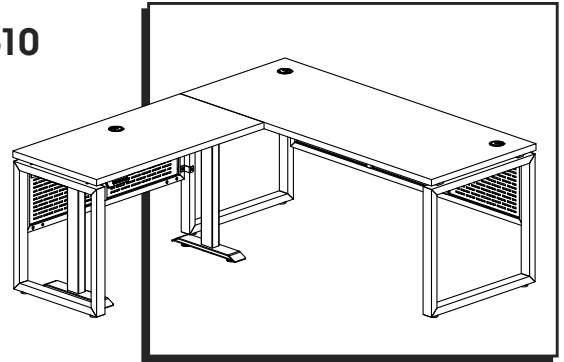


ULINE H-10357, H-10358

METRO COLLECTION

L-DESK WITH ADJUSTABLE HEIGHT RETURN

1-800-295-5510
 uline.com

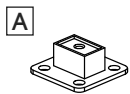


TOOLS NEEDED

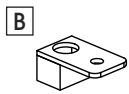


Two Person Assembly
Recommended

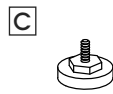
DESK HARDWARE



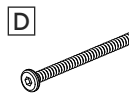
A
Leg Frame
Connector x 4



B
Modesty Panel
Connector x 2



C
Adjustable
Glide x 4



D
M6 x 55 mm
Bolt x 4



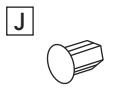
E
M6 x 45 mm
Bolt x 6



F
M6 x 15 mm
Bolt x 20

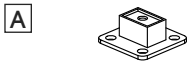


G
Grommet Cap x 2

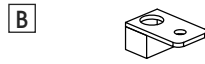


J
Leg Cap x 6

L-DESK RETURN HARDWARE



A
Leg Frame Connector x 2



B
Modesty Panel Connector x 1



C
Adjustable Glide x 2



D
M6 x 55 mm Bolt x 2



E
M6 x 45 mm Bolt x 3



F
M6 x 15 mm Bolt x 32



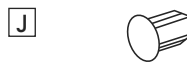
G
Grommet Cap x 1



H
Z Connector x 3



I
Flat Bracket x 2

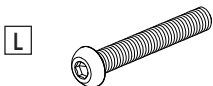


J
Leg Cap x 3



K
Hole Cap x 2

ADJUSTABLE HEIGHT BASE HARDWARE



L
M6 x 40 mm Bolt x 8



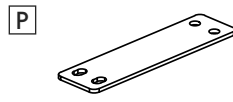
M
M6 x 16 mm Bolt x 22



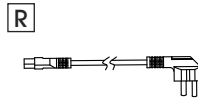
N
M6 x 10 mm Bolt x 12



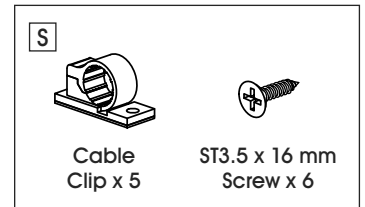
O
ST5 x 16 mm Screw x 2



P
Foot Bracket x 1



R
Power Cord x 1

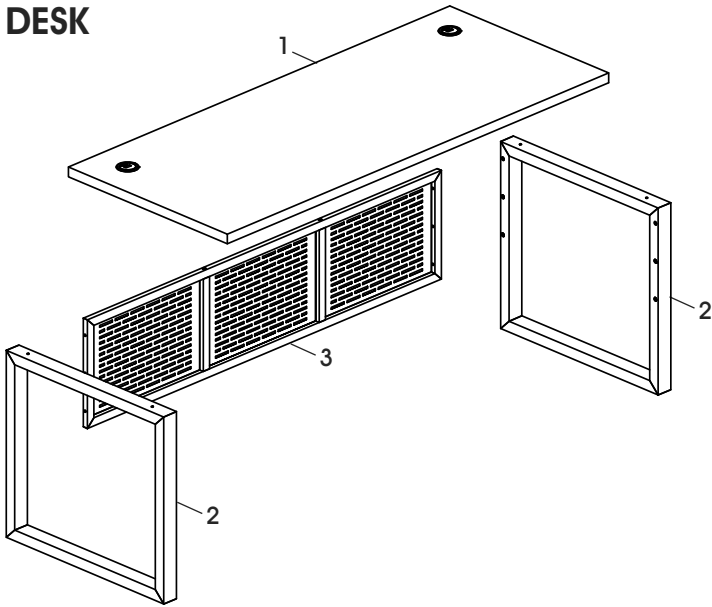


S
Cable
Clip x 5

ST3.5 x 16 mm
Screw x 6

DESK AND L-DESK RETURN PARTS

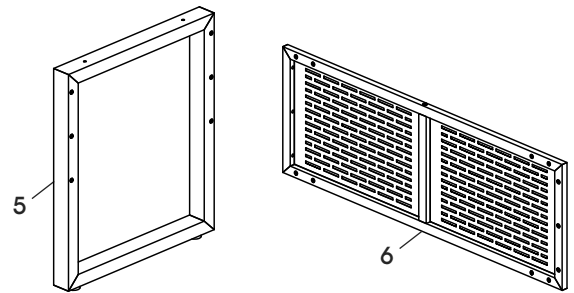
DESK



DESK PARTS

#	DESCRIPTION	QTY.
1	Desktop	1
2	Leg Frame	2
3	Modesty Panel	1

L-DESK RETURN FRAME

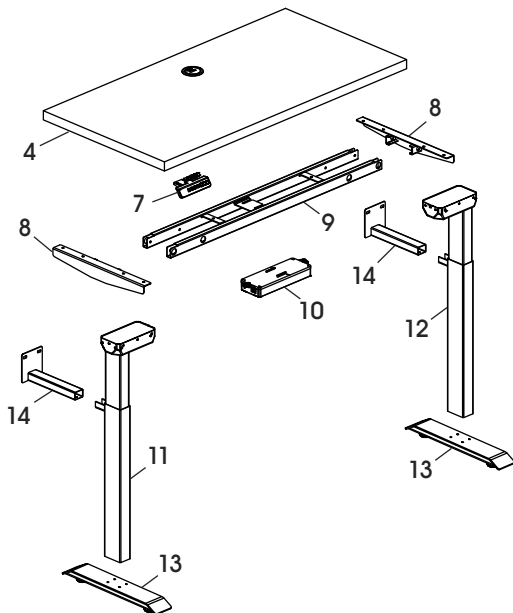


L-DESK RETURN FRAME PARTS

#	DESCRIPTION	QTY.
5	Return Leg Frame	1
6	Return Modesty Panel	1

ADJUSTABLE HEIGHT BASE PARTS





ADJUSTABLE HEIGHT BASE



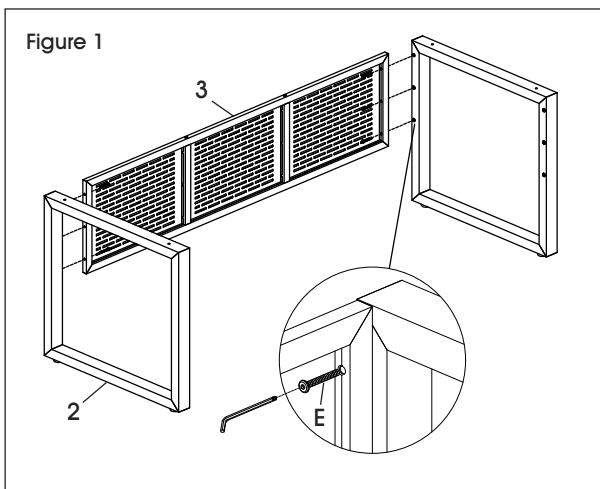
ADJUSTABLE HEIGHT BASE PARTS

#	DESCRIPTION	QTY.
4	Return Desktop	1
7	Programmable Handset	1
8	Top Support Bracket	2
9	Center Frame	1
10	Control Box	1
11	Left Lifting Column	1
12	Right Lifting Column	1
13	Foot with Leveling Glides	2
14	Modesty Panel Support Bracket	2

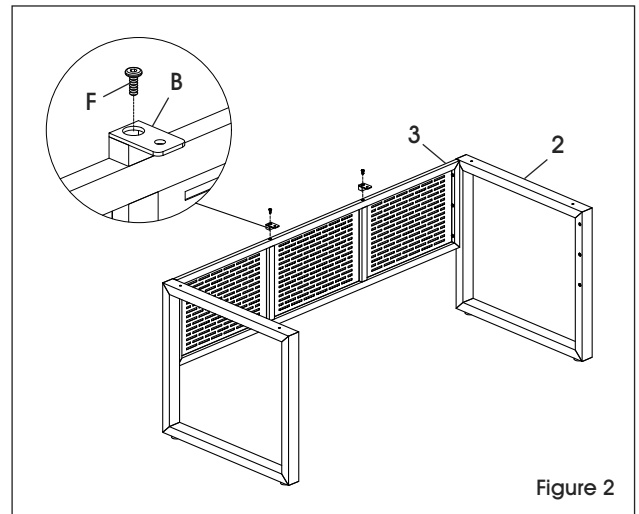
DESK ASSEMBLY

-  **NOTE:** Count and inspect all pieces before disposing of any carton or packing materials.
-  **NOTE:** Assemble unit on a smooth, non-marring surface to prevent scratching.
-  **NOTE:** Tighten all bolts using 4 mm Allen wrench.
-  **NOTE:** Adjustable glides and grommet caps come pre-attached.

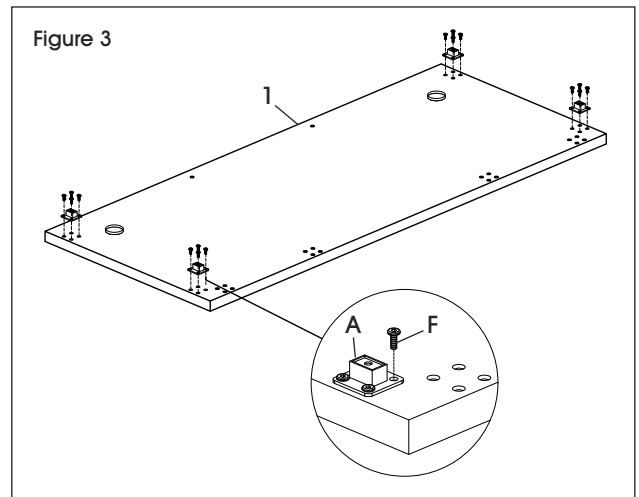
1. Align holes on one side of modesty panel (3) with holes in leg frame (2). Insert three M6 x 45 mm bolts (E) and tighten. Repeat on opposite side. (See Figure 1)



2. Align two modesty panel connectors (B) with holes in top of modesty panel (3). Attach using two M6 x 15 mm bolts (F) and tighten. (See Figure 2)

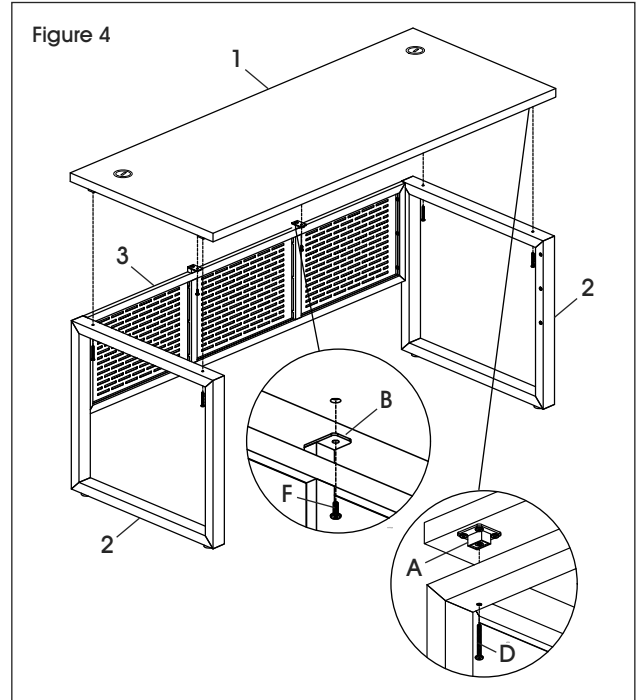


3. Place desktop (1) upside down. Align leg frame connector (A) with holes in corner of desktop. Insert four M6 x 15 mm bolts (F) and tighten. Repeat for three remaining leg frame connectors. (See Figure 3)



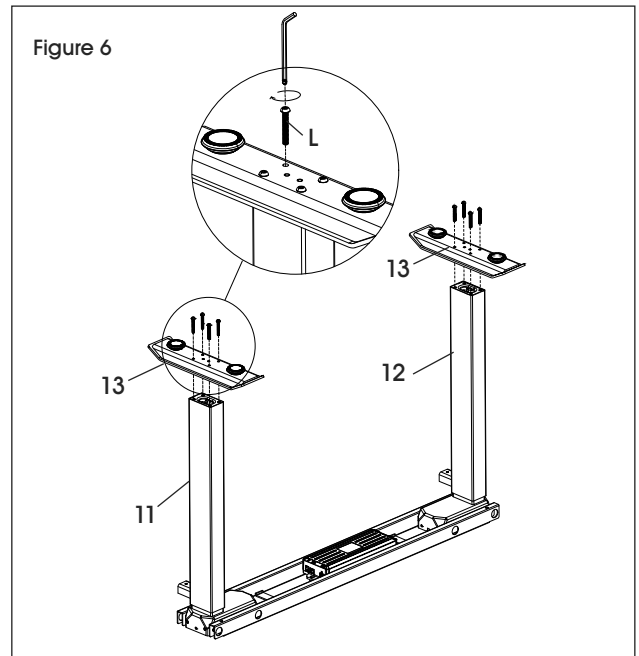
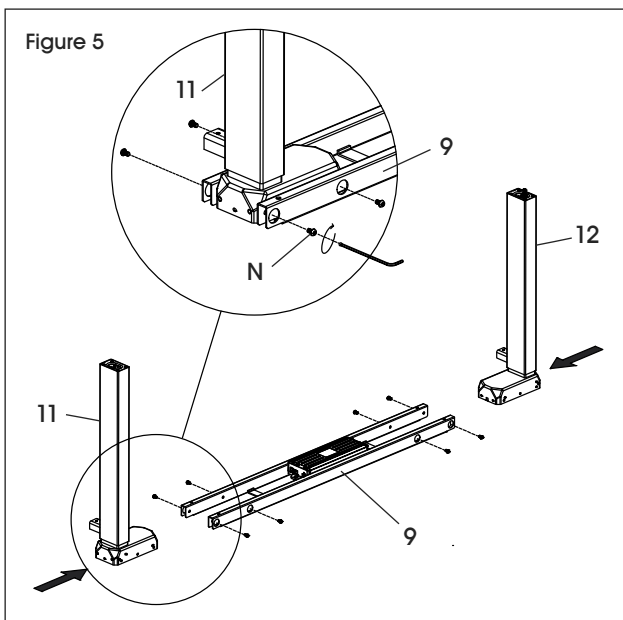
DESK ASSEMBLY CONTINUED

4. With second person, carefully lift the desktop (1) over assembled frame and align holes in the frame with holes in the leg frame connectors (A). Insert four M6 x 55 mm bolts (D) through leg frames into leg frame connectors and tighten. Insert two M6 x 15 mm bolts (F) through modesty panel connectors (B) into rear of desktop and tighten. (See Figure 4)
5. Set desk aside. Adjustable height base and L-desk return frame will be assembled next.



L-DESK RETURN AND ADJUSTABLE HEIGHT BASE ASSEMBLY

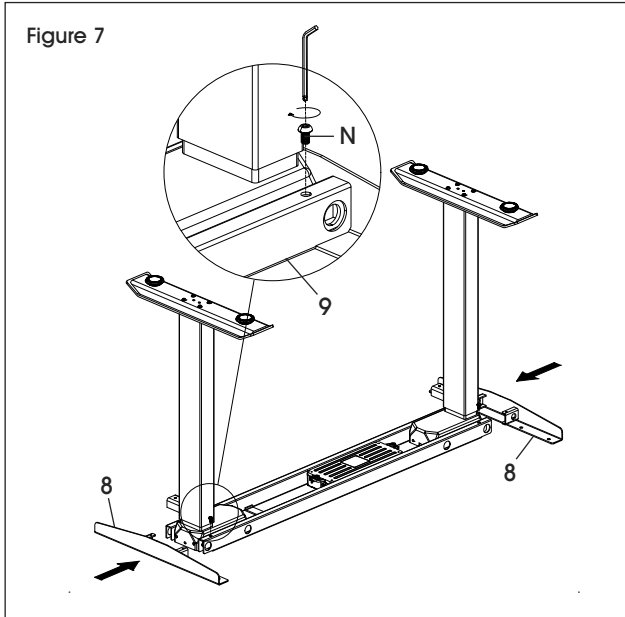
1. Place the lifting columns (11, 12) and center frame (9) upside down. Attach each lifting column to the center frame using four M6 x 10 mm bolts (N). (See Figure 5)
2. Align holes in foot (13) with lifting column (11, 12). Insert four M6 x 40 mm bolts (L) and tighten. Repeat for opposite foot and lifting column. (See Figure 6)



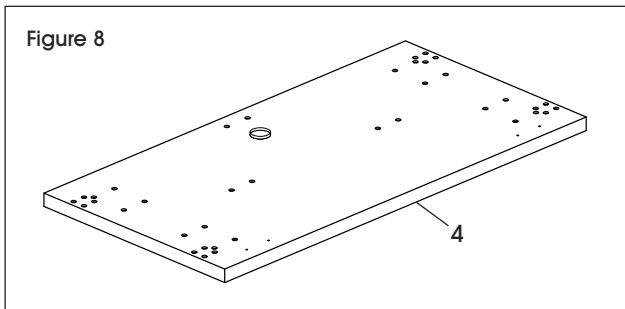
L-DESK RETURN AND ADJUSTABLE HEIGHT BASE ASSEMBLY CONTINUED

3. Insert top support brackets (8) into ends of center frame (9). Attach each bracket with two M6 x 10 mm bolts (N). (See Figure 7)

 **NOTE:** Steel lip with four holes on top support bracket should be facing down.




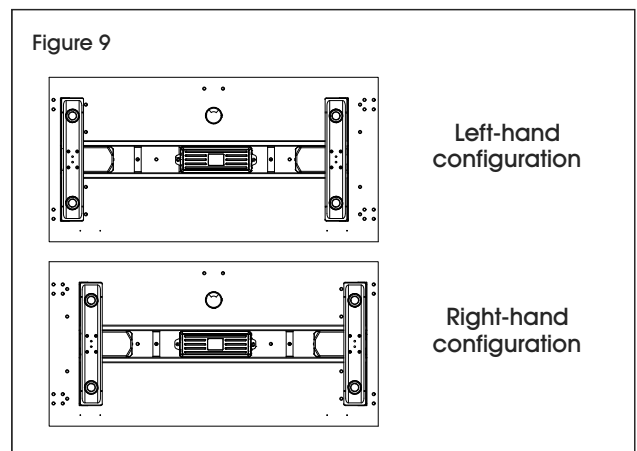
4. Place return desktop (4) on a smooth, non-marring surface to prevent scratching. Holes in the return desktop should be facing up. (See Figure 8)



5. Place base on top of return desktop with brackets extending from lifting columns facing the grommet hole. Determine whether L-desk will be set up for right-hand or left-hand configuration. This will impact whether the set of holes in the left or right side of return desktop will be used to attach the base. (See Figure 9)

 **NOTE:** For left-hand configuration, top support brackets should be aligned with set of holes on left side of return desktop. (See Figure 9)

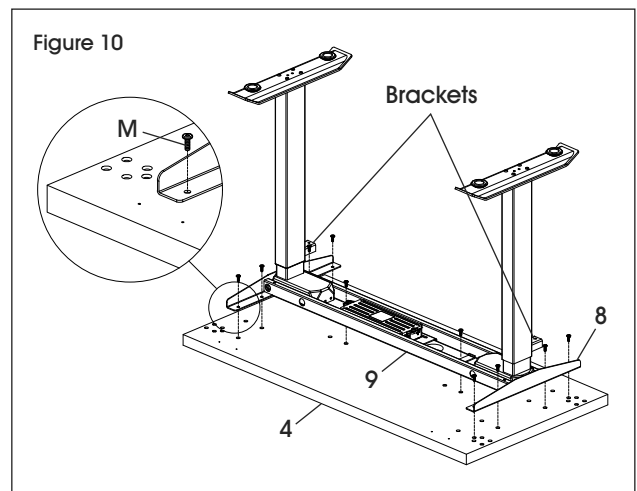
 **NOTE:** For right-hand configuration, top support brackets should be aligned with set of holes on right side of return desktop. (See Figure 9)



6. Insert 10 M6 x 16 mm bolts (M) and tighten to attach top support brackets (8) and center frame (9) to return desktop (4). (See Figure 10)


 **NOTE:** Assembly of a right-hand L-desk is shown in the following figures.

 **NOTE:** Brackets extending from lifting desktop should face edge of the return desktop with grommet hole.

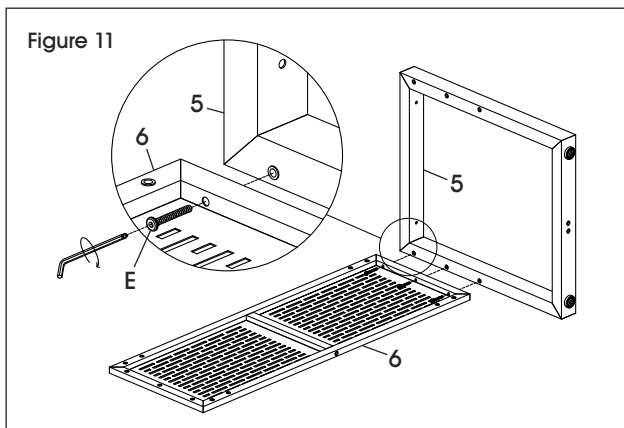


L-DESK RETURN AND ADJUSTABLE HEIGHT BASE ASSEMBLY CONTINUED

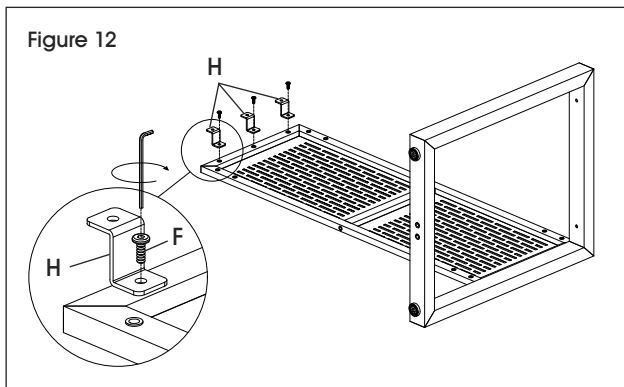
7. Set assembled adjustable height base aside. L-desk return frame will be assembled next.

 **NOTE:** Based on desired L-desk configuration, return leg frame (5) will need to be set up to match. Assembly of a right-hand L-desk is shown in the following figures. For left-hand L-desk configuration, the opposite sides will be connected.


8. Align holes on right side of return modesty panel (6) with the holes in the left side of return leg frame (5). Insert three M6 x 45 mm bolts (E) and tighten. (See Figure 11)




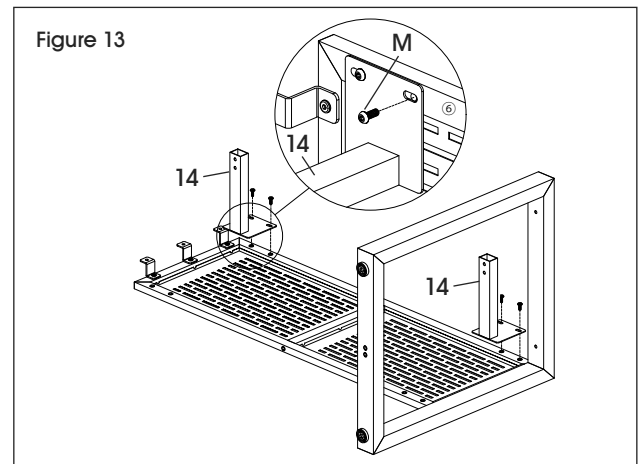
9. Align holes on the three Z connectors (H) with holes in the left side of return modesty panel (6). Insert three M6 x 15 mm bolts (F) and loosely tighten. (See Figure 12)



10. Align holes in the plates of the modesty panel support brackets (14) with holes in the top of return modesty panel (6). Insert four M6 x 16 mm bolts (M) and tighten. (See Figure 13)

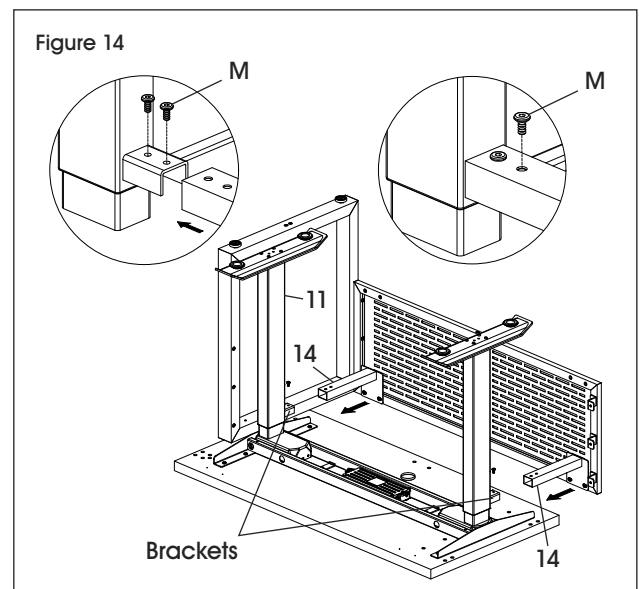
 **NOTE:** Holes in modesty panel support brackets are slotted to allow for a small gap between the main desktop and return desktop. For right-hand configuration, bolts should be tightened to the right side of the slotted holes.

 **NOTE:** For left-hand configuration, bolts should be tightened to the left side of slotted holes.



11. Using two people, carefully lift return frame and slide modesty panel support brackets (14) over brackets extending from lifting columns (11, 12). Insert four M6 x 16 mm bolts (M) and tighten. (See Figure 14)

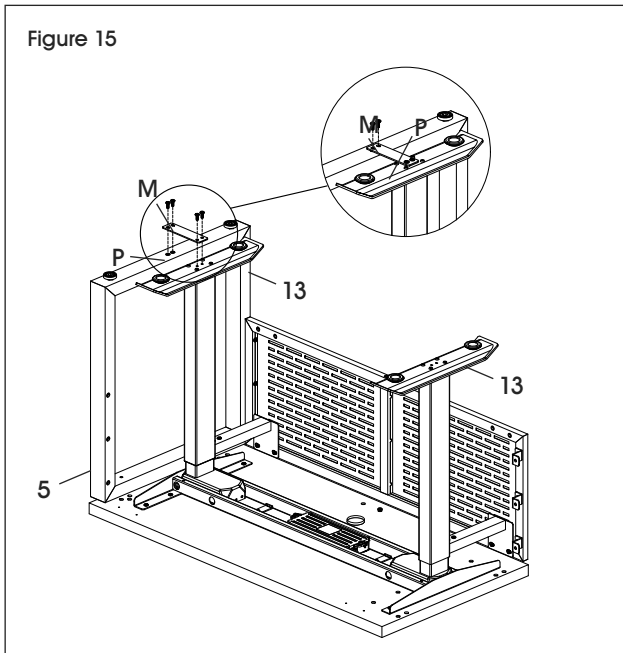
 **NOTE:** Second person should keep return frame lifted for easier attachment of the modesty panel support brackets.



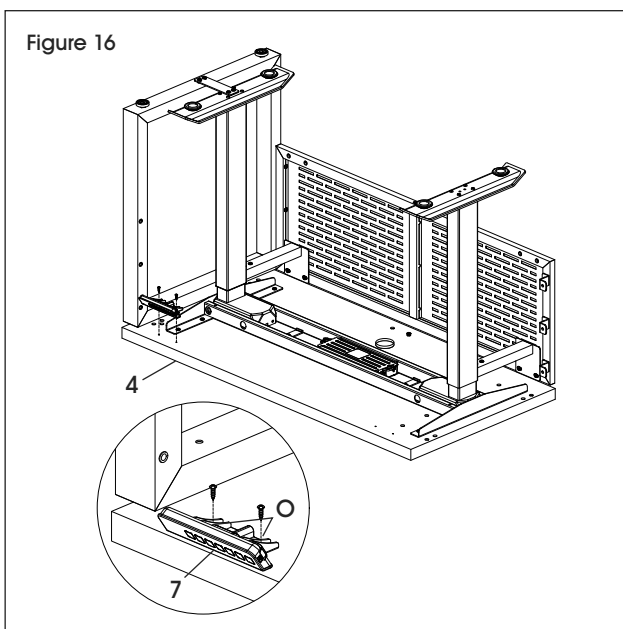
L-DESK RETURN AND ADJUSTABLE HEIGHT BASE ASSEMBLY CONTINUED

12. Align holes in foot bracket (P) with holes on return leg frame and foot (13). Insert four M6 x 16 mm bolts (M) and tighten. (See Figure 15)

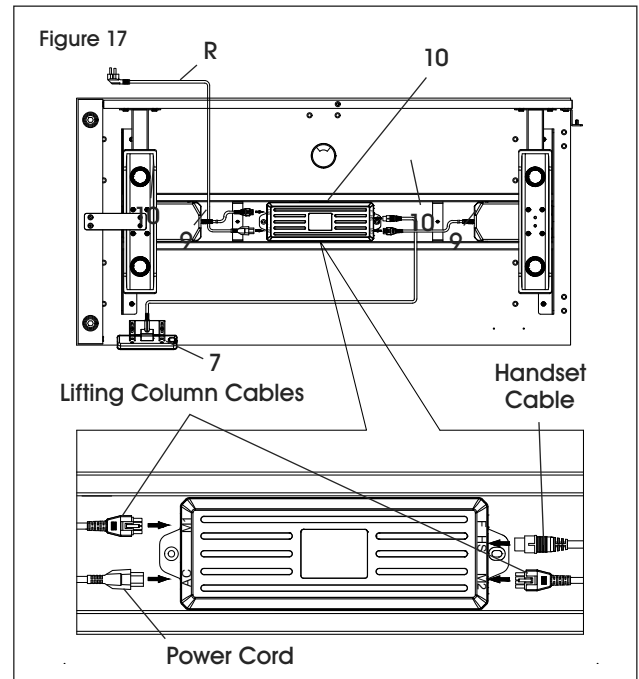
 **NOTE:** Second person should keep return frame lifted to correctly align the foot bracket.




13. Place programmable handset (7) on front edge of return desktop (4). Attach using a drill and two ST5 x 16 mm screws (O). (See Figure 16)



14. Plug the programmable handset (7) and lifting column cables into the control box. (See Figure 17)

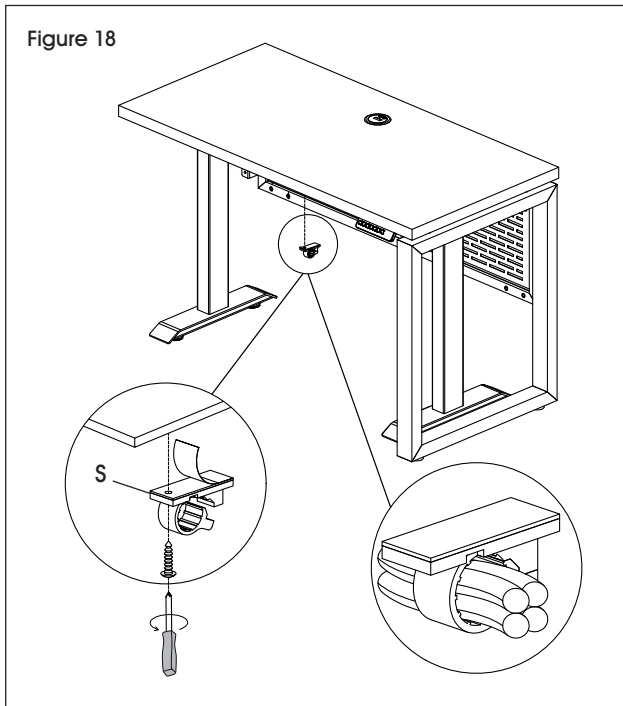


15. Using three people, carefully rotate assembled return toward the modesty panel and flip onto feet.

 **NOTE:** It is recommended to hold the return desktop and adjustable height base simultaneously while flipping the unit for better stability.

L-DESK RETURN AND ADJUSTABLE HEIGHT BASE ASSEMBLY CONTINUED

16. Place cable clips (S) in desired location to neatly organize cables underneath the return desktop. Cable clips can be attached using adhesive or ST3.5 x 16 mm screws. (See Figure 18)



17. While the desk and adjustable height return are separated, place them in the desired location.

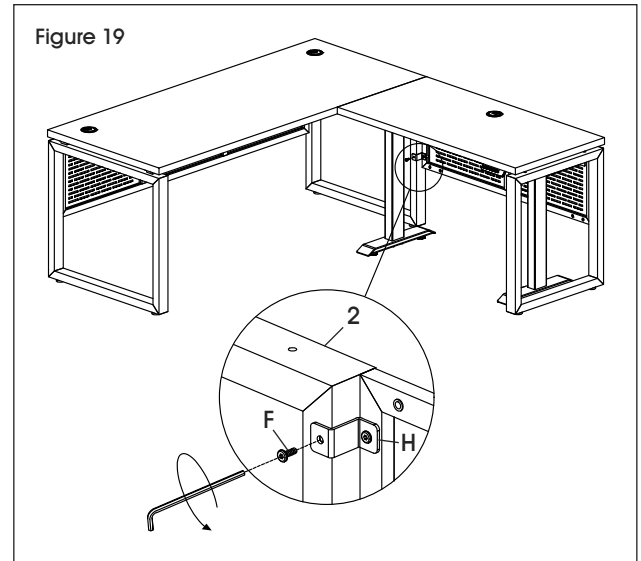


CAUTION! Adjustable height L-desk should not be moved once it is fully assembled.

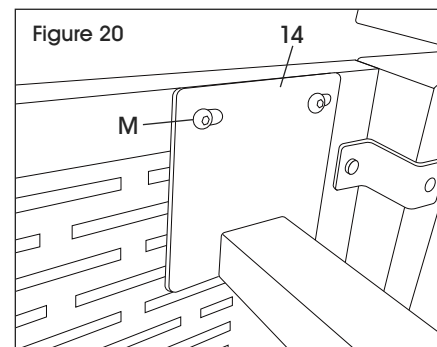
18. Position the adjustable height return on right end of the desk. Align the holes on the Z connectors (H) with the holes inside the right leg (2). Insert three M6 x 15 mm bolts (F) and fully tighten all bolts. (See Figure 19)



NOTE: For left-hand configuration, position adjustable height return on left end of desk.



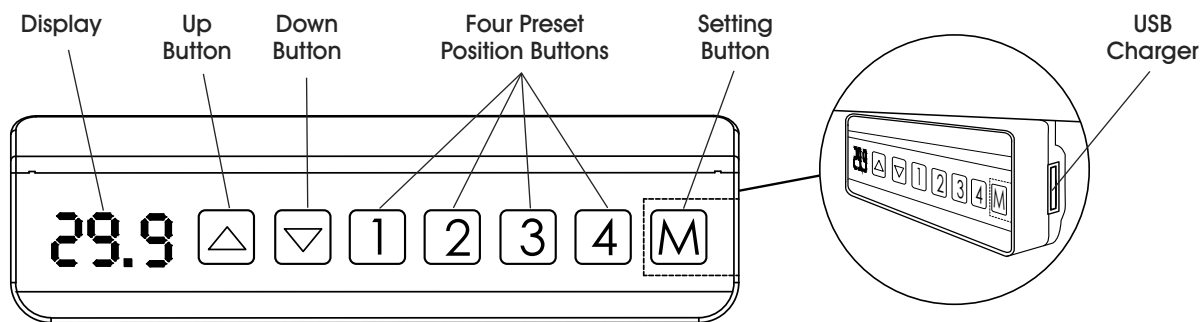
19. Plug in power cord and raise/lower the return top to ensure proper alignment. If there are alignment issues, raise return top and loosen modesty panel support bracket bolts (M). Align return top with desktop and retighten bolts. (See Figure 20)



20. Insert three leg caps (J) into side of return leg frame and one leg cap into top center edge of return modesty panel. Insert two hole caps (K) into top of return leg frame.
21. Adjustable height L-desk is now completely assembled.

OPERATION

CONTROLS



CAUTION! Ensure there are no obstacles in the desk's height adjustment path, and ensure the desk is not touching any walls.



CAUTION! Ensure all cords are at the appropriate length to accommodate changes in height.

HEIGHT ADJUSTMENT

- Press the up button to raise the desktop.
- Press the down button to lower the desktop.
- Release button to stop movement.



CAUTION! To avoid overheating, do not move the desk up and down continuously for over two minutes within any 20-minute period. If the desk overheats, HOT will be displayed on the handset. Stop using the desk for 20 minutes and let it cool down.

PROGRAMMING PRESET HEIGHT

- Use up and down buttons to move desk to the desired position.
- Press the "M" setting button to display "5-". Press the desired preset position button to store the preset height. "5-1", "5-2", etc. will be displayed.
- Up to four presets can be programmed.

PROGRAMMING HEIGHT LIMITS



NOTE: Desk is equipped with a height limit function. This function allows upper and lower height limits to be programmed. This can be used to prevent collisions with objects above and below the desk, such as file pedestals and overhead cabinets.



NOTE: Lower height limit is factory preset to be level with main desktop and should not need to be adjusted.



NOTE: Always program height limits before programming preset heights.

- Use up and down buttons to move desk to the desired upper height limit.
- To set the upper height limit, press "M" setting button to display "5-". Press the up button and the display will flash once. Press and hold the "M" setting button until "999" is displayed. The upper height limit is now set.
- Use up and down buttons to move desk to the desired lower height limit.
- To set the lower height limit, press the "M" setting button to display "5-". Press the down button and the display will flash once. Press and hold the "M" setting button until "000" is displayed. The lower height limit is now set.
- To cancel the height limits, press the "M" setting button to display "5-". Press and hold the "M" button until "555" is displayed. The height limits are now canceled.

OPERATION CONTINUED

CHANGING HEIGHT UNITS

- To change the units, users need to reset the desk so the handset reads "P57". Then, they should hold "2" for 5 seconds.
- When height is displayed in centimeters, handset will show "10.3".
- When height is displayed in inches, handset will show "10.4".


LOCKING OPERATION

- To lock the desk, press the "M" button to display "5-". Hold the "M" button for 10 seconds until "LOC" is displayed.
- To unlock the desk, press and hold the "M" button for 10 seconds while "LOC" is displayed. Once the display shows numbers, the desk is unlocked.

RESET

- If the desk is not operating normally or the handset reports an error (E01 - E13), it may need to be reset.
- Lower desk until it reaches it's lowest height. Press and hold the down button until "P57" flashes on the display. Release the down button.
- Press and hold the down button until the desk reaches its lowest height, slightly raises, then stops.
- The handset should display the height. It is now ready to use.

TROUBLESHOOTING

OPERATING ISSUES	RECOMMENDATIONS
<i>HOT</i> is displayed on handset.	Desk is overheated. Stop using desk for 20 minutes and let it cool down.
Height showing in centimeters instead of inches on handset.	To change the units, reset the desk so the handset reads "P57". Then, hold "2" for 5 seconds. <ul style="list-style-type: none"> • When height is displayed in centimeters, handset will show "10.3". • When height is displayed in inches, handset will show "10.4".
Desk does not go up or down, but handset displays digits that are flashing.	Faulty height limits may be programmed and should be canceled. Press the "M" setting button to display "5-" on the handset. Press and hold the "M" setting button again until "555" is displayed. The height limits are now canceled.
Displays 888 on handset.	Programmable handset error. Contact Uline Customer Service at 1-800-295-5510 to send replacement handset at no charge.  NOTE: Desk must be within 60-day warranty.

TROUBLESHOOTING CONTINUED

OPERATING ISSUES	RECOMMENDATIONS
Desk does not go up or down.	<p>Check all connections and surroundings:</p> <ul style="list-style-type: none"> Ensure there are no obstacles in the desk's height adjustment path, and ensure the desk is not touching any walls or placed on uneven surface. Ensure all cords are at the appropriate length to accommodate changes in height. Ensure all motor cables are plugged into control box. Ensure power cord is plugged into control box and a power outlet. Unplug the power cord for one minute, plug back in, and follow the reset process below. <p>Reset the desk:</p> <ul style="list-style-type: none"> Ensure the handset displays digits before attempting a reset. Press and hold the down button until "PST" flashes on the display. Release the down button. Press and hold the down button until the desk reaches its lowest height, slightly raises, then stops. The handset should display the height. It is now ready to use. <p>If problem persists:</p> <ul style="list-style-type: none"> Switch motor cables at control box and attempt another reset. Ensure desk is unlocked. <ul style="list-style-type: none"> Press the "M" button to display "S-". Hold the "M" button for 10 seconds until "LOC" is displayed. The desk is now locked. Repeat the process to unlock. Cancel any height limits. <ul style="list-style-type: none"> Press the "M" button to display "S-". Press and hold the "M" button. The height limit is canceled when "SSS" is displayed. <p>If problem persists after all recommendations above have been attempted, contact Uline Customer Service at 1-800-295-5510 to send a replacement control box at no charge.</p> <p> NOTE: Desk must be within 60-day warranty.</p>
Desk goes in the opposite direction when pressing the up or down button.	
Columns do not go up evenly.	
Displays <i>E01</i> – <i>E13</i> on handset.	



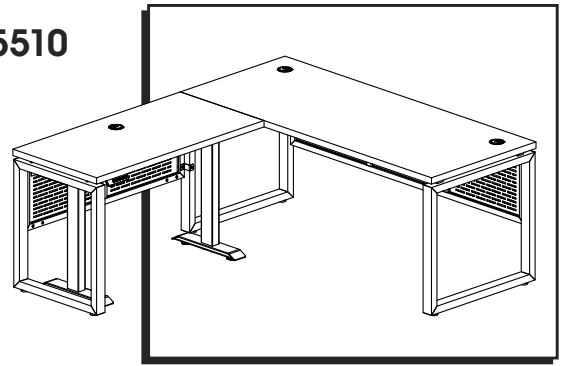
1-800-295-5510
uline.com

ULINE H-10357, H-10358

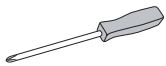
COLECCIÓN METROPOLITANA

800-295-5510
uline.mx

ESCRITORIO EN L CON RETORNO DE ALTURA AJUSTABLE



HERRAMIENTAS NECESARIAS



Desarmador de Cruz



Llave Allen de 4 mm (incluida)

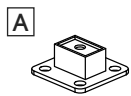


Taladro

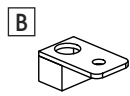


Se recomienda Armar Entre Dos Personas

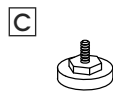
TORNILLERÍA PARA ESCRITORIO



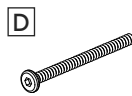
4 Conectores para Armazón de las Patas



2 Conectores para Recato



4 Tapas Niveladoras



4 Pernos M6 x 55 mm



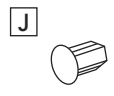
6 Pernos M6 x 45 mm



20 Pernos M6 x 15 mm



2 Tapas de Ojal

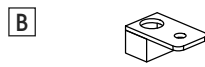


6 Tapas para Pata

TORNILLERÍA DEL RETORNO PARA ESCRITORIO EN L



2 Conectores de los Armazones de las Patas



1 Conector para Recato



2 Tapas Niveladoras



2 Pernos M6 x 55 mm



3 Pernos M6 x 45 mm



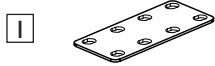
32 Pernos M6 x 15 mm



1 Tapa de Ojal



3 Conectores en Z



2 Soportes Planos

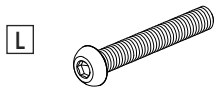


3 Tapas para Pata



2 Tapas para Orificio

TORNILLERÍA DE LA BASE DE ALTURA AJUSTABLE



8 Pernos M6 x 40 mm



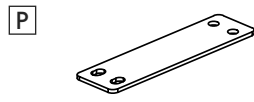
22 Pernos M6 x 16 mm



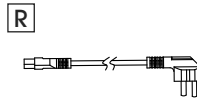
12 Pernos M6 x 10 mm



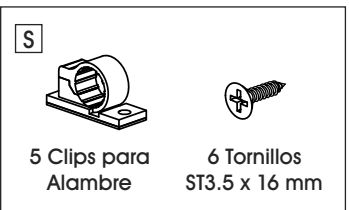
2 Pernos ST5 x 16 mm



1 Soporte para Pata



1 Cable Eléctrico

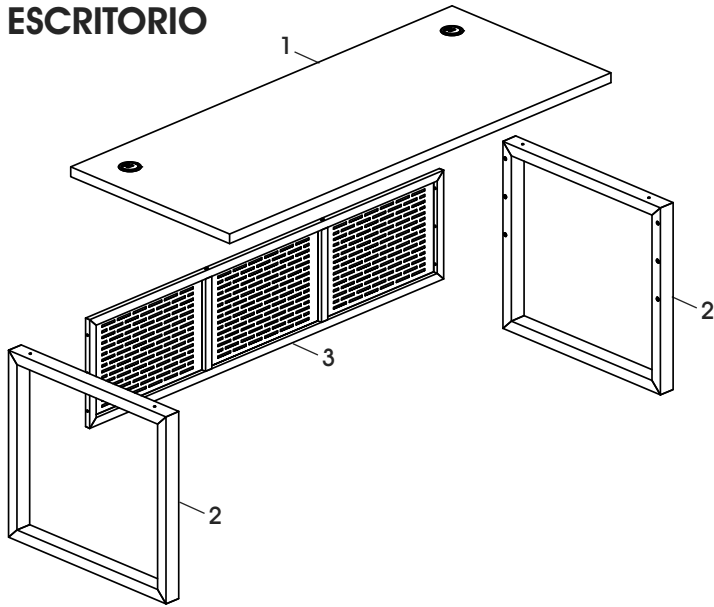


5 Clips para Alambre

6 Tornillos ST3.5 x 16 mm

PARTES DEL ESCRITORIO Y RETORNO PARA ESCRITORIO EN L

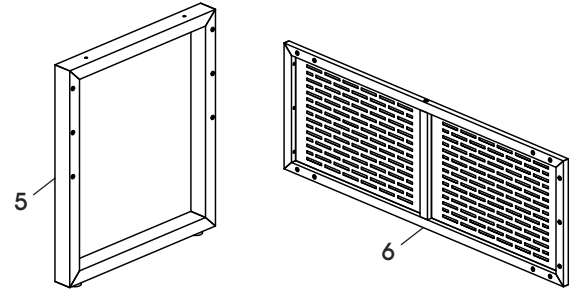
ESCRITORIO



PARTES DEL ESCRITORIO

#	DESCRIPCIÓN	CANT.
1	Escritorio	1
2	Armazón de la Pata	2
3	Recato	1

ARMAZÓN DEL RETORNO PARA ESCRITORIO EN L

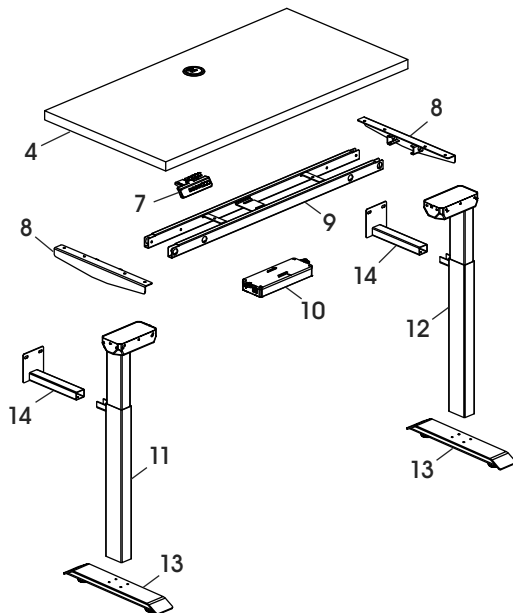


PARTES DEL ARMAZÓN DEL RETORNO DEL ESCRITORIO EN L

#	DESCRIPCIÓN	CANT.
5	Armazón de la Pata para Retorno	1
6	Recato del Retorno	1

PARTES DE LA BASE DE ALTURA AJUSTABLE





BASE DE ALTURA AJUSTABLE



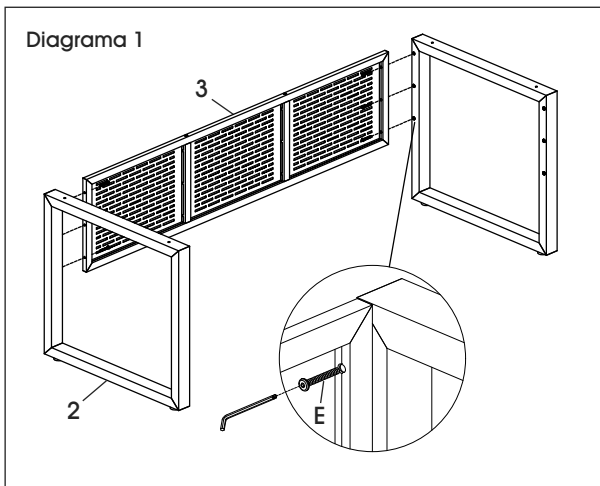
PARTES DE LA BASE DE ALTURA AJUSTABLE

#	DESCRIPCIÓN	CANT.
4	Cubierta del Retorno para Escritorio	1
7	Control de Programación	1
8	Soporte Superior	2
9	Armazón Central	1
10	Caja de Control	1
11	Columna de Elevación Izquierda	1
12	Columna de Elevación Derecha	1
13	Pata con Tapas Niveladoras	2
14	Brazo de Soporte para Recato	2

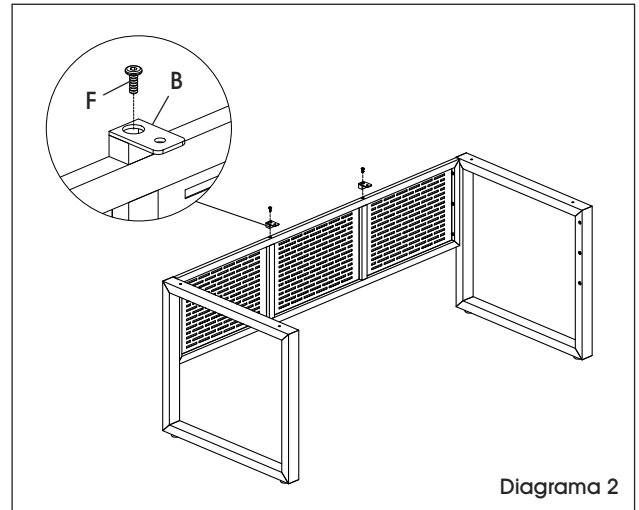
ENSAMBLE DEL ESCRITORIO

-  **NOTA:** Cuente e inspeccione todas las piezas antes de desechar cualquier caja o material de empaque.
-  **NOTA:** Ensamble la unidad sobre una superficie lisa que no deje marcas para evitar rayones.
-  **NOTA:** Apriete todos los pernos con la llave Allen de 4 mm.
-  **NOTA:** Las tapas niveladoras y de los ojales vienen preinstaladas.

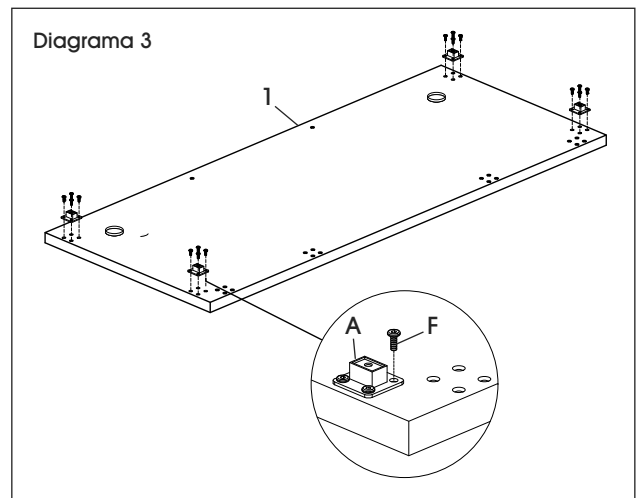
1. Alinee los orificios en un lado del recato (3) con los orificios del armazón de la pata (2). Inserte tres pernos M6 x 45 mm (E) y apriételos. Repita este paso en el lado opuesto. (Vea Diagrama 1)



2. Alinee los dos conectores para recato (B) con los orificios en la parte superior del recato (3). Fije utilizando dos pernos M6 x 15 mm (F) y apriételos. (Vea Diagrama 2)

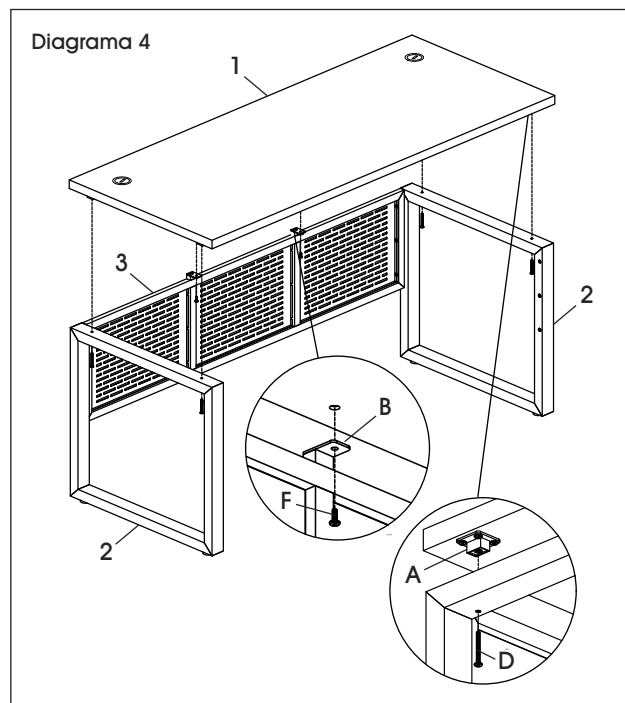


3. Voltee la cubierta (1) hacia abajo. Alinee el conector del armazón de la pata (A) con los orificios del extremo de la cubierta. Inserte cuatro pernos M6 x 15 mm (F) y apriételos. Repita para los tres conectores para armazón de las patas restantes. (Vea Diagrama 3)



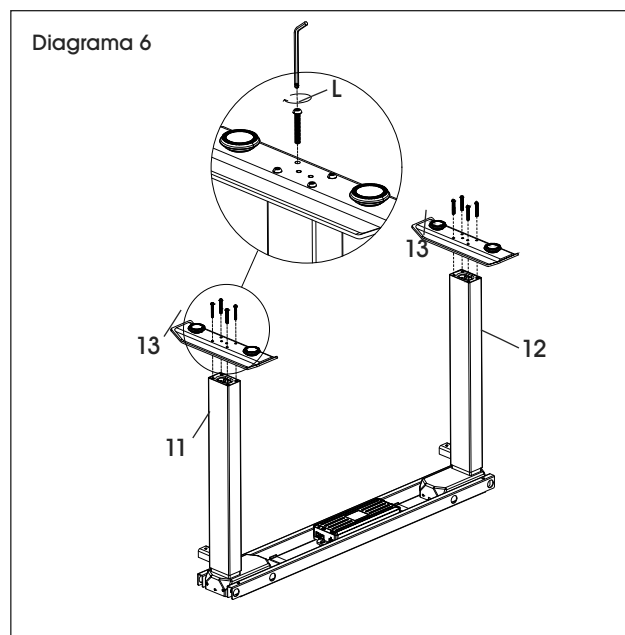
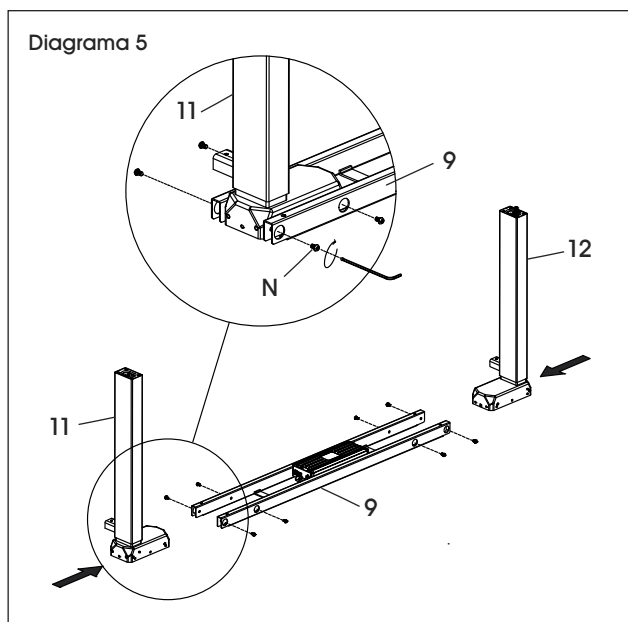
CONTINUACIÓN DEL ENSAMBLE DEL ESCRITORIO

4. Con ayuda de otra persona, levante con cuidado la cubierta (1) sobre el armazón ensamblado y alinee los orificios del armazón con los orificios en los conectores para armazón de las patas (A). Inserte cuatro pernos M6 x 15 mm (D) a través de los conectores y los armazones de las patas y apriételos. Inserte dos pernos M6 x 15 mm (F) a través de los conectores para recato (B) hacia la parte posterior del escritorio y apriételos. (Vea Diagrama 4)
5. Coloque el escritorio a un lado. La base de altura ajustable y el armazón del retorno para escritorio en L se ensamblará a continuación.



ENSAMBLE DEL RETORNO DEL ESCRITORIO EN L Y BASE DE ALTURA AJUSTABLE

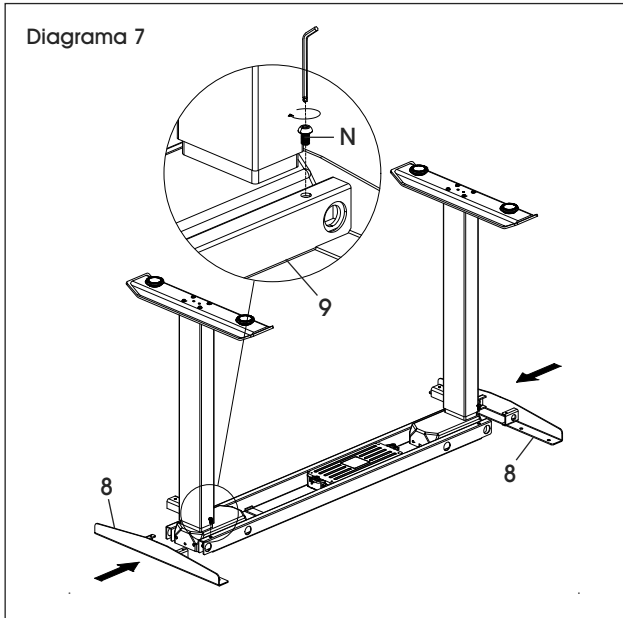
1. Coloque las columnas de elevación (11, 12) y el armazón central (9) boca abajo. Fije cada columna de elevación al armazón central usando cuatro pernos M6 x 10 mm (N). (Vea Diagrama 5)
2. Alinee los orificios de las patas (13) con la columna de elevación (11 o 12). Inserte cuatro pernos M6 x 40 mm (L) y apriete. Repita con la pata y columna de elevación opuestas. (Vea Diagrama 6)



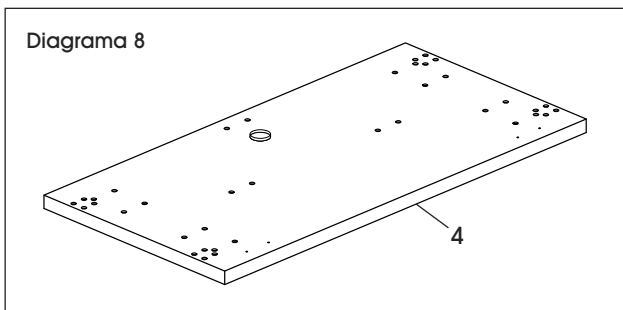
CONTINUACIÓN DE ENSAMBLE DEL RETORNO DEL ESCRITORIO EN L Y BASE DE ALTURA AJUSTABLE

3. Inserte los brazos de soporte superiores (8) en los extremos del armazón central (9). Fije cada brazo con dos pernos M6 x 10 mm (N). Repita la operación en el extremo opuesto. (Vea Diagrama 7)


 **NOTA:** El reborde de acero con tres orificios en el soporte superior debe estar hacia abajo.




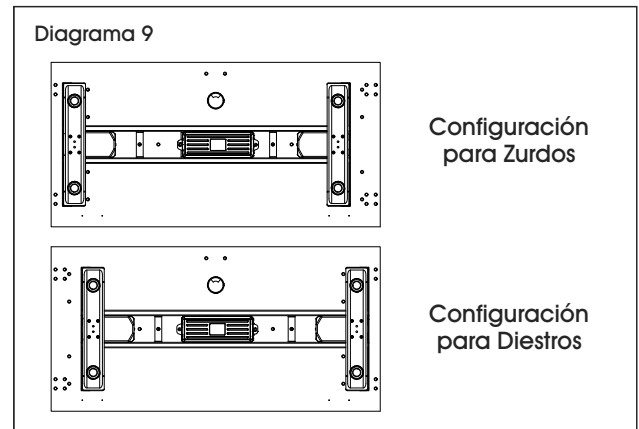
4. Coloque la cubierta del retorno (4) sobre una superficie lisa que no deje marcas para evitar rayones. Los orificios de la cubierta del retorno deben apuntar hacia arriba. (Vea Diagrama 8)




5. Coloque la base encima de la cubierta del retorno con los soportes que se extienden de las columnas de elevación hacia el orificio para ojal. Determine si el escritorio L estará configurado para zurdos o diestros. Esto determinará si el set de orificios del lado izquierdo o derecho de la cubierta del retorno se utilizará para fijar la base. (Vea Diagrama 9)


 **NOTA:** Para la configuración para zurdos, los soportes superiores deben estar alineados con el set de orificios del lado derecho de la cubierta del retorno. (Vea Diagrama 9)

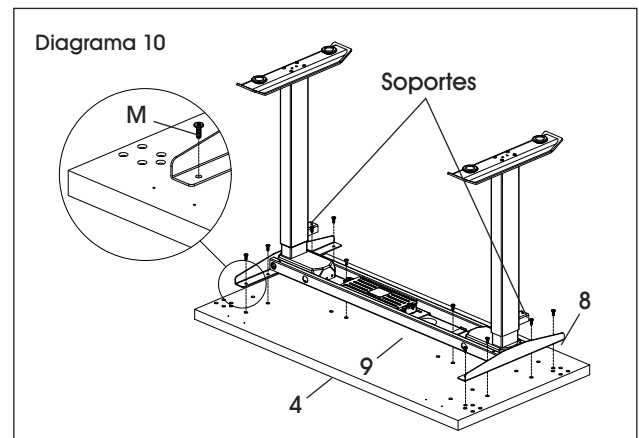
 **NOTA:** Para la configuración para diestros, los soportes superiores deben estar alineados con el set de orificios del lado izquierdo de la cubierta del retorno. (Vea Diagrama 9)



6. Inserte 10 pernos M6 x 16 mm (M) y apriete para fijar los brazos de soporte superiores (8) y el armazón central (9) a la cubierta del retorno (4). (Vea Diagrama 10)


 **NOTA:** Se muestra el ensamble de un escritorio en L para diestros en los siguientes diagramas.

 **NOTA:** Los soportes que se extienden de las columnas de elevación deben apuntar hacia el borde de la cubierta del retorno con el orificio para ojal.

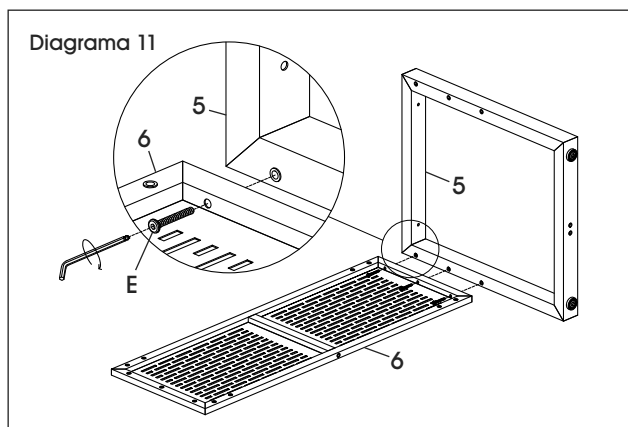


CONTINUACIÓN DE ENSAMBLE DEL RETORNO DEL ESCRITORIO EN L Y BASE DE ALTURA AJUSTABLE

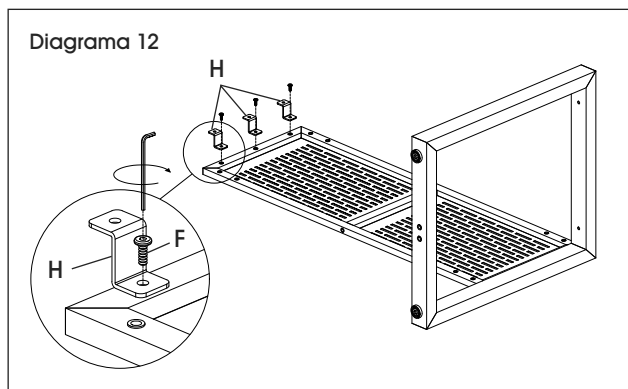
7. Deje la base de altura ajustable ensamblada a un lado. El armazón del retorno para escritorio en L se ensamblará después.

 **NOTA:** Según la configuración de escritorio en L deseada, será necesario configurar el armazón del retorno para que coincida. Se muestra el ensamble de un escritorio en L para diestros en los siguientes diagramas. Para el ensamble de un escritorio en L para zurdos, se conectan los lados opuestos.


8. Alinee los orificios del lado derecho del recato del retorno (6) con los orificios del lado izquierdo del armazón de la pata para retorno (5). Inserte tres pernos M6 x 45 mm (E) y apriételos. (Vea Diagrama 11)




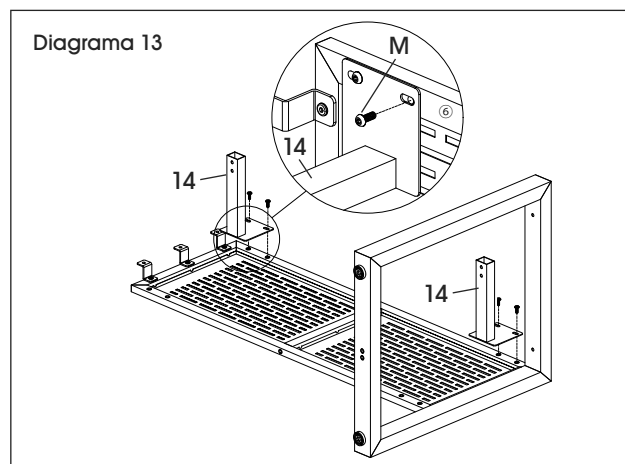
9. Alinee los orificios de los 3 conectores en Z (H) con los orificios del lado izquierdo del recato del retorno (6). Inserte tres pernos M6 x 15 mm (F) y apriételos ligeramente. (Vea Diagrama 12)




10. Alinee los orificios en la placa de los brazos de soporte para recato (14) con los orificios en la parte superior del recato (6). Inserte cuatro pernos M6 x 16 mm (M) y apriételos. (Vea Diagrama 13)

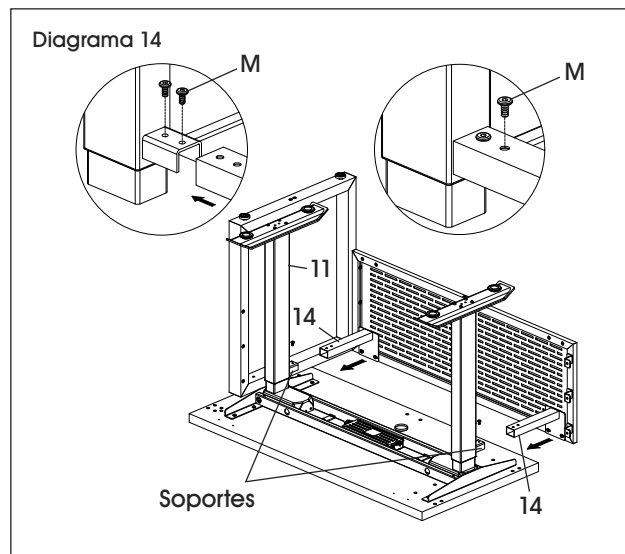
 **NOTA:** Los orificios de los brazos de soporte para recato son ranurados para permitir un espacio chico entre la cubierta principal y la cubierta del retorno. Para la configuración para diestros, los pernos se deben apretar al lado izquierdo a los orificios ranurados.

 **NOTA:** Para la configuración para zurdos, los pernos se deben apretar al lado derecho a los orificios ranurados.




11. Entre dos personas, levante el armazón del retorno con cuidado y deslice los brazos de soporte (14) sobre los soportes que se extienden de las columnas de elevación 11, 12). Inserte cuatro pernos M6 x 16 mm (M) y apriételos. (Vea Diagrama 14)

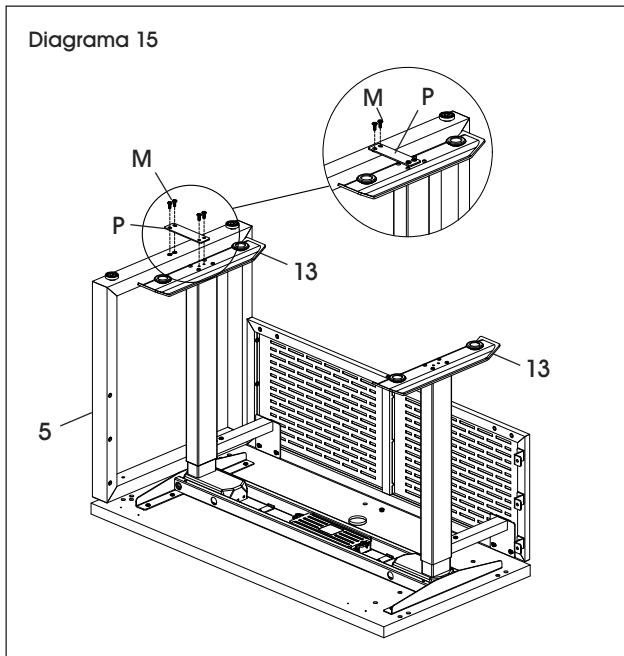
 **NOTA:** La segunda persona debe mantener el armazón del retorno levantado para fijar los brazos de soporte para recato más fácilmente.



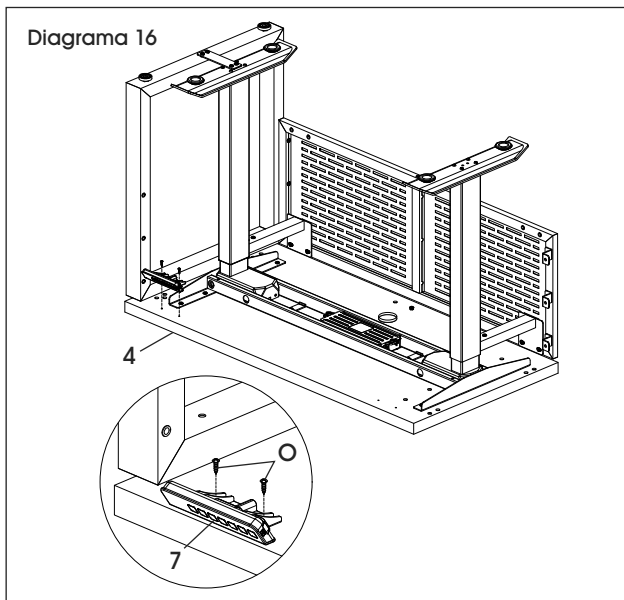
CONTINUACIÓN DE ENSAMBLE DEL RETORNO DEL ESCRITORIO EN L Y BASE DE ALTURA AJUSTABLE

12. Alinee los orificios del soporte para pata (P) con los orificios del armazón de la pata para retorno y la pata (13). Inserte cuatro pernos M6 x 16 mm (M) y apriételes. (Vea Diagrama 15)

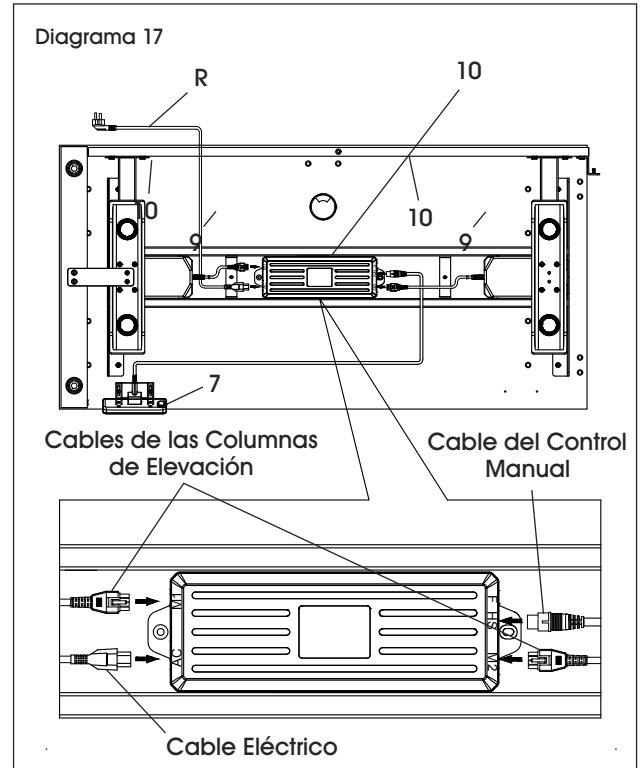
 **NOTA:** La segunda persona debe mantener el armazón del retorno levantado para alinear el soporte de pata.




13. Coloque el control manual programable (7) en la posición deseada en el borde frontal del escritorio (4). Fije utilizando el taladro y dos tornillos ST5 x 16 mm (O). (Vea Diagrama 16)



14. Conecte el control de programación (7) y los cables de las columnas de elevación a la caja de control. (Vea Diagrama 17)

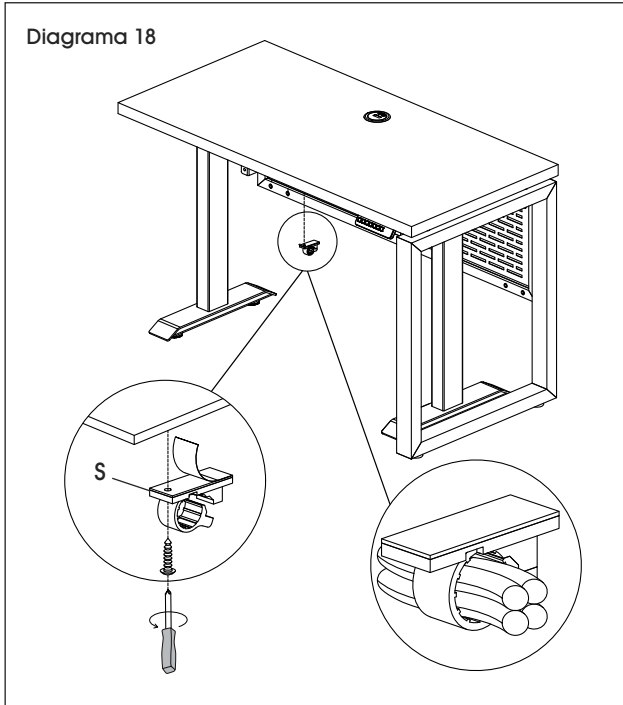


15. Entre tres personas, giren el retorno ensamblado con cuidado hacia el recato y pónganlo de pie.

 **NOTA:** Se recomienda sostener la cubierta de retorno y la base de altura ajustable simultáneamente mientras voltea la unidad para mejor estabilidad.

CONTINUACIÓN DE ENSAMBLE DEL RETORNO DEL ESCRITORIO EN L Y BASE DE ALTURA AJUSTABLE

16. Coloque los clips para cableado (S) en la ubicación deseada para organizar los cables debajo de la cubierta del retorno. Los clips para cableado se pueden fijar utilizando adhesivo y tornillos ST3.5 x 16 mm. (Vea Diagrama 18)



17. Coloque el escritorio y el retorno de altura ajustable en la ubicación deseada mientras se encuentran separados. No mueva el escritorio en L de altura ajustable una vez que haya sido ensamblado por completo.

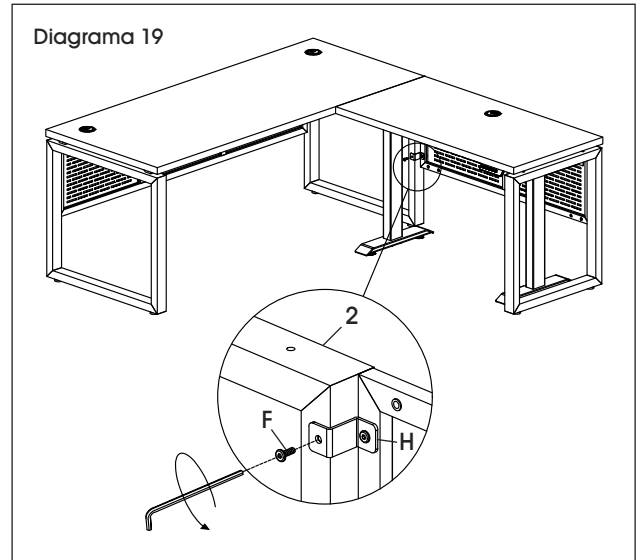


¡PRECAUCIÓN! No mueva el escritorio en L de altura ajustable una vez que haya sido ensamblado por completo.

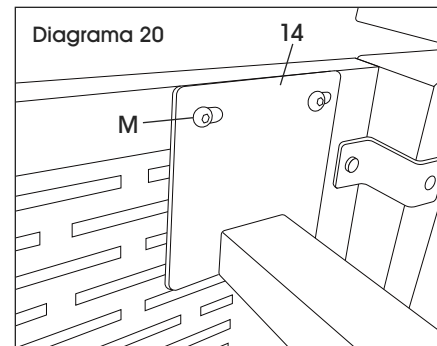
18. Posicione el retorno de altura ajustable en el extremo derecho del escritorio. Alinee los orificios de los conectores en Z con los que están dentro de la pata derecha izquierda (2). Inserte tres pernos M6 x 15 mm (F) y apriete todos los pernos por completo. (Vea Diagrama 19)



NOTA: Para la configuración para zurdos, posicione el retorno de altura ajustable en el extremo izquierdo del escritorio.



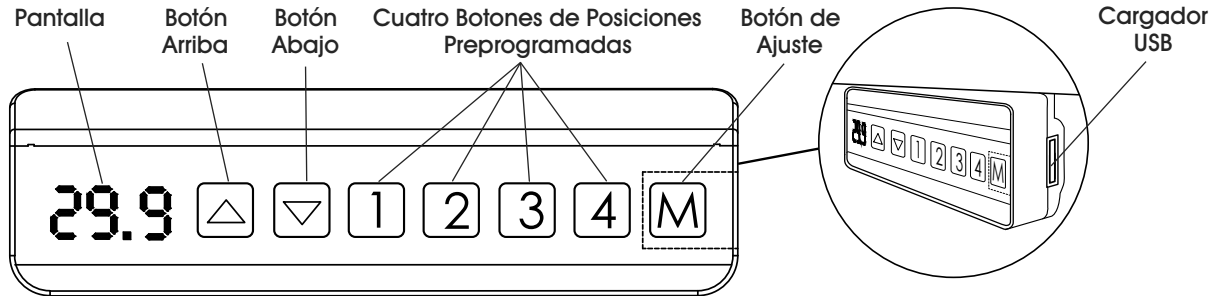
19. Conecte el cable y suba o baje el retorno superior para asegurar que se alineen correctamente. Si hay problemas de alineación, levante el retorno superior y afloje los pernos del soporte del recato (M). Alinee el retorno superior con el escritorio y vuelva a apretar los pernos. (Vea Diagrama 20)



20. Inserte tres tapas para pata (J) en el lado del armazón de la pata para retorno y una tapa para pata en el borde superior del recato del retorno. Inserte dos tapas para orificio (K) en la parte superior del armazón de la pata para retorno.
21. El escritorio en L de altura ajustable está ahora completamente ensamblado.

FUNCIONAMIENTO

CONTROLES



¡PRECAUCIÓN! Asegúrese de que no haya obstáculos en la trayectoria de la altura ajustable del escritorio y asegúrese de que no esté tocando ninguna pared.



¡PRECAUCIÓN! Asegúrese de que el largo de los cables se encuentre de tal manera que permita los cambios de altura.

AJUSTE DE ALTURA

- Presione el Botón Arriba para elevar el escritorio.
- Presione el Botón Abajo para bajar el escritorio.
- Suelte el botón para detener el movimiento.



¡PRECAUCIÓN! Para evitar que se sobrecaliente, no mueva el escritorio ni hacia arriba ni hacia abajo de forma continua por más de dos minutos durante un periodo de 20 minutos. Si se sobrecalienta, HOT aparecerá en el control manual. No use el escritorio por 20 minutos y déjelo enfriar.

PROGRAMACIÓN DE LA ALTURA PREESTABLECIDA

- Utilice los botones Arriba y Abajo para mover el escritorio a la posición deseada.
- Presione el botón de ajuste "M" para mostrar "5-". Presione el botón de posición preconfigurado deseado para guardar la altura preestablecida. "5-1", "5-2", etc. se mostrarán.
- Hasta cuatro preprogramaciones pueden quedar programadas.

PROGRAMACIÓN DE LOS LÍMITES DE ALTURA



NOTA: El escritorio tiene una función para limitar la altura. Esta función permite que se programen límites para elevar y bajar. Esto sirve para evitar que choque con objetos sobre y debajo del escritorio, tales como archiveros o gabinetes superiores.



NOTA: El límite de altura inferior viene preconfigurado de fábrica para estar al nivel de la cubierta principal y no se necesita ajustar.



NOTA: Siempre programe los límites de altura antes de programar alturas preestablecidas.

- Utilice los botones Arriba y Abajo para mover el escritorio al límite superior deseado.
- Para configurar el límite de altura superior, presione el botón de ajuste "M" para mostrar "5-". Presione el botón de arriba y la pantalla parpadeará una vez. Presione y sostenga el botón de ajuste "M" hasta que la pantalla muestre "999". El límite de altura superior ya está establecido.
- Para configurar el límite de altura inferior, presione el botón de ajuste "M" para mostrar "5-". Presione el botón de abajo y la pantalla parpadeará una vez. Presione y sostenga el botón de ajuste "M" hasta que la pantalla muestre "000". El límite de altura inferior ya está establecido.
- Para cancelar los límites de altura, presione el botón de ajuste "M" para mostrar "5-". Presione y sostenga el botón "M" hasta que la pantalla muestre "555". Los límites de altura ya están cancelados.
- Siempre programe los límites de altura antes de programar alturas preestablecidas.

CONTINUACIÓN DE FUNCIONAMIENTO

CAMBIO DE LAS UNIDADES DE ALTURA

- Para cambiar las unidades, reinicie el escritorio para que la pantalla del control de programación lea "P57". Después, presione "2" durante 5 segundos.
- Cuando la altura se muestre en centímetros, la pantalla mostrará "10.3".
- Cuando la altura se muestre en pulgadas, la pantalla mostrará "10.4".


BLOQUEO DE FUNCIONAMIENTO DEL ESCRITORIO

- Para bloquear el escritorio, presione el botón de ajuste "M" para mostrar "5-". Sostenga el botón "M" durante 10 segundos hasta que la pantalla muestre "LDC".
- Para desbloquear el escritorio, presione y sostenga el botón "M" durante 10 segundos mientras la pantalla muestra "LDC". Una vez que la pantalla muestre números, el escritorio está desbloqueado.


REINICIO

- Si el escritorio no funciona normalmente o el controlador reporta un error (E01 – E13), podría necesitar reiniciarse.
- Baje el escritorio hasta que alcance su altura inferior. Presione y sostenga el botón de abajo hasta "P57" parpadee en la pantalla.
- Presione y sostenga el botón de abajo hasta que el escritorio alcance su altura inferior, se levante levemente y se detenga.
- El control manual debe mostrar la altura. Ya está listo para usarse.

SOLUCIÓN DE PROBLEMAS

PROBLEMAS DE FUNCIONAMIENTO	RECOMENDACIONES
<i>HGT</i> aparece en el control manual.	El escritorio se sobrecalentó. No ajuste la altura del escritorio por 20 minutos y déjelo enfriar.
La altura se muestra en centímetros en lugar de pulgadas en la pantalla.	Para cambiar las unidades, reinicie el escritorio para que la pantalla del control de programación lea "P57". Después, presione "2" durante 5 segundos. <ul style="list-style-type: none">• Cuando la altura se muestre en centímetros, la pantalla mostrará "10.3".• Cuando la altura se muestre en pulgadas, la pantalla mostrará "10.4".
El escritorio no sube ni baja, pero el control manual muestra dígitos que parpadean.	Los límites de altura podrían estar mal programados y se deben cancelar. Presione el botón de ajuste "M" para mostrar "5-" en el control manual. Vuelva a presionar y sostener el botón de ajuste "M" hasta que la pantalla muestre "555". Los límites de altura quedaron cancelados.
Muestra "888" en el control manual.	Error del control manual de programación. Comuníquese con Servicio a Clientes de Uline al 800-295-5510 para recibir sin cargo una caja de control de repuesto.  NOTA: El escritorio debe estar dentro del plazo de garantía de 60 días.

CONTINUACIÓN DE SOLUCIÓN DE PROBLEMAS

PROBLEMAS DE FUNCIONAMIENTO	RECOMENDACIONES
El escritorio no sube ni baja.	<p>Revise todas las conexiones y los alrededores:</p> <ul style="list-style-type: none"> • Asegúrese de que no haya obstáculos en la trayectoria de la elevación ajustable del escritorio y asegúrese de que no toque ninguna pared o esté colocado en una superficie irregular. • Confirme que los cables sean lo suficientemente largos para permitir los cambios de altura.
El escritorio se mueve en la dirección opuesta al presionar los botones arriba o abajo.	<ul style="list-style-type: none"> • Asegúrese de que todos los cables del motor estén conectados a la caja de control. • Cerciórese de que el cable esté conectado a la caja de control y a un enchufe. • Desconecte el cable eléctrico durante un minuto, conéctelo de nuevo y siga el proceso de reinicio que se indica a continuación.
Las columnas no suben al mismo tiempo.	<p>Reinicie el escritorio:</p> <ul style="list-style-type: none"> • Asegúrese de que el control manual muestre los dígitos antes de intentar un reinicio. <p>Presione y sostenga el botón abajo hasta que "P57" parpadee en la pantalla. Suelte el botón.</p>
Muestra <i>E01 – E13</i> en el control manual.	<ul style="list-style-type: none"> • Presione y sostenga el botón hasta que el escritorio llegue a su posición más baja, se levante levemente y se detenga. • El control manual debe mostrar la altura. Ya está listo para usarse. <p>Si el problema persiste:</p> <ul style="list-style-type: none"> • Cambie los cables del motor en la caja de control e intente un nuevo reinicio. • Asegúrese de que el escritorio esté desbloqueado. <ul style="list-style-type: none"> • Presione el botón de ajuste "M" para mostrar "5-". Sostenga el botón "M" durante 10 segundos hasta que la pantalla muestre "LOC". El escritorio ahora está bloqueado. Repita el proceso para desbloquearlo. • Cancele cualquier límite de altura. <ul style="list-style-type: none"> • Presione el botón de ajuste "M" para mostrar "5-". Presione y sostenga el botón "M". El límite inferior de altura se establece cuando aparece "555". <p>Si el problema persiste después de seguir todas las recomendaciones anteriores, comuníquese con Servicio a Clientes de Uline al 800-295-5510 para recibir sin cargo una caja de control de repuesto.</p> <p> NOTA: El escritorio debe estar dentro del plazo de garantía de 60 días.</p>

ULINE

800-295-5510
uline.mx

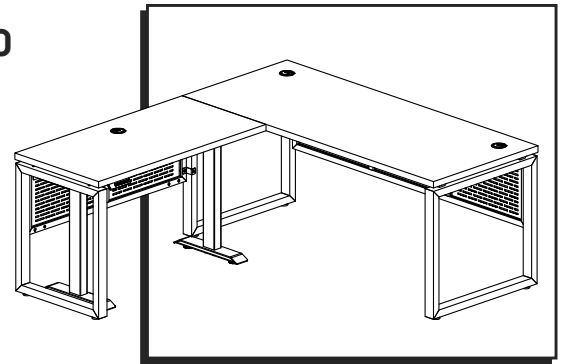
ULINE H-10357, H-10358

1 800 295-5510

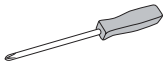
uline.ca

COLLECTION METRO

BUREAU EN L AVEC RETOUR À HAUTEUR RÉGLABLE



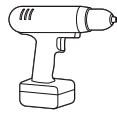
OUTILS REQUIS



Tournevis
cruciforme



Clé Allen de 4 mm
(inclus)

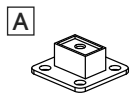


Perceuse

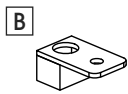


Montage à deux personnes
recommandé

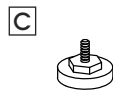
MATÉRIEL D'INSTALLATION DU BUREAU



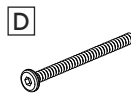
Connecteur de
cadre de pied x 4



Connecteur
de panneau
cache-jambes x 2



Patin de
nivellement
x 4



Boulon
M6 x 55 mm
x 4



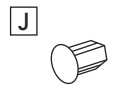
Boulon
M6 x 45 mm
x 6



Boulon
M6 x 15 mm
x 20



Capuchon pour
passe-fil x 2



Capuchon
de pied x 6

MATÉRIEL D'INSTALLATION DU RETOUR DE BUREAU EN L



Connecteur de
cadre de pied x 2



Connecteur de panneau
cache-jambes x 1



Patin de nivellement x 2



Boulon M6 x 55 mm x 2



Boulon M6 x 45 mm x 3



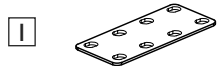
Boulon M6 x 15 mm x 32



Capuchon pour passe-fil x 1



Connecteur en Z x 3



Support plat x 2

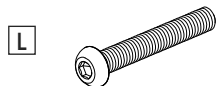


Capuchon de pied x 3



Capuchon pour trou x 2

MATÉRIEL D'INSTALLATION DE LA BASE À HAUTEUR RÉGLABLE



Boulon M6 x 40 mm x 8



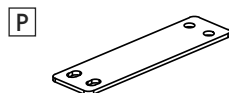
Boulon M6 x 16 mm x 22



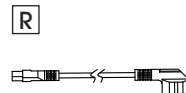
Boulon M6 x 10 mm x 12



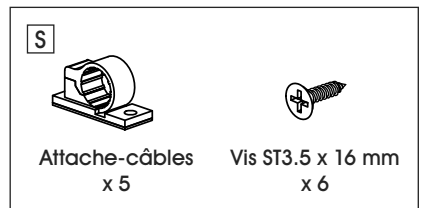
Boulon ST5 x 16 mm x 2



Support de pied x 1



Cordon
d'alimentation x 1

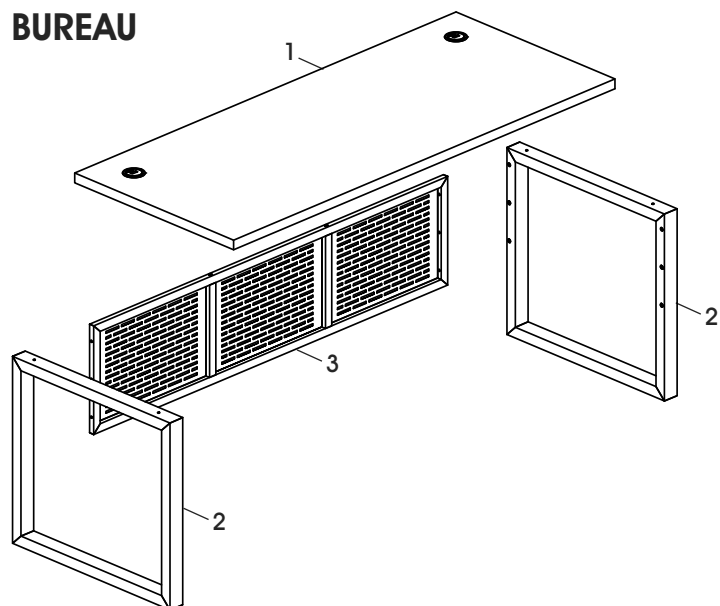


Attache-câbles
x 5

Vis ST3.5 x 16 mm
x 6

PIÈCES DU BUREAU ET DU RETOUR DE BUREAU EN L

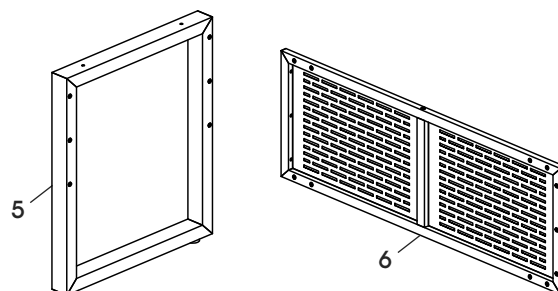
BUREAU



PIÈCES DU BUREAU

#	DESCRIPTION	QTÉ
1	Surface de bureau	1
2	Cadre de pied	2
3	Panneau cache-jambes	1

CADRE DU RETOUR DE BUREAU EN L

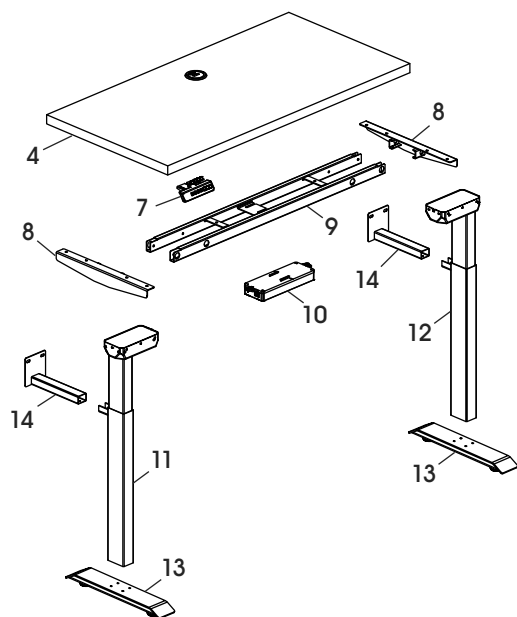


PIÈCES DU CADRE DU RETOUR DE BUREAU EN L

#	DESCRIPTION	QTÉ
5	Cadre de pied du retour	1
6	Panneau cache-jambes du retour	1

PIÈCES DE LA BASE À HAUTEUR RÉGLABLE





BASE À HAUTEUR RÉGLABLE



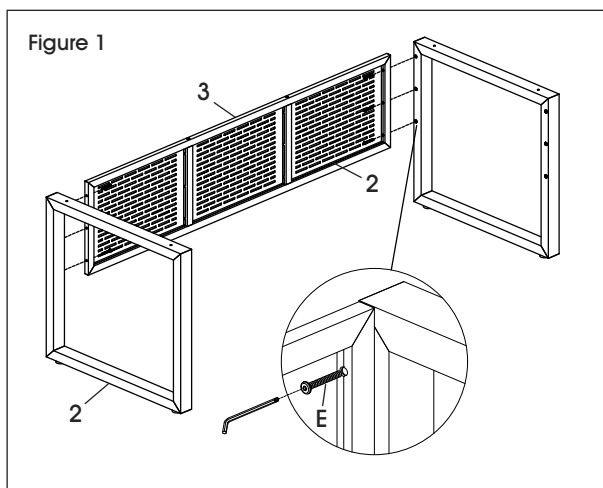
PIÈCES DE LA BASE À HAUTEUR RÉGLABLE

#	DESCRIPTION	QTÉ
4	Surface du retour de bureau	1
7	Contrôleur manuel programmable	1
8	Ferrure de support de la surface	2
9	Cadre central	1
10	Boîtier de commande	1
11	Colonne de levage gauche	1
12	Colonne de levage droite	1
13	Pied avec patins de nivellement	2
14	Support de panneau cache-jambes	2

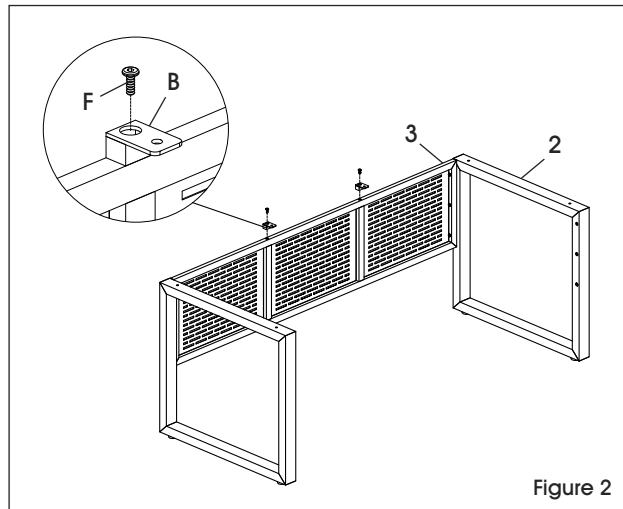
MONTAGE DU BUREAU

-  **REMARQUE :** Comptez et vérifiez toutes les pièces avant de jeter le matériel d'emballage ou le carton.
-  **REMARQUE :** Montez le meuble sur une surface lisse qui ne marque pas afin d'éviter les rayures.
-  **REMARQUE :** Serrez tous les boulons à l'aide de la clé Allen de 4 mm.
-  **REMARQUE :** Les patins de nivellement et les capuchons pour passe-fil sont préinstallés.

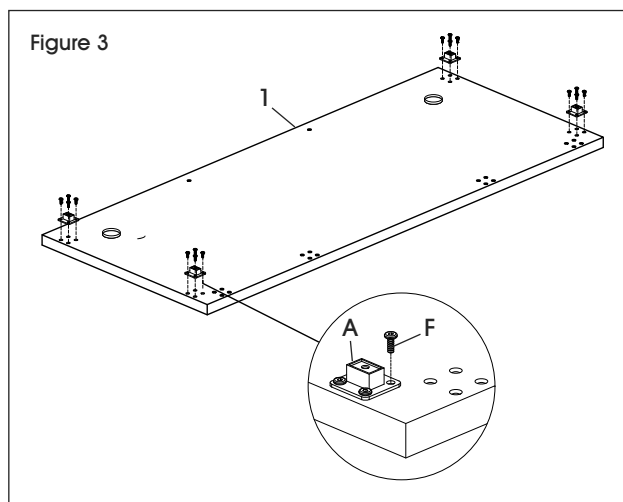
1. Alignez les trous se trouvant sur un côté du panneau cache-jambes (3) sur les trous du cadre de pied (2). Insérez trois boulons M6 x 45 mm (E), puis serrez-les. Répétez la procédure de l'autre côté. (Voir Figure 1)



2. Alignez deux connecteurs de panneau cache-jambes (B) sur les trous situés sur la partie supérieure du panneau. Fixez-les avec deux boulons M6 x 15 mm (F), puis serrez-les. (Voir Figure 2)

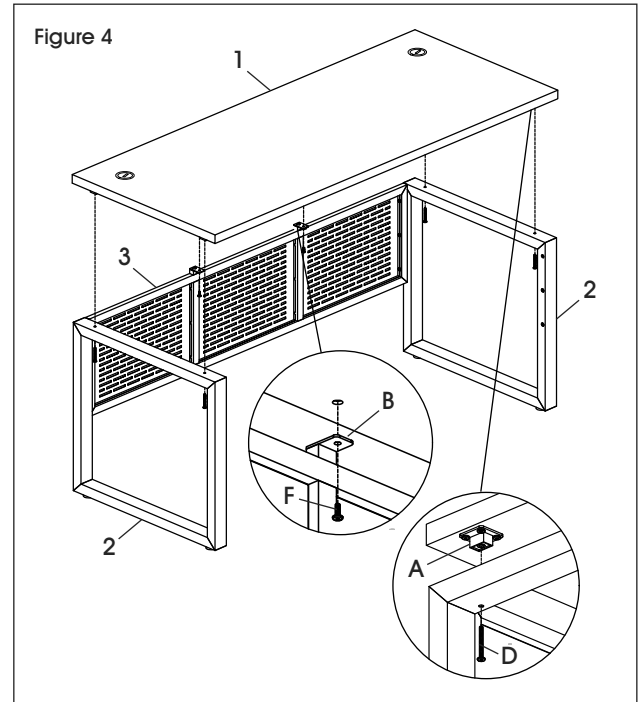


3. Placez la surface de bureau (1) à l'envers. Alignez le connecteur de cadre de pied (A) sur les trous situés au coin de la surface de bureau. Insérez quatre boulons M6 x 15 mm (F), puis serrez-les. Répétez l'opération pour les trois autres connecteurs de cadre de pied. (Voir Figure 3)



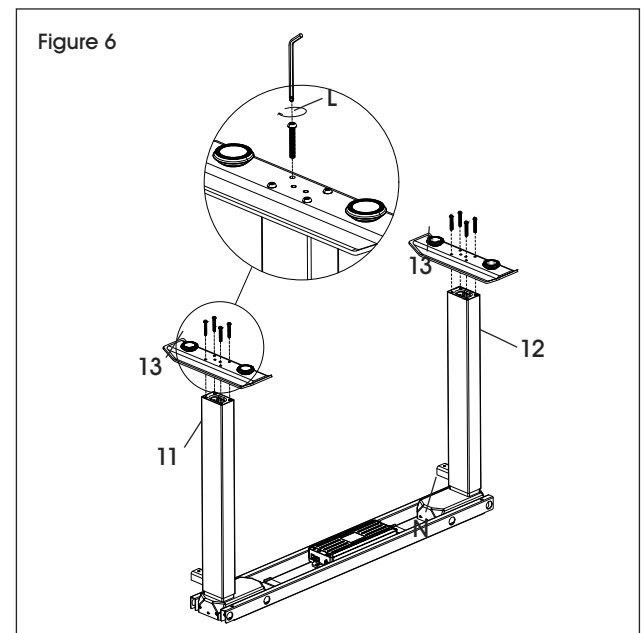
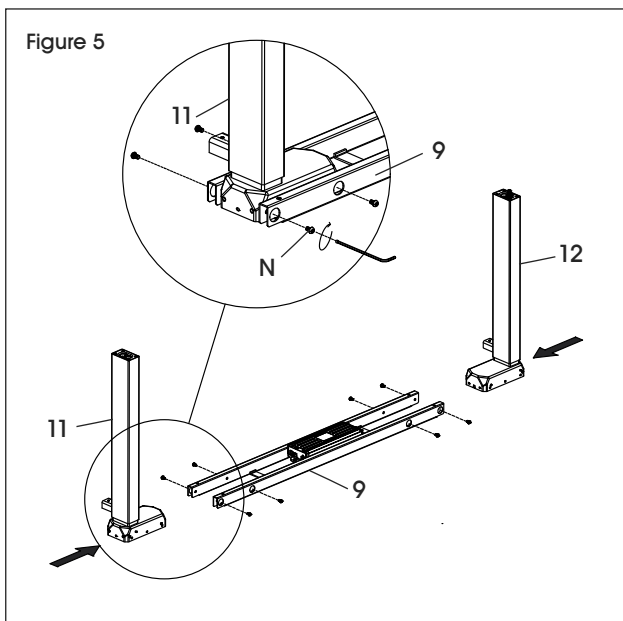
MONTAGE DU BUREAU SUITE

- À deux, déposez délicatement la surface de bureau (1) par-dessus le cadre assemblé, puis alignez les trous du cadre sur les trous des connecteurs de cadre de pied (A). Insérez quatre boulons M6 x 55 mm (D) à travers les cadres de pied jusque dans les connecteurs de cadre de pied, puis serrez-les. Insérez deux boulons M6 x 15 mm (F) à travers les connecteurs de panneau cache-jambes (B) jusque dans la partie arrière de la surface de bureau, puis serrez-les. (Voir Figure 4)
- Placez le bureau de côté. La base à hauteur réglable et le cadre du retour de bureau en L seront assemblés ensuite.




MONTAGE DU RETOUR DE BUREAU EN L ET DE LA BASE À HAUTEUR RÉGLABLE

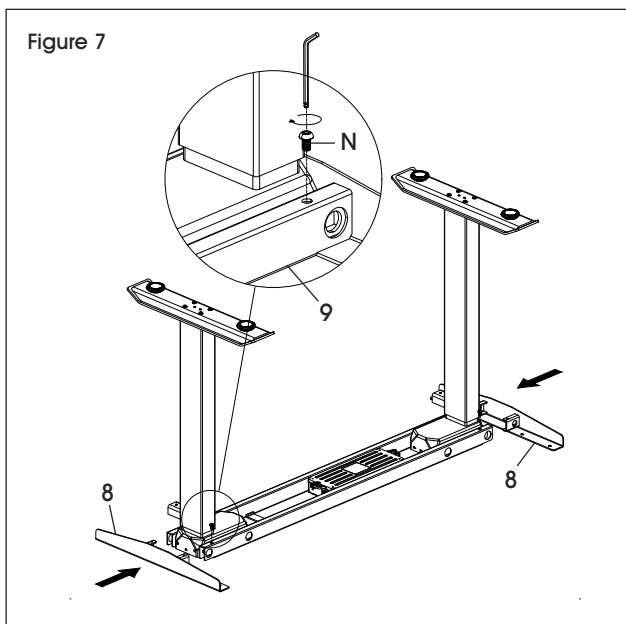
- Placez les colonnes de levage (11, 12) et le cadre central (9) à l'envers. Fixez chaque colonne de levage au cadre central avec quatre boulons M6 x 10 mm (N). (Voir Figure 5)
- Alignez les trous du pied (13) sur la colonne de levage (11, 12). Insérez quatre boulons M6 x 40 mm (L), puis serrez-les. Répétez l'opération pour le pied et la colonne de levage opposés. (Voir Figure 6)



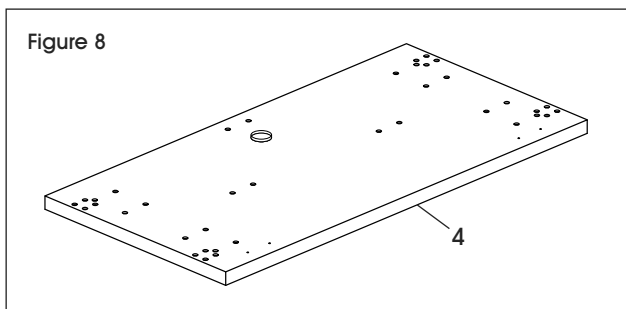
MONTAGE DU RETOUR DE BUREAU EN L ET DE LA BASE À HAUTEUR RÉGLABLE SUITE

3. Insérez les ferrures de support de la surface (8) dans les extrémités du cadre central (9). Fixez chaque ferrure avec deux boulons M6 x 10 mm (N). (Voir Figure 7)


 **REMARQUE :** Le rebord en acier avec quatre trous sur la ferrure de support de la surface doit être orienté vers le bas.

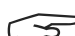


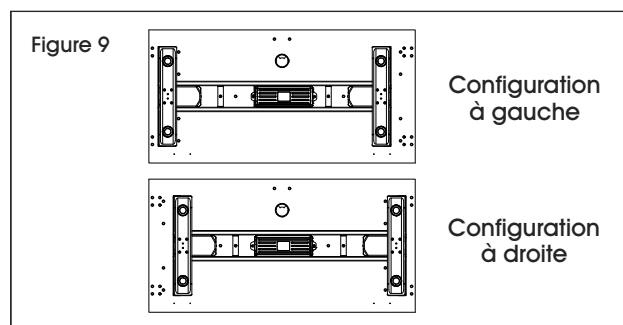
4. Placez la surface du retour de bureau (4) sur une surface lisse non marquante pour éviter les rayures. Les trous de la surface du retour de bureau doivent être orientés vers le haut. (Voir Figure 8)



5. Placez la base sur la surface du retour de bureau avec les ferrures s'étendant des colonnes de levage face au trou du passe-fil. Déterminez si le bureau en L sera configuré à droite ou à gauche. Cela déterminera si vous devez utiliser l'ensemble des trous situés sur le côté gauche ou droit de la surface du retour de bureau pour fixer la base. (Voir Figure 9)


 **REMARQUE :** Pour une configuration à gauche, les ferrures de support de la surface doivent être alignées avec l'ensemble de trous sur le côté droit de la surface du retour de bureau. (Voir Figure 9)

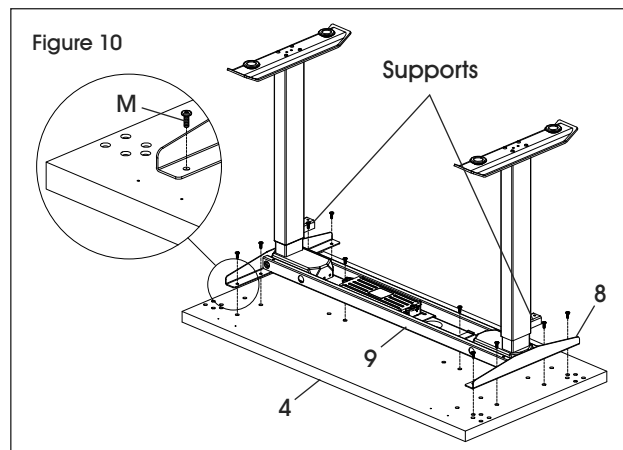
 **REMARQUE :** Pour une configuration à droite, les ferrures de support de la surface doivent être alignées avec l'ensemble de trous sur le côté gauche de la surface du retour de bureau. (Voir Figure 9)



6. Insérez 10 boulons M6 x 16 mm (M) et serrez-les pour fixer les ferrures de support de la surface (8) et le cadre central (9) à la surface du retour de bureau (4). (Voir Figure 10)


 **REMARQUE :** Le montage du bureau en L avec configuration à droite est indiqué dans les illustrations suivantes.

 **REMARQUE :** Les ferrures qui s'étendent à partir des colonnes de levage doivent faire face au bord de la surface du retour de bureau avec le trou du passe-fil.

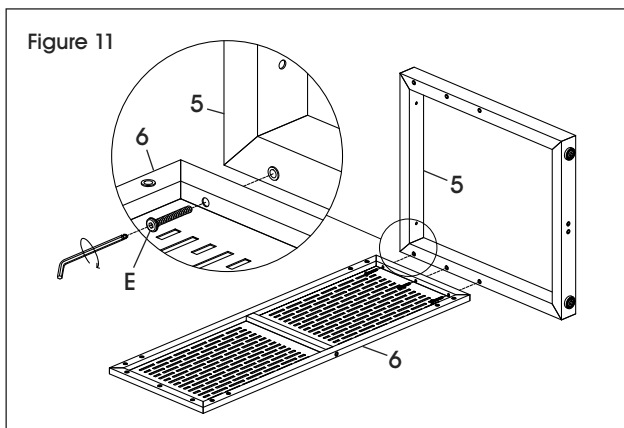


MONTAGE DU RETOUR DE BUREAU EN L ET DE LA BASE À HAUTEUR RÉGLABLE SUITE

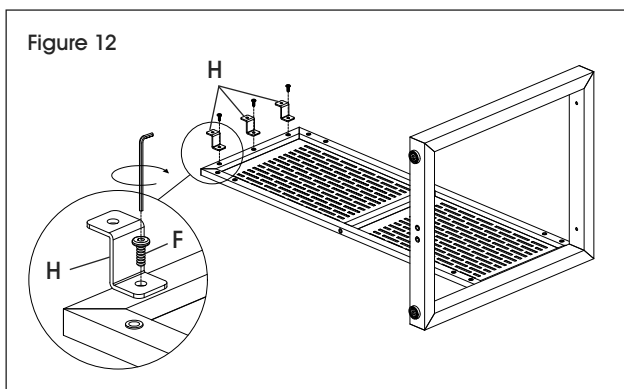
7. Placez la base à hauteur réglable assemblée de côté. Le cadre du retour de bureau en L sera assemblé ensuite.

 **REMARQUE :** En fonction de la configuration souhaitée du bureau en L, le cadre du retour (5) devra être réglé pour correspondre. Le montage du bureau en L avec configuration à droite est indiqué dans les illustrations suivantes. Pour une configuration à gauche du bureau en L, les côtés opposés devront être reliés.


8. Alignez les trous situés sur le côté droit du panneau cache-jambes du retour (6) sur les trous situés sur le côté gauche du cadre de pied du retour (5). Insérez trois boulons M6 x 45 mm (E), puis serrez-les. (Voir Figure 11)



9. Alignez les trous des trois connecteurs en Z (H) sur les trous situés sur le côté gauche du panneau cache-jambes du retour (6). Insérez trois boulons M6 x 15 mm (F), puis serrez-les légèrement. (Voir Figure 12)



10. Alignez les trous de la plaque des supports du panneau cache-jambes (14) sur les trous situés sur le haut du panneau cache-jambes (6). Insérez quatre boulons M6 x 16 mm (M), puis serrez-les. (Voir Figure 13)

 **REMARQUE :** Les trous des supports de panneau cache-jambes sont oblongs pour laisser un petit espace entre la surface de bureau principale et la surface du retour. Pour une configuration à droite, les boulons doivent être serrés du côté gauche des trous oblongs.


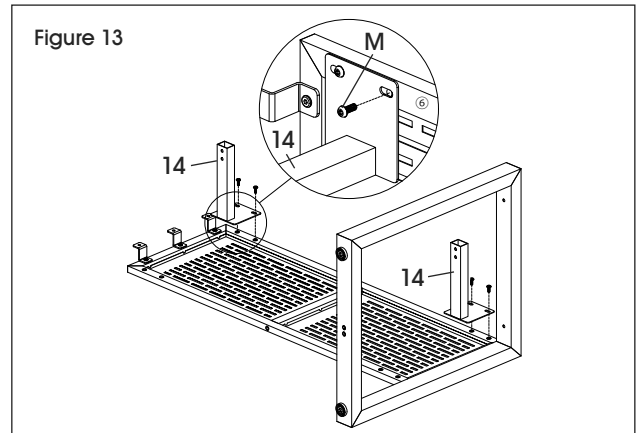
 **REMARQUE :** Pour une configuration à gauche, les boulons doivent être serrés du côté droit des trous oblongs.

Figure 13



11. À deux, soulevez avec précaution le cadre du retour et faites glisser les supports de panneau cache-jambes (14) sur les ferrures qui s'étendent à partir des colonnes de levage (11, 12). Insérez quatre boulons M6 x 16 mm (M), puis serrez-les. (Voir Figure 14)


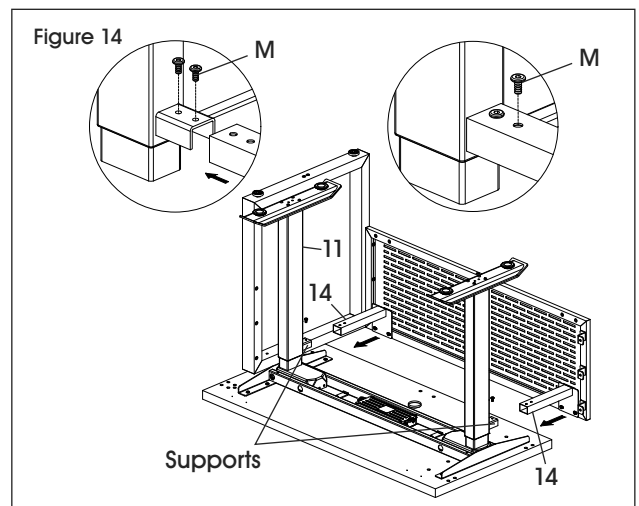

 **REMARQUE :** La deuxième personne doit maintenir le cadre de retour soulevé pour faciliter la fixation des supports de panneau cache-jambes.

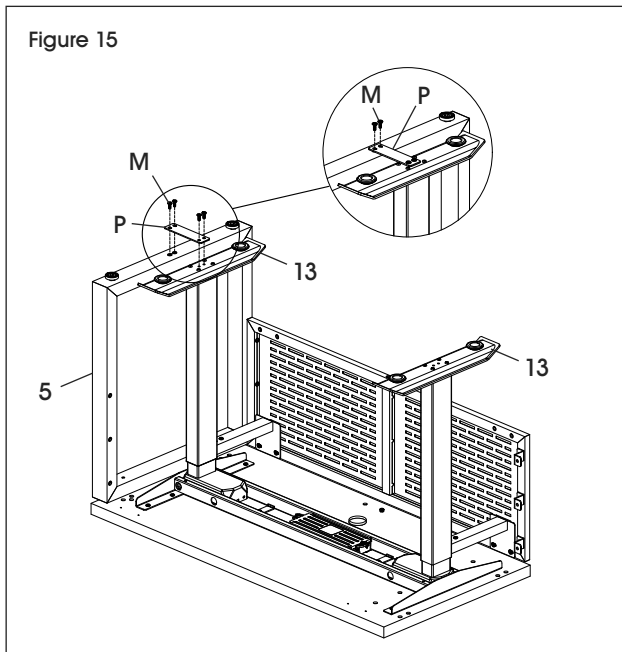
Figure 14



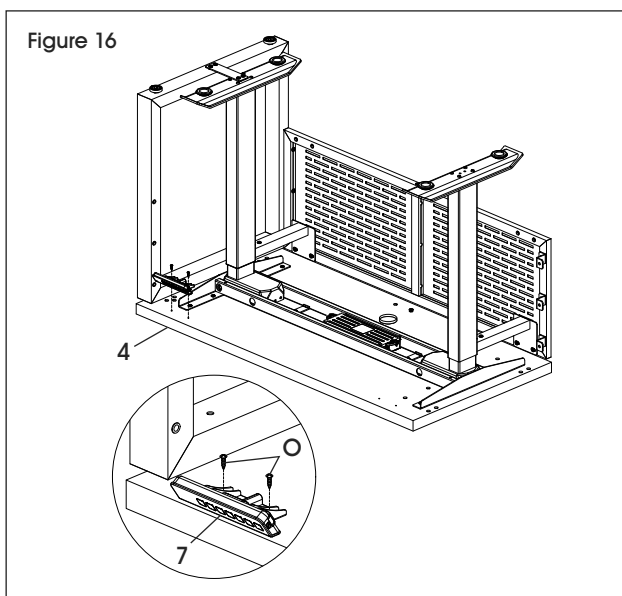
MONTAGE DU RETOUR DE BUREAU EN L ET DE LA BASE À HAUTEUR RÉGLABLE SUITE

12. Alignez les trous du support de pied (P) avec les trous du cadre de pied du retour et du pied (13). Insérez quatre boulons M6 x 16 mm (M) et serrez-les. (Voir Figure 15)

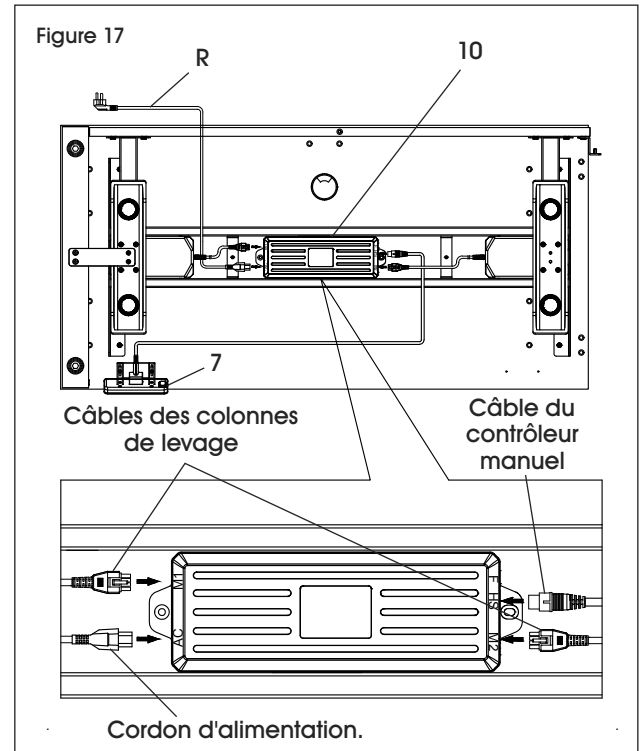
 **REMARQUE :** La deuxième personne doit maintenir le cadre du retour soulevé pour aligner correctement le support de pied.



13. Placez le contrôleur manuel programmable (7) sur le rebord avant de la surface de bureau (4). Fixez le tout à l'aide de la perceuse et de deux vis ST5 x 16 mm (O). (Voir Figure 16)




14. Branchez le cordon d'alimentation (R) dans le boîtier de commande (10). Branchez les câbles du contrôleur manuel programmable (7) et des colonnes de levage dans le boîtier de commande. (Voir Figure 17)

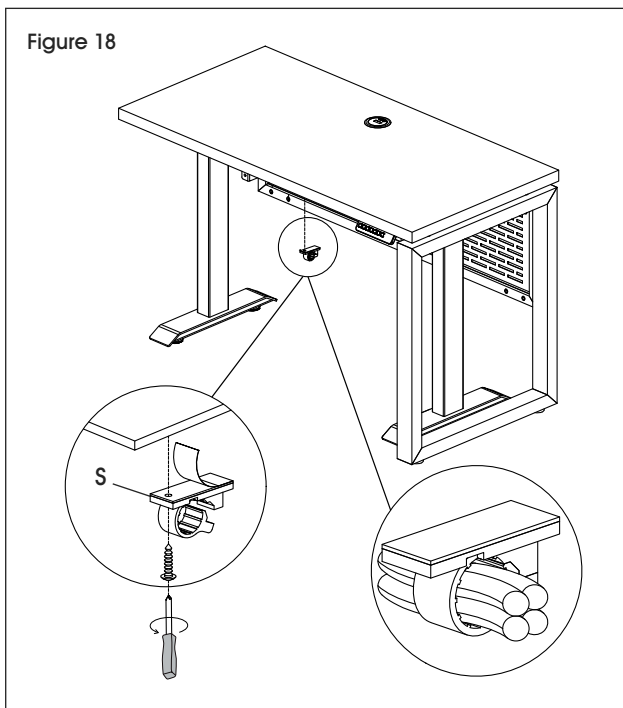


MONTAGE DU RETOUR DE BUREAU EN L ET DE LA BASE À HAUTEUR RÉGLABLE SUITE

15. À trois, faites soigneusement pivoter le retour assemblé vers le panneau cache-jambes et faites-le basculer sur les pieds.

 **REMARQUE :** Il est recommandé de tenir simultanément le retour de bureau et la base à hauteur réglable tout en retournant l'ensemble pour une meilleure stabilité.

16. Placez les attache-câbles (S) à l'endroit souhaité pour organiser les câbles de manière ordonnée sous la surface du retour. Les attache-câbles peuvent être fixées à l'aide d'adhésif ou de vis ST3.5 x 16 mm. (Voir Figure 18)




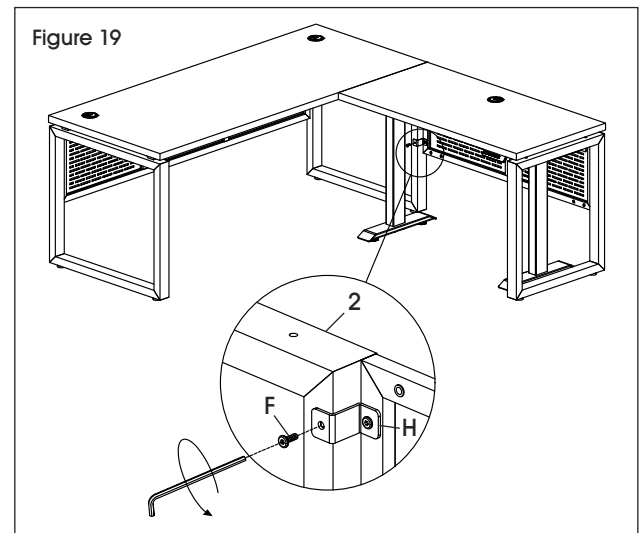
17. Pendant que le bureau et le retour à hauteur réglable sont encore séparés, placez-les à l'endroit souhaité.



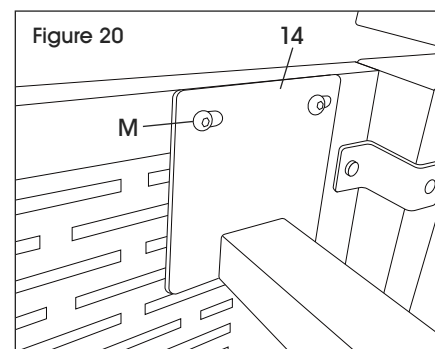
MISE EN GARDE! Le bureau en L à hauteur réglable ne doit pas être déplacé une fois qu'il est entièrement assemblé.

18. Positionnez le retour à hauteur réglable à l'extrémité droite du bureau. Alignez les trous des connecteurs en Z sur les trous à l'intérieur du pied droit (2). Insérez trois boulons M6 x 15 mm (F), puis serrez complètement tous les boulons. (Voir Figure 19)

 **REMARQUE :** Pour une configuration à gauche, positionnez le retour de bureau à hauteur réglable à l'extrémité gauche du bureau.



19. Branchez le cordon d'alimentation et soulevez/abaissez la surface du retour pour obtenir un bon alignement. S'il y a des problèmes d'alignement, soulevez la surface du retour et desserrez les boulons du support de panneau cache-jambes (M). Alignez la surface du retour avec la surface du bureau et resserrez les boulons. (Voir Figure 20)

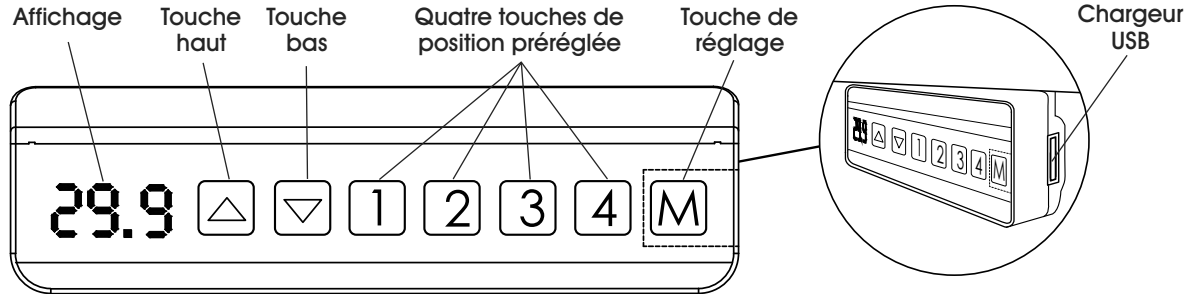


20. Insérez trois capuchons de pied (J) dans le côté du cadre de pied du retour et un capuchon de pied dans le bord supérieur du panneau cache-jambes. Insérez deux capuchons pour trou (K) dans le haut du cadre de pied du retour.

21. Le bureau en L à hauteur réglable est maintenant complètement assemblé.

FONCTIONNEMENT

COMMANDES



MISE EN GARDE! Assurez-vous que le bureau ne touche aucun mur et qu'aucun obstacle n'entrave son mouvement.



MISE EN GARDE! Assurez-vous que tous les cordons ont une longueur appropriée convenant au changement de hauteur.

RÉGLAGE DE LA HAUTEUR

- Appuyez sur la touche haut pour lever la surface de bureau.
- Appuyez sur la touche bas pour abaisser la surface de bureau.
- Relâchez la touche pour arrêter le mouvement.



MISE EN GARDE! Pour éviter une surchauffe, ne faites pas monter et descendre le bureau plus de deux minutes en continu durant une période de 20 minutes. Si le bureau vient à surchauffer, HOT s'affiche sur le contrôleur manuel. Cessez d'utiliser le bureau pendant 20 minutes et laissez-le refroidir.

PROGRAMMATION D'UNE HAUTEUR PRÉRÉGLÉE

- Utilisez les touches haut et bas pour faire bouger le bureau à la position souhaitée.
- Appuyez sur la touche de réglage « M » pour afficher « 5- ». Appuyez sur la touche de réglage de position désirée pour mémoriser la hauteur pré-réglée. « 5-1 », « 5-2 », etc. s'affichent.
- Il est possible de programmer jusqu'à quatre positions pré-réglées.

PROGRAMMATION DES LIMITES DE HAUTEUR



REMARQUE : Le bureau est doté d'une fonction de limitation de la hauteur. Cette fonction permet de programmer les limites supérieure et inférieure. Elle sert à éviter les collisions avec des objets se trouvant au-dessus et en-dessous du bureau tels que les caissons et les armoires suspendues.



REMARQUE : La limite inférieure de la hauteur est pré-réglée en usine pour être au niveau du bureau principal et ne devrait pas avoir besoin d'être ajustée.



REMARQUE : Commencez toujours par programmer les limites de hauteur avant les hauteurs pré-réglées.

- Utilisez les touches haut et bas pour bouger le bureau à la limite supérieure souhaitée de la hauteur.
- Pour régler la limite supérieure de la hauteur, appuyez sur la touche de réglage « M » pour afficher « 5- ». Appuyez sur la touche haut et l'affichage clignotera une fois. Appuyez et maintenez enfoncée la touche de réglage « M » jusqu'à ce que l'écran affiche « 999 ». La limite supérieure de la hauteur est maintenant fixée.
- Utilisez les touches haut et bas pour bouger le bureau à la limite inférieure souhaitée de la hauteur.
- Pour régler la limite inférieure de la hauteur, appuyez sur la touche de réglage « M » pour afficher « 5- ». Appuyez sur la touche bas et l'affichage clignotera une fois. Appuyez et maintenez enfoncée la touche de réglage « M » jusqu'à ce que l'écran affiche « 000 ». La limite inférieure de la hauteur est maintenant fixée.
- Pour annuler les limites de hauteur, appuyez sur la touche de réglage « M » pour afficher « 5- ». Appuyez et maintenez enfoncée la touche « M » jusqu'à ce que l'écran affiche « 555 ». Les limites de hauteur sont maintenant annulées.

FONCTIONNEMENT SUITE

CHANGEMENT DES UNITÉS DE HAUTEUR

- Pour changer les unités, l'utilisateur doit réinitialiser le bureau afin que le contrôleur affiche « *PST* ». Il doit ensuite maintenir la touche « 2 » enfoncée pendant 5 secondes.
- Lorsque la hauteur est affichée en centimètres, le contrôleur affiche « *10.3* ».
- Lorsque la hauteur est affichée en pouces, le contrôleur affiche « *10.4* ».


FONCTION DE BLOCAGE

- Pour verrouiller le bureau, appuyez sur la touche « M » pour afficher « 5- ». Appuyez longuement sur la touche « M » pendant 10 secondes jusqu'à ce que « *LDC* » s'affiche.
- Pour déverrouiller le bureau, appuyez longuement sur la touche « M » pendant 10 secondes alors que l'écran affiche « *LDC* ». Le bureau est déverrouillé lorsque des chiffres s'affichent à l'écran.


RÉINITIALISATION

- Si le bureau ne fonctionne pas normalement ou si le contrôleur signale une erreur (*E01-E13*), il peut être nécessaire de le réinitialiser.
- Abaissez le bureau jusqu'à la position la plus basse. Appuyez longuement sur la touche bas jusqu'à ce que « *PST* » clignote à l'écran. Relâchez la touche bas.
- Appuyez longuement sur la touche bas jusqu'à ce que le bureau atteigne la position la plus basse, remonte légèrement, puis s'arrête.
- Le contrôleur doit afficher la hauteur. Le bureau est maintenant prêt pour l'utilisation.

DÉPANNAGE

PROBLÈMES	RECOMMANDATIONS
« <i>HOT</i> » s'affiche sur le contrôleur.	Le bureau est en surchauffe. Cessez l'utilisation et laissez le bureau refroidir pendant 20 minutes.
La hauteur s'affiche en centimètres au lieu de pouces sur le contrôleur.	Pour changer les unités, réinitialisez le bureau afin que le contrôleur affiche « <i>PST</i> ». Ensuite, maintenez la touche « 2 » enfoncée pendant 5 secondes. <ul style="list-style-type: none">• Lorsque la hauteur est affichée en centimètres, le contrôleur affiche « <i>10.3</i> ».• Lorsque la hauteur est affichée en pouces, le contrôleur affiche « <i>10.4</i> ».
Le bureau ne bouge ni vers le haut ni vers le bas, mais le contrôleur affiche des chiffres qui clignotent.	Des limites de hauteur erronées ont peut-être été programmées et doivent être annulées. Appuyez sur la touche de réglage « M » pour afficher « 5- » sur le contrôleur. Appuyez encore longuement sur la touche « M » jusqu'à ce que « <i>555</i> » s'affiche. Les limites de hauteur sont maintenant annulées.
« 888 » s'affiche sur le contrôleur.	Erreur du contrôleur programmable. Veuillez contacter le service à la clientèle de Uline au 1 800 295-5510 pour recevoir gratuitement un contrôleur de rechange.  REMARQUE : Le bureau doit être sous la garantie de 60 jours.

DÉPANNAGE SUITE

PROBLÈMES	RECOMMANDATIONS
Le bureau ne bouge ni vers le haut ni vers le bas.	<p>Vérifiez toutes les connexions et l'environnement :</p> <ul style="list-style-type: none"> • Assurez-vous que le bureau ne touche aucun mur et n'est pas placé sur une surface irrégulière, et qu'aucun obstacle n'entrave son mouvement en hauteur. • Assurez-vous que tous les cordons ont une longueur appropriée convenant au changement de hauteur. • Assurez-vous que tous les câbles de moteur sont branchés sur le boîtier de commande. • Assurez-vous que le cordon d'alimentation est branché sur le boîtier de commande et sur une prise d'alimentation. • Débranchez le cordon d'alimentation pendant une minute, rebranchez-le et suivez la procédure de réinitialisation ci-dessous. <p>Réinitialisation du bureau :</p> <ul style="list-style-type: none"> • Assurez-vous que le contrôleur affiche des chiffres avant de tenter une réinitialisation. • Appuyez longuement sur la touche bas jusqu'à ce que « <i>PST</i> » clignote à l'écran. Relâchez la touche bas. • Appuyez longuement sur la touche bas jusqu'à ce que le bureau atteigne la position la plus basse, remonte légèrement, puis s'arrête. • Le contrôleur devrait afficher la hauteur. Le bureau peut maintenant être utilisé. <p>Si le problème persiste :</p> <ul style="list-style-type: none"> • Inversez les câbles de moteur dans le boîtier de commande et effectuez une nouvelle réinitialisation. • Assurez-vous que le bureau est déverrouillé. <ul style="list-style-type: none"> • Appuyez sur la touche « M » pour afficher « <i>S-</i> ». Maintenez la touche « M » enfoncée pendant 10 secondes jusqu'à ce que « <i>LCC</i> » s'affiche. Le bureau est maintenant verrouillé. Répétez la procédure pour le déverrouiller. • Annulez les limites de hauteur. <ul style="list-style-type: none"> • Appuyez sur la touche « M » pour afficher « <i>S-</i> ». Appuyez longuement sur la touche « M ». La limite de hauteur est annulée lorsque « <i>SSS</i> » s'affiche. <p>Si le problème persiste après avoir suivi toutes les recommandations ci-dessus, veuillez contacter le service à la clientèle de Uline au 1 800 295-5510 pour recevoir gratuitement un boîtier de commande de rechange.</p> <p> REMARQUE : Le bureau doit être sous la garantie de 60 jours.</p>
Le bureau va dans la direction opposée lorsqu'on appuie sur la touche haut ou bas.	
Les colonnes de levage ne montent pas de façon égale.	
« <i>E01 – E13</i> » s'affiche sur le contrôleur.	

ULINE

1 800 295-5510
uline.ca