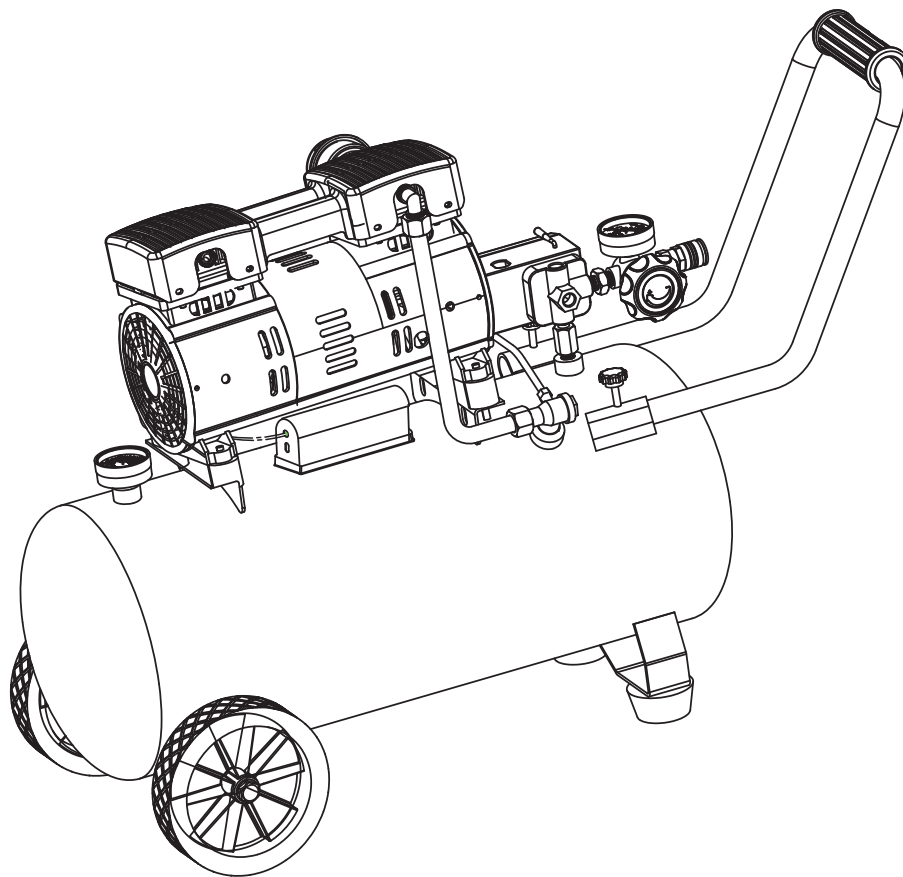




## 8 Gallon Quiet Compressor

Operating Instructions and Parts Manual



Model: DC080500

EN

**ULINE** H-10916

1-800-295-5510

0623 IH-10916VND



Please read and save these instructions. Read carefully before attempting to assemble, install, operate or maintain the product described.

Protect yourself and others by observing all safety information. Failure to comply with instructions could result in personal injury and/or property damage! Retain instructions for future reference.

**REMINDER:** Keep your dated proof of purchase for warranty purposes! Attach it to this manual or file it for safekeeping.

Model #: \_\_\_\_\_

Serial #: \_\_\_\_\_

Purchase Date: \_\_\_\_\_

For parts, product & service information  
visit [www.campbellhausfeld.com](http://www.campbellhausfeld.com)

Campbell Hausfeld  
100 Production Drive  
Harrison, Ohio 45030

**REGISTER YOUR PRODUCT ONLINE NOW! [www.campbellhausfeld.com](http://www.campbellhausfeld.com)**  
**READ AND FOLLOW ALL INSTRUCTIONS • SAVE THESE INSTRUCTIONS • DO NOT DISCARD**

**ULINE** H-10916

1-800-295-5510

0623 IH-10916VND

## BEFORE YOU BEGIN

### Description

Thank you for purchasing this Campbell Hausfeld quiet, oilless compressor. For over 100 years, we have manufactured products that are durable, reliable and just easy to use and maintain. Portable oilless air compressors are for home and workshop use. Cleaning or replacement of the inlet filter on all models and draining moisture from the air receivers are required maintenance.

## UNPACKING

### CAUTION

*Do not lift or move unit without appropriately rated equipment. Be sure the unit is securely attached to lifting device used. Do not lift unit by holding onto tubes or coolers. Do not use unit to lift other attached equipment.*

After unpacking the unit, inspect carefully for any damage that may have occurred during transit. Check for loose, missing or damaged parts. Check to be sure all supplied accessories are enclosed with the unit. In case of questions, damaged or missing parts, please visit [www.campbellhausfeld.com](http://www.campbellhausfeld.com) for customer assistance.

### WARNING

*Do not operate unit if damaged during shipping, handling or use. Damage may result in bursting and cause injury or property damage.*

## GENERAL SAFETY INSTRUCTIONS

### Overview of Safety Warning System and Your Responsibilities

**READ THIS MANUAL BEFORE USING THIS PRODUCT. FAILURE TO FOLLOW THE INSTRUCTIONS AND SAFETY PRECAUTIONS IN THIS MANUAL CAN RESULT IN SERIOUS INJURY OR DEATH. KEEP THIS MANUAL FOR FUTURE REFERENCE.**

Your safety and the safety of others depend on you thoroughly reading and understanding this manual. If you have questions or do not understand the information presented in this manual, please visit [www.campbellhausfeld.com](http://www.campbellhausfeld.com).

This is the safety alert symbol. It is used to alert you to potential personal injury hazards. The meaning of this safety alert symbol is as follows: **Attention! Become Alert! Your Safety may be at Risk.** The message that appears next to the warning which can be either written or pictorially presented. Operations that may cause product damage are identified by the signal word "NOTICE" in this manual.

Most tool-related incidents are caused by failure to observe basic safety rules or precautions. You must be alert to potential hazards. You must have the necessary training, skills and tools to perform these functions. Campbell Hausfeld cannot anticipate every possible circumstance that might involve a potential hazard. Therefore, the warnings in this manual are not all inclusive. If a tool, procedure, work method or operating technique that is not specifically recommended by Campbell Hausfeld is used, you must satisfy yourself that it is safe for you and for others. You should also ensure that the product will not be damaged or be made unsafe by the operation, lubrication, maintenance or repair procedures that you choose.

### Safety Guidelines

This manual contains information that is very important to know and understand. This information is provided for SAFETY and to PREVENT EQUIPMENT PROBLEMS. To help recognize this information, observe the following symbols.

### DANGER

*Danger indicates an imminently hazardous situation which, if not avoided, WILL result in death or serious injury.*

### WARNING

*Warning indicates a potentially hazardous situation which, if not avoided, COULD result in death or serious injury.*

### CAUTION

*Caution indicates a potentially hazardous situation which, if not avoided, MAY result in minor or moderate injury.*

### NOTICE

*Notice indicates important information, that if not followed, may cause damage to equipment.*

**IMPORTANT or NOTE:** Information that requires special attention.

## GENERAL SAFETY INSTRUCTIONS (CONTINUED)

### Safety Symbols

The following Safety Symbols appear throughout this manual to alert you to important safety hazards and precautions.



Read  
Manual  
First



Wear Eye  
and Hearing  
Protection



Risk of  
Fire



Risk of  
Moving Parts



Risk of Shock



Risk of  
Explosion



Risk of  
Electrocution



Risk of  
Pressure

### California Proposition 65

#### ▲ WARNING

*This product or its power cord may contain chemicals known to the State of California to cause cancer and birth defects or other reproductive harm. Wash hands after handling.*

#### ▲ WARNING

*You can create dust when you cut, sand, drill or grind materials such as wood, paint, metal, concrete, cement, or other masonry. This dust often contains chemicals known to cause cancer, birth defects, or other reproductive harm. Wear protective gear.*

### Important Safety Information

*Please read and save these instructions. Read carefully before attempting to assemble, install, operate or maintain the product described. Protect yourself and others by observing all safety information. Failure to comply with instructions could result in personal injury and/or property damage! Retain instructions for future reference.*

This manual contains important safety, operational and maintenance information. If you have any questions, please visit [www.campbellhausfeld.com](http://www.campbellhausfeld.com) for customer assistance.

Since the air compressor and other components used (material pump, spray guns, filters, lubricators, hoses, etc.) make up a high pressure pumping system, the following safety precautions must be observed at all times:



1. Read all manuals included with this product carefully. Be thoroughly familiar with the controls and the proper use of the equipment.
2. Follow all local electrical and safety codes as well as in the United States, the National Electrical Codes (NEC) and Occupational Safety and Health Act (OSHA).
3. Only persons well acquainted with these rules of safe operation should be allowed to use the compressor.
4. Keep visitors away and keep out of reach of children.
5. Wear safety glasses and use hearing protection when operating the unit.
6. Do not stand on or use the unit as a handhold.
7. Before each use, inspect compressed air system and electrical components for signs of damage, deterioration, weakness or leakage. Repair or replace defective items before using.
8. Check all fasteners at frequent intervals for proper tightness.



#### ▲ WARNING

*Motors, electrical equipment and controls can cause electrical arcs that will ignite a flammable gas or vapor. Never operate or repair in or near a flammable gas or vapor. Never store flammable liquids or gases in the vicinity of the compressor.*



#### ▲ WARNING

**WARNING:** Do not operate with guard removed.



#### ▲ WARNING

**WARNING:** Risk of electric shock. Use GFCI. Use indoors only. Disconnect all connections before servicing.

9. Do not wear loose clothing or jewelry that will get caught in the moving parts of the unit.

**⚠ CAUTION**

*Compressor parts may be hot even if the unit is stopped.*

10. Keep fingers away from a running compressor; fast moving and hot parts will cause injury and/or burns.  
11. If the equipment should start to vibrate abnormally, STOP the engine/motor and check immediately for the cause. Vibration is generally a warning of trouble.  
12. To reduce fire hazard, keep engine/motor exterior free of oil, solvent, or excessive grease.

**⚠ WARNING**

*An ASME code safety relief valve with a setting no higher than the maximum allowable working pressure (MAWP) MUST be installed in the tank for this compressor. The ASME safety valve must have sufficient flow and pressure ratings to protect the pressurized components from bursting.*

**⚠ CAUTION**

*See compressor specification decal for maximum operating pressure. Do not operate with pressure switch or pilot valves set higher than the maximum operating pressure.*

13. Never attempt to adjust ASME safety valve. Keep safety valve free from paint and other accumulations.

**⚠ WARNING**

*NEVER use plastic (PVC, ABS, or CPVC) pipe for compressed air.*



**⚠ DANGER**

*WARNING: Risk of bursting. If air tank develops a leak, replace the air tank immediately. Never repair, weld, or modify the air tank or attachments. Never make adjustments to the factory set pressures. Never exceed manufacturer's maximum allowable pressure rating of attachments.*

**NOTICE**

*Drain liquid from tank daily.*

14. Tanks rust from moisture build-up, which weakens the tank. Make sure to drain tank regularly and inspect periodically for unsafe conditions such as rust formation and corrosion.  
15. Fast moving air will stir up dust and debris which may be harmful. Release air slowly when draining moisture or depressurizing the compressor system.

**⚠ WARNING**

*WARNING: Serious injury or death could occur from inhaling compressed air. Never inhale air from the air compressor either directly or from a breathing device connected to the air compressor. The air stream may contain carbon monoxide, toxic vapors or solid particles.*

*Do not spray flammable materials in vicinity of open flame or near ignition sources including the compressor unit.*

### Spraying Precautions



**⚠ WARNING**

*WARNING: Risk of fire and explosion. When a combustible liquid is sprayed there can be danger of fire or explosion, especially in a closed area. Keep the compressor/motor at least 6 meters (18 feet) away from explosive vapors.*

16. DO NOT spray flammable materials in vicinity of open flame or near ignition sources including the compressor unit. Keep away from heat, sparks and flame.  
17. DO NOT smoke. Extinguish all flames and pilot lights and turn off stoves, heaters, electric motors, and other sources of ignition during use and until all vapors are gone.  
18. Prevent build-up of vapors by opening all windows and doors to achieve cross-ventilation. Use only with adequate ventilation.  
19. Do not breathe dust, vapors, or spray mist. Ensure fresh air entry during application and drying. If you experience eye watering, headache or dizziness, wear respiratory protection (NIOSH approved or equivalent) or leave the area.  
20. Follow OSHA and CSA safety regulations for personal protective equipment. Typical equipment may include safety glasses, respirator, and/or work gloves and is dependent upon the application type, amount of use and workspace.

## SPECIFICATIONS

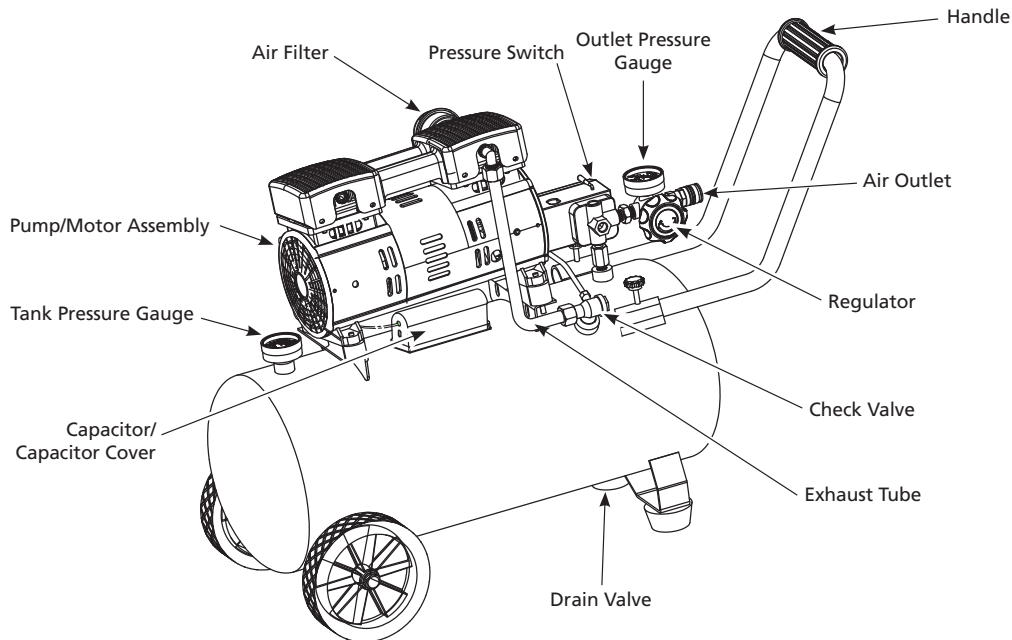
DC080500	
Motor HP	1.0
Tank Capacity	8 gallon
Phase	Single
Number of Cylinders	2
Air Delivery @ 90 psi	2.4 SCFM
Voltage	110 - 120
Amperes	7
Hertz (Cycles)	60
Maximum Pressure	125 psi
RPM	1750
Tank Outlet Size	1/4 in. IM Quick Connect
Unit Weight	61.94 pounds

---

## DIMENSIONS

DC080500	
Length	33.85 in.
Width	13.39 in.
Height	22.83 in.

## GETTING TO KNOW YOUR COMPRESSOR



**PSI (Pounds per Square Inch)** - Measurement of the pressure exerted by the force of the air. The actual psi output is measured by a pressure gauge on the compressor.

**SCFM (Standard Cubic Feet per Minute)** - Sometimes called CFM (Cubic Feet per Minute). Measurement of air volume delivered by the compressor.

**Air Delivery** - A combination of psi and SCFM. The air delivery required by a tool is stated as (number) SCFM at (number) psi. The combination of these figures determines what size unit is needed.

**Air Tank Capacity** - The volume of air stored in the tank and available for immediate use. A large tank allows the intermittent use of an air tool with an air requirement higher than the compressor's rated delivery.

**Amps or Amperage** - A measure of the electrical force minus the resistance on an electrical line. This air compressor requires 15 amps for operation. Be sure the compressor will operate on an electrical line with the proper amps. If other appliances operate on the same line, they will reduce the available amps. If the amperage is not adequate, the result will be blown fuses or tripped circuits.

**Volts or Voltage** - A measurement of the force of an electrical current.

**Cut-in/Cut-off Pressure** - Specific psi at which a compressor starts and stops while refilling the air tank.

**Pressure Switch - Auto On/Off Switch** - In the "Auto On" position, the compressor shuts off automatically when tank pressure reaches the maximum preset pressure. After air is used from the tank and drops to a preset low level, the pressure switch automatically turns the motor back on. In the "Off" position, the compressor will not operate. This switch should be in the "Off" position when connecting or disconnecting the power cord from the electrical outlet. (Figure 2)

When the pressure switch turns the motor off you will hear air leaking out of the pressure switch unloader valve for a short time. This releases the air pressure from the discharge tube and allows the compressor to restart easier.

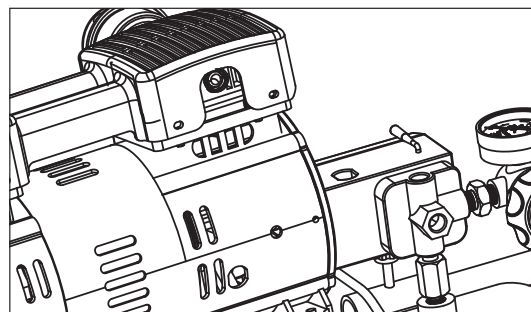


Figure 2

## GETTING TO KNOW YOUR COMPRESSOR (CONTINUED)

**Regulator** - The regulator controls the amount of air pressure at the hose outlet. Turning regulator knob clockwise (to the right) will increase air pressure at the outlet. Turning knob counterclockwise (to the left) will lower air pressure to the outlet. Turning knob fully counterclockwise will shut off flow of air completely.

**Handle** - Designed to move the compressor.

**ASME Safety Valve** - This valve automatically releases air if the tank pressure exceeds the preset maximum.

**Exhaust Tube** - This tube carries compressed air from the pump to the check valve. This tube becomes very hot during use. To avoid the risk of severe burns, never touch the exhaust tube.

**Check Valve** - One-way valve that allows air to enter the tank, but prevents air in the tank from flowing back into the compressor pump.

**Air Outlet** - A quick connect coupler designed to work in combination with a quick connect plug to quickly and easily join the compressor to an air hose.

**Pressure Gauges** - These gauges will show air pressure in the compressor tank and at the compressor outlet.

**Outlet Pressure Gauge** - Will show air pressure at the outlet in pounds per square inch (psi). Make sure this gauge reads ZERO (by adjusting regulator knob fully counterclockwise) before changing air tools or disconnecting air hose from outlet.

**Tank Pressure Gauge** - Will show air pressure in tank while the compressor is running, indicating compressor is building pressure properly. This gauge will show maximum pressure of compressor when it shuts off automatically at the pressure switch.

**Drain Valve** - This valve is located underneath the tank. Use this valve to drain moisture from the tank daily to reduce the risk of corrosion.



**CAUTION** *Drain liquid from tank daily.*

Reduce tank pressure below 10 psi, then drain moisture from tank daily to avoid tank corrosion. Drain moisture from tank by opening the drain valve located underneath the tank.

## MOTOR SPECIFICATIONS AND ELECTRICAL REQUIREMENTS

### Power Supply and Motor Specifications



#### NOTICE

*To reduce the risk of electrical hazards, fire hazards or damage to the tool, use proper circuit protection.*

#### NOTICE

*Your tool is wired at the factory for operation using the voltage shown. Connect tool to a power line with the appropriate voltage and a 15-amp branch circuit. Use a 15-amp time delay type fuse or circuit breaker.*



#### NOTICE

*To reduce the risk of shock or fire, if power cord is worn or cut, or damaged in any way, have it replaced immediately.*

The A-C motor used on this compressor is a permanent split capacitor non-reversible induction type, having the following specifications. It is wired at the factory for operation on 110V-120V AC, 60 Hz service.

### MOTOR SPECIFICATIONS

Voltage	110 - 120
Amperes	7
Hertz (Cycles)	60
Phase	Single
RPM	1750



## General Electrical Connections



### ⚠ WARNING

**WARNING:** Risk of electric shock. Use GFCI. Use indoors only. Disconnect all connections before servicing. Use identical replacement parts. Servicing must be performed by a licensed, qualified electrician.

In the event of a malfunction or breakdown, grounding provides a path of least resistance for electrical current to reduce the risk of electric shock. This compressor is equipped with an electric cord having an equipment-grounding conductor and a grounding plug, as shown. The plug must be plugged into a matching outlet that is properly installed and grounded in accordance with all local codes and ordinances.

Improper connection of the equipment-grounding conductor can result in a risk of electric shock. The conductor with insulation having an outer surface that is green with or without yellow stripes is the equipment-grounding conductor. If repair or replacement of the electric cord or plug is necessary, do not connect the equipment-grounding conductor to a live terminal.

If the grounding instructions are not completely understood, or if you are in doubt as to whether the compressor is properly grounded check with a qualified electrician or service personnel.

## Grounding Instructions

1. This product is for use on a nominal 120 v circuit. It must be grounded. In the event of an electric short circuit, grounding reduces the risk of electrical shock by providing an escape wire for the electric current. Unit is equipped with a cord that has a grounding prong. It will fit one of the common outlet types shown in Figure 3. If plug will not fit in the desired outlet, have the plug or the outlet replaced by a qualified electrician.

### ⚠ WARNING

**WARNING:** Risk of electric shock. Improper use of grounding plug can result in a risk of electrical shock. Plug must be plugged into an outlet that is properly installed and grounded in accordance with local codes and ordinances

### NOTICE

**NOTICE:** Do not use grounding adapter.

2. Always check with a qualified electrician or serviceman if the grounding instructions are not completely understood, or if in doubt as to whether the product is properly grounded. Do not modify the plug provided; if it will not fit the outlet, have the proper outlet installed by a qualified electrician.
3. Use only a 3-wire extension cord that has a 3-blade grounding plug, and a 3-slot receptacle that accepts the plug on the product. Make sure your extension cord is not damaged. When using an extension cord, be sure to use one heavy enough to carry the current your product draws. For lengths less than 25ft. 16-3 AWG extension cords shall be used. An undersized cord results in a drop in the voltage and loss of power and overheating. (NOTICE: Table 1 shows the correct size to use depending on cord length. When in doubt, use the next heavier gauge. The smaller the gauge number, the heavier the cord.)
4. Use of an extension cord may cause excess heat to motor. This could lead to tripped breaker (at electrical panel) or tripped thermal overload (on compressor motor). If this occurs, eliminate extension cord and plug compressor directly into electrical outlet. Avoid using extension cords; use longer air hose(s) instead.

*If repair or replacement of the cord or plug is necessary, do not connect the grounding wire to either flat blade terminal. The wire with insulation having an outer surface that is green with or without yellow stripes is the grounding wire.*

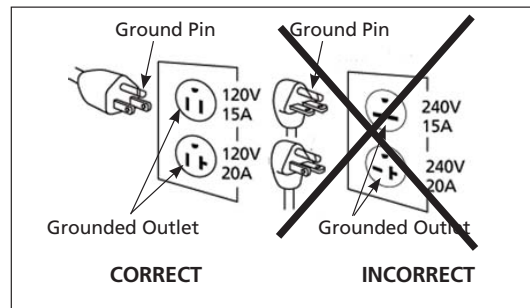


Figure 3 - Grounding Method

**MOTOR SPECIFICATIONS AND ELECTRICAL REQUIREMENTS (CONTINUED)****Extension Cords**

1. The air compressor should be located where it can be directly plugged into an outlet. Although extension cord is not recommended, if you must use only a 3 wire extension cord that has a 3 blade grounding plug and a 3 slot receptacle that accepts the plug on the product. When using an extension cord be sure to use one heavy enough to carry the current the product draws.
2. To avoid loss of power and overheating, additional air hose must be used to reach work area instead of extension cords.

AMP RATING RANGE	VOLTAGE		CORD LENGTH IN FEET							
	120V	25 ft	50 ft	100 ft	150 ft	200 ft	250 ft	300 ft	400 ft	500 ft
12-14		16	12	10	8	6	6	4	4	2

**110-120 volt, 60Hz Information**

The plug supplied on your compressor may not fit into the outlet you are planning to use. Your local electrical code may require slightly different power cord plug connections. If these differences exist refer to and make the proper adjustments per your local code before your compressor is plugged in and turned on.

**Plugs and Receptacles**

1. If the plug on the electrical cord of the unit is unfamiliar to you or will not fit your particular receptacle, Figure 2 will help you understand why by illustrating the different plugs and the voltages they are to be used with.
2. Make sure that the product is connected to an outlet having the same configuration as the plug.
3. The receptacles must be connected to circuits rated to carry at least the voltage and amperages shown.
4. NEVER have a receptacle replaced with one of a higher amperage before determining the change can be made according to all electrical codes affecting your particular area. The installation should be made by a qualified electrician. If the products must be reconnected for use on different types of circuits, the re-connection should be made by qualified personnel.

**⚠ WARNING**

*Overheating, short circuiting and fire damage will result from inadequate wiring.*

**Electrical Installation****⚠ WARNING**

*All wiring and electrical connections should be performed by a qualified electrician. Installation must be in accordance with local codes and national electrical codes.*

**Wiring**

1. Local electrical wiring codes differ from area to area. Source wiring, plug and protector must be rated for at least the amperage and voltage indicated on motor nameplate, and meet all electrical codes for this minimum.
2. Use a slow blow fuse or a circuit breaker.
3. This product is for use on a nominal 120 volt circuit and has a grounding plug that looks like the plug illustrated in Figure 3.

Make sure the product is connected to an outlet having the same configuration as the plug. This product must be grounded. In the event of an electrical short circuit, grounding reduces risk of electrical shock by providing an escape wire for electric current. This product is equipped with a cord having a grounding wire with an appropriate grounding plug. Plug must be plugged into an outlet that is properly installed and grounded in accordance with all local codes and ordinances.

**⚠ CAUTION**

*Overheating, short circuiting and fire damage will result from inadequate wiring.*

Do not modify the plug provided. If it will not fit the outlet, have the proper outlet installed by a qualified electrician.

**⚠ CAUTION** *If not properly grounded, this tool can cause an electrical shock, particularly when used in damp locations, in proximity of plumbing, outdoors.*

**⚠ DANGER** *Do not use a grounding adapter with this product!*

**⚠ WARNING** *All wiring and electrical connections should be performed by a qualified electrician. Installation must be in accordance with local codes and national electrical codes.*

**⚠ WARNING** *Improper installation of grounding plug is able to result in a risk of electric shock. When repair or replacement of the cord or plug is required, do not connect the grounding wire to either flat blade terminal. The wire with insulation having an outer surface that is green with or without yellow stripes is the grounding wire.*

**⚠ WARNING** *Never connect green (or green and yellow) wire to a live terminal.*

**⚠ CAUTION** *Overheating, short circuiting and fire damage will result from inadequate wiring, etc.*

### **Thermal Overload Protector**

This compressor has an automatic thermal protector that shuts off the motor if it overheats or has too much current. This protector is a "trip and hold" protector. To reset, unplug the compressor and allow it to completely cool. This should allow the automatic overload to reset. The protector may not reset unless it is unplugged.

*The motor must be allowed to cool down before start-up is possible. The motor may automatically restart without warning if left plugged into the electrical outlet, and the motor is turned on.*

## **INSTALLATION**

1. Check and tighten all bolts, fittings, etc., before operating compressor.
2. Operate compressor in a ventilated area so that compressor may be properly cooled.
3. Compressor should be located where it can be directly plugged into an outlet. Do not use extension cords with this unit.
4. To avoid loss of power and overheating, it is better to use additional air hose instead of extension cords to reach work area.

## **OPERATION**

### **Before first start-up**

#### **Break-in procedure**

Complete this procedure before using compressor for the first time. Once completed, it is not necessary to repeat.

1. Turn ON/OFF switch to OFF position.
2. Open the tank drain valve.
3. Plug in power cord.
4. Turn ON/OFF switch to ON position and run compressor for 30 minutes.
5. Turn ON/OFF switch to OFF position.
6. Unplug power cord.
7. Close drain valve.

The compressor is now ready for use.

**Cleaning**

Turn power OFF and clean dust and dirt from motor, tank, air lines and pump cooling fins.

**IMPORTANT:** Unit should be located as far from spraying area as hose will allow to prevent over-spray from clogging air filter.

**Air Filter**

Check air filter to be sure it is clean. To service a filter, remove the filter housing cover. Remove filter and clean foam or filter in hot, soapy water (Paper filters cannot be washed). Rinse and let dry. Replace air filters that cannot be cleaned. Place filter back in the housing base. Replace cover.

**Lubrication**

This is an oilless type compressor requiring no lubrication.

**End of Operation/Storage**

1. Turn Auto ON/OFF switch to OFF position.
2. Unplug power cord from wall outlet and wrap around handle to prevent damage when not in use.
3. Wearing safety glasses drain tank of air by pulling the ring on the safety valve. Use other hand to deflect fast moving air from being directed toward your face.
4. Drain tank of condensation by opening drain valve on bottom of tank. Tank pressure should be below 10 psi when draining tank.
5. Air hose should be disconnected from compressor and open end hanging down to drain condensation.
6. Compressor and hose should be stored in a cool, dry place.

**Technical Service**

For information regarding the operation or repair of this product, please call 1-800-543-6400.

MAINTENANCE SCHEDULE		
Operation	Daily	Weekly
Drain Tank	●	
Check Air Filter		●
Check Safety Valve		●
Blow Dirt from Inside Motor		●

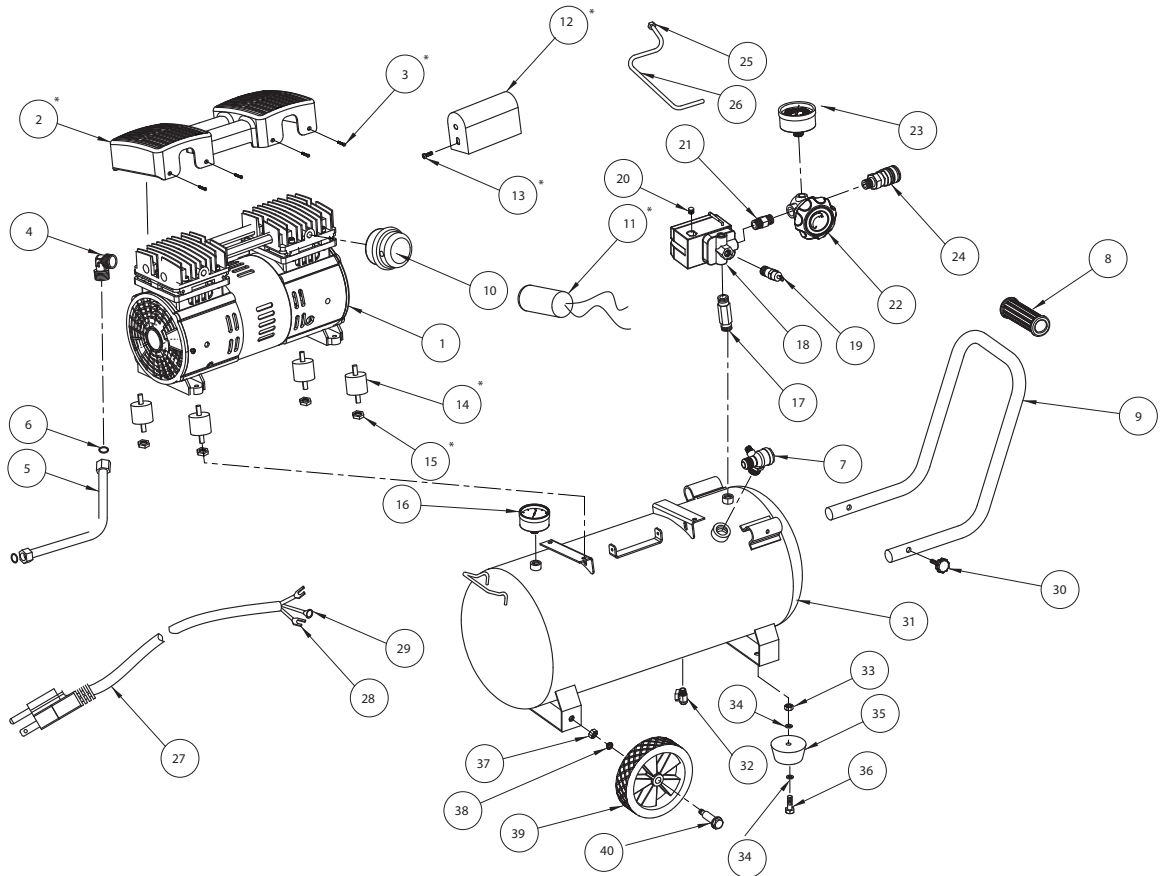
## TROUBLESHOOTING GUIDE

SYMPTOM	POSSIBLE CAUSE(S)	CORRECTIVE ACTION
Compressor will not run	1. Unit is plugged into extension cord	1. Remove extension cord or use larger gauge extension cord
	2. No electrical power	2. Turn on pressure switch? Plugged in? Check fuse/breaker or motor overload
	3. Blown fuse	3. Replace blown fuse
	4. Breaker open	4. Reset, determining why problem happened
	5. Thermal overload open	5. Unplug and allow motor to cool before trying to restart
	6. Pressure switch defective	6. Replace
	7. Shorted or open motor winding	7. Replace motor
Motor hums but cannot run or runs slowly	1. Low voltage	1. Check with voltmeter
	2. Unit is plugged into extension cord	2. Remove extension cord or use larger gauge extension cord
	3. Shorted or open motor winding	3. Replace motor
	4. Defective check valve or unloader	4. Replace or repair
Fuses blow/circuit breaker trips repeatedly	1. Incorrect size fuse, circuit overloaded	1. Check for proper fuse, use time-delay fuse. Disconnect other electrical appliances from circuit or operate compressor on its own branch circuit
	2. Unit is plugged into extension cord	2. Remove extension cord or use larger gauge extension cord
	3. Defective check valve or unloader	3. Replace or repair
Thermal overload protector cuts out repeatedly	1. Low voltage	1. Check with voltmeter
	2. Clogged air filter	2. Clean filter (see Maintenance section)
	3. Lack of proper ventilation/room temperature too high	3. Move compressor to well ventilated area
	4. Unit is plugged into extension cord	4. Remove extension cord or use larger gauge extension cord
Air tank pressure drops when compressor shuts off	1. Loose connections (fittings, tubing, etc.)	1. Check all connections with soap and water solution and tighten
	2. Loose drain valve	2. Tighten
	3. Check valve leaking	3. Disassemble check valve assembly, clean or replace
	4. Check tank for cracks or pin holes	4. Replace tank. Never repair a damaged tank.
Excessive moisture in discharge air	1. Excessive water in air tank	1. Drain tank
	2. High humidity	2. Move to area of less humidity; use air line filter
Compressor runs continuously	1. Defective pressure switch	1. Replace switch
	2. Excessive air usage	2. Decrease air usage; compressor not large enough for a requirement
	3. Air leaks	3. Check all connections with soap and water
Compressor vibrates	Loose mounting bolts	Tighten
Air output lower than normal	1. Broken inlet valves	1. Have authorized service representative repair unit
	2. Intake filter dirty	2. Clean or replace intake filter
	3. Connections leaking	3. Tighten connections

**⚠ DANGER**

*Do not disassemble check valve with air in tank; bleed tank first.*



**REPAIR PARTS ILLUSTRATION FOR DC080500**

**For Repair Parts, visit [www.campbellhausfeld.com](http://www.campbellhausfeld.com)  
24 hours a day – 365 days a year**

Please provide following information:

- Model number
- Serial number (if any)
- Part description and number as shown in parts list

**ULINE** H-10916

1-800-295-5510

0623 IH-10916VND

## REPAIR PARTS LIST FOR DC080500

Ref. No.	Description	Part Number:	Qty.
1	PUMP/MOTOR ASSEMBLY	SR060510SV	1
2	SHROUD	--	1
3	SCREW, M4 X 10	--	8
4	ELBOW	●	1
5	EXHAUST TUBE	●	1
6	WASHER	●	2
7	CHECK VALVE ASSEMBLY	SR060511SV	1
8	HANDLE GRIP	--	1
9	HANDLE	--	1
10	FILTER	SR060512SV	1
11	CAPACITOR	▲	1
12	CAPACITOR COVER	▲	1
13	SCREW, M5 X 10	▲	2
14	RUBBER BUSHING	--	4
15	NUT, M6	--	4
16	TANK GAUGE, 1/8 NPT 1.5 IN. DIA.	--	1
17	CONNECT, NPT 1/4 X 48	■	1
18	PRESSURE SWITCH	■	1
19	SAFETY VALVE	■	1
20	PLUG, 1/4 NPT	■	1
21	CONNECT, NPT 1/4 X 30	■	1
22	REGULATOR	■	1
23	OUTLET GAUGE, 1/8 NPT 2 IN. DIA.	■	1
24	COUPLER	■	1
25	RELIEF NUT	▼	1
26	UNLOADER TUBE	▼	1
27	POWER CORD	--	1
28	CABLE CONNECT U	--	2
29	CABLE CONNECT O	--	1
30	BOLT	--	2
31	TANK	--	1
32	DRAIN VALVE	SR060513SV	1
33	NUT, M8	◆	2
34	WASHER, M8	◆	4
35	RUBBER FOOT	◆	2
36	BOLT, M8 X 25	◆	2
37	NUT, M10	❖	2
38	SPRING WASHER, M10	❖	2
39	WHEEL, 6 IN.	❖	2
40	BOLT, M10 X 36.5	❖	2
<b>REPAIR PARTS KITS</b>			
▲	CAPACITOR KIT	SR060514SV	
▼	UNLOAD TUBE ASSEMBLY	SR080515SV	
◆	RUBBER FOOT KIT	SR080512SV	
●	EXHAUST TUBE KIT	SR080513SV	
■	PRESSURE SWITCH/REGULATOR KIT	SR060518SV	
❖	TANK WHEEL KIT	SR080514SV	
--	NOT AVAILABLE		

GETTING STARTED

SAFETY /  
SPECIFICATIONS

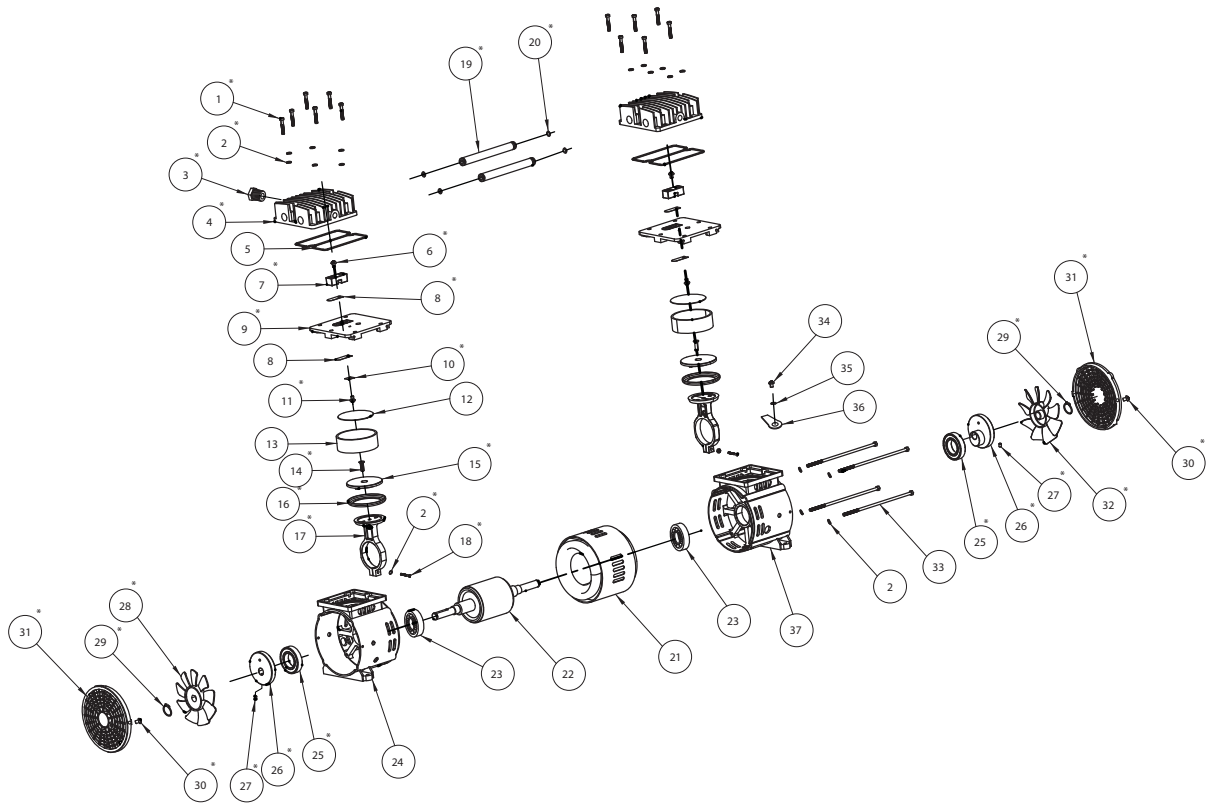
ASSEMBLY /  
INSTALLATION

OPERATION

TROUBLESHOOTING

MAINTENANCE /  
REPAIR



**REPAIR PARTS ILLUSTRATION FOR SR060510SV**

**For Repair Parts, visit [www.campbellhausfeld.com](http://www.campbellhausfeld.com)  
24 hours a day – 365 days a year**

Please provide following information:

- Model number
- Serial number (if any)
- Part description and number as shown in parts list

**ULINE** H-10916

1-800-295-5510

0623 IH-10916VND

**REPAIR PARTS LIST FOR SR060510SV**

Ref. No.	Description	Part Number:	Qty.
1	BOLT, M5 X 30	●	12
2	SPRING WASHER, M5	● ▲	18
3	RELIEF VALVE	►	1
4	CYLINDER HEAD	●	2
5	SEAL OF CYLINDER HEAD	--	2
6	SCREW, M4 X 8	■	2
7	VALVE LIFT GUARD	■	2
8	VALVE REED	■	4
9	VALVE PLATE	■	2
10	VALVE BACKER	■	2
11	SCREW, M4 X 6	■	2
12	O-RING OF CYLINDER	--	2
13	CYLINDER	--	2
14	PISTON CAP SCREW	▲	2
15	PISTON CAP	▲	2
16	PISTON RING	▲	2
17	CON-ROD	▲	2
18	CON-ROD SCREW, M5 X 20	▲	2
19	CROSSOVER TUBE	▼	2
20	O-RING FOR CROSSOVER TUBE	▼	4
21	STATOR	--	1
22	ROTOR	--	1
23	BEARING	--	2
24	FRONT END BELL	--	1
25	BEARING	◆	2
26	ECCENTRIC	◆	2
27	ECCENTRIC SCREW, M8 X 10	◆	2
28	COOLING FAN (LEFT)	○	1
29	EXTERNAL RETAINING RING	○ □	2
30	TAMPING SCREW, ST4 X 18	○ □	4
31	COOLING FAN COVER	○ □	2
32	COOLING FAN (RIGHT)	□	1
33	MOTOR BOLT, M5 X 182	--	4
34	SCREW, M4 X 6	--	1
35	WASHER, M4	--	1
36	GROUND SIGNAL	--	1
37	REAR END BELL	--	1
<b>REPAIR PARTS KITS</b>			
●	PUMP HEAD KIT	SR060519SV	
■	VALVE PLATE KIT	SR060520SV	
▲	PISTON CYLINDER KIT	SR060521SV	
▼	CROSSOVER TUBE FITTING KIT	SR060522SV	
◆	ECCENTRIC/BEARING ASSEMBLY KIT	SR060523SV	
○	FRONT END FAN KIT	SR060524SV	
□	MOTOR FAN KIT	SR060525SV	
►	COLD START VALVE KIT	SR060526SV	
--	NOT AVAILABLE		



**Reminder: Keep your dated proof of purchase for warranty purposes! Attach it to this manual or file it for safekeeping.**

### LIMITED WARRANTY

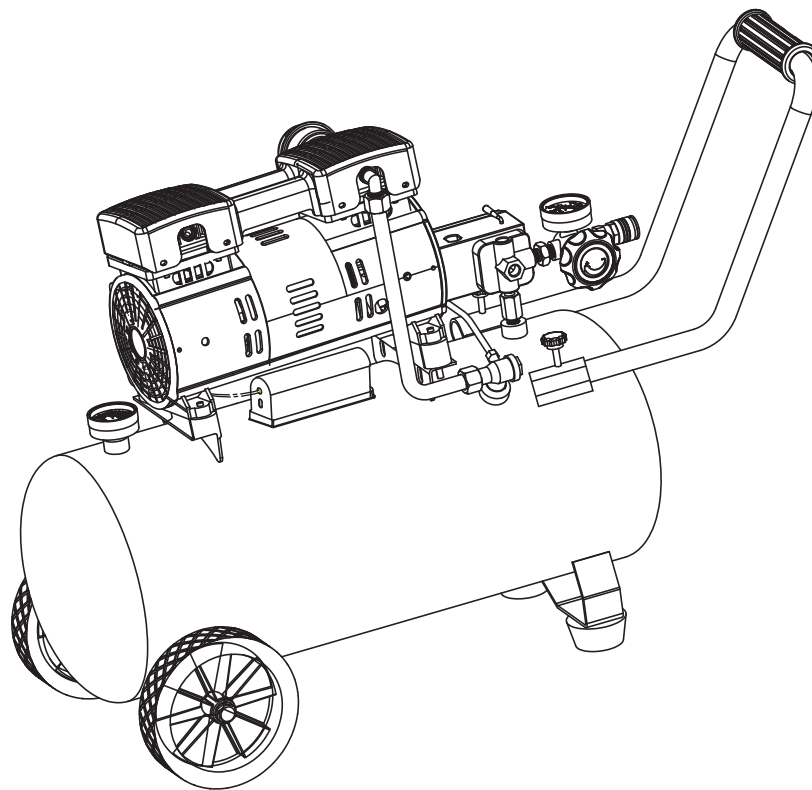
1. **DURATION:** From the date of purchase by the original purchaser as follows: One Year.
2. **WHO GIVES THIS WARRANTY (WARRANTOR):** Campbell Hausfeld a Marmon/Berkshire Hathaway Company, 100 Production Drive, Harrison, Ohio, 45030, Visit [www.campbellhausfeld.com](http://www.campbellhausfeld.com)
3. **WHO RECEIVES THIS WARRANTY (PURCHASER):** The original purchaser (other than for purposes of resale) of the Campbell Hausfeld compressor.
4. **WHAT PRODUCTS ARE COVERED BY THIS WARRANTY:** This DC080500 Campbell Hausfeld air compressor.
5. **WHAT IS COVERED UNDER THIS WARRANTY:** Parts and Labor to remedy substantial defects due to material and workmanship during the first year of ownership with the exceptions noted below. Parts only to remedy substantial defects due to material and workmanship during remaining term of coverage with exceptions noted below.
6. **WHAT IS NOT COVERED UNDER THIS WARRANTY:**
  - A. Implied warranties, including those of merchantability and FITNESS FOR A PARTICULAR PURPOSE ARE LIMITED FROM THE DATE OF ORIGINAL PURCHASE AS STATED IN THE DURATION. If the compressor is used for commercial, industrial or rental purposes, the warranty will apply for ninety (90) days from the date of purchase. Two-stage compressors are not limited to a ninety (90) day warranty when used in commercial or industrial applications. Some States do not allow limitations on how long an implied warranty lasts, so the above limitations may not apply to you
  - B. ANY INCIDENTAL, INDIRECT, OR CONSEQUENTIAL LOSS, DAMAGE, OR EXPENSE THAT MAY RESULT FROM ANY DEFECT, FAILURE, OR MALFUNCTION OF THE CAMPBELL HAUSFELD PRODUCT. Some States do not allow the exclusion or limitations of incidental or consequential damages, so the above limitation or exclusion may not apply to you.
  - C. Any failure that results from an accident, purchaser's abuse, neglect or failure to operate products in accordance with instructions provided in the owner's manual(s) supplied with compressor.
  - D. Pre-delivery service, e.g. assembly, oil or lubricants, and adjustment.
  - E. Items or service that is normally required to maintain the product, e.g. lubricants, filters and gaskets, etc.
  - F. Gasoline engines and components are expressly excluded from coverage under this limited warranty. The Purchaser must comply with the warranty given by the engine manufacturer which is supplied with the product
  - G. Additional items not covered under this warranty:
    1. Excluded items pertaining to All Compressors
      - a. Any component damaged in shipment or any failure caused by installing or operating unit under conditions not in accordance with installation and operation guidelines or damaged by contact with tools or surroundings.
      - b. Pump or valve failure caused by rain, excessive humidity, corrosive environments or other contaminants.
      - c. Cosmetic defects that do not interfere with compressor functionality.
      - d. Rusted tanks, including but not limited to rust due to improper drainage or corrosive environments.
      - e. The following components are considered normal wear items and are not covered after the first year of ownership. Electric motor, check valve, pressure switch, regulator, pressure gauges, hose, tubing, pipe, fittings and couplers, screws, nuts, hardware items, belts, pulleys, flywheel, air filter and housing, gaskets, seals, oil leaks, air leaks, oil consumption or usage, piston rings.
      - f. Tank drain valves.
      - g. Damage due to incorrect voltage or improper wiring.
      - h. Other items not listed but considered general wear parts.
      - i. Pressure switches, air governors, load/unload devices, throttle control devices and safety valves modified from factory settings.
      - j. Damage from inadequate filter maintenance.
      - k. Induction motors operated with electricity produced by a generator.
    2. Excluded items specific to Lubricated Compressors:
      - a. Pump wear or valve damage caused by using oil not specified.
      - b. Pump wear or damage caused by any oil contamination.
      - c. Pump wear or damage caused by failure to follow proper oil maintenance guidelines, operation below proper oil level or operation without oil.
  - H. Labor, service call, or transportation charges after the first year of ownership.
7. **RESPONSIBILITIES OF WARRANTOR UNDER THIS WARRANTY:** Repair or replace, at Warrantor's option, compressor or component which is defective, has malfunctioned and/or failed to conform within the duration of the specific warranty period.
8. **RESPONSIBILITIES OF PURCHASER UNDER THIS WARRANTY:**
  - A. Provide dated proof of purchase and maintenance records.
  - B. Call Campbell Hausfeld (800-543-6400) to obtain your warranty service options. Freight costs must be borne by the purchaser.
  - C. Use reasonable care in the operation and maintenance of the products as described in the owner's manual(s).
  - D. Repairs requiring overtime, weekend rates, or anything beyond the standard manufacturer warranty repair labor reimbursement rate.
  - E. Time required for any security checks, safety training, or similar for service personnel to gain access to facility.
  - F. Location of unit must have adequate clearance for service personnel to perform repairs and easily accessible.
9. **WHEN WARRANTOR WILL PERFORM REPAIR OR REPLACEMENT UNDER THIS WARRANTY:** Repair or replacement will be scheduled and serviced according to the normal work flow at the servicing location, and depending on the availability of replacement parts.

This Limited Warranty applies in the U.S., Canada and Mexico only and gives you specific legal rights. You may also have other rights which vary from State to State or country to country.



## Compresor silencioso de 8 galones

Manual de Instrucciones y Lista de Piezas



Modelo: DC080500

SP

**ULINE** H-10916

1-800-295-5510

0623 IH-10916VND



Por favor, lea y guarde estas instrucciones. Lealas cuidadosamente antes de tratar de montar, instalar, operar o dar mantenimiento al producto aquí descrito.

Protejase usted mismo y a los demás observando toda la información de seguridad. ¡El no cumplir con las instrucciones puede ocasionar daños, tanto personales como a la propiedad! Guarde estas instrucciones para referencia en el futuro.

**RECORDATORIO:** ¡guarde su comprobante de compra con fecha para fines de la garantía! Adjúntela a este manual o archívela en lugar seguro.

Para ordenar repuestos, información de productos y servicios visítenos en [www.campbellhausfeld.com](http://www.campbellhausfeld.com)

Modelo #: \_\_\_\_\_

No. de Serie #: \_\_\_\_\_

Fecha de Compra: \_\_\_\_\_

Campbell Hausfeld  
100 Production Drive  
Harrison, Ohio 45030

**¡REGISTRE SU PRODUCTO EN LÍNEA AHORA MISMO! [www.campbellhausfeld.com](http://www.campbellhausfeld.com)  
LEA Y SIGA TODAS LAS INSTRUCCIONES • GUARDE ESTAS INSTRUCCIONES • NO LAS DESECHE**

**ULINE** H-10916

1-800-295-5510

0623 IH-10916VND

## ANTES DE COMENZAR

### Descripción

Gracias por adquirir este compresor silencioso sin aceite de Campbell Hausfeld. Durante más de 100 años, hemos fabricado productos que son durables, confiables y simplemente fáciles de usar y mantener. Los compresores de aire sin aceite están destinados al uso en el hogar y en el taller. Es necesario que se realice un mantenimiento de limpieza o reemplazo del filtro de entrada en todos los modelos y se debe drenar la humedad de los receptores de aire.

## DESEMPAQUE

**⚠ PRECAUCION** *No levante ni mueva la unidad sin equipo con capacidad apropiada. Asegúrese de que la unidad está bien sujeta al dispositivo de levantamiento utilizado. No levante la unidad sujetando los tubos o enfriadores. No use la unidad para levantar otros equipos anexos.*

Después de desempacar la unidad, inspecciónela cuidadosamente para detectar cualquier daño que pueda haber ocurrido durante el envío. Verifique que no haya piezas sueltas, faltantes ni dañadas. Asegúrese de que todos los accesorios proporcionados vengan con la unidad. En caso de que tenga preguntas, o de que haya piezas dañadas o faltantes, por favor visite [www.campbellhausfeld.com](http://www.campbellhausfeld.com) para asistencia al cliente.

**⚠ ADVERTENCIA** *No debe utilizar la unidad si se ha dañado durante el envío, manejo o uso. Los daños podrían ocasionar una explosión y ocasionarle heridas o daños a su propiedad.*

## INSTRUCCIONES GENERALES DE SEGURIDAD

### Revisión general del sistema de advertencia de seguridad y sus responsabilidades

**LEA ESTE MANUAL ANTES DE USAR EL PRODUCTO EL INCUMPLIMIENTO DE LAS INSTRUCCIONES Y EL NO TOMAR LAS MEDIDAS DE PRECAUCIÓN DE SEGURIDAD DISPUESTAS EN ESTA MANUAL PODRÍA OCASIONARLE HERIDAS O LA MUERTE. CONSERVE ESTE MANUAL PARA FUTURA REFERENCIA.**

Su seguridad y la seguridad de otros dependen de que usted lea cuidadosamente y comprenda este manual. Si tiene preguntas o no entiende la información presentada en este manual, por favor visite [www.campbellhausfeld.com](http://www.campbellhausfeld.com).

Este es el símbolo de alerta de seguridad. Se usa para alertarle sobre posibles riesgos de lesiones. El significado de este símbolo de alerta de seguridad es el siguiente: **¡Atención! ¡Esté alerta! Su seguridad puede estar en riesgo.** El mensaje que aparece al lado de la advertencia puede presentarse por escrito o gráficamente. Las operaciones que pueden causar daños al producto se identifican en este manual con la palabra "AVISO".

La mayoría de los accidentes relacionados con herramientas son causados por no cumplir reglas y precauciones básicas de seguridad. Usted debe estar alerta a riesgos potenciales. Usted debe contar con el entrenamiento, habilidades y herramientas necesarios para realizar estas funciones. Campbell Hausfeld no puede anticipar todas las posibles circunstancias que podrían involucrar un riesgo potencial. Por lo tanto, las advertencias en este manual no son exhaustivas. Si se utiliza alguna herramienta, procedimiento, método de trabajo o técnica de operación que no sean específicamente recomendados por Campbell Hausfeld, usted debe asegurarse de que es seguro para usted y para otros. Usted también debe asegurarse de que el producto no será dañado ni se volverá inseguro a causa de los procedimientos de operación, lubricación, mantenimiento o reparación que elija.

### Lineamientos de seguridad

Este manual contiene información que es muy importante que se conozca y comprenda. Esta información se proporciona con fines de SEGURIDAD y para EVITAR PROBLEMAS CON EL EQUIPO. Para ayudar a reconocer esta información, observe los siguientes símbolos.

**⚠ PELIGRO** *Peligro indica una situación inminentemente peligrosa, que si no se evita, dará como resultado la muerte o lesiones graves.*

**⚠ ADVERTENCIA** *Advertencia indica una situación potencialmente peligrosa, que si no se evita, PODRÍA ocasionar la muerte o lesiones graves.*

**⚠ PRECAUCION** *Precaución indica una situación potencialmente peligrosa, que si no se evita, PUEDE dar como resultado lesiones leves o moderadas.*

**AVISO** *Aviso indica una información importante, que de no seguirla, le podría ocasionar daños al equipo.*

**INSTRUCCIONES GENERALES DE SEGURIDAD (CONTINUACIÓN)**

**IMPORTANTE o TENGA EN CUENTA:** información que requiere atención especial.

**Símbolos de Seguridad**

Los siguientes símbolos de seguridad aparecen a lo largo de este manual para advertirle de importantes peligros y precauciones de seguridad.



Lea primero el manual



Use protección para la vista y auditiva



Riesgo de incendio



Riesgo de piezas móviles



Riesgo de descarga eléctrica



Riesgo de explosión



Riesgo de electrocución



Riesgo de presión

**Proposición 65 de California**

**ADVERTENCIA** Este producto, o su cordón eléctrico, puede contener productos químicos conocidos por el estado de California como causantes de cáncer y defectos de nacimiento u otros daños reproductivos. Lave sus manos después de usar.



**ADVERTENCIA** Cuando corta lija, taladra o pule materiales como por ejemplo madera, pintura, metal, hormigón, cemento, u otro tipo de mampostería se puede producir polvo. Con frecuencia este polvo contiene productos químicos que se conocen como causantes de cáncer, defectos congénitos u otros daños reproductivos. Use equipo de protección.

**Importantes Instrucciones De Seguridad**

Sírvase leer y guardar estas instrucciones. Lea con cuidado antes de tratar de armar, instalar, manejar o darle servicio al producto descrito en este manual. Protéjase Ud. y a los demás observando todas las reglas de seguridad. El no seguir las instrucciones podría resultar en heridas y/o daños a su propiedad. Guarde este manual como referencia.

Este manual contiene información sobre seguridad, funcionamiento y mantenimiento. Si tiene preguntas, por favor visite [www.campbellhausfeld.com](http://www.campbellhausfeld.com) para asistencia al cliente.

Dado que el compresor de aire y otros componentes utilizados (bomba de material, pistolas rociadoras, filtros, lubricantes, mangueras, etc.) forman un sistema de bombeo de alta presión, se deben cumplir las siguientes precauciones de seguridad en todo momento:



1. Lea con mucha atención todos los manuales que se incluyen con este producto. Familiarícese por completo con los controles y el uso adecuado del equipo.
2. Cumpla con todos los códigos locales de electricidad y seguridad, así como lo establecido por el Código Eléctrico Nacional (National Electrical Codes, NEC) y la Ley de Ley de Salud y Seguridad Ocupacional (Occupational Safety and Health Act, OSHA) de los Estados Unidos.
3. Solo las personas que conozcan bien estas reglas de operación segura podrán usar el compresor.
4. Mantenga a los visitantes alejados y mantenga el producto lejos del alcance de los niños.
5. Utilice lentes de seguridad y protección auditiva cuando esté utilizando la unidad.
6. No se pare sobre la unidad ni la use como asidero.
7. Antes de cada uso, inspeccione el sistema de aire comprimido y los componentes eléctricos para detectar señales de daño, deterioro, debilidad o fugas. Repare o reemplace los artículos defectuosos antes de usar.
8. Revise todos los tornillos con frecuencia para asegurarse de que poseen el ajuste adecuado.



**ADVERTENCIA** Los motores, equipos y controles eléctricos pueden causar arcos eléctricos que causarán la inflamación de un gas o vapor inflamable. Nunca opere ni repare el producto en un área con gas o vapor inflamable o cerca de dicha área. Nunca almacene líquidos o gases inflamables cerca del compresor.



**ADVERTENCIA** ADVERTENCIA: No opere el producto habiendo quitado la protección.

9. Ne portez pas de vêtements lâches ou de bijoux pouvant se prendre dans les pièces mobiles de l'unité.

**ATTENTION** Les pièces du compresseur peuvent être chaudes, même si l'unité est arrêtée.

10. Tenez les doigts hors de portée d'un compresseur en fonction; les pièces en mouvement rapide et chaudes peuvent causer des blessures et/ou des brûlures.
11. Si l'équipement devait se mettre à vibrer de façon anormale, ARRÊTEZ le moteur et vérifiez immédiatement quelle en est la cause. La vibration est généralement un avertissement de problème.
12. Pour réduire les dangers d'incendie, maintenez l'extérieur du moteur libre d'huile, de solvant, ou d'excès de graisse.

**AVERTISSEMENT** Un robinet de sûreté et de décharge de code ASME comportant un réglage ne dépassant pas la pression de marche permise (PMMP) DOIT être installé dans le réservoir de ce compresseur. La soupape de sécurité ASME doit être d'une classification de débit et de pression suffisants afin de protéger les composants sous pression contre l'éclatement.

**ATTENTION** Consultez l'étiquette de spécification du compresseur quant à la pression maximale de fonctionnement. N'utilisez pas avec un manostat ou des soupapes pilotes dont le réglage dépasse la pression maximale de fonctionnement.

13. Ne tentez jamais d'ajuster une soupape de sécurité ASME. Gardez les soupape de sécurité exemptes de peinture ou autres accumulations.



**AVERTISSEMENT** Ne JAMAIS utiliser de tuyaux de plastique (PVC, ABS ou CPVC) pour l'air comprimé.

**DANGER** AVERTISSEMENT : Risque d'éclatement. Si une fuite de forme sur le réservoir, remplacez le réservoir immédiatement. Ne réparez, soudez ou modifiez jamais le réservoir d'air ou les éléments fixés. N'ajustez jamais les réglages de pression effectués en usine. Ne jamais dépasser les classification des pressions permises par le fabricant des éléments fixés.

**AVIS** Drainer quotidiennement le liquide du réservoir.

14. Les réservoirs rouillent par l'accumulation d'humidité, ce qui affaiblit le réservoir. Assurez-vous de drainer régulièrement le réservoir et d'en faire une inspection périodique quant aux conditions non sécuritaires comme la formation de rouille et la corrosion.
15. Le déplacement d'air rapide remuera la poussière et les débris, ce qui pourrait être nocif. Libérez l'air lentement lors du drainage de l'humidité ou de la dépressurisation du système de compression.

**AVERTISSEMENT** AVERTISSEMENT : Des blessures sérieuses ou le décès peut survenir par l'inhalation de l'air comprimé. N'inhalez jamais l'air d'un compresseur d'air, que ce soit directement ou par un appareil respiratoire branché au compresseur d'air. Le jet d'air peut contenir du monoxyde de carbone, des vapeurs toxiques ou des particules solides.

Ne pas pulvériser des matériaux inflammables près d'une flamme ouverte ou à proximité de sources d'ignition, y compris l'unité du compresseur.



### Précautions de pulvérisation

**AVERTISSEMENT** AVERTISSEMENT : Risque d'incendie et d'explosion. Lorsqu'un combustible liquide est pulvérisé, il peut y avoir danger d'incendie ou d'explosion, particulièrement dans un secteur fermé. Tenir le compresseur/moteur à au moins 6 m (18 pi) de toutes vapeurs explosives.

16. NE PAS pulvériser des matériaux inflammables près d'une flamme ouverte ou à proximité de sources d'ignition, y compris l'unité du compresseur. Tenir loin de la chaleur, les étincelles et les flammes.
17. NE PAS fumer. Éteignez toutes les flammes et veilleuses et arrêtez les fours, chauffages, moteurs électriques, et autres sources d'allumage pendant l'utilisation et jusqu'à ce que toutes les vapeurs soient éteintes.
18. Évitez l'accumulation de vapeurs en ouvrant des fenêtres et portes pour réaliser une ventilation croisée. N'utilisez que sous une bonne ventilation.
19. Ne respirez pas les poussières, vapeurs ou brumes de pulvérisation. Assurez-vous de l'entrée d'air frais pendant l'application et le séchage. Si vous avez les yeux larmoyant, des maux de tête ou des étourdissements, portez une protection respiratoire (approuvée NIOSH ou l'équivalent) ou quittez le secteur.
20. Respectez les règles de sécurité OSHA et CSA quant à l'équipement de protection personnelle. Un équipement typique peut comprendre des lunettes de protection, un respirateur, et/ou des gants de travail, et est dépendant du type d'application, de la quantité utilisée et du lieu de travail.



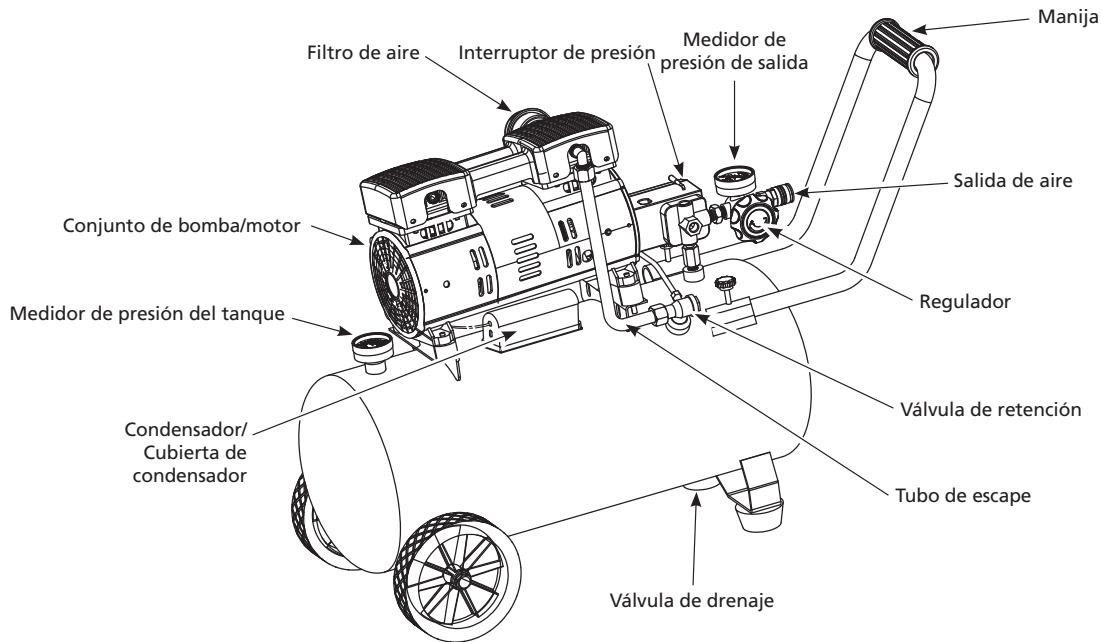
**ESPECIFICACIONES**

<b>DC080500</b>	
HP del motor	1.0
Capacidad del tanque	30,28 L
Fases	Monofásico
Número de cilindros	2
Suministro de aire a 90 psi	68 l/min
Voltaje	110 - 120
Amperios	7
Hertz (Ciclos)	60
Presión máxima	8,6 bar
RPM	1750
Tamaño de salida del tanque	1/4 pulg. Conexión rápida IM
Peso de la unidad	28.10 kg

**DIMENSIONES**

<b>DC080500</b>	
Long.	85,98 cm
Anch.	34,01 cm
Alt.	57,99 cm

## CONOZCA SU COMPRESOR



**bar / PSI (libras por pulgada cuadrada):** Medida de la presión ejercida por la fuerza del aire. La salida real en psi es medida por un medidor de presión en el compresor.

**SCFM (pies cúbicos estándar por minuto):** A veces llamado CFM (pies cúbicos por minuto). Medida del volumen de aire suministrado por el compresor.

**Suministro de aire:** Una combinación de psi y SCFM. El suministro de aire requerido por un herramienta se indica como (número) SCFM a (número) psi. La combinación de estas cifras determina cuál unidad de tamaño se necesita.

**Capacidad del tanque de aire:** El volumen de aire almacenado en el tanque disponible para el uso inmediato. Un tanque grande permite el uso intermitente de una herramienta de aire con un requerimiento de aire mayor al suministro nominal del compresor.

**Amperios o amperaje:** Una medida de potencia eléctrica de una línea eléctrica menos la resistencia. Este compresor de aire requiere 15 amperios para su funcionamiento. Asegúrese de que el compresor funcione en una línea eléctrica que use el amperaje adecuado. Si otros dispositivos operan en la misma línea, reducirán los amperios disponibles. Si el amperaje no es el adecuado, hará que los fusibles se quemen o que los circuitos se desconecten.

**Voltios o voltaje:** Una medida de la fuerza de una corriente eléctrica.

**Presión de activación/Presión de corte:** psi específica en la cual el compresor se inicia y se detiene al llenar el tanque de aire.

**Interruptor de presión:** Interruptor de encendido/apagado automático. En la posición de "Modo automático" ("Auto On") el compresor se apaga automáticamente cuando la presión del tanque alcanza la presión máxima prefijada. Después de que se usa el aire del tanque y la presión cae un nivel bajo prefijado, el interruptor de presión enciende el motor de nuevo automáticamente. El compresor no funcionará en la posición "Apagado" ("Off"). Este interruptor debe estar en la posición "Apagado" ("Off") al conectar o desconectar el cable de corriente a la toma de corriente. (Figura 2)

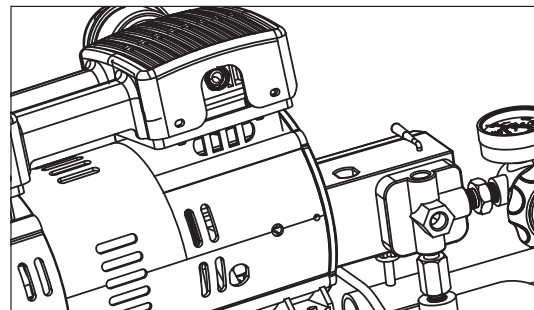


Figura 2

Cuando el interruptor de presión apague el motor, usted escuchará por unos instantes una fuga de aire que sale de la válvula de descarga del interruptor de presión. Esto indica que la presión del aire se está liberando del tubo de descarga y permite que el compresor se reinicie más fácilmente.

PARA COMENZAR

SEGURIDAD /  
ESPECIFICACIONES

MONTAJE /  
INSTALACION

OPERACION

IDENTIFICACION  
DE PROBLEMAS

MANTENIMIENTO  
/ REPARACION

**ULINE** H-10916

1-800-295-5510

0623 IH-10916VND

## CONOZCA SU COMPRESOR (CONTINUACIÓN)

**Regulador:** El regulador controla la cantidad de presión de aire en la salida de la manguera. Si gira la perilla del regulador en el sentido de las agujas del reloj (hacia la derecha), aumentará la presión de aire en la salida. Si gira la perilla del regulador en sentido contrario a las agujas del reloj (hacia la izquierda), disminuirá la presión de aire a la salida. Si gira la perilla completamente hacia la izquierda, cerrará por completo el flujo de aire.

**Manija:** Diseñada para mover el compresor.

**Válvula de seguridad ASME:** Esta válvula libera aire automáticamente si la presión del tanque sobrepasa el máximo predeterminado.

**Tubo de escape:** Este tubo transporta el aire comprimido desde la bomba hasta la válvula de retención. Este tubo se pone muy caliente cuando está en uso. Para evitar el riesgo de quemaduras graves, nunca toque el tubo de escape.

**Válvula de retención:** Válvula de una sola vía que permite que el aire entre al tanque, pero evita que el aire del tanque se devuelva a la bomba de compresor.

**Salida de aire:** Un acoplador de conexión rápida diseñado para trabajar en combinación con un enchufe de conexión rápida para unir rápida y fácilmente el compresor a una manguera de aire.

**Medidores de presión:** Estos medidores mostrarán la presión del aire en el tanque del compresor y en la salida del compresor.

**Medidor de presión de salida:** Mostrará la presión del aire en la salida en libras por pulgada cuadrada (psi). Asegúrese de que este medidor esté en CERO (ajustando la perilla del regulador completamente en sentido contrario a las agujas del reloj) antes de cambiar las herramientas de aire o desconectar la manguera de aire de la salida.

**Medidor de presión del tanque:** Mostrará la presión de aire en el tanque mientras el compresor está en uso, indicando que el compresor está acumulando la presión adecuada. Este medidor indicará la presión máxima del compresor cuando se apague automáticamente en el interruptor de presión.

**Válvula de drenaje:** Esta válvula está ubicada debajo del tanque. Use esta válvula a diario para drenar la humedad del tanque y reducir el riesgo de corrosión.

**⚠ PRECAUCION** *Drene el líquido del tanque a diario.*

Reduzca la presión del tanque a menos de 10 psi, luego drene la humedad del tanque a diario para evitar su corrosión. Drene la humedad del tanque abriendo la válvula de drenaje ubicada debajo del tanque.

## ESPECIFICACIONES DEL MOTOR Y REQUERIMIENTOS ELÉCTRICOS



### Suministro de energía y especificaciones del motor

#### AVISO

*Para reducir los riesgos eléctricos, riesgos de incendio o daños a la herramienta, use la protección de circuito adecuada.*

#### AVISO

*El cableado ha sido preparado en la fábrica para el funcionamiento con el voltaje indicado. Conecte la herramienta a una línea eléctrica con el voltaje adecuado y un circuito derivado de 15 amp. Utilice un fusible de acción retardada de 15 amp o un disyuntor.*



#### AVISO

*Para reducir el riesgo de descarga eléctrica o incendio, si el cable de energía está desgastado, cortado o dañado de cualquier forma, reemplácelo de inmediato.*

El motor AC usado en este compresor es del tipo de inducción no reversible con condensador dividido permanente, y posee las siguientes especificaciones. El cableado ha sido preparado en la fábrica para el funcionamiento con un suministro de 110 V-120 V AC, 60 Hz.

### ESPECIFICACIONES DEL MOTOR

Voltaje	110 - 120
Amperios	7
Hertz (Ciclos)	60
Fases	Monofásico
RPM	1750

**ULINE** H-10916

1-800-295-5510

0623 IH-10916VND

## Conexiones eléctricas generales

**⚠ ADVERTENCIA** *ADVERTENCIA: Riesgo de descarga eléctrica. Utilice un disyuntor de falla a tierra (GFCI). Use únicamente en espacios interiores. Desconecte todas las conexiones antes de hacer mantenimiento. Use refacciones idénticas. El servicio debe ser realizado por un electricista calificado y con licencia.*

En caso de falla o avería, la conexión a tierra ofrece una ruta de menor resistencia para la corriente eléctrica para reducir el riesgo de descarga eléctrica. Este compresor está equipado con un cable eléctrico que tiene un conductor de conexión a tierra y una clavija de tierra, como se muestra. El enchufe debe conectarse a un tomacorriente del mismo tipo que esté apropiadamente instalado y conectado a tierra de acuerdo con todos los códigos y ordenanzas locales.

La conexión inapropiada del conductor a tierra del equipo puede causar riesgo de descarga eléctrica. El conductor con aislante que tiene una superficie exterior verde con o sin bandas amarillas es el cable de conexión a tierra del equipo. Si es necesario reparar o reemplazar el cable eléctrico o el enchufe, no conecte el cable de tierra del equipo a un tomacorriente con electricidad.

Si no comprende totalmente las instrucciones para conexión a tierra, o si tiene dudas respecto a si el compresor está conectado a tierra apropiadamente, consulte a un electricista calificado o al personal de servicio.

### Instrucciones de conexión a tierra

1. Este producto debe usarse en un circuito de 120 voltios nominales. Debe estar conectado a tierra. En caso de cortocircuito eléctrico, la conexión a tierra reduce el riesgo de descarga eléctrica al proporcionar un cable de escape para la corriente eléctrica. La unidad está equipada con un cable que tiene una clavija de tierra. Encajará en uno de los tipos comunes de tomacorriente que se muestran en la Figura 3. Si el enchufe no encaja en el tomacorriente deseado, haga que un electricista calificado cambie el enchufe o el tomacorriente.

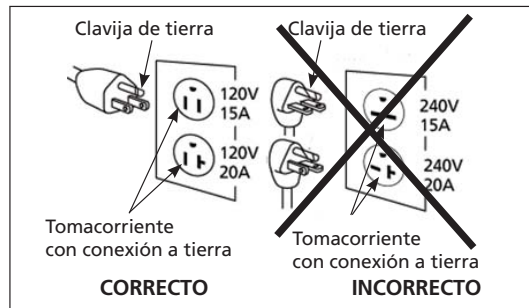


Figura 3: Método de conexión a tierra

**⚠ ADVERTENCIA** *ADVERTENCIA: Riesgo de descarga eléctrica. El uso inapropiado de la clavija de conexión a tierra puede causar un riesgo de descarga eléctrica. El enchufe debe conectarse a un tomacorriente que esté apropiadamente instalado y conectado a tierra de acuerdo con los códigos y ordenanzas locales.*

### AVISO

*AVISO: No use un adaptador para la conexión a tierra.*

2. Siempre consulte a un electricista calificado o al personal de servicio si no comprende totalmente las instrucciones para conexión a tierra, o si tiene dudas respecto a si el producto está conectado a tierra apropiadamente. No modifique el enchufe proporcionado; si no encaja en el tomacorriente, haga que un electricista calificado instale el tomacorriente apropiado.
3. Utilice sólo una extensión de 3 cables que tenga un enchufe de 3 clavijas con conexión a tierra y un tomacorriente de 3 agujeros que acepte el enchufe del producto. Asegúrese de que su cable de extensión no está dañado. Al usar un cable de extensión, asegúrese de usar uno lo suficientemente robusto para llevar la corriente que demanda su producto. Para longitudes menores a 25 pies. Deben usarse cables de extensión 16-3 AWG. Un cable demasiado pequeño causará una caída de voltaje y pérdida de potencia y sobrecalentamiento. (AVISO: La Tabla 1 muestra el tamaño correcto a usar dependiendo de la longitud del cable. En caso de duda, use el calibre superior. Mientras menor sea el número de calibre, más pesado será el cable).
4. El uso de un cable de extensión puede causar exceso de calor en el motor. Esto podría llevar a que se active el disyuntor (en el panel eléctrico) o el protector térmico (en el motor del compresor). Si ocurre esto, elimine el cable de extensión y conecte el compresor directamente en el tomacorriente. Evite usar cables de extensión; en lugar de esto, use mangueras de aire más largas.

*Si es necesario reparar o reemplazar el cable o el enchufe, no conecte el cable de tierra a ninguna de las terminales planas. El cable con aislante que tiene una superficie exterior verde con o sin bandas amarillas es el cable de tierra.*

**ESPECIFICACIONES DEL MOTOR Y REQUERIMIENTOS ELÉCTRICOS (CONTINUACIÓN)****Cables de extensión**

1. El compresor de aire debe colocarse donde pueda conectarse directamente a un tomacorriente. Aunque no se recomienda usar un cable de extensión, si es necesario utilice sólo una extensión de 3 conductores que tenga un enchufe de 3 clavijas con conexión a tierra y un receptáculo de 3 agujeros que acepte el enchufe del producto. Cuando use un cable de extensión, asegúrese de usar uno lo bastante robusto para llevar la corriente que demanda el producto.
2. Para evitar pérdida de potencia y sobrecalentamiento, debe usarse una manguera de aire adicional para alcanzar el área de trabajo en lugar de cables de extensión.

RANGO DE CAPACIDAD EN AMPERIOS	VOLTAJE		LONGITUD DEL CABLE EN PIES							
	120 V	25 pies	50 pies	100 pies	150 pies	200 pies	250 pies	300 pies	400 pies	500 pies
12-14		16	12	10	8	6	6	4	4	2

**Información sobre el uso de 110-120 volt, 60Hz:**

El enchufe suministrado con su compresor podría no encajar en el tomacorriente que planea usar. Su código eléctrico local podría requerir conexiones eléctricas ligeramente distintas. Si existen estas diferencias, consulte su código local y haga los ajustes requeridos de acuerdo al código local antes de conectar y encender su compresor.

**Enchufes y tomacorrientes**

1. Si el enchufe del cable de alimentación de la unidad no le resulta familiar o no encaja en su tomacorriente, la Figura 2 le ayudará a entender por qué, ya que ilustra los diferentes tipos de enchufe y los voltajes con los que se utilizan.
2. Asegúrese de que el producto se conecte a un tomacorriente que tenga la misma configuración que el enchufe.
3. Los tomacorrientes deben estar conectados a circuitos con la capacidad nominal de surtir al menos el voltaje y amperaje indicados.
4. NUNCA reemplace un tomacorriente con uno de mayor amperaje antes de determinar que el cambio es factible de acuerdo con todos los códigos eléctricos que afecten su área específica. La instalación debe ser hecha por un electricista calificado. Si los productos deben reconectarse para su uso en diferentes tipos de circuitos, la reconexión debe ser realizada por personal calificado.

**⚠ ADVERTENCIA**

*El cableado inadecuado causará sobrecalentamiento, cortocircuitos y daños por incendio.*

**Instalación eléctrica****⚠ ADVERTENCIA**

*Todo el cableado y las conexiones eléctricas deben ser realizados por un electricista calificado. La instalación debe cumplir con los códigos locales y los códigos eléctricos nacionales.*

**Cableado**

1. Los códigos locales de cableado eléctrico cambian de un área a otra. El cableado de alimentación, el enchufe y el protector deben tener capacidad, al menos, para el amperaje y voltaje que aparecen en la placa del motor, y deben cumplir con todos los códigos eléctricos para estos valores mínimos.
2. Use un fusible de acción retardada o un disyuntor.
3. Este producto debe usarse en un circuito para 120 voltios nominales y tiene un conector a tierra parecido al que aparece en la Figura 3.

Asegúrese de que el producto esté conectado a un tomacorriente que tenga la misma configuración que el enchufe. Este producto debe estar conectado a tierra. En caso de un cortocircuito eléctrico, la conexión a tierra reduce el riesgo de descarga eléctrica al proporcionar un cable de escape a la corriente eléctrica. Este producto está equipado con un cable que tiene un conductor a tierra con un enchufe apropiado de conexión a tierra. El enchufe debe conectarse a un tomacorriente que esté apropiadamente instalado y conectado a tierra de acuerdo con todos los códigos y ordenanzas locales.

**⚠ PRECAUCION**

*El cableado inadecuado causará sobrecalentamiento, cortocircuitos y daños por incendio.*

No modifique el enchufe proporcionado. Si no encaja en el tomacorriente, haga que un electricista calificado instale el tomacorriente apropiado.

**⚠ PRECAUCION** *Si no está conectado a tierra de manera apropiada, esta herramienta puede causar descargas eléctricas, en especial cuando se usa en lugares mojados, cerca de tuberías, exteriores*

**⚠ PELIGRO** *¡No use un adaptador de tierra con este producto!*

**⚠ ADVERTENCIA** *Todo el cableado y las conexiones eléctricas deben ser realizados por un electricista calificado. La instalación debe cumplir con los códigos locales y los códigos eléctricos nacionales.*

**⚠ ADVERTENCIA** *la instalación inapropiada de la clavija de conexión a tierra puede causar un riesgo de descarga eléctrica. Cuando sea necesario reparar o reemplazar el cable o el enchufe, no conecte el cable de tierra a ninguna de las terminales planas. El cable con aislante que tiene una superficie exterior verde con o sin bandas amarillas es el cable de tierra.*

**⚠ ADVERTENCIA** *Nunca conecte el cable verde (o el verde y amarillo) a una terminal viva.*

**⚠ PRECAUCION** *El cableado inadecuado causará sobrecalentamiento, cortocircuitos, daños por incendio, etc.*

### **Protector de sobrecarga térmica**

Este compresor tiene un protector térmico automático que apaga el motor si se sobrecalienta o tiene demasiada corriente. Este protector es del tipo "disparar y sostener". Para reiniciarlo, desconecte el compresor y permita que se enfríe por completo. Esto debería permitir que la sobrecarga automática se reinicie. El protector no se reiniciará si no se desconecta.

*Debe permitir que el motor se enfríe antes de que pueda iniciarlo. El motor puede reiniciarse automáticamente sin avisar si se deja conectado al tomacorriente eléctrico y el motor está encendido.*

## **INSTALACIÓN**

1. Revise y apriete todos los pernos, accesorios, etc., antes de operar el compresor.
2. Opere el compresor en un área ventilada para que pueda enfriarse adecuadamente.
3. El compresor debe colocarse en donde pueda conectarse directamente a un tomacorriente. No use cables de extensión con esta unidad.
4. Para evitar la pérdida de potencia y el sobrecalentamiento, debe usarse una manguera de aire adicional para alcanzar el área de trabajo, en lugar de cables de extensión eléctrica.

## **OPERACIÓN**

### **Procedimiento de rodaje antes de usar por primera vez**

Complete este procedimiento antes de usar el compresor por primera vez. Una vez completado, no es necesario repetirlo.

1. Coloque el interruptor encendido/apagado en la posición de apagado.
2. Abra la válvula de drenaje del tanque.
3. Conecte el cable de alimentación.
4. Coloque el interruptor de encendido/apagado en la posición de encendido y opere el compresor por 30 minutos.
5. Coloque el interruptor encendido/apagado en la posición de apagado.
6. Desconecte el cable de alimentación.
7. Cierre la válvula de drenaje.

Ahora el compresor está listo para usar.

**Limpieza**

Apague la alimentación y limpie el polvo y la suciedad del motor, tanque, líneas de aire y aletas de enfriamiento de la bomba.

**IMPORTANTE:** La unidad debe colocarse tan lejos del área de rociado como lo permita la manguera para evitar que el sobrerociado obstruya el filtro de aire.

**Filtro de aire**

Revise el filtro de aire para asegurarse de que esté limpio. Para limpiar un filtro, retire la tapa de la carcasa del filtro. Retire el filtro y limpie la espuma o filtro en agua jabonosa, caliente (los filtros de papel no pueden lavarse). Enjuague y deje secar. Reemplace los filtros de aire que no se pueden limpiar. Coloque de nuevo el filtro en la base de la carcasa. Coloque la carcasa de nuevo.

**Lubricación**

Este es un tipo de compresor sin aceite que no requiere lubricación.

**Fin del funcionamiento/almacenamiento**

1. Coloque el interruptor de ENCENDIDO/APAGADO automático en la posición de apagado.
2. Desconecte el cable de alimentación del tomacorriente de la pared y enróllelo alrededor de la manilla para evitar que se dañe cuando no se use.
3. Usando anteojos de seguridad, hale el anillo de la válvula de seguridad para drenar el tanque de aire. Use su otra mano para desviar el aire a alta velocidad y evitar que se dirija hacia su cara.
4. Drene el tanque de condensación abriendo la válvula de drenaje en la parte inferior del tanque. Cuando se drena el tanque, la presión de este debe estar por debajo de los 10 psi.
5. La manguera de aire debe estar desconectada del compresor y el extremo abierto debe colgar hacia abajo para drenar la condensación.
6. El compresor y la manguera deben almacenarse en un lugar seco y fresco.

**Servicio técnico**

Para obtener información relativa al funcionamiento o reparación de este producto, llame al 1-800-543-6400.

PROGRAMA DE MANTENIMIENTO		
Operación	Diaria	Semanal
Drene el tanque	●	
Revise el filtro de aire		●
Revise la válvula de seguridad		●
Sople la suciedad de la parte interna del motor		●

## GUIA DE IDENTIFICACION DE PROBLEMAS

SÍNTOMA	CAUSA(S) POSIBLE(S)	MEDIDA CORRECTIVA
El compresor no funciona	1. La unidad está enchufada a un cable de extensión	1. Retire el cable de extensión o use una extensión más grande
	2. No hay energía eléctrica	2. ¿Encendió el interruptor de presión? ¿Está enchufado? Revise el fusible/disyuntor o sobrecarga del motor
	3. Fusible fundido	3. Reemplace el fusible fundido
	4. Disyuntor abierto	4. Reinicie, determine por qué ocurrió el problema
	5. Sobrecarga térmica abierta	5. Desconecte y deje que el motor se enfríe antes de intentar reiniciar
	6. Interruptor de presión defectuoso	6. Reemplace
	7. El embobinado del motor está abierto o cortado	7. Reemplace el motor
El motor zumba pero no funciona o funciona con lentitud	1. Voltaje bajo	1. Revise con un voltímetro
	2. La unidad está enchufada a un cable de extensión	2. Retire el cable de extensión o use una extensión más grande
	3. El embobinado del motor está abierto o en cortocircuito	3. Reemplace el motor
	4. Válvula de retención o descargador defectuoso	4. Reemplace o repare
Los fusibles están fundidos/el disyuntor falla repetidamente	1. Tamaño incorrecto de los fusibles, circuito sobrecargado	1. Revise que sea el fusible adecuado, use fusibles con retardador. Desconecte los otros artefactos eléctricos del circuito u opere el compresor en su propia rama de circuito
	2. La unidad está enchufada a un cable de extensión	2. Retire el cable de extensión o use una extensión más grande
	3. Válvula de retención o descargador defectuoso	3. Reemplace o repare
El protector de sobrecarga térmica se daña con frecuencia	1. Voltaje bajo	1. Revise con un voltímetro
	2. Filtro de aire obstruido	2. Limpie el filtro (vea la sección de Mantenimiento)
	3. Falta de ventilación adecuada /la temperatura de la habitación es muy alta	3. Mueva el compresor a un área con buena ventilación
	4. La unidad está enchufada a un cable de extensión	4. Retire el cable de extensión o use una extensión más grande
La presión del tanque de aire baja cuando el compresor se apaga	1. Las conexiones están flojas (conectores, tubería, etc.)	1. Revise todas las conexiones con una solución de agua y jabón y apriete
	2. Válvula de drenaje floja	2. Apriete
	3. La válvula de retención tiene una fuga	3. Desarme el ensamblaje de la válvula de retención, limpie o reemplace
	4. Revise el tanque para detectar grietas o agujeros.	4. Cambie el tanque. Nunca repare un tanque dañado.
Exceso de humedad al descargar el aire	1. Exceso de agua en el tanque de aire	1. Drene el tanque
	2. Humedad alta	2. Mueva a un área con menos humedad; use el filtro de la línea de aire
El compresor funciona continuamente	1. Interruptor de presión defectuoso	1. Reemplace el interruptor
	2. Uso excesivo de aire	2. Disminuir el uso de aire; el compresor no es lo suficientemente amplio para un requerimiento
	3. Fugas de aire	3. Revise todas las conexiones con una solución de agua y jabón
El compresor vibra La salida de aire es más baja de lo normal	Pernos de montaje flojos	Apriete
	1. Válvulas de entrada rotas	1. Haga que un representante de servicio autorizado repare la unidad
	2. El filtro de entrada está sucio	2. Limpie o reemplace el filtro de entrada
3. Las conexiones tienen una fuga	3. Apriete las conexiones	

**⚠ PELIGRO** No desarme la válvula de retención cuando haya presión de aire en el tanque; primero, drene el tanque.



**NOTAS**

Lined area for notes, consisting of 25 horizontal lines.

PARA COMENZAR

SEGURIDAD /  
ESPECIFICACIONES

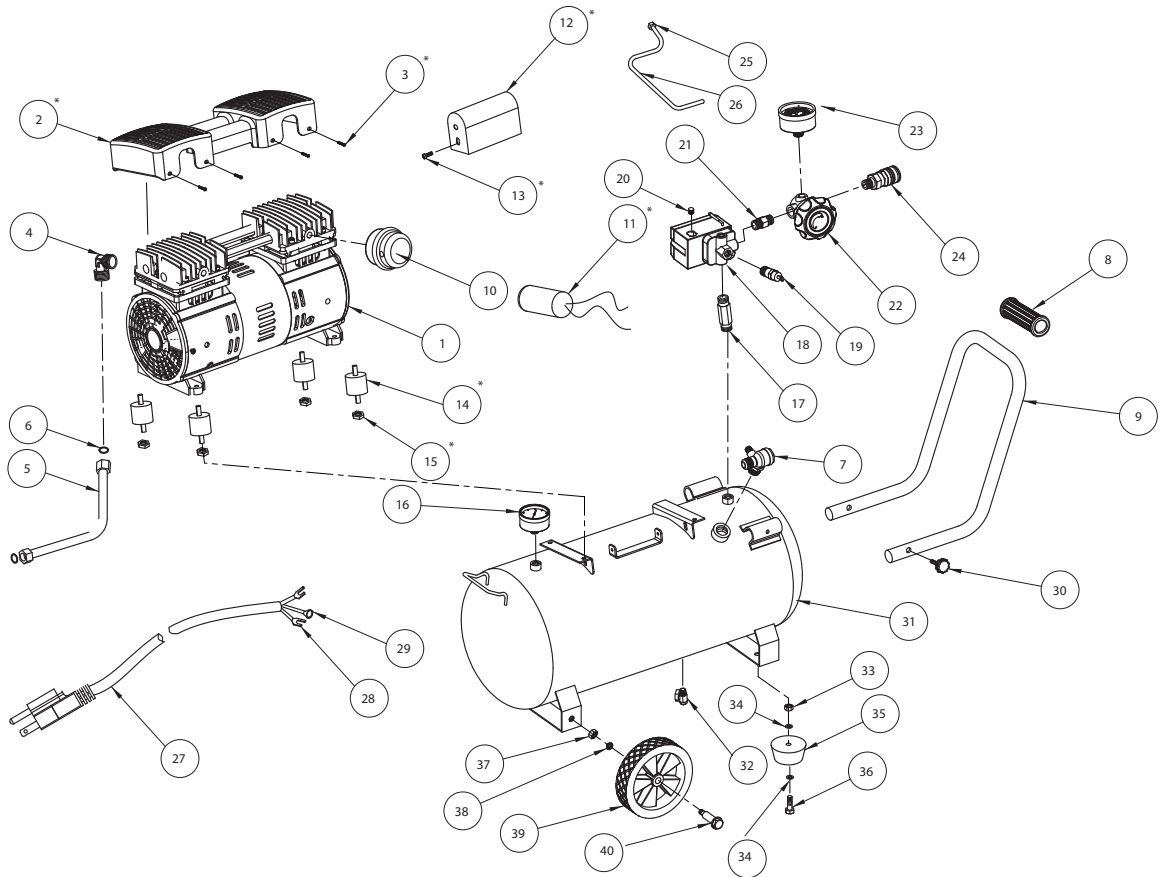
MONTAJE / INSTALACION

OPERACION

IDENTIFICACION  
DE PROBLEMAS

MANTENIMIENTO  
/ REPARACION

## ILUSTRACIÓN DE LOS REPUESTOS PARA DC080500



**Para Repuestos, visite [www.campbellhausfeld.com](http://www.campbellhausfeld.com)  
24 horas al día, 365 días al año**

Por favor proporcione la siguiente información:

- Número de modelo
- Número de serie (si lo tiene)
- Descripción de la parte y número que le corresponde en la lista de partes

## ILUSTRACIÓN DE LOS REPUESTOS PARA SR060510SV

No. de Ref.	Descripción	Número de Parte:	Cant.
1	PERNO, M5 X 30	●	12
2	ARANDELA DE PRESIÓN, M5	● ▲	18
3	VÁLVULA DE ALIVIO	▶	1
4	CABEZAL DEL CILINDRO	●	2
5	SELLO DEL CABEZAL DEL CILINDRO	--	2
6	TORNILLO, M4 X 8	■	2
7	PROTECTOR DE VÁLVULA DE ELEVACIÓN	■	2
8	LENGÜETA DE LA VÁLVULA	■	4
9	PLACA DE LA VÁLVULA	■	2
10	FONDO DE LA VÁLVULA	■	2
11	TORNILLO, M4 X 6	■	2
12	ANILLO EN FORMA DE O DEL CILINDRO	--	2
13	CILINDRO	--	2
14	TORNILLO DE LA TAPA DEL PISTÓN	▲	2
15	TAPA DEL PISTÓN	▲	2
16	ANILLO DEL PISTÓN	▲	2
17	BIELA	▲	2
18	TORNILLO DE BIELA, M5 X 20	▲	2
19	TUBO DE FUSIÓN	▼	2
20	ANILLO EN FORMA DE O PARA TUBO DE FUSIÓN	▼	4
21	ESTATOR	--	1
22	ROTOR	--	1
23	RODAMIENTO	--	2
24	CAMPANA TERMINAL FRONTAL	--	1
25	RODAMIENTO	◆	2
26	EXCÉNTRICO	◆	2
27	TORNILLO EXCÉNTRICO, M8 X 10	◆	2
28	VENTILADOR (IZQUIERDO)	○	1
29	ANILLO EXTERNO DE RETENCIÓN	○ □	2
30	TORNILLO COMPACTO, ST4 X 18	○ □	4
31	TAPA DEL VENTILADOR	○ □	2
32	VENTILADOR (DERECHO)	□	1
33	PERNO DE MOTOR, M5 X 182	--	4
34	TORNILLO, M4 X 6	--	1
35	ARANDELA, M4	--	1
36	CONEXIÓN A TIERRA	--	1
37	CAMPANA TERMINAL TRASERA	--	1
<b>KITS DE REPUESTOS</b>			
●	KIT DE CABEZAL DE BOMBA	SR060519SV	
■	KIT DE PLACA DE VÁLVULA	SR060520SV	
▲	KIT DE CILINDRO DE PISTÓN	SR060521SV	
▼	KIT DE AJUSTE DE TUBO DE FUSIÓN	SR060522SV	
◆	KIT DE MONTAJE DE RODAMIENTO/EXCÉNTRICO	SR060523SV	
○	KIT DE VENTILADOR TERMINAL DELANTERO	SR060524SV	
□	KIT DE VENTILADOR DE MOTOR	SR060525SV	
▶	KIT DE VÁLVULA DE ARRANQUE EN FRÍO	SR060526SV	
--	NO DISPONIBLE		

PARA COMENZAR

SEGURIDAD /  
ESPECIFICACIONES

MONTAJE / INSTALACION

OPERACION

IDENTIFICACION  
DE PROBLEMAS

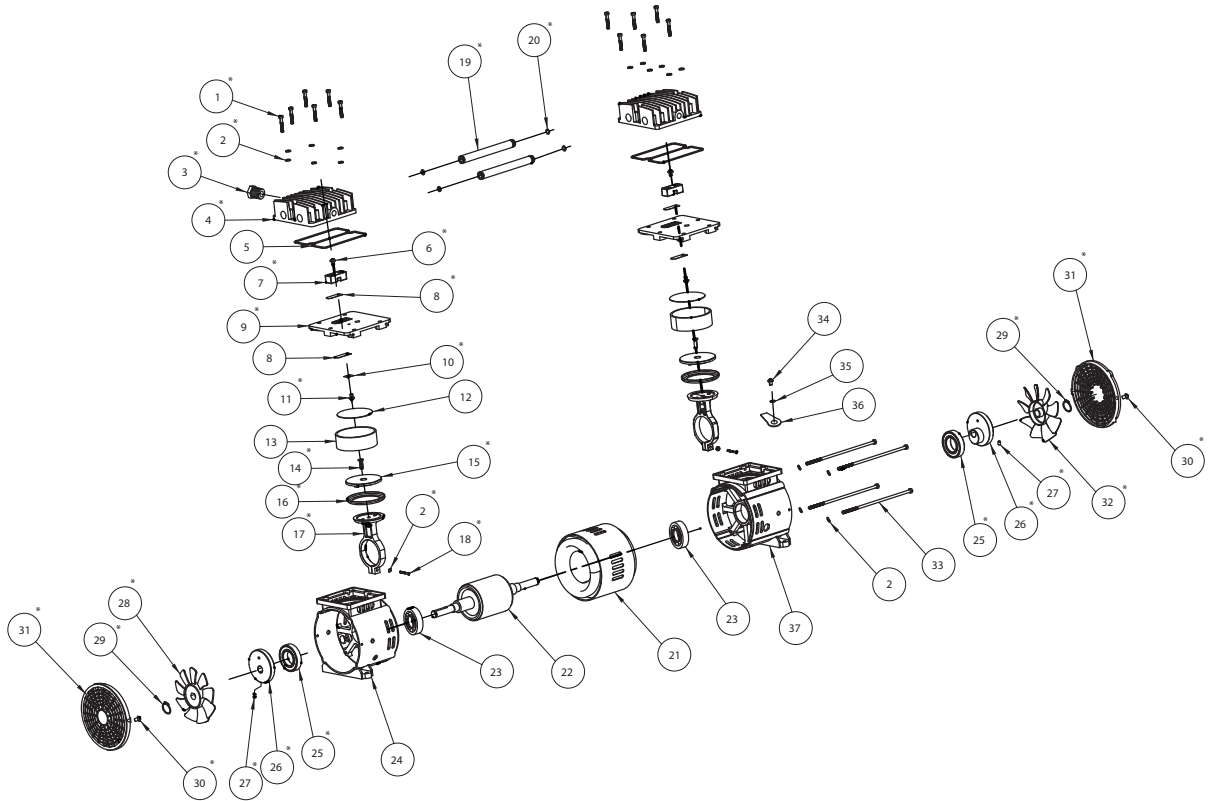
MANTENIMIENTO  
/ REPARACION

**ULINE** H-10916

1-800-295-5510

0623 IH-10916VND

## ILUSTRACIÓN DE LOS REPUESTOS PARA SR060510SV



**Para Repuestos, visite [www.campbellhausfeld.com](http://www.campbellhausfeld.com)  
24 horas al día, 365 días al año**

Por favor proporcione la siguiente información:

- Número de modelo
- Número de serie (si lo tiene)
- Descripción de la parte y número que le corresponde en la lista de partes

## ILUSTRACIÓN DE LOS REPUESTOS PARA SR060510SV

No. de Ref.	Descripción	Número de Parte:	Cant.
1	PERNO, M5 X 30	●	12
2	ARANDELA DE PRESIÓN, M5	● ▲	18
3	VÁLVULA DE ALIVIO	►	1
4	CABEZAL DEL CILINDRO	●	2
5	SELLO DEL CABEZAL DEL CILINDRO	--	2
6	TORNILLO, M4 X 8	■	2
7	PROTECTOR DE VÁLVULA DE ELEVACIÓN	■	2
8	LENGÜETA DE LA VÁLVULA	■	4
9	PLACA DE LA VÁLVULA	■	2
10	FONDO DE LA VÁLVULA	■	2
11	TORNILLO, M4 X 6	■	2
12	ANILLO EN FORMA DE O DEL CILINDRO	--	2
13	CILINDRO	--	2
14	TORNILLO DE LA TAPA DEL PISTÓN	▲	2
15	TAPA DEL PISTÓN	▲	2
16	ANILLO DEL PISTÓN	▲	2
17	BIELA	▲	2
18	TORNILLO DE BIELA, M5 X 20	▲	2
19	TUBO DE FUSIÓN	▼	2
20	ANILLO EN FORMA DE O PARA TUBO DE FUSIÓN	▼	4
21	ESTATOR	--	1
22	ROTOR	--	1
23	RODAMIENTO	--	2
24	CAMPANA TERMINAL FRONTAL	--	1
25	RODAMIENTO	◆	2
26	EXCÉNTRICO	◆	2
27	TORNILLO EXCÉNTRICO, M8 X 10	◆	2
28	VENTILADOR (IZQUIERDO)	○	1
29	ANILLO EXTERNO DE RETENCIÓN	○ □	2
30	TORNILLO COMPACTO, ST4 X 18	○ □	4
31	TAPA DEL VENTILADOR	○ □	2
32	VENTILADOR (DERECHO)	□	1
33	PERNO DE MOTOR, M5 X 182	--	4
34	TORNILLO, M4 X 6	--	1
35	ARANDELA, M4	--	1
36	CONEXIÓN A TIERRA	--	1
37	CAMPANA TERMINAL TRASERA	--	1
<b>KITS DE REPUESTOS</b>			
●	KIT DE CABEZAL DE BOMBA	SR060519SV	
■	KIT DE PLACA DE VÁLVULA	SR060520SV	
▲	KIT DE CILINDRO DE PISTÓN	SR060521SV	
▼	KIT DE AJUSTE DE TUBO DE FUSIÓN	SR060522SV	
◆	KIT DE MONTAJE DE RODAMIENTO/EXCÉNTRICO	SR060523SV	
○	KIT DE VENTILADOR TERMINAL DELANTERO	SR060524SV	
□	KIT DE VENTILADOR DE MOTOR	SR060525SV	
►	KIT DE VÁLVULA DE ARRANQUE EN FRÍO	SR060526SV	
--	NO DISPONIBLE		

PARA COMENZAR

SEGURIDAD /  
ESPECIFICACIONES

MONTAJE / INSTALACION

OPERACION

IDENTIFICACION  
DE PROBLEMAS

MANTENIMIENTO  
/ REPARACION

**ULINE** H-10916

1-800-295-5510

0623 IH-10916VND



**Recordatorio: ¡Guarde su comprobante de compra con fecha para fines de la garantía! Adjúntela a este manual o archívela en lugar seguro.**

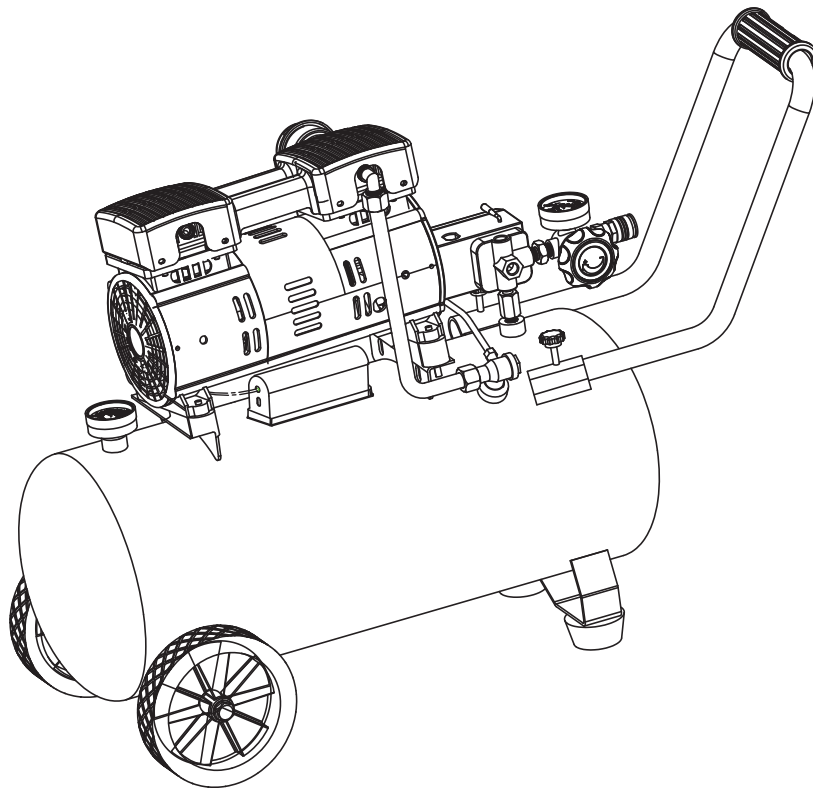
## **GARANTÍA LIMITADA**

1. DURACIÓN: A partir de la fecha en la que el comprador original hizo la compra, de la siguiente manera: Un año.
  2. QUIÉN DA ESTA GARANTÍA (GARANTE): Campbell Hausfeld una Compañía de Marmon/Berkshire Hathaway, 100 Production Drive, Harrison, Ohio, 45030, Visite [www.campbellhausfeld.com](http://www.campbellhausfeld.com)
  3. QUIÉN RECIBE ESTA GARANTÍA (COMPRADOR): El comprador original (excepto con la intención de revender) del compresor Campbell Hausfeld.
  4. QUÉ PRODUCTOS ESTÁN CUBIERTOS POR ESTA GARANTÍA: Este compresor de aire DC080500 Campbell Hausfeld.
  5. QUÉ ESTÁ CUBIERTO BAJO ESTA GARANTÍA: Repuestos y Trabajo para reparar defectos sustanciales debido al material y la mano de obra durante el primer año de propiedad, salvo en las excepciones a continuación. Repuestos solo para reparar defectos sustanciales debidos al material y la mano de obra durante el tiempo restante de cobertura, salvo en las excepciones a continuación.
  6. QUÉ NO ESTÁ CUBIERTO BAJO ESTA GARANTÍA:
    - A. Las garantías implícitas, incluidas aquellas de comerciabilidad y APTAS PARA UN PROPÓSITO PARTICULAR, ESTÁN LIMITADAS A PARTIR DE LA FECHA DE LA COMPRA ORIGINAL SEGÚN LO DECLARADO EN LA DURACIÓN. Si el compresor se usa con fines comerciales, industriales o de alquiler, la garantía tendrá un período de noventa (90) días a partir de la fecha de compra. Los compresores de dos etapas no están limitados por la garantía de noventa (90) días cuando se usan en aplicaciones comerciales o industriales. Algunos estados no permiten limitar el plazo de una garantía implícita, así que esta limitación podría no aplicar en su caso
    - B. CUALQUIER PÉRDIDA, DAÑO O GASTO, YA SEA INCIDENTAL, INDIRECTO O CONSECUENCIAL, QUE PUEDA RESULTAR DE CUALQUIER DEFECTO, FALLA O MAL FUNCIONAMIENTO DEL PRODUCTO DE CAMPBELL HAUSFELD. Algunos estados no permiten la exclusión o limitación de los daños incidentales o consecuenciales, así que esta limitación o exclusión podría no aplicar en su caso.
    - C. Cualquier falla que resulte de un accidente, abuso por parte del comprador, negligencia o falla al momento de operar los productos de acuerdo con las instrucciones proporcionadas en el manual de usuario que viene con el compresor.
    - D. Servicio de envío previo, por ejemplo, aceite o lubricantes y ajustes.
    - E. Artículos o servicios que, por lo general, sean requeridos para mantener el producto, por ejemplo lubricantes, filtros y juntas, etc.
    - F. Los motores de gasolina y los componentes quedan expresamente excluidos de la cobertura bajo esta garantía limitada. El comprador debe cumplir con la garantía otorgada por el fabricante del motor, la cual se suministra con el producto
    - G. Artículos adicionales no cubiertos por esta garantía:
      1. Artículos excluidos pertenecientes a Todos los Compresores
        - a. Cualquier componente dañado durante el envío o cualquier falla causada por la instalación u operación de la unidad en condiciones no acordes con las instrucciones de instalación y operación, o dañado por el contacto con herramientas o alrededores.
        - b. Falla de la bomba o válvula causada por la lluvia, exceso de humedad, ambientes corrosivos u otros contaminantes.
        - c. Defectos cosméticos que no interfieran con la funcionalidad del compresor.
        - d. Tanques oxidados, incluido, pero sin limitarse al óxido debido al drenaje inadecuado o a ambientes corrosivos.
        - e. Los componentes a continuación se consideran artículos de uso normal y no están cubiertos después del primer año de propiedad. Motor eléctrico, válvula de retención, interruptor de presión, regulador, medidores de presión, manguera, tubería, tubo, ajustes y acopladores, tornillos, tuercas, artículos de hardware, correas, poleas, volantes, carcasa y filtro de aire, juntas, sellos, fugas de aceite, fugas de aire, consumo o uso de aceite, anillos de pistón.
        - f. Válvulas de drenaje del tanque.
        - g. Daño causado por voltaje incorrecto o cableado inadecuado.
        - h. Otros artículos no enumerados, pero que se consideran piezas de uso general.
        - i. Interruptores de presión, controladores de aire, dispositivos de carga/descarga, dispositivos de control del obturador y válvulas de seguridad modificadas respecto a las configuraciones de fábrica.
        - j. Daño por mantenimiento inadecuado del filtro.
        - k. Motores de inducción operados con electricidad producida por un generador.
      2. Artículos excluidos específicos para compresores lubricados:
        - a. Desgaste de la bomba o daño de la válvula causado por el uso de un aceite no especificado.
        - b. Desgaste o daño de la bomba causado por alguna contaminación en el aceite.
        - c. Desgaste o daño de la bomba causado por no seguir las instrucciones de mantenimiento adecuadas, operación con bajo nivel de aceite o sin aceite.
    - H. La mano de obra, las llamadas de servicio, o el transporte son cobrados después del primer año de propiedad.
  7. RESPONSABILIDADES DEL GARANTE SEGÚN ESTA GARANTÍA: Reparar o reemplazar, a discreción del Garante, el compresor o el componente defectuoso, que no haya funcionado y/o haya fallado dentro del periodo específico de la garantía.
  8. RESPONSABILIDADES DEL COMPRADOR SEGÚN ESTA GARANTÍA:
    - A. Suministrar la prueba de la fecha de compra y los registros de mantenimiento.
    - B. Llamar a Campbell Hausfeld (800-543-6400) para conocer sus opciones de servicio de garantía. El comprador debe cubrir los gastos de transporte.
    - C. Tener el cuidado razonable en la operación y mantenimiento de los productos según lo descrito en el manual(es) del propietario.
    - D. Las reparaciones que requieran horas extra, tarifas de fin de semana o cualquier cosa adicional a la tarifa estándar de reembolso por labores de reparación de la garantía del fabricante.
    - E. Tiempo requerido para alguna revisión de seguridad, entrenamiento de seguridad o similar por parte del personal de servicio para acceder a la instalación.
    - F. La ubicación de la unidad debe tener un espacio libre adecuado para que el personal de servicio pueda realizar las reparaciones y acceder con facilidad.
  9. CUÁNDO EL GARANTE REALIZARÁ LAS REPARACIONES O LOS REEMPLAZOS SEGÚN ESTA GARANTÍA: La reparación o el reemplazo se programará y realizará de acuerdo con el flujo normal de trabajo en la ubicación donde se presta servicio, y según la disponibilidad de las piezas de reemplazo.
- Esta Garantía limitada solo es aplicable en EE.UU., Canadá y México y le otorga derechos legales específicos. También puede tener otros derechos que variarán según su estado o país.



## Compresseur silencieux de 30 L (8 gal)

Instructions d'Utilisation et Manual de Pièces



Modèle: DC080500

FR

**ULINE** H-10916

1-800-295-5510

0623 IH-10916VND



Lire et conserver ces instructions. Il faut les lire attentivement avant de commencer à assembler, installer, faire fonctionner ou entretenir l'appareil décrit.

Pour se protéger et protéger autrui, observer toutes les informations sur la sécurité. Négliger d'appliquer ces instructions peut causer des blessures et/ou des dommages matériels! Conserver ces instructions pour consultation ultérieure.

**RAPPEL :** Conservez votre preuve d'achat datée aux fins de garantie! Attachez-le à ce manuel ou classez-le pour le garder en sécurité.

N° de modèle : \_\_\_\_\_

N° de série : \_\_\_\_\_

Date d'achat : \_\_\_\_\_

Pour de l'information sur les pièces,  
produits et services veuillez visiter  
[www.campbellhausfeld.com](http://www.campbellhausfeld.com)

Campbell Hausfeld  
100 Production Drive  
Harrison, Ohio 45030

**ENREGISTREZ VOTRE PRODUIT EN LIGNE MAINTENANT ! [www.campbellhausfeld.com](http://www.campbellhausfeld.com)  
LIRE ET SUIVRE TOUTES LES INSTRUCTIONS • CONSERVER CES INSTRUCTIONS • NE PAS JETER**

**ULINE** H-10916

1-800-295-5510

0623 IH-10916VND



## AVANT DE COMMENCER

### Description

Nous vous remercions de votre achat de ce compresseur d'air sans huile silencieux de Campbell Hausfeld. Depuis plus de 100 ans, nous avons fabriqué des produits durables, fiables en plus d'être faciles à utiliser et à entretenir. Les compresseurs d'air sans huile sont destinés à une utilisation résidentielle et d'atelier. Le nettoyage ou le remplacement du filtre d'entrée de tous les modèles et le drainage de l'humidité des réservoir d'air sont des entretiens nécessaires.

## DÉBALLAGE

**ATTENTION** *Ne pas soulever ni déplacer le modèle sans équipement convenable et s'assurer que le modèle soit bien fixé à l'appareil de levage. Ne pas soulever le modèle avec les tuyaux ou les refroidisseurs. Ne pas utiliser le modèle pour soulever tout autre équipement qui est attaché au compresseur.*

Dès que l'appareil est déballé, l'inspecter attentivement pour tout signe de dommages en transit. Vérifier s'il y a des pièces desserrées, manquantes ou endommagées. Vérifier pour s'assurer que tous les accessoires fournis sont inclus avec l'appareil. Pour toutes questions, pièces endommagées ou manquantes, veuillez visiter [www.campbellhausfeld.com](http://www.campbellhausfeld.com) pour l'assistance à la clientèle.

**AVERTISSEMENT** *Ne pas utiliser un modèle qui a été endommagé pendant le transport, la manipulation ou l'utilisation. Le dommage peut résulter en explosion et peut causer des blessures ou dégâts matériels.*

## INSTRUCTIONS GÉNÉRALES DE SÉCURITÉ

### Aperçu du système d'avertissement de sécurité et vos responsabilités

**LIRE CE MANUEL AVANT D'UTILISER CE PRODUIT. NE PAS RESPECTER LES DIRECTIVES ET PRÉCAUTIONS DE SÉCURITÉ DU PRÉSENT MANUEL PEUT CAUSER DE SÉRIEUSES BLESSURES OU LE DÉCÈS. CONSERVER CE MANUEL POUR S'Y RÉFÉRER ULTÉRIEUREMENT.**

Votre sécurité et celle des autres dépendent de votre bonne lecture et compréhension de ce manuel. Si vous avez des questions ou si vous ne comprenez pas l'information présentée dans ce manuel, visitez [www.campbellhausfeld.com](http://www.campbellhausfeld.com).

Ce symbole est une alerte à la sécurité. Il sert à vous avertir des dangers potentiels de blessure corporelle. La signification de ce symbole d'alerte à la sécurité se définit comme suit : **Attention! Soyez vigilant! Votre sécurité pourrait être compromise.** Le message apparaissant à côté de l'avertissement peut être écrit ou imagé. Les utilisations pouvant causer des dommages au produit sont identifiées dans ce manuel par le mot « AVIS ».

Les incidents liés à l'outil sont causés par le défaut de respecter les règles ou précautions de sécurité. Vous devez être conscient des dangers potentiels. Vous devez être correctement formé et posséder les habiletés et outils afin d'effectuer ces fonctions. Campbell Hausfeld ne peut anticiper chaque circonstance possible pouvant impliquer un danger potentiel. De ce fait, les avertissements contenus dans ce manuel ne sont pas inclusifs. Si un outil, une procédure, ou si la méthode de travail ou la technique d'opération n'est pas spécifiquement recommandée pour une utilisation par Campbell Hausfeld, vous devez vous assurer par vous-même que c'est sécuritaire pour vous et les autres. Vous devriez également vous assurer que le produit ne sera pas endommagé ou deviendra non sécuritaire par l'utilisation, la lubrification, l'entretien ou les procédures de réparation que vous aurez choisies.

### Directives De Sécurité

Ce manuel contient de l'information très importante qui est fournie pour la SÉCURITÉ et pour ÉVITER LES PROBLÈMES D'ÉQUIPEMENT. Rechercher les symboles suivants pour cette information.

**DANGER** *Danger indique une situation dangereuse imminente qui MÈNERA à la mort ou à des blessures graves si elle n'est pas évitée.*

**AVERTISSEMENT** *Avertissement indique une situation potentiellement dangereuse qui, si elle n'est pas évitée, POURRAIT mener à la mort ou à de graves blessures.*

**ATTENTION** *Attention indique une situation potentiellement dangereuse qui, si elle n'est pas évitée, PEUT mener à des blessures mineures ou modérées.*

**AVIS** *Avis indique de l'information importante qui pourrait endommager l'équipement si elle n'est pas respectée.*

**IMPORTANT** ou **REMARQUE** : Information qui exige une attention spéciale.

**INSTRUCTIONS GÉNÉRALES DE SÉCURITÉ (CONTINUED)****Symboles De Sécurité**

Les symboles de sécurité suivants apparaissent dans l'ensemble de ce manuel pour vous aviser des dangers et précautions importants de sécurité.



Lire le manuel  
d'abord



Portez une  
protection  
oculaire et  
auditive



Risque  
d'incendie



Risque de  
pièces mobiles



Risque de  
choc



Risque  
d'explosion



Risque  
d'électrocution



Risque de  
pression

**Proposition 65 de Californie****AVERTISSEMENT**

*Ce produit ou son cordon peuvent contenir des produits chimiques qui, de l'avis de l'État de Californie, causent le cancer et des anomalies congénitales ou autres problèmes de reproduction. Lavez-vous les mains après la manipulation.*

**AVERTISSEMENT**

*Vous pouvez créer de la poussière en coupant, ponçant, perçant ou meulant les matériaux tels que le bois, la peinture, le métal, le béton, le ciment ou autre maçonnerie. Cette poussière contient souvent des produits chimiques reconnus pour causer le cancer, les déformations congénitales.*

**Importantes Instructions de Sécurité**

*S'il vous plaît lire et conserver ces instructions. Lire attentivement avant de monter, installer, utiliser ou de procéder à l'entretien du produit décrit. Se protéger ainsi que les autres en observant toutes les instructions de sécurité, sinon, il y a risque de blessure et/ou dégâts matériels! Conserver ces instructions comme référence.*

Ce manuel contient des informations concernant la sécurité, le fonctionnement et l'entretien. Si vous avez des questions, veuillez visiter [www.campbellhausfeld.com](http://www.campbellhausfeld.com) pour l'assistance à la clientèle.

Puisque le compresseur d'air et les autres composants utilisés (article pompe, pistolet de pulvérisation, filtres, lubrifiants, tuyaux, etc.) font partie d'un système de pompage à haute pression, les précautions de sécurité suivantes doivent être prises en considération à tout moment:



1. Lire attentivement tous les manuels inclus avec ce produit. Familiarisez-vous avec les commandes et l'utilisation appropriée de l'équipement.
2. Respectez tous les codes électriques et de sécurité locaux, ainsi que ceux aux États-Unis, le National Electrical Codes (NEC) et l'Occupational Safety and Health Act (OSHA).
3. Seules les personnes connaissant ces règles de fonctionnement sécuritaire devraient pouvoir utiliser le compresseur.
4. Tenir les visiteurs et les enfants éloignés.
5. Portez des lunettes de protection et utilisez une protection auditive lors du fonctionnement de l'unité.
6. Ne vous tenez pas debout sur l'unité et n'utilisez pas l'unité comme prise ou poignée.
7. Avant chaque utilisation, inspectez le système d'air comprimé et les composants électriques pour vérifier la présence de signes de dommage, de détérioration, de faiblesse ou de fuites. Réparer ou remplacer les articles défectueux avant toute utilisation.
8. Vérifiez tous les éléments de fixation à intervalles fréquents pour en garantir le bon serrage.

**AVERTISSEMENT**

*Les moteurs, équipements électriques et commandes peuvent causer des arcs électriques pouvant enflammer un gaz ou une vapeur inflammable. Ne jamais faire fonctionner ou réparer lorsque vous êtes près d'un gaz ou d'une vapeur inflammable. Ne jamais ranger de liquides ou gaz inflammables dans l'environnement immédiat du compresseur.*

**AVERTISSEMENT**

**AVERTISSEMENT :** Ne jamais faire fonctionner sans le protecteur.

**AVERTISSEMENT**

**AVERTISSEMENT :** Risque de décharge électrique. Utilisez un disjoncteur de fuite à la terre.

Utilisez uniquement à l'intérieur. Débranchez toutes les connexions avant d'effectuer un entretien.

9. Ne portez pas de vêtements lâches ou de bijoux pouvant se prendre dans les pièces mobiles de l'unité.

**ATTENTION** Les pièces du compresseur peuvent être chaudes, même si l'unité est arrêtée.

10. Tenez les doigts hors de portée d'un compresseur en fonction; les pièces en mouvement rapide et chaudes peuvent causer des blessures et/ou des brûlures.
11. Si l'équipement devait se mettre à vibrer de façon anormale, ARRÊTEZ le moteur et vérifiez immédiatement quelle en est la cause. La vibration est généralement un avertissement de problème.
12. Pour réduire les dangers d'incendie, maintenez l'extérieur du moteur libre d'huile, de solvant, ou d'excès de graisse.

**AVERTISSEMENT** Un robinet de sûreté et de décharge de code ASME comportant un réglage ne dépassant pas la pression de marche permise (PMMP) DOIT être installé dans le réservoir de ce compresseur. La soupape de sécurité ASME doit être d'une classification de débit et de pression suffisants afin de protéger les composants sous pression contre l'éclatement.

**ATTENTION** Consultez l'étiquette de spécification du compresseur quant à la pression maximale de fonctionnement. N'utilisez pas avec un manostat ou des soupapes pilotes dont le réglage dépasse la pression maximale de fonctionnement.

13. Ne tentez jamais d'ajuster une soupape de sécurité ASME. Gardez les soupape de sécurité exemptes de peinture ou autres accumulations.



**AVERTISSEMENT** Ne JAMAIS utiliser de tuyaux de plastique (PVC, ABS ou CPVC) pour l'air comprimé.

**DANGER** AVERTISSEMENT : Risque d'éclatement. Si une fuite de forme sur le réservoir, remplacez le réservoir immédiatement. Ne réparez, soudez ou modifiez jamais le réservoir d'air ou les éléments fixés. N'ajustez jamais les réglages de pression effectués en usine. Ne jamais dépasser les classification des pressions permises par le fabricant des éléments fixés.

**AVIS** Drainer quotidiennement le liquide du réservoir.

14. Les réservoirs rouillent par l'accumulation d'humidité, ce qui affaiblit le réservoir. Assurez-vous de drainer régulièrement le réservoir et d'en faire une inspection périodique quant aux conditions non sécuritaires comme la formation de rouille et la corrosion.
15. Le déplacement d'air rapide remuera la poussière et les débris, ce qui pourrait être nocif. Libérez l'air lentement lors du drainage de l'humidité ou de la dépressurisation du système de compression.

**AVERTISSEMENT** AVERTISSEMENT : Des blessures sérieuses ou le décès peut survenir par l'inhalation de l'air comprimé. N'inhalez jamais l'air d'un compresseur d'air, que ce soit directement ou par un appareil respiratoire branché au compresseur d'air. Le jet d'air peut contenir du monoxyde de carbone, des vapeurs toxiques ou des particules solides.

Ne pas pulvériser des matériaux inflammables près d'une flamme ouverte ou à proximité de sources d'ignition, y compris l'unité du compresseur.



### Précautions de pulvérisation

**AVERTISSEMENT** AVERTISSEMENT : Risque d'incendie et d'explosion. Lorsqu'un combustible liquide est pulvérisé, il peut y avoir danger d'incendie ou d'explosion, particulièrement dans un secteur fermé. Tenir le compresseur/moteur à au moins 6 m (18 pi) de toutes vapeurs explosives.

16. NE PAS pulvériser des matériaux inflammables près d'une flamme ouverte ou à proximité de sources d'ignition, y compris l'unité du compresseur. Tenir loin de la chaleur, les étincelles et les flammes.
17. NE PAS fumer. Éteignez toutes les flammes et veilleuses et arrêtez les fours, chauffages, moteurs électriques, et autres sources d'allumage pendant l'utilisation et jusqu'à ce que toutes les vapeurs soient éteintes.
18. Évitez l'accumulation de vapeurs en ouvrant des fenêtres et portes pour réaliser une ventilation croisée. N'utilisez que sous une bonne ventilation.
19. Ne respirez pas les poussières, vapeurs ou bruines de pulvérisation. Assurez-vous de l'entrée d'air frais pendant l'application et le séchage. Si vous avez les yeux larmoyant, des maux de tête ou des étourdissements, portez une protection respiratoire (approuvée NIOSH ou l'équivalent) ou quittez le secteur.
20. Respectez les règles de sécurité OSHA et CSA quant à l'équipement de protection personnelle. Un équipement typique peut comprendre des lunettes de protection, un respirateur, et/ou des gants de travail, et est dépendant du type d'application, de la quantité utilisée et du lieu de travail.

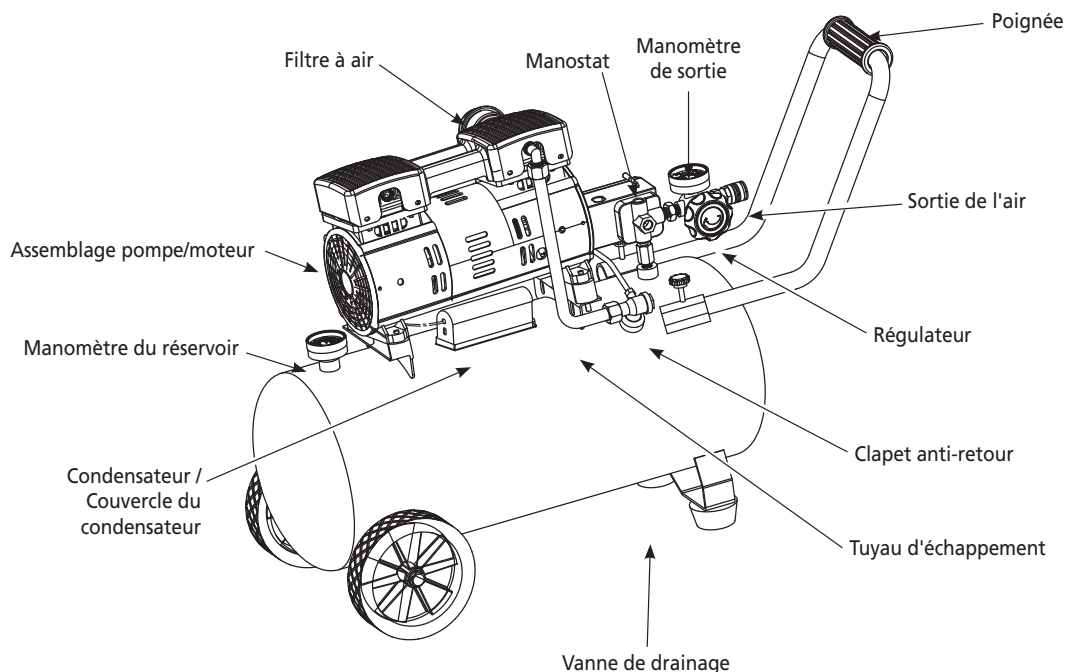
**CARACTÉRISTIQUES TECHNIQUES**

<b>DC080500</b>	
Moteur HP	1.0
Capacité du réservoir	30,28 L
Étape	Simple
Nombre de cylindres	2
Poussée d'air @ 90 psi	68 l/min
Tension	110 - 120
Ampères	7
Hertz (cycles)	60
Pression maximale	862 kPa
RPM	1750
Taille de l'orifice de sortie du réservoir	1/4 po Branchement rapide IM
Poids de l'unité	28,10 kg

**DIMENSIONS**

<b>DC080500</b>	
Long.	85,98 cm
Larg.	34,01 cm
Haut.	57,99 cm

## APPRENEZ À CONNAÎTRE VOTRE COMPRESSEUR



**kPa / PSI (livres par pouce carré)** - Mesure de la pression exercée par la force de l'air. La sortie réelle en psi est mesurée par un manomètre sur le compresseur.

**SCFM (pied cube standard par minute)** - Parfois appelé CFM (pied cube par minute). Mesure du volume d'air livré par le compresseur.

**Poussée d'air** - Une combinaison des psi et SCFM. La poussée d'air requise par un outil est indiquée par (numéro) SCFM à (numéro) psi. La combinaison de ces nombres détermine quelle taille d'unité est requise.

**Capacité du réservoir d'air** - Le volume d'air entreposé dans le réservoir et disponible à être immédiatement utilisé. Un grand réservoir permet l'utilisation intermittente d'un outil pneumatique dont l'exigence en air est plus élevée que la poussée classifiée du compresseur.

**A ou intensité** - Une mesure de la force électrique moins la résistance d'une ligne électrique. Ce compresseur d'air exige 15 ampères pour son fonctionnement. Assurez-vous que le compresseur fonctionnera sur une ligne électrique comportant l'intensité appropriée. Si d'autres appareils fonctionnent sur la même ligne, ils réduiront l'intensité disponible. Si l'intensité n'est pas adéquate, on causera le déclenchement des fusibles ou des court-circuits.

**Volts ou tension** - Une mesure de la force d'un courant électrique.

**Pression de mise en circuit/arrêt** - Psi spécifique où un compresseur démarre et arrête pour remplir le réservoir d'air.

**Manostat** - Interrupteur marche/arrêt automatique  
- En mode « Auto On », le compresseur s'arrête automatiquement lorsque la pression du réservoir atteint la pression maximale préalablement réglée. Une fois l'air du réservoir utilisé et que la pression descend au niveau inférieur préalablement réglé, le manostat remet le réservoir en marche automatiquement. En mode « Off », le compresseur ne fonctionnera pas. Cet interrupteur devrait être en position « Off » lors du branchement ou du débranchement du cordon d'alimentation de la prise électrique. (Figure 2)

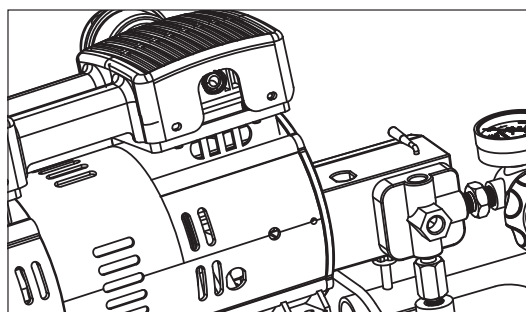


Figure 2

Lorsque le manostat arrête le moteur, vous entendrez l'air fuir hors du clapet de marche à vide du manostat pendant un court moment. Ceci relâche la pression d'air du tuyau d'évacuation et permet au compresseur de redémarrer plus facilement.

## APPRENEZ À CONNAÎTRE VOTRE COMPRESSEUR (SUITE)

**Régulateur** - Le régulateur contrôle la quantité de pression d'air à la sortie du boyau. Tourner le bouton du régulateur dans le sens horaire (vers la droite) fera augmenter la pression d'air à la sortie. Tourner le bouton du régulateur dans le sens antihoraire (vers la gauche) abaissera la pression d'air à la sortie. Tourner le bouton complètement dans le sens antihoraire coupera entièrement le débit d'air.

**Poignée** - Conçu pour déplacer le compresseur.

**Soupape de sécurité ASME** - Cette soupape libère automatiquement l'air si la pression du réservoir dépasse le maximum prédéfini.

**Tuyau d'échappement** - Ce tuyau transporte l'air comprimé entre la pompe et le clapet anti-retour. Ce tube devient très chaud pendant l'utilisation. Pour éviter le risque de brûlures graves, ne jamais toucher le tuyau d'échappement.

**Clapet anti-retour** - Clapet à sens unique permettant à l'air d'entrer dans le réservoir, mais empêche l'air de refluer dans la pompe du compresseur.

**Sortie de l'air** - Un coupleur à branchement rapide conçu pour fonctionner avec une prise à branchement rapide afin d'attacher rapidement et facilement, le compresseur à un boyau à air.

**Manomètre** - Ces manomètres présenteront la pression d'air dans le réservoir du compresseur et à la sortie du compresseur.

**Manomètre de pression de sortie** - Présentera la pression d'air à la sortie, en livres par pouce carrés (psi). Assurez-vous que ce manomètre soit à ZERO (en ajustant le bouton du régulateur complètement en sens antihoraire) avant de changer d'outil pneumatique ou de boyau à air à la sortie.

**Manomètre du réservoir** - Présentera la pression d'air dans le réservoir alors qu'il est en fonction, indiquant que le compresseur accumule correctement l'air. Ce manomètre présentera la pression maximale du compresseur lorsqu'il s'arrête automatiquement au manostat.

**Vanne de drainage** - Cette vanne est située sous le réservoir. Utilisez cette vanne pour évacuer quotidiennement l'humidité du réservoir afin de réduire le risque de corrosion.



**ATTENTION** Drainer quotidiennement le liquide du réservoir.

Réduire la pression du réservoir sous 10 psi, puis drainez l'humidité quotidiennement du réservoir afin d'éviter la corrosion du réservoir. Drainez l'humidité du réservoir en ouvrant la vanne de drainage située sous le réservoir.

## SPÉCIFICATIONS DU MOTEUR ET EXIGENCES ÉLECTRIQUES

### Alimentation électrique et spécifications du moteur



#### AVIS

Afin de réduire le risque de dangers électriques, d'incendies ou de dommage à l'outil, utilisez la protection de circuit appropriée.

#### AVIS

Votre outil est câblé à la fabrication pour être utilisé à la tension montrée. Branchez l'outil à une ligne électrique comportant la tension appropriée et un circuit de dérivation de 15 A. Utilisez un fusible temporisé ou un disjoncteur de 15 A.



#### AVIS

Afin de réduire le risque de décharge électrique ou d'incendie, le cordon d'alimentation doit être immédiatement remplacé s'il est usé, coupé ou endommagé.

Le moteur CA utilisé sur ce compresseur est du type à induction non réversible à condensateur auxiliaire de démarrage permanent aux spécifications suivantes. Il est câblé à la fabrication pour un fonctionnement sur service de 110 V-120 V CA, 60 Hz.

### SPÉCIFICATIONS DU MOTEUR

Tension	110 - 120
Ampères	7
Hertz (cycles)	60
Phase	Simple
RPM	1750

## Branchements électriques généraux

### ⚠ AVERTISSEMENT

**AVERTISSEMENT : Risque de décharge électrique. Utilisez un disjoncteur de fuite à la terre. Utilisez uniquement à l'intérieur. Débranchez toutes les connexions avant d'effectuer un entretien. Utilisez des pièces de remplacement identiques. Les réparations doivent être effectuées par un électricien approuvé et qualifié.**

En cas de bris de l'appareil, la mise à la terre fournit à l'électricité un chemin de moindre résistance qui contribue à réduire le risque de décharge électrique. Ce compresseur est équipé d'un cordon d'alimentation qui possède un conducteur de mise à la terre et une fiche de mise à la terre, tel qu'indiqué. La fiche doit être branchée dans une prise bien installée et mise à la terre conformément aux codes de bâtiment locaux.

Une mauvaise connexion de l'équipement de conduction de mise à la terre causera un risque de choc électrique. Le conducteur isolé qui présente une surface extérieure verte avec des rayures jaunes ou non est le conducteur de mise à la terre de l'équipement. S'il est nécessaire de remplacer la fiche ou le cordon électrique, ne branchez pas le conducteur de mise à la terre à une borne sous tension.

Si les instructions de mise à la terre ne sont pas bien comprises, ou s'il existe un doute sur la mise à la terre adéquate du compresseur, veuillez vérifier avec un technicien ou un réparateur qualifié.

### Instructions de mise à la terre

1. Ce produit est conçu pour être utilisé sur un circuit de 120 V. Il doit être mis à la terre. Dans le cas d'un court circuit, la mise à terre réduit le risque d'un choc électrique en fournissant un chemin de courant alternatif au sol. L'unité est équipée d'un cordon électrique qui possède une branche de mise à la terre. Elle s'insérera facilement dans l'un des types communs de prises électriques montrées à la figure 3. Si la fiche ne s'insère pas dans la prise désirée, demandez à un électricien qualifié de remplacer la fiche ou la prise.

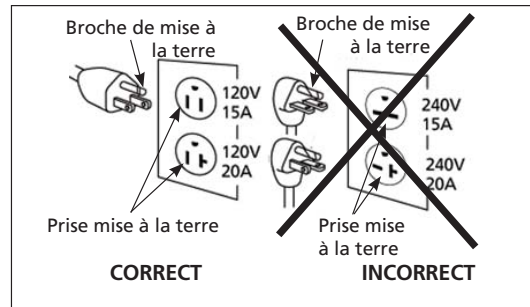


Figure 3 - Méthode de mise à la terre

### ⚠ AVERTISSEMENT

**AVERTISSEMENT : Risque de décharge électrique. Une mauvaise utilisation de la fiche de mise à la terre peut causer un risque de décharge électrique. La fiche doit être branchée dans une prise installée et mise à la terre conformément aux codes et règlements locaux.**

### AVIS

**AVIS : Ne pas utiliser d'adaptateur de mise à la terre.**

2. Vérifiez toujours avec un électricien ou réparateur qualifié si les instructions de mise à la terre ne sont pas bien comprises ou s'il y a un doute sur la bonne mise à la terre du produit. Ne modifiez pas la fiche fournie; si elle ne s'insère pas dans la prise, faites modifier la prise par un électricien qualifié.
3. Utilisez uniquement un cordon électrique à 3 fils doté d'une fiche à 3 broches avec une mise à la terre se branchant dans une prise à 3 réceptacles. Assurez-vous que votre rallonge électrique n'est pas endommagée. Quand vous utilisez une rallonge électrique, assurez-vous qu'elle soit assez épaisse pour transporter tout le courant dont votre produit a besoin. Pour les longueurs de moins de 7,6 m (25 pi). Une rallonge électrique de 16-3 AWG devra être employée. L'utilisation d'une rallonge trop mince entraînera une baisse de tension et de puissance, ainsi qu'une surchauffe. (AVIS : Le tableau 1 indique les gabarits à utiliser selon la longueur de la rallonge. En cas de doute, utilisez le gabarit supérieur. Un numéro de gabarit plus petit indique une rallonge plus épaisse.)
4. L'utilisation d'une rallonge pourrait causer une surchauffe du moteur. Cela pourrait déclencher le disjoncteur (sur le panneau électrique) ou le protecteur thermique de surcharge (sur le moteur du compresseur). Si c'est le cas, enlevez la rallonge et branchez le compresseur directement dans la prise électrique. Évitez d'utiliser des rallonges; choisissez plutôt des tuyaux d'air plus longs.

**Si une réparation ou un remplacement du cordon électrique ou de la fiche est nécessaire, ne branchez pas le fil de mise à la terre à l'une des bornes à lame plate. Le fil isolé qui présente une surface extérieure verte avec des rayures jaunes ou non est le fil de mise à la terre.**

## SPÉCIFICATIONS DU MOTEUR ET EXIGENCES ÉLECTRIQUES (SUITE)

### Rallonges électriques

1. Le compresseur d'air devrait être situé à un endroit où il peut être branché directement à la prise d'alimentation. Bien que les rallonges électriques ne soient pas recommandées, si vous devez absolument en utiliser une, assurez-vous qu'il s'agit d'une rallonge à 3 fils, avec une branche de mise à la terre et un réceptacle à 3 trous qui accepte la fiche du produit. Lorsque vous utilisez une rallonge électrique, assurez-vous qu'elle est assez épaisse pour transporter tout le courant dont votre produit a besoin.
2. Afin d'éviter la perte de puissance et la surchauffe, des tuyaux d'air additionnels devraient être employés pour atteindre l'aire de travail, et non pas des rallonges électriques.

PLAGE D'INTENSITÉ DU MOTEUR	TENSION		LONGUEUR DU CORDON EN PIEDS							
	120 V	7,6 m (25 pi)	15,2 m (50 pi)	30,5 m (100 pi)	45,7 m (150 pi)	61 m (200 pi)	76,2 m (250 pi)	91,4 m (300 pi)	122 m (400 pi)	152,4 m (500 pi)
12-14		16	12	10	8	6	6	4	4	2

### Informations 110-120 volt, 60Hz

La fiche fournie avec votre compresseur ne s'insérera peut être pas dans la prise que vous comptez utiliser. Il est possible que le code électrique local nécessite des branchements de fiche de cordon électrique légèrement différents. Si ces différences existent, référez-vous à votre code local et effectuez les ajustements nécessaires avant de brancher et de faire fonctionner votre compresseur.

### Fiches et prises

1. Si la fiche du cordon électrique de l'unité ne vous est pas familière et si elle ne s'insère pas dans votre réceptacle, la Figure 2 vous aidera à en comprendre la raison grâce à ses illustrations de fiches et les tensions différentes avec lesquelles elle peut être utilisée.
2. Assurez-vous que le produit est branché à une prise ayant la même configuration que la fiche.
3. Les réceptacles doivent être branchés sur des circuits jaugés pour supporter au moins les tensions et ampérages indiqués.
4. Ne JAMAIS remplacer un réceptacle donné avec un réceptacle de résistance plus élevée avant de déterminer si le changement peut être effectué conformément à tous les codes électriques qui sont en vigueur dans votre région. L'installation devrait être faite par un électricien qualifié. Si les produits doivent être rebranchés pour être employés sur différents types de circuits, le nouveau branchement devrait être effectué par du personnel qualifié.

#### **⚠ AVERTISSEMENT**

*Un filage inadéquat peut causer une surchauffe, un court-circuit et un incendie.*

### Spécifications électriques

#### **⚠ AVERTISSEMENT**

*Tout le filage et les connexions devraient être effectuées par un électricien qualifié. L'installation doit respecter les codes électriques locaux et nationaux.*

### Filage

1. Les codes électriques locaux diffèrent d'une région à l'autre. Le filage, les fiches et protecteurs sources doivent être classifiés au moins pour l'intensité et la tension indiqués sur la plaque signalétique du moteur, et respecter tous les codes électriques pour ce minimum.
2. Utilisez un fusible temporisé ou un disjoncteur de circuit.
3. Ce produit est conçu pour être utilisé sur un circuit de 120 V et est doté d'une broche de mise à la terre semblable à la broche illustrée dans la figure 3.

Assurez-vous que le produit est branché à une prise ayant la même configuration que la fiche. Ce produit doit être mis à la terre. Dans le cas d'un court-circuit, la mise à terre réduit le risque d'un choc électrique en fournissant un chemin de courant alternatif au sol. Ce produit est doté d'un cordon avec câble et fiche de mise à la terre. La fiche doit être branchée dans une prise correctement installée et mise à la terre conformément aux ordonnances et codes locaux.

#### **⚠ ATTENTION**

*Un filage inadéquat peut causer une surchauffe, un court-circuit et un incendie.*



Ne modifiez pas la fiche fournie. Si elle ne s'insère pas dans la prise, faites modifier la prise par un électricien qualifié.

**⚠ ATTENTION** *S'il n'est pas mis à la terre correctement, cet outil peut causer une décharge électrique, particulièrement lorsqu'il est utilisé dans des endroits humides, à proximité de la plomberie, et à l'extérieur. N'utilisez pas d'adaptateur de mise à la terre avec ce produit!*

**⚠ DANGER** *Tout le filage et les connexions devraient être effectuées par un électricien qualifié. L'installation doit respecter les codes électriques locaux et nationaux.*

**⚠ AVERTISSEMENT** *l'installation de la fiche de mise à la terre peut provoquer un risque de décharge électrique. Lorsqu'une réparation ou un remplacement du cordon électrique ou de la fiche est nécessaire, ne branchez aucun fil de mise à la terre à la borne à lame plate. Le fil isolé qui présente une surface extérieure verte avec des rayures jaunes ou non est le fil de mise à la terre.*

**⚠ AVERTISSEMENT** *Ne branchez jamais de fil vert (ou vert et jaune) à une borne sous tension.*

**⚠ ATTENTION** *Un filage inadéquat peut causer une surchauffe, un court-circuit et un incendie, etc.*

### Dispositif de protection thermique

Ce compresseur comporte une protection thermique automatique qui arrête le moteur s'il surchauffe ou reçoit trop de courant. Ce protecteur est du type « déclenchement et maintien ». Pour réinitialiser, débranchez le compresseur et laissez-le se refroidir complètement. Ceci devrait permettre à la surcharge automatique de se réinitialiser. Le protecteur pourrait ne pas se réinitialiser, sauf s'il est débranché.

*Le moteur doit pouvoir se refroidir complètement avant qu'un redémarrage ne soit possible. Le moteur pourrait redémarrer automatiquement et sans avertissement s'il est laissé branché dans la prise électrique, et si le moteur est allumé.*

---

## INSTALLATION

1. Vérifiez et serrez tous les boulons, raccords, etc., avant de faire fonctionner le compresseur.
2. Utilisez le compresseur dans un endroit ventilé où le compresseur pourra se refroidir adéquatement.
3. Le compresseur devrait être situé à un endroit où il peut être branché directement à la prise d'alimentation. N'utilisez pas de rallonges électriques avec cet unité.
4. Afin d'éviter la perte de puissance et la surchauffe, il est préférable d'utiliser des tuyaux d'air additionnels au lieu de rallonges électriques pour atteindre l'aire de travail.

---

## FONCTIONNEMENT

### Procédure de rodage avant le premier démarrage

Complétez cette procédure avant d'utiliser le compresseur pour la première fois. Une fois terminé, il n'est pas nécessaire de répéter.

1. Placez l'interrupteur marche/arrêt à OFF.
2. Ouvrez la vanne de drainage du réservoir.
3. Branchez le cordon d'alimentation.
4. Placez l'interrupteur marche/arrêt à ON et faites fonctionner le compresseur pendant 30 minutes.
5. Placez l'interrupteur marche/arrêt à OFF.
6. Débranchez le cordon d'alimentation.
7. Fermez la vanne de drainage.

Le compresseur est maintenant prêt à être utilisé.

**Nettoyage**

Éteignez l'alimentation et nettoyez la poussière et la saleté du moteur, du réservoir, des conduites d'air et des ailette de refroidissement de la pompe.

**IMPORTANT** : L'unité devrait être située aussi loin que possible de la zone de pulvérisation que le permettra le boyau afin d'éviter l'excès de projection de boucher le filtre à air.

**Filtre à air**

Vérifier le filtre à air afin de vous assurer qu'il est propre. Pour entretenir un filtre, retirez le couvercle du compartiment du filtre. Retirez le filtre et nettoyez la mousse ou le filtre dans l'eau chaude et savonneuse (les filtres de papier ne peuvent être lavés). Rincez et laissez sécher. Remplacez les filtres ne pouvant être nettoyés. Remettez le filtre dans la base du compartiment. Remplacez le couvercle.

**Lubrification**

Il s'agit d'un compresseur de type sans huile n'exigeant aucune lubrification.

**Fin de l'utilisation/rangement**

1. Placez l'interrupteur marche/arrêt automatique à OFF.
2. Débranchez le cordon d'alimentation de la prise murale et enroulez-le autour de la poignée pour éviter qu'il ne soit endommagé.
3. Portez des lunettes de protection pour drainer le réservoir de son air en tirant sur l'anneau de la soupape de sécurité. Utilisez votre autre main pour éviter que l'air se déplaçant à haute vitesse ne soit dirigé vers votre visage.
4. Drainez le réservoir de la condensation en ouvrant la vanne de drainage du bas du réservoir. La pression du réservoir devrait se trouver sous 10 psi lors du drainage.
5. Le boyau à air devrait être débranché du compresseur et laissez pendre l'extrémité pour en retirer la condensation.
6. Le compresseur et le boyau devraient être rangés dans un endroit frais et sec.

**Service technique**

Pour de l'information sur le fonctionnement ou la réparation de ce produit, veuillez appeler au 1-800-543-6400.

PROGRAMME D'ENTRETIEN		
Fonctionnement	Quotidien	Hebdomadaire
Vider le réservoir	●	
Vérifier le filtre à air		●
Vérifier la soupape de sécurité		●
Souffler la saleté de l'intérieur du moteur		●

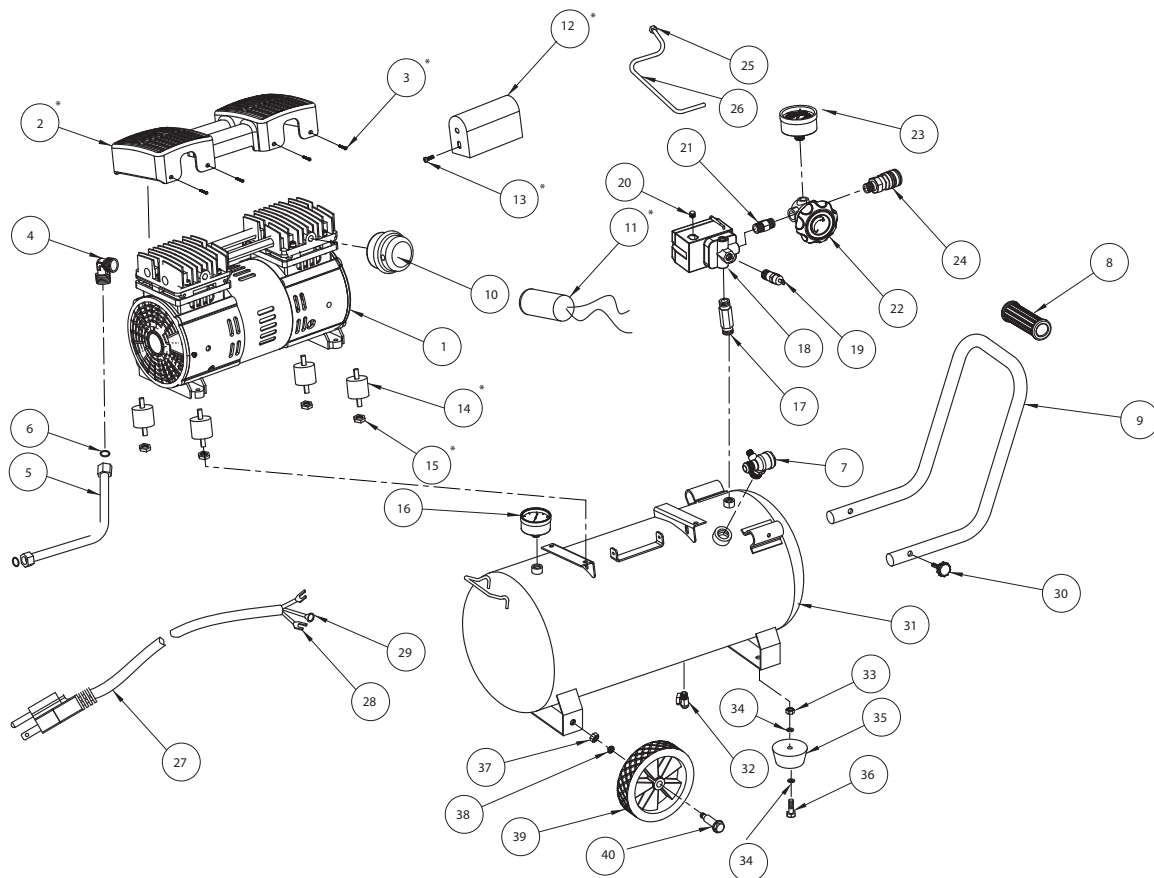
## GUIDE DE DÉPANNAGE

SYMPTÔME	CAUSE(S) POSSIBLE(S)	ACTION CORRECTIVE
Le compresseur ne fonctionnera pas, si	<ol style="list-style-type: none"> <li>1. L'unité est branchée dans une rallonge électrique</li> <li>2. Il n'y a aucune alimentation électrique</li> <li>3. Le fusible est grillé</li> <li>4. Le disjoncteur est ouvert</li> <li>5. La surcharge thermique est ouverte</li> <li>6. Le manostat est défectueux</li> <li>7. Enroulement du moteur court-circuité ou ouvert</li> </ol>	<ol style="list-style-type: none"> <li>1. Retirez la rallonge électrique ou utilisez une rallonge électrique de plus grand calibre.</li> <li>2. Allumez le manostat? Branchez? Vérifiez le fusible/disjoncteur ou la surcharge du moteur</li> <li>3. Remplacez le fusible grillé</li> <li>4. Réinitialisez, déterminez pourquoi le problème est survenu</li> <li>5. Débranchez et laissez refroidir le moteur avant de tenter un redémarrage</li> <li>6. Remplacez</li> <li>7. Remplacez le moteur</li> </ol>
Le moteur vrombit mais peut fonctionner ou fonctionne au ralenti	<ol style="list-style-type: none"> <li>1. Faible tension</li> <li>2. L'unité est branché dans une rallonge électrique</li> <li>3. Enroulement du moteur court-circuité ou ouvert</li> <li>4. Clapet anti-retour ou le réducteur de puissance est défectueux</li> </ol>	<ol style="list-style-type: none"> <li>1. Vérifiez avec un voltmètre</li> <li>2. Retirez la rallonge électrique ou utilisez une rallonge électrique de plus grand calibre.</li> <li>3. Remplacez le moteur</li> <li>4. Remplacez ou réparez</li> </ol>
Les fusibles/disjoncteurs se déclenchent à répétition	<ol style="list-style-type: none"> <li>1. Fusible de la mauvaise taille, circuit surchargé</li> <li>2. L'unité est branchée dans une rallonge électrique</li> <li>3. Clapet anti-retour ou le réducteur de puissance est défectueux</li> </ol>	<ol style="list-style-type: none"> <li>1. Vérifiez s'il est approprié d'utiliser un fusible temporisé. Débranchez les autres appareils électriques du circuit ou utilisez le compresseur sur son propre circuit de dérivation.</li> <li>2. Retirez la rallonge électrique ou utilisez une rallonge électrique de plus grand calibre.</li> <li>3. Remplacez ou réparez</li> </ol>
Le dispositif de protection thermique se déclenche à répétition.	<ol style="list-style-type: none"> <li>1. Faible tension</li> <li>2. Filtre à air bouché</li> <li>3. Manque d'une ventilation adéquate / température de la pièce trop élevée</li> <li>4. L'unité est branchée dans une rallonge électrique</li> </ol>	<ol style="list-style-type: none"> <li>1. Vérifiez avec un voltmètre</li> <li>2. Nettoyez le filtre (voir la section d'entretien)</li> <li>3. Déplacez le compresseur dans une zone bien ventilée</li> <li>4. Retirez la rallonge électrique ou utilisez une rallonge électrique de plus grand calibre.</li> </ol>
La pression du réservoir d'air descend lorsque le compresseur est arrêté	<ol style="list-style-type: none"> <li>1. Les branchements sont desserrés (raccords, tuyauterie, etc.)</li> <li>2. Vanne de drainage desserrée</li> <li>3. Fuite du clapet anti-retour</li> <li>4. Vérifiez si le réservoir est fissuré ou a des piqûres.</li> </ol>	<ol style="list-style-type: none"> <li>1. Vérifiez tous les branchements avec une solution savonneuse, puis resserrez</li> <li>2. Resserrez</li> <li>3. Démontez l'ensemble du clapet anti-retour, nettoyez ou remplacez</li> <li>4. Remplacez le réservoir. N'essayez jamais de réparer un réservoir endommagé.</li> </ol>
Excès d'humidité dans l'évacuation d'air	<ol style="list-style-type: none"> <li>1. Excès d'eau dans le réservoir d'air</li> <li>2. Humidité élevée</li> </ol>	<ol style="list-style-type: none"> <li>1. Videz le réservoir</li> <li>2. Déplacez vers une zone moins humide; utilisez un filtre de conduite</li> </ol>
Le compresseur fonctionne continuellement	<ol style="list-style-type: none"> <li>1. Le manostat est défectueux</li> <li>2. Utilisation excessive de l'air</li> <li>3. Fuites d'air</li> </ol>	<ol style="list-style-type: none"> <li>1. Remplacez le manostat</li> <li>2. Diminuez l'utilisation de l'air; le compresseur n'est pas assez gros pour le besoin</li> <li>3. Vérifiez tous les branchements avec de l'eau et du savon</li> </ol>
Le compresseur vibre	Les boulons de montage sont lâches	Resserrez
Le débit d'air est plus bas que la normale	<ol style="list-style-type: none"> <li>1. Les clapets d'admission sont brisés</li> <li>2. Le filtre d'aspiration est sale</li> <li>3. Les connexions fuient</li> </ol>	<ol style="list-style-type: none"> <li>1. Demandez à un représentant de service autorisé de réparer votre unité</li> <li>2. Nettoyez ou remplacez le filtre d'aspiration</li> <li>3. Resserrez les connexions</li> </ol>

**⚠ DANGER** *Ne démontez pas le clapet anti-retour lorsqu'il y a de l'air dans le réservoir; saignez d'abord le réservoir.*



## ILLUSTRATION DES PIÈCES DE REMPLACEMENT POUR LE DC080500



**Pour les pièces de remplacement, visitez [www.campbellhausfeld.com](http://www.campbellhausfeld.com)  
24 heures par jour – 365 jours par an**

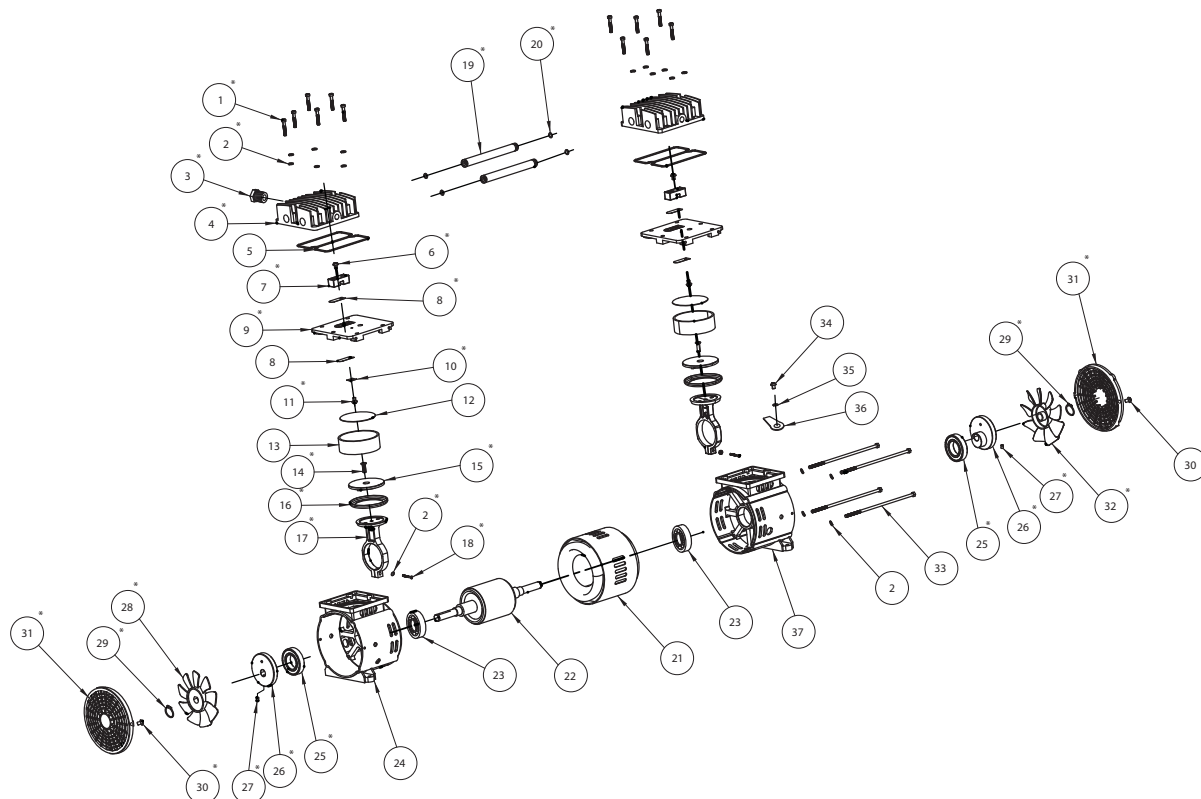
Fournir les informations suivantes :

- Numéro de modèle
- Numéro de série (s'il y en a un)
- Description et numéro de pièce comme indiqué sur la liste des pièces

## ILLUSTRATION DES PIÈCES DE RÉPARATION POUR LE SR060510SV

N° de réf.	Description	Numéro de pièce :	Qté
1	BOULON, M5 X 30	●	12
2	RONDELLE ÉLASTIQUE, M5	● ▲	18
3	SOUPAPE DE DÉCHARGE	►	1
4	CULASSE DE CYLINDRE	●	2
5	JOINT DE LA CULASSE DE CYLINDRE	--	2
6	VIS, M4 X 8	■	2
7	PROTECTION DE LA LEVÉE DE SOUPAPE	■	2
8	CLAPET	■	4
9	PLAQUE PORTE-SOUPAPE	■	2
10	PIÈCE D'APPUI DE LA SOUPAPE	■	2
11	VIS, M4 X 6	■	2
12	JOINT TORIQUE DU CYLINDRE	--	2
13	CYLINDRE	--	2
14	CAPUCHON VIS DU PISTON	▲	2
15	CHAPEAU DE LA BIELLE DU PISTON	▲	2
16	SEGMENT DE PISTON	▲	2
17	BIELLE	▲	2
18	VIS DE LA BIELLE, M5 X 20	▲	2
19	TUYAU DE RACCORDEMENT	▼	2
20	JOINT TORIQUE DU TUYAU DE RACCORDEMENT	▼	4
21	STATOR	--	1
22	ROTOR	--	1
23	ROULEMENT	--	2
24	FLASQUE AVANT	--	1
25	ROULEMENT	◆	2
26	EXCENTRIQUE	◆	2
27	VIS EXCENTRÉE, M8 X 10	◆	2
28	VENTILATEUR DE REFROIDISSEMENT (GAUCHE)	○	1
29	BAGUE DE RETENUE EXTERNE	○ □	2
30	VIS DE SÉCURITÉ, ST4 X 18	○ □	4
31	COUVERCLE DU VENTILATEUR DE REFROIDISSEMENT	○ □	2
32	VENTILATEUR DE REFROIDISSEMENT (DROITE)	□	1
33	BOULON DE MOTEUR, M5 X 182	--	4
34	VIS, M4 X 6	--	1
35	RONDELLE, M4	--	1
36	SIGNAL DE MISE À LA TERRE	--	1
37	FLASQUE ARRIÈRE	--	1
<b>TROUSSES DE PIÈCES DE RÉPARATION</b>			
●	ENSEMBLE DE LA TÊTE DE POMPE	SR060519SV	
■	ENSEMBLE DE LA PLAQUE PORTE-SOUPAPE	SR060520SV	
▲	ENSEMBLE DU TUBE DU PISTON	SR060521SV	
▼	ENSEMBLE DU RACCORD DU TUYAU DE RACCORDEMENT	SR060522SV	
◆	ENSEMBLE DE L'ASSEMBLAGE EXCENTRIQUE/PALIER	SR060523SV	
○	ENSEMBLE DU VENTILATEUR DE L'EXTRÉMITÉ AVANT	SR060524SV	
□	ENSEMBLE DU VENTILATEUR DU MOTEUR	SR060525SV	
►	ENSEMBLE DE LA SOUPAPE DE DÉMARRAGE À FROID	SR060526SV	
--	NON OFFERT		

## ILLUSTRATION DES PIÈCES DE REMPLACEMENT POUR LE SR060510SV



**Pour les pièces de remplacement, visitez [www.campbellhausfeld.com](http://www.campbellhausfeld.com)  
24 heures par jour – 365 jours par an**

Fournir les informations suivantes :

- Numéro de modèle
- Numéro de série (s'il y en a un)
- Description et numéro de pièce comme indiqué sur la liste des pièces

## ILLUSTRATION DES PIÈCES DE RÉPARATION POUR LE DC080500

N° de réf.	Description	Numéro de pièce :	Qté
1	ASSEMBLAGE POMPE/MOTEUR	SR060510SV	1
2	PROTECTEUR	--	1
3	VIS, M4 X 10	--	8
4	COUDE	●	1
5	TUYAU D'ÉCHAPPEMENT	●	1
6	RONDELLE	●	2
7	ASSEMBLAGE DU CLAPET ANTI-RETOUR	SR060511SV	1
8	POIGNÉE	--	1
9	POIGNÉE	--	1
10	FILTRE	SR060512SV	1
11	CONDENSATEUR	▲	1
12	COUVERCLE DU CONDENSATEUR	▲	1
13	VIS, M5 X 10	▲	2
14	BAGUE DE CAOUTCHOUC	--	4
15	ÉCROU, M6	--	4
16	MANOMÈTRE DU RÉSERVOIR, 1/8 NPT 1,5 PO DIA.	--	1
17	RACCORD, 1/4 X 48 NPT	■	1
18	MANOSTAT	■	1
19	SOUPAPE DE SÉCURITÉ	■	1
20	BOUCHON, 1/4 NPT	■	1
21	RACCORD, 1/4 X 30 NPT	■	1
22	RÉGULATEUR	■	1
23	MANOMÈTRE DE SORTIE, 1/8 NPT 2 PO DIA.	■	1
24	COUPLEUR	■	1
25	ÉCROU DE DÉCHARGE	▼	1
26	TUBE DÉCHARGEUR	▼	1
27	CORDON D'ALIMENTATION	--	1
28	CÂBLE D'ALIMENTATION U	--	2
29	CÂBLE D'ALIMENTATION O	--	1
30	BOULON	--	2
31	RÉSERVOIR	--	1
32	VANNE DE DRAINAGE	SR060513SV	1
33	ÉCROU, M8	◆	2
34	RONDELLE, M8	◆	4
35	PIED EN CAOUTCHOUC	◆	2
36	BOULON, M8 x 25	◆	2
37	ÉCROU, M10	◆	2
38	RONDELLE ÉLASTIQUE, M10	◆	2
39	ROUE, 6 PO	◆	2
40	BOULON, M10 x 36.5	◆	2
<b>TROUSSES DE PIÈCES DE RÉPARATION</b>			
▲	TROSSE DU CONDENSATEUR	SR060514SV	
▼	ENSEMBLE DU TUYAU DE DÉSTAGE	SR080515SV	
◆	ENSEMBLE DU PIED EN CAOUTCHOUC	SR080512SV	
●	ENSEMBLE DU TUYAU D'ÉCHAPPEMENT	SR080513SV	
■	ENSEMBLE DU MANOSTAT/RÉGULATEUR	SR060518SV	
◆	ENSEMBLE DE ROUE DU RÉSERVOIR	SR080514SV	
--	NON OFFERT		



**Mémento : Gardez votre preuve datée d'achat jusqu'à la fin de la garantie! Joignez-la à ce manuel ou classez-la dans un dossier pour plus de sécurité.**

## **GARANTIE LIMITÉE**

1. DURÉE : Comme suit, à compter de la date d'achat par l'acheteur initial : un an.
  2. QUI OFFRE CETTE GARANTIE (DÉBITEUR) : Campbell Hausfeld, une entreprise Marmon/Berkshire Hathaway, 100 Production Drive, Harrison, Ohio, 45030, visitez le [www.campbellhausfeld.com](http://www.campbellhausfeld.com)
  3. QUI REÇOIT CETTE GARANTIE (ACHETEUR) : L'acheteur initial (à des fins autres que la revente) du compresseur d'air Campbell Hausfeld.
  4. QUELS PRODUITS SONT COUVERTS PAR CETTE GARANTIE : Ce compresseur d'air Campbell Hausfeld DC080500.
  5. QU'EST-CE QUI EST COUVERT SOUS CETTE GARANTIE : Pièces et main-d'œuvre afin de remédier aux défauts substantiels causés par les matériaux et la main-d'œuvre pendant la première année de propriété avec les exceptions ci-dessous. Pièces seulement afin de remédier aux défauts substantiels causés par les matériaux et la main-d'œuvre pendant le reste de la période de couverture avec les exceptions ci-dessous.
  6. QU'EST-CE QUI N'EST PAS COUVERT SOUS CETTE GARANTIE :
    - A. Les garanties tacites, incluant celles de qualité marchande et D'APTITUDE POUR UN USAGE PARTICULIER SONT LIMITÉES À PARTIR DE LA DATE ORIGINALE D'ACHAT, COMME DÉCLARÉ À LA DURÉE. Si le compresseur est utilisé à des fins commerciales, industrielles ou locatives, la garantie s'appliquera pendant les quatre-vingt-dix (90) jours à compter de la date d'achat. Les compresseurs à deux étages ne sont pas limités à la garantie de quatre-vingt-dix (90) jours lorsqu'ils sont utilisés en applications commerciales ou industrielles. Certains États n'autorisent pas les limitations relatives à la durée d'une garantie tacite, par conséquent, les limitations précédentes pourraient ne pas s'appliquer à vous
    - B. LA PERTE, LES DOMMAGES OU LES DÉPENSES ACCIDENTELS, INDIRECTS OU CONSÉQUENTS RÉSULTANT D'UN DÉFAUT, D'UNE PANNE OU D'UN MAUVAIS FONCTIONNEMENT DU PRODUIT CAMPBELL HAUSFELD. Certains États n'autorisent pas l'exclusion ou la limitation des dommages accidentels ou consécutifs, par conséquent, la limitation ou exclusion mentionnée ci-dessus peut ne pas s'appliquer à vous.
    - C. Toute défaillance causée par un accident, le mauvais traitement par l'acheteur, la négligence ou le défaut d'utiliser les produits selon les instructions fournies dans le manuel du propriétaire fourni avec le compresseur.
    - D. Le service précédent la livraison, p. ex., l'assemblage, l'huile ou les lubrifiants, et l'ajustement.
    - E. Les éléments ou le service normalement requis à l'entretien du produit, p. ex., les lubrifiants, filtres et joints d'étanchéité, etc.
    - F. Les moteurs à essence et les composants sont expressément exclus de la couverture sous la présente garantie limitée. L'acheteur doit respecter la garantie offerte par le fabricant du moteur, lequel est fourni avec le produit
    - G. Éléments supplémentaires non couverts sous cette garantie :
      1. Les éléments exclus relatifs à tous les compresseurs
        - a. Tout composant endommagé lors du transport ou toute faute causée par l'installation ou le fonctionnement de l'unité sous des conditions ne respectant pas les directives d'installation et de fonctionnement ou endommagé par le contact avec des outils ou l'environnement.
        - b. La panne de la pompe ou de la soupape causée par la pluie, l'humidité excessive, les environnements corrosifs ou autres contaminants.
        - c. Les défauts cosmétiques n'interférant pas avec le fonctionnement du compresseur.
        - d. Les réservoirs rouillés, y compris mais non limités à la rouille en raison d'un mauvais drainage ou d'un milieu corrosif.
        - e. Les composants suivantes sont considérées comme des éléments d'usure normale et ne sont pas couvertes après la première année d'acquisition. Le moteur électrique, le clapet anti-retour, le manostat, le régulateur, les manomètres, le tuyau, la tuyauterie, le conduit, les raccords et les coupleurs, les vis, les écrous, les articles de quincaillerie, les courroies, les poulies, le volant, le filtre à air et le compartiment, les joints d'étanchéité, les joints, les fuites d'huile, les fuites d'air, la consommation d'huile ou l'utilisation, les segments de piston.
        - f. Les vannes de drainage du réservoir.
        - g. Les dommages dus à une tension erronée ou à un mauvais câblage.
        - h. Les autres éléments qui ne sont pas énumérés, mais qui sont considérés comme des pièces d'usure normale.
        - i. Les manostats, les régulateurs d'air, les dispositifs de charge / de délestage, les dispositifs de commande de puissance et les soupapes de sécurité qui ont été modifiés de leurs paramètres d'usine.
        - j. Les dommages découlant d'un mauvais entretien du filtre.
        - k. Les moteurs à induction qui sont alimentés à base d'électricité provenant d'une génératrice.
      2. Les éléments exclus qui sont spécifiques aux compresseurs lubrifiés :
        - a. L'usure de la pompe ou les dommages à la vanne en raison de l'utilisation d'une huile non stipulée.
        - b. L'usure de la pompe ou les dommages causés par la contamination de l'huile.
        - c. L'usure de la pompe ou les dommages provoqués par le non-respect des procédures d'entretien de l'huile, d'une utilisation en-dessous du niveau d'huile approprié ou bien d'un fonctionnement sans huile.
    - H. La main-d'œuvre, l'appel de service, ou les frais de transport après la première année de propriété.
  7. LES RESPONSABILITÉS DU GARANT SOUS CETTE GARANTIE : La réparation ou le remplacement, à la discrétion du Garant, du compresseur ou du composant qui est défectueux, qui a mal fonctionné et/ou qui ne s'est pas conformé pendant la période de garantie spécifique.
  8. LES RESPONSABILITÉS DE L'ACHETEUR SOUS CETTE GARANTIE :
    - A. De fournir une preuve d'achat datée et les dossiers d'entretien.  
Appelez Campbell Hausfeld au (800-543-6400) pour obtenir vos options de service sous garantie. Les frais de transport doivent être assumés par l'acheteur.
    - C. Faites preuve de diligence raisonnable dans le fonctionnement et l'entretien des produits, comme décrits dans le manuel du propriétaire.
    - D. Les réparations qui nécessitent des heures supplémentaires, des tarifs de week-end, ou tout ce qui se trouve en dehors des taux de remboursement de la garanti standard du fabricant.
    - E. Le temps requis pour toute vérification de sécurité, formation de sécurité, ou semblable afin que le personnel de service puisse accéder à l'installation.
    - F. L'emplacement de l'unité doit posséder un espace de dégagement adéquat afin que le personnel de service puisse effectuer les réparations de manière adéquate.
  9. LORSQUE LE GARANT EFFECTUERA TOUTE RÉPARATION OU REMPLACEMENT SOUS CETTE GARANTIE : La réparation ou le remplacement sera planifié et desservi selon le flux de travail normal à l'emplacement de service, et ce, selon la disponibilité des pièces de remplacement.
- Cette garantie limitée s'applique aux États-Unis, au Canada et au Mexique uniquement et elle vous confère des droits légaux spécifiques. Vous bénéficiez également d'autres droits qui peuvent varier d'État en État ou de pays en pays.