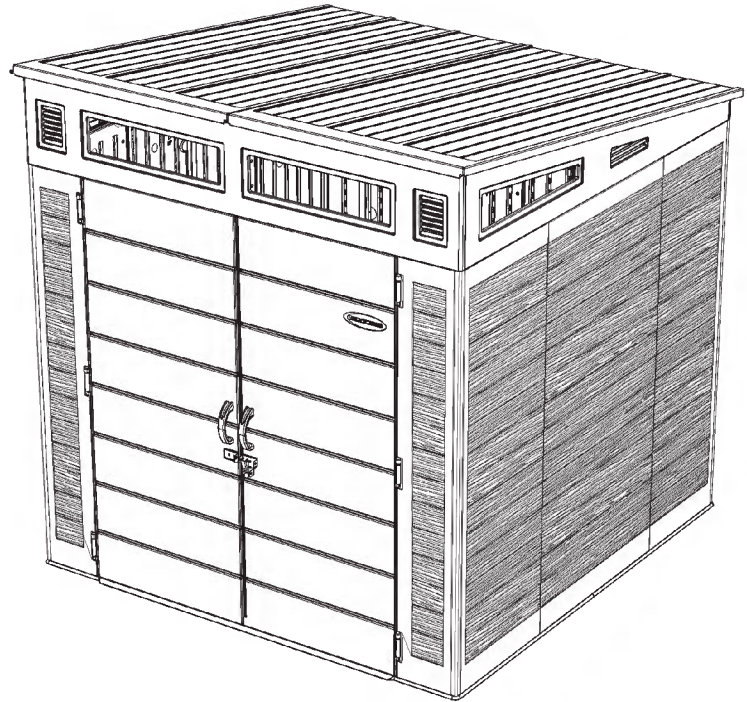
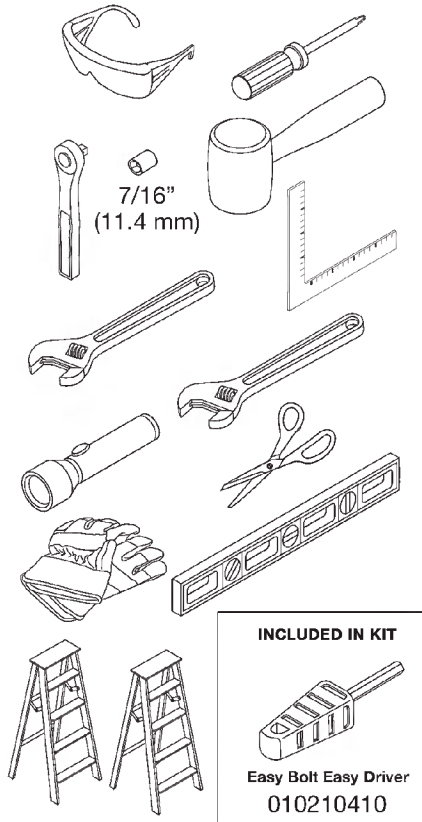


BMS7780/BMS7786

ASSEMBLY INSTRUCTIONS



Tools Required



Smart. Inside & Out®

Register your product for Limited Warranty!

Must register product within 90 days of purchase for limited warranty



Scan for updated Limited Warranty

www.suncast.com/warranty or call US 1 (800) 846-2345

Have Questions?

We are here to help. Check out our resource library along with helpful tips, videos and FAQ's at <https://support.suncast.com>

You may call the Customer Care Center directly at: 1 (800) 846-2345 or write Suncast Corporation, Customer Care Center, 701 N. Kirk Road, Batavia, IL 60510 (USA)

To purchase Suncast replacement parts and learn about other Suncast products visit us online or call.



www.suncast.com


1-800-846-2345 or 1-630-381-6309.

ULINE H-11339

1-800-295-5510



Before You Begin...

- **Consult your local authorities for any permits required to construct shed.**
Prior to the construction of your shed, check with the local building code official to review any required permits or building limitations.
- **A level and sturdy foundation is required before shed construction can begin.**
Site preparation information is available on pages 10-11. A foundation that differs from the suggestions within this manual could prevent proper assembly and may damage parts.
- **Read instructions thoroughly prior to assembly.**
This kit contains parts that can be damaged if assembled incorrectly or in the wrong sequence.
- **Please follow instructions.**
SunCast is not responsible for replacing parts lost or damaged due to incorrect assembly.
- **Assistance is required during entire assembly.** 

IMPORTANT

OPEN ALL BOXES FIRST AND NEATLY LAYOUT PARTS. SMALL PARTS MAY BE CONTAINED IN EACH BOX. PLEASE REFERENCE THE PARTS LIST WITHIN THIS MANUAL TO VERIFY ALL PARTS ARE PRESENT.

COMPLETE SITE PREPARATION AND FOUNDATION CONSTRUCTION BEFORE UNPACKING ALL PARTS.



Caution

- Proper site preparation required.
- Shed not intended for use in extreme weather conditions.
- Shed not intended for storage of flammable or caustic chemicals.
- Store heavy items near the bottom of shed.
- Shed not intended for use by children.
- **DO NOT** stand, sit, or store items on storage shed roof.
- Treat carefully in extreme temperatures.
- Repair or replace broken parts immediately.
- SunCast is not responsible for damage caused by weather or misuse.
- At regular intervals, inspect your shed to make sure that assembly integrity has been maintained.
- Periodically check that the location you have chosen to set your shed is still level.
- This kit contains parts with metal edges. Please be careful when handling.



Care Instructions

- Hot items, such as recently used grills, blowtorches, etc., must not be stored in the shed.
- Heavy articles should not be leaned against the walls, as this may cause panel distortion and permanent damage.
- Keep roof clean of snow and leaves.
- The shed walls and roof sections have a textured exterior, much like vinyl home siding. Over time, dust may accumulate in the texture. When combined with moisture, this could encourage the growth of moss or mold on the shed. To maintain the look of your shed, we recommend cleaning it each year with mild soap and water. **DO NOT** use bleach, ammonia, or other caustic cleaners, and **DO NOT** use stiff bristle brushes. Failure to perform annual cleaning could result in permanent staining of the plastic. This is not a manufacturing defect and is not covered under warranty.



Assembly Day Tips

- Complete site preparation and foundation construction before unpacking parts and beginning assembly.
- **DO NOT** attempt to assemble on a day with strong winds.
- **DO NOT** attempt to assemble on days when temperature is below 32 degrees Fahrenheit.
- Set aside appropriate amount of time to completely assemble shed.
- Make sure you have assistance nearby to lift and secure parts in place.
- Wear light duty work gloves while assembling shed.
- Once roof is assembled, a flashlight may be of use when assembling smaller components inside shed.
- **DO NOT** use a hand drill to tighten provided Easy bolts. Use 010210410 Easy Bolt Easy Driver tool (provided) **ONLY**.
- Suncoast provides extra hardware for small fasteners for customer convenience. In some cases, there will be extra small fasteners once the assembly is complete.

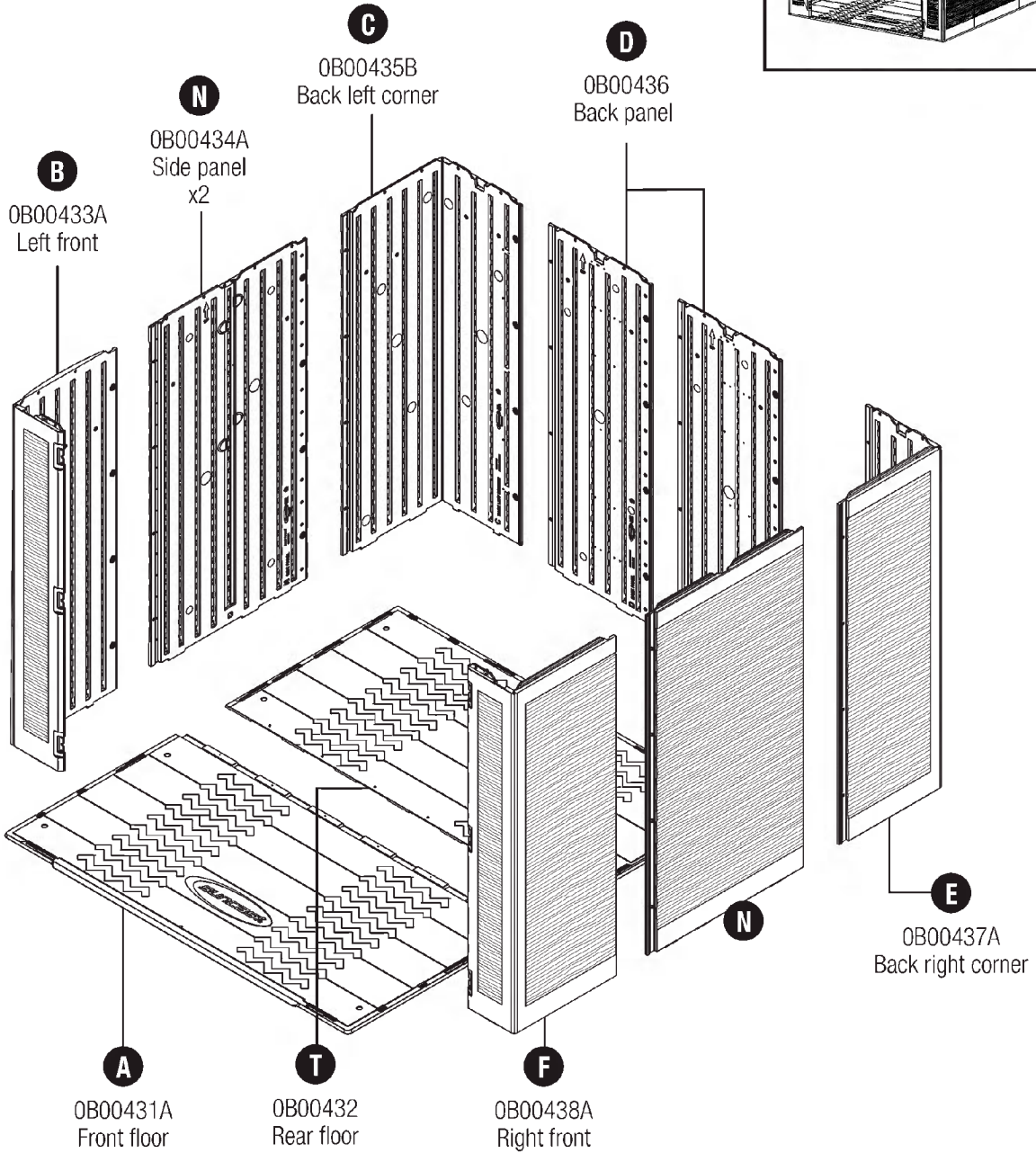
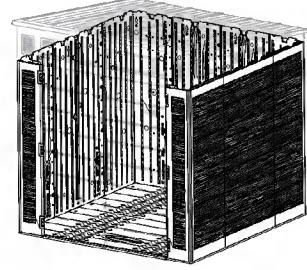
Note: This product contains parts that are used in different orientations to construct the shed. Please take note of the orientation of the parts shown throughout this instruction manual. Failure to follow instructions could result in damage to parts. Suncoast is not responsible for replacing parts lost or damaged due to incorrect assembly.

Parts – Walls and Floors

IMPORTANT

OPEN ALL BOXES FIRST AND NEATLY LAY OUT PARTS. SMALL PARTS MAY BE CONTAINED IN EACH BOX. PLEASE REFERENCE THE PARTS LIST WITHIN THIS MANUAL TO VERIFY ALL PARTS ARE PRESENT.

COMPLETE SITE PREPARATION AND FOUNDATION CONSTRUCTION BEFORE UNPACKING ALL PARTS.

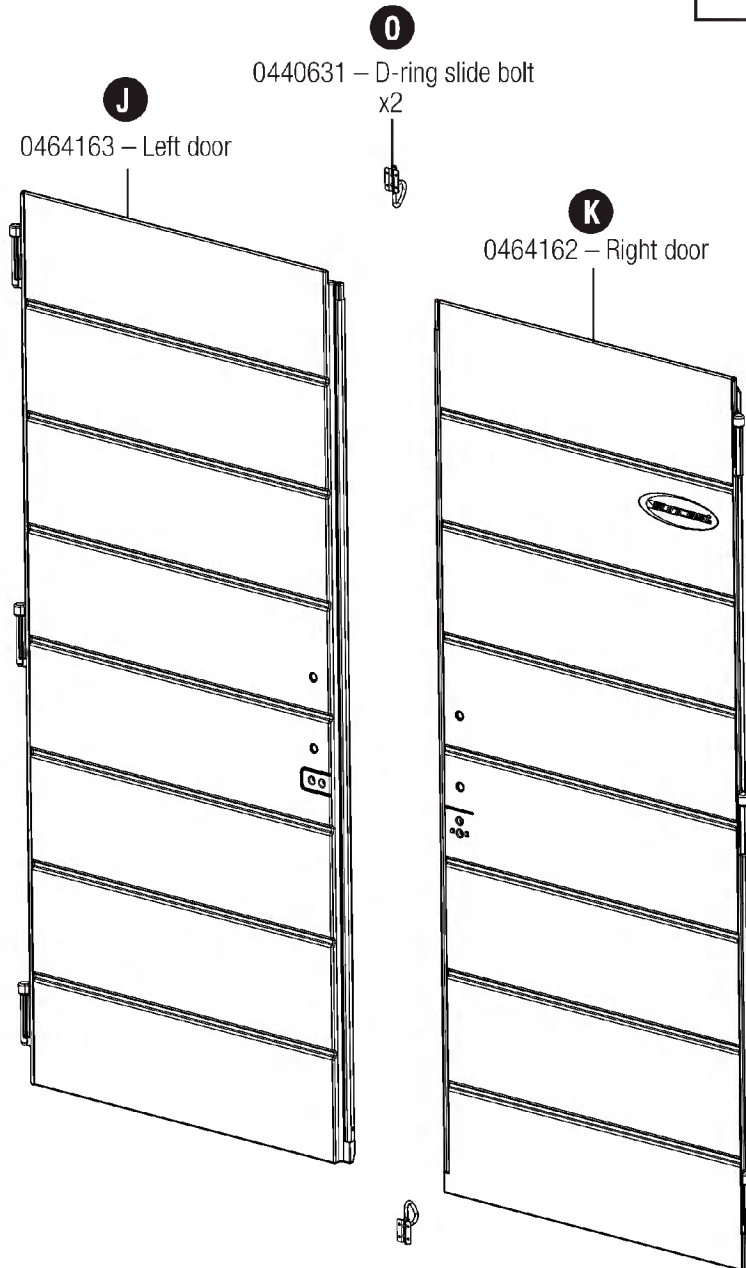
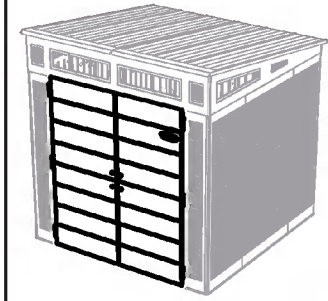


Parts – Doors

IMPORTANT

OPEN ALL BOXES FIRST AND NEATLY LAY OUT PARTS. SMALL PARTS MAY BE CONTAINED IN EACH BOX. PLEASE REFERENCE THE PARTS LIST WITHIN THIS MANUAL TO VERIFY ALL PARTS ARE PRESENT.

COMPLETE SITE PREPARATION AND FOUNDATION CONSTRUCTION BEFORE UNPACKING ALL PARTS.



ULINE H-11339

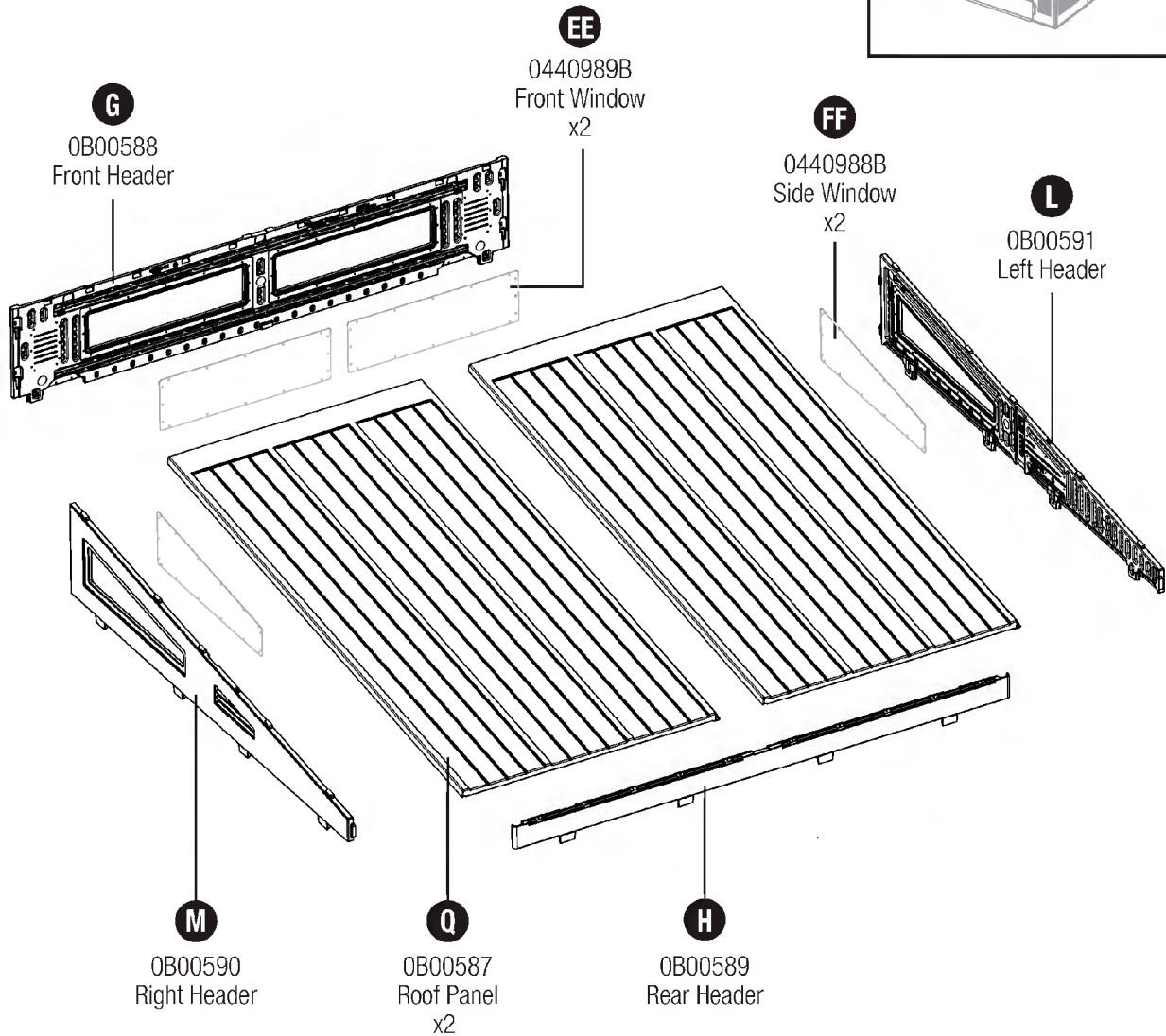
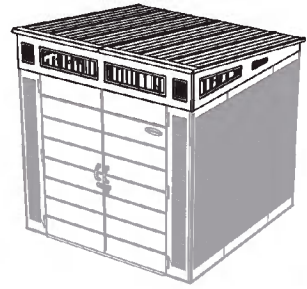
1-800-295-5510

Parts – Roof, Headers and Windows

IMPORTANT

OPEN ALL BOXES FIRST AND NEATLY LAY OUT PARTS. SMALL PARTS MAY BE CONTAINED IN EACH BOX. PLEASE REFERENCE THE PARTS LIST WITHIN THIS MANUAL TO VERIFY ALL PARTS ARE PRESENT.

COMPLETE SITE PREPARATION AND FOUNDATION CONSTRUCTION BEFORE UNPACKING ALL PARTS.

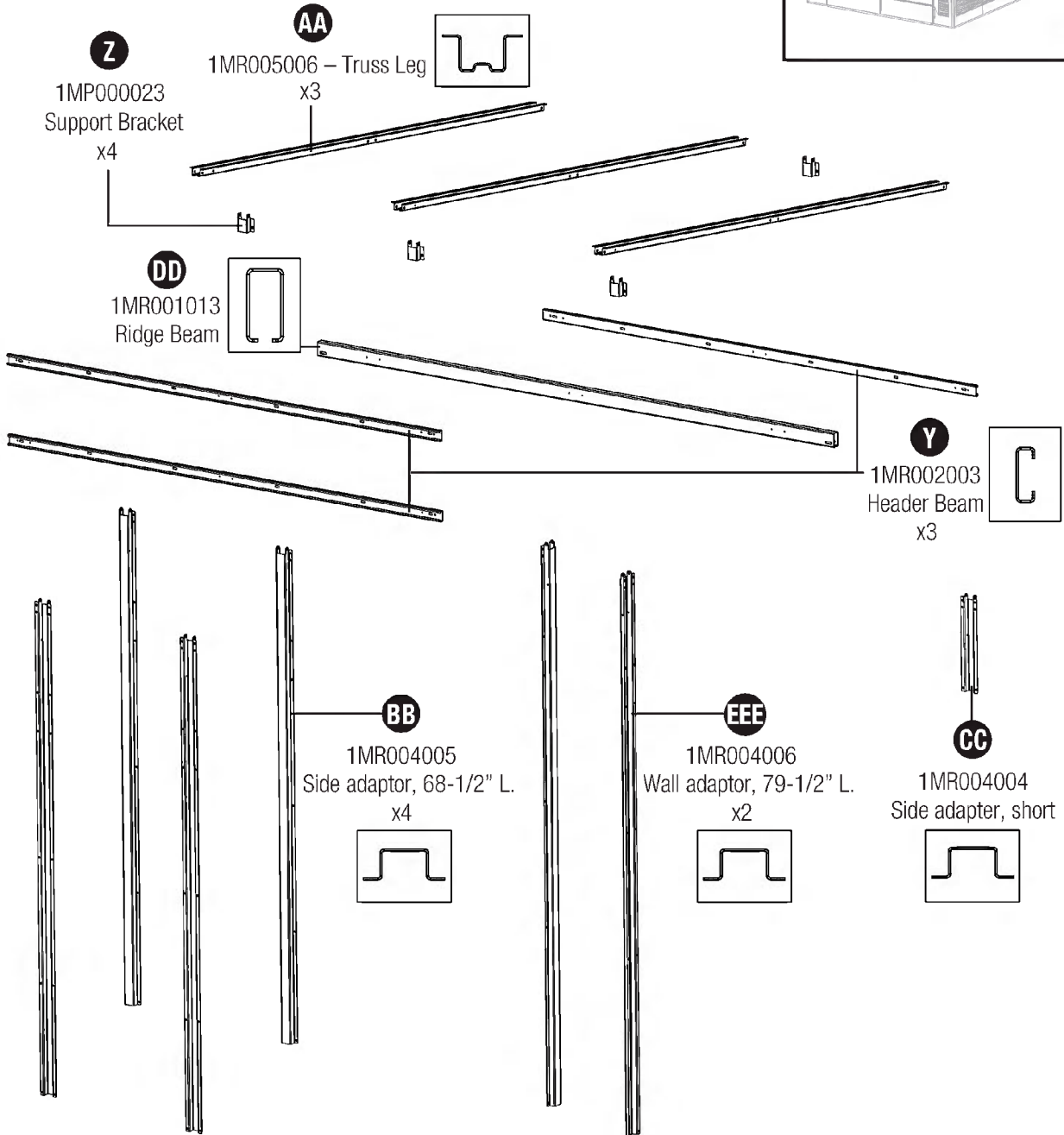
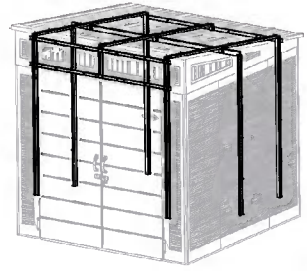


Parts – Roof Steel

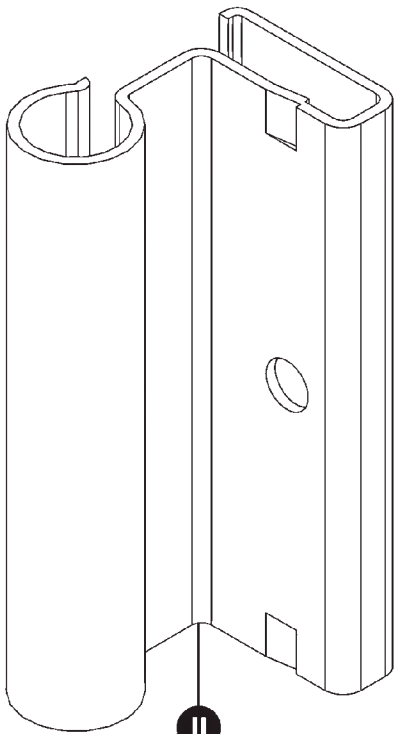
IMPORTANT

OPEN ALL BOXES FIRST AND NEATLY LAY OUT PARTS. SMALL PARTS MAY BE CONTAINED IN EACH BOX. PLEASE REFERENCE THE PARTS LIST WITHIN THIS MANUAL TO VERIFY ALL PARTS ARE PRESENT.

COMPLETE SITE PREPARATION AND FOUNDATION CONSTRUCTION BEFORE UNPACKING ALL PARTS.

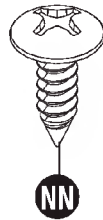


Hardware



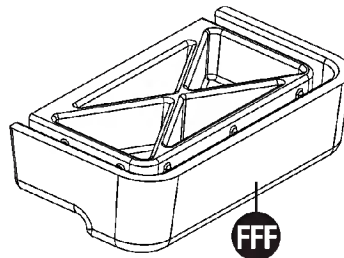
OMP000002 – Metal hinge plate
x6

0480375 – Hardware bag



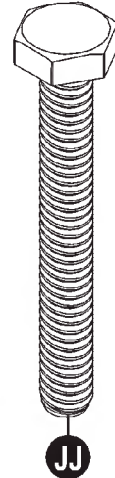
.625" Screw
x315

Wall Adapter Cap

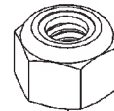


FFF

0480493 – Hardware bag

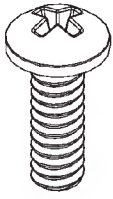


.25" x 2" Hex bolt
x12

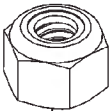


.25" Locking nut
x12

0480337 – Hardware bag

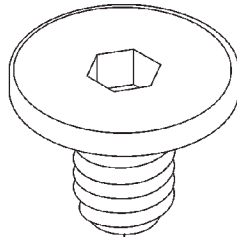


.25" x .75" Screw
x6

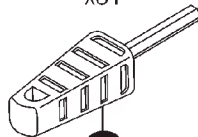


.25" Locking nut
x6

Hardware bag

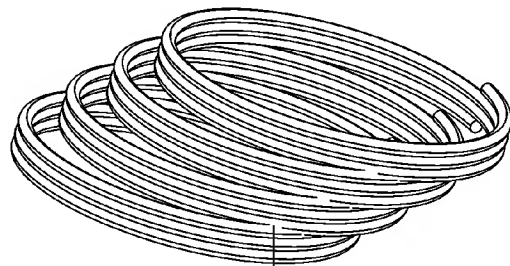


Easy bolt 7/8"
x31



*Easy bolt easy driver

0440990 – Window Gaskets

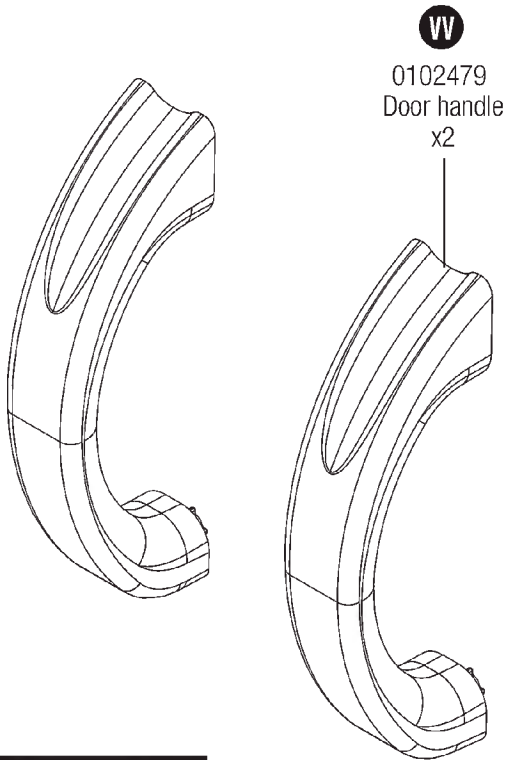


P
x4

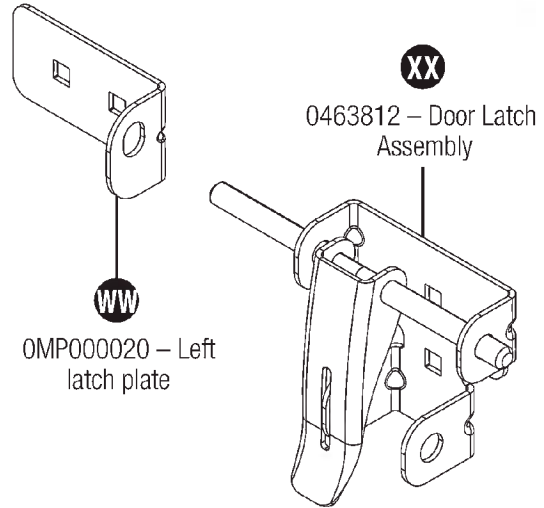
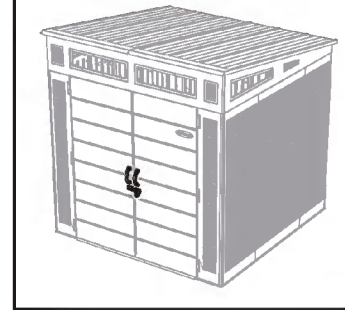
Hardware shown at actual size (*unless otherwise noted). Extra hardware provided. Not all are used.

Parts – Door Handle Kit

0463795 – Door handle kit

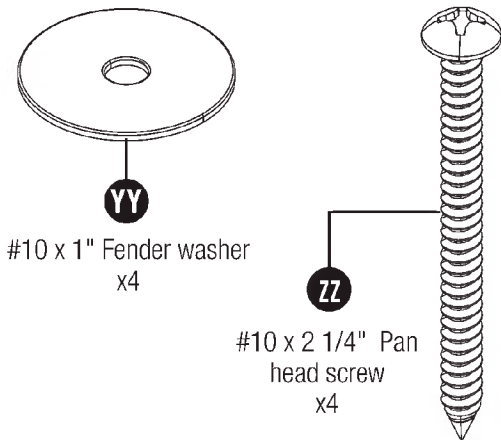


0463797 – Door latch kit

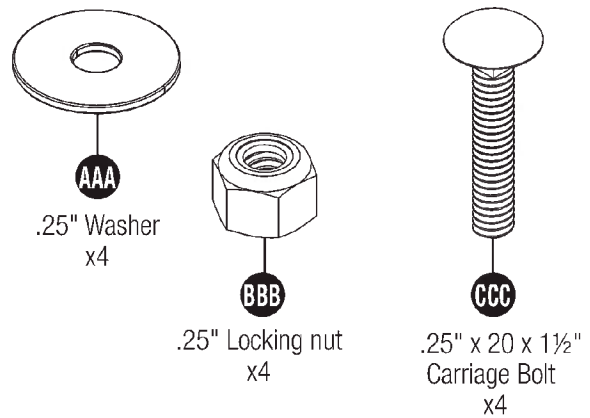


Hardware

0480370 – Hardware bag



0480439A – Hardware bag



Hardware shown at actual size (*unless otherwise noted). Extra hardware provided. Not all are used.

Site Preparation and Platform Construction

Materials **NOT** supplied with Shed Kit

Note: Site preparation is required for this shed. Placing the shed on a constructed foundation is required. Without a constructed foundation, settling will probably occur, causing distortion and damage to the shed. Suncoast is not responsible for replacing parts damaged or property lost due to incorrect assembly. Warranty requires foundation.

Note: Complete the site preparation and foundation construction before unpacking parts and beginning assembly. For tips on site preparation, go to www.suncoast.com, consult retailer, or local code.

To prepare your shed site, follow the steps below:

- 1) Consult your local authorities for building codes and covenants before beginning foundation or erecting shed.
- 2) Before any digging, check with local utilities to determine location of buried cables, pipes, etc.
- 3) Decide which type of foundation you want:
 - Concrete slab, 4" thick

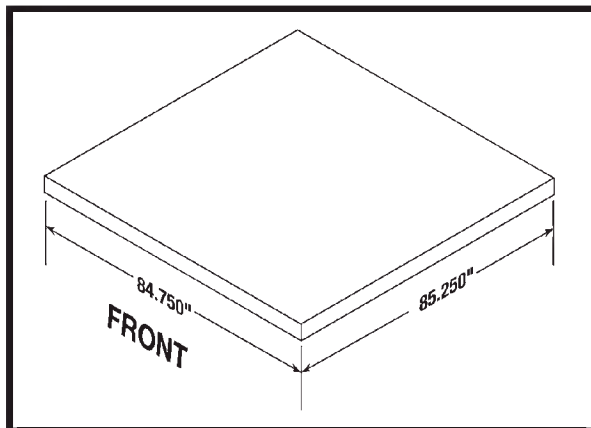
OR

- Wood platform

Use exterior grade wood. The wood platform should be set on pier blocks or footing. Consult your local retailer for help to determine the best anchoring method for your particular installation. The provided plans are sized for the minimum number of cuts to lumber and plywood.

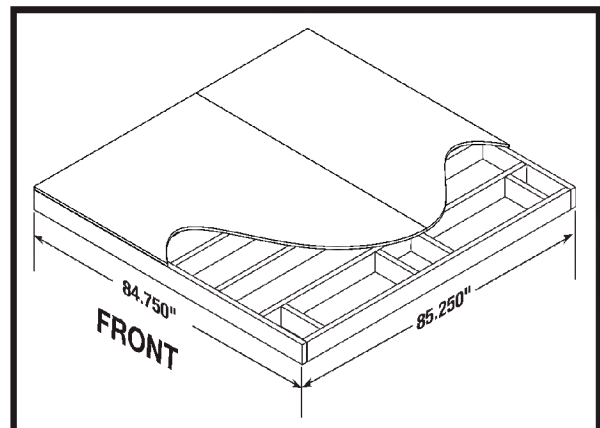
- 4) Prepare the building site:
 - The ground should slope away from the foundation area to provide drainage.
 - The foundation surface must be flat and level.
 - A vapor barrier should be provided to prevent excessive condensation in the shed.
 - Follow local building codes for a proper vapor barrier.
- 5) Anchoring the shed to the foundation:
 - Consult your local retailer for help to determine the best anchoring method for your particular installation.
 - To secure the shed to a concrete slab, use masonry fasteners available at your local hardware retailer.
 - To secure the shed to a wood platform, use 1/4" x 3" long lag screws with washers.

Anchoring floor panel to concrete slab



- Secure shed to concrete slab using masonry fasteners.
- Dimensions allow for shed to fit within the nearest 1" on each side.

Anchoring floor panel to wood platform



- Secure shed to wood platform using 1/4" x 3" lag screws.

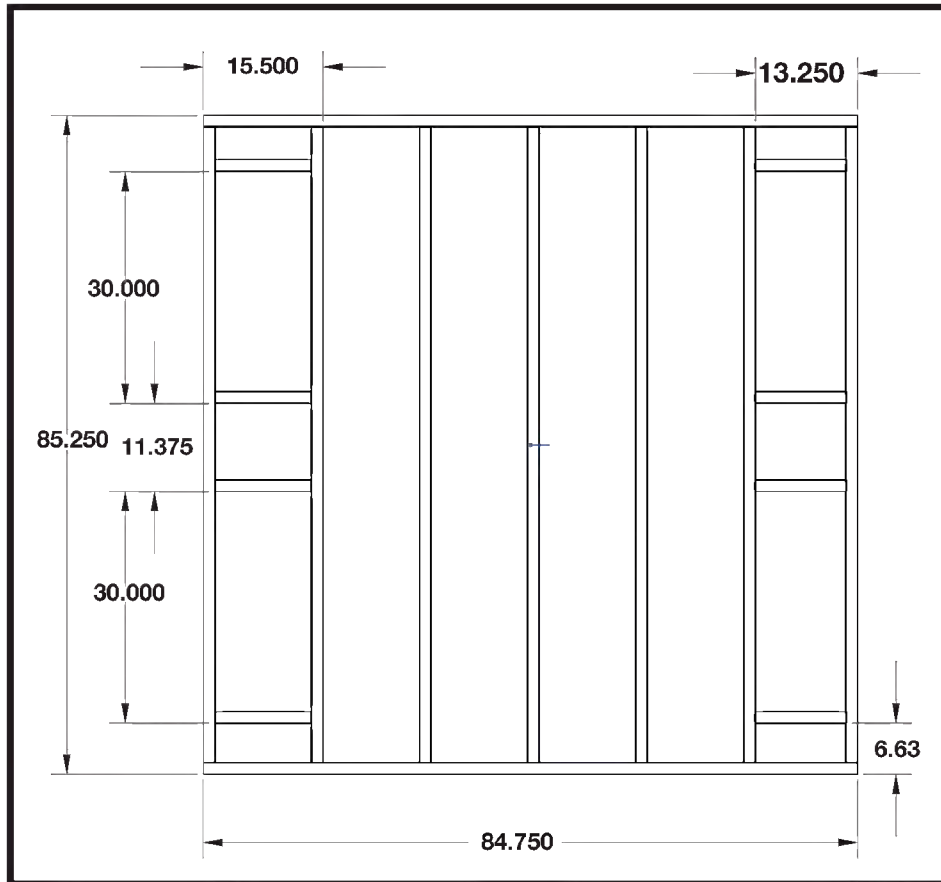
ULINE H-11339

1-800-295-5510

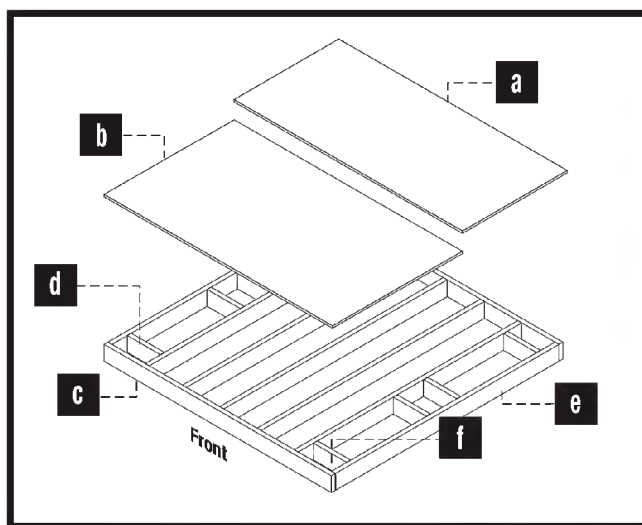
Site Preparation and Platform Construction (continued)

Materials **NOT** supplied with Shed Kit

Wood platform critical spacing



- Check all critical spacing measurements.



Wood platform materials list

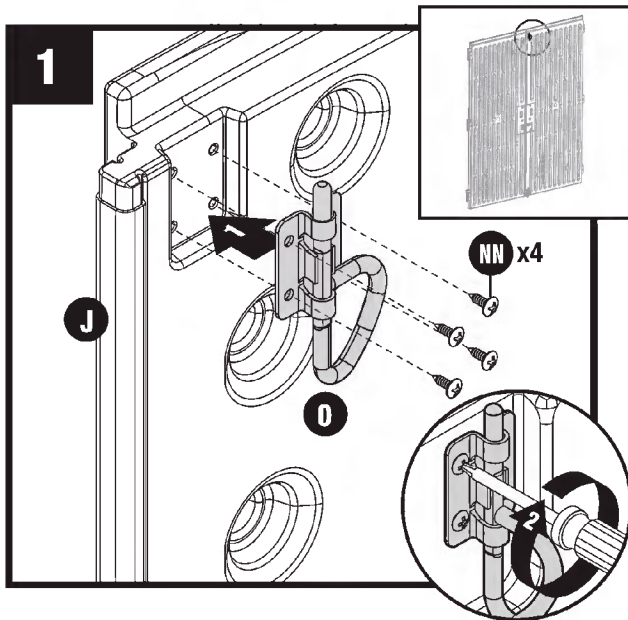
Item	Qty	Size
a	1	37.25" x 84.75" x .75"
b	1	48" x 84.75" x .75"
c	2	2" x 6" x 84.75"
d	4	2" x 6" x 12.5"
e	7	2" x 6" x 82.25"
f	4	2" x 6" x 11.75"

- Please note-dimensional lumber is actually 1/2" smaller than noted sizes.

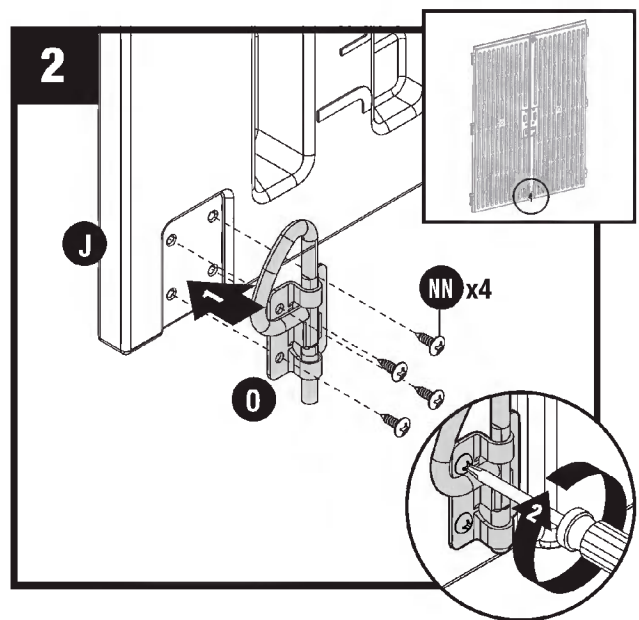
ULINE H-11339

1-800-295-5510

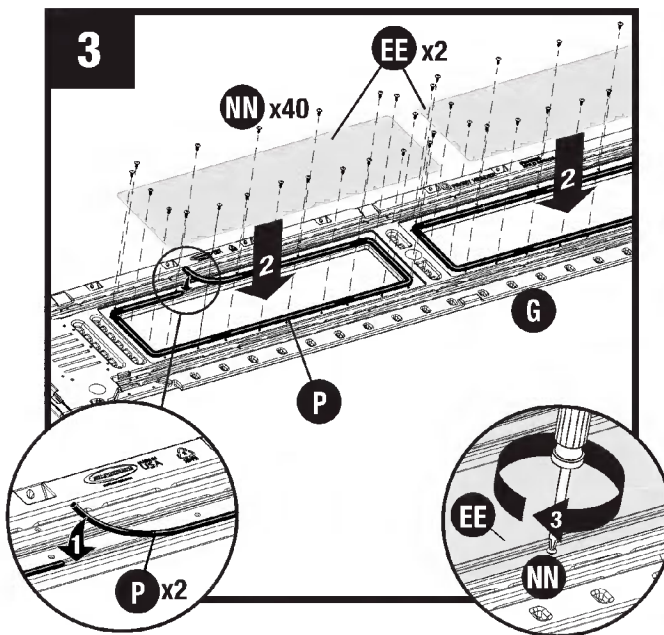
Door and Header Pre-Assembly



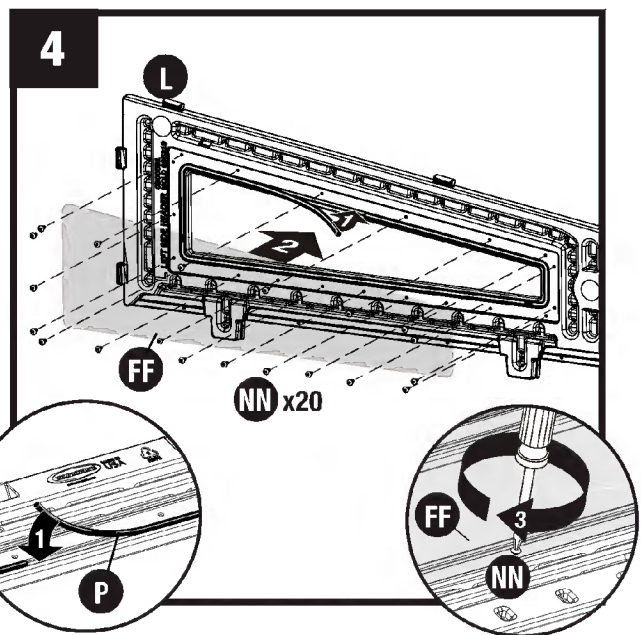
At top interior side of left door (J), attach D-ring slide bolt (O) with four screws (NN) through provided holes.



At bottom interior side of left door (J), attach D-ring slide bolt (O) with four screws (NN) through provided holes.

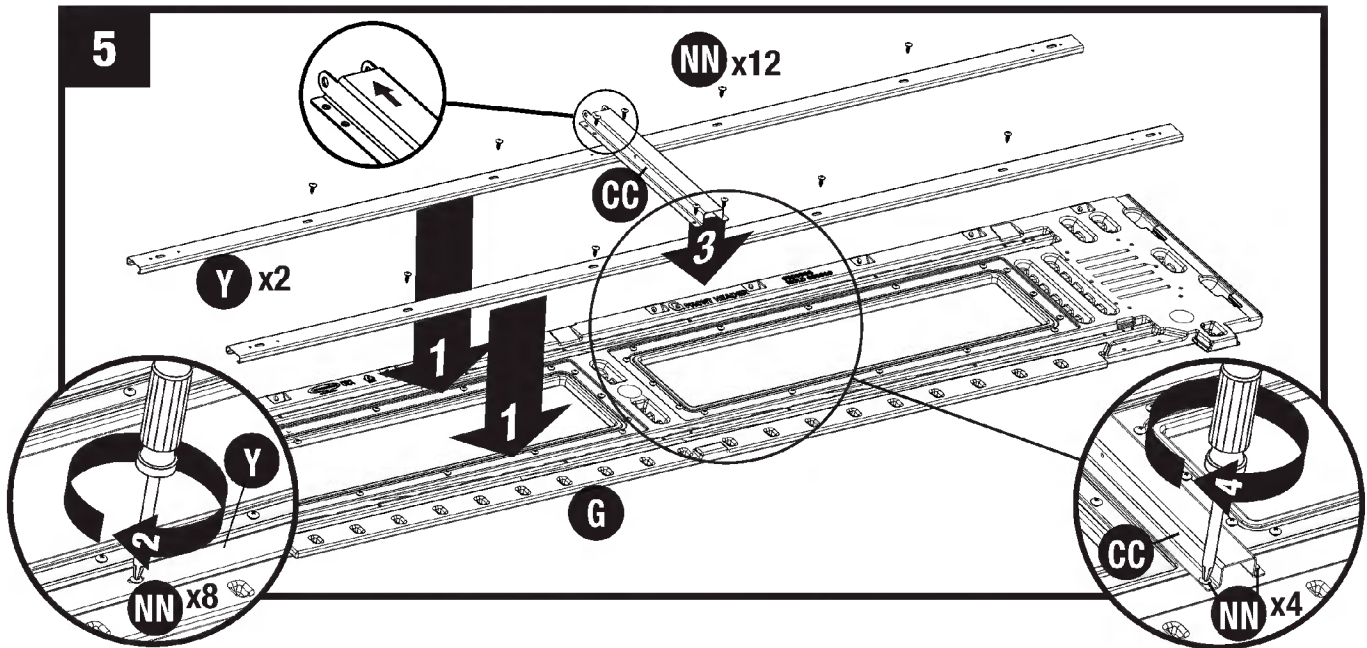


Place Front Header (G) on flat surface, facing down. Insert one gasket (P) into the groove around each window opening. Lay one window pane (EE) over each window opening. Secure window panes with 40 screws (NN).

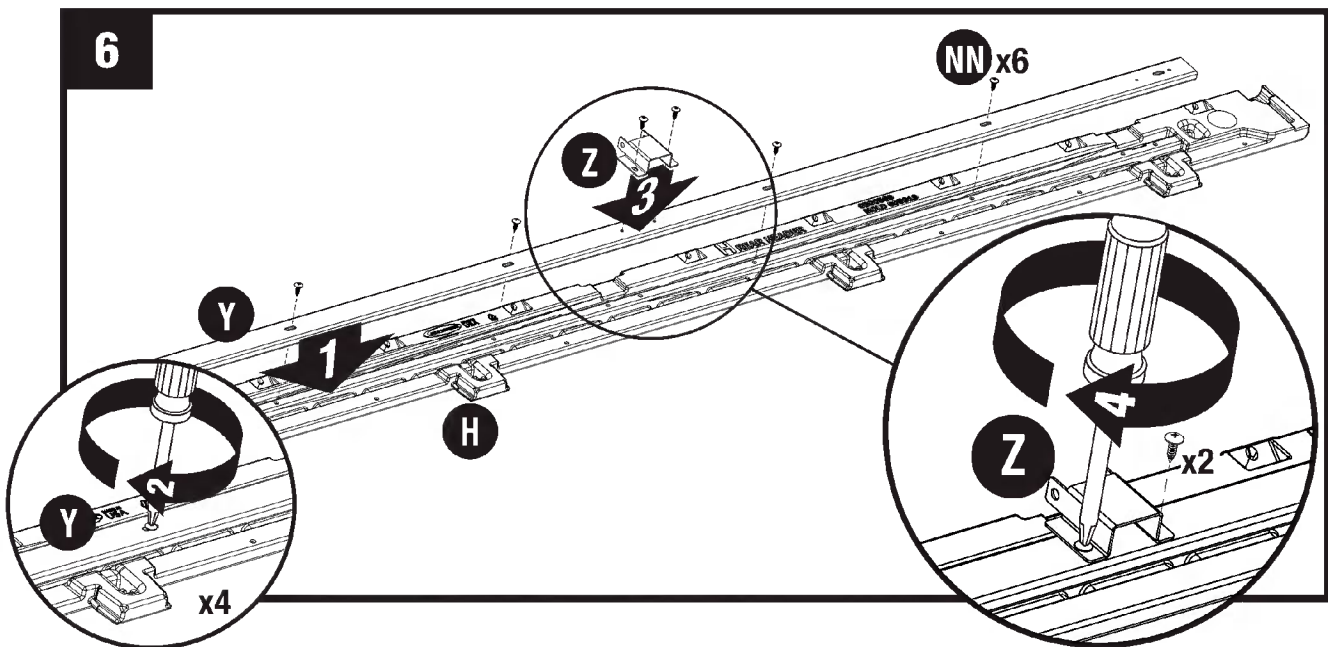


Place Left Side Header (L) on flat surface facing down. Insert one gasket (P) into groove around window opening. Place side window pane (FF) over window opening. Secure window pane with 20 screws (NN). Repeat for Right Side Header (M).

Door and Header Pre-Assembly – /Continued

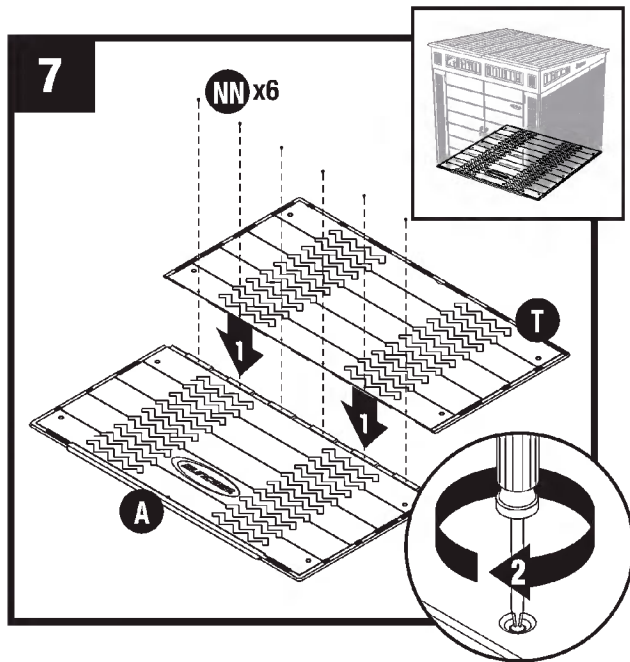


Place Front Header (G) face down on flat surface. Place one header beam (Y) in each channel above and below the window openings. Secure Beams (Y) with eight screws (NN). Place short side adapter (CC) between windows with the flat bottom end facing down. Secure adapter (CC) with four screws (NN).



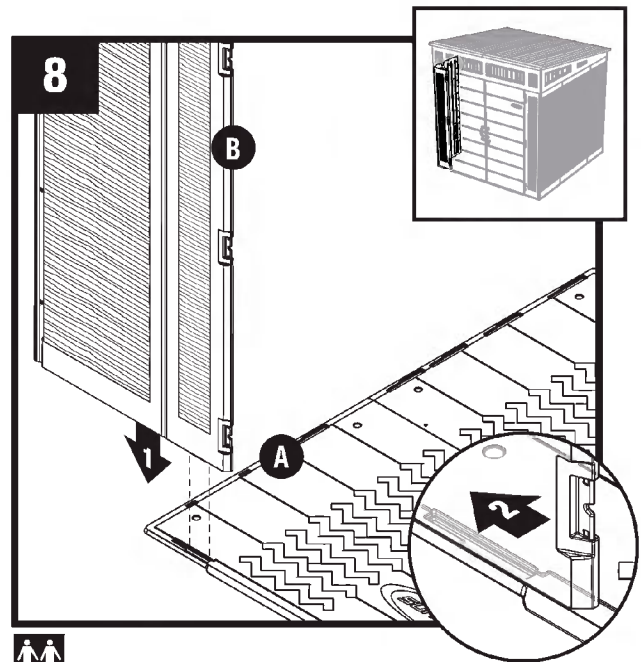
Place Rear Header (H) face down on flat surface. Place remaining header beam (Y) in channel on back of header. Secure Beam (Y) with four screws (NN). Place support bracket (Z) at center of beam with the flat bottom end facing down. Secure bracket (Z) with two screws (NN).

Shed Assembly – Floors and Walls



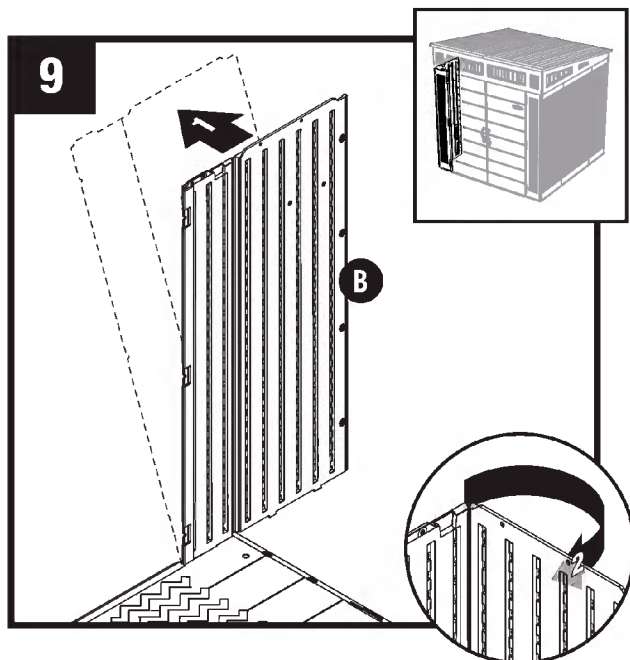
Push front floor (A) and rear floor (T) panels together and secure with six screws (NN).

Note: Refer to pages 10 and 11 for information about how to secure floors to foundation.

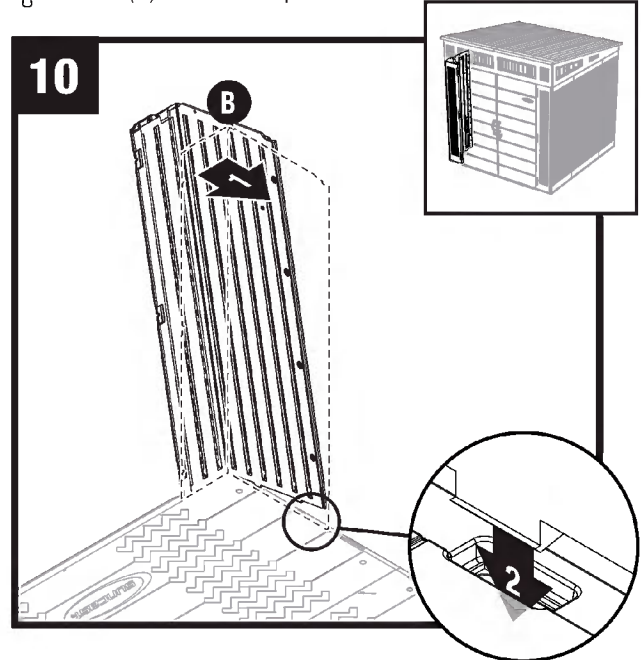


Align tab on bottom right side of left front corner (B) with slot on front floor (A). Lower panel into slot and lock in place by sliding panel toward outside of floor.

Note: Use a rubber mallet to “push” left front corner (B) into locked position.



Tip left front corner (B) outward slightly and bend corner hinge.



Tip left front corner (B) back to vertical position and align lower tabs on right side with slots in floor.

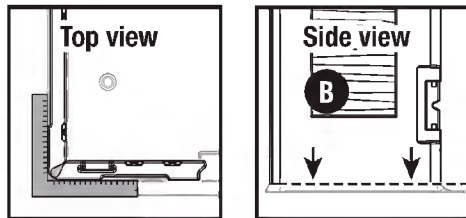
Note: You will hear a snap when tab is fully engaged.

Shed Assembly – Walls

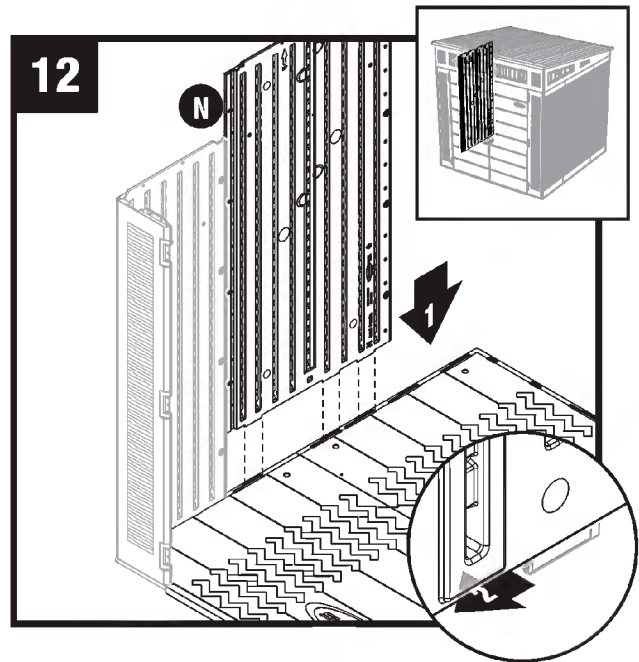
11

Before proceeding, make sure corner is square (top view) where it meets the floor and that panel is flush (side view) with floor.

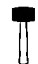
If not, repeat Steps 9-10 until square and flush.



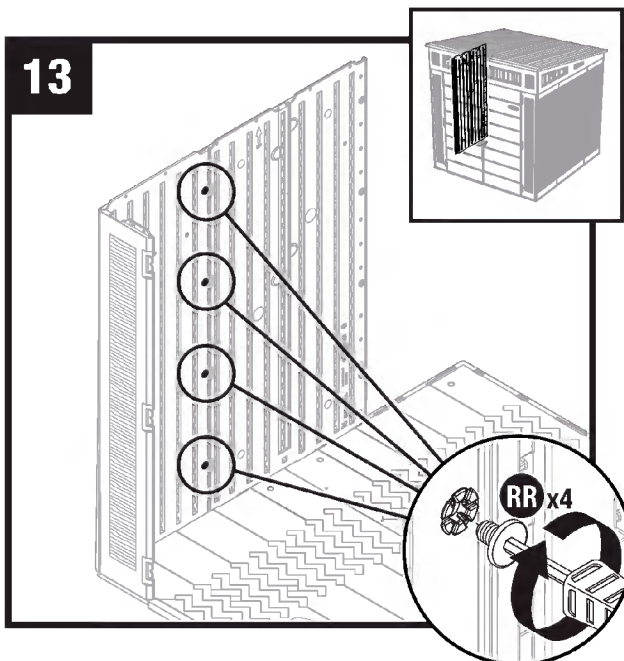
12




Align tabs on bottom of side panel (N) with slots along front and rear floors. Lower panel into slots and lock in place by sliding panel toward front corner.

 **Note:** Use a rubber mallet to “push” side panel (N) into locked position.

13

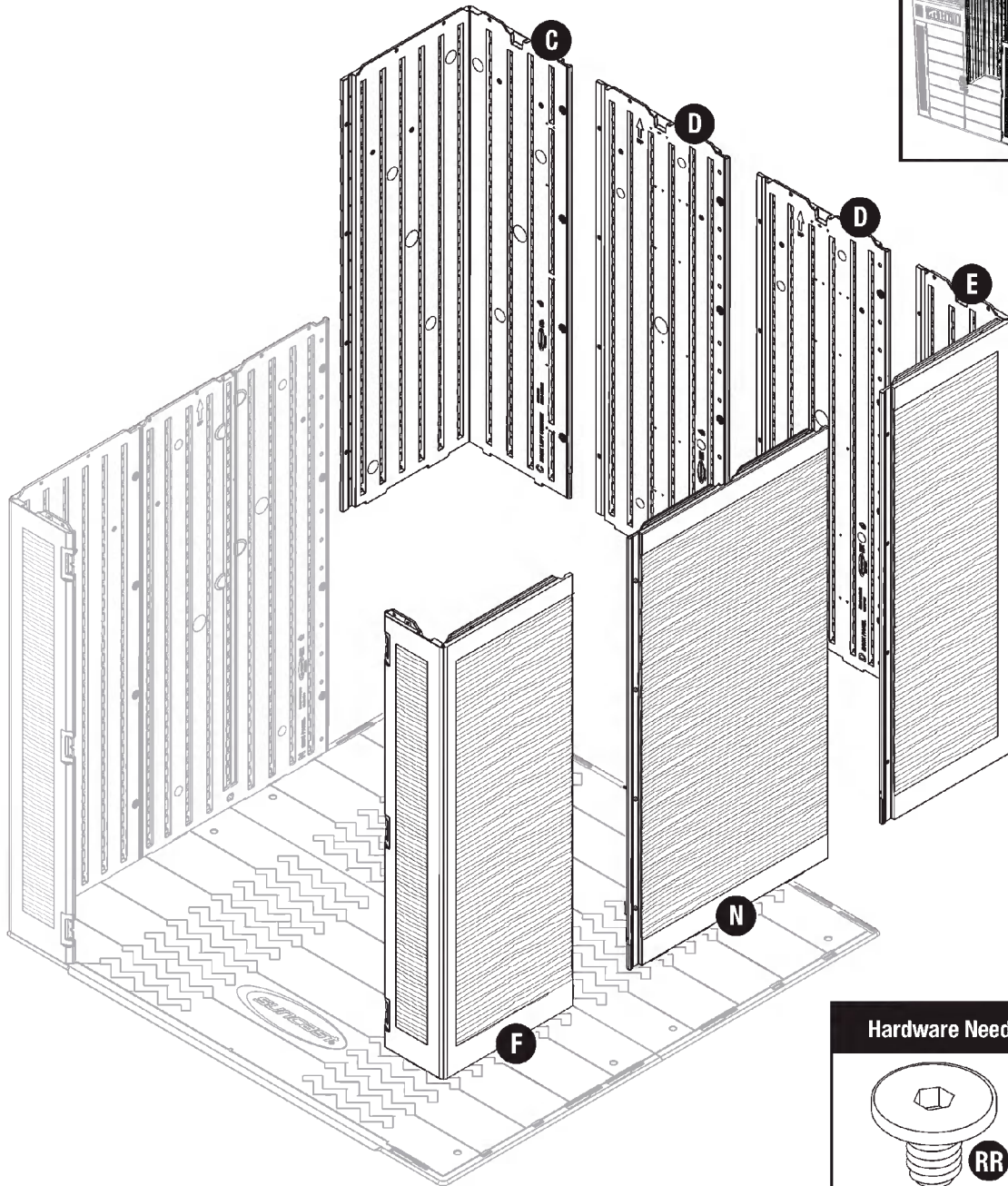


 **TIP:** Have a second person pushing from the outside

Secure side panel with four easy bolts (RR), working from floor to roof. **DO NOT** use torque wrench. Use easy bolt easy driver (SS) and hand tighten. Easy bolt head will be flush when fully seated. **DO NOT** over tighten easy bolts.

Note: You may hear a click when easy bolt has been tightened completely.

14

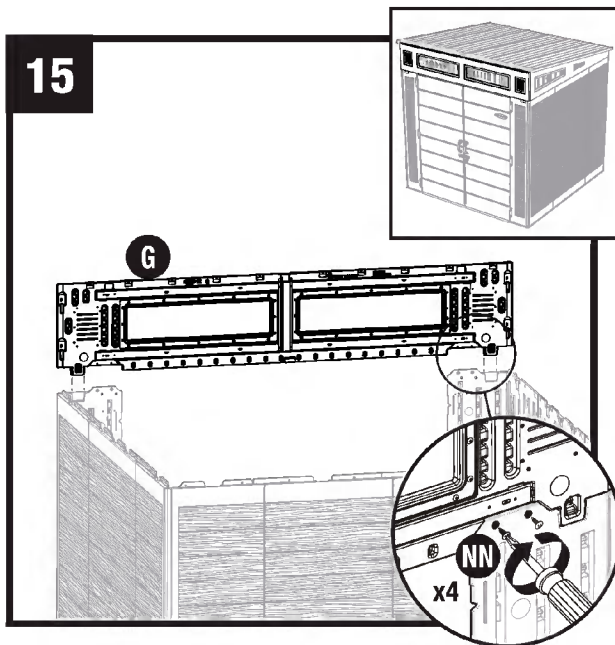


Repeat Steps 8-13 for remaining panels.

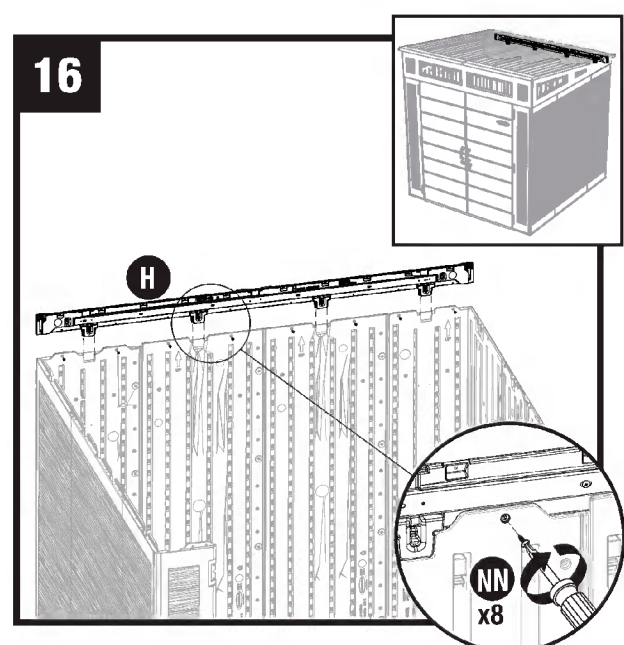
ULINE H-11339

1-800-295-5510

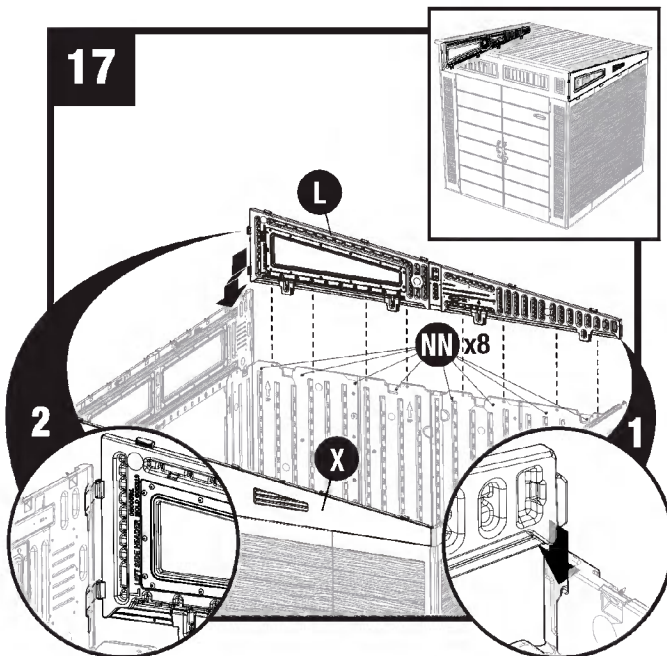
Shed Assembly – Headers



Place Front Header (G) over door opening and fit two protruding support tabs into pockets in front corners. Secure front header with four screws (NN).



Place Rear Header (H) over back wall and fit the four protruding tabs into pockets provided in wall. Secure rear header with eight screws (NN)



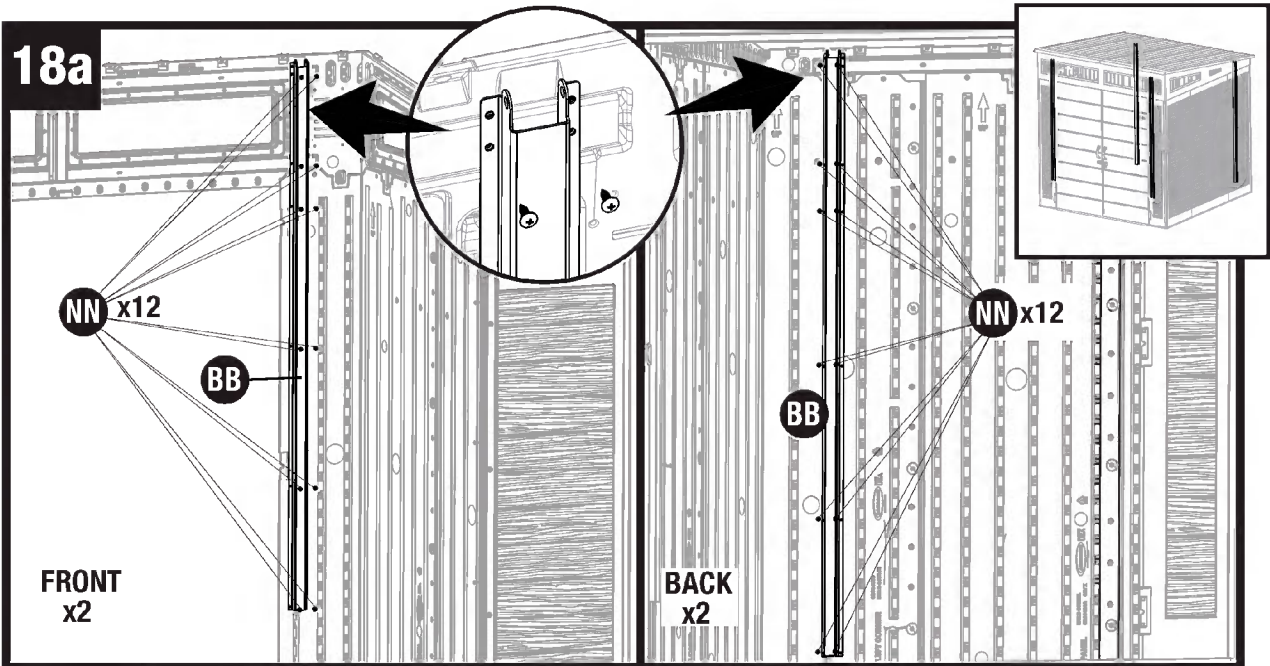
TIP: Have a second person hold wall from inside

Place Left Side Header (L) over left side walls.

Insert the protrusion at the rear corner into the slot in the rear header and press down on the side header to secure in position. Insert the two protrusions at the front of the side header into the slots provided on the end of the front header and press down into slots. Fasten the side header with eight screws (NN).

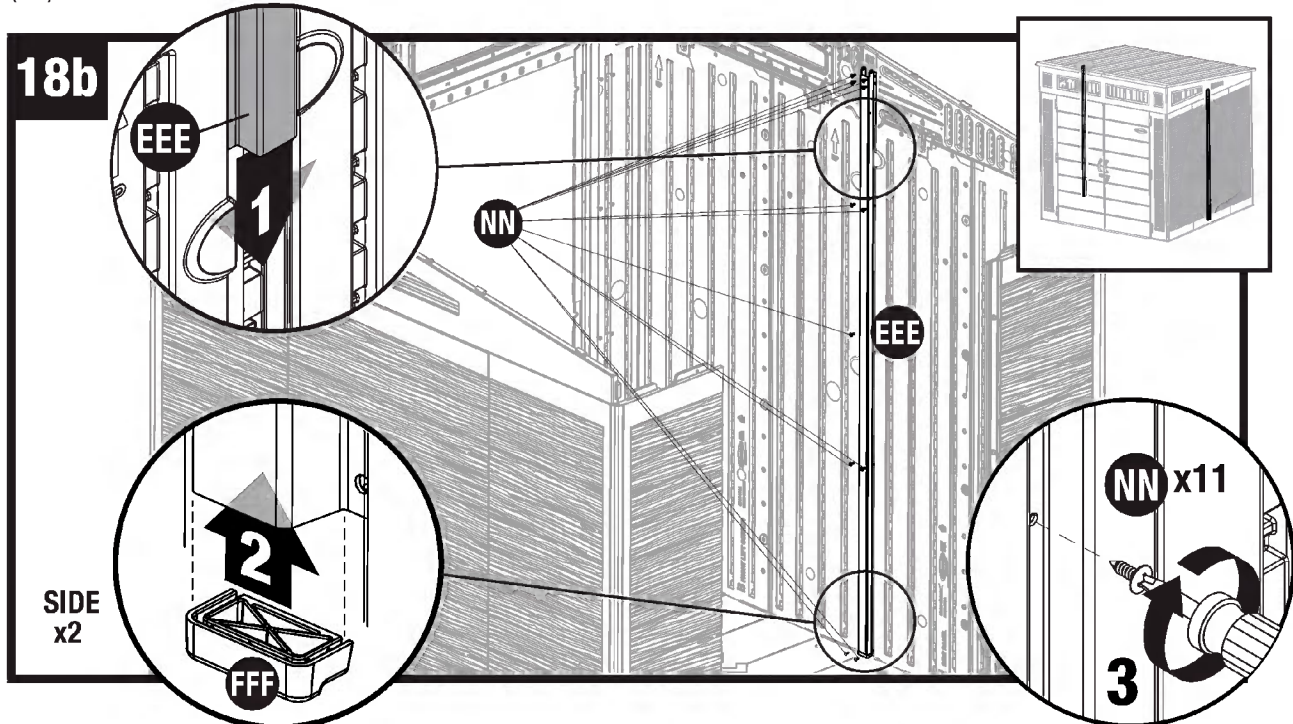
Repeat for Right Side Header (M).

Shed Assembly – Roof Steel



Place one Side Adapter (BB) in position on right side of interior door opening. Secure with 12 screws (NN). Place one side adapter (BB) in position on back corner. Secure with 12 screws (NN).

Note: Critical Orientation of bracket is shown and used in next steps. Repeat steps with the remaining two side adapters (BB) on left side of the shed interior.

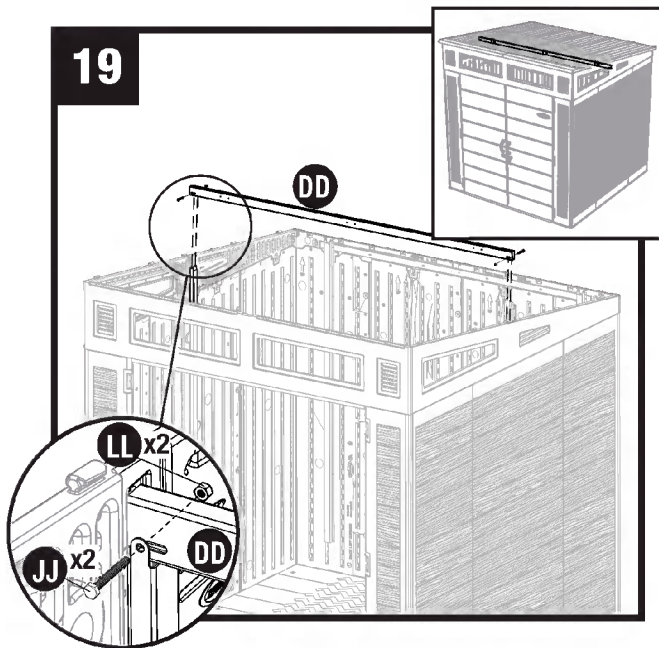


Attach one wall adapter (EEE) to right side wall by sliding it in place from above. Raise the wall adapter slightly to press one adapter cap (FFF) to the bottom of the wall adapter. The capped wall adapter should rest on the floor. Secure with 11 screws (NN). Repeat steps with the remaining wall adapter (EEE) and cap (FFF) on left side of the shed interior.

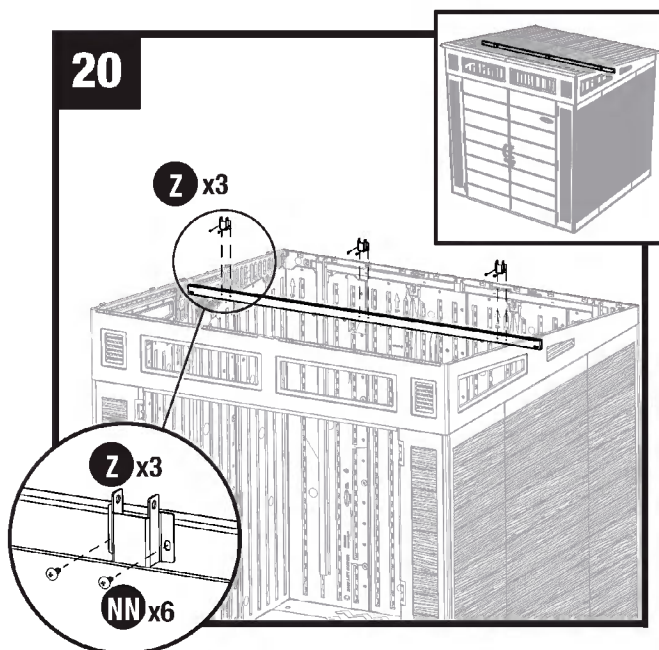
ULINE H-11339

1-800-295-5510

Shed Assembly – Roof Steel/Continued



Place Ridge Beam (DD) into top of the two wall mounted side adapters. Secure with one bolt (JJ) and one nut (LL) at each end of the ridge beam.

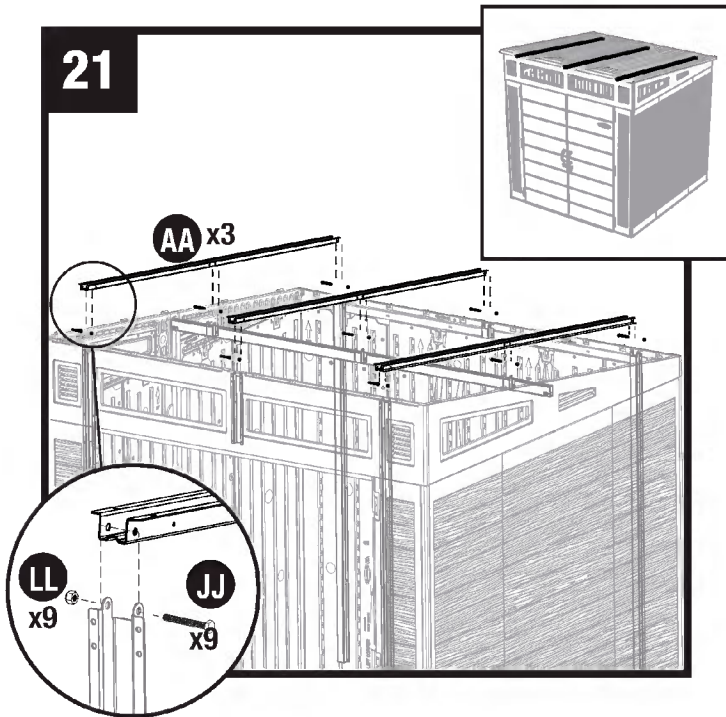


Attach three Support Brackets (Z) to the front of the Ridge Beam (DD) using two screws (NN).

Note: Critical Connection, screws will be difficult to get started in the steel Ridge Beam

Shed Assembly – Roof Steel and Roof Panels

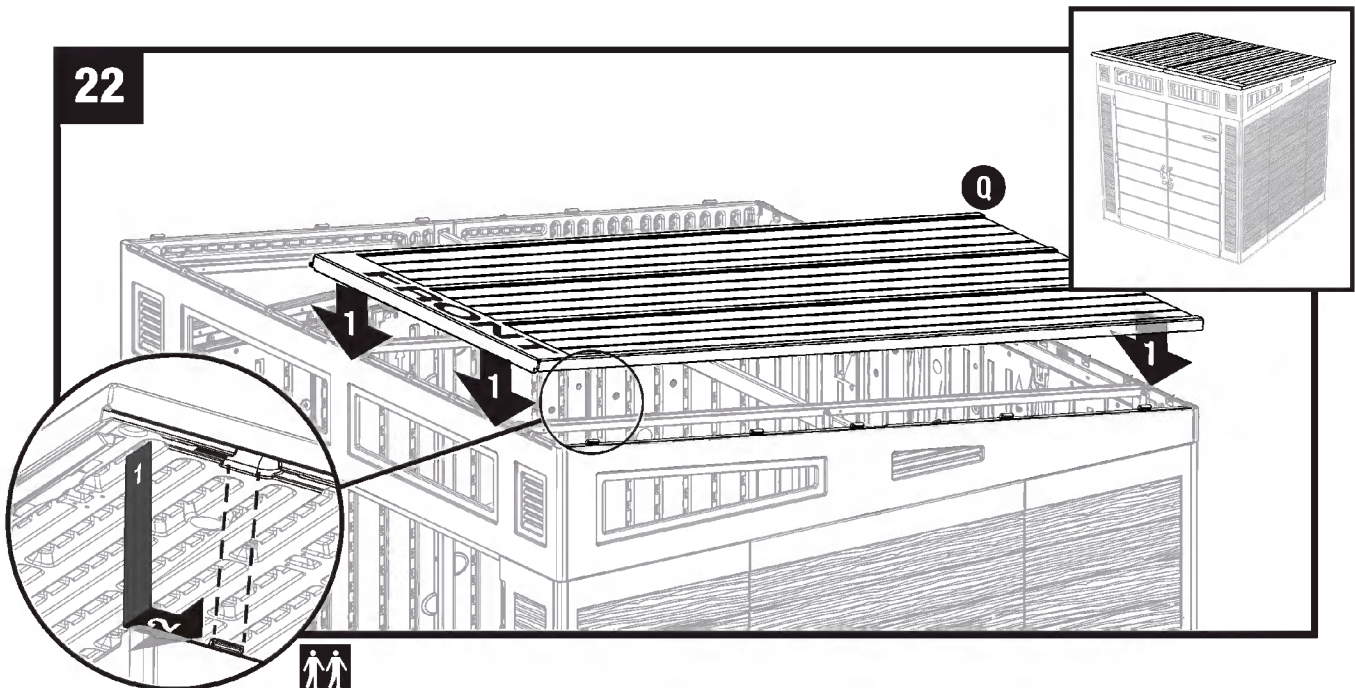
21



Place one Truss Leg (AA) over the side adapters and support bracket on the back wall, ridge beam, and the front header. Secure into the three brackets with bolts (JJ) and Nuts (LL).

Repeat steps for the remaining two truss legs (AA).

22



Line up one Roof Panel (Q) with the right side header so the tabs on the header align with the five slots in the roof panel. Once the panel is engaged, slide the roof toward the back wall to fully engage the attachment features.

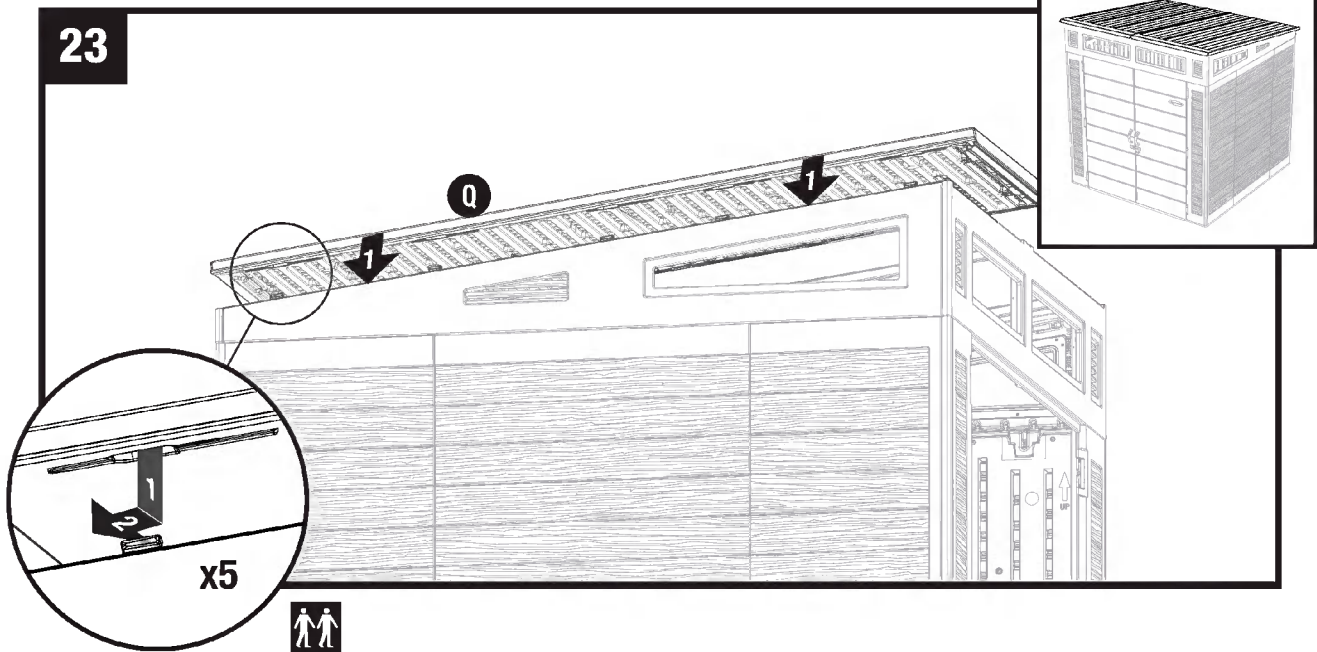
Note: The wide band on the roof panel faces front.

ULINE H-11339

1-800-295-5510

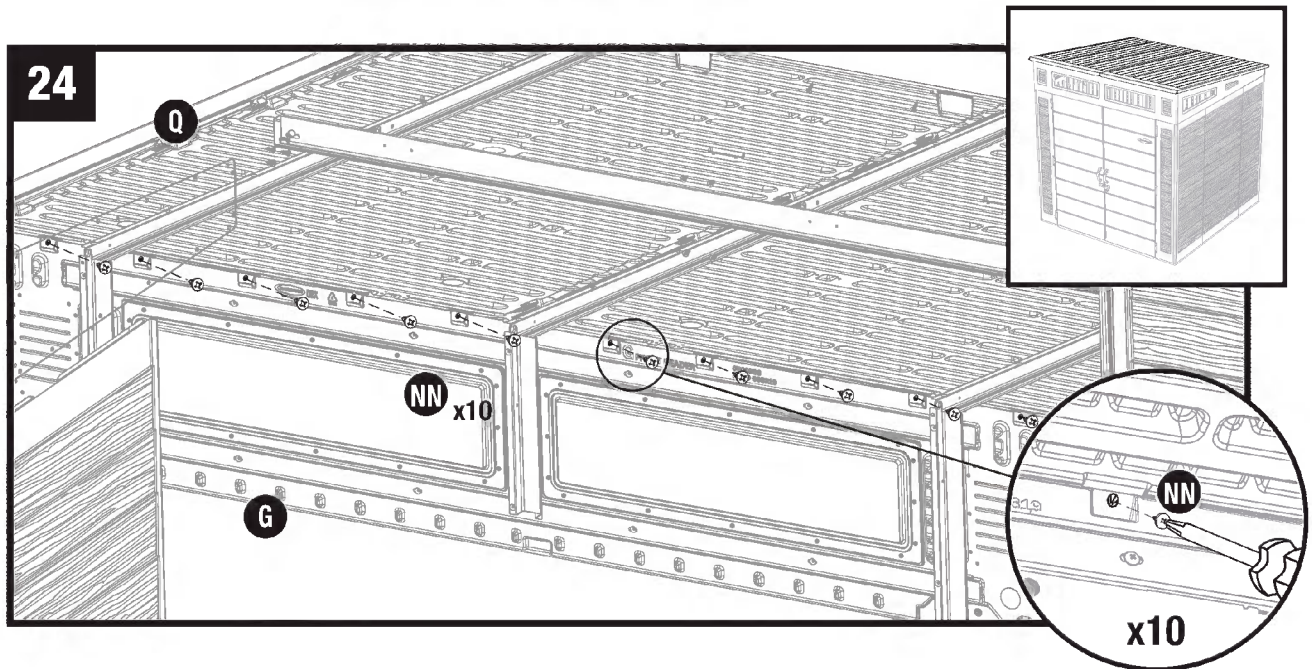
Shed Assembly – Roof Panels

23



Line up the remaining roof panel (Q) on the left side header with header tabs fitting into roof panel slots. Slide the roof panel toward the back wall to fully engage the five attachment features.

24



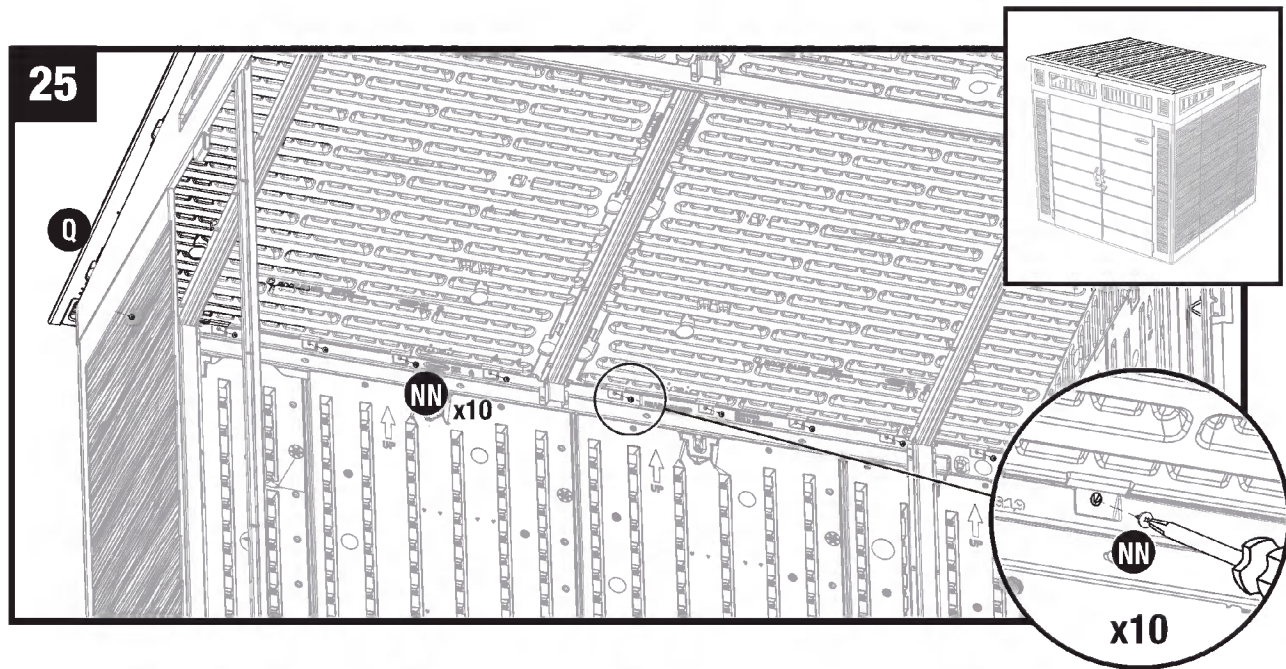
Secure roof panels (Q) to the top of the front header (G) using ten screws (NN).

Note: For clarity, illustration is shown with some parts removed.

ULINE H-11339

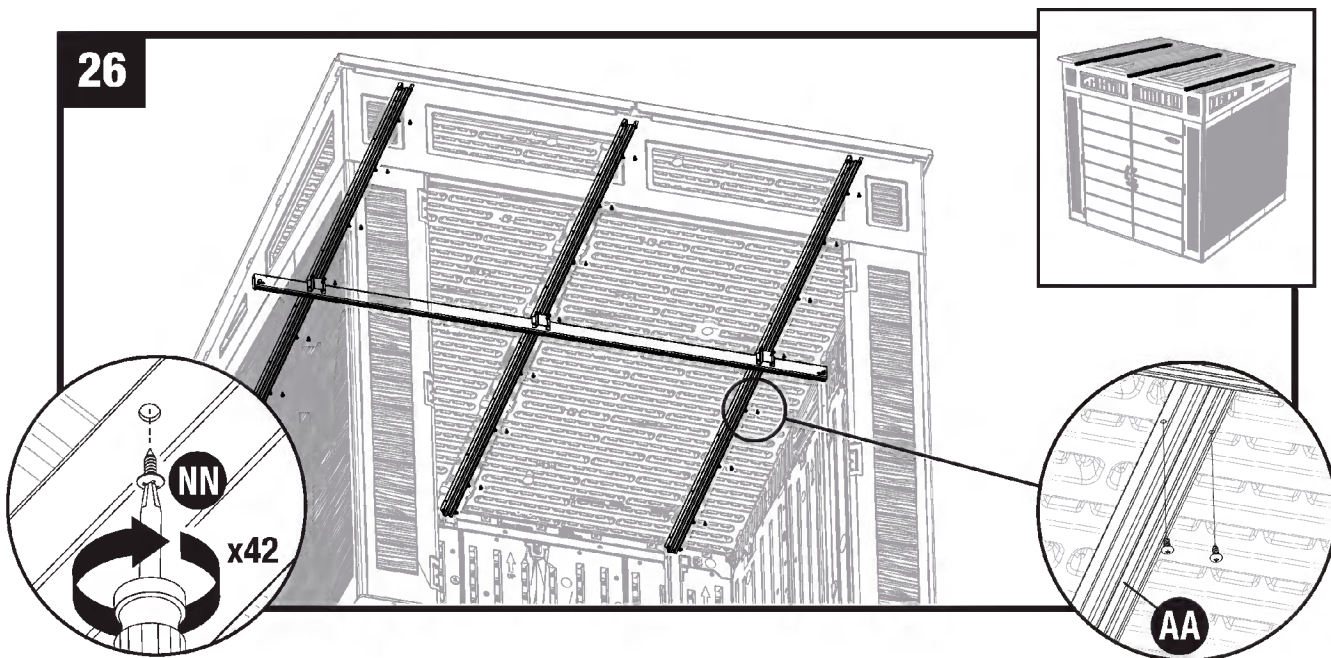
1-800-295-5510

Shed Assembly – Roof Panels/Continued



Secure roof panels (Q) to the top of the back header using ten screws (NN).

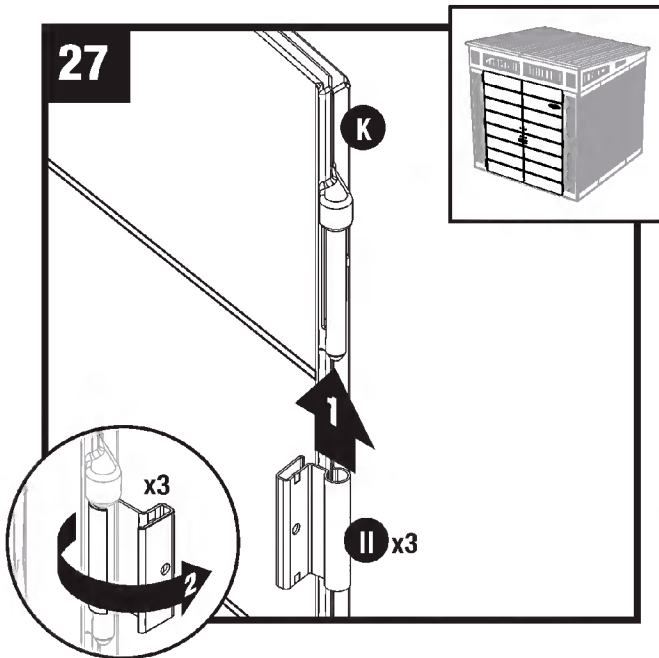
Note: For clarity, illustration is shown with some parts removed.



Each truss leg (AA) is secured to the roof panels (Q) with 16 screws (NN).

Shed Assembly - Doors

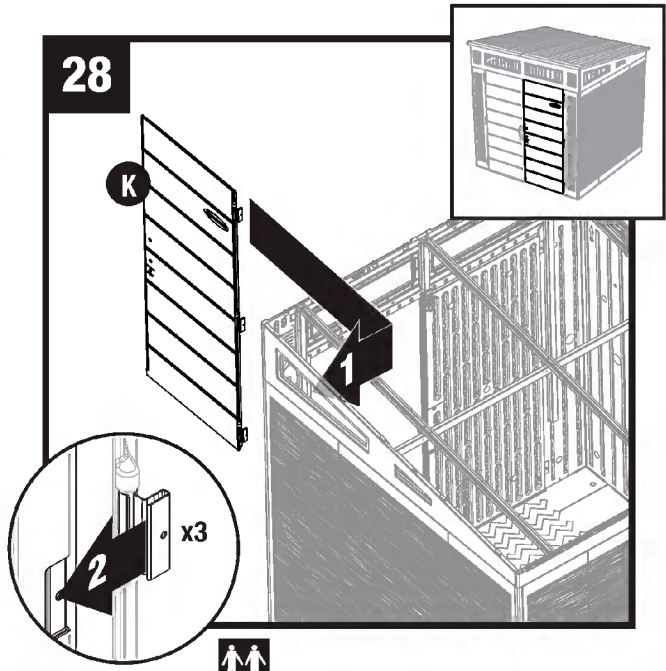
27



Stand right door (K) upright with three hinge mounts facing right. Slide one metal hinge plate (II) up onto each hinge mount. Rotate hinges to outside of door.



28



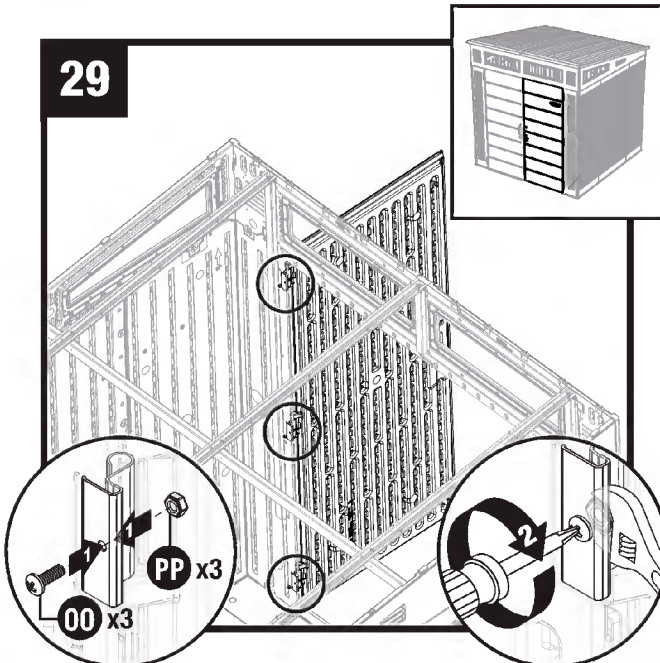
With metal hinge plates in open position, slide one hinge over each hinge receptacle on inside of right front panel.

Note: For clarity, illustration is shown with roof removed.



Note: Use a rubber mallet if necessary.

29

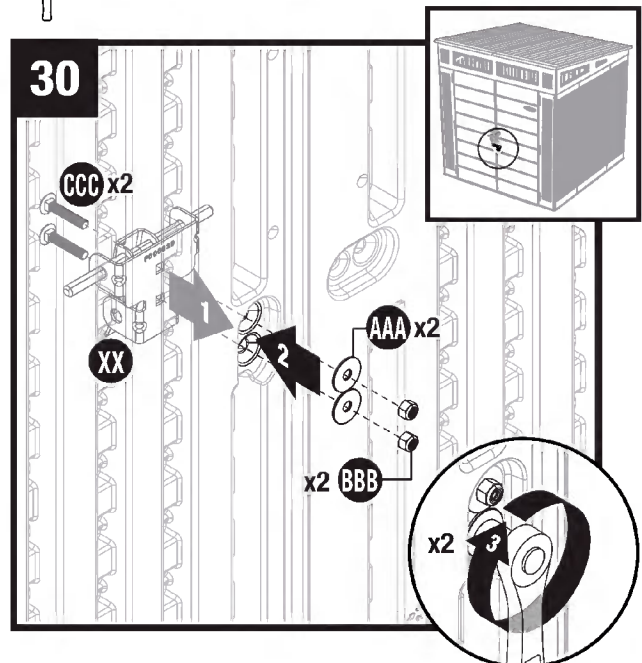


Secure each metal hinge plate with one screw (OO) and one locking nut (PP).

Repeat Steps 27-28 for left door (J).

Note: For clarity, illustration is shown with roof removed.

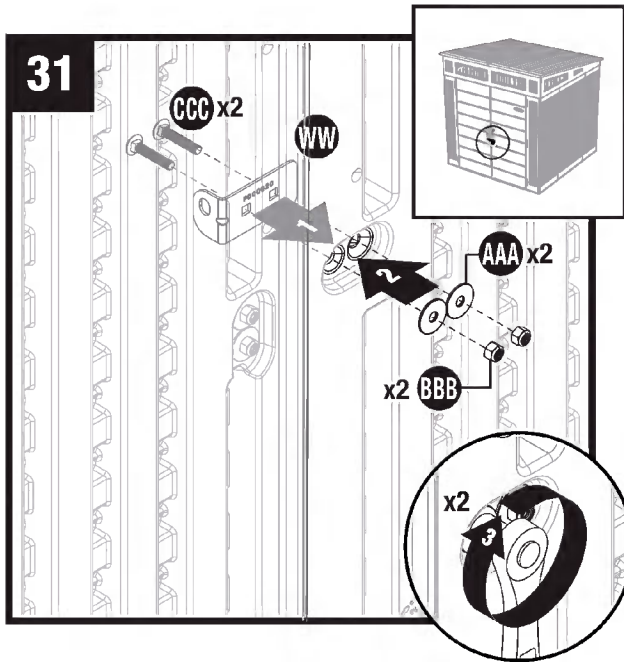
30



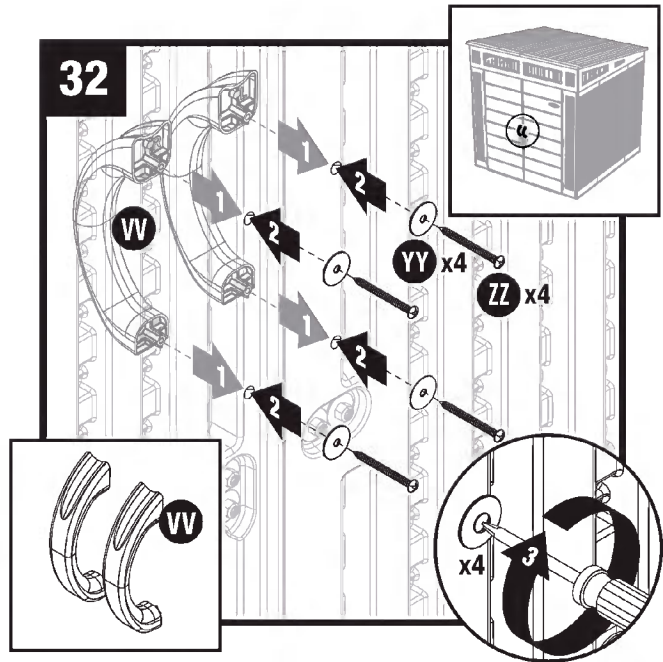
Insert two screws (CCC) into right latch plate (XX) and through right door. While holding plate in place on exterior of door, secure each screw with two washers (AAA) and two locking nuts (BBB). -DO NOT OVERTIGHTEN-

ULINE H-11339

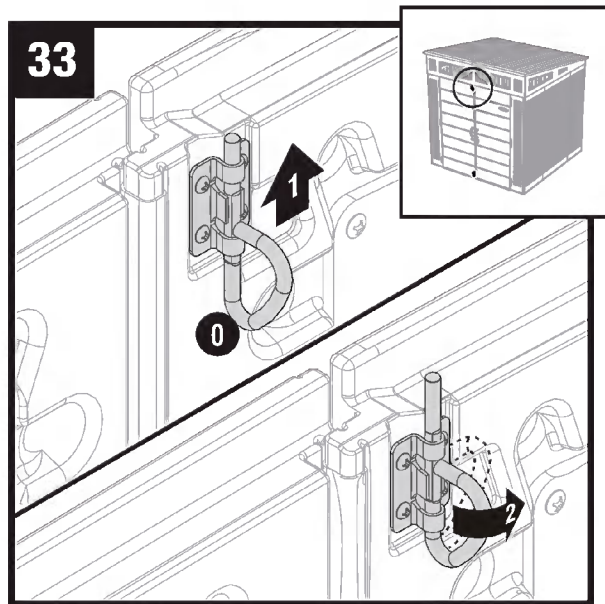
Shed Assembly – Doors/Continued



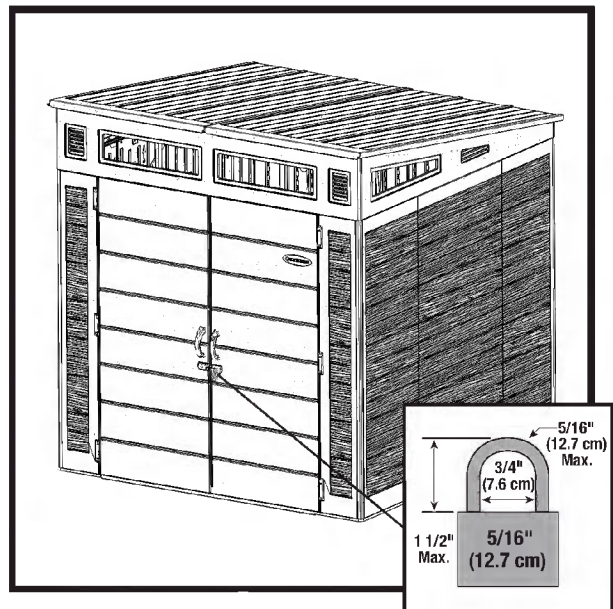
Insert screws (CCC) into left latch plate (WW) and through left door. While holding plate in place on exterior of door, secure each screw with two washers (AAA) and two locking nuts (BBB). -DO NOT OVERTIGHTEN-



From the outside of doors, insert door handle (VV) stems into holes of left and right doors. On inside of doors, place washers (YY) on each door handle stem, and secure each with one screw (ZZ). -DO NOT OVERTIGHTEN-



Lift upper D-ring (O) up to engage in front of header. Turn D-ring to right for locked position. Repeat with lower D-Ring (O).



Attach a 5/16" lock (not provided) to door latch to properly secure shed.



ULINE H-11339

1-800-295-5510