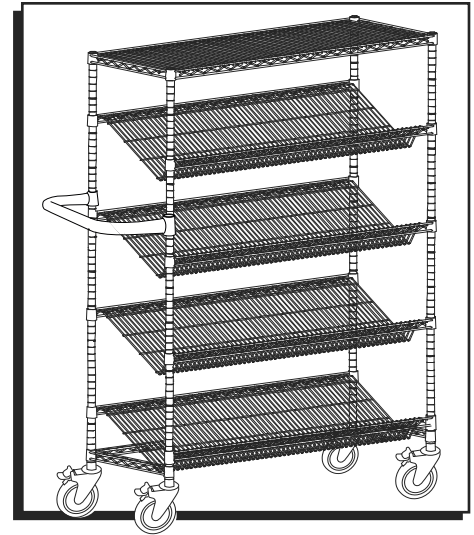


ULINE H-11752, H-11753 WIRE PICKING CART

1-800-295-5510
uline.com

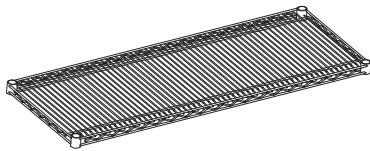


TOOL NEEDED

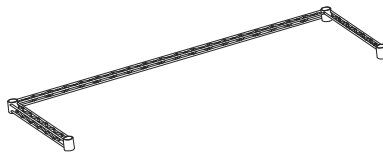


Rubber Mallet

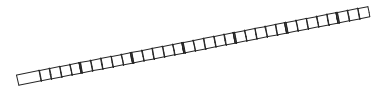
PARTS



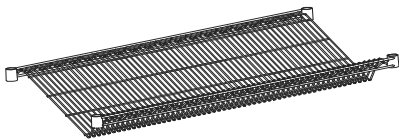
Flat Shelf x 1



U-Frame x 1



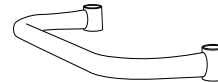
Post x 4



Slanted Shelf x 4



Caster x 4



Push Handle x 1



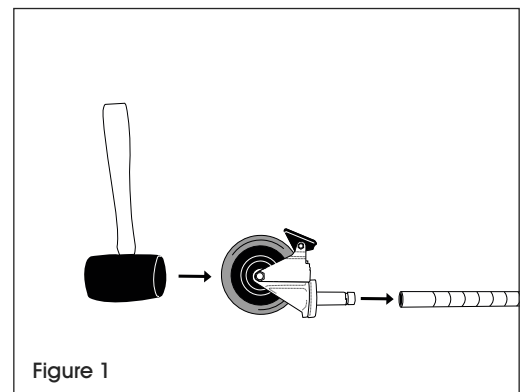
Shelf Support x 26 Sets

CASTER INSTALLATION

TO INSTALL CASTERS

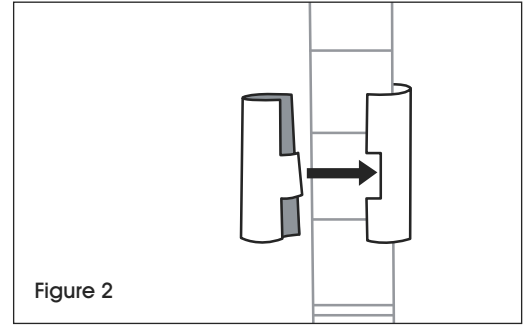
 **NOTE:** Do not install self-levelers when installing casters.

1. Make sure post is positioned as shown. (See Figure 1)
2. Engage the wheel brakes to keep casters from rolling during assembly. Use a rubber mallet to tap caster stem into posts. (See Figure 1)

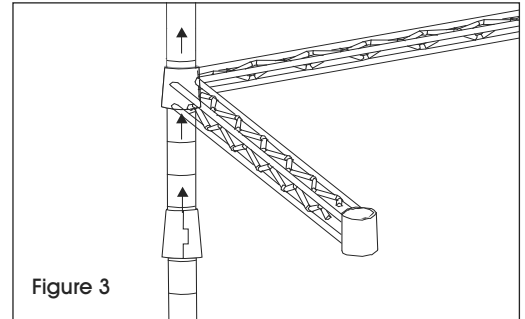


UNIT ASSEMBLY

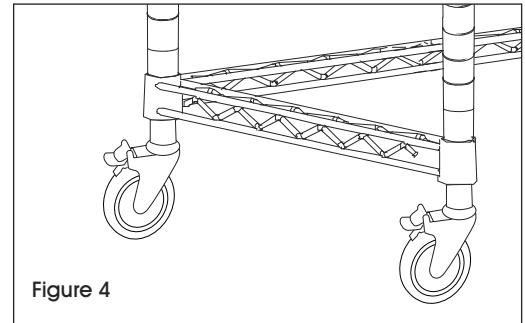
1. Start with U-Frame. Snap the interlocking pieces of a shelf support (wide end down) around the post at the lowest groove where the U-Frame will be located. Slide the support up or down until it snaps into the groove. Add a shelf support to the same place on the remaining posts. (See Figure 2)



2. Slide post through underside of U-Frame until U-Frame slides firmly over supports. Repeat for remaining posts. (See Figure 3)

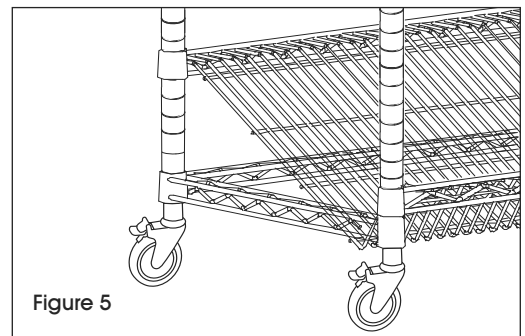


3. Stand unit upright. Gently tap U-Frame down to secure it. Make sure all sides are level. (See Figure 4)

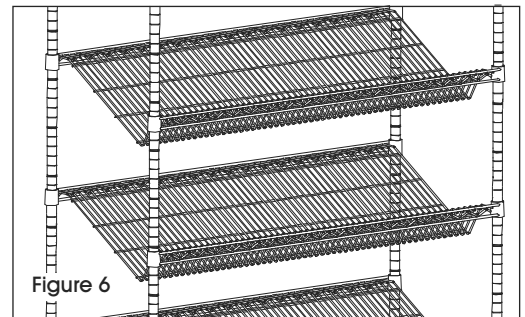


4. Install first slanted shelf directly above the U-Frame. The back shelf supports should be five grooves above the front shelf supports. Add shelf supports and secure the slanted shelf. (See Figure 5)

 **NOTE:** NSF requires food service applications to keep the lowest shelf at least 6" above the floor.



5. Add the next two slanted shelves. For evenly spaced shelves, it is recommended to space slanted shelves with 12 grooves between one another. (See Figure 6)

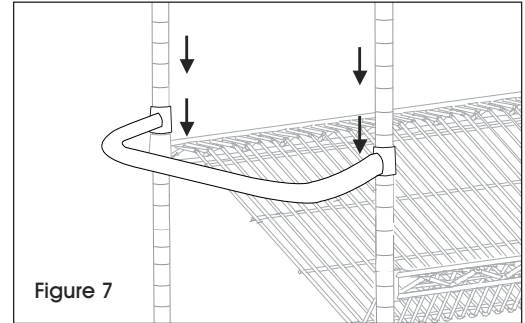


UNIT ASSEMBLY CONTINUED

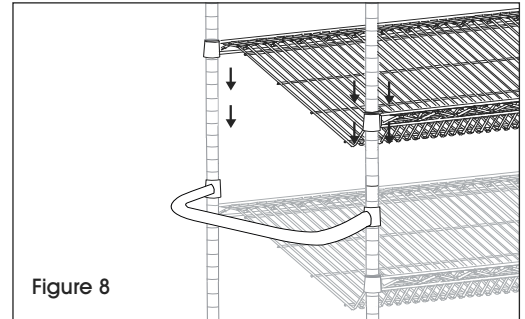
- To install the push handle, snap shelf supports directly above the back of the third shelf. Add and secure handle. (See Figure 7)



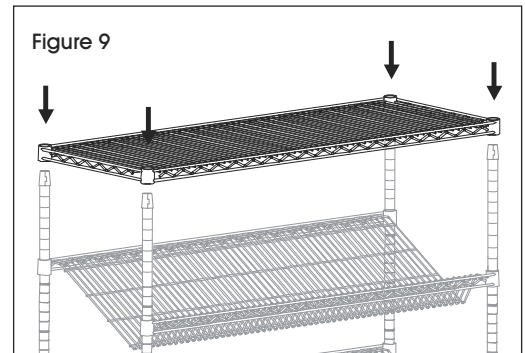
NOTE: This is the recommended height for the handle, but it can be placed anywhere on the cart.



- Add the final slanted shelf. Snap the shelf supports 12 grooves up from the front of the third slanted shelf. (See Figure 8)



- Using shelf supports, secure top shelf to the very top of posts. (See Figure 9)



ULINE

1-800-295-5510
uline.com