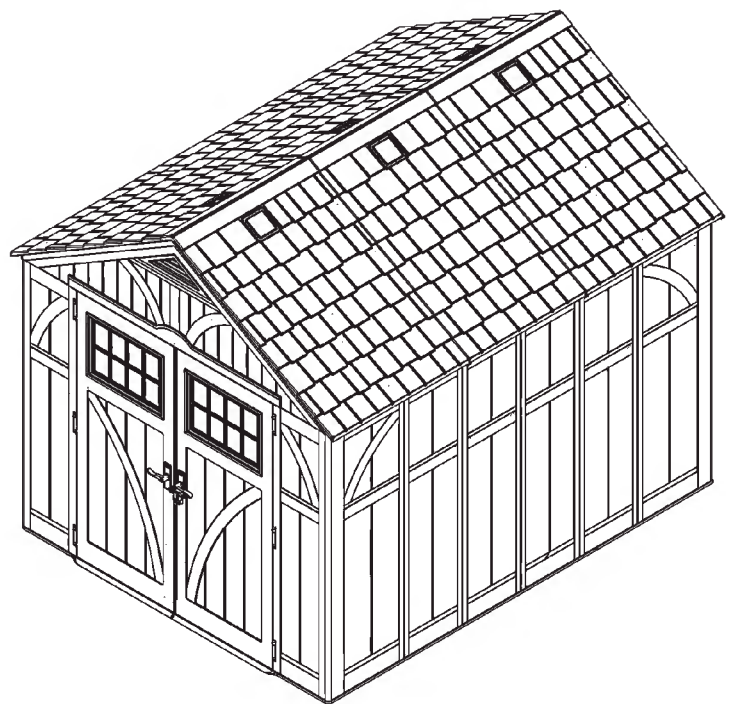
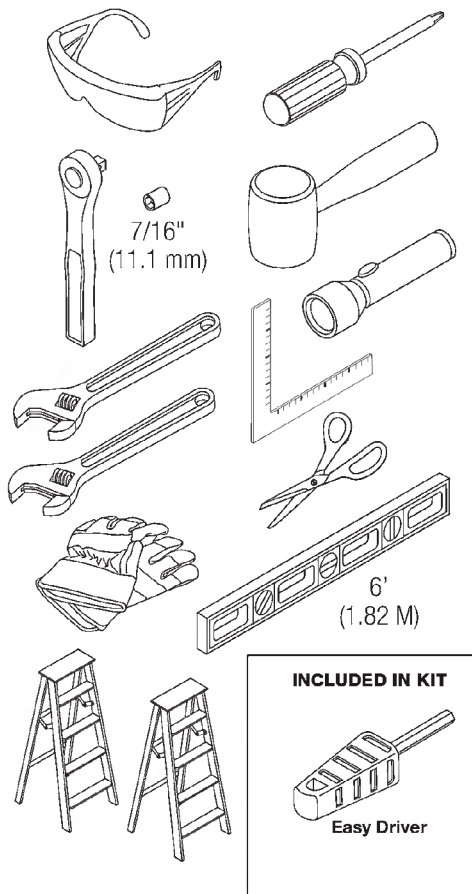


BMS8100/BMS8125

Blow Molded Resin Storage Shed

ASSEMBLY INSTRUCTIONS

Tools Required



Scan QR Code for product assembly video.

Assistance is required
during entire assembly.



SUNCAST

Built for Everyday Life™

© 2024 Suncast Corporation, Batavia, IL

0361334K

ULINE H-11825

1-800-295-5510

Thank you for purchasing this Suncast® product.

Register within 90 days of purchase to activate Warranty!

Registration is not required for products with a warranty term of 90 days or less.

1. Verify warranty term of your product by visiting [www/suncast.com/warranty](http://www.suncast.com/warranty) (products with a warranty term of 90 days or less do not require registration)
2. Complete registration: fill out the form and upload a copy of your receipt by visiting <https://support.suncast.com> or scanning the QR code



Have Questions?

For product questions, assembly assistance, replacement parts and more:



<https://support.suncast.com>



Suncast Corporation Customer Care
701 N. Kirk Road, Batavia, IL 60510



1-800-846-2345
1-630-381-6309

ULINE H-11825

1-800-295-5510



Before you Begin...

- **Consult your local authorities for any permits required to construct shed.**

Prior to the construction of your shed, check with the local building code official to review any required permits or building limitations.

- **A level and sturdy foundation is required before shed construction can begin.**

Site preparation information is available later in this manual. A foundation that differs from the specifications within this manual could prevent proper assembly and may damage parts.

- **Read instructions thoroughly prior to assembly.**

This kit contains parts that can be damaged if assembled incorrectly or in the wrong sequence.

- **Please follow instructions.**

Suncast is not responsible for replacing parts lost or damaged due to incorrect assembly.



Assistance is required during entire assembly.

IMPORTANT

IF FOUNDATION IS REQUIRED, COMPLETE SITE PREPARATION AND FOUNDATION CONSTRUCTION BEFORE UNPACKING ALL PARTS.

OPEN ALL BOXES FIRST AND NEATLY LAYOUT PARTS. SMALL PARTS MAY BE CONTAINED IN EACH BOX. PLEASE REFERENCE THE PARTS LIST WITHIN THIS MANUAL TO VERIFY ALL PARTS ARE PRESENT.



Caution

- Proper site preparation is required.
- Shed not intended for storage of flammable, caustic or corrosive materials.
- Shed not intended for habitation or for use by children.
- **DO NOT** stand, sit, or store items on the storage shed roof.
- **DO NOT** place near objects that are hot or can become hot.
- Heavy articles should not be leaned against the walls, as this may cause panel distortion and permanent damage.
- Suncast is not responsible for damage caused by weather or misuse.
- This kit contains parts with sharp edges. Please be careful when handling, use of work gloves is recommended.
- **DO NOT** place in areas near highly reflective surfaces (Note: Low-E windows are more reflective than standard windows and may affect the longevity of the product).
- Product is water resistant and now waterproof. Locate unit away from gutter and down spouts for optimal performance.



Care & Maintenance

- At regular intervals, inspect your shed to make sure that assembly integrity has been maintained. **Repair or replace broken parts immediately.**
- Periodically check that the location you have chosen to set your shed is still level.
- Keep roof clean of snow and leaves.
- To maintain the look of your product, we recommend cleaning it at regular intervals with mild soap and water. **DO NOT** use bleach, ammonia, or other caustic cleaners, and **DO NOT** use stiff bristle brushes. Failure to perform cleaning at regular intervals could result in permanent staining of the plastic. This type of damage is not covered under warranty.



Assembly Day Tips

- **DO NOT** attempt to assemble on a day with strong winds.
- Set aside appropriate amount of time to completely assemble shed. An incomplete shed assembly may pose a safety hazard.
- Make sure you have assistance nearby to lift and secure parts in place.
- **DO NOT** use a torque wrench or hand drill to tighten Easy bolts. Use provided Easy Bolt Driver **ONLY**.
- Suncoast provides extra hardware for small fasteners for customer convenience. In some cases, there will be extra small fasteners once the assembly is complete.

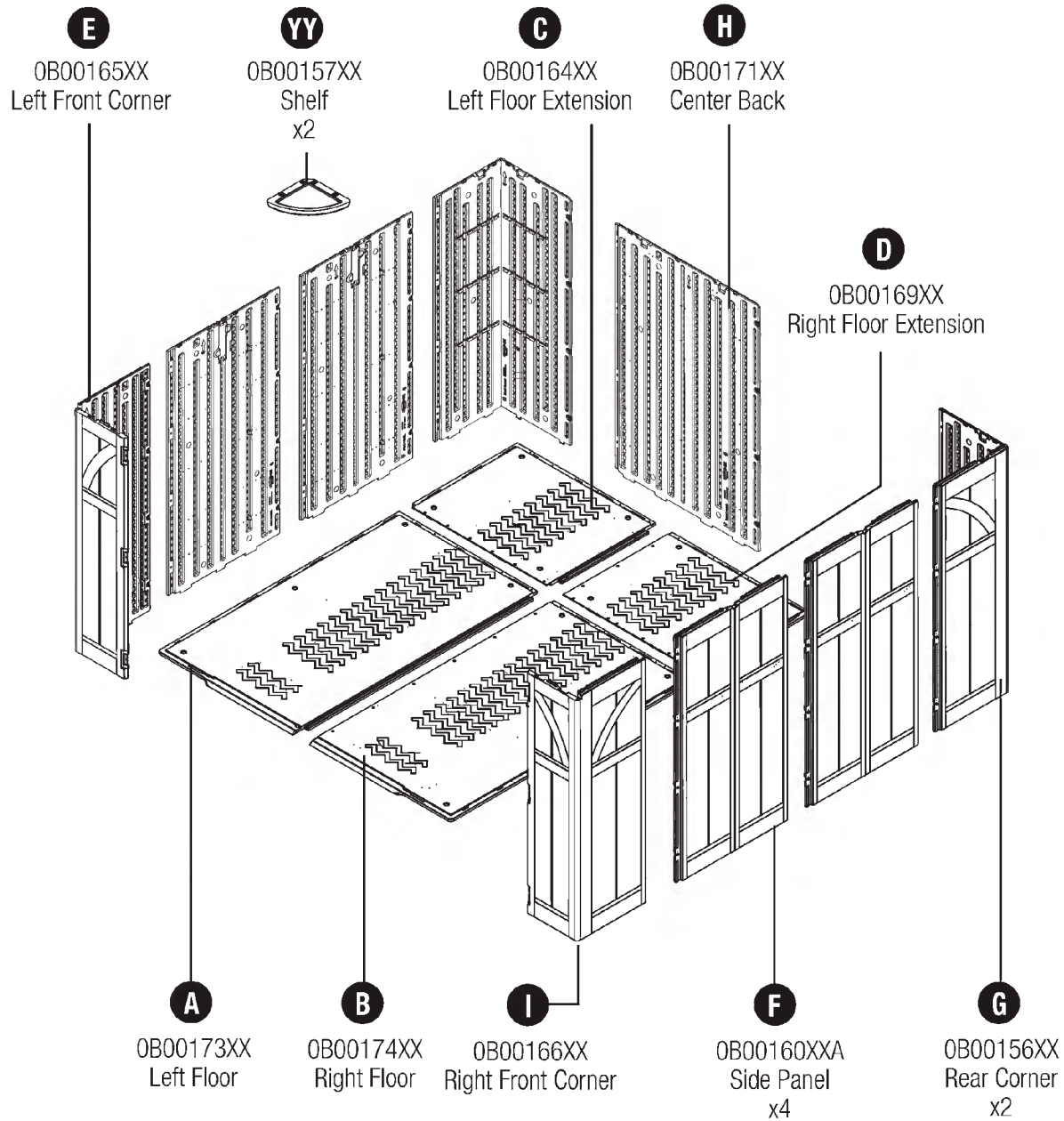
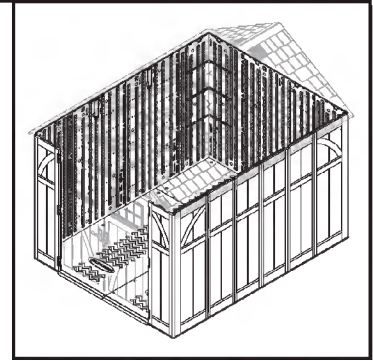
Note: *This product contains parts that are used in different orientations to construct the shed. Please take note of the orientation of the parts shown throughout this instruction manual. Failure to follow instructions could result in damage to parts. Suncoast is not responsible for replacing parts lost or damaged due to incorrect assembly.*

Parts- Walls and Floors

IMPORTANT

OPEN ALL BOXES FIRST AND NEATLY LAYOUT PARTS. SMALL PARTS MAY BE CONTAINED IN EACH BOX. PLEASE REFERENCE THE PARTS LIST WITHIN THIS MANUAL TO VERIFY ALL PARTS ARE PRESENT.

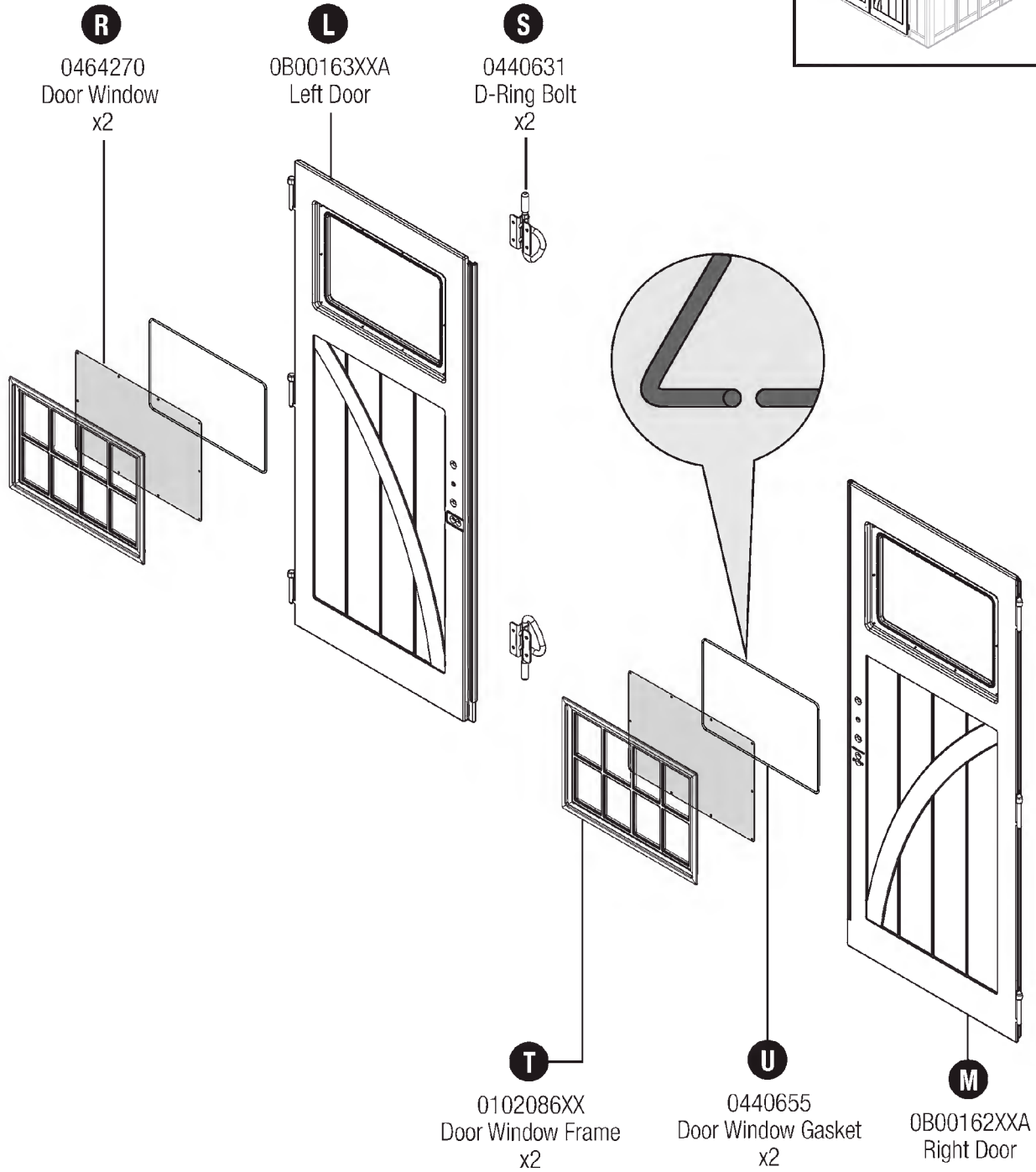
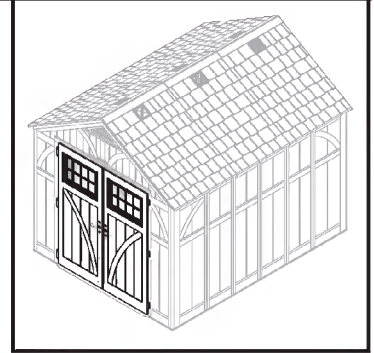
COMPLETE SITE PREPARATION AND FOUNDATION CONSTRUCTION BEFORE UNPACKING ALL PARTS.



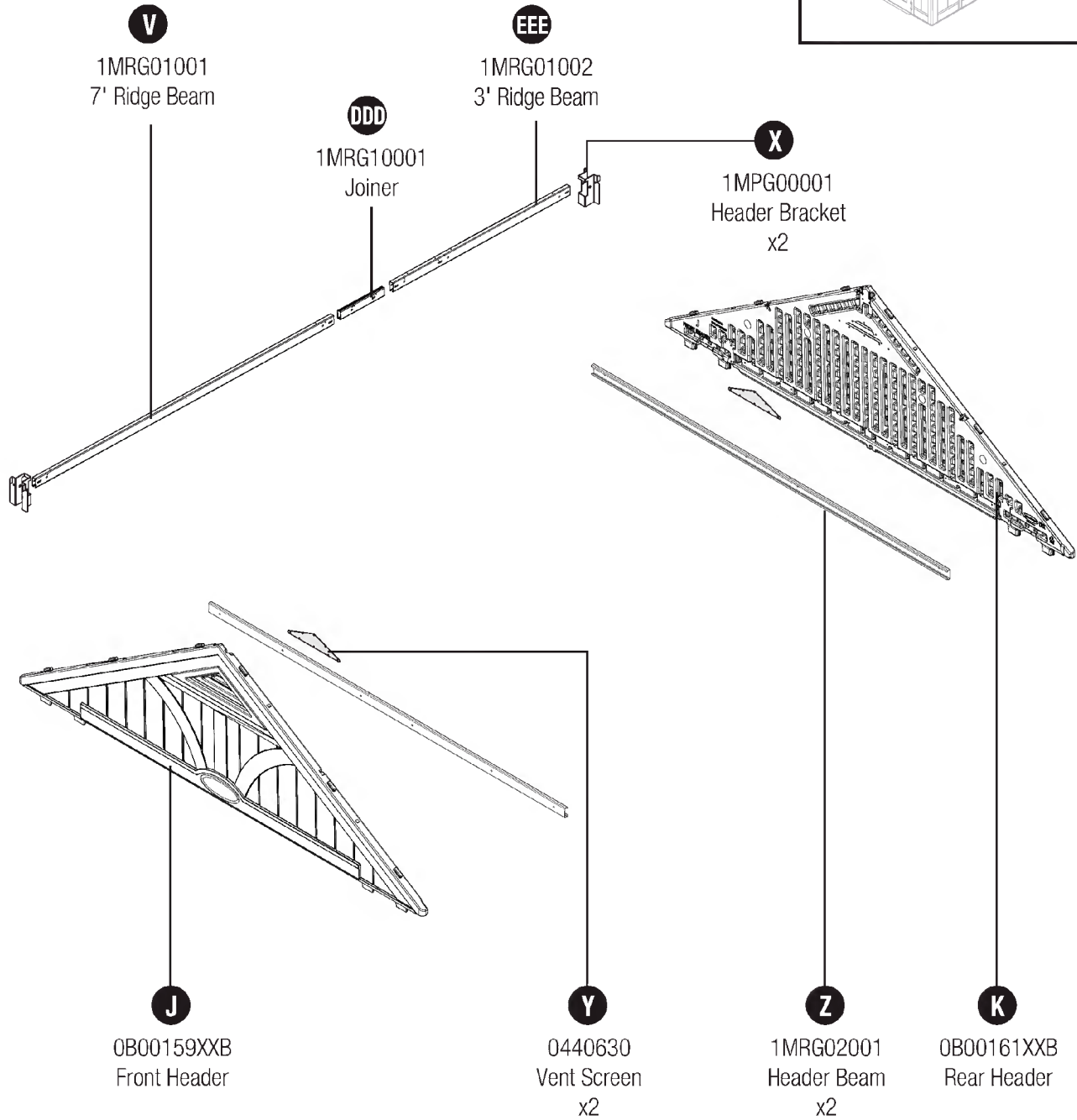
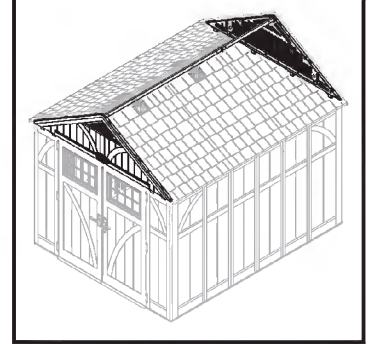
ULINE H-11825

1-800-295-5510

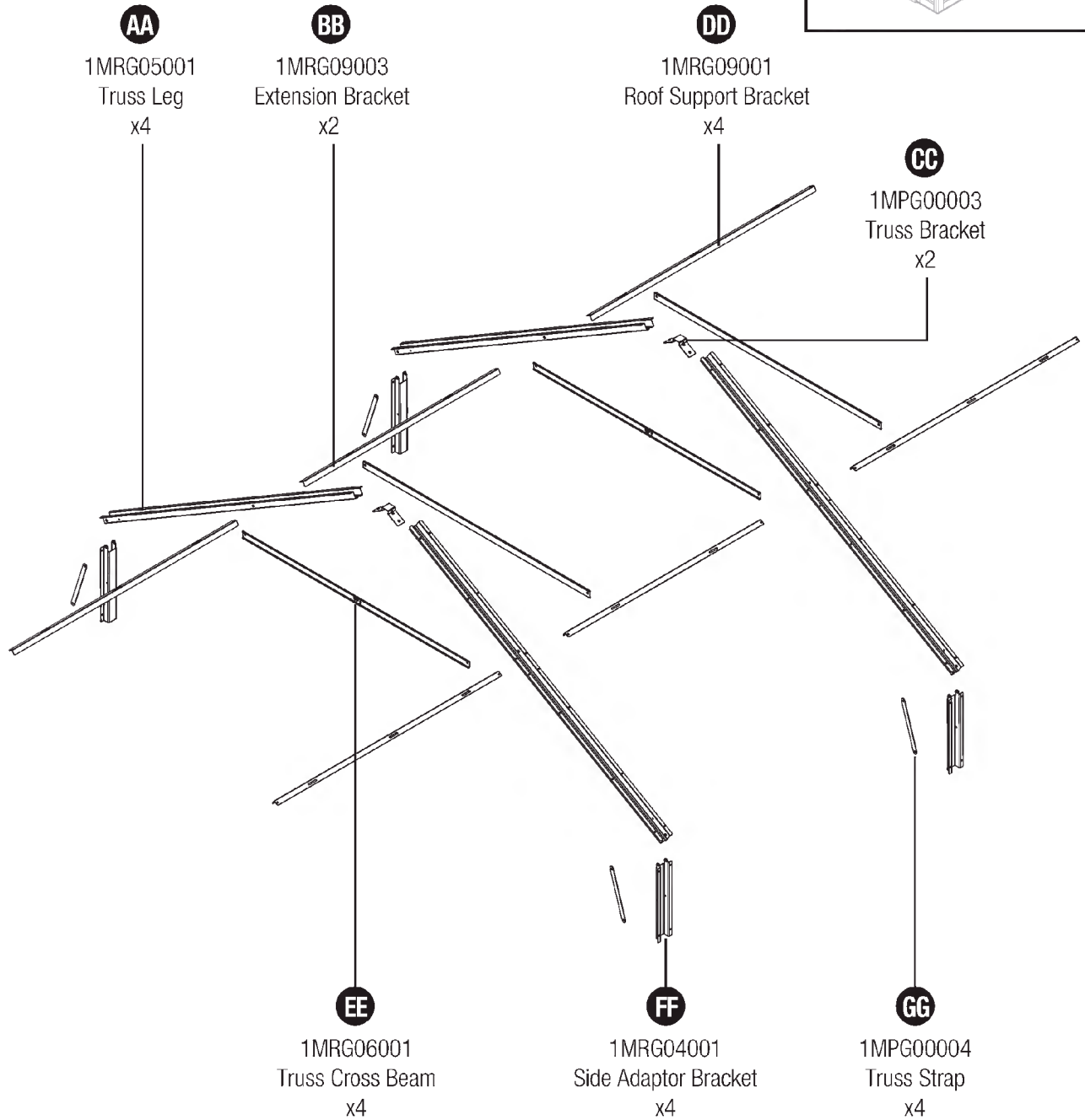
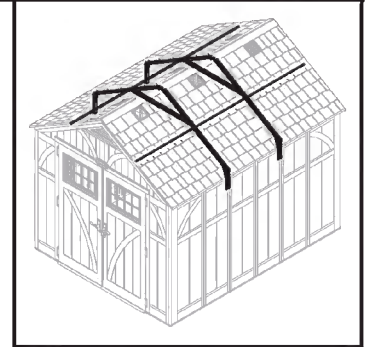
Parts - Doors



Parts - Headers



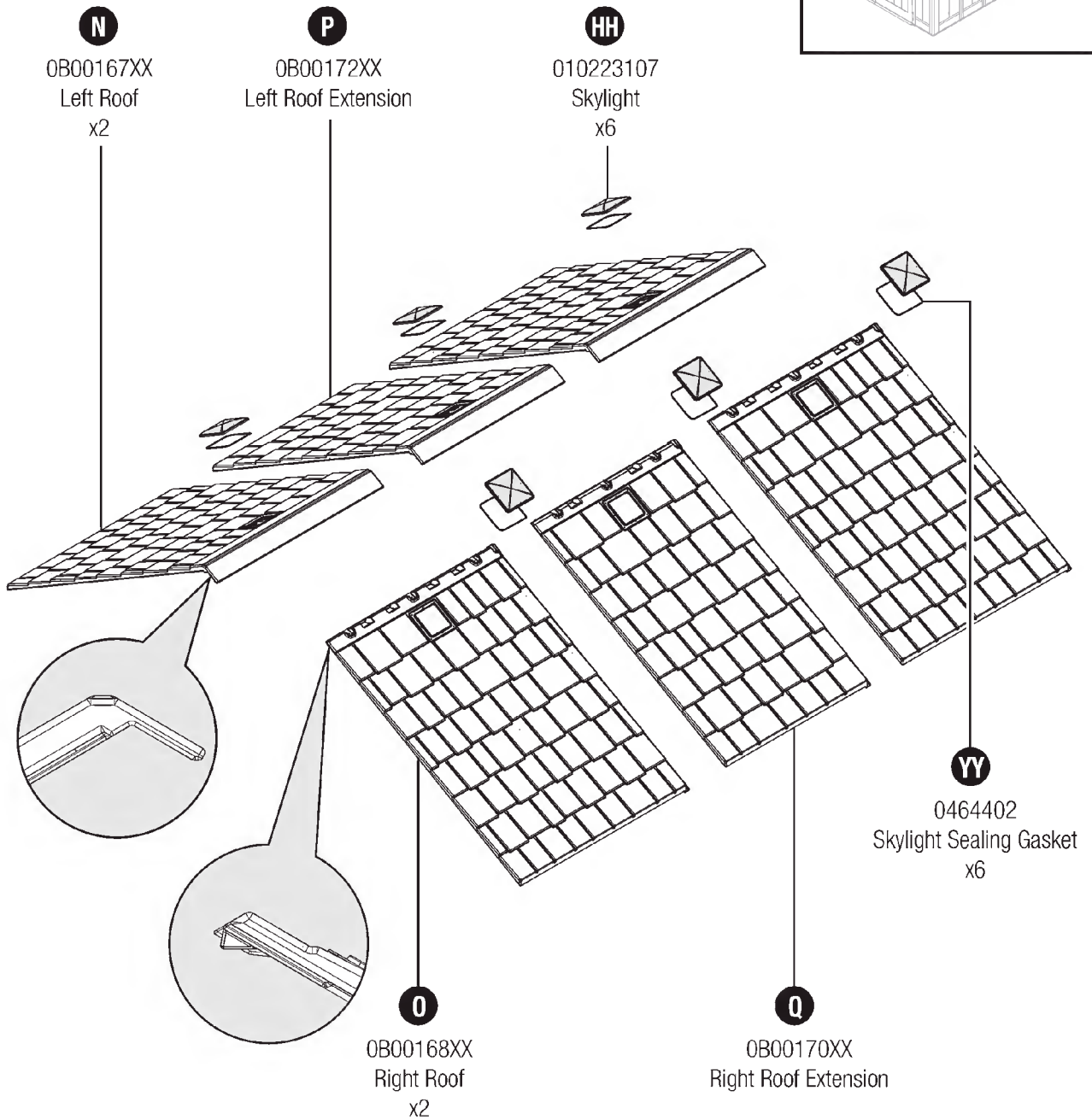
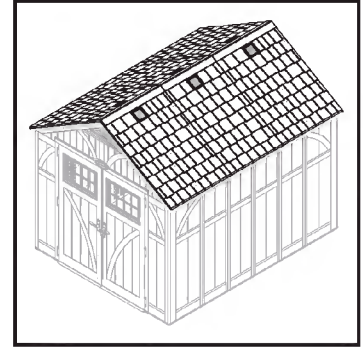
Parts - Truss



ULINE H-11825

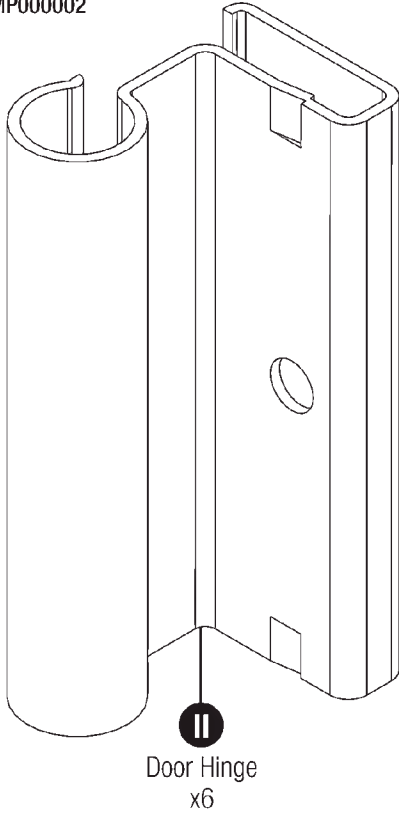
1-800-295-5510

Parts - Roof

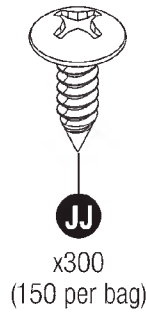


Parts - Hardware

OMP000002



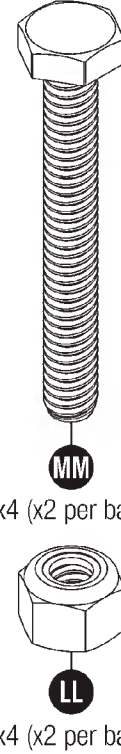
0480290A (x2) –
Hardware Bag



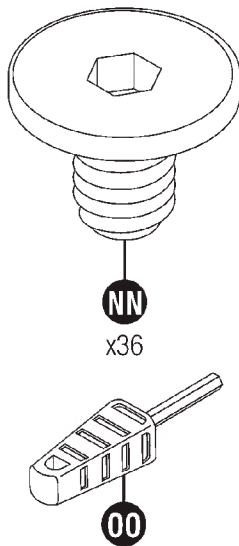
0480336 –
Hardware Bag



0480374 (x2) –
Hardware Bag



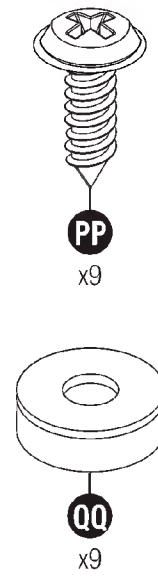
Easy Bolt/Easy Driver
Hardware Bag



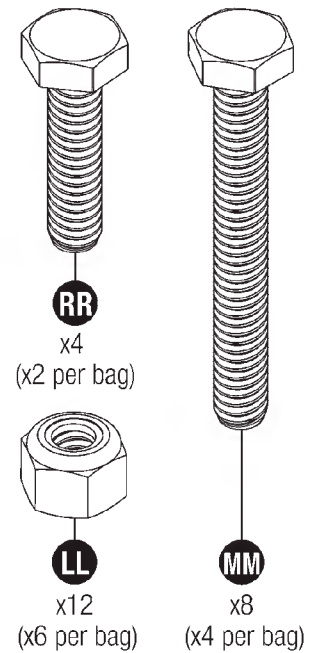
0480337 –
Hardware Bag



0480338 –
Hardware Bag



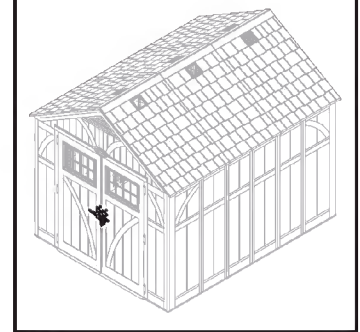
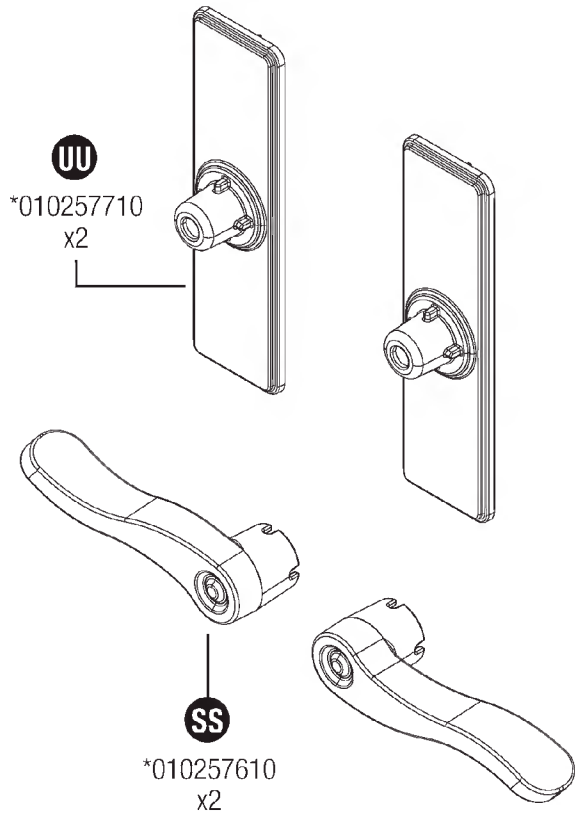
0480340 (x2) – Hardware Bag



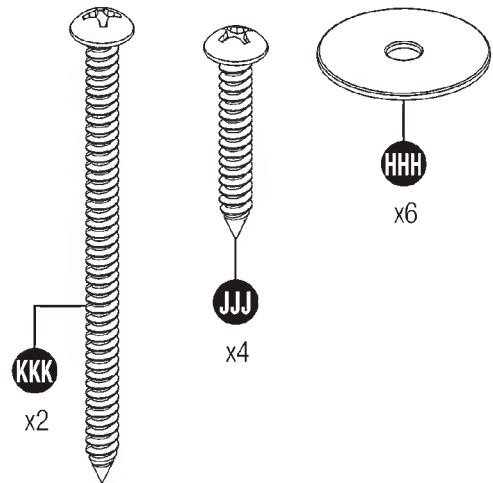
Hardware shown at actual size (*Unless otherwise noted.) Extra hardware provided. Not all are used.

Parts - Door Handle and Door Latch Kits

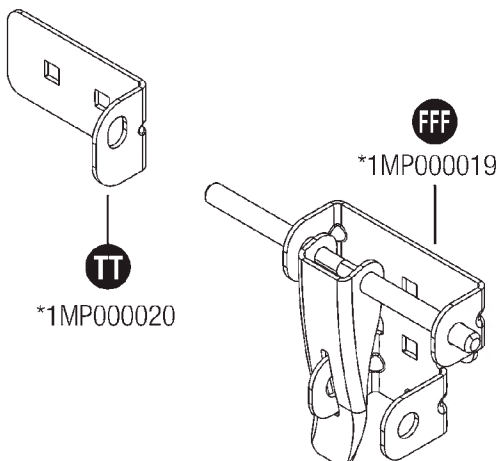
0464240 – Door Handle Kit



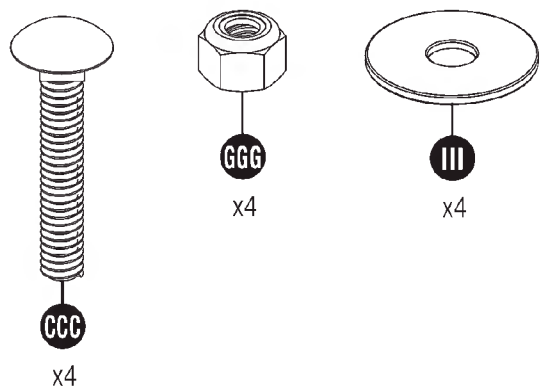
0480505 – Hardware Bag



0463797 – Door Latch Kit



0480439A – Hardware Bag



Hardware shown at actual size (*Unless otherwise noted.) Extra hardware provided. Not all are used.

Site Preparation and Platform Construction

Materials **NOT** supplied with Shed Kit

Important:

- Site preparation is required for this shed. Placing the shed on a properly constructed, square, flat and level foundation, as described below, is required. Without a properly constructed, square, flat and level foundation, settling will eventually occur, causing distortion and damage to the shed. Suncoast is not responsible for replacing parts damaged or property lost due to incorrect foundation construction. Warranty requires a properly constructed foundation as described below.
- Complete the site preparation and foundation construction before unpacking parts and beginning assembly. For tips on site preparation, go to www.suncoast.com, consult retailer, or local codes.

Site Preparation

1. Consult your local authorities for building codes and covenants before beginning foundation or erecting shed.
2. Before any digging, check with local utilities to determine location of buried cables, pipes, etc.
3. Decide which type of foundation is most suitable for your installation. **The foundation surface must be square, flat and level.** Follow the below guidelines for foundation options:

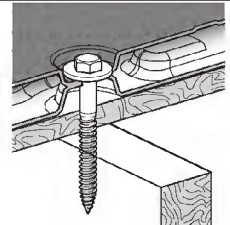
Concrete Slab

- Construct a slab of at least 4" thickness.
- The use of reinforcement bar is recommended.

Wood Platform

- Use exterior grade wood.
- Set the platform on pier blocks or footing.

4. Complete the foundation preparations as follows:
 - A vapor barrier may be applied over the foundation to prevent excessive condensation in the shed. Follow local building codes for a proper vapor barrier.
 - The ground should slope away from the foundation area to provide drainage.



Anchor section example

Anchoring the floor panels to foundation is required after assembly is complete.

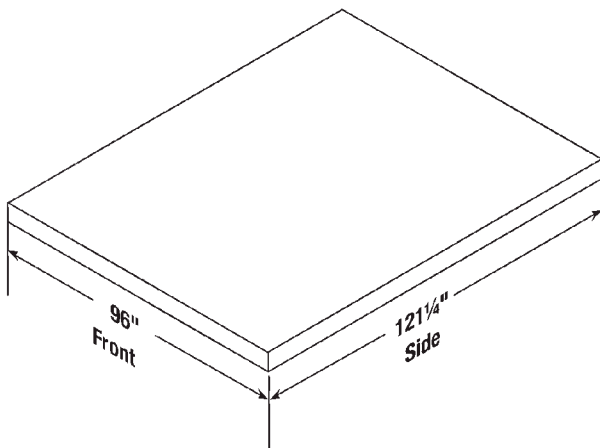
- Shed floor panels include flattened areas where anchors or lag screws are to be secured. These flat areas must be drilled through prior to securing the floor panels to the foundation.

Concrete Slab

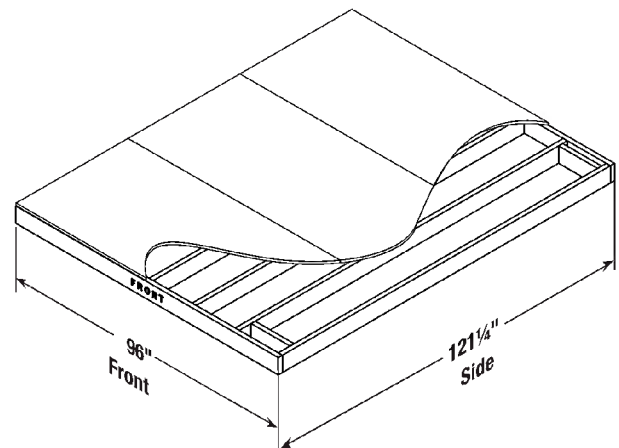
- Secure shed to concrete slab using 3/8" masonry anchors with 1" washers. Masonry anchors and 1" washers are available at most local hardware retailers. **16 masonry anchors are required for this model**

Wood Platform

- Secure shed to wood platform using 1/4" - 3/8" x 3" lag screws with 1" washers. Lag screws and 1" washers are available at most local hardware retailers. **16 lag screws are required for this model.**



* Dimensions allow for shed to fit within the nearest 1" on each side.



Note: Shed floor fastening locations are designed to align with the under-structure layout. Be sure the front of the base panels are oriented correctly on the platform to ensure lag bolts engage with the under-structure.

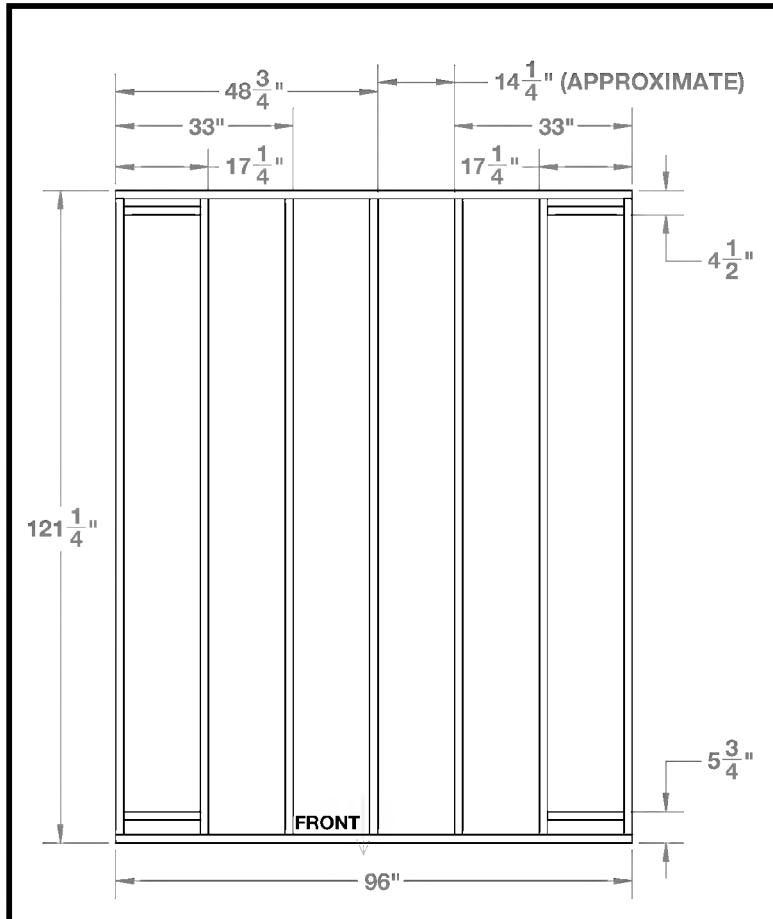
ULINE H-11825

1-800-295-5510

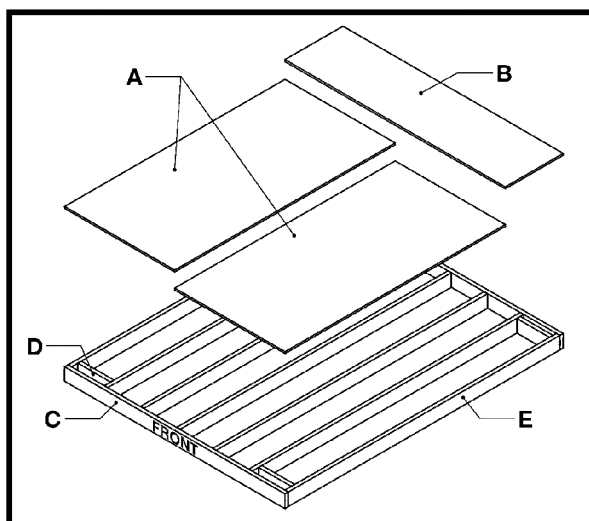
Site Preparation and Platform Construction

Materials **NOT** supplied with Shed Kit

Wood platform critical spacing



- Check all critical spacing measurements.



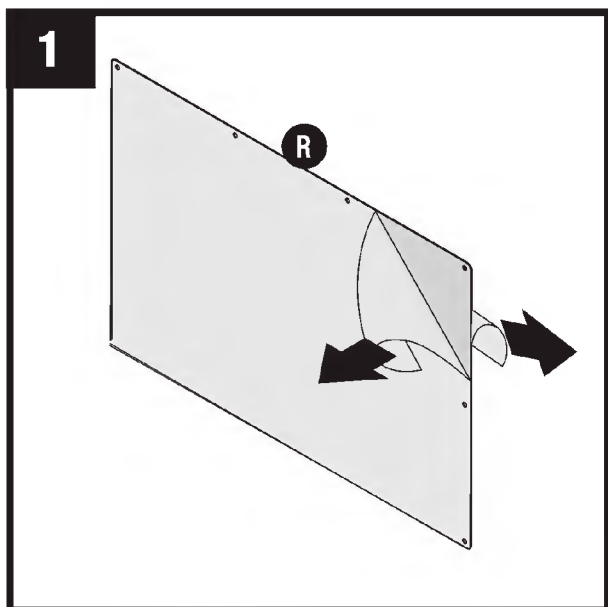
Wood platform materials list

A	2	48" x 96" x 3/4" Plywood
B	1	25 1/4" x 96" x 3/4"
C	2	2" x 6" x 96"
D	4	2" x 6" x 14 1/4"
E	7	2" x 6" x 118 1/4"

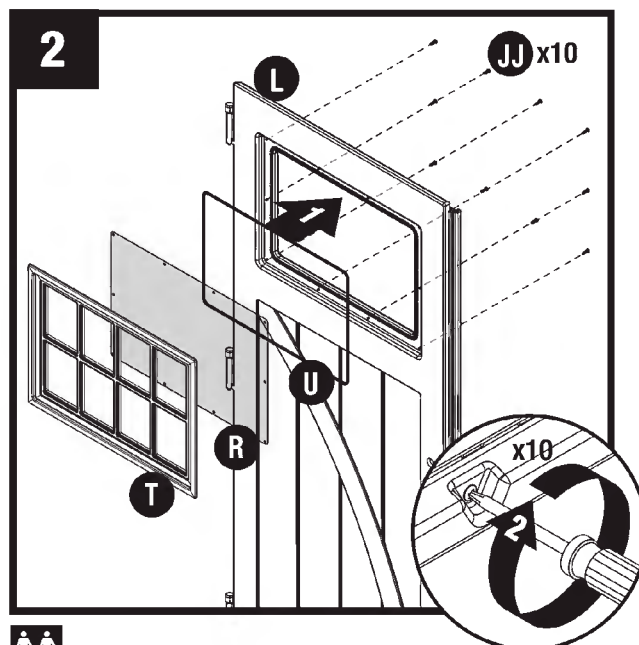
PLEASE NOTE-DIMENSIONAL LUMBER IS ACTUALLY 1/2" SMALLER THAN NOTED SIZES (A 2x 6 BOARD ACTUALLY MEASURES 1 1/2" x 5 1/2")

ULINE H-11825

Pre-Assembly - Door

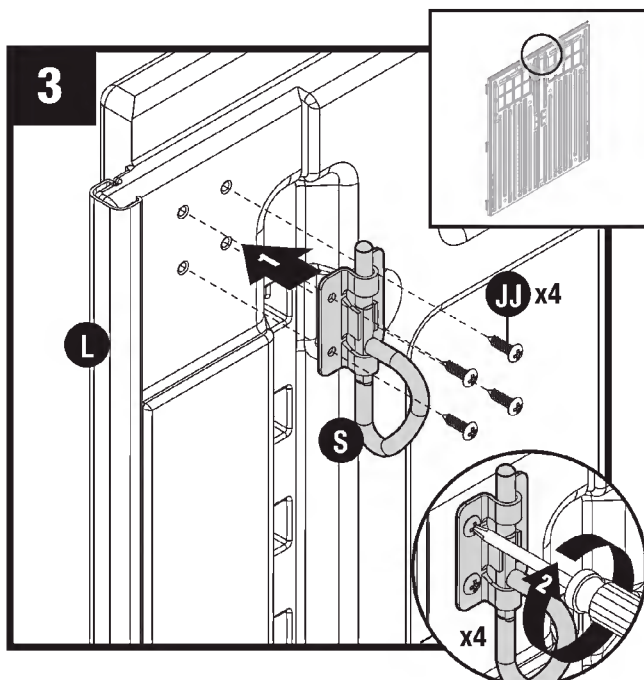


Peel film from both sides of window (R). Remove protective film from door edge.

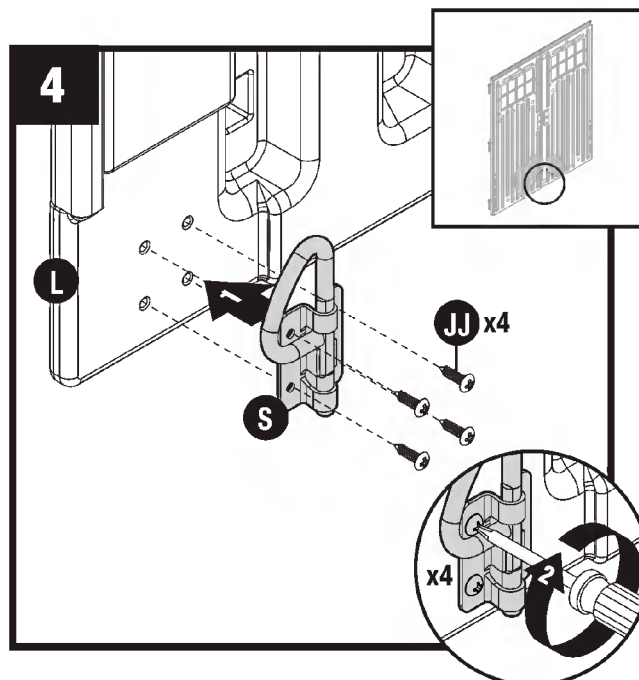


Place gasket (U), window (R), and frame (T) into door channel. Secure with ten screws (JJ), starting at corners. **DO NOT** over tighten screws. Repeat for right door (M).

*Note: The cut portion of gasket (R) **MUST** be assembled on bottom of door channel.*



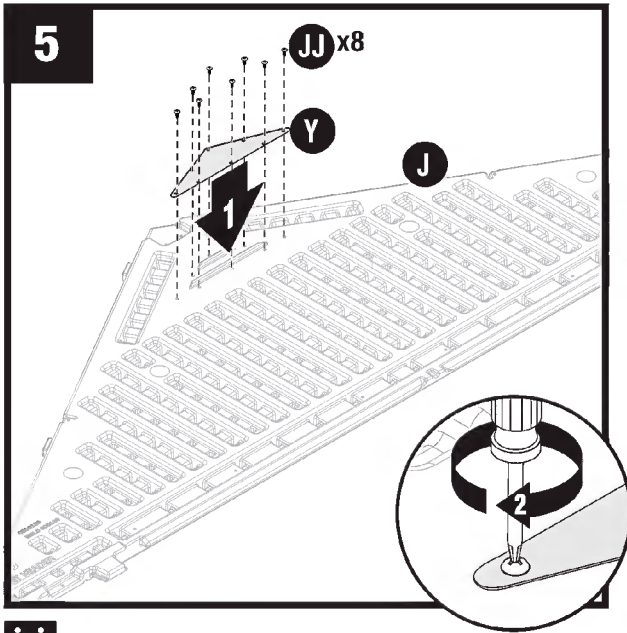
At top interior side of left door (L), attach D-ring slide bolt (S) with four screws (JJ).



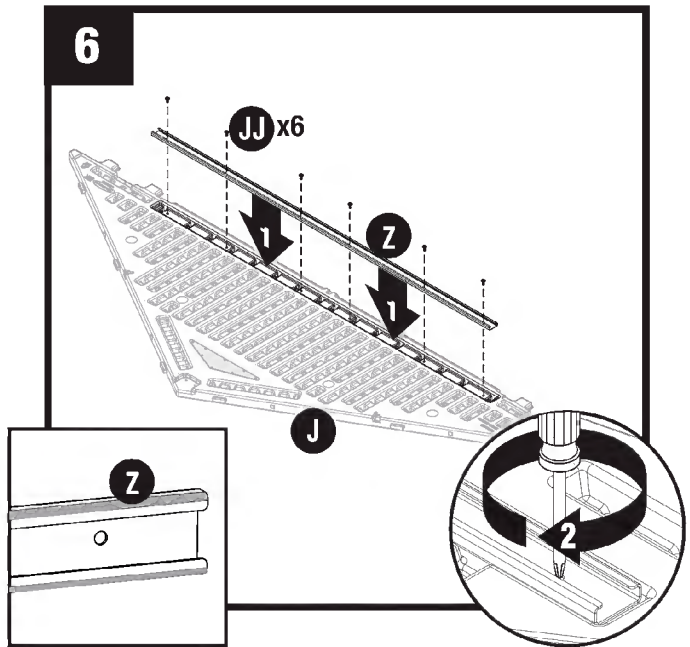
At bottom interior side of left door (L), attach D-ring slide bolt (S) with four screws (JJ).

ULINE H-11825

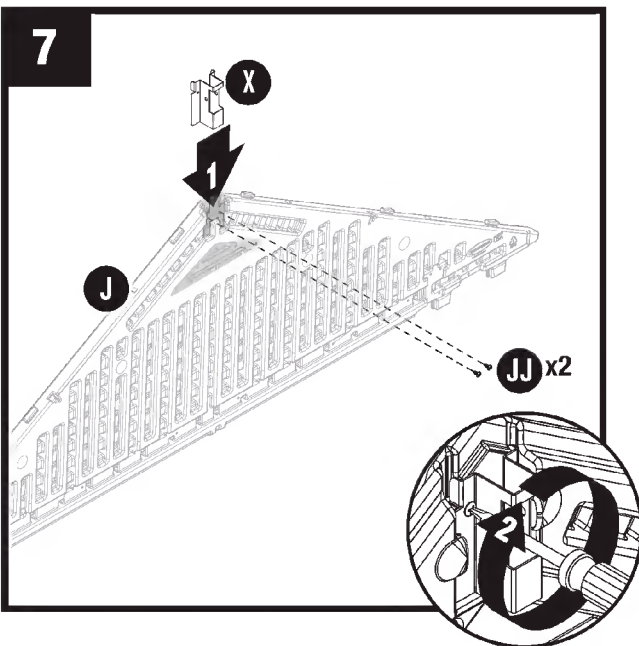
Pre-Assembly - Header



Lay front header (J) on ground with lettering side facing up. Place fiberglass vent screen (Y) into rear opening in front header (J). Secure with eight screws (JJ). **DO NOT** over tighten screws.



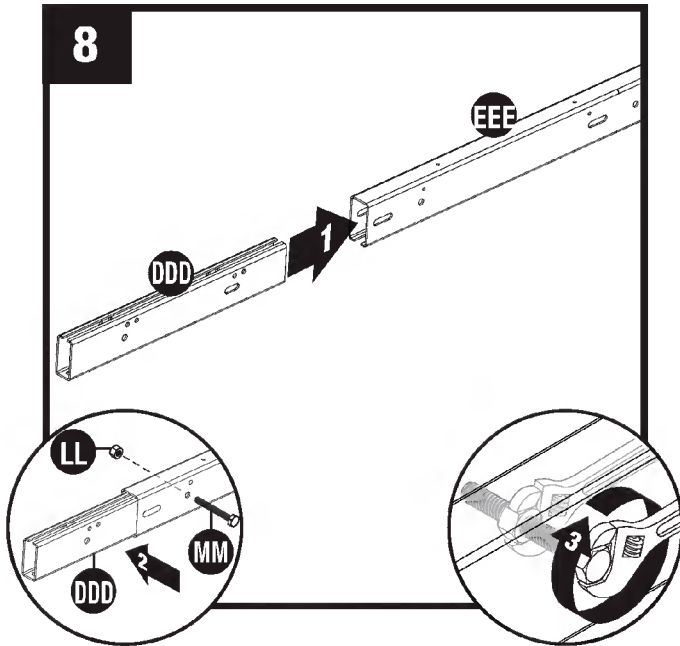
Place header beam (Z) into pocket of front header (J). Secure with six screws (JJ). **DO NOT** over tighten screws.



Slide roof ridge beam bracket (X) under tabs on inside peak of front header (J) and secure with two screws (JJ). **DO NOT** over tighten screws.

Repeat Steps 5-7 for rear header (K)

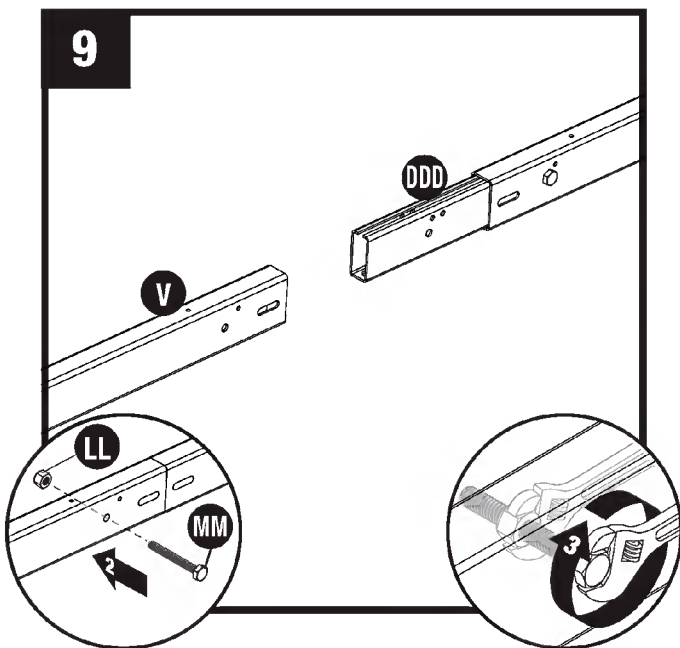
Pre-Assembly - Ridge Beam



Place ridge beam joiner (DDD) into the 3' ridge beam (EEE). Secure with hex bolt (MM) and nut (LL).

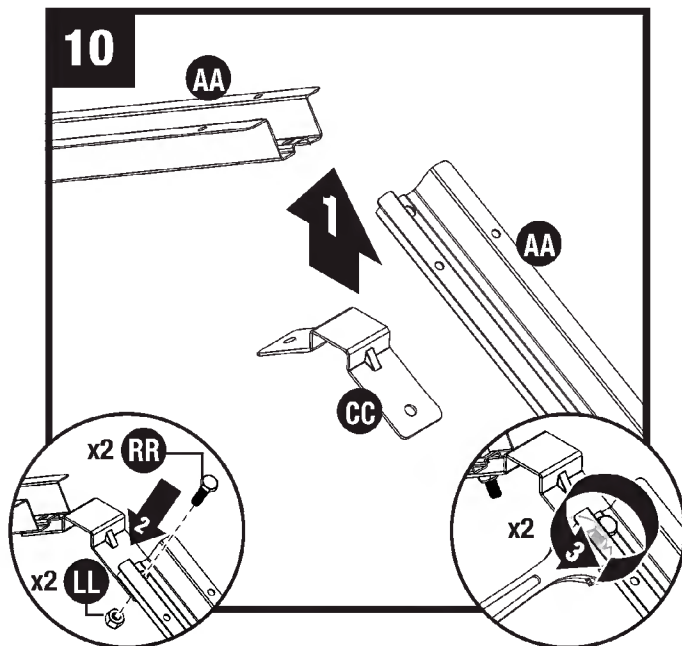


Part (EEE) orientation is critical, see picture.

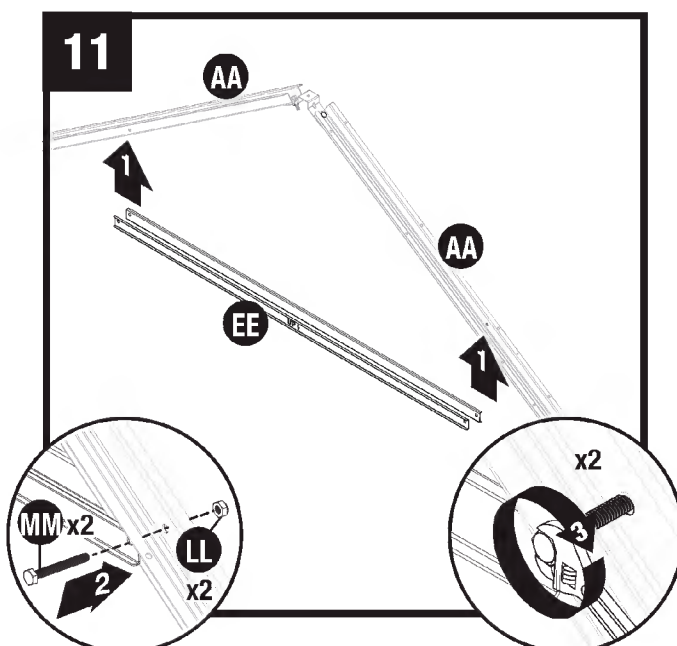


Place 7' ridge beam (V) onto the ridge beam joiner (DDD). Secure with hex bolt (MM) and nut (LL).

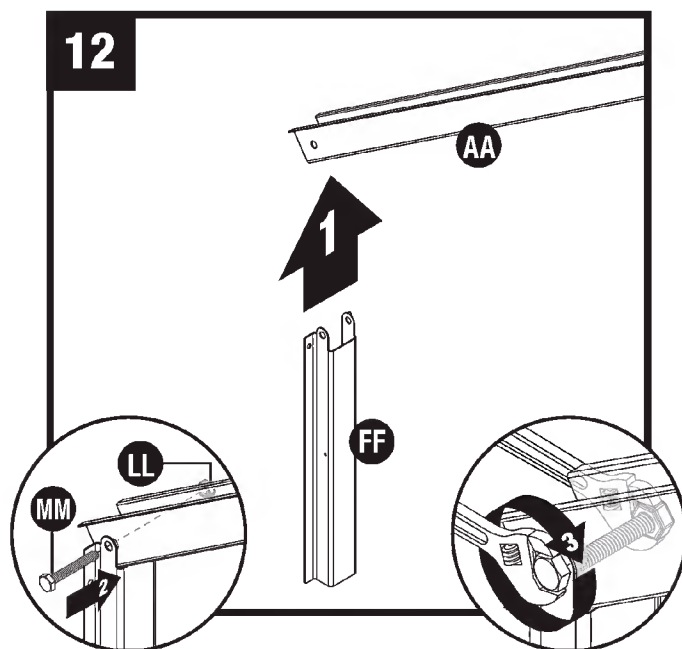
Pre-Assembly - Roof and Truss



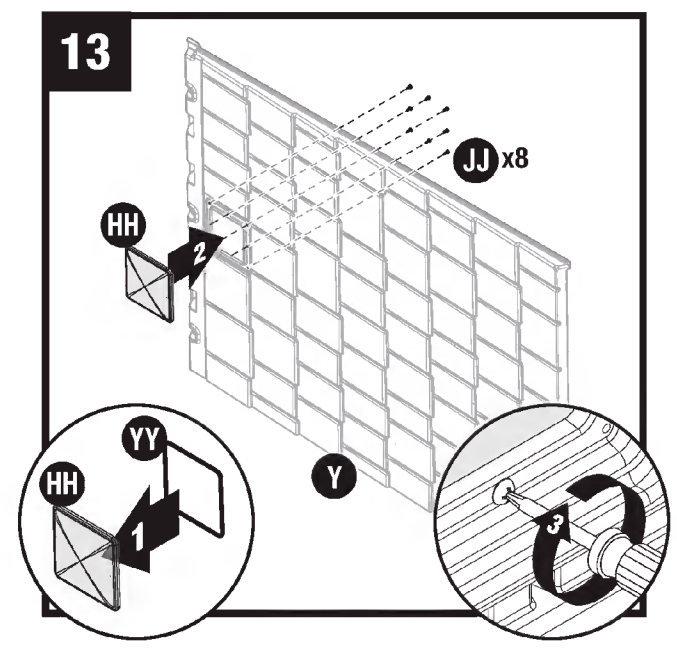
Attach truss bracket (CC) to end of one truss leg (AA) with one hex bolt (RR) and one nut (LL). Repeat for second truss leg (AA).



Attach two truss cross beams (EE) to two truss legs (AA) with two cap screws (MM) and two nuts (LL). Stand truss and check cross beam is level.



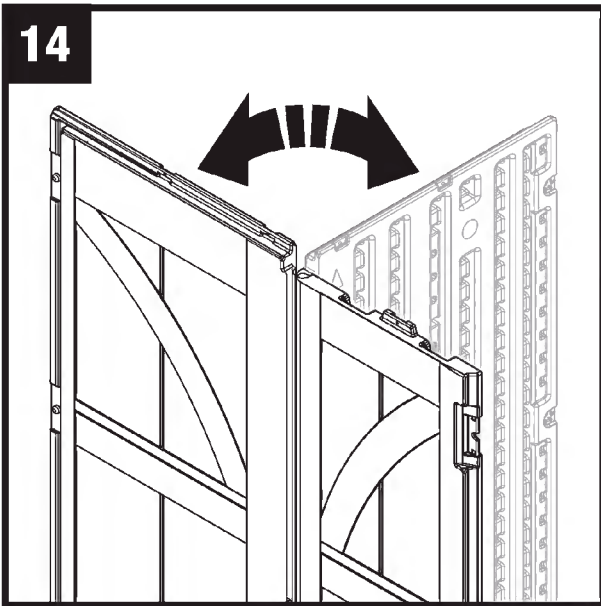
Attach side adaptor bracket (FF) at end of left truss leg (AA) with one cap screw (MM) and one nut (LL). Repeat for remaining side adaptor bracket (FF).



Place skylight gasket (YY) into skylight (HH). Place skylight (HH) onto right roof panel (O). Secure from underside with eight screws (JJ). Make sure rib on plastic parts is seated fully against gasket on skylight. Repeat for remaining roof panels.

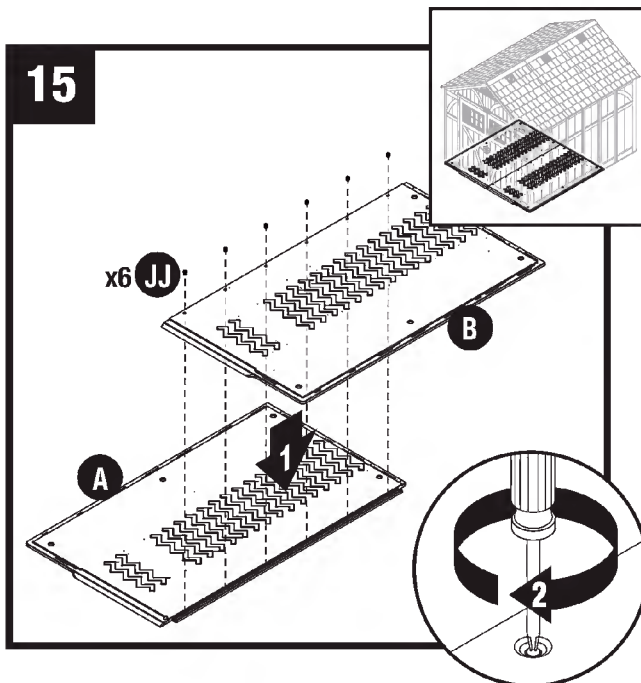
ULINE H-11825

Assembly - Walls

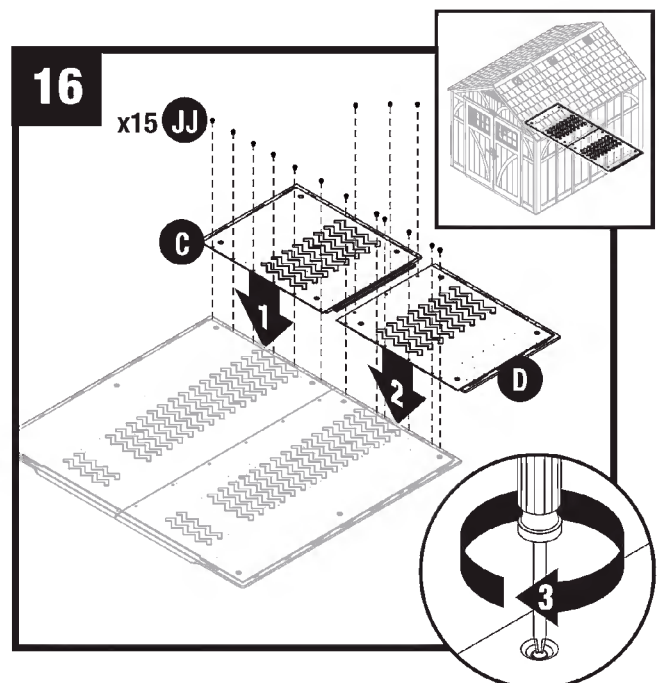


Critical: When installing corners, flex corner hinges back and forth several times. This will help provide a square corner and ensure proper fit of remaining panels.

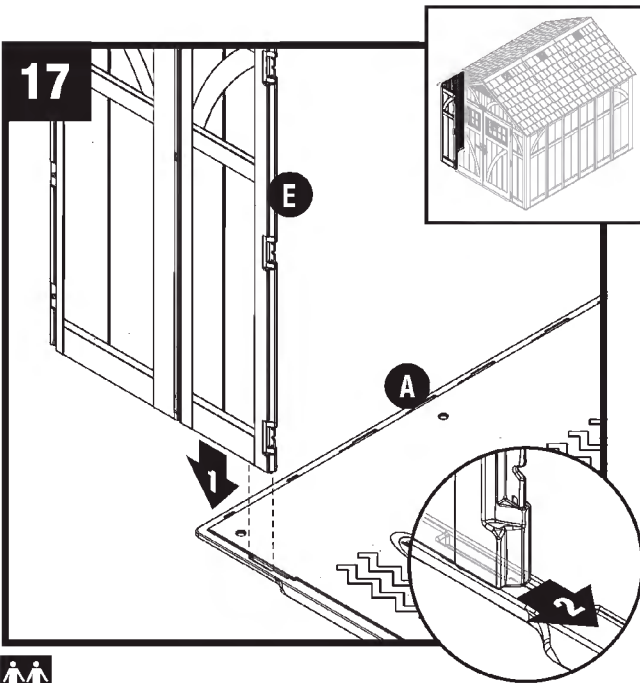
Important: DO NOT flex in reverse position, as this can crack the panel.



Push left floor (A) and right floor (B) panels together and secure with six screws (JJ).

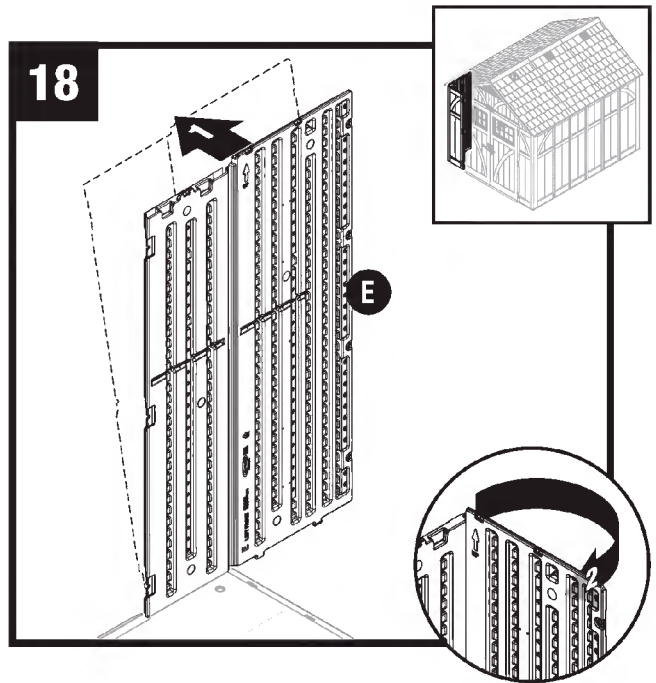


Repeat Step 15 for left floor extension (C) and right floor extension (D). Secure with 15 screws (JJ).

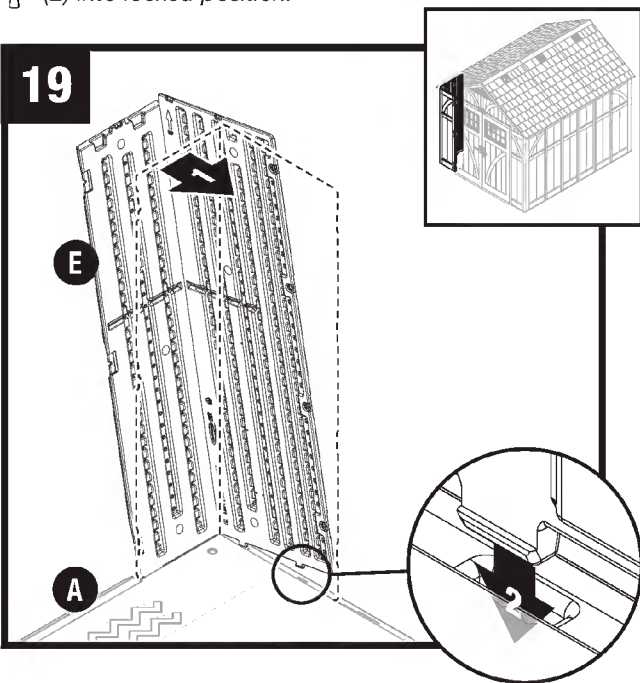


Align tab on bottom of left front corner (E) with slot on left floor (A). Lower panel into slot and lock in place by sliding panel toward door opening.

Note: Use a rubber mallet to "push" left front corner (E) into locked position.



Tip left front corner (E) outward slightly and bend corner hinge.



Tip left front corner (E) back to vertical position and align lower tabs on right side with slots in floor.

Note: You will hear a snap when tab is fully engaged.

20

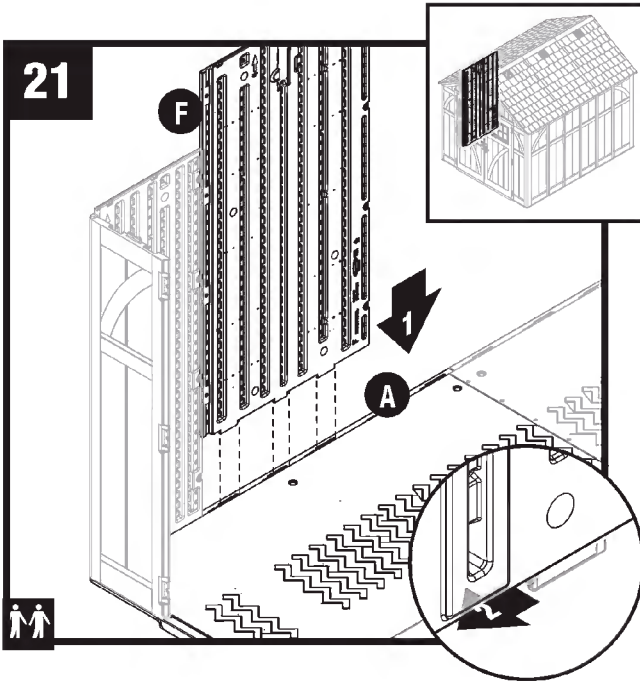
Before proceeding, make sure corner is square (top view) where it meets the floor and that panel is flush (side view) with floor.

If not, repeat Steps 17–19 until square and flush.


Top view

Side view

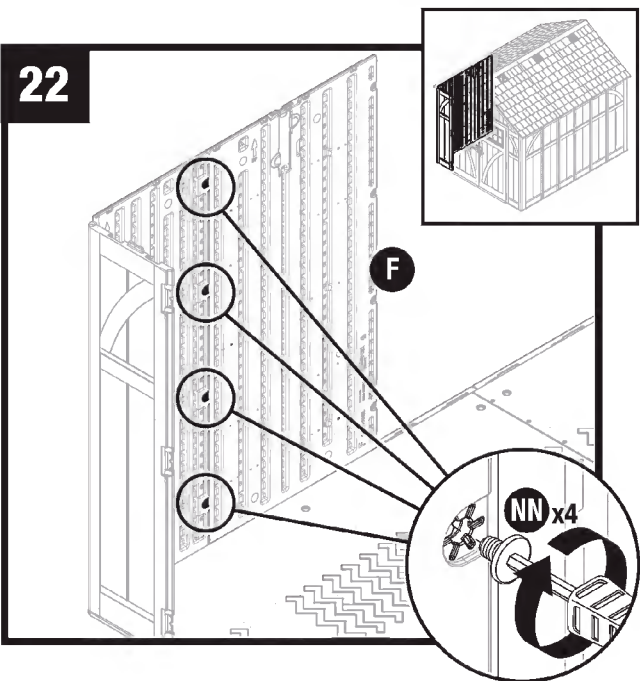
21



Align tabs on bottom of side panel (F) with slots along floor (A). Lower panel into slots and lock in place by sliding panel toward front corner.

 **Note:** Use a rubber mallet to “push” side panel (F) into locked position.

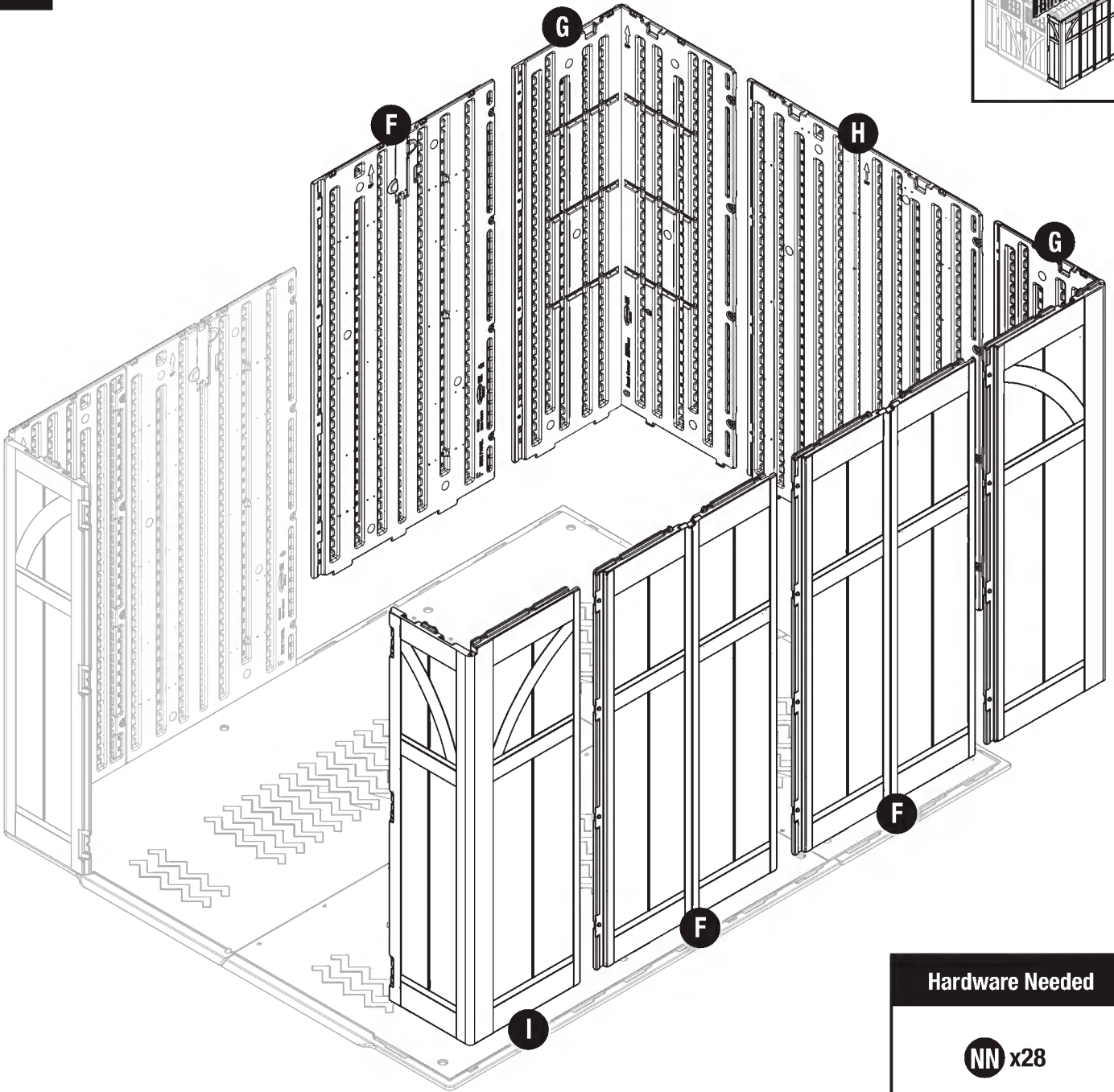
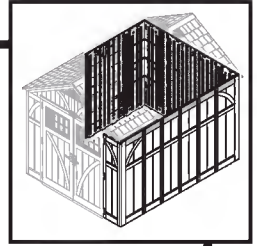
22



Secure side panel (F) with four easy bolts (NN), working from floor to roof. **DO NOT** use torque wrench. Use easy bolt easy driver (OO) and hand tighten. Easy bolt head will be flush when fully seated. **DO NOT** over tighten easy bolts.

Note: You may hear a click when easy bolt has been tightened completely.

23



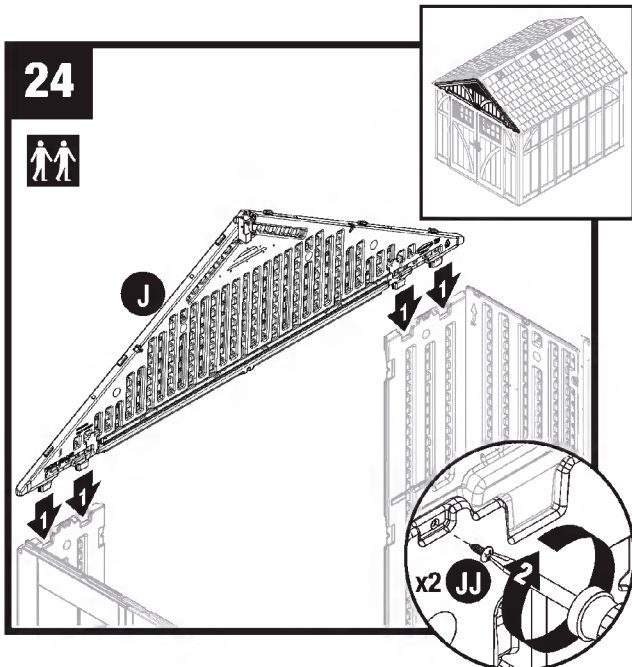
Hardware Needed
NN x28

Repeat Steps 17-22 for remaining panels.

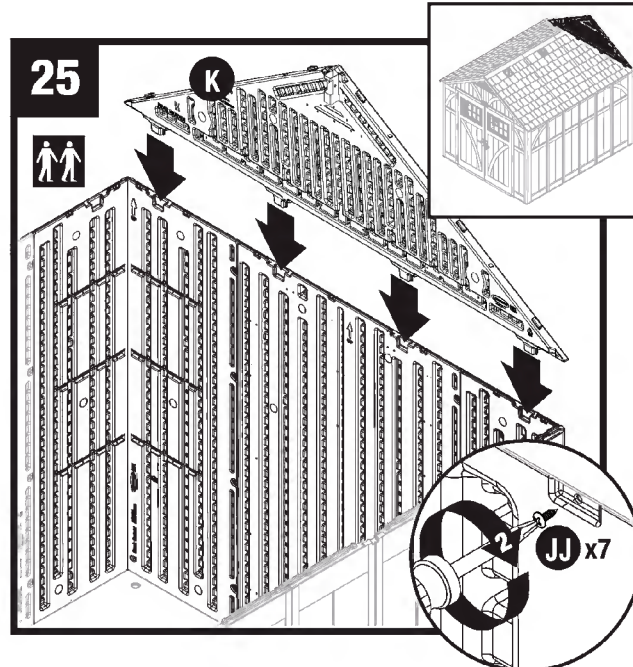
ULINE H-11825

1-800-295-5510

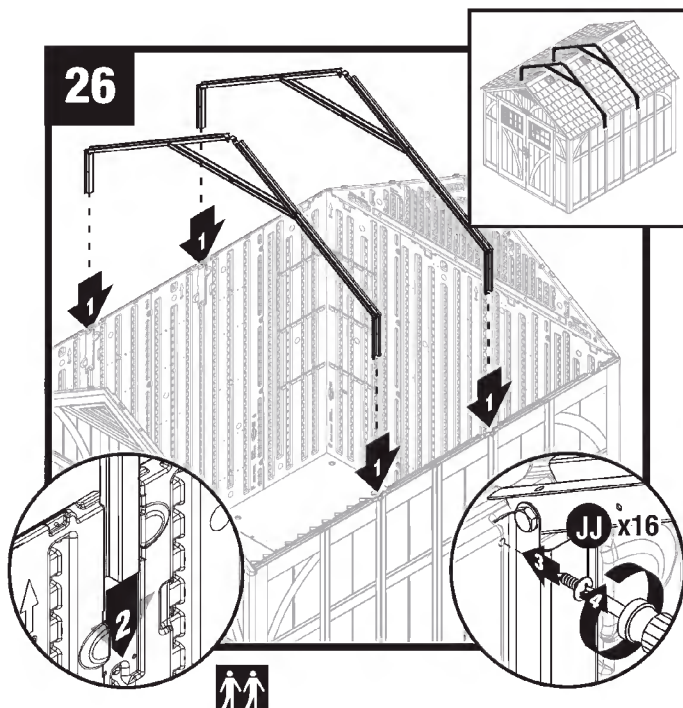
Assembly - Headers and Truss



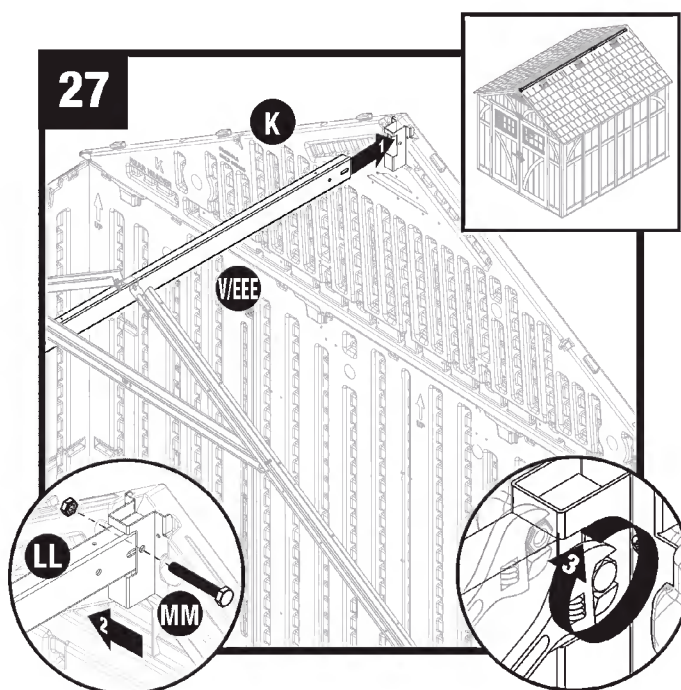
Place front header (J) over door opening and fit four protruding support legs into pockets molded in front corners. Secure front header using two screws (JJ).



Place rear header (K) over back walls and fit four protruding support legs into pockets molded in back walls. Secure rear header using seven screws (JJ).

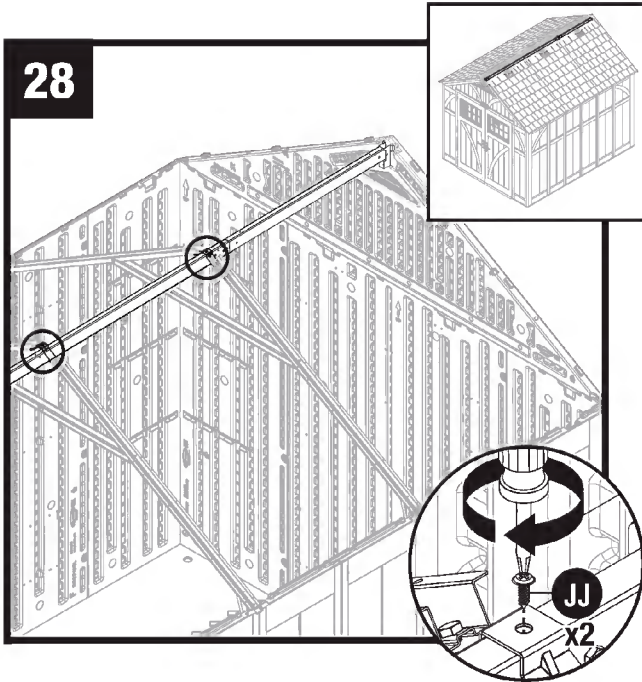


Slide truss assemblies into place. Secure with four screws (JJ) in each side adaptor bracket.

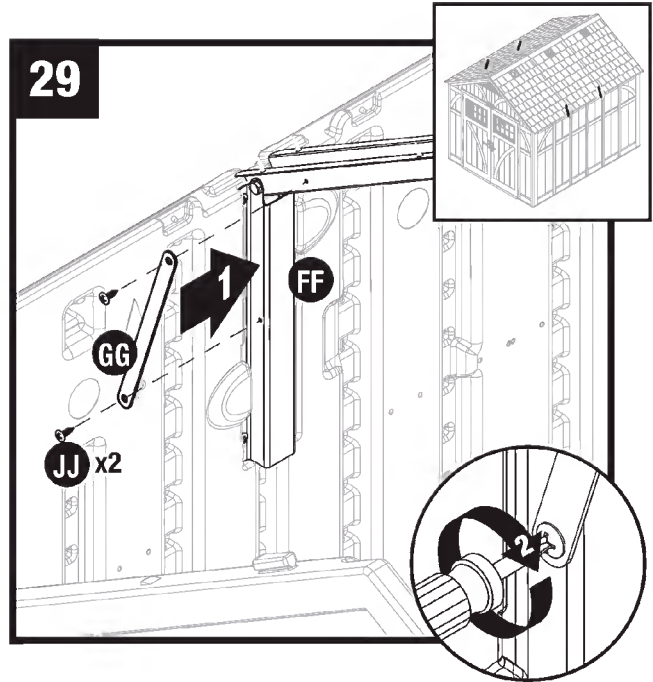


Raise ridge beam (V/EEE) up and into rear header (K). Secure with one bolt (MM) and one nut (LL). DO NOT tighten. Repeat for front header (J).

Note: Header panels may need to be pushed inwards or outwards slightly as ridge beam is slid into place.



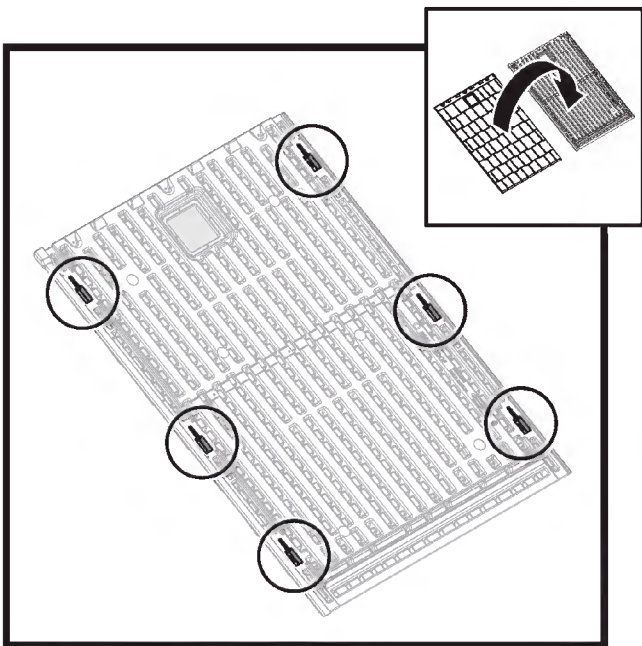
Attach the roof truss assembly to the ridge beam with two screws (JJ).



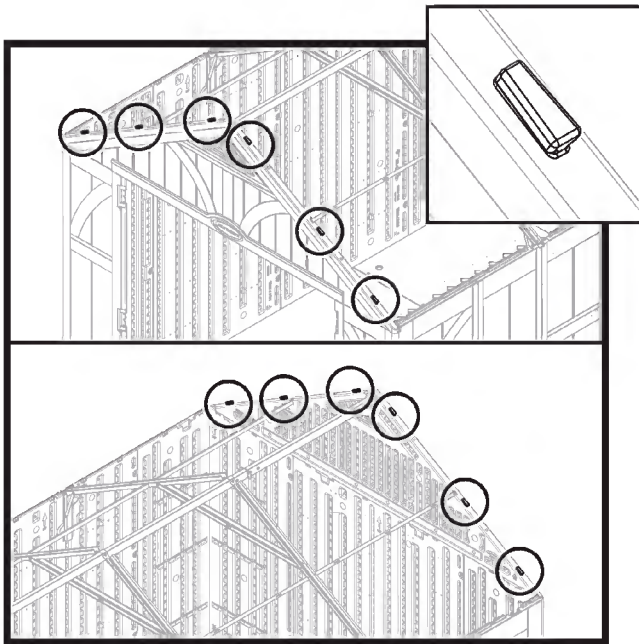
Attach truss strap (GG) to side adaptor bracket (FF) with two screws (JJ).

Repeat for remaining truss straps.

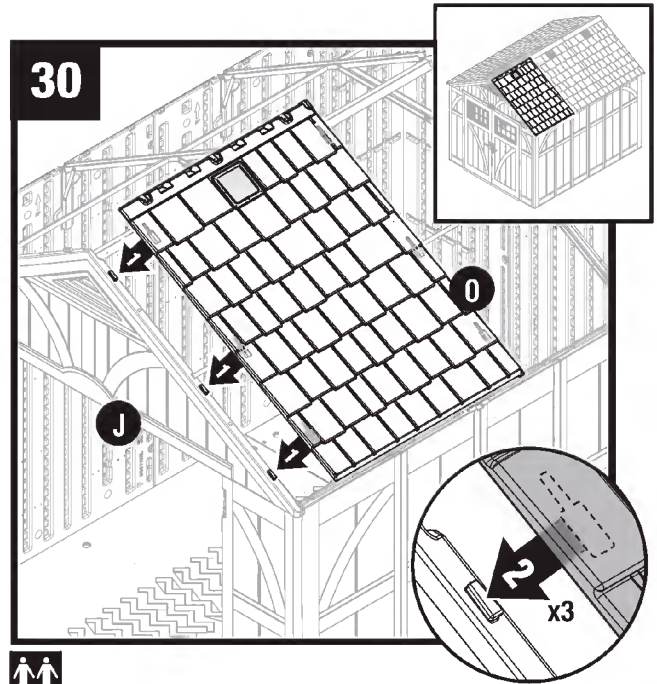
Assembly - Roof



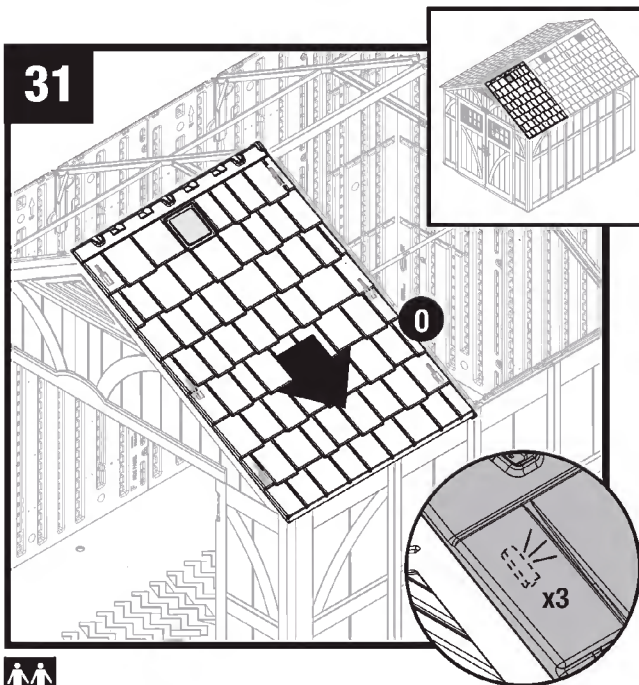
Before proceeding, locate and identify the six slots on interior side of right and left roof panels.



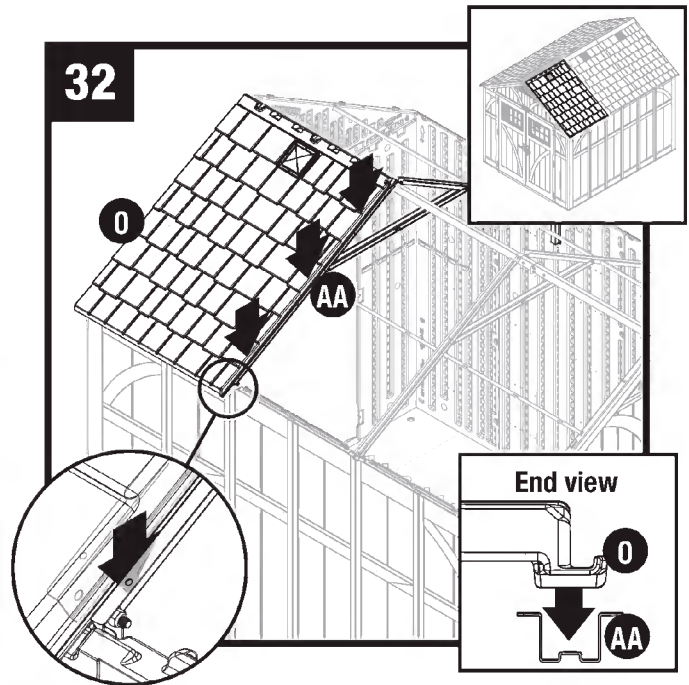
Before proceeding, locate and identify six front header tabs and six rear header tabs.



Lay right roof (O) directly over three tabs on right side of front header (J). With right roof slots seated over/on header tabs, check alignment in all three spots.

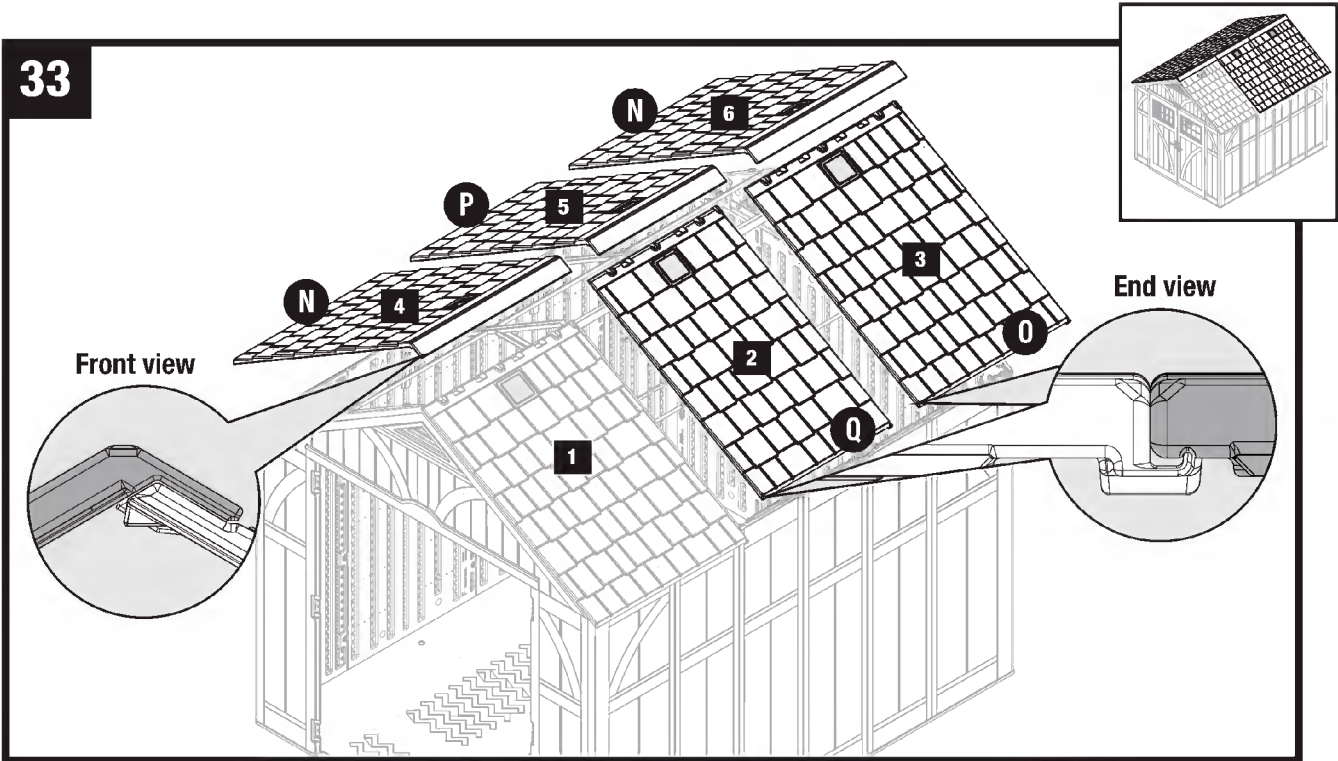


Slide right roof (O) down towards the outside of shed.



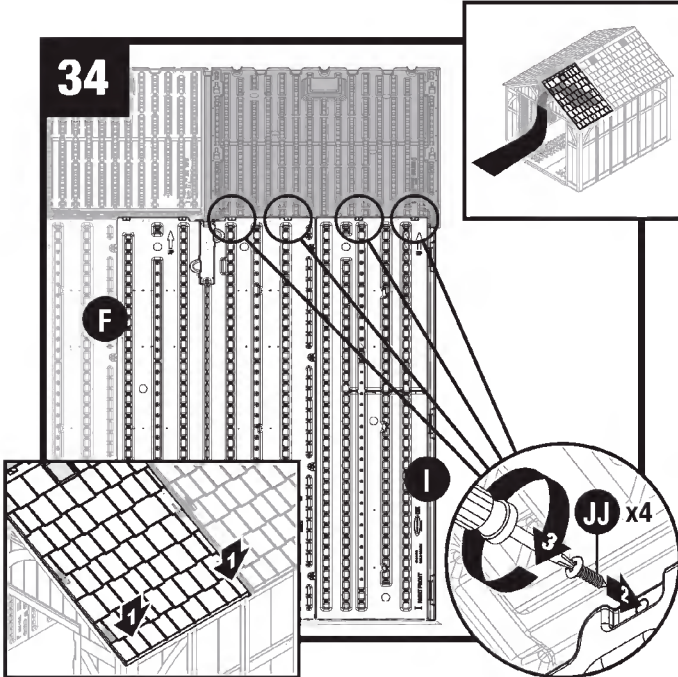
Press edge of right roof (O) into channel on truss leg (AA).

33



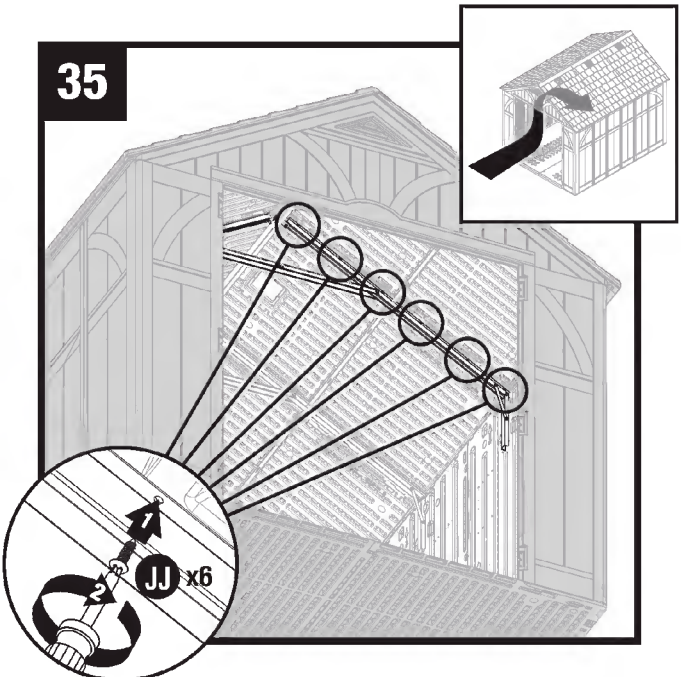
Repeat Steps 30-32 for remaining roof panels. Install panels in the order shown. **Note: At this point, fully tighten ALL hardware.**

34

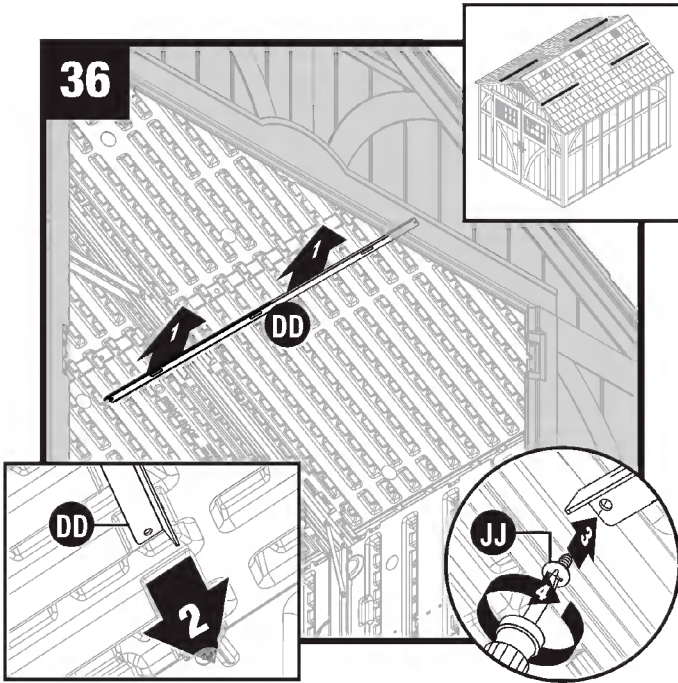


Pull down each lower corner of roof from outside. From inside shed, attach tabs on right front corner (I) and side panel (F) to roof panel with four screws (JJ).

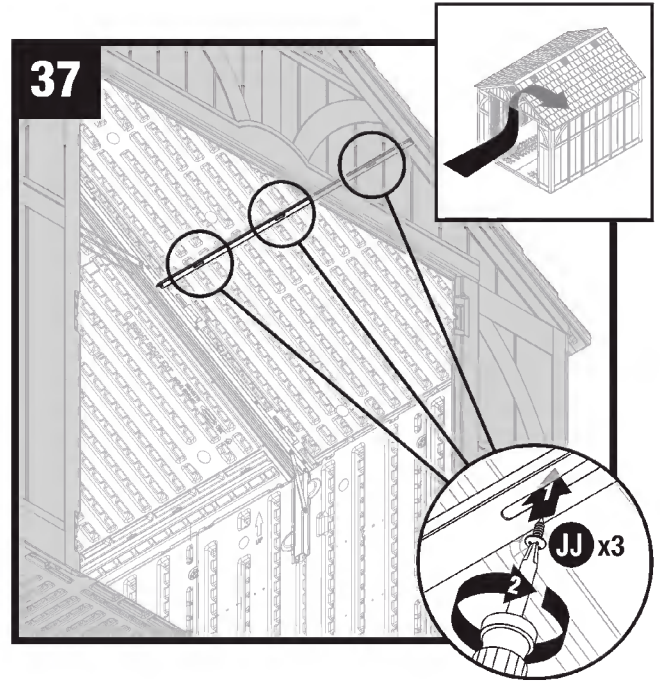
35



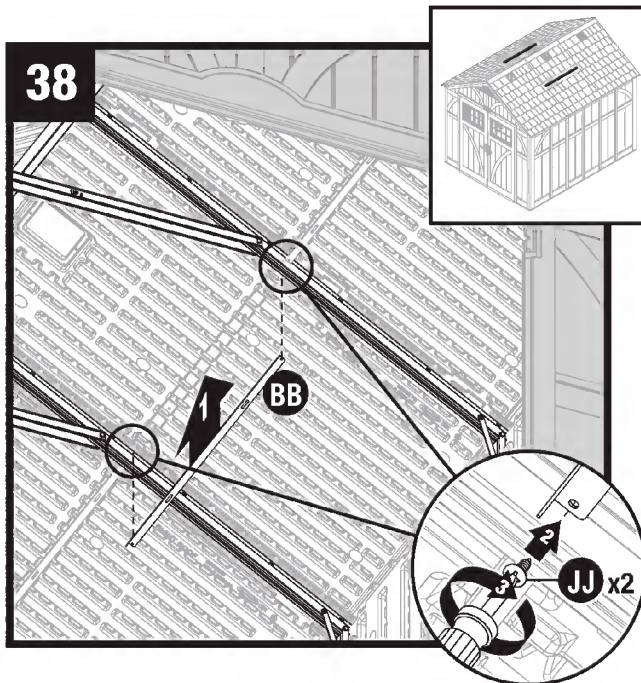
Secure roof to truss using six screws (JJ). Each screw will attach at a corresponding screw boss on the roof.



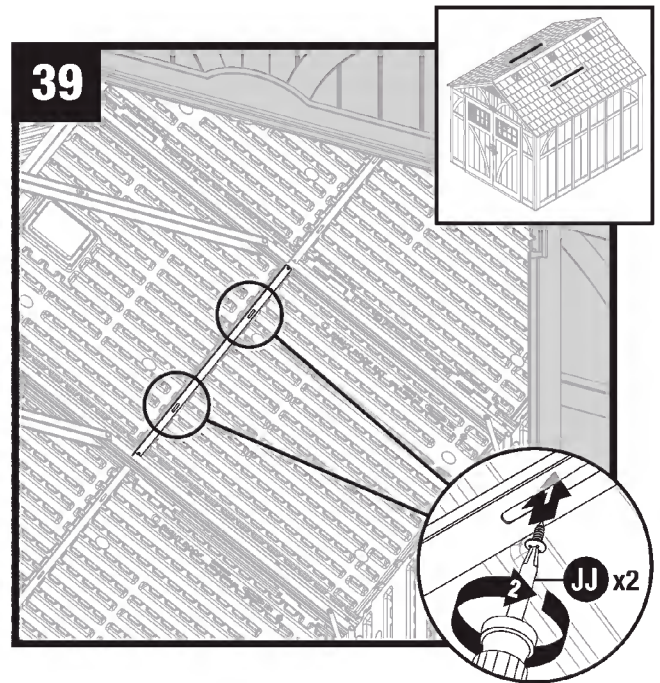
36 Raise roof support bracket (DD) into position against roof. Slide roof support bracket (DD) into front header. Secure roof support bracket (DD) to underside of truss leg with one screw (JJ).



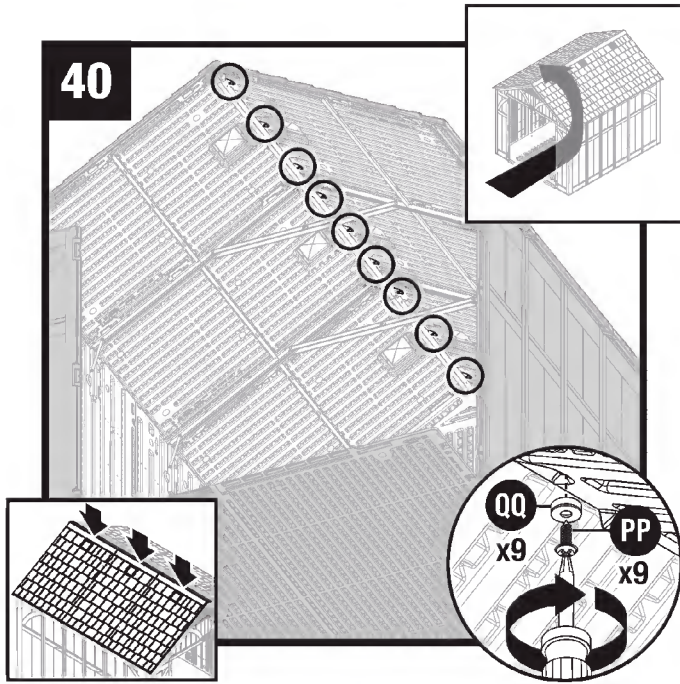
37 Secure roof support to roof using three screws (JJ). Repeat Steps 36-37 to install and secure remaining roof support brackets to three outer roof panels.



38 Attach roof support extension (BB) to truss legs with one screw (JJ), each side.

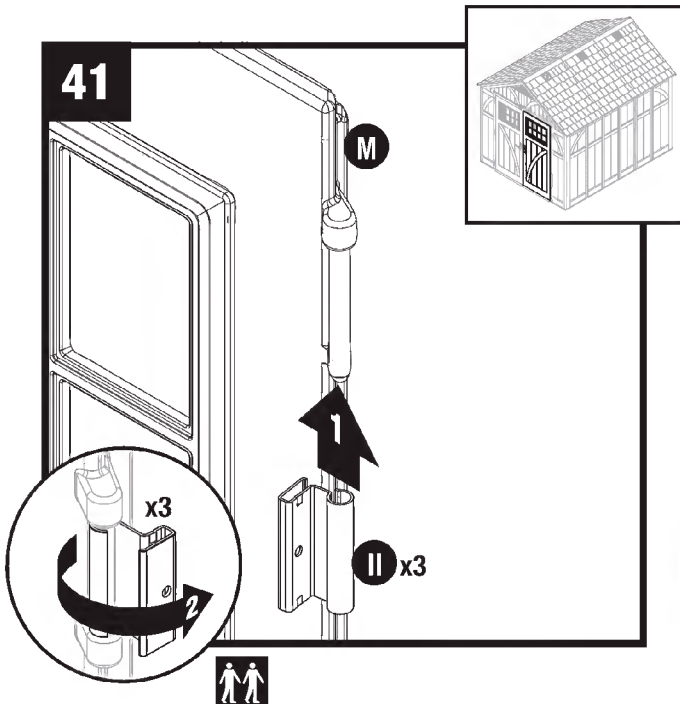


39 Secure roof support extension (BB) to inner roof panel using two screws (JJ). Repeat steps 38-39 to install and secure remaining extension bracket to other inner roof panel.

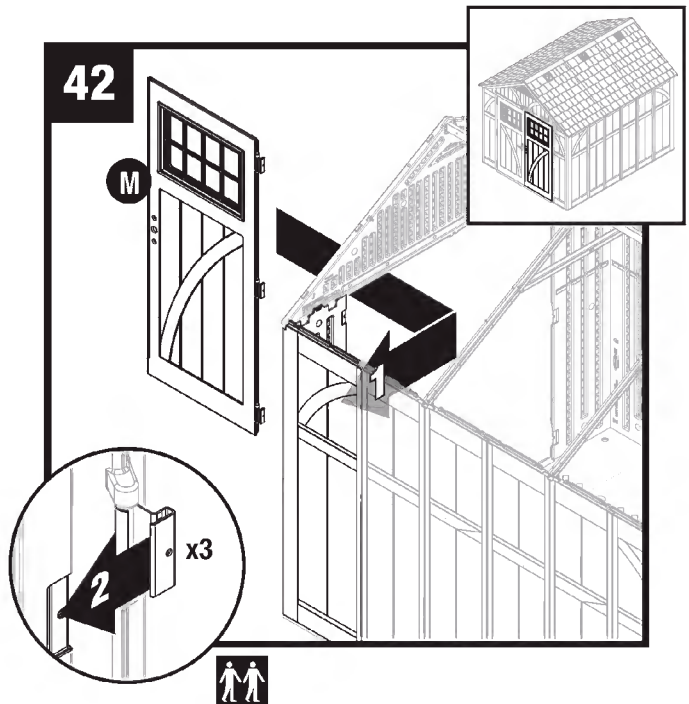


Push down the roof from outside. From inside shed, secure roof panels together along ridge of roof using nine rubber washers (QQ) and nine sealing screws (PP).

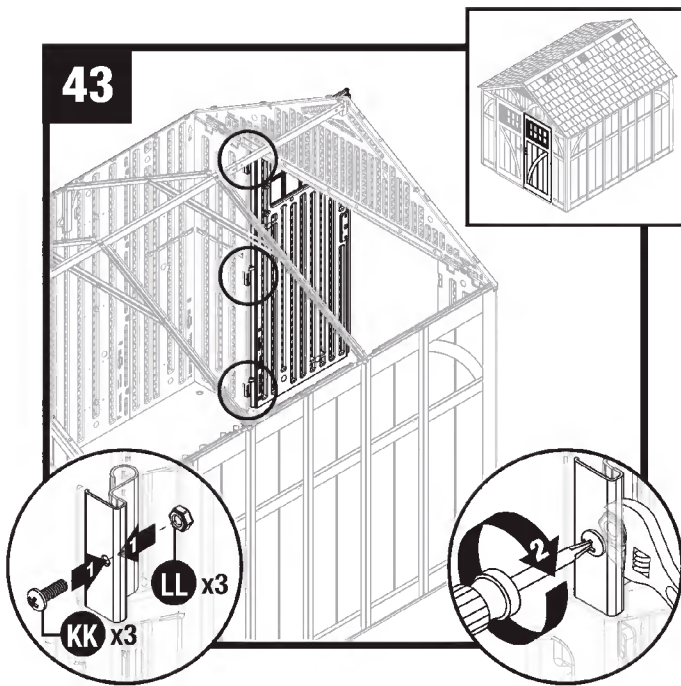
Assembly - Doors



Stand right door (M) upright with three hinge mounts facing right. Slide one metal door hinge (II) up onto each hinge mount. Rotate door hinges to outside of door.

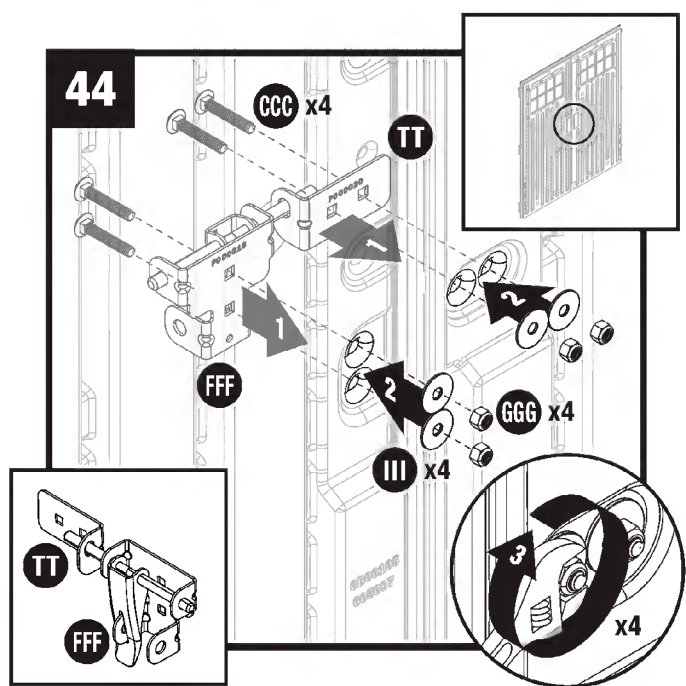


With door hinge in open position, slide one door hinge over each hinge receptacle on inside of right front panel.

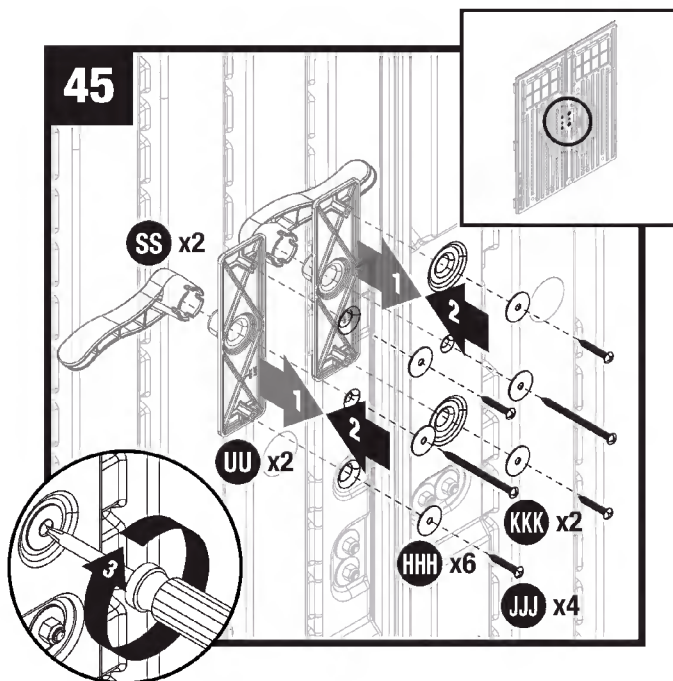


Secure each metal hinge plate with one screw (KK) and one nut (LL).

Repeat Steps 41-43 for left door (L).

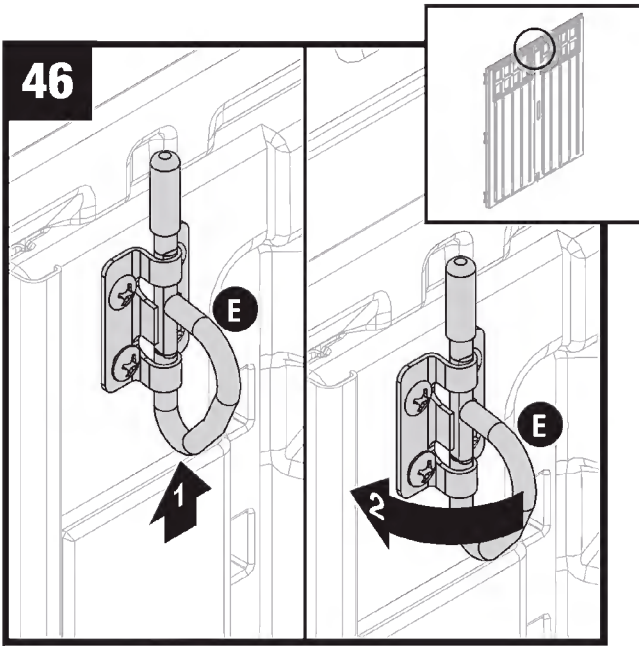


Insert two screws (CCC), into left latch plate (TT), and through pre-drilled holes in doors. While holding plate in place on exterior door, secure with two washers (III) and two locking nuts (GGG). Repeat for right latch plate (FFF).

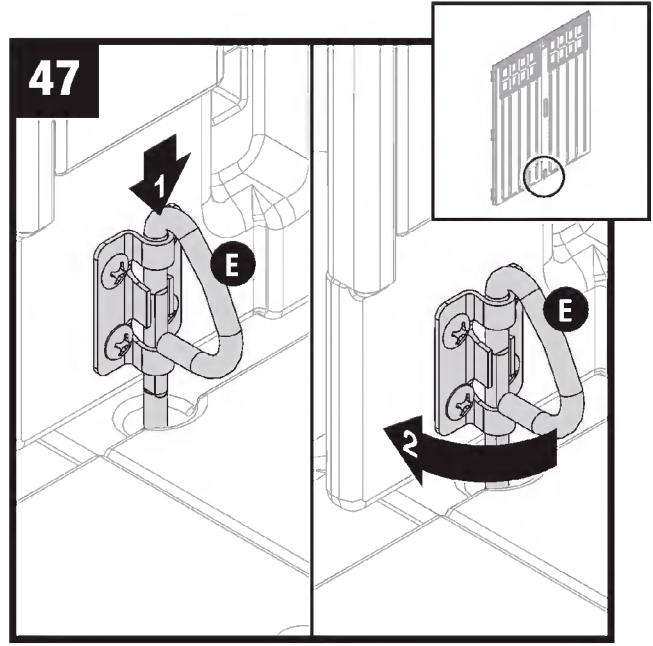


From the outside of doors, insert door handles (SS) onto the handle plates (UU). On inside of the doors, place washers (HHH) on center door handle locations, and secure each handle (SS) with one long screw (KKK).

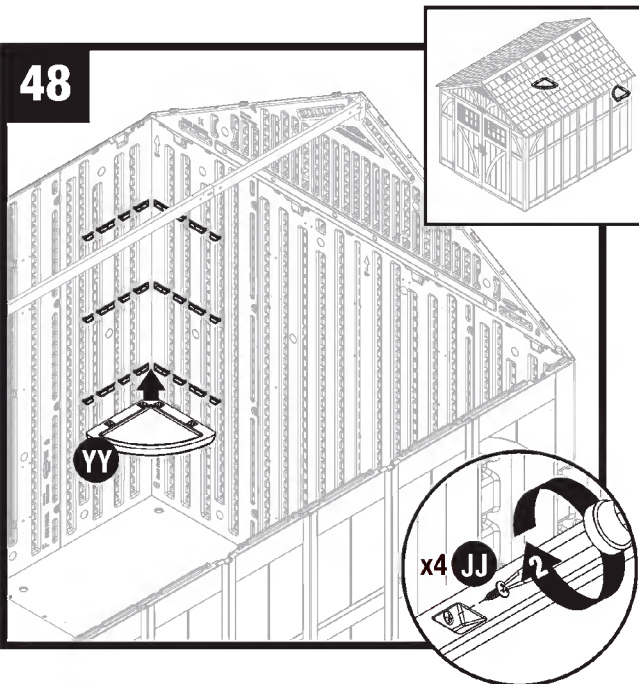
Secure handle plates (UU) with four washers (HHH) and four screws (JJJ).



Push D-ring (E) up to engage with slot in header. Turn D-ring to left for locked position.

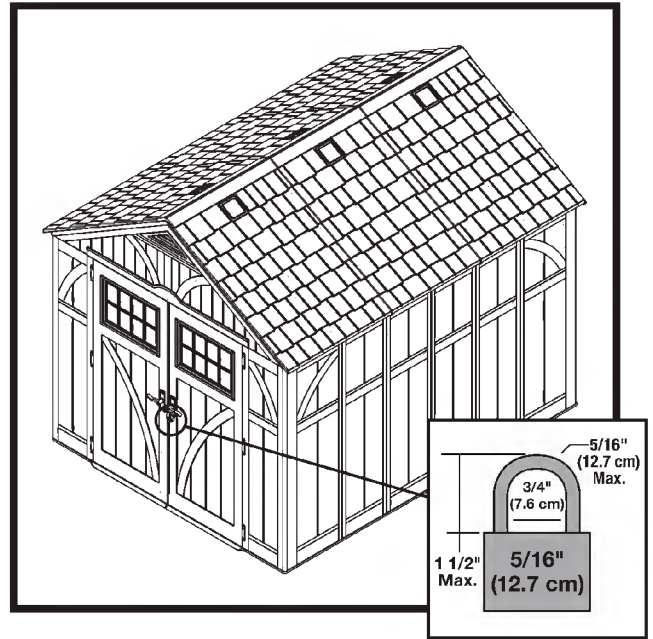


Push D-ring (E) down to engage with hole in floor. Turn D-ring to left for locked position.



Attach shelf (YY) in desired location with four screws (JJ)
Repeat for remaining shelf (YY).

Note: Shelf can be located in any of the four corners.



Attach a 5/16" lock (not provided) to door latch, to properly secure shed.

Note: To maintain warranty coverage, the product should be pad-locked at all times when not in use.



ULINE H-11825

1-800-295-5510