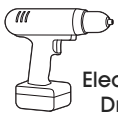


TOOLS NEEDED



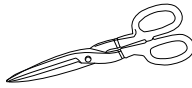
Electric Drill



7/64" Drill Bit



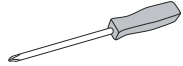
Phillips Drill Bit



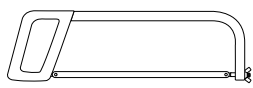
Scissors



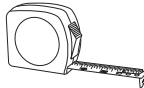
Hammer



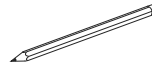
Phillips Screwdriver



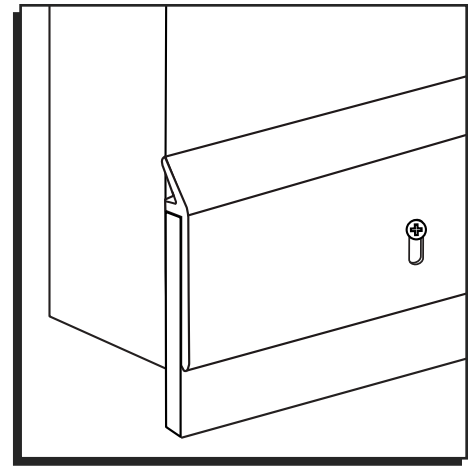
Hacksaw



Tape Measure

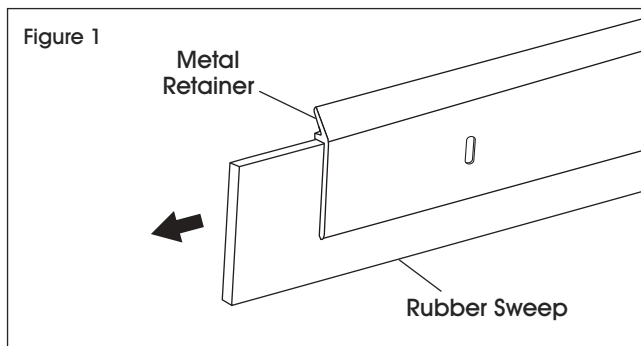


Pencil

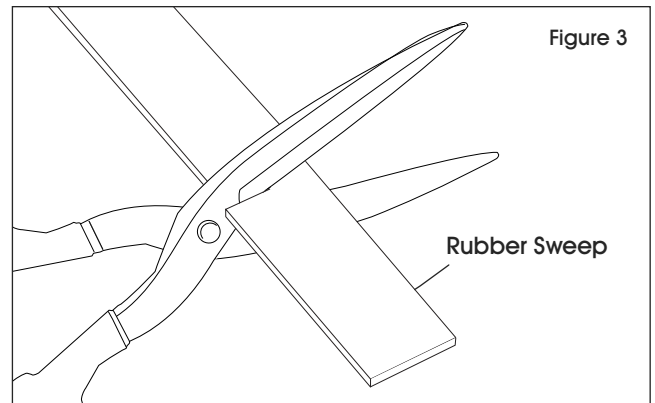


INSTALLATION

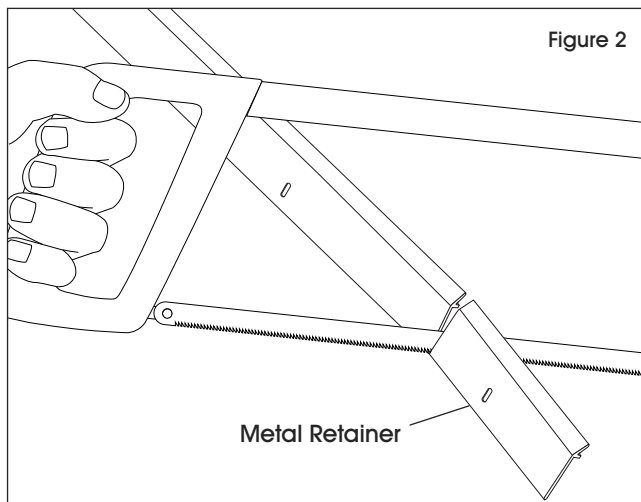
1. Remove rubber sweep from metal retainer. (See Figure 1)



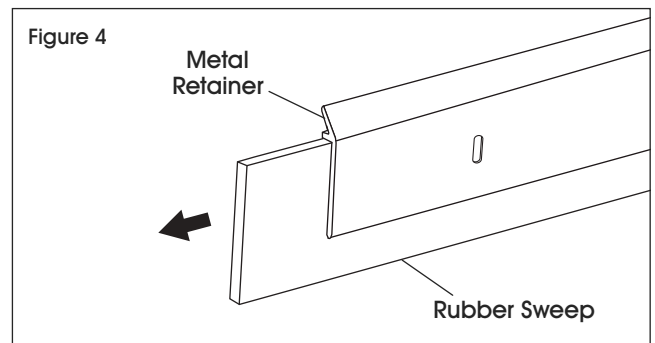
4. Cut the rubber sweep to length using a pair of scissors. (See Figure 3)



2. Measure the door width.
3. Cut the metal retainer to proper length using a hacksaw. (See Figure 2)

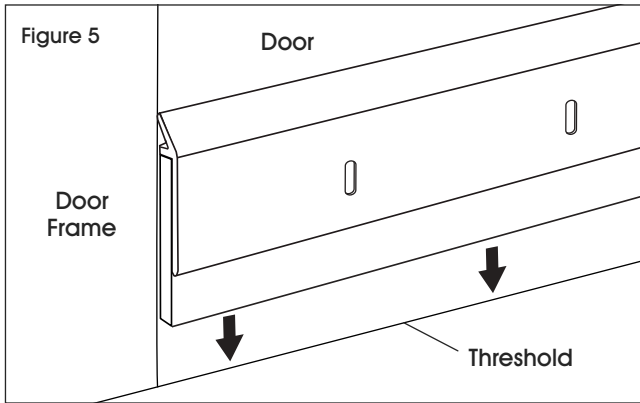


5. Replace rubber sweep in metal retainer. (See Figure 4)

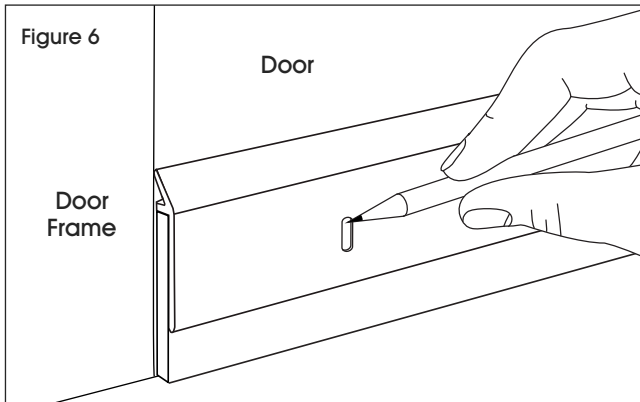


INSTALLATION CONTINUED

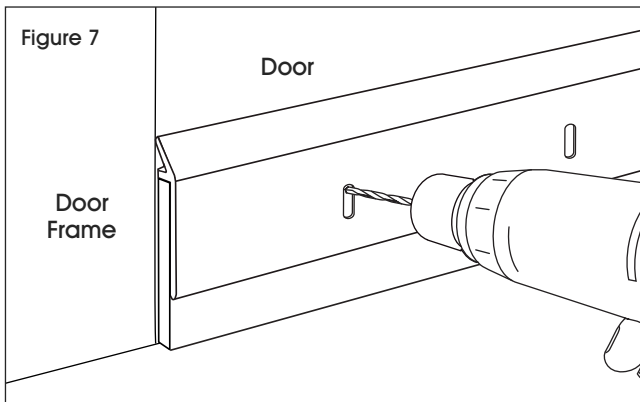
6. Close door. Hold sweep at bottom of door. Tap down until contact is made between the sweep and threshold. (See Figure 5)



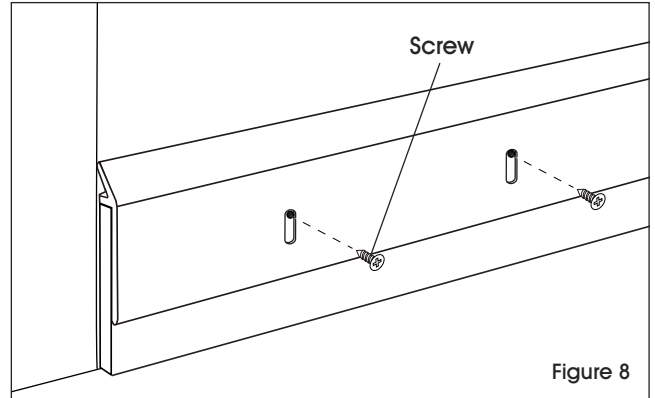
7. Mark screw holes with pencil. (See Figure 6)



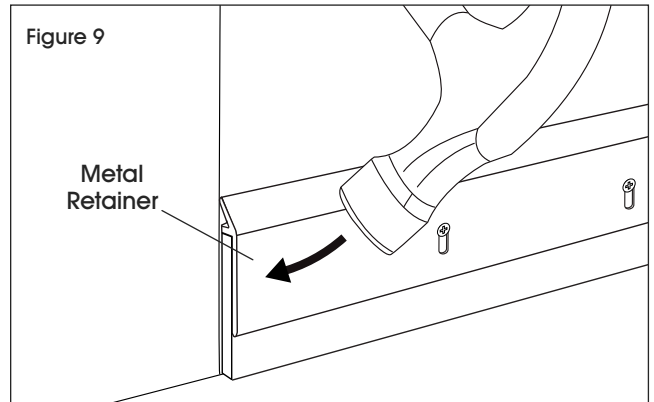
8. Drill pilot holes for screws through rubber sweep and into door using a 7/64" drill bit. (See Figure 7)



9. Install with screws provided. (See Figure 8)



10. Tap the bottom end of each metal retainer with a hammer to secure the rubber sweep from moving. (See Figure 9)



11. Adjust position so sweep does not impede proper closing and latching of door.



WARNING: This product can expose you to chemicals including chloroprene or DINP (Diisononyl phthalate), which are known in the State of California to cause cancer and/or reproductive harm. For more information, go to www.P65Warnings.ca.gov.

ULINE

1-800-295-5510
uline.com