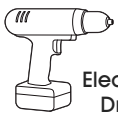


ULINE H-11883, H-11884 NYLON BRUSH DOOR SWEEP

1-800-295-5510
uline.com

TOOLS NEEDED



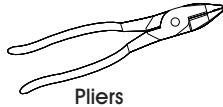
Electric Drill



7/64" Drill Bit



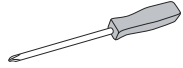
Phillips Drill Bit



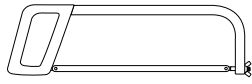
Pliers



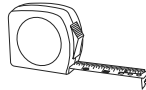
Hammer



Phillips Screwdriver



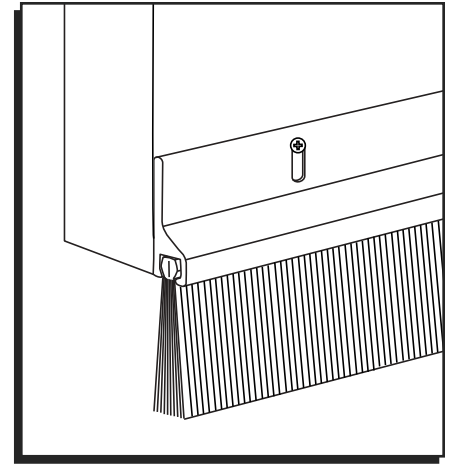
Hacksaw



Tape Measure

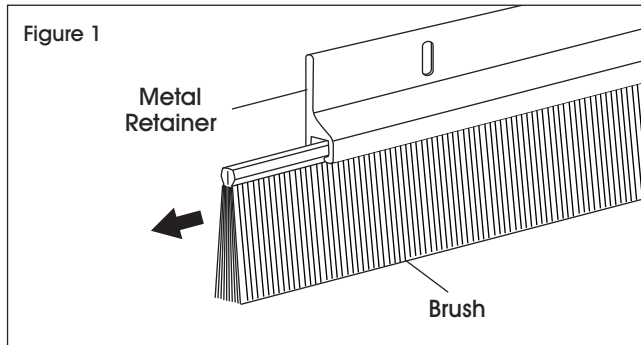


Pencil

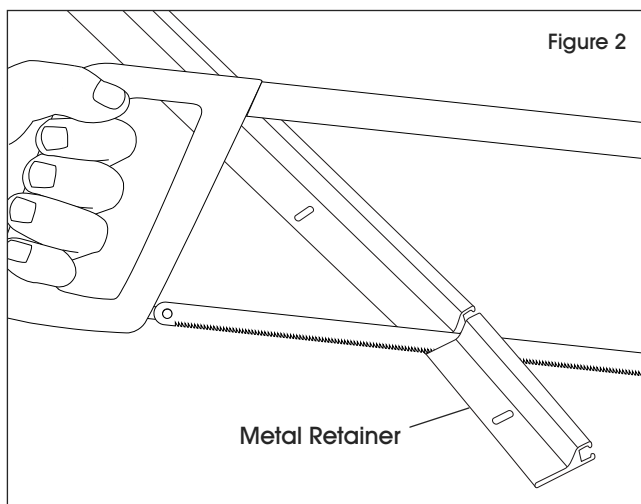


INSTALLATION

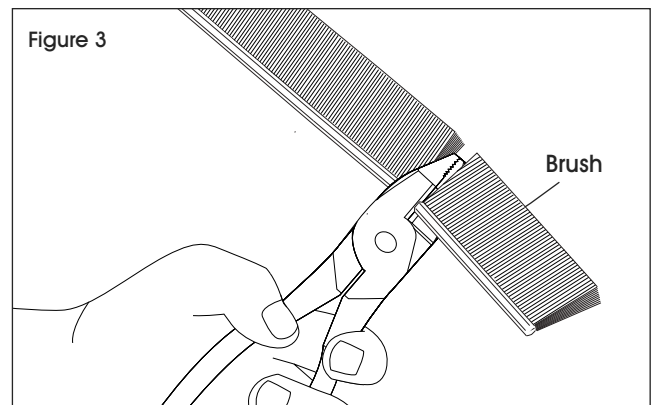
1. Remove brush from metal retainer. (See Figure 1)




2. Measure the door width.
3. Cut the metal retainer to proper length using a hacksaw. (See Figure 2)

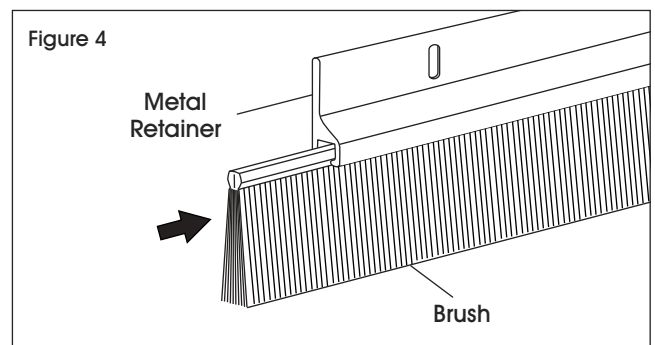


4. Cut the brush to length using the cutting section of pliers or diagonal cutters. (See Figure 3)



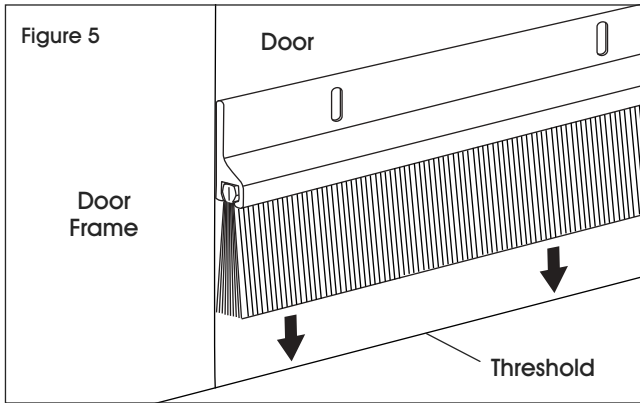
5. Replace brush in metal retainer. (See Figure 4)

 **NOTE: If bristles are not secure, use a drop of adhesive to secure the brush.**

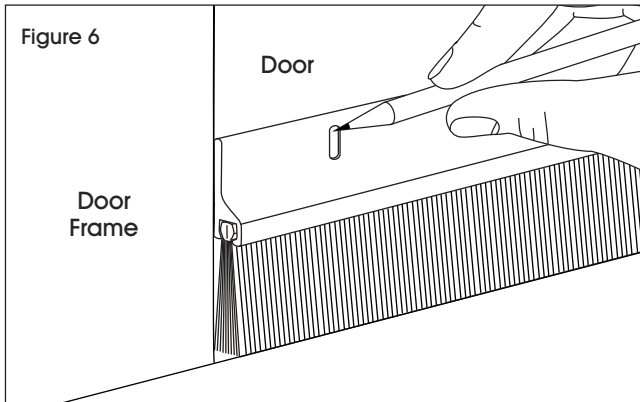


INSTALLATION CONTINUED

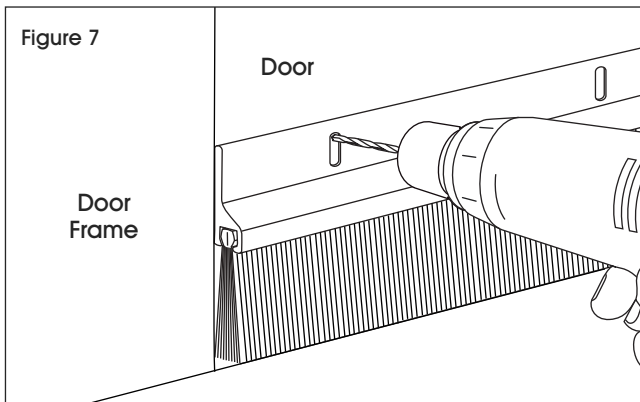
6. Close door. Hold sweep at bottom of door. Tap down until contact is made between the sweep and threshold. (See Figure 5)



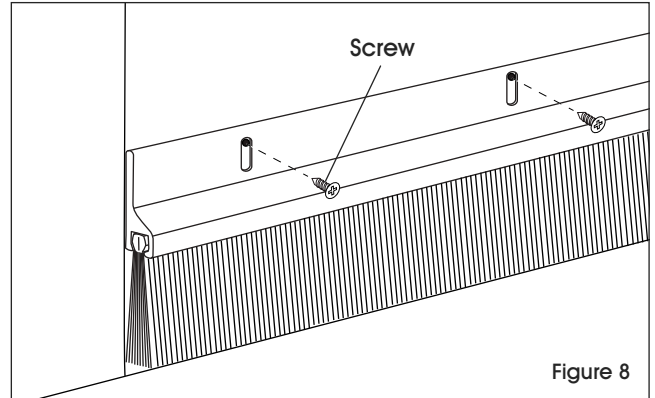
7. Mark screw holes with pencil. (See Figure 6)



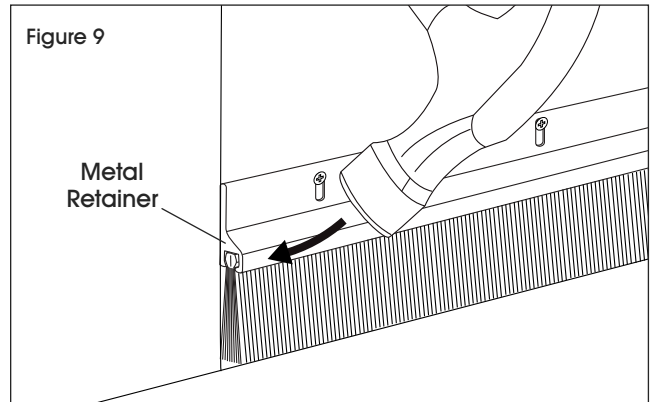
8. Drill pilot holes for screws using a 7/64" drill bit. (See Figure 7)



9. Install with screws provided. (See Figure 8)



10. Tap the bottom end of each metal retainer with a hammer to secure the brush from moving. (See Figure 9)



11. Adjust position so sweep does not impede proper closing and latching of door.



WARNING: This product can expose you to chemicals including chloroprene or DINP (Diisononyl phthalate), which are known in the State of California to cause cancer and/or reproductive harm. For more information, go to www.P65Warnings.ca.gov.

ULINE

1-800-295-5510
uline.com