

ULINE H-11925, H-11926

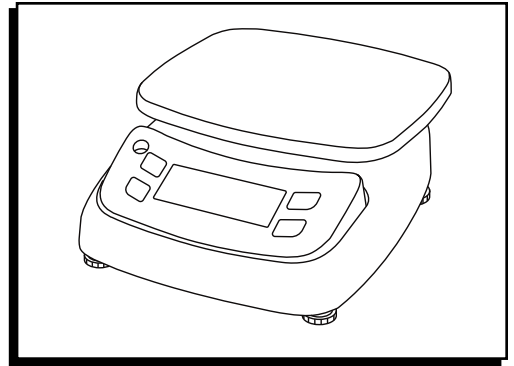
1-800-295-5510
uline.com

WASHDOWN FOOD SCALE

TOOL NEEDED

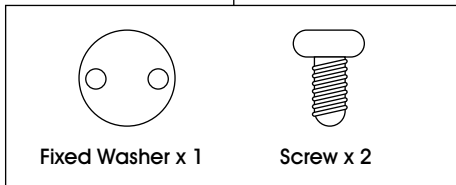


Allen Wrench
(included)

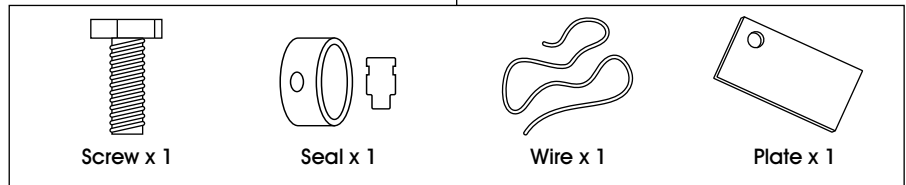


PARTS

Pan Installation Hardware



Sealing Hardware (See "Legal For Trade" on page 8)



SAFETY



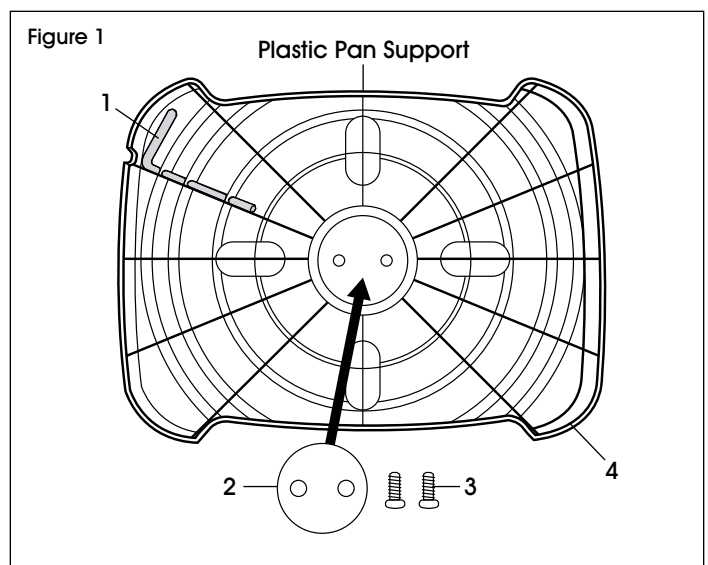
WARNING! Disconnect all power to this unit before installing, cleaning or servicing. Failure to do so could result in bodily harm or damage to the unit.

- Only qualified persons should service this scale.
- Do not place the scale in direct sunlight.
- Verify voltage and receptacle type are correct for the scale.
- Do not use any other type of power adaptor than the one designed for this scale.
- Pluggable equipment must be installed near an easily accessible socket outlet.
- Avoid unstable power sources. Do not use near large users of electricity, such as welding equipment or large motors.
- Avoid sudden temperature changes, vibration, wind and water.
- Avoid heavy radio frequency noise.
- Keep the scale clean.

SETUP

PAN INSTALLATION

1. Remove stainless steel pan and plastic pan support from carton.
2. Pull wrench (1) out from plastic pan support (4). (See Figure 1)
3. Place fixed washer (2) on the center of plastic pan support (4).
4. Secure fixed washer (2) with two screws (3).
5. Put the plastic pan support on the scale base.
6. Use the wrench (1) to tighten the screws (3).
7. Replace wrench (1) into slot in plastic pan support (4).

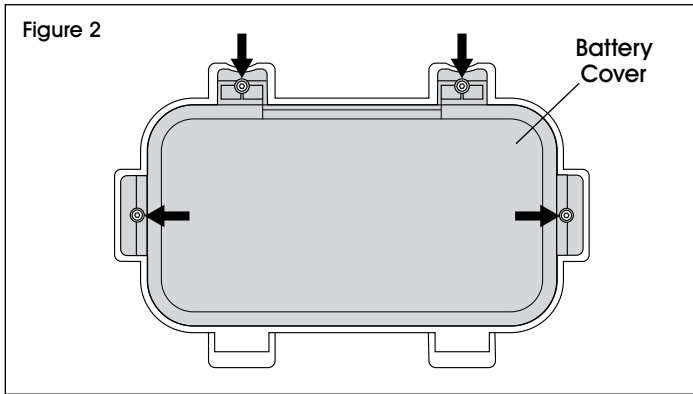


SETUP CONTINUED

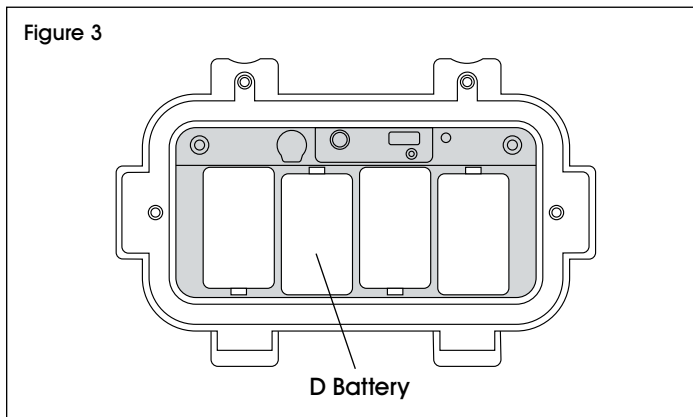
POWER

BATTERY POWER

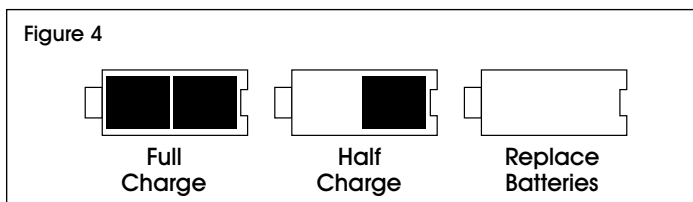
1. Remove four screws with included wrench and open battery cover at the bottom side of the scale. (See Figure 2)



2. Insert four D alkaline batteries into battery compartment. (See Figure 3)



3. Replace battery cover and secure with previously removed screws and provided wrench.
4. When operating on battery power, the display will show charge status. (See Figure 4)



AC ADAPTOR (SOLD SEPARATELY)

Adaptor connects into AC power socket. Verify that the AC power socket outlet is properly protected.



IMPORTANT! Pluggable equipment must be installed near an easily accessible socket outlet with a protective ground/earth contact.

1. Pull out the rubber plug of adaptor jack and insert it into the plastic bump. (See Figure 5)

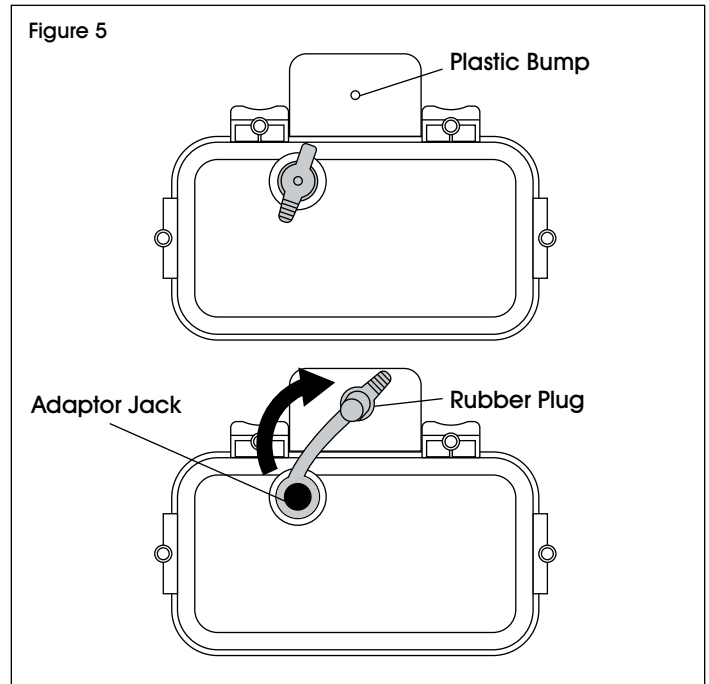


NOTE: The adaptor jack is located on the underside of the scale.

2. Connect the adaptor pin into the adaptor jack. (See Figure 5)



NOTE: When the adaptor is plugged in, display will show constant full charge.



IMPORTANT! Disconnect AC adaptor and insert rubber plug before cleaning.



NOTE: No IP rating when rubber plug is open and scale is plugged into outlet with AC adaptor.

SETUP CONTINUED

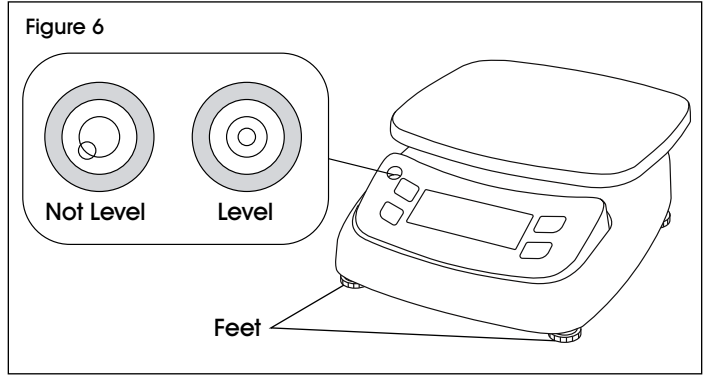
LEVELING DEVICE

The level bubble is used to level the scale. It is located left of the display. (See Figure 6)

Adjust feet on underside of scale until bubble is centered. (See Figure 6)

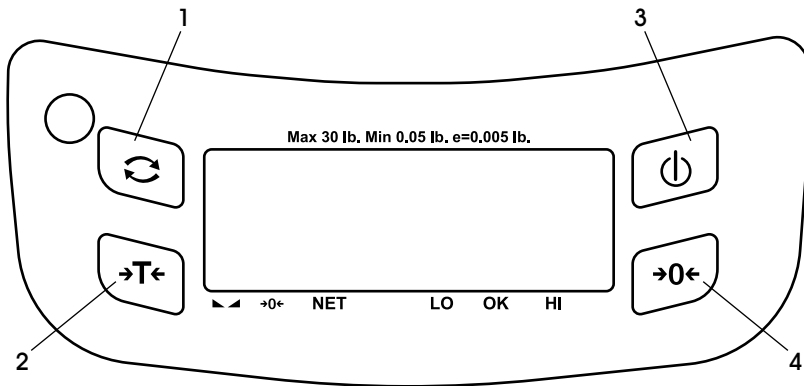
 **NOTE:** Bubble must be in the center of the water level.

 **IMPORTANT!** Check bubble regularly to ensure a correct level reading. Correct if necessary.



OVERVIEW OF CONTROLS

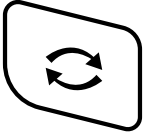
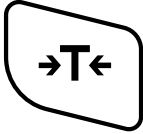
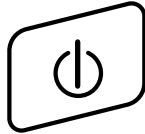
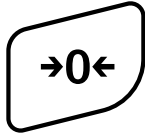
CONTROL PANEL






CONTROL PANEL PARTS

#	DESCRIPTION
1	Next Button
2	Tare Button
3	Power Button
4	Zero Button

BUTTON FUNCTIONS

BUTTON				
FUNCTION	<p>NEXT</p> <p>Used to change the weighing units.</p> <p>Used to scroll menu down in setting mode.</p> <p>Long press to exit the menu.</p>	<p>TARE</p> <p>Subtracts the tare values.</p> <p>Long press to enter parts counting mode.</p> <p>Used to scroll menu up in setting mode.</p>	<p>POWER</p> <p>Press to turn scale on.</p> <p>Long press to turn scale off.</p> <p>Used as exit button in setting mode.</p>	<p>ZERO</p> <p>Nexts display to zero.</p> <p>Long press to enter limits setting mode.</p> <p>Used as enter button in setting mode.</p>

INDICATORS

		NET	LO/OK/HI		lb
Zeroing	Stable	Net weight	Indication for check weighing	Low battery (Appears on display)	Current weight unit (Appears on display)

INITIAL STARTUP

Warm-up time of 15 minutes stabilizes the measured values after switching on.

TURNING THE SCALE ON/OFF

Press **POWER** button to turn scale on. On power-up, display shows the application software version. Press **TARE** button to display the legal software version. The display is switched on. To switch off, long press **POWER** button again.

ZEROING

Environmental conditions can lead to a balance of exactly zero despite the pan not taking any strain. However, you can set the display of your balance to zero any time by pressing **ZERO** button to ensure weighing starts at zero.

TARING

Tare any container to ensure subsequent weighing will display the net weight of the object being weighed.

1. Load weight on the pan.
2. Press **TARE** button. Zero is displayed, and tare is subtracted.
3. Remove weight from the platform. Tared weight is displayed. Only one tare value can be set. It is displayed with a negative value.
4. Press **TARE** button. Zero is displayed, tare weight is cleared.

PARTS COUNTING

In weighing mode, parts counting mode can be enabled.

1. Place the parts (pieces) on the pan. Items must be placed according to parts options.
2. Long press the **TARE** button. Display shows *P 10*. Select the parts options by pressing **TARE** button. Parts options are: *P 10, P 20, P 50, P 100, P 200*.
3. Press **ZERO** button when the displayed number matches the number of items used in the sample.
4. Scale will store the pieces according to the items.
5. Add more pieces to the pan, and the display will show the pieces according to the stored items.
6. Long press the **NEXT** button to exit parts counting mode.

POWER AUTO OFF

Scale can be set to turn off automatically after a set period of inactivity.

1. Press **NEXT** button during startup.
2. Press **TARE** button until display shows *F3 AOF*.
3. Press **ZERO** button to enter.
4. Press **TARE** button to select the sub menu options.
5. Press **ZERO** button to confirm.
6. Long press **NEXT** button to go back to normal weighing mode.

DISPLAY	DESCRIPTION
<i>OFF*</i> (default)	Set to turn off the auto off function.
<i>OF 3</i>	Set to turn off after three minutes of inactivity.
<i>OF10</i>	Set to turn off after 10 minutes of inactivity.
<i>OF15</i>	Set to turn off after 15 minutes of inactivity.
<i>OF30</i>	Set to turn off after 30 minutes of inactivity.

BACKLIGHT SETTING

Backlight can be set to off, low, medium or high. Backlight is active when scale is in use or when weight is not zero.

1. Press **NEXT** button during startup.
2. Press **TARE** button until display shows *F2 BL*.
3. Press **ZERO** button to enter.
4. Press **TARE** button to select the sub menu options.
5. Press **ZERO** button to confirm.
6. Long press **NEXT** button to go back to normal weighing mode.

DISPLAY	DESCRIPTION
<i>B1 OF</i>	Backlight function set to turned off.
<i>B1 RU1</i>	Backlight set to low light.
<i>B1 RU2</i>	Backlight set to medium light.
<i>B1 RU3</i>	Backlight set to high light.

OPERATION CONTINUED

LIMITS SETTING

1. Long press **ZERO** button. Display will show 00.0000 (High limits set) and the triangle symbol above the HI indicator appears.
2. Press **TARE** button to change the value. Press **NEXT** button to shift location.
3. When shifted to last digit, press **ZERO** button to confirm value.
4. Display will show 00.0000 (Low limits set) and the triangle symbol above the LO indicator appears.
5. Press **TARE** button to change the value. Press **NEXT** button to shift location.
6. Press **ZERO** button to confirm and come back to the weighing mode.

LIMITS INDICATORS

- When the weight is below the low limits, the triangle symbol above the LO indicator appears.
- When the weight is between the limits, the triangle symbol above the OK indicator appears.
- When the weight exceeds the high limits, the triangle symbol above the HI indicator appears.

PARAMETERS

KEYS IN MENU

ENTER MENU

1. Press the **POWER** button to turn on scale.
2. Press the **NEXT** button during the startup, or long press the **NEXT** button in the normal weighing mode.

ENTER SELECTED MENU

Press the **ZERO** button to enter display menu.

SELECT MENU

Press **TARE** button to scroll up and **NEXT** button to scroll down.

ESCAPE FROM MENU

Long press **NEXT** button or press **POWER** button to escape from current menu.

To access settings F0CAL, F6RES, F7Gra, F8cap and 9AP, press the calibration switch before operating.



NOTE: The calibration switch is located on the bottom of the scale.

MENU	DESCRIPTION	
F0 CAL	CAL	Normal calibration.
	L-IN2	Linear calibration.
	L-IN3	
	L-IN6	
F1 UNIT (LB)	ON	Set weighing units.
	OFF	
F2 BL	BI OF	Set backlight function off.
	BI AU1*	Set backlight function on.
	BI AU2	Set the luminance of backlight.
	BI AU3	
F3 Aof	OFF*	Set automatic turn-off time.
	Of 3	
	Of 10	
	Of 15	
	Of 30	
F4 inp	To show the internal counts.	
F5 spd	LOW	Set the AD speed.
	MID	
	HIGH	

* Default setting

PARAMETERS CONTINUED

MENU	DESCRIPTION	
F6 RES	3,000	To set resolution.
	6,000*	
	Dual-i	
	15,000	
	30,000	
F7 Gra	9.79640	To set the local gravity.
F8 cap	6 lb.	To set the capacity.
	12 lb.	
	30 lb.	
	60 lb.	
F9 AP	NO	Non-Approval
	OIML	OIML approval
	NTEP*	NTEP approval
FA TARE	OFF	To disable the multi-tare operation.
	ON*	To enable the multi-tare operation.
FB s-Uw	OFF*	Disable function to save unit weight in parts counting.
	ON	Enable function to save unit weight in parts counting.
FC slep	off*	Disable sleep mode.
	OF 10	Enter sleep mode after 10 minutes with no weight changes or key presses.
	OF 20	Enter sleep mode after 20 minutes with no weight changes or key presses.
	OF 30	Enter sleep mode after 30 minutes with no weight changes or key presses.

* Default setting

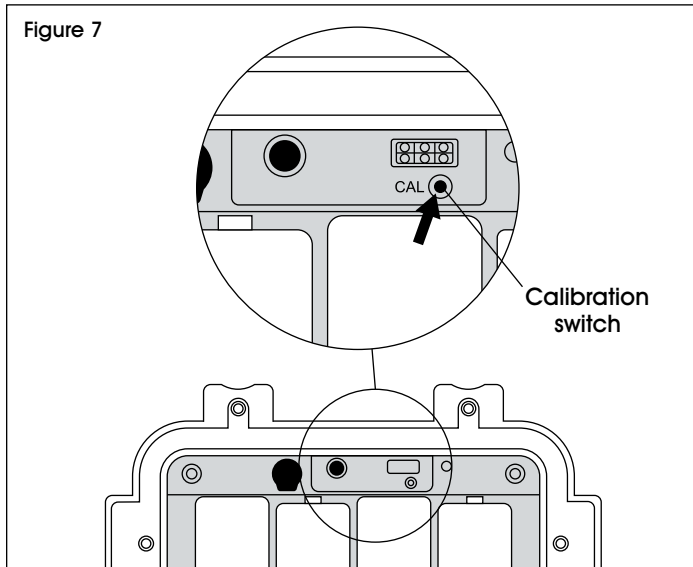
CALIBRATION



IMPORTANT! To ensure the accuracy of the scale, it is required to linear calibrate before normal calibration.

LINEAR CALIBRATION

1. Turn on the scale. Press **NEXT** button during startup. Display will show *FD CAL*.
2. Remove screws on bottom of scale with provided wrench, and open the battery cover.
3. Press the calibration switch with a long pin or similar object. (See Figure 7)



4. Press **ZERO** button to confirm and display will show *CAL*.
5. Press **TARE** button to select linear point *1-1/2*.
6. Press **ZERO** button to confirm and display will show *UNLOAD*.
7. Ensure the pan is empty when the "STABLE" indicator is on.
8. After six seconds, display will show 1/2 of the capacity.
9. Place the first calibration weight (1/2 of the capacity) on the pan.
10. After six seconds, display will show 1/2 of the capacity.

11. Remove the first calibration weight (1/2 of the capacity) from the pan.
12. Place the second calibration weight (full capacity) on the pan.
13. After six seconds, display will show *UNLOAD*.
14. Place the second calibration weight (full capacity) on the pan.
15. After six seconds, display will show 1/2 of the capacity.
16. Remove the second calibration weight (full capacity) from the pan.
17. Place the first calibration weight (1/2 capacity) on the pan.
18. After six seconds, display will show *UNLOAD*.
19. Remove the first calibration weight (1/2 capacity) from the pan.
20. After three seconds, scale will show *-pass-* and return to setting mode.

LINEAR CALIBRATION WEIGHT	2 POINTS
RECOMMENDED RESOLUTION	1/6,000
LOAD 0	UNLOAD
LOAD 1	1/2 MAX
LOAD 2	FULL MAX
LOAD 3	UNLOAD
LOAD 4	FULL MAX
LOAD 5	1/2 MAX
LOAD 6	UNLOAD

MODEL	H-11925	H-11926
RESOLUTION	1/6,000	1/6,000
LOAD 0	UNLOAD	UNLOAD
LOAD 1	6 lbs.	15 lbs.
LOAD 2	12 lbs.	30 lbs.
LOAD 3	UNLOAD	UNLOAD
LOAD 4	12 lbs.	30 lbs.
LOAD 5	6 lbs.	15 lbs.
LOAD 6	UNLOAD	UNLOAD

CALIBRATION CONTINUED

NORMAL CALIBRATION

1. Turn on the scale. Press **NEXT** button during startup. Display will show *FB CRL*.
2. Remove screws on bottom of scale with provided wrench, and open the battery cover.
3. Press the calibration switch with a long pin or similar object.
4. Press **ZERO** button to confirm and display will show *CRL*.
5. Press **ZERO** button to confirm and display will show *UNLOAD*.
6. Ensure the pan is empty when the "STABLE" indicator is on.
7. Display will show full capacity calibration weight.
8. Place the weight on the platter.
9. Once the stable indicator is shown on the display, the display will show *PASS* and return to setting mode. Press **POWER** button to return to weighing mode.



NOTE: If the display shows any error message or incorrect measurement, repeat the calibration.

10. Turn off scale and place cover back onto scale.

MODEL	FULL CAPACITY WEIGHT IN LB. MODE
H-11925	12 lbs
H-11926	30 lbs.

LEGAL FOR TRADE

When the scale is used in trade or a legally controlled application, it must be set up, verified and sealed in accordance with local weights and measures regulations. It is the responsibility of the purchaser to ensure that all pertinent legal requirements are met.

"Sealing Hardware" is used for this application.

VERIFICATION

The local weights and measures official or authorized service agent must perform the verification procedure.

SEALING

The local weights and measures official or authorized service agent must apply the security seal to prevent tampering with the settings.

MAINTENANCE

PREVENTIVE MAINTENANCE

- Switch off and unplug the device before cleaning.
- Do not open the rubber plug during cleaning.
- Ensure that no fluids get inside the device.
- Do not use organic acid, alkaline solutions, scouring powders or plastic-dissolving cleaning agents for cleaning.
- Do not spray corrosive liquid directly on the device.
- Avoid strong pressure or scratching the surface with hard, sharp or pointed objects.

CLEANING HOUSING

- To clean device housing, use a soft, clean cloth dampened with a mild cleaner and water.
- After cleaning, plug the scale back in or install the dry batteries and turn it on.

BATTERY MAINTENANCE

- Do not use any other type of power adaptor than the one designed for this scale.
- If the scale is not used for an extended period, remove batteries from the battery compartment to avoid leakage.
- Store batteries in a dry, temperate environment.

TROUBLESHOOTING

ERROR CODES

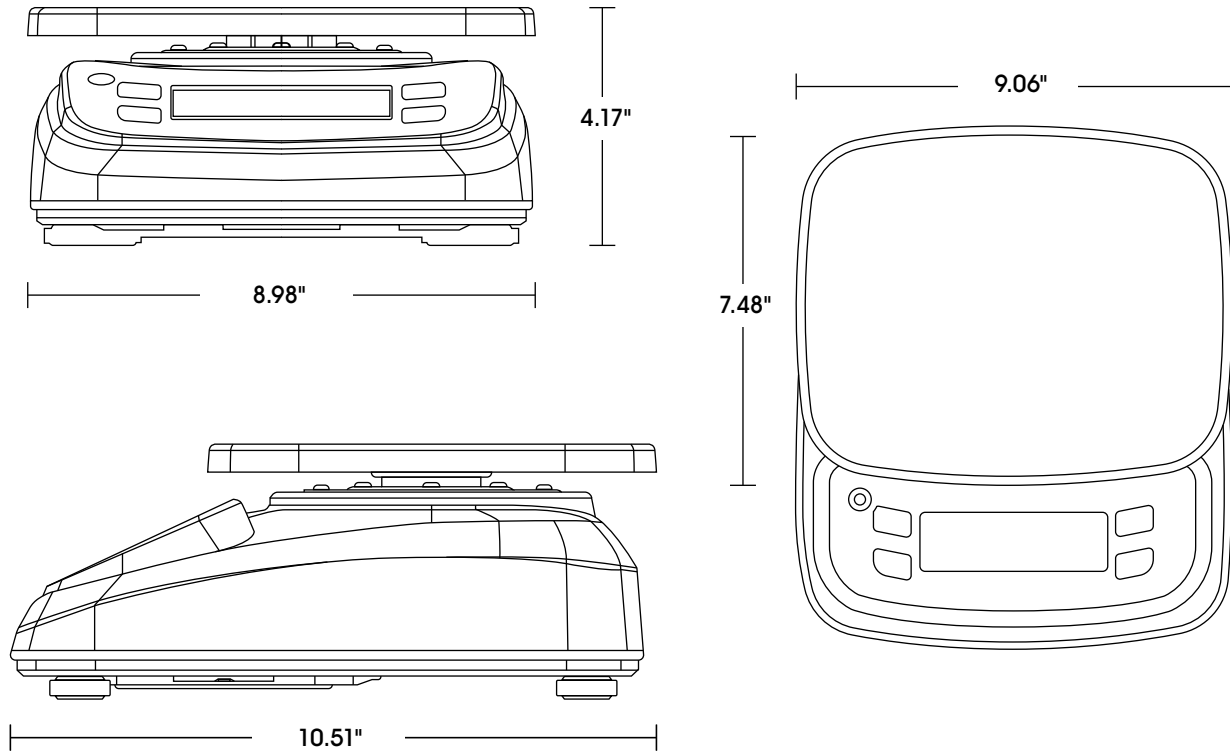
ERROR MESSAGE	DESCRIPTION	SOLUTION
<i>Err 4</i>	Zero setting error.	Zero setting range exceeded due to switching on. (4% max) Ensure platform is empty.
<i>Err 5</i>	A/D value out of range.	Ensure platform is empty and that pan is installed properly. Check the load cell connectors.
<i>Err 7</i>	Sample error.	Check the load weight. (Sample weight must be more than 20d.)
<i>Err 19</i>	Initialize zero error.	Calibrate the scale.
<i>--o!--</i>	Over range.	Remove the load. Recalibrate.
<i>--u!--</i>	Under-load.	Remove weight, check the platform and restart or calibrate.

OPERATING ISSUE	CAUSES	RECOMMENDATIONS
Cannot turn on power.	Main power is turned off. Power supply is not plugged in. Power supply faulty. Display is turned off. Dead batteries.	Check that the power switch is turned on and power LED is working. Verify the voltage going to the scale matches the power supply labels on the power module or scale. Replace batteries.
Display is unstable.	Air variation. Pan is in contact. Sample is moving (animal weighing). Vibrations from table. Dramatic temperature change. Power supply/battery faulty.	Verify the scale is in an acceptable location and on a good table/surface. Verify the power supply is correct for the scale.
Weight value incorrect.	Calibration error. Linearity error, linearity calibrated with inaccurate weights. Balance not leveled. Some materials between the sample and pan. Wrong weighing unit displayed.	Recalibrate. Pay attention to the test weight used, the stability of the scale and the required weighing unit. If required, perform linear calibration. Check that pan is installed correctly. Verify scale is in an acceptable location.

TROUBLESHOOTING CONTINUED

OPERATING ISSUE	CAUSES	RECOMMENDATIONS
Cannot use full capacity.	<p>Overload stopper touching pan support or bottom of the load cell.</p> <p>Transportation lock not removed.</p> <p>A/D circuit problem.</p> <p>Parameters set incorrectly.</p> <p>Load cell or mechanics damaged.</p>	<p>Check for objects under the pan or load cell.</p> <p>Confirm transportation lock is removed.</p> <p>Verify pan installation.</p> <p>Check the weighing units used.</p>
Not linear.	<p>Overload stopper touching load cell or mechanics damaged.</p> <p>A/D damaged.</p>	<p>Check for objects under the pan or load cell.</p> <p>Confirm transportation lock is removed.</p> <p>Verify pan installation.</p> <p>Recalibrate and linear calibrate with ideal standard weights.</p>
Off center loading error.	<p>Adjust mechanism.</p> <p>Overload stops not correct.</p> <p>Load cell damaged.</p>	<p>Check for objects under the pan or load cell.</p> <p>Confirm transportation lock is removed.</p> <p>Verify pan installation.</p> <p>Ensure load cell fixed correctly.</p>

DIMENSIONS



SPECIFICATIONS

MODEL	H-11925	H-11926
Capacity	12 lb.	30 lb.
Readability	0.002 lb.	0.005 lb.
Minimum Capacity	0.04 lb.	0.1 lb.
Resolution	1/6,000	
Enclosure	304 Stainless Steel	
Display	6 Digits 0.98" Height LCD with 3 Color LED Backlight	
Operating Temperature	14°F – 104°F	
Weighing Units	lb.	
Button Pad	4 buttons – Mechanical Keyboard	
Pan Size	304 Stainless Steel Pan 7.5 x 9.1"	
Power Supply	Four 1.5 V D-size Alkaline Batteries	
Dimension (W x D x H)	9.0 x 10.5 x 4.2"	
Net Weight	6.6 lb.	
Gross Weight	8.8 lb.	

ULINE

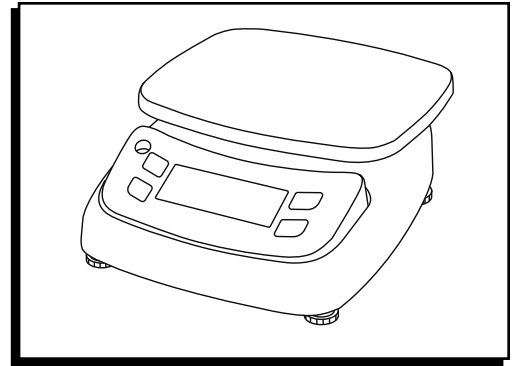
1-800-295-5510
uline.com

ULINE H-11925, H-11926

BÁSCULA IMPERMEABLE PARA ALIMENTOS

800-295-5510

uline.mx



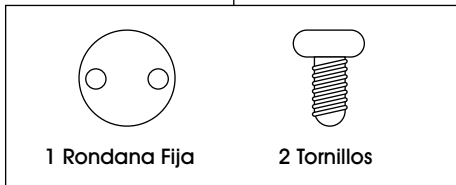
HERRAMIENTA NECESARIA



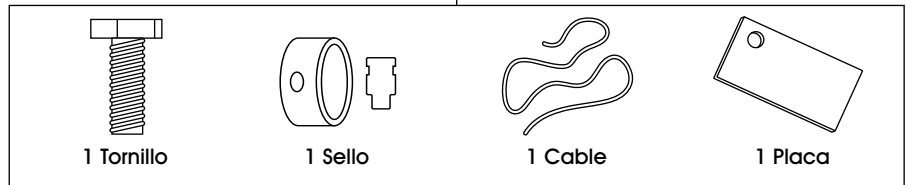
Llave Allen
(incluida)

PARTES

Tornillería de Instalación de la Bandeja



Tornillería de Sellado (Vea "Legal para el Comercio" en la página 19)



SEGURIDAD



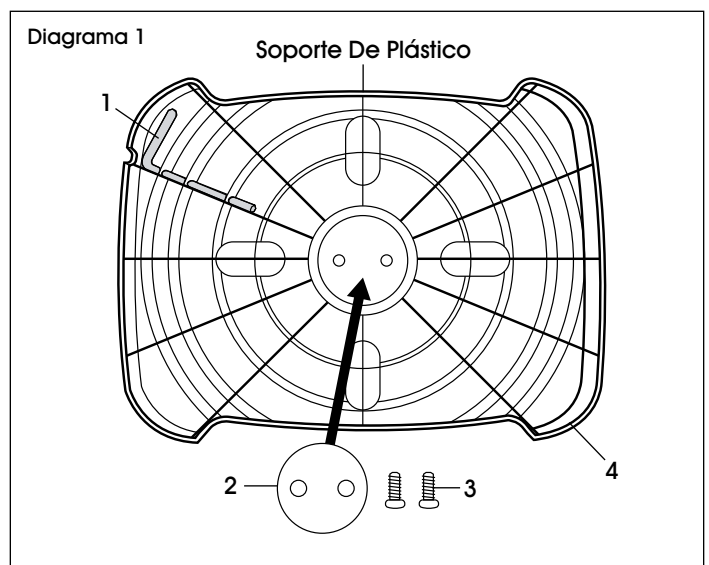
¡ADVERTENCIA! Desconecte del tomacorriente antes de instalar, limpiar o dar mantenimiento a la unidad. No hacerlo podría resultar en lesiones personales o daño a la unidad.

- Solo personal de servicio calificado debe dar mantenimiento a esta báscula.
- No coloque la báscula bajo la luz directa del sol.
- Verifique que el tipo de voltaje y de enchufe sean correctos para la báscula.
- Utilice únicamente el adaptador de corriente suministrado con la báscula.
- El equipo se debe instalar cerca de un tomacorriente de fácil acceso.
- Evite usar fuentes de alimentación inestables. No utilice cerca de aparatos que consuman mucha electricidad, como equipo de soldadura o motores grandes.
- Evite los cambios de temperatura repentinos, vibraciones, viento y agua.
- Evite la interferencia de radiofrecuencias.
- Mantenga la báscula limpia.

CONFIGURACIÓN

INSTALAR LA PLATAFORMA

1. Retire la plataforma de acero inoxidable y el soporte de plástico de la caja.
2. Saque la llave allen (1) del soporte de plástico (4). (Vea Diagrama 1)
3. Coloque la rondana fija (2) en el centro del soporte de plástico (4).
4. Asegure la rondana fija (2) con dos tornillos (3).
5. Coloque el soporte de plástico en la base de la báscula.
6. Utilice la llave (1) para apretar los tornillos (3).
7. Vuelva a colocar la llave (1) en la ranura del soporte de plástico (4).

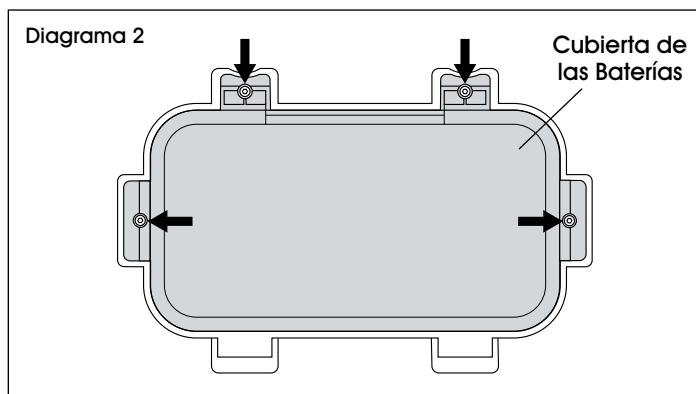


CONTINUACIÓN DE CONFIGURACIÓN

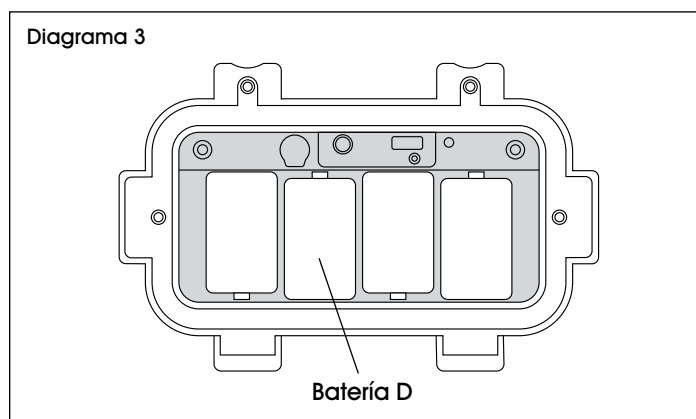
ENERGÍA

ALIMENTACIÓN POR BATERÍA

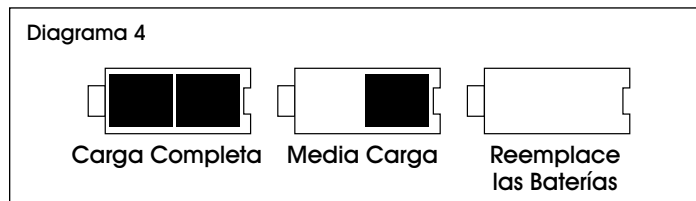
1. Retire los cuatro tornillos con la llave incluida y abra la cubierta en el lado inferior de la báscula. (Vea Diagrama 2)



2. Inserte cuatro baterías alcalinas D en el compartimento de la batería. (Vea Diagrama 3)



3. Coloque nuevamente la cubierta de las baterías y asegure con los tornillos que retiró y la llave proporcionada.
4. Al funcionar con baterías, la pantalla mostrará el estatus de carga. (Vea Diagrama 4)



ADAPTADOR DE ALIMENTACIÓN EXTERNO (SE VENDE POR SEPARADO)

El adaptador se conecta en el tomacorriente AC. Verifique que el tomacorriente AC esté debidamente protegido.



iIMPORTANTE! El equipo se debe instalar cerca de un tomacorriente de fácil acceso con conexión a tierra.

1. Retire el tapón de caucho del enchufe para adaptador e insértelo en el tope de plástico. (Vea Diagrama 5)

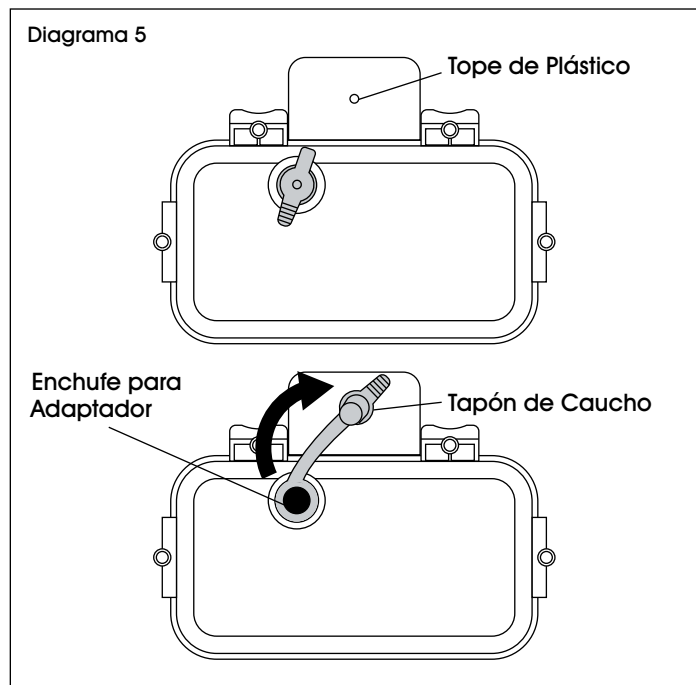


NOTA: El enchufe para adaptador se ubica en la parte inferior de la báscula.

2. Conecte el pasador del adaptador en el enchufe para adaptador. (Vea Diagrama 5)



NOTA: Cuando el adaptador esté conectado, la pantalla mostrará carga completa constante.



iIMPORTANTE! Desconecte el adaptador AC e inserte el tapón de caucho antes de limpiar.



NOTA: Sin clasificación IP cuando el tapón de caucho está abierto y la báscula se encuentra conectada al tomacorriente con un adaptador AC.


CONTINUACIÓN DE CONFIGURACIÓN

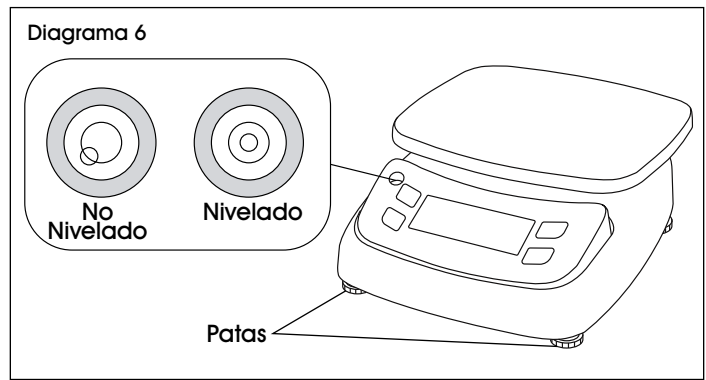
DISPOSITIVO DE NIVELACIÓN

La burbuja de nivelación se utiliza para nivelar la báscula. Se ubica a la izquierda de la pantalla. (Vea Diagrama 6)

Ajuste las patas en la parte inferior de la báscula hasta que la burbuja quede en el centro. (Vea Diagrama 6)

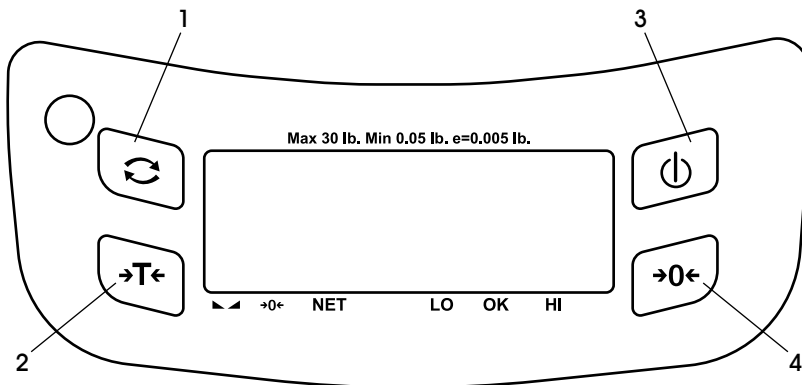
 **NOTA:** La burbuja debe estar en el centro del nivel.

 **¡IMPORTANTE!** Verifique la burbuja regularmente para asegurar una lectura correcta del nivel. Corrija de ser necesario.



RESUMEN DE CONTROLES

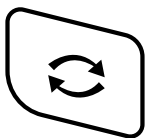
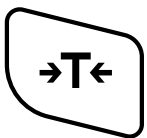
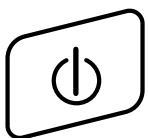
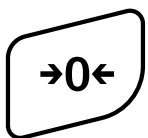
PANEL DE CONTROL





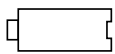
PARTES DEL PANEL DE CONTROL

#	DESCRIPCIÓN
1	Botón de Siguiente
2	Botón de Tara
3	Botón de Encendido
4	Botón de Cero

FUNCIONES DE LOS BOTONES

BOTÓN				
FUNCIÓN	<p>NEXT (SIGUIENTE)</p> <p>Se utiliza para cambiar las unidades de pesaje.</p> <p>Se utiliza para desplazar el menú hacia abajo en el modo de ajustes.</p> <p>Presione de forma prolongada para salir del menú.</p>	<p>TARE (TARA)</p> <p>Sustra los valores de tara.</p> <p>Presione de forma prolongada para ingresar al modo de conteo de partes.</p> <p>Se utiliza para desplazar el menú hacia arriba en el modo de ajustes.</p>	<p>POWER (ENCENDIDO)</p> <p>Presione para encender la báscula.</p> <p>Presione de forma prolongada para apagar la báscula.</p> <p>Utilice como botón de salida en el modo de ajustes.</p>	<p>ZERO (CERO)</p> <p>Adelanta la pantalla a cero.</p> <p>Presione de forma prolongada para ingresar al modo de ajuste de límites.</p> <p>Utilice como botón de entrada en el modo de ajustes.</p>

INDICADORES

		NET	LO/OK/HI		lb
Puesta en cero	Estable	Peso neto	Indicación para verificación de peso	Batería baja (Aparece en pantalla)	Unidad de peso actual (Aparece en pantalla)

ENCENDIDO INICIAL

El tiempo de calentamiento de 15 minutos estabiliza los valores medidos luego de encender.

ENCENDER/APAGAR LA BÁSCULA

Presione el botón de **POWER** (encendido) para encender la báscula. Al encender, la pantalla muestra la versión del software de la aplicación. Presione el botón de **TARE** (tara) para mostrar la versión del software legal. La pantalla se enciende. Para apagar, presione de forma prolongada de nuevo el botón de **POWER**.

PUESTA EN CERO

Las condiciones ambientales pueden causar un balance de exactamente cero a pesar de que la plataforma no tenga carga. Sin embargo, puede poner la pantalla de su balance en cero en cualquier momento presionando el botón de **ZERO** (cero) para asegurarse de que el pesaje comience en cero.

TARA

Tara cualquier contenedor para asegurar que el pesaje subsecuente mostrará el peso neto del objeto pesado.

1. Cargue el peso en la plataforma.
2. Presione el botón de **TARE** (tara). Aparece el cero en la pantalla y la tara será sustraída.
3. Retire el peso de la plataforma. El peso de tara aparece. Solo se puede fijar un valor de tara. Aparece en pantalla con valor negativo.
4. Presione el botón de **TARE**. El cero aparece en pantalla, el peso de tara se borra.

CONTEO DE PARTES

En el modo de pesaje, el modo de conteo de partes se puede activar.

1. Coloque las partes (piezas) en la charola. Los artículos se deben colocar según las opciones de partes.
2. Presione de forma prolongada el botón de **TARE** (tara). La pantalla muestra **P 10**. Seleccione las opciones de partes presionando el botón de **TARE**. Las opciones de partes son: **P 10**, **P 20**, **P 50**, **P 100**, **P 200**.
3. Presione el botón de **ZERO** (cero) cuando el número en pantalla coincide con el número de artículos utilizados en la muestra.
4. La báscula almacenará las piezas según los artículos.
5. Añada más piezas a la charola y la charola mostrará las piezas según los artículos almacenados.
6. Presione de forma prolongada el botón de **NEXT** (siguiente) para salir del modo de conteo de partes.

APAGADO AUTOMÁTICO

La báscula se puede fijar para apagarse automáticamente después de un periodo de inactividad establecido.

1. Presione el botón de **NEXT** (siguiente) durante el encendido.
2. Presione el botón de **TARE** (tara) hasta que la pantalla muestre **F3 ADF**.
3. Presione el botón de **ZERO** (cero) para ingresar.
4. Presione el botón de **TARE** para seleccionar las opciones de submenú.
5. Presione el botón de **ZERO** para confirmar.
6. Presione de forma prolongada el botón de **NEXT** para volver al modo de pesaje normal.

PANTALLA	DESCRIPCIÓN
<i>OFF*</i> (predeterminado)	Desactivar la función de apagado automático.
<i>DF 3</i>	Ajusta el apagado luego de tres minutos de inactividad.
<i>DF10</i>	Ajusta el apagado luego de 10 minutos de inactividad.
<i>DF15</i>	Ajusta el apagado luego de 15 minutos de inactividad.
<i>DF30</i>	Ajusta el apagado luego de 30 minutos de inactividad.

AJUSTE DE LA LUZ DE FONDO

La luz de fondo se puede ajustar a apagado, bajo, mediano o alto. La luz de fondo está activa cuando la báscula está en uso o cuando el peso no está en cero.

1. Presione el botón de **NEXT** (siguiente) durante el encendido.
2. Presione el botón de **TARE** (tara) hasta que la pantalla muestre **F2 BL**.
3. Presione el botón de **ZERO** (cero) para ingresar.
4. Presione el botón de **TARE** para seleccionar las opciones de submenú.
5. Presione el botón de **ZERO** para confirmar.
6. Presione de forma prolongada el botón de **NEXT** para volver al modo de pesaje normal.

PANTALLA	DESCRIPCIÓN
<i>B1 DF</i>	La función de luz de fondo se apagará.
<i>B1 RU1</i>	La luz de fondo se ajusta a baja.
<i>B1 RU2</i>	La luz de fondo se ajusta a mediana.
<i>B1 RU3</i>	La luz de fondo se ajusta a alta.

CONTINUACIÓN DE FUNCIONAMIENTO

AJUSTE DE LÍMITES

1. Presione de forma prolongada el botón de **ZERO** (cero). La pantalla mostrará 00.0000 (Límites altos fijados) y aparece el símbolo de triángulo sobre el indicador HI.
2. Presione el botón de **TARE** (tara) para cambiar el valor. Presione el botón de **NEXT** (siguiente) para cambiar la ubicación.
3. Cuando se cambia al último dígito, presione el botón de **ZERO** para confirmar el valor.
4. La pantalla mostrará 00.0000 (Límites bajos fijados) y aparece el símbolo de triángulo sobre el indicador LO.
5. Presione el botón de **TARE** para cambiar el valor. Presione el botón de **NEXT** para cambiar la ubicación.
6. Presione el botón de **ZERO** para confirmar y volver al modo de pesaje.

INDICADORES DE LÍMITES

- Cuando el peso está debajo de los límites bajos, aparece el símbolo de triángulo sobre el indicador LO.
- Cuando el peso está entre los límites, aparece el símbolo de triángulo sobre el indicador OK.
- Cuando el peso excede los límites altos, aparece el símbolo de triángulo sobre el indicador HI.

PARÁMETROS

TECLAS EN EL MENÚ

MENÚ DE ENTRADA

1. Presione el botón de **POWER** (encendido) para encender la báscula.
2. Presione el botón **NEXT** (siguiente) durante el inicio o presione de forma prolongada **NEXT** en el modo de peso normal.

SELECCIONE EL MENÚ

Presione el botón de **TARE** (Tara) para navegar hacia arriba y **NEXT** (siguiente) para navegar hacia abajo.

SELECCIONE EL MENÚ

Presione el botón de **TARE** para navegar hacia arriba y **NEXT** para navegar hacia abajo.

SALIR DEL MENÚ

Presione de forma prolongada el botón **NEXT** o presione el botón de **POWER** para salir del menú actual.

Presione el interruptor de calibración antes de hacerla funcionar para acceder a los ajustes F0CAL, F6RES, F7Gra, F8cap y 9AP.



NOTA: El interruptor de calibración se ubica en la parte inferior de la báscula.

MENÚ	DESCRIPCIÓN	
F0 CAL	CAL	Calibración Normal.
	L-IN2	Calibración Lineal.
	L-IN3	
	L-IN6	
F1 UNIT (LB)	ON (Encendido)	Configure las unidades de pesaje.
	OFF (Apagado)	
F2 BL	BI OF	Desactive la función de retroiluminación.
	BI AU1*	Active la función de retroiluminación.
	BI AU2	Ajuste la luminosidad de la retroiluminación.
	BI AU3	
F3 Aof	OFF* (Apagado)	Ajuste el tiempo de apagado automático.
	De 3	
	De 10	
	De 15	
	De 30	
F4 inp	Para mostrar los conteos internos.	

* Ajuste predeterminado

CONTINUACIÓN DE PARÁMETROS

MENÚ	DESCRIPCIÓN	
F5 spd	BAJO	Fije la Velocidad AD.
	MEDIO	
	ALTO	
F6 RES	3,000	Para ajustar la resolución.
	6,000*	
	Dual-i	
	15,000	
	30,000	
F7 Gra	9.79640	Para ajustar la gravedad local.
F8 cap	6 lbs.	Para ajustar la capacidad.
	12 lbs.	
	30 lbs.	
	60 lbs.	
F9 AP	NO	Sin aprobación
	OIML	Aprobada por OIML
	NTEP*	Aprobada por NTEP
FA TARE (TARA)	OFF (Apagado)	Para desactivar la función de multitara.
	ON (Encendido)	Para activar la función de multitara.
FB s-Uw	OFF* (Apagado)	Desactiva la función para guardar la unidad de peso en el conteo de partes.
	ON (Encendido)	Activa la función para guardar la unidad de peso en el conteo de partes.
FC slep	off* (Apagado)	Desactiva el modo de reposo.
	DE 10	Entra en modo reposo después de 10 minutos sin peso o sin presionar teclas.
	DE 20	Entra en modo reposo después de 20 minutos sin peso o sin presionar teclas.
	DE 30	Entra en modo reposo después de 30 minutos sin peso o sin presionar teclas.

* Ajuste predeterminado

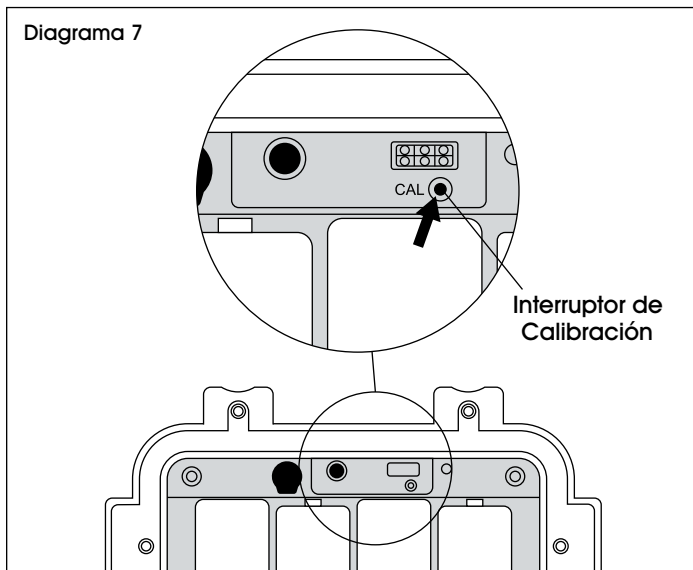
CALIBRACIÓN



¡IMPORTANTE! Para asegurar la precisión de la báscula, es necesario realizar una calibración lineal antes de la calibración normal.

CALIBRACIÓN LINEAL

1. Encienda la báscula. Presione el botón de **NEXT** (siguiente) durante el encendido. La pantalla mostrará **FD CAL**.
2. Retire los tornillos que se encuentran debajo de la báscula con la llave incluida y abra la tapa de las baterías.
3. Presione el interruptor de calibración con un alfiler o un objeto similar. (Vea Diagrama 7)



4. Presione el botón de **ZERO** (cero) para confirmar y la pantalla mostrará **CAL**.
5. Presione el botón de **TARE** (tara) para seleccionar el punto lineal *lineal*.
6. Presione el botón de **ZERO** para confirmar y la pantalla mostrará **UNLOAD**.
7. Asegúrese de que la bandeja esté vacía y el indicador "STABLE" esté encendido.
8. Después de seis segundos, la pantalla mostrará la mitad de la capacidad.
9. Coloque la primera pesa de calibración (la mitad de la capacidad) en la bandeja.
10. Después de seis segundos, la pantalla mostrará la mitad de la capacidad.
11. Retire la primera pesa de calibración (la mitad de la capacidad) de la bandeja.

12. Coloque la segunda pesa de calibración (de capacidad total) en la bandeja.
13. Después de seis segundos, la pantalla mostrará **UNLOAD**.
14. Coloque la segunda pesa de calibración (de capacidad total) en la bandeja.
15. Después de seis segundos, la pantalla mostrará la mitad de la capacidad.
16. Retire la segunda pesa de calibración (de capacidad total) de la bandeja.
17. Coloque la primera pesa de calibración (de la mitad de la capacidad) en la bandeja.
18. Después de seis segundos, la pantalla mostrará **UNLOAD**.
19. Retire la primera pesa de calibración (de la mitad de la capacidad) de la bandeja.
20. Después de tres segundos, la báscula mostrará **-PASS-** y regresará al modo de ajuste.


PESO DE CALIBRACIÓN LINEAL	2 PUNTOS
RESOLUCIÓN RECOMENDADA	1/6000
CARGA 0	UNLOAD
CARGA 1	1/2 MAX
CARGA 2	FULL MAX
CARGA 3	UNLOAD
CARGA 4	FULL MAX
CARGA 5	1/2 MAX
CARGA 6	UNLOAD

MODELO	H-11925	H-11926
RESOLUCIÓN	1/6000	1/6000
CARGA 0	UNLOAD	UNLOAD
CARGA 1	6 lbs.	15 lbs.
CARGA 2	12 lbs.	30 lbs.
CARGA 3	UNLOAD	UNLOAD
CARGA 4	12 lbs.	30 lbs.
CARGA 5	6 lbs.	15 lbs.
CARGA 6	UNLOAD	UNLOAD

CONTINUACIÓN DE CALIBRACIÓN

CALIBRACIÓN NORMAL

1. Encienda la báscula. Presione el botón de **NEXT** (siguiente) durante el encendido. La pantalla mostrará *FD CAL*.
2. Retire los tornillos que se encuentran debajo de la báscula con la llave incluida y abra la tapa de las baterías.
3. Presione el interruptor de calibración con un alfiler o un objeto similar.
4. Presione el botón de **ZERO** (cero) para confirmar y la pantalla mostrará *CAL*.
5. Presione el botón de **ZERO** para confirmar y la pantalla mostrará *UNLOAD*.
6. Asegúrese de que la bandeja esté vacía y el indicador "STABLE" esté encendido.
7. La pantalla mostrará la capacidad completa de la pesa de calibración.
8. Coloque el peso en la bandeja.
9. Una vez que el indicador "STABLE" aparezca en la pantalla, esta mostrará *PASS* y regresará al modo de ajuste. Presione el botón de **POWER** (encendido) para regresar al modo de pesaje.

 **NOTA:** Si la pantalla muestra cualquier mensaje de error o mediciones incorrectas, calibre nuevamente.

10. Apague la báscula y coloque la cubierta.

MODELO	MÁXIMA CAPACIDAD DE PESO EN MODO LBS.
H-11925	12 lbs.
H-11926	30 lbs.

LEGAL PARA EL COMERCIO

Si el indicador se utiliza para el comercio o una aplicación controlada legalmente, se debe ajustar, verificar y sellar según las normas de medición y pesaje locales. Es responsabilidad del comprador garantizar que se cumplan todos los requisitos legales pertinentes.

Se utiliza la "Tornillería de Sellado" para esta función.

VERIFICACIÓN

El agente autorizado de pesos y medidas o el personal de mantenimiento autorizado deben realizar el procedimiento de verificación.

SELLADO

El agente autorizado de pesos y medidas o el personal de mantenimiento autorizado debe aplicar el sello de seguridad para evitar alteraciones en la configuración.

MANTENIMIENTO

MANTENIMIENTO PREVENTIVO

- Apague y desconecte el dispositivo antes de limpiar.
- No abra el tapón de caucho durante la limpieza.
- Asegúrese de que ningún fluido entre en el dispositivo.
- No lo limpie con ácido orgánico, soluciones alcalinas, polvos limpiadores o agentes limpiadores que disuelven plástico.
- No rocíe líquido corrosivo directamente en el dispositivo.
- Evite presionar fuerte o rayar la superficie con objetos duros, filosos o puntiagudos.

LIMPIAR LA CUBIERTA

- Para limpiar la cubierta del dispositivo, utilice un paño suave y limpio humedecido con un limpiador suave y agua.
- Después de limpiar, conecte la báscula de nuevo o instale las baterías y enciéndala..

MANTENIMIENTO DE LAS BATERÍAS

- Utilice únicamente el adaptador de corriente suministrado con la báscula.
- Si la báscula no se utiliza por un periodo prolongado, retire las baterías de su compartimento para prevenir fugas.
- Almacene las baterías en un ambiente seco y templado.

SOLUCIÓN DE PROBLEMAS

CÓDIGOS DE ERRORES

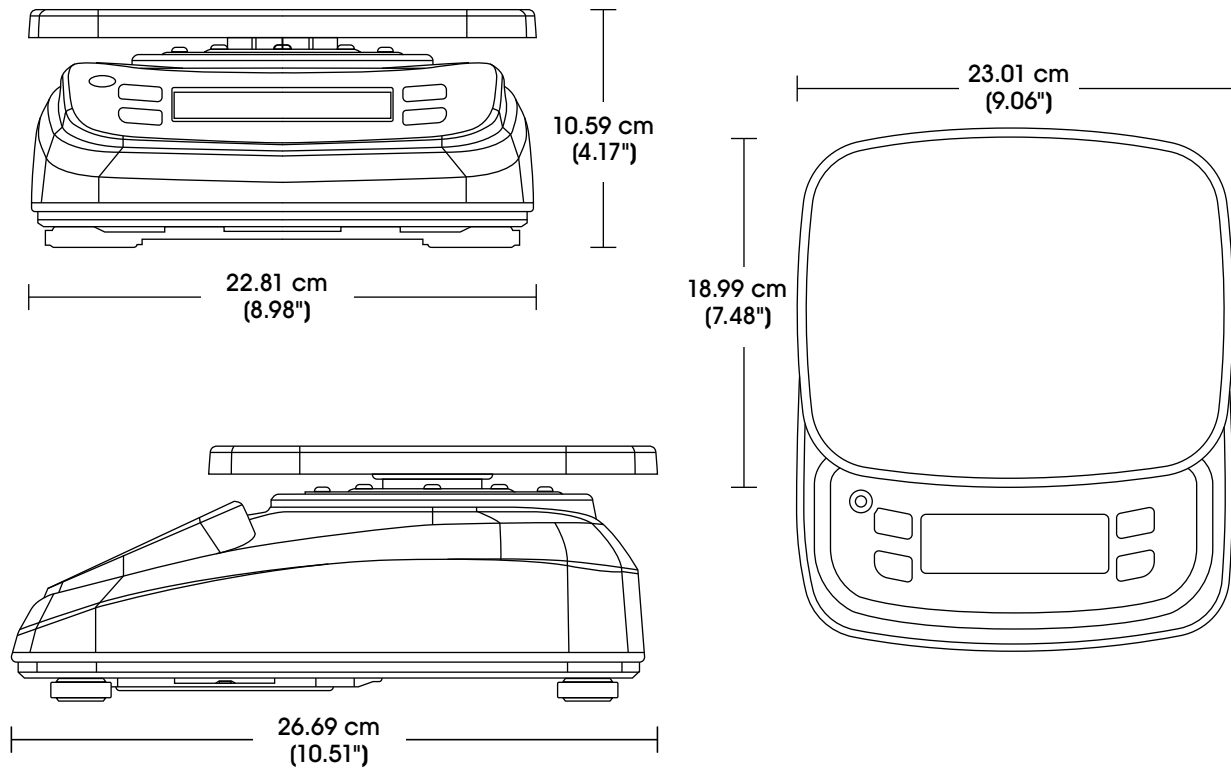
MENSAJE DE ERROR	DESCRIPCIÓN	SOLUCIÓN
<i>Err 4</i>	Error de configuración de cero.	Exceso de rango de configuración de cero debido al encendido. (4% máximo) Asegúrese de que la plataforma esté vacía.
<i>Err 5</i>	Valor A/D fuera de rango.	Asegúrese de que la plataforma esté vacía y bien instalada. Verifique los conectores de celda de carga.
<i>Err 7</i>	Error de muestra.	Verifique el peso de carga. (El peso de muestra debe exceder 20d.)
<i>Err 19</i>	Error de inicialización de cero.	Calibre la báscula.
<i>--o/--</i>	Exceso del rango.	Retire la carga. Recalibre.
<i>--u/--</i>	Carga baja.	Retire el peso, verifique la plataforma y reinicie o calibre.

PROBLEMA DE FUNCIONAMIENTO	CAUSAS	RECOMENDACIONES
No se puede encender.	La energía principal está apagada. No está conectada al tomacorriente. Tomacorriente defectuoso. La pantalla está apagada. Las baterías no está cargada.	Asegúrese de que el interruptor de energía esté encendido y el LED funcione. Verifique que el voltaje que va a la báscula concuerde con las etiquetas de suministro de energía en el módulo de energía o la báscula. Reemplazar las baterías.
Pantalla inestable.	Variación de aire. La charola hace contacto. La muestra se mueve (pesaje de animales). Vibraciones de la mesa. Cambio drástico de temperatura. Falla del tomacorriente/batería.	Verifique que la báscula esté en una ubicación aceptable y sobre una buena mesa/superficie. Verifique que el suministro de energía sea correcto para la báscula.
Valor de peso incorrecto.	Error de calibración. Error de linealidad, linealidad calibrada con pesos imprecisos. Balanza no nivelada. Hay algunos materiales entre la muestra y la cubierta. Unidad de pesaje equivocada en pantalla.	Recalibre. Ponga atención en el peso de prueba utilizado, la estabilidad de la báscula y la unidad de pesaje requerida. Si se requiere, realice calibración lineal. Verifique que la plataforma esté instalada correctamente. Verifique que la báscula esté en una ubicación aceptable.

CONTINUACIÓN DE SOLUCIÓN DE PROBLEMAS

PROBLEMA DE FUNCIONAMIENTO	CAUSAS	RECOMENDACIONES
No se puede usar la capacidad completa.	<p>Tope de sobrecarga toca el soporte de la plataforma o la parte inferior de la celda de carga.</p> <p>Seguro de transportación no removido.</p> <p>Problema con el circuito A/D.</p> <p>Parámetros establecidos incorrectamente.</p> <p>Celda de carga o mecanismo dañado.</p>	<p>Revise que no haya objetos debajo de la plataforma o celda de carga.</p> <p>Confirme que el seguro de transportación se haya removido.</p> <p>Verifique la instalación de la plataforma.</p> <p>Verifique las unidades de pesaje utilizadas.</p>
No lineal.	<p>El tope de sobrecarga toca la celda de carga o el mecanismo está dañado.</p> <p>A/D dañado.</p>	<p>Revise que no haya objetos debajo de la plataforma o celda de carga.</p> <p>Confirme que el seguro de transportación se haya removido.</p> <p>Verifique la instalación de la plataforma.</p> <p>Recalibrar y calibrar linealmente con los pesos estándar ideales.</p>
Error de carga no centrada.	<p>Ajuste el mecanismo.</p> <p>Los topes de sobrecarga no están correctos.</p> <p>Celda de carga dañada.</p>	<p>Verifique en busca de objetos debajo de la plataforma o celda de carga.</p> <p>Confirme que el seguro de transportación se haya removido.</p> <p>Verifique la instalación de la charola.</p> <p>Asegúrese de que la celda de carga esté fija correctamente.</p>

DIMENSIONES



ESPECIFICACIONES

MODELO	H-11925	H-11926
Capacidad	12 lbs.	30 lbs.
Legibilidad	0.002 lb.	0.005 lb.
Capacidad Mínima	0.04 lb.	0.1 lb.
Resolución	1/6000	
Cubierta	Acero Inoxidable 304	
Pantalla	Pantalla LCD de 6 dígitos de 2.5 cm (0.98") de Alto con Luz de Fondo LED de 3 Colores	
Temperatura de Funcionamiento	-10°F – 40°F (14°F – 104°F)	
Unidades de Pesaje	lbs.	
Teclado	4 botones – Teclado Mecánico	
Tamaño de la Plataforma	Charola de Acero Inoxidable 304 19.1 x 23.1 cm (7.5 x 9.1")	
Fuente de Poder	Cuatro Baterías Alcalinas Tamaño D de 1.5 V	
Dimensiones (Ancho x Prof. x Alto)	22.8 x 26.7 x 10.7 cm (9.0 x 10.5 x 4.2")	
Peso Neto	2.99 kg (6.6 lb.)	
Peso Bruto	3.99 kg (8.8 lb.)	

ULINE

800-295-5510

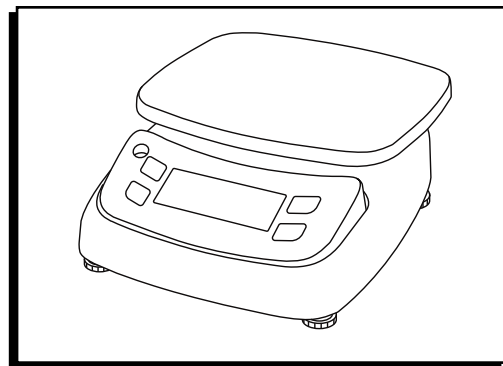
uline.mx

ULINE H-11925, H-11926

BALANCE DE CUISINE RÉSISTANTE À L'EAU

1 800 295-5510

uline.ca



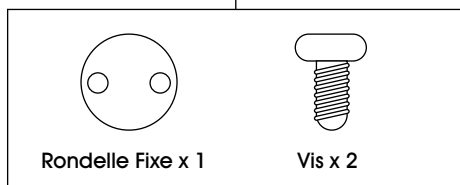
OUTIL REQUIS



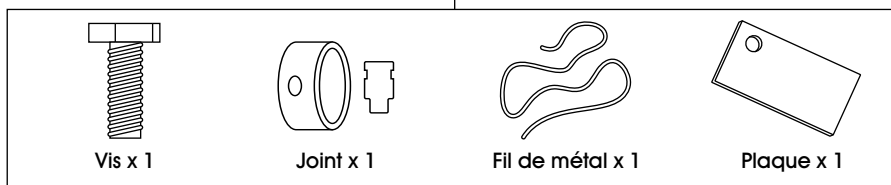
Clé Allen
(inclus)

PARTS

Matériel d'installation du plateau



Matériel de scellage



SÉCURITÉ



AVERTISSEMENT! Débrancher toute source d'alimentation électrique de l'appareil avant de l'installer, de le nettoyer ou d'en effectuer l'entretien. Le non-respect de cette consigne peut entraîner des blessures corporelles ou endommager l'appareil.

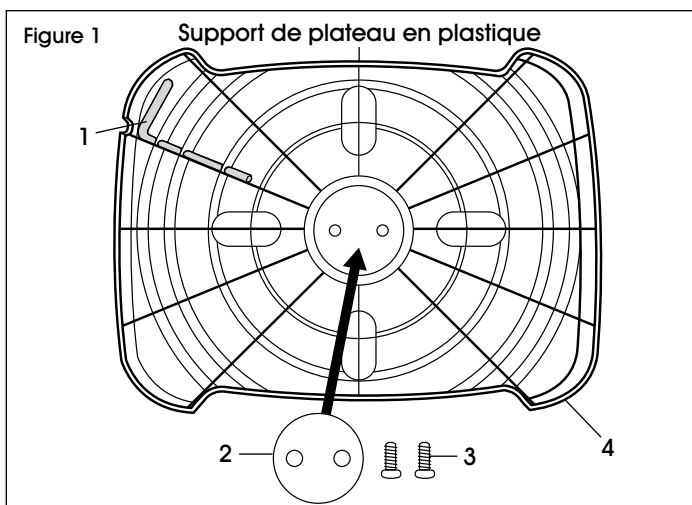
- L'entretien de cette balance doit être effectué uniquement par du personnel qualifié.
- Placer la balance à l'abri de la lumière directe du soleil.
- Vérifier que la tension et le type de prise d'alimentation sont adéquats pour la balance.
- Ne pas utiliser un type d'adaptateur d'alimentation autre que celui fourni avec la balance.

- Le matériel branchable doit être installé à proximité d'une prise de courant facilement accessible.
- Éviter les sources d'alimentation instables. Ne pas utiliser cette balance à proximité d'appareils énergivores tels que des outils de soudage ou de gros moteurs.
- Éviter d'exposer la balance aux changements brusques de température, aux vibrations, au vent et à l'eau.
- Éviter d'exposer la balance aux bruits de radiofréquences.
- Garder la balance propre.

INSTALLATION

INSTALLATION DU PLATEAU

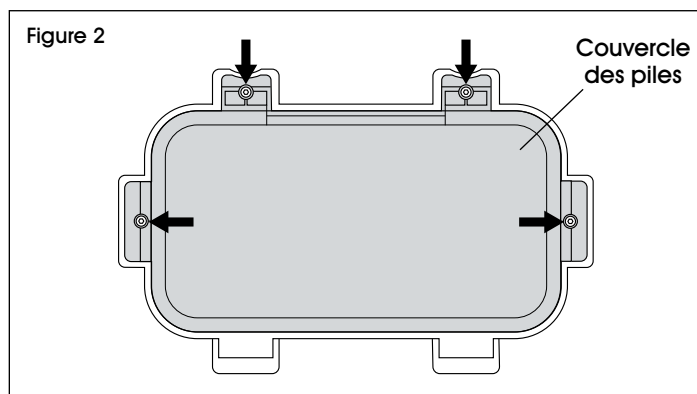
1. Sortez le plateau en acier inoxydable et le support de plateau en plastique de la boîte.
2. Retirez la clé (1) du support de plateau en plastique (4). (Voir Figure 1)
3. Placez la rondelle fixe (2) au centre du support de plateau en plastique (4).
4. Serrez la rondelle fixe (2) à l'aide de deux vis (3).
5. Placez le support de plateau en plastique sur la base de la balance.
6. Utilisez la clé (1) pour serrer les vis (3).
7. Remplacez la clé (1) dans la fente du support de plateau en plastique (4).



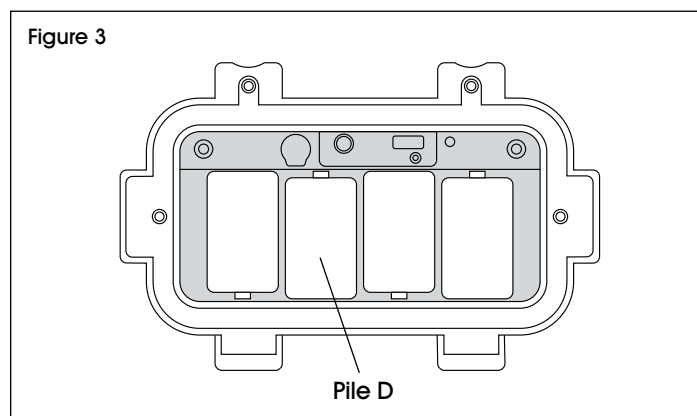
ALIMENTATION

ALIMENTATION SUR PILE

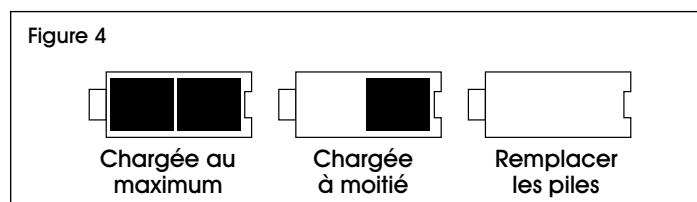
1. Retirez les quatre vis à l'aide de la clé incluse et ouvrez le couvercle des piles au bas de la balance. (Voir Figure 2)



2. Insérez quatre piles alcalines D dans le compartiment des piles. (Voir Figure 3)



3. Refermez le couvercle des piles et serrez-le à l'aide de la clé et des vis précédemment retirées.
4. Lorsque la batterie fonctionne sur pile, l'écran affiche le niveau de charge. (Voir Figure 4)



ADAPTATEUR D'ALIMENTATION EXTERNE (VENDU SÉPARÉMENT)

L'adaptateur se branche sur la prise d'alimentation c.a. Vérifiez que la prise d'alimentation c.a. est bien protégée.



IMPORTANT! Les appareils branchables doivent être installés à proximité d'une prise d'alimentation facilement accessible et dotée d'un contact de terre pour sa protection.

1. Retirez le bouchon en caoutchouc de la douille d'adaptateur et insérez-le dans le bombement en plastique. (Voir Figure 5)

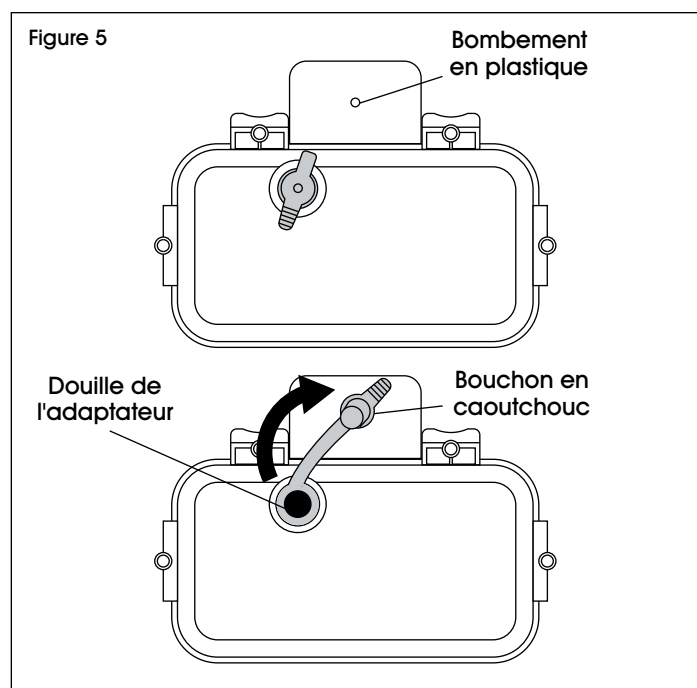


REMARQUE : La douille d'adaptateur se trouve au bas de la balance.

2. Insérez la goupille de l'adaptateur dans la douille de l'adaptateur. (Voir Figure 5)



REMARQUE : Lorsque l'adaptateur est branché, l'écran affiche constamment un niveau de charge maximum.



IMPORTANT! Débranchez l'adaptateur C.A. et insérez le bouchon en caoutchouc avant de nettoyer le dispositif.




REMARQUE : Aucun degré de protection n'est assuré lorsque le bouchon en caoutchouc est retiré et que la balance est branchée à la prise avec un adaptateur C.A.


INSTALLATION SUITE

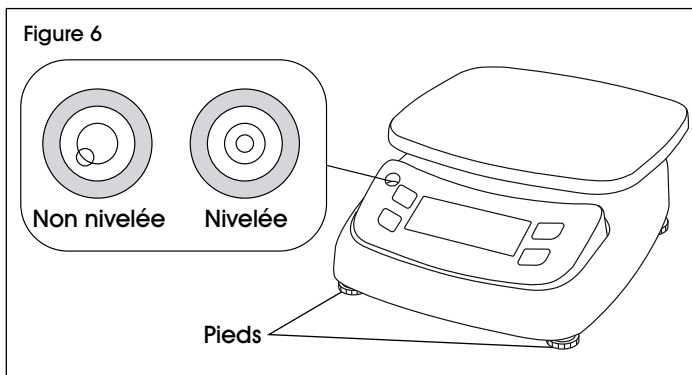
MISE À NIVEAU DE L'APPAREIL

La balance peut être mise à niveau grâce à la bulle de nivellement. Elle est située à gauche de l'écran. (Voir Figure 6)

Régalez les pieds au bas de la balance jusqu'à ce que la bulle soit centrée. (Voir Figure 6)

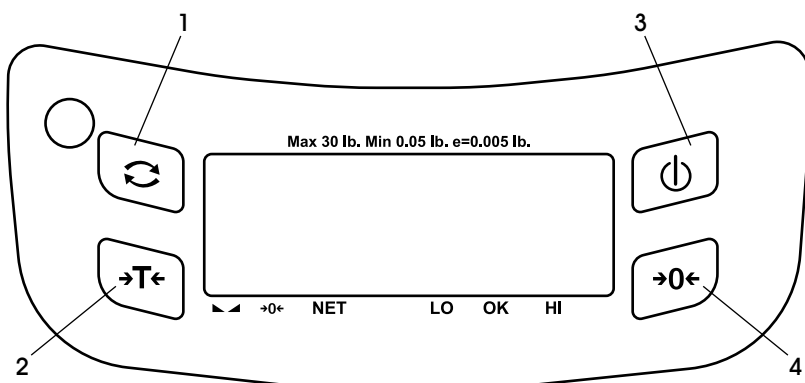
 **REMARQUE :** La bulle doit se trouver au centre du niveau d'eau.

 **IMPORTANT!** Vérifiez régulièrement l'état de la bulle pour vous assurer que la balance est à niveau. Rajuster le nivellement au besoin.



APERÇU DES COMMANDES

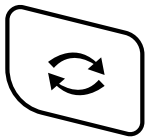
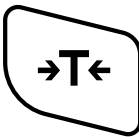
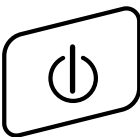
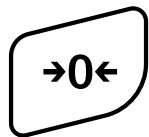
PANNEAU DE COMMANDES





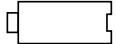
ÉLÉMENTS DU PANNEAU DE COMMANDES

#	DESCRIPTION
1	Bouton Suivant
2	Bouton de Tare
3	Bouton Marche/Arrêt
4	Bouton Zéro

FONCTION DES BOUTONS

BOUTON				
NEXT (SUIVANT)	Sert à changer l'unité de pesage.	TARE	POWER (MARCHE/ARRÊT)	ZÉRO
FONCTION	Sert à défiler vers le bas dans le mode de réglages. Appuyer longuement pour sortir du mode.	Sert à soustraire les valeurs tares. Appuyer longuement pour accéder au mode de comptage de pièces. Sert à défiler vers le haut dans le mode de réglages.	Appuyer pour mettre la balance en marche. Appuyer longuement pour éteindre la balance. Sert de bouton de sortie dans le mode de réglages.	Fait passer l'affichage à zéro. Appuyer longuement pour accéder au mode de réglages de limites. Sert de bouton d'entrée dans le mode de réglages.

INDICATEURS

		NET	LO/OK/HI		lb
Zéro	Stable	Poids net	Indication pour pesée de contrôle	Batterie faible (affiché à l'écran)	Unité de pesage actuelle (affiché à l'écran)

MISE EN MARCHÉ INITIALE

Une période de réchauffement de 15 minutes après la mise en marche permet de stabiliser les valeurs mesurées.

MISE EN MARCHÉ/ARRÊT DE LA BALANCE

Appuyez sur le bouton **POWER** (marche/arrêt) pour allumer la balance. Durant la mise en marche, l'écran affiche la version du logiciel d'application. Appuyez sur le bouton **TARE** pour afficher la version légale du logiciel. L'écran s'illumine ainsi. Pour éteindre, appuyez longuement sur le bouton marche/arrêt.

ZÉRO

En fonction des conditions environnementales, il se peut que la balance soit à zéro même si le plateau n'a reçu aucune pression. Cependant, vous pouvez tout de même mettre la balance à zéro à tout moment en appuyant sur le bouton **ZERO** (zéro) pour vous assurer que le pesage commence à zéro.

TARE

Tarez chaque récipient avant le pesage pour vous assurer que la valeur obtenue sera le poids net de l'objet à peser.

1. Posez l'unité sur le plateau.
2. Appuyez sur la touche **TARE**. L'écran affiche zéro et la tare est déduite.
3. Retirez le poids du plateau. La tare est affichée. Une seule valeur de tare peut être configurée. Elle sera affichée en valeur négative.
4. Appuyez sur la touche **TARE**. L'écran affiche zéro et la tare est effacée.

COMPTAGE DE PIÈCES

Vous pouvez lancer le mode de comptage de pièces dans le mode de pesage.

1. Posez les articles (pièces) sur le plateau. Les articles doivent être placés en fonction des options de lot de pièces.
2. Appuyez longuement sur le bouton **TARE**. L'écran affiche **P 10**. Choisissez parmi les options de lot de pièces en appuyant sur le bouton **TARE**. Les options de lot de pièces sont : **P 10, P 20, P 50, P 100, P 200**.
3. Appuyez sur le bouton **ZERO** (zéro) lorsque le nombre affiché correspond au nombre d'articles de l'échantillon.
4. La balance enregistre les pièces en fonction des articles de l'échantillon.
5. Ajoutez d'autres pièces sur le plateau. La balance affiche le nombre de pièces en fonction des articles déjà enregistrés.
6. Appuyez longuement sur le bouton **NEXT** (suivant) pour sortir du mode de comptage de pièces.

ARRÊT AUTOMATIQUE

Vous pouvez programmer la balance pour qu'elle s'éteigne automatiquement après une période d'inactivité définie.

1. Appuyez sur **NEXT** (suivant) durant le démarrage.
2. Appuyez sur le bouton **TARE** jusqu'à ce que l'écran affiche **F3 R0F**.
3. Appuyez sur le bouton **ZERO** (zéro) pour valider.
4. Appuyez sur le bouton **TARE** pour sélectionner les options de sous-menu.
5. Appuyez sur le bouton **ZERO** pour confirmer.
6. Appuyez longuement sur le bouton **NEXT** pour retourner au mode de pesage normal.

AFFICHAGE	DESCRIPTION
OFF* (Par défaut)	Pour désactiver la fonction d'arrêt automatique.
OF 3	Pour que l'appareil s'éteigne après trois minutes d'inactivité.
OF 10	Pour que l'appareil s'éteigne après 10 minutes d'inactivité.
OF 15	Pour que l'appareil s'éteigne après 15 minutes d'inactivité.
OF 30	Pour que l'appareil s'éteigne après 30 minutes d'inactivité.

RÉGLAGE DU RÉTROÉCLAIRAGE

Le rétroéclairage peut être désactivé ou réglé en mode faible, moyen ou puissant. La fonction de rétroéclairage est active lorsque la balance est en utilisation ou lorsque le poids n'est pas à zéro.

1. Appuyez sur le bouton **NEXT** (suivant) durant le démarrage.
2. Appuyez sur le bouton **TARE** jusqu'à ce que l'écran affiche **F2 BL**.
3. Appuyez sur le bouton **ZERO** (zéro) pour valider.
4. Appuyez sur le bouton **TARE** pour sélectionner les options de sous-menu.
5. Appuyez sur le bouton **ZERO** pour confirmer.
6. Appuyez longuement sur le bouton **NEXT** pour retourner au mode de pesage normal.

AFFICHAGE	DESCRIPTION
B1 0F	Fonction rétroéclairage désactivée.
B1 R01	Rétroéclairage faible.
B1 R02	Rétroéclairage moyen.
B1 R03	Rétroéclairage puissant.

RÉGLAGE DES LIMITES

1. Appuyez longuement sur le bouton **ZERO** (zéro). L'écran affiche 00.0000 (Limite supérieure réglée) et l'icône du triangle apparaît au-dessus de l'indicateur « HI ».
2. Appuyez sur le bouton **TARE** pour modifier la valeur. Appuyez sur le bouton **NEXT** (suivant) pour décaler entre les chiffres.
3. Lorsque vous avez décalé jusqu'au dernier chiffre, appuyez sur le bouton **ZERO** pour confirmer la valeur.
4. L'écran affiche 00.0000 (Limite inférieure réglée) et l'icône du triangle apparaît au-dessus de l'indicateur « LO ».
5. Appuyez sur le bouton **TARE** pour modifier la valeur. Appuyez sur le bouton **NEXT** pour décaler entre les chiffres.
6. Appuyez sur le bouton **ZERO** pour confirmer et retourner au mode de pesage.

INDICATEURS DE LIMITES

- Lorsque le poids est en dessous des limites inférieures, l'icône du triangle apparaît au-dessus de l'indicateur « LO ».
- Lorsque le poids se situe entre les limites, l'icône du triangle apparaît au-dessus de l'indicateur « OK ».
- Lorsque le poids dépasse les limites supérieures, l'icône du triangle apparaît au-dessus de l'indicateur « HI ».

PARAMÈTRES

FONCTIONS DES TOUCHES DU MENU

ACCÉDER AU MENU

1. Appuyez sur le bouton **POWER** (marche/arrêt) pour allumer la balance.
2. Appuyez sur le bouton **NEXT** (suivant) pendant le démarrage, ou appuyez longuement sur le bouton **NEXT** en mode de pesage normal.

ACCÉDER AU MENU SÉLECTIONNÉ

Appuyez sur le bouton **ZERO** (zéro) pour accéder au menu d'affichage.

SÉLECTIONNER LE MENU

Appuyez sur le bouton **TARE** pour faire défiler vers le haut et sur le bouton **NEXT** pour faire défiler vers le bas.

QUITTER LE MENU

Appuyez longuement sur le bouton **NEXT** ou appuyez sur le bouton **POWER** pour quitter le menu actuel.

Pour accéder aux paramètres **F0CAL**, **F6RES**, **F7Gra**, **F8cap** et **9AP**, appuyez sur le commutateur d'étalonnage avant d'opérer une sélection.

 **REMARQUE** : Le commutateur d'étalonnage est situé au bas de la balance.

MENU	DESCRIPTION	
F0 CAL	CAL	Étalonnage normal.
	L-IN2	Étalonnage linéaire.
	L-IN3	
	L-IN6	
F1 UNIT (LB)	ON (marche)	Régler les unités de pesage.
	OFF (arrêt)	
F2 BL	BI Of	Désactiver la fonction de rétroéclairage.
	BI AU1*	Activer la fonction de rétroéclairage.
	BI AU2	Régler la luminosité du rétroéclairage.
	BI AU3	
F3 Aof	OFF* (arrêt)	Régler le temps d'arrêt automatique.
	Of 3	
	Of 10	
	Of 15	
	Of 30	
F4 inp	Pour afficher les valeurs internes.	
F5 spd	LOW (faible)	Régler la vitesse « AD ».
	MID (moyen)	
	HIGH (élevé)	

* Paramètre par défaut

PARAMÈTRES SUITE

MENU	DESCRIPTION	
F6 RES	3,000	Régler la résolution.
	6,000*	
	Dual-i	
	15,000	
	30,000	
F7 Gra	9.79640	Régler la gravité locale.
F8 cap	6 lb.	Régler la capacité.
	12 lb.	
	30 lb.	
	60 lb.	
F9 AP	NO	AUCUNE HOMOLOGATION
	OIML	Homologation par le OIML
	NTEP*	Homologation par le NTEP
FA TARE	OFF (arrêt)	Désactiver la fonction multi-tare.
	ON* (marche)	Activer la fonction multi-tare.
FB s-Uw	OFF* (arrêt)	Désactiver la fonction d'enregistrement du poids unitaire lors du comptage de pièces.
	ON (marche)	Activer la fonction d'enregistrement du poids unitaire lors du comptage de pièces.
FC slep	off* (arrêt)	Désactiver le mode veille.
	OF 10	Entrer en mode veille après 10 minutes sans changement de poids ni pression de touches.
	OF 20	Entrer en mode veille après 20 minutes sans changement de poids ni pression de touches.
	OF 30	Entrer en mode veille après 30 minutes sans changement de poids ni pression de touches.

* Paramètre par défaut

ÉTALONNAGE

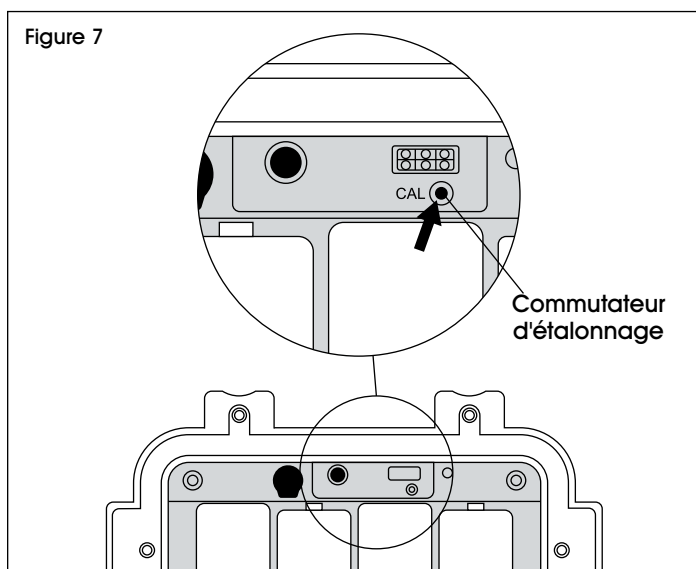


IMPORTANT! Pour garantir la précision de la balance, il est nécessaire d'effectuer un étalonnage linéaire avant un étalonnage normal.

ÉTALONNAGE LINÉAIRE

1. Mettez la balance en marche. Appuyez sur le bouton **NEXT** (suivant) durant le démarrage. L'écran affiche *FD cal.*
2. Retirez les vis sous la balance à l'aide de la clé fournie, puis ouvrez le couvercle des piles.
3. Appuyez sur le commutateur d'étalonnage avec une épingle longue ou un objet similaire. (Voir Figure 7)

Figure 7



4. Appuyez sur le bouton **ZERO** (zéro) pour confirmer et l'écran affichera *CAL.*
5. Appuyez sur le bouton **TARE** pour sélectionner le point linéaire *1-102.*
6. Appuyez sur le bouton **ZERO** (zéro) pour confirmer et l'écran affichera *UNLOAD.*
7. Assurez-vous que le plateau est vide lorsque l'indicateur « **STABLE** » est allumé.
8. Après six secondes, l'écran affichera 1/2 de la capacité.
9. Placez le premier poids d'étalonnage (1/2 de la capacité) sur le plateau.
10. Après six secondes, l'écran affichera 1/2 de la capacité.


11. Retirez le premier poids d'étalonnage (1/2 de la capacité) du plateau.
12. Placez le deuxième poids d'étalonnage (capacité maximale) sur le plateau.
13. Après six secondes, l'écran affichera *UNLOAD.*
14. Placez le deuxième poids d'étalonnage (capacité maximale) sur le plateau.
15. Après six secondes, l'écran affichera 1/2 de la capacité.
16. Retirez le deuxième poids d'étalonnage (capacité maximale) du plateau.
17. Placez le premier poids d'étalonnage (1/2 de la capacité) sur le plateau.
18. Après six secondes, l'écran affichera *UNLOAD.*
19. Retirez le premier poids d'étalonnage (1/2 de la capacité) du plateau.
20. Après trois secondes, la balance affichera *-pass-* et reviendra en mode de réglages.

POIDS D'ÉTALONNAGE LINÉAIRE	2 POINTS
RÉSOLUTION RECOMMANDÉE	1/6 000
LOAD 0 (Aucune charge)	UNLOAD (Décharger)
LOAD 1 (Charge 1)	1/2 CAP. MAX.
LOAD 2 (Charge 2)	CAP. MAX.
LOAD 3 (Charge 3)	UNLOAD (Décharger)
LOAD 4 (Charge 4)	CAP. MAX.
LOAD 5 (Charge 5)	1/2 CAP. MAX.
LOAD 6 (Charge 6)	UNLOAD (Décharger)

MODÈLE	H-11925	H-11926
RÉSOLUTION	1/6 000	1/6 000
LOAD 0 (Aucune charge)	UNLOAD (DÉCHARGER)	UNLOAD (DÉCHARGER)
LOAD 1 (Charge 1)	6 lb	15 lb
LOAD 2 (Charge 2)	12 lb.	30 lb
LOAD 3 (Charge 3)	UNLOAD (DÉCHARGER)	UNLOAD (DÉCHARGER)
LOAD 4 (Charge 4)	12 lb.	30 lb
LOAD 5 (Charge 5)	6 lb	15 lb
LOAD 6 (Charge 6)	UNLOAD (DÉCHARGER)	UNLOAD (DÉCHARGER)

ÉTALONNAGE SUITE

ÉTALONNAGE NORMAL

1. Mettez la balance en marche. Appuyez sur le bouton **NEXT** (suivant) durant le démarrage. L'écran affiche *FO cal.*
 2. Retirez les vis sous la balance à l'aide de la clé fournie, puis ouvrez le couvercle des piles.
 3. Appuyez sur le commutateur d'étalonnage avec une épingle longue ou un objet similaire.
 4. Appuyez sur le bouton **ZERO** (zéro) pour confirmer et l'écran affichera *CAL.*
 5. Appuyez sur le bouton **ZERO** pour confirmer et l'écran affichera *UNLOAD.*
 6. Assurez-vous que le plateau est vide lorsque l'indicateur « **STABLE** » est allumé.
 7. L'écran affichera le poids d'étalonnage de capacité maximale.
 8. Placez le poids sur le plateau.
 9. Une fois que l'indicateur « **STABLE** » apparaît, l'écran affichera *PASS* et reviendra en mode de réglages. Appuyez sur la bouton **POWER** (marche/arrêt) pour retourner au mode de pesage.
-  **REMARQUE** : Si l'écran affiche un message d'erreur ou une mesure incorrecte, répétez l'étalonnage.
10. Éteignez la balance et remettez le couvercle sur celle-ci.

MODÈLE	POIDS DE CAPACITÉ MAXIMALE EN MODE LB.
H-11925	12 lb
H-11926	30 lb

MENTION LÉGALE POUR LE COMMERCE

Lors d'un usage commercial ou légalement contrôlé, l'indicateur doit être configuré, inspecté et scellé conformément aux réglementations locales à l'égard des appareils de pesage et de mesurage. Il incombe à l'acheteur de s'assurer que toutes les conditions légales en vigueur sont satisfaites.

Le « matériel de scellage » est utilisé pour cette procédure.

INSPECTION

Le fournisseur de service autorisé ou l'agent officiel local responsable des appareils de pesage et de mesurage doit exécuter la procédure d'inspection.

SCELLAGE

Le fournisseur de service autorisé ou l'agent officiel local responsable des appareils de pesage et de mesurage doit apposer un sceau de sécurité pour prévenir toute altération aux réglages.

ENTRETIEN

ENTRETIEN PRÉVENTIF

- Éteignez et débranchez l'appareil avant de le nettoyer.
- N'ôtez pas le bouchon en caoutchouc durant le nettoyage.
- Assurez-vous qu'aucun fluide ne pénètre l'appareil.
- Pour le nettoyage, n'utilisez pas d'acide organique, de solution alcaline, de poudre à récurer, ni de produits de nettoyage pour dissoudre le plastique.
- Ne pulvérisez pas de liquides corrosifs directement sur l'appareil.
- Évitez d'exercer une forte pression ou de rayer la surface avec des objets solides, tranchants ou pointus.

NETTOYAGE DU BOÎTIER

- Pour nettoyer le boîtier de l'appareil, utilisez un chiffon propre et doux légèrement mouillé avec un nettoyant doux ou de l'eau.
- Après le nettoyage, branchez à nouveau la balance ou installez les piles sèches, puis mettez-la en marche.

ENTRETIEN DE LA BATTERIE

- N'utilisez aucun type d'adaptateur d'alimentation autre que celui fourni avec la balance.
- Si la balance n'est pas utilisée sur une longue période, enlevez les piles de leur compartiment afin d'éviter les fuites.
- Entrez les piles dans un endroit sec et tempéré.

DÉPANNAGE

CODES D'ERREUR

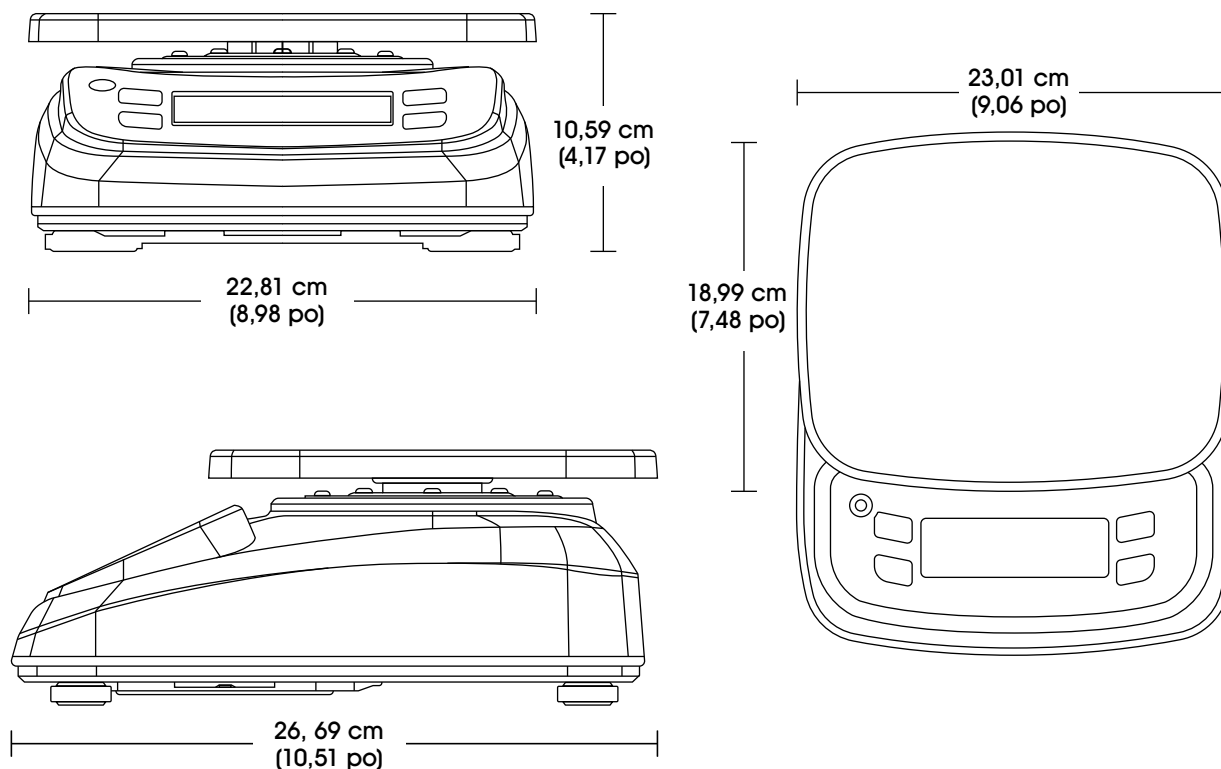
MESSEGE D'ERREUR	DESCRIPTION	SOLUTION
<i>Err 4</i>	Erreur de réglage à zéro.	La plage de réglage à zéro est dépassée en raison de la mise en marche. (4 % max) Assurez-vous que la plateforme est vide.
<i>Err 5</i>	Valeur A/N hors de plage.	Assurez-vous que la plateforme est vide et que le plateau est installé correctement. Vérifiez les connecteurs de la cellule de charge.
<i>Err 7</i>	Erreur d'échantillon.	Vérifiez le poids de la charge. (Le poids d'échantillon doit être supérieur à 20d.)
<i>Err 19</i>	Erreur d'initialisation du zéro.	Étalonnez la balance.
<i>--o!--</i>	Surcharge.	Retirez la charge. Ré-étalonnez.
<i>-- u!--</i>	Sous-charge.	Retirez la charge, vérifiez l'état de la plateforme, puis redémarrez ou étalonnez.

PROBLÈME	CAUSES	RECOMMANDATIONS
Impossible de mettre l'appareil en marche.	L'alimentation principale est coupée. Source d'alimentation non branchée. Source d'alimentation défectueuse. Écran éteint. Batteries non chargée.	Vérifiez que l'interrupteur d'alimentation est actionné et que le voyant d'alimentation à DEL fonctionne. Vérifiez que la tension qui passe dans la balance correspond aux indications des étiquettes d'alimentation électrique situées sur le module d'alimentation ou sur la balance. Remplacer les batteries.
Affichage à l'écran instable.	Variations d'air. Le plateau est en contact. L'échantillon est en mouvement (pesage d'animaux). Vibrations de la table. Changement radical de température. Source d'alimentation ou batterie défectueuse.	Vérifiez que la balance est située dans un emplacement convenable et sur une surface adéquate. Vérifiez que la source d'alimentation convient à la balance.

DÉPANNAGE SUITE

PROBLÈME	CAUSES	RECOMMANDATIONS
Valeur de poids incorrecte.	<p>Erreur d'étalonnage.</p> <p>Erreur de linéarité – Linéarité étalonnée avec des poids erronés.</p> <p>Balance non mise à niveau.</p> <p>Éléments présents entre l'échantillon et le couvercle.</p> <p>L'unité de pesage affichée est erronée.</p>	<p>Ré-étalonnez. Examinez le poids de contrôle utilisé, la stabilité de la balance et l'unité de pesage requise.</p> <p>Au besoin, effectuez l'étalonnage linéaire.</p> <p>Vérifiez que le plateau est installé correctement.</p> <p>Vérifiez que la balance est située dans un emplacement convenable.</p>
L'appareil ne peut pas être utilisé à plein rendement.	<p>Le dispositif de protection de surcharge est en contact avec le support du plateau ou avec le bas de la cellule de charge.</p> <p>Verrou de transport non retiré.</p> <p>Problème avec le circuit A/N.</p> <p>Paramètres configurés incorrects.</p> <p>Cellule de charge ou mécanismes endommagés.</p>	<p>Cherchez s'il y a des objets sous le plateau ou la cellule de charge.</p> <p>Assurez-vous que le verrou de transport est retiré.</p> <p>Vérifiez que le plateau est correctement installé.</p> <p>Vérifiez les unités de pesage utilisées.</p>
Non linéaire.	<p>Le dispositif de protection de surcharge est en contact avec la cellule de charge ou les mécanismes sont endommagés.</p> <p>Fonction A/N endommagée.</p>	<p>Cherchez s'il y a des objets sous le plateau ou la cellule de charge.</p> <p>Assurez-vous que le verrou de transport est retiré.</p> <p>Vérifiez que le plateau est correctement installé.</p> <p>Effectuez le ré-étalonnage et l'étalonnage linéaire avec des poids standard appropriés.</p>
Erreur de chargement excentré.	<p>Ajustez le mécanisme.</p> <p>Le dispositif de protection de surcharge ne fonctionne pas correctement.</p> <p>Cellule de charge endommagée.</p>	<p>Cherchez s'il y a des objets sous le plateau ou la cellule de charge.</p> <p>Assurez-vous que le verrou de transport est retiré.</p> <p>Vérifiez que le plateau est correctement installé.</p> <p>Assurez-vous que la cellule de charge est correctement installée.</p>

DIMENSIONS



CARACTÉRISTIQUES

MODÈLE	H-11925	H-11926
Capacité	12 lb	30 lb
Précision de lecture	0,002 lb	0,005 lb
Capacité minimum	0,04 lb	0,1 lb
Résolution	1/6 000	
Boîtier	Acier inoxydable 304	
Écran	6 chiffres, 2,5 cm (0,98 po) de hauteur, ACL, rétroéclairage à DEL de 3 couleurs	
Température de fonctionnement	-10 °C à 40 °C (14 °F à 104 °F)	
Unités de pesage	lb	
Champ de bouton	4 boutons – Clavier mécanique	
Format du plateau	Plateau en acier inoxydable 304 – 19,1 x 23,1 cm (7,5 x 9,1 po)	
Source d'alimentation	Quatre piles alcalines D de 1,5 V	
Dimensions (larg. x prof. x haut.)	22,8 x 26,7 x 10,7 cm (9,0 x 10,5 x 4,2 po)	
Poids net	2,99 kg (6,6 lb)	
Poids brut	3,99 kg (8,8 lb)	

ULINE

1 800 295-5510
uline.ca