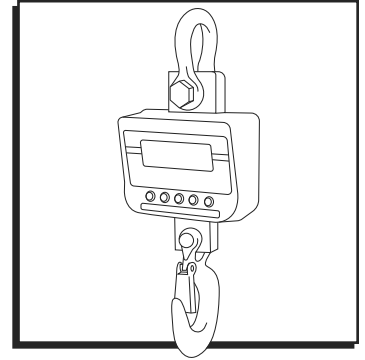


ULINE H-11927 CRANE SCALE

1-800-295-5510
uline.com

Para Español, vea páginas 10-18.
Pour le français, consulter les pages 19-27.



SAFETY



WARNING! Disconnect all power to this unit before installing, cleaning or servicing. Failure to do so could result in bodily harm or damage to the unit.



CAUTION! Only qualified persons should service this scale.

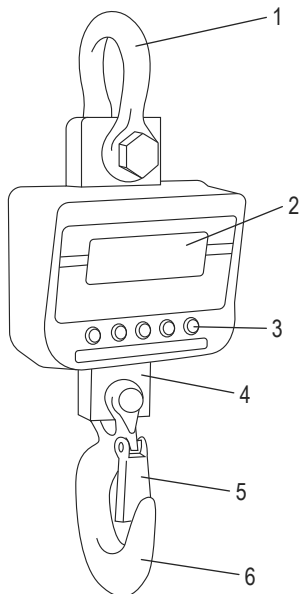
Before connecting or disconnecting any components, disconnect all power to the unit.

Failure to observe these precautions could result in bodily harm or damage to the scales.

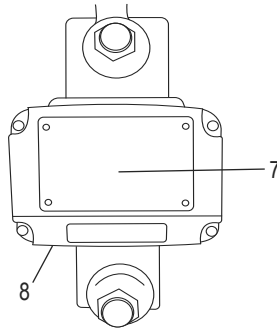
- Use crane scale only for lifting and weighing of freely movable loads.
- Do not stand or walk under suspended loads.
- Do not exceed nominal load of crane scale.
- Only use original adaptor. Other adaptors could cause damage to the scale.
- Pluggable equipment must be installed near an easily accessible electrical outlet.
- Avoid unstable power sources. Do not use near large users of electricity such as welding equipment or large motors.
- Avoid sudden temperature changes, vibration, wind and water.
- When working with the crane and crane scale, wear personal safety equipment (helmet, safety shoes, etc.).

PARTS

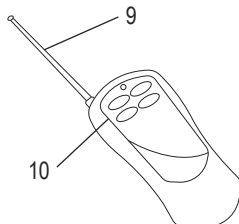
FRONT VIEW



REAR VIEW



REMOTE CONTROLLER



#	DESCRIPTION
1	Loop
2	Weight Display
3	Keyboard
4	Load Housing
5	Safety Bracket
6	Hook
7	Battery Cover
8	AC Adaptor Jack
9	Antenna
10	Controller Keyboard

TECHNICAL DATA

GENERAL SPECIFICATIONS

Maximum Capacity	3,300 lb.
Minimum Capacity	10 lb.
Readability	0.5 lb.
Max. Divisions	1/6,600
Tare Range	-3,299.5 lb.
Linearity +/-	1 lb.
Weighing Units	lb./kg.
Display	6 digits 1.18" LCD digital display
Housing	Die-casting Aluminum
Operation Temperature	14°F–104°F
Power	Input: AC 100-240 V 50–60 Hz. Output: DC 12 V/2,500 mAh Standard Rechargeable Battery (7.4 V/5,200 mAh) Battery Name: Li-ion Battery Battery Mode: 18,650/2S2P/5,200 mAh/7.4 V Battery Cell: 18,650/2,600 mAh/3.7 V Battery Shelf Period: 1 year
Battery Life	Approx. 60 Hours (with backlight) Approx. 72 Hours (without backlight)
Remote Control	Alkaline Battery 12 V/23 A *Dimensions (W x D x H) 48 x 16 x 95 mm
Keypad	5 Mechanical Keys
IP Protection	IP65
Scale Dimensions (W x D x H)	7.9 x 5.1 x 18.8"
Weight	18 lb.

BATTERY SPECIFICATIONS

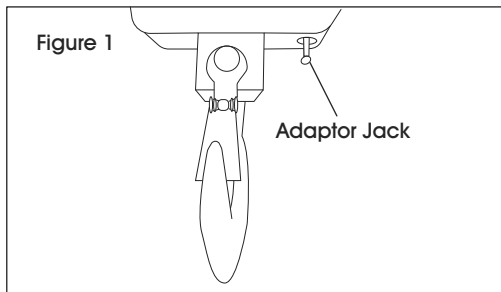
Items	Parameter	Comments
Rated Capacity	5,200 mAh	Discharge: 0.2 C Cut-off voltage: 2.75 V
Minimum Capacity	5,000 mAh	
Energy	38.48 Wh	-----
Nominal Voltage	7.4 V	-----
Open Voltage	7.6–8.2 V	-----
Load Voltage	≥7.4 V	10
Internal Impedance	≤250 m	AC 1 KHz (after standard charge)
Charge Voltage	8.4 V	-----
Standard Charge Current	2,600 mA	0.5 C
Maximum Charge Current	2,600 mA	0.5 C
Standard Discharge Current	1,040 mA	0.2 C
Maximum Discharge Current	2,600 mA	0.5 C
Discharge Cut-off Voltage	5.5 V	-----
Operating Temperature	32°–113°F	Charge
	-4°–140°F	Discharge
Storage Temperature	-4°–140°F	Less than 1 month

INSTALLATION

- Use scale in a location that is free of excessive vibrations, heat and humidity.
- Position scale so that sun's rays do not directly hit display panel.
- The unit must be installed at the right height to allow easy reading of the display and convenient keyboard operation.
- The loads that hang on the hook should be vertical loads.

POWER CONNECTION

- Connect the adaptor pin into the indicator adaptor jack. Adaptor jack is located below the scale. (See Figure 1)




IMPORTANT! Adaptor connects into AC power socket. Pluggable equipment must be installed near an easily accessible socket outlet with a protective ground/earth contact.

RECHARGEABLE BATTERY



NOTE: Charge the battery before using the scale for the first time.

- The ▼ indicator above  indicator indicates that the battery is getting low. If scale continues to be used without proper charging, *LO-BAT* words will flicker on the display.
- Approximately 30 minutes of instrument usage are left, after which scale will shut off automatically.
- Use the supplied battery charger to charge the battery immediately, or scale cannot be used.

CHARGING THE BATTERY

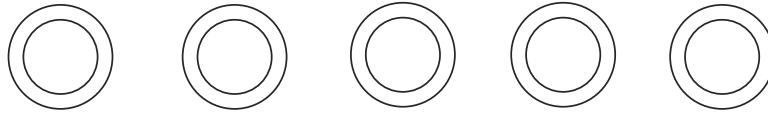
- Charge the battery for at least five hours prior to first use.
- When the scale is plugged in, the internal battery will be charged.
- Verify that the AC power socket outlet is properly protected.
- LED under the right side of the weight display indicates battery charging status.
 - Yellow: Battery is being charged.
 - Red: Battery is nearly discharged.
 - Green: Battery is completely charged.

BATTERY MAINTENANCE

- Do not use any other type of power adaptor than the one supplied with the scale.
- Rechargeable battery should be charged every three months when not in use.
- If the scale is not used for an extended time, remove the battery from the battery compartment to avoid leakage.
- Store the battery in a sealed bag or box in a dry, temperate environment.

OVERVIEW OF CONTROLS

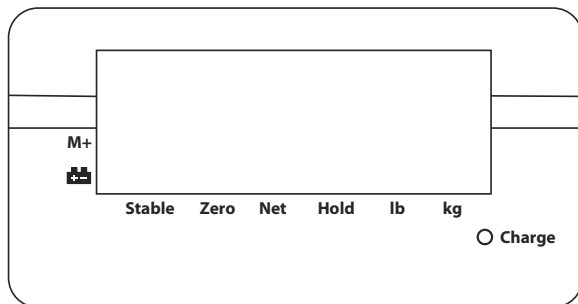
KEYBOARD



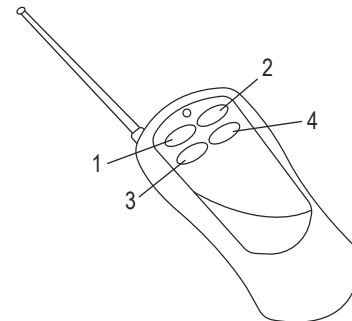
HOLD UNIT/M+ TARE ZERO ON/OFF

KEY	PRIMARY FUNCTION	SECONDARY FUNCTION
HOLD	Reading lock key. Used to lock the reading value.	Clear the active digits in setting mode.
UNIT/M+	Used to change the weighing units.	Hold the key to add the value to the accumulation memory. Right arrow key. Used to move the digit to the right. Escape key. Used to escape from menu setting.
TARE	Used to perform a tare function. Subtracts weights.	Setup menu key. Used to enter the setup menu during self-checking. To change the menu option in menu setting.
ZERO	Zero key. Used to clear and zero the display.	Enter key. Used to enter the selected menu, sub-menu and setting.
ON/OFF	ON/OFF key. Turns the scale on/off.	-----

DISPLAY INDICATORS



REMOTE CONTROLLER



DISPLAY	DESCRIPTION
M+	Accumulation indicator. Indicates value has been added to the accumulation memory.
	Battery indicator. The battery should be charged when the symbol is on.
Stable	Stable indicator. Indicates the scale weight is stable.
Zero	Zero indicator. Indicates the scale is at zero.
Net	Net indicator. Indicates scale is displaying the net weight.
Hold	Lock indicator. When this indicator on, scale is in reading data lock mode.
lb/kg	Weighing units indicator.
Charge	Charging indicator. Indicates the battery charging status.

KEY	FUNCTION
1	For using accumulate and weighing units selection.
2	For using hold value.
3	For using enter zero.
4	For using tare.

OPERATION

INITIAL START-UP

Allow scale to warm up for 15 minutes after turning on the first time.

ON/OFF

1. Switch on the scale by pressing **ON/OFF** key. Display will show the scale version and will start self-checking.
2. After self-checking, display will show normal weighing mode.
3. To switch off the scale, press **ON/OFF** key again.

ZERO

Set the display to zero any time by pressing the **ZERO** key to ensure that the weighing starts at zero.

TARE

Tare allows the scale to automatically deduct the weight of the container used to hold item samples.

TARING A CONTAINER

1. Load weight on the hook.
2. Press **TARE** key. Zero is displayed, and tare is subtracted. The ▼ indicator above "Net" appears.
3. Remove weight from the hook. Tared weight is displayed. It can set only one tare value. It will be shown with a negative value.

CLEARING TARE

1. To clear the tare value, remove the load from the hook.
2. Press **TARE** key. Zero is displayed. The ▼ indicator above "Net" disappears.
3. Tare weight is cleared.

SELECTING WEIGHING UNITS

1. Load the weight on the hook.
2. Press **UNIT/M+** key in normal weighing mode. The weighing units will be converted from kg to lb.

OVERLOAD WARNING

Do not add an item that is over the maximum capacity. When display shows **--OL--**, remove the item on the hook to avoid damage to the load cell.

HOLD

1. Press **HOLD** key to lock the current weight value in normal weighing mode. The ▼ indicator above "Hold" appears.
2. Press **HOLD** key again. Display will return to normal weighing mode and the ▼ indicator above "Hold" disappears.

ACCUMULATED TOTAL



NOTE: The scale can be set to accumulate manually by pressing and holding the **UNIT/M+** key.



NOTE: Before every accumulation, scale needs to return to zero. Only hold **UNIT/M+** key when weight is stable. If weight is less than 20d, accumulation will be invalid.

ACCUMULATION

1. The weight displayed will be stored in memory when the **UNIT/M+** key is pressed and held, and the weight is stable.
2. The display will show **ACC 01** then the total in memory for two seconds before returning to normal. After accumulation, the ◀ indicator on the right side of "M+" appears.
3. Remove the weight, allow the scale to return to zero and put a second weight on. Press and hold the **UNIT/M+** key. The display will show **ACC 02** and then show the new total.
4. Repeat until all weights have been added.

MEMORY RECALL

To view the totals in memory, press and hold the **UNIT/M+** key in zero point. The number weighed followed by the total weight will be displayed for two seconds.

MEMORY CLEAR

Press **ZERO** key to clear the memory. The ◀ indicator on the right side of "M+" disappears.

AUTO POWER-OFF SETTING

When the auto power-off time is enabled, the scale will automatically turn off when there has been no load on the platform and the scale is stable at zero position for a specific period of time (in minutes). To enable the function, see parameter F8 OF.


1. Press **TARE** key to select the options.
2. Press **ZERO** key to confirm.
3. Press **UNIT/M+** key to escape from the settings.

F8 OF	Of 0	To set auto off function turn off, for scale always on.
	Of 5	Set to turn off after 5 minutes of inactivity.
	Of 10	Set to turn off after 10 minutes of inactivity.
	Of 20	Set to turn off after 20 minutes of inactivity.
	Of 30	Set to turn off after 30 minutes of inactivity.

BACKLIGHT SETTING

1. Hold **ZERO** key in normal weighing mode. The display will show *BK AU*.
2. Press **TARE** key to select the options.
3. Press **ZERO** key to confirm.

Bk au	To set auto option. When scale is in use, backlight will be on and when off, backlight will turn off.
Bk on	To set always on. After turning on the power, backlight will be on.
Bk of	To set backlight off. No backlight during operation.

 **NOTE:** If the battery gets low, the backlight function will not be available.

TIME AND DATE SETTING

TIME SETTING

1. Turn on the scale.
2. Press **TARE** key during startup until display shows *PI---*.
3. Input password. The default password is 000.
4. Press **UNIT/M+** key to move the active digit. Press **TARE** key to increment a digit. Press **ZERO** key to confirm. Display will show *FD CAL*.
5. Press **TARE** key until display shows *F5 TI*.
6. Press **ZERO** key to enter. Time starts to blink.
7. Use **UNIT/M+** key to move the active digit. Press **TARE** key to increment a digit.
8. Press **ZERO** key to confirm and return to setting mode.

DATING SETTING

1. Turn on the scale.
2. Press **TARE** key during startup until display shows *PI---*.
3. Input password. The default password is 000.
4. Press **UNIT/M+** key to move the active digit. Press **TARE** key to increment a digit. Press **ZERO** key to confirm. Display will show *FD CAL*.
5. Press **TARE** key until display shows *F6 DR*.
6. Press **ZERO** key to enter. The date starts to blink.
7. Using **UNIT/M+** key to move the active digit. Press **TARE** key to increment a digit.
8. Press **ZERO** key to confirm and return to setting mode.

REMOTE CONTROLLER

Crane scale comes with a remote control. There are four keys on the remote.

Pull out the antenna before operating the remote control. The operating distance is approximately 13', but exact distance depends on the environment.

The red LED must light up when any button is pressed. If it does not light up, replace batteries in the remote control.

OVERLOAD RECORDS

Do not add an item that is over the maximum capacity. When reading shows *---OL---* and a beeping sound is heard, remove the item on the hook to avoid damage to the load cell.

Once overloaded, the overload records will be recorded. See parameter F9 OVE.

CHECK OVERLOAD RECORDS

1. Turn on the scale.
2. Press **TARE** key during startup until display shows *PI---*.
3. Input password. The default password is 000.
4. Press **UNIT/M+** key to move the active digit. Press **TARE** key to increment a digit. Press **ZERO** key to confirm. Display will show *FD CAL*.
5. Press **TARE** key until display shows *F9 OVE*.
6. Press **ZERO** key to confirm. The display will show the overload number.
7. Using **TARE** key to select the overload number option.
8. Press **ZERO** key to confirm. The date, time and the overload weight will be shown on the display.

PARAMETERS

PARAMETER SETTING

ENTER THE MENU

1. Turn on the scale.
2. Press **TARE** key during startup until display shows *PI---*.
3. Input password. The default password is 000.
4. Press **TARE** key to increment a digit.
5. Press **UNIT/M+** key to move the active digit.
6. Press **ZERO** key to confirm. Display will show *F0 CAL*.

ENTER THE SELECTED MENU

7. Press **ZERO** key to confirm which will be displayed.

SELECT THE MENU

8. Press **TARE** key to choose menu.

ESCAPE FROM THE MENU

9. Press **UNIT/M+** key to escape from the setting menu.

MENU BLOCK

MENU	DESCRIPTION		
<i>F0 CAL</i>	Line		Linear Calibration
	Offline		Normal Calibration
<i>F1 CAP</i>	Ut kg.	Single	1,500
			3,000
	Ut lb.	Single	3,300
			6,600
			To select the capacity 1.5 t / 3 t
			To select the capacity 3,300 lb. / 6,600 lb.
<i>F2 SP</i>	Slow		Set AD Speed.
	Mid		
	Fast		
<i>F3 INP</i>	To show the internal counts.		
<i>F4 GRA</i>	Set your local gravity value.		
<i>F5 TI</i>	00:00		Set Time
<i>F6 DR</i>	00:00:00		Set Date
<i>F7 ST</i>	ON		Multi-tare function on
	OFF		Multi-tare function off
<i>F8 OF</i>	Set Automatic Turn-off		
	0		Scale will turn off after five minutes.
	5		
	10		Scale will turn off after 10 minutes.
	20		Scale will turn off after 20 minutes.
	30		Scale will turn off after 30 minutes.
<i>F9 OVE</i>	To view the counts of overload		

CALIBRATION

Single point calibration uses two calibration points: zero and any weight between 1/3 of the scale's capacity and the full weight of the scale capacity. Refer to the calibration weights charts below.

CALIBRATION WEIGHT (LB.)

MODEL #	1/3 WEIGHT (MINIMUM)	FULL CAPACITY (MAXIMUM)
TN-3300lb	1,100 lb.	3,300 lb.

CALIBRATION IN LB MODE

1. Press **ON/OFF** key to turn on the scale.
2. Press **TARE** key during startup until display shows *PI---*.
3. Input password. The default password is 000.
4. Press **TARE** key to increment a digit. Press **UNIT/M+** key to move the active digit.
5. Press **ZERO** key to confirm. Display will show *FD CAL*.
6. Press **TARE** key to select *FI CRP*.
7. Press **ZERO** key to confirm. Display will show *UT HG*.
8. Press **TARE** key to select ut lb.
9. Press **ZERO** key to enter. Display will show *SINGLE*.
10. Press **ZERO** key to confirm. Display will show *3300*.
11. Press **ZERO** key to confirm and return to setting mode.
12. Press **TARE** key until display shows *FD CAL*.
13. Press **ZERO** key to enter calibration. Display will show *UNLINE*.
14. Press **ZERO** key to confirm. Display will show *UNLOAD*.
15. Empty the hook. When the ▼ indicator above "Stable" appears, press **ZERO** key to confirm. Display will show calibration weight value.
16. Weight value can be changed. Use **HOLD** key to clear the active digits. Use **UNIT/M+** key to move the active digit right. Use **TARE** key to increment a digit.
17. Press **ZERO** key to confirm.
18. Display will show *LOAD*. Add calibration mass weight on the hook.
19. When the ▼ indicator above "Stable" appears, press **ZERO** key to confirm. Display will show *PASS*.
20. Remove the weight from the hook. It will self-check and return to normal weighing mode.

CALIBRATION IN KG MODE

1. Press **ON/OFF** key to turn on the scale.
2. Press **TARE** key during startup until display shows *PI---*.
3. Input password. The default password is 000.
4. Press **TARE** key to increment a digit.
5. Press **UNIT/M+** key to move the active digit.
6. Press **ZERO** key to confirm. Display will show *FD CAL*.
7. Press **TARE** key to select *FI CAL*.
8. Press **ZERO** key to confirm. Display will show *UT HG*.
9. Press **ZERO** key to enter. Display will show *SINGLE*.
10. Press **ZERO** key to confirm. Display will show *1500*.
11. Press **ZERO** key to confirm and return to setting mode.
12. Press **TARE** key until display shows *FD CAL*.
13. Press **ZERO** key to enter calibration. Display will show *UNLINE*.
14. Press **ZERO** key to confirm. Display will show *UNLOAD*.
15. Empty the hook. When the ▼ indicator above "Stable" appears, press **ZERO** key to confirm. Display will show calibration weight value.
16. Weight value can be changed. Use **HOLD** key to clear the active digits. Use **UNIT/M+** key to move the active digit right. Use **TARE** key to increment a digit.
17. Press **ZERO** key to confirm.
18. Display will show *LOAD*. Add calibration mass weight on the hook.
19. When the ▼ indicator above "Stable" appears, press **ZERO** key to confirm. Display will show *PASS*.
20. Remove the weight from the hook. It will self-check and return to normal weighing mode.

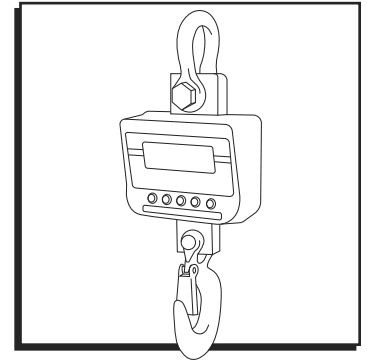
TROUBLESHOOTING

ERROR CODES

ERROR MESSAGE	DESCRIPTION	SOLUTION
<i>Err 4</i>	Zero setting error.	Zero setting range exceeded due to switching on (4% max). Ensure no weight is on the scale.
<i>--OL--</i>	Over range.	Remove the load. Recalibrate.
<i>LO-BAT</i>	Low battery indicator.	Charge the battery.
<i>FAIL</i>	Calibration error.	Check the test weights and recalibrate.
<i>Err 17</i>	Tare out of range.	Remove weight or overload. Remove the load and restart scale again.
<i>Err 6</i>	A/D value out of range.	Ensure no weight is on the scale. Check the load cell connectors.



1-800-295-5510
uline.com



SEGURIDAD



¡ADVERTENCIA! Desconecte toda la energía de la unidad antes de instalarla, limpiarla o darle mantenimiento. No hacerlo podría resultar en lesiones personales o daños a la unidad.



¡PRECAUCIÓN! Solo personas calificadas deben dar mantenimiento a esta báscula.

Antes de conectar o desconectar cualquier componente, desconecte toda la energía de la unidad.

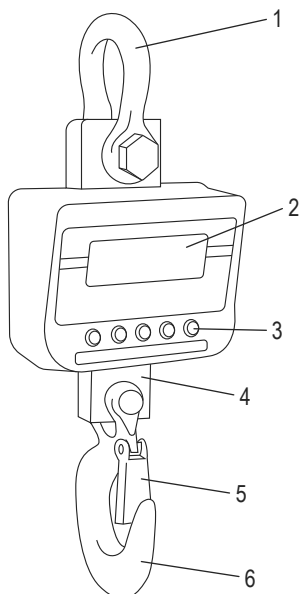
No observar estas precauciones podría resultar en lesiones personales o daños a las básculas.

- Utilice la báscula para grúa solo para levantar y pesar cargas de movimiento libre.
- No se pare o camine bajo cargas suspendidas.

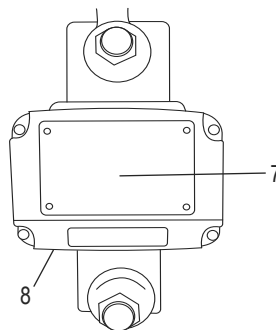
- No exceda la carga nominal de la báscula para grúa.
- Utilice solo el adaptador original. Otros adaptadores podrían causar daños a la báscula.
- El equipo se debe instalar cerca de un tomacorriente fácilmente accesible.
- Evite las fuentes de alimentación inestables. No utilice cerca de grandes consumidores de electricidad como equipo de soldadura o motores grandes.
- Evite los cambios de temperatura repentinos, vibraciones, viento y agua.
- Al trabajar con la grúa y la báscula para grúa, use equipo de seguridad personal (casco, zapatos de seguridad, etc.).

PARTES

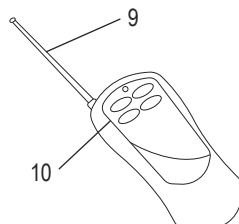
VISTA FRONTAL



VISTA POSTERIOR



CONTROL REMOTO



#	DESCRIPCIÓN
1	Presilla
2	Pantalla de Peso
3	Teclado
4	Cubierta de la Carga
5	Soporte de Seguridad
6	Gancho
7	Tapa de las Baterías
8	Enchufe para el Adaptador AC
9	Antena
10	Teclado del Controlador

DATOS TÉCNICOS

ESPECIFICACIONES GENERALES

Capacidad Máxima	1,496 kg (3,300 lb.)
Capacidad Mínima	4 kg (10 lb.)
Legibilidad	0.23 kg (0.5 lb.)
Divisiones Máx.	1/6600
Rango de Tara	-1,496.6 kg (-3,299.5 lb.)
Linealidad +/-	0.5 kg (1 lb.)
Unidades de Pesaje	lb./kg.
Pantalla	Pantalla digital LCD de 2.99 cm (1.18") de 6 dígitos
Cubierta	Aluminio Fundido
Temperatura de Funcionamiento	-10°F-40°C (14°F-104°F)
Corriente	Entrada: AC 100-240 V 50-60 Hz. Salida: DC 12 V/2,500 mAh Batería Recargable Estándar (7.4 V/5,200 mAh) Nombre de la Batería: Batería de Iones de Litio Modo de la Batería: 18,650/2S2P/5,200 mAh/7.4 V Celda de la Batería: 18,650/2,600 mAh/3.7 V Período de Almacenamiento de la Batería: 1 año
Vida Útil de la Batería	Aprox. 60 Horas (con luz de fondo) Aprox. 72 Horas (sin luz de fondo)
Control Remoto	Batería Alcalina de 12 V/23 A *Dimensiones (Ancho x Profundidad x Alto) 48 x 16 x 95 mm
Teclado	5 Teclas Mecánicas
Protección IP	IP65
Dimensiones de la Báscula (Ancho x Prof. x Alto)	20.1 x 12.9 x 47.8 cm (7.9 x 5.1 x 18.8")
Peso	8.2 kg (18 lb.)

ESPECIFICACIONES DE LA BATERÍA

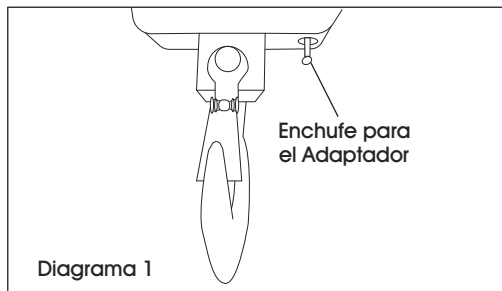
Artículos	Parámetro	Comentarios
Capacidad Clasificada	5,200 mAh	Descarga: 0.2 C Voltaje de Desconexión: 2.
Capacidad Mínima	5,000 mAh	
Energía	38.48 Wh	-----
Voltaje Nominal	7.4 V	-----
Voltaje Abierto	7.6-8.2 V	-----
Voltaje de Carga	≥7.4 V	10
Impedancia Interna	≤250 m	AC 1 KHz (después de la carga estándar)
Voltaje de Carga	8.4 V	-----
Corriente de Carga Estándar	2,600 mA	0.5 C
Corriente de Carga Máxima	2,600 mA	0.5 C
Corriente de Descarga Estándar	1,040 mA	0.2 C
Corriente de Descarga Máxima	2,600 mA	0.5 C
Voltaje de Desconexión de Descarga	5.5 V	-----
Temperatura de Funcionamiento	0-45°C (32°-113°F)	Carga
	-20-60°C (-4°-140°F)	Descarga
Temperatura de Almacenamiento	-20-60°C (-4°-140°F)	Menos de 1 mes

INSTALACIÓN

- Utilice la báscula en un lugar libre de vibración excesiva, calor y humedad.
- Coloque la báscula de modo que los rayos del sol no den directamente sobre el panel de la pantalla.
- La unidad se debe instalar a la altura correcta para permitir la lectura fácil de la pantalla y el funcionamiento conveniente del teclado.
- Las cargas que cuelgan del gancho deben ser cargas verticales.

CONEXIÓN ELÉCTRICA

- Conecte el pin del adaptador en el enchufe para el adaptador del indicador. El enchufe para el adaptador se ubica debajo de la báscula. (Vea Diagrama 1)



¡¡IMPORTANTE! El adaptador se conecta en el enchufe AC. El equipo que se conecta se debe instalar cerca de un tomacorriente de fácil acceso con un contacto protector a tierra.

BATERÍA RECARGABLE



NOTA: Cargue la batería antes de utilizar la báscula por primera vez.

- El indicador ▼ encima del indicador marca que la batería está baja. Si la báscula continúa usándose sin carga adecuada, las palabras *LO-BAT* parpadearán en la pantalla.
- Quedan aproximadamente 30 minutos del uso del equipo, después de los cuales la báscula se apagará automáticamente.
- Utilice el cargado de batería proporcionado para cargar la batería de inmediato, o la báscula no se podrá usar.

CARGAR LA BATERÍA

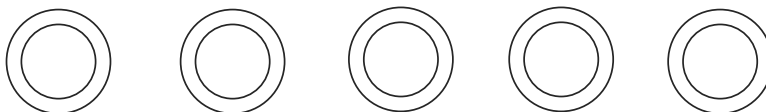
- Cargue la batería por lo menos cinco horas antes del primer uso.
- Cuando la báscula está conectada, la batería interna se cargará.
- Verifique que el tomacorriente AC esté adecuadamente protegido.
- El LED debajo del lado derecho de la pantalla de peso indica el estatus de carga de la batería.
 - Amarillo: La batería está cargando.
 - Rojo: La batería está casi descargada.
 - Verde: La batería tiene carga completa.

MANTENIMIENTO DE LA BATERÍA

- No utilice ningún otro tipo de adaptador de energía más que el proporcionado con la báscula.
- La batería recargable se debe cargar cada tres meses cuando no está en uso.
- Si la báscula no se utiliza por un periodo prolongado, retire la batería del compartimento de la batería para prevenir fugas.
- Almacene la batería en una caja o bolsa selladas en un ambiente seco y templado.

RESUMEN DE LOS CONTROLES

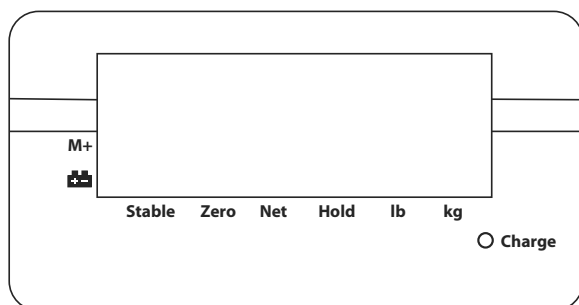
TECLADO



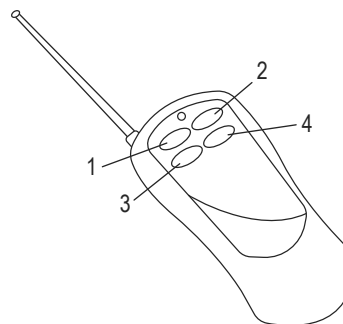
HOLD UNIT/M+ TARE ZERO ON/OFF

TECLA	FUNCIÓN PRINCIPAL	FUNCIÓN SECUNDARIA
HOLD	Tecla de retención de lectura. Se utiliza para retener el valor de lectura.	Borre los dígitos activos en el modo de ajuste.
UNIT/M+	Se utiliza para cambiar las unidades de pesaje.	Sostenga la tecla para añadir el valor a la memoria de acumulación. Tecla de flecha derecha. Se utiliza para mover el dígito a la derecha. Tecla de salida. Se utiliza para salir de los ajustes del menú.
TARE	Se utiliza para llevar a cabo una función de tara. Resta los pesos.	Tecla del menú de ajustes. Se utiliza para entrar al menú de ajustes durante la autocomprobación. Para cambiar la opción del menú en el menú de ajustes.
ZERO	Tecla cero. Se utiliza para borrar y poner la pantalla en cero.	Tecla de entrada. Se utiliza para entrar al menú, submenú y ajuste seleccionado.
ON/OFF	Tecla de Encendido/Apagado. Enciende/apaga la báscula.	-----

INDICADORES DE PANTALLA



CONTROL REMOTO



PANTALLA	DESCRIPCIÓN
M+	Indicador de acumulación. Indica que el valor se ha incluido a la memoria de acumulación.
	Indicador de batería. La batería se debe cargar cuando el símbolo está encendido.
Stable (Estable)	Indicador estable. Indica que el peso de la báscula se encuentra estable.
Zero (Cero)	Indicador cero. Indica que la báscula está en cero.
Net (Neto)	Indicador neto. Indica que la báscula muestra el peso neto.
Hold (Retener)	Indicador de bloqueo. Cuando este indicador está encendido, la báscula está en modo de bloqueo de lectura de datos.
lb/kg	Indicador de unidades de pesaje.
Carga	Indicador de carga. Indica el estatus de carga de la batería.

TECLA	FUNCIÓN
1	Para utilizar la acumulación y selección de unidades de pesaje.
2	Para utilizar el la función hold (retener).
3	Para utilizar la función zero (cero).
4	Para utiliza la función tare (tara).

ENCENDIDO INICIAL

Permita que la báscula se caliente 15 minutos después de encenderla la primera vez.

ENCENDIDO/APAGADO

1. Encienda la báscula presionando la tecla **ON/OFF (Encendido/Apagado)**. La pantalla mostrará la versión de la báscula y empezará la auto comprobación.
2. Después de la auto comprobación, la pantalla mostrará el modo de pesaje normal.
3. Para apagar la báscula, presione de nuevo la tecla **ON/OFF**.

CERO

Ponga la pantalla en cero en cualquier momento presionando la tecla **ZERO (Cero)** para asegurarse de que el pesaje comience en cero.

TARA

La tara permite que la báscula reste el peso del contenedor utilizado para retener las muestras de artículos.

TARAR UN CONTENEDOR

1. Cargue el peso en el gancho.
2. Presione la tecla **TARE (Tara)**. Aparece el cero en la pantalla y la tara será sustraída. El indicador ▼ aparecerá sobre "Net".
3. Retire el peso del gancho. Aparecerá el peso de la tara. Solo puede fijar un valor de tara. Aparecerá con valor negativo.

BORRAR TARA

1. Para borrar el valor de tara, retire la carga del gancho.
2. Presione la tecla **TARE**. Aparecerá cero. Desaparecerá el indicador ▼ sobre "Net".
3. El peso de tara se borra.

SELECCIONAR UNIDADES DE PESAJE

1. Cargue el peso en el gancho.
2. Presione la tecla **UNIT/M+** en el modo de pesaje normal. Las unidades de pesaje se convertirán de kg a lbs.

ADVERTENCIA DE SOBRECARGA

No agregue un artículo que exceda la capacidad máxima. Cuando la pantalla muestre **--OL--**, retire el artículo del gancho para evitar daños a la celda de carga.

RETENER

1. Presione la tecla **HOLD (Retener)** para retener el valor de pesaje actual en el modo de pesaje normal. Aparecerá el indicador ▼ sobre "Hold".
2. Presione la tecla **HOLD** de nuevo. La pantalla volverá al modo de pesaje normal y el indicador ▼ sobre "Hold" desaparecerá.

TOTAL ACUMULADO



NOTA: La báscula se puede ajustar para acumular manualmente presionando y sosteniendo la tecla **UNIT/M+**.



NOTA: Antes de cada acumulación, la báscula debe volver a cero. Solo sostenga la tecla **UNIT/M+** cuando el peso esté estable. Si el peso es menor de 20d, la acumulación será inválida.

ACUMULACIÓN

1. El peso en pantalla se almacenará en la memoria al presionar y sostener la tecla **UNIT/M+** y el peso esté estable.
2. La pantalla mostrará **RCC 01**, luego el total en la memoria durante dos segundos antes volver a la normalidad. Después de la acumulación, aparecerá el indicador ◀ en el lado derecho de "M+".
3. Retire el peso, permita que la báscula regrese a cero y coloque un segundo peso. Presione y sostenga el botón **UNIT/M+**. La pantalla mostrará **RCC 02** y luego el nuevo total.
4. Repita hasta que se hayan incluido todos los pesos.

EXTRAER MEMORIA

Para ver los totales de la memoria, presione y sostenga el botón **UNIT/M+** en punto cero. El número pesado seguido del peso total aparecerá durante dos segundos.

BORRAR MEMORIA

Presione la tecla **ZERO** para borrar la memoria. Desaparecerá el indicador ◀ en el lado derecho de "M+".

AJUSTE DE APAGADO AUTOMÁTICO

Cuando el tiempo de apagado automático está activo, la báscula se apagará automáticamente cuando no haya carga en la plataforma y la báscula esté estable en la posición cero por un periodo específico de tiempo (en minutos). Para activar la función, vea el parámetro F8 OF.

1. Presione la tecla **TARE** para seleccionar las opciones.
2. Presione la tecla **ZERO** para confirmar.
3. Presione la tecla **UNIT/M+** para salir de los ajustes.

F8 OF	De 0	Para desactivar la función de apagado automático y tener la báscula siempre encendida.
	De 5	Ajusta el apagado luego de 5 minutos de inactividad.
	De 10	Ajusta el apagado luego de 10 minutos de inactividad.
	De 20	Ajusta el apagado luego de 20 minutos de inactividad.
	De 30	Ajusta e apagado luego de 30 minutos de inactividad.

AJUSTE DE LA LUZ DE FONDO

1. Sostenga la tecla **ZERO** en el modo de pesaje normal. La pantalla mostrará **PH RU**.
2. Presione la tecla **TARE** para seleccionar las opciones.
3. Presione la tecla **ZERO** para confirmar.

Bk au	Para ajustar la función automática. Cuando la báscula está en uso, la luz de fondo estará encendida y cuando está apagada, la luz de fondo se apagará.
Bk on	Para ajustar a siempre encendida. Después de encender, la luz de fondo se encenderá.
Bk of	Para ajustar el apagado de la luz de fondo. Sin luz de fondo durante el funcionamiento.

 **NOTA:** Si la batería está baja, la función de luz de fondo no estará disponible.

AJUSTE DE HORA Y FECHA

AJUSTE DE HORA

1. Encienda la báscula.
2. Presione la tecla **TARE** durante el inicio hasta que la pantalla muestre **PI---**.
3. Ingrese la contraseña. La contraseña predefinida es 000.
4. Presione la tecla **UNIT/M+** para mover la cifra activa. Presione la tecla **TARE** para incrementar una cifra. Presione la tecla **ZERO** para confirmar. La pantalla mostrará **FD CAL**.

5. Presione el botón **TARE** hasta que la pantalla muestre **F5 TI**.
6. Presione la tecla **ZERO** para ingresarla. La hora comenzará a parpadear.
7. Utilice la tecla **UNIT/M+** para mover la cifra activa. Presione la tecla **TARE** para incrementar una cifra.
8. Presione la tecla **ZERO** para confirmar y volver al modo de ajustes.

AJUSTE DE FECHA

1. Encienda la báscula.
2. Presione la tecla **TARE** durante el inicio hasta que la pantalla muestre **PI---**.
3. Ingrese la contraseña. La contraseña predefinida es 000.
4. Presione la tecla **UNIT/M+** para mover la cifra activa. Presione la tecla **TARE** para incrementar una cifra. Presione la tecla **ZERO** para confirmar. La pantalla mostrará **FD CAL**.
5. Presione el botón **TARE** hasta que la pantalla muestre **F6 DR**.
6. Presione la tecla **ZERO** para ingresarla. La fecha comenzará a parpadear.
7. Utilice la tecla **UNIT/M+** para mover la cifra activa. Presione la tecla **TARE** para incrementar una cifra.
8. Presione la tecla **ZERO** para confirmar y volver al modo de ajustes.

CONTROL REMOTO

La báscula para grúa viene con control remoto. Hay cuatro teclas en el remoto.

Saque la antena antes de hacer funcionar el control remoto. La distancia de funcionamiento es de aproximadamente 4 metros (13'), pero la distancia exacta depende del ambiente.

El LED rojo se debe encender al presionar cualquier botón. Si no enciende, cambie las baterías del control remoto.

REGISTROS DE SOBRECARGA

No agregue un artículo que exceda la capacidad máxima. Cuando la pantalla muestre **--OL--** y se escuche un pitido, retire el artículo del gancho para evitar dañar la celda de carga.

Una vez sobrecargado, se grabarán los registros de sobrecarga. Vea el parámetro F9 OVE.

CONTINUACIÓN DE FUNCIONAMIENTO

REVISAR LOS REGISTROS DE SOBRECARGA

1. Encienda la báscula.
2. Presione la tecla **TARE** durante el inicio hasta que la pantalla muestre *PI---*.
3. Ingrese la contraseña. La contraseña predefinida es 000.
4. Presione la tecla **UNIT/M+** para mover la cifra activa. Presione la tecla **TARE** para incrementar una cifra. Presione la tecla **ZERO** para confirmar. La pantalla mostrará *FO CAL*.
5. Presione el botón **TARE** hasta que la pantalla muestre *F9 OWE*.
6. Presione la tecla **ZERO** para confirmar. La pantalla mostrará el número de sobrecarga.
7. Presione la tecla **TARE** para seleccionar las opción de número de sobrecarga.
8. Presione la tecla **ZERO** para confirmar. La fecha, hora y peso de sobrecarga aparecerán en la pantalla.

PARÁMETROS

AJUSTES DE PARÁMETRO

INGRESAR AL MENÚ

1. Encienda la báscula.
2. Presione la tecla **TARE** durante el inicio hasta que la pantalla muestre *PI---*.
3. Ingrese la contraseña. La contraseña predefinida es 000.
4. Presione la tecla **TARE** para incrementar una cifra.
5. Presione la tecla **UNIT/M+** para mover la cifra activa.

6. Presione la tecla **ZERO** para confirmar. La pantalla mostrará *FO CAL*.

ENTRAR AL MENÚ SELECCIONADO

7. Presione la tecla **ZERO** para confirmar cual aparecerá en pantalla.

SELECCIONAR EL MENÚ

8. Presione la tecla **TARE** para escoger el menú.

SALIR DEL MENÚ

9. Presione la tecla **UNIT/M+** para salir del menú de ajustes.

BLOQUE DE MENÚ

MENÚ	DESCRIPCIÓN		
<i>FO CAL</i>	Line (Línea)		Calibración Lineal
	Uline (Sin Línea)		Calibración Normal
<i>F1 CAP</i>	Ut kg.	Single (Individual)	1,500
			3,000
	Ut lb.	Single (Individual)	3,300
			6,600
<i>F2 SP</i>	Slow (Lenta)		Fija la Velocidad AD.
	Mid (Media)		
	Fast (Rápida)		
<i>F3 INP</i>	Para mostrar los conteos internos.		
<i>F4 GRV</i>	Ajusta su valor de gravedad local.		
<i>F5 TI</i>	0:00		Ajustar Hora
<i>F6 DR</i>	0:00:00		Ajustar Fecha
<i>F7 ST</i>	ON (Encendido)		Función de multitara encendida
	OFF (Apagado)		Función de multitara apagada
<i>F8 OF</i>	Ajustar Apagado Automático		
	0		La báscula se apagará luego de cinco minutos.
	5		
	10		La báscula se apagará luego de 10 minutos.
	20		La báscula se apagará luego de 20 minutos.
	30		La báscula se apagará luego de 30 minutos.
<i>F9 OWE</i>	Para ver los conteos de sobrecarga		

CALIBRACIÓN

La calibración de punto individual utiliza dos puntos de calibración: cero y cualquier peso entre 1/3 de la capacidad de la báscula y el peso completo de la capacidad de la báscula. Consulte las tablas de pesos de calibración a continuación.

PESO DE CALIBRACIÓN (LBS.)

MODELO NO.	1/3 DEL PESO (MÍNIMO)	CAPACIDAD TOTAL (MÁXIMA)
TN-3300lb	1,100 lb.	3,300 lb.

CALIBRACIÓN EN MODO LIBRAS (LB)

1. Presione la tecla **ON/OFF** para encender la báscula.
2. Presione la tecla **TARE** durante el inicio hasta que la pantalla muestre *PI---*.
3. Ingrese la contraseña. La contraseña predefinida es 000.
4. Presione la tecla **TARE** para incrementar una cifra. Presione la tecla **UNIT/M+** para mover la cifra activa.
5. Presione la tecla **ZERO** para confirmar. La pantalla mostrará *FO CAL*.
6. Presione la tecla **TARE** para seleccionar *FI CRP*.
7. Presione la tecla **ZERO** para confirmar. La pantalla mostrará *UT HG*.
8. Presione la tecla **TARE** para seleccionar *ut lb*.
9. Presione la tecla **ZERO** para ingresar. La pantalla mostrará *SINGLE*.
10. Presione la tecla **ZERO** para confirmar. La pantalla mostrará *3300*.
11. Presione la tecla **ZERO** para confirmar y volver al modo de ajustes.
12. Presione la tecla **TARE** hasta que la pantalla muestre *FO CAL*.
13. Presione la tecla **ZERO** para ingresar la calibración. La pantalla mostrará *UNLINE*.
14. Presione la tecla **ZERO** para confirmar. La pantalla mostrará *UNLOAD*.
15. Aligere el gancho. Cuando el indicador ▼ sobre "Stable" aparezca, presione la tecla **ZERO** para confirmar. La pantalla mostrará el valor de peso de calibración.
16. El valor de peso se puede cambiar. Utilice la tecla **HOLD** para borrar las cifras activas. Utilice la tecla **UNIT/M+** para mover la cifra activa a la derecha. Utilice la tecla **TARE** para incrementar una cifra.
17. Presione la tecla **ZERO** para confirmar.
18. La pantalla mostrará *LOAD*. Coloque el peso de la masa de calibración en el gancho.

19. Cuando el indicador ▼ sobre "Stable" aparezca, presione la tecla **ZERO** para confirmar. La pantalla mostrará *PASS*.
20. Retire el peso del gancho. Se autocomprobará y volverá al modo de pesaje normal.

CALIBRACIÓN EN MODO KILOS (KG)

1. Presione la tecla **ON/OFF** para encender la báscula.
2. Presione la tecla **TARE** durante el inicio hasta que la pantalla muestre *PI---*.
3. Ingrese la contraseña. La contraseña predefinida es 000.
4. Presione la tecla **TARE** para incrementar una cifra.
5. Presione la tecla **UNIT/M+** para mover la cifra activa.
6. Presione la tecla **ZERO** para confirmar. La pantalla mostrará *FO CAL*.
7. Presione la tecla **TARE** para seleccionar *FI CAL*.
8. Presione la tecla **ZERO** para confirmar. La pantalla mostrará *UT KG*.
9. Presione la tecla **ZERO** para ingresar. La pantalla mostrará *SINGLE*.
10. Presione la tecla **ZERO** para confirmar. La pantalla mostrará *1500*.
11. Presione la tecla **ZERO** para confirmar y volver al modo de ajustes.
12. Presione la tecla **TARE** hasta que la pantalla muestre *FO CAL*.
13. Presione la tecla **ZERO** para ingresar la calibración. La pantalla mostrará *UNLINE*.
14. Presione la tecla **ZERO** para confirmar. La pantalla mostrará *UNLOAD*.
15. Aligere el gancho. Cuando el indicador ▼ sobre "Stable" aparezca, presione la tecla **ZERO** para confirmar. La pantalla mostrará el valor de peso de calibración.
16. El valor de peso se puede cambiar. Utilice la tecla **HOLD** para borrar las cifras activas. Utilice la tecla **UNIT/M+** para mover la cifra activa a la derecha. Utilice la tecla **TARE** para incrementar una cifra.
17. Presione la tecla **ZERO** para confirmar.
18. La pantalla mostrará *LOAD*. Coloque el peso de la masa de calibración en el gancho.

CONTINUACIÓN DE CALIBRACIÓN

19. Cuando el indicador ▼ sobre "Stable" aparezca, presione la tecla **ZERO** para confirmar. La pantalla mostrará *PASS*.

20. Retire el peso del gancho. Se autocomprobará y volverá al modo de pesaje normal.

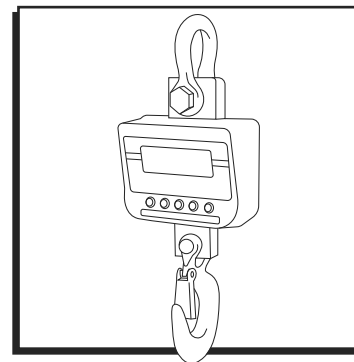
SOLUCIÓN DE PROBLEMAS

CÓDIGOS DE ERROR

MENSAJES DE ERROR	DESCRIPCIÓN	SOLUCIÓN
<i>Err 4</i>	Error de configuración cero.	Se ha superado el rango de configuración de cero debido al encendido (4% max). Revise que no haya peso sobre la báscula.
<i>--OL--</i>	Rango excedido.	Retire la carga. Recalibre.
<i>LO-BAT</i>	Indicador de batería baja.	Cargue la batería.
<i>FRIL</i>	Error de calibración.	Verifique los pesos de prueba y recalibre.
<i>Err 17</i>	Tara fuera de rango.	Retire el peso o la sobrecarga. Retire la carga y reinicie la báscula.
<i>Err 6</i>	Valor A/D fuera de rango.	Revise que no haya peso sobre la báscula. Revise los conectores de celda de carga.

ULINE

800-295-5510
uline.mx



SÉCURITÉ



AVERTISSEMENT! Débrancher toute source d'alimentation du dispositif avant de l'installer, de le nettoyer ou d'en faire l'entretien. Le non-respect de cette consigne peut entraîner des blessures corporelles ou endommager le dispositif.



MISE EN GARDE! Seul du personnel qualifié peut effectuer l'entretien de cette balance.

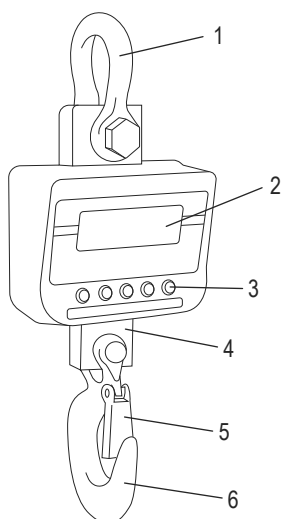
Couper l'alimentation de ce dispositif avant de brancher ou de débrancher toute composante.

Le non-respect de cette consigne peut entraîner des blessures corporelles ou endommager le dispositif.

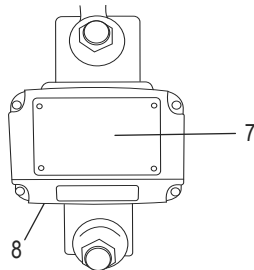
- Utiliser la balance de grue uniquement pour le levage et le pesage de charges librement déplaçables.
- Ne pas se tenir debout ni marcher sous des charges suspendues.
- Ne pas dépasser la charge nominale de la balance de grue.
- Utiliser uniquement l'adaptateur d'origine. Tout autre adaptateur risque d'endommager la balance.
- L'équipement branchable doit être installé à proximité d'une prise électrique facilement accessible.
- Éviter les sources d'alimentation instables. Ne pas utiliser ce dispositif à proximité d'équipements énergivores tels que des outils de soudage ou de gros moteurs.
- Éviter les changements brusques de température, les vibrations, le vent et l'eau.
- Porter un équipement de protection individuelle (casque, chaussures de sécurité, etc.) lors de l'utilisation de la grue ou de la balance.

PIÈCES

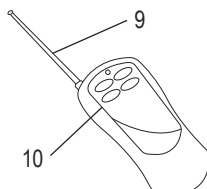
VUE AVANT



VUE ARRIÈRE



TÉLÉCOMMANDE



#	DESCRIPTION
1	Boucle
2	Écran d'affichage du poids
3	Clavier
4	Boîtier de charge
5	Support de sécurité
6	Crochet
7	Couvercle de la batterie
8	Douille de l'adaptateur c.a.
9	Antenne
10	Clavier de télécommande

DONNÉES TECHNIQUES

SPÉCIFICATIONS GÉNÉRALES

Capacité maximum	1 496 kg (3 300 lb)
Capacité minimum	4 kg (10 lb)
Précision de lecture	0,23 kg (0,5 lb)
Divisions max.	1/6 600
Plage de la tare	-1 496,6 kg (-3 299,5 lb)
Linéarité +/-	0,5 kg (1 lb)
Unités de pesage	lb/kg
Écran	Affichage numérique DEL de 2,99 cm (1,18 po) à 6 chiffres
Boîtier	Aluminium moulé sous pression
Température de fonctionnement	-10 °C à 40 °C (14 °F à 104 °F)
Puissance	Entrée : CA 100-240 V 50-60 Hz. Sortie : CC 12 V/ 2 500 mAh Batterie rechargeable standard (7,4 V/5 200 mAh) Type de batterie : Batterie Li-ion Mode de batterie : 18 650/2S2P/5 200 mAh/7,4 V Élément de batterie 18 650/2 600 mAh/3,7 V Durée de conservation de la batterie : 1 an
Autonomie de la batterie	Approx. 60 heures (avec rétroéclairage) Approx. 72 heures (sans rétroéclairage)
Télécommande	Pile alcaline 12 V/23 A *Dimensions (larg. x prof. x haut.) 48 x 16 x 95 mm
Clavier	5 touches mécaniques
Protection IP	IP65
Dimensions de la balance (larg. x prof. x haut.)	20,1 x 12,9 x 47,8 cm (7,9 x 5,1 x 18,8 po)
Poids	8,2 kg (18 lb)

SPÉCIFICATIONS DE LA BATTERIE

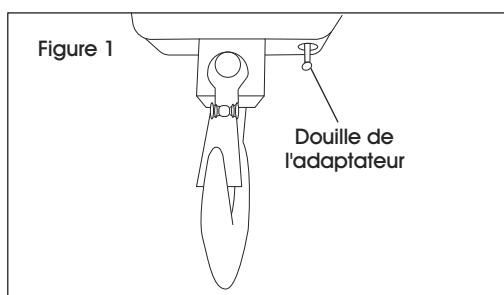
Articles	Paramètres	Commentaires
Capacité nominale	5 200 mAh	Décharge : 0,2 C Tension finale 2,75 V
Capacité minimale	5 000 mAh	
Énergie	38,48 Wh	-----
Tension nominale	7,4 V	-----
Tension en circuit ouvert	7,6 à 8,2 V	-----
Tension en charge	≥ 7,4 V	10
Impédance interne	≤ 250 m	CA 1 kHz (après une charge standard)
Tension de charge	8,4 V	-----
Courant de charge standard	2 600 mA	0,5 C
Courant de charge maximum	2 600 mA	0,5 C
Courant de décharge standard	1 040 mA	0,2 C
Courant de décharge maximum	2 600 mA	0,5 C
Tension finale de décharge	5,5 V	-----
Température de fonctionnement	0 °C à -45 °C (32 °F à 113 °F)	Charge
	-20 °C à 60 °C (-4 °F à 140 °F)	Décharge
Température de stockage	-20 °C à 60 °C (-4 °F à 140 °F)	Moins de 1 mois

INSTALLATION

- Utilisez la balance dans un endroit exempt de vibrations, de chaleur et d'humidité excessives.
- Positionnez la balance de façon à ce que les rayons solaires ne frappent pas directement l'écran d'affichage.
- Le dispositif doit être installé à la bonne hauteur pour permettre une lecture aisée de l'écran et une utilisation pratique du clavier.
- Les charges suspendues au crochet doivent être des charges verticales.

BRANCHEMENT ÉLECTRIQUE

- Branchez la broche de l'adaptateur dans la douille de l'adaptateur de l'indicateur. La douille de l'adaptateur est située sous la balance. (Voir Figure 1)



IMPORTANT! L'adaptateur se branche sur la prise électrique CA. Les appareils branchables doivent être installés à proximité d'une prise de courant facilement accessible et dotée d'un contact de protection avec la terre.

BATTERIE RECHARGEABLE



REMARQUE : Chargez la batterie avant d'utiliser la balance pour la première fois.

- L'indicateur ▼ au-dessus de l'indicateur signifie que le niveau de charge de la batterie est faible. Si la balance continue d'être utilisée sans être rechargée correctement, les mots *LO-BAT* clignoteront sur l'écran.
- Il reste environ 30 minutes d'utilisation de l'instrument, après quoi la balance s'éteint automatiquement.
- Utilisez le chargeur de batterie fourni pour recharger immédiatement la batterie, sans quoi la balance ne pourra plus être utilisée.

CHARGEMENT DE LA BATTERIE

- Chargez la batterie pendant au moins cinq heures avant la première utilisation.
- Lorsque la balance est branchée, la batterie interne est rechargée.
- Vérifiez que la prise d'alimentation CA est bien protégée.
- Le voyant à DEL situé sous le côté droit de l'écran d'affichage du poids indique le niveau de charge de la batterie.
 - Jaune : La batterie est en cours de chargement.
 - Rouge : La batterie est presque déchargée.
 - Vert : La batterie est complètement chargée.

ENTRETIEN DE LA BATTERIE

- N'utilisez aucun autre type d'adaptateur d'alimentation que celui fourni avec la balance.
- La batterie rechargeable doit être rechargée tous les trois mois lorsqu'elle n'est pas utilisée.
- Si la balance n'est pas utilisée sur une longue période, enlevez la batterie de son compartiment afin d'éviter les fuites.
- Entrez-la dans une boîte ou un sac scellé dans un endroit sec et tempéré.

APERÇU DES COMMANDES

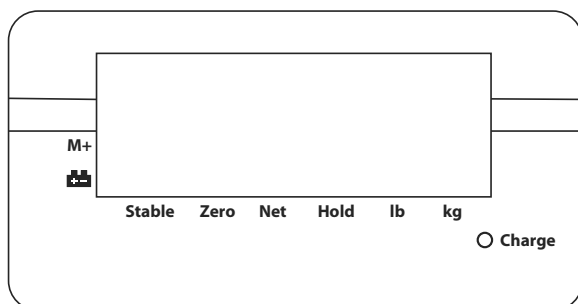
CLAVIER



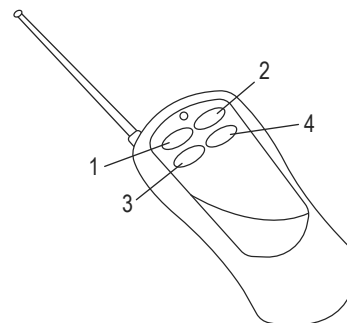
HOLD UNIT/M+ TARE ZERO ON/OFF

TOUCHE	FONCTIONS PRINCIPALES	FONCTIONS SECONDAIRES
HOLD	Touche de maintien de l'affichage. Utilisée pour maintenir la valeur affichée.	Effacer les chiffres actifs en mode de réglage.
UNIT/M+	Utilisée pour modifier l'unité de pesage.	Appuyer sur la touche pour ajouter la valeur dans la mémoire d'accumulation. Touche flèche droite. Utilisée pour déplacer un chiffre vers la droite. Touche d'échappement. Utilisée pour sortir des paramètres du menu.
TARE	Utilisée pour effectuer un tarage et soustraire le poids.	Touche du menu de configuration. Utilisée pour accéder au menu de configuration pendant l'autocontrôle. Pour modifier les options de menu dans l'écran des menus.
ZERO	Touche Zero. Utilisée pour effacer et remettre l'affichage à zéro.	Touche d'entrée. Utilisée pour entrer dans le menu, le sous-menu et le mode sélectionnés.
ON/OFF	Touche MARCHE/ARRÊT. Met la balance en marche/arrêt.	-----

INDICATEURS D'AFFICHAGE



TÉLÉCOMMANDE



AFFICHAGE	DESCRIPTION
M+	Indicateur d'accumulation. Indique que la valeur a été ajoutée dans la mémoire d'accumulation.
	Indicateur de batterie. La batterie doit être chargée lorsque le symbole est allumé.
Stable	Indicateur de stabilité. Indique que le poids sur la balance est stable.
Zero	Indicateur zéro. Indique que la balance est à zéro.
Net	Indicateur net. Indique que la balance affiche le poids net.
Hold	Indicateur de maintien de l'affichage. Lorsque cet indicateur est allumé, la balance maintient l'affichage des données.
lb/kg	Indicateur des unités de pesage.
Chargement	Indicateur de chargement. Indique le niveau de charge de la batterie.

TOUCHE	FONCTION
1	Pour utiliser la fonction d'accumulation ou sélectionner les unités de pesage.
2	Pour maintenir la valeur affichée.
3	Pour entrer zéro.
4	Pour effectuer un tarage.

PREMIER DÉMARRAGE

Laissez la balance se réchauffer pendant 15 minutes après le premier démarrage.

MARCHE/ARRÊT

1. Mettez la balance en marche en appuyant sur la touche **ON/OFF**. L'écran affiche la version de la balance et commence l'autocontrôle.
2. Après l'autocontrôle, l'écran affiche le mode de pesage normal.
3. Pour éteindre la balance, appuyez à nouveau sur la touche **ON/OFF**.

ZERO

Remettez l'affichage à zéro en tout temps en appuyant sur la touche **ZERO** afin que le pesage commence à zéro.

TARE

La fonction Tare (tarage) permet à la balance de déduire automatiquement le poids du contenant d'échantillons.

TARER UN CONTENANT

1. Mettez le poids sur le crochet.
2. Appuyez sur la touche **TARE**. L'affichage montre zéro et la tare est soustraite. L'indicateur ▼ apparaît au-dessus de « Net ».
3. Retirez le poids du crochet. La tare est affichée. Une seule valeur de tare peut être définie. Elle sera affichée en valeur négative.

EFFACER LA TARE

1. Pour effacer la valeur de la tare, enlevez le poids du crochet.
2. Appuyez sur la touche **TARE**. Zéro s'affiche. L'indicateur ▼ au-dessus de « Net » disparaît.
3. La tare est effacée.

CHOISIR LES UNITÉS DE PESAGE

1. Mettez le poids sur le crochet.
2. Appuyez sur la touche **UNIT/M+** en mode de pesage normal. Les unités de pesage seront converties de kg en lb.

AVERTISSEMENT DE SURCHARGE

N'ajoutez pas un d'article qui dépasse la capacité maximale. Lorsque l'écran affiche **--OL--**, enlevez l'article du crochet pour éviter d'endommager la cellule de charge.

HOLD

1. Appuyez sur la touche **HOLD** pour maintenir la valeur de poids actuelle en mode de pesage normal. L'indicateur ▼ apparaît au-dessus de « Hold ».
2. Appuyez à nouveau sur la touche **HOLD**. L'écran revient alors en mode de pesage normal et l'indicateur ▼ au-dessus de « Hold » disparaît.

TOTAL ACCUMULÉ



REMARQUE : La balance peut être réglée manuellement pour accumuler en appuyant longuement sur la touche **UNIT/M+**.



REMARQUE : Avant chaque accumulation, la balance doit être remise à zéro. Maintenez la touche **UNIT/M+** enfoncée seulement lorsque le poids est stable. Si le poids est inférieur à 20d, l'accumulation sera non valide.

ACCUMULATION

1. Le poids affiché est mis en mémoire lorsque la touche **UNIT/M+** est maintenue enfoncée et que le poids est stable.
2. L'écran affiche **ACC 01** puis le total en mémoire pendant deux secondes avant de revenir à la normale. Après l'accumulation, l'indicateur ◀ apparaît à la droite de « M+ ».
3. Enlevez le poids, laissez la balance revenir à zéro et ajoutez un deuxième poids. Appuyez longuement sur la touche **UNIT/M+**. L'écran affiche d'abord **ACC 02**, puis le nouveau total.
4. Répétez l'opération jusqu'à ce que tous les poids aient été ajoutés.

RAPPEL DE MÉMOIRE

Pour visualiser les totaux en mémoire, appuyez longuement sur la touche **UNIT/M+** au point zéro. Le nombre de pièces pesées suivi du poids total s'afficheront pendant deux secondes.

EFFAÇAGE DE LA MÉMOIRE

Appuyez sur la touche **ZERO** pour effacer la mémoire. L'indicateur ◀ à la droite de « M+ » disparaît.

RÉGLAGE DE LA MISE EN ARRÊT AUTOMATIQUE

Lorsque le temps d'arrêt automatique est activé, la balance s'éteint automatiquement lorsqu'il n'y a pas eu de charge sur la plateforme et que la balance est stable en position zéro pendant une durée spécifique (en minutes). Pour activer cette fonction, consultez les paramètres F8 OF du tableau ci-dessous.

1. Appuyez sur la touche **TARE** pour sélectionner les options.
2. Appuyez sur la touche **ZERO** pour confirmer.
3. Appuyez sur la touche **UNIT/M+** pour sortir des réglages.

F8 OF	Of 0	Pour désactiver la fonction d'arrêt automatique (la balance reste allumée indéfiniment).
	Of 5	Pour que l'appareil s'éteigne après 5 minutes d'inactivité.
	Of 10	Pour que l'appareil s'éteigne après 10 minutes d'inactivité.
	Of 20	Pour que l'appareil s'éteigne après 20 minutes d'inactivité.
	Of 30	Pour que l'appareil s'éteigne après 30 minutes d'inactivité.

RÉGLAGE DU RÉTROÉCLAIRAGE

1. Appuyez longuement sur la touche **ZERO** en mode de pesage normal. L'écran affiche **BH AU**.
2. Appuyez sur la touche **TARE** pour sélectionner les options.
3. Appuyez sur la touche **ZERO** pour confirmer.

Bk au	Pour régler l'option automatique. Le rétroéclairage est actif lorsque la balance est en marche, et inactif lorsqu'elle est éteinte.
Bk on	Pour activer le rétroéclairage indéfiniment. Après la mise en marche de la balance, le rétroéclairage sera actif.
Bk of	Pour désactiver le rétroéclairage. Pas de rétroéclairage pendant l'utilisation.

 **REMARQUE** : Si la batterie est faible, la fonction de rétroéclairage ne sera pas active.

RÉGLAGE DE LA DATE ET DE L'HEURE

RÉGLAGE DE L'HEURE

1. Mettez la balance en marche.
2. Appuyez sur la touche **TARE** pendant la mise en marche jusqu'à ce que l'écran affiche **PI---**.
3. Entrez le code d'accès. Le code d'accès par défaut est 000.
4. Appuyez sur la touche **UNIT/M+** pour modifier le chiffre actif. Appuyez sur la touche **TARE** pour augmenter d'un chiffre. Appuyez sur la touche **ZERO** pour confirmer. L'écran affiche **FD CAL**.

5. Appuyez sur la touche **TARE** jusqu'à ce que l'écran affiche **F5 TI**.
6. Appuyez sur la touche **ZERO** pour valider. L'affichage de l'heure commence à clignoter.
7. Appuyez sur la touche **UNIT/M+** pour décaler le chiffre actif. Appuyez sur la touche **TARE** pour augmenter d'un chiffre.
8. Appuyez sur la touche **ZERO** pour confirmer et revenir au mode de réglages.

RÉGLAGE DE LA DATE

1. Mettez la balance en marche.
2. Appuyez sur la touche **TARE** pendant la mise en marche jusqu'à ce que l'écran affiche **PI---**.
3. Entrez le code d'accès. Le code d'accès par défaut est 000.
4. Appuyez sur la touche **UNIT/M+** pour décaler le chiffre actif. Appuyez sur la touche **TARE** pour augmenter d'un chiffre. Appuyez sur la touche **ZERO** pour confirmer. L'écran affiche **FD CAL**.
5. Appuyez sur la touche **TARE** jusqu'à ce que l'écran affiche **F5 DR**.
6. Appuyez sur la touche **ZERO** pour valider. L'affichage de la date commence à clignoter.
7. Utilisez la touche **UNIT/M+** pour décaler le chiffre actif. Appuyez sur la touche **TARE** pour augmenter d'un chiffre.
8. Appuyez sur la touche **ZERO** pour confirmer et revenir au mode de réglages.

TÉLÉCOMMANDE

La balance de grue est vendue avec une télécommande. Il y a quatre touches sur la télécommande.

Sortez l'antenne avant d'utiliser la télécommande. La distance de fonctionnement est d'environ 4 m (13 pi), mais elle varie selon l'environnement.

Le voyant à DEL rouge doit s'allumer lorsque l'on appuie sur un bouton. S'il ne s'allume pas, remplacez les piles de la télécommande.

REGISTRE DES SURCHARGES

N'ajoutez pas un d'article qui dépasse la capacité maximale. Lorsque l'écran affiche **---DL---** et qu'un bip se fait entendre, retirez l'objet du crochet pour éviter d'endommager la cellule de charge.

Lorsqu'une surcharge est détectée, elle sera ajoutée au registre des surcharges. Consultez le paramètre F9 OVE de la section de menus plus bas.

FONCTIONNEMENT SUITE

CONSULTER LE REGISTRE DES SURCHARGES

1. Mettez la balance en marche.
2. Appuyez sur la touche **TARE** pendant la mise en marche jusqu'à ce que l'écran affiche *PI---*.
3. Entrez le code d'accès. Le code d'accès par défaut est 000.
4. Appuyez sur la touche **UNIT/M+** pour modifier le chiffre actif. Appuyez sur la touche **TARE** pour augmenter d'un chiffre. Appuyez sur la touche **ZERO** pour confirmer. L'écran affiche *FO CAL*.
5. Appuyez sur la touche **TARE** jusqu'à ce que l'écran affiche *F3 OVE*.
6. Appuyez sur la touche **ZERO** pour confirmer. L'écran affiche le numéro de surcharge.
7. Utilisez la touche **TARE** pour sélectionner l'option du numéro de surcharge.
8. Appuyez sur la touche **ZERO** pour confirmer. La date, l'heure et le poids de la surcharge seront affichés à l'écran.

PARAMÈTRES

RÉGLAGE DES PARAMÈTRES

ACCÉDER AU MENU

1. Mettez la balance en marche.
2. Appuyez sur la touche **TARE** pendant la mise en marche jusqu'à ce que l'écran affiche *PI---*.
3. Entrez le code d'accès. Le code d'accès par défaut est 000.
4. Appuyez sur la touche **TARE** pour augmenter d'un chiffre.
5. Appuyez sur la touche **UNIT/M+** pour modifier le chiffre actif.
6. Appuyez sur la touche **ZERO** pour confirmer. L'écran affiche *FO CAL*.

ACCÉDER AU MENU SÉLECTIONNÉ

7. Appuyez sur la touche **ZERO** pour confirmer le menu qui va s'afficher.

SÉLECTIONNER LE MENU

8. Appuyez sur la touche **TARE** pour choisir le menu.

SORTIR DU MENU

9. Appuyez sur la touche **UNIT/M+** pour sortir du menu des réglages.

SECTION DES MENUS

MENU	DESCRIPTION		
<i>FO CAL</i>	Line (linéaire)		Étalonnage linéaire
	Uline (non linéaire)		Étalonnage normal
<i>FI CAP</i>	Ut kg.	Single (simple)	1 500
			3 000
	Ut lb.	Single (simple)	3 300
			6 600
Pour sélectionner la capacité de 1,5 t / 3 t			
<i>F2 SP</i>	Slow (faible vitesse)		Régler la vitesse « AD ».
	Mid (vitesse moyenne)		
	Fast (vitesse rapide)		
<i>F3 INP</i>	Pour afficher les valeurs internes.		
<i>F4 GPR</i>	Pour régler la valeur de gravité locale.		
<i>F5 TI</i>	00:00	Pour régler l'heure	
<i>F6 DR</i>	00:00:00	Pour régler la date	
<i>F7 ST</i>	ON (marche)		Fonction multi-tare activée
	OFF (arrêt)		Fonction multi-tare désactivée
<i>F8 OF</i>	Pour régler l'arrêt automatique		
	0	La balance s'éteindra après cinq minutes.	
	5	La balance s'éteindra après cinq minutes.	
	10	La balance s'éteindra après 10 minutes.	
	20	La balance s'éteindra après 20 minutes.	
	30	La balance s'éteindra après 30 minutes.	
<i>F9 OVE</i>	Pour consulter les valeurs de surcharge.		

ÉTALONNAGE

L'étalonnage ponctuel utilise deux points d'étalonnage : zéro et tout poids se situant entre 1/3 de la capacité maximum et la capacité maximum de la balance. Consultez le tableau de poids d'étalonnage ci-dessous.

POIDS D'ÉTALONNAGE (lb)

N° DE MODÈLE	1/3 DU POIDS (MINIMUM)	PLEINE CAPACITÉ (MAXIMUM)
TN-3300lb	1 100 lb	3 300 lb

ÉTALONNAGE EN MODE lb

1. Appuyez sur la touche **ON/OFF** pour mettre la balance en marche.
2. Appuyez sur la touche **TARE** pendant la mise en marche jusqu'à ce que l'écran affiche *PI---*.
3. Entrez le code d'accès. Le code d'accès par défaut est 000.
4. Appuyez sur la touche **TARE** pour augmenter d'un chiffre. Appuyez sur la touche **UNIT/M+** pour modifier le chiffre actif.
5. Appuyez sur la touche **ZERO** pour confirmer. L'écran affiche *FD CAL*.
6. Appuyez sur la touche **TARE** pour sélectionner *FI CAP*.
7. Appuyez sur la touche **ZERO** pour confirmer. L'écran affiche *UT HG*.
8. Appuyez sur la touche **TARE** pour sélectionner ut lb.
9. Appuyez sur la touche **ZERO** pour valider. L'écran affiche *SINGLE*.
10. Appuyez sur la touche **ZERO** pour confirmer. L'écran affiche *3300*.
11. Appuyez sur la touche **ZERO** pour confirmer et revenir au mode de réglages.
12. Appuyez sur la touche **TARE** jusqu'à ce que l'écran affiche *FD CAL*.
13. Appuyez sur la touche **ZERO** pour valider l'étalonnage. L'écran affiche *UNLINE*.
14. Appuyez sur la touche **ZERO** pour confirmer. L'écran affiche *UNLOAD*.
15. Retirez la charge du crochet. Lorsque l'indicateur ▼ apparaît au-dessus de « Stable », appuyez sur la touche **ZERO** pour confirmer. L'écran affiche la valeur du poids d'étalonnage.

16. La valeur du poids peut être modifiée. Utilisez la touche **HOLD** pour effacer les chiffres actifs. Utilisez la touche **UNIT/M+** pour décaler le chiffre actif vers la droite. Appuyez sur la touche **TARE** pour augmenter d'un chiffre.
17. Appuyez sur la touche **ZERO** pour confirmer.
18. L'écran affiche *LOAD*. Ajoutez le poids d'étalonnage sur le crochet.
19. Lorsque l'indicateur ▼ apparaît au-dessus de « Stable », appuyez sur la touche **ZERO** pour confirmer. L'écran affiche *PASS*.
20. Retirez le poids du crochet. L'appareil effectue alors un autocontrôle et revient en mode de pesage normal.

ÉTALONNAGE EN MODE kg

1. Appuyez sur la touche **ON/OFF** pour mettre la balance en marche.
2. Appuyez sur la touche **TARE** pendant la mise en marche jusqu'à ce que l'écran affiche *PI---*.
3. Entrez le code d'accès. Le code d'accès par défaut est 000.
4. Appuyez sur la touche **TARE** pour augmenter d'un chiffre.
5. Appuyez sur la touche **UNIT/M+** pour modifier le chiffre actif.
6. Appuyez sur la touche **ZERO** pour confirmer. L'écran affiche *FD CAL*.
7. Appuyez sur la touche **TARE** pour sélectionner *FI CAL*.
8. Appuyez sur la touche **ZERO** pour confirmer. L'écran affiche *UT HG*.
9. Appuyez sur la touche **ZERO** pour valider. L'écran affiche *SINGLE*.
10. Appuyez sur la touche **ZERO** pour confirmer. L'écran affiche *1500*.
11. Appuyez sur la touche **ZERO** pour confirmer et revenir au mode de réglages.
12. Appuyez sur la touche **TARE** jusqu'à ce que l'écran affiche *FD CAL*.
13. Appuyez sur la touche **ZERO** pour valider l'étalonnage. L'écran affiche *UNLINE*.

ÉTALONNAGE SUITE

14. Appuyez sur la touche **ZERO** pour confirmer. L'écran affiche *UNLOAD*.
15. Retirez la charge du crochet. Lorsque l'indicateur ▼ apparaît au-dessus de « Stable », appuyez sur la touche **ZERO** pour confirmer. L'écran affiche la valeur du poids d'étalonnage.
16. La valeur du poids peut être modifiée. Utilisez la touche **HOLD** pour effacer les chiffres actifs. Utilisez la touche **UNIT/M+** pour décaler le chiffre actif vers la droite. Appuyez sur la touche **TARE** pour augmenter d'un chiffre.
17. Appuyez sur la touche **ZERO** pour confirmer.
18. L'écran affiche *LOAD*. Ajoutez le poids d'étalonnage sur le crochet.
19. Lorsque l'indicateur ▼ apparaît au-dessus de « Stable », appuyez sur la touche **ZERO** pour confirmer. L'écran affiche *PASS*.
20. Retirez le poids du crochet. L'appareil effectue alors un autocontrôle et revient en mode de pesage normal.

DÉPANNAGE

CODES D'ERREUR

CODES D'ERREUR	DESCRIPTION	SOLUTION
<i>Err 4</i>	Erreur de réglage à zéro.	La plage de réglage à zéro est dépassée en raison de la mise en marche (4% max). Assurez-vous qu'il n'y a aucune charge sur le crochet.
<i>--OL--</i>	Surcharge.	Retirez la charge. Réétalonnez.
<i>LO-BAT</i>	Indicateur de batterie faible.	Chargez la batterie.
<i>FAIL</i>	Erreur d'étalonnage.	Vérifiez les poids de contrôle et réétalonnez
<i>Err 17</i>	Tare hors de plage.	Retirez le poids ou la surcharge. Retirez la charge et redémarrez la balance.
<i>Err 5</i>	Valeur A/D hors de plage.	Assurez-vous qu'il n'y a aucune charge sur le crochet. Vérifiez les connecteurs de la cellule de charge.

ULINE

1 800 295-5510

uline.ca