



Before using the tool,  
read the operating  
instructions carefully.



OR 4000.16  
OR 4500.13

---

Combination tool for plastic strapping

 **ORGAPACK**

# 1 Technical data

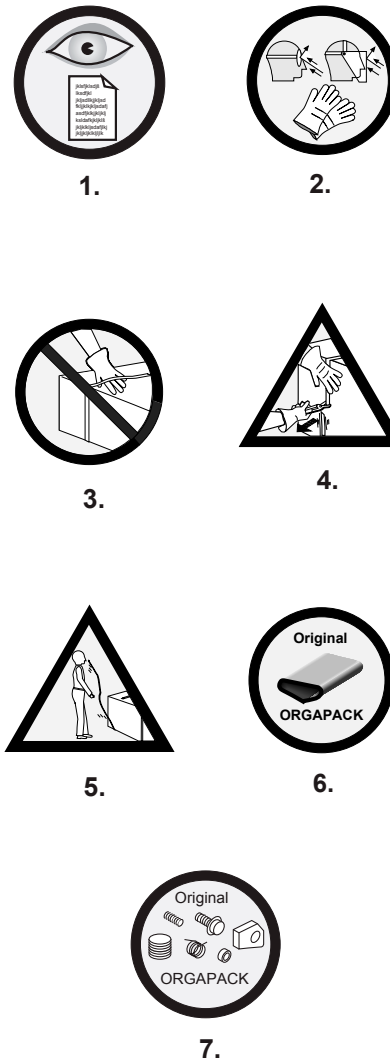
Weight	3.4 kg (7.5 lbs)
Strap tension	Depending on breaking strength of the strap
Sealing	With seal

Plastic strap	
Strap quality	Polypropylene (PP) Polyester (PET)
Strap width	
- OR 4000.16	15–16 mm (5/8")
- OR 4500.13	12–13 mm (1/2")
Thickness	
- OR 4000.16	0.5–1.0 mm *
- OR 4500.13	0.5–0.8 mm**

Seals	
- OR 4000.16	ORP 2300.16
- OR 4500.13	ORP 2100.13
*.019–.039", **.019–.031"	

# 2 Safety instructions

- 1. Inform yourself!**  
Before using the tool read the operating instructions carefully.
- 2. Protect yourself!**  
When operating the tool, wear eye-, face- and hand protection (cutting protected gloves).
- 3. Only strap packed goods!**  
Do not put hands or other parts of the body between the strap and the package.
- 4. Strap will snap forward when cutting!**  
When cutting the strap, hold the upper portion and stand a safe distance away from the strap. Caution: the lower strap will snap forward.
- 5. Strap could break during tensioning!**  
Do not stand in line with the strap while it is tensioned. The strap could break!
- 6. Original seals**  
Only use original ORGAPACK seals.
- 7. Original ORGAPACK spare parts!**  
Only original ORGAPACK spare parts may be used.



# 3 Operating

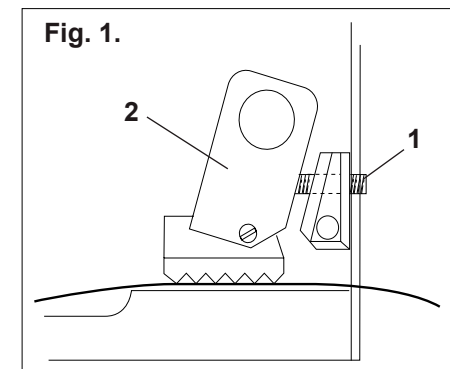
## Adjusting strap thickness

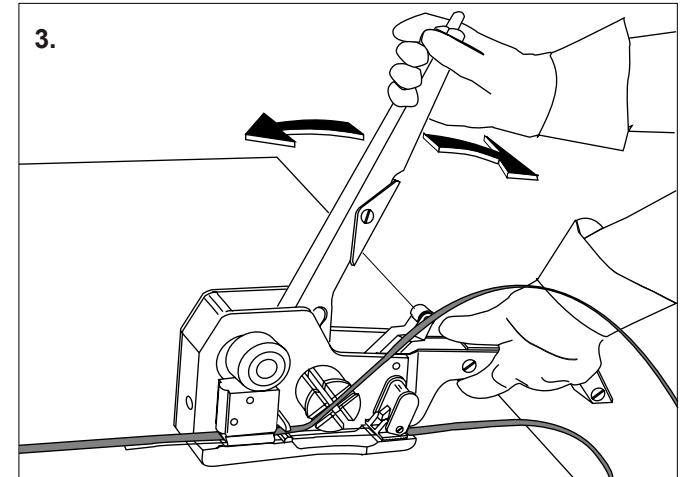
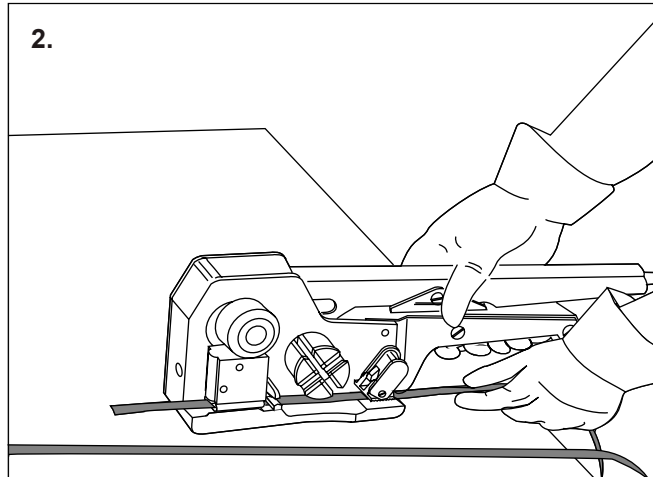
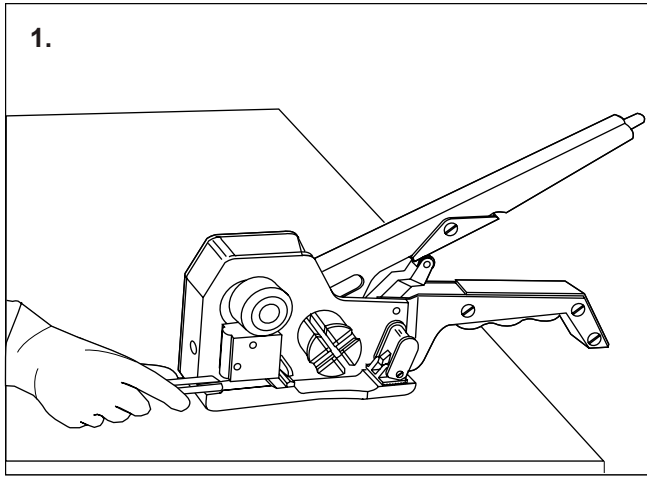


Before setting the tool into operation, make sure that the tool has been adjusted to the correct thickness of strapping in use.

**Fig. 1**

- Insert strap and tension it.
- In tensioned condition turn set screw (Fig. 1/1) up to the clamp frame (Fig. 1/2).
- If the strap slips, the threaded pin must be loosened 1/4 – 1/2 rotation.





Operating

**Fig. 1**

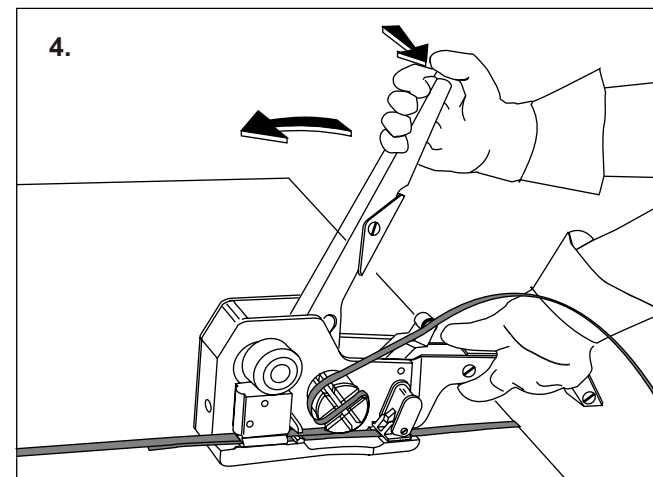
- Slide seal from the front into the tool up to the stop with the opening of the seal facing outwards.

**Fig. 2**

- Place the strap around the package.
- Press lever down to the stop. Insert strap into seal, under cutter and clamp plate. Release lever.

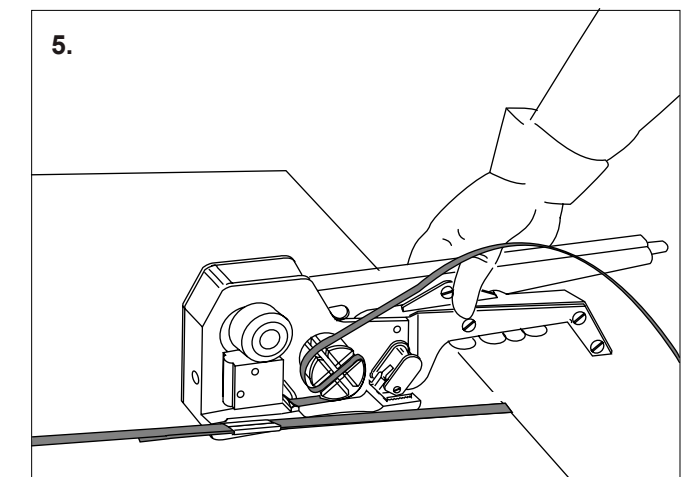
**Fig. 3**

- Pull strap from dispenser and lead around package. Insert strap into seal, cutter and windlass.
- Move the letter backwards and forwards until desired strap tension is reached.



**Fig. 4**

- Press button at the rear of the lever  
**Do not hold button**
- Use a little force (approx. 35 lbs/ 150 N) to move lever backwards forwards until seal is completely closed. More force cannot obtain a better closing but it can damage the tool.



**Fig. 5**

- Press lever down to the stop. Do not hold button at the rear of lever  
Turn tool away from the seal.

Maintenance note

Periodically lubricate all moving parts with one or two drops of light machine oil.