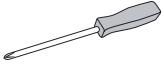


HEAVY DUTY

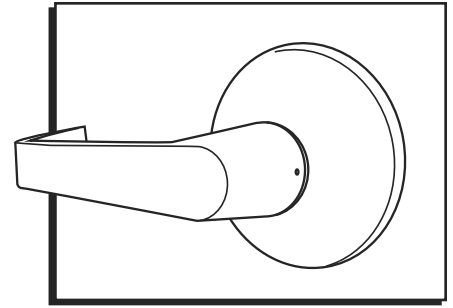
TOOLS NEEDED



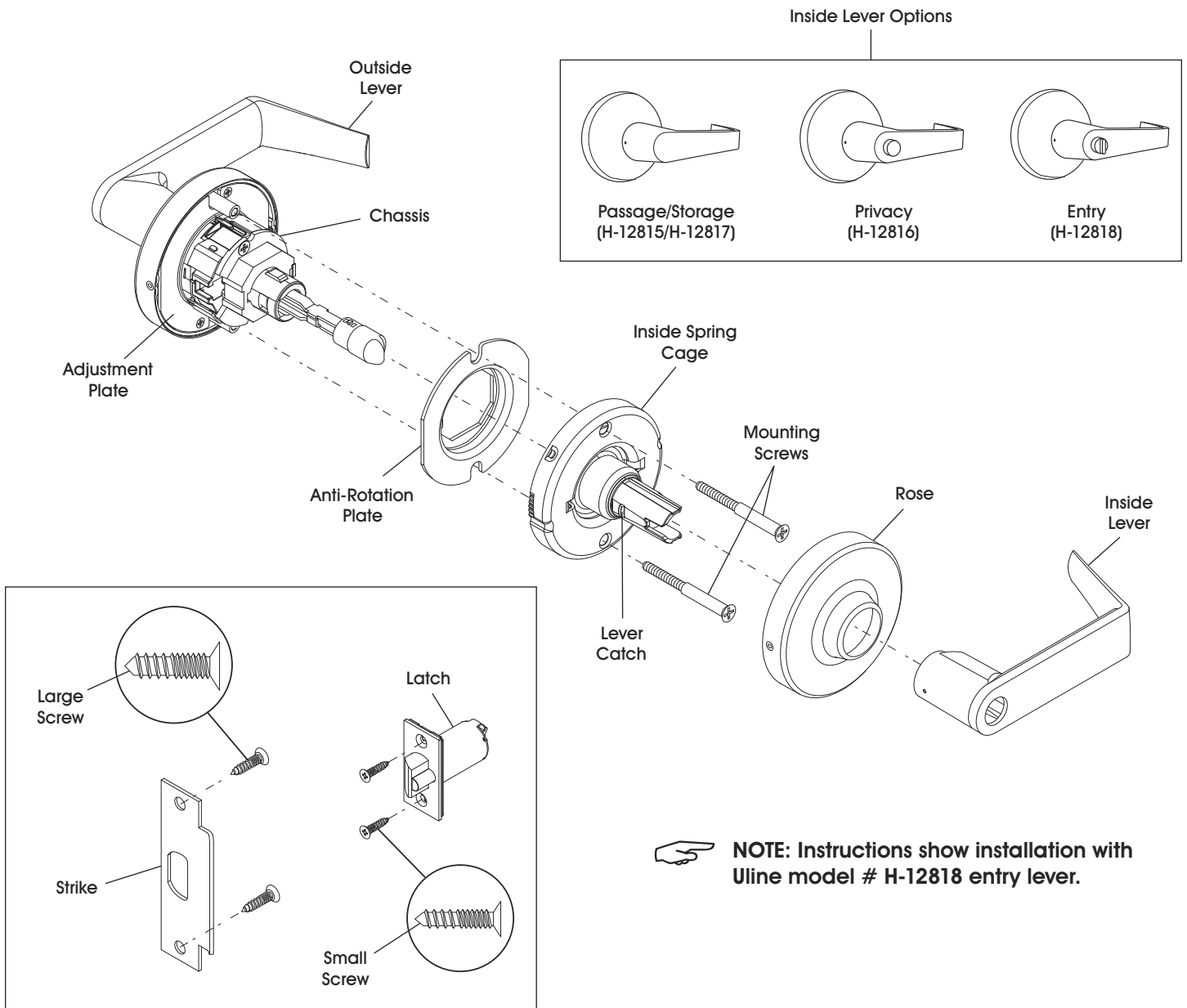
#2 Phillips
Screwdriver



Pin Wrench
(included)



PARTS

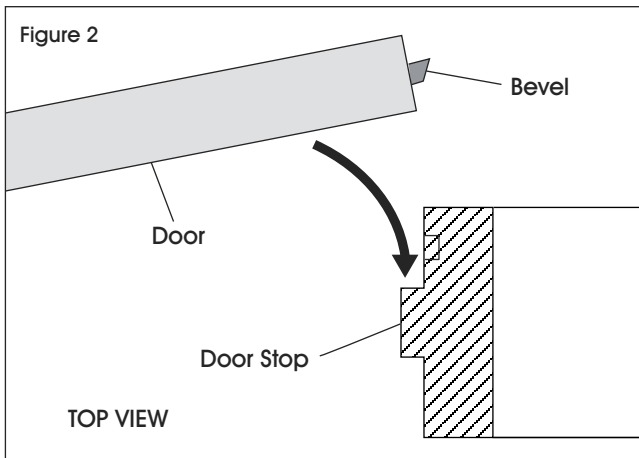
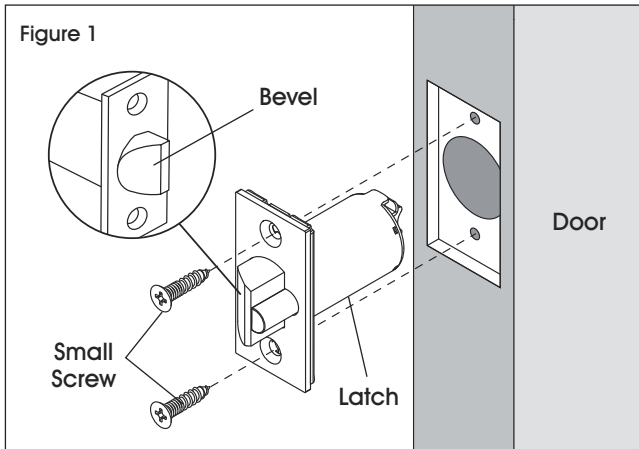


INSTALLATION

LATCH INSTALLATION

 **NOTE:** For door preparation, use the template included in the package with the lock.

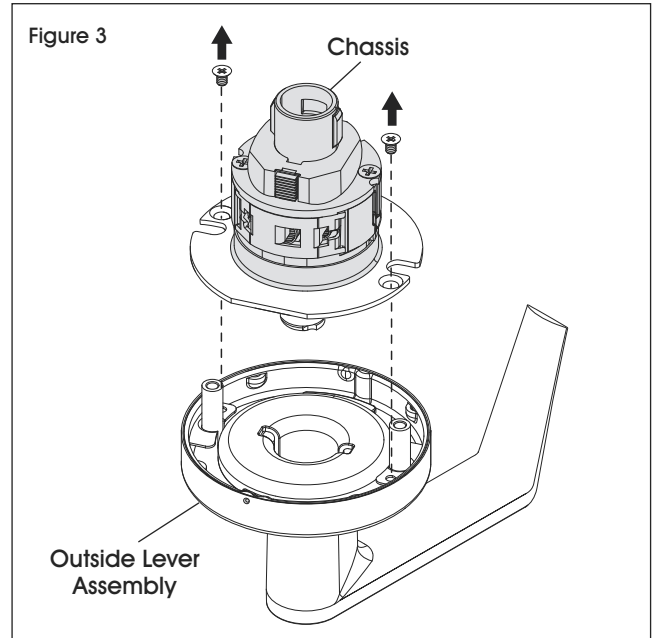
1. Install latch. The bevel must face toward the door stop. (See Figures 1-2)



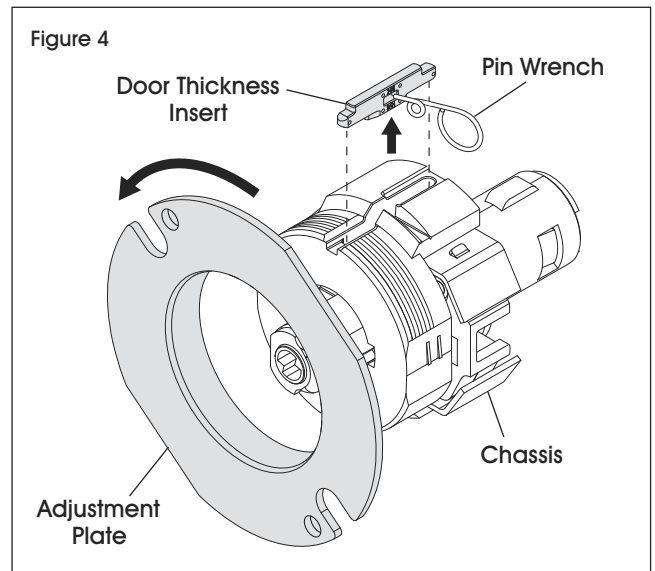
2. Adjust for door thickness as necessary.
 - For 1 $\frac{3}{4}$ " thick doors: No adjustment is required. Continue to Handle Installation on page 4.
 - For 1 $\frac{5}{8}$ ", 2" or 2 $\frac{1}{8}$ " thick doors: Complete the steps in the Door Thickness Adjustment section, then proceed to Handle Installation.

DOOR THICKNESS ADJUSTMENT

1. Using #2 Phillips screwdriver, unscrew screws and lift to separate chassis from outside lever assembly. (See Figure 3)



2. Rotate adjustment plate counterclockwise to remove from chassis. (See Figure 4)
3. Insert pin wrench into door thickness insert and lift to remove from chassis. (See Figure 4)

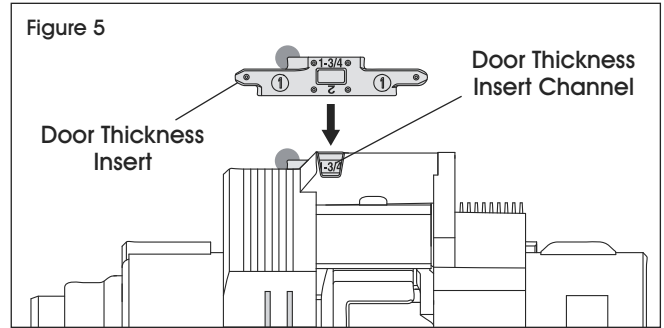



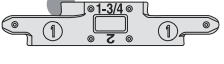
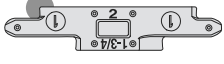
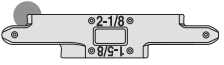
INSTALLATION CONTINUED

DOOR THICKNESS INSERT

4. Reorient and replace the door thickness insert. (See Figure 5)

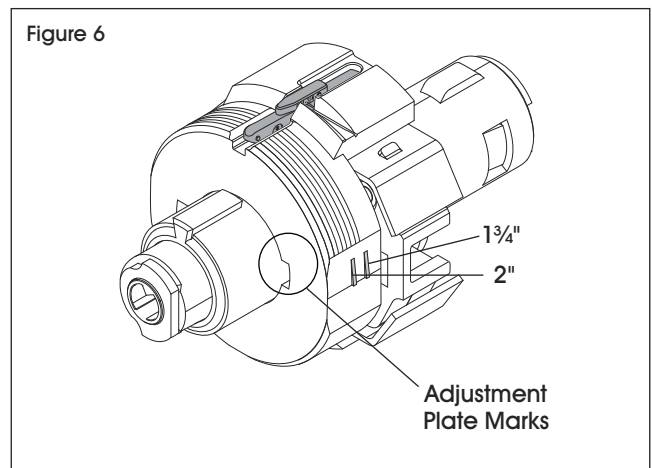
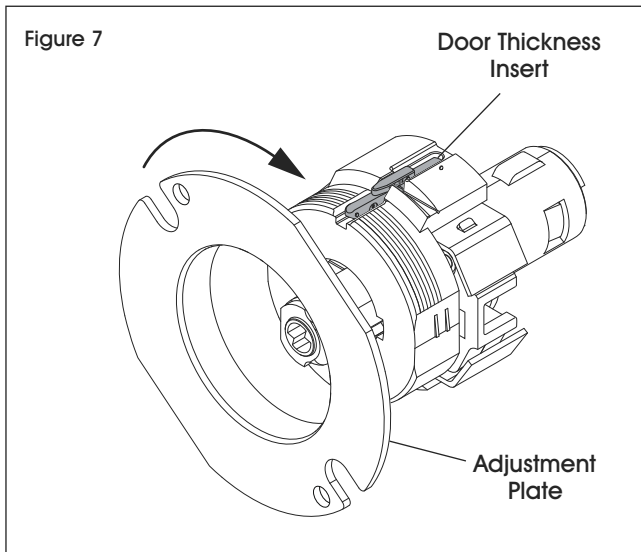
 **NOTE:** Refer to chart below for insert selection and adjustment.



DOOR THICKNESS	DOOR THICKNESS INSERT	ADJUSTMENT WITHOUT INSERT
1 5/8"		Tighten adjustment plate to bottom, then rotate a half turn counterclockwise.
1 3/4"		Align adjustment plate with 1 3/4" mark.
2"		Align adjustment plate with 2" mark.
2 1/8"		Align adjustment plate with 2" mark, then rotate an additional full turn counterclockwise.

5. Reinstall adjustment plate. Tighten until door thickness insert reaches notch in adjustment plate or align as described in table on previous page. (See Figure 7)

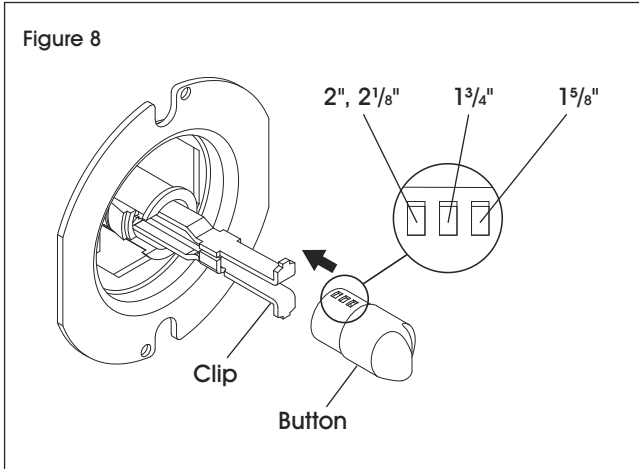
 **NOTE:** If door thickness insert is missing, align the adjustment plate to marks on chassis. (See Figure 6)



INSTALLATION CONTINUED



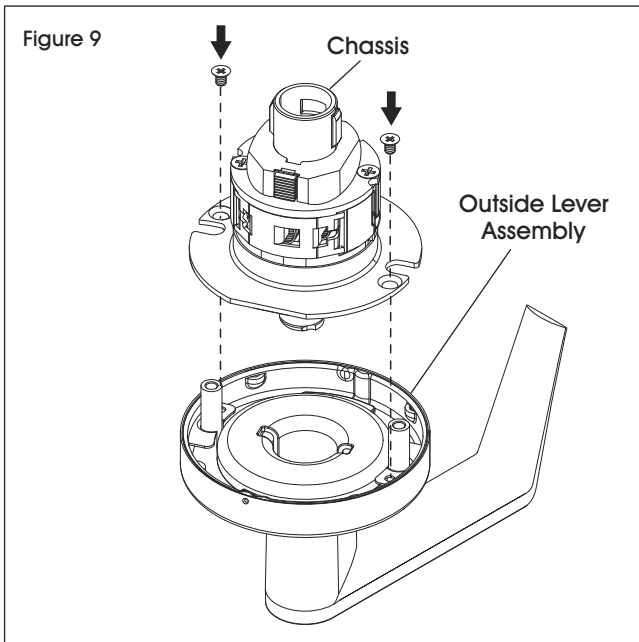
NOTE: If you purchased the H-12816 privacy or H-12818 entry lockset, push button and thumb turn can be adjusted. Move button in or out so the clip is seated in the hole corresponding to the thickness of the door. (See Figure 8)



6. Reattach the chassis to the outside lever assembly using previously removed screws. Tighten with #2 Phillips screwdriver until snug. (See Figure 9)

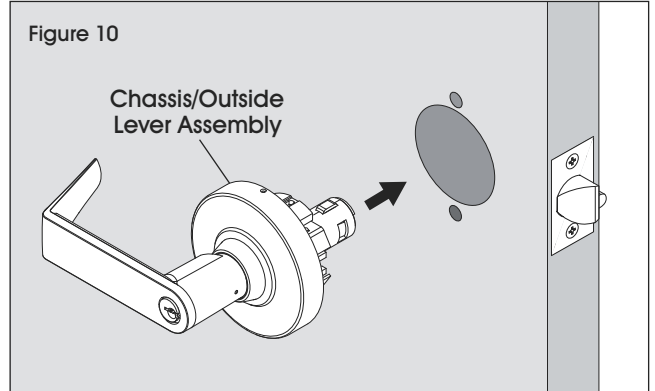


NOTE: Do not use a drill to tighten.



HANDLE INSTALLATION

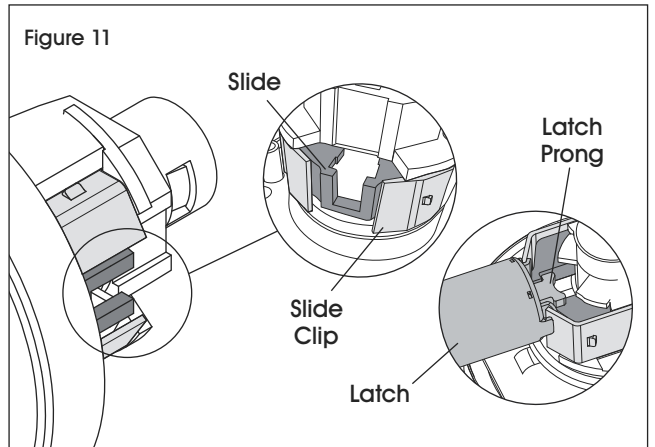
1. Install chassis/outside lever assembly. (See Figure 10)



2. Ensure door latch prongs fit between chassis slide and slide clip. (See Figure 11)

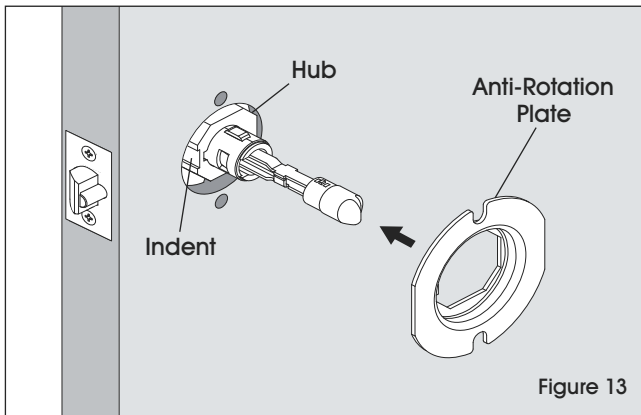
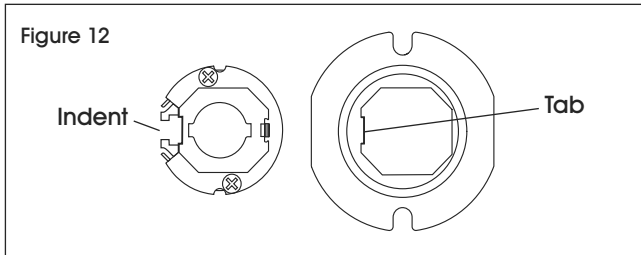


IMPORTANT! Push latch to center of slide. (See Figure 11)

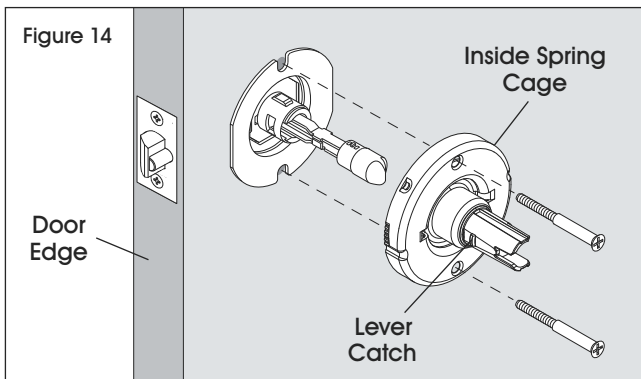


INSTALLATION CONTINUED

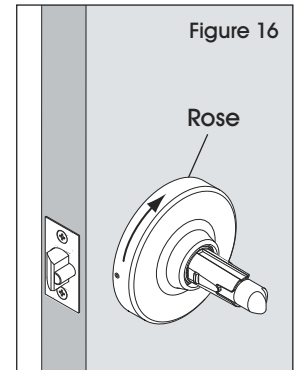
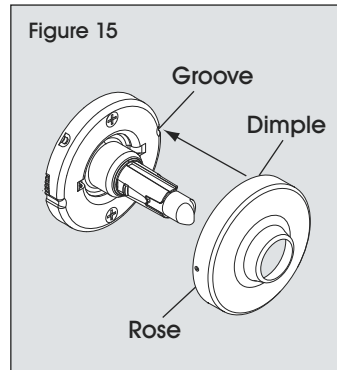
3. Install anti-rotation plate onto door. Align the tab with the indent on the hub. (See Figures 12-13)




4. Install inside spring cage with lever catch facing door edge. (See Figure 14)

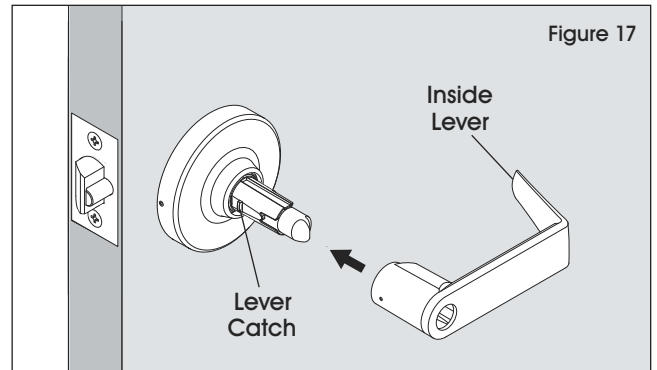


5. Install inside rose. Align dimple with groove on inside of rose and rotate rose clockwise until it stops. (See Figures 15-16)

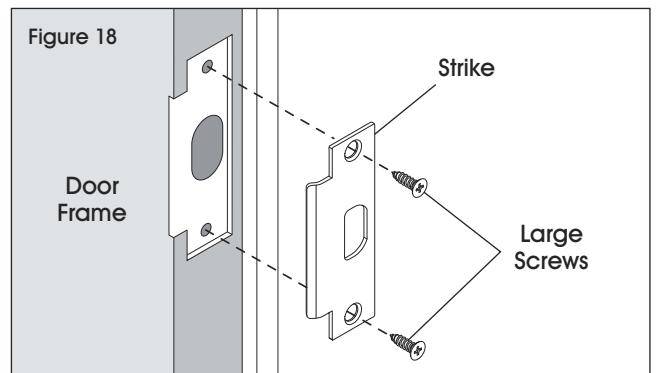


6. Install inside lever. Firmly push on lever until lever catch engages. (See Figure 17)

 **NOTE:** Instructions show installation with Uline model # H-12818 entry lever.



7. Install strike on door frame using two large screws provided. (See Figure 18)



ULINE

1-800-295-5510
uline.com