

ULINE H-12833

1-800-295-5510
uline.com

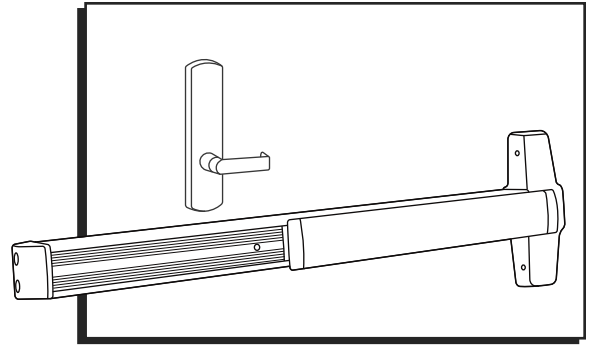
VON DUPRIN®

DOOR EXIT DEVICE

HEAVY DUTY, NON-LOCKING HANDLE



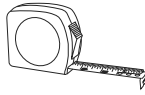
Two Person Assembly
Recommended



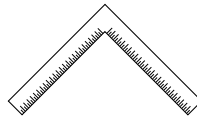
TOOLS NEEDED



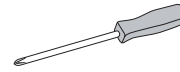
Drill



Tape Measure



Square



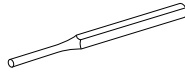
Phillips
Screwdriver



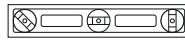
1/32" Drill Bit



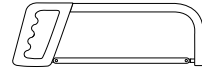
3/32" Allen Wrench



Center Punch



Level



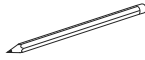
Hacksaw



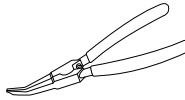
Metal File



Masking Tape



Pencil



Retaining
Ring Pliers

METAL DOOR INSTALLATION



#25 Drill Bit



#10-24 Tap

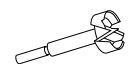


1 5/8" Carbide Grit
Hole Saw

WOODEN DOOR INSTALLATION

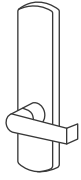


1/8" Drill Bit



1 5/8" Forstner Bit

PARTS



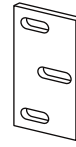
Trim x 1



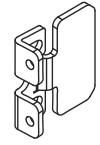
#10-24 x 1 3/4"
Screw x 4



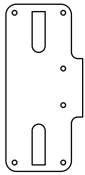
#10-24 x 1 7/8"
Screw x 4



Shim x 1



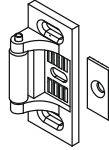
End Cap Bracket x 1



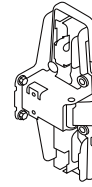
Plastic Template x 1



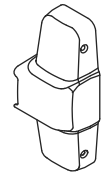
Dogging Key x 1



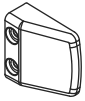
Strike and Strike
Support Plate x 1



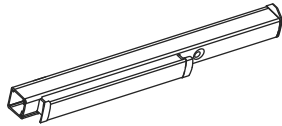
Center Case x 1



Center Case
Cover x 1



End Cap x 1



Exit Device x 1



#10-24 x 3/4"
Screw x 3



#10 x 1 1/2"
Wood Screw x 3



#10-24 x 1" Screw x 6



#10-24 x 1 1/2"
Screw x 6



#10 x 1 1/4"
Wood Screw x 6



#10-24 x 3/4"
Screw x 2



#10-24 x 1 1/6"
Screw x 2



#10 x 1 1/4"
Wood Screw x 2



#10-16 x 3/4"
Thread Cutting Screw x 2

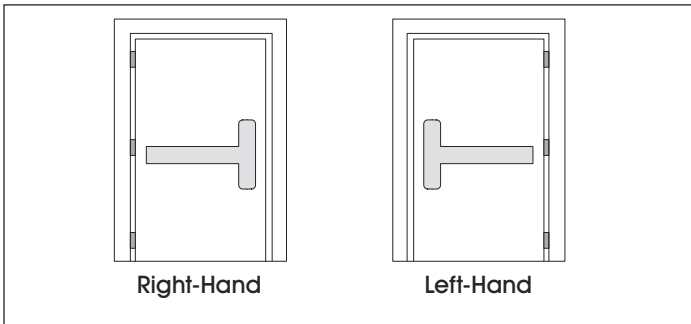


#8-18 x 3/4" Thread
Cutting Screw x 4

INSTALLATION



Right-hand installation is shown throughout instructions.

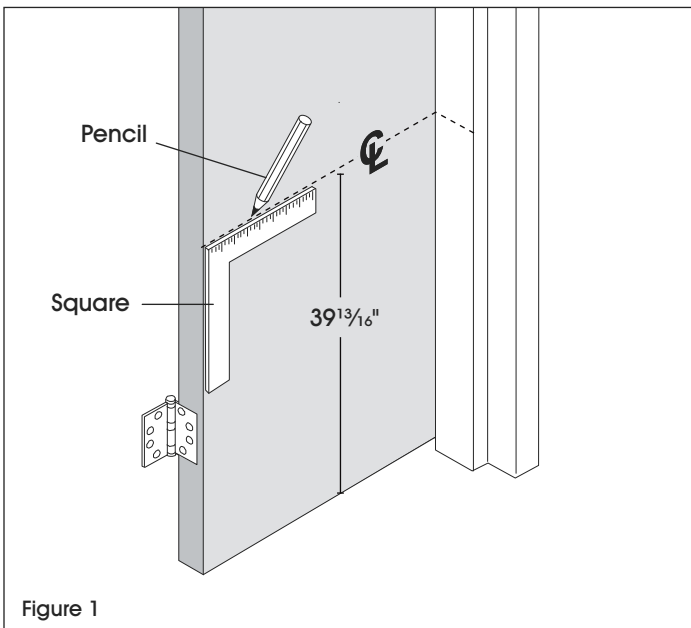


NOTE: Only use included manufacturer fasteners for installation.

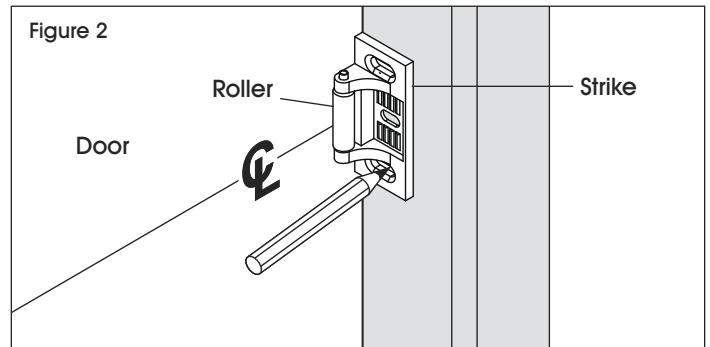
1. Slightly open door. Use square and pencil to draw a horizontal line about $39\frac{13}{16}$ " from the finished floor. (See Figure 1)
2. Create a strike center line (☑) in pencil where the horizontal center line on door meets frame. (See Figure 1)



NOTE: For double doors with a mullion and strike already installed, use existing strike center line.



3. Align the strike to the center line (☑) on door frame. Ensure the roller is against the closed door and mark the two slotted holes. (See Figure 2)

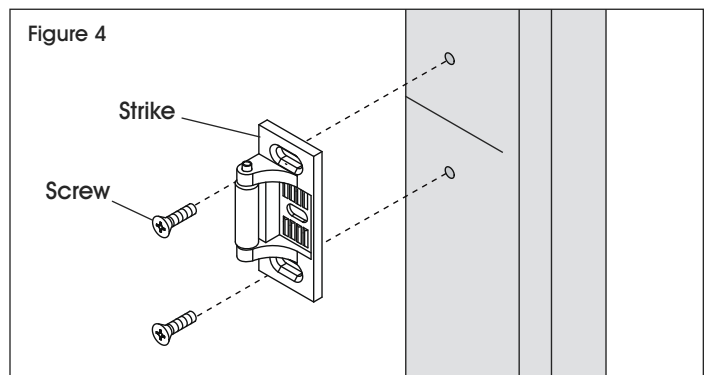
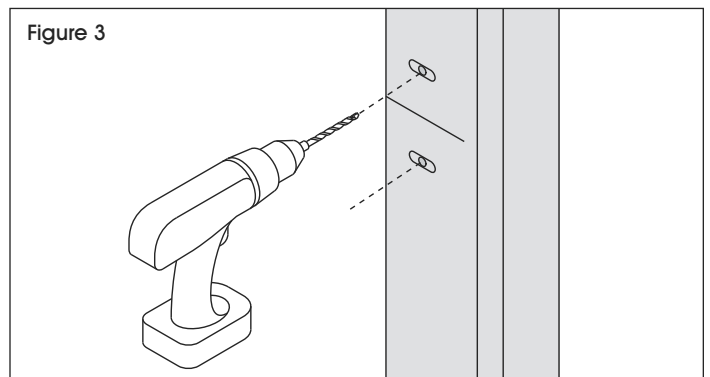


4. Drill two holes at previously marked locations. Secure strike with screws. (See Figures 3-4)



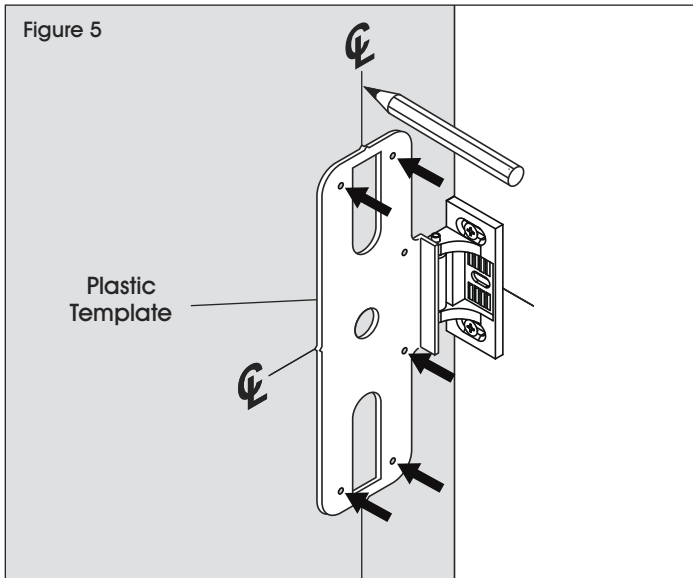
NOTE: Do not install shim in this step.

- a. For metal door frames, use #25 drill bit and #10-24 tap. Secure with #10-24 x 3/4" screws.
- b. For wooden door frames, use 1/8" drill bit and drill pilot hole 1" deep. Secure with #10 x 1/2" wood screws.

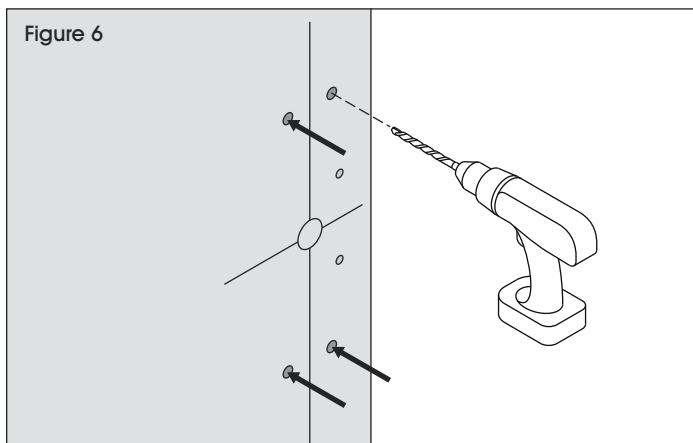


INSTALLATION CONTINUED

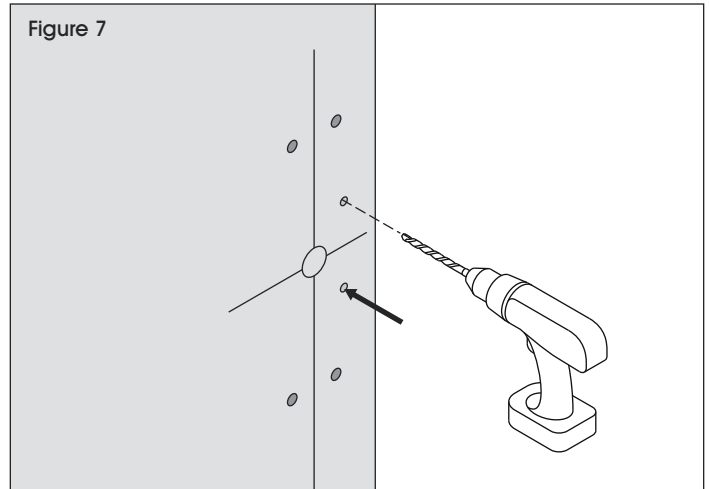
5. Position the plastic template against the installed strike and horizontal center line (☉). The arrow on the hinge side of the template should be pointing to the center line. Use a pencil to mark a vertical center line on the door. (See Figure 5)
6. Use pencil to mark the six holes from the plastic template onto the door. (See Figure 5)




7. Drill four mounting holes for the center case. (See Figure 6)
 - a. For metal doors, use 1/4" drill bit. Only drill through device side of door.
 - b. For wooden doors, use 13/32" drill bit and drill through door.



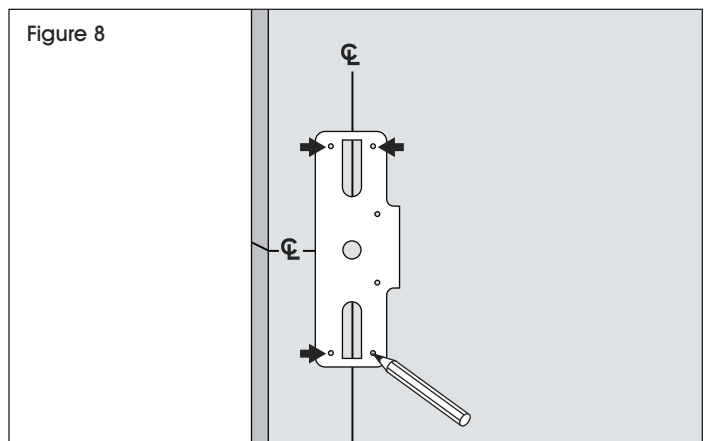
8. Prepare and drill two support holes for the center case. (See Figure 7)
 - a. For metal doors, use #25 drill bit and #10-24 tap.
 - b. For wooden doors, use 1/8" drill bit and drill pilot hole 1" deep.



9. For metal doors, prepare the trim side of the door (wood doors will already have the through holes drilled). Continue the horizontal center line (☉) to the trim side of the door. (See Figure 8)

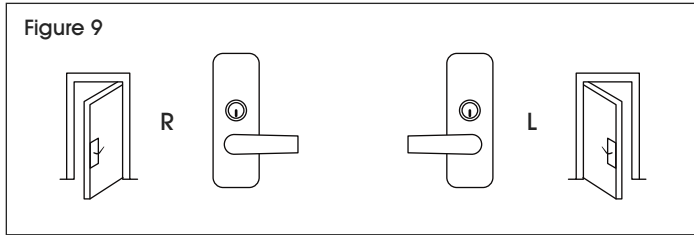
 **NOTE:** Ensure the center line is parallel to the edge of the door. Use extra care if door is beveled.

10. Transfer the vertical center line to the trim side of the door and mark four trim holes. For additional reference, refer to the door template included with trim. Once marked, use 13/32" drill bit to drill trim side of door. (See Figure 8)



INSTALLATION CONTINUED

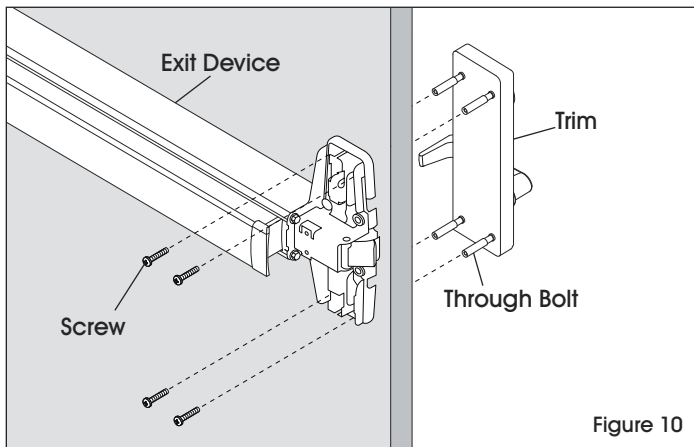
11. Ensure trim is set up for correct installation.
(See Figure 9)



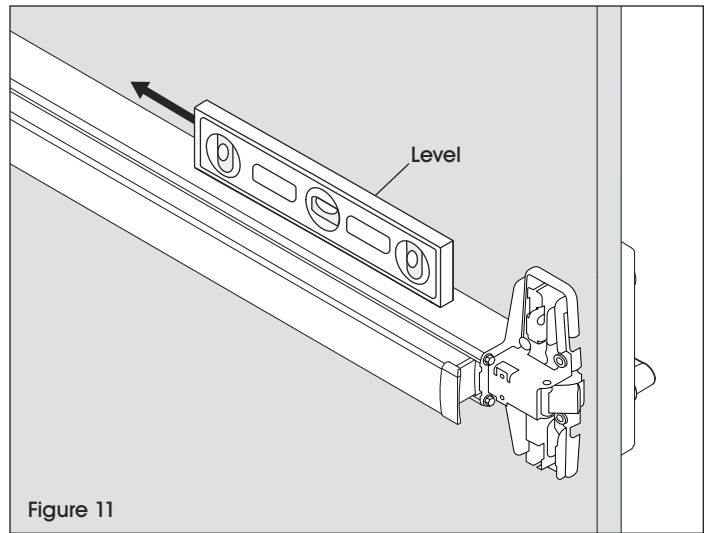
STOP If trim is not set up for the correct hand installation, disassemble the trim and rehand. See Handing/Shear Pin Change on page 8. If trim is set up correctly, continue to step 12.

STOP If clearance on the hinge side of the door is less than the required minimum of 1½" (from the exit device without the end cap installed to the door jamb), you will need to cut the end of the exit device. See Trimming Exit Device on page 9.

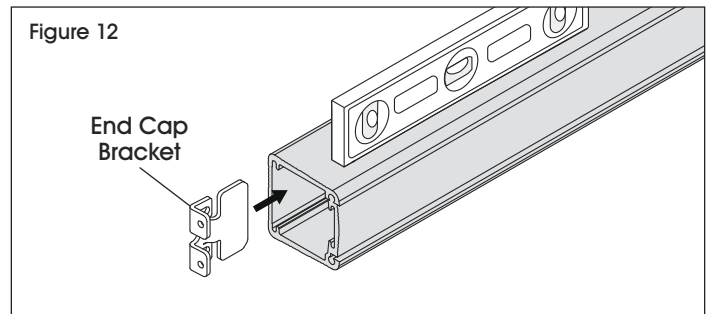
12. Attach the center case to door using the four screw holes prepared in step 7. Screws should fit to the through bolts on the trim. (See Figure 10)
- For 1¾" thick doors, use #10-24 x 1¾" screws.
 - For 2" or 2¼" thick doors, use #10-24 x 1⅞" screws. If necessary, cut screws down to fit flush on 2" door.



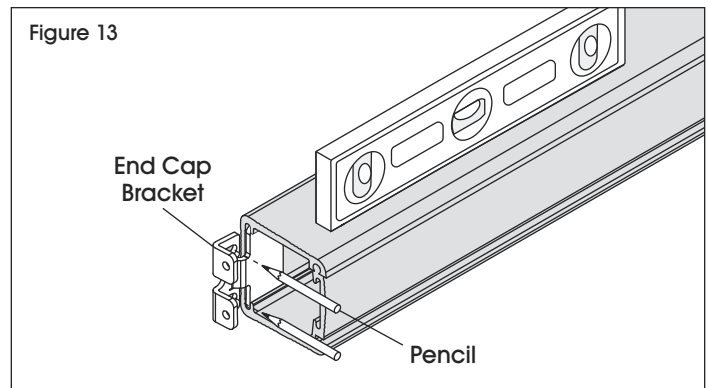
13. Once four screws are installed into the center case, use level to ensure exit device is level. (See Figure 11)



14. Slide the end cap bracket into the exit device.
(See Figure 12)

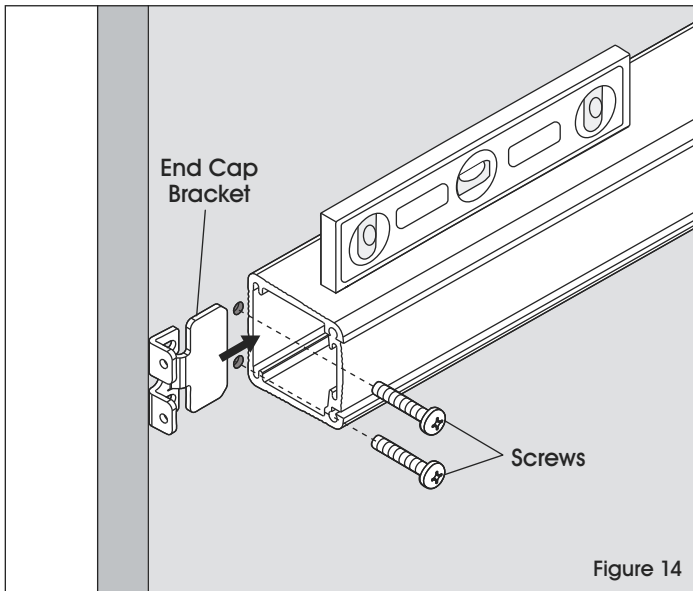


15. Mark holes in pencil, then remove end cap bracket and drill two holes at marked locations. (See Figure 13)
- For metal doors, use #25 drill bit and #10-24 tap.
 - For wooden doors, use 1/8" drill bit and drill pilot hole 1" deep.

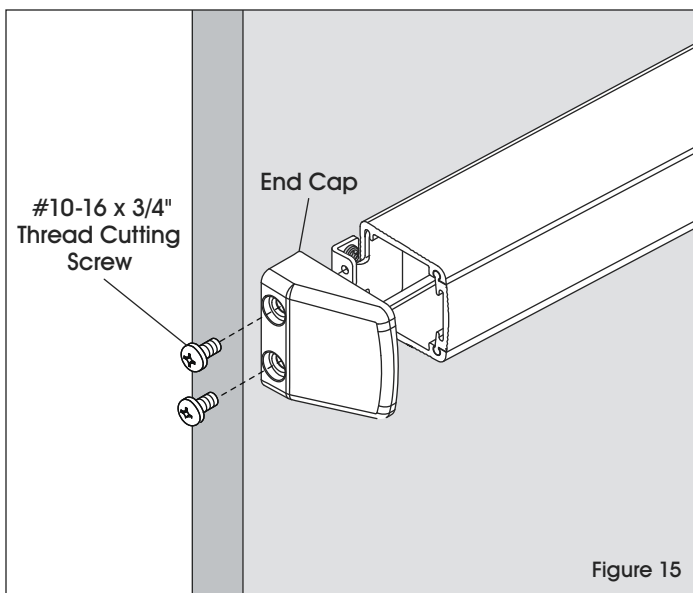


INSTALLATION CONTINUED

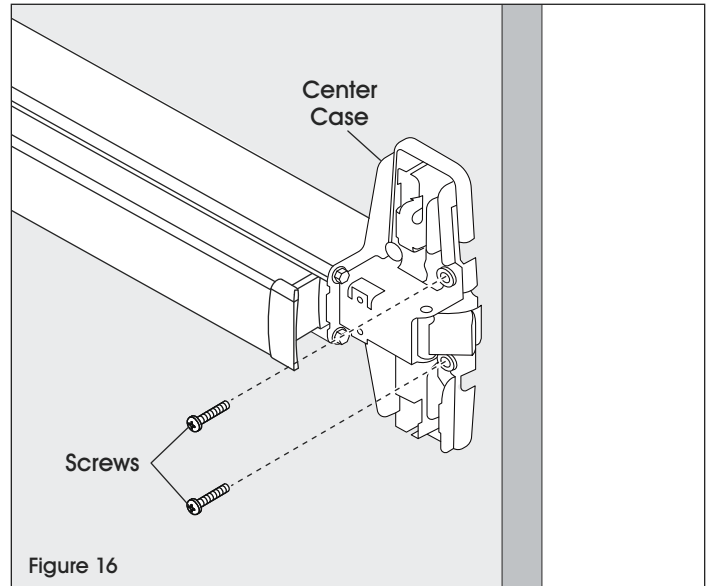
16. Reinsert the end cap bracket. Secure using screwdriver and screws. (See Figure 14)
- For metal doors, use #10-24 x 3/4" or
 - For wooden doors, use #10 x 1 1/4" wood screws.
 - For non-standard 2 1/4" thick doors #10-24 x 1 1/8" screws.



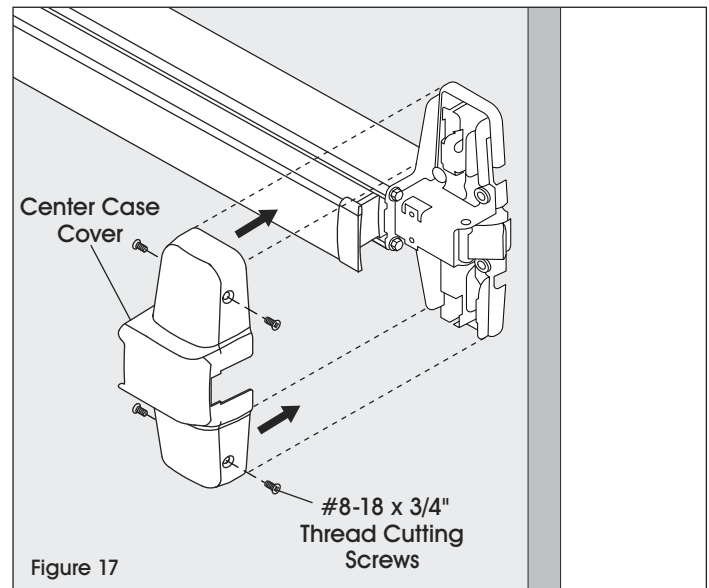
17. Install the end cap using screwdriver and #10-16 x 3/4" thread cutting screws. (See Figure 15)



18. Attach the center case to door through the two previously drilled support holes from step 10. Secure with screws. (See Figure 16)
- For metal doors, use #10-24 x 1" screws.
 - For wooden doors, use #10 x 1 1/4" wood screws.



19. Attach center case cover with screwdriver and #8-18 x 3/4" thread cutting screws. (See Figure 17)



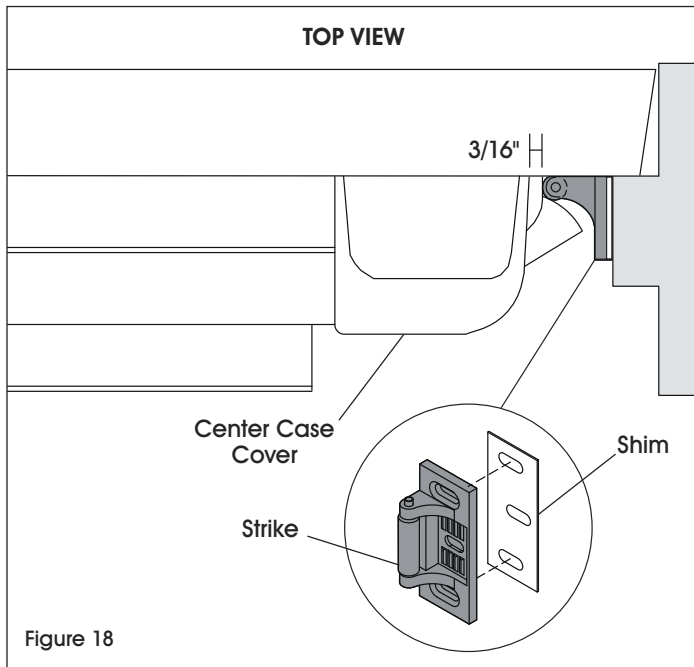
20. Remove protective blue film from the push bar.

INSTALLATION CONTINUED

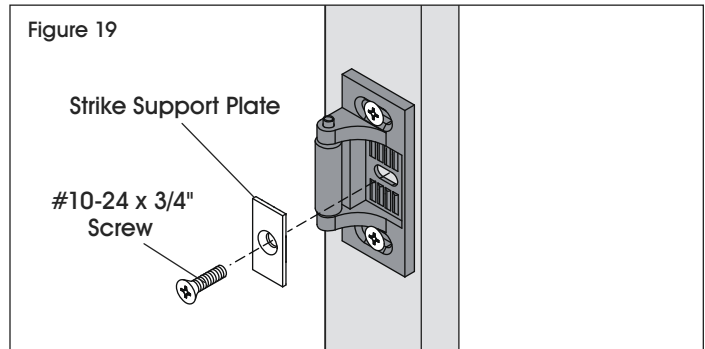
21. Adjust strike plate and add shim if needed. Ensure the latch is fully extended when engaged with the strike plate. There should be a 3/16" clearance between the roller on the strike and the center case cover. (See Figure 18)



NOTE: If the latch is not fully engaged, remount the strike piece closer, or further, from the door, or add shim piece.




22. Once 3/16" clearance is ensured between the roller and center case cover, install strike support plate. (See Figure 19)
- For metal door frame, use #25 drill bit and #10-24 tap. Secure with #10-24 x 3/4" screw.
 - For wooden door frame, drill 1" deep with 1/8" drill bit. Secure with #10 x 1 1/2" wood screw.



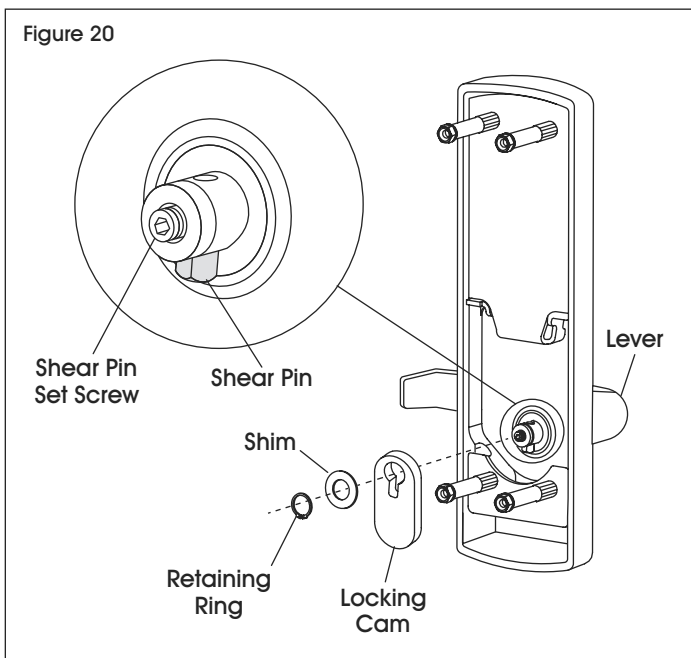
ADDITIONAL INSTRUCTIONS

HANDING/SHEAR PIN CHANGE

1. Remove retaining ring using retaining ring pliers. (See Figure 20)
2. Remove shim(s) and locking cam.
3. Loosen but do not remove shear pin set screw using 3/32" Allen wrench.

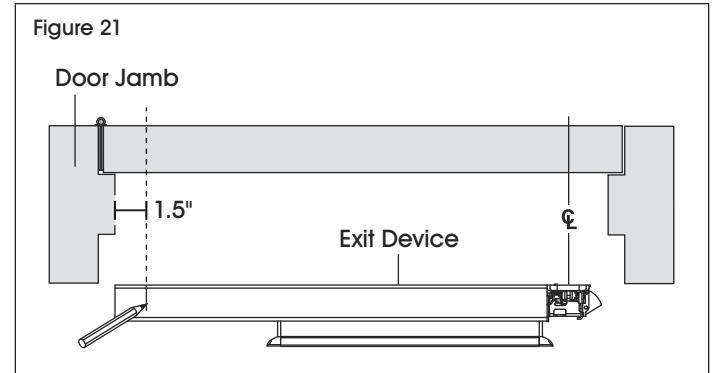
 **NOTE:** If fixing a broken shear pin, remove set screw and replace broken shear pin. Skip to step 7 when complete.

4. Remove shear pin.
5. Rotate lever to left-hand or right-hand position.
6. Reinstall shear pin and tighten set screw.
7. Reinstall locking cam and shim(s).
8. Reinstall retaining ring.

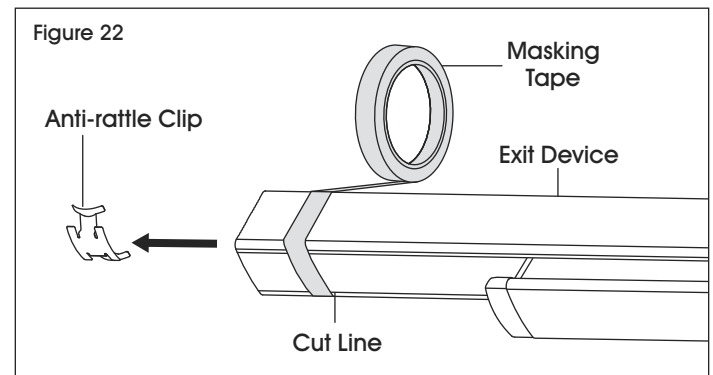


TRIMMING EXIT DEVICE

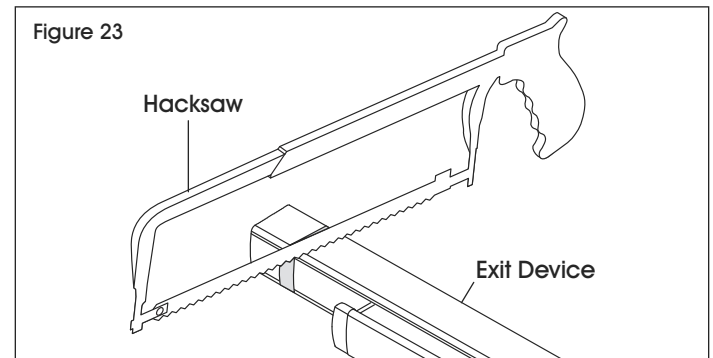
1. Measure a cut line that allows for 1.5" of space between exit device and door jamb. Mark on all four sides of the exit device in pencil. (See Figure 21)



2. Align masking tape to the edge of the pencil mark to create a distinguishable cut mark across each side of the exit device. Temporarily remove the anti-rattle clip. (See Figure 22)



3. Use hacksaw to cut the end of the exit device. Use a metal file to remove any burrs. (See Figure 23)



4. Re-install the anti-rattle clip. This should be placed a minimum of 2" inside the exit device.

ULINE

1-800-295-5510
uline.com