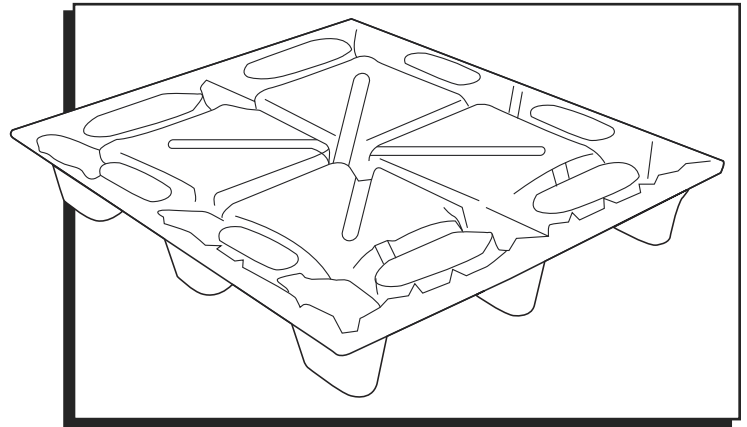
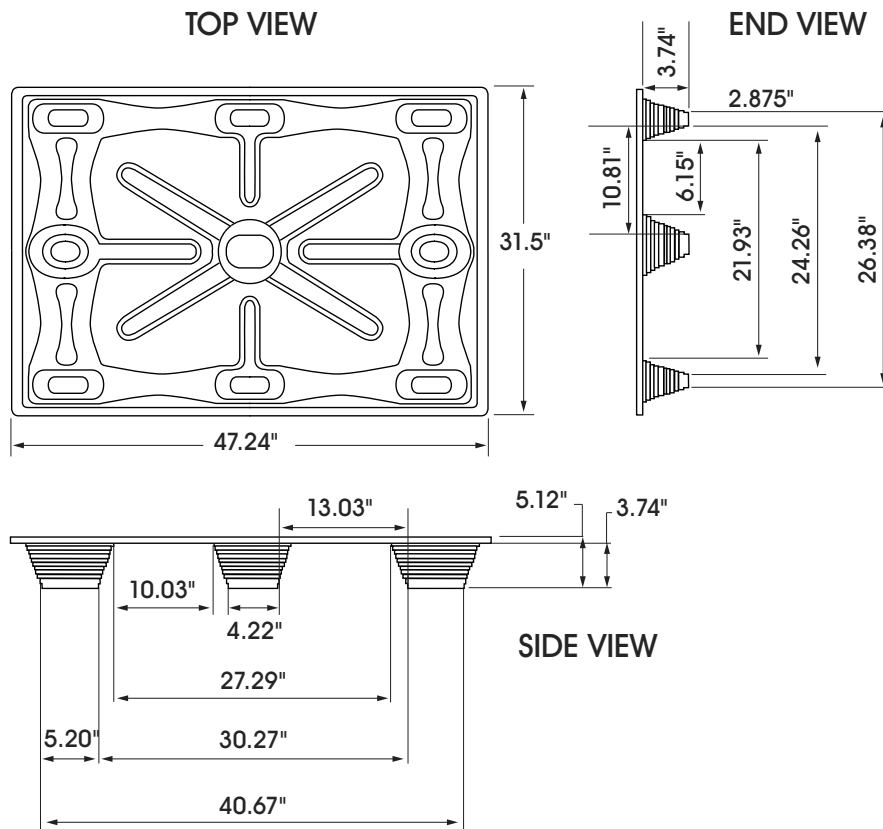


ULINE H-1817 PRESSED WOOD PALLET

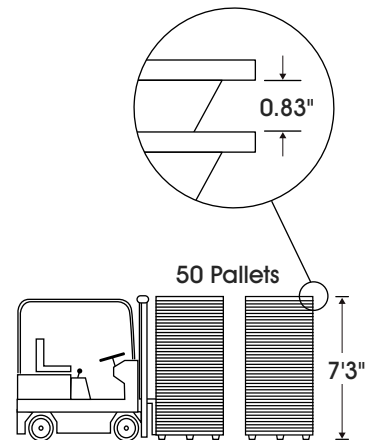
1-800-295-5510
 uline.com



DIMENSIONS



NESTED PALLETS



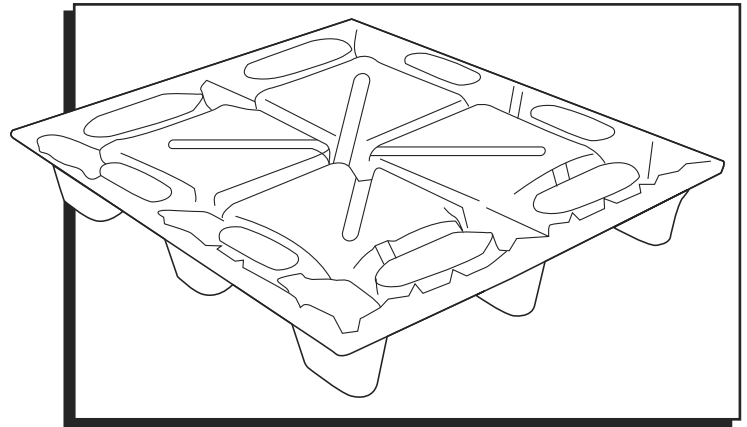
SPECIFICATIONS

MODEL #	DIMENSIONS		HEIGHT			NESTED TRAILER		WEIGHT CAPACITY		WEIGHT
	L	W	FORK	OVERALL	NESTING	48'	53'	FLOOR	FORK	
H-1817	47.24"	31.5"	3.74"	5.12"	1.98"	1,200	1,200	20,000 lbs.	2,000 lbs.	26 lbs.

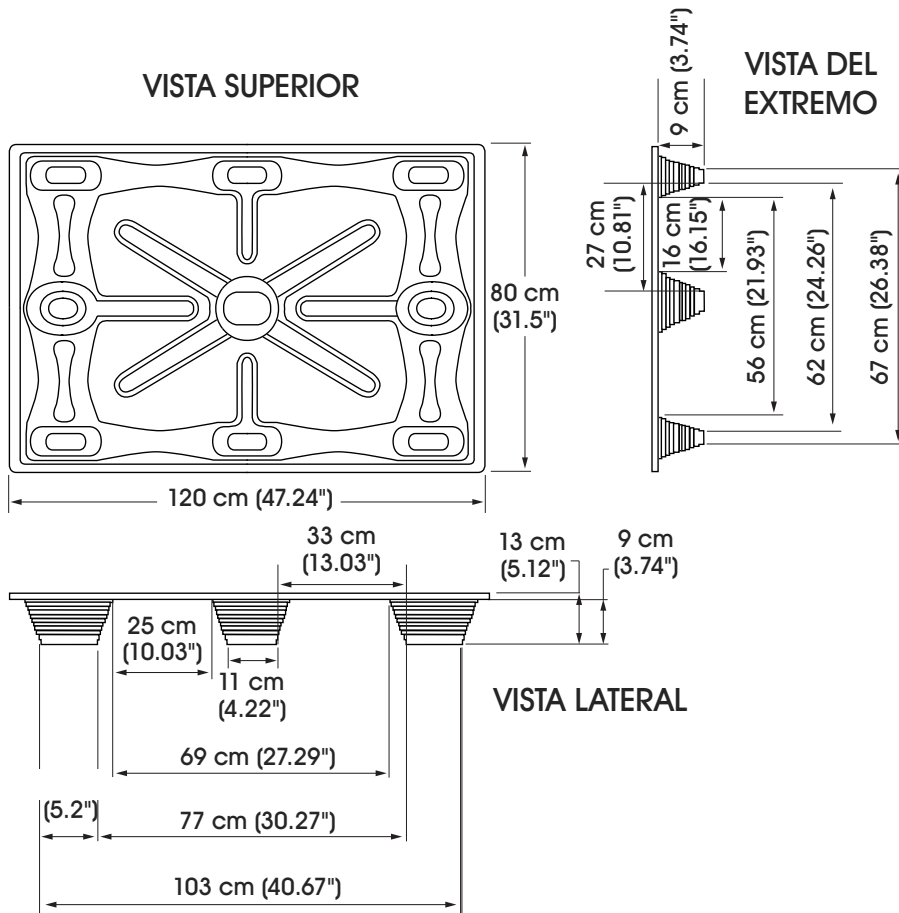
ULINE H-1817

**TARIMA DE
MADERA
PRENSADA**

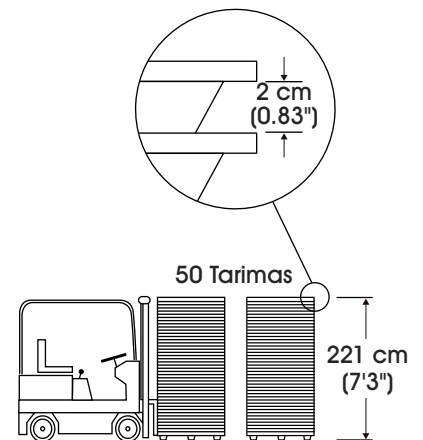
800-295-5510
uline.mx



DIMENSIONES DEL PRODUCTO



TARIMAS EMBONADAS



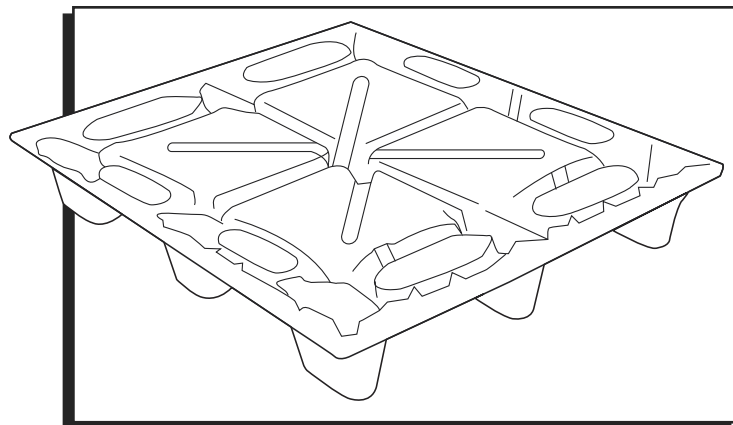
ESPECIFICACIONES

MODELO NO.	DIMENSIONES		ALTURA			EMBONADAS EN TRÁILER		CAPACIDAD DE PESO		PESO
	LARGO	ANCHO	HORQUILLA	TOTAL	EMBONABLE	14.6 m (48')	16.15 m (53')	PISO	HORQUILLA	
H-1817	120 cm (47.24")	80 cm (31.5")	9 cm (3.74")	13 cm (5.12")	5 cm (1.98")	1,200	1,200	9,071 kg (20,000 lbs.)	907 kg (2,000 lbs.)	11 kg (26 lbs.)

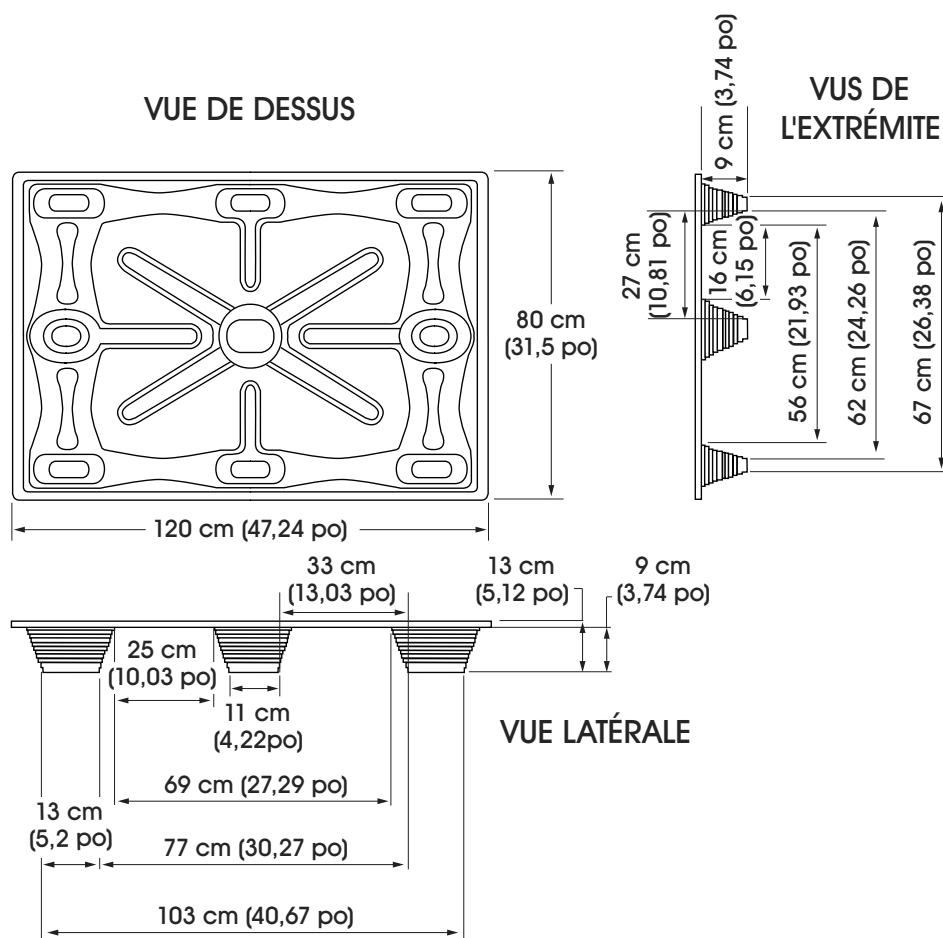
ULINE H-1817

**PALETTE EN
BOIS PRESSÉ**

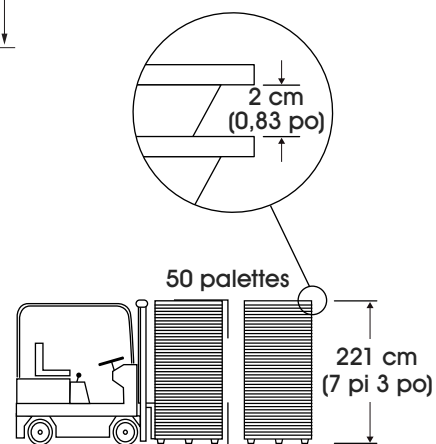
1-800-295-5510
uline.ca



DIMENSIONS DU PRODUIT



PALLETES EMBOÎTÉES



SPÉCIFICATIONS

N° DE MODÈLE	DIMENSIONS		HAUTEUR			REMORQUE EMBOÎTÉE		CAPACITÉ PONDÉRALE		POIDS
	LONG.	LARG.	FOURCHE	TOTALE	EMBOÎTEMENT	14,6 m (48 pi)	16,15 m (53 pi)	PLANCHER	FOURCHE	
H-1817	120 cm (47,24 po)	80 cm (31,5 po)	9 cm (3,74 po)	13 cm (5,12 po)	5 cm (1,98 po)	1 200	1 200	9 071 kg (20 000 lb)	907 kg (2 000 lb)	11 kg (26 lb)