

ULINE H-3480

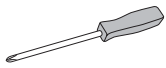
SANITAIRE®

INDUSTRIAL VACUUM

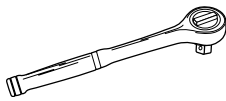
1-800-295-5510
uline.com



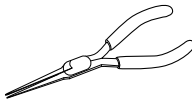
TOOLS NEEDED



Phillips Screwdriver



3/8" Socket Wrench



Pliers

SAFETY



NOTE: When using an electrical appliance, basic precautions should always be followed, including the following: **READ ALL INSTRUCTIONS BEFORE USING THIS VACUUM.**



WARNING! To reduce the risk of fire, electric shock, or injury:

- Do not use outdoors or on wet surfaces.
- Do not leave vacuum cleaner when plugged in. Turn off the switch and unplug the electrical cord when not in use and before servicing.
- Do not allow to be used as a toy. Close attention is necessary when used by or near children.
- Use only as described in this manual. Use only the manufacturer's recommended attachments.
- Do not use with damaged cord or plug. If vacuum cleaner is not working as it should, has been dropped, damaged, left outdoors, or dropped into water, return it to Uline before using.
- Do not pull or carry by cord, use cord as a handle, close door on a cord, or pull cord around sharp edges or corners. Do not run vacuum cleaner over cord. Keep cord away from heated surfaces.
- Do not use extension cords or outlets with inadequate current carrying capacity.
- Turn off all controls before unplugging.
- Do not unplug by pulling on cord. To unplug, grasp the plug, not the cord.
- Do not handle plug or vacuum with wet hands.
- Do not put any object into openings. Do not use with any opening blocked; keep free of dust, lint, hair or anything that may reduce airflow.
- This vacuum cleaner creates suction and contains a revolving brush roll. Keep hair, loose clothing, fingers and all parts of the body away from openings and moving parts.
- Do not place vacuum on furniture or stairs as the brush roll may cause damage.
- Do not pick up anything that is burning or smoking, such as cigarettes, matches, or hot ashes.
- Do not use without dust bag or filter(s) in place.
- Belt pulleys can become hot during normal use. To prevent burns, avoid touching the belt pulley when servicing the drive belt.
- Use extra care when cleaning on stairs.
- Do not use to pick up flammable or combustible liquids such as gasoline, or use in areas where they may be present.
- Store vacuum indoors in a cool, dry area.
- Keep your work area well lighted.
- Unplug electrical appliances before vacuuming them.



CAUTION! THIS APPLIANCE MUST BE GROUNDED. If it should malfunction, or break down, grounding provides a path of least resistance for electrical current to reduce the risk of electric shock.



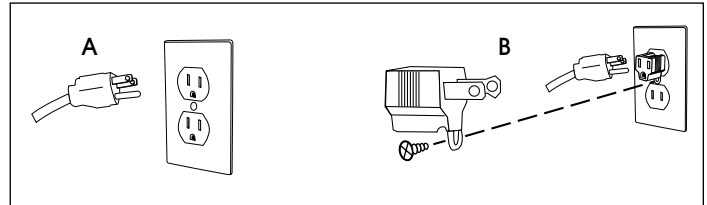
NOTE: The appliance is equipped with a cord having an equipment-grounding conductor and grounding plug. The plug must be plugged into an appropriate outlet that is properly installed and grounded in accordance with all local codes and ordinances.

DANGER

Improper connection of an equipment-grounding conductor can result in risk of electric shock. Check with a qualified electrician or service person if you are in doubt as to whether the outlet is properly grounded. Do not modify the plug provided with the vacuum. If it will not fit the outlet, have a proper outlet installed by a qualified technician.

This vacuum is for use on a nominal 120 volt circuit and has a grounding plug that looks like the plug illustrated in Figure A. A temporary adapter which looks like the adapter illustrated in Figure B may be used to connect this plug to a two-pole receptacle, as shown, if a properly grounded outlet is not available. The temporary adapter should be used only until a properly

grounded outlet, Figure A, can be installed by a qualified electrician. The green colored rigid ear, lug, or the like extending from the adapter must be connected to a permanent ground such as a properly grounded outlet box cover. Whenever the adapter is used, it must be held in place by a metal screw.



ASSEMBLY



CAUTION! Fully assemble vacuum before using.

ASSEMBLY PACK (INCLUDED)

Contains: Two two-part bolts, two screws, lower cord retainer, one extra belt and one dual-zipper pull.

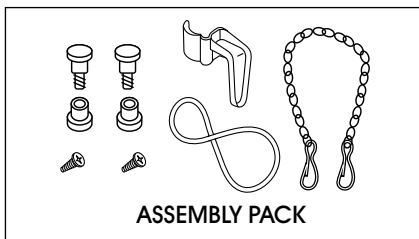
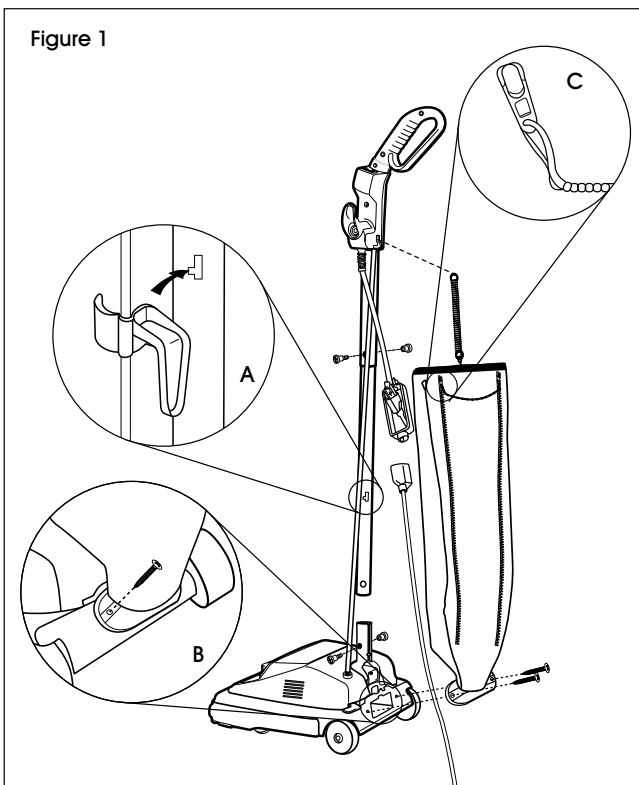


Figure 1



NOTE: Remove all parts from carton and identify each item shown. Ensure all parts are located before disposing of packing materials.

1. Slide upper and lower handles together so holes are aligned. Insert two-part bolt and tighten using screwdriver.
2. Hold assembled handle so handle curves away from vacuum. Place lower handle into handle socket at rear of vacuum. Align holes. Insert two-part bolt and tighten using screwdriver.
3. Secure lower cord retainer into cut-out on lower handle. (See Figure 1A) Leave enough slack so cord is not strained when handle is inserted.



NOTE: Ensure cutout on lower handle for cord retainer is positioned correctly. (See Figure 1A)



NOTE: Lower cord retainer should be aligned with upper cord retainer so cord can be wrapped for storage.

4. Plug quick change power cord into extension cord.
5. Wrap cord around both cord retainers and fasten plug to prevent unwinding. For quick cord removal, twist top hook downward.
6. Hold cloth bag with zipper facing away from handle. Align holes in lower bag flange with base of vacuum and secure with two screws. (See Figure 1B) Loop bag spring onto bag support hook on upper handle.
7. Attach dual-zipper pull. (See Figure 1C)



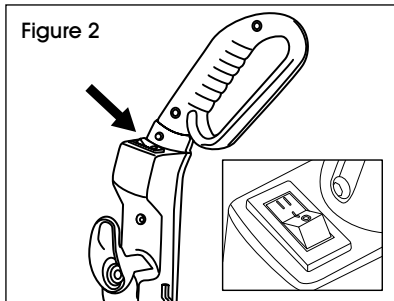
WARNING! Do not use dual-zipper to lift vacuum.

POWER SWITCH



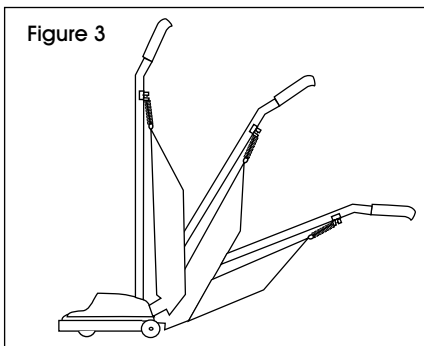
CAUTION! The upright vacuum is designed to be used on multiple types of carpeting. Do not attempt to use the vacuum with the brush roll operating on bare floors, as damage to the floor covering may result.

1. Plug electrical cord into outlet.
2. Press down power switch (I) to turn to QuietClean®. Press switch (II) for full power. (See Figure 2)
3. Press power switch (O) to turn off.



HANDLE ADJUSTMENT

1. Step on the handle release located at the left rear side of the vacuum. Move handle and adjust to desired position. (See Figure 3)
2. Step on the handle release a second time to allow the handle to lay flat for cleaning under low furniture. (See Figure 3)



EXTENSION CORD

1. Attach extension cord to quick change power cord.
2. Use 16 AWG, SJT type extension cord as minimum requirement.

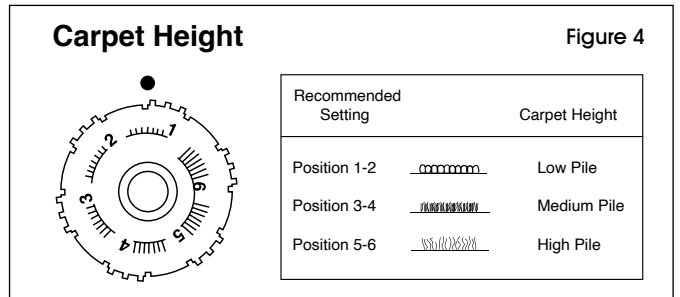
VACUUM HEIGHT SETTINGS



WARNING! Avoid injury. Keep loose clothing, hair, fingers and all other body parts away from any moving part (such as revolving brush). Turn vacuum off and unplug before changing height.

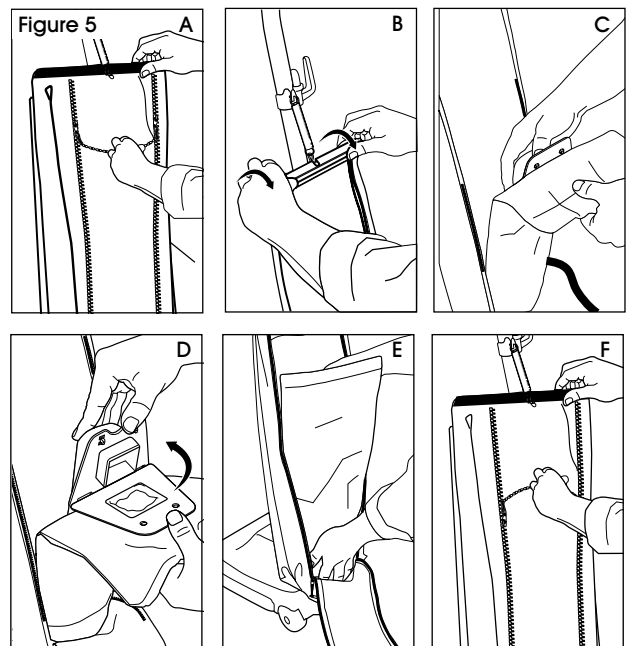
1. With power cord unplugged, adjust base to highest setting with five-position adjustment knob.

2. Turn on vacuum and lower setting one notch at a time until you hear the bristles touching the carpet. This should be a noticeable sound change. (See Figure 4)



CHANGING THE DUST BAG

1. Grasp top of bag and release both zippers by pulling down on the dual zipper connector. (See Figure 5A)
2. Release the bag cap by grasping finger tabs and rotating cap towards the back of bag. (See Figure 5B)
3. Support top of the dirt tube and pull dust bag collar forward. (See Figure 5C)
4. Place new dust bag collar on tabs of dirt tube interface and rotate up until dirt tube tabs fasten into holes in the dust bag collar. (See Figure 5D)
5. Tuck bottom of dust bag into the lower portion of the outer bag. (See Figure 5E)
6. Replace the bag cap and pull up on the dual zipper connector to close the back of the outer bag. (See Figure 5F)



MAINTENANCE



CAUTION! Turn off power and unplug electrical cord before maintenance.



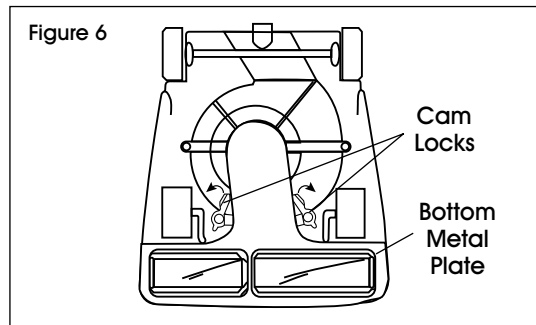
CAUTION! Improper installation of brush roll or brush roll belt could cause carpet damage.

HOW TO REPLACE A WORN BELT

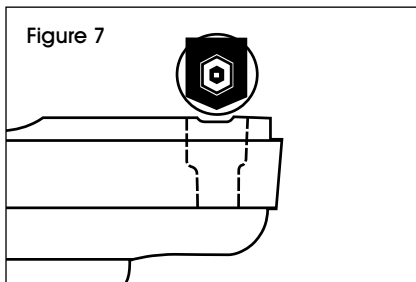


WARNING! Belt pulleys can become hot during normal use. To prevent burns, avoid touching the belt pulley when servicing the drive belt.

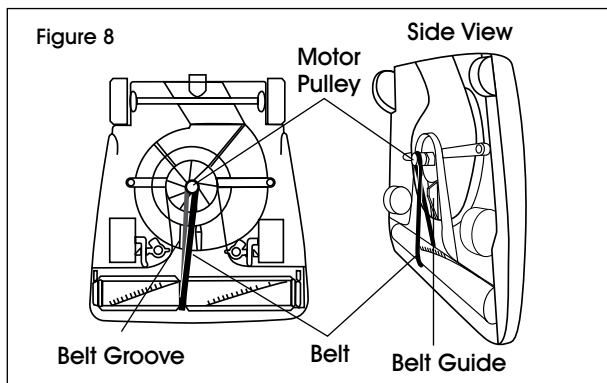
1. Release cam locks and remove bottom plate. Pull up on belt to rotate it off of the motor pulley. Lift up on brush roll and remove worn belt. Place new belt around brush roll. Align brush roll pulley with belt guide. (See Figure 6)



2. Ensure rubber end cap cover is installed correctly. Align end caps with slots in vacuum base. Push brush roll into base. (See Figure 7)

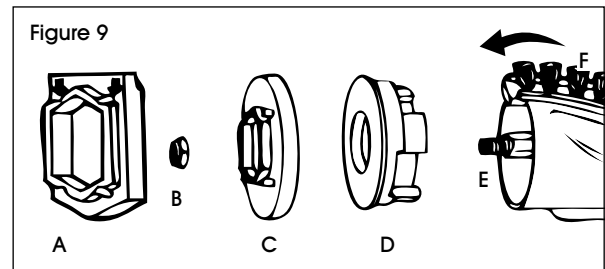


3. Place lower side of belt into belt guide and pull to stretch belt around left side of motor pulley. Rotate pulley to secure belt into the groove. Replace bottom plate and secure with cam locks. (See Figure 8)



HOW TO REPLACE BRISTLE STRIPS

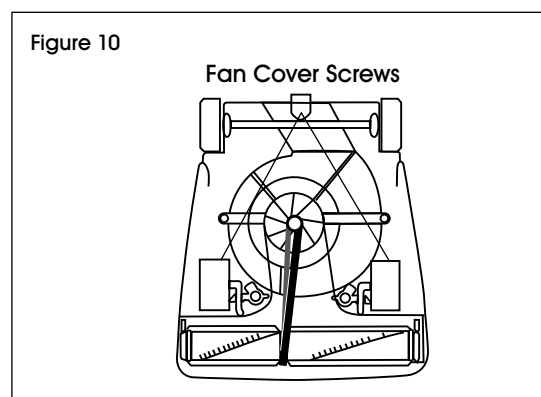
1. Remove rubber end cap (A) from one end. Unscrew locknut (B). Remove end cap (C). Sleeve bearing brush roll includes a shaft washer (not shown). (See Figure 9)
2. Remove bearing retainer (D). Push shaft (E) through opposite end. Pull out worn bristle strip (F) with pliers. Slide in new bristle strip of same length. (See Figure 9)
3. Fit track on either side of bristle strip into brush roll slot. Replace the second strip from opposite end of brush roll. (See Figure 9)



4. Replace shaft. Align indentation on bearing retainer with bristle strip on both ends of brush roll. Reassemble the remainder of brush roll and secure into the base.

HOW TO CLEAR FAN CHAMBER

1. The clear, removable fan chamber cover allows for easy inspection, cleaning and maintenance of the fan. Release two cam locks and remove bottom plate. Remove the two screws to release the clear fan cover. (See Figure 10)



CLEARING CLOGS



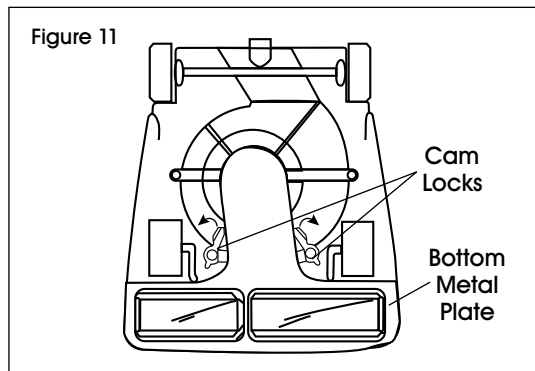
CAUTION! Make sure vacuum is turned off and unplugged.

DUST BAG MAY BE FULL

- Check and replace dust bag if full. See "Changing the Dust Bag" on page 3.

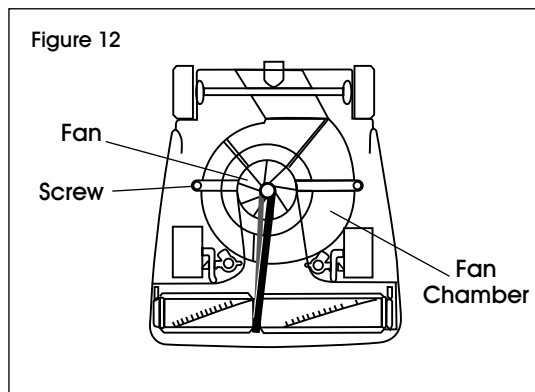
CHECK BRUSH ROLL FOR DEBRIS

1. If the dust bag is not full, check the bottom of the vacuum and the brush roll.
 - a. Turn vacuum upside down. Clip strings with scissors.
 - b. If necessary, release the cam locks and remove the bottom metal plate. Clear debris around the brush roll. (See Figure 11)



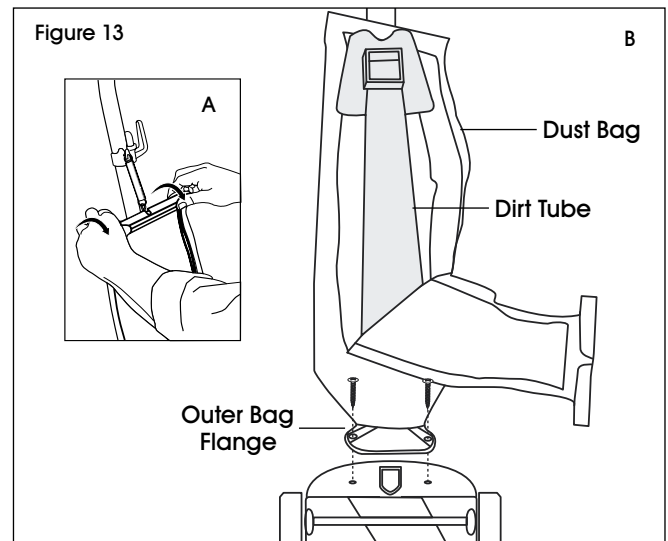
HOW TO CLEAR CLOG IN FAN CHAMBER

1. If there is not a clog around the brush roll, there may be a clog in the clear fan chamber. If clogged, release two cam locks and remove bottom plate. Remove the two screws to release the clear fan cover. (See Figure 12)
 - a. Use a hanger to help release the clog around the fan, but do not remove the fan.



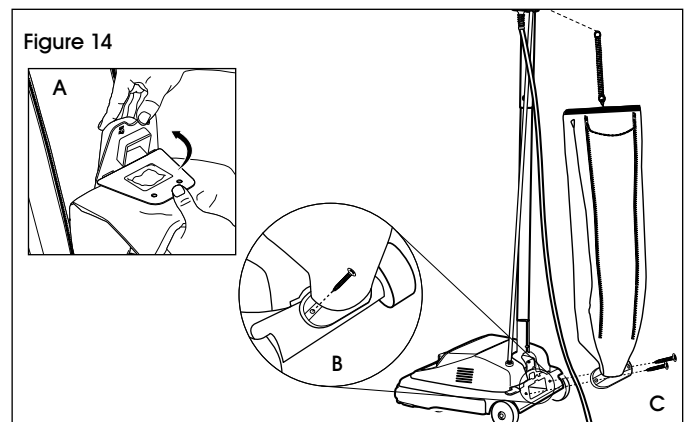
HOW TO CLEAR CLOG IN DIRT TUBE

1. If unable to see a clog in the fan chamber and the fan spins freely, the clog may be in the dirt tube that connects the vacuum to the dust bag.
 - a. Release cap on cloth bag by grasping finger tabs and rotating cap towards front of bag. (See Figure 13A)
 - b. Unzip the cloth bag and take the dust bag off of the plastic dirt tube.
 - c. Using a screwdriver, remove the outer bag flange from the base of the vacuum. Use a tool or hanger to push any debris completely through the dirt tube to remove clog. (See Figure 13B)



HOW TO REASSEMBLE THE VACUUM

1. Reattach the dirt tube to the dust bag. Place dust bag collar on dirt tube tabs.
 - a. Reattach cap on cloth bag and pull up on zipper. (See Figure 14A)
 - b. Replace bottom metal plate. Secure cam locks. (See Figure 14B)
 - c. Turn vacuum right side up. Screw the outer bag flange into base of vacuum. (See Figure 14C)



ROUTINE MAINTENANCE

DAILY

1. **Replacement Bag** – Before each use, inspect replacement bag and dispose of if 2/3 or more full. Check cloth bag for any debris and clean out if necessary.
2. **Belt Condition** – Check the belt for signs of wear. Change the belt when it is loose or has cuts or cracks. Refer to the diagram on the underside of the base for proper installation of belt and brush roll.
3. **Supply Cord and Plug** – Check supply cord and plug for any cuts or damage. If damaged, have the supply cord and plug assembly replaced by a qualified Sanitaire repair center.
4. **Motor** – If there are unusual sounds or if poor performance occurs, the motor should be inspected immediately by a qualified Sanitaire repair center.

WEEKLY

1. **Cloth Dust Bag** – Inspect the dust bag assembly for any unusual wear. Replace bent clips, stretched springs or a worn bag with genuine Sanitaire replacement parts.
2. **Brushroll Bristle Strips** – Check the bristles for wear. The bristle strips should be replaced when the bristles are less than 1/4 inch in length.
3. **Brush Roll Condition** – Check and remove any loose material, such as string or hair wrapped around the brush roll.

MONTHLY

1. **Cleaning** – Inspect and clean the vacuum, including the fan chamber and under the hood.
2. **Electrical** – Inspect the cord assembly for wear and check for proper handle assembly.
3. **Handle** – Check the handle assembly for tightness and replace handle bolts if missing.
4. **Motor** – A qualified Sanitaire repair center should make a routine check of the motor every 6 months. Inspect the motor immediately if there are any unusual sounds or if poor performance occurs.

TROUBLESHOOTING

OPERATING ISSUE	RECOMMENDATIONS
Motor will not start.	<ol style="list-style-type: none"> 1. Turn power switch on. 2. Push plug securely into outlet. 3. Try another outlet.
Little or no suction.	<ol style="list-style-type: none"> 1. There may be a clog in the bottom of the vacuum or in the dirt tube. <ol style="list-style-type: none"> a. Remove bottom metal plate and check for clogs in base or brush roll. b. Unzip cloth bag, remove dust bag and check for clogs in the dirt tube. 2. Belt may be broken. Replace belt.
Vacuum does not clean.	<ol style="list-style-type: none"> 1. Dust bag may be full. 2. Replace the dust bag if 2/3 or more full. 3. Adjust carpet height setting to lower position. 4. Check for clogs that restrict the air flow. 5. Check for worn or broken belt and replace if necessary.
Vacuum is hard to push.	<ol style="list-style-type: none"> 1. Adjust carpet height setting to higher position.
Vacuum is clogged.	<ol style="list-style-type: none"> 1. Remove bottom metal plate. Check for clog in base and/or brush roll. 2. Remove dust bag. Check for clog where dust bag attaches to dust bag collar and where the dust bag attaches to the dirt tube.
Burning smell.	<ol style="list-style-type: none"> 1. The belt may be damaged or something may be caught in the brush roll. 2. Check brush roll and remove obstruction. 3. Replace belt.
Dust leaking out of vacuum.	<ol style="list-style-type: none"> 1. Check to ensure paper bag collar is properly attached inside cloth bag. 2. Check paper bag for tears.
Belt is broken or worn.	<ol style="list-style-type: none"> 1. Replace belt.
Belt continues to break.	<ol style="list-style-type: none"> 1. The brush roll should be positioned with the low side of belt aligned within the belt groove.



ULINE H-3480

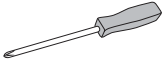
**SANITAIRE®
ASPIRADORA INDUSTRIAL**

800-295-5510

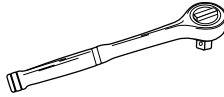
uline.mx



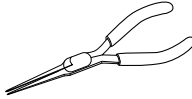
HERRAMIENTAS NECESARIAS



Desarmador de Cruz



Llave de Dados de 3/8"



Pinzas

SEGURIDAD



NOTA: Cuando utilice un electrodoméstico se deben tomar precauciones básicas, incluyendo las siguientes: **LEA TODAS LAS INSTRUCCIONES ANTES DE UTILIZAR ESTA ASPIRADORA.**



¡ADVERTENCIA! Para reducir el riesgo de incendio, descarga eléctrica o lesiones:

- No la use en exteriores ni en superficies húmedas.
- No deje sola la aspiradora cuando esté conectada. Apague el interruptor y desconecte el cable eléctrico cuando no la utilice o mientras le dan mantenimiento.
- No permita que la usen como un juguete. Ponga especial atención cuando se utilice cerca de niños.
- Use solo como se describe en este manual. Use solo los aditamentos recomendados por el fabricante.
- No la use si observa daños en el cable o clavija. Si la aspiradora no funciona adecuadamente, se cayó, sufrió daños, la dejó en el exterior o se mojó, regrésela a Uline para reparación antes de usarla.
- No la jale o la cargue con el cable, no use el cable como asa, no cierre la puerta sobre el cable o lo jale por bordes o esquinas filosas. No pase la aspiradora sobre el cable. Mantenga el cable lejos de superficies calientes.
- No utilice extensiones o enchufes que no cumplan con la capacidad de corriente necesaria.
- Apague todos los controles antes de desconectarla.
- No la desconecte jalando del cable. Para desconectarla tome la clavija, no el cable.
- No maneje la clavija o la aspiradora con las manos mojadas.
- No coloque ningún objeto en las aberturas. No la utilice si tiene alguna abertura obstruida; manténgala libre de polvo, pelusa, cabello o cualquier cosa que pueda reducir el flujo del aire.

- Esta aspiradora crea succión y tiene un rodillo de cepillo giratorio. Mantenga el cabello, ropa holgada, dedos y todas las partes del cuerpo lejos de las aberturas y las partes móviles.
- No coloque la aspiradora sobre muebles ni escaleras ya que el rodillo de cepillo podría causar daños.
- No aspire nada que esté ardiendo o humeando: como cigarrillos, cerillos o ceniza caliente.
- No la utilice sin la bolsa o los filtros para polvo puestos en su lugar.
- Las poleas de la banda pueden calentarse durante el uso normal. Para evitar quemaduras, no toque la polea mientras le da mantenimiento a la banda de transmisión.
- Tenga más cuidado cuando limpie escaleras.
- No la use para recoger líquidos inflamables o combustibles tales como gasolina, ni la use en áreas donde estos pudieran estar presentes.
- Guarde su aspiradora bajo techo en un lugar fresco y seco.
- Mantenga su área de trabajo bien iluminada.
- Desconecte los aparatos eléctricos antes de aspirarlos.



¡PRECAUCIÓN! ESTE APARATO DEBE ESTAR CONECTADO A TIERRA.

Si hay un mal funcionamiento o se descompone, la conexión a tierra proporciona a la corriente eléctrica una ruta de resistencia mínima para reducir el riesgo de descarga eléctrica.



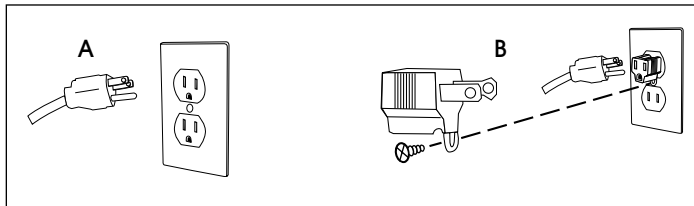
NOTA: El aparato está equipado con un cable que tiene un conductor de conexión a tierra del equipo y una clavija de conexión a tierra. La clavija se debe conectar a una toma de corriente adecuada que haya sido instalada apropiadamente y conectada a tierra de conformidad con los códigos y disposiciones locales.

PELIGRO

Una mala conexión a tierra de los equipos conductores puede ocasionar el riesgo de una descarga eléctrica. Verifique con un electricista calificado o personal de servicio en caso de que tenga dudas si su enchufe está conectado a tierra adecuadamente. No modifique la clavija incluida con la aspiradora. Si no entra en el tomacorriente, un técnico capacitado debe instalar uno adecuado.

Esta aspiradora es para usarse en un circuito nominal de 120 voltios y tiene una clavija de conexión a tierra parecida a la mostrada en el Diagrama A. Si la toma de corriente puesta a tierra no está disponible puede usar un adaptador temporal parecido al ilustrado en el Diagrama B para conectar este enchufe a un tomacorriente de dos

polos. Debe usar el adaptador temporal solo hasta que un electricista calificado instale un enchufe adecuado con conexión a tierra, Diagrama A. La pestaña rígida de color verde, la agarradera o similar que se extiende desde el adaptador debe estar conectada a tierra permanentemente, como la cubierta de la caja del enchufe debidamente conectado a tierra. Cada vez que se utilice el adaptador, se debe fijar con un tornillo de metal.



ENSAMBLE



¡PRECAUCIÓN! Ensamble la aspiradora por completo antes de usar.

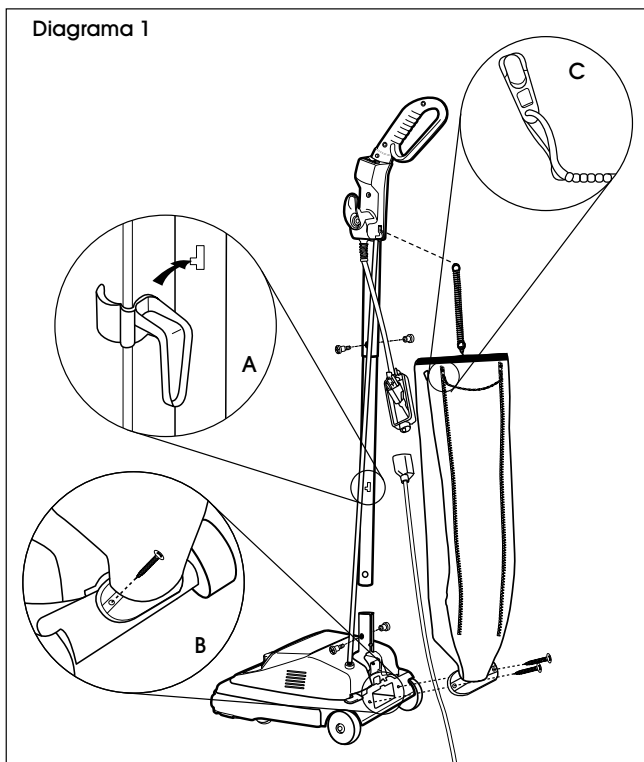
PAQUETE DE ENSAMBLE (INCLUIDO)

Contiene: Dos pernos de dos partes, dos tornillos, soporte inferior para cable, una cinta adicional y una tira de doble cierre.



PAQUETE DE ENSAMBLE

Diagrama 1



NOTA: Retire todas las partes de la caja e identifique cada artículo que se muestra. Asegúrese de ubicar todas las piezas antes de desechar el material de empaque.

1. Deslice las asas superiores e inferiores junto de modo que los agujeros estén alineados. Inserte el perno de dos partes y apriete usando el desarmador.



NOTA: Asegúrese de que el recorte para el asa inferior para el soporte del cable esté colocado correctamente. (Vea Diagrama 1A)

2. Sostenga el ensamblaje del asa de manera que la forma curva quede lejos de la aspiradora. Coloque el asa inferior en el conector para asa en la parte posterior de la aspiradora. Alinee los orificios. Inserte el perno de dos partes y apriete usando el desarmador.
3. Asegure el soporte inferior para cable en el recorte del asa inferior. (Vea Diagrama 1A) Deje suficiente margen para que el cable no se fuerce al insertar el asa.



NOTA: El soporte inferior para cable se debe alinear con el superior de modo que el cable se pueda envolver para almacenarlo.

4. Conecte el cable de cambio rápido a la extensión.
5. Envuelva el cable alrededor de ambos soportes para cable y ate la clavija para evitar que se desenrede. Para remover el cable rápidamente, gire el gancho superior hacia abajo.
6. Sostenga la bolsa de tela con el cierre en dirección contraria al asa. Alinee los orificios en el reborde inferior de la bolsa con la base de la aspiradora y asegure con dos tornillos. (Vea Diagrama 1B) Abroche el resorte de la bolsa al gancho de soporte para bolsa en el asa superior.
7. Fije la tira de doble cierre. (Vea Diagrama 1C)



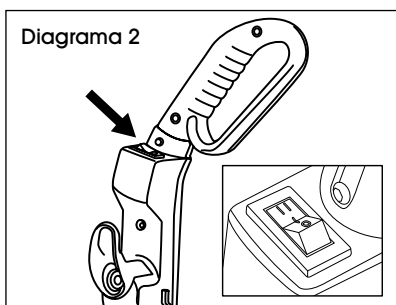
¡ADVERTENCIA! No utilice la tira de doble cierre para levantar la aspiradora.

INTERRUPTOR DE CORRIENTE



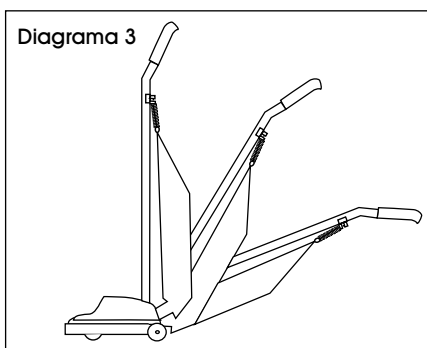
¡PRECAUCIÓN! La aspiradora vertical es apta para usarse en diferentes tipos de alfombra. No intente usar la aspiradora con el cepillo giratorio en movimiento sobre pisos sin alfombra, ya que podría causar daños en el recubrimiento del piso.

1. Conecte el cable al enchufe.
2. Presione hacia abajo el interruptor (I) para cambiar a QuietClean®. Presione el interruptor (II) para máxima potencia. (Vea Diagrama 2)
3. Presione el interruptor (O) para apagar.



AJUSTES DEL ASA

1. Pise el liberador del asa ubicado en el lateral izquierdo posterior de la aspiradora. Mueva el asa y ajuste a la posición deseada. (Vea Diagrama 3)
2. Pise el liberador del asa una segunda vez para permitir que el asa quede plana para limpiar debajo de muebles bajos. (Vea Diagrama 3)



EXTENSIÓN ELÉCTRICA

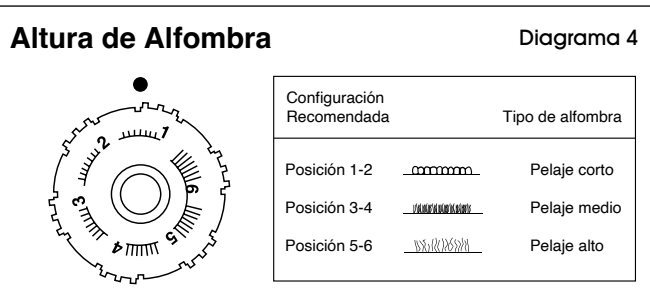
1. Conecte la extensión al cable de cambio rápido.
2. Utilice extensión tipo SJT de calibre 16 AWG como requisito mínimo.

AJUSTE DE ALTURA DE LA ASPIRADORA



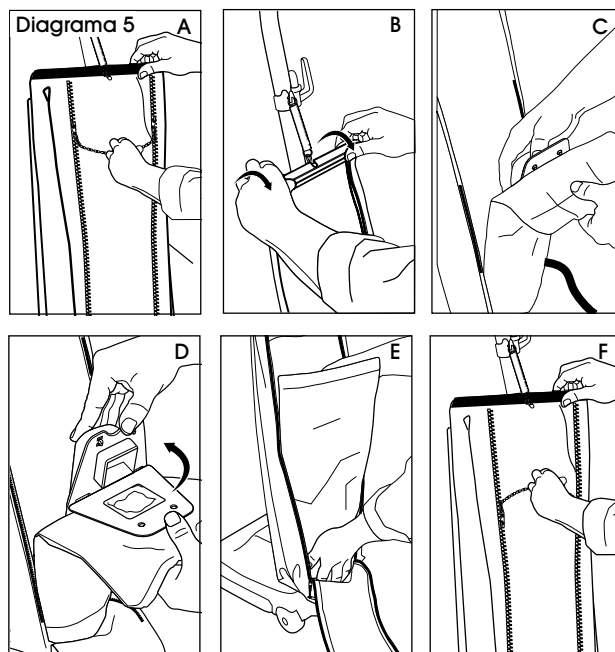
¡ADVERTENCIA! Evite lesiones. Mantenga alejados de cualquier parte en movimiento (como el cepillo giratorio) la ropa holgada, cabello, dedos y otras partes corporales. Apague y desconecte la aspiradora antes de cambiar la altura.

1. Con el cable desconectado, ajuste la base a la configuración más alta con la perilla de ajuste de cinco posiciones.
2. Encienda la aspiradora y baje la configuración un nivel a la vez hasta que oiga las cerdas tocar la alfombra. Este debe ser un cambio de sonido notable. (Vea Diagrama 4)



CAMBIAR LA BOLSA PARA POLVO

1. Sujete la parte superior de la bolsa y suelte ambos cierres jalando el conector de doble cierre hacia abajo. (Vea Diagrama 5A)
2. Suelte la tapa de bolsa sujetando las pestañas para dedos y la tapa giratorio hacia la parte posterior de la bolsa. (Vea Diagrama 5B)
3. Apoye la parte superior del tubo para polvo y empuje el collar de la bolsa de polvo hacia adelante. (Vea Diagrama 5C)
4. Coloque el nuevo collar de la bolsa de polvo en las pestañas del interfaz del tubo para polvo y gire hasta que las pestañas del tubo para polvo se instalen en los orificios del collar de la bolsa de polvo. (Vea Diagrama 5D)
5. Acomode la parte inferior de la bolsa de polvo en la porción inferior de la bolsa exterior. (Vea Diagrama 5E)
6. Reemplace la tapa de la bolsa y jale el conector con doble cierre hacia arriba para cerrar la parte posterior de la bolsa exterior. (Vea Diagrama 5F)



MANTENIMIENTO



¡PRECAUCIÓN! Apague y desconecte el cable antes de comenzar las actividades de mantenimiento.



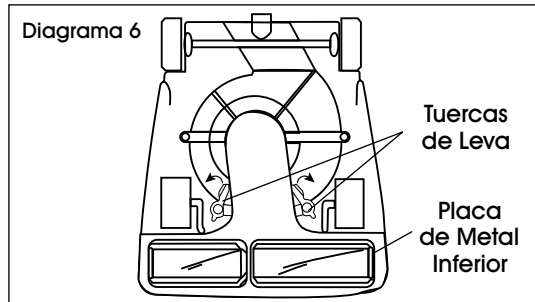
¡PRECAUCIÓN! La instalación inadecuada del cepillo giratorio o la banda para cepillo giratorio podría causar daños a la alfombra.

CÓMO REEMPLAZAR UNA BANDA DESGASTADA

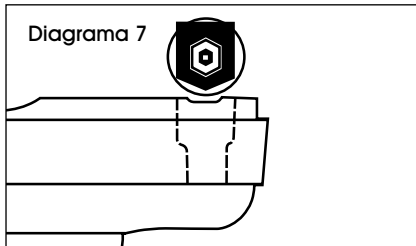


¡ADVERTENCIA! Las poleas de la banda pueden calentarse durante el uso normal. Para evitar quemaduras, no toque la polea mientras le da mantenimiento a la banda de transmisión.

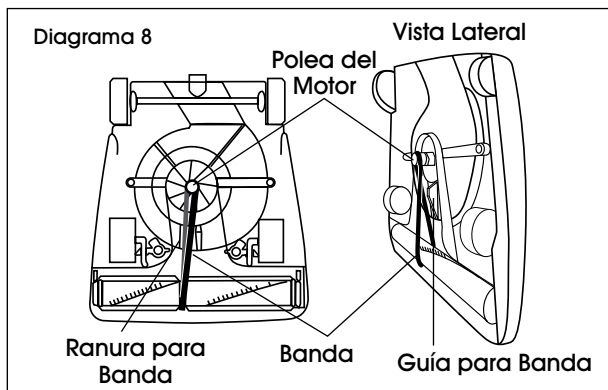
1. Libere las tuercas de leva y retire la placa inferior. Jale la banda hacia arriba, gire para sacarla de la polea del motor. Levante el cepillo giratorio y retire la banda desgastada. Coloque la cinta nueva alrededor del cepillo giratorio. Alinee la polea para cepillo giratorio con la guía para banda. (Vea Diagrama 6)



2. Asegúrese de que la tapa de caucho para extremo esté instalada correctamente. Alinee las tapas para extremo con las ranuras en la base de la aspiradora. Empuje el cepillo giratorio dentro de la base. (Vea Diagrama 7)

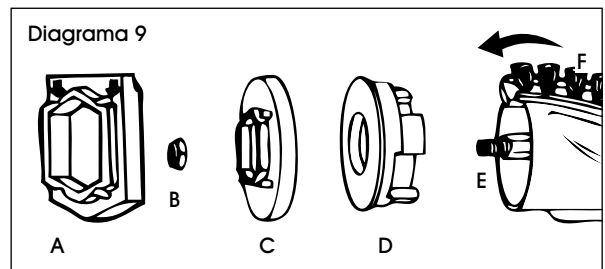


3. Coloque el lateral inferior de la banda en la guía para banda y jale para estirar la banda alrededor del lateral izquierdo de la polea del motor. Gire la polea para asegurar la banda en la ranura. Reemplace la placa inferior y asegure con tuercas de leva. (Vea Diagrama 8)



CÓMO REEMPLAZAR LAS TIRAS DE CERDAS

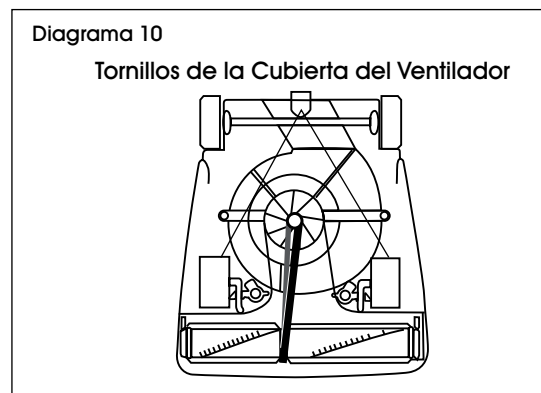
1. Retire la tapa de caucho para extremo (A) de un extremo. Destornille la contratuerca (B). Retire la tapa para extremo (C). El cepillo giratorio con balero liso incluye una rondana de eje (no se muestra). (Vea Diagrama 9)
2. Retire el soporte de balero (D). Empuje el eje (E) a través del extremo opuesto. Extraiga la tira de cerdas desgastada (F) con pinzas. Deslice una nueva tira de cerdas del mismo largo hacia adentro. (Vea Diagrama 9)
3. Coloque el riel en cualquiera de los lados de la tira de cerdas en la ranura para el cepillo giratorio. Reemplace la segunda tira del extremo opuesto del cepillo giratorio. (Vea Diagrama 9)



4. Reemplace el eje. Alinee la hendidura en el soporte para balero con la tira de cerdas en ambos extremos del cepillo giratorio. Ensamble de nuevo el resto del cepillo giratorio y asegúrelo en la base.

CÓMO LIMPIAR LA CÁMARA DEL VENTILADOR

1. La cubierta removible transparente de la cámara del ventilador permite la inspección, limpieza y mantenimiento del mismo. Libere dos tuercas de leva y retire la placa inferior. Retire las dos tuercas para liberar la cubierta despejada del ventilador. (Vea Diagrama 10)



DESPEJAR OBSTRUCCIONES



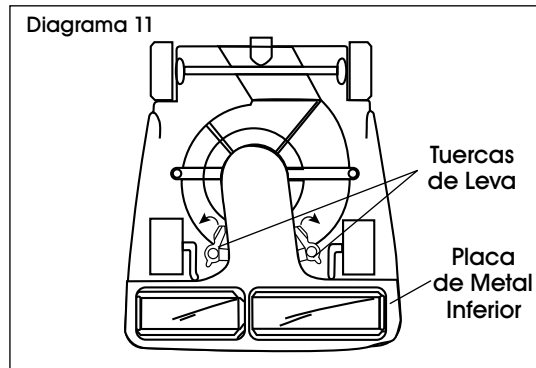
¡PRECAUCIÓN! Asegúrese de que la aspiradora esté apagada y desconectada.

LA BOLSA DE POLVO PODRÍA ESTAR LLENA

- Revise la bolsa para polvo y colóquela de nuevo si no está llena. Vea "Cambiar la Bolsa para Polvo" en la página 10.

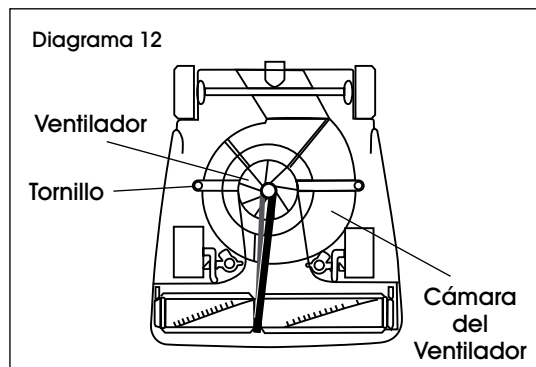
VERIFIQUE SI EL CEPILLO GIRATORIO TIENE DESECHOS

1. Si la bolsa de polvo no está llena, verifique la parte inferior de la aspiradora y el cepillo giratorio.
 - a. Voltee la aspiradora hacia abajo. Corte los hilos con tijeras.
 - b. De ser necesario, suelte las tuercas de leva y retire la placa de metal inferior. Quite los desechos alrededor del cepillo giratorio. (Vea Diagrama 11)



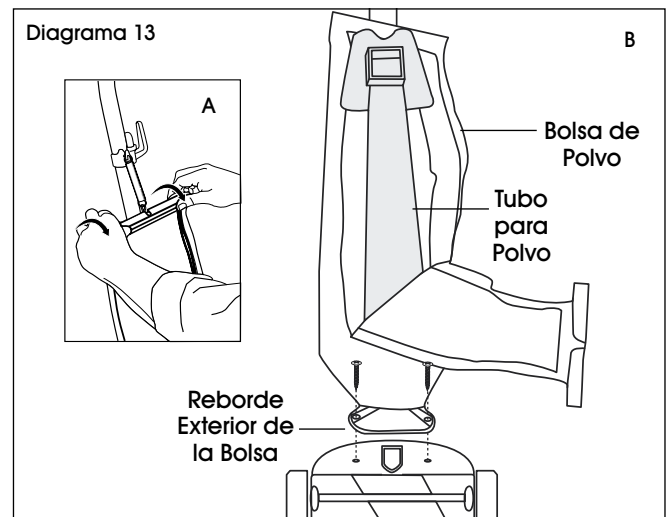
CÓMO DESPEJAR LAS OBSTRUCCIONES EN LA CÁMARA DEL VENTILADOR

1. Si no hay una obstrucción en el cepillo giratorio, podría haber una obstrucción en la cámara transparente del ventilador. Si está obstruida, libere las dos tuercas de leva y retire la placa inferior. Quite los dos tornillos para liberar la cubierta transparente del ventilador. (Vea Diagrama 12)
 - a. Use un gancho para ayudar a soltar la obstrucción alrededor del ventilador, pero no retire el ventilador.



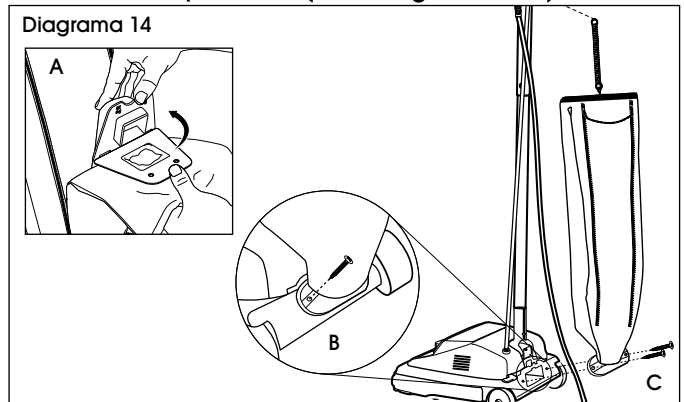
CÓMO DESPEJAR LAS OBSTRUCCIONES EN EL TUBO PARA POLVO

1. Si no puede ver una obstrucción en la cámara del ventilador y la cámara gira libremente, la obstrucción podría estar en el tubo para polvo que conecta la aspiradora a la bolsa de polvo.
 - a. Quite la tapa de la bolsa de tela sujetando las pestañas para dedos y girando la tapa hacia la parte frontal de la bolsa. (Vea Diagrama 13A)
 - b. Baje el cierre de la bolsa de tela y retire la bolsa de polvo del tubo de plástico para polvo.
 - c. Usando un desarmador, retire el reborde exterior de la bolsa de la base de la aspiradora. Use una herramienta o gancho para empujar los escombros completamente a través del tubo para polvo para quitar la obstrucción. (Vea Diagrama 13B)



CÓMO ENSAMBLAR LA ASPIRADORA DE NUEVO

1. Vuelva a fijar el tubo para polvo a la bolsa de polvo. Coloque el collar de la bolsa de polvo en las pestañas del tubo para polvo.
 - a. Vuelva a fijar la tapa a la bolsa de tela y jale el cierre hacia arriba. (Vea Diagrama 14A)
 - b. Reemplace la placa inferior de metal. Asegure las tuercas de leva. (Vea Diagrama 14B)
 - c. Dele a la aspiradora la vuelta hacia arriba. Atornille el reborde exterior de la bolsa a la base de la aspiradora. (Vea Diagrama 14C)



MANTENIMIENTO DE RUTINA

DIARIO

1. **Bolsa de Repuesto** – Antes de cada uso, inspeccione la bolsa de repuesto y deséchela si está a 2/3 o más llena. Verifique si la bolsa de tela tiene desechos y límpiela de ser necesario.
2. **Estado de la Cinta** – Verifique si la cinta tiene señales de desgaste. Cambie la cinta si está suelta o tiene cortes o grietas. Consulte el diagrama en la parte inferior de la base para la instalación adecuada de la cinta y el cepillo giratorio.
3. **Cable de Alimentación y Enchufe** – Revise si hay daños en el cable de alimentación y la clavija. Si está dañado, consiga que un centro de reparaciones Sanitaire calificado reemplace el ensamblaje del cable y la clavija.
4. **Motor** – Si escucha sonidos inusuales o tiene bajo rendimiento, el motor debe ser inspeccionado en un centro de reparaciones Sanitaire calificado.

SEMANAL

1. **Bolsa de Polvo de Tela** – Inspeccione el ensamblaje de la bolsa de polvo y verifique que no haya desgaste inusual. Reemplace clips doblados, resortes estirados o una bolsa desgastada con partes de repuesto genuinas Sanitaire.
2. **Tiras de Cerdas para Cepillo Giratorio** – Revise si hay desgaste en las cerdas. Las tiras de cerdas se deben reemplazar cuando las cerdas sean de menos de 0.64 cm (1/4 pulg) de largo.
3. **Estado del Cepillo** – Verifique y remueva todo el material suelto, tales como hilo o cabello envuelto alrededor del cepillo giratorio.

MENSUAL

1. **Limpieza** – Inspeccione y limpie la aspiradora, incluyendo la cámara del ventilador y debajo de la cubierta.
2. **Eléctrica** – Inspeccione el ensamblaje del cable y verifique que no haya desgastes y que el asa esté ensamblada adecuadamente.
3. **Asa** – Verifique que el ensamblaje del asa esté ajustado y reemplace los pernos del asa de ser necesario.
4. **Motor** – Un centro de reparaciones Sanitaire calificado debe llevar a cabo una verificación rutinaria cada 6 meses. Inspeccione el motor de inmediato si percibe sonidos inusuales o si ocurre rendimiento pobre.

SOLUCIÓN DE PROBLEMAS

PROBLEMA DE FUNCIONAMIENTO	RECOMENDACIONES
El motor no enciende.	<ol style="list-style-type: none"> 1. Encienda el interruptor. 2. Inserte la clavija con precaución en el tomacorriente. 3. Trate en otra toma de corriente.
La succión es poca o nula.	<ol style="list-style-type: none"> 1. Podría haber una obstrucción en la parte inferior de la aspiradora o en el tubo para polvo. <ol style="list-style-type: none"> a. Retire la placa de metal inferior y verifique si hay obstrucciones en la base o el cepillo giratorio. b. Baje el cierre de la bolsa de tela, retire la bolsa de polvo y verifique si hay obstrucciones en el tubo para polvo. 2. La banda podría estar quebrada. Reemplace la banda.
La aspiradora no limpia.	<ol style="list-style-type: none"> 1. La bolsa de polvo podría estar llena. 2. Reemplace la bolsa de polvo si está a 2/3 o más llena. 3. Ajuste la configuración de altura de la alfombra a una posición más baja. 4. Verifique si hay obstrucciones que restringen la circulación del aire. 5. Verifique si la cinta está desgastada o quebrada y reemplace si es necesario.
En difícil empujar la aspiradora.	<ol style="list-style-type: none"> 1. Ajuste la configuración de altura de la alfombra a una posición más baja.
La aspiradora está obstruida.	<ol style="list-style-type: none"> 1. Retire la placa de metal inferior. Verifique si hay obstrucciones en la base y/o cepillo giratorio. 2. Retire la bolsa de polvo. Revise si hay obstrucciones donde la bolsa de polvo se fija al collar de la bolsa de polvo o donde la bolsa de polvo se fija al tubo para polvo.
Olor a quemado.	<ol style="list-style-type: none"> 1. La cinta podría estar dañada o algo podría estar atorado en el cepillo giratorio. 2. Verifique el cepillo giratorio y retire las obstrucciones. 3. Reemplace la banda.
Sale polvo de la aspiradora.	<ol style="list-style-type: none"> 1. Revise y asegúrese de que el collar de la bolsa de papel esté fijado adecuadamente dentro de la bolsa de tela. 2. Verifique si hay roturas la bolsa de papel.
La banda está quebrada o desgastada.	<ol style="list-style-type: none"> 1. Reemplace la banda.
La banda se sigue rompiendo.	<ol style="list-style-type: none"> 1. El cepillo giratorio se debe posicionar con el lado bajo de la banda alineado dentro de la ranura para cinta.

ULINE

800-295-5510
uline.mx

ULINE H-3480

SANITAIRE^{MD} —

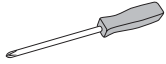
ASPIRATEUR INDUSTRIEL

1-800-295-5510

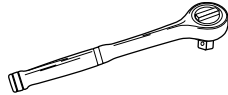
uline.ca



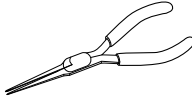
OUTILS REQUIS



Tournevis cruciforme



Clé à douille de 3/8 po



Pince

SÉCURITÉ



REMARQUE : Durant l'utilisation d'un appareil électrique, des précautions élémentaires doivent toujours être respectées, y compris la suivante : **LISEZ LES DIRECTIVES AU COMPLET AVANT D'UTILISER CET ASPIRATEUR.**



AVERTISSEMENT! Pour réduire les risques d'incendie, de choc électrique ou de blessure :

- N'utilisez pas l'appareil à l'extérieur ou sur des surfaces humides.
- Ne laissez pas l'aspirateur sans surveillance lorsqu'il est branché. Éteignez l'aspirateur et débranchez le cordon d'alimentation lorsque l'aspirateur n'est pas en service et avant tout entretien.
- L'aspirateur ne doit pas être utilisé en tant que jouet. Soyez particulièrement attentif lorsqu'il est utilisé par des enfants ou à proximité d'enfants.
- Utilisez l'aspirateur uniquement selon les instructions de ce manuel. N'utilisez que les accessoires recommandés par le fabricant.
- N'utilisez pas l'aspirateur si le cordon ou la fiche sont endommagés. Si l'aspirateur ne fonctionne pas adéquatement, s'il est tombé, s'il a été endommagé, s'il a été laissé à l'extérieur ou s'il est tombé dans l'eau, retournez-le à Uline avant de l'utiliser.
- Ne tirez pas et ne transportez pas l'appareil par son cordon. N'utilisez pas le cordon comme poignée, ne fermez pas de porte sur le cordon et ne contournez pas des coins ou des rebords tranchants avec le cordon. Ne passez pas avec l'aspirateur sur le cordon. Maintenez le cordon à l'écart des surfaces chaudes.
- N'utilisez aucune rallonge ou prise dont l'intensité de courant admissible est inadéquate.
- Éteignez toutes les commandes avant de débrancher l'appareil.
- Ne tirez pas sur le cordon d'alimentation pour débrancher l'aspirateur. Pour le débrancher, tirez sur la fiche et non sur le cordon.
- Ne manipulez pas la fiche ou l'appareil lorsque vos mains sont mouillées.
- N'insérez pas d'objets dans les ouvertures. N'utilisez pas l'appareil lorsqu'une ouverture est obstruée; maintenez les ouvertures exemptes de poussière, de peluche, de cheveux ou de tout élément pouvant réduire la circulation d'air.
- Cet aspirateur crée une aspiration et contient une brosse de battage rotative. Gardez les cheveux, les vêtements amples, les doigts et toute autre partie du corps à l'écart des ouvertures et des pièces en mouvement.
- Ne placez pas l'aspirateur sur les meubles ou dans les escaliers car la brosse de battage peut causer des dommages.
- N'aspirez aucune matière brûlante ou dégageant de la fumée, comme des cigarettes, des allumettes ou des cendres chaudes.
- N'utilisez pas l'aspirateur si aucun filtre ou sac à poussière n'est installé.
- Les roues de courroie peuvent devenir chaudes durant l'utilisation normale. Afin d'éviter toute brûlure, évitez de toucher la roue de courroie lors de l'entretien de la courroie d'entraînement.
- Soyez particulièrement prudent lorsque vous nettoyez un escalier.
- Ne ramassez ni liquides inflammables ni combustibles tels que l'essence et ne l'utilisez pas dans les endroits où ces produits peuvent être présents.
- Entrez l'aspirateur à l'intérieur dans un endroit frais et sec.
- Maintenez votre aire de travail bien éclairée.
- Débranchez les appareils électriques avant de les nettoyer avec l'aspirateur.



MISE EN GARDE! CET APPAREIL DOIT ÊTRE MIS À LA TERRE. En cas de défaillance ou de panne, la mise à la terre fournit au courant électrique un chemin de moindre résistance afin de réduire le risque de choc électrique.



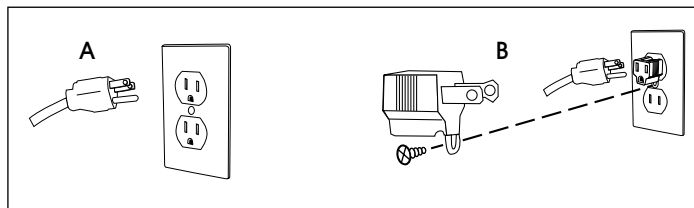
REMARQUE : L'aspirateur est muni d'un cordon comportant un conducteur de mise à la terre de l'appareil et une fiche de mise à la terre. La fiche doit être branchée dans une prise appropriée correctement installée et mise à la terre conformément à tous les codes et règlements locaux.

DANGER

Une mauvaise connexion du conducteur de mise à la terre de l'appareil peut entraîner un risque de choc électrique. Vérifiez auprès d'un électricien qualifié ou d'un service technique si vous avez des doutes quant à la mise à la terre de la prise électrique. Ne modifiez pas la fiche fournie avec l'aspirateur. Si elle ne convient pas à la prise, faites installer une prise de courant appropriée par un technicien qualifié.

Cet aspirateur est conçu pour être utilisé sur un circuit nominal de 120 volts et est doté d'une fiche de mise à la terre illustrée sur la Figure A. Un adaptateur temporaire illustré sur la Figure B peut être utilisé pour brancher cette fiche à une prise bipolaire, comme indiqué, si aucune prise correctement mise à la terre n'est disponible. L'adaptateur ne peut être utilisé que provisoirement jusqu'à ce qu'une prise correctement mise à la terre, Figure A, soit installée par un électricien qualifié.

La languette rigide verte (crochet ou autre pièce similaire) attachée à l'adaptateur doit être branchée à une mise à la terre permanente telle qu'un couvercle de boîte de sortie correctement mis à la terre. Chaque fois qu'un adaptateur est utilisé, il doit être maintenu en place par une vis métallique.



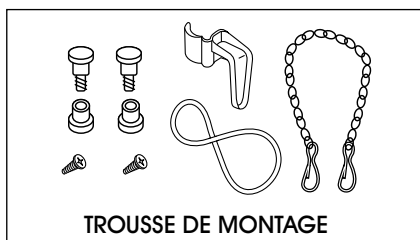
MONTAGE



MISE EN GARDE! Assemblez complètement l'aspirateur avant de l'utiliser.

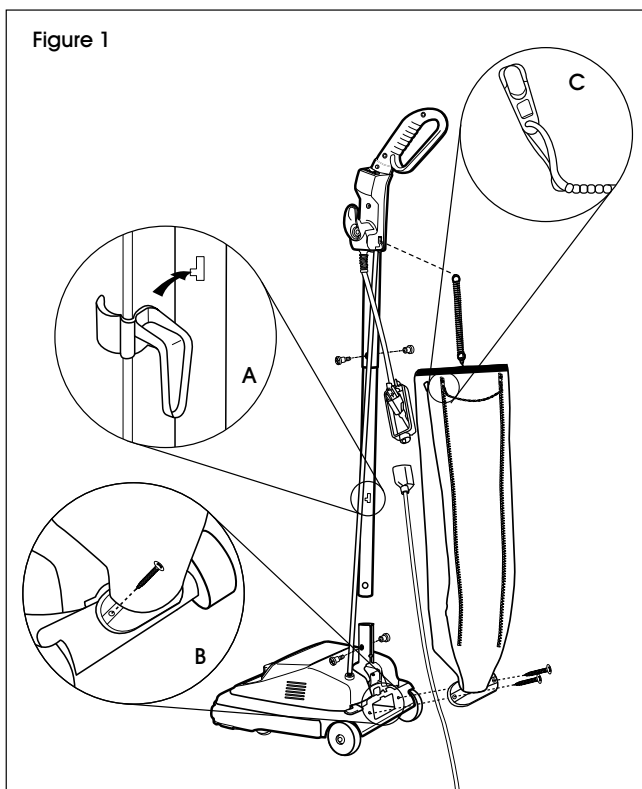
TROUSSE DE MONTAGE (INCLUDE)

Contient : deux boulons à 2 éléments, deux vis, un crochet à cordon d'alimentation inférieur, une courroie supplémentaire et un connecteur de double fermeture à glissière.



TROUSSE DE MONTAGE

Figure 1



REMARQUE : Retirez toutes les pièces du carton et identifiez chaque élément illustré. Assurez-vous de localiser toutes les pièces avant de jeter l'emballage.

1. Faites glisser ensemble les composants inférieur et supérieur de la poignée de façon à aligner les trous. Insérez un boulon à 2 éléments et serrez-le à l'aide d'un tournevis.



REMARQUE : Assurez-vous que l'encoche de la poignée inférieure du crochet à cordon est correctement positionnée. (Voir Figure 1A)

2. Saisissez la poignée assemblée de façon à ce que celle-ci se recourbe à l'écart de l'aspirateur. Insérez le bas de la poignée dans l'emboîtement à l'arrière de l'aspirateur. Alignez les trous. Insérez un boulon à 2 éléments et serrez-le à l'aide d'un tournevis.
3. Fixez le crochet à cordon d'alimentation inférieur dans l'encoche au bas de la poignée. (Voir Figure 1A) Laissez suffisamment de mou pour que le cordon ne soit pas tendu lorsque la poignée est insérée.



REMARQUE : Le crochet à cordon inférieur doit être aligné sur le crochet à cordon supérieur afin d'enrouler le cordon d'alimentation pour l'entreposage.

4. Branchez le cordon d'alimentation à changement rapide dans la rallonge.
5. Enroulez le cordon autour des deux crochets à cordon et attachez la fiche pour éviter que le cordon ne se déroule. Pour retirer rapidement le cordon, tournez le crochet supérieur vers le bas.
6. Tenez le sac en toile avec la fermeture à glissière à l'opposé de la poignée. Alignez les trous au bas du collet de sac inférieur sur la base de l'aspirateur, puis fixez-le à l'aide de deux vis. (Voir Figure 1B) Bouclez le ressort du sac sur le crochet de support du sac se trouvant sur la partie supérieure de la poignée.
7. Fixez le connecteur de double fermeture à glissière. (Voir Figure 1C)



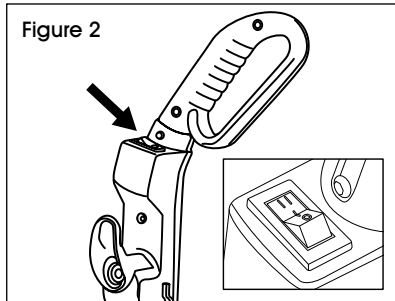
AVERTISSEMENT! Ne soulevez pas l'aspirateur à l'aide du connecteur de double fermeture à glissière.

INTERRUPTEUR D'ALIMENTATION



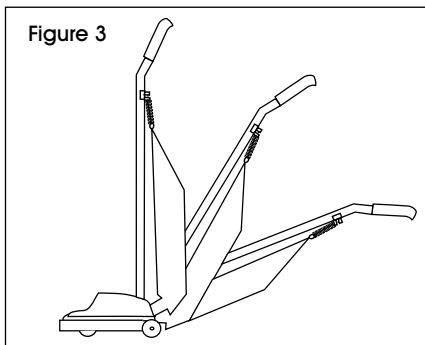
MISE EN GARDE! L'aspirateur vertical est conçu pour être utilisé sur plusieurs types de tapis. N'essayez pas d'utiliser l'aspirateur avec la brosse de battage fonctionnant sur des planchers, car cela pourrait endommager le revêtement de sol.

1. Branchez le cordon d'alimentation dans la prise.
2. Appuyez sur l'interrupteur (I) pour passer en mode QuietClean^{MD}. Appuyez sur l'interrupteur (II) pour obtenir la pleine puissance. (Voir Figure 2)
3. Appuyez sur l'interrupteur (O) pour éteindre l'appareil.



RÉGLAGE DE LA POIGNÉE

1. Appuyez sur la pédale de dégagement de poignée située sur le côté arrière gauche de l'aspirateur. Déplacez la poignée et ajustez-la à la position souhaitée. (Voir Figure 3)
2. Appuyez une seconde fois sur la pédale de dégagement pour mettre la poignée à plat afin de nettoyer sous les meubles bas. (Voir Figure 3)



RALLONGE

1. Branchez la rallonge au cordon d'alimentation à changement rapide.
2. Utilisez une rallonge de 16 AWG et de type SJT au minimum.

RÉGLAGES DE HAUTEUR DE L'ASPIRATEUR



AVERTISSEMENT! Évitez les blessures. Tenez les vêtements amples, les cheveux, les doigts et toute autre partie du corps à l'écart de toute pièce mobile (comme la brosse rotative). Éteignez et débranchez l'aspirateur avant de changer la hauteur.

1. Avec le cordon d'alimentation débranché, ajustez la base à la position la plus élevée en utilisant le bouton d'ajustement à cinq positions.
2. Allumez l'aspirateur et baissez le réglage d'un cran à la fois jusqu'à ce que vous entendiez les poils de brosse toucher le tapis. Vous remarquerez un changement notable quant au bruit de l'aspirateur. (Voir Figure 4)

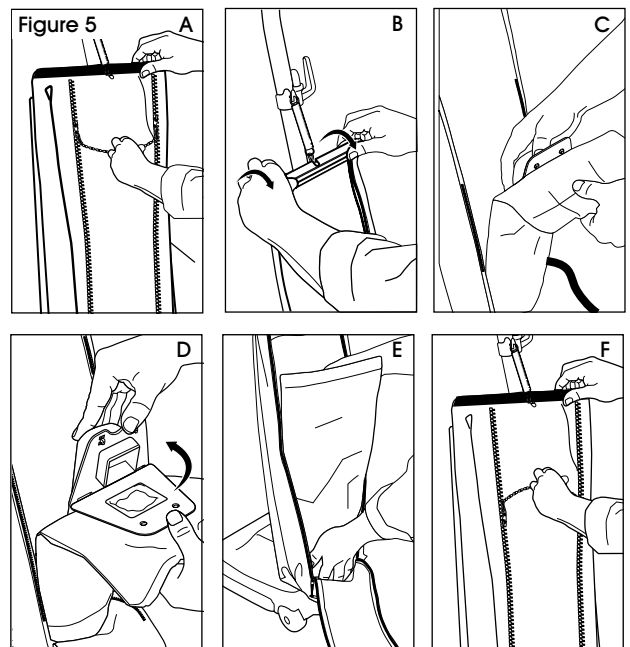
Épaisseur du tapis

Figure 4

Réglage recommandé	Exemple de tapis	
Position 1-2		Velours ras
Position 3-4		Velours moyen
Position 5-6		Velours long

REPLACEMENT DU SAC À POUSSIÈRE

1. Saisissez le haut du sac et ouvrez les deux fermetures à glissière en tirant vers le bas sur le connecteur de double fermeture à glissière. (Voir Figure 5A)
2. Desserrez le bouchon de sac en saisissant les languettes et en tournant le bouchon vers l'arrière du sac. (Voir Figure 5B)
3. Tout en soutenant le haut du tube à poussière, tirez le collier du sac à poussière vers l'avant. (Voir Figure 5C)
4. Placez le collier du sac à poussière neuf sur les languettes de l'interface du tube à poussière et tournez vers le haut jusqu'à ce que les languettes du tube à poussière s'enclenchent dans les trous du collier du sac à poussière. (Voir Figure 5D)
5. Insérez le bas du sac à poussière dans la partie inférieure du sac externe. (Voir Figure 5E)
6. Remplacez le bouchon de sac et remontez le connecteur de double fermeture à glissière pour fermer l'arrière du sac externe. (Voir Figure 5F)



ENTRETIEN



MISE EN GARDE! Éteignez l'aspirateur et débranchez le cordon d'alimentation avant tout entretien.



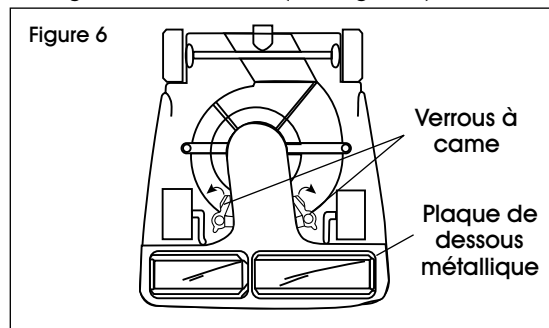
MISE EN GARDE! Une installation incorrecte de la brosse de battage ou de la courroie de brosse de battage peut endommager le tapis.

REPLACEMENT DE COURROIE USÉE

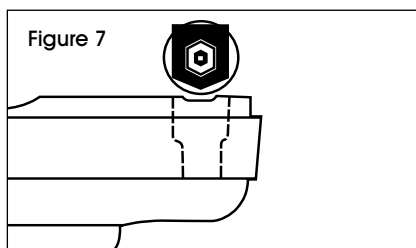


AVERTISSEMENT! Les roues de courroie peuvent devenir chaudes durant l'utilisation normale. Afin d'éviter toute brûlure, évitez de toucher la roue de courroie lors de l'entretien de la courroie d'entraînement.

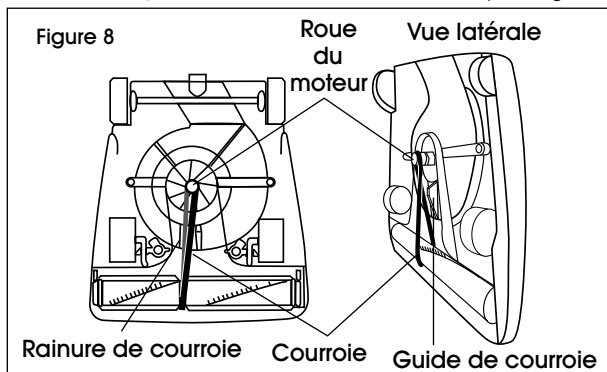
1. Desserrez les verrous à came et retirez la plaque de dessous. Tirez sur la courroie pour la dérouler de la roue du moteur. Soulevez la brosse de battage et retirez la courroie usée. Installez la courroie neuve autour de la brosse de battage. Alignez la roue de brosse de battage avec le guide de courroie. (Voir Figure 6)



2. Assurez-vous que le couvercle de l'embout en caoutchouc est correctement installé. Alignez les embouts sur les fentes dans la base de l'aspirateur. Poussez la brosse de battage dans la base. (Voir Figure 7)

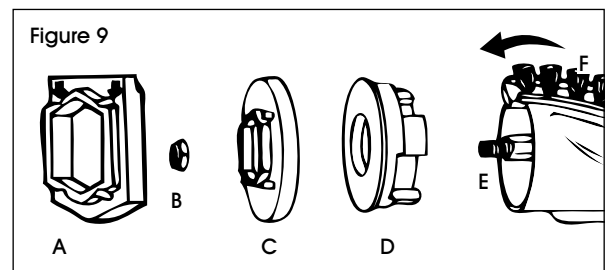


3. Placez le côté inférieur de la courroie dans le guide de la courroie et tirez pour tendre la courroie autour du côté gauche de la roue du moteur. Faites tourner la roue pour fixer la courroie dans la rainure. Réinstallez la plaque de dessous et fixez-la en place avec les verrous à came. (Voir Figure 8)



REPLACEMENT DES BANDES DE BROSSE DE BATTAGE

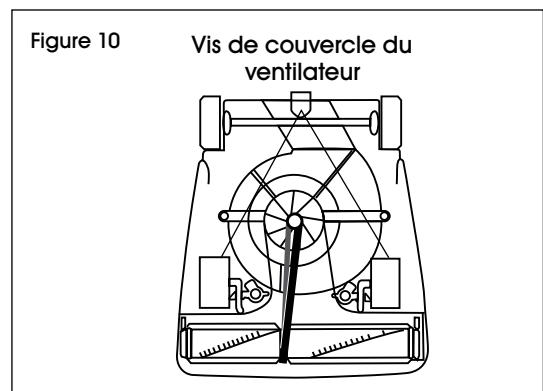
1. Retirez l'embout en caoutchouc (A) d'une extrémité. Dévissez l'écrou freiné (B). Enlevez l'embout (C). Le palier à douille de la brosse de battage comprend une rondelle tige (non illustrée). (Voir Figure 9)
2. Enlevez la plaque de retenue (D). Poussez la tige (E) par l'extrémité opposée. Retirez la bande de brosse de battage usée avec une pince. Insérez une bande de brosse de battage neuve de même longueur. (Voir Figure 9)
3. Installez le rail de chaque côté de la bande dans la fente de la brosse de battage. Remplacez la seconde bande depuis l'extrémité opposée de la brosse de battage. (Voir Figure 9)



4. Réinstallez la tige. Alignez l'encoche de la plaque de retenue sur la bande de brosse de battage à chaque extrémité de la brosse de battage. Remontez le reste de la brosse de battage et installez-la dans la base de l'aspirateur.

NETTOYAGE DE LA CHAMBRE DU VENTILATEUR

1. Le couvercle transparent et amovible de la chambre du ventilateur permet une inspection, un nettoyage et un entretien faciles du ventilateur. Desserrez les deux verrous à came et retirez la plaque de dessous. Retirez les deux vis pour enlever le couvercle transparent du ventilateur. (Voir Figure 10)



NETTOYAGE D'OBSTRUCTIONS



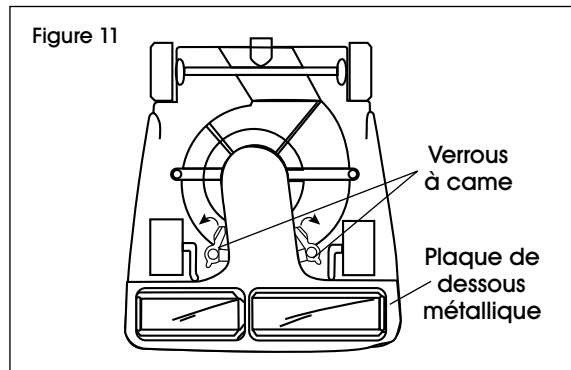
MISE EN GARDE! Assurez-vous que l'aspirateur est éteint et débranché.

LE SAC À POUSSIÈRE PEUT ÊTRE PLEIN

- Vérifiez et remplacez le sac à poussière s'il est plein. Voir la section « Remplacement du sac à poussière » à la page 17.

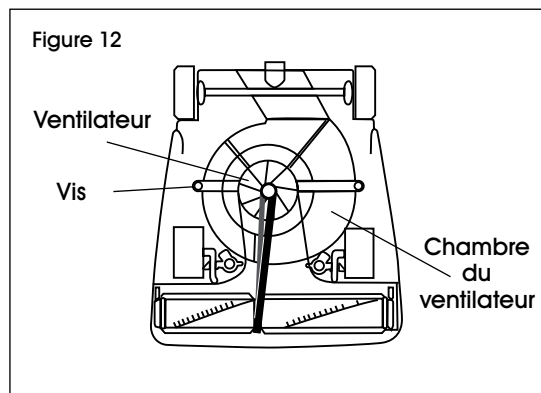
VÉRIFICATION DE LA PRÉSENCE DE DÉBRIS SUR LA BROsse DE BATTAGE

1. Si le sac à poussière n'est pas plein, vérifiez le dessous de l'aspirateur et la brosse de battage.
 - a. Placez l'aspirateur à l'envers. Coupez les ficelles avec des ciseaux.
 - b. Si nécessaire, desserrez les verrous à came et retirez la plaque de dessous métallique. Retirez tout débris se trouvant autour de la brosse de battage. (Voir Figure 11)



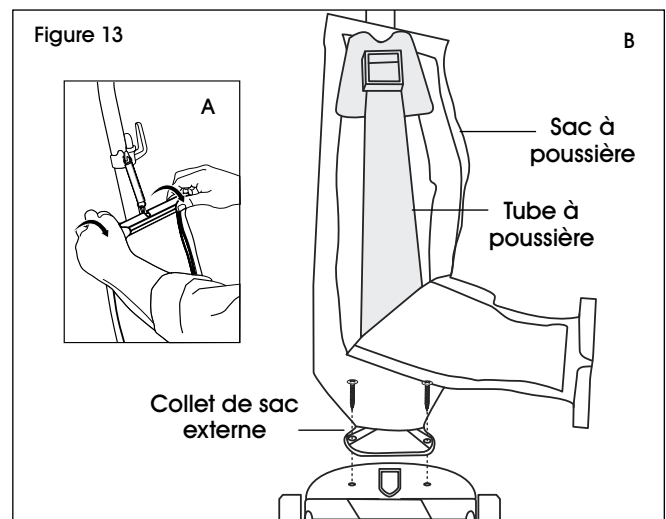
NETTOYAGE D'OBSTRUCTIONS DANS LA CHAMBRE DU VENTILATEUR

1. S'il n'y a pas d'obstruction autour de la brosse de battage, il peut y avoir une obstruction dans la chambre transparente du ventilateur. Si vous constatez une obstruction, desserrez les deux verrous à came et retirez la plaque de dessous. Retirez les deux vis pour enlever le couvercle transparent du ventilateur. (Voir Figure 12)
 - a. Utilisez un cintre pour retirer l'obstruction autour du ventilateur, mais n'enlevez pas le ventilateur.



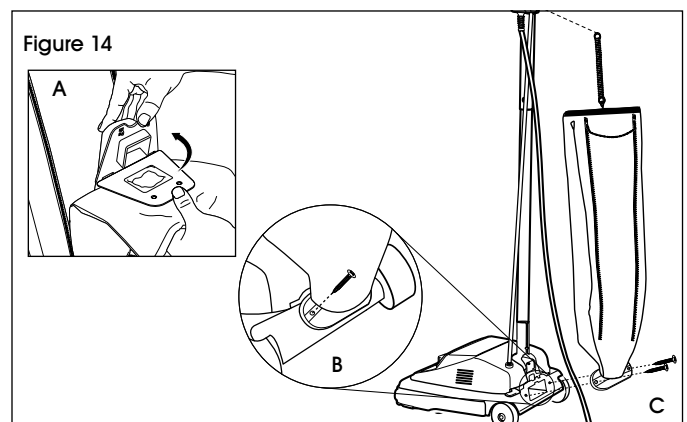
NETTOYAGE D'OBSTRUCTIONS DANS LE TUBE À POUSSIÈRE

1. Si vous ne voyez aucune obstruction dans la chambre du ventilateur et que le ventilateur tourne librement, l'obstruction peut se trouver dans le tube à poussière qui relie l'aspirateur au sac à poussière.
 - a. Desserrez le bouchon sur le sac en toile en saisissant les languettes et en tournant le bouchon vers l'avant du sac. (Voir Figure 13A)
 - b. Ouvrez le sac en toile à fermeture à glissière et retirez le sac à poussière du tube à poussière en plastique.
 - c. À l'aide d'un tournevis, retirez le collet de sac externe de la base de l'aspirateur. Utilisez un outil ou un cintre pour pousser tout débris entièrement à travers le tube à poussière et évacuer l'obstruction. (Voir Figure 13B)



REMONTAGE DE L'ASPIRATEUR

1. Rattachez le tube à poussière au sac à poussière. Installez le collier du sac à poussière par-dessus les languettes du tube à poussière.
 - a. Réinstallez le bouchon sur le sac en toile et remontez la double fermeture à glissière. (Voir Figure 14A)
 - b. Réinstallez la plaque de dessous métallique et fixez-la en place avec les verrous à came. (Voir Figure 14B)
 - c. Placez l'aspirateur à l'endroit. Vissez le collet de sac externe dans la base de l'aspirateur. (Voir Figure 14C).



ENTRETIEN RÉGULIER

QUOTIDIEN

1. **Sac de rechange** – Avant chaque utilisation, inspectez le sac de rechange et jetez-le s'il est rempli aux 2/3 ou plus. Vérifiez le sac en toile pour des débris et nettoyez-le au besoin.
2. **Condition de la courroie** – Vérifiez la courroie pour des marques d'usure. Changez la courroie quand elle est lâche ou présente des coupures ou des fissures. Consultez le schéma en dessous de la base pour une installation correcte de la courroie et de la brosse de battage.
3. **Cordon d'alimentation et fiche** – Inspectez le cordon d'alimentation et la fiche pour tout signe de dommage ou de coupures. Si endommagés, veillez à ce que l'ensemble du cordon d'alimentation et la fiche soit remplacé par un centre de service Sanitaire qualifié.
4. **Moteur** – En cas de bruits inhabituels ou d'un faible rendement, le moteur doit être inspecté immédiatement par un centre de service Sanitaire qualifié.

HEBDOMADAIRE

1. **Sac à poussière en toile** – Inspectez l'ensemble du sac à poussière pour toute usure inhabituelle. Remplacez les pinces pliées, les ressorts étirés ou un sac usé avec les pièces de rechange de marque Sanitaire.
2. **Bandes de brosse de battage** – Vérifiez les poils pour toute usure. Les bandes doivent être remplacées lorsque les poils ont une longueur inférieure à 1/4 de pouce.
3. **Condition de la brosse de battage** – Vérifiez et enlevez toute matière lâche comme des ficelles ou des cheveux enroulés autour de la brosse de battage.

MENSUEL

1. **Nettoyage** – Inspectez et nettoyez l'aspirateur, y compris la chambre du ventilateur et sous le capot.
2. **Électrique** – Inspectez l'ensemble du cordon pour toute usure et vérifiez que la poignée est correctement assemblée.
3. **Poignée** – Vérifiez le serrage de l'ensemble de la poignée et remplacez les boulons de la poignée s'il en manque.
4. **Moteur** – Un centre de service Sanitaire qualifié devrait faire un contrôle de routine du moteur tous les 6 mois. Inspectez immédiatement le moteur en cas de bruits inhabituels ou de faible rendement.

DÉPANNAGE

PROBLÈME	RECOMMANDATIONS
Le moteur ne démarre pas.	<ol style="list-style-type: none"> 1. Allumez l'interrupteur. 2. Enfoncez bien la fiche dans la prise de courant. 3. Essayez une autre prise de courant.
Aspiration faible ou inexistante.	<ol style="list-style-type: none"> 1. Le dessous de l'aspirateur ou le tube à poussière peut être obstrué. <ol style="list-style-type: none"> a. Retirez la plaque de dessous métallique et vérifiez si la base de l'aspirateur ou la brosse de battage est obstruée. b. Ouvrez le sac en toile à fermeture à glissière, retirez le sac à poussière et vérifiez si le tube à poussière est obstrué. 2. La courroie peut être cassée. Remplacez la courroie.
L'aspirateur ne nettoie pas.	<ol style="list-style-type: none"> 1. Le sac à poussière peut être plein. 2. Remplacez le sac à poussière s'il est rempli aux 2/3 ou plus. 3. Ajustez le réglage de la hauteur du tapis à une position plus basse. 4. Vérifiez s'il y a des obstructions qui limitent le flux d'air. 5. Vérifiez si la courroie est usée ou cassée et remplacez-la si nécessaire.
L'aspirateur est difficile à pousser.	<ol style="list-style-type: none"> 1. Ajustez le réglage de la hauteur du tapis à une position plus élevée.
L'aspirateur est obstrué.	<ol style="list-style-type: none"> 1. Retirez la plaque de dessous métallique. Vérifiez si la base de l'aspirateur et/ou la brosse de battage est obstruée. 2. Retirez le sac à poussière. Vérifiez s'il y a une obstruction entre le sac à poussière et son collier, et entre le sac à poussière et le tube à poussière.
Odeur de brûlé.	<ol style="list-style-type: none"> 1. La courroie peut être endommagée ou quelque chose peut être coincé dans la brosse de battage. 2. Vérifiez la brosse de battage et enlevez l'obstruction. 3. Remplacez la courroie.
De la poussière s'échappe de l'aspirateur.	<ol style="list-style-type: none"> 1. Vérifiez que le collier du sac en papier est correctement attaché dans le sac en toile. 2. Vérifiez s'il y a des déchirures dans le sac en papier.
La courroie est cassée ou usée.	<ol style="list-style-type: none"> 1. Remplacez la courroie.
La courroie se casse continuellement.	<ol style="list-style-type: none"> 1. La brosse de battage devrait être positionnée de façon à ce que le côté inférieur de la courroie s'aligne avec la rainure de la courroie.

ULINE

1-800-295-5510
uline.ca