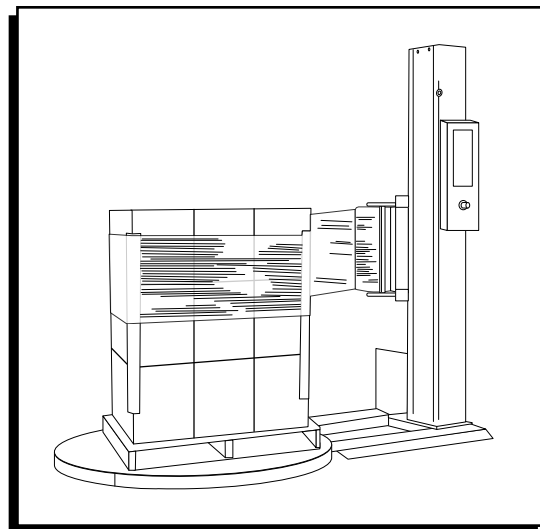


ULINE H-3701

110" SEMI-AUTOMATIC STRETCH WRAP MACHINE

1-800-295-5510
uline.ca



SYSTEM SPECIFICATIONS

MACHINE DIMENSIONS

Length	98"
Width	60"
Height	131"
Turntable Diameter	60"
Turntable Height from Floor	3 ¹ / ₄ "
Wrapping Height	110"
Operation Space	98 x 60 x 129"
Maximum Load Size	52 x 52 x 110"
Approximate Shipping Weight	1,250 lbs.

ELECTRICAL SPECIFICATIONS

- 115 VAC, 60 Hz, Single-phase, 15 AMP

TURNTABLE SYSTEM

- 20 loads per hour (spiral)
- 12 RPM turntable maximum speed
- 4,000 lbs. turntable maximum load capacity

FILM CARRIAGE / ELEVATOR SYSTEM

- Adjustable raise and lower speeds
- Automatic height detection photoelectric sensor

FILM DELIVERY SYSTEM

- Infinite / Manual Stretch Adjustment
- 10" Diameter Roll Capacity
- 20" Roll Width Capacity



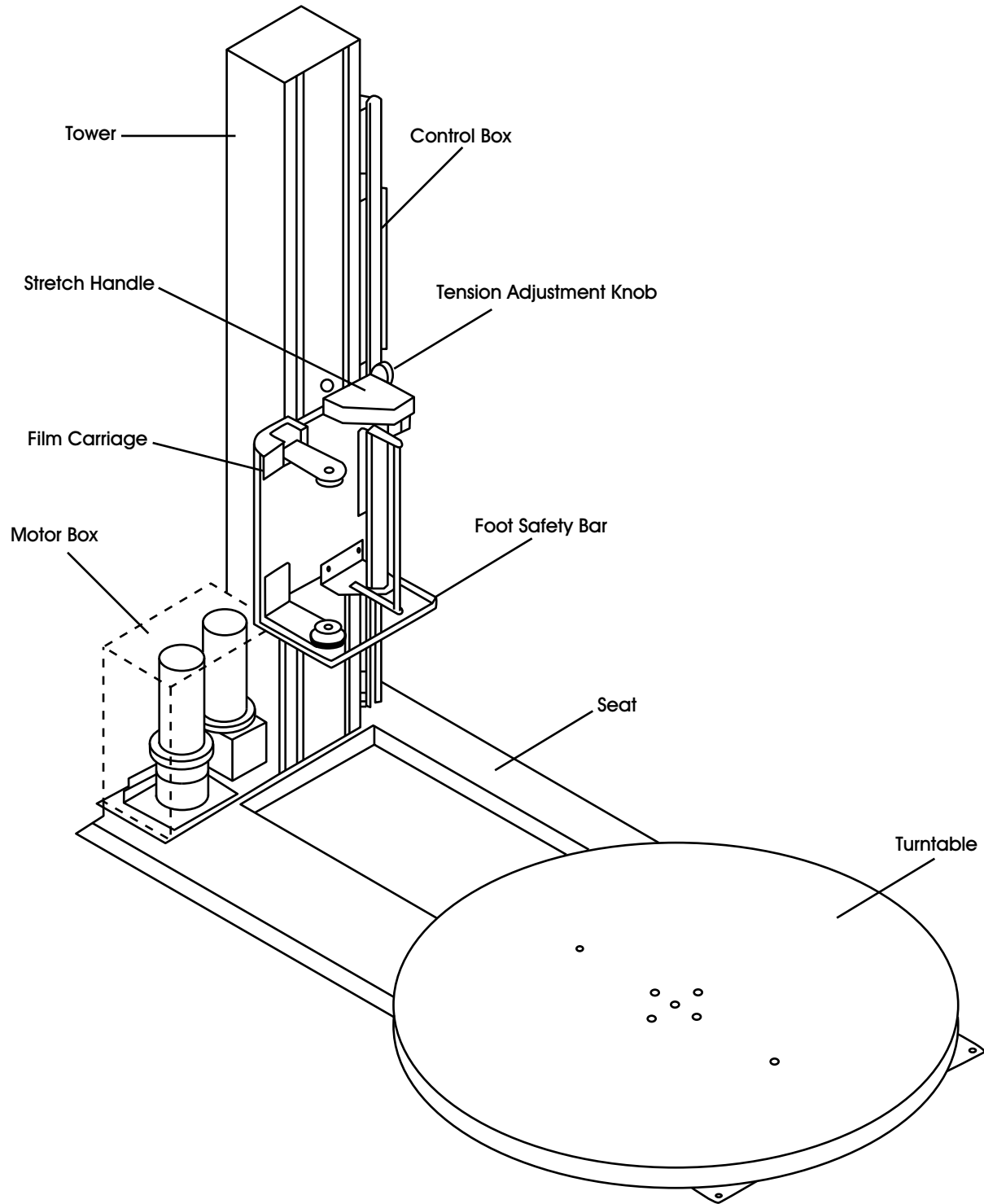
CAUTION! Motor control equipment and electronic controllers are connected to hazardous line voltages. When servicing drive and controllers, there may be exposed components with housings or protrusions at or above line potential. Extreme care should be taken to protect against shock.



WARNING! Loose clothing must NOT be worn while the machine is in operation. Stay clear of moving parts while the machine is running.

- The user is responsible for conforming to all applicable code requirements with respect to grounding requirements. Do NOT use extension cords to operate the equipment.
- Do not plug into GFCI outlets.
- Disconnect AC input power before checking components, performing maintenance, cleaning up, and when the machine is not in use. Do NOT connect or disconnect wires and connectors while power is applied to circuit.
- Wiring work should be performed only by qualified personnel. There is a danger of electric shock or fire.

SYSTEM DESCRIPTION



SYSTEM SET-UP

MACHINE PLACEMENT

Place the Automatic Stretch Wrap Machine close to an area where you will be wrapping your pallet loads. Make sure that there is sufficient room to load/unload the machine and that you do not stretch the wiring cable. Remember, you will need to provide electrical service to a 120 VAC, 15-AMP outlet.

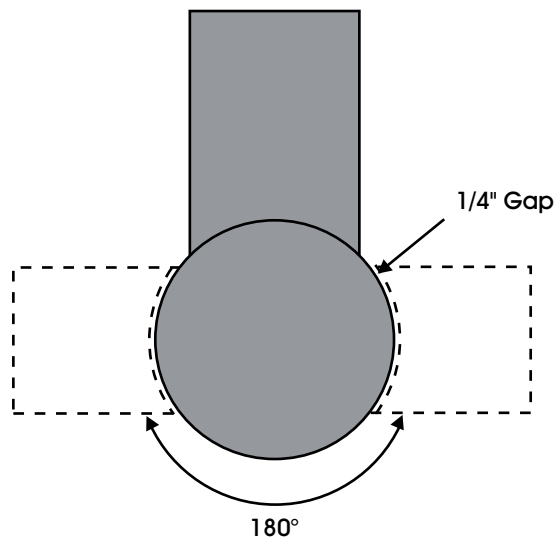
FLOOR WEIGHT BEARING TOLERANCE

The floor must be able to bear the weight of the machine, the weight of the maximum load, plus a safety factor. The floor must also be able to tolerate the stress of the machine's operation. If fork trucks will operate on the same weight bearing area, add the weight of the trucks to the weight bearing stress tolerance requirements.

MACHINE SET-UP

1. Place skidded machine close to the designated wrap area. Remove all shipping fasteners holding the machine to the pallet. The machine may be crated with the tower tilted down with the motor cover front carriage roller removed for shipping purpose.
2. Place forks of the forklift through the tubes provided at the rear base of the module, remove the machine from these skids, and place it at the designated wrap area.
3. If the OPTIONAL ramp (H-1071) is purchased: Select a ramp position as illustrated below. The ramp can be positioned anywhere in a 180° rotation around the front of the turntable. There should be a 1/4" gap between the turntable and the ramp. The ramp should be fully supported by the floor. (See Figure 1)

Figure 1



ASSEMBLY INSTRUCTIONS

1. The Automatic Stretch Wrap Machine will arrive with similar crating to what is shown to the right. Please remove the protective packaging and prepare the unit to stand up. (See Figure 2)

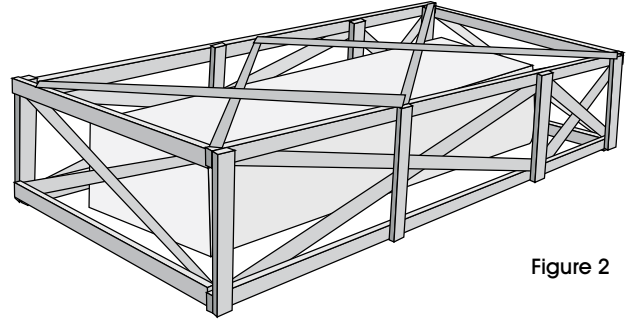


Figure 2

2. Once the machine has been successfully uncrated, the next step is to begin erecting the tower. Start by leaning the tower until fully upright. (See Figure 3)



CAUTION: Heavy Materials! Two or more people are required for assembly.

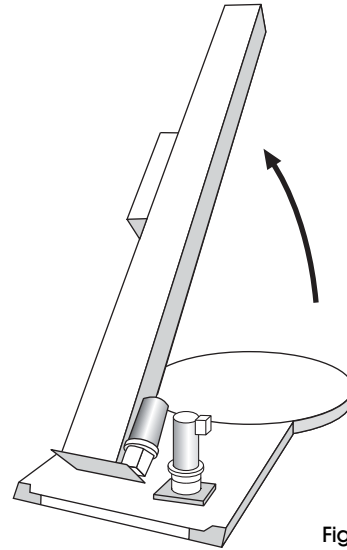


Figure 3

3. Align the 5 bolts in the threaded inserts and tighten completely. Next, the carriage will need to be mounted to the tower. (See Figure 4)



CAUTION: Always have one or more people supporting the tower while tightening bolts.

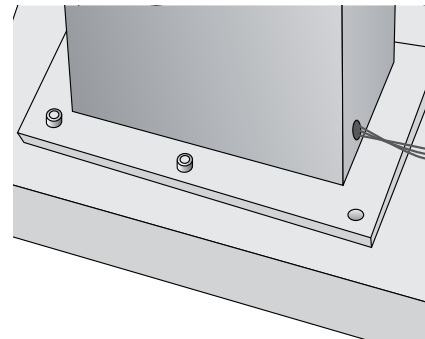


Figure 4

4. To mount the carriage, start by removing the bottom 4 bolts from the carriage mount bracket. (See Figure 5)

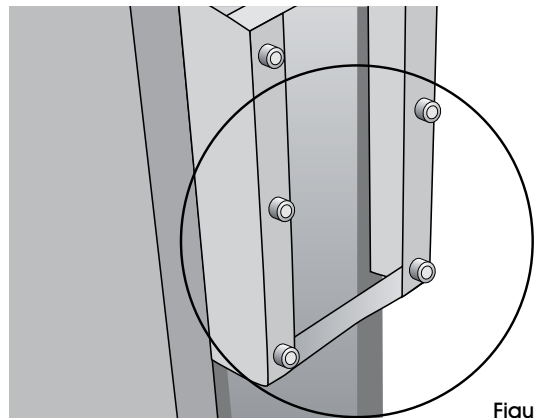


Figure 5

ASSEMBLY INSTRUCTIONS CONTINUED

5. Loosen the top 2 bolts to hang the carriage in place.
(See Figure 6)

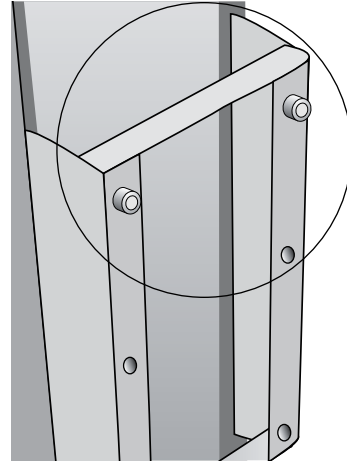


Figure 6

6. Align the top two bolts with slotted bolt holes at the top of the carriage and hang in place. (See Figure 7)

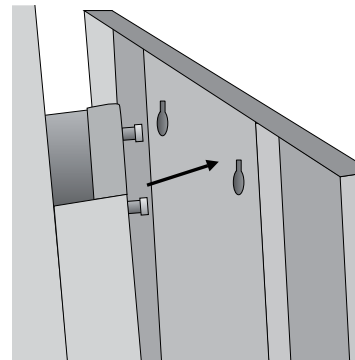


Figure 7

7. The next step is to remount the photo sensor from its protected shipping position. (See Figure 8)

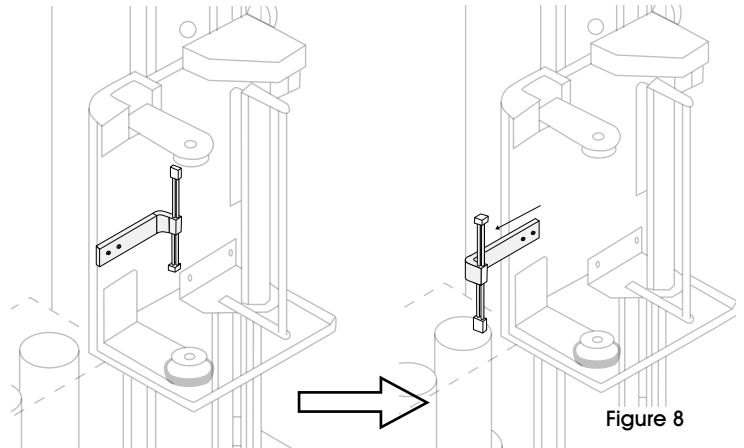


Figure 8

8. Tighten up all 6 bolts on the back of the carriage.
(See Figure 9)

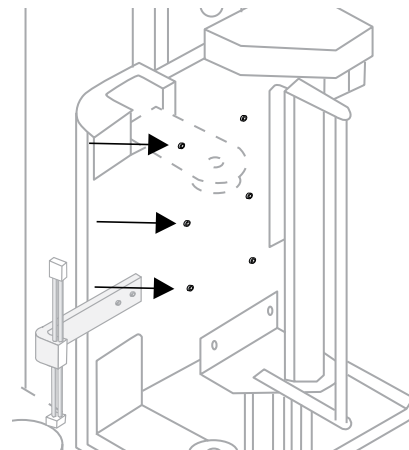


Figure 9

CONTROL BOX

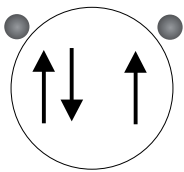




LED DISPLAY

- EO Emergency Stop Condition
- System is normal
- A Mode A Selected
- B Mode B Selected
- CO Continue operation by pushing START button
- S System is in Manual

BUTTONS

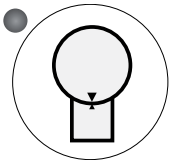


WRAPPING MODE A - WRAP UP AND DOWN

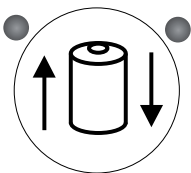
The LED on the button's upper left is on. In Mode A, the bottom wrap is applied first, and then the top wrap follows. The film carriage comes down to its home position after wrapping cycle is finished.

WRAPPING MODE B - WRAP UP ONLY

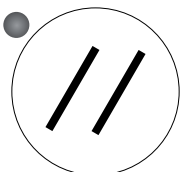
The LED on the upper left is on. In Mode B, after a bottom to top wrapping is completed, the carriage stays on the top. The START button flashes at this point. To resume the operation, push START. When the carriage reaches the bottom, the START button turns off. Push START button again to begin a new cycle.



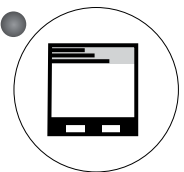
The TURNTABLE JOG button allows you to manually operate the turntable. When this button is pushed, the light on the button's upper left is on. Push START button to run the table. Pushing the button again will stop the turntable and the light will turn off. This button may be used in conjunction with the CARRIAGE JOG button.



The CARRIAGE JOG button allows you to manually operate the carriage. When this button is pushed, one of the lights on the button's upper right or left is on. The upper left light indicates that the carriage will go up when the START button is pushed. Conversely, the upper right light indicates the carriage will go down when the START button is pushed. To pause operation, simply push this button again. Both indicator lights will go off. This button may be used in conjunction with the TURNTABLE JOG button.

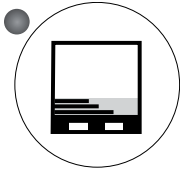


Push this RESET button, followed by the START button, to reset the system. The turntable will return to its home position and the carriage will lower.

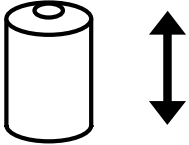


Push the TOP WRAPS button to select the number of top wraps desired (0 - 9).

CONTROL BOX CONTINUED



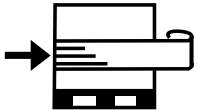
Push the **BOTTOM WRAPS** button to select the number of bottom wraps desired (0 - 9).



Turn the **CARRIAGE SPEED** adjustment knob clockwise to increase, and counterclockwise to decrease the carriage speed. This allows you to adjust the overlap of your film.



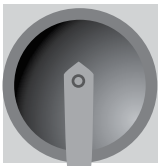
Turn the **TURNTABLE SPEED** adjustment knob clockwise to increase, and counterclockwise to decrease the turntable speed.



The **BANDING** button is used for applying multi-layer reinforcing wraps in automatic or manual mode. Push and hold this button: the carriage will stop raising / lowering. When released, the carriage will resume its movement.



The **EMERGENCY STOP** button stops the turntable in the event of emergency. This will **NOT** stop the turntable instantly. The turntable will coast to a stop, depending on the load's weight, after this button is pushed.



This switches the main power **ON** or **OFF**.



WARNING! The **FOOT SAFETY BAR**, located underneath the film carriage works only when the machine is **ON**. When the bar is activated, the main power will shut **OFF**. Releasing the bar will reactivate the main power. Push **START** button to resume the operation.

MACHINE OPERATION

FILM LOADING



CAUTION! Be sure **EMERGENCY STOP** is pushed in before threading the film and pulled out when the film is threaded.

1. Place the film on the film mandrel.
2. Set the Stretch Handle to the OFF position to release film tension.
3. Follow the Film Feed Diagram and thread the 6 foot film tail **ALL THE WAY** through the rollers.
4. Set the Stretch Handle to the OFF position to release film tension.
5. Rotate the Stretch Tension Adjustment Knob clockwise to increase film tension or counterclockwise to decrease film tension.
6. Attach the film securely to the pallet. Tying the end of the film in a knot often helps secure the film to the pallet.

NORMAL SYSTEM START-UP

1. Place the film on the film mandrel.
2. Set the Stretch Handle to the OFF position to release film tension.
3. Thread the film as instructed and attach it to the product.
4. Set the desired numbers for top and bottom wrap counts.
5. Select wrapping mode A or B.
6. Press the **START** button to initiate cycle.

STOP CONDITION

1. In the event of an emergency, press the **STOP** button. This cancels the current wrapping cycle and immediately stops the system. The turntable will coast to a stop.
2. Correct the problem
3. Pull the **STOP** button out and perform normal system start-up procedure.



NOTE: After pressing the **STOP** button, wait for at least **60 seconds** before pulling the button back out. This will allow the microcontroller card to completely turn off.

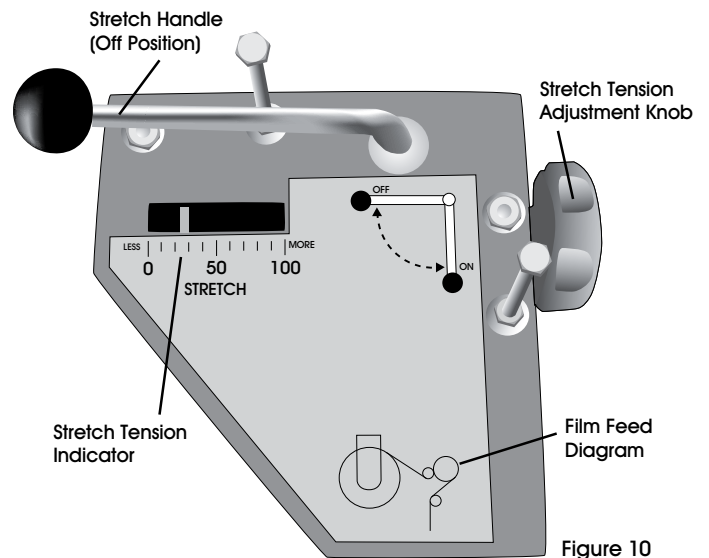


Figure 10

APPLYING REINFORCEMENT WRAPS

1. Press the **START** button as normal to initiate cycle.
2. As the carriage travels up, press and hold the **BANDING** button. The carriage will stop and reinforcing wraps will be applied.
3. Letting go of the **BANDING** button will resume the cycle.

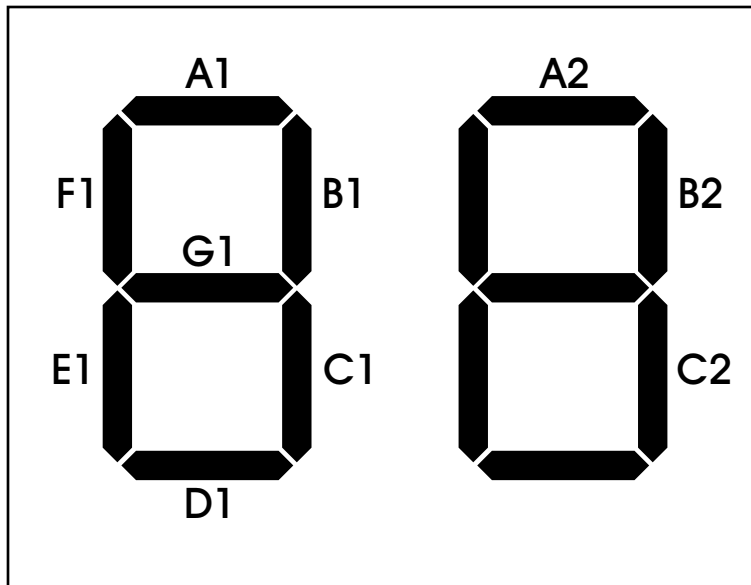
SELF-TEST PROCEDURE

An operator may check the status of the machine by running a self-test. If the procedure is carried out properly, the INFO screen will display the location of the problem(s).

To run the self-test, follow the procedure below:

1. Turn the turntable and carriage speed adjustment knobs to maximum (clockwise) position.
2. Put a load on the turntable (about 3 feet tall).
3. While holding down the TURNTABLE JOG and CARRIAGE JOG buttons, turn the main disconnect switch ON.
4. Release the buttons after the screen shows EE.
5. Push the START button. The machine will run the test, which takes approximately 2 minutes.
6. The screen will display the alarm code. Refer to the table below for code information.

DISPLAY	POSSIBLE PROBLEM LOCATION(S)
A1	Film carriage Safety Bar EMERGENCY STOP button Electrical enclosure safety switch
B1	Film carriage max upper limit switch
C1	Film carriage max down limit switch
D1	Turntable count/home proximity switch
E1	BANDING push button
F1	START push button
G1	Package height photo sensor
A2	START light
B2	Turntable motor
C2	Carriage motor



TROUBLESHOOTING



WARNING! Make sure that only qualified personnel perform inspection, troubleshooting and part replacement.



CAUTION! Disconnect all power, including external control power that may be present, before servicing the frequency drive controllers. **WAIT** for three (3) minutes for the DC bus capacitors to discharge. The frequency drive controller's display and/or LEDs are not accurate indicators of the absence of DC bus voltage.

OPERATING ISSUE	CAUSES	RECOMMENDATIONS
Machine not powering on.	Main power is turned off.	Check that power is going to the machine. Verify that switch is turned on.
	Machine not plugged into 120VAC outlet.	Verify the voltage going to the machine matches the power supply labels on the power module.
	Power supply faulty.	
	Internal battery not charged.	
	Film carriage foot engaged.	Remove obstruction from Film Carriage foot.
Film carriage malfunctioning.	FILM CARRIAGE SPEED dial not set high enough.	Adjust potentiometer towards 100% to set speed.
	Resistance of potentiometer not equal to 5K_ across.	Tighten wiring, replace dial if necessary.
	The carriage limit switch lever arm is obstructed.	Remove obstruction and/or clean limit switch head.
	Microcontroller card inside electrical enclosure not turned on.	Check and switch on the main circuit breaker.
Turntable is malfunctioning.	Turntable speed potentiometer dial not set high enough.	Adjust potentiometer towards 100% to set speed.
	Resistance of potentiometer not equal to 5K_ across.	Tighten wiring, replace dial if necessary.
	Microcontroller card inside electrical enclosure not turned on.	Check and switch on main circuit breaker.
	The turntable motor is not running.	Tighten or replace motor wiring as necessary.
		Check turntable for mechanical restrictions.
		Replace microcontroller or turntable output relav.



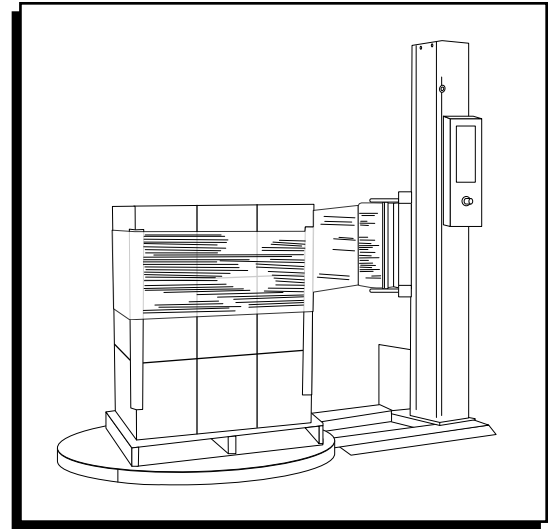
1-800-295-5510
uline.ca

ULINE H-3701

**DESPACHADORA
DE 110" AUTOMÁTICA
DE PELÍCULA ELÁSTICA**

1-800-295-5510

uline.ca



ESPECIFICACIONES DEL SISTEMA

DIMENSIONES DE LA MÁQUINA

Largo	249 cm (98")
Ancho	152 cm (60")
Altura	333 cm (131")
Diámetro de Plataforma Giratoria	152 cm (60")
Altura de Plataforma Giratoria desde el Piso	8.3 cm (3 1/4")
Altura para Envolver	279 cm (110")
Espacio de Funcionamiento	251 x 152 x 328 cm (99 x 60 x 129")
Tamaño Máximo de Carga	132 x 132 x 279 cm (52 x 52 x 110")
Peso Aproximado del Envío	567 kg (1,250 lbs.)



¡PRECAUCIÓN! El equipo de control del motor y los reguladores están conectados a líneas de voltaje peligrosas. Cuando dé mantenimiento a la unidad y a los reguladores, los componentes pueden estar expuestos con cubiertas o salientes en o por encima de la línea de voltaje. Deberá tomar precauciones extremas para protegerse de choques eléctricos.



¡ADVERTENCIA! NO debe usar ropa holgada mientras la máquina esté funcionando. Manténgase alejado de las partes móviles mientras la máquina esté operando.

ESPECIFICACIONES ELÉCTRICAS

- 115 VAC, 60 Hz, Monofásica, 15 AMP

SISTEMA DE PLATAFORMA GIRATORIA

- 20 cargas por hora (espiral)
- 12 RPM de velocidad máxima de plataforma giratoria
- Capacidad máxima de 4,000 lbs. de carga de la plataforma giratoria

SISTEMA DEL PORTADOR DE PELÍCULA/ELEVADOR

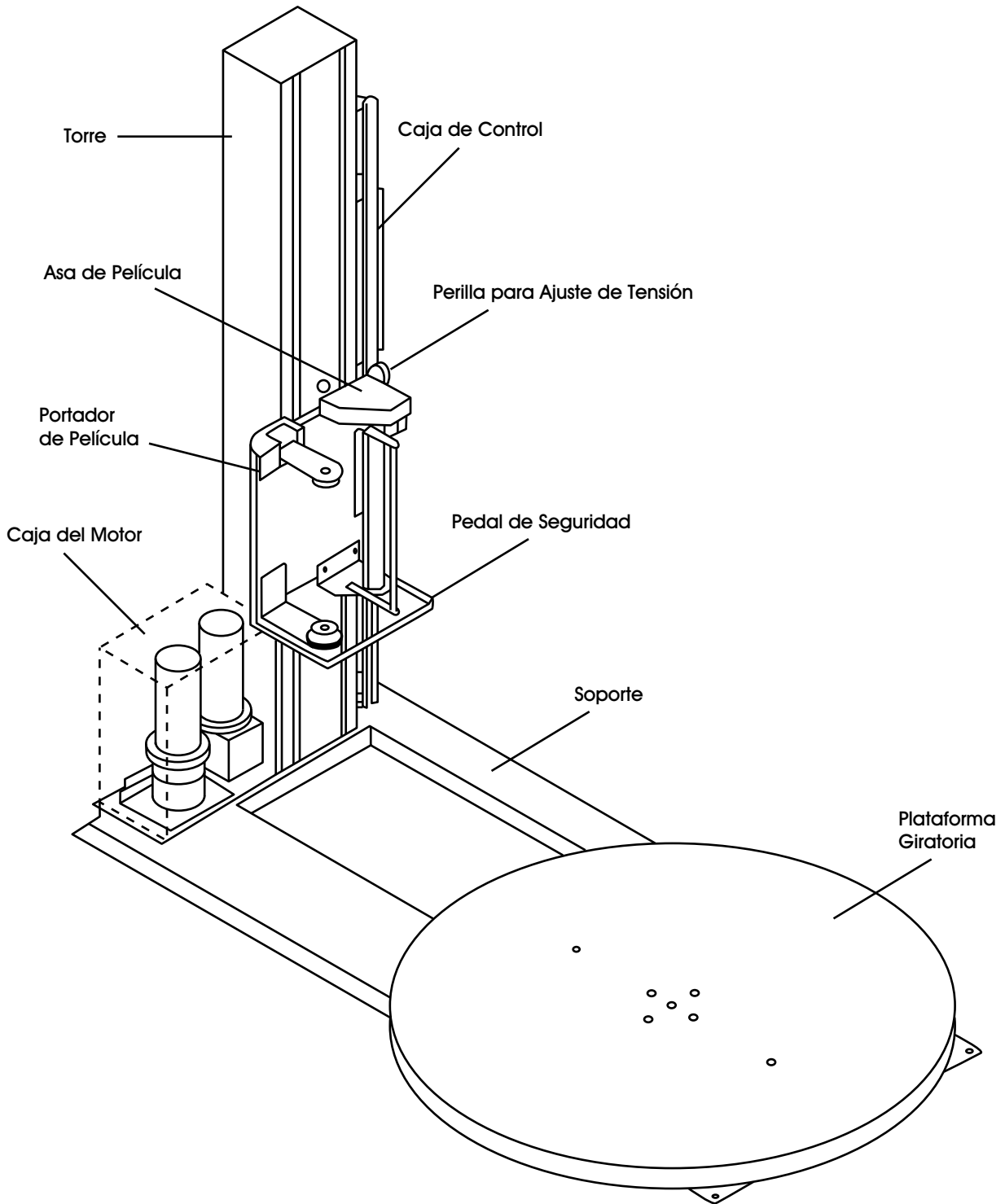
- Velocidades ajustables para elevación y descenso
- Sensor fotoeléctrico automático para detección de altura

SISTEMA PARA DESPACHAR LA PELÍCULA

- Ajuste de Película Infinito / Manual
- Capacidad del Rollo de 25 cm (10") de Diámetro
- Capacidad del Rollo de 50 cm (20") de Ancho

- El usuario es responsable del cumplimiento de todas las regulaciones relacionadas con la conexión a tierra. **NO** use extensiones eléctricas para operar el equipo.
- No conecte a salidas GFCI.
- Desconecte la alimentación de la corriente directa antes de revisar los componentes, dar mantenimiento, limpiar, y cuando la máquina no esté en uso. **NO** conecte o desconecte cables y conectores mientras se suministra energía al circuito.
- El cableado debe ser realizado sólo por personal calificado. Existe el peligro de choque eléctrico o incendio.

DESCRIPCIÓN DEL SISTEMA



CONFIGURACIÓN DEL SISTEMA

COLOCACIÓN DE LA MÁQUINA

Coloque la Máquina Automática para Película Elástica cerca del área en donde envolverá sus tarimas de carga. Asegúrese de que haya suficiente espacio para cargar/descargar la máquina y que no se estire el cable de conexión. Recuerde, necesita tener una salida para un tomacorriente de 120 VAC, 15-AMP.

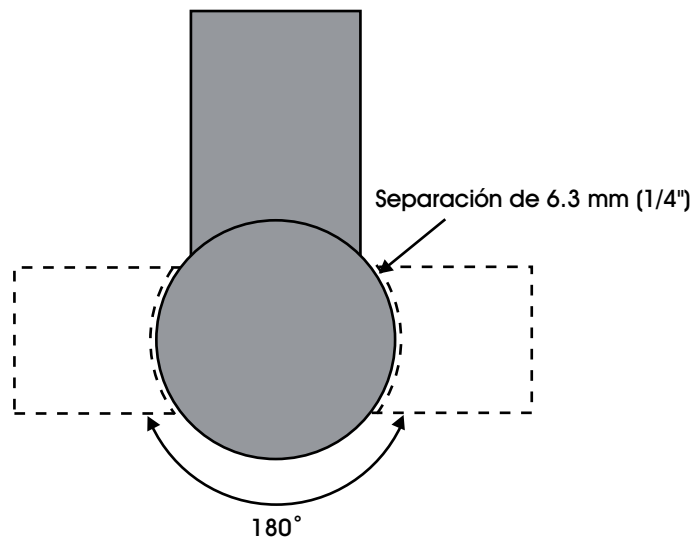
RESISTENCIA DEL PISO PARA SOSTENER EL PESO

El piso deberá tener la capacidad de sostener el peso de la máquina, la carga de mayor peso, además del factor de seguridad. El piso debe también resistir la presión del funcionamiento de la máquina. Si se manejarán montacargas en la misma área de soporte de peso, agregue el peso de los montacargas a los requerimientos para la resistencia del peso.

INSTALACIÓN DE LA MÁQUINA

1. Coloque la máquina entarimada cerca del área designada para envoltura. Retire todos los cinchos que fijan la máquina a la tarima. La máquina podría haberse empacado con la torre hacia abajo y sin la cubierta frontal del rodillo portador para propósitos de envío.
2. Inserte las horquillas del montacargas a través de los tubos ubicados en la base posterior del módulo, retire la máquina de las tarimas y colóquela en el área designada para envolver.
3. Si compra la rampa OPCIONAL (H-1071): Seleccione una posición para la rampa como se ilustra abajo. La rampa puede ser posicionada en cualquier lugar en una rotación de 180° alrededor del frente de la plataforma giratoria. Debe haber una separación de 6.3 mm (1/4") entre la plataforma giratoria y la rampa. La rampa deberá estar completamente apoyada en el piso. (Vea Diagrama 1)

Diagrama 1



INSTRUCCIONES DE ENSAMBLE

1. La Máquina Automática para Película Elástica llegará en una caja como la que se muestra a la derecha. Retire el empaque de protección y prepare la unidad para pararla. (Vea Diagrama 2)

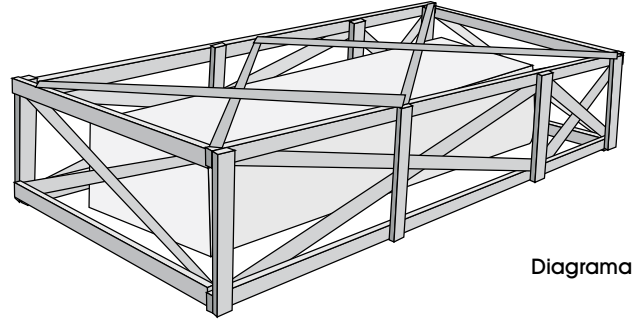


Diagrama 2

2. Una vez que la máquina ha sido desempacada, el próximo paso es comenzar a levantar la torre. Empiece apoyando la torre hasta que esté totalmente de pie. (Vea Diagrama 3)



PRECAUCIÓN: ¡Materiales Pesados! Se requieren dos o más personas para ensamblarla.

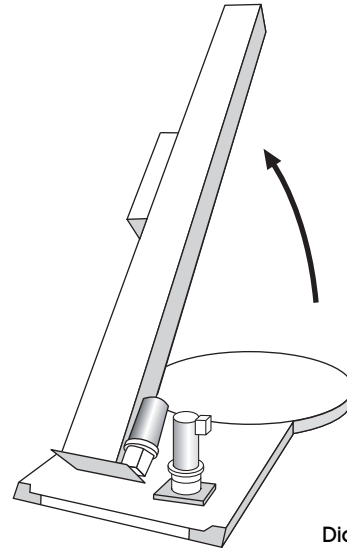


Diagrama 3

3. Alinee los 5 pernos en los insertos roscados y apriételos completamente. En seguida, el portador necesitará ser instalado en la torre. (Vea Diagrama 4)



PRECAUCIÓN: Siempre tenga una o dos personas más para sostener la torre mientras aprieta los pernos.

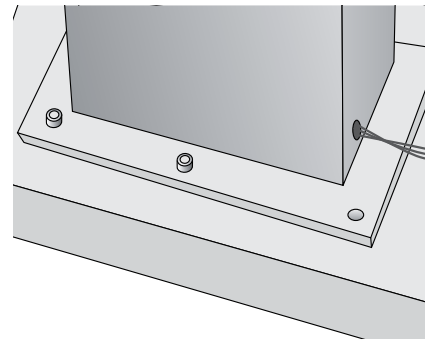


Diagrama 4

4. Para instalar el portador, empiece por retirar los 4 pernos inferiores del soporte de instalación del portador. (Vea Diagrama 5)

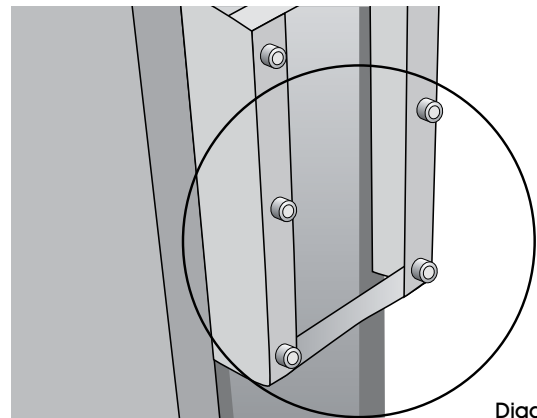


Diagrama 5

CONTINUACIÓN DE INSTRUCCIONES DE ENSAMBLE

5. Afloje los 2 pernos superiores para colgar el portador en su lugar. (Vea Diagrama 6)

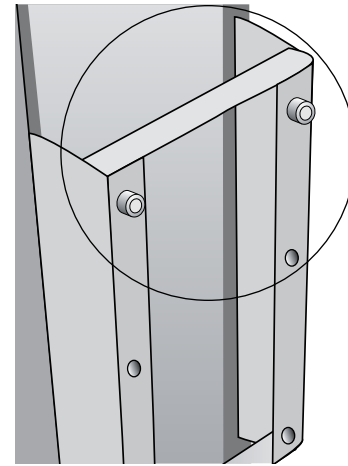


Diagrama 6

6. Alinee los dos pernos superiores con los dos orificios ranurados para pernos en la parte superior del portador y cuélguelo en su lugar. (Vea Diagrama 7)

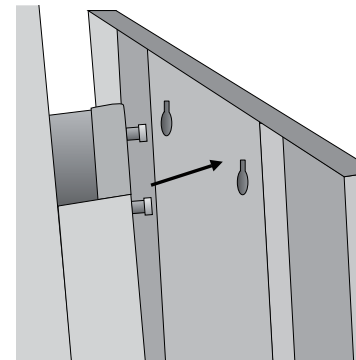


Diagrama 7

7. El siguiente paso es reinstalar el fotosensor de su posición protegida para envío. (Vea Diagrama 8)

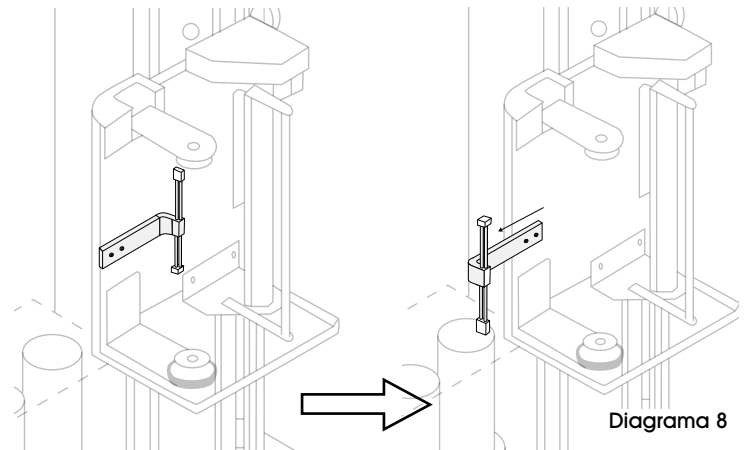


Diagrama 8

8. Apriete los 6 pernos en la parte posterior del portador. (Vea Diagrama 9)

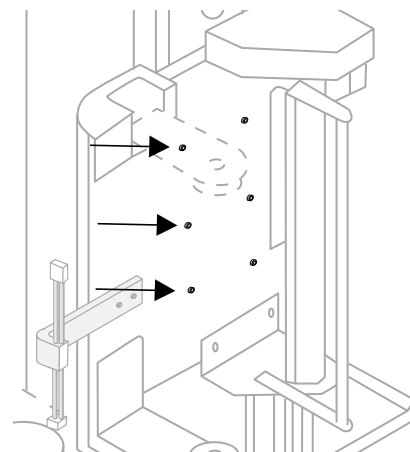


Diagrama 9

CAJA DE CONTROL



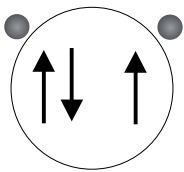
CONTINUACIÓN DE CAJA DE CONTROL



PANTALLA LED

- EO Posición de Apagado de Emergencia
- Sistema normal
- A Modo A Seleccionado
- B Modo B Seleccionado
- CO Continúe el funcionamiento presionando el botón START
- S El Sistema está en Manual

BOTONES

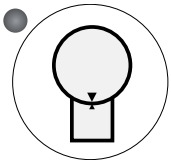


ENVOLTURA EN MODO A – ENVOLTURA POR ARRIBA Y ABAJO

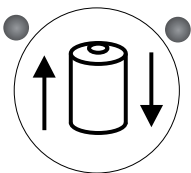
El LED de la parte izquierda superior del botón está encendido. En Modo A, la envoltura se aplica primero en la parte inferior, y después sigue la envoltura superior. El portador de la película baja a su posición de inicio después de terminar el ciclo de envoltura.

ENVOLTURA EN MODO B – ENVOLTURA POR ARRIBA SOLAMENTE

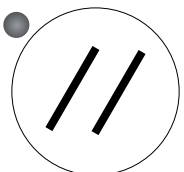
El LED en la parte izquierda superior está encendido. En Modo B, después de que la envoltura desde abajo hasta arriba está completa, el portador permanece en la parte superior. El botón START parpadea en este punto. Para reiniciar el funcionamiento, presione START. Cuando el portador llega a la parte inferior, el botón START se apaga. Presione el botón START de nuevo y empiece el nuevo ciclo.



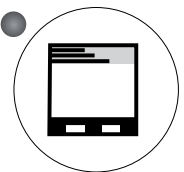
El botón TURNTABLE JOG le permite operar manualmente la plataforma giratoria. Cuando este botón es presionado, la luz en la parte izquierda superior del botón se enciende. Presione el botón START para poner a funcionar la plataforma. Al presionar de nuevo el botón detendrá la plataforma giratoria y la luz se apagará. Este botón puede utilizarse en conjunto con el botón de CARRIAGE JOG.



El botón CARRIAGE JOG permite operar manualmente el portador. Cuando este botón es presionado, una de las luces en la parte superior derecha del botón se enciende. La luz superior izquierda indica que el portador irá hacia arriba cuando el botón START sea presionado. Por el contrario, la luz superior derecha indica que el portador irá hacia abajo cuando el botón START sea presionado. Para pausar la función simplemente presione este botón de nuevo. Ambas luces indicadoras se apagarán. Este botón puede utilizarse en conjunto con el botón TURNTABLE JOG.

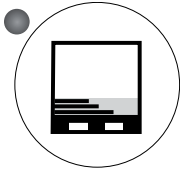


Presione este botón RESET, seguido por el botón START, para reiniciar el sistema. La plataforma giratoria regresará a su posición de inicio y el portador bajará.

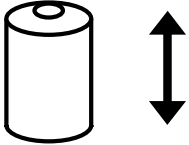


Presione el botón TOP WRAPS para seleccionar el número de envolturas deseadas en la parte superior (0-9).

CONTINUACIÓN DE CAJA DE CONTROL



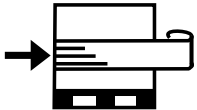
Presione el botón **BOTTOM WRAPS** para seleccionar el número de envolturas inferiores deseadas (0-9).



Gire la perilla de ajuste **CARRIAGE SPEED** en el sentido de las manecillas del reloj para aumentar la velocidad del portador, y en sentido contrario para disminuirla. Esto le permite ajustar la superposición de su película.



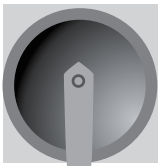
Gire la perilla de ajuste **TURNTABLE SPEED** en el sentido de las manecillas del reloj para aumentar la velocidad de la plataforma giratoria, y en sentido contrario para disminuirla.



El botón **BANDING** es utilizado para aplicar multicapas para reforzar la envoltura en modo automático o manual. Presione y sostenga este botón: el portador dejará de subir o bajar. Cuando lo libere, el portador reanudará su movimiento.



El botón **EMERGENCY STOP** detiene la plataforma giratoria en caso de emergencia. Esto **NO** detendrá la plataforma giratoria inmediatamente. La plataforma giratoria se detendrá por inercia, dependiendo del peso de la carga, después de que el botón sea presionado.



Este cambia el interruptor principal a Encendido o Apagado.



¡ADVERTENCIA! EI PEDAL DE SEGURIDAD, localizado debajo del portador de la película, trabaja sólo cuando la máquina está Encendida. Cuando la barra es activada, la corriente principal se apagará. Al liberar el pedal reactivará la corriente principal. Presione el botón **START** para reiniciar el funcionamiento.

FUNCIONAMIENTO DE LA MÁQUINA

CARGAR LA PELÍCULA



¡PRECAUCIÓN! Asegúrese de presionar el **BOTÓN DE EMERGENCIA** antes de cargar la película y liberarlo cuando la película esté cargada.

1. Coloque la película en el mandril de la película.
2. Mueva el Asa de Tensión a la posición OFF para liberar la tensión de la película.
3. Siga el Diagrama de Alimentación de la Película y cargue los 1.8 m (70") de película **TODO EL TRAYECTO** a través de los rodillos.
4. Mueva el Asa de Tensión a la posición OFF para liberar la tensión de la película.
5. Gire la Perilla de Ajuste de Tensión de Película en el sentido de las manecillas del reloj para aumentar la tensión de la película o en sentido opuesto para disminuirla.
6. Sujete la película a la tarima de manera segura. Haciendo un nudo en el extremo de la película a menudo ayuda a asegurarla a la tarima.

ARRANQUE NORMAL DEL SISTEMA

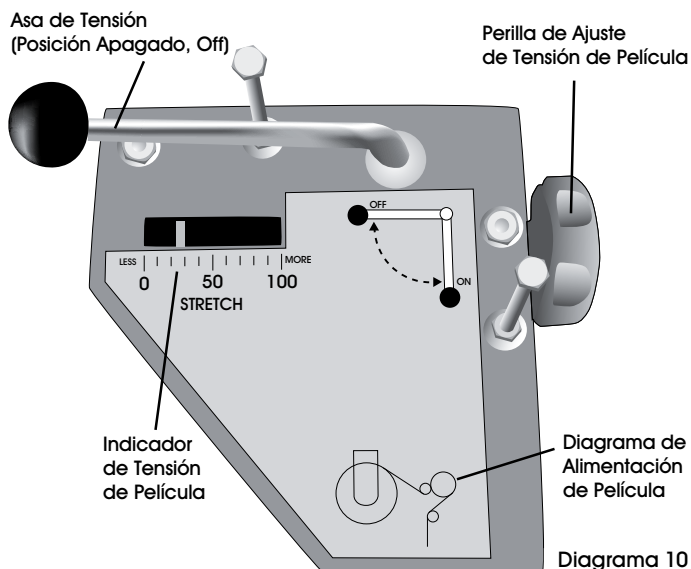
1. Coloque la película en el mandril de la película.
2. Mueva el Asa de la Película a la posición OFF para liberar la tensión de la película.
3. Coloque la película como se indica y sujétela en el producto.
4. Configure los números deseados para el conteo de envolturas superior e inferior.
5. Seleccione el modo de envoltura A o B.
6. Presione el botón de START para iniciar el ciclo.

CASO DE INTERRUPCIÓN

1. En caso de emergencia, presione el botón STOP. Esto cancela el ciclo de envoltura actual e inmediatamente detiene el sistema.
2. Corrija el problema.
3. Jale el botón STOP y siga el procedimiento de arranque normal del sistema.



NOTA: Después de presionar el botón STOP, espere por lo menos 60 segundos antes de jalar el botón de regreso. Esto permitirá que la tarjeta del microcontrolador se apague completamente.



APLICAR ENVOLTURAS DE REFUERZO

1. Presione el botón START de manera normal para iniciar el ciclo.
2. Mientras el portador se mueve hacia arriba, presione y sostenga el botón BANDING. El portador se detendrá y las envolturas de refuerzo serán aplicadas.
3. Liberando el botón BANDING se reanudará el ciclo.

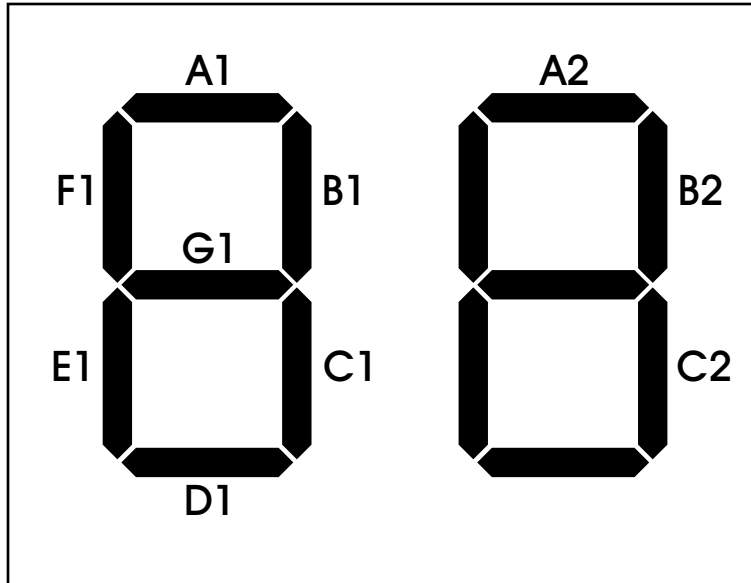
PROCEDIMIENTO DE AUTOPRUEBA

Un operador puede revisar el estado de la máquina corriendo la autopruueba. Si el procedimiento se lleva a cabo correctamente, la pantalla de INFO mostrará la ubicación del (los) problema(s).

Para correr la autopruueba, siga el siguiente procedimiento:

1. Gire las perillas de ajuste de la plataforma giratoria y el portador a la posición máxima (en sentido de las manecillas del reloj).
2. Coloque una carga en la plataforma giratoria (cerca de 1 m [36"]).
3. Mientras mantiene presionados los botones TURNTABLE JOG y CARRIAGE JOG, encienda el interruptor de desconexión principal.
4. Libere los botones después de que aparezca EE en la pantalla.
5. Presione el botón START. La máquina correrá la prueba, la cual toma aproximadamente 2 minutos.
6. La pantalla mostrará el código de alarma. Consulte la tabla de abajo para la información de códigos.

PANTALLA	POSIBLE UBICACIÓN DEL PROBLEMA(S)
A1	Barra de Seguridad del Portador de Película Botón EMERGENCY STOP Interruptor de seguridad de la caja eléctrica
B1	Interruptor de límite máximo superior del portador de película
C1	Interruptor de límite máximo inferior del portador de película
D1	Interruptor de conteo de plataforma giratoria/ cambio de proximidad
E1	Botón de presión BANDING
F1	Botón de presión START
G1	Fotosensor de altura del paquete
A2	Luz START
B2	Motor de la plataforma giratoria
C2	Motor del cargador



SOLUCIÓN DE PROBLEMAS



¡ADVERTENCIA! Asegúrese de que sólo personal calificado lleve a cabo la inspección, solución de problemas y reemplazo de partes.



¡PRECAUCIÓN! Desconecte la corriente, incluyendo el control externo de corriente que pudiera estar presente, antes de dar servicio a los controladores de frecuencia de dirección. **ESPERE** tres (3) minutos para que los capacitores del conector de CD se descarguen. La pantalla de los controladores de frecuencia de dirección y/o LEDs no son adecuados para indicar ausencia de voltaje del conector de CD.

PROBLEMA DE FUNCIONAMIENTO	CAUSAS	RECOMENDACIONES
La máquina no enciende.	La corriente principal está apagada.	Revise que la corriente llegue a la máquina. Verifique que el interruptor esté encendido.
	La máquina no está conectada a un enchufe de salida de 120VAC.	Verifique que el voltaje que llega a la máquina coincida con las etiquetas del suministro de corriente en el módulo de corriente.
	Falla del suministro de corriente.	
	La batería interna no está cargada.	
	El pedal del portador de película está obstruido.	Retire la obstrucción del pedal del Portador de Película.
Falla del portador de película.	La perilla de CARRIAGE SPEED de la película no se configuró a una altura suficiente.	Ajuste el potenciómetro al 100% para establecer la velocidad.
	La resistencia del potenciómetro no es igual a través de 5K.	Ajuste el cableado, reemplace la perilla si es necesario.
	El brazo nivelador del interruptor de límite del portador está obstruido.	Retire la obstrucción y/o limpie el cabezal del interruptor de límite.
	La tarjeta del microcontrolador dentro de la caja eléctrica no encendió.	Revise y encienda el interruptor de circuito principal.
Falla de la plataforma giratoria.	La velocidad de la perilla del potenciómetro de la plataforma giratoria no está lo suficientemente alta.	Ajustar el potenciómetro al 100% para establecer la velocidad.
	La resistencia del potenciómetro no es igual a través de 5K_.	Ajuste el cableado, reemplace la perilla si es necesario.
	La tarjeta del microcontrolador dentro de la caja eléctrica no encendió.	Revise y encienda el interruptor de circuito principal.
	El motor de la plataforma giratoria no está corriendo.	
		Revise la plataforma giratoria de limitaciones mecánicas.
		Reemplace el microcontrolador o el interruptor de salida de la plataforma giratoria.

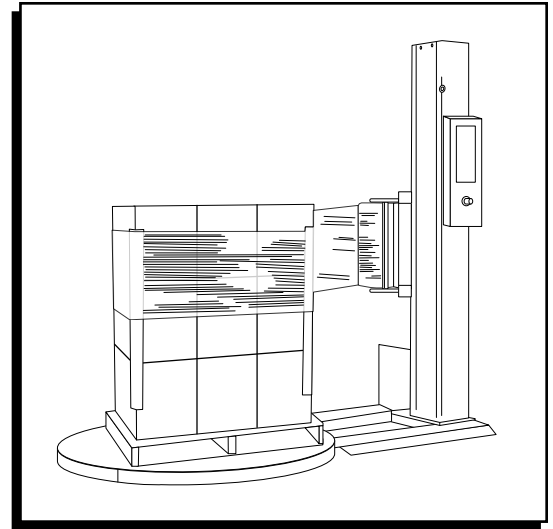
ULINE

1-800-295-5510
uline.ca

ULINE H-3701

DISTRIBUTEUR DE FILM ÉTIRABLE AUTOMATIQUE DE 110 PO (279 CM)

1-800-295-5510
uline.ca



SPÉCIFICATIONS DU SYSTÈME

DIMENSIONS DE LA MACHINE

Longueur	249 cm (98 po)
Largeur	152 cm (60 po)
Hauteur	333 cm (131 po)
Diamètre de la plaque tournante	152 cm (60 po)
Hauteur de la plaque du sol	8,3 cm (3 1/4 po)
Hauteur du banderolage	279 cm (110 po)
Espace de fonctionnement	251 x 152 x 328 cm (99 x 60 x 129 po)
Taille maximale de la charge	132 x 132 x 279 cm (52 x 52 x 110 po)
Poids d'expédition approximatif	567 kg (1 250 lb)

SPÉCIFICATIONS ÉLECTRIQUES

- 115 V c.a., 60 Hz, monophasé, 15 A

SYSTÈME DE LA PLAQUE TOURNANTE

- 20 charges par heure (spirale)
- Vitesse maximale de la plaque tournante : 12 tr/min
- Capacité de charge maximale de la plaque tournante : 1,8 T (4 000 lb)

CHARIOT PORTE-FILM/SYSTÈME D'ASCENSEUR

- Vitesses d'ascension et de descente réglables
- Détecteur à cellule photoélectrique de mesure de hauteur automatique

SYSTÈME DE DISTRIBUTION DE FILMS

- Réglage continu/manuel de l'allongement
- Capacité d'enroulement de 25 cm (10 po) de diamètre
- Capacité d'enroulement de 50 cm (20 po) de largeur



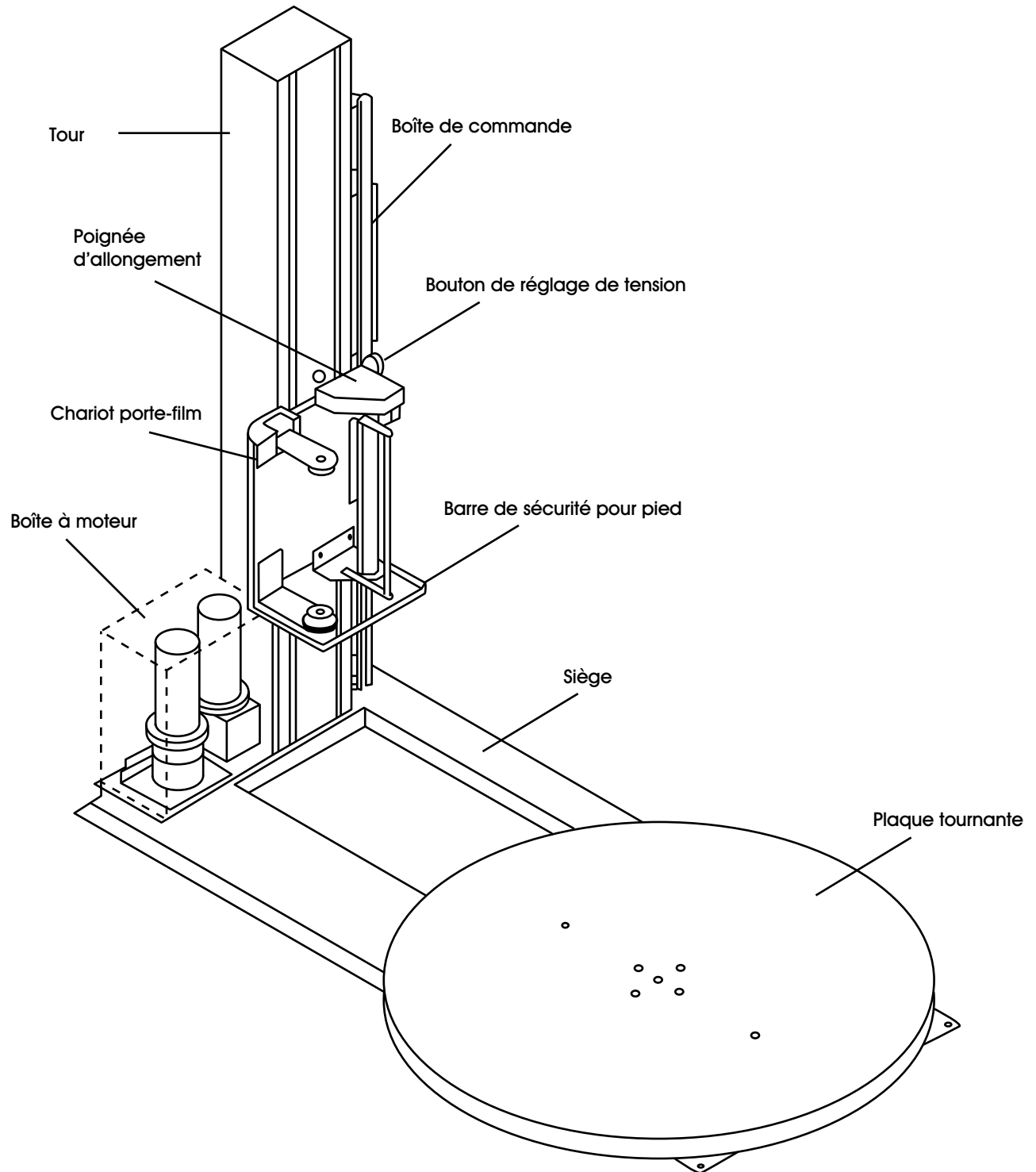
MISE EN GARDE! La commande des moteurs et les régulateurs électroniques sont branchés à des tensions dangereuses. Lors de l'entretien du disque et des régulateurs, des pièces accessibles avec boîtiers ou saillies peuvent se trouver au niveau ou au-dessus du potentiel d'une phase. Faites preuve d'extrême prudence afin d'assurer une protection contre les chocs.



AVERTISSEMENT! NE portez PAS de vêtements amples lorsque la machine est en marche. Tenez-vous à l'écart des pièces mobiles lorsque la machine est en marche.

- L'utilisateur est tenu responsable du respect de toutes les exigences applicables du code et des exigences de la mise à la terre. N'utilisez PAS de rallonges pour utiliser l'équipement.
- Ne branchez pas sur des prises GFCI.
- Coupez l'alimentation d'entrée en c.a. avant la vérification des pièces, toute opération d'entretien ou de nettoyage et lorsque la machine n'est pas en service. NE branchez ou débranchez PAS les câbles et les connecteurs tant que le circuit est sous tension.
- Seul un personnel qualifié peut effectuer les travaux de câblage. Il existe un risque d'électrocution ou d'incendie.

DESCRIPTION DU SYSTÈME



INSTALLATION DU SYSTÈME

EMPLACEMENT DE LA MACHINE

Placez la machine d'emballage sous film étirable automatique près d'une zone où vous allez emballer vos charges palettisées. Vérifiez qu'il y a suffisamment d'espace pour charger/décharger la machine et que vous n'étirez pas le câble. Vous devez fournir un service d'électricité à une prise de 120 V c.a., 15 A.

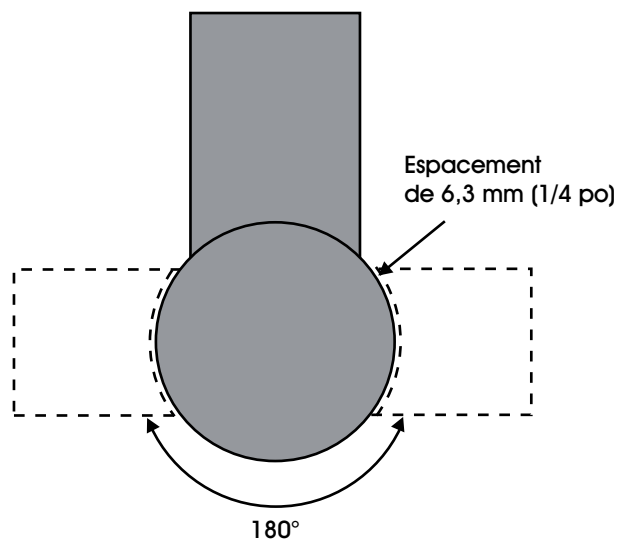
CAPACITÉ PORTANTE DU PLANCHER

Le plancher doit pouvoir supporter le poids de la machine, le poids de la charge maximale et un facteur de sécurité. Le plancher doit également être en mesure de tolérer la tension du fonctionnement de la machine. Si les chariots à fourche sont utilisés sur la même surface portante, ajoutez le poids des chariots aux exigences de tolérance de la capacité portante de la surface.

INSTALLATION DE LA MACHINE

1. Placez la machine sur palette près de la zone indiquée pour le banderolage. Enlevez toutes les attaches d'expédition qui maintiennent la machine sur la palette. Il se peut que la machine soit emballée en caisse, la tour inclinée vers le bas et le rouleau de transport avant, du couvercle du moteur, retiré pour faciliter l'expédition.
2. Placez les fourches du chariot élévateur dans les tubes fournis à la base arrière du module, retirez la machine de la palette et placez-la dans la zone indiquée pour le banderolage.
3. Si vous avez acheté la rampe FACULTATIVE (H-1071) : choisissez une position de la rampe tel qu'illustré ci-dessous. Vous pouvez placer la rampe partout, dans une rotation de 180° autour de l'avant de la plaque tournante. Vous devez laisser un espacement de 6,3 mm (1/4 po) entre la plaque et la rampe. La rampe doit être entièrement soutenue par le plancher. (Voir Figure 1)

Figure 1



INSTRUCTIONS DE MONTAGE

1. La machine d'emballage sous film étirable automatique est livrée avec une caisse similaire à celle illustrée à la droite. Veuillez enlever l'emballage de protection et préparer l'appareil à se dresser. (Voir Figure 2)

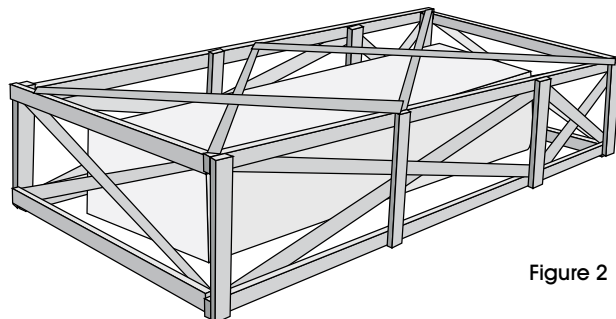


Figure 2

2. Lorsque la machine a bien été déballée, la prochaine étape consiste à commencer le montage de la tour. Commencez par lever la tour jusqu'à ce qu'elle soit complètement en position verticale. (Voir Figure 3)



 **MISE EN GARDE : Matériaux lourds! Le montage doit être effectué par au moins deux personnes.**

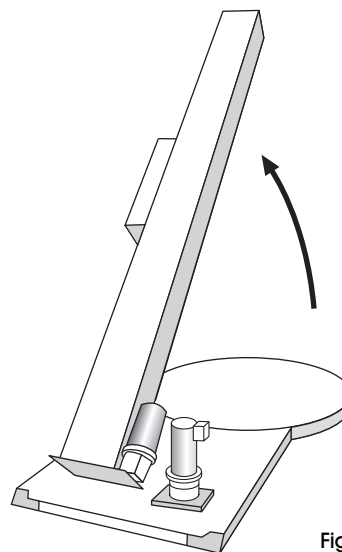



Figure 3

3. Alignez les cinq boulons sur les douilles filetées et serrez complètement. Le chariot doit être ensuite monté sur la tour. (Voir Figure 4)

 **MISE EN GARDE : Vous devez toujours travailler avec une personne ou plus pour soutenir la tour lorsque vous serrez les boulons.**

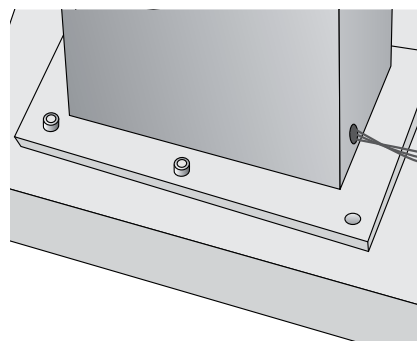


Figure 4

4. Pour le montage du chariot, commencez par enlever les quatre boulons inférieurs du support de montage du chariot. (Voir Figure 5)

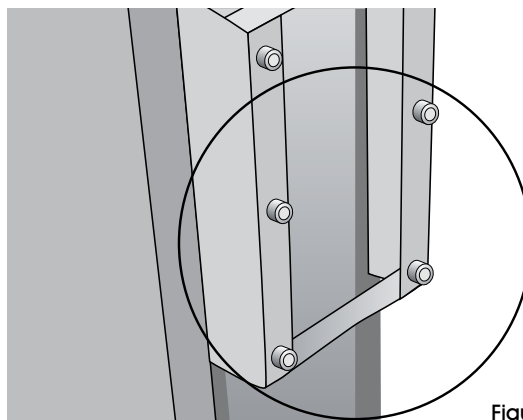


Figure 5

INSTRUCTIONS DE MONTAGE SUITE

5. Desserrez les deux boulons supérieurs pour accrocher le chariot en place. (Voir Figure 6)

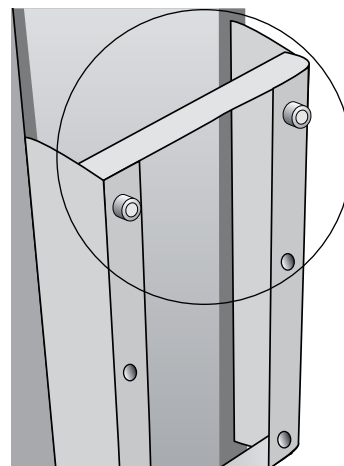


Figure 6

6. Alignez les deux boulons supérieurs avec les trous des boulons à encoches en haut du chariot et accrochez-le en place. (Voir Figure 7)

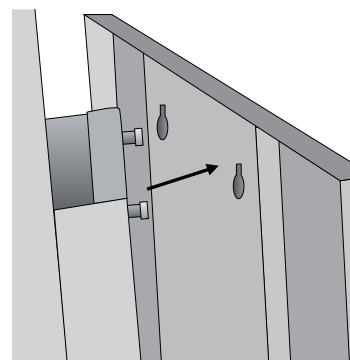


Figure 7

7. L'étape suivante consiste à remonter le détecteur optique de sa position d'expédition protégée. (Voir Figure 8)

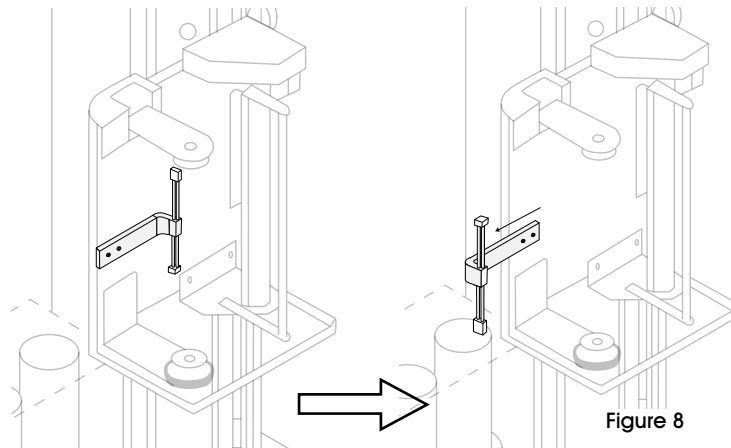


Figure 8

8. Serrez les six boulons à l'arrière du chariot. (Voir Figure 9)

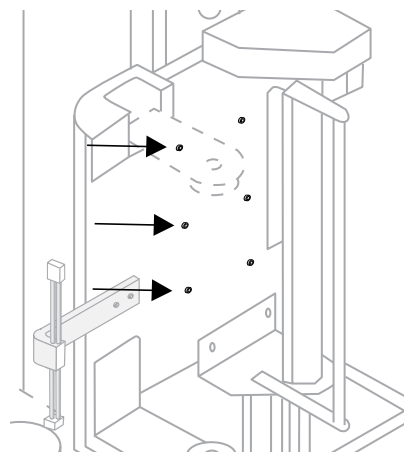


Figure 9

BOÎTE DE COMMANDE

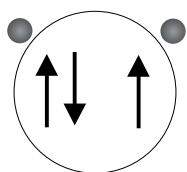




AFFICHAGE À DEL

- EO État d'arrêt d'urgence
- Le système est normal
- A Mode A sélectionné
- B Mode B sélectionné
- CO Poursuivre l'opération en appuyant sur le bouton START (DÉMARRER)
- S Le système est en manuel

BOUTONS

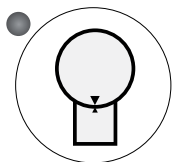


BANDEROLAGE MODE A - ENROULEMENT EN HAUT ET EN BAS

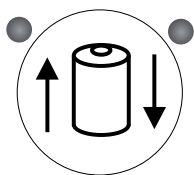
Le voyant DEL dans le coin supérieur gauche du bouton est allumé. En Mode A, l'emballage commence par la partie inférieure puis se poursuit par la partie supérieure. Le chariot porte-film revient à sa position initiale à la fin du cycle de banderolage.

BANDEROLAGE MODE B - ENROULEMENT EN HAUT UNIQUEMENT

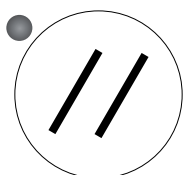
Le voyant DEL dans le coin supérieur gauche est allumé. En Mode B, à la fin du banderolage de la partie inférieure vers la partie supérieure, le chariot reste sur la partie supérieure. Le bouton START (DÉMARRER) clignote à ce stade. Pour reprendre l'utilisation, appuyez sur START (DÉMARRER). Lorsque le chariot atteint le bas, le bouton START (DÉMARRER) s'éteint. Appuyez de nouveau sur le bouton START (DÉMARRER) pour lancer un nouveau cycle.



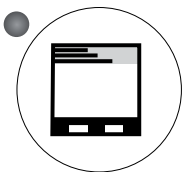
Le bouton TURNTABLE JOG (PLAQUE TOURNANTE MANUELLE) vous permet d'activer manuellement la plaque tournante. Lorsque vous appuyez sur ce bouton, le voyant dans le coin supérieur gauche du bouton s'allume. Appuyez sur le bouton START (DÉMARRER) pour activer la plaque. Si vous appuyez de nouveau sur le bouton, la plaque tournante s'arrête et le voyant s'éteint. Ce bouton peut être utilisé avec le bouton CARRIAGE JOG (CHARIOT MANUEL).



Le bouton CARRIAGE JOG (CHARIOT MANUEL) vous permet d'activer manuellement le chariot. Lorsque vous appuyez sur ce bouton, l'un des voyants dans le coin supérieur droit ou gauche du bouton s'allume. Le voyant dans le coin supérieur gauche indique que le chariot remonte lorsque vous appuyez sur le bouton START (DÉMARRER). Inversement, le voyant dans le coin supérieur droit indique que le chariot descend lorsque vous appuyez sur le bouton START (DÉMARRER). Pour suspendre l'opération, appuyez simplement de nouveau sur ce bouton. Les deux voyants s'éteignent. Ce bouton peut être utilisé avec le bouton TURNTABLE JOG (PLAQUE TOURNANTE MANUELLE).

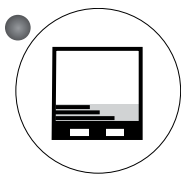


Appuyez sur ce bouton RESET (RÉINITIALISER), puis sur le bouton START (DÉMARRER), pour réinitialiser le système. La plaque tournante revient à sa position initiale et le chariot s'abaisse.

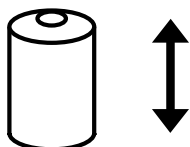


Appuyez sur le bouton TOP WRAPS (EMBALLAGES SUPÉRIEURS) pour sélectionner le nombre d'emballages supérieurs souhaité (0 à 9).

BOÎTE DE COMMANDE SUITE



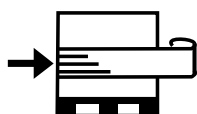
Appuyez sur le bouton **BOTTOM WRAPS (EMBALLAGES INFÉRIEURS)** pour sélectionner le nombre d'emballages inférieurs souhaité (0 à 9).



Tournez le bouton de réglage **CARRIAGE SPEED (VITESSE DU CHARIOT)** dans le sens horaire pour augmenter la vitesse du chariot et dans le sens antihoraire pour la diminuer. Cela vous permet de régler la superposition de votre film.



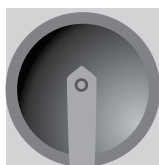
Tournez le bouton de réglage **TURNTABLE SPEED (VITESSE DE LA PLAQUE)** dans le sens horaire pour augmenter la vitesse de la plaque tournante et dans le sens antihoraire pour la diminuer.



Le bouton **BANDING (BANDEROLAGE)** est utilisé pour appliquer des emballages de renforcement multicouches en mode automatique ou manuel. Appuyez et maintenez ce bouton : le chariot ne remonte/descend plus. Lorsque le bouton est relâché, le chariot reprend ses mouvements.



Le bouton **EMERGENCY STOP (ARRÊT D'URGENCE)** arrête la plaque tournante en cas d'urgence. Cela N'arrête PAS la plaque tournante instantanément. La plaque tournante s'arrête en roue libre, selon le poids de la charge, lorsque vous appuyez sur ce bouton.



Cela **ALLUME** ou **ÉTEINT** l'alimentation principale.



AVERTISSEMENT! La **BARRE DE SÉCURITÉ POUR PIED**, située sous le chariot porte-film, fonctionne uniquement lorsque la machine est allumée. Lorsque la barre est activée, l'alimentation principale **S'ÉTEINT**. L'alimentation principale se réactive lorsque vous relâchez la barre. Pour reprendre l'utilisation, appuyez sur **START (DÉMARRER)**.

FONCTIONNEMENT DE LA MACHINE

CHARGEMENT DE FILM



MISE EN GARDE! Assurez-vous de bien appuyer le bouton **EMERGENCY STOP (ARRÊT D'URGENCE)** avant d'enrouler le film et de tirer sur ce bouton lorsque le film est enroulé.

1. Placez le film sur le mandrin de film.
2. Mettez la poignée d'allongement sur la position OFF (Arrêt) pour relâcher la tension du film.
3. Suivez le diagramme d'alimentation du film et enfiler l'extrémité du film de 183 cm (70 po) **COMPLÈTEMENT** à travers les rouleaux.
4. Mettez la poignée d'allongement sur la position OFF (Arrêt) pour relâcher la tension du film.
5. Tournez le bouton de réglage de la tension d'allongement dans le sens horaire pour augmenter la tension du film et dans le sens antihoraire pour la diminuer.
6. Fixez solidement le film sur la palette. Si vous formez un nœud avec l'extrémité du film, cela permet d'attacher le film à la palette.

DÉMARRAGE NORMAL DU SYSTÈME

1. Placez le film sur le mandrin de film.
2. Mettez la poignée d'allongement sur la position OFF (Arrêt) pour relâcher la tension du film.
3. Enroulez le film selon les instructions et attachez-le au produit.
4. Déterminez le nombre souhaité d'emballages supérieurs et inférieurs.
5. Sélectionnez le mode de banderolage A ou B.
6. Appuyez sur le bouton **START (DÉMARRER)** pour lancer le cycle.

ÉTAT D'ARRÊT

1. En cas d'urgence, appuyez sur le bouton **STOP (ARRÊTER)**. Cela annule le cycle de banderolage en cours et arrête immédiatement le système. La plaque tournante s'arrête en roue libre.
2. Corrigez le problème
3. Tirez sur le bouton **STOP (ARRÊTER)** et effectuez la procédure de démarrage normal du système.



REMARQUE: Après avoir appuyé sur le bouton **STOP (ARRÊTER)**, attendez au moins 60 secondes avant de tirer sur ce même bouton. Cela permet de désactiver complètement la carte à microcontrôleur.

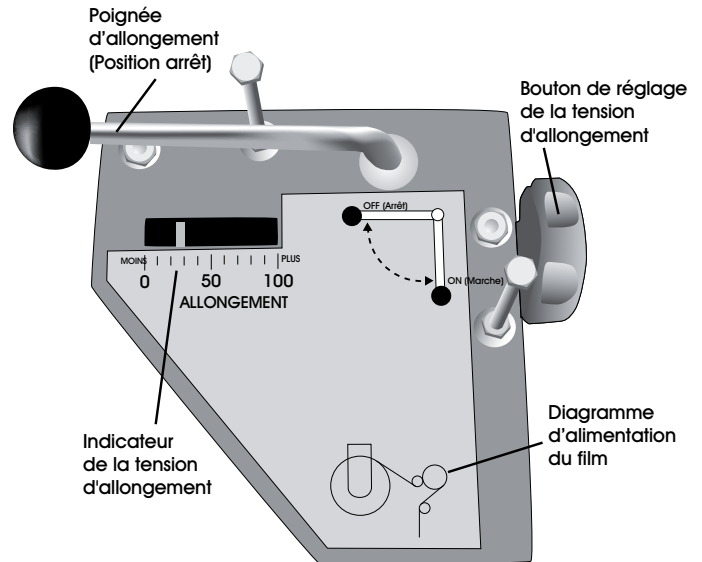


Figure 10

APPLICATION DES EMBALLAGES DE RENFORCEMENT

1. Appuyez comme d'habitude sur le bouton **START (DÉMARRER)** pour lancer le cycle.
2. À mesure que le chariot monte, maintenez appuyé le bouton **BANDING (BANDEROLAGE)**. Le chariot s'arrête et les emballages de renforcement seront appliqués.
3. Le cycle reprend si vous relâchez le bouton **BANDING (BANDEROLAGE)**.

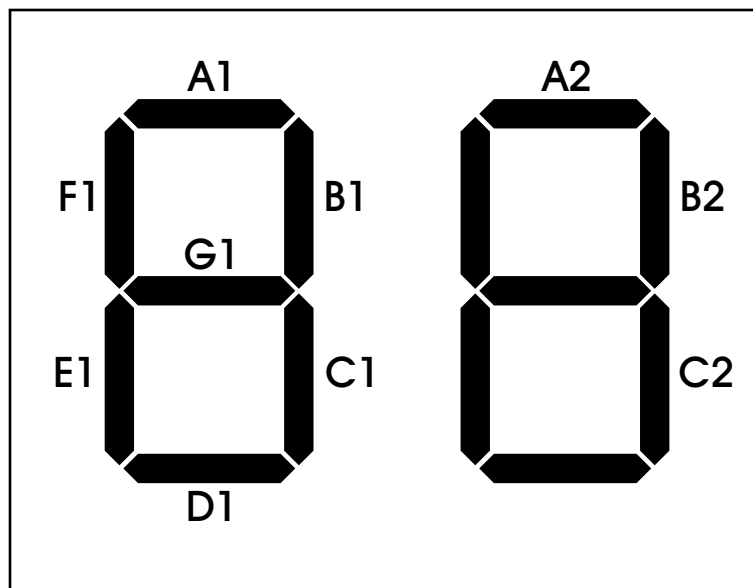
PROCÉDURE D'AUTO-TEST

Un opérateur peut vérifier l'état de la machine en exécutant un auto-test. Si la procédure est effectuée correctement, l'écran INFO indique l'emplacement du ou des problèmes.

Pour exécuter l'auto-test, suivez la procédure suivante :

1. Tournez les boutons de réglage de vitesse de la plaque tournante et du chariot à la position maximale (dans le sens horaire).
2. Mettez une charge sur la plaque tournante (environ 1 m [36 po] de haut).
3. Allumez le sectionneur principal tout en maintenant appuyés les boutons TURNTABLE JOG (PLAQUE TOURNANTE MANUELLE) et CARRIAGE JOG (CHARIOT MANUEL).
4. Relâchez les boutons lorsque l'écran affiche EE.
5. Appuyez sur le bouton START (DÉMARRER). La machine effectue le test qui dure environ 2 minutes.
6. L'écran affiche le code d'alarme. Reportez-vous au tableau ci-dessous pour obtenir des renseignements sur le code.

AFFICHAGE	EMPLACEMENTS SUSPECTS
A1	Barre de sécurité du chariot porte-film Bouton EMERGENCY STOP (ARRÊT D'URGENCE) Interrupteur de sécurité du boîtier électrique
B1	Interrupteur de fin de course maximal supérieur du boîtier électrique
C1	Interrupteur de fin de course maximal inférieur du boîtier électrique
D1	Compteur de la plaque tournante/Détecteur de proximité principal
E1	Bouton-poussoir BANDING (BANDEROLAGE)
F1	Bouton-poussoir START (DÉMARRER)
G1	Détecteur optique de la hauteur du paquet
A2	Voyant START (DÉMARRER)
B2	Moteur de la plaque tournante
C2	Moteur du chariot



DÉPANNAGE



AVERTISSEMENT! Veillez à ce que seul un personnel qualifié effectue les inspections, le dépannage et le remplacement des pièces.



MISE EN GARDE! Coupez toutes les alimentations, dont celle de la commande externe qui peut être présente, avant toute opération d'entretien des variateurs de fréquence. **ATTENDEZ trois (3) minutes** que les condensateurs du bus c.c. se déchargent. L'affichage du variateur de fréquence et/ou les voyants à DEL ne constituent pas des indicateurs précis de l'absence de tension du bus c.c.

PROBLÈME DE FONCTIONNEMENT	CAUSES	RECOMMANDATIONS
La machine ne s'allume pas.	L'alimentation électrique principale est coupée.	Vérifiez que la machine est alimentée en électricité. Vérifiez que l'interrupteur est en position de marche.
	La machine n'est pas branchée à une prise de 120 V c.a.	Vérifiez que la tension en direction de la machine correspond aux étiquettes d'alimentation électrique apposées au module d'alimentation.
	L'alimentation électrique est défectueuse.	
	La batterie interne n'est pas chargée.	
	Le pied du chariot porte-film est engagé.	Enlevez l'obstruction du pied du chariot porte-film.
Le chariot porte-film est défectueux.	Le bouton FILM CARRIAGE SPEED (VITESSE DU CHARIOT PORTE-FILM) n'est pas réglé à un niveau suffisant.	Réglez le potentiomètre vers 100 % pour définir la vitesse.
	La résistance du potentiomètre ne correspond pas à 5K_ partout.	Serrez le câblage, remplacez le cadran au besoin.
	Le bras de levier de l'interrupteur de fin de course du chariot est obstrué.	Enlevez l'obstruction et/ou nettoyez la tête de l'interrupteur de fin de course.
	La carte à microcontrôleur à l'intérieur du boîtier électrique n'est pas activée.	Vérifiez et allumez le disjoncteur principal.
La plaque tournante est défectueuse.	Le bouton du potentiomètre de vitesse de la plaque tournante n'est pas réglé à un niveau suffisant.	Réglez le potentiomètre vers 100 % pour définir la vitesse.
	La résistance du potentiomètre ne correspond pas à 5K_ partout.	Serrez le câblage, remplacez le cadran au besoin.
	La carte à microcontrôleur à l'intérieur du boîtier électrique n'est pas activée.	Vérifiez et allumez le disjoncteur principal.
	Le moteur de la plaque tournante ne fonctionne pas.	
Vérifiez les contraintes mécaniques de la plaque tournante.		
Remplacez le microcontrôleur ou le relais de sortie de la plaque tournante.		

ULINE

1-800-295-5510
uline.ca