
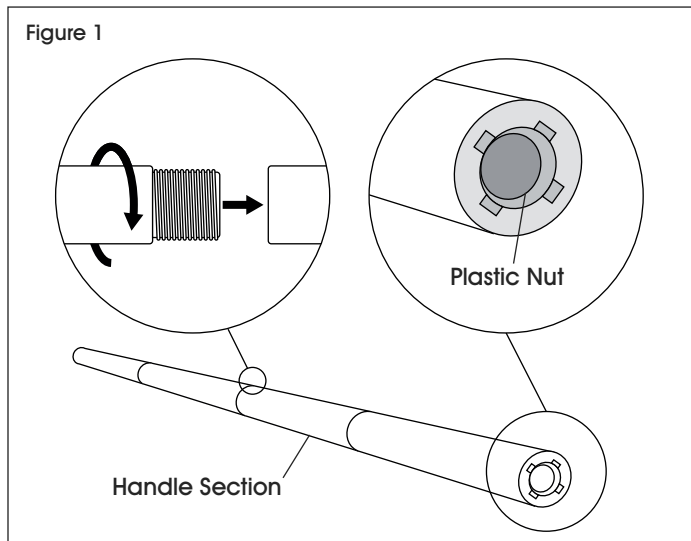


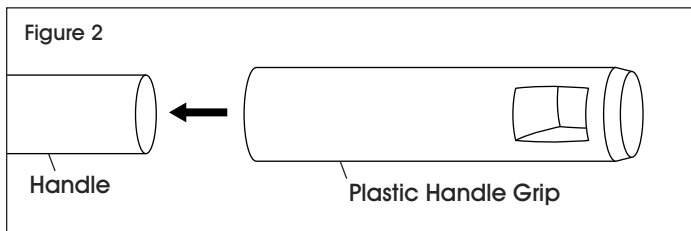
## ASSEMBLY

1. Twist all handle sections together until they fit tightly into one another and no longer turn. (See Figure 1)

 **NOTE:** Ensure handle section with plastic nut is at the bottom of the assembled handle. (See Figure 1)

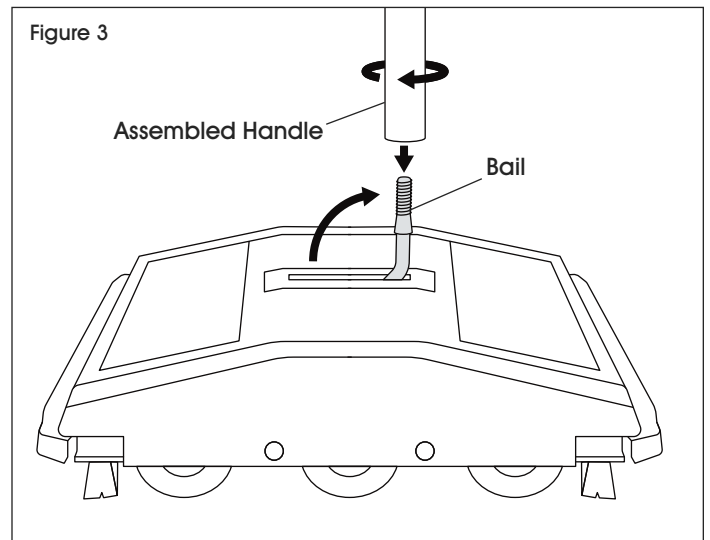


2. Firmly slide plastic handle grip to the top of the handle. Twist until tight. (See Figure 2)



3. Lift the bail (threaded metal bar on the top of the sweeper) to a vertical position. (See Figure 3)
4. Screw the assembled handle down to the shoulder of the threaded metal bail. Twist until tight. (See Figure 3)

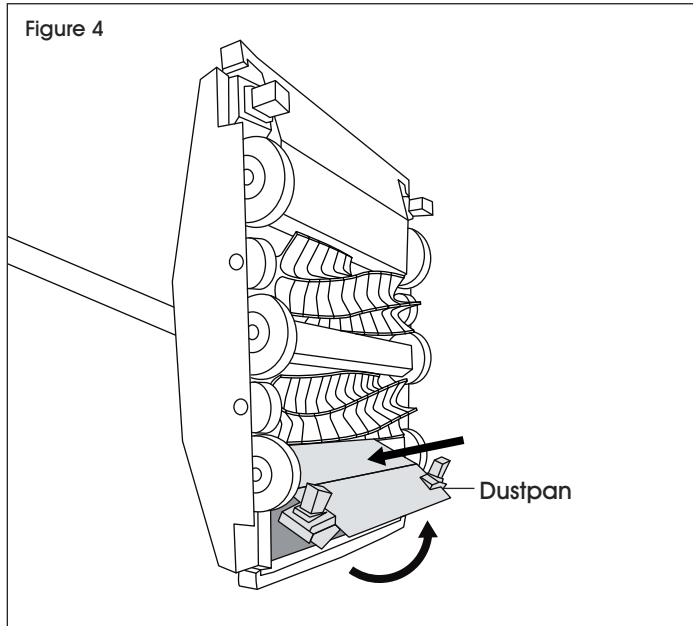
 **NOTE:** Failure to properly tighten handle onto metal bail could cause the bail to break.



# MAINTENANCE

## EMPTY DUSTPAN

Hold sweeper over wastebasket and press gently on bottom of dustpan. Pan will open and debris will fall out. Repeat for dustpan on other side. (See Figure 4)

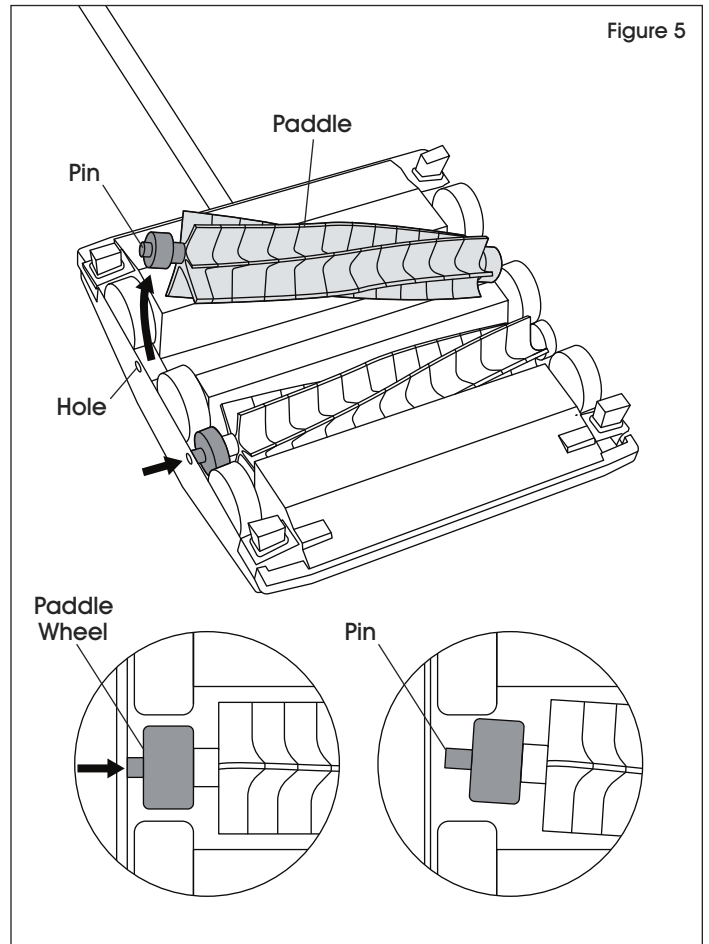


## CLEANING

Paddles can be removed and washed with warm, soapy water or washed in a dishwasher. Thoroughly dry paddles before reinserting.

**To remove paddles:** Push one end of paddle wheel inward toward the center until pin exits hole. Lift paddle wheel to remove. (See Figure 5)

**To reinsert paddles:** Insert pin into hole on one end. Push inward until opposite pin can be inserted. (See Figure 5)



**ULINE**

1-800-295-5510  
uline.com