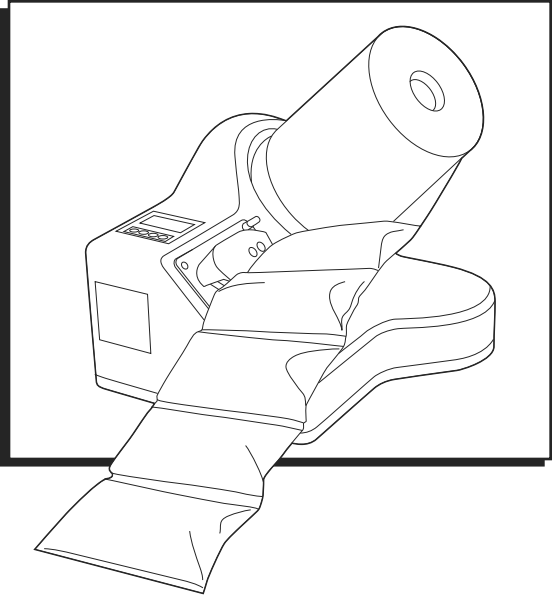


# ULINE H-7242 AIR CUSHION MACHINE

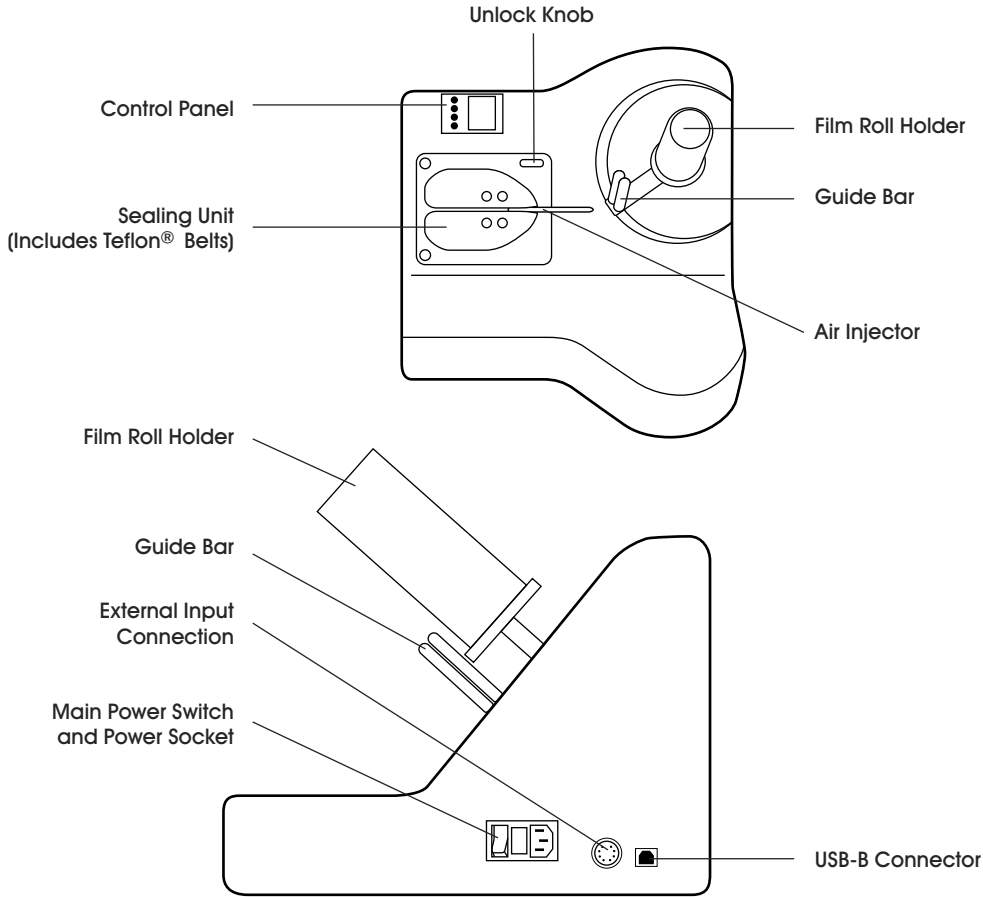
1-800-295-5510  
uline.ca

### BOX CONTENTS

- Air Cushion Machine
- Film Roll Holder
- Spacing Gauge
- Maintenance Kit
- Power Cord
- User Manual



## PARTS



**WARNING!** Please read and understand instructions fully before operating the Uline Air Cushion machine.



**WARNING!** To guarantee personal safety, the following instructions must be carefully observed.

# SAFETY

## WORK AREA

- Keep the work area clean and well lit.
- Place the machine on a flat, dry surface.
- Do not operate machine in explosive atmospheres, such as in the presence of flammable liquids, gases or dust. Do not place flammable materials in, on or around the machine.

## ELECTRICAL SAFETY

- The power plug must match the outlet and the outlet must be appropriately grounded. Do not modify the plug in any way. Do not use adapter plugs or extension cords.
- Do not expose the machine to wet conditions.
- For installation and maintenance work, the machine must always be turned off by the main switch and be disconnected from the main power connection.
- All safety, protective measures and facilities must be applied and maintained in accordance with IEC instructions.

## PERSONAL SAFETY

- Prevent accidental starting. Ensure the switch is in the off position before plugging in.
- There is an extremely sharp knife blade under the air injector assembly. Strictly adhere to the blade replacement instructions on page 8.
- The film is sealed by using a heated wire that is located under a Teflon® belt. This wire gets very hot and may cause burns if touched. Switch the machine off and allow the wire 2-3 minutes to cool before performing any operation exposing the wire. Follow provided instructions, page 7, for replacement of Teflon® belts.

## USE AND CARE

- Switch machine off and disconnect the plug from the power source before performing any operation to the machine. This includes replacing film, cleaning or maintenance.
- The machine requires periodic cleaning. Check for misalignment or binding of moving parts, broken parts and any other condition that may affect the operation. Do not operate a damaged machine.
- This system was designed for processing a specific film type. In order to guarantee smooth function, only replace with Uline Air Cushion Machine film.
- In emergency situations, turn the power switch off. The machine will be switched off within a few seconds (when indicator is turned off completely). After eliminating the emergency situation or fault, the machine can be switched on again according to the user manual.

## STORAGE





Store device only under the following conditions:

- Outdoor storage is prohibited.
- The device must only be stored in dry rooms.
- Keep dry and dust-free.
- Protect from massive heat, like radiators.

## TECHNICAL SPECIFICATIONS

|                                   |                                       |
|-----------------------------------|---------------------------------------|
| Voltage                           | 95 – 250 VAC; 50/60 Hz                |
| Power Consumption (max.)          | 97 W                                  |
| Power Consumption                 | 76 W                                  |
| Power Consumption (stand-by mode) | 6.2 W                                 |
| Recommended Main Fuse             | 3.15 AMP                              |
| Dimensions                        | 14 $\frac{2}{3}$ x 14 $\frac{1}{3}$ " |
| Height                            | 13"                                   |
| Transport Speed                   | ~33 LFM                               |
| Weight                            | 15.65 lbs.                            |
| Sound Pressure Level              | 52 db                                 |

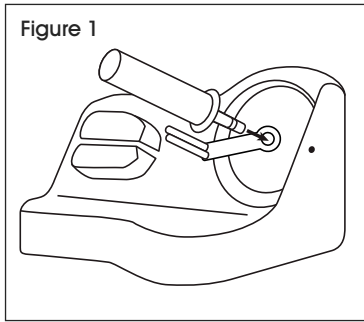
## KEYPAD FUNCTIONS

|   |                   |   |
|---|-------------------|---|
|  | Start/Stop Button | <ul style="list-style-type: none"> <li>• Starts or stops the machine</li> </ul>                               |
|  | Arrow up          | <ul style="list-style-type: none"> <li>• Increases the value</li> <li>• Scrolls up</li> </ul>                 |
|  | Arrow down        | <ul style="list-style-type: none"> <li>• Decreases the value</li> <li>• Scrolls down</li> </ul>               |
|  | Enter Button      | <ul style="list-style-type: none"> <li>• Confirms</li> <li>• Enter menu</li> <li>• Enter menu item</li> </ul> |

# SETTING UP THE DEVICE

## ASSEMBLY OF THE FILM ROLL HOLDER

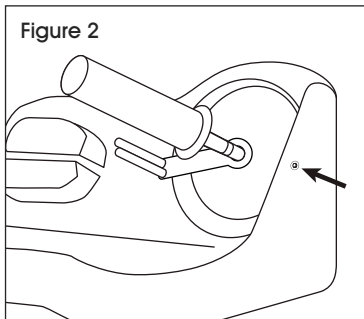
1. Remove the machine and the blue film roll shaft from the box. Insert the metal part into hole on the front side of the machine. (See Figure 1)




Uline Air Cushion Machine films are available in three different options:

| DESCRIPTION | ULINE PART NO. | CUSHION SIZE  | SPACING GUIDE |
|-------------|----------------|---------------|---------------|
| Air Pillows | S-22467        | 8 x 4"        | 11/16"        |
| Air Cushion | S-22468        | 1¼ x 9 x 13"  | 1/2"          |
| Bubble Film | S-22469        | 3/4 x 6 x 13" | 1/2"          |

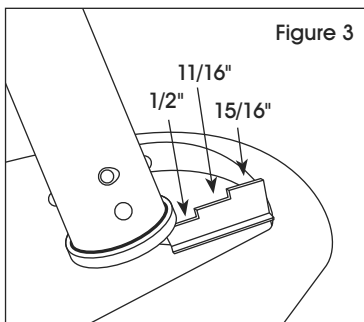
2. Adjust the film roll holder to fit desired film type by loosening the screw on the right side of the machine with included Allen wrench. Gently tighten screw to secure. (See Figure 2)



 **NOTE:** Screw on right side of machine is set into machine housing. It should be loosened and tightened to adjust film roll holder and does not need to be removed for this process.

3. Using the included spacing gauge can help find the right setting for each film type. (See Figure 3)

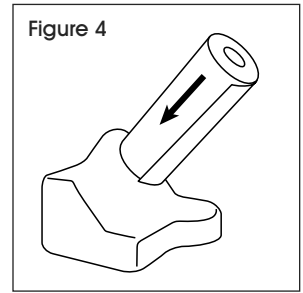
- Air Pillows = 11/16"
- Air Cushion = 1/2"
- Bubble Film = 1/2"



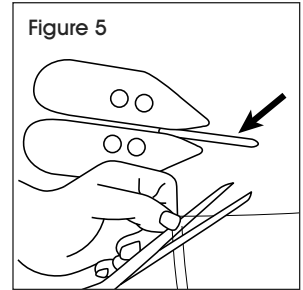
4. Tighten screw to secure film roll holder.

## LOADING A FILM ROLL

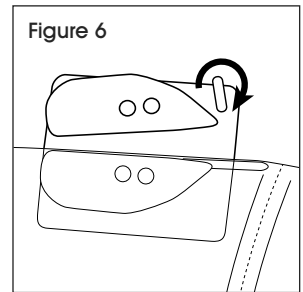
1. Slide the film roll onto the film roll holder. Ensure that the film is oriented to unwind from the underside of the roll. (See Figure 4)



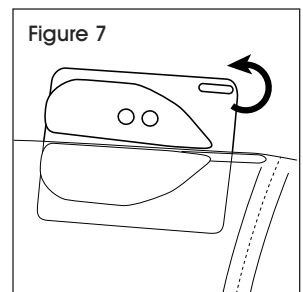
2. There is a gap between the edge of the film and the perforations. Cut a little corner off the film gap. (See Figure 5)



3. Turn the unlock knob clockwise to unlock the top sealing unit. Slide the film between the guide bars and thread the gap on the film through the black nozzle and between the sealing units. Ensure the film cuts on the blade, and advance the film all the way through the sealing units. (See Figure 6)



4. Turn unlock knob counterclockwise to lock the top sealing unit. Always make sure that the knob is locked before operating the machine. (See Figure 7)



# SETTING UP THE DEVICE CONTINUED


## POWER SWITCH AND CONNECTIONS

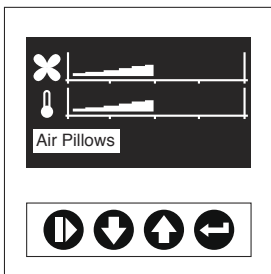
After checking the power supply, the system can be switched on. The main switch is on position "I."

## SELECTING INITIAL FILM TYPE

There are three different film types available for selection when turning on the machine.



Select air pillows, bubble or cushion film options by pressing  six times until film type shows up.



Press  or  to change the film type.

| DESCRIPTION | ULINE PART NO. | CUSHION SIZE  | SPACING GUIDE |
|-------------|----------------|---------------|---------------|
| Air Pillows | S-22467        | 8 x 4"        | 11/16"        |
| Air Cushion | S-22468        | 1¼ x 9 x 13"  | 1/2"          |
| Bubble Film | S-22469        | 3/4 x 6 x 13" | 1/2"          |


## START FILM PRODUCTION

Once a menu is selected with its pre-set parameters the machine is ready to operate. Every menu follows the same steps:



Machine is ready to start Air Pillows film production.



Press  to start Air Pillows film production.



Press  again to stop Air Pillows production.

## HOW TO ADJUST AIR SETTINGS

The chosen film type menus automatically run on the correct air and temperature settings. You do not need to adjust machine setting manually, but if the automatic settings are not optimal, the keypad allows you to change the following settings:

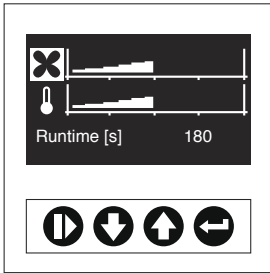


Display Air Pillows

Ready to start

Press 1 x  for air settings.

# SETTING UP THE DEVICE CONTINUED



## Display air settings

Amount of air is now adjustable.

Press to decrease air.

Press to increase air.



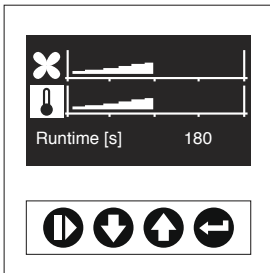
Even while the machine is running, press to change air settings by using or . While the machine is running, the runtime sign will not show up.

## HOW TO ADJUST SEALING TEMPERATURES



## Display Air Pillows

Press 2 x for temperature settings.



## Display temperature settings

Press to decrease temperature.

Press to increase temperature.



Even while the machine is running, press to change temperature settings by using or . While the machine is running, the runtime sign will not show up.

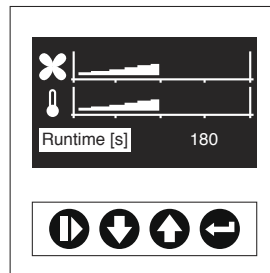
## HOW TO ADJUST RUNTIME

To produce a desired amount of air pillows, a specific runtime can be set. Runtime is indicated in seconds, and its factory setting is 180 seconds. The set runtime will run down to zero and production will stop.



## Display Air Pillows

Press 3 x to get the runtime menu.



## Change runtime settings

Minimum setting is 1 second.

Maximum setting is 2,400 seconds.

Press to decrease runtime.

Press to increase runtime.



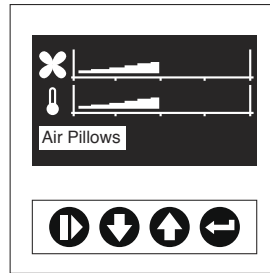
## HOW TO CHANGE FILM TYPE

Changing the menu to a new film type when loading a different kind of film.



## Display Air Pillows

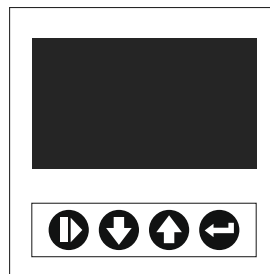
Press 6 x until film type shows up.



Press or to change the film type.

## FACTORY SETTINGS

The machine setting enables resetting all choices, parameters, adjustments and changes back to the factory settings.

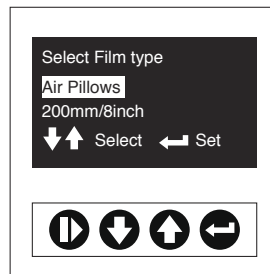


## Machine off

Power switch [O] display off

Press and hold while switching on the machine.

Release the buttons + when the display runs.



## Power switch on

Power switch on [I]

All settings have been reset, proceed with "Selecting Initial Film Type" again to choose a film type.

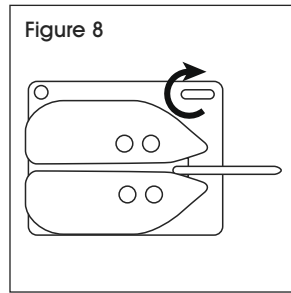


# MAINTENANCE

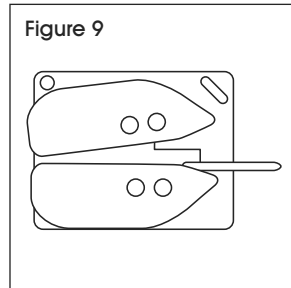
## REPLACING THE BLADE

Make sure to disconnect from the power supply.

1. Turn the locking knob clockwise to unlock the top sealing unit. (See Figure 8)



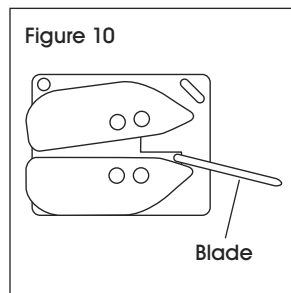
2. Open the top sealing unit. (See Figure 9)



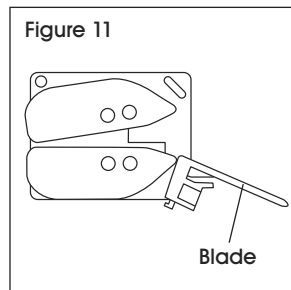
3. Pull the blade to the right side. (See Figure 10)



**CAUTION! Sharp blade.**



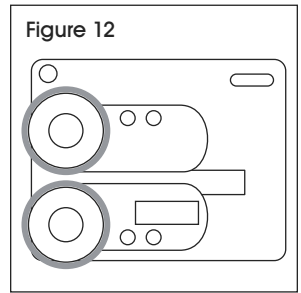
4. Take the blade out of the machine and insert a new one. (See Figure 11)



5. Turn the locking knob counterclockwise to re-lock the top sealing unit.

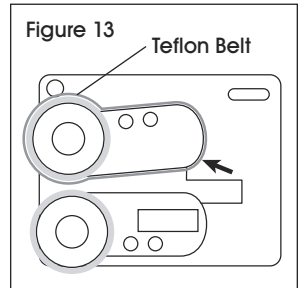
## CHANGING THE BELTS

1. Remove the blue covers on both the top and bottom sealing units using included Allen key. Ensure the top sealing unit is unlocked. (See Figure 12)



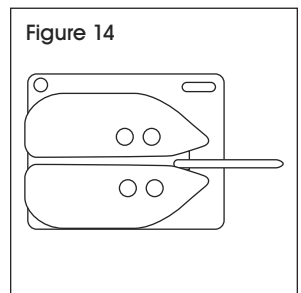
2. Push the top sealing unit to the left.


3. Remove the Teflon® belt while applying upward pressure to the top sealing unit and replace with a new Teflon® belt. (See Figure 13)



4. Repeat steps 2 and 3 with the bottom sealing unit.

5. Reattach the blue covers using the included Allen key and turn the locking knob counterclockwise to lock the top sealing unit. (See Figure 14)



 **NOTE: Visit [uline.com](http://uline.com) to order replacement injector blades (H-7241-INJCT) and teflon belts (H-7241-TBELT).**

# ERROR CODES

## ERROR 20

Calibration out of range  
Calibrate seal wire  
Turn off and on



Calibration out of range.

Calibrate seal wire.

Turn off and on.

Call Uline Customer Service at  
1-800-295-5510.

## ERROR 30

Seal jaw is not closed  
Close jaw  
Press start to release



Seal jaw is not closed.

Only possible if a micro switch is  
mounted.

Close jaw.

Press start to release.

## ERROR 21

Seal wire  
Check connection  
Turn off and on



Seal wire.

Check connection.

Turn off and on.

## ERROR 31

Transport failure  
Check film transport  
Press start to release



Transport failure.

Check film transport.

Press start to release.

Remove and reload film from  
seal jaw/injector blade.

## ERROR 22

Temperature not reached  
Check seal system  
Turn off and on



Temperature not reached.

Check seal system.

Turn off and on.

## ERROR 32

Transport motor overload  
Check film transport  
Press start to release



Transport motor overload.

Check film transport.

Press start to release.

Remove and reload film from  
seal jaw/injector blade.



## TROUBLESHOOTING

| OPERATING ISSUE                           | RECOMMENDATIONS   |
|---|---|
| No power to machine                       | <p>Check power cord is connected to both machine and outlet.</p> <p>Check main power switch is on.</p> <p>Check power fuse.</p>   |
| No display after power on                 | <p>Check power fuse.</p>  |
| Display shown but machine will not start. | <p>Contact Uline Customer Service at 1-800-295-5510.</p>  |
| Bad film seal                             | <p>Check film type selection.</p> <p>Turn off machine, check belt/blade position.</p> <p>Check sealing units are closed and locked.</p> <p>Check if film roll shaft is in the right position.</p> <p>Replace belts and blades.</p> <p>Adjust the temperature.</p> |
| Film seal is stretched.                   | <p>Check film type selection.</p> <p>Check if film roll shaft is in the right position.</p> <p>Adjust the temperature.</p> <p>Adjust the air flow.</p> <p>Check if film roll shaft is jammed.</p>   |
| Film does not run through.                | <p>Check if sealing units are closed and locked.</p> <p>Check blade placement.</p> <p>Replace belts and blades.</p>   |
| Air cushions do not hold air.             | <p>Film roll is loaded the wrong way.</p> <p>Check belt/blade position.</p> <p>Check if film roll shaft is in the right position.</p> <p>Check if sealing units are closed and locked.</p>  |
| Film jams occur frequently.               | <p>Check film causing blockage.</p> <p>Check belts and blades. Replace as needed.</p> <p>Check film and mandrel settings.</p> <p>Remove and reload film into machine to ensure film is not jamming up injector.</p>   |
| Film blockage                             | <p>Check if film roll shaft is jammed.</p> <p>Remove any film causing blockage.</p> <p>Check film run on machine.</p>   |
| Film winding around rollers               | <p>Remove any film causing blockage.</p>  |

**ULINE**

1-800-295-5510  
uline.com

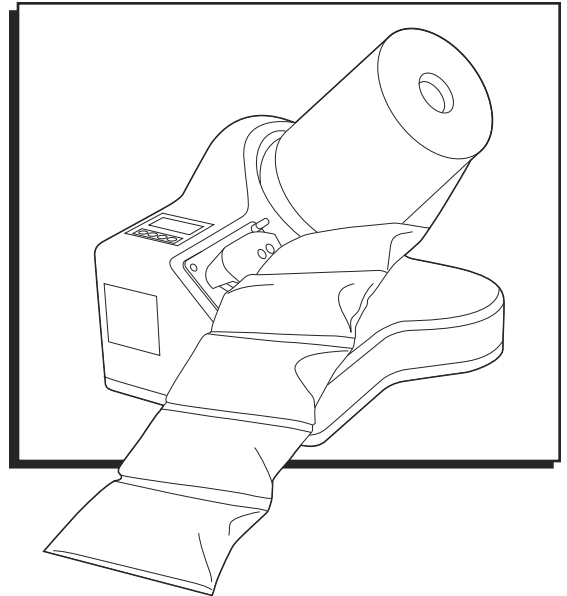
# ULINE H-7242

## MÁQUINA PARA ACOJINADO

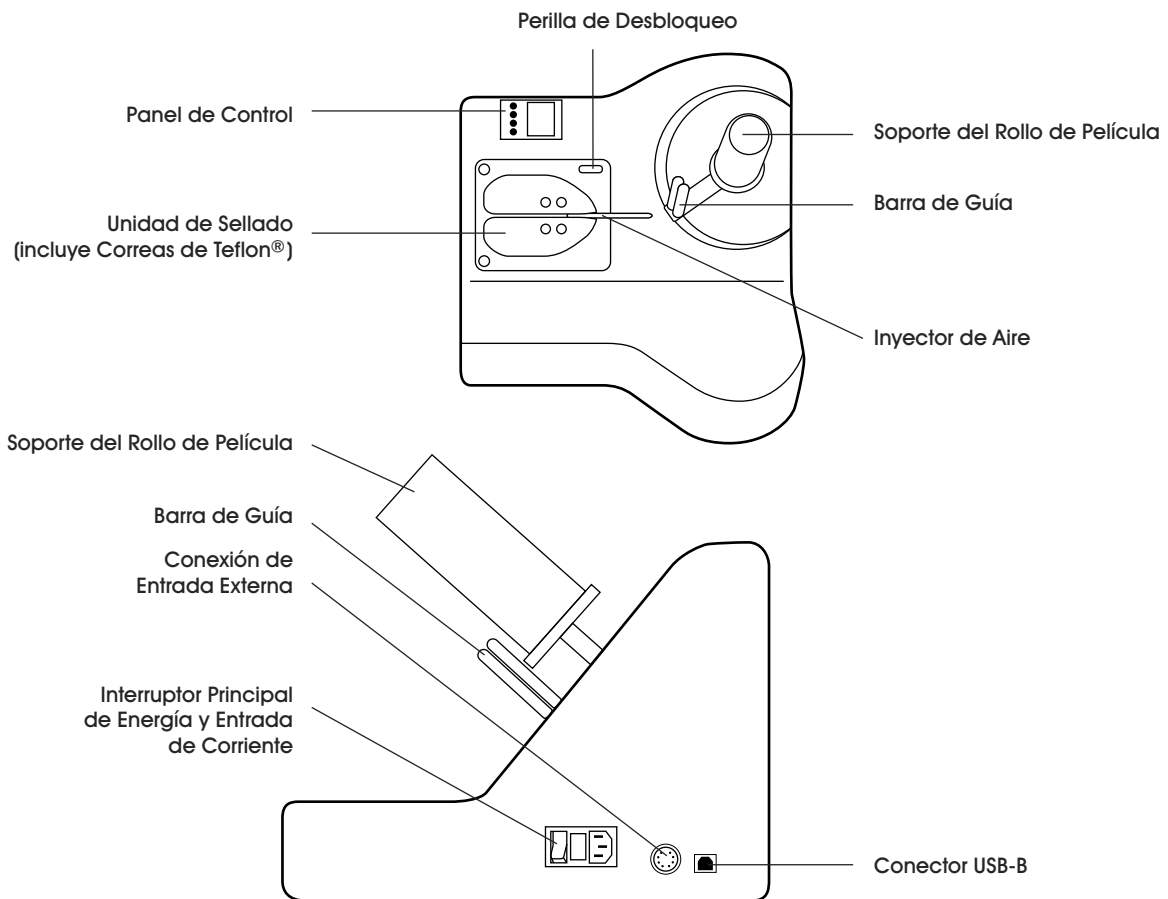
1-800-295-5510  
uline.ca

### CONTENIDO DE LA CAJA

- Máquina para Acojinado
- Soporte del Rollo de Película
- Medidor de Espacio
- Kit de Mantenimiento
- Cable Eléctrico
- Manual del Usuario



## PARTES



**¡ADVERTENCIA!** Lea y comprenda las instrucciones por completo antes de utilizar la Máquina para Acojinado Uline.



**¡ADVERTENCIA!** Para garantizar la seguridad personal, debe seguir con atención las siguientes instrucciones.

## ÁREA DE TRABAJO

- Mantenga el área de trabajo limpia y bien iluminada.
- Coloque la máquina sobre una superficie plana y seca.
- No utilice la máquina en ambientes explosivos, como en presencia de líquidos inflamables, gases o polvo. No coloque materiales inflamables dentro, encima o alrededor de la máquina.

## SEGURIDAD ELÉCTRICA

- La clavija debe corresponder al enchufe y el enchufe debe hacer tierra de forma adecuada. No modifique la clavija de ninguna manera. No utilice un adaptador de clavijas o extensiones eléctricas.
- No exponga la máquina a condiciones de humedad.
- Para trabajos de instalación y mantenimiento, la máquina debe apagarse siempre mediante el interruptor principal y estar desconectada de la toma de corriente principal.
- Todas las medidas y facilidades de seguridad y protección deben aplicarse y mantenerse conforme a las instrucciones de la IEC (International Electrotechnical Commission).

## SEGURIDAD PERSONAL

- Evite el encendido accidental. Asegúrese de que el interruptor esté colocado en apagado antes de enchufar.
- Hay una navaja extremadamente filosa por debajo del ensamble del inyector de aire. Siga estrictamente las instrucciones de reemplazo de navajas en la página 17.
- La película se sella utilizando un alambre térmico localizado debajo de una correa de Teflon®. Este alambre se pone muy caliente y podría quemar si se toca. Apague la máquina y permita que el alambre se enfríe de 2 a 3 minutos antes de llevar a cabo cualquier operación que exponga el alambre. Siga las instrucciones incluidas, página 16, para reemplazar las correas de Teflon®.

## USO Y CUIDADO

- Apague la máquina y desconecte el enchufe de la fuente de energía antes de llevar a cabo cualquier operación a la máquina. Esto incluye reemplazo de película, limpieza o mantenimiento.
- La máquina requiere limpieza periódica. Verifique si hay partes móviles desalineadas o atoradas, partes rotas, o cualquier otro problema que afecte el funcionamiento. No utilice una máquina dañada.
- Este sistema fue diseñado para procesar un tipo específico de película. Para garantizar el buen funcionamiento, solo reemplace con película para Máquina para Acojinado Uline.
- En situaciones de emergencia, apague el interruptor de energía. La máquina se apagará en unos pocos segundos (cuando el indicador esté apagado por completo). Luego de eliminar la situación de emergencia o el defecto, la máquina se puede encender de nuevo de acuerdo al manual del usuario.

## ALMACENAMIENTO





Almacene el dispositivo solo bajo las siguientes condiciones:

- El almacenamiento en exteriores está prohibido.
- El dispositivo solo se debe almacenar en habitaciones secas.
- Mantenga seco y libre de polvo.
- Proteja del calor masivo, como los radiadores.

## ESPECIFICACIONES TÉCNICAS

|                                     |   |
|-------------------------------------|---|
| Voltaje                             | 95 – 250 VAC; 50/60 Hz  |
| Consumo de Energía (máx.)           | 97 W  |
| Consumo de Energía                  | 76 W  |
| Consumo de Energía (modo de espera) | 6.2 W   |
| Fusible Principal Recomendado       | 3.15 AMP  |
| Dimensiones                         | 37.3 x 36.4 cm (14 <sup>2</sup> / <sub>3</sub> x 14 <sup>1</sup> / <sub>3</sub> " |
| Altura                              | 33 cm (13")   |
| Velocidad de Transporte             | ~33 LFM   |
| Peso                                | 7.1 kg (15.65 lbs.)   |
| Nivel de Presión Acústica           | 52 db   |

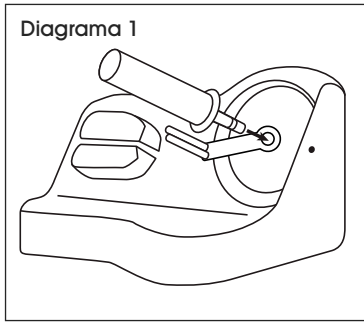
## FUNCIONES DEL TECLADO

|   |                            |  |
|---|----------------------------|--|
|  | Botón de Encendido/Apagado | <ul style="list-style-type: none"> <li>• Enciende o apaga la máquina</li> </ul>  |
|  | Flecha arriba              | <ul style="list-style-type: none"> <li>• Aumenta el valor</li> <li>• Desplaza hacia arriba</li> </ul>                          |
|  | Flecha abajo               | <ul style="list-style-type: none"> <li>• Reduce el valor</li> <li>• Desplaza hacia abajo</li> </ul>                            |
|  | Botón de Entrada           | <ul style="list-style-type: none"> <li>• Confirma</li> <li>• Menú de entrada</li> <li>• Elemento de menú de entrada</li> </ul> |

# CONFIGURAR EL DISPOSITIVO

## ENSAMBLE DEL SOPORTE DEL ROLLO DE PELÍCULA

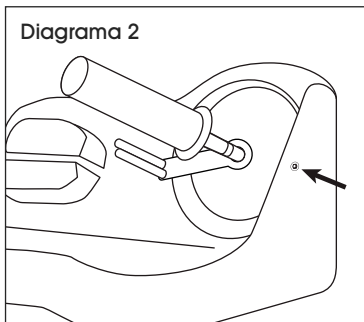
1. Remueva la máquina y el eje azul para rollo de película de la caja. Inserte la pieza de metal en el orificio en el lado delantero de la máquina. (Vea Diagrama 1)



Las películas para la Máquina para Acojinado Uline están disponibles en tres opciones diferentes:

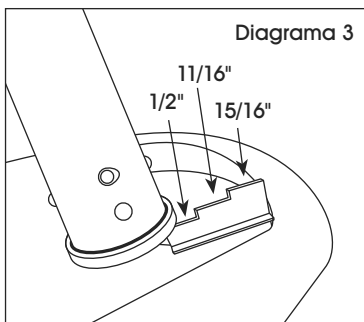
| DESCRIPCIÓN          | NO. DE PARTE DE ULINE | TAMAÑO DE ACOJINADO | GUÍA DE ESPACIO |
|----------------------|-----------------------|---------------------|-----------------|
| Almohadillas de Aire | S-22467               | 8 x 4"              | 11/16"          |
| Acojinado            | S-22468               | 1¼ x 9 x 13"        | 1/2"            |
| Burbuja              | S-22469               | 3/4 x 6 x 13"       | 1/2"            |

2. Ajuste el soporte del rollo de película para que quepa la película deseada aflojando el tornillo en el lateral derecho de la máquina con la llave Allen que se incluye. Apriete el tornillo suavemente para fijarlo. (Vea Diagrama 2)



**NOTA:** El tornillo en el lado derecho de la máquina está colocado en la cubierta de la máquina. Debe aflojarse y apretarse para ajustar el soporte del rollo de película y no es necesario quitarlo para este proceso.

3. El uso del medidor de espacio incluido puede ayudar a encontrar la configuración correcta para cada tipo de película. (Vea Diagrama 3)

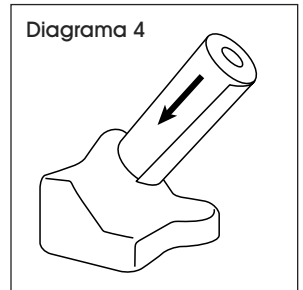


- Almohadillas de Aire = 11/16"
- Acojinado = 1/2"
- Burbuja = 1/2"

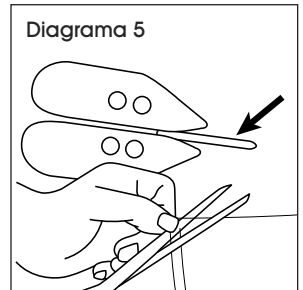
4. Ajuste el tornillo para asegurar el soporte del rollo de película.

## CARGAR UN ROLLO DE PELÍCULA

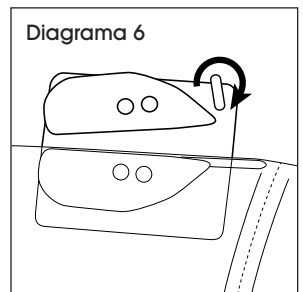
1. Deslice la película para insertarla en el soporte del rollo de película. Asegúrese de que la película esté orientada para desenrollarse desde la parte inferior del rollo. (Vea Diagrama 4)



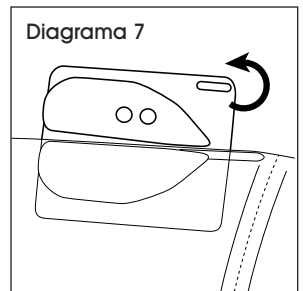
2. Hay un espacio entre el borde de la película y las perforaciones. Corte un pequeña esquina del espacio para la película. (Vea Diagrama 5)



3. Gire la perilla de desbloqueo en sentido de las manecillas del reloj para desbloquear la unidad superior de sellado. Deslice la película entre las unidades de sellado lo más lejos posible hasta que sienta resistencia. (Vea Diagrama 6)



4. Gire la perilla en sentido contrario a las manecillas del reloj para desbloquear la unidad superior de sellado. Asegúrese siempre de que la perilla esté bloqueada antes de operar la máquina. (Vea Diagrama 7)



# CONTINUACIÓN DE CONFIGURAR EL DISPOSITIVO

## INTERRUPTOR DE ENERGÍA Y CONEXIONES

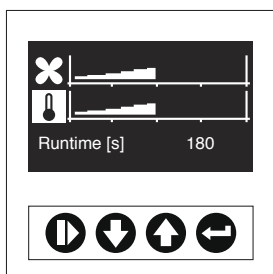
Después de verificar la fuente de energía, el sistema se puede encender. El interruptor principal está en la posición "I."

## SELECCIONAR EL TIPO DE PELÍCULA INICIAL

Hay tres tipos de películas diferentes para seleccionar disponibles cuando enciende la máquina.



Seleccione las opciones de almohadillas de aire, burbuja o acojinado presionando seis veces hasta que el tipo de película aparezca.



Oprima el símbolo o para confirmar la opción de película.

| DESCRIPCIÓN          | NO. DE PARTE DE ULINE | TAMAÑO DE ACOJINADO | GUÍA DE ESPACIO |
|----------------------|-----------------------|---------------------|-----------------|
| Almohadillas de Aire | S-22467               | 8 x 4"              | 11/16"          |
| Acojinado            | S-22468               | 1¼ x 9 x 13"        | 1/2"            |
| Burbuja              | S-22469               | 3/4 x 6 x 13"       | 1/2"            |

## COMENZAR LA PRODUCCIÓN DE PELÍCULA

Una vez que se seleccione un menú con sus parámetros preconfigurados, la máquina está lista para operar. Todo menú sigue los mismos pasos:



La máquina está lista para comenzar la producción de película Air Pillows.



Oprima para comenzar la producción de película Air Pillows.



Vuelva a oprimir para detener la producción de película Air Pillows.

## CÓMO AJUSTAR LAS CONFIGURACIONES DE AIRE

Los menús de tipo de película escogida funcionan automáticamente bajo las configuraciones correctas de aire y temperatura. No se necesita ajustar la configuración de la máquina manualmente, pero si las configuraciones automáticas no son óptimas, el teclado le permite cambiar las siguientes configuraciones:

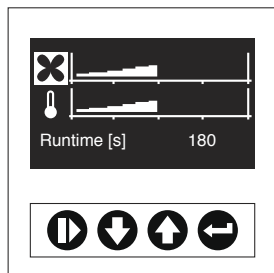


### Visualizar Air Pillows

Listo para comenzar

Oprima 1 x para configuración de aire.

## CONTINUACIÓN DE CONFIGURAR EL DISPOSITIVO



### Visualizar configuración de aire

La cantidad de aire ya es ajustable.

Oprima para reducir el aire.

Oprima para aumentar el aire.

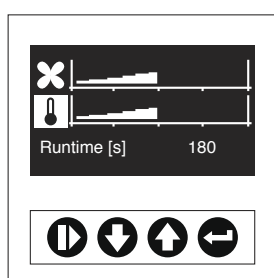
Aún cuando la máquina esté operando, oprima para cambiar la configuración de aire utilizando o . Mientras la máquina esté operando, el signo de tiempo de ejecución no aparecerá.

### CÓMO AJUSTAR TEMPERATURAS PARA SELLAR



### Visualizar Air Pillows

Oprima 2 x para configuración de temperatura.



### Visualizar configuración de temperatura

Oprima para reducir la temperatura.

Oprima para aumentar la temperatura.

Aún cuando la máquina esté operando, oprima para cambiar la configuración de temperatura utilizando o . Mientras la máquina esté operando, el signo de tiempo de ejecución no aparecerá.

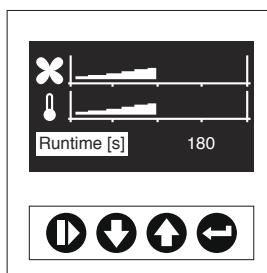
### CÓMO AJUSTAR EL TIEMPO DE EJECUCIÓN

Para producir una cantidad deseada de acojinado, se puede fijar un tiempo específico de ejecución. El tiempo de ejecución se indica en segundos y su configuración de fábrica es de 180 segundos. El tiempo de ejecución fijado bajará a cero y cesará la producción.



### Visualizar Air Pillows

Oprima 3 x para ver el menú de tiempo de ejecución.



### Cambiar configuración de tiempo de Ejecución

Configuración mínima es de 1 segundo.

Configuración máxima es de 2,400 segundos.

Oprima para reducir el tiempo de ejecución.

Oprima para aumentar el tiempo de ejecución.

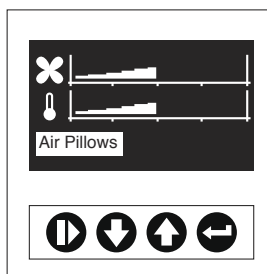
### CÓMO CAMBIAR EL TIPO DE PELÍCULA

Cambiar el menú a un tipo nuevo de película al cargar un tipo diferente de película.



### Visualizar Air Pillows

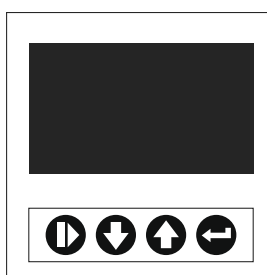
Oprima 6 x hasta que aparezca el tipo de película.



Oprima o para cambiar el tipo de película.

### CONFIGURACIONES DE FÁBRICA

La configuración de la máquina permite reiniciar todas las opciones, parámetros, ajustes y cambios y volver a la configuración de fábrica.

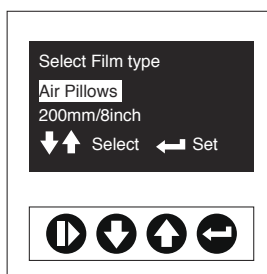


### Máquina apagada

Visualización del interruptor de energía [O] apagada

Oprima y déjelo oprimido mientras encienda la máquina.

Sulte los botones + cuando opere la visualización.



### Interruptor de energía encendido

Interruptor de energía encendido [I]

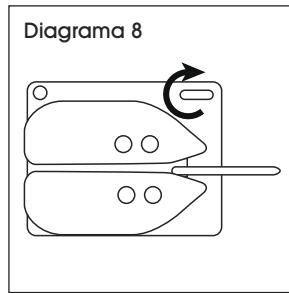
Todos las configuraciones fueron reiniciadas prosiga con "Seleccionar el Tipo Inicial de Película" de nuevo para escoger un tipo de película.

# MANTENIMIENTO

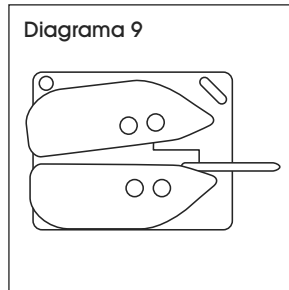
## REEMPLAZAR LA NAVAJA

Asegúrese de desconectar de la fuente de energía.

1. Gire la perilla de bloqueo en sentido de las manecillas del reloj para desbloquear la unidad superior de sellado. (Vea Diagrama 8)



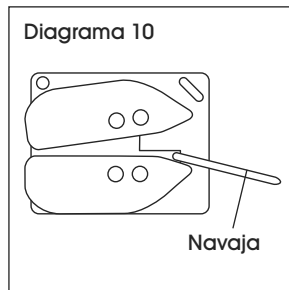
2. Abra la unidad superior de sellado. (Vea Diagrama 9)



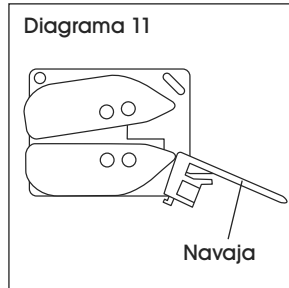
3. Jale la navaja hacia el lado derecho. (Vea Diagrama 10)



**¡PRECAUCIÓN! Navaja filosa.**



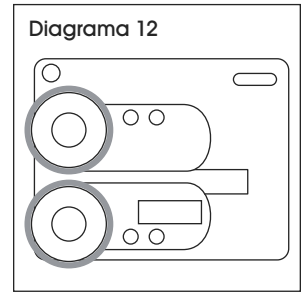
4. Saque la navaja de la máquina e inserte una nueva. (Vea Diagrama 11)



5. Gire la perilla de bloqueo en dirección contraria a las manecillas del reloj para volver a bloquear la unidad superior de sellado.

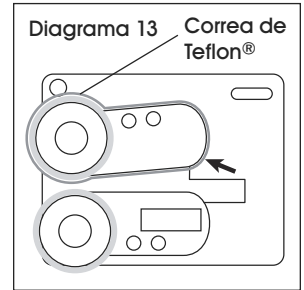
## CAMBIAR LAS CORREAS

1. Remueva las cubiertas azules tanto en la unidad de sellado superior como en la inferior utilizando la llave Allen incluida. Asegúrese de que la unidad de sellado superior esté desbloqueada. (Vea Diagrama 12)



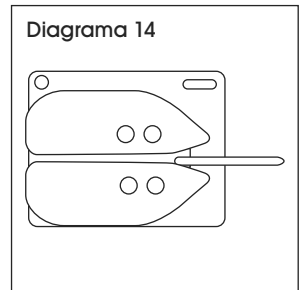
2. Empuje la unidad de sellado superior hacia la izquierda.

3. Retire la correa de Teflon® mientras aplica presión hacia arriba a la unidad de sellado superior y reemplácela con una nueva correa de Teflon®. (Vea Diagrama 13)



4. Repita los pasos 2 y 3 con la unidad de sellado inferior.

5. Vuelva a fijar las cubiertas azules utilizando la llave Allen incluida y gire la perilla en sentido contrario a las agujas del reloj para bloquear la unidad superior de sellado. (Vea Diagrama 14)



**NOTE:** Vea [uline.mx](http://uline.mx) para ordenar el repuesto de las navajas del inyector (H-7241-INJCT) y las correas de teflón (H-7241-TBELT).



## CÓDIGOS DE ERROR

### ERROR 20

Calibration out of range  
Calibrate seal wire  
Turn off and on



Calibración fuera de rango.  
Calibre el alambre de sellado.  
Encienda y apague.  
Llame a Servicio a Clientes de Uline al 800-295-5510.

### ERROR 30

Seal jaw is not closed  
Close jaw  
Press start to release



La mordaza de sellado no está cerrada.  
Solo es posible si está instalado un microinterruptor.  
Cierre la mordaza.  
Presione iniciar para liberarla.

### ERROR 21

Seal wire  
Check connection  
Turn off and on



Alambre de sellado.  
Revisar conexión.  
Encienda y apague.

### ERROR 31

Transport failure  
Check film transport  
Press start to release



Falla de transporte.  
Revise el transporte de la película.  
Presione iniciar para liberar.  
Retire y cargue de nuevo la película para sellar la navaja de la mordaza/injector.

### ERROR 22

Temperature not reached  
Check seal system  
Turn off and on



No se alcanzó la temperatura.  
Revise el sistema de sellado.  
Encienda y apague.

### ERROR 32

Transport motor overload  
Check film transport  
Press start to release



Sobrecarga del transporte del motor.  
Verifique el transporte de la película.  
Presione iniciar para liberar.  
Retire y cargue de nuevo la película de mordaza de sellado/injector.

## SOLUCIÓN DE PROBLEMAS

| PROBLEMA DE FUNCIONAMIENTO                               | RECOMENDACIONES  |
|--|--|
| La máquina no recibe corriente                           | <p>Verifique que el cable eléctrico esté conectado tanto a la máquina como al enchufe.</p> <p>Verifique que el interruptor principal de energía esté encendido.</p> <p>Verifique el fusible de energía.</p>  |
| No hay visualización después de encender                 | <p>Verifique el fusible de energía.</p>  |
| Aparece la visualización pero no se enciende la máquina. | <p>Comuníquese con Servicio a Clientes de Uline al 800-295-5510.</p>   |
| Sellado pobre de la película                             | <p>Verifique la selección de tipo de película.</p> <p>Apague la máquina, verifique la posición de la correa/navaja.</p> <p>Verifique que las unidades de sellado estén cerradas y bloqueadas.</p> <p>Verifique que el eje del rollo de la película esté en la posición correcta.</p> <p>Reemplace correas y navajas.</p> <p>Ajuste la temperatura.</p> |
| El sellado de la película está estirado.                 | <p>Verifique la selección de tipo de película.</p> <p>Verifique que el eje del rollo de película esté en la posición correcta.</p> <p>Ajuste la temperatura.</p> <p>Ajuste el flujo de aire.</p> <p>Verifica si el eje del rollo de película está atascado.</p>  |
| La película no sale.                                     | <p>Verifique que las unidades de sellado estén cerradas y bloqueadas.</p> <p>Verifique la colocación de la navaja.</p> <p>Reemplace correas y navajas.</p>   |
| El acojinado no almacena aire.                           | <p>El rollo de película está cargado en la dirección equivocada.</p> <p>Verifique la posición de la correa/navaja.</p> <p>Verifique que el eje del rollo de película esté en la posición correcta.</p> <p>Verifique que las unidades de sellado estén cerradas y bloqueadas.</p>   |
| Ocurren atascos de película con frecuencia.              | <p>Verifique la película que causa la obstrucción.</p> <p>Revise correas y navajas. Reemplace cuando sea necesario.</p> <p>Revise la película y la configuración del eje del torno.</p> <p>Retire y vuelva a cargar la película en la máquina para asegurarse de que no esté atascada.</p>   |
| Obstrucción de película                                  | <p>Verifique si el eje del rollo de película está atascado.</p> <p>Remueva cualquier película que cause obstrucción.</p> <p>Verifique el camino de la película en la máquina.</p>  |
| La película se enrolla alrededor de los rodillos         | <p>Remueva cualquier película que cause obstrucción.</p>   |

**ULINE**

800-295-5510  
uline.mx

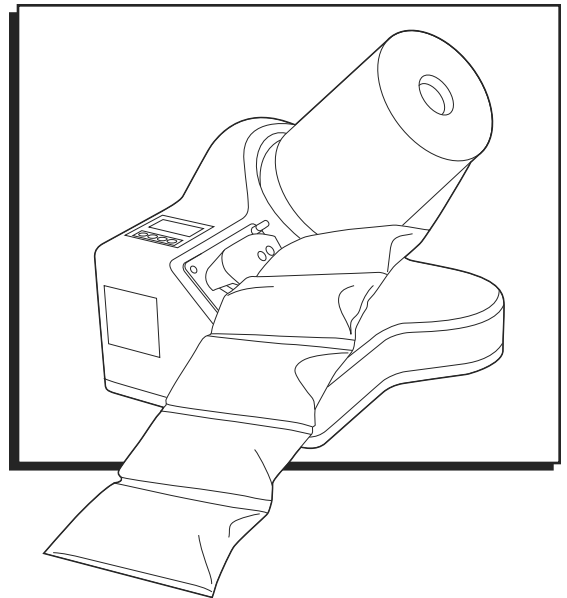
# ULINE H-7242

## MACHINE À COUSSIN D'AIR

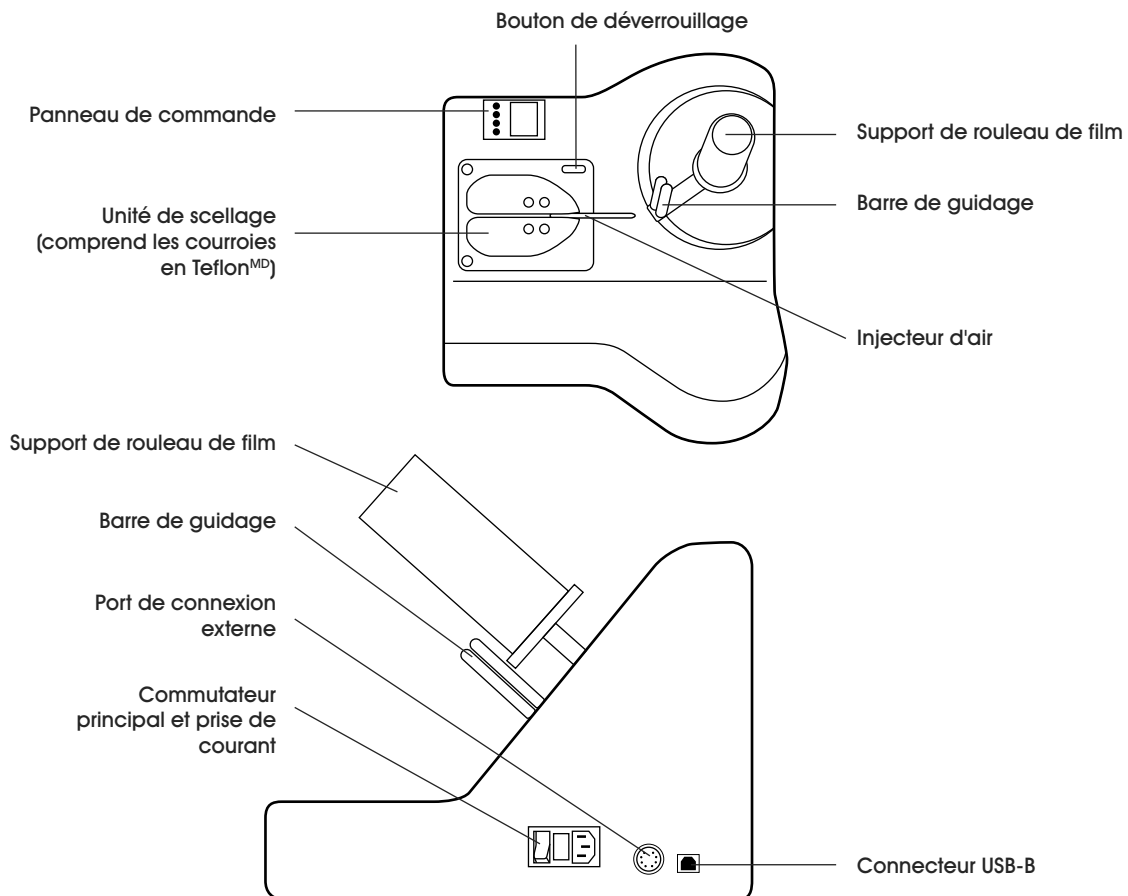
1-800-295-5510  
uline.ca

### CONTENU DE LA BOÎTE

- Machine à coussin d'air
- Support de rouleau de film
- Jauge d'espacement
- Ensemble d'entretien
- Cordon d'alimentation
- Manuel de l'utilisateur



## PIÈCES



**AVERTISSEMENT!** Veuillez lire et comprendre toutes les instructions avant d'utiliser la machine à coussin d'air Uline.



**AVERTISSEMENT!** Pour garantir la sécurité personnelle, il est impératif de respecter les instructions suivantes.

## ZONE DE TRAVAIL

- Maintenez la zone de travail propre et bien éclairée.
- Placez la machine sur une surface plate et sèche.
- N'utilisez pas cette machine dans un environnement explosif, ou en présence de liquide inflammable, de gaz ou de poussière. Ne placez aucune matière inflammable à l'intérieur, sur ou à proximité de la machine.

## SÉCURITÉ ÉLECTRIQUE

- La fiche d'alimentation doit correspondre à la prise électrique, qui doit être convenablement mise à la terre. N'apportez aucune modification à la fiche. N'utilisez pas de fiche d'adaptation ou de rallonge.
- N'exposez pas cette machine à l'humidité.
- Pendant les opérations d'installation et d'entretien, la machine doit toujours être éteinte et débranchée de la source d'alimentation principale.
- Toutes les consignes de sécurité et de protection doivent être observées et maintenues conformément aux réglementations ICE.

## SÉCURITÉ PERSONNELLE

- Empêchez tout démarrage accidentel. Assurez-vous que le commutateur est en position éteinte avant de brancher la machine.
- Une lame extrêmement tranchante est située sous l'injecteur d'air. Adhérez strictement aux instructions de remplacement de lame à la page 26.
- Le film est scellé par un fil chauffant situé sous la courroie en Teflon<sup>MD</sup>. Ce fil devient extrêmement chaud et peut provoquer des brûlures en cas de contact. Éteignez la machine et laissez le fil refroidir pendant 2 ou 3 minutes avant d'effectuer toute opération où il se trouvera exposé à nu. Suivez les instructions fournies à la page 25 pour le remplacement des courroies en Teflon<sup>MD</sup>.

## UTILISATION ET SOIN

- Éteignez la machine et débranchez la fiche de la source d'alimentation avant d'effectuer toute opération. Ceci inclut le remplacement du film, le nettoyage ou l'entretien.
- Cette machine nécessite un nettoyage régulier. Assurez-vous qu'aucune pièce mobile n'est décalée, bloquée ou endommagée et que rien ne puisse affecter le fonctionnement. N'utilisez pas une machine endommagée.
- Ce système a été conçu pour fonctionner avec un certain type de film. Afin de garantir un bon fonctionnement, remplacez uniquement avec le film Uline pour machine à coussins d'air.
- En cas d'urgence, placez le commutateur en position arrêt. La machine s'éteindra en quelques secondes (lorsque l'indicateur est complètement éteint). Après avoir réglé le problème ou l'urgence, vous pouvez rallumer la machine selon les instructions du manuel de l'utilisateur.

## RANGEMENT





Ne rangez l'appareil que dans les conditions suivantes :

- Le rangement à l'extérieur est interdit.
- L'appareil ne doit être entreposé que dans une pièce sèche.
- Conservez au sec et à l'abri de la poussière.
- Protégez des sources de chaleur intense, comme les radiateurs.

## SPÉCIFICATIONS TECHNIQUES

|  |                                     |
|--|-------------------------------------|
| Tension                                  | 95 à 250 VCA; 50/60 Hz              |
| Consommation électrique (max.)           | 97 W                                |
| Consommation électrique                  | 76 W                                |
| Consommation électrique (mode de veille) | 6,2 W                               |
| Fusible principal recommandé             | 3,15 A                              |
| Dimensions                               | 37,3 x 36,4 cm (14 2/3 x 14 1/3 po) |
| Hauteur                                  | 33 cm (13 po)                       |
| Vitesse de route                         | ~ 33 pi/m                           |
| Poids                                    | 7,1 kg (15,65 lb)                   |
| Niveau de pression acoustique            | 52 db                               |

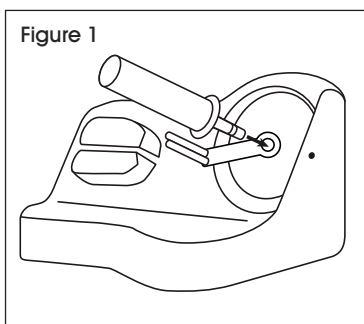
## FONCTIONS DU CLAVIER

|   |                     |  |
|---|---------------------|--|
|  | Touche marche/arrêt | <ul style="list-style-type: none"> <li>• Allume ou éteint la machine</li> </ul>  |
|  | Flèche vers le haut | <ul style="list-style-type: none"> <li>• Augmente la valeur</li> <li>• Fait défiler vers le haut</li> </ul>                |
|  | Flèche vers le bas  | <ul style="list-style-type: none"> <li>• Diminue la valeur</li> <li>• Fait défiler vers le bas</li> </ul>                  |
|  | Bouton d'entrée     | <ul style="list-style-type: none"> <li>• Confirme</li> <li>• Accès au menu</li> <li>• Accès aux options du menu</li> </ul> |

# RÉGLAGE DE L'APPAREIL

## MONTAGE DU SUPPORT DE ROULEAU DE FILM

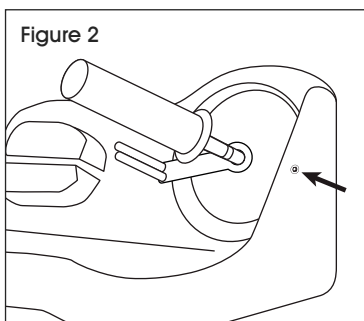
1. Retirez la machine et l'arbre porte-rouleau de film bleu de la boîte. Insérez la partie métallique dans le trou situé sur le côté avant de la machine. (Voir Figure 1)



Les films pour machines à coussin d'air Uline sont offerts en trois options différentes :

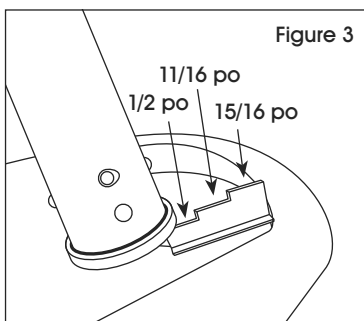
| DESCRIPTION    | RÉF. ULINE | TAILLE DU COUSSIN | GUIDE D'ESPACEMENT |
|----------------|------------|-------------------|--------------------|
| Coussins d'Air | S-22467    | 8 x 4 po          | 11/16 po           |
| Coussins d'Air | S-22468    | 1 ¼ x 9 x 13 po   | 1/2 po             |
| Film À Bulles  | S-22469    | 3/4 x 6 x 13 po   | 1/2 po             |

2. Ajustez le support de rouleau de film au type de film désiré en desserrant la vis située sur le côté droit de la machine à l'aide de la clé Allen incluse. Serrez légèrement la vis pour sécuriser. (Voir Figure 2)



**REMARQUE :** La vis située sur le côté droit de la machine est placée dans son boîtier. Elle doit être desserrée et serrée pour ajuster le support de rouleau de film, sans nécessiter son retrait.

3. L'utilisation de la jauge d'espacement incluse peut aider à trouver le bon réglage pour chaque type de film. (Voir Figure 3)

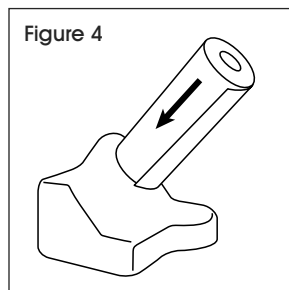


- Coussins d'air = 11/16 po
- Coussins d'air = 1/2 po
- Film à bulles = 1/2 po

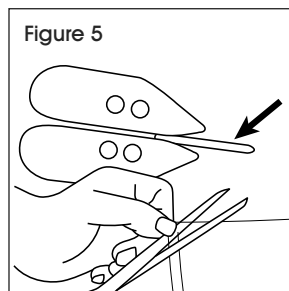
4. Serrez la vis pour sécuriser le support de rouleau de film.

## CHARGEMENT DU ROULEAU DE FILM

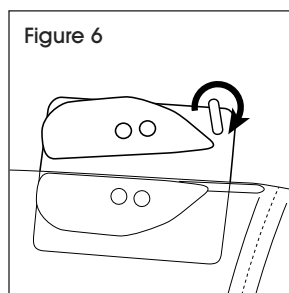
1. Glissez le film sur le support de rouleau de film. Assurez-vous que le film est orienté de manière à se dérouler par le bas. (Voir Figure 4)



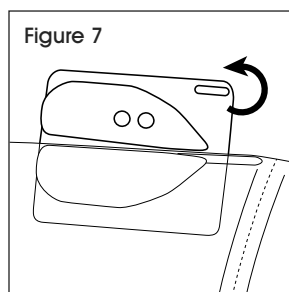
2. Il y a un écart entre le bord supérieur du film et les perforations. Coupez un petit coin de film. (Voir Figure 5)



3. Tournez le bouton de déverrouillage dans le sens horaire pour déverrouiller la partie supérieure de unité de scellage. Glissez le film aussi loin que possible entre les deux unités de scellage jusqu'à ce que vous sentiez une résistance. (Voir Figure 6)



4. Tournez le bouton de déverrouillage dans le sens antihoraire pour verrouiller l'unité de scellage supérieure. Assurez-vous de toujours verrouiller le bouton avant d'utiliser la machine. (Voir Figure 7)



# RÉGLAGE DE L'APPAREIL SUITE

## COMMUTATEUR ET CONNEXIONS

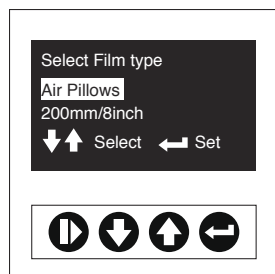
Après vérification de la source d'alimentation, vous pouvez allumer l'appareil. Le commutateur principal est en position « I ».

## SÉLECTION DU TYPE DE FILM INITIAL

Il y a trois types de film offerts lorsque vous allumez la machine.



Sélectionnez parmi les options de coussins d'air ou de film à bulles en appuyant six fois sur ← jusqu'à ce que le type de film s'affiche.



Appuyez sur ↓ ou ↑ pour confirmer votre sélection de film.

| DESCRIPTION    | RÉF. ULINE | TAILLE DU COUSSIN | GUIDE D'ESPACEMENT |
|----------------|------------|-------------------|--------------------|
| Coussins d'Air | S-22467    | 8 x 4 po          | 11/16 po           |
| Coussins d'Air | S-22468    | 1 ¼ x 9 x 13 po   | 1/2 po             |
| Film À Bulles  | S-22469    | 3/4 x 6 x 13 po   | 1/2 po             |

## DÉMARRAGE DE LA PRODUCTION

Lorsque vous avez sélectionné un menu et ses paramètres, la machine est prête à l'emploi. Chaque menu suit les mêmes étapes :



La machine est prête à démarrer la production de film de remplissage de vide S.



Appuyez sur ▶ pour commencer la production de film de remplissage de vide S.



Appuyez une nouvelle fois sur ▶ pour arrêter la production de film de remplissage de vide S.

## COMMENT AJUSTER LES RÉGLAGES DE L'AIR

Les menus de type de film choisi fonctionnent automatiquement sur les paramètres d'air et de température appropriés. Vous n'avez pas besoin d'ajuster manuellement les paramètres de la machine, mais si les paramètres automatiques ne sont pas optimaux, le clavier vous permet de faire les changements suivants :

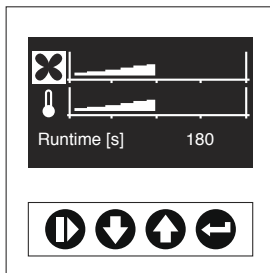


Affichage de remplissage de vide S

Prête à démarrer

Appuyer 1 x sur ← pour les paramètres d'air.

## RÉGLAGE DE L'APPAREIL SUITE



### Affichage des paramètres d'air

La quantité d'air est maintenant réglable.

Appuyez sur pour moins d'air.

Appuyez sur pour plus d'air.

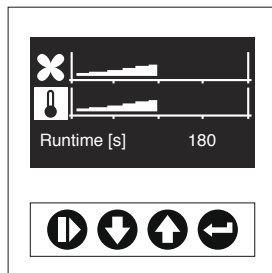
Même lorsque la machine est en cours d'utilisation, appuyez sur pour changer les réglages d'air en utilisant ou . Lorsque la machine est en cours d'utilisation, l'affichage de temps d'exécution (« runtime ») n'apparaît pas.

### COMMENT AJUSTER LA TEMPÉRATURE DE SCELLAGE



### Affichage des coussins d'air

Appuyez 2 x sur pour les paramètres de température.



### Affichage des paramètres de température

Appuyez sur pour diminuer la température.

Appuyez sur pour augmenter la température.

Même lorsque la machine est en cours d'utilisation, appuyez sur pour changer les réglages de température en appuyant sur ou . Lorsque la machine est en cours d'utilisation, l'affichage de temps d'exécution (« runtime ») n'apparaît pas.

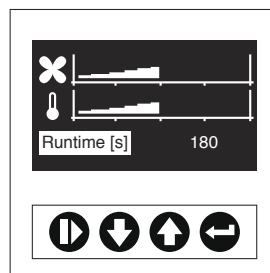
### COMMENT AJUSTER LE TEMPS D'EXÉCUTION

Pour produire une quantité désirée de coussins d'air, il est possible de régler un temps d'exécution spécifique. Le temps d'exécution est indiqué en secondes; le réglage d'usine est de 180 secondes. Le temps d'exécution préétabli descend vers zéro, et la production s'arrête.



### Affichage des coussins d'air

Appuyez 3 x sur pour parvenir au menu de temps d'exécution.



### Changer le réglage de temps d'exécution

Le réglage minimal est de 1 seconde.

Le réglage minimal est de 2 400 secondes.

Appuyez sur pour diminuer le temps d'exécution.

Appuyez sur pour augmenter le temps d'exécution.

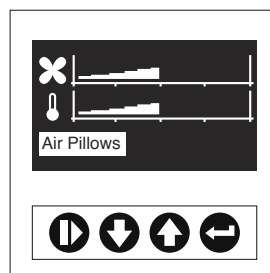
### COMMENT CHANGER LE TYPE DE FILM

Changer le menu à un type de film différent lors du chargement d'un type de film différent.



### Affichage des coussins d'air

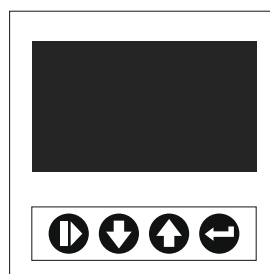
Appuyez 6 x sur jusqu'à l'affichage du type de film.



Appuyez sur ou pour changer les type de film.

### RÉGLAGES D'USINE

Le réglage de la machine permet de réinitialiser vers le réglage d'usine tous les choix, paramètres, ajustements et changements effectués.

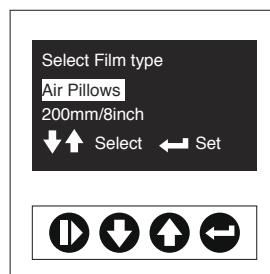


### Machine éteinte

Affichage du commutateur éteint [O]

Appuyez sur et maintenez appuyé tout en allumant la machine.

Relâchez les boutons + à l'affichage de l'écran.



### Commutateur allumé

Commutateur allumé [I]

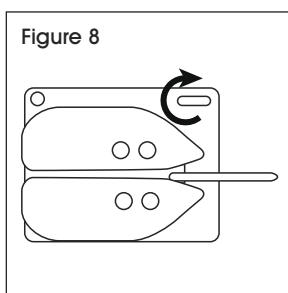
Tous les paramètres sont réinitialisés, suivez à nouveau les instructions de la section Sélection de type de film initial pour sélectionner un type de film.



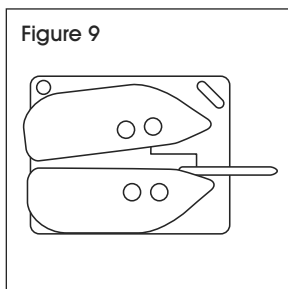
## REPLACEMENT DE LA LAME

Assurez-vous que l'appareil est débranché de toute source d'alimentation.

1. Tournez le bouton de verrouillage dans le sens horaire pour déverrouiller l'unité de scellage supérieure. (Voir Figure 8)

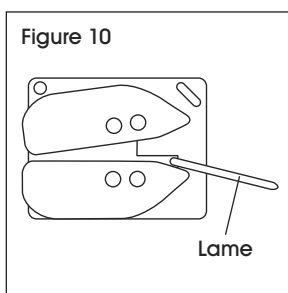


2. Ouvrez l'unité de scellage supérieure. (Voir Figure 9)

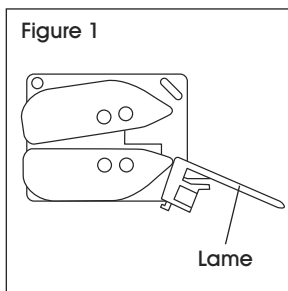


3. Tirez la lame vers le côté droit. (Voir Figure 10)

 **MISE EN GARDE! Lame tranchante**



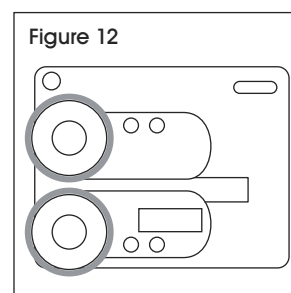
4. Retirez la lame de la machine et insérez une nouvelle lame. (Voir Figure 11)



5. Tournez le bouton de verrouillage dans le sens antihoraire pour verrouiller à nouveau l'unité de scellage supérieure.

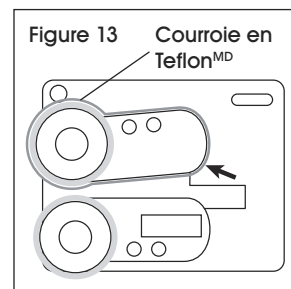
## REPLACEMENT DES COURROIES

1. Retirez les couvercles bleus situés sur les unités de scellage inférieure et supérieure à l'aide d'une clé Allen. Assurez-vous que l'unité de scellage supérieure est déverrouillée. (Voir Figure 12)



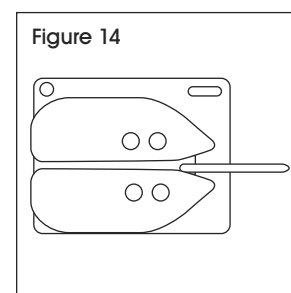
2. Poussez l'unité de scellage supérieure vers la gauche.


3. Tout en appuyant sur l'unité de scellage supérieure, retirez la courroie en Teflon<sup>MD</sup> et remplacez-la avec une courroie neuve. (Voir Figure 13)



4. Répétez les étapes 2 et 3 avec l'unité de scellage inférieure.

5. Remplacez les couvercles bleus à l'aide de la clé Allen et tournez le bouton de verrouillage dans le sens antihoraire pour verrouiller l'unité de scellage supérieure. (Voir Figure 14)



 **REMARQUE :** veuillez consulter [fr.uline.ca](http://fr.uline.ca) pour commander des lames d'injecteur (H-7241-INJCT) et des courroies en téflon (H-7241-TBELT) de rechange.

## CODES D'ERREUR

### ERROR 20

Calibration out of range  
Calibrate seal wire  
Turn off and on



Étalonnage hors échelle.

Calibrez le fil de scellage.

Éteignez et rallumez l'appareil.

Contactez le service à la clientèle de Uline au 1 800 295-5510.

### ERROR 30

Seal jaw is not closed  
Close jaw  
Press start to release



La mâchoire de scellage n'est pas fermée.

Possible uniquement si un microrupteur est installé.

Fermez la mâchoire.

Appuyez sur démarrer pour relâcher.

### ERROR 21

Seal wire  
Check connection  
Turn off and on



Scellez le fil.

Vérifiez la connexion.

Éteignez et rallumez l'appareil.

### ERROR 31

Transport failure  
Check film transport  
Press start to release



Panne de transport.

Vérifiez le transport du film.

Appuyez sur démarrer pour relâcher.

Retirez et rechargez le film de la mâchoire de scellage/de la lame de l'injecteur.

### ERROR 22

Temperature not reached  
Check seal system  
Turn off and on



Température non atteinte.

Vérifiez le système de scellage.

Éteignez et rallumez l'appareil.

### ERROR 32

Transport motor overload  
Check film transport  
Press start to release



Surcharge du moteur de transport.

Vérifiez le transport du film.

Appuyez sur démarrer pour relâcher.

Retirez et rechargez le film de la mâchoire de scellage/de la lame de l'injecteur.

## DÉPANNAGE

| PROBLÈME DE FONCTIONNEMENT                                     | RECOMMANDATIONS  |
|--|--|
| La machine n'est pas alimentée                                 | Vérifiez que le cordon d'alimentation est branché dans la machine et dans la prise de courant.<br>Vérifiez que le commutateur principal est allumé.<br>Vérifiez le fusible.  |
| Aucun affichage après l'allumage                               | Vérifiez le fusible.   |
| L'affichage apparaît, mais la machine ne se met pas en marche. | Contactez le service à la clientèle de Uline au 1 800 295-5510.  |
| Mauvais scellage du film                                       | Vérifiez le type de film sélectionné.<br>Éteignez la machine, et vérifiez la position de la courroie/lame.<br>Vérifiez que les unités de scellage sont fermées et verrouillées.<br>Vérifiez que l'arbre porte-rouleau de film est bien positionné.<br>Remplacez les courroies et les lames.<br>Ajustez la température. |
| Le scellage du film est étiré.                                 | Vérifiez le type de film sélectionné.<br>Vérifiez que l'arbre porte rouleau de film est bien positionné.<br>Ajustez la température.<br>Ajustez le débit d'air.<br>Vérifiez si l'arbre porte rouleau est bloqué.  |
| Le film n'avance pas.  | Vérifiez que les unités de scellage sont fermées et verrouillées.<br>Vérifiez le positionnement de la lame.<br>Remplacez les courroies et les lames.   |
| Les coussins d'air ne se gonflent pas.                         | Le rouleau de film est installé dans le mauvais sens.<br>Vérifiez la position de la courroie/lame.<br>Vérifiez que l'arbre porte rouleau de film est bien positionné.<br>Vérifiez que les unités de scellage sont fermées et verrouillées.   |
| Le film se bloque fréquemment.                                 | Inspectez le film provoquant les blocages.<br>Vérifiez les courroies et les lames. Remplacez-les au besoin.<br>Vérifiez le film et les réglages du mandrin.<br>Retirez et rechargez le film dans la machine pour vous assurer que le film ne bloque pas l'injecteur.   |
| Blocage du film  | Vérifiez si l'arbre porte rouleau est bloqué.<br>Retirez tout film provoquant un blocage.<br>Vérifiez l'avancée du film sur la machine.  |
| Le film s'enroule autour des rouleaux                          | Retirez tout film provoquant un blocage.   |

**ULINE**

1-800-295-5510  
uline.ca