

# ZT600 Series

Industrial Printer



## User Guide



**ZEBRA**

**ULINE**

1-800-295-5510

0720 IH-7378VND

© 2017 ZIH Corp. and/or its affiliates. All rights reserved. ZEBRA and the stylized Zebra head are trademarks of ZIH Corp., registered in many jurisdictions worldwide. All other trademarks are the property of their respective owners.

Information in this document is subject to change without notice.

For further information regarding legal and proprietary statements, please go to:

COPYRIGHTS: [www.zebra.com/copyright](http://www.zebra.com/copyright)

WARRANTY: [www.zebra.com/warranty](http://www.zebra.com/warranty)

END USER LICENSE AGREEMENT: [www.zebra.com/eula](http://www.zebra.com/eula)

SOFTWARE: [www.zebra.com/linkoslegal](http://www.zebra.com/linkoslegal)

## Terms of Use

**Proprietary Statement** This manual contains proprietary information of Zebra Technologies Corporation and its subsidiaries (“Zebra Technologies”). It is intended solely for the information and use of parties operating and maintaining the equipment described herein. Such proprietary information may not be used, reproduced, or disclosed to any other parties for any other purpose without the express, written permission of Zebra Technologies.

**Product Improvements** Continuous improvement of products is a policy of Zebra Technologies. All specifications and designs are subject to change without notice.

**Liability Disclaimer** Zebra Technologies takes steps to ensure that its published Engineering specifications and manuals are correct; however, errors do occur. Zebra Technologies reserves the right to correct any such errors and disclaims liability resulting therefrom.

**Limitation of Liability** In no event shall Zebra Technologies or anyone else involved in the creation, production, or delivery of the accompanying product (including hardware and software) be liable for any damages whatsoever (including, without limitation, consequential damages including loss of business profits, business interruption, or loss of business information) arising out of the use of, the results of use of, or inability to use such product, even if Zebra Technologies has been advised of the possibility of such damages. Some jurisdictions do not allow the exclusion or limitation of incidental or consequential damages, so the above limitation or exclusion may not apply to you.



**Part Number: P1088680-001 Rev. A**

**ULINE**

1-800-295-5510

0720 IH-7378VND



# Declaration of Conformity

We have determined that the Zebra printers identified as the

**ZT610™ and ZT620™**

manufactured by:

**Zebra Technologies Corporation**  
3 Overlook Point  
Lincolnshire, Illinois 60069 U.S.A.

Have been shown to comply with the applicable technical standards of the FCC

**For Home, Office, Commercial, and Industrial use**

If no unauthorized change is made in the equipment,  
and if the equipment is properly maintained and operated.



## Compliance Information

### FCC Compliance Statement

This device complies with Part 15 of the FCC Rules. Operation is subject to the following two conditions:

1. This device may not cause harmful interference, and
2. This device must accept any interference received, including interference that may cause undesired operation.



**Note** • This equipment has been tested and found to comply with the limits for a Class B digital device, pursuant to part 15 of the FCC Rules. These limits are designed to provide reasonable protection against harmful interference in a residential installation. This equipment generates, uses, and can radiate radio frequency energy and, if not installed and used in accordance with the instructions, may cause harmful interference to radio communications. However, there is no guarantee that interference will not occur in a particular installation. If this equipment does cause harmful interference to radio or television reception, which can be determined by turning the equipment off and on, the user is encouraged to try to correct the interference by one or more of the following measures:

- Reorient or relocate the receiving antenna.
- Increase the separation between the equipment and receiver.
- Connect the equipment into an outlet on a circuit different from that to which the receiver is connected.
- Consult the dealer or an experienced radio/TV technician for help.

### FCC Radiation Exposure Statement (for printers with RFID encoders)

This equipment complies with FCC radiation exposure limits set forth for an uncontrolled environment. This equipment should be installed and operated with minimum distance 20cm between the radiator and your body.

This transmitter must not be co-located or operating in conjunction with any other antenna or transmitter.

### Canadian DOC Compliance Statement

This Class B digital apparatus complies with Canadian ICES-003.

Cet appareil numérique de la classe B est conforme à la norme NMB-003 du Canada.

# Contents

<b>Declaration of Conformity</b> .....	<b>3</b>
Compliance Information .....	4
<b>About This Document</b> .....	<b>11</b>
Who Should Use This Document .....	12
How This Document Is Organized .....	12
<b>1 • Introduction</b> .....	<b>13</b>
Printer Components .....	14
Printer Options .....	15
Communication Interfaces .....	16
Data Cables .....	17
Standard Control Panel .....	18
Navigating through Screens in the Standard Display .....	19
Idle Display, Home Menu, and User Menus in the Standard Display .....	21
Types of Media .....	22
Ribbon Overview .....	24
When to Use Ribbon .....	24
Coated Side of Ribbon .....	24
<b>2 • Printer Setup and Operation</b> .....	<b>27</b>
Handling the Printer .....	28
Unpack and Inspect the Printer .....	28
Store the Printer .....	28
Service the Printer .....	28
Ship the Printer .....	29
Select a Location for the Printer .....	30
Select a Print Mode .....	31
Load the Media .....	32

Insert the Media into the Printer . . . . .	32
Tear-Off Mode . . . . .	35
Peel-Off Mode or Applicator Mode . . . . .	39
Rewind Mode . . . . .	46
Cutter Mode or Delayed Cut Mode . . . . .	53
Load the Ribbon . . . . .	58
Install the Printer Driver and Connect the Printer to the Computer . . . . .	62
Install Zebra Setup Utilities . . . . .	62
Connect a Computer to the Printer's USB Port . . . . .	71
Connect a Computer to the Printer's Serial or Parallel Port . . . . .	75
Connect to Your Network through the Printer's Ethernet Port . . . . .	83
Connect the Printer to Your Wireless Network . . . . .	91
Print a Test Label and Make Adjustments . . . . .	97
<b>3 • Printer Configuration and Adjustment . . . . .</b>	<b>101</b>
Adjust Printer Settings . . . . .	102
DARKNESS . . . . .	105
PRINT SPEED . . . . .	106
MEDIA TYPE . . . . .	107
PRINT METHOD . . . . .	108
TEAR OFF . . . . .	109
PRINT WIDTH . . . . .	110
PRINT MODE . . . . .	111
LABEL TOP . . . . .	112
LEFT POSITION . . . . .	113
REPRINT MODE . . . . .	114
LABEL LENGTH MAX . . . . .	115
COVER OPEN LIGHT . . . . .	117
MEDIA PATH LIGHTS . . . . .	118
RIBBON PATH LIGHTS . . . . .	119
PRINT INFORMATION . . . . .	120
IDLE DISPLAY . . . . .	122
POWER UP ACTION . . . . .	123
HEAD CLOSE ACTION . . . . .	124
LOAD DEFAULTS . . . . .	125
MEDIA/RIBBON CAL . . . . .	127
DIAGNOSTIC MODE . . . . .	128
ENERGY STAR . . . . .	129
CONFIG INFO TO USB . . . . .	130
ZBI ENABLED? . . . . .	131
RUN ZBI PROGRAM . . . . .	132
STOP ZBI PROGRAM . . . . .	133
PRINT USB FILE . . . . .	134

COPY USB FILE TO E: ..... 135

STORE E: FILE TO USB ..... 136

PRINT STATION ..... 137

PASSWORD PROTECT ..... 138

APPLCTR ERR: PAUSE ..... 139

PRINT TEST FORMAT ..... 140

ACTIVE PRINT SERVER ..... 141

PRIMARY NETWORK ..... 142

WIRED IP ADDRESS ..... 143

WIRED SUBNET MASK ..... 144

WIRED GATEWAY ..... 145

WIRED IP PROTOCOL ..... 146

WIRED MAC ADDRESS ..... 147

WLAN IP ADDRESS ..... 148

WLAN SUBNET MASK ..... 149

WLAN GATEWAY ..... 150

WLAN IP PROTOCOL ..... 151

WLAN MAC ADDRESS ..... 152

ESSID ..... 153

CHANNEL ..... 154

SIGNAL ..... 155

IP PORT ..... 156

IP ALTERNATE PORT ..... 157

RESET NETWORK ..... 158

VISIBILITY AGENT ..... 159

RFID STATUS ..... 160

RFID CALIBRATE ..... 161

READ RFID DATA ..... 162

RFID TEST ..... 163

RFID PROGRAM POS. .... 164

RFID ANTENNA ..... 165

RFID READ POWER ..... 166

RFID WRITE POWER ..... 167

RFID VALID COUNT ..... 168

RFID VOID COUNT ..... 169

LANGUAGE ..... 170

COMMAND LANGUAGE ..... 171

COMMAND CHAR ..... 172

CONTROL CHAR ..... 173

DELIMITER CHAR ..... 174

ZPL MODE ..... 175

VIRTUAL DEVICE ..... 176



SENSOR TYPE .....	177
SELF ADJUST SENSOR .....	178
LABEL SENSOR .....	179
TAKE LABEL .....	180
BAUD RATE .....	181
DATA BITS .....	182
PARITY .....	183
HOST HANDSHAKE .....	184
WML .....	185
BLUETOOTH ADDRESS .....	186
MODE .....	187
DISCOVERY .....	188
CONNECTED .....	189
BT SPEC VERSION .....	190
MIN SECURITY MODE .....	191
Calibrate the Ribbon and Media Sensors .....	192
Adjust the Printhead Pressure and Toggle Position .....	198
Toggle Position Adjustment .....	199
Printhead Pressure Adjustment .....	201
Adjust the Sensor Position .....	204
Remove Used Ribbon .....	205
Install the Rewind/Liner Take-Up Plate .....	207
Peel Mode/Applicator Mode .....	207
Rewind Mode .....	209
<b>4 • Routine Maintenance .....</b>	<b>211</b>
Cleaning Schedule and Procedures .....	212
Clean the Exterior, the Media Compartment, and the Sensors .....	213
Clean the Printhead and Platen Roller .....	214
Clean the Cutter Module .....	218
Replacing Printer Components .....	226
Ordering Replacement Parts .....	226
Recycling Printer Components .....	226
Lubrication .....	226
<b>5 • Diagnostics and Troubleshooting .....</b>	<b>227</b>
QR Codes and QuickHelp Pages .....	228
Judging Barcode Quality .....	229
Printer Diagnostic Tests .....	231
Print Test Format Option .....	232
Optimal Darkness and Speed Test .....	237
Communication Diagnostics Test .....	239
Sensor Profile .....	240



- Indicator Lights ..... 242
- Troubleshooting ..... 244
  - Alerts and Error Messages ..... 244
  - Printing Issues ..... 248
  - Ribbon Issues ..... 252
  - RFID Issues ..... 254
  - Communications Issues ..... 257
  - Miscellaneous Issues ..... 258
- 6 • Using the USB Host Ports and the NFC Capabilities ..... 261**
  - Items Required for the Exercises ..... 262
    - Files for Completing the Exercises ..... 262
  - USB Host ..... 265
    - Exercise 1: Copy Files to a USB Flash Drive and Perform USB Mirror ..... 266
    - Exercise 2: Print a Label Format from a USB Flash Drive ..... 268
    - Exercise 3: Copy Files to/from a USB Flash Drive ..... 269
    - Exercise 4: Enter Data for a Stored File with a USB Keyboard and Print a Label .. 271
  - Near Field Communication (NFC) ..... 272
    - Exercise 5: Enter Data for a Stored File with a Smart Device and Print a Label ... 273
- 7 • Specifications ..... 275**
  - General Specifications ..... 276
  - Power Specifications ..... 279
    - Power Cord Specifications ..... 280
  - Wireless Specifications ..... 281
  - Printing Specifications ..... 282
  - Media Specifications ..... 284
  - Ribbon Specifications ..... 286
- Glossary ..... 287**
- Index ..... 291**





Notes •

---

---

---

---

---

---

---

---

---

---

---

# About This Document

This section provides you with contact information, document structure and organization, and additional reference documents.

## Contents

Who Should Use This Document . . . . .	12
How This Document Is Organized . . . . .	12



## Who Should Use This Document

This User Guide is intended for use by any person who needs to perform routine maintenance, upgrade, or troubleshoot problems with the printer.

## How This Document Is Organized

The User Guide is set up as follows:

<b>Section</b>	<b>Description</b>
<i>Introduction on page 13</i>	This section provides a high-level overview of the printer and its components.
<i>Printer Setup and Operation on page 27</i>	This section assists the technician with initial setup and operation of the printer.
<i>Printer Configuration and Adjustment on page 101</i>	This section assists you with configuration of and adjustments to the printer.
<i>Routine Maintenance on page 211</i>	This section provides routine cleaning and maintenance procedures.
<i>Diagnostics and Troubleshooting on page 227</i>	This section provides diagnostic tests and other information that may help you to optimize printing or to troubleshoot issues with your printer.
<i>Using the USB Host Ports and the NFC Capabilities on page 261</i>	This section will help you to learn how to use the USB host ports on your Zebra printer and how to use the printer's Near Field Communication (NFC) capability. The information is presented in the form of exercises with some SGD commands listed for advanced users.
<i>Specifications on page 275</i>	This section lists general printer specifications, printing specifications, ribbon specifications, and media specifications.
<i>Glossary on page 287</i>	The glossary provides a list of common terms.

# Introduction

This section provides a high-level overview of the printer and its components.

## Contents

Printer Options . . . . .	15
Communication Interfaces . . . . .	16
Printer Components . . . . .	14
Standard Control Panel . . . . .	18
Navigating through Screens in the Standard Display . . . . .	19
Idle Display, Home Menu, and User Menus in the Standard Display. . . . .	21
Types of Media . . . . .	22
Ribbon Overview . . . . .	24
When to Use Ribbon . . . . .	24
Coated Side of Ribbon . . . . .	24

## Printer Components

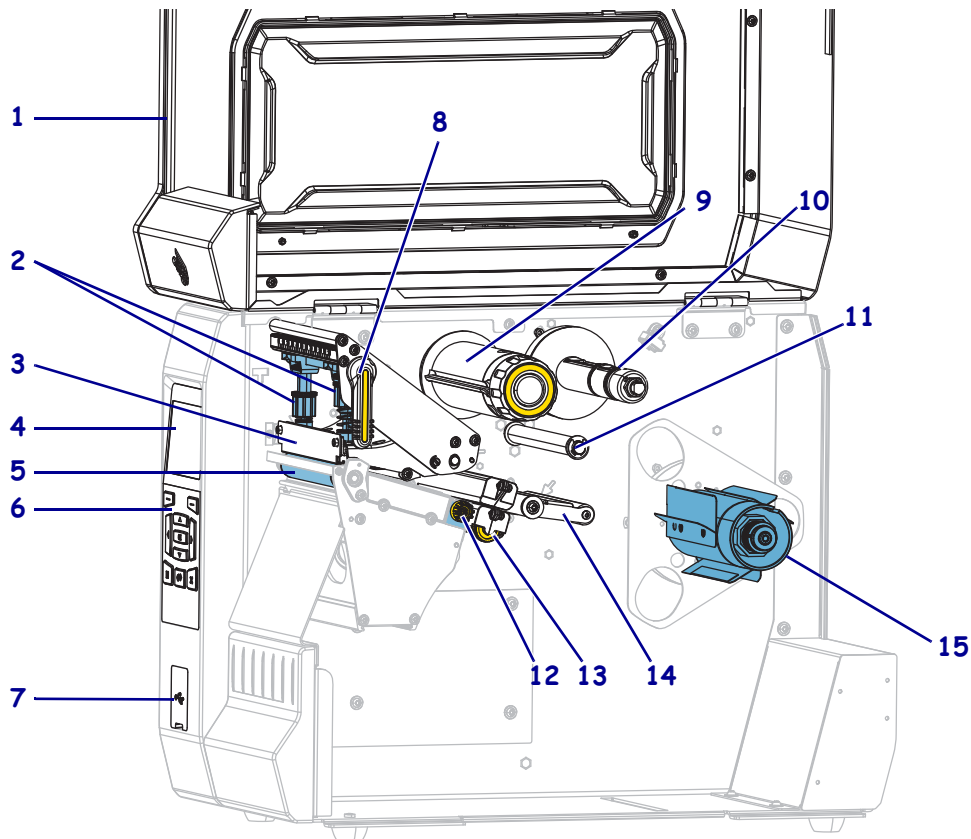


**Note** • The components inside your printer are color-coded.

- The touch points that you will need to handle are colored **gold** inside the printers and are highlighted in **gold** in the illustrations in this manual.
- Some components are highlighted in **light blue** in the illustrations in this manual for emphasis or clarity.

Figure 1 shows the components inside the media compartment of a standard printer. Depending on the printer model and the installed options, your printer may look slightly different. The components that are labeled are mentioned in procedures throughout this manual.

Figure 1 • Printer Components



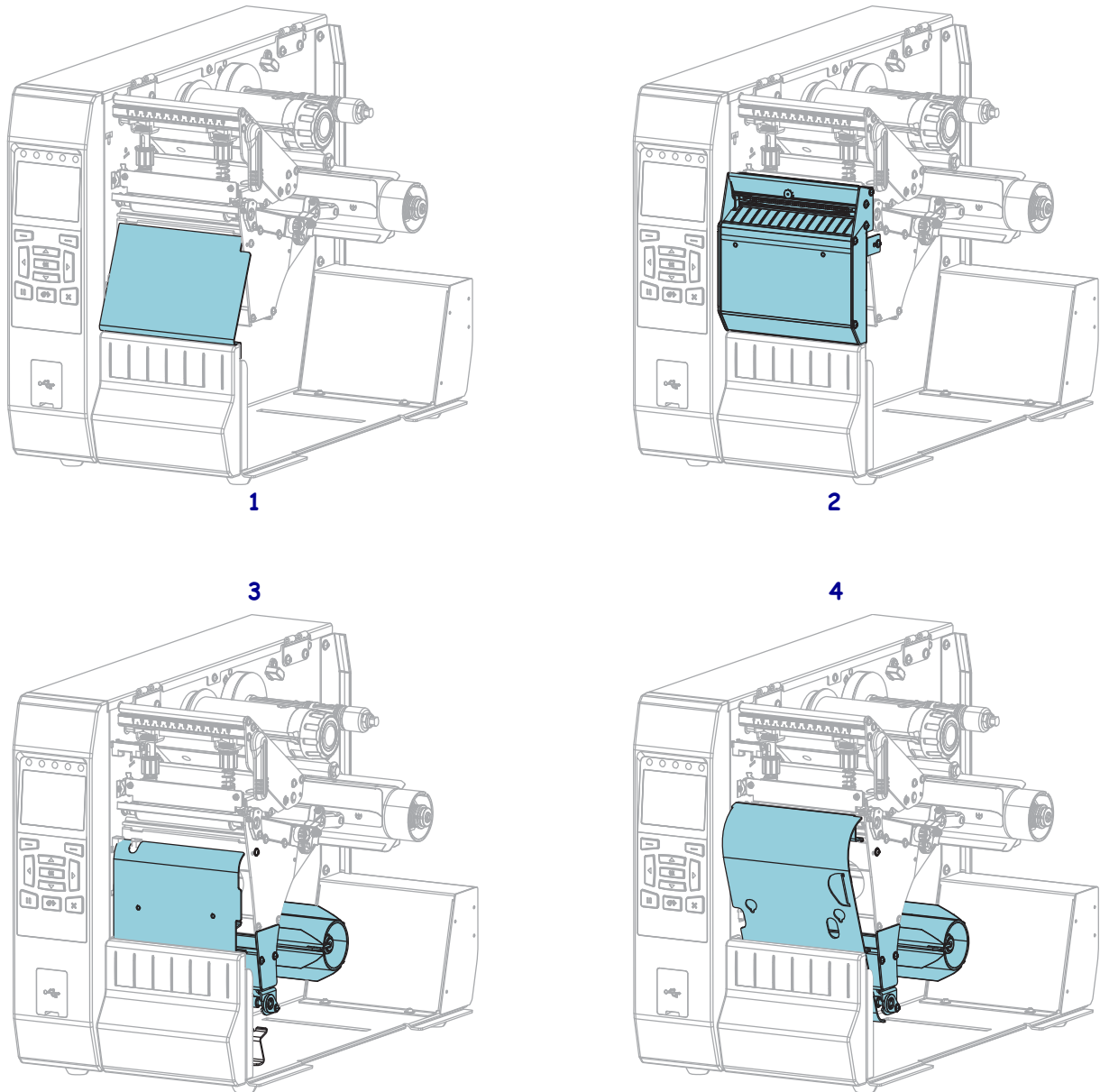
1	Media door
2	Printhead pressure toggles
3	Printhead assembly
4	Control panel display
5	Platen roller
6	Control panel
7	USB host port
8	Printhead-open lever

9	Ribbon take-up spindle
10	Ribbon supply spindle
11	Ribbon guide roller
12	Media guide adjustment knob
13	Transmissive media sensor adjustment wheel
14	Media dancer assembly
15	Media supply spindle

## Printer Options

The available printer options are shown in [Figure 2](#). For information about the print modes that can be used with the printer options, see [Select a Print Mode](#) on page 31.

Figure 2 • Printer Options



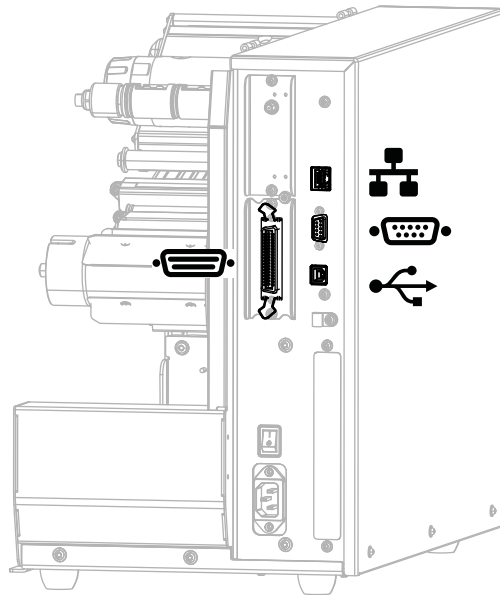
1	Tear-Off (standard)
2	Cutter option
3	Rewind option set for Peel mode
4	Rewind option set for Rewind mode




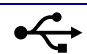
## Communication Interfaces

The available communication interface connectors are shown in [Figure 3](#). Your printer may not have all of the connections shown here, and a ZebraNet wireless print server option may also be present on your printer. You may send label formats to the printer through any communication interface that is available on your printer.

- For detailed information about the types of connections available, see [Communication Interface Specifications](#) on page 276.
- For instructions on when and how to connect your computer to one ore more of these communication interfaces, see [Install the Printer Driver and Connect the Printer to the Computer](#) on page 62.

**Figure 3 • Location of Communication Interfaces**



	Parallel port
	Internal wired Ethernet print server
	Serial port
	USB port



## Data Cables

You must supply all data cables for your application. The use of cable strain relief clamps is recommended.

Ethernet cables do not require shielding, but all other data cables must be fully shielded and fitted with metal or metalized connector shells. Unshielded data cables may increase radiated emissions above the regulated limits.

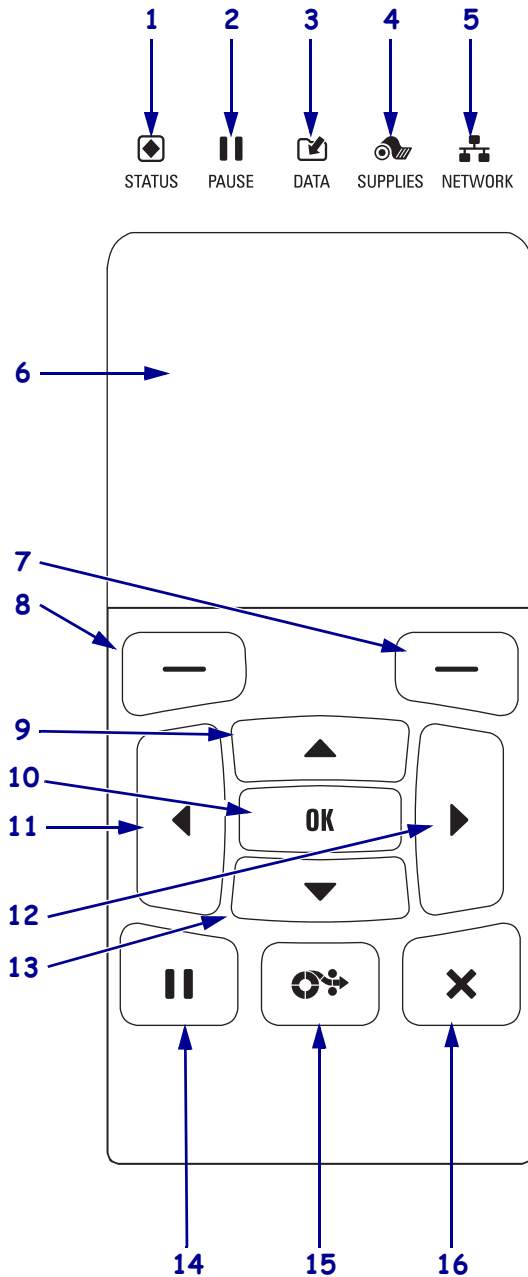
To minimize electrical noise pickup in the cable:

- Keep data cables as short as possible.
- Do not bundle the data cables tightly with the power cords.
- Do not tie the data cables to power wire conduits.

## Standard Control Panel

The standard control panel indicates the printer's current status and allows the user to control basic printer operation. An optional color touch control panel is available for purchase. Because it functions differently, it is documented in a separate User Guide.

Figure 4 • Control Panel



1		<b>STATUS light</b>	These <b>indicator lights</b> show the current status of the printer. For more information, see <a href="#">Indicator Lights</a> on page 242.
2		<b>PAUSE light</b>	
3		<b>DATA light</b>	
4		<b>SUPPLIES light</b>	
5		<b>NETWORK light</b>	
6			The <b>display</b> shows the printer's current status and allows the user to navigate the menu system.
7	<b>RIGHT SELECT button</b>	These buttons execute the commands shown directly above them in the display.	
8	<b>LEFT SELECT button</b>		
9	The <b>UP ARROW button</b> changes the parameter values. Common uses are to increase a value or to scroll through choices.		
10	The <b>OK button</b> selects or confirms what is shown on the display.		
11	The <b>LEFT ARROW button</b> , which is active only in the menu system, navigates to the left.		
12	The <b>RIGHT ARROW button</b> , which is active only in the menu system, navigates to the right.		
13	The <b>DOWN ARROW button</b> changes the parameter values. Common uses are to decrease a value or to scroll through choices.		
14	The <b>PAUSE button</b> starts or stops printer operation when pressed.		
15	The <b>FEED button</b> forces the printer to feed one blank label each time the button is pressed.		
16	The <b>CANCEL button</b> cancels label formats when the printer is paused. <ul style="list-style-type: none"> <li>• Press once to cancel the next label format.</li> <li>• Press and hold for 2 seconds to cancel all label formats.</li> </ul>		

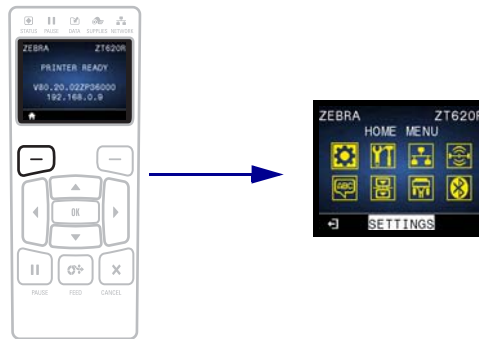
## Navigating through Screens in the Standard Display

Table 1 shows the following:

- the options available for navigating through the screens in the control panel display
- how to select or modify things shown on the display

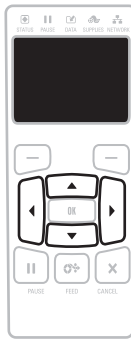
Table 1 • Navigation

### Idle Display



At the Idle Display (Figure 5 on page 21), press LEFT SELECT to go to the printer's Home menu (Figure 6 on page 21).

### Home Menu



To move from icon to icon in the Home menu, press any of the ARROW buttons.

When an icon is selected, its colors are reversed to highlight it.



**SETTINGS menu icon**



**SETTINGS menu icon highlighted**



To select the highlighted menu icon and enter the menu, press OK.



Press LEFT SELECT to exit the Home menu and return to the Idle Display. The printer automatically returns to the Idle Display after 15 seconds of inactivity in the Home menu.

Table 1 • Navigation (Continued)

User Menus



Press LEFT SELECT to return to the Home menu. The printer automatically returns to the Home menu after 15 seconds of inactivity in a user menu.



▲ and ▼ indicate that a value can be changed. Any changes that you make are saved immediately. Press the UP ARROW or DOWN ARROW to scroll through accepted values.

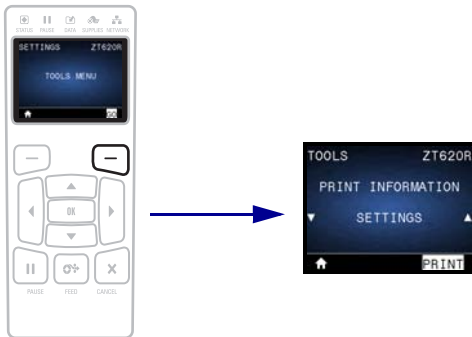


To scroll through the items in a user menu, press the LEFT ARROW or RIGHT ARROW.

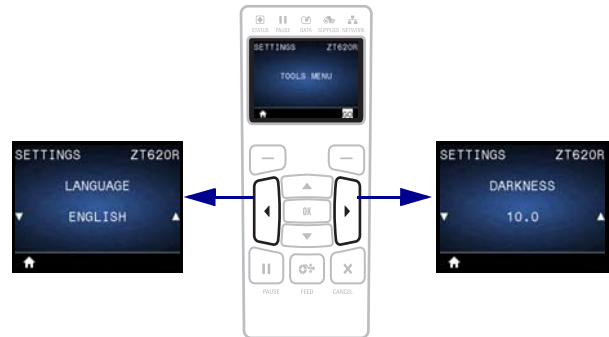


A word in the bottom-right corner of the display indicates an available action. Press OK or press RIGHT SELECT to perform the action shown.

Menu Shortcuts



To go to the next user menu from a menu shortcut, press OK or press RIGHT SELECT to select GO.



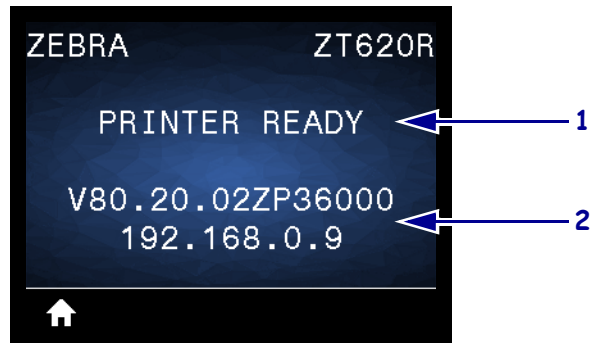
To continue to navigate in the same user menu, press the LEFT ARROW or RIGHT ARROW.


## Idle Display, Home Menu, and User Menus in the Standard Display

The printer’s control panel includes a display, where you can view the printer’s status or change its operating parameters. In this section, you will learn how to navigate through the printer’s menu system and change values for menu items.

**Idle Display** After the printer completes the power-up sequence, it moves to the Idle Display (Figure 5). The printer displays the current firmware version and its IP address.

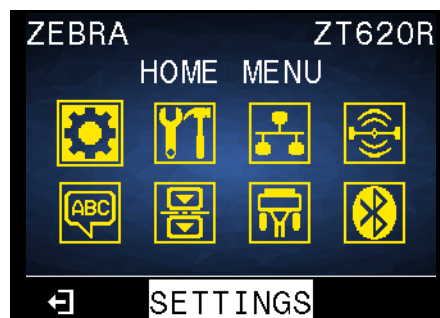
Figure 5 • Idle Display




<b>1</b>	The printer’s current status
<b>2</b>	The printer’s firmware version (top line) and its IP address (bottom line)
	Home menu shortcut

**Home Menu** Use the Home menu (Figure 6) to access the printer’s operating parameters through the eight user menus (see *Adjust Printer Settings on page 102*). Click any of the icons in Figure 6 to go to the descriptions of the menu items for that user menu.

Figure 6 • Home Menu



	Exit and return to the Idle Display (Figure 5).
---	---

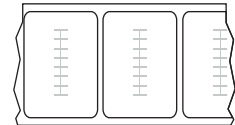
## Types of Media



**Important** • Zebra strongly recommends the use of Zebra-brand supplies for continuous high-quality printing. A wide range of paper, polypropylene, polyester, and vinyl stock has been specifically engineered to enhance the printing capabilities of the printer and to prevent premature printhead wear. To purchase supplies, go to <http://www.zebra.com/supplies>.

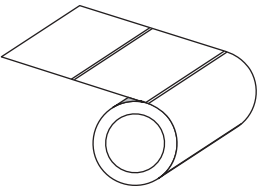
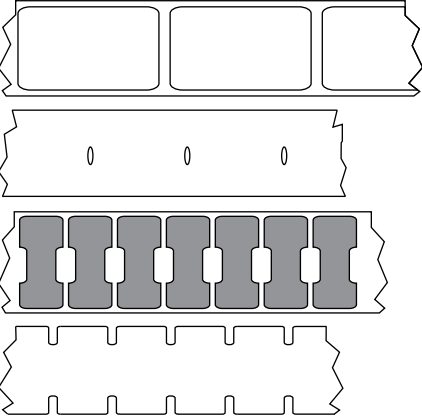
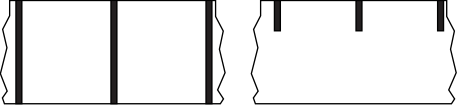
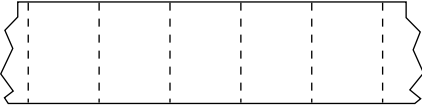
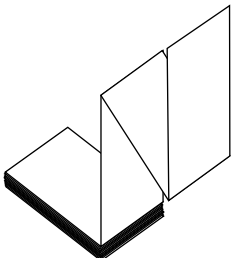
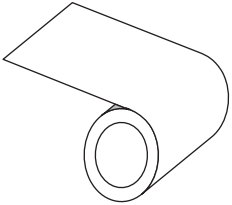
Your printer can use various types of media:

- *Standard media*—Most standard media uses an adhesive backing that sticks individual labels or a continuous length of labels to a liner. Standard media can come on rolls or in a fanfold stack (Table 2).
- *Tag stock*—Tags are usually made from a heavy paper. Tag stock does not have adhesive or a liner, and it is typically perforated between tags. Tag stock can come on rolls or in a fanfold stack (Table 2).
- *Radio frequency identification (RFID) “smart” media*—RFID media can be used in a printer that is equipped with an RFID reader/encoder. RFID labels are made from the same materials and adhesives as non-RFID labels. Each label has an RFID transponder (sometimes called an “inlay”), made of a chip and an antenna, embedded between the label and the liner. The shape of the transponder varies by manufacturer and is visible through the label. All “smart” labels have memory that can be read, and many have memory that can be encoded.



**Important** • Transponder placement within a label depends on the transponder type and the printer model. Make sure that you are using the correct “smart” media for your printer. For more information, refer to the *RFID Programming Guide 3*. A copy of the manual is available at <http://www.zebra.com/manuals> or on the user CD that came with your printer. For transponder placement details, go to <http://www.zebra.com/transponders>.

Table 2 • Roll and Fanfold Media

Media Type	How It Looks	Description
<p><b>Non-Continuous Roll Media</b></p>		<p>Roll media is wound on a core that can be 1 in. to 3 in. (25 to 76 mm) in diameter. Individual labels or tags are separated by one or more of the following methods:</p> <ul style="list-style-type: none"> <li> <p><i>Web media</i> separates labels by gaps, holes, or notches.</p>  </li> <li> <p><i>Black mark media</i> uses pre-printed black marks on the back side of the media to indicate label separations.</p>  </li> <li> <p><i>Perforated media</i> has perforations that allow the labels or tags to be separated from each other easily. The media may also have black marks or other separations between labels or tags.</p>  </li> </ul>
<p><b>Non-Continuous Fanfold Media</b></p>		<p>Fanfold media is folded in a zigzag pattern. Fanfold media can have the same label separations as non-continuous roll media. The separations would fall on or near the folds.</p>
<p><b>Continuous Roll Media</b></p>		<p>Roll media is wound on a core that can be 1 in. to 3 in. (25 to 76 mm) in diameter.</p> <p>Continuous roll media does not have gaps, holes, notches, or black marks to indicate label separations. This allows the image to be printed anywhere on the label. Sometimes a cutter is used to cut apart individual labels.</p>

## Ribbon Overview

Ribbon is a thin film that is coated on one side with wax, resin, or wax resin, which is transferred to the media during the thermal transfer process. The media determines whether you need to use ribbon and how wide the ribbon must be.

When ribbon is used, it must be as wide as or wider than the media being used. If the ribbon is narrower than the media, areas of the printhead are unprotected and subject to premature wear.

### When to Use Ribbon

Thermal transfer media requires ribbon for printing while direct thermal media does not. To determine if ribbon must be used with a particular media, perform a media scratch test.

**To perform a media scratch test, complete these steps:**

1. Scratch the print surface of the media rapidly with your fingernail.
2. Did a black mark appear on the media?

If a black mark...	Then the media is...
Does not appear on the media	<b>Thermal transfer.</b> A ribbon is required.
Appears on the media	<b>Direct thermal.</b> No ribbon is required.

### Coated Side of Ribbon

Ribbon can be wound with the coated side on the inside or outside (Figure 7). This printer can only use ribbon that is coated on the outside unless you purchase and install the optional spindle that allows ribbon that is coated on the inside. Contact your authorized Zebra reseller for ordering information.

If you are unsure which side of a particular roll of ribbon is coated, perform an adhesive test or a ribbon scratch test to determine which side is coated.

**Figure 7 • Ribbon Coated on Outside or Inside**







## Adhesive Test

If you have labels available, perform the adhesive test to determine which side of a ribbon is coated. This method works well for ribbon that is already installed.

### To perform an adhesive test, complete these steps:

1. Peel a label from its liner.
2. Press a corner of the sticky side of the label to the outer surface of the roll of ribbon.
3. Peel the label off of the ribbon.
4. Observe the results. Did flakes or particles of ink from the ribbon adhere to the label?

If ink from the ribbon...	Then...
Adhered to the label	The ribbon is coated on the outside and <b>can</b> be used in this printer. 
Did not adhere to the label	The ribbon is coated on the inside and <b>cannot</b> be used in the standard printer. An optional ribbon spindle is available to use ribbon that is coated on the inside. Contact your authorized Zebra reseller for ordering information.  To verify this result, repeat the test on the other surface of the roll of ribbon.



## Ribbon Scratch Test

Perform the ribbon scratch test when labels are unavailable.

### To perform a ribbon scratch test, complete these steps:

1. Unroll a short length of ribbon.
2. Place the unrolled section of ribbon on a piece of paper with the outer surface of the ribbon in contact with the paper.
3. Scratch the inner surface of the unrolled ribbon with your fingernail.
4. Lift the ribbon from the paper.

5. Observe the results. Did the ribbon leave a mark on the paper?

If the ribbon...	Then...
Left a mark on the paper	<p>The ribbon is coated on the outside and <b>can</b> be used in this printer.</p> 
Did not leave a mark on the paper	<p>The ribbon is coated on the inside and <b>cannot</b> be used in the standard printer. An optional ribbon spindle is available to use ribbon that is coated on the inside. Contact your authorized Zebra reseller for ordering information.</p> <p>To verify this result, repeat the test on the other surface of the roll of ribbon.</p> 

# Printer Setup and Operation

This section assists the technician with initial setup and operation of the printer.

## Contents

Handling the Printer . . . . .	28
Unpack and Inspect the Printer . . . . .	28
Store the Printer . . . . .	28
Service the Printer . . . . .	28
Ship the Printer . . . . .	29
Select a Location for the Printer . . . . .	30
Select a Print Mode . . . . .	31
Load the Media . . . . .	32
Insert the Media into the Printer . . . . .	32
Tear-Off Mode . . . . .	35
Peel-Off Mode or Applicator Mode . . . . .	39
Rewind Mode . . . . .	46
Cutter Mode or Delayed Cut Mode . . . . .	53
Load the Ribbon . . . . .	58
Install the Printer Driver and Connect the Printer to the Computer . . . . .	62
Install Zebra Setup Utilities . . . . .	62
Connect a Computer to the Printer's USB Port . . . . .	71
Connect a Computer to the Printer's Serial or Parallel Port . . . . .	75
Connect to Your Network through the Printer's Ethernet Port . . . . .	83
Connect the Printer to Your Wireless Network . . . . .	91
Print a Test Label and Make Adjustments . . . . .	97

## Handling the Printer

This section describes how to handle your printer.

### Unpack and Inspect the Printer

When you receive the printer, immediately unpack it and inspect for shipping damage.

- Save all packing materials.
- Check all exterior surfaces for damage.
- Raise the media door, and inspect the media compartment for damage to components.

If you discover shipping damage upon inspection:

- Immediately notify the shipping company and file a damage report.
- Keep all packaging material for shipping company inspection.
- Notify your authorized Zebra reseller



**Important** • Zebra Technologies is not responsible for any damage incurred during the shipment of the equipment and will not repair this damage under warranty.

### Store the Printer

If you are not placing the printer into immediate operation, repackage it using the original packing materials. You may store the printer under the following conditions:

- Temperature: –40°F to 140°F (–40° to 60°C)
- Relative humidity: 5% to 85% non-condensing

### Service the Printer

If you have a problem using the printer, contact your facility's technical or systems support. If there is a problem with the printer, they will contact the Zebra Global Customer Support Center at: <http://www.zebra.com/support>.

When contacting Zebra Global Customer Support, have the following information available:

- Serial number of the unit
- Model number or product name
- Firmware version number

Zebra responds to calls by e-mail, telephone, or fax within the time limits set forth in service agreements. If your problem cannot be solved by Zebra Global Customer Support, you may need to return your equipment for servicing and will be given specific directions.

If you purchased your product from a Zebra business partner, please contact that business partner for support.

## Ship the Printer

Zebra is not responsible for any damages incurred during shipment if an approved shipping container is not used. Shipping the units improperly can possibly void the warranty.

If you must ship the printer:

- Turn off (●) the printer, and disconnect all cables.
- Remove any media, ribbon, or loose objects from the printer interior.
- Close the printhead.
- Carefully pack the printer into the original container or a suitable alternate container to avoid damage during transit. A shipping container can be purchased from Zebra if the original packaging has been lost or destroyed.

## Select a Location for the Printer

Select a location for the printer that meets these conditions:

- **Surface:** The surface where the printer will be located must be solid, level, and of sufficient size and strength to hold the printer.
- **Space:** The area where the printer will be located must include enough space for ventilation and for accessing the printer components and connectors. To allow for proper ventilation and cooling, leave open space on all sides of the printer.



---

**Caution** • Do not place any padding or cushioning material behind or under the printer because this restricts air flow and could cause the printer to overheat.

---

- **Power:** The printer should be within a short distance of an appropriate power outlet that is easily accessible.
- **Data communication interfaces:** The printer must be within range of your WLAN radio (if applicable) or within an acceptable range for other connectors to reach your data source (usually a computer). For more information on maximum cable lengths and configuration, see [General Specifications on page 276](#).
- **Operating conditions:** Your printer is designed to function in a wide range of environmental and electrical conditions, including a warehouse or factory floor. [Table 3](#) shows the temperature and relative humidity requirements for the printer when it is operating.

**Table 3 • Operating Temperature and Humidity**

Mode	Temperature	Relative Humidity
Thermal Transfer	40° to 104°F (5° to 40°C)	20 to 85% non-condensing
Direct Thermal	32° to 104°F (0° to 40°C)	

## Select a Print Mode

Use a print mode that matches the media being used and the printer options available. The media path is the same for roll and fanfold media. To set the printer to use an available print mode, see [PRINT MODE on page 111](#).

**Table 4 • Print Modes and Printer Options**

Print Mode	Description
TEAR OFF	<i>This mode (default) can be used with any printer options and most media types.</i> The printer prints label formats as it receives them. The printer operator can tear off the printed labels any time after they print.
PEEL-OFF	<i>This mode can be used if the printer has a rewind option.</i> The printer peels the label from the liner during printing and then pauses until the label is removed. The backing is wound on the rewind spindle without using the rewind plate.
REWIND	<i>This mode can be used only if the printer has a rewind option.</i> The printer prints without pausing between labels. The media is wound onto a core after printing. The rewind plate is used to keep the labels from separating from the backing.
CUTTER	<i>This mode can be used only if the printer has a cutter option.</i> The printer cuts between labels after each one is printed.
DELAYED CUT	<i>This mode can be used only if the printer has a cutter option.</i> The printer waits for a delayed cut ZPL command (~JK) before it cuts the last printed label.
LINERLESS PEEL*	* Reserved for future use.
LINERLESS REWIND*	
LINERLESS TEAR*	
APPLICATOR	<i>This mode is for use with a machine that applies labels.</i> The printer prints when it receives a signal from the applicator. Refer to the Advanced User Information section of the Maintenance Manual for additional information about the applicator interface.

## Load the Media

Use the instructions in this section for loading roll or fanfold media in the appropriate print mode for your needs.

---

**Caution** • While performing any tasks near an open printhead, remove all rings, watches, hanging necklaces, identification badges, or other metallic objects that could touch the printhead. You are not required to turn off the printer power when working near an open printhead, but Zebra recommends it as a precaution. If you turn off the power, you will lose all temporary settings, such as label formats, and you must reload them before you resume printing.

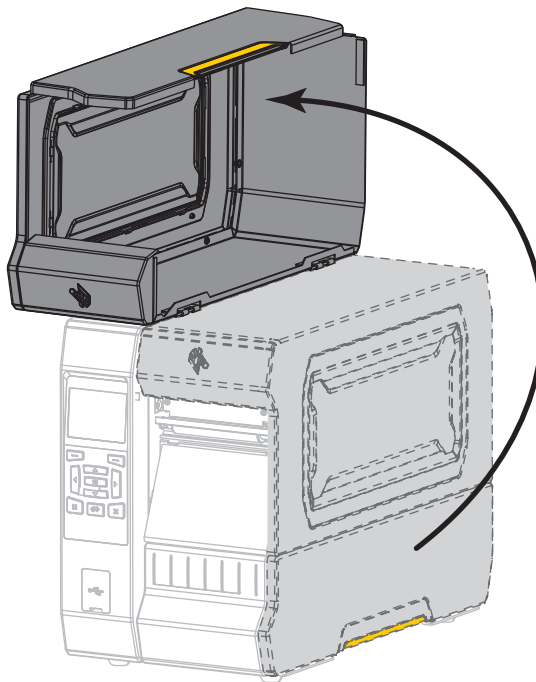
---

### Insert the Media into the Printer

The majority of the illustrations in this section show roll media because the media loading path is the same for both roll and fanfold media.

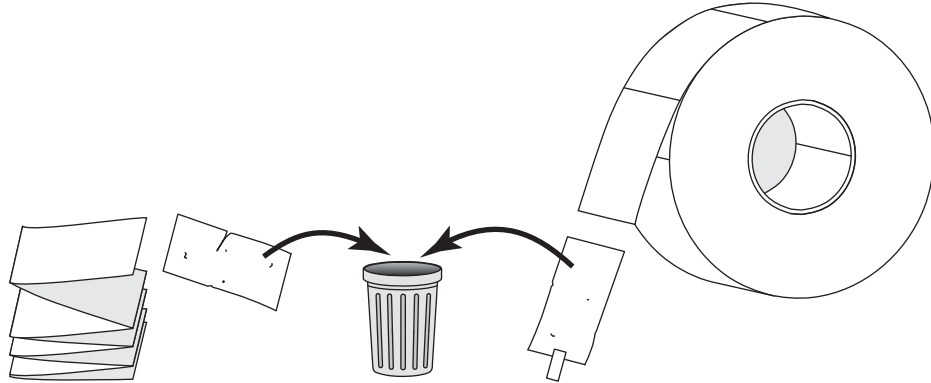
#### To load media, complete these steps:

1. Raise the media door.





- Remove and discard any tags or labels that are torn or dirty or that are held by adhesives or tape.

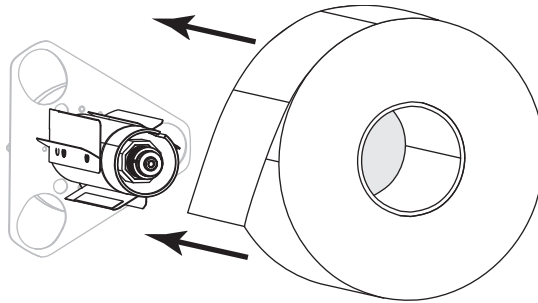


- Insert roll or fanfold media into the printer.



### Roll Media

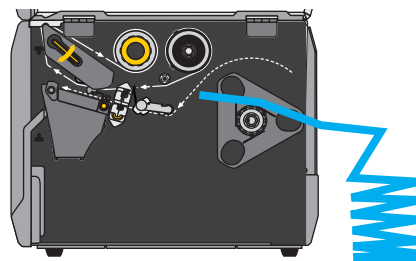
Place the roll of media on the media supply spindle. Push the roll as far back as it will go.



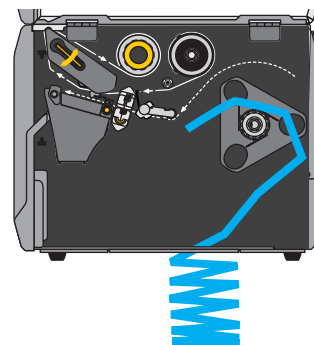
### Fanfold Media

Fanfold media can be stored behind or under the printer. Depending on where the media is stored, feed the media from behind or through the bottom access slot.

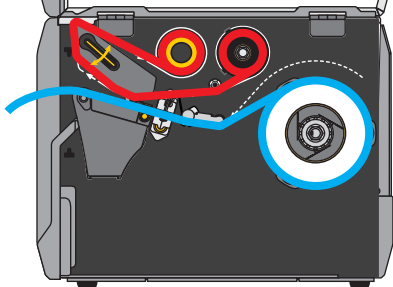
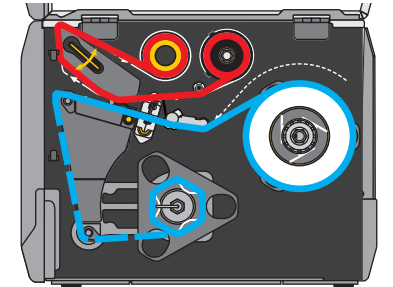
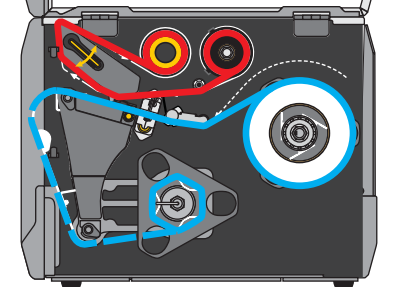
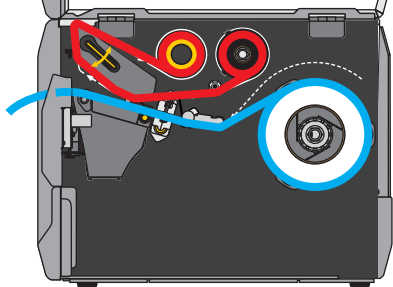
#### Rear Feed



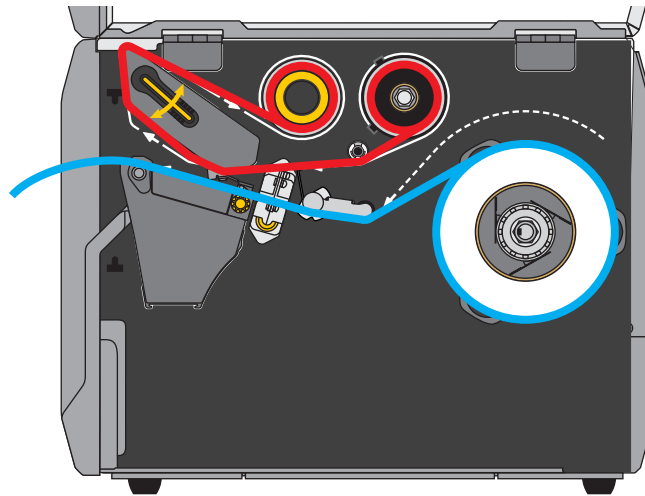
#### Bottom Feed



4. In which print mode will your printer be operating? (For more information on print modes, see *Select a Print Mode* on page 31.)

<b>If using...</b>	<b>Then...</b>
<p><b>TEAR OFF</b></p> 	<p>Continue with <i>Tear-Off Mode</i> on page 35.</p>
<p><b>PEEL-OFF</b> or <b>APPLICATOR</b></p> 	<p>Continue with <i>Peel-Off Mode</i> or <i>Applicator Mode</i> on page 39.</p>
<p><b>REWIND</b></p> 	<p>Continue with <i>Rewind Mode</i> on page 46.</p>
<p><b>CUTTER</b> or <b>DELAYED CUT</b></p> 	<p>Continue with <i>Cutter Mode</i> or <i>Delayed Cut Mode</i> on page 53.</p>

## Tear-Off Mode

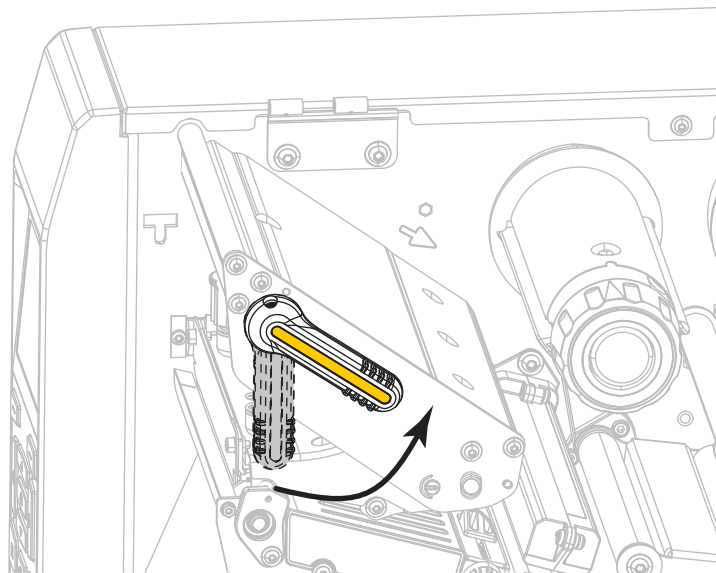


1. If you have not already done so, follow the instructions in the section *Insert the Media into the Printer* on page 32.

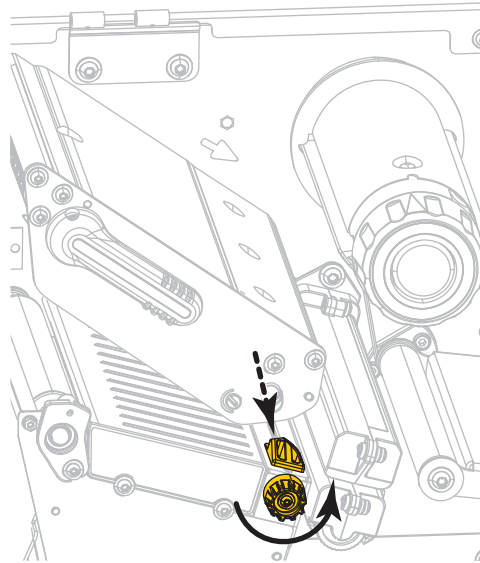


2. **Caution** • The printhead may be hot and could cause severe burns. Allow the printhead to cool.

Open the printhead assembly by rotating the printhead-open lever upward.

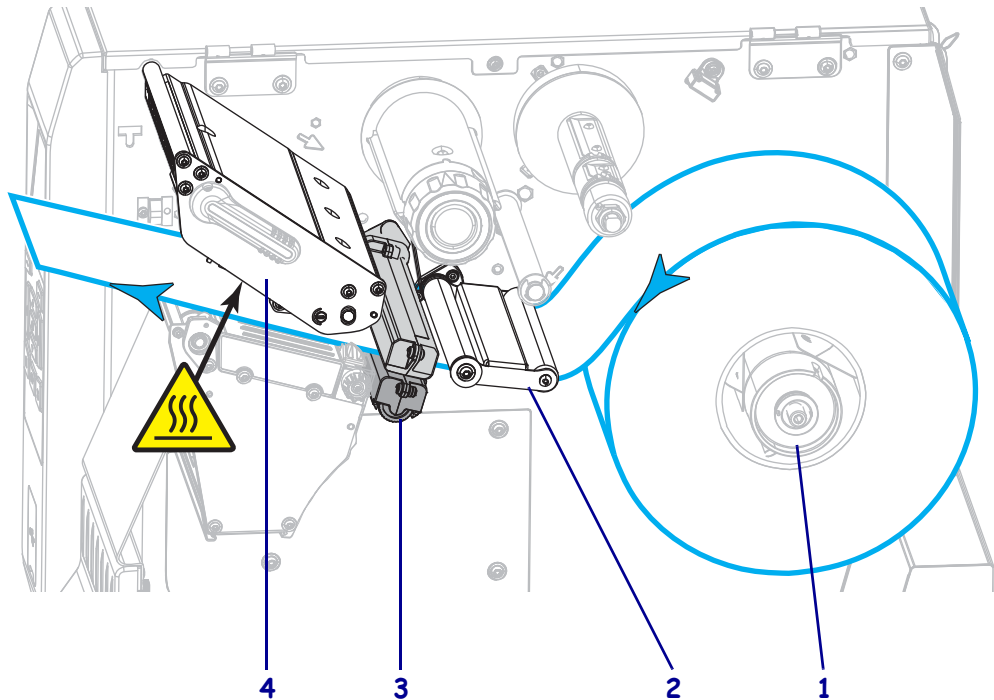


3. Rotate the media guide adjustment knob as shown until the media guide slides all the way out.

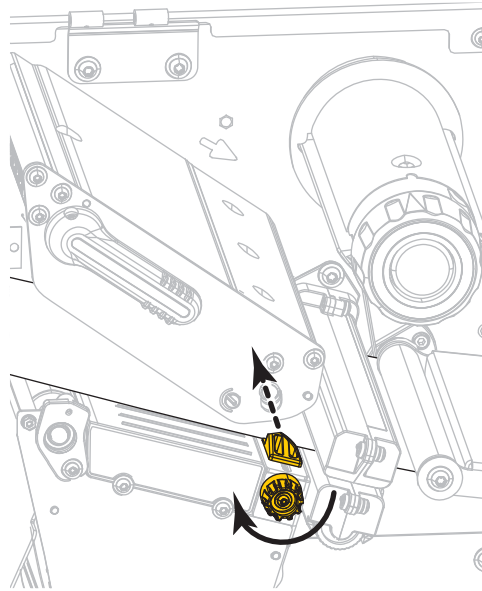


4. **Caution** • The printhead may be hot and could cause severe burns. Allow the printhead to cool.

From the media spindle (1), feed the media under the dancer assembly (2), through the media sensor (3), and under the printhead assembly (4). Slide the media back until it touches the inside back wall of the media sensor.



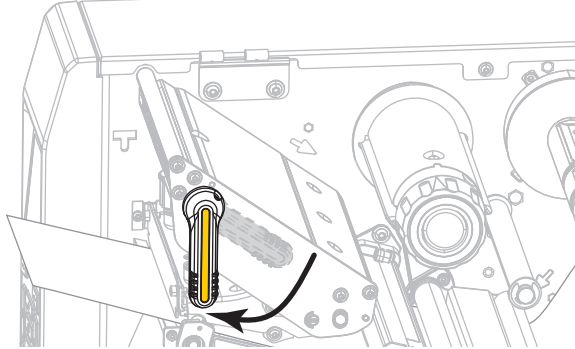
5. Rotate the media guide adjustment knob as shown until the media guide just touches the edge of the media.



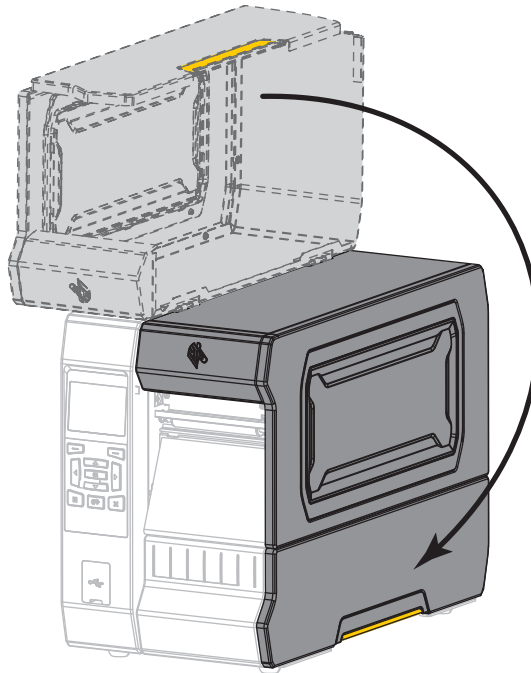
6. Does the media that you are using require ribbon for printing? If you are not sure, see [When to Use Ribbon on page 24](#).

If using...	Then...
Direct Thermal media (no ribbon needed)	Continue with <a href="#">step 7</a> .
Thermal Transfer media (ribbon needed)	<ol style="list-style-type: none"> <li>If you have not already done so, load ribbon in the printer. See <a href="#">Load the Ribbon on page 58</a>.</li> <li>Continue with <a href="#">step 7</a>.</li> </ol>

7. Rotate the printhead-open lever downward until it locks the printhead in place.



8. Close the media door.



9. Set the printer to the appropriate print mode (see [PRINT MODE on page 111](#)).
10. Press PAUSE to exit pause mode and enable printing.  
The printer may perform a label calibration or feed a label, depending on your settings.
11. For best results, calibrate the printer. See [Calibrate the Ribbon and Media Sensors on page 192](#).
12. If desired, print a configuration or other label to verify that your printer is able to print.  
(See [PRINT INFORMATION on page 120](#).)

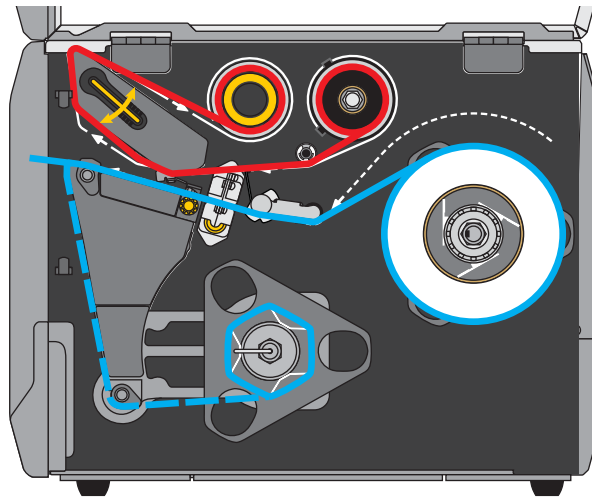
**Media loading in Tear-Off mode is complete.**

**ULINE**

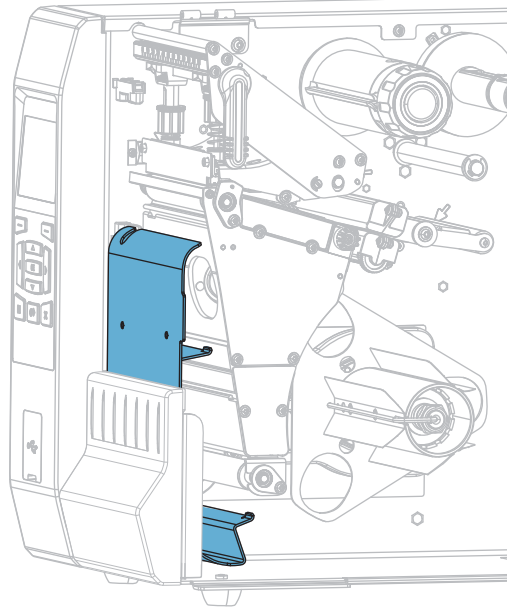
1-800-295-5510

0720 IH-7378VND

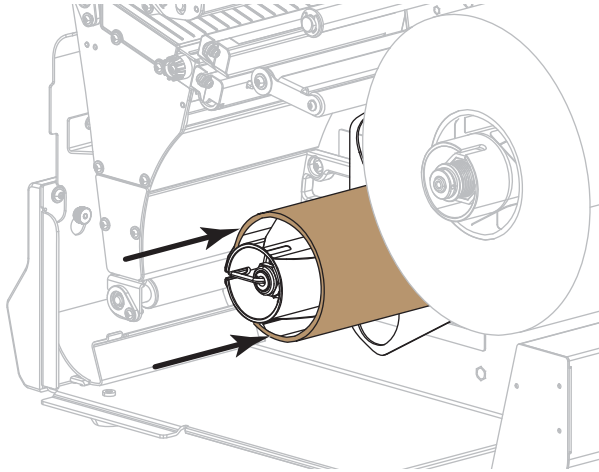
## Peel-Off Mode or Applicator Mode



1. If you have not already done so, follow the instructions in the section *Insert the Media into the Printer* on page 32.
2. If necessary, install the rewind/liner take-up plate in the peel-off position as shown. See *Install the Rewind/Liner Take-Up Plate* on page 207 for instructions.

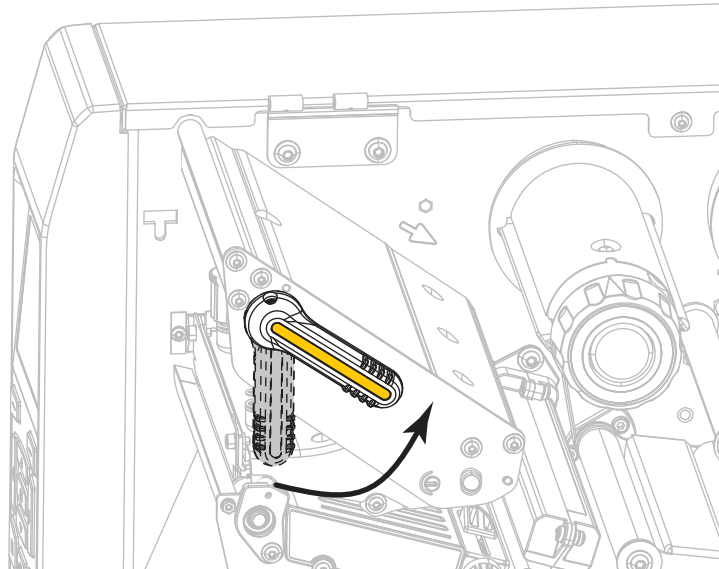


3. If desired, slide a core onto the rewind spindle until it is flush against the guide plate. A core is not necessary for liner take-up.



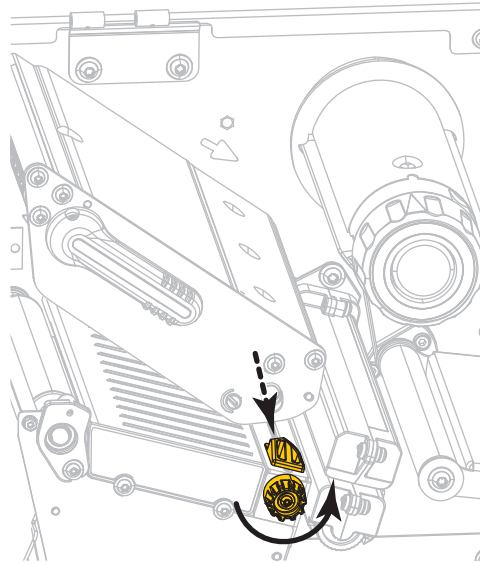
- 
4. **Caution** • The printhead may be hot and could cause severe burns. Allow the printhead to cool.
- 

Open the printhead assembly by rotating the printhead-open lever upward.



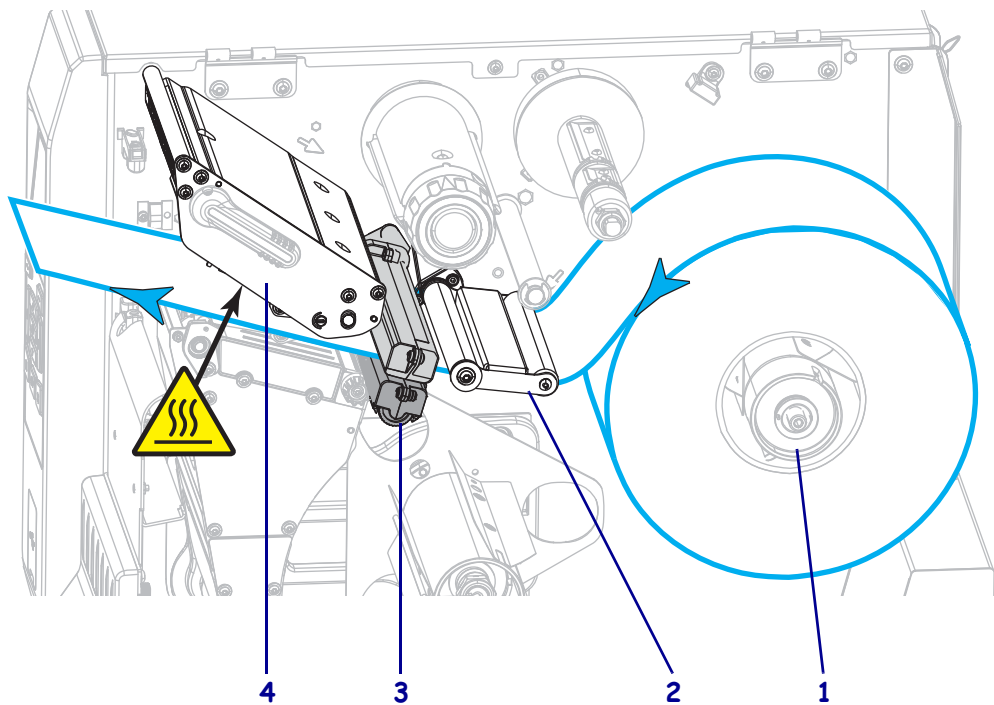


5. Rotate the media guide adjustment knob as shown until the media guide slides all the way out.

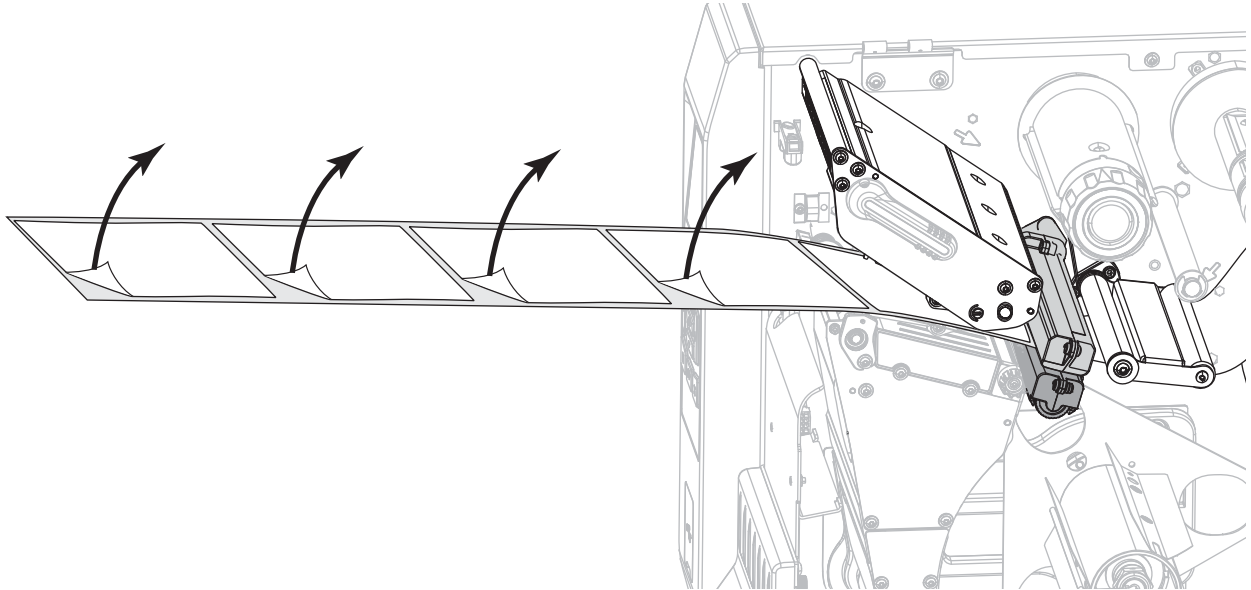


6. **Caution** • The printhead may be hot and could cause severe burns. Allow the printhead to cool.

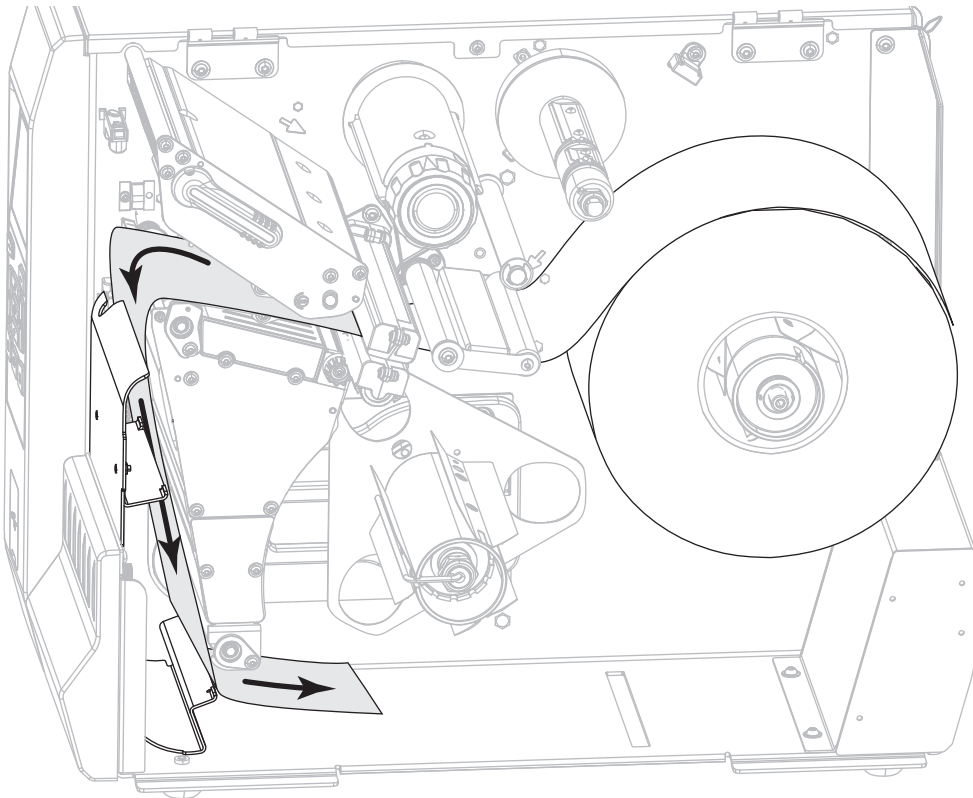
From the media spindle (1), feed the media under the dancer assembly (2), through the media sensor (3), and under the printhead assembly (4). Slide the media back until it touches the inside back wall of the media sensor.



7. Extend approximately 18 in. (500 mm) of media out of the printer. Remove and discard the labels from this exposed media, leaving just the liner.

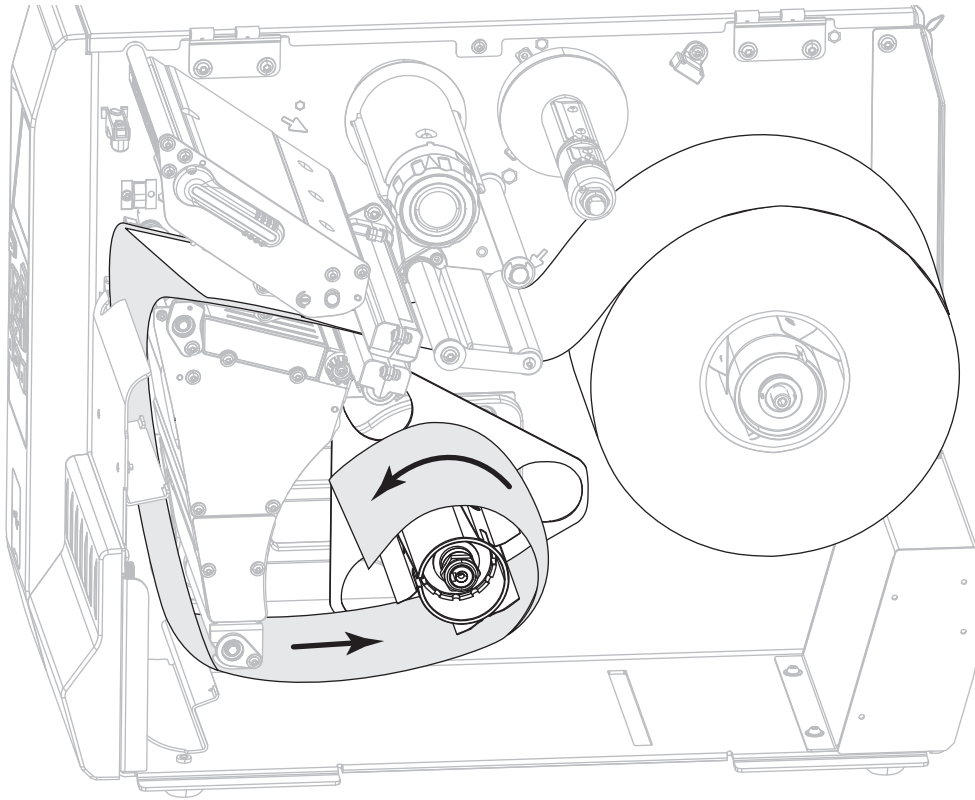


8. Feed the liner behind the rewind/liner take-up plate.

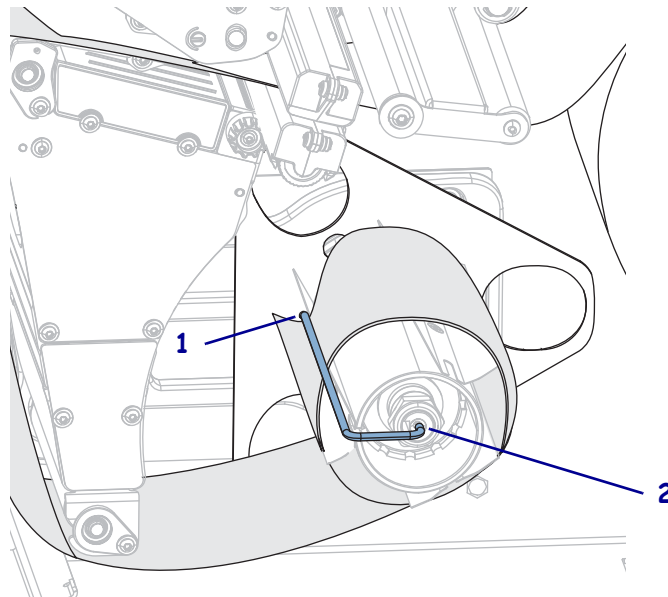


9. Remove the hook from the rewind spindle.

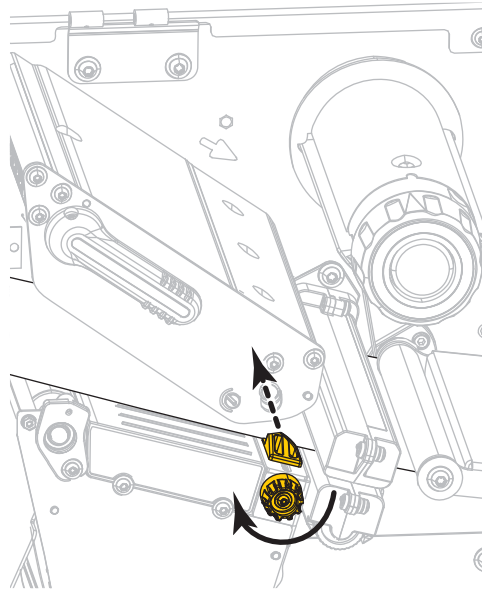
10. Wind the liner around the rewind spindle as shown. Rotate the rewind spindle several turns to tighten the liner and remove any slack.



11. Reinstall the spindle hook over the liner. Insert the long end of the hook into the small hole on the guide plate (1). Insert the short end of the hook into the hole in the center of the adjusting nut (2).



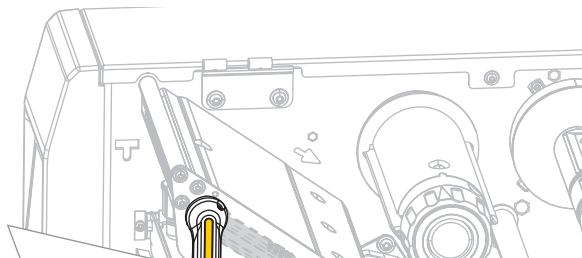
12. Rotate the media guide adjustment knob as shown until the media guide just touches the edge of the media.



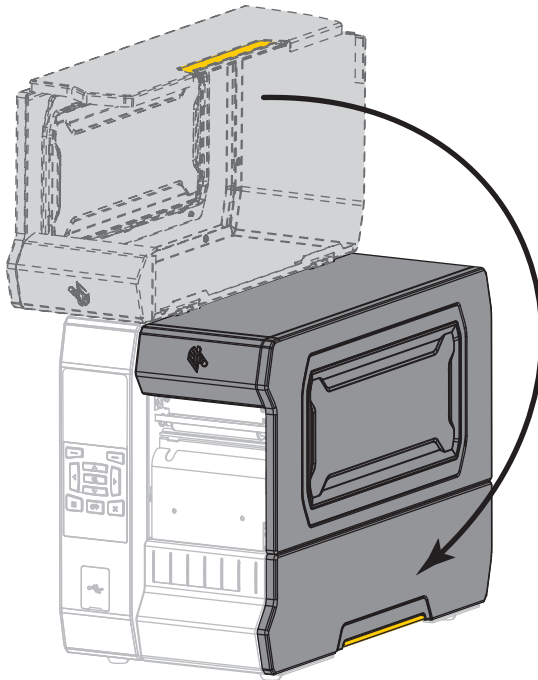
13. Does the media that you are using require ribbon for printing? If you are not sure, see [When to Use Ribbon on page 24](#).

If using...	Then...
Direct Thermal media (no ribbon needed)	Continue with <a href="#">step 14</a> .
Thermal Transfer media (ribbon needed)	<p><b>a.</b> If you have not already done so, load ribbon in the printer. See <a href="#">Load the Ribbon on page 58</a>.</p> <p><b>b.</b> Continue with <a href="#">step 14</a>.</p>

14. Rotate the printhead-open lever downward until it locks the printhead in place.



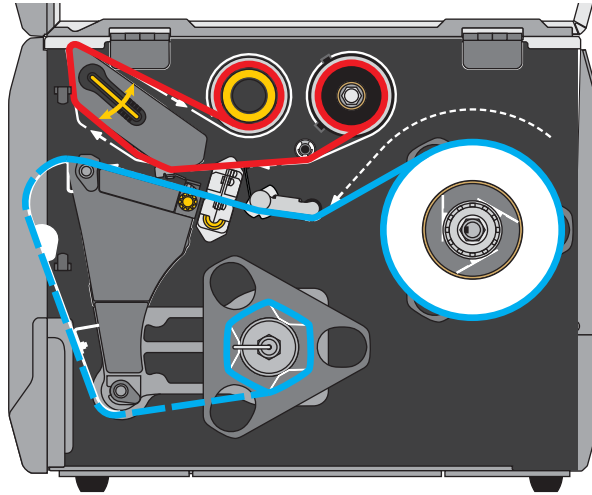
15. Close the media door.



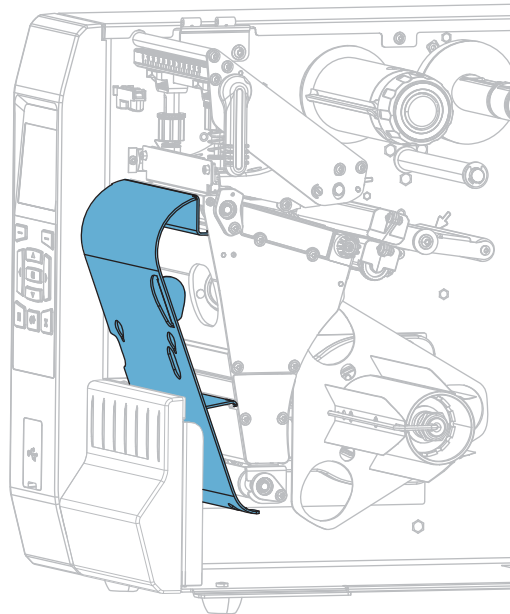
16. Set the printer to the appropriate print mode (for more information, see [PRINT MODE](#) on page 111).
17. Press PAUSE to exit pause mode and enable printing.  
The printer may perform a label calibration or feed a label, depending on your settings.
18. For best results, calibrate the printer. See [Calibrate the Ribbon and Media Sensors](#) on page 192.
19. If desired, print a configuration or other label to verify that your printer is able to print.  
(See [PRINT INFORMATION](#) on page 120.)

**Media loading in Peel-Off mode is complete.**

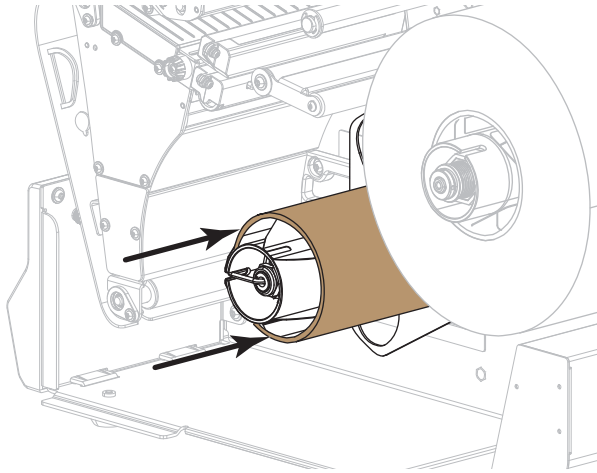
## Rewind Mode



1. If you have not already done so, follow the instructions in the section *Insert the Media into the Printer* on page 32.
2. If necessary, install the rewind/liner take-up plate in the rewind position as shown. See *Install the Rewind/Liner Take-Up Plate* on page 207 for instructions.

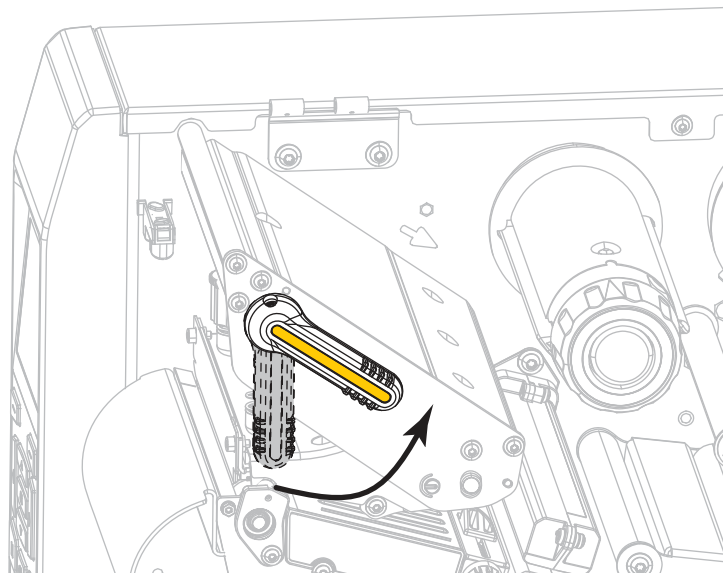


- Slide a core onto the rewind spindle until it is flush against the guide plate.

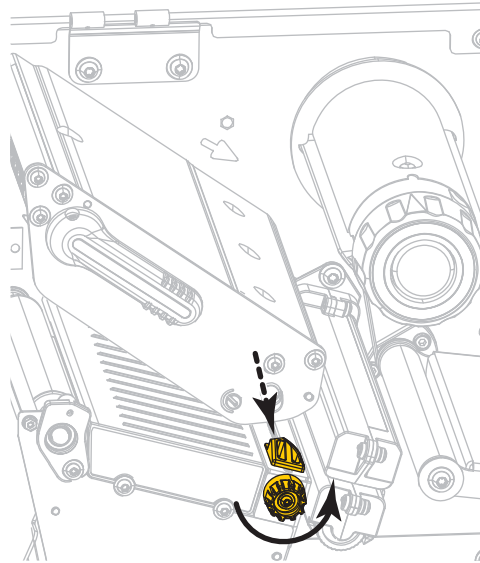


- Caution** • The printhead may be hot and could cause severe burns. Allow the printhead to cool.

Open the printhead assembly by rotating the printhead-open lever upward.

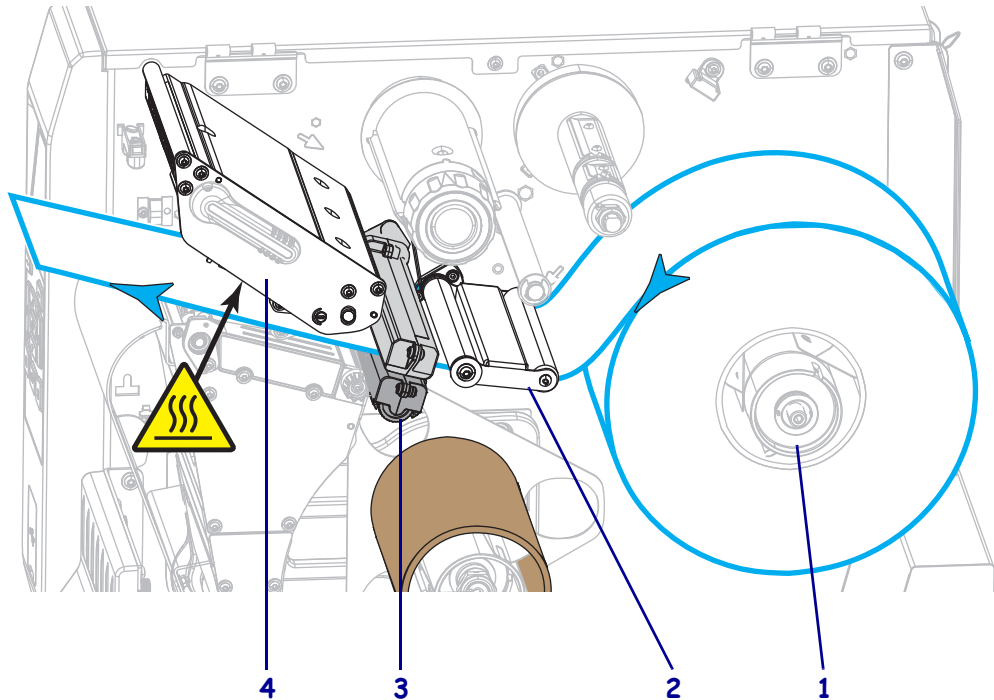


5. Rotate the media guide adjustment knob as shown until the media guide slides all the way out.



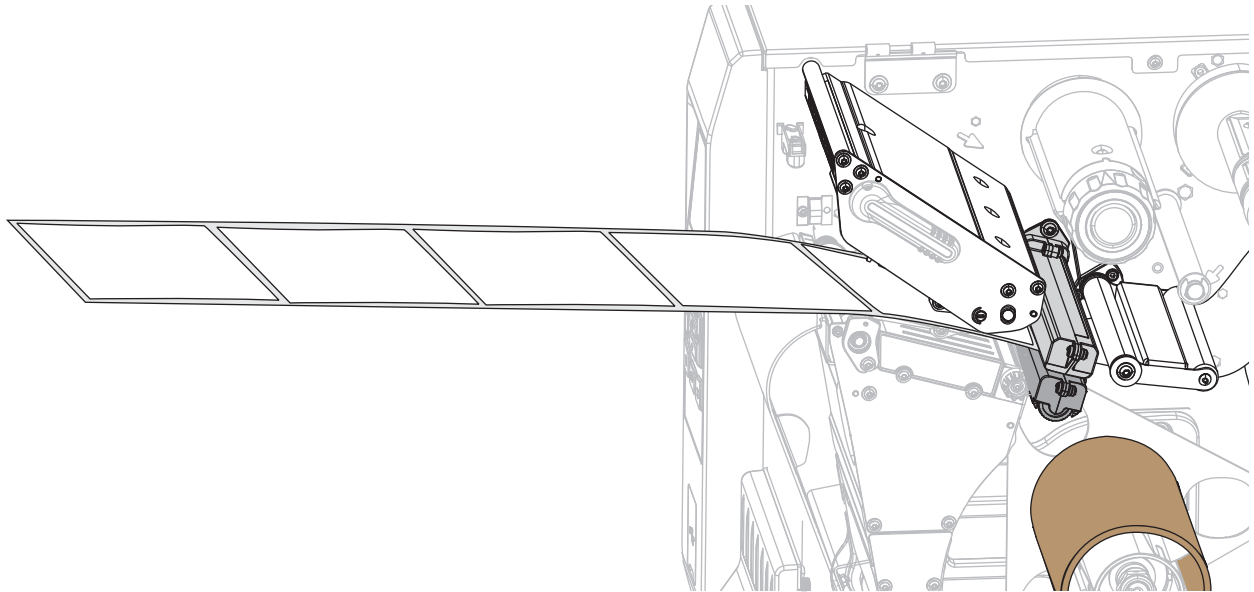
6. **Caution** • The printhead may be hot and could cause severe burns. Allow the printhead to cool.

From the media spindle (1), feed the media under the dancer assembly (2), through the media sensor (3), and under the printhead assembly (4). Slide the media back until it touches the inside back wall of the media sensor.

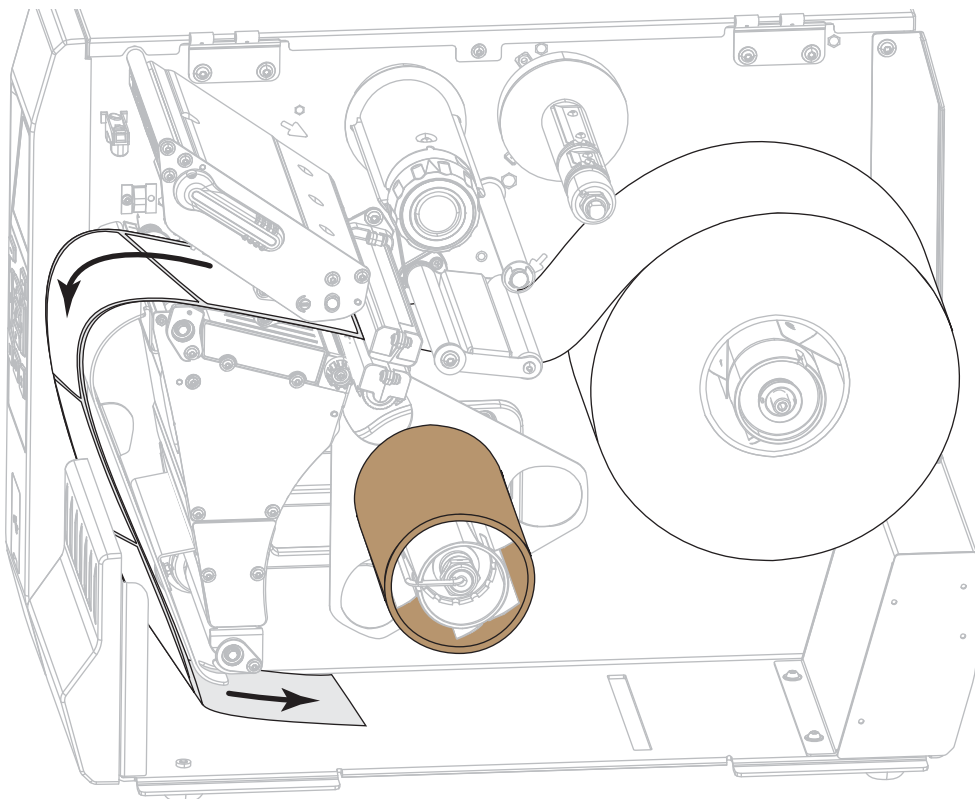




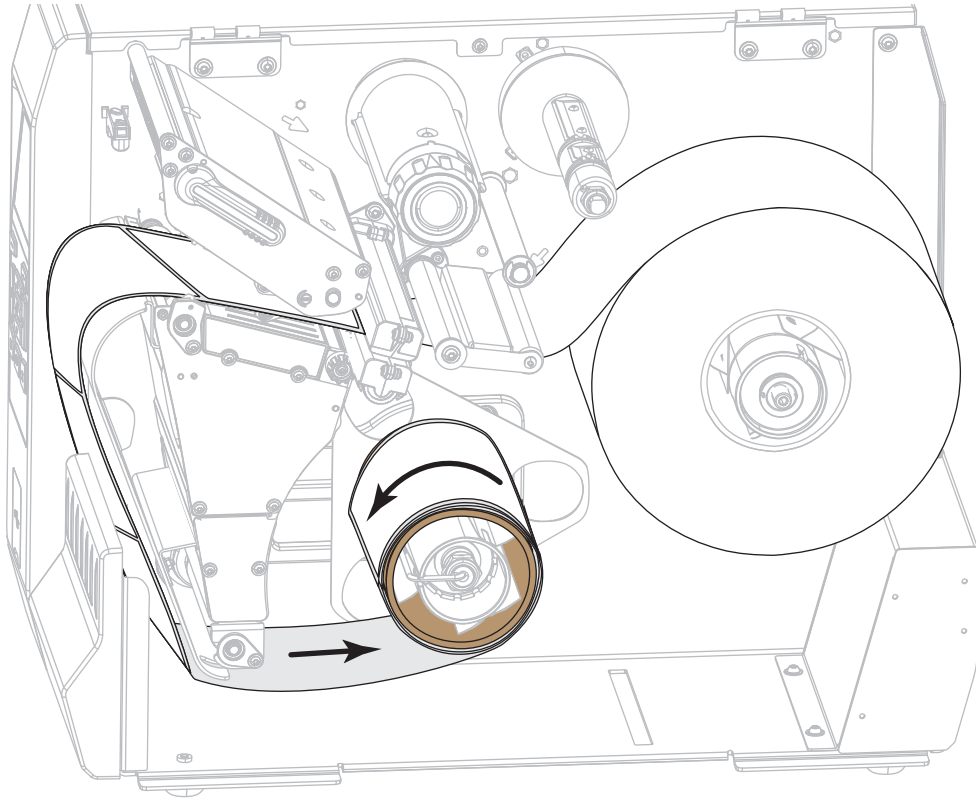
7. Extend approximately 18 in. (500 mm) of media out of the printer.



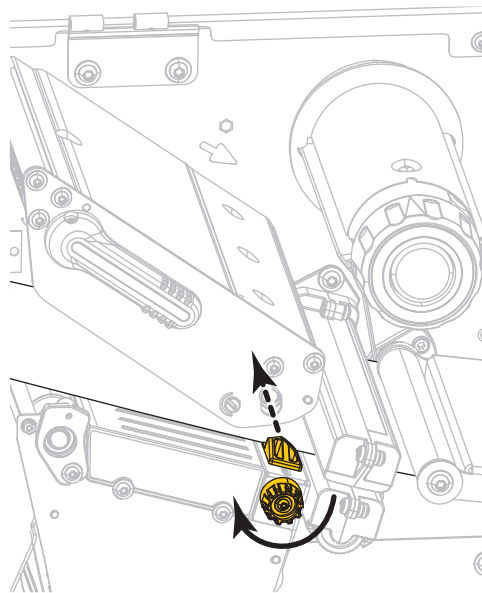
8. Feed the media over the rewind/liner take-up plate.



9. Wind the media around the rewind spindle as shown. Rotate the rewind spindle several turns to tighten the media and remove any slack.



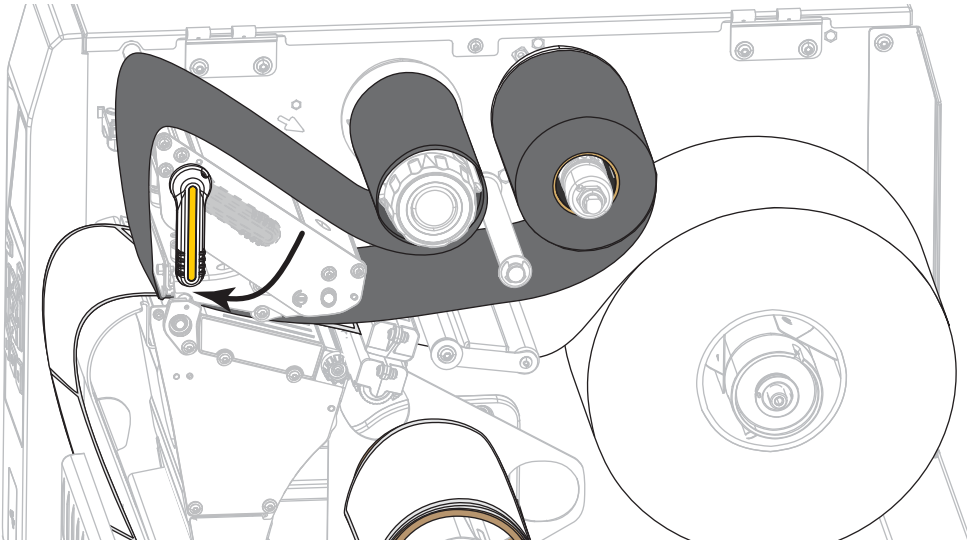
10. Rotate the media guide adjustment knob as shown until the media guide just touches the edge of the media.



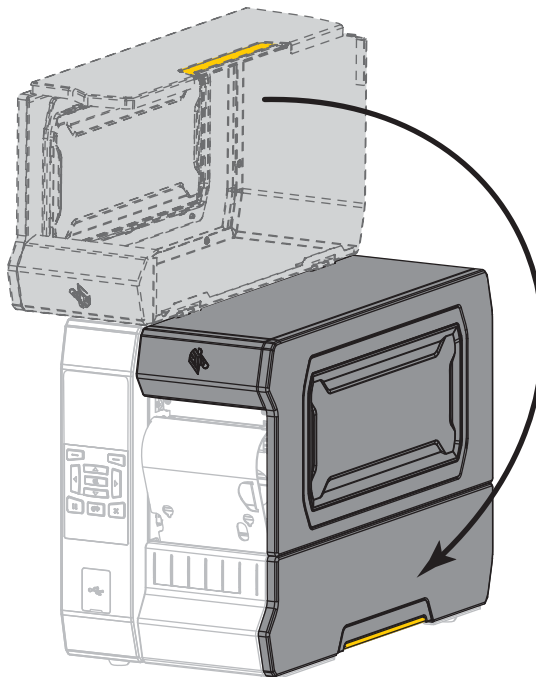
11. Does the media that you are using require ribbon for printing? If you are not sure, see *When to Use Ribbon* on page 24.

If using...	Then...
Direct Thermal media (no ribbon needed)	Continue with <a href="#">step 12</a> .
Thermal Transfer media (ribbon needed)	<p>a. If you have not already done so, load ribbon in the printer. See <i>Load the Ribbon</i> on page 58.</p> <p>b. Continue with <a href="#">step 12</a>.</p>

12. Rotate the printhead-open lever downward until it locks the printhead in place.



13. Close the media door.



**ULINE**

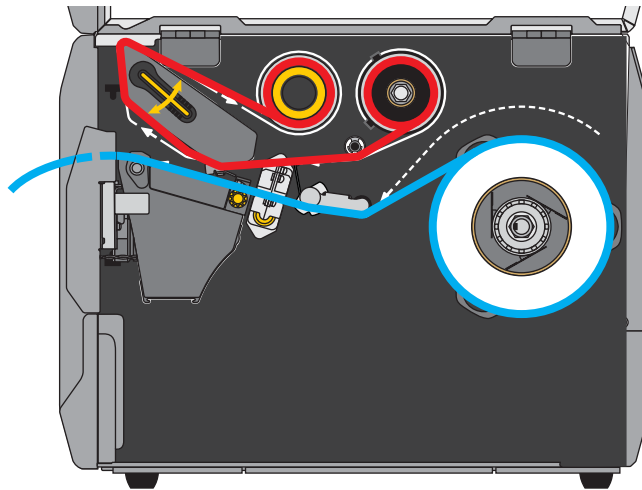
1-800-295-5510

0720 IH-7378VND

14. Set the printer to Rewind mode (for more information, see [PRINT MODE on page 111](#)).
15. Press PAUSE to exit pause mode and enable printing.  
The printer may perform a label calibration or feed a label, depending on your settings.
16. For best results, calibrate the printer. See [Calibrate the Ribbon and Media Sensors on page 192](#).
17. If desired, print a configuration or other label to verify that your printer is able to print.  
(See [PRINT INFORMATION on page 120](#).)

**Media loading in Rewind mode is complete.**

## Cutter Mode or Delayed Cut Mode

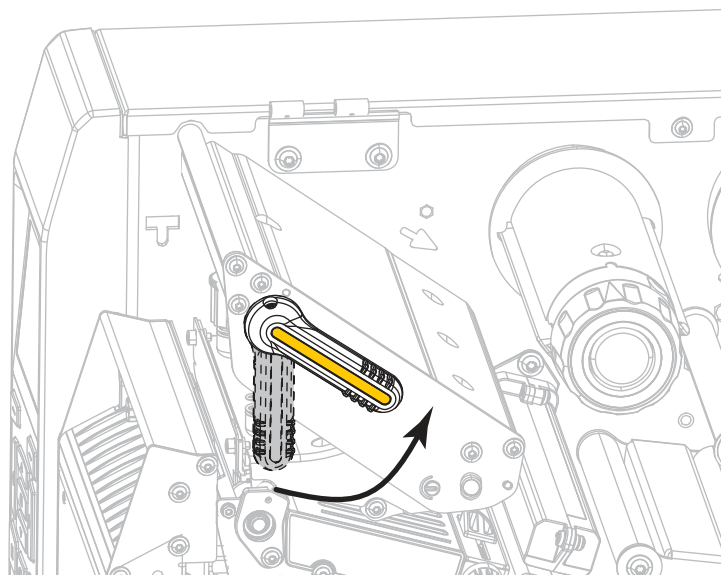


1. If you have not already done so, follow the instructions in the section *Insert the Media into the Printer* on page 32.

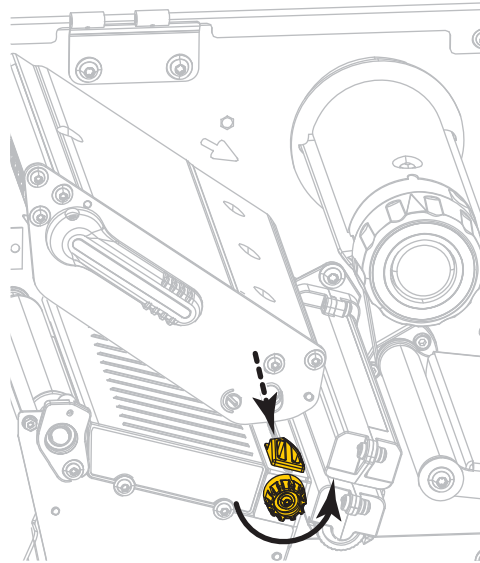


2. **Caution** • The printhead may be hot and could cause severe burns. Allow the printhead to cool.

Open the printhead assembly by rotating the printhead-open lever upward.

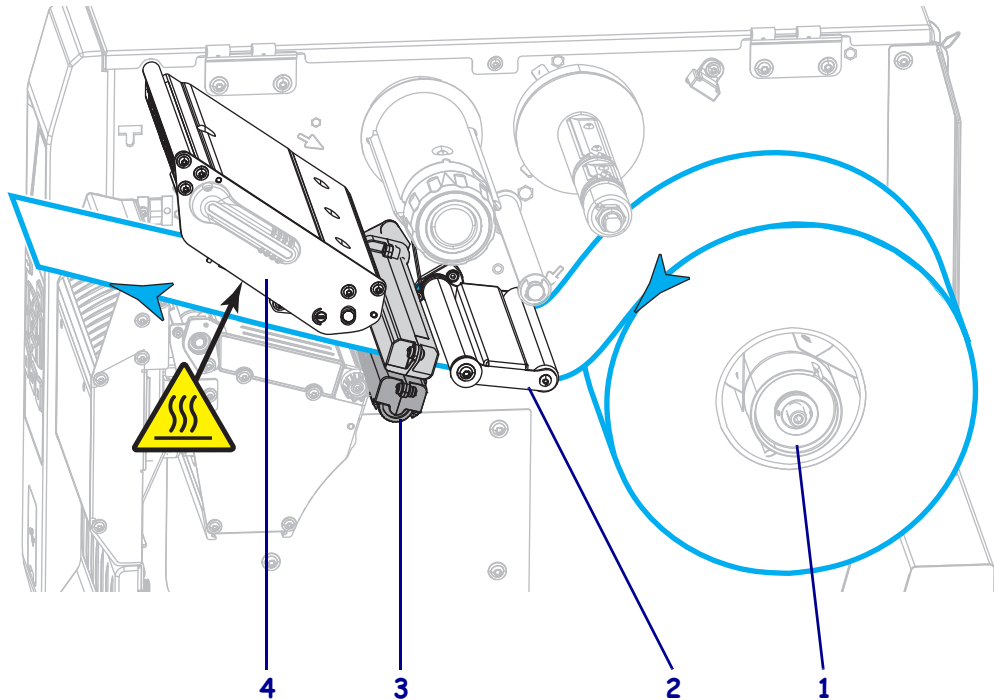


3. Rotate the media guide adjustment knob as shown until the media guide slides all the way out.



4. **Caution** • The printhead may be hot and could cause severe burns. Allow the printhead to cool.

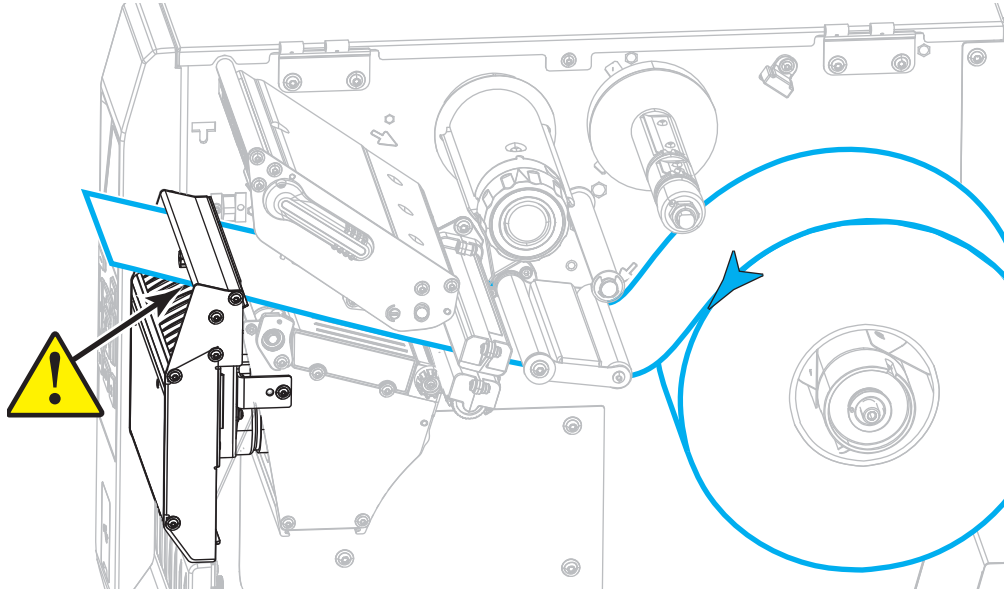
From the media spindle (1), feed the media under the dancer assembly (2), through the media sensor (3), and under the printhead assembly (4). Slide the media back until it touches the inside back wall of the media sensor.



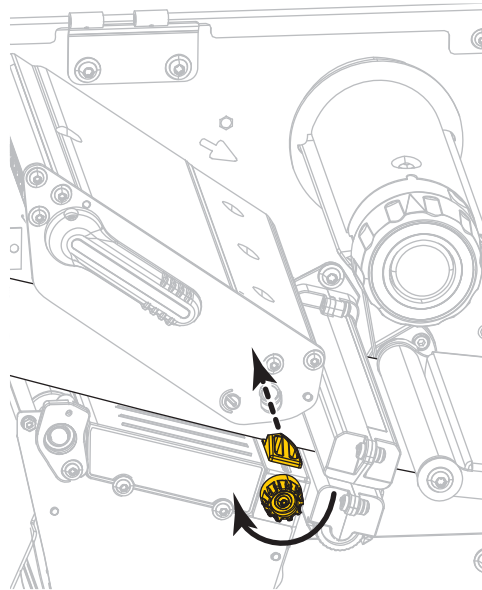


5. **Caution** • The cutter blade is sharp. Do not touch or rub the blade with your fingers.

Feed the media through the cutter.



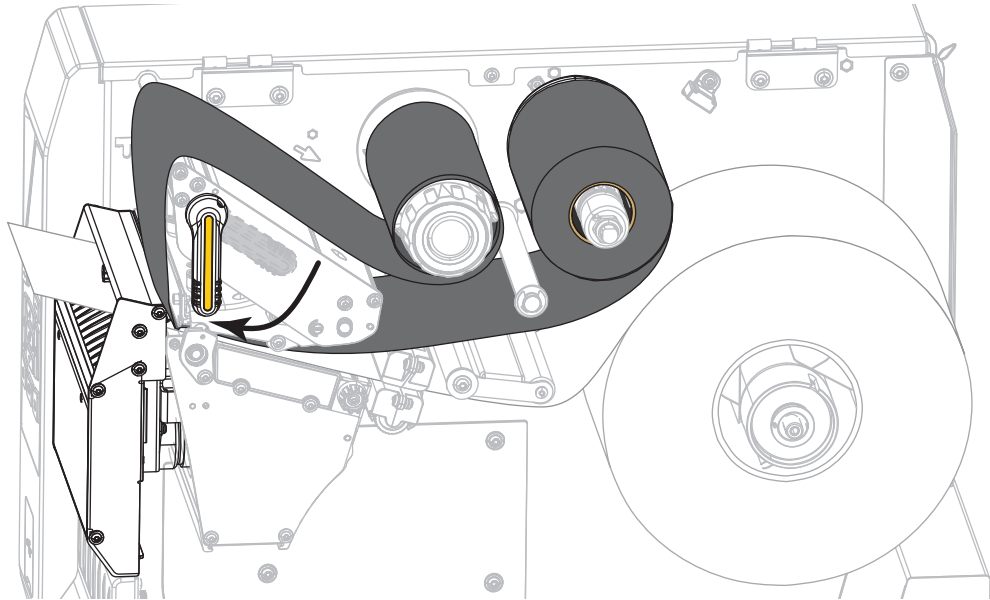
6. Rotate the media guide adjustment knob as shown until the media guide just touches the edge of the media.



7. Does the media that you are using require ribbon for printing? If you are not sure, see *When to Use Ribbon* on page 24.

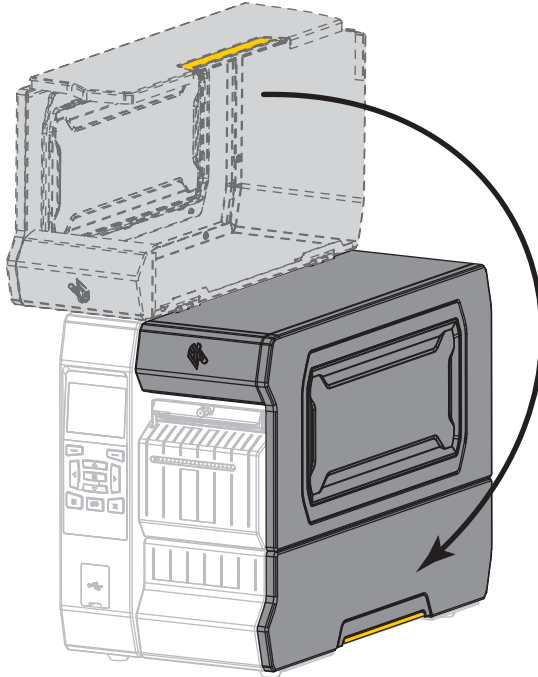
<b>If using...</b>	<b>Then...</b>
Direct Thermal media (no ribbon needed)	Continue with <a href="#">step 8</a> .
Thermal Transfer media (ribbon needed)	<b>a.</b> If you have not already done so, load ribbon in the printer. See <i>Load the Ribbon</i> on page 58. <b>b.</b> Continue with <a href="#">step 8</a> .

8. Rotate the printhead-open lever downward until it locks the printhead in place.





9. Close the media door.



10. Set the printer to the appropriate print mode (for more information, see [PRINT MODE](#) on page 111).
11. Press PAUSE to exit pause mode and enable printing.  
The printer may perform a label calibration or feed a label, depending on your settings.
12. For best results, calibrate the printer. See [Calibrate the Ribbon and Media Sensors](#) on page 192.
13. If desired, print a configuration or other label to verify that your printer is able to print. (See [PRINT INFORMATION](#) on page 120.)

**Media loading in Cutter mode is complete.**

## Load the Ribbon



**Note** • This section applies only to printers that have the Thermal Transfer option installed.

Ribbon is used only with thermal transfer labels. For direct thermal labels, do not load ribbon in the printer. To determine if ribbon must be used with a particular media, see [When to Use Ribbon on page 24](#).

---

**Caution** • While performing any tasks near an open printhead, remove all rings, watches, hanging necklaces, identification badges, or other metallic objects that could touch the printhead. You are not required to turn off the printer power when working near an open printhead, but Zebra recommends it as a precaution. If you turn off the power, you will lose all temporary settings, such as label formats, and you must reload them before you resume printing.

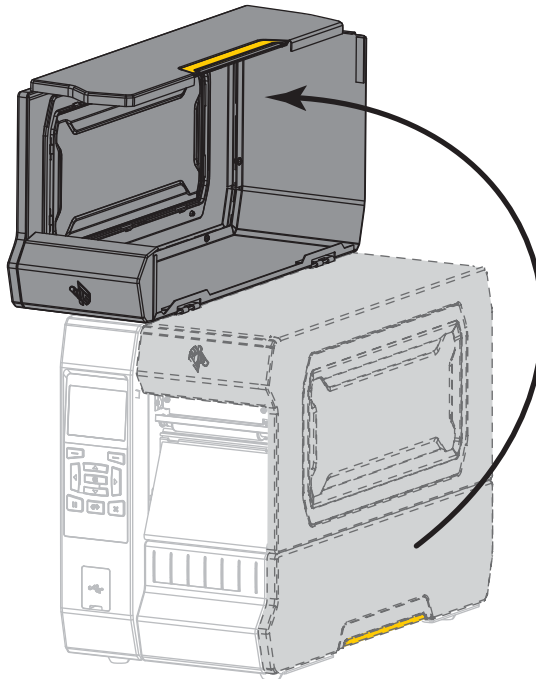
---



**Important** • Use ribbon that is wider than the media to protect the printhead from wear. Ribbon must be coated on the outside.

### To load ribbon, complete these steps:

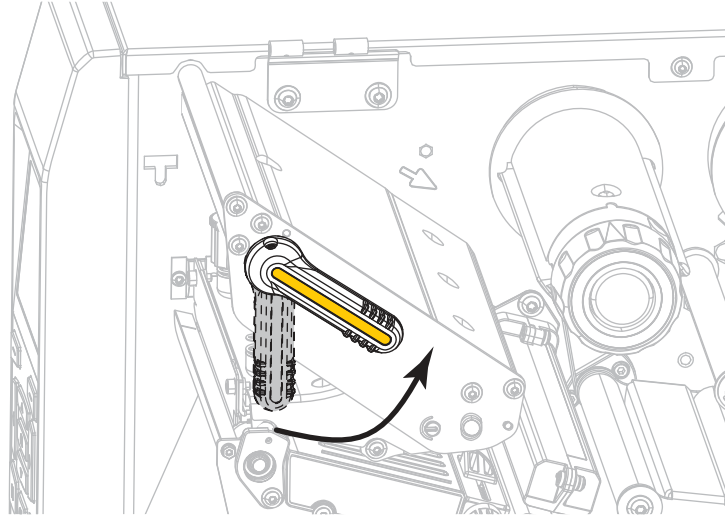
1. Raise the media door.



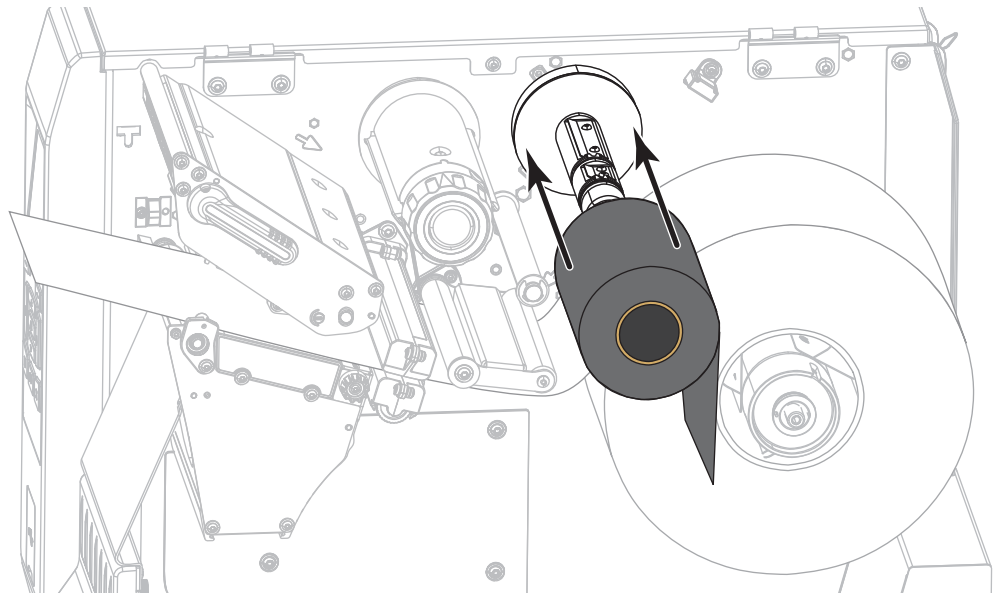


2. **Caution** • The printhead may be hot and could cause severe burns. Allow the printhead to cool.

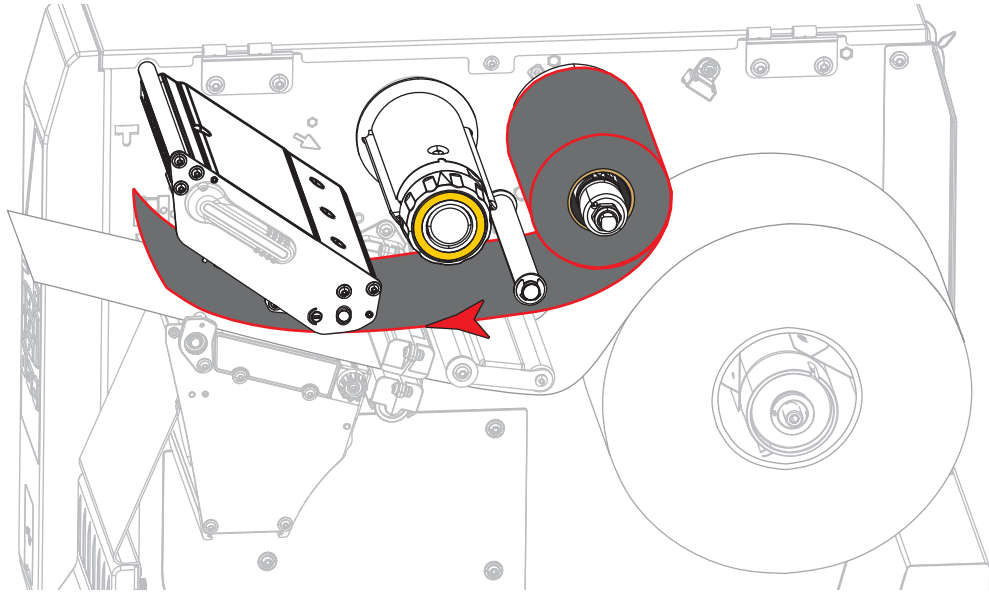
Open the printhead assembly by rotating the printhead-open lever upward.



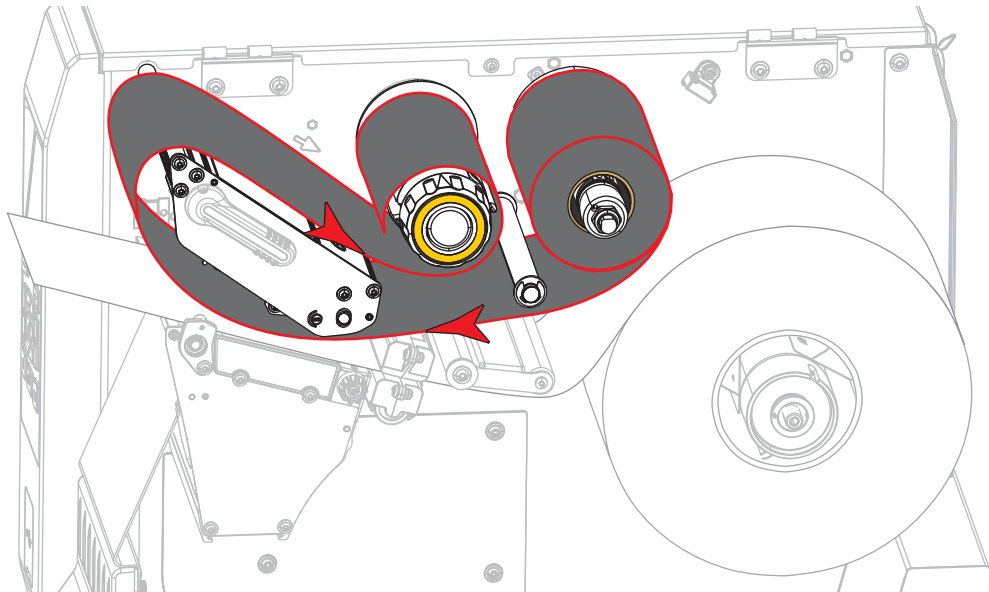
3. Place the roll of ribbon on the ribbon supply spindle with the loose end of the ribbon unrolling as shown. Push the roll back as far as it will go.



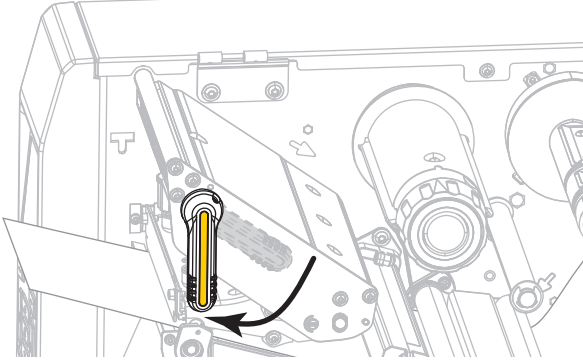
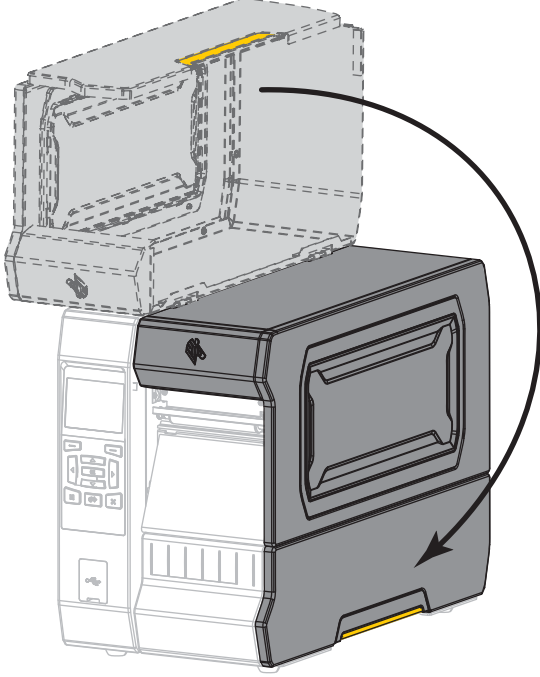
4. Bring the ribbon under the printhead assembly and around its left side, as shown.



5. With the ribbon tracking as far back as it can under the printhead assembly, wrap the ribbon around the ribbon take-up spindle. Rotate the spindle several turns in the direction shown to tighten and align the ribbon.



6. Is media already loaded in the printer?

If...	Then...
No	Continue with <i>Load the Media on page 32</i> to load media in the printer.
Yes	<p data-bbox="626 373 1333 436"><b>a.</b> Rotate the printhead-open lever downward until it locks the printhead in place.</p>  <p data-bbox="626 953 911 984"><b>b.</b> Close the media door.</p>  <p data-bbox="626 1713 1170 1745"><b>c.</b> If necessary, press PAUSE to enable printing.</p>

## Install the Printer Driver and Connect the Printer to the Computer

In this section, you are shown how to use the Zebra Setup Utilities program to prepare a computer running Microsoft Windows® for the printer driver before connecting the printer to any of the computer's data communication interfaces. Use this section for directions to install this program if you have not already done so. You may connect your printer to your computer using any of the connections that you have available.



**Important** • You must use the Zebra Setup Utilities program or the Zebra Printer Setup Utility app for Android devices (available for free from Google Play™ at <https://play.google.com/store/apps/details?id=com.zebra.printersetup>) before connecting the printer to your computer. Your computer will not install the correct printer drivers if you connect the printer to it without the Zebra Setup Utilities program or the Zebra Printer Setup Utility app.

### Install Zebra Setup Utilities

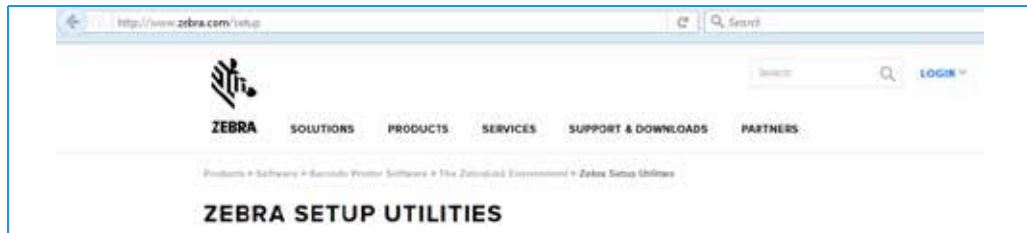
Follow the directions in this section if you do not have Zebra Setup Utilities installed on your computer or if you want to update an existing version of the program. You do not need to uninstall any older versions or any Zebra printer drivers to do so.

To install the Zebra Setup Utilities program, complete these steps:

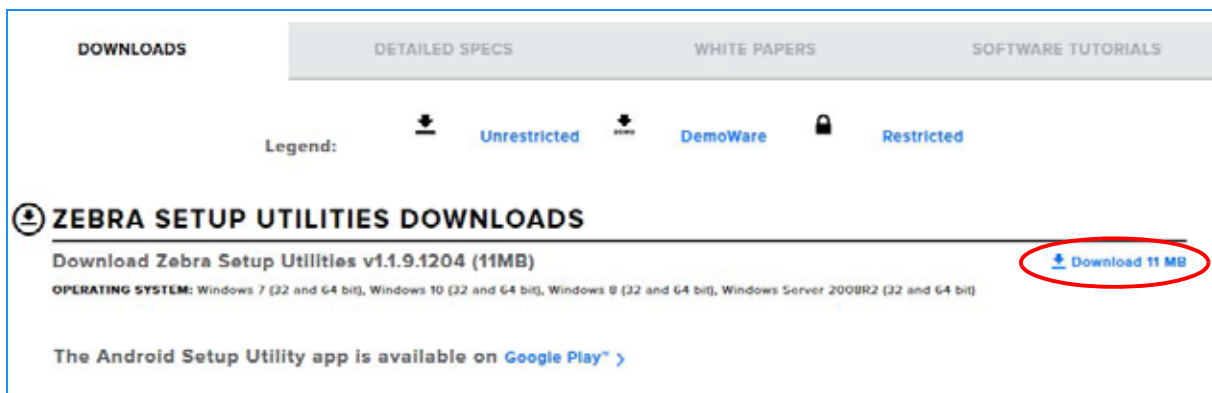
#### Download the Zebra Setup Utilities Installer

1. Go to <http://www.zebra.com/setup>.

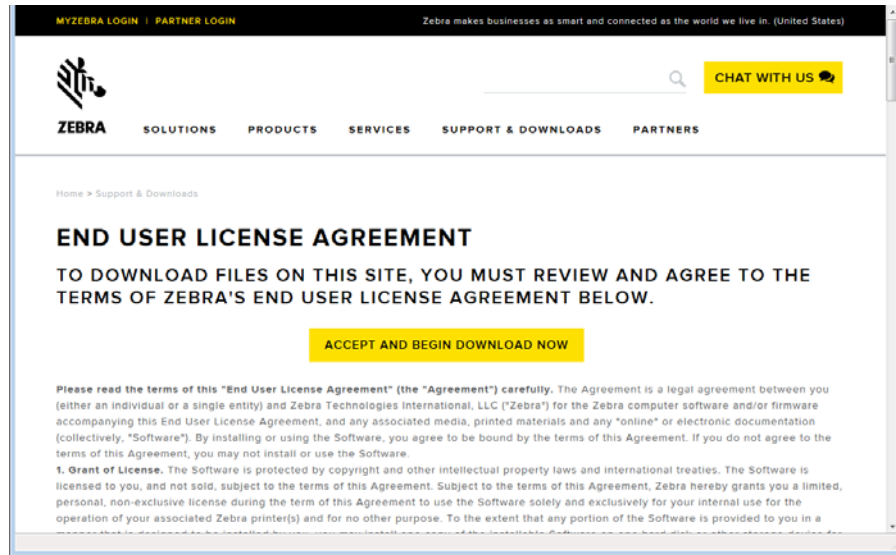
The Zebra Setup Utilities page displays.



2. On the DOWNLOADS tab, click Download under the ZEBRA SETUP UTILITIES option.

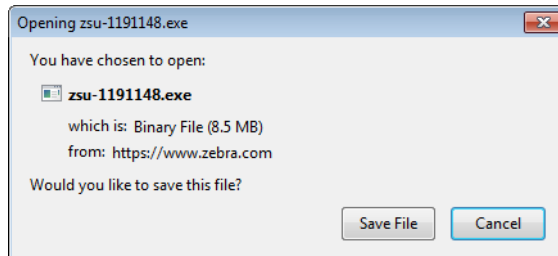
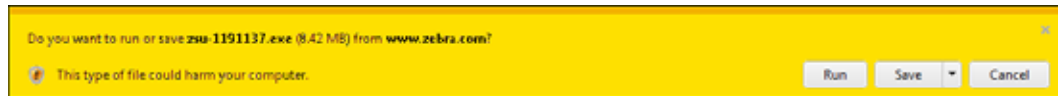


You are prompted to read and accept the End User License Agreement (EULA).



3. If you agree with the terms of the EULA, click  
**ACCEPT AND BEGIN DOWNLOAD NOW**

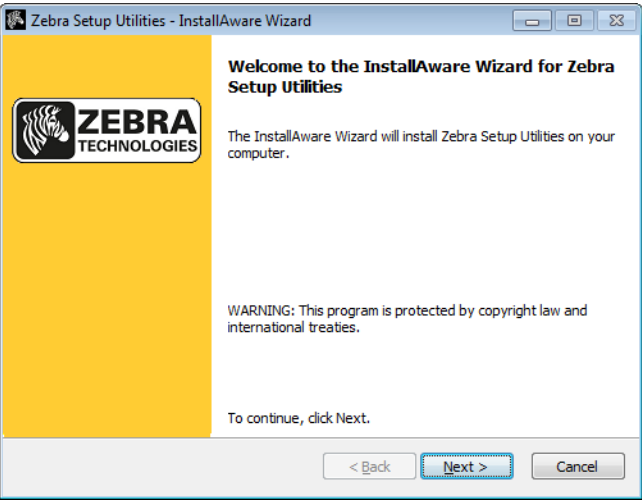
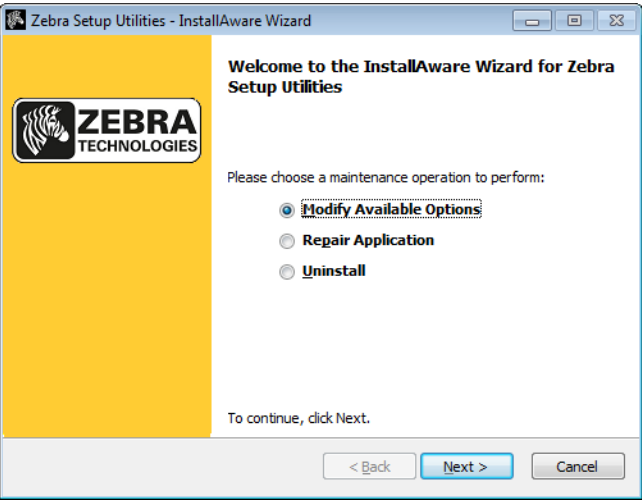
Depending on your browser, you are given options to run or save the executable file.



**Run the Zebra Setup Utilities Installer**

4. Save the program to your computer. (Optional if your browser gave you the option to run the program instead of saving it.)
5. Run the executable file. If your computer prompts you for permission to run the file, click the appropriate button to allow it to run.

What the computer displays next depends on whether Zebra Setup Utilities was already installed. Follow the instructions based on what your computer prompts you to do.

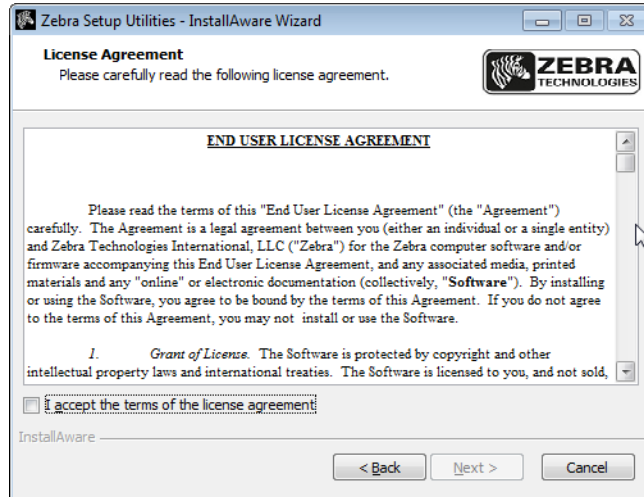
If your computer...	Then...
<p><b>Did not</b> previously have the Zebra Setup Utilities installed</p>	<p>a. The Zebra Setup Utilities - InstallAware Wizard displays the following.</p>  <p>b. Continue with <i>New Installations of Zebra Setup Utilities on page 65.</i></p>
<p><b>Did</b> previously have the Zebra Setup Utilities installed</p>	<p>a. The Zebra Setup Utilities - InstallAware Wizard displays the following.</p>  <p>b. Continue with <i>Updating Existing Installations of Zebra Setup Utilities on page 67.</i></p>



## New Installations of Zebra Setup Utilities

6. Click Next.

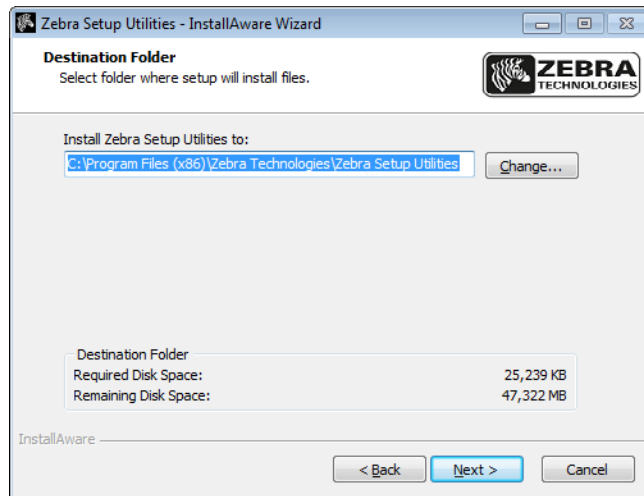
You are prompted again to read and accept the End User License Agreement (EULA).



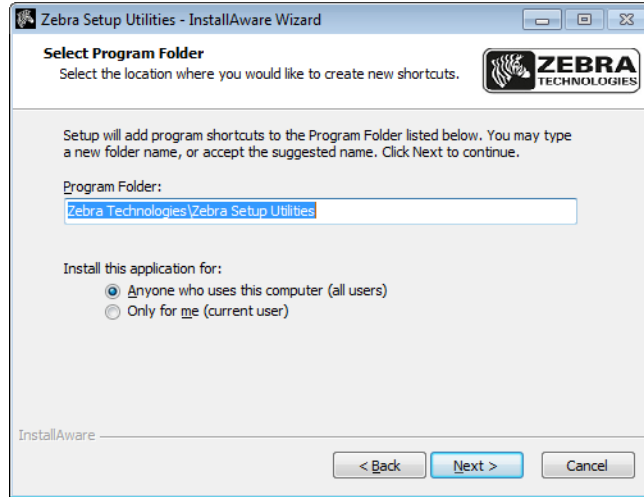
7. If you agree with the terms of the EULA, check the box that says I accept the terms of the license agreement

8. Click Next.

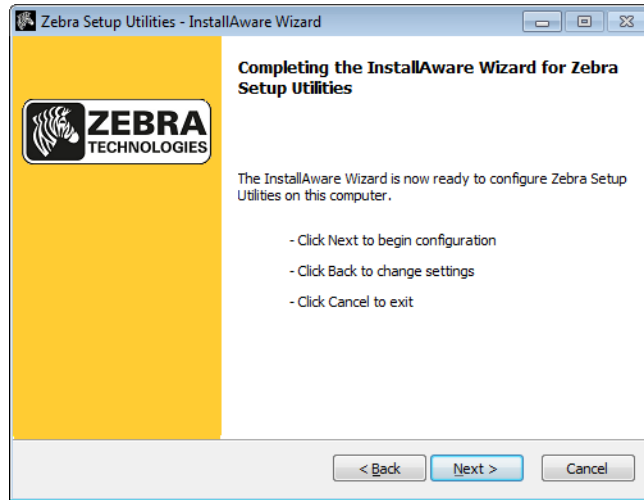
You are prompted to select where the files will be installed.



9. Change the destination folder, if necessary, and then click Next.  
You are prompted to select a location for program shortcuts.



10. Change the location, if desired, and then click Next.  
You are prompted to complete the InstallAware wizard.

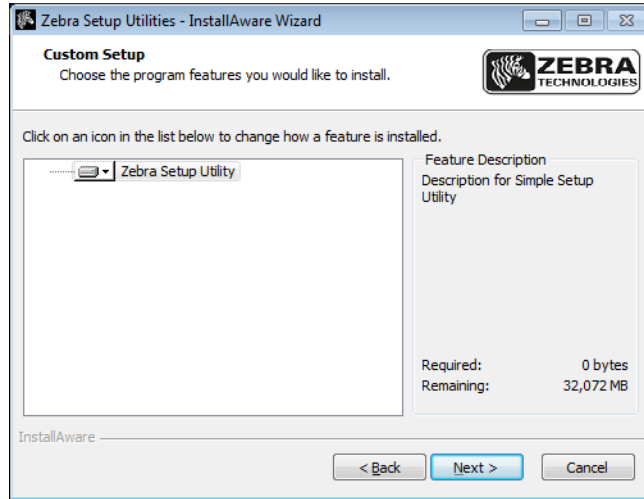


11. Skip to *Continuing with New or Updated Installations* on page 68.

### Updating Existing Installations of Zebra Setup Utilities

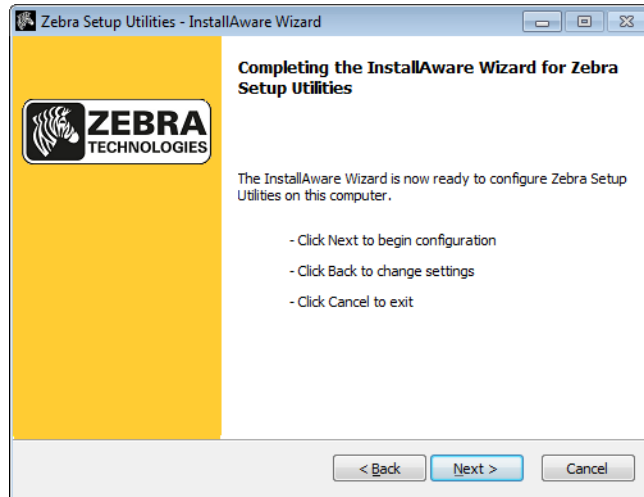
12. Click Next.

You are prompted to choose the features that you would like to install.



13. Click Next.

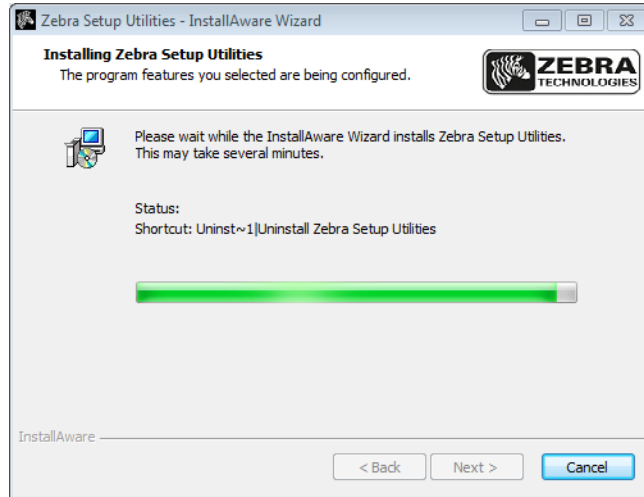
You are prompted to complete the InstallAware wizard.



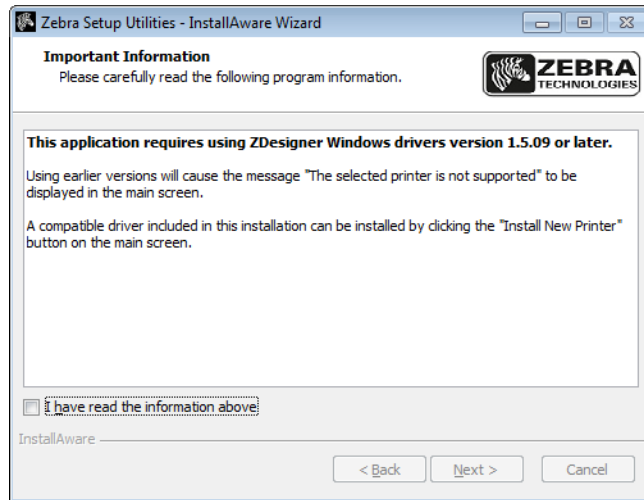
### Continuing with New or Updated Installations

14. Click Next.

Installation begins.



During installation, you are presented with information about drivers.



15. Read the information, and then check the box that says “I have read the information above”.

16. Click Next.

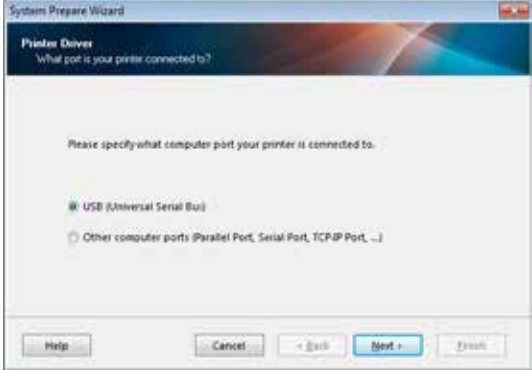
You are shown options that can take place when the wizard exits the installation.




17. Check the box that says “Run Zebra Setup Utilities now.”

18. Click Finish.

What the computer displays next depends on whether any Zebra printer drivers are already installed on your computer. Follow the instructions based on what your computer displays.

If your computer...	Then...	
<p><b>Did not</b> previously have any Zebra printer drivers installed</p>	<p>The System Prepare Wizard displays.</p> 	
	To connect by...	Then...
	<p><b>USB port</b></p>	<p>Continue with <i>Connect a Computer to the Printer's USB Port</i> on page 71.</p>
	<p><b>Serial or optional parallel port</b></p>	<p>Continue with <i>Connect a Computer to the Printer's Serial or Parallel Port</i> on page 75.</p>

**70 | Printer Setup and Operation**  
 Install the Printer Driver and Connect the Printer to the Computer

<b>If your computer...</b>	<b>Then...</b>	
<p><b>Did</b> previously have any Zebra printer drivers installed</p>	<p>The Zebra Setup Utilities screen displays.</p> 	
	<b>To connect by the...</b>	<b>Then...</b>
	<b>USB port</b>	Continue with <i>Connecting the printer to a USB port on your computer</i> on page 72.
	<b>Serial or optional parallel port</b>	Continue with <i>Adding a Printer from the Zebra Setup Utilities Screen</i> on page 78.

## Connect a Computer to the Printer's USB Port

Complete the steps in this section only after you have installed the Zebra Setup Utilities program. If necessary, complete the steps in [Install Zebra Setup Utilities on page 62](#) before continuing.



**Important** • You must install the Zebra Setup Utilities program before connecting the printer to your computer. Your computer will not install the correct printer drivers if you connect the printer to it without the Zebra Setup Utilities program.

---

**Caution** • Ensure that the printer power is off (O) before connecting data communications cables. Connecting a data communications cable while the power is on (I) may damage the printer.

---

To connect the printer to your computer by USB, complete these steps:

### Running the System Prepare Wizard

If you are at the Zebra Setup Utilities screen, you do not need to complete this section. Continue with [Connecting the printer to a USB port on your computer on page 72](#).

The first time that you install the Zebra Setup Utilities program and printer drivers, you are prompted to follow the System Prepare Wizard.

Figure 8 • System Prepare Wizard



1. Click Next.

The System Prepare Wizard prompts you to connect the printer to the USB port on your computer.



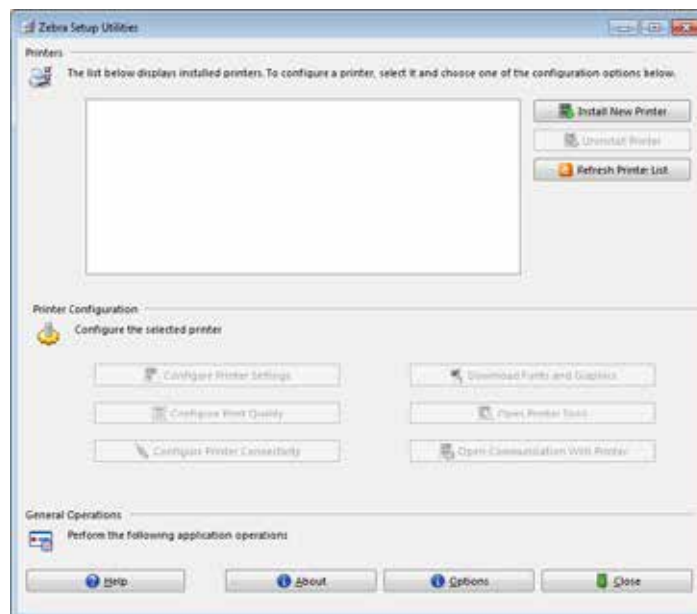
2. Click Finish.

The Zebra Setup Utilities screen displays.

### Connecting the printer to a USB port on your computer

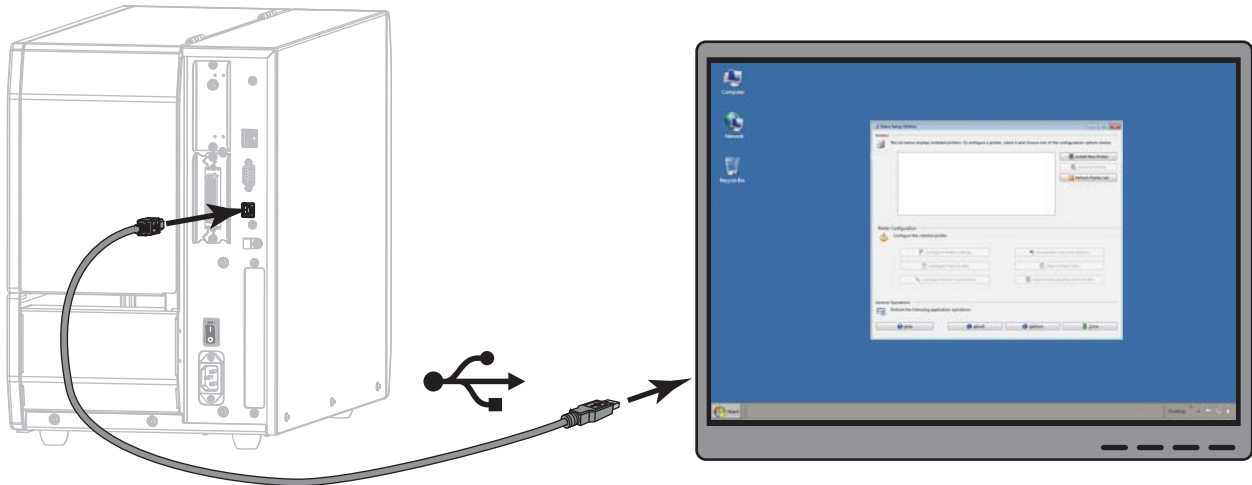
Complete the steps in this section only after the System Prepare Wizard prompts you to do so or after you have opened the Zebra Setup Utilities program. If necessary, complete the steps in [Install Zebra Setup Utilities on page 62](#) before continuing.

**Figure 9 • Zebra Setup Utilities Screen**

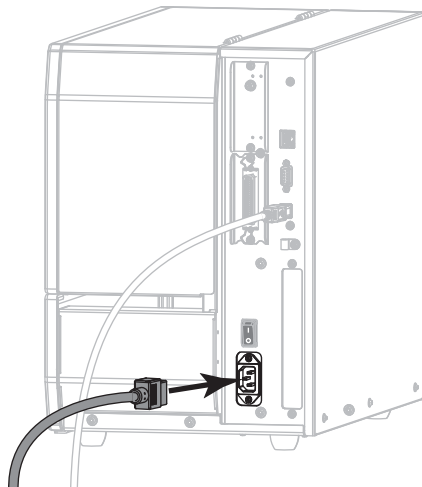




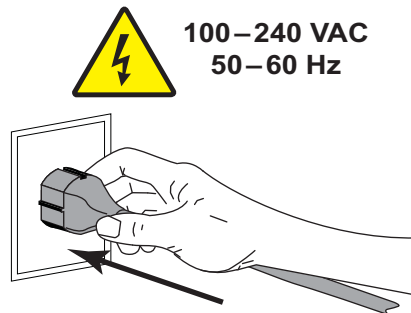
3. Connect one end of the USB cord to the USB port on your printer and the other end to your computer.



4. Plug the female end of the A/C power cord into the A/C power connector on the back of the printer.



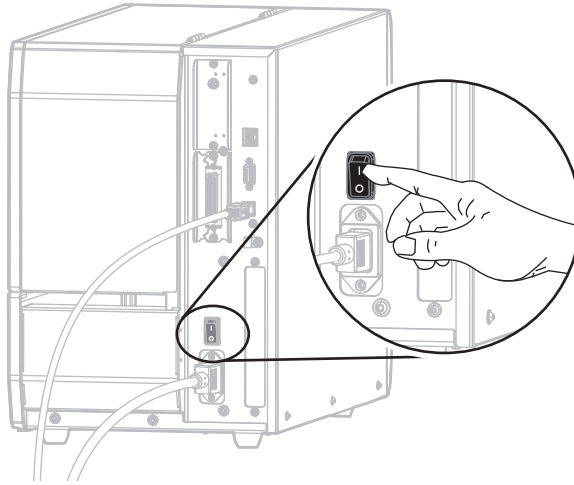
5. Plug the male end of the A/C power cord into an appropriate power outlet.



## 74 | Printer Setup and Operation

Install the Printer Driver and Connect the Printer to the Computer—USB

6. Turn on (I) the printer.



As the printer boots up, your computer completes the driver installation and recognizes your printer.

**The installation for the USB connection is complete.**

**ULINE**

1-800-295-5510

0720 IH-7378VND

## Connect a Computer to the Printer's Serial or Parallel Port

Complete the steps in this section only after you have installed the Zebra Setup Utilities program. If necessary, complete the steps in [Install Zebra Setup Utilities on page 62](#) before continuing.



**Important** • You must install the Zebra Setup Utilities program before connecting the printer to your computer. Your computer will not install the correct printer drivers if you connect the printer to it without the Zebra Setup Utilities program.

---

**Caution** • Ensure that the printer power is off (O) before connecting data communications cables. Connecting a data communications cable while the power is on (I) may damage the printer.

---

### To connect the printer to your computer by USB, complete these steps:

If you are at the Zebra Setup Utilities screen, you do not need to complete this section. Continue with [Adding a Printer from the Zebra Setup Utilities Screen on page 78](#).

### Running the System Prepare Wizard

The first time that you install the Zebra Setup Utilities program and printer drivers, you are prompted to follow the System Prepare Wizard.

Figure 10 • System Prepare Wizard



## 76 | Printer Setup and Operation

Install the Printer Driver and Connect the Printer to the Computer—Serial or Parallel

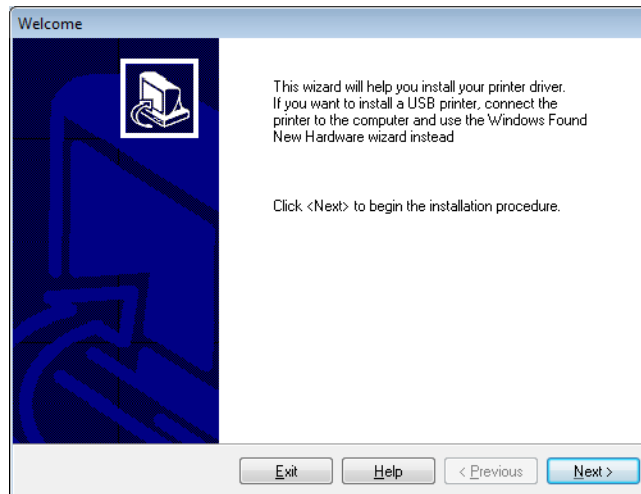
1. Select “Other computer ports (Parallel Port, Serial Port, TCP-IP Port, ...), and then click Next.

The new printer wizard prompts you to begin the installation procedure.



2. Click Finish.

The printer driver wizard displays.



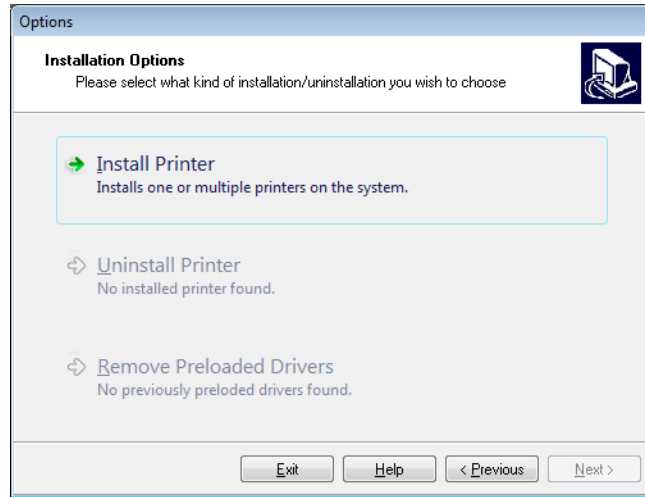
**ULINE**

1-800-295-5510

0720 IH-7378VND

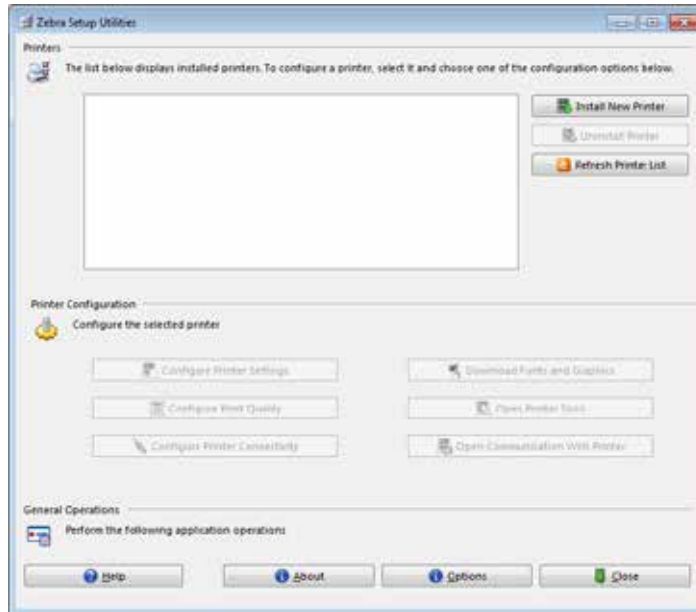
**3.** Click Next.

You are prompted to select an installation option.

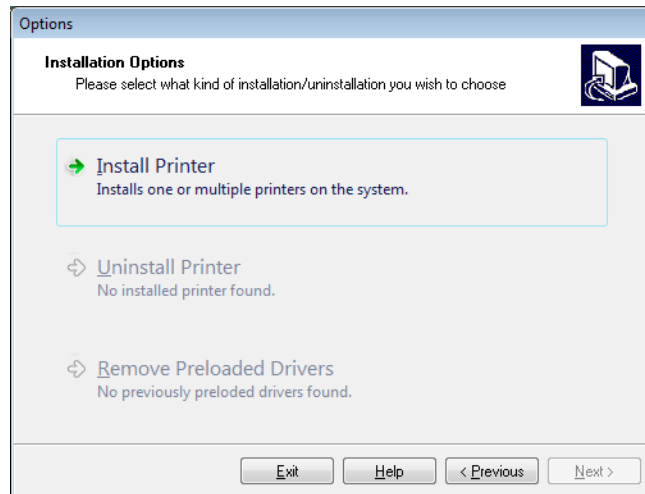
**4.** Continue with [step 6 on page 79](#).

**Adding a Printer from the Zebra Setup Utilities Screen**

**Figure 11 • Zebra Setup Utilities Screen**

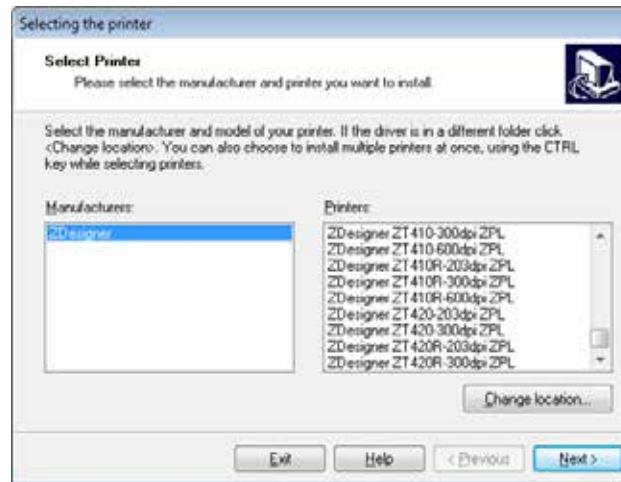


5. On the Zebra Setup Utilities screen, click Install New Printer.  
You are prompted to select an installation option.



## 6. Click Install Printer.

You are prompted to select a printer type.



## 7. Select your printer model and resolution.

The model and resolution are on a part number sticker on the printer, usually located below the media spindle. The information will be in the following format:

Part Number: XXXXXY - xxxxxxxx

where

XXXXX = the printer model

Y = the printer resolution (2 = 203 dpi, 3 = 300 dpi, 6 = 600 dpi)

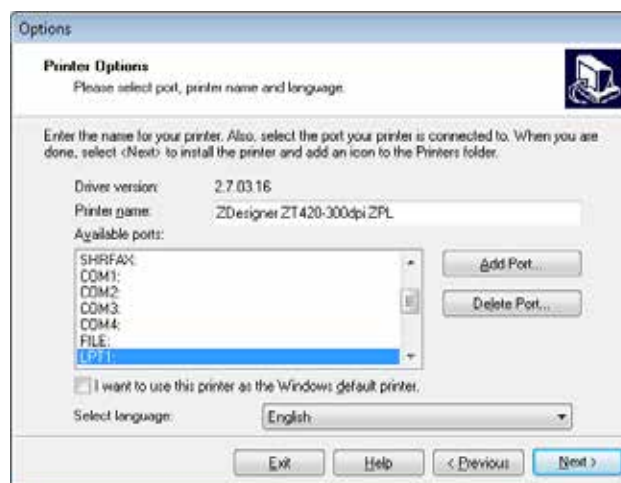
For example, in the part number **ZT620x3** - xxxxxxxx

**ZT620** indicates that the printer is a ZT620 model

**3** indicates that the printhead resolution is 300 dpi

## 8. Click Next.

You are prompted for a printer name, the port to which the printer will be connected, and the language for the program.



## 9. Change the printer name (if desired), and select the appropriate port and language.

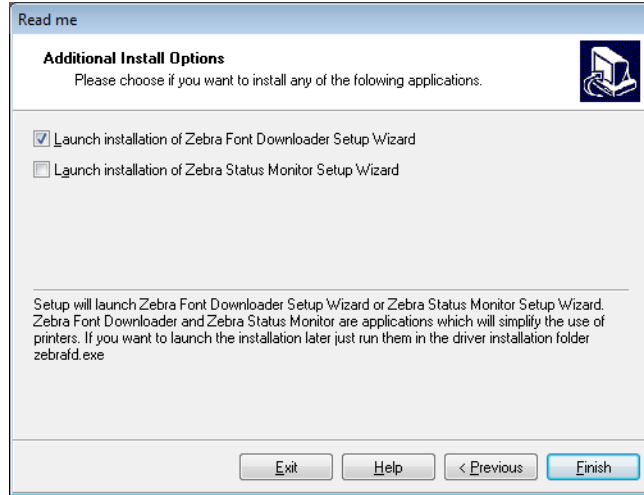
**ULINE**

1-800-295-5510

0720 IH-7378VND

**10. Click Next.**

You are prompted to launch other setup wizards.



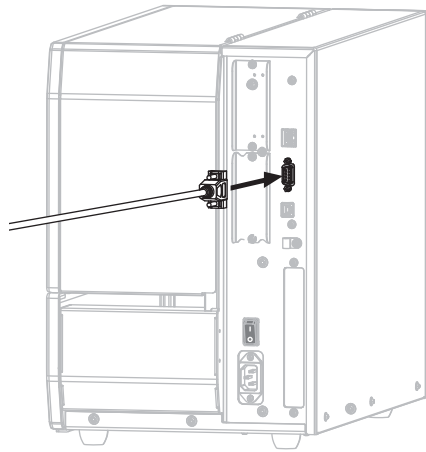
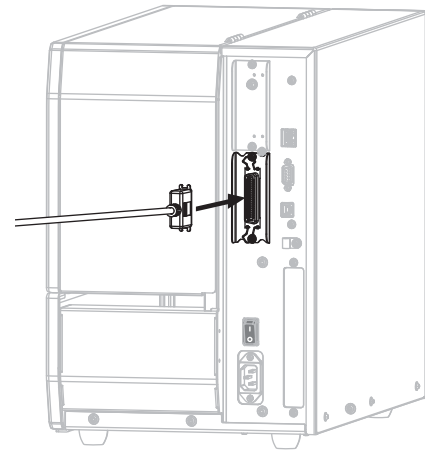
**11. Check the desired options, and then click Finish.**

The printer driver is installed. If you are prompted that other programs might be affected, click Next.

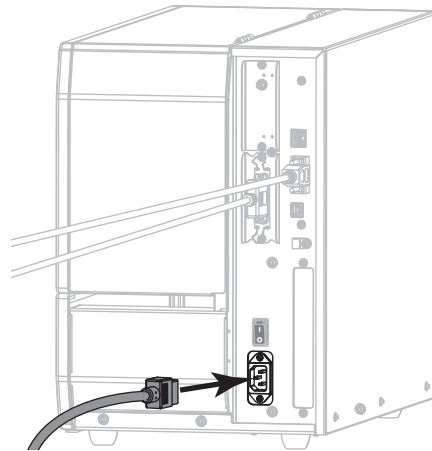


**Connecting the printer to a serial or parallel port on your computer**

12. Connect one or both cords to the appropriate ports on your printer.

**Serial Connector****Parallel Connector**

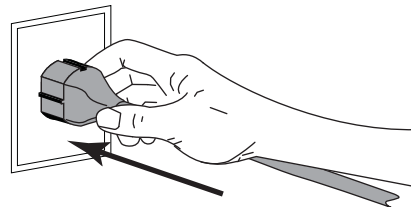
13. Connect the other end of the cord to the appropriate port on your computer.
14. Plug the female end of the A/C power cord into the A/C power connector on the back of the printer.



15. Plug the male end of the A/C power cord into an appropriate power outlet.



**100–240 VAC**  
**50–60 Hz**

**ULINE**

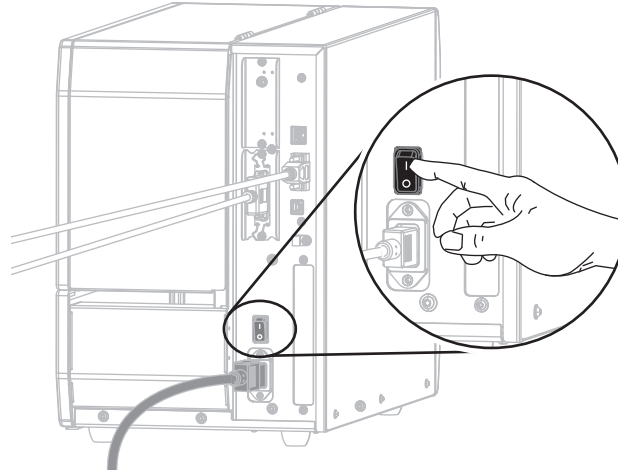
1-800-295-5510

0720 IH-7378VND

## 82 | Printer Setup and Operation

Install the Printer Driver and Connect the Printer to the Computer—Serial or Parallel

16. Turn on (I) the printer.



The printer boots up.

### Configuring the printer (if necessary)

17. If necessary, adjust the printer's port settings to match those of your computer. For more information, see *PORTS* on page 104.

**The installation for serial or parallel connections is complete.**

**ULINE**

1-800-295-5510

0720 IH-7378VND

## Connect to Your Network through the Printer's Ethernet Port

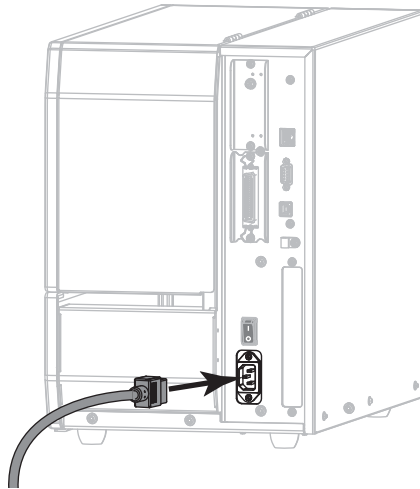
If you wish to use a wired print server (Ethernet) connection, you may need to connect the printer to your computer using one of the other available connections. While the printer is connected via one of those connections, you would configure the printer to communicate with your Local Area Network (LAN) through the printer's wired print server.

For additional information about Zebra print servers, refer to the *ZebraNet Wired and Wireless Print Server User Guide*. To download the latest version of this guide, go to <http://www.zebra.com/zt600-info>.

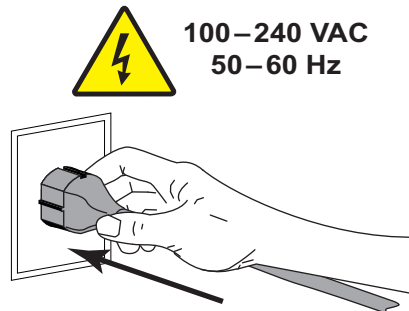


### To connect the printer to your computer by a wired print server, complete these steps:

1. Install Zebra Setup Utilities as instructed in *Install Zebra Setup Utilities* on page 62.
2. Plug the female end of the A/C power cord into the A/C power connector on the back of the printer.



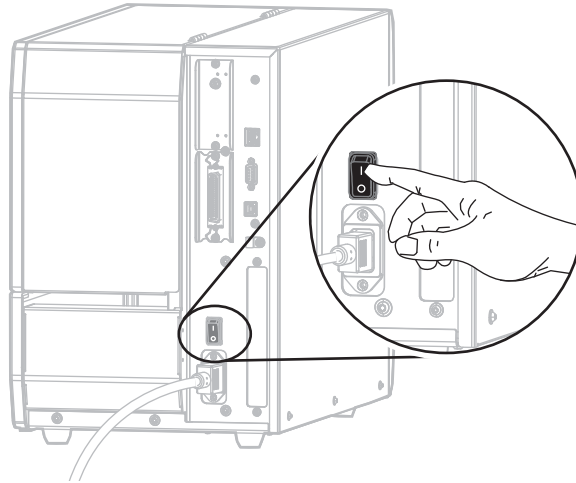
3. Plug the male end of the A/C power cord into an appropriate power outlet.



## 84 | Printer Setup and Operation

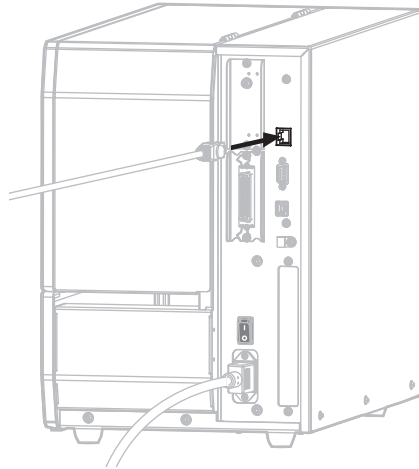
### Install the Printer Driver and Connect the Printer to the Computer—Ethernet

4. Turn on (I) the printer.



The printer boots up.

5. Connect the printer to an Ethernet cable that is connected to your network.



The printer attempts to communicate with your network. If it is successful, it fills in your LAN's gateway and subnet values and gets an IP address. The printer display will alternate between the printer's firmware version and its IP address.

6. Check the display to see if an IP address was assigned to the printer. See [WIRED IP ADDRESS](#) on page 143.

If the printer's IP address is...	Then...
0.0.0.0 or 000.000.000.000	Continue with <a href="#">Configuring the printer with your LAN information (if necessary)</a> on page 85.
any other value	Continue with <a href="#">Adding a Printer from the Zebra Setup Utilities Screen</a> on page 86.

**ULINE**

1-800-295-5510

0720 IH-7378VND

### Configuring the printer with your LAN information (if necessary)

If your printer connected to your network automatically, you do not need to complete this section. Continue with [Adding a Printer from the Zebra Setup Utilities Screen on page 86](#).

7. Connect the printer to your computer using a USB, serial, or optional parallel port as instructed in [Connect a Computer to the Printer's USB Port on page 71](#) or [Connect a Computer to the Printer's Serial or Parallel Port on page 75](#).
8. Configure the following printer settings. You can change the values through the Zebra Setup Utilities (click Configure Printer Connectivity on the Zebra Setup Utilities screen) or by the ways listed at the following links. Contact your network administrator for the proper values for your network.
  - [WIRED IP PROTOCOL on page 146](#) (change the value from ALL to PERMANENT)
  - [WIRED GATEWAY on page 145](#) (match the gateway value of your LAN)
  - [WIRED SUBNET MASK on page 144](#) (match the subnet value of your LAN)
  - [WIRED IP ADDRESS on page 143](#) (assign a unique IP address to the printer)

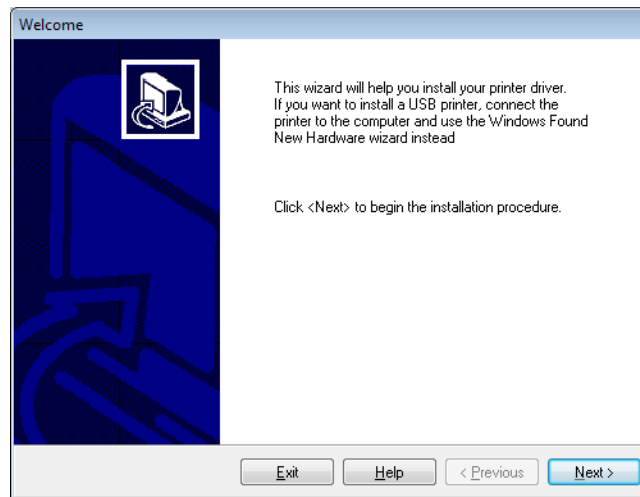
**Adding a Printer from the Zebra Setup Utilities Screen**

- 9. If necessary, open the Zebra Setup Utilities program.  
The Zebra Setup Utilities screen displays.

**Figure 12 • Zebra Setup Utilities Screen**

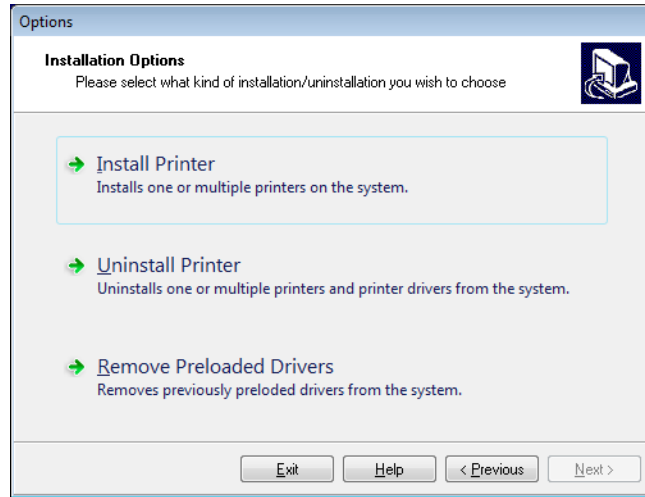


- 10. Click Install New Printer.  
The printer driver wizard displays.



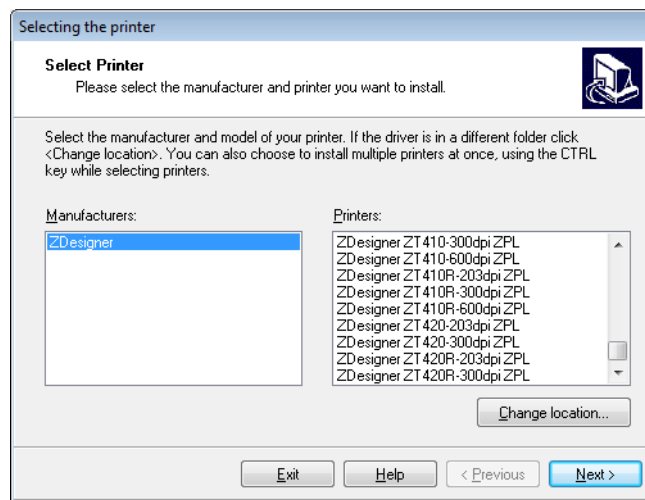
11. Click Next.

You are prompted to select an installation option.



12. Click Install Printer.

You are prompted to select a printer type.



13. Select your printer model and resolution.

The model and resolution are on a part number sticker on the printer, usually located below the media spindle. The information will be in the following format:

Part Number: XXXXXY - xxxxxxxx

where

XXXXX = the printer model

Y = the printer resolution (2 = 203 dpi, 3 = 300 dpi, 6 = 600 dpi)

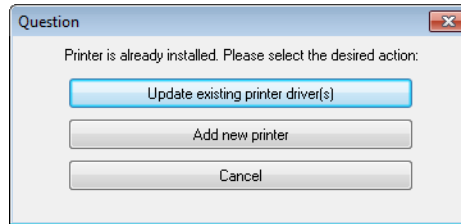
For example, in the part number **ZT620x3** – xxxxxxxx

**ZT620** indicates that the printer is a ZT620 model

**3** indicates that the printhead resolution is 300 dpi

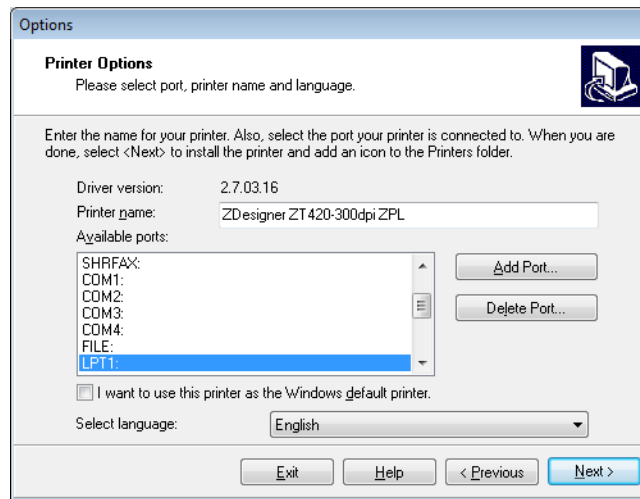
14. Click Next.

You are notified that the printer is already installed.



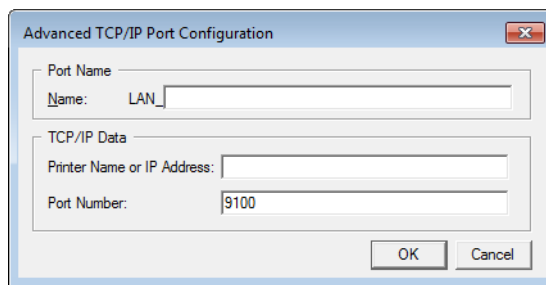
15. Click Add new printer.

You are prompted for a printer name, the port to which the printer will be connected, and the language for the printer display.



16. Click Add Port.

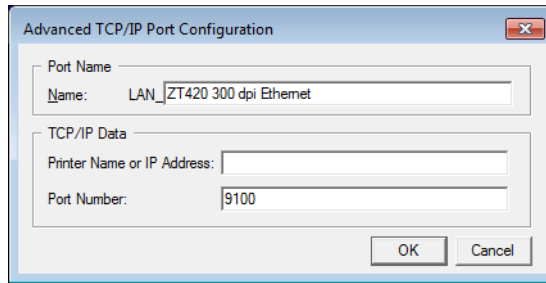
The wizard prompts you for a name for the port and the IP address of your printer.



**Note** • If you have other applications open, you may be prompted that the driver is locked by another process. You may click Next to continue or Exit to allow you to save your work before continuing with this installation.



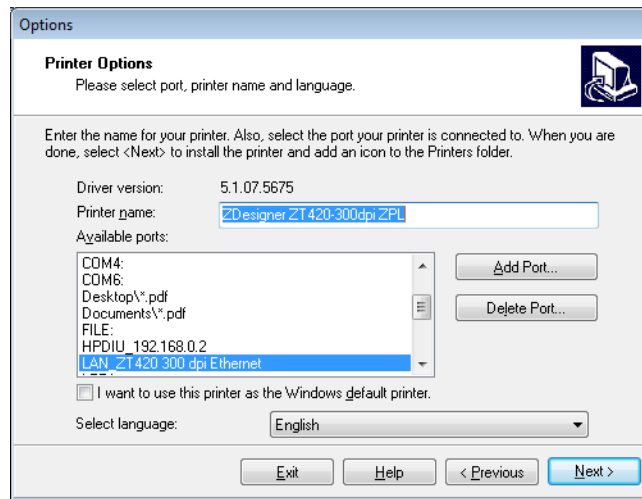
17. Give the port a name that you can recognize when it appears in the list of available ports.



18. Enter the printer's IP address. This could be one that was assigned automatically or one that you specified manually in the previous section.

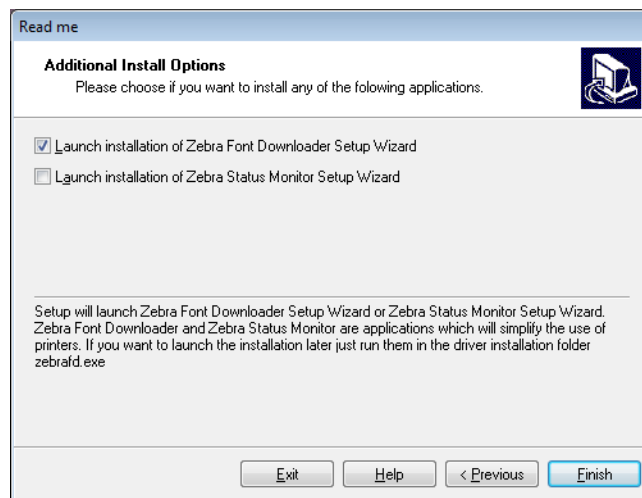
19. Click OK.

A printer driver is created with the port name that you assigned. The new printer port appears in the list of available ports.



20. Click Next.

You are prompted to launch other setup wizards.

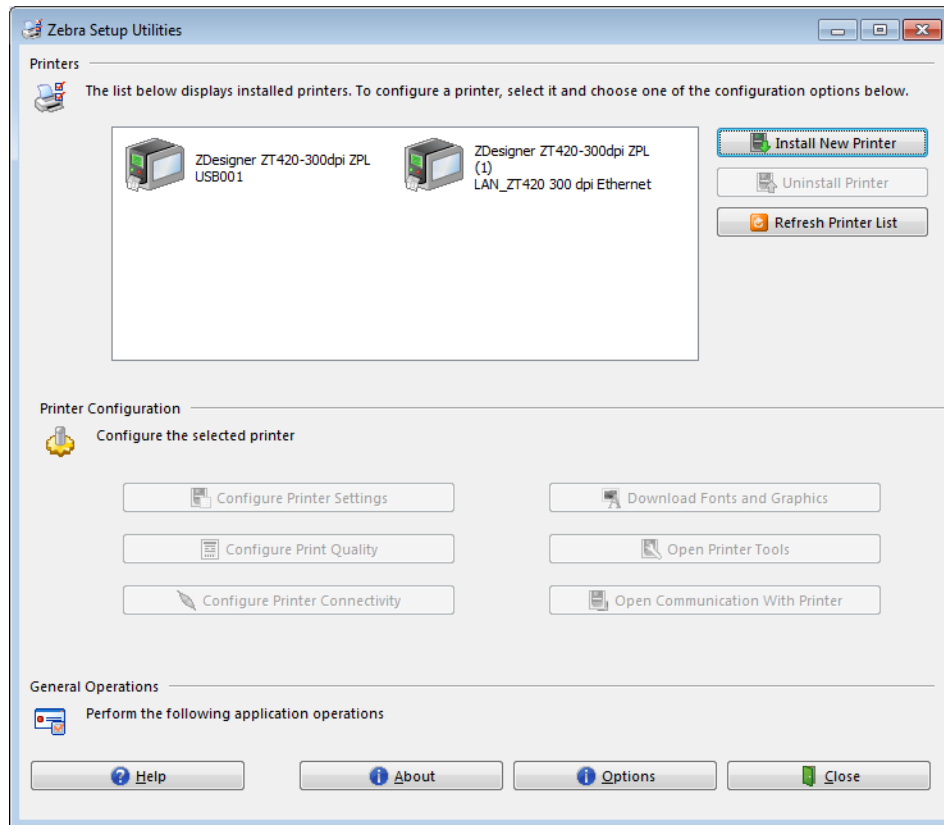


## 90 | Printer Setup and Operation

Install the Printer Driver and Connect the Printer to the Computer—Ethernet

21. Check the desired options, and then click Finish.

The printer driver is installed. If you are prompted that other programs might be affected, click the appropriate option to continue.



**The installation for wired (Ethernet) connections is complete.**

## Connect the Printer to Your Wireless Network

If you wish to use the printer's optional wireless print server, you must first connect the printer to your computer using one of the other available connections. While the printer is connected via one of those connections, you configure the printer to communicate with your Wireless Local Area Network (WLAN) through the wireless print server.

For additional information about Zebra print servers, refer to the *ZebraNet Wired and Wireless Print Server User Guide*. To download the latest version of this guide, go to <http://www.zebra.com/zt600-info>.



### To connect the printer to your computer by an optional wireless print server, complete these steps:

1. Install Zebra Setup Utilities as instructed in *Install Zebra Setup Utilities on page 62*.
2. Connect the printer to your computer using a USB, serial, or optional parallel port as instructed in *Connect a Computer to the Printer's USB Port on page 71* or *Connect a Computer to the Printer's Serial or Parallel Port on page 75*.
3. Configure the following printer settings. You can change the values through the Zebra Setup Utilities (click Configure Printer Connectivity on the Zebra Setup Utilities screen) or by the ways listed at the following links. Contact your network administrator for the proper values for your network.
  - *WLAN IP PROTOCOL on page 151* (change the value from ALL to PERMANENT)
  - *WLAN GATEWAY on page 150* (match the gateway value of your WLAN)
  - *WLAN SUBNET MASK on page 149* (match the subnet value of your WLAN)
  - *WLAN IP ADDRESS on page 148* (assign a unique IP address to the printer)

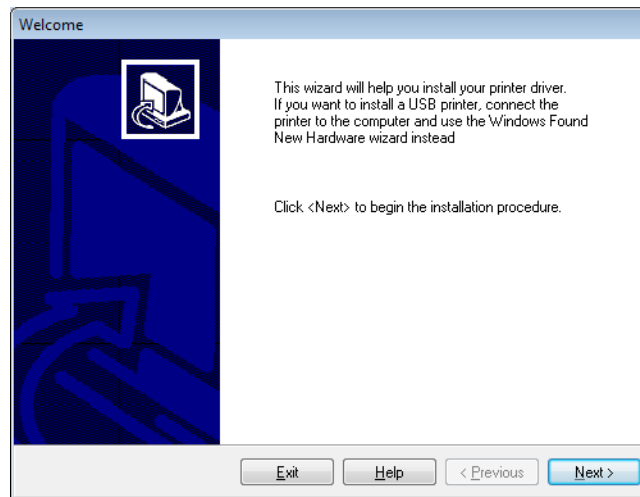
**Adding a Printer from the Zebra Setup Utilities Screen**

- 4. If necessary, open the Zebra Setup Utilities program.  
The Zebra Setup Utilities screen displays.

**Figure 13 • Zebra Setup Utilities Screen**

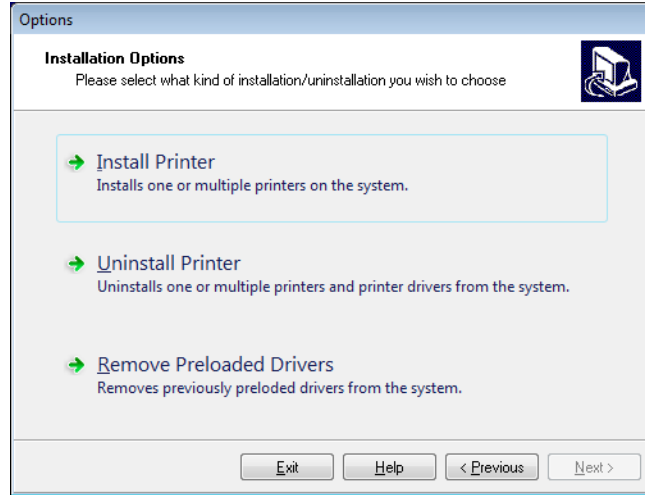


- 5. Click Install New Printer.  
The printer driver wizard displays.



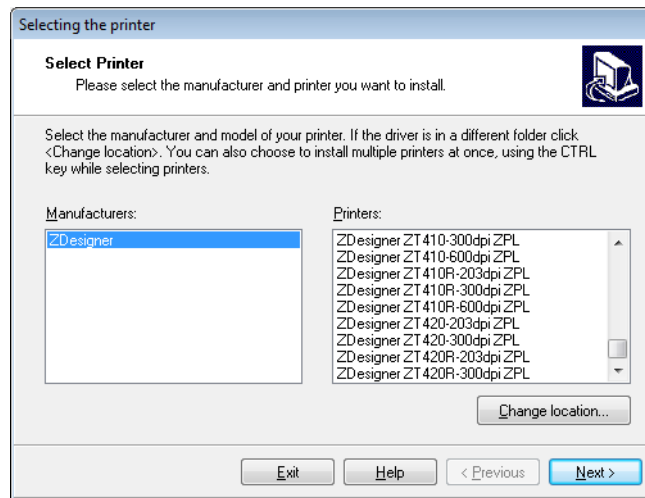
6. Click Next.

You are prompted to select an installation option.



7. Click Install Printer.

You are prompted to select a printer type.



8. Select your printer model and resolution.

The model and resolution are on a part number sticker on the printer, usually located below the media spindle. The information will be in the following format:

Part Number: XXXXX $\times$ Y - xxxxxxxx

where

XXXXX = the printer model

Y = the printer resolution (2 = 203 dpi, 3 = 300 dpi, 6 = 600 dpi)

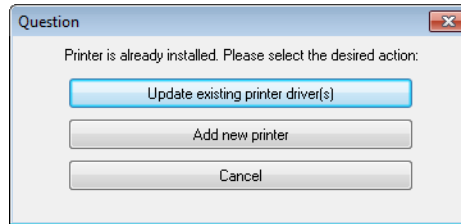
For example, in the part number **ZT620x3** – xxxxxxxx

**ZT620** indicates that the printer is a ZT620 model

**3** indicates that the printhead resolution is 300 dpi

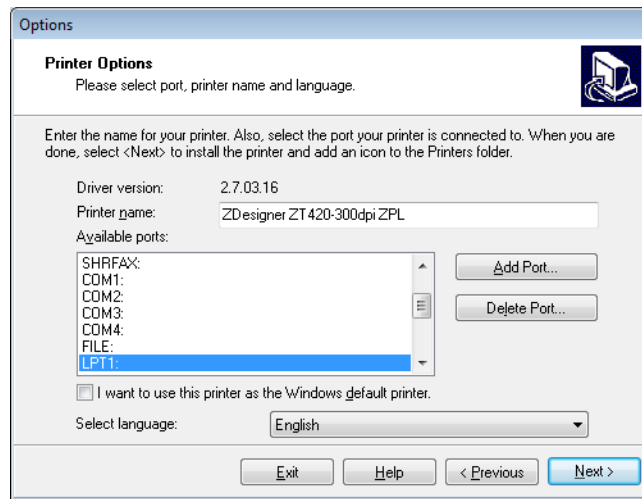
9. Click Next.

You are notified that the printer is already installed.



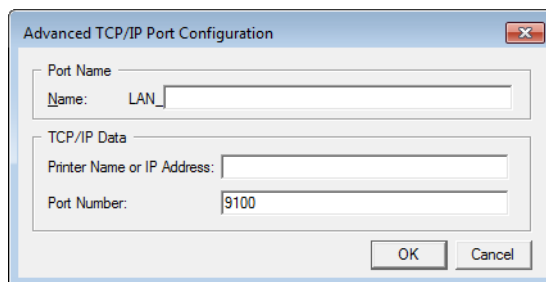
10. Click Add new printer.

You are prompted for a printer name, the port to which the printer will be connected, and the language for the printer display.



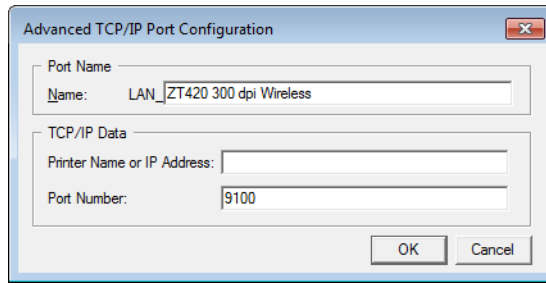
11. Click Add Port.

The wizard prompts you for a name for the port and the IP address of your printer.



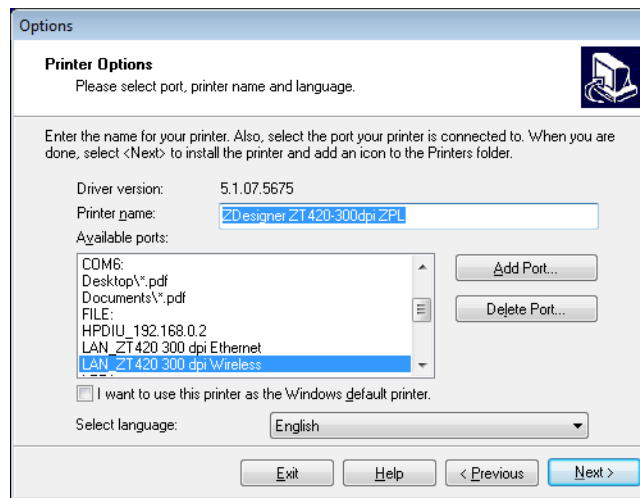
**Note** • If you have other applications open, you may be prompted that the driver is locked by another process. You may click Next to continue or Exit to allow you to save your work before continuing with this installation.

12. Give the port a name that you can recognize when it appears in the list of available ports.



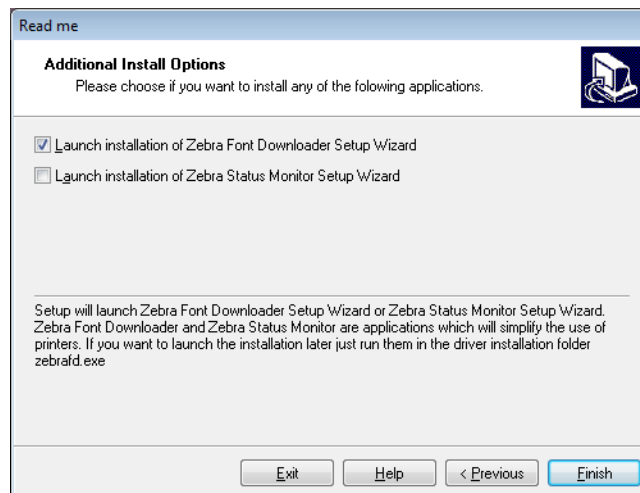
13. Enter the printer's IP address. This could be one that was assigned automatically or one that you specified manually in the previous section.
14. Click OK.

A printer driver is created with the port name that you assigned. The new printer port appears in the list of available ports.



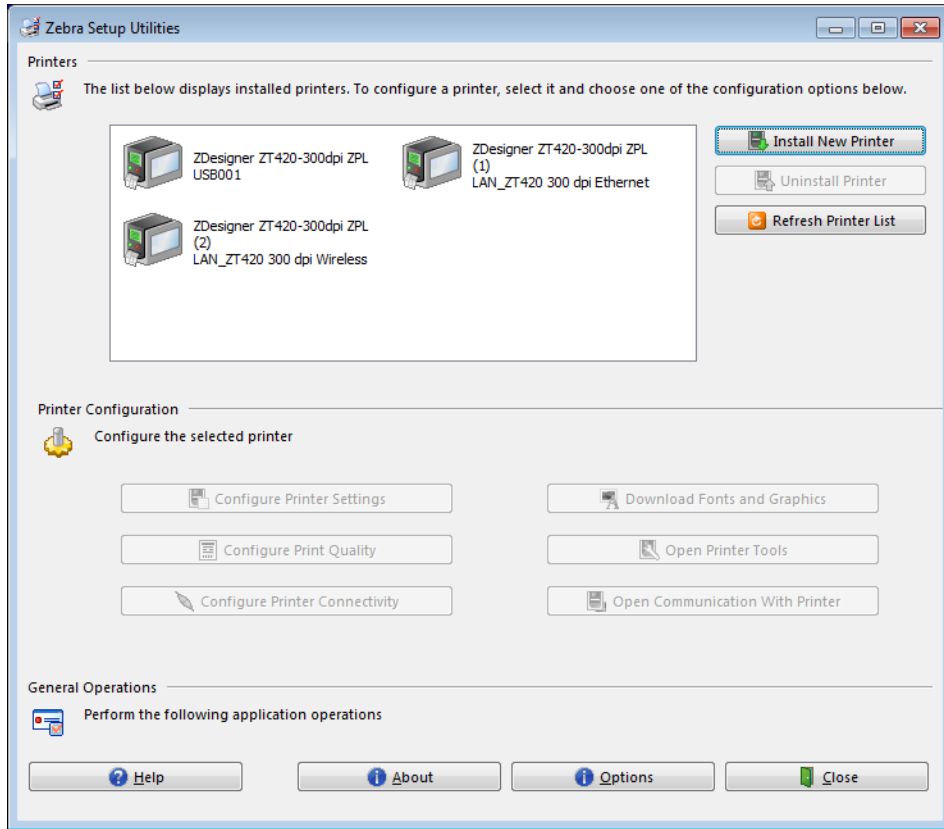
15. Click Next.

You are prompted to launch other setup wizards.



- 16. Check the desired options, and then click Finish.

The printer driver is installed. If you are prompted that other programs might be affected, click the appropriate option to continue.



**The installation for wireless communication is complete.**

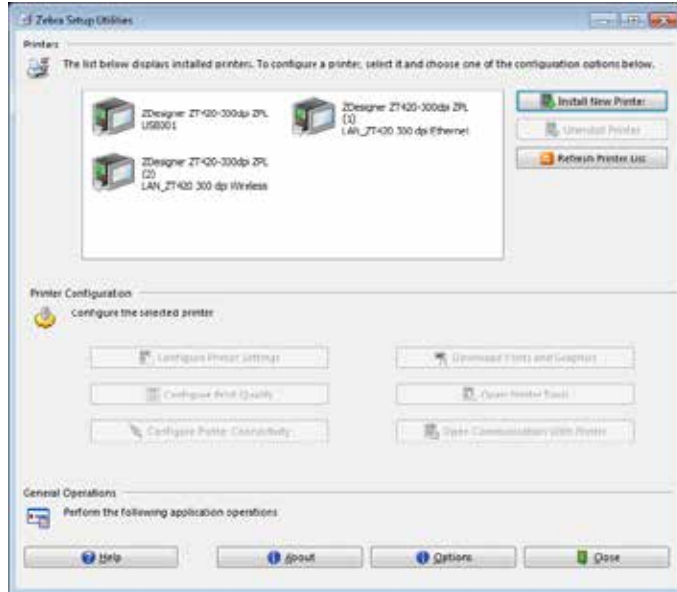


## Print a Test Label and Make Adjustments

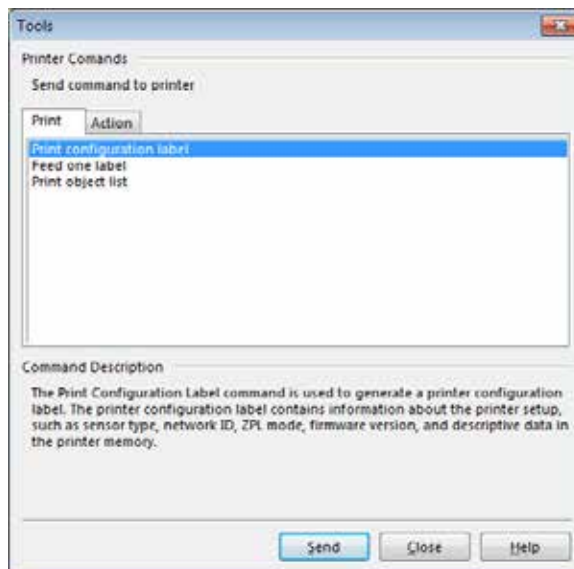
After you have loaded media, loaded ribbon (if using Thermal Transfer media), installed the printer driver, and connected your printer to your computer, use the directions in this section to print a test label. Printing this label allows you to see if your connection is working and if you need to adjust any of the printer settings.

**To print a test label and adjust the printer (if necessary), complete these steps:**

1. Open the Zebra Setup Utilities to return to the Zebra Setup Utilities screen.



2. Click on one of the available print drivers for your printer.
3. Click Open Printer Tools.  
 The Tools window displays the available printer commands.



- Click Send to print a printer configuration label.
- If your connection is working correctly and your printer is correctly loaded with media and ribbon (if used), a printer configuration label prints.

Figure 14 • Sample Printer Configuration Label

PRINTER CONFIGURATION	
Zebra Technologies ZTC Z1620R-203dpi ZPL 76J162700886	
+30.0.....	DARKNESS
6.0 IPS.....	PRINT SPEED
-007.....	TEAR OFF
TEAR OFF.....	PRINT MODE
CONTINUOUS.....	MEDIA TYPE
TRANSMISSIVE.....	SENSOR SELECT
DIRECT-THERMAL.....	PRINT METHOD
1344.....	PRINT WIDTH
2000.....	LABEL LENGTH
P1085892/00005 2.....	PRINT HEAD ID
15.0IN 380MM.....	MAXIMUM LENGTH
MAINT. OFF.....	EARLY WARNING
CONNECTED.....	USB COMM.
BIDIRECTIONAL.....	PARALLEL COMM.
RS232.....	SERIAL COMM.
9600.....	BAUD
8 BITS.....	DATA BITS
NONE.....	PARITY
XON/XOFF.....	HOST HANDSHAKE
NONE.....	PROTOCOL
NORMAL MODE.....	COMMUNICATIONS
<=> 7EH.....	CONTROL PREFIX
<=> 5EH.....	FORMAT PREFIX
<.> 2CH.....	DELIMITER CHAR
ZPL II.....	ZPL MODE
INACTIVE.....	COMMAND OVERRIDE
FEED.....	MEDIA POWER UP
LENGTH.....	HEAD CLOSE
DEFAULT.....	BACKFEED
+000.....	LABEL TOP
+0000.....	LEFT POSITION
OFF.....	APPLICATOR PORT
ENABLED.....	ERROR ON PAUSE
PULSE MODE.....	START PRINT SIG
DISABLED.....	REPRINT MODE
080.....	WEB SENSOR
090.....	MEDIA SENSOR
255.....	TAKE LABEL
027.....	MARK SENSOR
027.....	MARK MED SENSOR
000.....	TRANS GAIN
005.....	TRANS BASE
060.....	TRANS LED
002.....	MARK GAIN
100.....	MARK LED
DPCS#FXM.....	MODES ENABLED
1344 8/MM FULL.....	MODES DISABLED
4.0.....	RESOLUTION
V80.20.03 <-.....	LINK-OS VERSION
1.3.....	FIRMWARE
6.6.0 22.89.....	XPL SCHEMA
32768k.....	HARDWARE ID
524288k.....	R: RAM
NONE.....	E: ONBOARD FLASH
MM/DD/YYYY 24HR.....	FORMAT CONVERT
05/11/17.....	IDLE DISPLAY
06:40.....	RTC DATE
ENABLED.....	RTC TIME
2.1.....	ZBI
READY.....	ZBI VERSION
TM:MBE MICRO.....	ZBI STATUS
20.00.00.01.....	RFID READER
01.03.00.18.....	RFID HW VERSION
USA/CANADA.....	RFID FW VERSION
USA/CANADA.....	RFID REGION CODE
RFID OK.....	RFID COUNTRY CODE
16.....	RFID ERR STATUS
16.....	RFID READ PWR
F0.....	RFID WRITE PWR
0.....	PROG. POSITION
0.....	RFID VALID CTR
NONE.....	RFID VOID CTR
A4.....	ADAPTIVE ANTENNA
570 LABELS.....	RFID ANTENNA
570 LABELS.....	NONRESET CNTR
570 LABELS.....	RESET CNTR1
2,798 IN.....	RESET CNTR2
2,798 IN.....	NONRESET CNTR
2,798 IN.....	RESET CNTR1
7,107 CM.....	RESET CNTR2
7,107 CM.....	NONRESET CNTR
7,107 CM.....	RESET CNTR1
001 WIRELESS.....	RESET CNTR2
*** EMPTY.....	SLOT 1
0.....	SLOT 2
0.....	MASS STORAGE COUNT
OFF.....	HID COUNT
OFF.....	USB HOST LOCK OUT
FIRMWARE IN THIS PRINTER IS COPYRIGHTED	

5. Did the printer configuration label print, and is the print quality acceptable?

<b>If...</b>	<b>Then...</b>
<b>The label printed and the print quality is acceptable</b>	Your printer is ready for printing. Continue with the label designer program of your choice. You may use ZebraDesigner™, which you can download from <a href="http://www.zebra.com">http://www.zebra.com</a> .
<b>The label did not print</b>	<ul style="list-style-type: none"> <li><b>a.</b> Close the Tools window and make sure that you selected the correct printer driver before you click Open Printer Tools. Try printing the label again.</li> <li><b>b.</b> If the label still did not print, check the connections between your printer and your computer or your printer and your network.</li> <li><b>c.</b> If necessary, modify the printer's settings to make them match your computer's settings.</li> </ul>
<b>The label prints, but with poor quality or other issues</b>	See <i>Diagnostics and Troubleshooting</i> on page 227.



**Notes •** \_\_\_\_\_

\_\_\_\_\_

\_\_\_\_\_

\_\_\_\_\_

\_\_\_\_\_

\_\_\_\_\_

\_\_\_\_\_

\_\_\_\_\_

\_\_\_\_\_

\_\_\_\_\_

\_\_\_\_\_

# Printer Configuration and Adjustment

This section assists you with configuration of and adjustments to the printer.

## Contents

Adjust Printer Settings . . . . .	102
Calibrate the Ribbon and Media Sensors . . . . .	192
Adjust the Printhead Pressure and Toggle Position . . . . .	198
Adjust the Sensor Position . . . . .	204
Remove Used Ribbon . . . . .	205
Install the Rewind/Liner Take-Up Plate . . . . .	207

## Adjust Printer Settings

This section presents the printer settings that you can change and identifies the tools for changing them. These tools include the following:

- The printer's **user menus**  
See the information that follows in this section.
- ZPL and Set/Get/Do (SGD) commands  
See the *Zebra<sup>®</sup> Programming Guide* for more information.
- The printer's **web pages** when the printer has an active wired or wireless print server connection  
See the *ZebraNet Wired and Wireless Print Servers User Guide* for more information.

Copies of the referenced manuals are available at <http://www.zebra.com/manuals>.

**User Menus** The following are the printer’s user menus and the menu items that appear in each. Click any menu item to go to its description. For navigation instructions, see *Navigating through Screens in the Standard Display on page 19*.



**SETTINGS**

- DARKNESS
- PRINT SPEED
- MEDIA TYPE
- PRINT METHOD
- TEAR OFF
- PRINT WIDTH
- PRINT MODE
- LABEL TOP
- LEFT POSITION
- REPRINT MODE
- LABEL LENGTH MAX
- COVER OPEN LIGHT
- MEDIA PATH LIGHTS
- RIBBON PATH LIGHTS
- LANGUAGE\*\*
- TOOLS MENU\*



**TOOLS**

- PRINT INFORMATION\*\*
- IDLE DISPLAY
- POWER UP ACTION
- HEAD CLOSE ACTION
- LOAD DEFAULTS
- MEDIA/RIBBON CAL\*\*
- DIAGNOSTIC MODE
- ENERGY STAR
- CONFIG INFO TO USB
- ZBI ENABLED?
- RUN ZBI PROGRAM
- STOP ZBI PROGRAM
- PRINT USB FILE
- COPY USB FILE TO E:
- STORE E: FILE TO USB
- PRINT STATION
- PASSWORD PROTECT
- APPLCTR ERR: PAUSE
- PRINT TEST FORMAT
- NETWORK MENU\*



**NETWORK**

- ACTIVE PRINT SERVER
- PRIMARY NETWORK
- WIRED IP ADDRESS
- WIRED SUBNET MASK
- WIRED GATEWAY
- WIRED IP PROTOCOL
- WIRED MAC ADDRESS
- WLAN IP ADDRESS
- WLAN SUBNET MASK
- WLAN GATEWAY
- WLAN IP PROTOCOL
- WLAN MAC ADDRESS
- ESSID
- CHANNEL
- SIGNAL
- IP PORT
- IP ALTERNATE PORT
- PRINT INFORMATION\*\*
- RESET NETWORK
- VISIBILITY AGENT
- LOAD DEFAULTS
- RFID MENU\*



**RFID**

- RFID STATUS
- RFID CALIBRATE
- READ RFID DATA
- RFID TEST
- RFID PROGRAM POS.
- RFID ANTENNA
- RFID READ POWER
- RFID WRITE POWER
- RFID VALID COUNT
- RFID VOID COUNT
- LANGUAGE MENU\*

\* Denotes a shortcut to the next user menu.

\*\* Appears in multiple user menus for your convenience.



**LANGUAGE**

- LANGUAGE\*\*
- COMMAND LANGUAGE
- COMMAND CHAR
- CONTROL CHAR
- DELIMITER CHAR
- ZPL MODE
- VIRTUAL DEVICE
- SENSORS MENU\*



**SENSORS**

- SENSOR TYPE
- MEDIA/RIBBON CAL\*\*
- PRINT INFORMATION\*\*
- SELF ADJUST SENSOR
- LABEL SENSOR
- TAKE LABEL
- PORTS MENU\*



**PORTS**

- BAUD RATE
- DATA BITS
- PARITY
- HOST HANDSHAKE
- WML
- BLUETOOTH MENU\*



**BLUETOOTH**

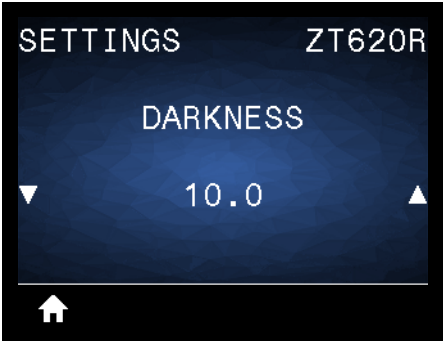
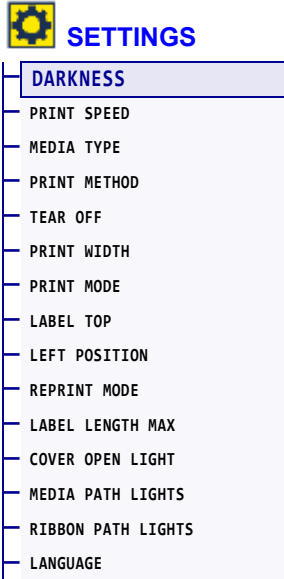
- BLUETOOTH ADDRESS
- MODE
- DISCOVERY
- CONNECTED
- BT SPEC VERSION
- MIN SECURITY MODE
- SETTINGS MENU\*

\* Denotes a shortcut to the next user menu.

\*\* Appears in multiple user menus for your convenience.



# SETTINGS > DARKNESS

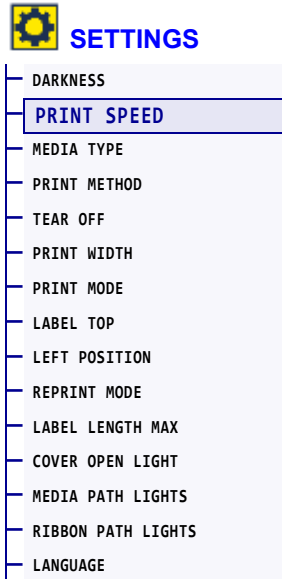


Set the print darkness to the lowest setting that provides good print quality. If you set the darkness too high, the label image may print unclearly, barcodes may not scan correctly, the ribbon may burn through, or the printhead may wear prematurely.

If desired, use the *Optimal Darkness and Speed Test* on page 237 to determine the best darkness setting.

<i>Accepted values:</i>	0.0 to 30.0
<i>Related ZPL command(s):</i>	^MD, ~SD
<i>SGD command used:</i>	print.tone
<i>Printer web page:</i>	View and Modify Printer Settings > General Setup > Darkness

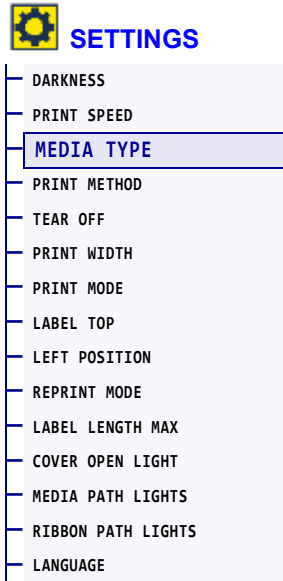
## SETTINGS > PRINT SPEED



Select the speed, in inches per second (ips), for printing a label. Slower print speeds typically yield better print quality.

<i>Accepted values:</i>	ZT610 203 dpi = 2 to 14 ips ZT610 300 dpi = 2 to 12 ips ZT610 600 dpi = 1 to 6 ips ZT620 203 dpi = 2 to 12 ips ZT620 300 dpi = 2 to 8 ips
<i>Related ZPL command(s):</i>	^PR
<i>SGD command used:</i>	media.speed

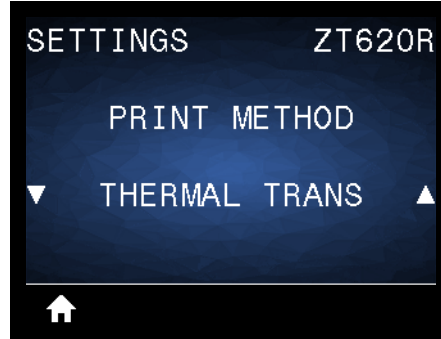
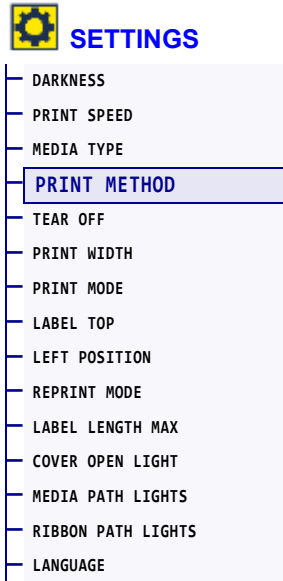
## SETTINGS > MEDIA TYPE



Select the type of media that you are using.

<i>Accepted values:</i>	<ul style="list-style-type: none"> <li>• CONTINUOUS</li> <li>• GAP/NOTCH</li> <li>• MARK</li> </ul> <p>If you select <b>CONTINUOUS</b>, you must include a label length in your label format (^LL if you are using ZPL). If you select <b>GAP/NOTCH</b> or <b>MARK</b> for various noncontinuous media, the printer feeds media to calculate the label length.</p> <p>See <i>Types of Media</i> on page 22 for more information.</p>
<i>Related ZPL command(s):</i>	^MN
<i>SGD command used:</i>	ezpl.media_type
<i>Printer web page:</i>	View and Modify Printer Settings > Media Setup > Media Type

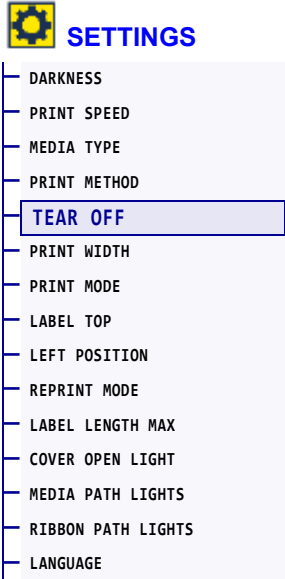
## SETTINGS > PRINT METHOD



Specify if the printer needs to use ribbon for printing.

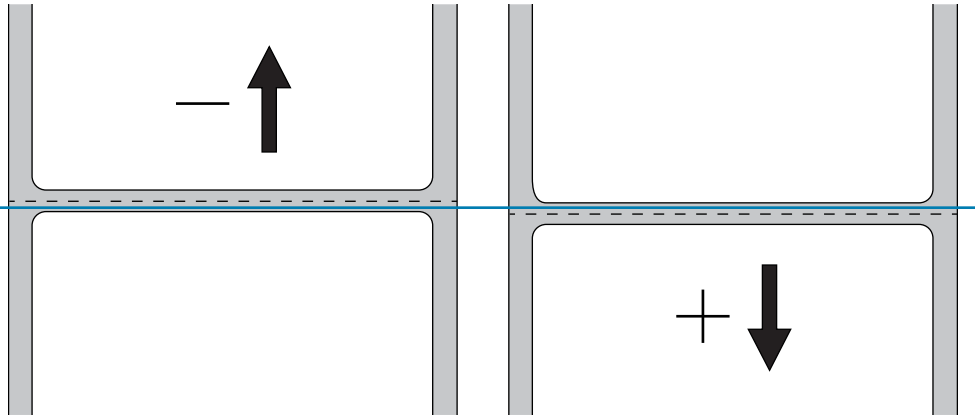
<i>Accepted values:</i>	<ul style="list-style-type: none"> <li>• <b>THERMAL TRANS</b>—Uses ribbon and thermal transfer media.</li> <li>• <b>DIRECT THERMAL</b>—Uses direct thermal media and no ribbon.</li> </ul>
<i>Related ZPL command(s):</i>	^MT
<i>SGD command used:</i>	ezpl.print_method
<i>Printer web page:</i>	View and Modify Printer Settings > Media Setup > Print Method

# SETTINGS > TEAR OFF



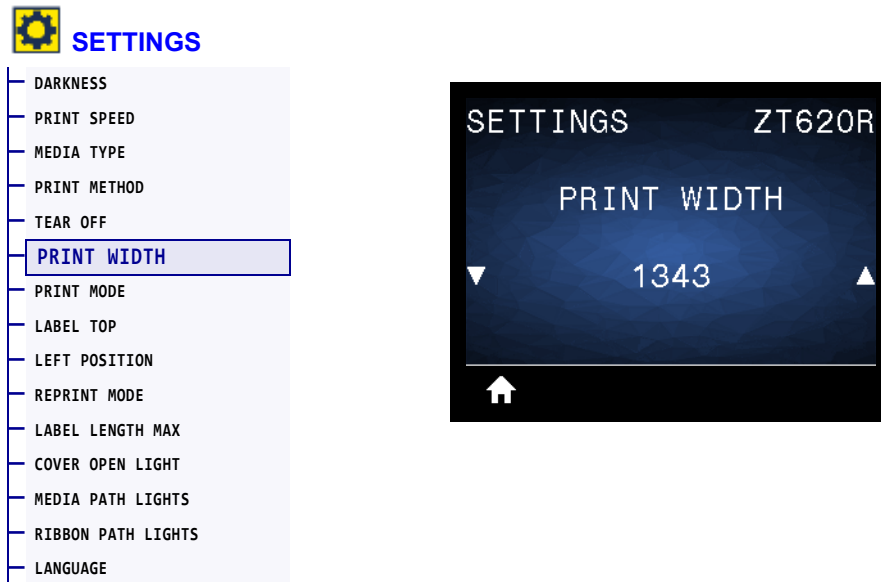
If necessary, shift the position of the media over the tear-off bar after printing.

- Lower numbers move the media into the printer by the specified number of dots (the tear line moves closer to the edge of the label just printed).
- Higher numbers move the media out of the printer (the tear line moves closer to the leading edge of the next label).




<i>Accepted values:</i>	-120 to 120
<i>Related ZPL command(s):</i>	~TA
<i>SGD command used:</i>	ezpl.tear_off
<i>Printer web page:</i>	View and Modify Printer Settings > General Setup > Tear Off

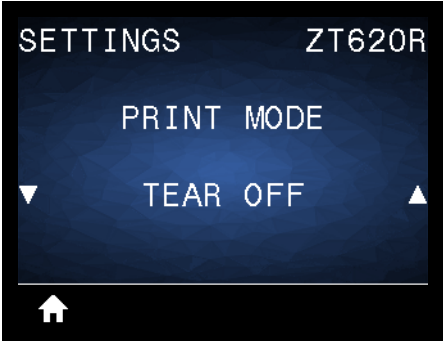
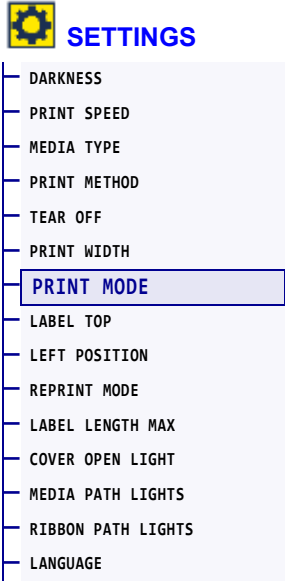
## SETTINGS > PRINT WIDTH



Specify the width of the labels being used, in dots. The default value is the maximum width for the printer, based on the printhead's DPI value.

<p><i>Accepted values:</i></p>	<p> <b>Note</b> • Setting the width too narrow can result in portions of a label format not being printed on the media. Setting the width too wide wastes formatting memory and can cause the printer to print off of the label and onto the platen roller. This setting can affect the horizontal position of the label format if the image was inverted using the <b>^POI</b> ZPL II command.</p> <p>ZT610 203 dpi = <b>0002</b> to <b>832</b>          ZT610 300 dpi = <b>0002</b> to <b>1248</b>          ZT610 600 dpi = <b>0002</b> to <b>2496</b>          ZT620 203 dpi = <b>0002</b> to <b>1344</b>          ZT620 300 dpi = <b>0002</b> to <b>1984</b></p>
<p><i>Related ZPL command(s):</i></p>	<p><b>^PW</b></p>
<p><i>SGD command used:</i></p>	<p><b>ezpl.print_width</b></p>
<p><i>Printer web page:</i></p>	<p>View and Modify Printer Settings &gt; Media Setup &gt; Print Width</p>

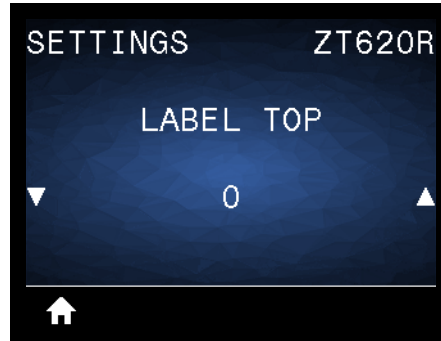
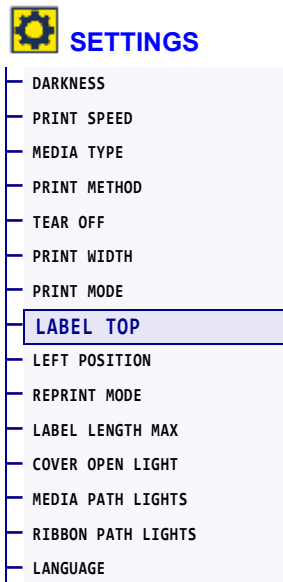
## SETTINGS > PRINT MODE



Select a print mode that is compatible with your printer options. For information about how the print mode selections work with different printer options, see [Select a Print Mode on page 31](#).

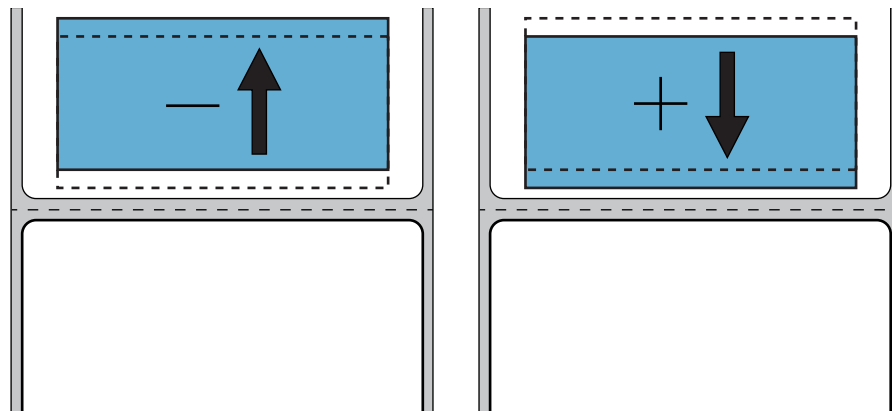
<i>Accepted values:</i>	<ul style="list-style-type: none"> <li>• TEAR OFF</li> <li>• PEEL-OFF</li> <li>• REWIND</li> <li>• CUTTER</li> <li>• DELAYED CUT</li> <li>• LINERLESS PEEL</li> <li>• LINERLESS REWIND</li> <li>• LINERLESS TEAR</li> <li>• APPLICATOR</li> </ul>
<i>Related ZPL command(s):</i>	^MM
<i>SGD command used:</i>	media.printmode
<i>Printer web page:</i>	View and Modify Printer Settings > General Setup > Print Mode

## SETTINGS > LABEL TOP



If necessary, shift the position of the image vertically on the label.

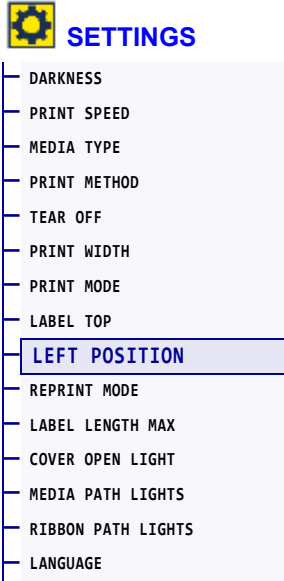
- Negative numbers move the image higher on the label (toward the printhead).
- Positive numbers move the image farther down on the label (away from the printhead) by the specified number of dots.



<i>Accepted values:</i>	-120 to +120
<i>Related ZPL command(s):</i>	^LT
<i>SGD command used:</i>	media.printmode
<i>Printer web page:</i>	View and Modify Printer Settings > General Setup > Print Mode

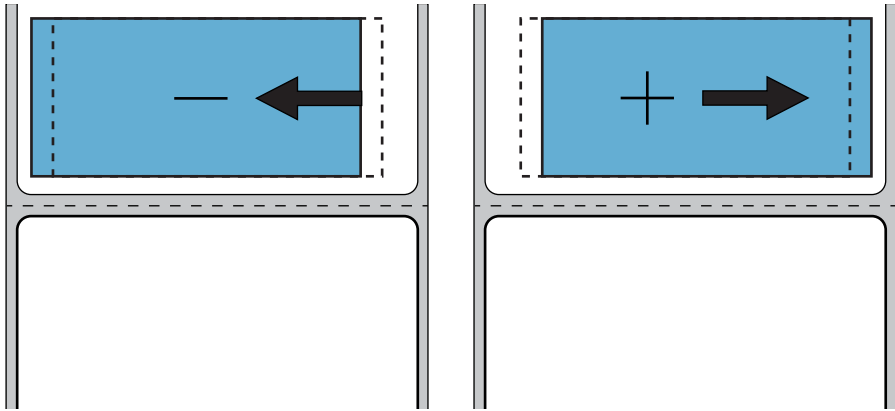


# SETTINGS > LEFT POSITION



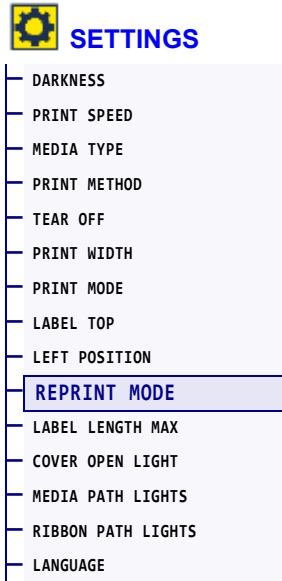
If necessary, shift the position of the image horizontally on the label.

- Negative numbers move the left edge of the image toward the left edge of the label by the number of dots selected.
- Positive numbers move the edge of the image toward the right edge of the label.



Accepted values:	-9999 to 9999
Related ZPL command(s):	^LS
SGD command used:	zpl.left_position
Printer web page:	View and Modify Printer Settings > Advanced Setup > Left Position

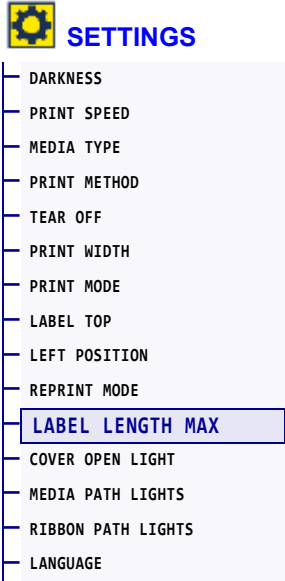
## SETTINGS > REPRINT MODE



When reprint mode is enabled, you can reprint the last label printed by pressing and holding PAUSE + CANCEL or by pressing the DOWN ARROW when at the printer's Idle Display.

<i>Accepted values:</i>	<ul style="list-style-type: none"> <li>• ON</li> <li>• OFF</li> </ul>
<i>Related ZPL command(s):</i>	^JZ
<i>SGD command used:</i>	ezpl.reprint_mode

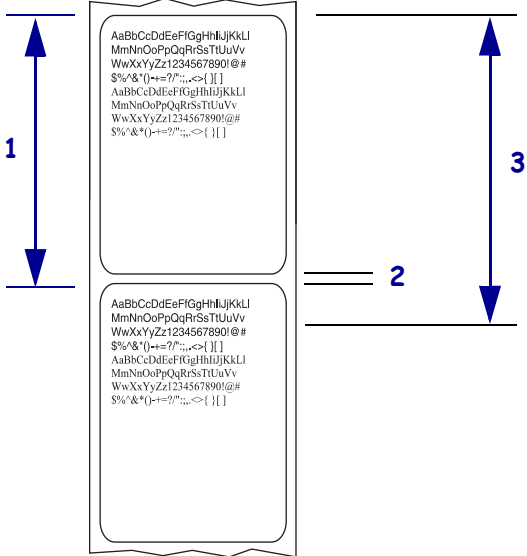
# SETTINGS > LABEL LENGTH MAX



Set a maximum label length that is at least 1.0 in. (25.4 mm) greater than the actual label length plus the interlabel gap. If you set this value too small, the printer assumes that continuous media is loaded and cannot calibrate.

*Accepted values:*

0 to the maximum label length supported by the printer  
For example, if the label length is 6.0 inches (152 mm) including the interlabel gap, set the parameter for at least 7.0 inches (178 mm).



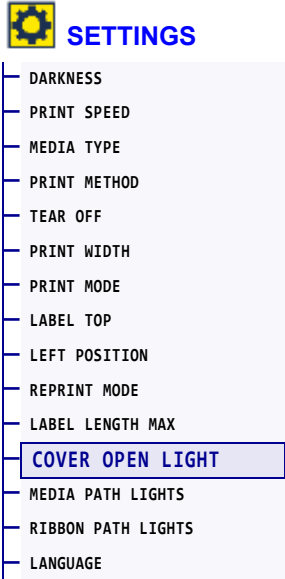
<b>1</b>	Label length (including interlabel gap)
<b>2</b>	Interlabel gap
<b>3</b>	Minimum label length value



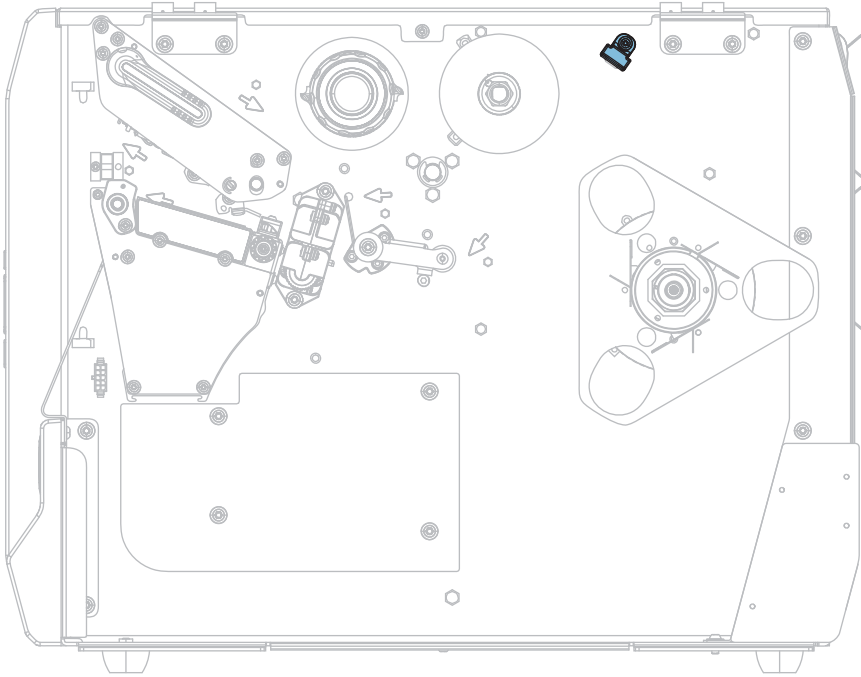
**116** | **Printer Configuration and Adjustment**  
Adjust Printer Settings

<i>Related ZPL command(s):</i>	^ML
<i>SGD command used:</i>	ezpl.label_length_max
<i>Printer web page:</i>	View and Modify Printer Settings > Media Setup > Maximum Length

# SETTINGS > COVER OPEN LIGHT



Set the brightness of the light that turns on when the media door is open.



<i>Accepted values:</i>	<ul style="list-style-type: none"><li>• HIGH</li><li>• MEDIUM</li><li>• LOW</li><li>• OFF</li></ul>
<i>SGD command used:</i>	<code>device.light.cover_open_brightness</code>



## SETTINGS > MEDIA PATH LIGHTS

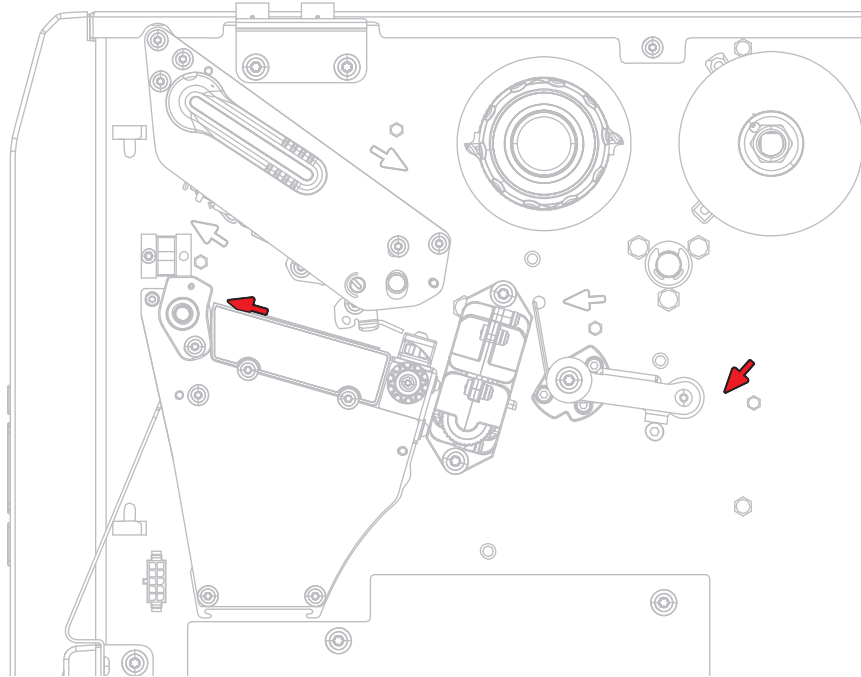


### SETTINGS

- DARKNESS
- PRINT SPEED
- MEDIA TYPE
- PRINT METHOD
- TEAR OFF
- PRINT WIDTH
- PRINT MODE
- LABEL TOP
- LEFT POSITION
- REPRINT MODE
- LABEL LENGTH MAX
- COVER OPEN LIGHT
- MEDIA PATH LIGHTS**
- RIBBON PATH LIGHTS
- LANGUAGE



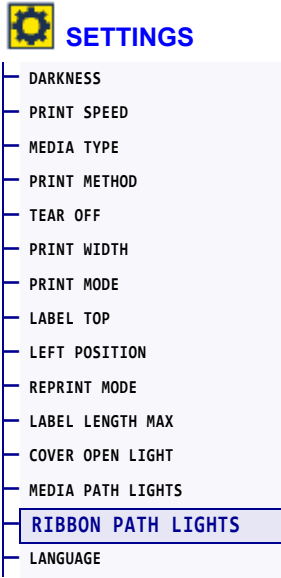
Set the brightness of the lights that illuminate the media path when the media is out.



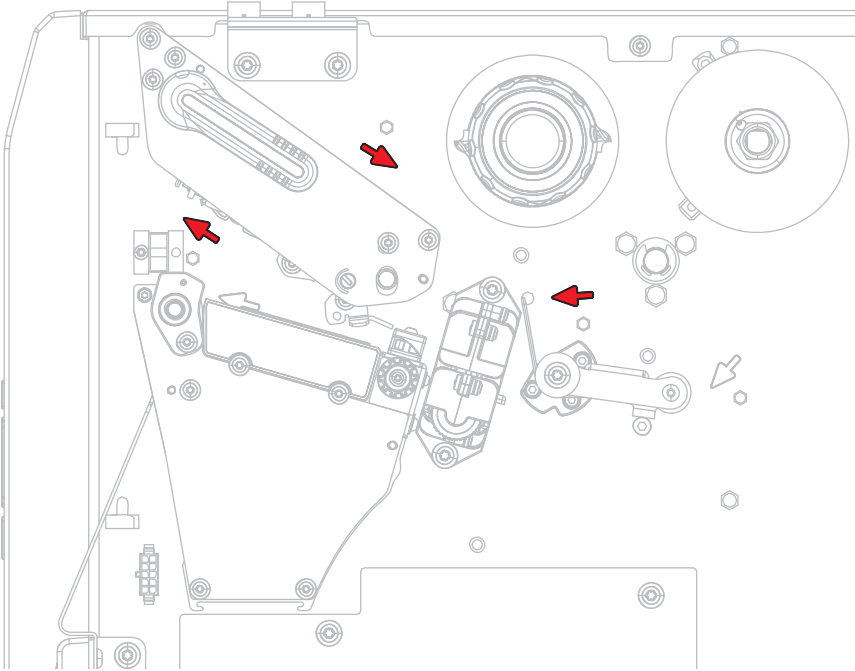
<i>Accepted values:</i>	<ul style="list-style-type: none"><li>• HIGH</li><li>• MEDIUM</li><li>• LOW</li><li>• OFF</li></ul>
<i>SGD command used:</i>	<code>device.light.media_path_brightness</code>



# SETTINGS > RIBBON PATH LIGHTS



Set the brightness of the lights that illuminate the ribbon path when the ribbon is out.



<i>Accepted values:</i>	<ul style="list-style-type: none"><li>• HIGH</li><li>• MEDIUM</li><li>• LOW</li><li>• OFF</li></ul>
<i>SGD command used:</i>	<code>device.light.ribbon_path_brightness</code>

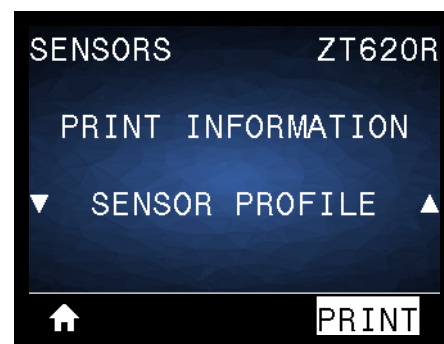
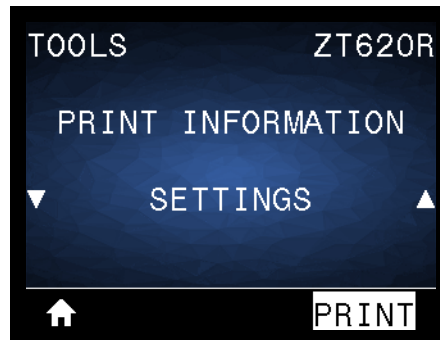


## TOOLS > PRINT INFORMATION



### TOOLS

<b>PRINT INFORMATION</b>
IDLE DISPLAY
POWER UP ACTION
HEAD CLOSE ACTION
LOAD DEFAULTS
MEDIA/RIBBON CAL
DIAGNOSTIC MODE
ENERGY STAR
CONFIG INFO TO USB
ZBI ENABLED?
RUN ZBI PROGRAM
STOP ZBI PROGRAM
PRINT USB FILE
COPY USB FILE TO E:
STORE E: FILE TO USB
PRINT STATION
PASSWORD PROTECT
APPLCTR ERR: PAUSE
PRINT TEST FORMAT



Print the specified information on one or more labels. This menu item is available through three user menus with different default values for each.

*Accepted values:*

- **SETTINGS**—Prints a printer configuration label. (See [CONFIG INFO TO USB](#) on page 130 for other ways to view this information.) A sample label is shown in [Figure 15](#) on page 121.
- **NETWORK**—Prints the settings for any print server or Bluetooth device that is installed. A sample label is shown in [Figure 16](#) on page 121.
- **FORMATS**—Prints the available formats stored in the printer’s RAM, Flash memory, or optional memory card.
- **IMAGES**—Prints the available images stored in the printer’s RAM, Flash memory, or optional memory card.
- **FONTS**—Prints the available fonts in the printer, including standard printer fonts plus any optional fonts. Fonts may be stored in RAM or Flash memory.
- **BARCODES**—Prints the available barcodes in the printer. Barcodes may be stored in RAM or Flash memory.
- **ALL**—Prints the previous six labels.
- **SENSOR PROFILE**—Shows the sensor settings compared to actual sensor readings. To interpret the results, see [Sensor Profile](#) on page 240.



<i>Related ZPL command(s):</i>	SETTINGS: ~WC NETWORK: ~WL SENSOR PROFILE: ~JG Others: ^WD
<i>Control panel key(s):</i>	SETTINGS and NETWORK: Do one of the following: <ul style="list-style-type: none"> <li>• Hold CANCEL during printer power-up. (Formerly called a CANCEL self test.</li> <li>• Hold FEED + CANCEL for 2 seconds when the printer is in the Ready state.</li> </ul> SENSOR PROFILE: Hold FEED + CANCEL during printer power-up.
<i>Printer web page:</i>	View and Modify Printer Settings > Print Listings on Label

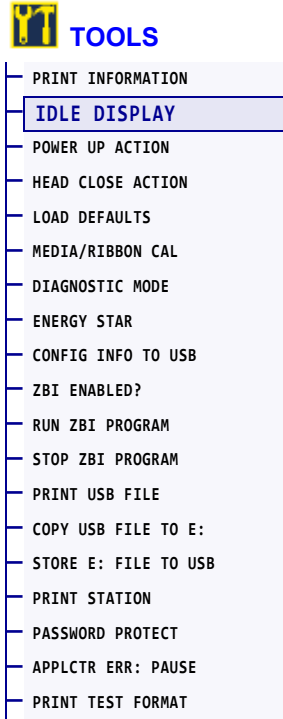
Figure 15 • Sample Printer Configuration Label



Figure 16 • Sample Network Configuration Label



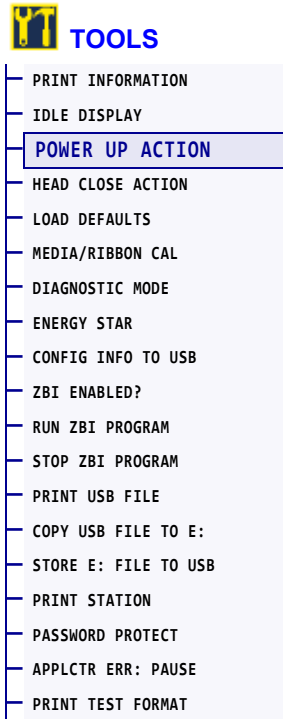
## TOOLS > IDLE DISPLAY



Select the information shown on the printer's display when the printer is idle.

<i>Accepted values:</i>	<ul style="list-style-type: none"> <li>• FW VERSION</li> <li>• IP ADDRESS</li> <li>• MM/DD/YY 24 HR</li> <li>• MM/DD/YY 12 HR</li> <li>• DD/MM/YY 24 HR</li> <li>• DD/MM/YY 12 HR</li> </ul>
<i>SGD command used:</i>	<pre>device.idle_display_format device.idle_display_value</pre>

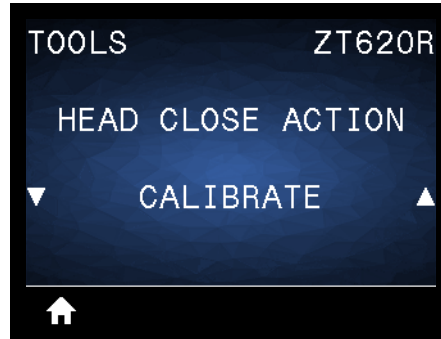
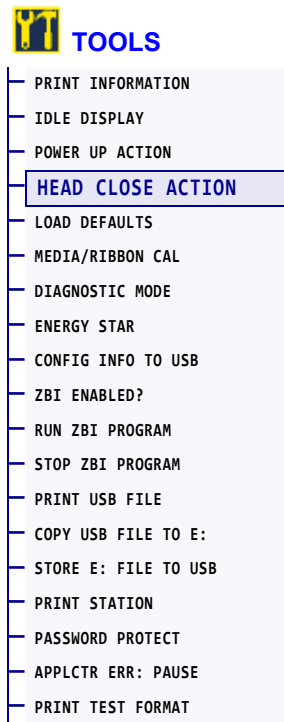
## TOOLS > POWER UP ACTION



Set the action for the printer to take during the power-up sequence.

<i>Accepted values:</i>	<ul style="list-style-type: none"> <li>• <b>CALIBRATE</b>—Adjusts sensor levels and thresholds, determines the label length, and feeds the media to the next web.</li> <li>• <b>FEED</b>—Feeds the labels to the first registration point.</li> <li>• <b>LENGTH</b>—Determines the label length using current sensor values, and feeds the media to the next web.</li> <li>• <b>NO MOTION</b>—Tells the printer not to move the media. You must manually ensure that the web is positioned correctly, or press feed to position the next web.</li> <li>• <b>SHORT CAL</b>—Sets the media and web thresholds without adjusting sensor gain, determines the label length, and feeds the media to the next web.</li> </ul>
<i>Related ZPL command(s):</i>	^MF
<i>SGD command used:</i>	ezpl.power_up_action
<i>Printer web page:</i>	View and Modify Printer Settings > Calibration

## TOOLS > HEAD CLOSE ACTION



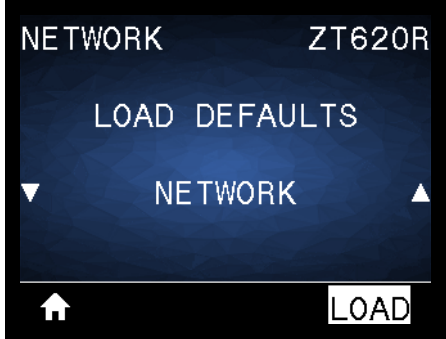
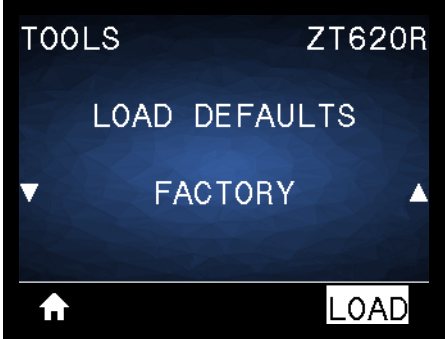
Set the action for the printer to take when you close the printhead.

<i>Accepted values:</i>	<ul style="list-style-type: none"> <li>• <b>CALIBRATE</b>—Adjusts sensor levels and thresholds, determines the label length, and feeds the media to the next web.</li> <li>• <b>FEED</b>—Feeds the labels to the first registration point.</li> <li>• <b>LENGTH</b>—Determines the label length using current sensor values, and feeds the media to the next web.</li> <li>• <b>NO MOTION</b>—Tells the printer not to move the media. You must manually ensure that the web is positioned correctly, or press feed to position the next web.</li> <li>• <b>SHORT CAL</b>—Sets the media and web thresholds without adjusting sensor gain, determines the label length, and feeds the media to the next web.</li> </ul>
<i>Related ZPL command(s):</i>	^MF
<i>SGD command used:</i>	ezpl.head_close_action
<i>Printer web page:</i>	View and Modify Printer Settings > Calibration

## TOOLS > LOAD DEFAULTS

**TOOLS**

- PRINT INFORMATION
- IDLE DISPLAY
- POWER UP ACTION
- HEAD CLOSE ACTION
- LOAD DEFAULTS**
- MEDIA/RIBBON CAL
- DIAGNOSTIC MODE
- ENERGY STAR
- CONFIG INFO TO USB
- ZBI ENABLED?
- RUN ZBI PROGRAM
- STOP ZBI PROGRAM
- PRINT USB FILE
- COPY USB FILE TO E:
- STORE E: FILE TO USB
- PRINT STATION
- PASSWORD PROTECT
- APPLCTR ERR: PAUSE
- PRINT TEST FORMAT



Restore specific printer, print server, and network settings back to the factory defaults. Use care when loading defaults because you will need to reload all settings that you changed manually. This menu item is available through two user menus with different default values for each.

<i>Accepted values:</i>	<ul style="list-style-type: none"> <li>• <b>FACTORY</b>—Restores all printer settings other than the network settings back to the factory defaults. Use care when loading defaults because you will need to reload all settings that you changed manually.</li> <li>• <b>NETWORK</b>—Reinitializes the printer’s wired or wireless print server. With a wireless print server, the printer also reassociates with your wireless network.</li> <li>• <b>LAST SAVED</b>—Loads settings from the last permanent save.</li> </ul>
<i>Related ZPL command(s):</i>	<p>FACTORY: ^JUF          NETWORK: ^JUN          LAST SAVED: ^JUR</p>

<i>Control panel key(s):</i>	FACTORY: Hold FEED + PAUSE during printer power-up to reset the printer parameters to factory values. (Formerly called a FEED + PAUSE self test.) NETWORK: Hold CANCEL + PAUSE during printer power-up to reset the network parameters to factory values. (Formerly called a CANCEL + PAUSE self test.) LAST SAVED: N/A
<i>Printer web page:</i>	FACTORY: View and Modify Printer Settings > Restore Default Configuration NETWORK: Print Server Settings > Reset Print Server LAST SAVED: View and Modify Printer Settings > Restore Saved Configuration

## TOOLS > MEDIA/RIBBON CAL


### TOOLS

- PRINT INFORMATION
- IDLE DISPLAY
- POWER UP ACTION
- HEAD CLOSE ACTION
- LOAD DEFAULTS
- MEDIA/RIBBON CAL**
- DIAGNOSTIC MODE
- ENERGY STAR
- CONFIG INFO TO USB
- ZBI ENABLED?
- RUN ZBI PROGRAM
- STOP ZBI PROGRAM
- PRINT USB FILE
- COPY USB FILE TO E:
- STORE E: FILE TO USB
- PRINT STATION
- PASSWORD PROTECT
- APPLCTR ERR: PAUSE
- PRINT TEST FORMAT

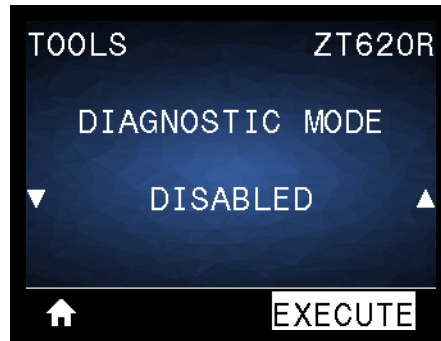
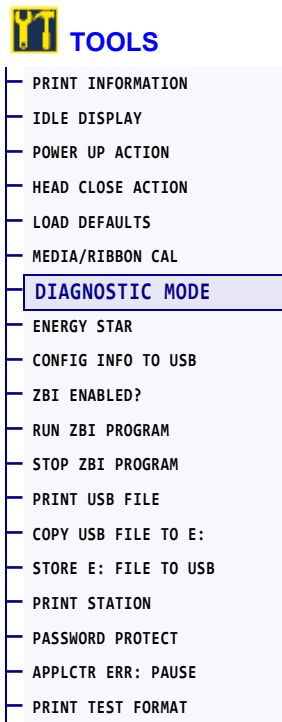


Calibrate the printer to adjust the sensitivity of the media and ribbon sensors.

For complete instructions on how to perform a calibration procedure, see [Calibrate the Ribbon and Media Sensors on page 192](#).

<i>Related ZPL command(s):</i>	~JC
<i>SGD command used:</i>	ezpl.manual_calibration
<i>Control panel key(s):</i>	Hold PAUSE + FEED + CANCEL for 2 seconds to initiate calibration.
<i>Printer web page:</i>	<p>The calibration procedure cannot be initiated through the web pages. See the following web page for settings that are set during sensor calibration:</p> <p style="padding-left: 40px;">View and Modify Printer Settings &gt; Calibration</p> <p> <b>Important</b> • Do not change these settings unless you are told to do so by Zebra Technical Support or by an authorized service technician.</p>

## TOOLS > DIAGNOSTIC MODE

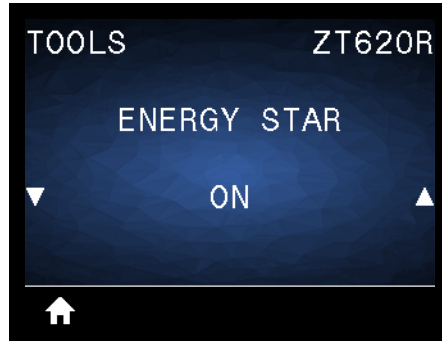
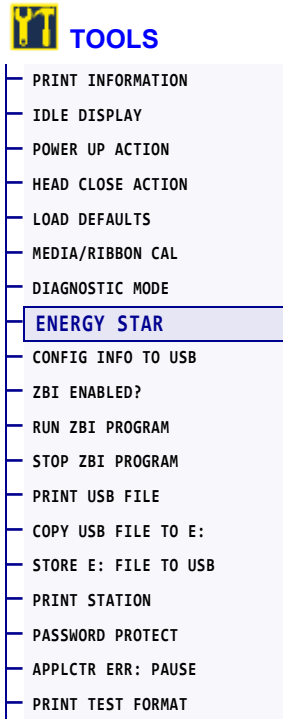


Use this diagnostics tool to cause the printer to output the hexadecimal values for all data received by the printer. For more information, see [Communication Diagnostics Test on page 239](#).

<i>Accepted values:</i>	<ul style="list-style-type: none"> <li>• <b>DISABLED</b></li> <li>• <b>ENABLED</b></li> </ul>
<i>Related ZPL command(s):</i>	~JD to enable, ~JE to disable
<i>SGD command used:</i>	device.diagnostic_print
<i>Control panel key(s):</i>	Hold PAUSE + FEED for 2 seconds when the printer is in the Ready state.



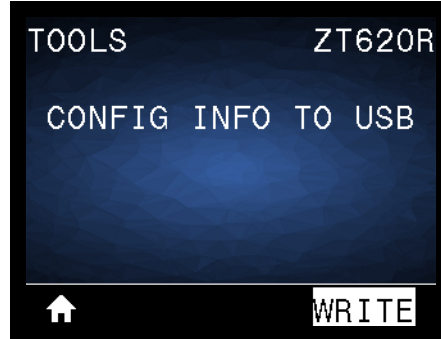
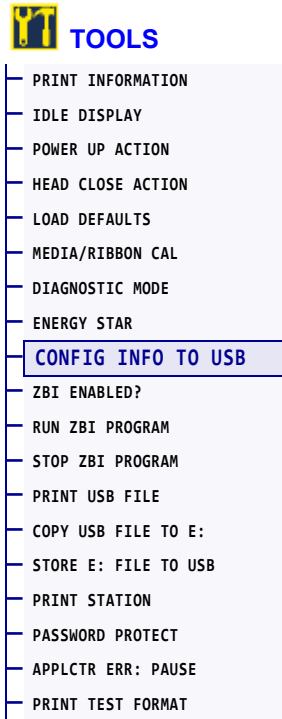
## TOOLS > ENERGY STAR



When Energy Star mode is enabled, the printer goes into a “sleep” mode after a timeout period, thereby lowering power consumption. Press any button on the control panel to bring the printer back to an active state.

<i>Accepted values:</i>	<ul style="list-style-type: none"> <li>• ON</li> <li>• OFF</li> </ul>
<i>SGD command used:</i>	<p><code>power.energy_star.enable</code>  <code>power.energy_star_timeout</code>          (to set the amount of idle time before Energy Star is invoked)</p>

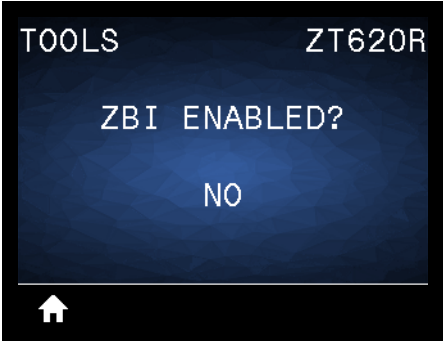
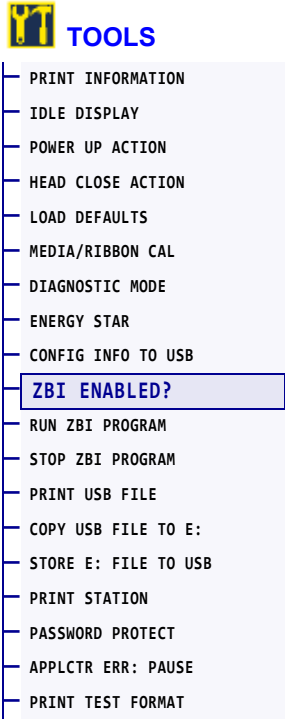
## TOOLS > CONFIG INFO TO USB



Use this function to copy the printer's configuration information to a USB mass storage device, such as a USB Flash drive, that is plugged into one of the printer's USB host ports. This makes the information accessible without having to print physical labels. To print the information to labels, see [PRINT INFORMATION](#) on page 120.

<i>Related ZPL command(s):</i>	<b>^HH</b> —Returns the printer configuration information returned to the host computer.
<i>Printer web page:</i>	Printer Home Page > View Printer Configuration (to view printer configuration information on your web browser) View and Modify Printer Settings > Print Listings on Label (to print the configuration information on labels)

# TOOLS > ZBI ENABLED?



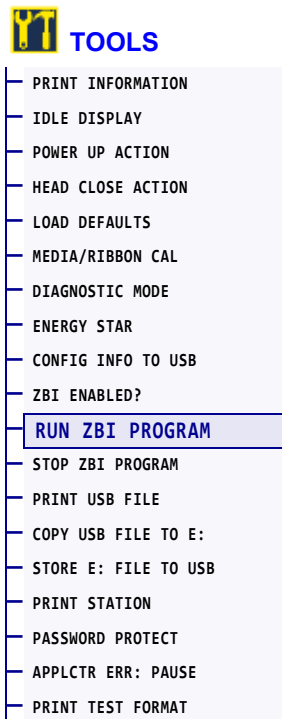
Zebra Basic Interpreter (ZBI 2.0™) is a programming option that may be purchased for your printer. If you would like to purchase this option, contact your Zebra reseller for more information.

---

<i>SGD command used:</i>	<b>zbi.key</b> (identifies if the ZBI 2.0 option is enabled or disabled on the printer)
--------------------------	---

---

## TOOLS > RUN ZBI PROGRAM



\* This menu item appears only if ZBI is enabled on your printer.

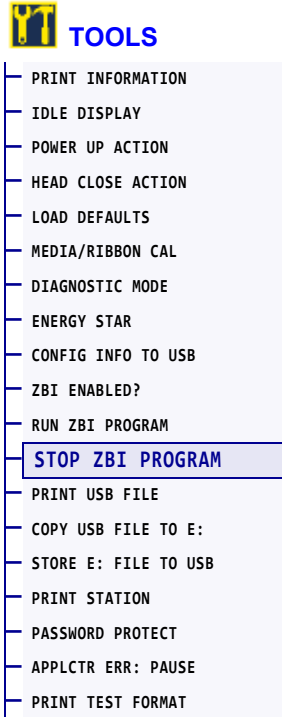
If ZBI programs have been downloaded to your printer, you may select one to run using this menu item. If no program exists on your printer, NONE is listed.

### To run a ZBI program that you have downloaded to your printer:

1. Use the UP ARROW or DOWN ARROW to select a file from this menu.
2. Press RIGHT SELECT to select **RUN**. If no program exists, the **RUN** option does not perform an action.

<i>Related ZPL command(s):</i>	^JI, ~JI
<i>SGD command used:</i>	zbi.control.run
<i>Printer web page:</i>	Printer Home Page > Directory Listing

## TOOLS > STOP ZBI PROGRAM



\* This menu item appears only if a ZBI program is running on your printer.

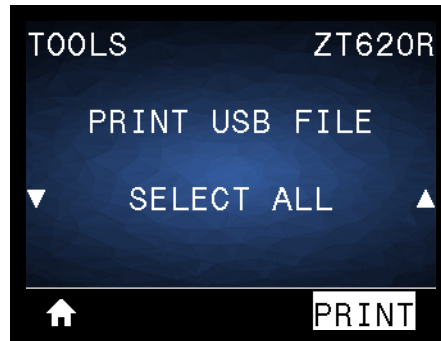
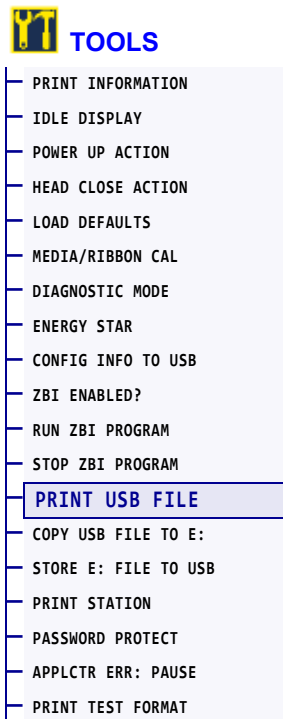
Use this menu item to stop a ZBI program. The printer lists only programs that are running.

### To stop a ZBI program:

1. If necessary, use the UP ARROW or DOWN ARROW to select the file from this menu.
2. Press RIGHT SELECT to select **STOP**.

<i>Related ZPL command(s):</i>	~JQ
<i>SGD command used:</i>	zbi.control.terminate
<i>Printer web page:</i>	Printer Home Page > Directory Listing

## TOOLS > PRINT USB FILE



\* This menu item can be used only if a USB Flash drive is inserted into a USB host port on the printer.

Select files to print from a USB Flash drive. See the exercises in *Using the USB Hosts Port and the NFC Capabilities* on page 261 for an exercise using this capability.

### To print files from a USB Flash drive:

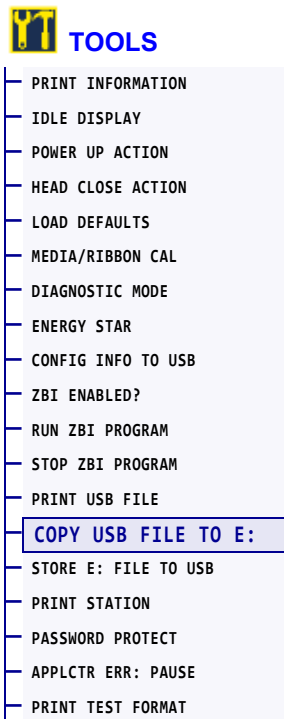
1. Insert a USB Flash drive into the printer's USB host port.  
The printer lists available files. **SELECT ALL** is available to print all available files on the USB Flash drive.
2. Use the UP ARROW or DOWN ARROW to select a file from this menu.
3. Press RIGHT SELECT to select **PRINT**.

---

SGD command used:	usb.host.read_list
-------------------	--------------------

---

## TOOLS > COPY USB FILE TO E:



\* This menu item can be used only if a USB Flash drive is inserted into a USB host port on the printer.

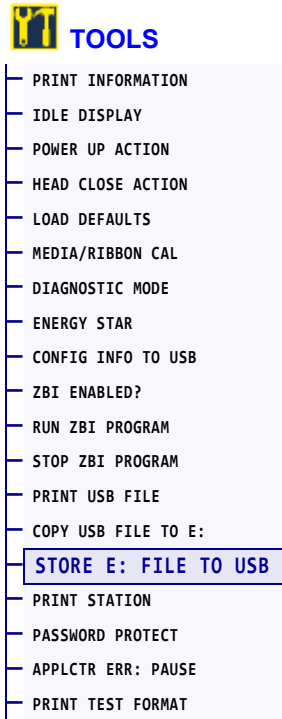
Select files to copy to the printer from a USB Flash drive. See the exercises in *Using the USB Hosts Port and the NFC Capabilities* on page 261 for an exercise using this capability.

### To copy files to the printer from a USB Flash drive:

1. Insert a USB flash drive into the printer's USB host port.  
The printer lists available files. **SELECT ALL** is available to copy all available files from the USB Flash drive.
2. Use the UP ARROW or DOWN ARROW to select a file from this menu.
3. Press RIGHT SELECT to select **STORE**.

SGD command used:	usb.host.read_list
-------------------	--------------------

## TOOLS > STORE E: FILE TO USB



\* This menu item can be used only if a USB Flash drive is inserted into a USB host port on the printer.

Select files from the printer to store on a USB Flash drive. See the exercises in *Using the USB Hosts Port and the NFC Capabilities* on page 261 for an exercise using this capability.

### To copy files from the printer to a USB Flash drive:

1. Insert a USB flash drive into the printer's USB host port.  
The printer lists available files. **SELECT ALL** is available to store all files available files from the printer on the USB Flash drive.
2. Use the UP ARROW or DOWN ARROW to select a file from this menu.
3. Press RIGHT SELECT to select **STORE**.

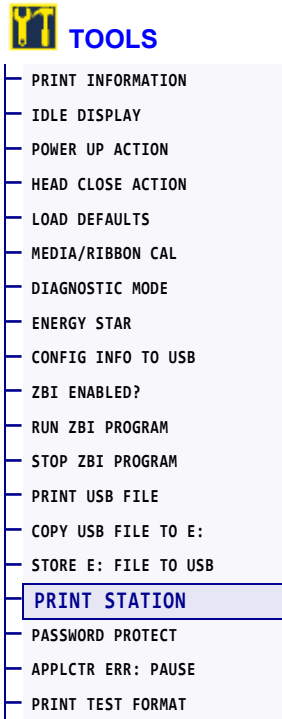
---

SGD command used:	usb.host.write_list
-------------------	---------------------

---



## TOOLS > PRINT STATION



\* This menu item can be used only if a USB Flash drive with a suitable label format is inserted into a USB host port on the printer.

Use this menu item to fill in variable fields in a label format and print the label using a Human Input Device (HID), such as a USB keyboard, scale, or barcode scanner. A suitable label format must be stored on the E: drive of the printer to use this option. See the exercises in *Using the USB Hosts Port and the NFC Capabilities* on page 261 for an exercise using this capability.

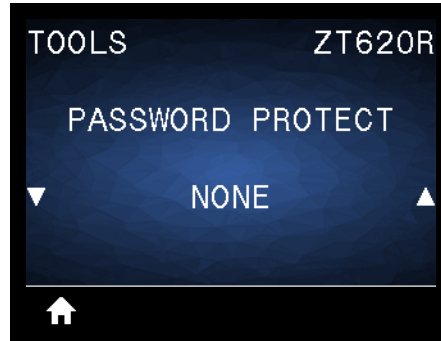
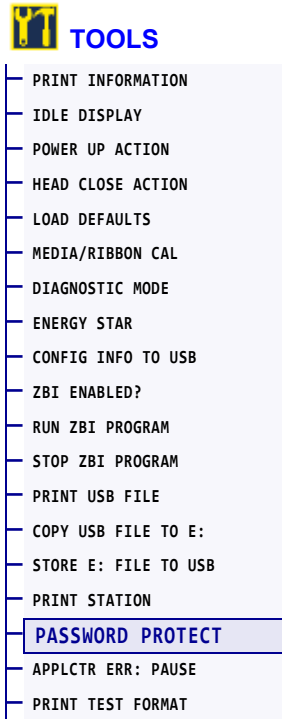
When you plug an HID into one of the printer's USB host ports, use this user menu to select a form on the printer's E: drive. After you have been prompted to fill in each variable **^FN** field on the form, you can specify the desired quantity of labels to print.

For more information about using the **^FN** command or the SGD commands related to this feature, refer to the *Zebra Programming Guide*. You can download a copy of the manual from <http://www.zebra.com/manuals/>.

SGD command used:

```
usb.host.keyboard_input (must be set to ON)
usb.host.template_list
usb.host.fn_field_list
usb.host.fn_field_data
usb.host.fn_last_field
usb.host.template_print_amount
```

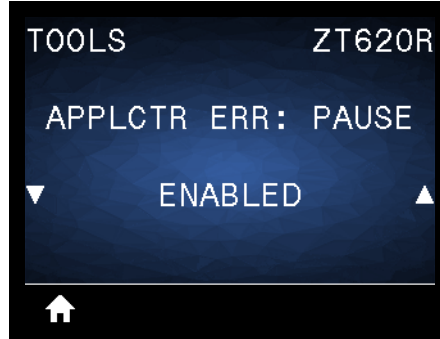
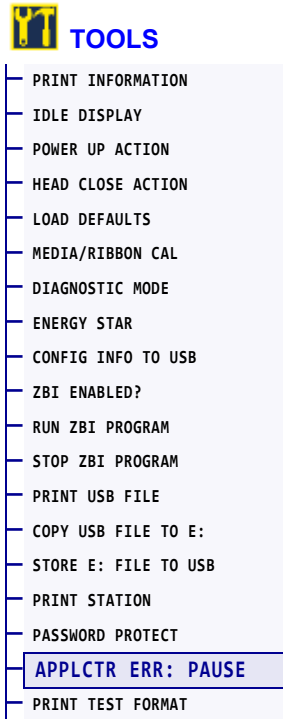
## TOOLS > PASSWORD PROTECT



Select the level of password protection for user menu items. The default printer password is 1234.

<i>Accepted values:</i>	<ul style="list-style-type: none"> <li>• NONE</li> <li>• <b>SELECTED</b></li> <li>• ALL</li> </ul>
<i>Related ZPL command(s):</i>	^KP (to change the printer password)

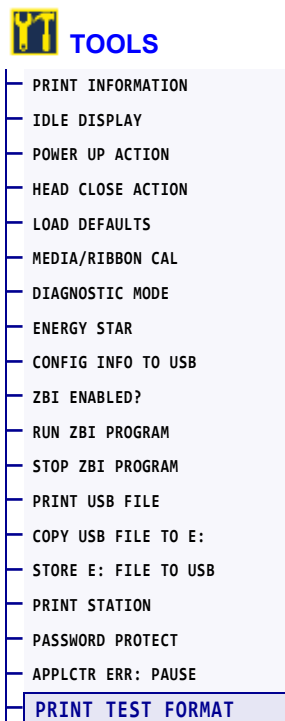
## TOOLS > APPLCTR ERR: PAUSE



When this option is enabled and the printer is paused, the printer sets the applicator error state.

<i>Accepted values:</i>	<ul style="list-style-type: none"> <li>• <b>ENABLED</b></li> <li>• <b>DISABLED</b></li> </ul>
<i>Related ZPL command(s):</i>	~JJ
<i>Printer web page:</i>	View and Modify Printer Settings > Advanced Setup > Error on Pause

## TOOLS > PRINT TEST FORMAT



Use this menu option to initiate test sequences that print specific types of labels to help you troubleshoot printing issues. See *Print Test Format Option* on page 232 for samples of the labels and additional information.

<i>Accepted values:</i>	<ul style="list-style-type: none"> <li>• <b>DARKNESS</b>—Runs a repeated image in incrementing darkness levels.</li> <li>• <b>FIRST DOT LOCATION</b>—Identifies the first dot location and label top to assist you with adjusting the position of the label.</li> <li>• <b>PRINT LINE</b>—Initiates a test sequence. See <i>PRINT LINE</i> on page 234 for details.*</li> <li>• <b>IMAGE COMPRESSION</b>—Prints an image with lines and circles to assist with issues regarding compression or stretching of an image.</li> <li>• <b>ELEMENT OUT</b>—Prints a horizontal image designed to show if a printhead element is not functioning.</li> </ul>
<i>SGD command used:</i>	<p><code>print.troubleshooting_label_choices</code> (specifies the type of label)</p> <p><code>print.troubleshooting_label_print</code> (prints the label)</p>
<i>Control panel key(s):</i>	<p>As an alternate way to initiate the PRINT LINE test sequence, reboot the printer while holding PAUSE. Hold PAUSE until the first control panel light turns off. (Formerly called a PAUSE self test.)*</p>

\* This test sequence prints a large number of labels. See *PRINT LINE* on page 234 for additional information.

# NETWORK > ACTIVE PRINT SERVER



View whether the wired or wireless print server is currently active.

## NETWORK > PRIMARY NETWORK



View or modify whether the wired or wireless print server is considered primary. You may select which one is primary.

## NETWORK > WIRED IP ADDRESS

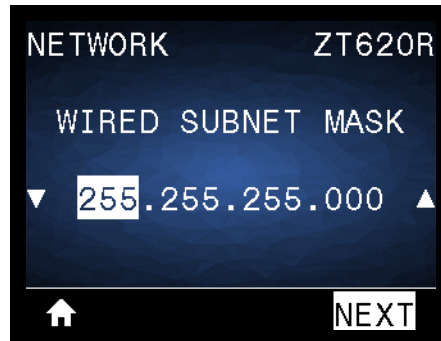


View and, if necessary, change the printer's wired IP address.

To save changes to this setting, set *WIRED IP PROTOCOL* on page 146 to PERMANENT, and then reset the print server (see *RESET NETWORK* on page 158). See *IP Address Changing* on page 259 for additional information.

<i>Accepted values:</i>	000 to 255 for each field
<i>Related ZPL command(s):</i>	^ND
<i>SGD command used:</i>	internal_wired.ip.addr
<i>Printer web page:</i>	View and Modify Printer Settings > Network Communications Setup > TCP/IP Settings

## NETWORK > WIRED SUBNET MASK



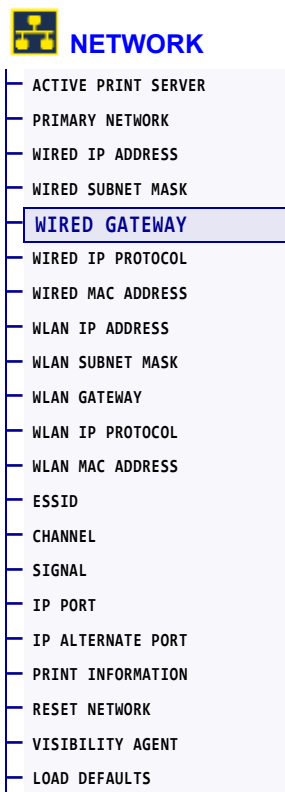
View and, if necessary, change the wired subnet mask.

To save changes to this setting, set [WIRED IP PROTOCOL](#) on page 146 to PERMANENT, and then reset the print server (see [RESET NETWORK](#) on page 158). See [IP Address Changing](#) on page 259 for additional information.

<i>Accepted values:</i>	000 to 255 for each field
<i>Related ZPL command(s):</i>	^ND
<i>SGD command used:</i>	internal_wired.ip.netmask
<i>Printer web page:</i>	View and Modify Printer Settings > Network Communications Setup > TCP/IP Settings



## NETWORK > WIRED GATEWAY

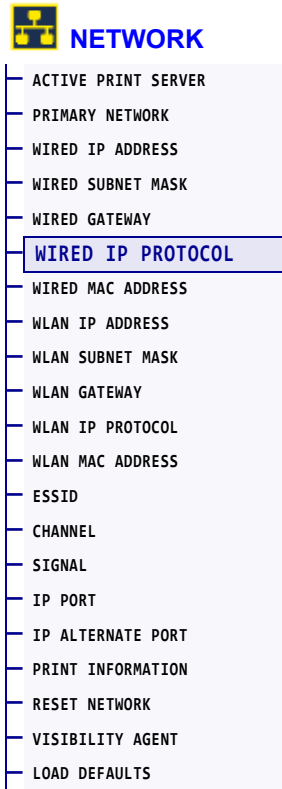


View and, if necessary, change the default wired gateway.

To save changes to this setting, set *WIRED IP PROTOCOL* on page 146 to PERMANENT, and then reset the print server (see *RESET NETWORK* on page 158). See *IP Address Changing* on page 259 for additional information.

<i>Accepted values:</i>	000 to 255 for each field
<i>Related ZPL command(s):</i>	^ND
<i>SGD command used:</i>	internal_wired.ip.gateway
<i>Printer web page:</i>	View and Modify Printer Settings > Network Communications Setup > TCP/IP Settings

## NETWORK > WIRED IP PROTOCOL



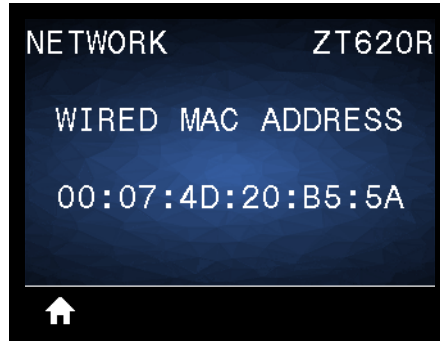
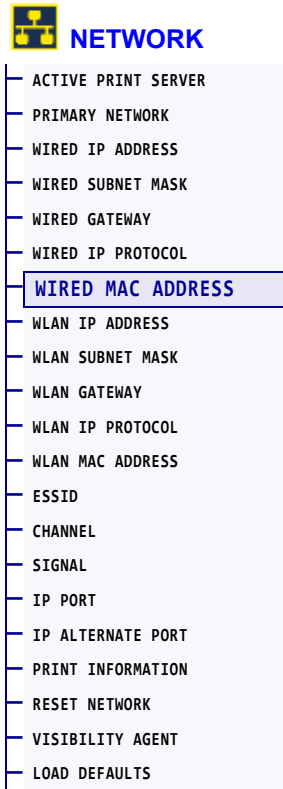
This parameter indicates if the user (permanent) or the server (dynamic) selects the wired print server's IP address. When a dynamic option is chosen, this parameter tells the method(s) by which this print server receives the IP address from the server. See [IP Address Changing on page 259](#) for additional information.



**Important** • You must reset the print server to allow changes to the network settings to take effect.

<i>Accepted values:</i>	<ul style="list-style-type: none"> <li>• ALL</li> <li>• GLEANING ONLY</li> <li>• RARP</li> <li>• BOOTP</li> <li>• DHCP</li> <li>• DHCP &amp; BOOTP</li> <li>• PERMANENT</li> </ul>
<i>Related ZPL command(s):</i>	^ND
<i>SGD command used:</i>	internal_wired.ip.protocol
<i>Printer web page:</i>	View and Modify Printer Settings > Network Communications Setup > TCP/IP Settings

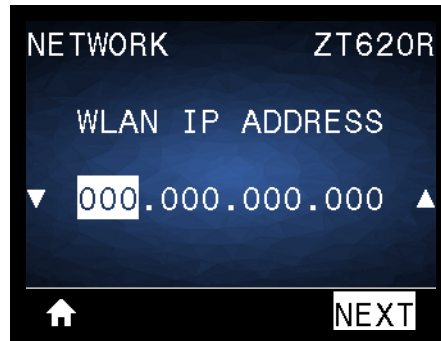
## NETWORK > WIRED MAC ADDRESS



View the Media Access Control (MAC) address of the wired print server.

<i>SGD command used:</i>	<code>internal_wired.mac_addr</code>
<i>Printer web page:</i>	View and Modify Printer Settings > Network Communications Setup > TCP/IP Settings

## NETWORK > WLAN IP ADDRESS

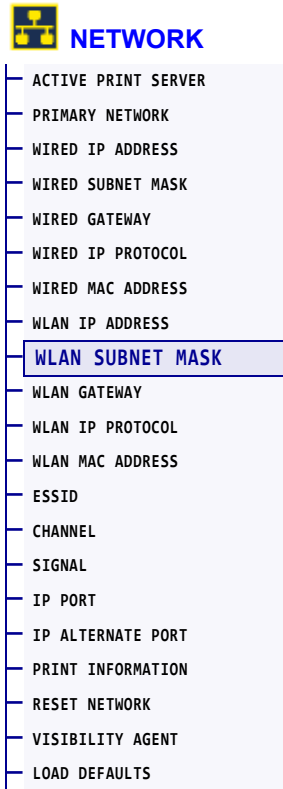


View and, if necessary, change the printer's wireless IP address.

To save changes to this setting, set *WLAN IP PROTOCOL* on page 151 to PERMANENT, and then reset the print server (see *RESET NETWORK* on page 158). See *IP Address Changing* on page 259 for additional information.

<i>Accepted values:</i>	000 to 255 for each field
<i>Related ZPL command(s):</i>	^ND
<i>SGD command used:</i>	ip.addr, wlan.ip.addr
<i>Printer web page:</i>	View and Modify Printer Settings > Network Communications Setup > Wireless Setup

## NETWORK > WLAN SUBNET MASK

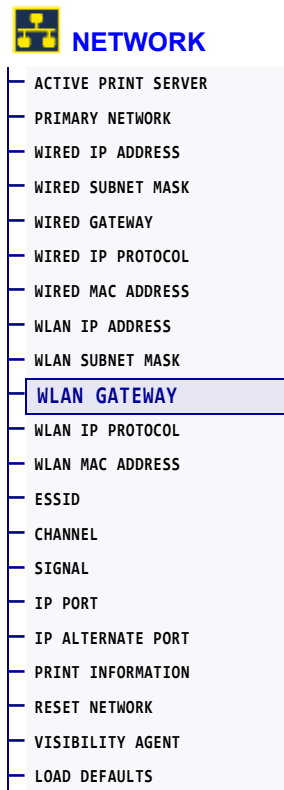


View and, if necessary, change the wireless subnet mask.

To save changes to this setting, set [WLAN IP PROTOCOL on page 151](#) to PERMANENT, and then reset the print server (see [RESET NETWORK on page 158](#)). See [IP Address Changing on page 259](#) for additional information.

<i>Accepted values:</i>	000 to 255 for each field
<i>Related ZPL command(s):</i>	^ND
<i>SGD command used:</i>	wlan.ip.netmask
<i>Printer web page:</i>	View and Modify Printer Settings > Network Communications Setup > Wireless Setup

## NETWORK > WLAN GATEWAY



View and, if necessary, change the default wireless gateway.

To save changes to this setting, set *WLAN IP PROTOCOL* on page 151 to PERMANENT, and then reset the print server (see *RESET NETWORK* on page 158). See *IP Address Changing* on page 259 for additional information.

<i>Accepted values:</i>	000 to 255 for each field
<i>Related ZPL command(s):</i>	^ND
<i>SGD command used:</i>	wlan.ip.gateway
<i>Printer web page:</i>	View and Modify Printer Settings > Network Communications Setup > Wireless Setup

## NETWORK > WLAN IP PROTOCOL



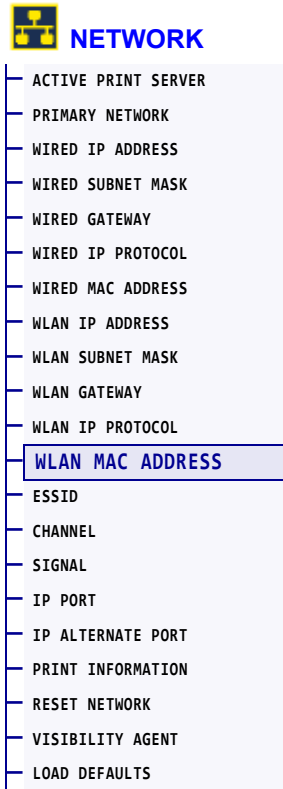
This parameter indicates if the user (permanent) or the server (dynamic) selects the wireless print server's IP address. When a dynamic option is chosen, this parameter tells the method(s) by which this print server receives the IP address from the server. See [IP Address Changing on page 259](#) for additional information.



**Important** • You must reset the print server to allow changes to the network settings to take effect.

<i>Accepted values:</i>	<ul style="list-style-type: none"> <li>• ALL</li> <li>• GLEANING ONLY</li> <li>• RARP</li> <li>• BOOTP</li> <li>• DHCP</li> <li>• DHCP &amp; BOOTP</li> <li>• PERMANENT</li> </ul>
<i>Related ZPL command(s):</i>	^ND
<i>SGD command used:</i>	wlan.ip.protocol
<i>Printer web page:</i>	View and Modify Printer Settings > Network Communications Setup > Wireless Setup

## NETWORK > WLAN MAC ADDRESS

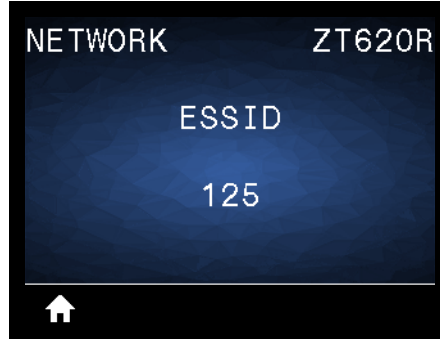
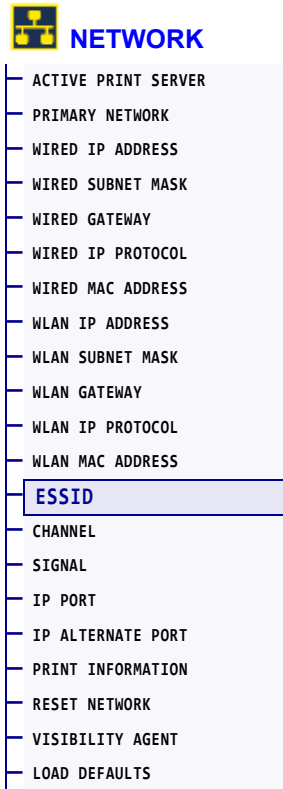


View the Media Access Control (MAC) address of the wireless print server.

<i>SGD command used:</i>	<code>wlan.mac_addr</code>
<i>Printer web page:</i>	View and Modify Printer Settings > Network Communications Setup > Wireless Setup



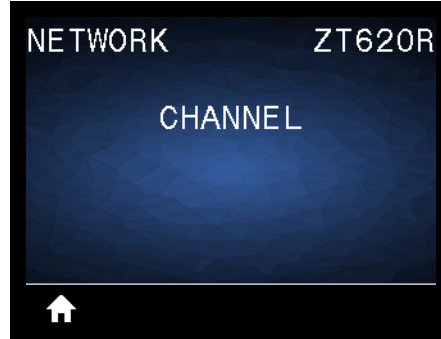
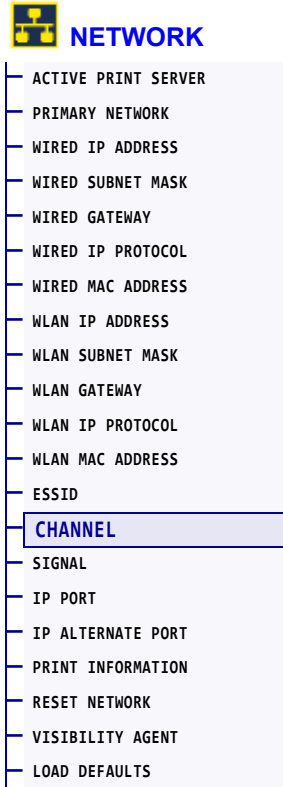
## NETWORK > ESSID



The Extended Service Set Identification (ESSID) is an identifier for your wireless network. This setting, which cannot be modified from the control panel, gives the ESSID for the current wireless configuration.

<i>Accepted values:</i>	32-character alphanumeric string (default <b>125</b> )
<i>SGD command used:</i>	<code>wlan.essid</code>
<i>Printer web page:</i>	View and Modify Printer Settings > Network Communications Setup > Wireless Setup

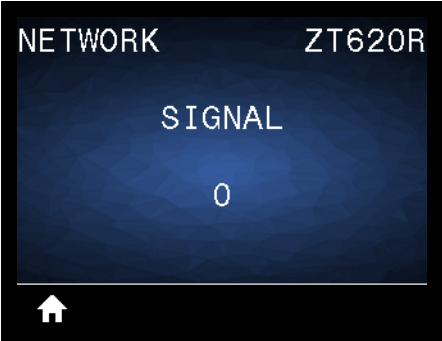
## NETWORK > CHANNEL



View the wireless channel being used when the wireless network is active and authenticated.

<i>SGD command used:</i>	<code>wlan.channel</code>
<i>Printer web page:</i>	View and Modify Printer Settings > Network Communications Setup > Wireless Setup

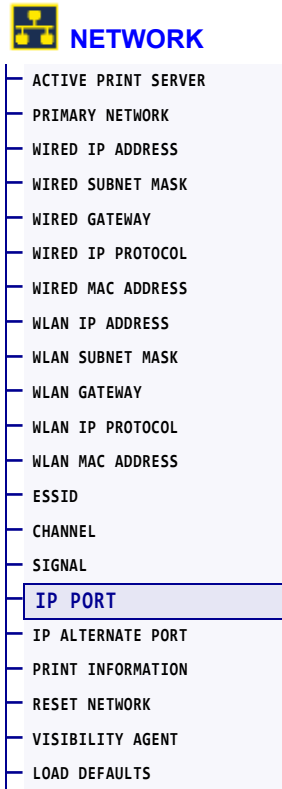
# NETWORK > SIGNAL



View the wireless signal strength when the wireless network is active and authenticated.

<i>SGD command used:</i>	<code>wlan.signal_strength</code>
<i>Printer web page:</i>	View and Modify Printer Settings > Network Communications Setup > Wireless Setup

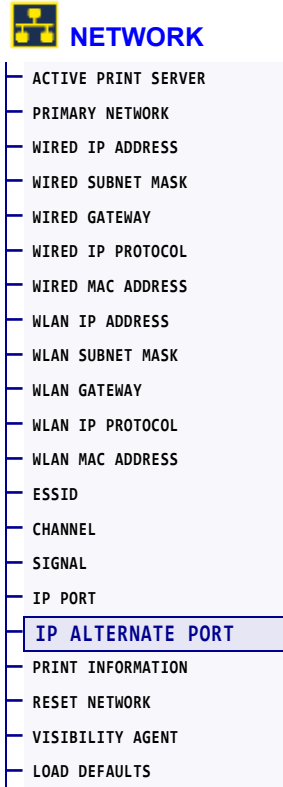
## NETWORK > IP PORT



This printer setting refers to the internal wired print servers port number that the TCP print service is listening on. Normal TCP communications from the host should be directed to this port.

<i>SGD command used:</i>	<code>internal_wired.ip.port</code>
<i>Printer web page:</i>	View and Modify Printer Settings > Network Communications Setup > TCP/IP Settings

## NETWORK > IP ALTERNATE PORT



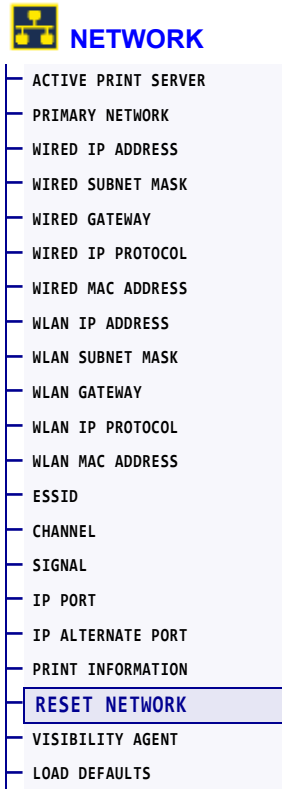
This command sets the port number of the alternate TCP port.



**Note** • Print servers supporting this command will monitor both the primary port and the alternate port for connections at the same time.

<i>SGD command used:</i>	<code>internal_wired.ip.port_alternate</code>
<i>Printer web page:</i>	View and Modify Printer Settings > Network Communications Setup > TCP/IP Settings

## NETWORK > RESET NETWORK



This option resets the wired or wireless print server and saves any changes that you made to any network settings.



**Important** • You must reset the print server to allow changes to the network settings to take effect.

<i>Related ZPL command(s):</i>	~WR
<i>SGD command used:</i>	device.reset
<i>Printer web page:</i>	Print Server Settings > Reset Print Server

## NETWORK > VISIBILITY AGENT

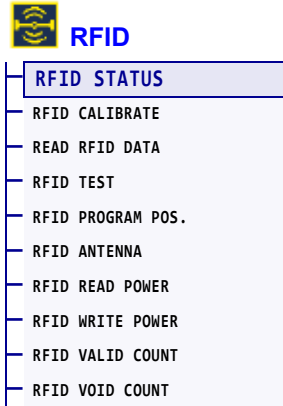


When the printer is connected to a wired or wireless network, it will attempt to connect to Zebra’s Asset Visibility Service via the Cloud-based Zebra Printer Connector using an encrypted, certificate-authenticated web socket connection. The printer sends Discovery Data and Settings and Alerts Data. Data printed via any label formats is NOT transmitted.

To opt out of this feature, disable this setting. For more information, see the “Opting Out of the Asset Visibility Agent” application note at <http://www.zebra.com>.

<i>Accepted values:</i>	<ul style="list-style-type: none"> <li>• ON</li> <li>• OFF</li> </ul>
<i>SGD command used:</i>	<code>weblink.zebra_connector.enable</code>
<i>Printer web page:</i>	View and Modify Printer Settings > Network Configuration > Cloud Connect Settings

## RFID > RFID STATUS

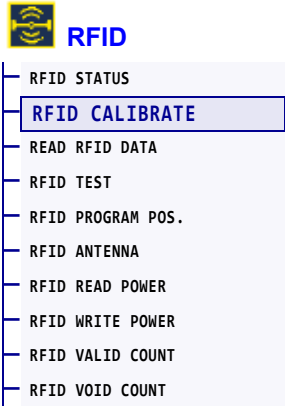


Display the status of the RFID subsystem of the printer.

<i>Related ZPL command(s):</i>	<code>^HL</code> or <code>~HL</code>
<i>SGD command used:</i>	<code>rfid.error.response</code>



## RFID > RFID CALIBRATE



Initiate tag calibration for RFID media. (Not the same as media and ribbon calibration.) During the process, the printer moves the media, calibrates the RFID tag position, and determines the optimal settings for the RFID media being used. These settings include the programming position, the antenna element to use, and the read/write power level to use. See the *RFID Programming Guide 3* for more information.



**Important** • Before running this command, load the printer with RFID media, calibrate your printer, close the printhead, and feed at least one label to make sure that tag calibration will begin from the correct position.

Leave all transponders before and after the tag that is being calibrated. This allows the printer to determine RFID settings which do not encode the adjacent tag. Allow a portion of media to extend out the front of the printer to allow for backfeed during the tag calibration procedure.

<i>Related ZPL command(s):</i>	<code>^HR</code>
<i>SGD command used:</i>	<code>rfid.tag.calibrate</code>

## RFID > READ RFID DATA



Read and return the specified tag data from the RFID tag located over the RFID antenna. No printer movement occurs while tag data is being read. The printhead can be open or closed.

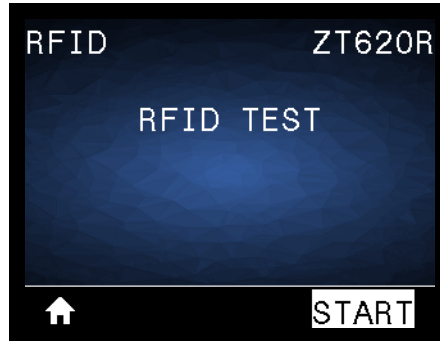
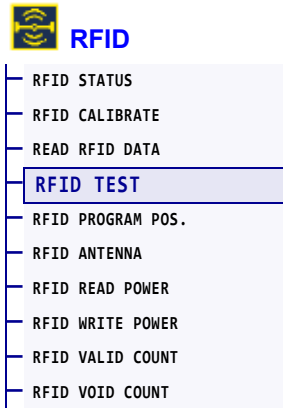
### To read and display the information stored on an RFID tag:

1. Position the RFID label with its transponder over the RFID antenna.
2. Use the UP ARROW or DOWN ARROW to select the type of information that you want read and displayed.
3. Press RIGHT SELECT to select READ.

The results of the test are shown on the display.

<i>Accepted values:</i>	<p><b>epc</b>—Reads the first 128 bits of EPC data.</p> <p><b>tid information</b>—Reads the first 32 bits of the TID (Tag ID).</p> <p><b>password status</b>—Reads the tag’s access and kill passwords.</p> <p><b>protocol bits</b>—Reads the protocol bits from the EPC memory banks and converts that value to the EPC size.</p> <p><b>memory bank sizes</b>—Reads the EPC, TID, and user memory banks sizes.</p>
<i>Related ZPL command(s):</i>	^RF
<i>SGD command used:</i>	<p>rfid.tag.read.content</p> <p>rfid.tag.read.execute</p>

## RFID > RFID TEST



During the RFID test, the printer attempts to read and write to a transponder. No printer movement occurs with this test.

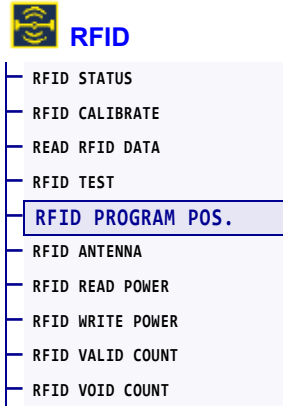
### To test an RFID label:

1. Position the RFID label with its transponder over the RFID antenna array.
2. Press RIGHT SELECT to select START.

The results of the test are shown on the display.

<i>Accepted values:</i>	<p><b>quick</b>—Performs a read EPC test and a write EPC test (using random data).</p> <p><b>read</b>—Performs a read EPC test.</p> <p><b>write</b>—Performs a write EPC test (using random data).</p>
<i>SGD command used:</i>	<b>rfid.tag.test.content</b> and <b>rfid.tag.test.execute</b>

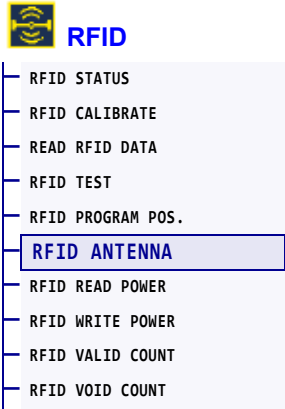
## RFID > RFID PROGRAM POS.



If the desired programming position (read/write position) is not achieved through RFID tag calibration, a value may be specified.

<i>Accepted values:</i>	<p><b>F0</b> to <b>Fxxx</b> (where <b>xxx</b> is the label length in millimeters or <b>999</b>, whichever is less)—The printer feeds the label forward for the specified distance and then begins programming.</p> <p><b>B0</b> to <b>B30</b>—The printer backfeeds the label for the specified distance and then begins programming. To account for the backfeed, allow empty media liner to extend out of the front of the printer when using a backward programming position.</p>
<i>Related ZPL command(s):</i>	<b>^RS</b>
<i>SGD command used:</i>	<b>rfid.position.program</b>
<i>Printer web page:</i>	View and Modify Printer Settings > RFID Setup > PROGRAM POSITION

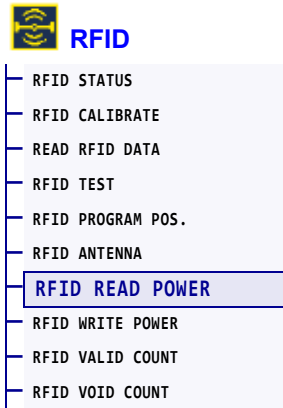
# RFID > RFID ANTENNA



If the desired antenna is not achieved through RFID tag calibration, a value may be specified.

<i>Accepted values:</i>	A1, A2, A3, A4 B1, B2, B3, B4 C1, C2, C3, C4 D1, D2, D3, D4 E1, E2, E3, E4
<i>Related ZPL command(s):</i>	^RW
<i>SGD command used:</i>	rfid.reader_1.antenna_port
<i>Printer web page:</i>	View and Modify Printer Settings > RFID Setup > RFID ANTENNA

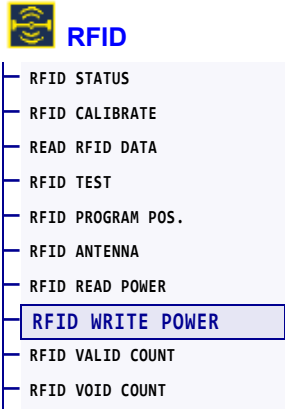
## RFID > RFID READ POWER



If the desired read power is not achieved through RFID tag calibration, a value may be specified.

<i>Accepted values:</i>	0 to 30
<i>Related ZPL command(s):</i>	^RW
<i>SGD command used:</i>	rfid.reader_1.power.read
<i>Printer web page:</i>	View and Modify Printer Settings > RFID Setup > RFID READ PWR

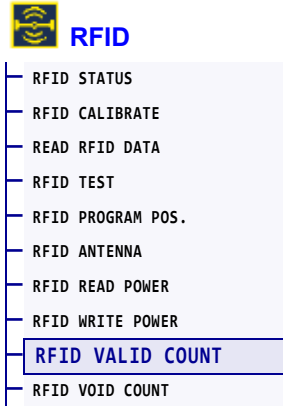
## RFID > RFID WRITE POWER



If the desired write power is not achieved through RFID tag calibration, a value may be specified.

<i>Accepted values:</i>	0 to 30
<i>Related ZPL command(s):</i>	^RW
<i>SGD command used:</i>	rfid.reader_1.power.write
<i>Printer web page:</i>	View and Modify Printer Settings > RFID Setup > RFID WRITE PWR

## RFID > RFID VALID COUNT

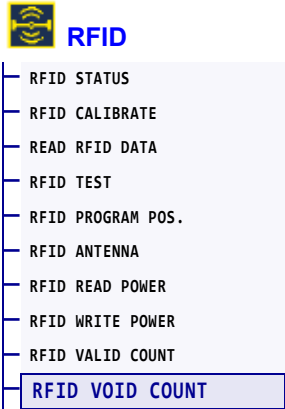


Resets the RFID valid label counter to zero.

<i>Related ZPL command(s):</i>	~R0
<i>SGD command used:</i>	odometer.rfid.valid_resetable



# RFID > RFID VOID COUNT



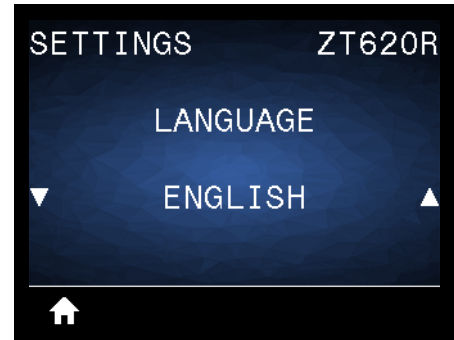
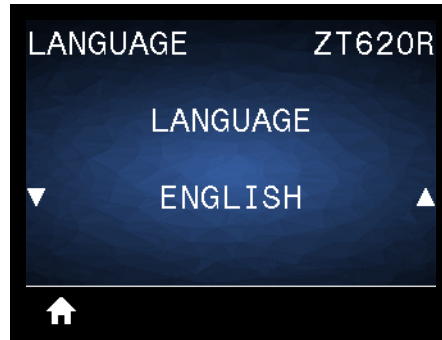
Resets the RFID void label counter to zero.

<i>Related ZPL command(s):</i>	~R0
<i>SGD command used:</i>	odometer.rfid.void_resetable

## LANGUAGE > LANGUAGE


### LANGUAGE

LANGUAGE
COMMAND LANGUAGE
COMMAND CHAR
CONTROL CHAR
DELIMITER CHAR
ZPL MODE
VIRTUAL DEVICE



If necessary, change the language that the printer displays. This change affects the words shown on the following:

- the Home menu
- the user menus
- error messages
- the printer configuration label, the network configuration label, and other labels that you can select to print through the user menus

<i>Accepted values:</i>	<p>ENGLISH, SPANISH, FRENCH, GERMAN, ITALIAN, NORWEGIAN, PORTUGUESE, SWEDISH, DANISH, SPANISH 2, DUTCH, FINNISH, CZECH, JAPANESE, KOREAN, ROMANIAN, RUSSIAN, POLISH, SIMPLIFIED CHINESE, TRADITIONAL CHINESE</p> <p> <b>Note</b> • The selections for this parameter are displayed in the actual languages to make it easier for you to find one that you are able to read.</p>
<i>Related ZPL command(s):</i>	^KL
<i>SGD command used:</i>	display.language
<i>Printer web page:</i>	View and Modify Printer Settings > General Setup > Language

# LANGUAGE > COMMAND LANGUAGE



View or select the appropriate command language.

## LANGUAGE > COMMAND CHAR



The format command prefix is a two-digit hex value used as a parameter place marker in ZPL/ZPL II format instructions. The printer looks for this hex character to indicate the start of a ZPL/ZPL II format instruction.

Set the format command character to match what is used in your label formats.



**Important** • You cannot use the same hex value for the format command prefix, control character, and delimiter characters. The printer must see different characters to work properly. If you are setting the value through the control panel, the printer will skip any value that is already in use.

<i>Accepted values:</i>	00 to FF
<i>Related ZPL command(s):</i>	^CC or ~CC
<i>SGD command used:</i>	zpl.caret
<i>Printer web page:</i>	View and Modify Printer Settings > ZPL Control

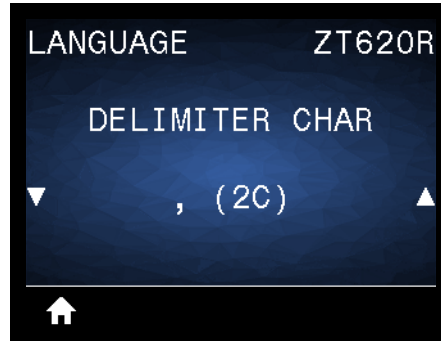
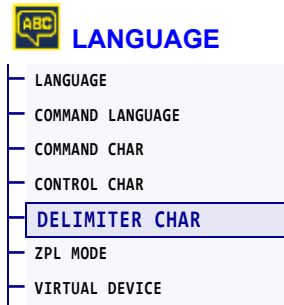
# LANGUAGE > CONTROL CHAR



The printer looks for this two-digit hex character to indicate the start of a ZPL/ZPL II control instruction. Set the control prefix character to match what is used in your label formats.

<i>Accepted values:</i>	00 to FF
<i>Related ZPL command(s):</i>	^CT or ~CT
<i>SGD command used:</i>	zpl.control_character
<i>Printer web page:</i>	View and Modify Printer Settings > ZPL Control

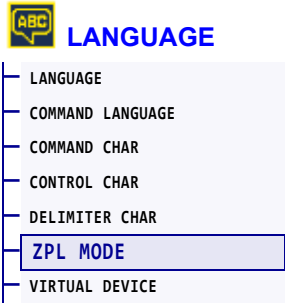
## LANGUAGE > DELIMITER CHAR



The delimiter character is a two-digit hex value used as a parameter place marker in ZPL/ZPL II format instructions. Set the delimiter character to match what is used in your label formats.

<i>Accepted values:</i>	00 to FF
<i>Related ZPL command(s):</i>	^CD or ~CD
<i>SGD command used:</i>	zpl.delimiter
<i>Printer web page:</i>	View and Modify Printer Settings > ZPL Control

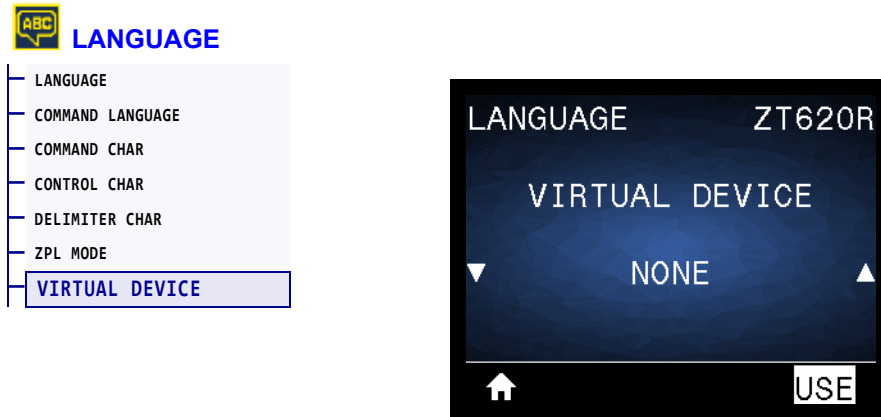
# LANGUAGE > ZPL MODE



Select the mode that matches what is used in your label formats. This printer accepts label formats written in either ZPL or ZPL II, eliminating the need to rewrite any ZPL formats that already exist. The printer remains in the selected mode until it is changed in one of the ways listed here.

<i>Accepted values:</i>	<ul style="list-style-type: none"> <li>• ZPL II</li> <li>• ZPL</li> </ul>
<i>Related ZPL command(s):</i>	^SZ
<i>SGD command used:</i>	zpl.zpl_mode
<i>Printer web page:</i>	View and Modify Printer Settings > ZPL Control

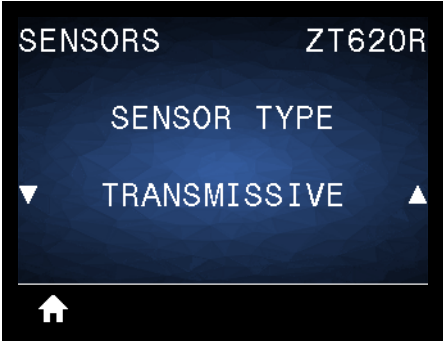
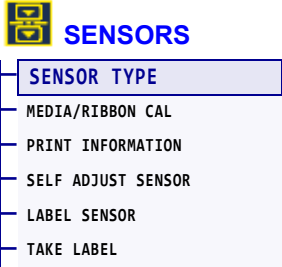
## LANGUAGE > VIRTUAL DEVICE



If any Virtual Device apps are installed on your printer, you may view or enable/disable them from this user menu. For more information about Virtual Devices, go to the User Guide for the appropriate Virtual Device, or contact your local reseller.



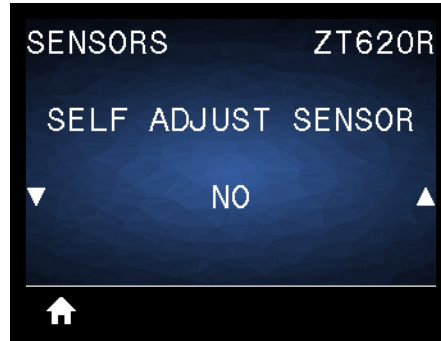
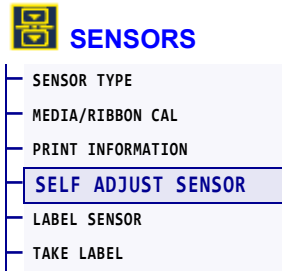
**SENSORS > SENSOR TYPE**



Select the media sensor that is appropriate for the media that you are using. The reflective sensor typically is used only for black mark media. The transmissive sensor typically is used for other media types.

<i>Accepted values:</i>	<ul style="list-style-type: none"> <li>• TRANSMISSIVE</li> <li>• REFLECTIVE</li> </ul>
<i>Related ZPL command(s):</i>	^JS
<i>SGD command used:</i>	device.sensor_select
<i>Printer web page:</i>	View and Modify Printer Settings > Media Setup

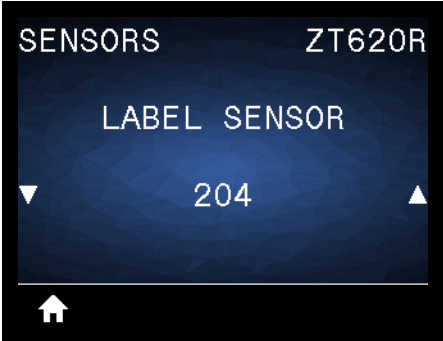
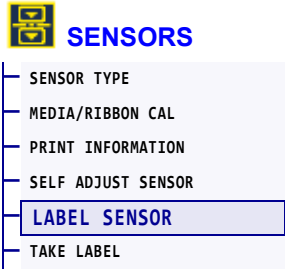
## SENSORS > SELF ADJUST SENSOR



Enable this setting to have the printer attempt to detect media settings automatically. You may still need to manually calibrate the printer if this setting does not detect your media correctly.

<i>Accepted values:</i>	<ul style="list-style-type: none"><li>• NO</li><li>• YES</li></ul>
<i>SGD command used:</i>	<code>sensor.self_adjusting_enable</code>

## SENSORS > LABEL SENSOR



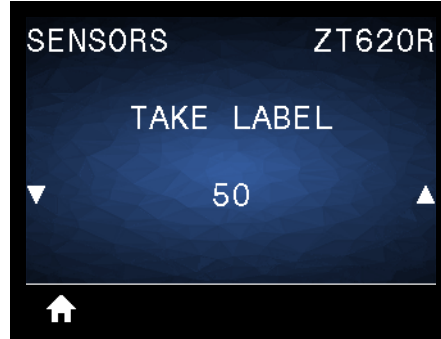
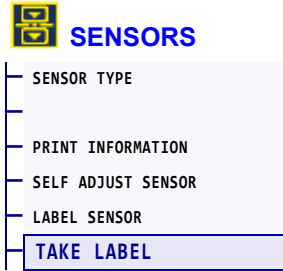
Set the sensitivity of the label sensor.



**Important** • This value is set during sensor calibration. Do not change this setting unless you are told to do so by Zebra Technical Support or by an authorized service technician.

<i>Accepted values:</i>	0 to 255
<i>SGD command used:</i>	ezpl.label_sensor
<i>Printer web page:</i>	View and Modify Printer Settings > Calibration

## SENSORS > TAKE LABEL



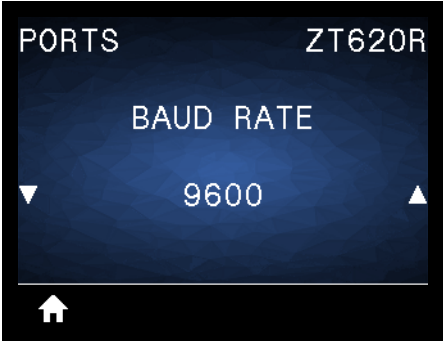
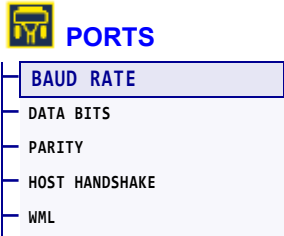
Set the intensity of the take label LED.



**Important** • This value is set during sensor calibration. Do not change this setting unless you are told to do so by Zebra Technical Support or by an authorized service technician.

<i>Accepted values:</i>	0 to 255
<i>SGD command used:</i>	<code>ezpl.take_label</code>
<i>Printer web page:</i>	View and Modify Printer Settings > Calibration

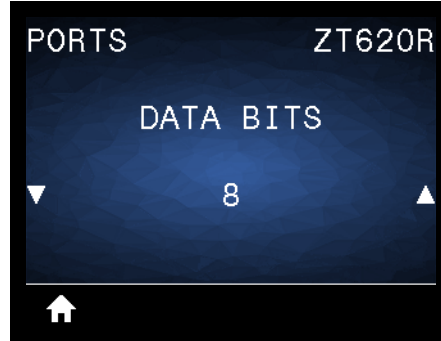
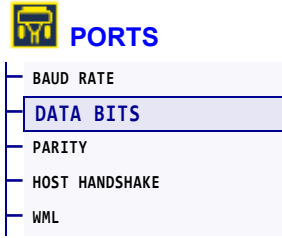
# PORTS > BAUD RATE



Select the baud value that matches the one being used by the host computer.

<i>Accepted values:</i>	<ul style="list-style-type: none"> <li>• 115200</li> <li>• 57600</li> <li>• 38400</li> <li>• 28800</li> <li>• 19200</li> <li>• 14400</li> <li>• 9600</li> <li>• 4800</li> </ul>
<i>Related ZPL command(s):</i>	^SC
<i>SGD command used:</i>	comm.baud
<i>Printer web page:</i>	View and Modify Printer Settings > Serial Communications Setup

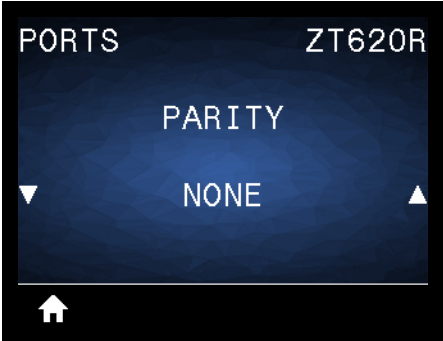
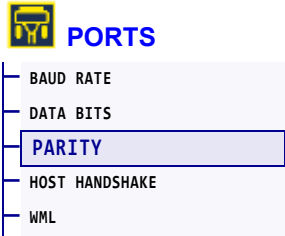
## PORTS > DATA BITS



Select the data bits value that matches the one being used by the host computer.

<i>Accepted values:</i>	7 or 8
<i>Related ZPL command(s):</i>	^SC
<i>SGD command used:</i>	comm.data_bits
<i>Printer web page:</i>	View and Modify Printer Settings > Serial Communications Setup

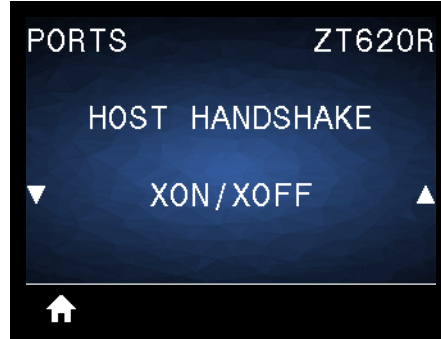
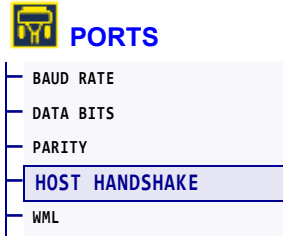
**PORTS > PARITY**



Select the parity value that matches the one being used by the host computer.

<i>Accepted values:</i>	<ul style="list-style-type: none"> <li>• NONE</li> <li>• EVEN</li> <li>• ODD</li> </ul>
<i>Related ZPL command(s):</i>	^SC
<i>SGD command used:</i>	comm.parity
<i>Printer web page:</i>	View and Modify Printer Settings > Serial Communications Setup

## PORTS > HOST HANDSHAKE

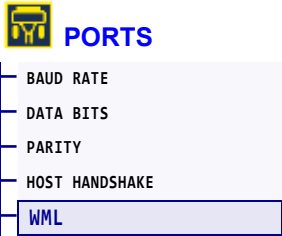


Select the handshake protocol that matches the one being used by the host computer.

<i>Accepted values:</i>	<ul style="list-style-type: none"> <li>• XON/XOFF</li> <li>• RTS/CTS</li> <li>• DSR/DTR</li> </ul>
<i>Related ZPL command(s):</i>	^SC
<i>SGD command used:</i>	comm.handshake
<i>Printer web page:</i>	View and Modify Printer Settings > Serial Communications Setup

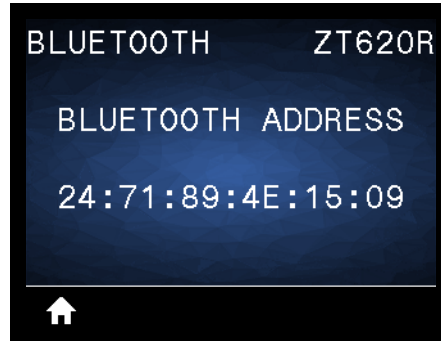
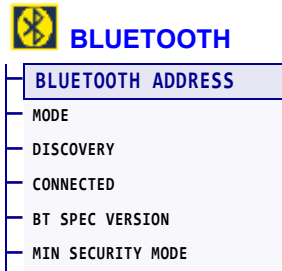


# PORTS > WML



View the Wireless Markup Language (WML) version. This value cannot be changed.

## BLUETOOTH > BLUETOOTH ADDRESS

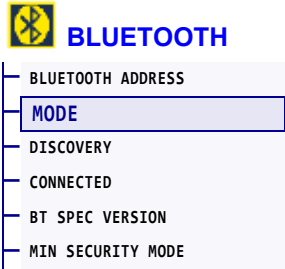


View the printer's Bluetooth Device Address

*SGD command used:*

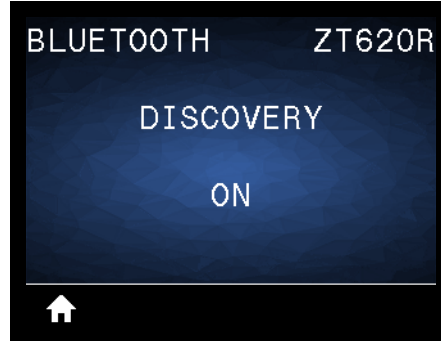
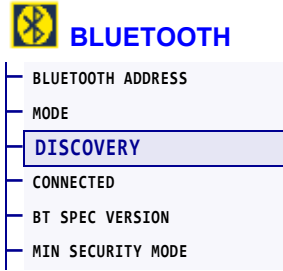
`bluetooth.address`

# BLUETOOTH > MODE



View the Bluetooth connection pair printer's device type—Slave (typical) or Master.

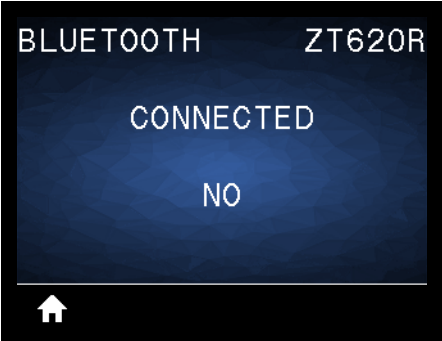
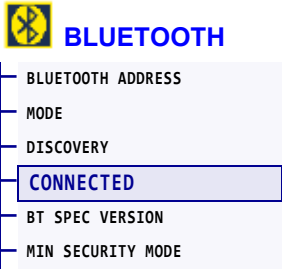
## BLUETOOTH > DISCOVERY



Select if the printer is “Discoverable” for Bluetooth device pairing.

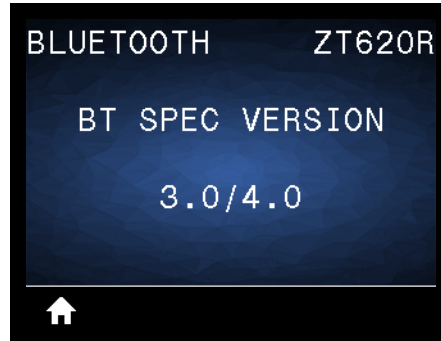
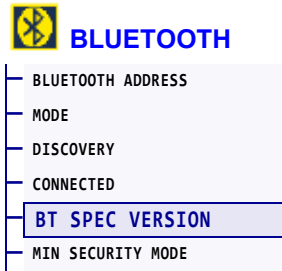
<i>Accepted values:</i>	<ul style="list-style-type: none"><li>• <b>ON</b>—Enables Bluetooth discoverable mode.</li><li>• <b>OFF</b>—Disables Bluetooth discoverable mode.</li></ul>
<i>SGD command used:</i>	<code>bluetooth.discoverable</code>

# BLUETOOTH > CONNECTED



View the Bluetooth connection status to its paired device (Yes or No).

## BLUETOOTH > BT SPEC VERSION



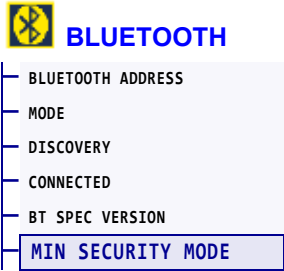
View the Bluetooth operational specification level.

---

<i>SGD command used:</i>	<code>bluetooth.radio_version</code>
--------------------------	--------------------------------------

---

# BLUETOOTH > MIN SECURITY MODE



View the printer's Bluetooth minimum level of applied security.

## Calibrate the Ribbon and Media Sensors

Use the procedure in this section to calibrate the printer, which adjusts the sensitivity of the media and ribbon sensors. For a summary of the options for initiating calibration, see [MEDIA/RIBBON CAL on page 127](#).



**Important** • Follow the calibration procedure exactly as presented. All of the steps must be performed even if only one of the sensors requires adjustment. You may press and hold CANCEL at any step in this procedure to cancel the process.

### To perform sensor calibration, complete these steps:

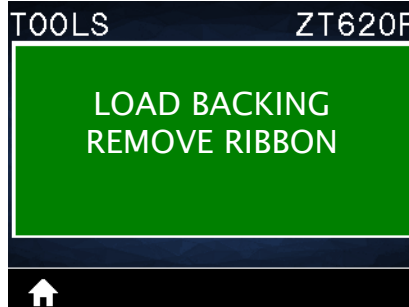
1. With the printer in the Ready state, initiate media and ribbon calibration in one of these ways:
  - Press and hold PAUSE + CANCEL for 2 seconds.
  - Send the `ezpl.manual_calibration` SGD command to the printer. See the *Zebra Programming Guide* for more information about this command.
  - Navigate to the following menu item on the control panel display. This item is located under the TOOLS menu and the SENSORS menu. Press RIGHT SELECT to select START.





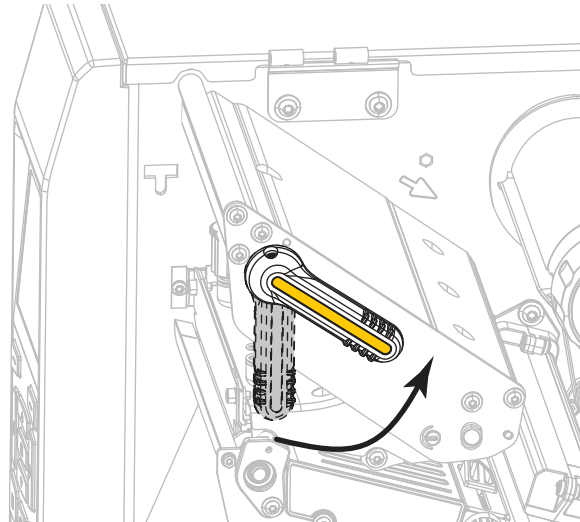
The printer does the following:

- The **STATUS light** and **SUPPLIES light** flash yellow once.
- The **PAUSE light** blinks yellow.
- The control panel displays:

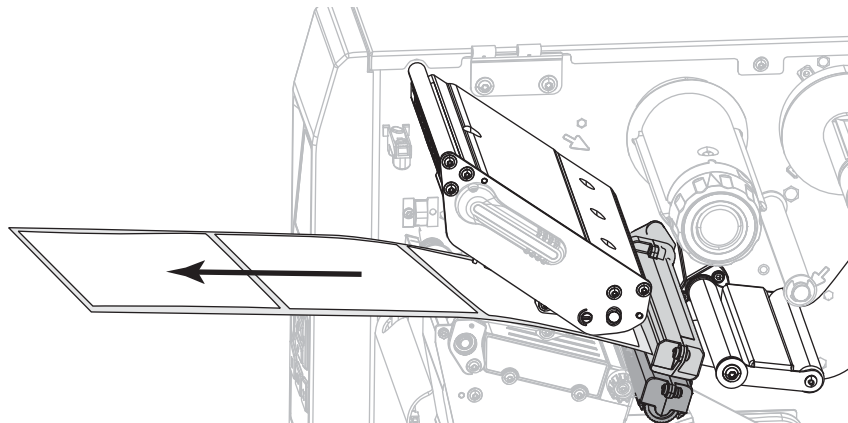


2. **Caution** • The printhead may be hot and could cause severe burns. Allow the printhead to cool.

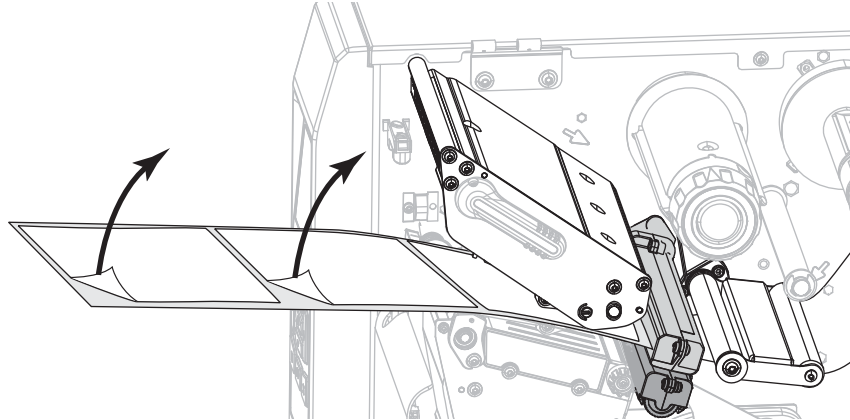
Open the printhead assembly by rotating the printhead-open lever upward.



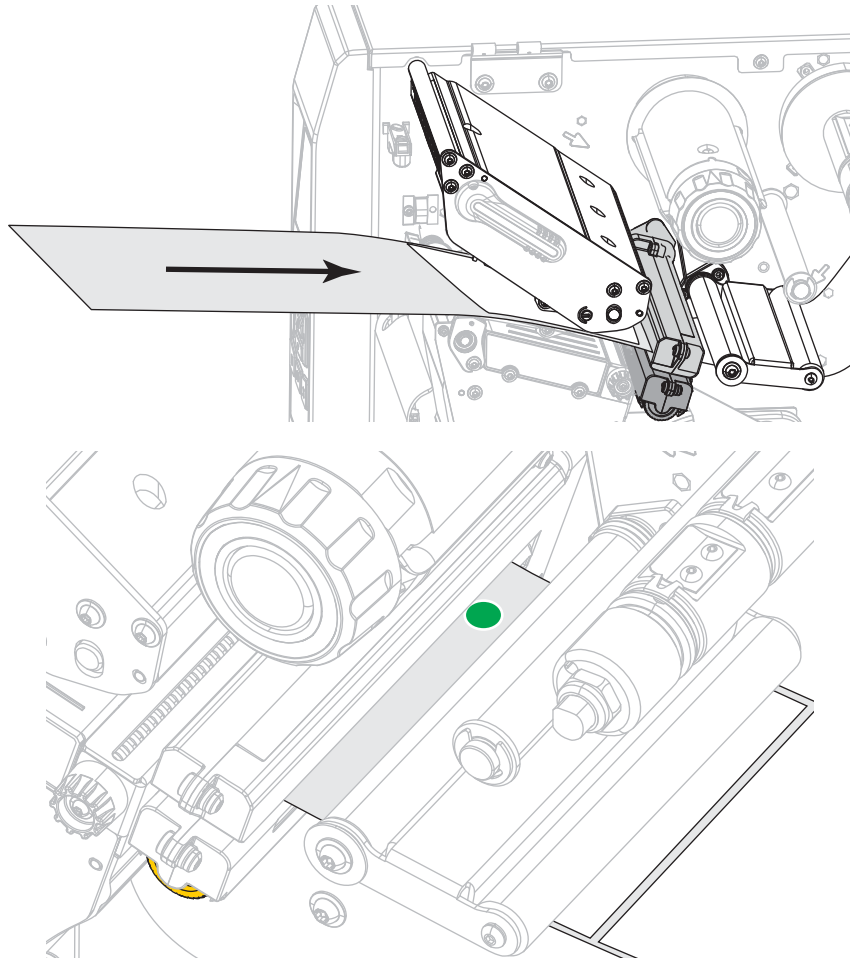
3. Extend the media approximately 8 in. (203 mm) out of the printer.



4. Remove the exposed labels so that only the liner remains.

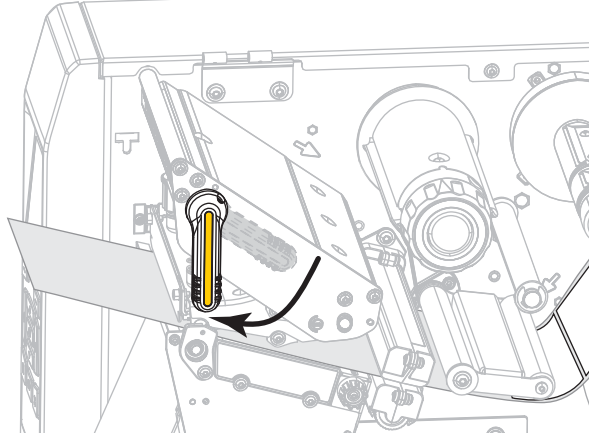


5. Pull the media into the printer so that only the backing is over the green light on the lower part of the media sensor.



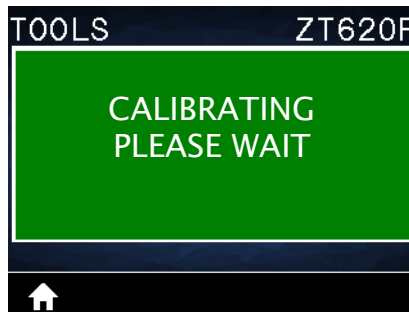
6. Remove the ribbon (if used).

7. Rotate the printhead-open lever downward until it locks the printhead in place.



8. Press PAUSE to begin the media calibration process.

- The **PAUSE light** turns off.
- The **SUPPLIES light** flashes.
- The control panel displays:

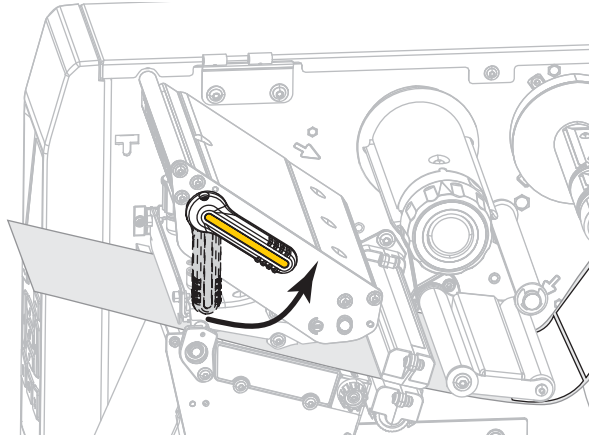


When the process is complete:

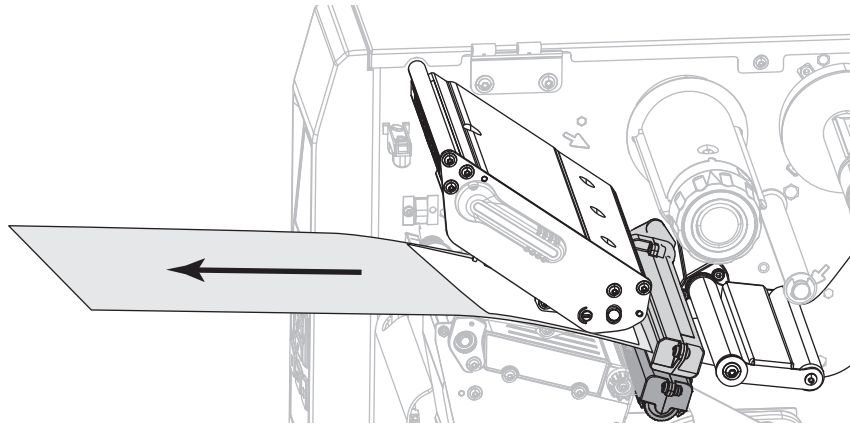
- The **SUPPLIES light** stops flashing.
- The **PAUSE light** flashes yellow.
- The control panel displays:



9. Open the printhead assembly by rotating the printhead-open lever upward.

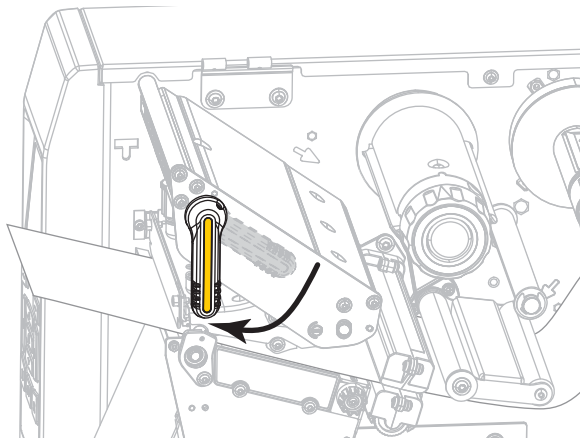


10. Pull the media forward until a label is positioned under the media sensors.

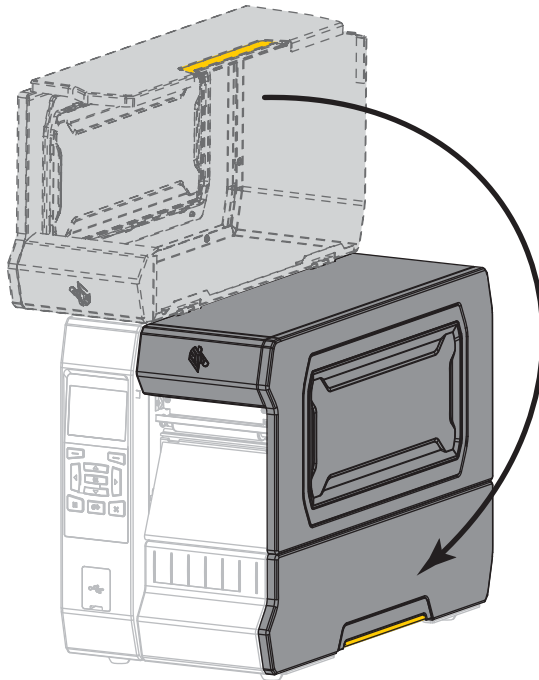


11. Reload the ribbon (if used).

12. Close the printhead.



13. Close the media door.



14. Press PAUSE to enable printing.

## Adjust the Printhead Pressure and Toggle Position

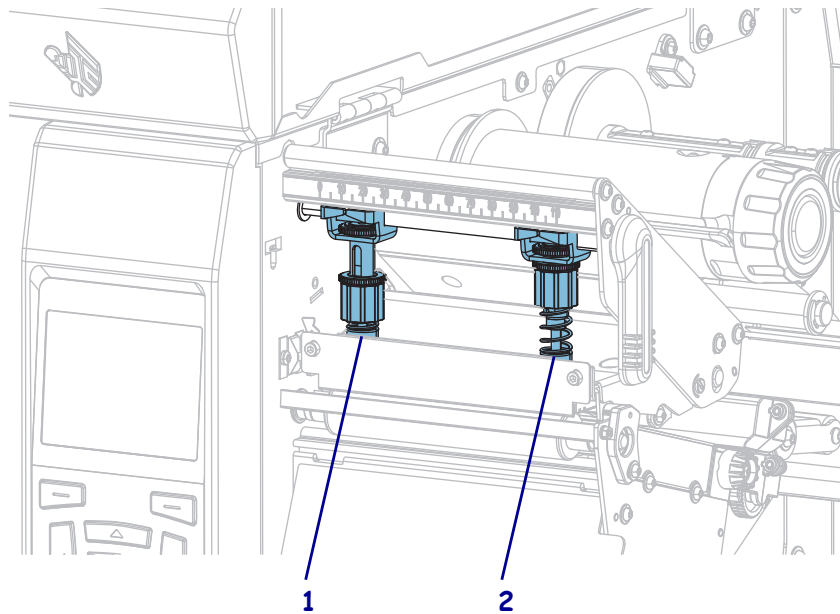
The printhead pressure toggles can be adjusted to create more or less pressure, as needed. They can also be moved from side to side to adjust the pressure in certain areas.

If the toggles are not positioned correctly or adjusted to apply the correct pressure, the following types of issues may result:

- media and ribbon may slip
- ribbon may wrinkle
- media may move from side to side during printing
- printing may be too light or too dark on one side of the media

Use the lowest printhead pressure necessary to produce good print quality. Higher pressures may cause premature wear on the printhead elements.

**Figure 17 • Printhead Pressure Toggles**

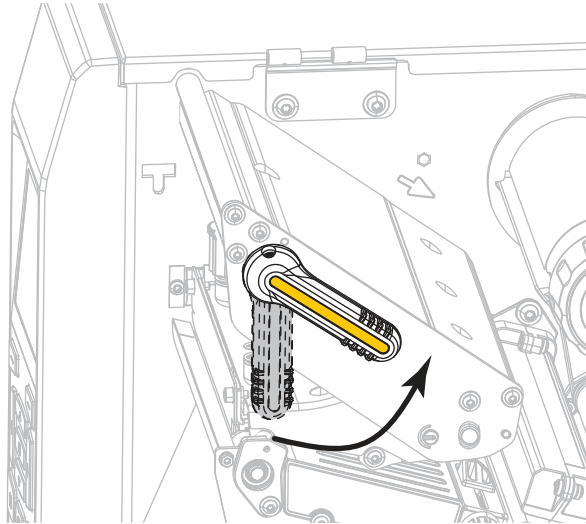


<b>1</b>	Inside toggle
<b>2</b>	Outside toggle

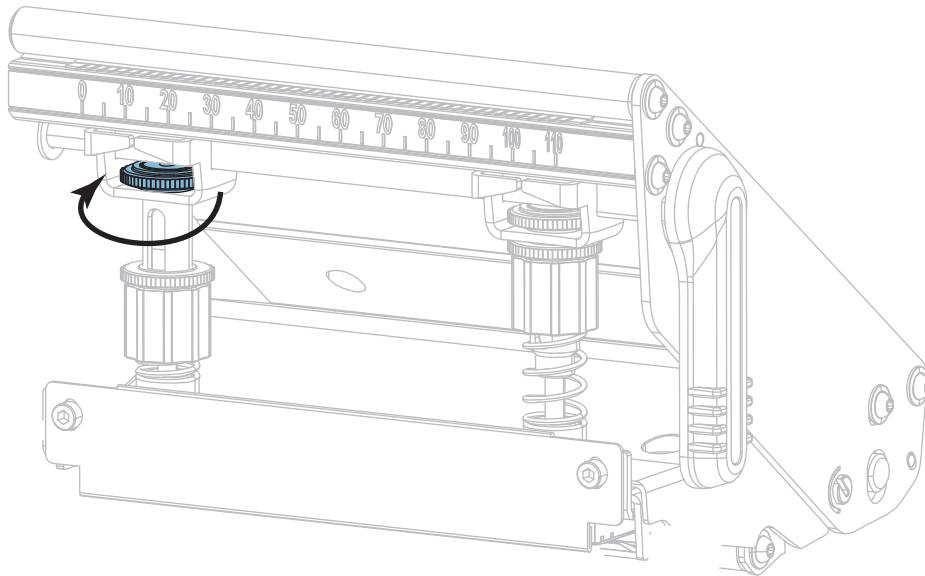
## Toggle Position Adjustment

To adjust the printhead toggle positions, complete these steps:

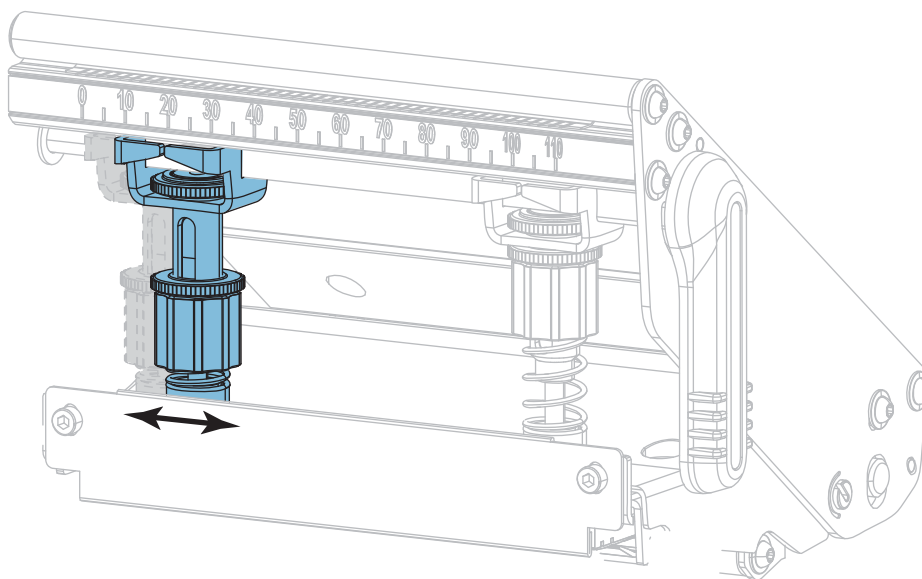
1. Open the printhead assembly by rotating the printhead-open lever to lessen the pressure on the toggles.



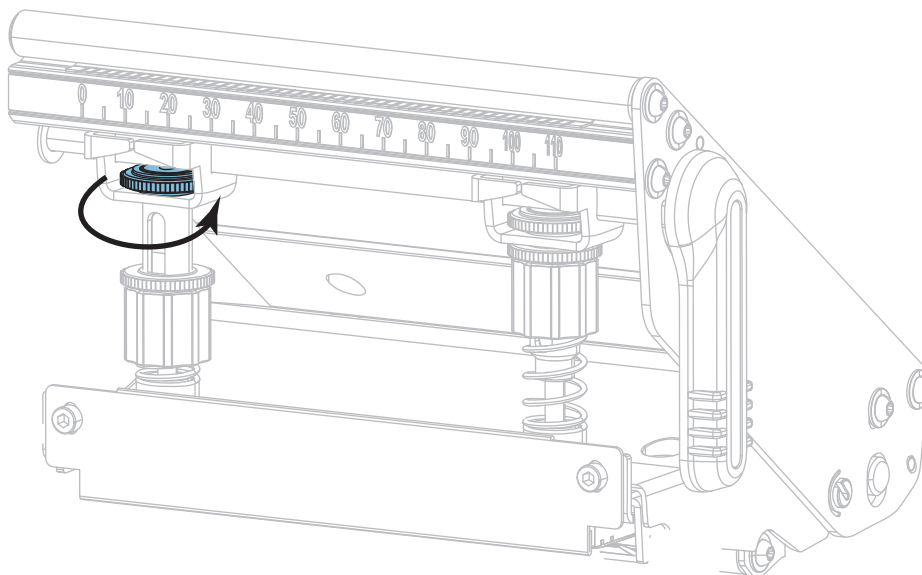
2. Loosen the locking nut at the top of the toggle to be moved.



3. Reposition the toggle as necessary to provide even pressure on the media. For extremely narrow media, position the inside toggle over the center of the media, and decrease the pressure on the outside toggle.



4. Tighten the locking nut.





## Printhead Pressure Adjustment

If positioning the toggles properly does not solve a print quality or other issue, try adjusting the printhead pressure. Maximize printhead life by using the lowest pressure that produces the desired print quality.

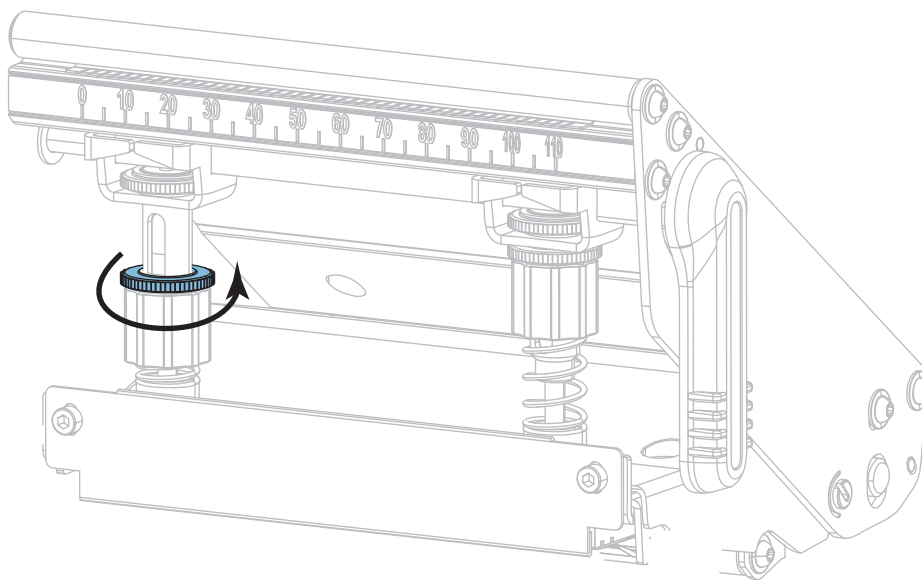
### To adjust printhead pressure, complete these steps:

1. Initiate the PRINT LINE option of *PRINT TEST FORMAT* on page 140.
2. While printing labels, use the control panel to lower the darkness setting until the labels are printing gray instead of black. (See *DARKNESS* on page 105.)
3. Are you experiencing any of the following issues?

If the media...	Then...
Requires higher pressure overall to print well	Increase the pressure on both toggles.
Requires lower pressure overall to print well	Decrease the pressure on both toggles.
Prints too lightly on the left side of the label.	Increase the pressure on the inside toggle.
Prints too lightly on the right side of the label.	Increase the pressure on the outside toggle.
Shifts left while printing	Increase the pressure on the outside toggle. OR Decrease the pressure on the inside toggle.
Shifts right while printing	Increase the pressure on the inside toggle. OR Decrease the pressure on the outside toggle.

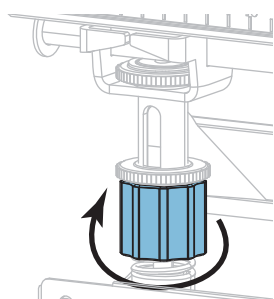
If none of these issues exist, do not continue with this procedure.

4. To make adjustments to the printhead pressure, loosen the upper knurled nut on the toggle to be adjusted.

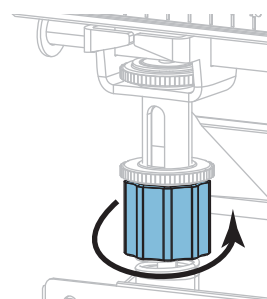


5. Increase or decrease the pressure by rotating the lower nut.

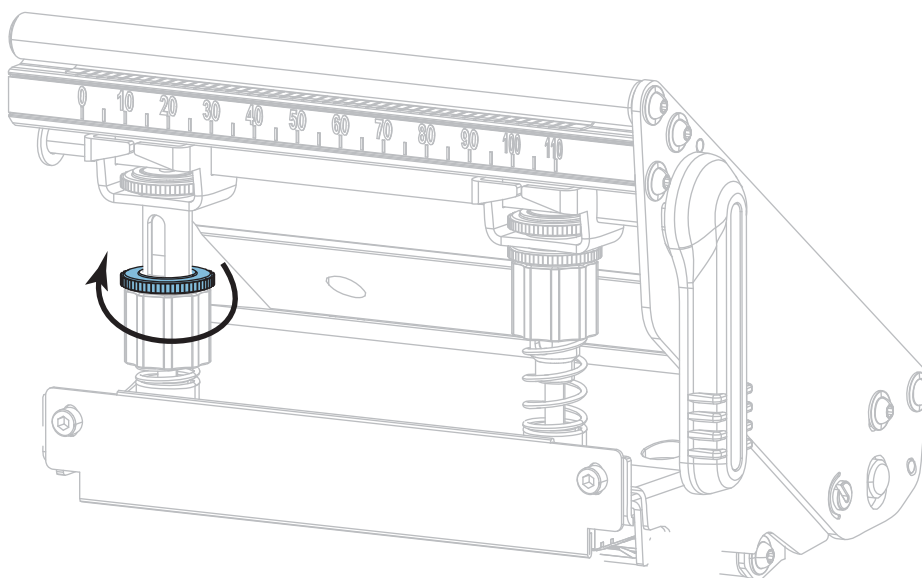
**Increase pressure**



**Decrease pressure**



6. Hold the lower nut in place and tighten the upper knurled nut.



7. If necessary, reinitiate the PRINT LINE option of *PRINT TEST FORMAT* on page 140.
8. While printing labels, use the control panel to raise the darkness setting until the labels are again printing black instead of gray. (See *DARKNESS* on page 105.)
9. Check the print quality, and if necessary, repeat this procedure until the printhead pressure is adequate.

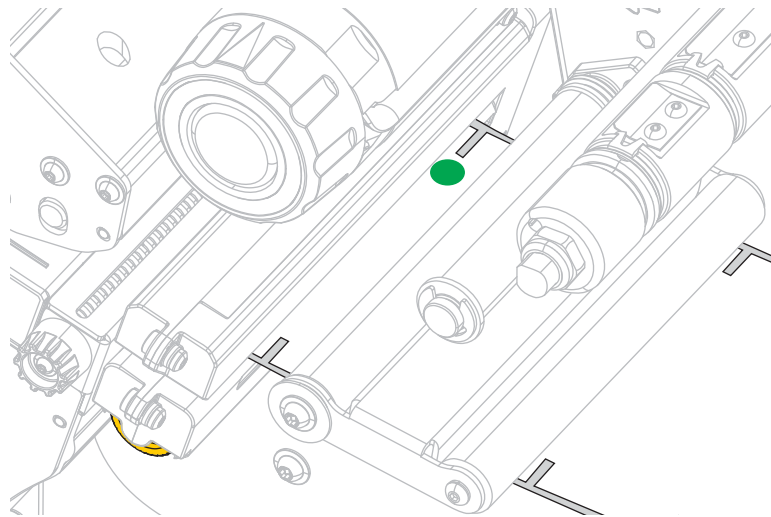
## Adjust the Sensor Position

The transmissive media sensor assembly consists of two parts: a light source and a light sensor. The lower part of the media sensor is the light source, and the upper part of the media sensor is the light sensor. The media passes between the two parts.

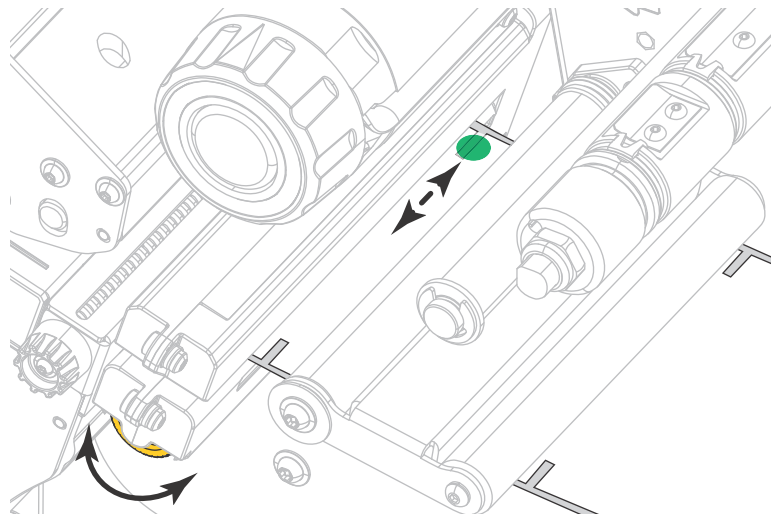
Adjust the position of the sensor only if the printer cannot detect the top of the labels. In this situation, the display shows a media out error even though there is media loaded in the printer. For non-continuous media with a notch or hole, the sensor must be positioned directly at the notch or hole.

### To adjust the transmissive media sensor position, complete these steps:

1. Remove the ribbon so you can clearly see the media path.
2. With media loaded, locate the green light that shines from the lower part of the media sensor.



3. If necessary, turn the gold transmissive sensor adjustment wheel to move the sensor until it is positioned at a notch or hole in the media.

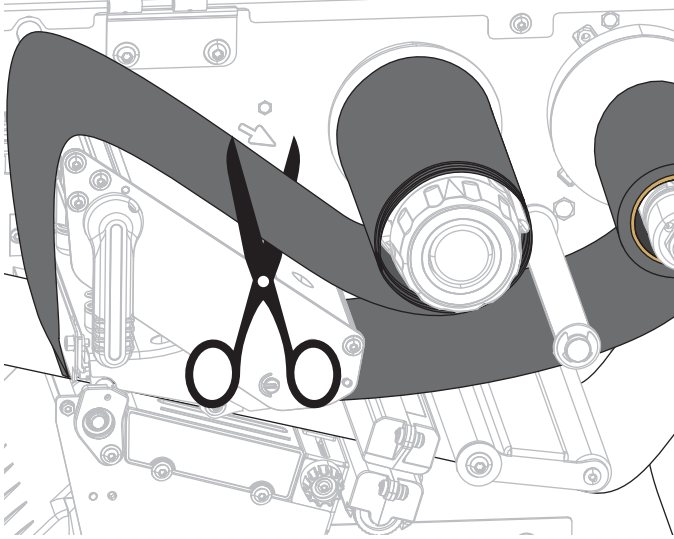


## Remove Used Ribbon

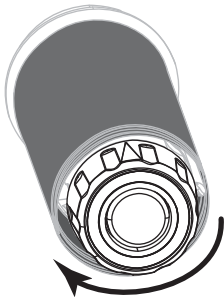
At minimum, remove used ribbon from the ribbon take-up spindle each time you change the roll of ribbon. With ribbon that is half or less the width of the printhead, remove used ribbon each time you load a new roll of media. This ensures that uneven pressure on the ribbon take-up spindle does not interfere with the ribbon release bars on the spindle.

**To remove used ribbon, complete these steps:**

1. Has the ribbon run out?

If the ribbon...	Then
Ran out	Continue with the next step.
Did not run out	Cut or break the ribbon before the ribbon take-up spindle.    <b>Caution</b> • Do not cut the ribbon directly on the ribbon take-up spindle. Doing so may damage the spindle.

2. While holding the ribbon take-up spindle, turn the ribbon release knob to the left until it stops.



The ribbon release bars pivot down, easing the spindle’s grip on the used ribbon.

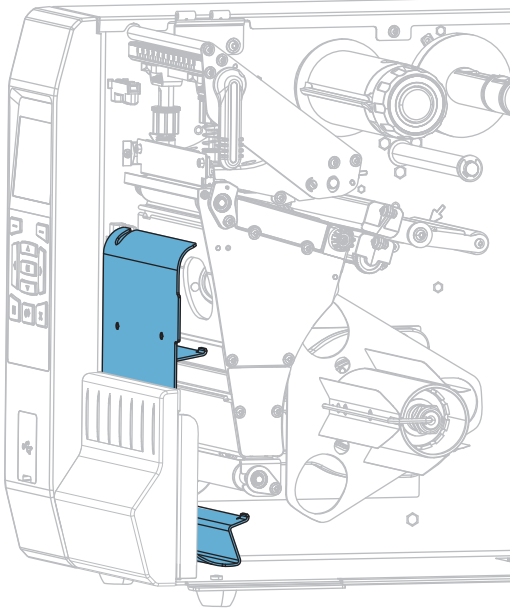
3. After the ribbon release bars have pivoted down, if possible, turn the ribbon take-up spindle one full to the right to help loosen the ribbon on the spindle.
4. Slide the used ribbon off of the ribbon take-up spindle and discard.



# Install the Rewind/Liner Take-Up Plate

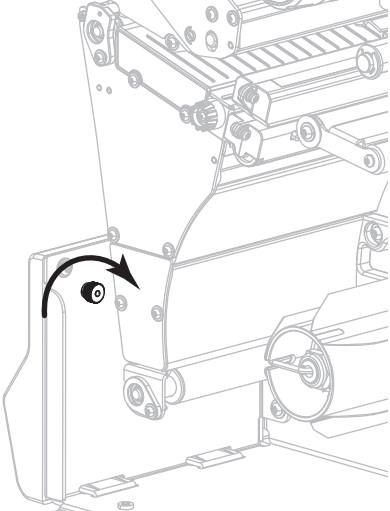
The rewind/liner take-up plate is used in different positions for Rewind mode versus Peel mode or Applicator Mode.

## Peel Mode/Applicator Mode

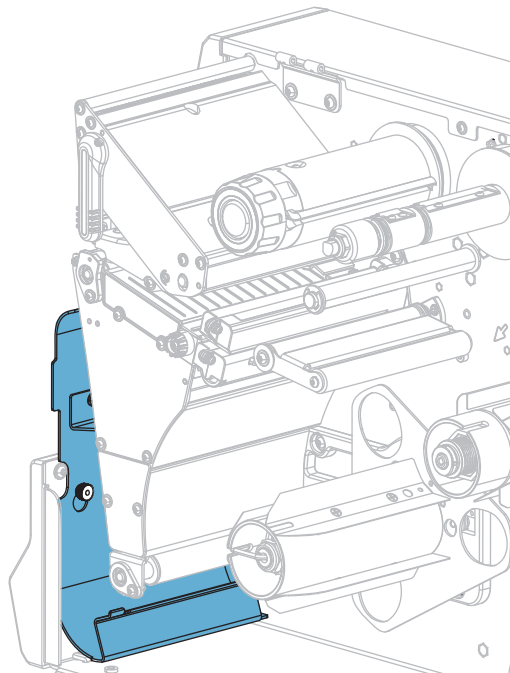


To install the rewind/liner take-up plate for Peel mode or Applicator mode:

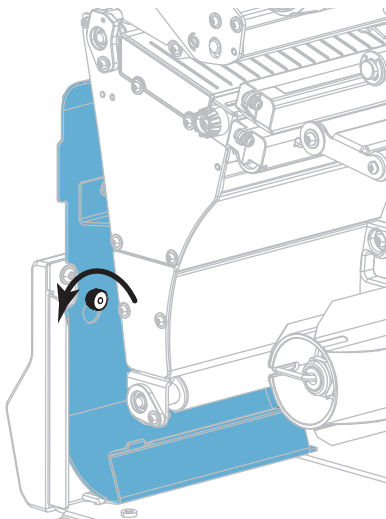
- 1. Loosen the knurled nut (1) on the outside stud on the printer's base.



2. Align the large hole of the keyhole in the rewind/peel plate over the knurled nut, and then slide the plate down until it hits the studs.

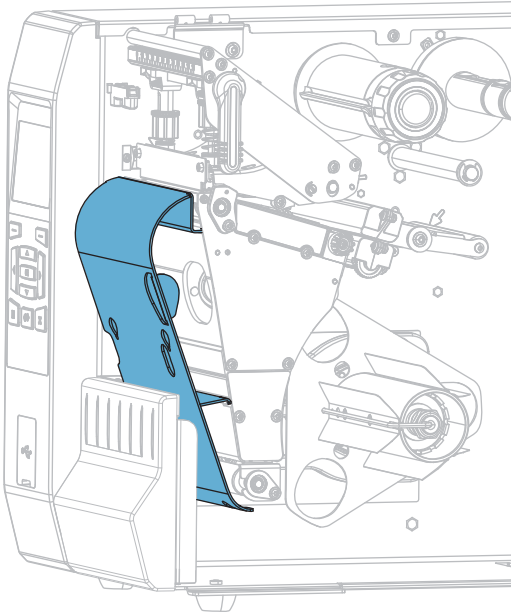


3. Tighten the knurled nut.



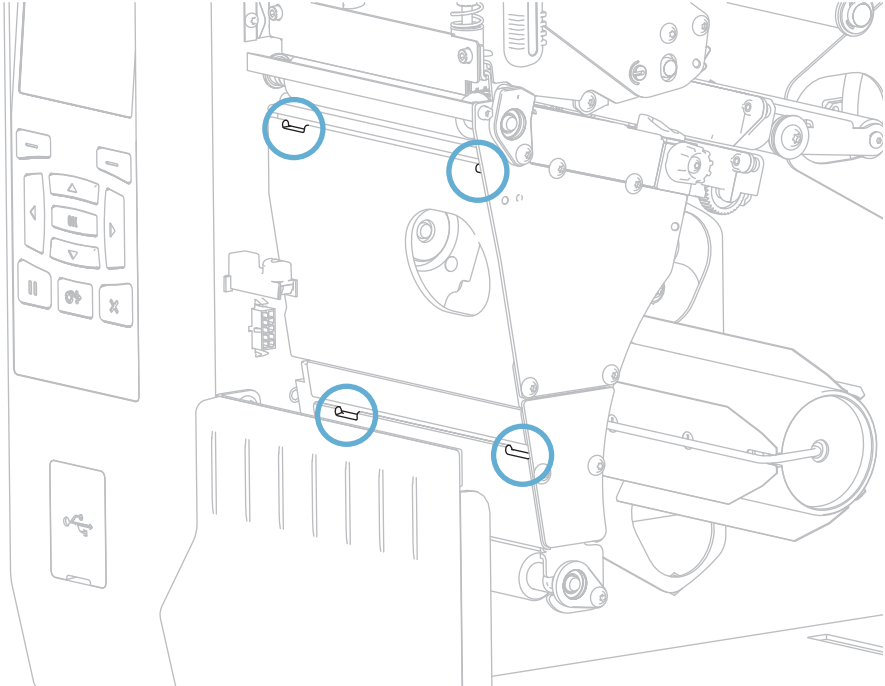


## Rewind Mode

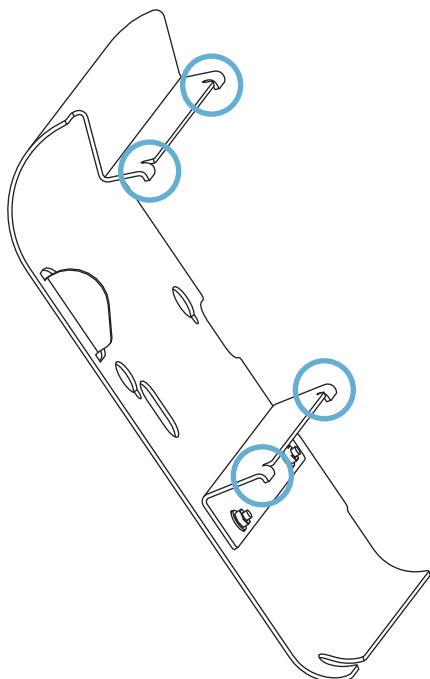


**To install the rewind/liner take-up plate for Rewind mode:**

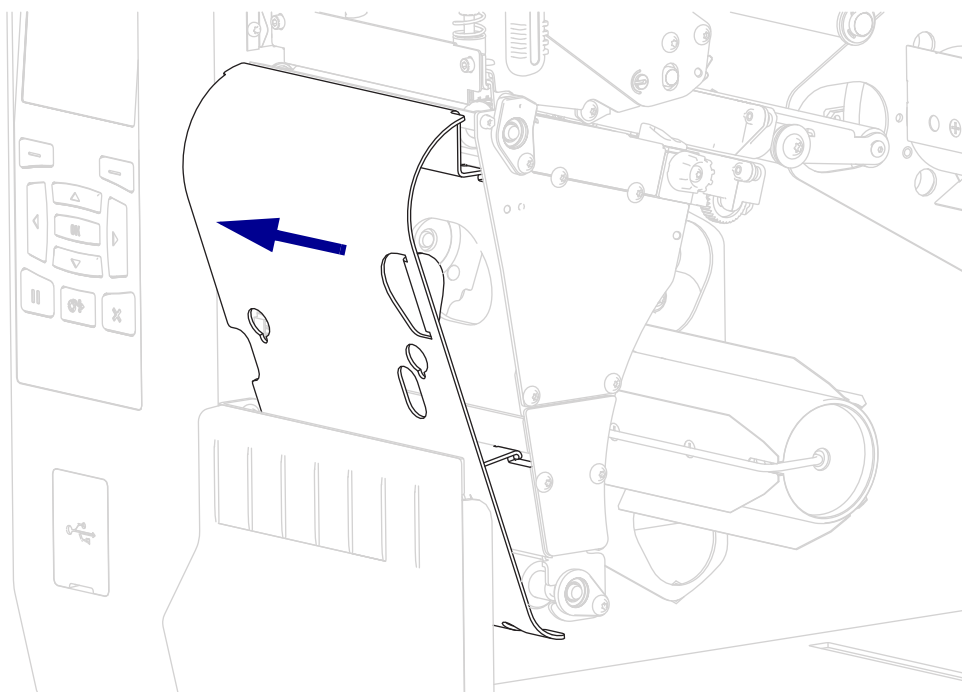
- 1. Locate the four mounting slots for the rewind/liner take-up plate.



2. Locate the four mounting tabs on the rewind/liner take-up plate.



3. Insert the mounting tabs of the rewind plate into the mounting slots of the printer, and then slide the rewind plate to the left until it will not go any farther.



# Routine Maintenance

This section provides routine cleaning and maintenance procedures.

## Contents

Cleaning Schedule and Procedures . . . . .	212
Clean the Exterior, the Media Compartment, and the Sensors . . . . .	213
Clean the Printhead and Platen Roller . . . . .	214
Clean the Cutter Module . . . . .	218
Replacing Printer Components . . . . .	226
Ordering Replacement Parts . . . . .	226
Recycling Printer Components . . . . .	226
Lubrication . . . . .	226

## Cleaning Schedule and Procedures

Routine preventive maintenance is a crucial part of normal printer operation. By taking good care of your printer, you can minimize the potential problems that you might have with it and help to achieve and to maintain your standards for print quality.

Over time, the movement of media or ribbon across the printhead wears through the protective ceramic coating, exposing and eventually damaging the print elements (dots). To avoid abrasion:

- Clean the printhead frequently.
- Minimize printhead pressure and burn temperature (darkness) settings by optimizing the balance between the two.
- When using Thermal Transfer mode, ensure that the ribbon is as wide or wider than the media to prevent exposing the printhead elements to the more abrasive label material.



**Important** • Zebra is not responsible for damage caused by the use of cleaning fluids on this printer.

Specific cleaning procedures are provided on the following pages. [Table 5](#) shows the recommended cleaning schedule. These intervals are intended as guidelines only. You may have to clean more often, depending upon your application and media.

**Table 5 • Recommended Cleaning Schedule**

Area		Method	Interval
Printhead		Solvent*	<b>Direct Thermal Mode:</b> After every roll of media (or 500 feet of fanfold media). <b>Thermal Transfer Mode:</b> After every roll of ribbon.
Platen roller		Solvent*	
Media sensors		Air blow	
Ribbon sensor		Air blow	
Media path		Solvent*	
Ribbon path		Solvent*	
Pinch roller (part of Peel-Off option)		Solvent*	
Cutter module	If cutting continuous, pressure-sensitive media	Solvent*	After every roll of media (or more often, depending upon your application and media).
	If cutting tag stock or label liner material	Solvent* and air blow	After every two or three rolls of media.
Tear-off/peel-off bar		Solvent*	Once a month.
Take-label sensor		Air blow	Once every six months.

\* Zebra recommends using the Preventive Maintenance Kit (p/n 47362 or p/n 105950-035 - multipack). In place of this kit, you may use a clean swab dipped in 99.7% isopropyl alcohol.

For 600 dpi printers, use Save-a-Printhead cleaning film. This specially coated material removes contamination buildup without damaging the printhead. Call your authorized reseller or distributor for more information.

## Clean the Exterior, the Media Compartment, and the Sensors

Over time, dust, grime, and other debris may build up on the outside and inside of your printer, particularly in a harsh operating environment.

### Printer Exterior

You may clean the exterior surfaces of the printer with a lint-free cloth and a small amount of a mild detergent, if necessary. Do not use harsh or abrasive cleaning agents or solvents.

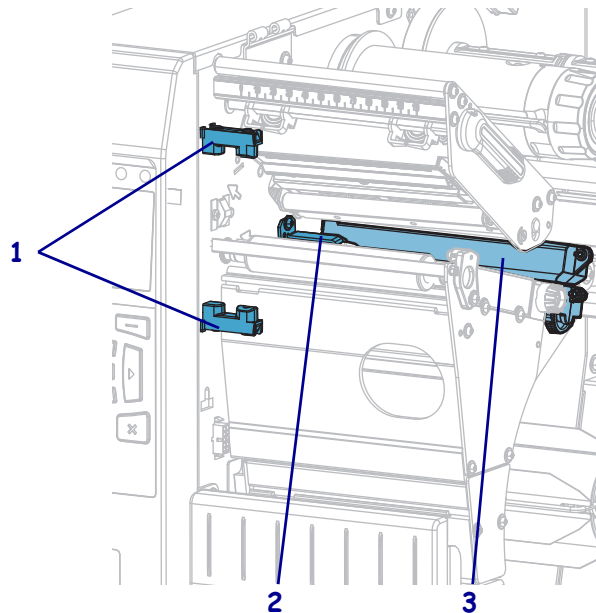


**Important** • Zebra is not responsible for damage caused by the use of cleaning fluids on this printer.

### Media Compartment and Sensors

To clean the sensors, complete these steps:

1. Brush, air blow, or vacuum any accumulated paper lint and dust away from the media and ribbon paths.
2. Brush, air blow, or vacuum any accumulated paper lint and dust away from the sensors.



<b>1</b>	Take-label sensor
<b>2</b>	Ribbon sensor
<b>3</b>	Media sensor

## Clean the Printhead and Platen Roller

Inconsistent print quality, such as voids in the barcode or graphics, may indicate a dirty printhead. For the recommended cleaning schedule, see [Table 5 on page 212](#).

---

**Caution** • While performing any tasks near an open printhead, remove all rings, watches, hanging necklaces, identification badges, or other metallic objects that could touch the printhead. You are not required to turn off the printer power when working near an open printhead, but Zebra recommends it as a precaution. If you turn off the power, you will lose all temporary settings, such as label formats, and you must reload them before you resume printing.

---



---

**Caution** • The printhead may be hot and could cause severe burns. Allow the printhead to cool.

---



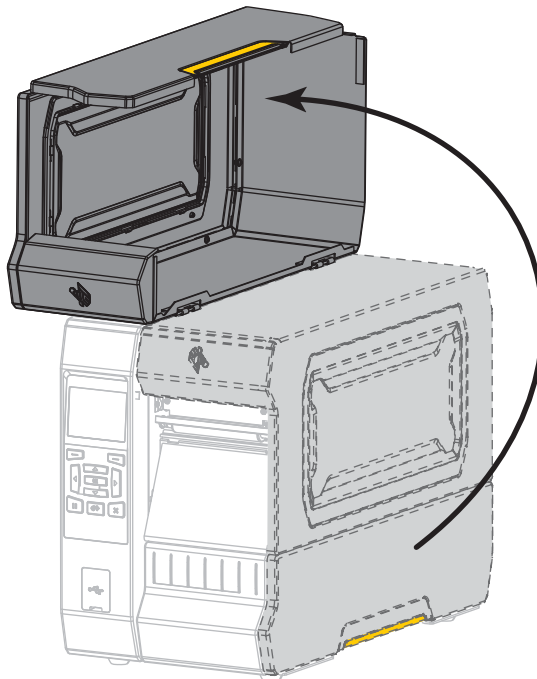
---

**Caution** • Before touching the printhead assembly, discharge any built-up static electricity by touching the metal printer frame or by using an antistatic wriststrap and mat.

---

### To clean the printhead and platen roller, complete these steps:

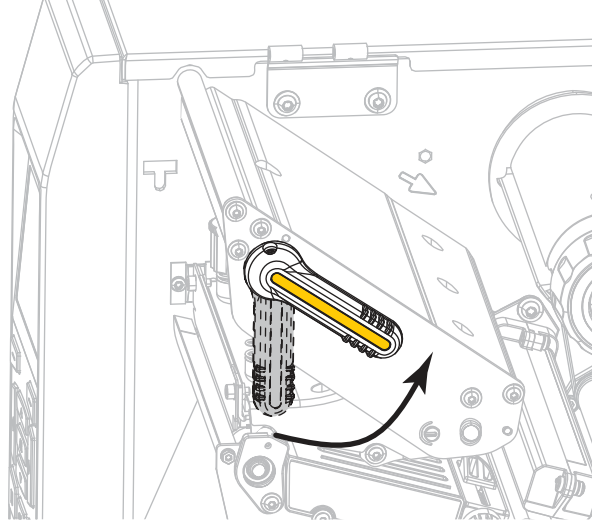
1. Raise the media door.



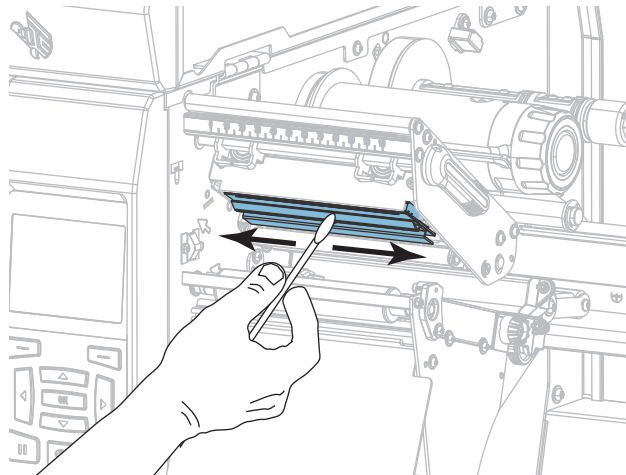


2. **Caution** • The printhead may be hot and could cause severe burns. Allow the printhead to cool.

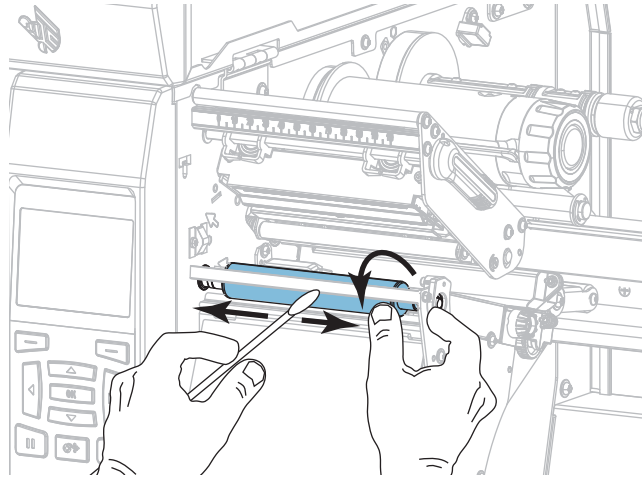
Open the printhead assembly by rotating the printhead-open lever upward.



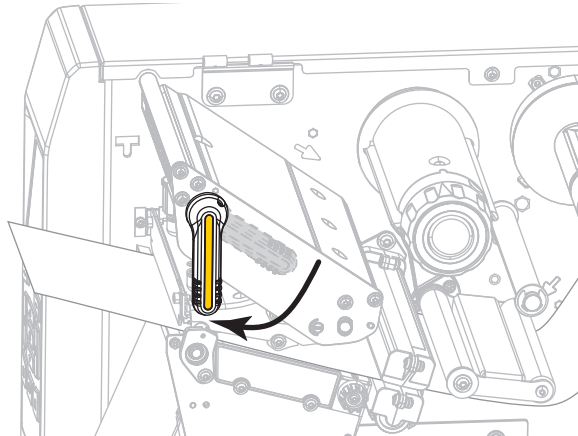
3. Remove the ribbon (if used) and the media.
4. Using the swab from a Zebra Preventive Maintenance Kit, wipe along the brown strip on the printhead assembly from end to end. In place of the Preventive Maintenance Kit, you may use a clean swab dipped in 99.7% isopropyl alcohol. Allow the solvent to evaporate.



5. While manually rotating the platen roller, clean it thoroughly with the swab. Allow the solvent to evaporate.

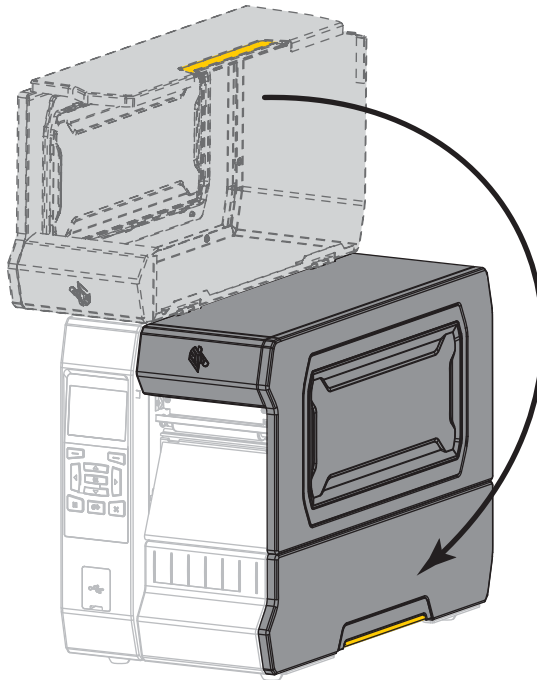


6. Reload the ribbon (if used) and the media. For instructions, see [Load the Ribbon on page 58](#) or [Load the Media on page 32](#).
7. Rotate the printhead-open lever downward until it locks the printhead in place.





8. Close the media door.



The printer is ready to operate.

9. Press PAUSE to exit pause mode and enable printing.

The printer may perform a label calibration or feed a label, depending on your settings.



**Note** • If performing this procedure does not improve print quality, try cleaning the printhead with *Save-A-Printhead* cleaning film. This specially coated material removes contamination buildup without damaging the printhead. Call your authorized Zebra reseller for more information.

## Clean the Cutter Module

If the cutter is not cutting the labels cleanly or if it jams with labels, clean the cutter blades.



---

**Caution** • For personnel safety, always power off and unplug the printer before performing this procedure.

---

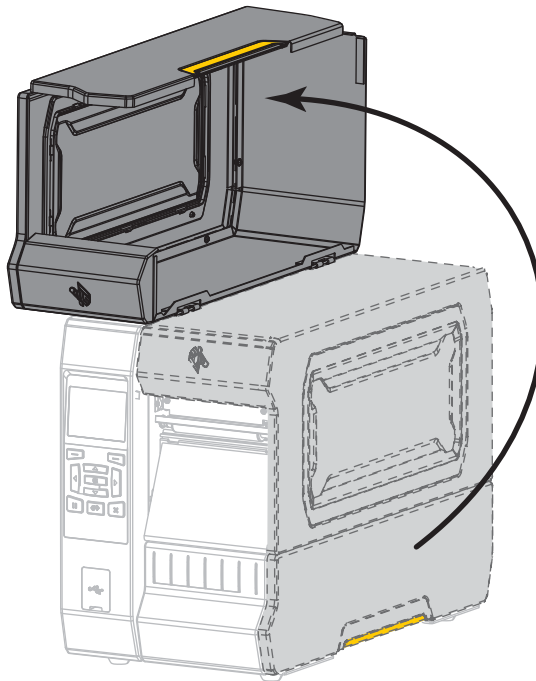
### To clean the cutter module, complete these steps:



1. **Caution** • Turn off (O) the printer and disconnect it from the power source before performing the following procedure.
- 

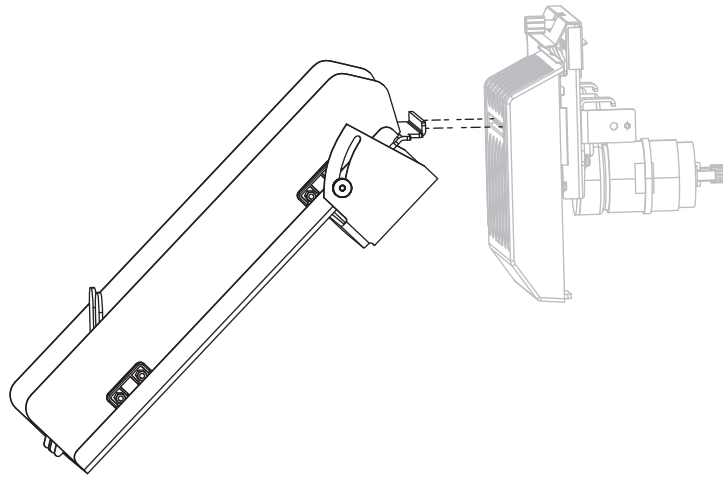
Turn off (O) the printer and disconnect the AC power cord.

2. Raise the media door.

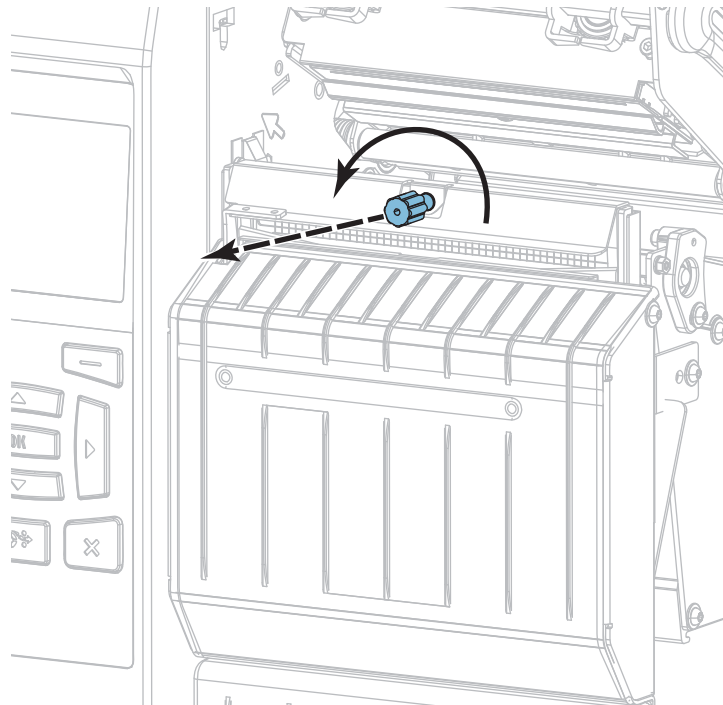


3. Remove the media from the cutter module.

4. Remove the cutter catch tray (if used).



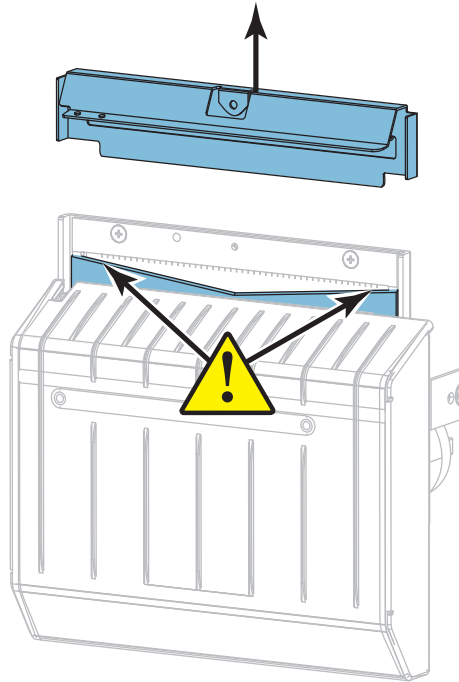
5. Loosen and remove the thumbscrew and lock washer on the cutter shield.





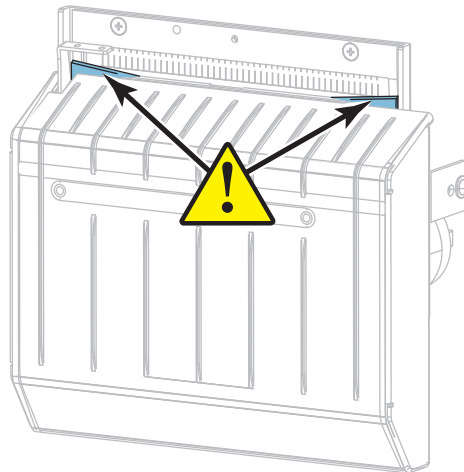
6. **Caution** • The cutter blade is sharp. Do not touch or rub the blade with your fingers.

Remove the cutter shield.

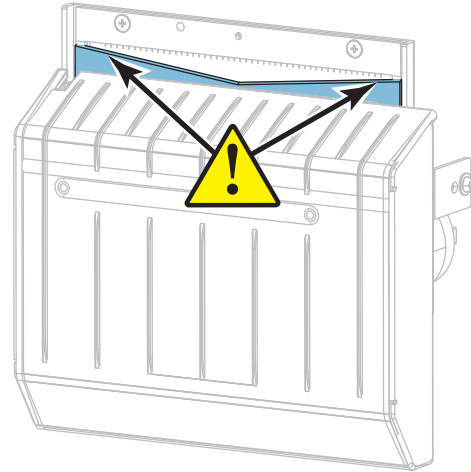


7. Is the cutter blade fully exposed?

**Blade in lowered position**



**Blade fully exposed**

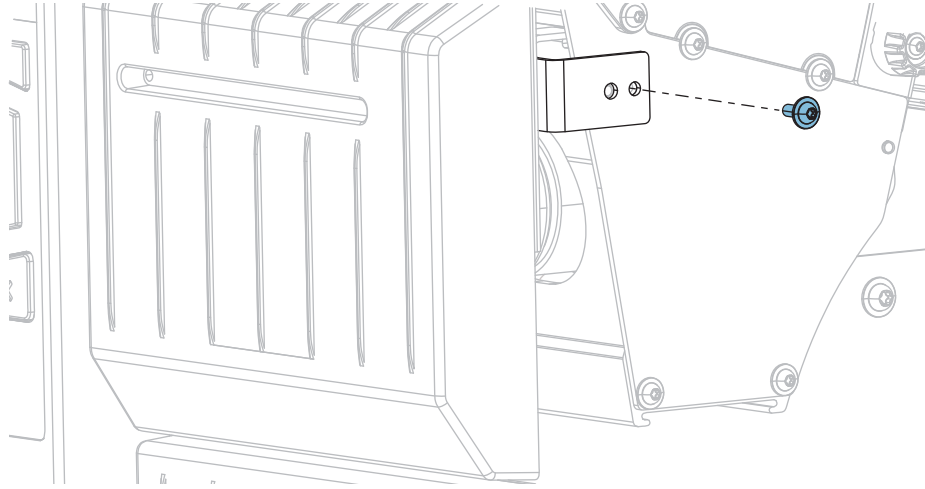


If the blade is...	Then... (d1_CellHead_Left)
Lowered	Continue with <a href="#">step 8</a> to remove the cutter module from the printer so that you can rotate the blade upward.
Fully exposed	Skip to <a href="#">step 9</a> on <a href="#">page 223</a> .

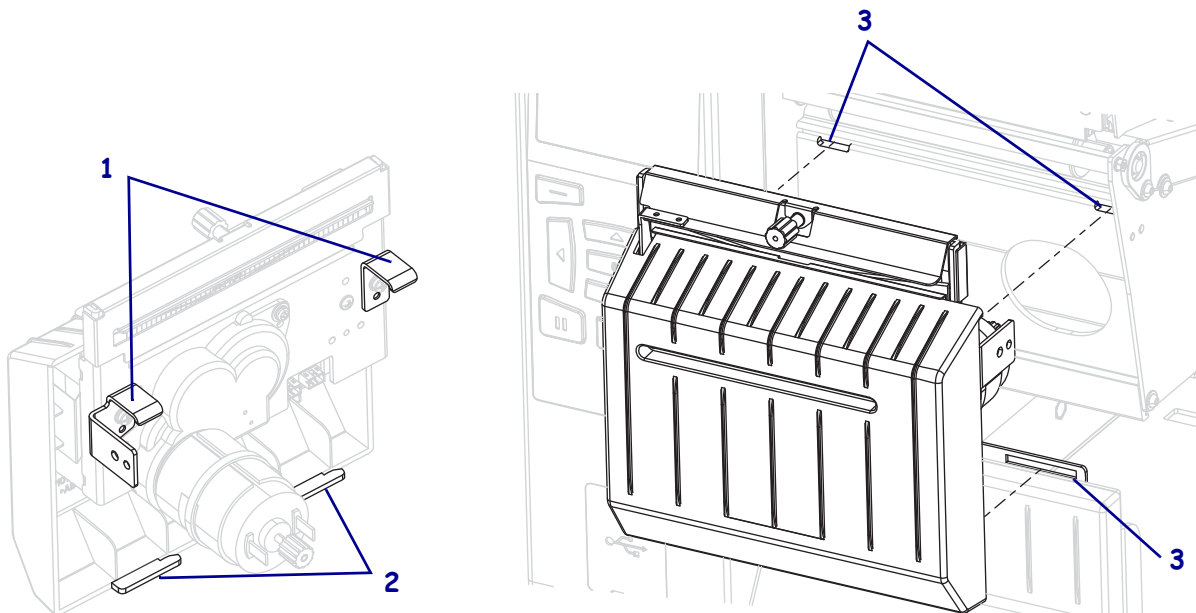


8. **Important** • This part of the procedure should be performed only by experienced users and only when the cutter blade is not fully exposed for cleaning, as shown in the previous step.

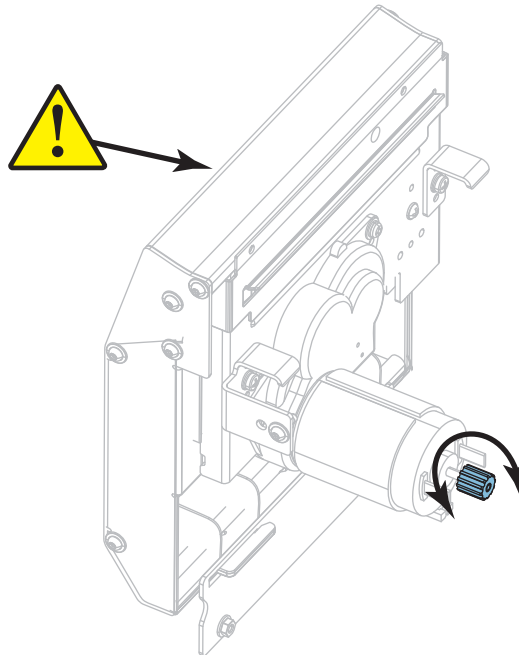
- 8-a. Remove the cutter mounting screw.



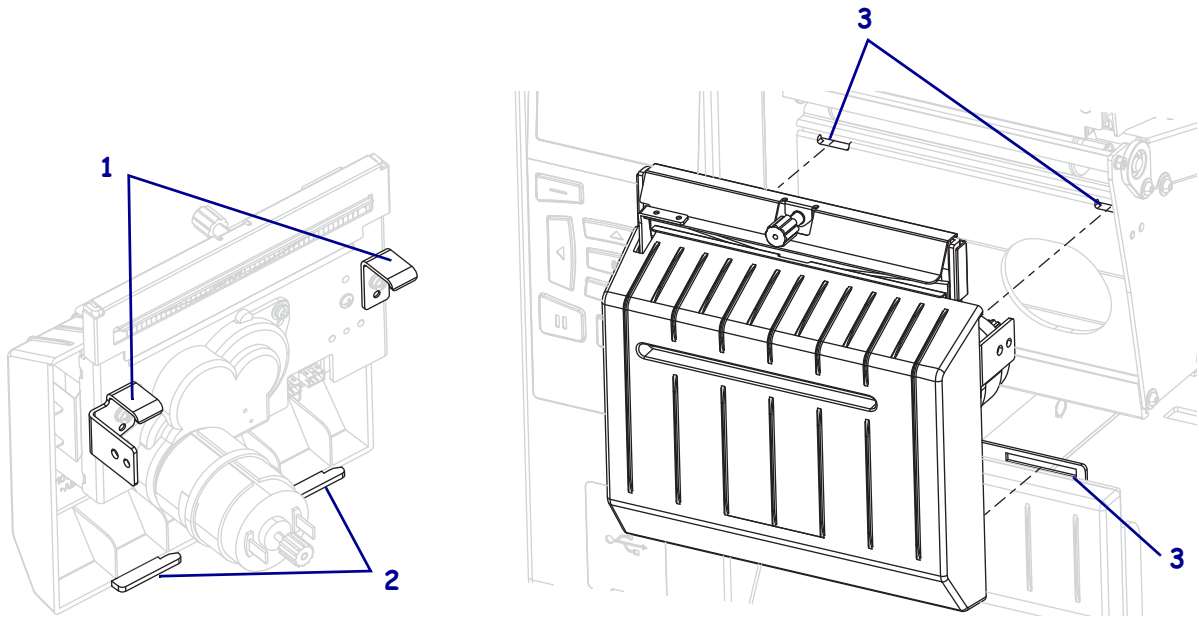
- 8-b. Slide the cutter module to the right to align the cutter assembly tabs (1) and cutter cover tabs (2) with the corresponding slots (3) in the printer, and then lift the cutter module out of the printer. Take care not to damage the wires that connect the cutter module to the printer. If desired, you may disconnect these wires.



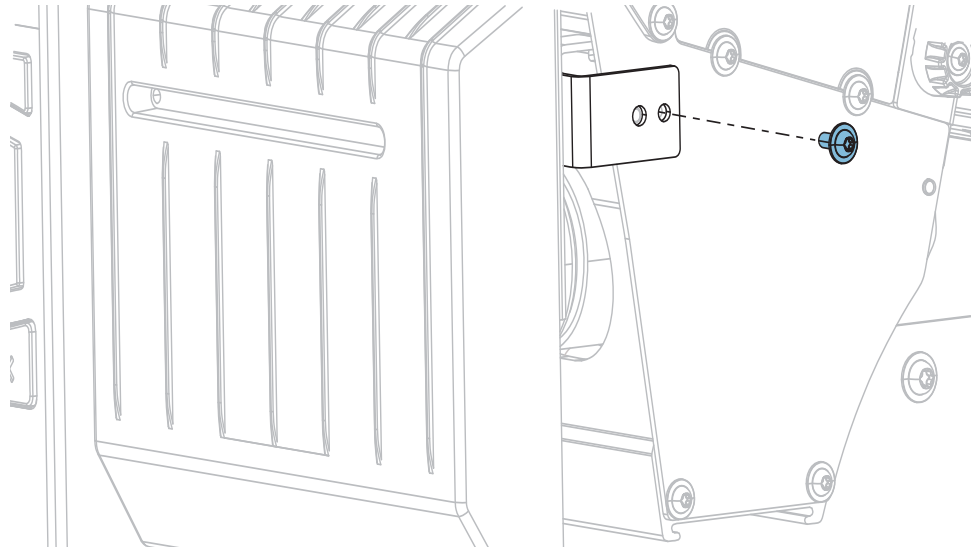
- 8-c.** On the back of the cutter module, rotate the cutter motor thumbscrew to fully expose the cutter blade.



- 8-d.** If you disconnected the wires that connect the cutter module to the printer, reconnect them.
- 8-e.** Align the cutter assembly tabs **(1)** and cutter cover tabs **(2)** with the corresponding slots **(3)** in the printer, and then slide the cutter assembly back into the printer. Take care not to damage the wires that connect the cutter module to the printer.

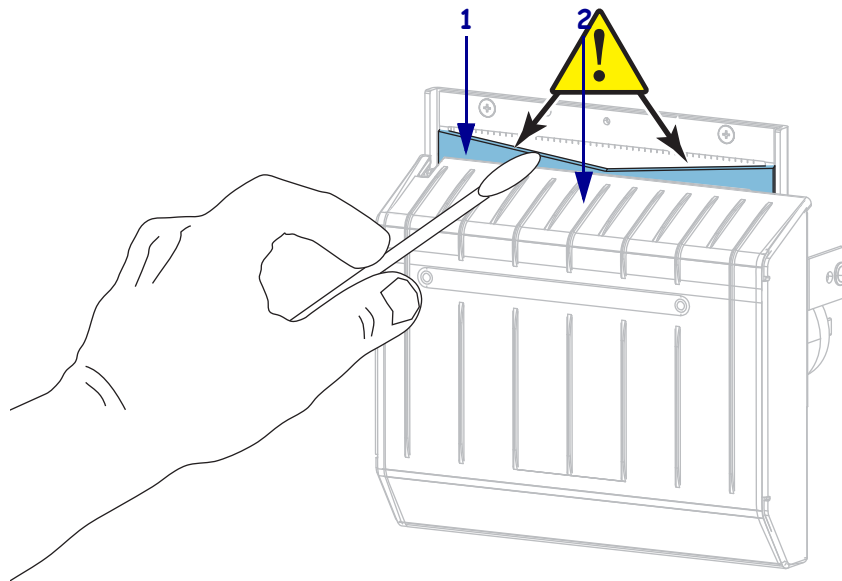


- 8-f. Slide the cutter module to the left, and then reinstall the cutter mounting screw.



- 8-g. Continue with [step 9](#).

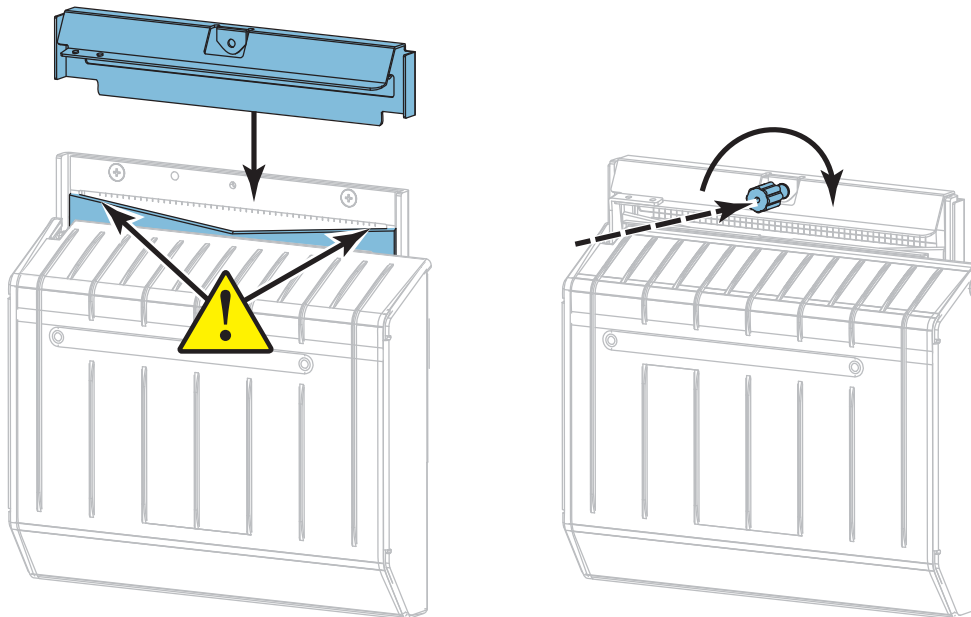
9. Using the swab from the Preventive Maintenance Kit (part number 47362), wipe along the upper cutting surface (1) and the cutter blade (2). In place of the Preventive Maintenance Kit, you may use a clean swab dipped in 99.7% isopropyl alcohol. Allow the solvent to evaporate.





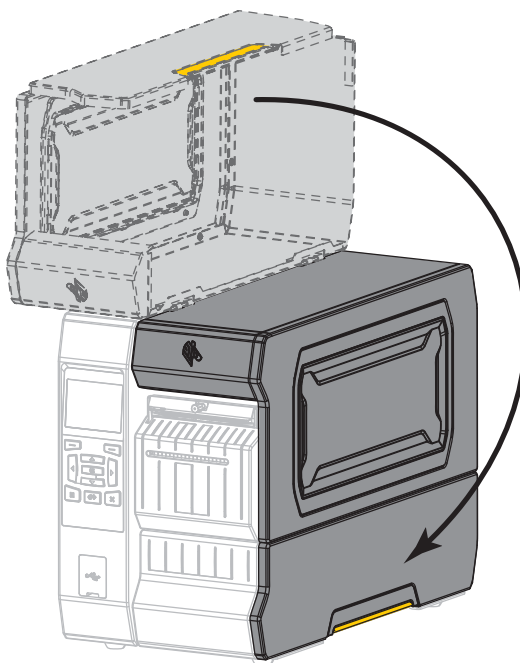
10. **Caution** • The cutter blade is sharp. For operator safety, replace the cutter shield.

Replace the cutter shield and secure it with the thumbscrew and lock washer that you removed earlier.



11. Reinstall the media.

12. Close the media door.



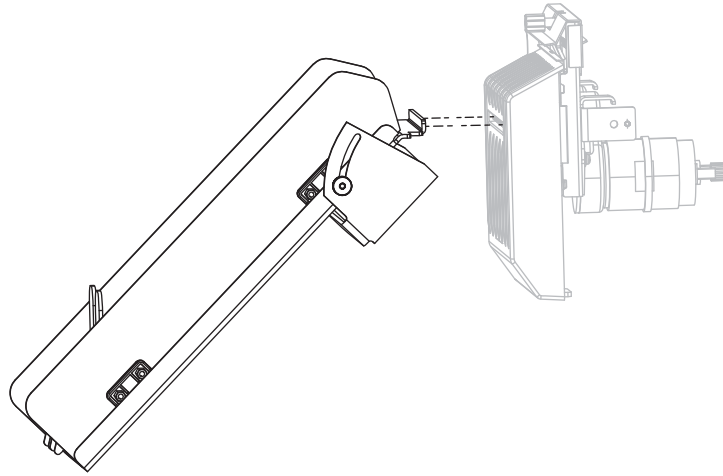
**ULINE**

1-800-295-5510

0720 IH-7378VND



13. Plug the printer into its power source, and then turn on (I) the printer.  
The cutter blade returns to its operating position.
14. Reinstall the cutter catch tray (if used).



15. If the cutter continues to perform unsatisfactorily, contact an authorized service technician.

## Replacing Printer Components

Some printer components, such as the printhead and platen roller, may wear out over time and can be replaced easily. Regular cleaning may extend the life of some of these components. See [Table 5 on page 212](#) for the recommended cleaning intervals.

### Ordering Replacement Parts

For optimal printing quality and proper printer performance across our product line, Zebra strongly recommends the use of genuine Zebra™ supplies as part of the total solution. Specifically, the ZT600 Series printers are designed to work only with genuine Zebra™ printheads, thus maximizing safety and print quality.

Contact your authorized Zebra reseller for part ordering information.

### Recycling Printer Components



The majority of this printer's components are recyclable. The printer's main logic board may include a battery that you should dispose of properly.

Do not dispose of any printer components in unsorted municipal waste. Please dispose of the battery according to your local regulations, and recycle the other printer components according to your local standards. For more information, see <http://www.zebra.com/environment>.

### Lubrication

No lubrication is needed for this printer.

---

**Caution** • Some commercially available lubricants will damage the finish and the mechanical parts if used on this printer.

---

# Diagnostics and Troubleshooting

This section provides diagnostic tests and other information that may help you to optimize printing or to troubleshoot issues with your printer.

For videos of some common procedures, go to <http://www.zebra.com/zt600-info>.



## Contents

QR Codes and QuickHelp Pages . . . . .	228
Judging Barcode Quality . . . . .	229
Printer Diagnostic Tests . . . . .	231
Print Test Format Option . . . . .	232
Optimal Darkness and Speed Test . . . . .	237
Communication Diagnostics Test . . . . .	239
Sensor Profile . . . . .	240
Troubleshooting . . . . .	244
Indicator Lights . . . . .	242
Alerts and Error Messages . . . . .	244
Printing Issues . . . . .	248
Ribbon Issues . . . . .	252
RFID Issues . . . . .	254
Communications Issues . . . . .	257
Miscellaneous Issues . . . . .	258

## QR Codes and QuickHelp Pages

With many alerts or error messages, the printer includes the option to view a QuickHelp page from a smartphone. When this option is available, the lower right-hand corner of the alert or error message displays **QR**.

### To access a QuickHelp page from an error message, do the following:

1. While the message is on the screen, press RIGHT SELECT to select **QR**.

The printer displays a QuickHelp page specific to that error message. This page includes a QR code, such as this.



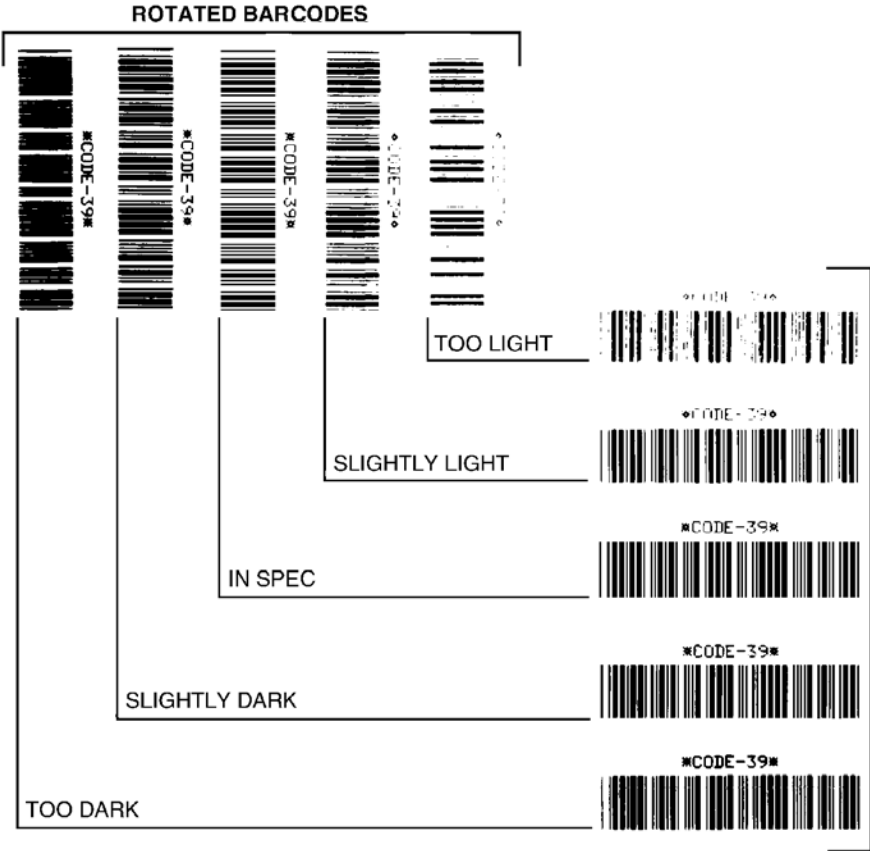
2. Scan the QR code with a smartphone.

Your phone accesses either a video specific to that error message or the Zebra support page for your printer.

# Judging Barcode Quality

Figure 18 shows how printer settings such as darkness and print speed can affect the quality of barcodes. Set the print darkness to the lowest setting that provides good print quality. Tests such as the *Print Test Format Option* on page 232 and the *Optimal Darkness and Speed Test* on page 237 can be used to help determine the optimal settings for your printer and media.

Figure 18 • Barcode Darkness Comparison



**Too Dark** Labels that are too dark are fairly obvious. They may be readable but not “in-spec.”

- The normal barcode bars increase in size.
- The openings in small alphanumeric characters may fill in with ink.
- Rotated barcode bars and spaces run together.

**Slightly Dark** Slightly dark labels are not as obvious.

- The normal barcode will be “in-spec.”
- Small character alpha numerics will be bold and could be slightly filled in.
- The rotated barcode spaces are small when compared to the “in-spec” code, possibly making the code unreadable.



**“In-Spec”** The “in-spec” barcode can only be confirmed by a verifier, but it should exhibit some visible characteristics.

- The normal barcode will have complete, even bars and clear, distinct spaces.
- The rotated barcode will have complete, even bars and clear, distinct spaces. Although it may not look as good as a slightly dark barcode, the barcode will be “in-spec.”
- In both normal and rotated styles, small alphanumeric characters look complete.

**Slightly Light** Slightly light labels are, in some cases, preferred to slightly dark ones for “in-spec” barcodes.

- Both normal and rotated barcodes will be in spec, but small alphanumeric characters may not be complete.

**Too Light** Labels that are too light are obvious.

- Both normal and rotated barcodes have incomplete bars and spaces.
- Small alphanumeric characters are unreadable.

## Printer Diagnostic Tests

Diagnostic tests provide specific information about the condition of the printer and its components. The resulting printouts provide information that helps to determine the optimal operating conditions for the printer as well as to troubleshoot any issues.



**Important** • When performing the diagnostic tests in this section, do not send data to the printer from the host.



**Note** •

- For best results, use full-width media when performing these diagnostic tests.
- If your media is shorter than the image to be printed, the image extends onto multiple labels.
- If the printer is in applicator mode and the media liner is being taken up by the applicator, the applicator operator may need to remove test labels as they become available for you to continue.

## Print Test Format Option

The option [PRINT TEST FORMAT](#) on page 140 can be used to print various labels that can assist you with troubleshooting or with making adjustments to your printer. This section describes the selections for this option.

### DARKNESS



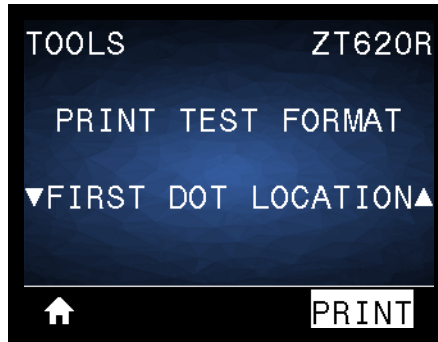
The printer repeats printing an image with incrementing darkness levels. Press CANCEL to stop the printing process at any time when the pattern is clear and legible.



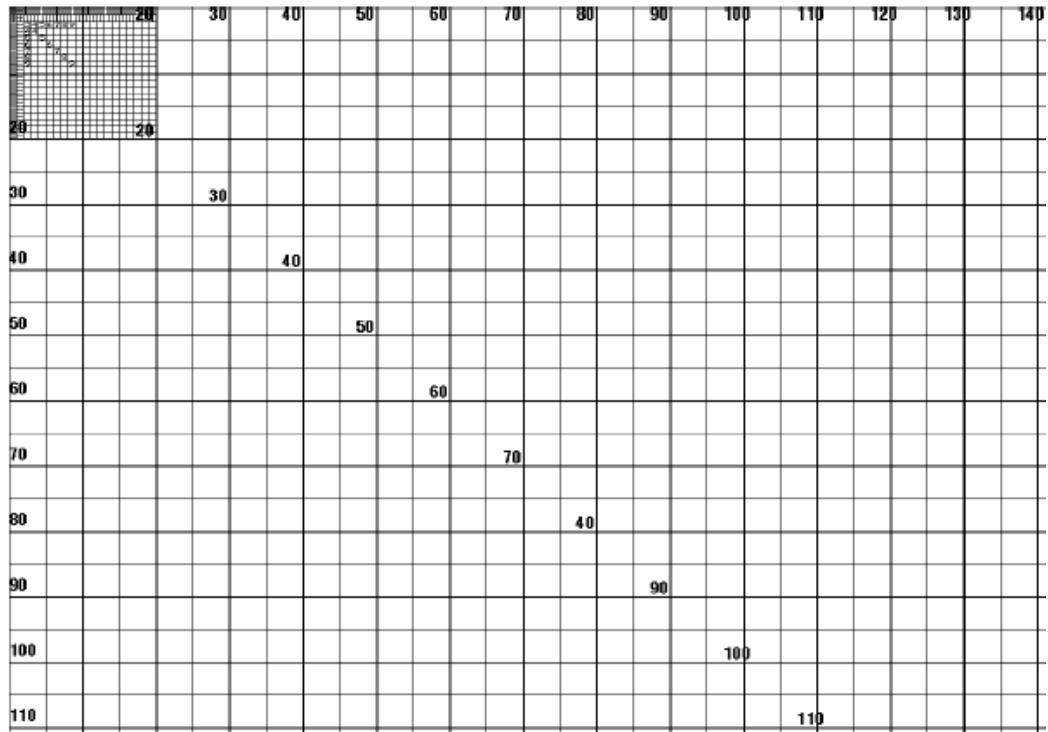
Use the numbers on the images to determine the best print darkness. If necessary, change your darkness setting to the one that gave you the best results on the above labels. (See [DARKNESS](#) on page 105.)



## FIRST DOT LOCATION

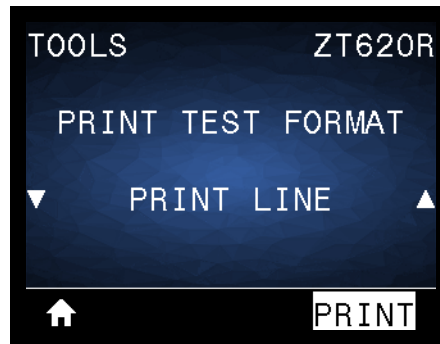


The printer prints an image to assist you with adjusting the position of the image on your labels, if necessary. The lines on the image print from the label top and left edge to identify what should be the top-left corner of the label.



If necessary, use *TEAR OFF* on page 109 and *LEFT POSITION* on page 113 to adjust the image location.

## PRINT LINE



The printer initiates a test sequence that prints an ink/printhead test image multiple times and at varying speeds. These test labels can be used when making adjustments to the printer's mechanical assemblies or to determine if any printhead elements are not working.



During each phase of the test sequence, the printer prints a number of labels at a particular speed and then pauses.

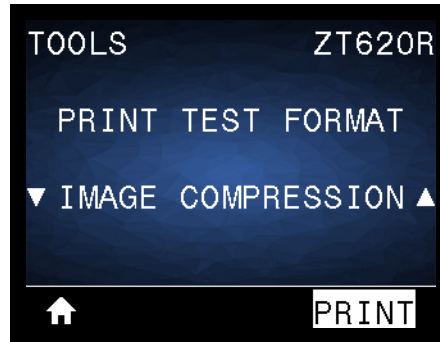
- Press PAUSE to print additional labels at the same speed.
- Press CANCEL to move to the next phase of the test sequence.
- Press and hold CANCEL to exit the test sequence.

Phase	Number of Labels Printed Each Time	Print Speed
1	15 labels	the printer's slowest speed
2	15 labels	6 in. (152 mm) per second
3	50 labels	the printer's slowest speed
4	50 labels	6 in. (152 mm) per second
5	50 labels	the printer's maximum speed

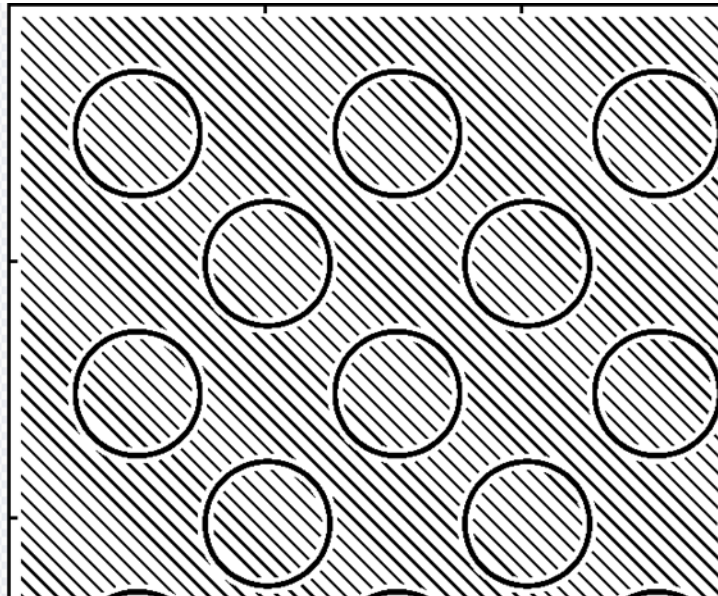
As an alternate way to initiate the PRINT LINE test sequence, reboot the printer while holding PAUSE. Release PAUSE when the first control panel light turns off. (Formerly called a PAUSE self test.)



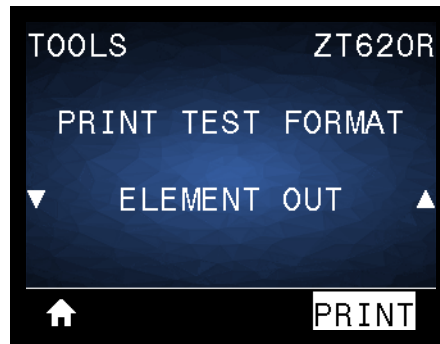
## IMAGE COMPRESSION



The printer prints an image with diagonal lines, circles, and hash marks at regular intervals around the edges of the image to assist with issues regarding compression or stretching of an image. You can measure the distance between the hash marks or compare the circles and lines to verify if things are being distorted.



## ELEMENT OUT



The printer prints a horizontal image designed to show if a printhead element is not functioning.



## Optimal Darkness and Speed Test

(This test was formerly called the FEED self test.) Different types of media may require different darkness settings. This section contains a simple but effective method for determining the ideal darkness for printing barcodes that are within specifications.

During this test, labels are printed at different darkness settings and at different print speeds. The relative darkness and the print speed are printed on each label. The barcodes on these labels may be ANSI-graded to check print quality.

The darkness value starts at three settings lower than the printer's current darkness setting (relative darkness of -3) and increase until the darkness is three settings higher than the current darkness value (relative darkness of +3).

### To perform the optimal darkness and speed test, complete these steps:

1. Print a configuration label to show the printer's current settings. (See *PRINT INFORMATION* on page 120.)
2. Turn off (O) the printer.
3. Press and hold FEED while turning on (I) the printer. Hold FEED until the first control panel light turns off.

The printer prints a series of labels (Figure 19) at various speeds and at darkness settings higher and lower than the darkness value shown on the configuration label.

**Figure 19 • Sample Darkness and Speed Test Label**



4. See *Judging Barcode Quality* on page 229. Inspect the test labels and determine which one has the best print quality for your application. If you have a barcode verifier, use it to measure bars/spaces and calculate the print contrast. If you do not have a barcode verifier, use your eyes or the system scanner to choose the optimal darkness setting based on the labels printed in this self test.

5. Note the relative darkness value and the print speed printed on the best test label.
6. Add or subtract the relative darkness value from the darkness value specified on the configuration label. The resulting numeric value is the best darkness value for that specific label/ribbon combination and print speed.
7. If necessary, change the darkness value to the darkness value on the best test label.
8. If necessary, change the print speed to the same speed as on the best test label.

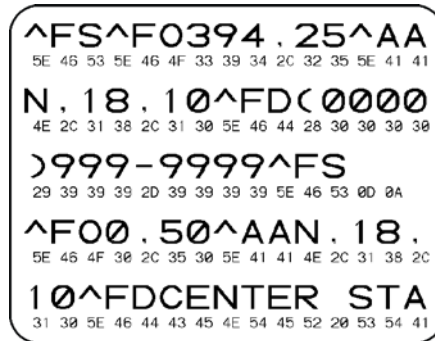
## Communication Diagnostics Test

The communication diagnostics test is a troubleshooting tool for checking the interconnection between the printer and the host computer. When the printer is in diagnostics mode, it prints all data received from the host computer as straight ASCII characters with the hex values below the ASCII text. The printer prints all characters received, including control codes such as CR (carriage return). [Figure 20](#) shows a typical test label from this test.



**Note** • The test label prints upside-down.

**Figure 20 • Sample Communications Diagnostics Test Label**



### To use communications diagnostics mode, complete these steps:

1. Set the print width equal to or less than the label width being used for the test. (See [PRINT WIDTH](#) on page 110.)
2. Set the DIAGNOSTIC MODE option to ENABLED. (See [DIAGNOSTIC MODE](#) on page 128 for more information.)

The printer enters diagnostics mode and prints any data received from the host computer on a test label

3. Check the test label for error codes. For any errors, check that your communication parameters are correct.

Errors show on the test label as follows:

- FE indicates a framing error.
- OE indicates an overrun error.
- PE indicates a parity error.
- NE indicates noise.

4. To exit this self test and return to normal operation, power cycle the printer or set the DIAGNOSTIC MODE option to DISABLED.

## Sensor Profile

Use the sensor profile image (which will extend across several actual labels or tags) to troubleshoot the following situations:

- The printer experiences difficulty in determining gaps (web) between labels.
- The printer incorrectly identifies preprinted areas on a label as gaps (web).
- The printer cannot detect ribbon.

With the printer in the Ready state, print a sensor profile in one of these ways:

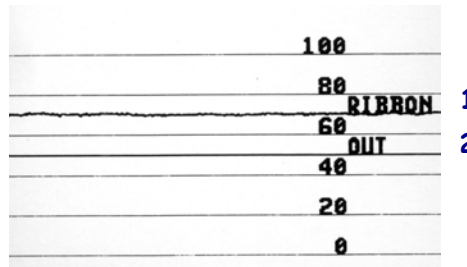
Using the buttons on the control panel	<ol style="list-style-type: none"> <li>Turn off (O) the printer.</li> <li>Press and hold FEED + CANCEL while turning on (I) the printer.</li> <li>Hold FEED + CANCEL until the first control panel light turns off.</li> </ol>
Using ZPL	<ol style="list-style-type: none"> <li>Send the ~JG command to the printer. See the <i>Zebra Programming Guide</i> for more information about this command.</li> </ol>
Using the control panel display	<ol style="list-style-type: none"> <li>Navigate to the following item under the SENSORS menu.                     <div data-bbox="852 934 1295 1276" data-label="Image"> </div> </li> <li>Press RIGHT SELECT to select PRINT.</li> </ol>

Compare your results to the examples shown in this section. If the sensitivity of the sensors must be adjusted, calibrate the printer (see [Calibrate the Ribbon and Media Sensors on page 192](#)).



**Ribbon Sensor Profile (Figure 21)** The line labeled RIBBON (1) on the sensor profile indicates the ribbon sensor readings. The ribbon sensor threshold setting is indicated by OUT (2). If the ribbon readings are below the threshold value, the printer does not acknowledge that ribbon is loaded.

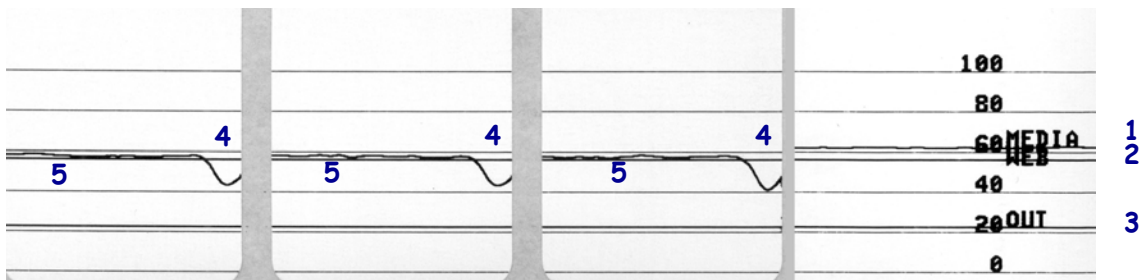
**Figure 21 • Sensor Profile (Ribbon Section)**



**Media Sensor Profile (Figure 22)** The line labeled MEDIA (1) on the sensor profile indicates the media sensor readings. The media sensor threshold settings is indicated by WEB (2). The media out threshold is indicated by OUT (3). The downward spikes (4) indicate gaps between labels (the web), and the lines between the spikes (5) indicate where labels are located.




















































If you compare the sensor profile printout to a length of your media, the spikes should be the same distance apart as the gaps on the media. If the distances are not the same, the printer may be having difficulty determining where the gaps are located.

**Figure 22 • Sensor Profile (Media Section)**



## Indicator Lights

Table 6 • Status of Printer As Shown by Indicator Lights

 STATUS  PAUSE  DATA  SUPPLIES  NETWORK	<p><i>STATUS light steady green (other lights steady yellow for 2 seconds during printer power-up)</i></p> <p>The printer is ready.</p>
 STATUS  PAUSE  DATA  SUPPLIES  NETWORK	<p><i>PAUSE light steady yellow.</i></p> <p>The printer is paused.</p>
 STATUS  PAUSE  DATA  SUPPLIES  NETWORK	<p><i>STATUS light steady red</i></p> <p><i>SUPPLIES light steady red</i></p> <p>The media supply is out. The printer needs attention and cannot continue without user intervention.</p>
 STATUS  PAUSE  DATA  SUPPLIES  NETWORK	<p><i>STATUS light steady red</i></p> <p><i>SUPPLIES light flashing red</i></p> <p>The ribbon supply is out. The printer needs attention and cannot continue without user intervention.</p>
 STATUS  PAUSE  DATA  SUPPLIES  NETWORK	<p><i>STATUS light steady yellow</i></p> <p><i>SUPPLIES light flashing yellow</i></p> <p>The printer is in Direct Thermal mode, which does not require ribbon; however, ribbon is installed in the printer.</p>
 STATUS  PAUSE  DATA  SUPPLIES  NETWORK	<p><i>STATUS light steady red</i></p> <p><i>PAUSE light steady yellow</i></p> <p>The printhead is open. The printer needs attention and cannot continue without user intervention.</p>
 STATUS  PAUSE  DATA  SUPPLIES  NETWORK	<p><i>STATUS light steady yellow</i></p> <p>The printhead is over temperature.</p> <p> <b>Caution</b> • The printhead may be hot and could cause severe burns. Allow the printhead to cool.</p>
 STATUS  PAUSE  DATA  SUPPLIES  NETWORK	<p><i>STATUS light flashing yellow</i></p> <p>This indicator light flashing indicates one of the following:</p> <ul style="list-style-type: none"> <li>• The printhead is under temperature.</li> <li>• The power supply is over temperature.</li> <li>• The main logic board (MLB) is over temperature.</li> </ul>
 STATUS  PAUSE  DATA  SUPPLIES  NETWORK	<p><i>STATUS light steady red</i></p> <p><i>PAUSE light steady red</i></p> <p><i>DATA light steady red</i></p> <p>The printhead was replaced with one that is not a genuine Zebra™ printhead. Install a genuine Zebra™ printhead to continue.</p>
 STATUS  PAUSE  DATA  SUPPLIES  NETWORK	<p><i>STATUS light flashing red</i></p> <p>The printer is unable to read the dpi setting of the printhead.</p>

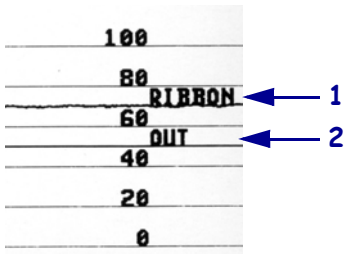
**Table 6 • Status of Printer As Shown by Indicator Lights (Continued)**




Printers with a ZebraNet wired Ethernet option					
					<i>NETWORK light off</i> No Ethernet link is available.
					<i>NETWORK light steady green</i> A 100 Base link was found.
					<i>NETWORK light steady yellow</i> A 10 Base link was found.
					<i>NETWORK light steady red</i> An Ethernet error condition exists. The printer is not connected to your network.
Printers with a ZebraNet wireless option					
					<i>NETWORK light off</i> A radio was found during power-up. The printer is attempting to associate with the network. The light flashes red while the printer associates with the network. The light then flashes yellow while the printer is authenticating with the network.
					<i>NETWORK light steady green</i> The radio is associated with your network and authenticated, and the WLAN signal is strong.
					<i>NETWORK light flashing green</i> WLAN—The radio is associated with your network and authenticated, but the WLAN signal is weak.
					<i>NETWORK light steady red</i> A WLAN error condition exists. The printer is not connected to your network.


## Troubleshooting

### Alerts and Error Messages

Display/ Indicator Lights	Possible Causes	Recommended Solutions
<div style="border: 1px solid black; padding: 5px; text-align: center; width: fit-content; margin: 0 auto;"> <b>HEAD OPEN CLOSE HEAD</b> </div> <p>STATUS light steady red            PAUSE light steady yellow</p>	The printhead is not fully closed.	Close the printhead completely.
	The printhead open sensor is not working properly.	Call a service technician to replace the sensor.
<div style="border: 1px solid black; padding: 5px; text-align: center; width: fit-content; margin: 0 auto;"> <b>MEDIA OUT LOAD MEDIA</b> </div> <p>STATUS light steady red            SUPPLIES light steady red</p>	The media is not loaded or is loaded incorrectly.	Load media correctly. See <a href="#">Load the Media on page 32</a> .
	Misaligned media sensor.	Check the position of the media sensor.
	The printer is set for noncontinuous media, but continuous media is loaded.	<ol style="list-style-type: none"> <li>1. Install the proper media type, or reset printer for the current media type.</li> <li>2. Calibrate the printer. See <a href="#">Calibrate the Ribbon and Media Sensors on page 192</a>.</li> </ol>
<div style="border: 1px solid black; padding: 5px; text-align: center; width: fit-content; margin: 0 auto;"> <b>WARNING RIBBON IN</b> </div> <p>STATUS light steady yellow            SUPPLIES light flashing yellow</p>	Ribbon is loaded, but the printer is set for direct thermal mode.	Ribbon is not required with direct thermal media. If you are using direct thermal media, remove the ribbon. This error message will not affect printing.
		If you are using thermal transfer media, which requires ribbon, set the printer for Thermal Transfer mode. See <a href="#">PRINT METHOD on page 108</a> .
<div style="border: 1px solid black; padding: 5px; text-align: center; width: fit-content; margin: 0 auto;"> <b>PH NOT AUTHENTICATED REPLACE PRINTHEAD</b> </div> <p>STATUS light steady red            PAUSE light steady red            DATA light steady red</p>	The printhead was replaced with one that is not a genuine Zebra™ printhead.	Install a genuine Zebra™ printhead.

Display/ Indicator Lights	Possible Causes	Recommended Solutions
<div style="border: 1px solid black; padding: 5px; text-align: center; margin-bottom: 10px;"> <b>ALERT RIBBON OUT</b> </div> <p>STATUS light steady yellow                  SUPPLIES light flashing yellow</p>	<p>In thermal transfer mode:</p> <ul style="list-style-type: none"> <li>• ribbon is not loaded</li> <li>• ribbon is loaded incorrectly</li> <li>• the ribbon sensor is not detecting ribbon</li> <li>• media is blocking the ribbon sensor</li> </ul>	<ol style="list-style-type: none"> <li>1. Load ribbon correctly. See <a href="#">Load the Ribbon on page 58</a>.</li> <li>2. Calibrate the printer. See <a href="#">Calibrate the Ribbon and Media Sensors on page 192</a>.</li> </ol>
	<p>In thermal transfer mode, the printer did not detect the ribbon even though it is loaded correctly.</p>	<ol style="list-style-type: none"> <li>1. Print a sensor profile (see <a href="#">PRINT INFORMATION on page 120</a>). The ribbon out threshold (2) is likely too high, above the line that indicates where the ribbon is detected (1).</li> </ol>  <ol style="list-style-type: none"> <li>2. Calibrate the printer (see <a href="#">Calibrate the Ribbon and Media Sensors on page 192</a>) or load printer defaults (see <a href="#">LOAD DEFAULTS on page 125</a>).</li> </ol>
	<p>If you are using direct thermal media, the printer is waiting for ribbon to be loaded because it is incorrectly set for thermal transfer mode.</p>	<p>Set the printer for Direct Thermal mode. See <a href="#">PRINT METHOD on page 108</a>.</p>

Display/ Indicator Lights	Possible Causes	Recommended Solutions
<div style="border: 1px solid black; padding: 5px; text-align: center; margin-bottom: 10px;"> <b>PRINT HEAD OVERTEMP PRINTING HALTED</b> </div> <p>STATUS light steady yellow</p>	 <p><b>Caution</b> • The printhead may be hot enough to cause severe burns. Allow the printhead to cool.</p>	
<div style="border: 1px solid black; padding: 5px; text-align: center; margin-bottom: 10px;"> <b>HEAD COLD PRINTING HALTED</b> </div> <div style="border: 1px solid black; padding: 5px; text-align: center; margin-bottom: 10px;"> <b>THERMISTOR REPLACE PRINTHEAD</b> </div> <p>STATUS light steady yellow          The printer shows one of these messages or cycles between them.</p>	 <p><b>Caution</b> • An improperly connected printhead data or power cable can cause these error messages. The printhead may be hot enough to cause severe burns. Allow the printhead to cool.</p>	
<div style="border: 1px solid black; padding: 5px; text-align: center; margin-bottom: 10px;"> <b>HEAD COLD PRINTING HALTED</b> </div> <p>STATUS light flashing yellow</p>	 <p><b>Caution</b> • An improperly connected printhead data or power cable can cause this error message. The printhead may be hot enough to cause severe burns. Allow the printhead to cool.</p>	
	<p>The printhead temperature is approaching its lower operating limit.</p>	<p>Continue printing while the printhead reaches the correct operating temperature. If the error remains, the environment may be too cold for proper printing. Relocate the printer to a warmer area.</p>
	<p>The printhead data cable is not properly connected.</p>	<p>Call a service technician to hook up the printhead properly.</p>
	<p>The printhead has a faulty thermistor.</p>	<p>Call a service technician to replace the printhead.</p>

Display/ Indicator Lights	Possible Causes	Recommended Solutions
<div style="border: 1px solid black; padding: 5px; text-align: center; margin-bottom: 10px;">CUT ERROR</div> <p>STATUS light steady red PAUSE light steady yellow</p>	 <p><b>Caution</b> • The cutter blade is sharp. Do not touch or rub the blade with your fingers.</p>	<p>The cutter blade is in the media path.</p> <p>Turn off the printer power and unplug the printer. Inspect the cutter module for debris and clean as needed following the cleaning instructions in <a href="#">Clean the Cutter Module</a> on page 218.</p>
<div style="border: 1px solid black; padding: 5px; text-align: center;">                 USE USB MEMORY DEVICE?                   YES <span style="float: right;">NO</span> </div>	<p>The USB host port is disabled, and a USB device was plugged into the port.</p>	<p>To use the USB device, select <b>YES</b>, or send the following SGD command to the printer:</p> <pre>! U1 setvar "usb.host.lock_out" "on"</pre>
<div style="border: 1px solid black; padding: 5px; text-align: center; margin-bottom: 5px;">OUT OF MEMORY STORING GRAPHIC</div> <div style="border: 1px solid black; padding: 5px; text-align: center; margin-bottom: 5px;">OUT OF MEMORY STORING FORMAT</div> <div style="border: 1px solid black; padding: 5px; text-align: center; margin-bottom: 5px;">OUT OF MEMORY STORING BITMAP</div> <div style="border: 1px solid black; padding: 5px; text-align: center;">OUT OF MEMORY STORING FONT</div>	<p>There is not enough memory to perform the function specified on the second line of the error message.</p>	<p>Free up some of the printer's memory by adjusting the label format or printer parameters. One way to free up memory is to adjust the print width to the actual width of the label instead of leaving the print width set to the default. See <a href="#">PRINT WIDTH</a> on page 110.</p> <hr/> <p>Ensure that the data is not directed to a device that is not installed or is unavailable.</p> <hr/> <p>If the problem persists, call a service technician.</p>

## Printing Issues

Barcode Does Not Scan		
<i>Issue</i>	<i>Possible Cause</i>	<i>Recommended Solution</i>
The barcode printed on a label does not scan.	The barcode is not within specifications because the print is too light or too dark.	Perform the <i>Optimal Darkness and Speed Test on page 237</i> . Adjust the darkness or print speed settings as necessary.
	There is not enough blank space around the barcode.	Leave at least 1/8 in. (3.2 mm) between the barcode and other printed areas on the label and between the barcode and the edge of the label.
Print Consistently Too Light or Too Dark		
<i>Issue</i>	<i>Possible Cause</i>	<i>Recommended Solution</i>
Printing too light or too dark over the entire label	The media or ribbon is not designed for high-speed operation.	Replace supplies with those recommended for high-speed operation. For more information, see <a href="http://www.zebra.com/supplies">http://www.zebra.com/supplies</a> .
	The printer is set at an incorrect darkness level.	For optimal print quality, set the darkness to the lowest possible setting for your application. You may want to perform the <i>Optimal Darkness and Speed Test on page 237</i> to determine the ideal darkness setting. See <i>DARKNESS on page 105</i> for how to change the darkness setting.
	You are using an incorrect combination of media and ribbon for your application.	<ol style="list-style-type: none"> <li>1. Switch to a different type of media or ribbon to try to find a compatible combination.</li> <li>2. If necessary, consult your authorized Zebra reseller or distributor for information and advice.</li> </ol>
	Incorrect printhead pressure.	Set the printhead pressure to the minimum needed for good print quality. See <i>Adjust the Printhead Pressure and Toggle Position on page 198</i> .
Printing too light or too dark on one side of the label	Uneven printhead pressure.	Adjust the printhead pressure as needed for good print quality. See <i>Adjust the Printhead Pressure and Toggle Position on page 198</i> .



**Poor Print Quality**

<i>Issue</i>	<i>Possible Cause</i>	<i>Recommended Solution</i>
Smudge marks on labels	The media or ribbon is not designed for high-speed operation.	Replace supplies with those recommended for high-speed operation. For more information, see <a href="http://www.zebra.com/supplies">http://www.zebra.com/supplies</a> .
Poor results with thick labels	The print line is not at an optimal position for your media.	Refer to the <i>Maintenance Manual</i> for instructions on how to adjust the print line for thick media.
General print quality issues	The printer is set at the incorrect print speed.	For optimal print quality, set the print speed to the lowest possible setting for your application via control panel, the driver, or the software. You may want to perform the <i>Optimal Darkness and Speed Test on page 237</i> to determine the optimal settings for your printer.  See <i>PRINT SPEED on page 106</i> for how to change the print speed.
	You are using an incorrect combination of labels and ribbon for your application.	<ol style="list-style-type: none"> <li>1. Switch to a different type of media or ribbon to try to find a compatible combination.</li> <li>2. If necessary, consult your authorized Zebra reseller or distributor for information and advice.</li> </ol>
	The printer is set at an incorrect darkness level.	For optimal print quality, set the darkness to the lowest possible setting for your application. You may want to perform the <i>Optimal Darkness and Speed Test on page 237</i> to determine the ideal darkness setting.  See <i>DARKNESS on page 105</i> for how to change the darkness setting.
	The printhead is dirty.	Clean the printhead and platen roller. See <i>Clean the Printhead and Platen Roller on page 214</i> .
	Incorrect or uneven printhead pressure.	Set the printhead pressure to the minimum needed for good print quality. See <i>Adjust the Printhead Pressure and Toggle Position on page 198</i> .
	The label format is scaling a font that is not scalable.	Check the label format for font issues.

**Angled Gray Lines on Blank Labels**

<i>Issue</i>	<i>Possible Cause</i>	<i>Recommended Solution</i>
Fine, angular gray lines on blank labels	Wrinkled ribbon.	See wrinkled ribbon causes and solutions in <i>Ribbon Issues on page 252</i> .



<b>Missing Print</b>		
<i>Issue</i>	<i>Possible Cause</i>	<i>Recommended Solution</i>
Long tracks of missing print on several labels	Print element damaged.	Call a service technician.
	Wrinkled ribbon.	See wrinkled ribbon causes and solutions in <i>Ribbon Issues</i> on page 252.
<b>Loss of Registration</b>		
<i>Issue</i>	<i>Possible Cause</i>	<i>Recommended Solution</i>
Loss of printing registration on labels.	The platen roller is dirty.	Clean the printhead and platen roller. See <i>Clean the Printhead and Platen Roller</i> on page 214.
Excessive vertical drift in top-of-form registration.	Media guides are positioned improperly.	Ensure that the media guides are properly positioned. See <i>Load the Media</i> on page 32.
	The media type is set incorrectly.	Set the printer for the correct media type (gap/notch, continuous, or mark). See <i>MEDIA TYPE</i> on page 107.
	The media is loaded incorrectly.	Load media correctly. See <i>Load the Media</i> on page 32.
Misregistration/skips labels	The printer is not calibrated.	Calibrate the printer. See <i>Calibrate the Ribbon and Media Sensors</i> on page 192.
	Improper label format.	Check your label format and correct it as necessary.
Misregistration and misprint of one to three labels	The platen roller is dirty.	Clean the printhead and platen roller. See <i>Clean the Printhead and Platen Roller</i> on page 214.
	Media does not meet specifications.	Use media that meets specifications. See <i>Media Specifications</i> on page 284.
Vertical drift in top-of-form position	The printer is out of calibration.	Calibrate the printer. See <i>Calibrate the Ribbon and Media Sensors</i> on page 192.
	The platen roller is dirty.	Clean the printhead and platen roller. See <i>Clean the Printhead and Platen Roller</i> on page 214.

Vertical image or label drift	The printer is using non-continuous labels but is configured in continuous mode.	Set the printer for the correct media type (gap/notch, continuous, or mark—see <i>MEDIA TYPE</i> on page 107) and calibrate the printer, if necessary (see <i>Calibrate the Ribbon and Media Sensors</i> on page 192).
	The media sensor is calibrated improperly.	Calibrate the printer. See <i>Calibrate the Ribbon and Media Sensors</i> on page 192.
	The platen roller is dirty.	Clean the printhead and platen roller. See <i>Clean the Printhead and Platen Roller</i> on page 214.
	Improper printhead pressure settings (toggles).	Adjust the printhead pressure to ensure proper functionality. See <i>Adjust the Printhead Pressure and Toggle Position</i> on page 198.
	The media or ribbon is loaded incorrectly.	Ensure that the media and ribbon are loaded correctly. See <i>Load the Ribbon</i> on page 58 and <i>Load the Media</i> on page 32.
	Incompatible media.	You must use media that meets the printer specifications. Ensure that the interlabel gaps or notches are 2 to 4 mm and consistently placed (see <i>Media Specifications</i> on page 284).

## Ribbon Issues

For videos of some common procedures, go to <http://www.zebra.com/zt600-info>.



Broken Ribbon		
<i>Issue</i>	<i>Possible Cause</i>	<i>Recommended Solution</i>
Broken or melted ribbon	Darkness setting too high.	<ol style="list-style-type: none"> <li>1. Reduce the darkness setting. See <a href="#">DARKNESS on page 105</a> for how to change the darkness setting.</li> <li>2. Clean the printhead thoroughly. See <a href="#">Clean the Printhead and Platen Roller on page 214</a>.</li> </ol>
	The ribbon is coated on the wrong side and cannot be used in this printer.	Replace the ribbon with one coated on the correct side. For more information, see <a href="#">Coated Side of Ribbon on page 24</a> .
Wrinkled Ribbon		
<i>Issue</i>	<i>Possible Cause</i>	<i>Recommended Solution</i>
Wrinkled ribbon	Ribbon was loaded incorrectly.	Load the ribbon correctly. See <a href="#">Load the Ribbon on page 58</a> .
	Incorrect burn temperature.	For optimal print quality, set the darkness to the lowest possible setting for your application. You may want to perform the <a href="#">Optimal Darkness and Speed Test on page 237</a> to determine the ideal darkness setting. See <a href="#">DARKNESS on page 105</a> for how to change the darkness setting.
	Incorrect or uneven printhead pressure.	Set the printhead pressure to the minimum needed for good print quality. See <a href="#">Adjust the Printhead Pressure and Toggle Position on page 198</a> .
	Media not feeding properly; “walking” from side to side.	Make sure that media is snug by adjusting the media guide, or call a service technician.
	The printhead or platen roller may be installed incorrectly.	Call a service technician.

<b>Ribbon Detection Issues</b>		
<i>Issue</i>	<i>Possible Cause</i>	<i>Recommended Solution</i>
<p>The printer does not detect when the ribbon runs out.</p> <hr/> <p>In thermal transfer mode, the printer did not detect the ribbon even though it is loaded correctly.</p>	<p>The printer may have been calibrated without ribbon or without the ribbon loaded properly.</p>	<ol style="list-style-type: none"> <li><b>1.</b> Make sure that ribbon is loaded correctly so that it can be detected by the ribbon sensor. Under the printhead, the ribbon should track all the way back, near the printer's firewall. See <a href="#">Load the Ribbon on page 58</a>.</li> <li><b>2.</b> Calibrate the printer. See <a href="#">Calibrate the Ribbon and Media Sensors on page 192</a>.</li> </ol>
<p>The printer indicates that ribbon is out, even though ribbon is loaded correctly.</p>	<p>The printer was not calibrated for the label and ribbon being used.</p>	<p>Calibrate the printer. See <a href="#">Calibrate the Ribbon and Media Sensors on page 192</a>.</p>

## RFID Issues

For more information about RFID, refer to the *RFID Programming Guide 3*. A copy of the manual is available at <http://www.zebra.com/manuals>.

Printer Stops at RFID Inlay		
<i>Issue</i>	<i>Possible Cause</i>	<i>Recommended Solution</i>
The printer stops at the RFID inlay.	The printer calibrated the label length only to the RFID inlay instead of to the interlabel gap.	<ol style="list-style-type: none"> <li>1. Select FEED for the media power up and head close parameters (see <i>POWER UP ACTION</i> on page 123 or <i>HEAD CLOSE ACTION</i> on page 124).</li> <li>2. Manually calibrate the printer (see <i>Calibrate the Ribbon and Media Sensors</i> on page 192).</li> </ol>
Voided Labels		
<i>Issue</i>	<i>Possible Cause</i>	<i>Recommended Solution</i>
Low yields. Too many RFID tags per roll are voided.	The RFID labels are not within specifications for the printer, which means that the transponder is not in an area that can be programmed consistently.	Make sure that the labels meet transponder placement specifications for your printer. See <a href="http://www.zebra.com/transponders">http://www.zebra.com/transponders</a> for transponder placement information. For more information, refer to the <i>RFID Programming Guide 3</i> , or contact an authorized Zebra RFID reseller.
	Incorrect read and write power levels.	Change the RFID read and write power levels. For instructions, refer to the <i>RFID Programming Guide 3</i> .
	Radio frequency (RF) interference from another RF source.	Do one or more of the following as necessary: <ul style="list-style-type: none"> <li>• Move the printer away from fixed RFID readers.</li> <li>• Make sure that the media door is closed at all times during RFID programming.</li> </ul>
	The printer is using outdated printer firmware and reader firmware versions.	Go to <a href="http://www.zebra.com/firmware">http://www.zebra.com/firmware</a> for updated firmware.

Voided Labels (Continued)		
<i>Issue</i>	<i>Possible Cause</i>	<i>Recommended Solution</i>
The printer voids every label.	The printer is not calibrated for the media being used.	Manually calibrate the printer (see <i>Calibrate the Ribbon and Media Sensors</i> on page 192).
	You are using an RFID label with a tag type that is not supported by your printer.	These printers support only Gen 2 RFID labels. For more information, refer to the <i>RFID Programming Guide 3</i> , or contact an authorized Zebra RFID reseller.
	The printer is unable to communicate with the RFID reader.	<ol style="list-style-type: none"> <li>1. Turn off (O) the printer.</li> <li>2. Wait 10 seconds.</li> <li>3. Turn on (I) the printer.</li> <li>4. If the problem persists, you may have a bad RFID reader or a loose connection between the RFID reader and the printer. Contact Technical Support or an authorized Zebra RFID service technician for assistance.</li> </ol>
	Radio frequency (RF) interference from another RF source.	Do one or more of the following as necessary: <ul style="list-style-type: none"> <li>• Move the printer away from fixed RFID readers or other RF sources.</li> <li>• Make sure that the media door is closed at all times during RFID programming.</li> </ul>
	The settings are incorrect in your label designer software.	The software settings override the printer settings. Make sure that the software and printer settings match.
	You are using an incorrect programming position, particularly if the tags being used are within printer specifications.	Do one or more of the following as necessary: <ul style="list-style-type: none"> <li>• Check the RFID programming position or the program position setting in your label designer software. If the position is incorrect, change the setting.</li> <li>• Restore the RFID programming position back to the default value.</li> </ul> For more information, refer to the <i>RFID Programming Guide 3</i> . For transponder placement details, go to <a href="http://www.zebra.com/transponders">http://www.zebra.com/transponders</a> .
	You are sending RFID ZPL or SGD commands that are incorrect.	Check your label formats. For more information, refer to the <i>RFID Programming Guide 3</i> .

<b>Other RFID Issues</b>		
<i>Issue</i>	<i>Possible Cause</i>	<i>Recommended Solution</i>
<p>RFID parameters do not appear in Setup mode, and RFID information does not appear on the printer configuration label.</p> <p>The printer does not void RFID labels that are not programmed correctly.</p>	<p>The printer was powered off (O) and then back on (I) too quickly for the RFID reader to initialize properly.</p>	<p>Wait at least 10 seconds after turning the printer power off before turning it back on.</p> <ol style="list-style-type: none"> <li>1. Turn off (O) the printer.</li> <li>2. Wait 10 seconds.</li> <li>3. Turn on (I) the printer.</li> <li>4. Check for the RFID parameters in Setup mode or for RFID information on a new configuration label.</li> </ol>
	<p>An incorrect version of printer or reader firmware was loaded on the printer.</p>	<ol style="list-style-type: none"> <li>1. Verify that the correct firmware version is loaded on your printer. For more information, refer to the <i>RFID Programming Guide 3</i>.</li> <li>2. Download the correct printer or reader firmware if necessary.</li> <li>3. If the problem persists, contact Technical Support.</li> </ol>
	<p>The printer is unable to communicate with the RFID subsystem.</p>	<ol style="list-style-type: none"> <li>1. Turn off (O) the printer.</li> <li>2. Wait 10 seconds.</li> <li>3. Turn on (I) the printer.</li> <li>4. If the problem persists, you may have a bad RFID reader or a loose connection between the RFID reader and the printer. Contact Technical Support or an authorized service technician for assistance.</li> </ol>
<p>The DATA light flashes indefinitely after you attempt to download printer or reader firmware.</p>	<p>The download was not successful. For best results, cycle power on the printer before downloading any firmware.</p>	<ol style="list-style-type: none"> <li>1. Turn off (O) the printer.</li> <li>2. Wait 10 seconds.</li> <li>3. Turn on (I) the printer.</li> <li>4. Attempt to download the firmware again.</li> <li>5. If the problem persists, contact Technical Support.</li> </ol>




## Communications Issues

<b>Label Formats Not Recognized</b>		
<i>Issue</i>	<i>Possible Cause</i>	<i>Recommended Solution</i>
<b>A label format was sent to the printer but was not recognized. The DATA light does not flash.</b>	The communication parameters are incorrect.	Check the printer driver or software communications settings (if applicable) for your connection. You may wish to reinstall the printer driver following the instructions in <a href="#">Install the Printer Driver and Connect the Printer to the Computer on page 62</a> .
		If you are using serial communication, check the serial port settings. See <a href="#">PORTS on page 104</a> .
		If you are using serial communication, make sure that you are using a null modem cable or a null modem adapter.
		Check the printer's handshake protocol setting. The setting used must match the one being used by the host computer. See <a href="#">HOST HANDSHAKE on page 184</a> .
<b>A label format was sent to the printer but was not recognized. The DATA light flashes but no printing occurs.</b>	The prefix and delimiter characters set in the printer do not match the ones in the label format.	Verify the prefix and delimiter characters. See <a href="#">COMMAND CHAR on page 172</a> and <a href="#">DELIMITER CHAR on page 174</a> .
	Incorrect data is being sent to the printer.	Check the communication settings on the computer. Ensure that they match the printer settings.  If the problem continues, check the label format.
<b>Labels Stop Printing Correctly</b>		
<i>Issue</i>	<i>Possible Cause</i>	<i>Recommended Solution</i>
<b>A label format was sent to the printer. Several labels print, then the printer skips, misplaces, misses, or distorts the image on the label.</b>	The serial communication settings are incorrect.	Ensure that the flow control settings match.
		Check the communication cable length. See <a href="#">General Specifications on page 276</a> for requirements.
		Check the printer driver or software communications settings (if applicable).

## Miscellaneous Issues

### Issues with the Display

<i>Issue</i>	<i>Possible Cause</i>	<i>Recommended Solution</i>
The control panel display shows a language that I cannot read	The language parameter was changed through the control panel or a firmware command.	<ol style="list-style-type: none"> <li>1. On the control panel display, scroll to LANGUAGE Menu. </li> <li>2. Press OK to access the items in this menu.</li> <li>3. Use the UP ARROW or DOWN ARROW to scroll through the language selections under the first menu option. The selections for this parameter are displayed in the actual languages to make it easier for you to find one that you are able to read.</li> <li>4. Select the language that you want to display.</li> </ol>
The display is missing characters or parts of characters	The display may need replacing.	Call a service technician.

### The USB Host Port Is Not Acknowledging a USB Device

<i>Issue</i>	<i>Possible Cause</i>	<i>Recommended Solution</i>
The printer is not acknowledging a USB device or is not reading the files on a USB device that is plugged into the USB host port.	The printer currently supports USB drives only up to 1 TB in size.	Use a USB drive that is 1 TB or smaller.
	The USB device may require its own external power.	If your USB device requires external power, make sure that it is plugged into a working power supply.

### Printer Parameters Are Not Set As Expected

<i>Issue</i>	<i>Possible Cause</i>	<i>Recommended Solution</i>
Changes in parameter settings did not take effect.  OR Some parameters changed unexpectedly.	A firmware setting or command prevented the ability to change the parameter.	Check your label formats or the settings of the software that you use to send formats to the printer.
	A command in a label format changed the parameter back to the previous setting.	If necessary, refer to the <i>Programming Guide for ZPL, ZBI, Set-Get-Do, Mirror, and WML</i> or call a service technician.

<b>IP Address Changing</b>		
<i>Issue</i>	<i>Possible Cause</i>	<i>Recommended Solution</i>
<p>My printer reassigns a new IP address to the print server after the printer has been off for a while.</p>	<p>The settings for your network are causing the network to reassign a new IP address.</p>	<p>If the printer changing IP addresses causes issues for you, follow these steps to assign it a static IP address:</p> <ol style="list-style-type: none"> <li>1. Find out what values need to be assigned to the IP address, subnet mask, and gateway for your print server (wired, wireless, or both).</li> <li>2. Change the appropriate IP protocol value to PERMANENT. See <a href="#">WIRED IP PROTOCOL on page 146</a> or <a href="#">WLAN IP PROTOCOL on page 151</a>.</li> <li>3. Change the values for the IP address, subnet mask, and gateway for the appropriate print server to what you want them to remain.</li> </ol> <p>Wired:  <a href="#">WIRED IP ADDRESS on page 143</a>  <a href="#">WIRED SUBNET MASK on page 144</a>  <a href="#">WIRED GATEWAY on page 145</a></p> <p>Wireless:  <a href="#">WLAN IP ADDRESS on page 148</a>  <a href="#">WLAN SUBNET MASK on page 149</a>  <a href="#">WLAN GATEWAY on page 150</a></p> <ol style="list-style-type: none"> <li>4. Reset the network using <a href="#">RESET NETWORK on page 158</a> to save the changes.</li> </ol>

**Calibration Issues**

<i>Issue</i>	<i>Possible Cause</i>	<i>Recommended Solution</i>
Auto Calibrate failed.	The media or ribbon is loaded incorrectly.	Ensure that the media and ribbon are loaded correctly. See <a href="#">Load the Ribbon on page 58</a> and <a href="#">Load the Media on page 32</a> .
	The sensors could not detect the media or ribbon.	Calibrate the printer manually. See <a href="#">Calibrate the Ribbon and Media Sensors on page 192</a> .
	The sensors are dirty or positioned improperly.	Ensure that the sensors are clean and properly positioned.
	The media type is set incorrectly.	Set the printer for the correct media type (gap/notch, continuous, or mark). See <a href="#">MEDIA TYPE on page 107</a> .
Non-continuous labels are being treated as continuous labels.	The printer was not calibrated for the media being used.	Calibrate the printer. See <a href="#">Calibrate the Ribbon and Media Sensors on page 192</a> .
	The printer is configured for continuous media.	Set the printer for the correct media type (gap/notch, continuous, or mark). See <a href="#">MEDIA TYPE on page 107</a> .

**Printer Locks Up**

<i>Issue</i>	<i>Possible Cause</i>	<i>Recommended Solution</i>
All indicator lights are on, nothing is on the display, and the printer locks up.	Internal electronic or firmware failure.	Power cycle the printer. If that does not solve the issue, call a service technician.
The printer locks up while booting up.	Main logic board failure.	

# Using the USB Host Ports and the NFC Capabilities

This section will help you to learn how to use the USB host ports on your Zebra printer and how to use the printer's Near Field Communication (NFC) capability. The information is presented in the form of exercises with some SGD commands listed for advanced users.



**Note** • You are not required to complete these exercises, which may use several tags during printing. The information is included to teach you how the USB host ports and NFC capabilities work.

## Contents

Items Required for the Exercises . . . . .	262
Files for Completing the Exercises . . . . .	262
USB Host . . . . .	265
Exercise 1: Copy Files to a USB Flash Drive and Perform USB Mirror . . . . .	266
Exercise 2: Print a Label Format from a USB Flash Drive . . . . .	268
Exercise 3: Copy Files to/from a USB Flash Drive . . . . .	269
Exercise 4: Enter Data for a Stored File with a USB Keyboard and Print a Label . . .	271
Near Field Communication (NFC) . . . . .	272
Exercise 5: Enter Data for a Stored File with a Smart Device and Print a Label . . . .	273

## Items Required for the Exercises

To perform the exercises in this document, you will need the following:

- a USB Flash drive (sometimes called a “thumb drive” or “memory stick”) that is up to 1 Terabyte (1 TB). The printer will not recognize drives larger than 1 TB.
- a USB keyboard
- the various files attached below
- the free Zebra Utilities app for your smart phone (search for Zebra Tech in the Google Play store)

## Files for Completing the Exercises

Most of the actual files that you need to complete the exercises in these section are attached here. Copy these files to your computer before you begin the exercises. Where possible, the contents of the files are shown. The contents of files that contain coded content, which cannot be viewed as text or as an image, are not included.

### File 1: ZEBRA.BMP



### File 2: SAMPLELABEL.TXT

```
^XA  
^F0100,75^XGE:zebra.bmp^FS  
^F0100,475^A0N,50,50^FDMirror from USB  
Completed^FS  
^XZ
```

This simple label format prints the Zebra logo and a line of text at the end of the mirroring exercise.

**File 3: LOGO.ZPL**

**File 4: USBSTOREDFILE.ZPL**

```

CT~CD,~CC^~CT~
^XA~TA012~JSN^LT0^LH0,0^JMA^PR4,4~SD15^LRN^CI0^XZ
~DG000.GRF,07680,024,,[image data]
^XA
^LS0
^SL0
^BY3,3,91^FT35,250^BCN,,Y,N^FC%,{,#{^FD%d/%m/%Y^FS
^FT608,325^XG000.GRF,1,1^FS
^FT26,75^A0N,28,28^FH\^FDThis label was printed from a
format stored^FS
^FT26,125^A0N,28,28^FH\^FDOn a USB Flash Memory drive. ^FS
^BY3,3,90^FT33,425^BCN,,Y,N
^FD>:Zebra Technologies^FS
^PQ1,0,1,Y^XZ
^XA^ID000.GRF^FS^XZ
  
```

This label format prints an image and text. This file will be stored on the USB memory device at the root level so that it can be printed.

**File 5: VLS\_BONKGRF.ZPL**

**File 6: VLS\_EIFFEL.ZPL**

**File 7: KEYBOARDINPUT.ZPL**

```

^XA
^CI28
^BY2,3,91^FT38,184^BCN,,Y,N^FC%,{,#{^FD%d/%m/%Y^FS
^F0385,75^XGE:zebra.bmp^FS
^FT40,70^A0N,28,28^FH\^FDThis label was printed using a
keyboard input. ^FS
^FT35,260^A0N,28,28^FH\^FDThis label was printed by:^FS
^FT33,319^A0N,28,28^FN1"Enter Name"^FS
^XZ
  
```

This label format, used for the USB keyboard input exercise, does the following:

- creates a barcode with the current date, based on your Real-Time Clock (RTC) setting
- prints the Zebra logo graphic
- prints fixed text
- ^FN prompts you to enter your name, and the printer prints what you entered

### File 8: SMARTDEVINPUT.ZPL

```
^XA
^CI28
^BY2,3,91^FT38,184^BCN,,Y,N^FC%,{,#{^FD%d/%m/%Y^FS
^F0385,75^XGE:zebra.bmp^FS
^FT40,70^A0N,28,28^FH\^FDThis label was printed using a
smart device input. ^FS
^FT35,260^A0N,28,28^FH\^FDThis label was printed by:^FS
^FT33,319^A0N,28,28^FN1"Enter Name"^FS^XZ
```

The same label format as the previous label, only with different text printing. This format is used for the smart device input exercise.

### File 9: Firmware File

You may want to download a firmware file for your printer and copy it to your computer for use during the exercises. You may omit doing this if you wish.

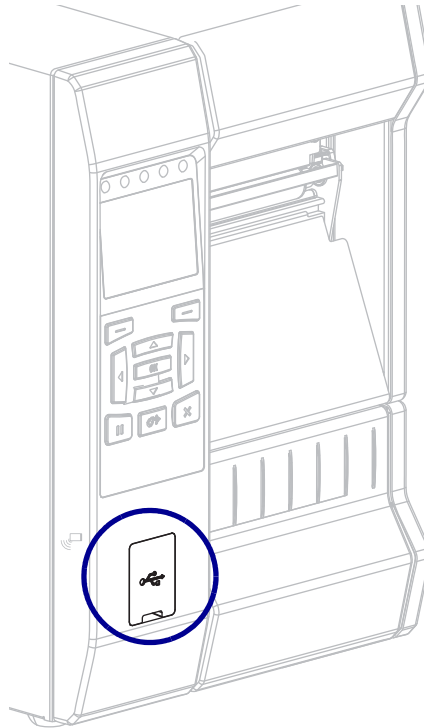
You can download the latest firmware file from <http://www.zebra.com/firmware>.



## USB Host

The USB host ports allow you to connect USB devices—such as a keyboard, scanner, or USB Flash drive—to the printer. The exercises in this section will teach you how to perform USB mirror, how to transfer files to and from the printer, and how to provide information for which you are prompted and then print a label using that information.

**Figure 23 • USB Host Port Location**

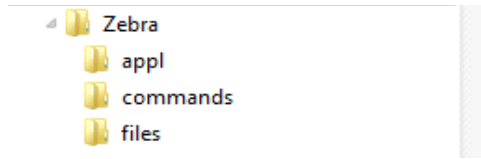


**Important** • When using the USB host ports, files should be named only with 1 to 16 alphanumeric characters (A, a, B, b, C, c, ..., 0, 1, 2, 3, ...). Do not use Asian characters, Cyrillic characters, or accented characters in file names.

Some functions may not work properly if there are underscores in a file name. Use periods instead.

## Exercise 1: Copy Files to a USB Flash Drive and Perform USB Mirror

1. On your USB Flash Drive, create the following:



- a folder called **Zebra**
  - in that folder, three subfolders:
    - **appl**
    - **commands**
    - **files**
2. In the **/appl** folder, place a copy of the latest firmware for your printer.



**Note** • Some functions may not work properly if there are underscores in a file name. Use periods instead.

3. In the **/files** folder, place the following file:
  - **File 1: ZEBRA.BMP**
4. In the **/commands** folder, place the following files:
  - **File 2: SAMPLELABEL.TXT**
  - **File 3: LOGO.ZPL**
5. Insert the USB Flash drive into a USB host port on the front of your printer.
6. Observe the control panel and wait.  
The following should happen:
  - If the firmware on the USB Flash drive is different than what is on the printer, the firmware downloads to the printer. The printer then restarts and prints a printer configuration label. (If there is no firmware on the USB Flash drive or if the firmware version is the same, the printer skips this action.)
  - The printer downloads the files in the **/files** folder and briefly shows the names of the files that are downloading on the display.
  - The printer executes any files in the **/commands** folder.
  - The printer restarts and then displays the message **MIRROR PROCESSING FINISHED.**
7. Remove the USB Flash drive from the printer.

## Exercise 1: Advanced User Information

See the *Zebra® Programming Guide* for more information about these commands.

### Enable/disable mirroring:

```
! U1 setvar "usb.mirror.enable" "value"
```

Values: "on" or "off"

### Enable/disable automatic mirroring that occurs when a USB Flash drive is inserted into the USB host port:

```
! U1 setvar "usb.mirror.auto" "value"
```

Values: "on" or "off"

### Specify the number of times that the mirror operation will be repeated if it fails:

```
! U1 setvar "usb.mirror.error_retry" "value"
```

Values: 0 to 65535

### Change the path to the location on the USB device from which mirror files are retrieved:

```
! U1 setvar "usb.mirror.appl_path" "new_path"
```

Default: "zebra/appl"

### Change the path to the location on the printer from which mirror files are retrieved:

```
! U1 setvar "usb.mirror.path" "path"
```

Default: "zebra"



### Enable/disable the ability to use the USB port:

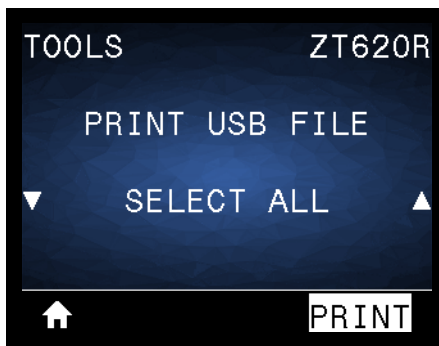
```
! U1 setvar "usb.host.lock_out" "value"
```

Values: "on" or "off"

## Exercise 2: Print a Label Format from a USB Flash Drive

The Print USB File option allows you to print files from a USB mass storage device, such as a USB Flash drive. Only printable files (.ZPL and .XML) may be printed from the USB mass storage device, and the files must be located at the root level, not in a directory.

1. Copy the following files to your USB Flash drive:
  - File 4: [USBSTOREDFILE.ZPL](#)
  - File 5: [VLS\\_BONKGRF.ZPL](#)
  - File 6: [VLS\\_EIFFEL.ZPL](#)
2. Insert the USB Flash drive into a USB host port on the front of your printer.
3. On the printer's control panel, press the LEFT SELECT button (below the home icon ) to access the printer's Home Menu.
4. Use the ARROW buttons to scroll to the Tools menu. 
5. Press OK.
6. Use the ARROW buttons to scroll to **PRINT USB FILE**.



The printer loads any executable files and processes them. The available files are listed. **SELECT ALL** is available to print all files on the USB Flash drive.

7. If necessary, use the up and down arrow to select [USBSTOREDFILE.zpl](#).
8. Press the RIGHT SELECT button to select **PRINT**.  
The label prints.

### Exercise 3: Copy Files to/from a USB Flash Drive

The Copy USB File option allows you to copy files from a USB mass storage device to the printer's Flash memory **E:** drive.

1. Copy the following files to the root directory of your USB Flash drive. Do not put these files into a subfolder.
  - [File 7: KEYBOARDINPUT.ZPL](#)
  - [File 8: SMARTDEVINPUT.ZPL](#)
2. Insert the USB Flash drive into a USB host port on the front of your printer.
3. On the printer's control panel, press the LEFT SELECT button to access the printer's Home Menu.
4. Use the ARROW buttons to scroll to the Tools menu. 
5. Press OK.
6. Use the ARROW buttons to scroll to **COPY USB FILE TO E:**.



The printer loads any executable files and processes them. The available files are listed. **SELECT ALL** is available to copy all of the available files from the USB Flash drive.

7. If necessary, use the UP or DOWN ARROW to select the file [STOREFMT.ZPL](#).
8. Press the RIGHT SELECT button to select **STORE**.  
The printer stores the file in **E:** memory. All file names are converted to uppercase.
9. Repeat this process to select the file [STOREFMTM1.ZPL](#).
10. Press the RIGHT SELECT button to select **STORE**.  
The printer stores the file in **E:** memory.

11. Remove the USB Flash drive from the USB host port.


NOTE: You can now copy these files from the printer to a USB Flash drive using the user menu item **STORE E: FILE TO USB**.

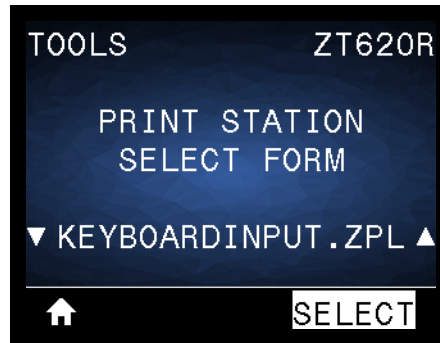


The option **SELECT ALL** is available to store all of the available files from the printer to the USB Flash drive. Any .ZPL file that is copied will be post-processed such that the contents of the file will be suitable to be sent to a printer for normal execution.

## Exercise 4: Enter Data for a Stored File with a USB Keyboard and Print a Label

The Print Station feature allows you to use a USB Human Interface Device (HID), such as a keyboard or a barcode scanner, to enter ^FN field data into a \*.ZPL template file.

1. After performing the previous exercise, plug a USB keyboard into a USB host port.
2. Use the ARROW buttons to scroll to the Tools menu. 
3. Press OK.
4. Use the ARROW buttons to scroll to **PRINT STATION**.



The printer loads any executable files and processes them. The available files are listed.

5. If necessary, use the UP or DOWN ARROW to select the file **KEYBOARDINPUT.ZPL**.
6. Press the RIGHT SELECT button to choose **SELECT**.  
The printer accesses the file and prompts you for the information in the ^FN fields in the file. In this case, it prompts you for your name.
7. Type your name, and then press <ENTER>.  
The printer prompts for the number of labels to print.
8. Specify the desired quantity of labels, and then press <ENTER> again.  
The specified number of labels is printed, with your name in the appropriate fields.

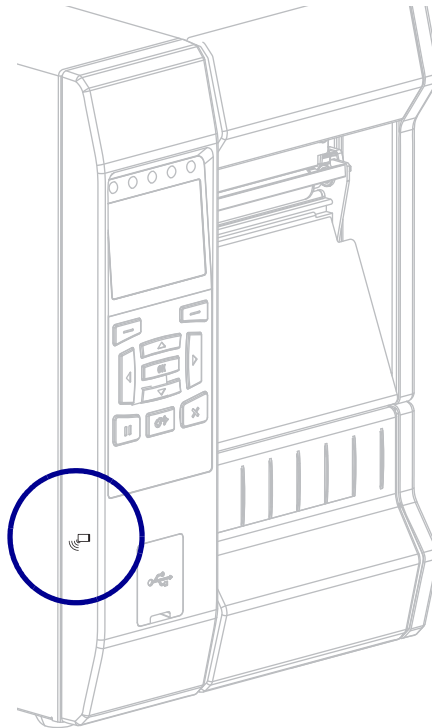
## Near Field Communication (NFC)

The Zebra Print Touch™ feature allows you to touch an Android™-based, NFC-enabled device (such as a smart phone or tablet) to the printer's NFC logo (Figure 24) to pair the device to the printer. This capability allows you to use your device to provide information for which you are prompted and then print a label using that information.



**Important** • Some devices may not support NFC communication with the printer until you alter their settings. If you encounter difficulties, consult your service provider or your smart device manufacturer for more information.

Figure 24 • NFC Logo Location





## Exercise 5: Enter Data for a Stored File with a Smart Device and Print a Label



**Note** • The steps in this exercise may vary somewhat based on your smart device, on your service provider, or on whether you already have the free Zebra Utilities app installed on your smart device.

Refer to the *Zebra Bluetooth User Guide* for specific instructions for configuring your printer to use a Bluetooth interface. A copy of this manual is available at <http://www.zebra.com/manuals>.

1. If you do not have the Zebra Utilities app installed on your device, go to the app store for your device, search for the Zebra Utilities app, and install it.
2. Pair your smart device with the printer by holding the smart device next to the NFC icon on the printer.
  - a. If necessary, access the Bluetooth information about your printer using your smart device. For instructions, refer to the manufacturer's documentation for your device.
  - b. If necessary, select the Zebra printer's serial number to pair it with the device.
  - c. After your smart device has been detected by the printer, the printer may prompt you to accept or reject the pairing. If necessary, press the LEFT SELECT button on the printer to select **ACCEPT**. Some smart devices will pair with the printer without this prompt.



The printer and your device are paired.

3. Start the Zebra Utilities app on your device.  
The Zebra Utilities main menu displays.



4. Perform these steps if you have an Apple device:
  - a. Tap the Settings icon in the lower-right corner.
  - b. Change the setting for **Get Labels From Printer** to **ON**.
  - c. Tap Done.
5. Tap Files.  
The smart device gets data from the printer and displays it.



**Note** • This retrieval process may take a minute or more to complete.

6. Scroll through the formats shown and select **E : SMARTDEVINPUT.ZPL**.  
Based on the **^FN** field in the label format, the smart device prompts you for your name.
7. Enter your name at the prompt.
8. Change the quantity of labels to print, if desired.
9. Tap **PRINT** to print the label.

# Specifications

This section lists general printer specifications, printing specifications, ribbon specifications, and media specifications.

## Contents

General Specifications . . . . .	276
Power Specifications . . . . .	279
Power Cord Specifications . . . . .	280
Wireless Specifications . . . . .	281
Printing Specifications . . . . .	282
Media Specifications . . . . .	284
Ribbon Specifications . . . . .	286

## General Specifications

		ZT610™	ZT620™
Height		15.58 in. (395.68 mm)	15.58 in. (395.68 mm)
Width		10.56 in. (268.2 mm)	13.44 in. (341.45 mm)
Depth		19.88 in. (505.0 mm)	19.88 in. (505 mm)
Weight		50 lb (22.7 kg)	57.4 lb (26 kg)
Temperature	Operating	Thermal Transfer: 40° to 105°F (5° to 40°C) Direct Thermal: 32° to 105°F (0° to 40°C)	
	Storage	-22° to 140°F (-30° to 60°C)	
Relative Humidity	Operating	20% to 85%, non-condensing	
	Storage	20% to 85%, non-condensing	
Communication Interface Specifications	Standard	<p><b>Bluetooth® version 4.0</b>                      Limitations and Requirements                      Many mobile devices can communicate with the printer within a 30-foot radius of the printer.</p> <p>Connections and Configuration                      Refer to the <i>Zebra Bluetooth User Guide</i> for specific instructions for configuring your printer to use a Bluetooth interface. A copy of this manual is available at <a href="http://www.zebra.com/manuals">http://www.zebra.com/manuals</a>.</p>	
		<p><b>Two USB host ports</b>                      See <i>Using the USB Hosts Port and the NFC Capabilities on page 261</i> for more information.</p> <p>Limitations and Requirements                      You can only plug one device into each of the printer's two USB host ports. You cannot use a third device by plugging it into a USB port on one of the devices, nor can you use an adapter to split a USB host port on the printer to accept more than one device at a time.</p> <p>Connections and Configuration                      No additional configuration is necessary.</p>	
(Continued on next page.)			

		ZT610™	ZT620™
Communication Interfaces (continued)	Standard (continued)	<p><b>Zebra PrintTouch/Near Field Communication (NFC)</b> See <i>Using the USB Hosts Port and the NFC Capabilities on page 261</i> for more information.</p> <p>Limitations and Requirements</p> <ul style="list-style-type: none"> <li>NFC communication must be initiated by touching your device to the appropriate location on the printer.</li> </ul> <p>Connections and Configuration</p> <ul style="list-style-type: none"> <li>Some devices may not support NFC communication with the printer until you alter their settings.</li> </ul> <hr/> <p><b>USB 2.0 Data Interface</b></p> <p>Limitations and Requirements</p> <ul style="list-style-type: none"> <li>• Maximum cable length of 16.4 ft (5 m).</li> </ul> <p>Connections and Configuration</p> <ul style="list-style-type: none"> <li>No additional configuration is necessary.</li> </ul> <hr/> <p><b>Wired Gigabit Internal Ethernet Print Server</b></p> <p>Limitations and Requirements</p> <ul style="list-style-type: none"> <li>• The printer must be configured to use your LAN.</li> <li>• A second wired print server can be installed in the bottom option slot.</li> </ul> <p>Connections and Configuration</p> <p>Refer to the <i>ZebraNet Wired and Wireless Print Servers User Guide</i> for configuration instructions. A copy of this manual is available at <a href="http://www.zebra.com/manuals">http://www.zebra.com/manuals</a>.</p> <hr/> <p><b>RS-232/C Serial Data Interface</b></p> <ul style="list-style-type: none"> <li>• 2400 to 115000 baud</li> <li>• parity, bits/character</li> <li>• 7 or 8 data bit</li> <li>• XON-XOFF, RTS/CTS, or DTR/DSR handshake protocol required</li> <li>• 750mA at 5 V from pins 1 and 9</li> </ul> <p>Limitations and Requirements</p> <ul style="list-style-type: none"> <li>• You must use a null-modem cable to connect to the printer or a null-modem adapter if using a standard modem cable.</li> <li>• Maximum cable length of 50 ft (15.24 m).</li> <li>• You may need to change printer parameters to match the host computer.</li> </ul> <p>Connections and Configuration</p> <p>The baud rate, number of data and stop bits, the parity, and the XON/XOFF or DTR control must match those of the host computer.</p>	

		ZT610™	ZT620™
Communication Interfaces (continued)	Optional	<b>Wireless print server</b> See <i>Wireless Specifications</i> on page 281 for more information. Limitations and Requirements <ul style="list-style-type: none"> <li>• Can print to the printer from any computer on your Wireless Local Area Network (WLAN).</li> <li>• Can communicate with the printer through the printer's web pages.</li> <li>• The printer must be configured to use your WLAN.</li> <li>• Can be installed only in the top option slot.</li> </ul> Configuration Refer to the <i>ZebraNet Wired and Wireless Print Servers User Guide</i> for configuration instructions. A copy of this manual is available at <a href="http://www.zebra.com/manuals">http://www.zebra.com/manuals</a> .	
		<b>IEEE 1284 Bidirectional Parallel data interface</b> Limitations and Requirements <ul style="list-style-type: none"> <li>• Maximum cable length of 10 ft (3 m).</li> <li>• Recommended cable length of 6 ft (1.83 m).</li> <li>• No printer parameter changes required to match the host computer.</li> <li>• Can be installed in either the top or bottom option slot.</li> </ul> Connections and Configuration No additional configuration is necessary.	
		<b>Applicator interface</b> with DB15F connector	
		<b>External ZebraNet 10/100 Print Server</b> Requires the parallel data interface option	
Memory		1 Gigabyte DRAM (32 MB user available) 2 Gigabyte Flash (512 MB user available on-board Flash)	

## Power Specifications

	ZT610™	ZT620™
Electrical	100–240 VAC, 50-60 Hz	
Power consumption	120 VAC, 60 Hz	
Inrush Current (Irms)	37.0	37.0
Idle Power (Watts)	7.8	8.2
Idle Power (VA)	13.9	17.5
Sleep Power (Watts)	3.0	3.1
Sleep Power (VA)	10.6	14.3
Print Power (Watts)	122.0	128.0
Print Power (VA)	130.0	156.0
Power consumption	230 VAC, 50 Hz	
Inrush Current (Irms)	49.0	49.0
Idle Power (Watts)	7.5	7.9
Idle Power (VA)	26.9	35.6
Sleep Power (Watts)	3.2	3.2
Sleep Power (VA)	23.2	31.6
Print Power (Watts)	120.0	127.0
Print Power (VA)	134.0	156.0

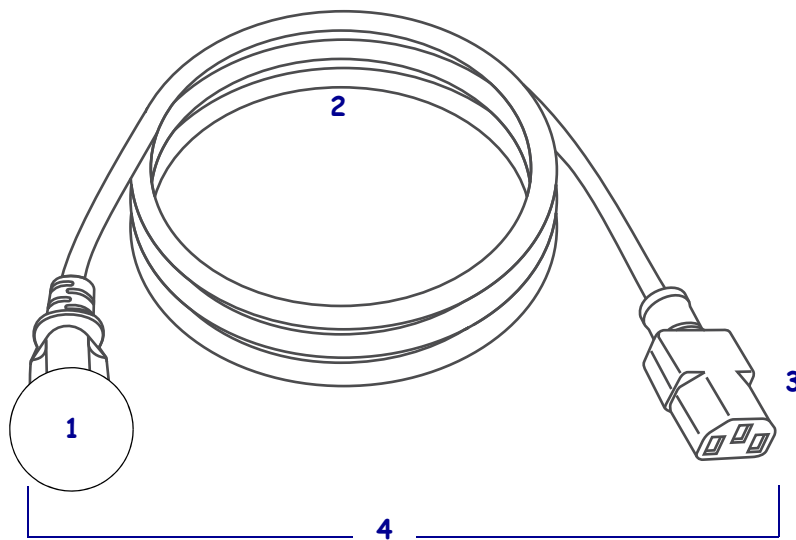
## Power Cord Specifications



**Caution** • For personnel and equipment safety, always use an approved three-conductor power cord specific to the region or country intended for installation. This cord must use an IEC 320 female connector and the appropriate region-specific, three-conductor grounded plug configuration.

Depending on how your printer was ordered, a power cord may or may not be included. If one is not included or if the one included is not suitable for your requirements, see [Figure 25](#) for specifications.

**Figure 25 • Power Cord Specifications**



<b>1</b>	AC power plug for your country—This should bear the certification mark of at least one of the known international safety organizations ( <a href="#">Figure 26</a> ). The chassis ground (earth) <b>must</b> be connected to ensure safety and reduce electromagnetic interference.
<b>2</b>	3-conductor HAR cable or other cable approved for your country.
<b>3</b>	IEC 320 connector—This should bear the certification mark of at least one of the known international safety organizations ( <a href="#">Figure 26</a> ).
<b>4</b>	Length ≤ 9.8 ft. (3 m). Rating 10 Amp, 250 VAC.

**Figure 26 • International Safety Organization Certification Symbols**



**ULINE**

1-800-295-5510

0720 IH-7378VND



## Wireless Specifications

Antenna Information	
<ul style="list-style-type: none"> <li>Type = Patch</li> <li>Gain = 3.66dBi @ 2.4GHz</li> <li>Gain = 3.19dBi @ 5GHz</li> <li>Impedance = 50 ohms</li> </ul>	
WLAN Specifications	
<p>802.11 b</p> <ul style="list-style-type: none"> <li>2.4 GHz</li> <li>DSSS (DBPSK, DQPSK and CCK)</li> <li>RF power 17.77 dBm (EIRP)</li> </ul> <p>802.11 g</p> <ul style="list-style-type: none"> <li>2.4 GHz</li> <li>OFDM</li> </ul> <p>(16-QAM and 64-QAM with BPSK and QPSK)</p> <ul style="list-style-type: none"> <li>RF power 18.61 dBm (EIRP)</li> </ul> <p>802.11 n</p> <ul style="list-style-type: none"> <li>2.4 GHz</li> <li>OFDM</li> </ul> <p>(16-QAM and 64-QAM with BPSK and QPSK)</p> <ul style="list-style-type: none"> <li>RF power 18.62 dBm (EIRP)</li> </ul> <p>802.11 a/n</p> <ul style="list-style-type: none"> <li>5.15-5.25 GHz, 5.25-5.35 GHz, 5.47-5.725 GHz</li> <li>OFDM (16-QAM and 64-QAM with BPSK and QPSK)</li> <li>RF power 17.89 dBm (EIRP)</li> </ul> <p>802.11 ac</p> <ul style="list-style-type: none"> <li>5.15-5.25 GHz, 5.25-5.35 GHz, 5.47-5.725 GHz</li> <li>OFDM (16-QAM and 64-QAM with BPSK and QPSK)</li> <li>RF power 13.39 dBm (EIRP)</li> </ul>	<p>Bluetooth 4.1 + Low Energy (LE)</p> <ul style="list-style-type: none"> <li>2.4 GHz</li> <li>FHSS(BDR/EDR), GFSK (Bluetooth Low Energy)</li> <li>RF power 9.22 dBm (EIRP)</li> </ul> <p>Bluetooth Classic + Low Energy (LE)</p> <ul style="list-style-type: none"> <li>2.4 GHz</li> <li>FHSS(BDR/EDR), DSSS (Bluetooth LE)</li> <li>RF power 9.22 dBm (EIRP)</li> <li>FHSS(BDR/EDR), DSSS (Bluetooth LE)</li> <li>RF power 9.22 dBm (EIRP)</li> </ul> <p>RFID M6e Radio Module</p> <ul style="list-style-type: none"> <li>865-928 MHz</li> <li>FHSS</li> <li>RF power 27.893 dBm</li> </ul> <p>EVM Android WLAN and Bluetooth Radio Modules (for color touch displays)</p> <ul style="list-style-type: none"> <li>2.4 and 5 GHz</li> <li>RF power 14.79 dBm (Bluetooth classic)</li> <li>RF power 24.1 dBm (2.4G)</li> <li>RF power 22 dBm (5G)</li> </ul>

## Printing Specifications

		ZT610	ZT620
Print resolution		203 dpi (dots/in.)/8 dots/mm	203 dpi (dots/in.)/8 dots/mm
		300 dpi/12 dots/mm	300 dpi/12 dots/mm
		600 dpi/24 dots/mm	N/A
Maximum print width	203 dpi	4.09 in. (104 mm)	6.6 in. (168 mm)
	300 dpi	4.09 in. (104 mm)	6.6 in. (168 mm)
	600 dpi	4.09 in. (104 mm)	N/A
Programmable constant print speeds (inches per second/ips or millimeters per second)	203 dpi	2 to 14 in. (50.8 to 355.6 mm) per second in 1-in. (25.4 mm) increments	2 to 12 in. (50.8 to 304.8 mm) per second in 1-in. (25.4 mm) increments
	300 dpi	2 to 12 in. (50.8 to 304.8 mm) per second in 1-in. (25.4 mm) increments	2 to 8 in. (50.8 to 203.2 mm) per second in 1-in. (25.4 mm) increments
	600 dpi	1 to 6 in. (25.4 to 152.4 mm) per second in 1-in. (25.4 mm) increments	N/A
Dot size (nominal) (width x length)	203 dpi	0.0049 in. x 0.0049 in. (0.125 mm x 0.125 mm)	0.0049 in. x 0.0049 in. (0.125 mm x 0.125 mm)
	300 dpi	0.0033 in. x 0.0039 in. (0.084 mm x 0.099 mm)	0.0033 in. x 0.0039 in. (0.084 mm x 0.099 mm)
	600 dpi	0.0016 in. x 0.0016 in. (0.042 mm x 0.042 mm)	N/A
First dot location (measured from the inside edge of the media)	203 dpi	0.14 in. ±0.05 in. (3.5 mm ±1.25 mm)	0.10 in. ±0.035 in. (2.5 mm ±0.9mm)
	300 dpi	0.08 in. ±0.05 in. (2.1 mm ±1.25 mm)	0.10 in. ±0.035 in. (2.5 mm ±0.9mm)
	600 dpi	0.08 in. ±0.05 in. (2.1 mm ±1.25 mm)	N/A
Barcode modulus (X) dimension			
Picket fence (non-rotated) orientation	203 dpi	4.9 mil to 49 mil	3.3 mil to 49 mil
	300 dpi	3.3 mil to 49 mil	
	600 dpi	1.6 mil to 16 mil	N/A
Ladder (rotated) orientation	203 dpi	4.9 mil to 49 mil	3.9 mil to 39 mil
	300 dpi	3.9 mil to 39 mil	
	600 dpi	1.6 mil to 16 mil	N/A

		ZT610	ZT620
Vertical registration (203 and 300 dpi)	< 4 ips	±0.30 mm	±1.5 mm
	4 to 6 ips	±0.50 mm	
	> 6 ips	±1.5 mm	
Vertical registration (600 dpi) (1 and 2 ips)	Tear	±0.20 mm	N/A
	Rewind	±0.20 mm	
	Peel	±0.20 mm	
	Cutter	±0.40 mm	
Vertical registration (600 dpi) (3 to 6 ips)	Tear	±0.43 mm	N/A
	Rewind	±0.37 mm	
	Peel	±0.37 mm	
	Cutter	±0.43 mm	
Horizontal registration		±1.5 mm	±1.5 mm

## Media Specifications

		ZT610	ZT620
Label length MINIMUM (203 and 300 dpi)	Non-RFID		
	Tear-off	0.7 in. (18 mm)	0.7 in. (18 mm)
	Rewind	0.25 in. (6 mm)	0.25 in. (6 mm)
	Peel-off	0.5 in. (13 mm)	0.5 in. (13 mm)
	Cutter	1.5 in. (38 mm)	1.5 in. (38 mm)
	RFID	Varies for each transponder type	
Label length MINIMUM (600 dpi)	Non-RFID		
	Tear-off	0.125 in. (3 mm)	N/A
	Rewind	0.125 in. (3 mm)	
	Peel-off	0.5 in. (13 mm)	
	Cutter	1.5 in. (38 mm)	
	RFID	Varies for each transponder type	
Label length MAXIMUM (non-continuous media)		39 in. (991 mm)	
Print length MAXIMUM (continuous media)	200 dpi	150 in. (3810 mm)	150 in. (3810 mm)
	300 dpi	100 in. (2540 mm)	80 in. (2032 mm)
	600 dpi	30 in. (762 mm)	N/A
Label width MINIMUM	Non-RFID	0.79 in. (20 mm)	2 in. (51 mm)
	RFID	Varies for each transponder type	
Label width MAXIMUM (label and liner)		4.5 in. (114 mm)	7.1 in. (180 mm)
Total thickness MINIMUM (includes liner, if any)		0.003 in. (0.076 mm)	
Total thickness MAXIMUM (includes liner, if any)	Cutter	0.009 in. (0.23 mm)	0.007 in. (0.18 mm)
	Other	0.012 in. (0.30 mm)	0.012 in. (0.30 mm)
Roll outside diameter MAXIMUM		8 in. (203 mm) on a 3-in. (76-mm) inside diameter core	
Inter-label gap	Minimum	0.079 in. (2 mm)	
	Preferred	0.118 in. (3 mm)	
	Maximum	0.157 in. (4 mm)	
Ticket/tag notch size (width x length)		0.25 in. x 0.12 in. (6 mm x 3 mm)	
Sensing hole diameter		0.125 in. (3 mm)	

	ZT610	ZT620
Black mark density, in Optical Density Units (ODU)	> 1.0 ODU	
Media density MAXIMUM (black mark)	0.5 ODU	
Black mark length (parallel to inside media edge)	0.12 to 0.43 in. (3 to 11 mm)	
Black mark width (perpendicular to inside media edge)	> 0.43 in. (> 11 mm)	
Black mark location	within 0.040 in. (1 mm) of inside media edge	

## Ribbon Specifications

Standard printers use ribbon that is coated on the outside. An optional ribbon spindle is available to use ribbon that is coated on the inside. Contact your authorized Zebra reseller for ordering information.

	<b>ZT610</b>	<b>ZT620</b>
Ribbon width MINIMUM*	0.79 in. (20 mm)	2 in.** (51 mm**)
Ribbon width MAXIMUM	4.33 in. (110 mm)	6.7 in. (170 mm)
Ribbon length MAXIMUM	1476 ft (450 m)	
Ribbon core inside diameter	1 in. (25 mm)	
Ribbon roll outside diameter MAXIMUM	3.2 in. (81.3 mm)	

\* Zebra recommends using ribbon that is at least as wide as the media to protect the printhead from wear.

\*\* Depending on your application, you may be able to use ribbon narrower than 2 in. (51 mm), as long as the ribbon is wider than the media being used. To use a narrower ribbon, test the ribbon's performance with your media to assure that you get the desired results.

# Glossary

**alphanumeric** Indicating letters, numerals, and characters such as punctuation marks.

**backfeed** When the printer pulls the media and ribbon (if used) backward into the printer so that the beginning of the label to be printed is properly positioned behind the printhead. Backfeed occurs when operating the printer in Tear-Off and Applicator modes.

**barcode** A code by which alphanumeric characters can be represented by a series of adjacent stripes of different widths. Many different code schemes exist, such as the universal product code (UPC) or Code 39.

**black mark** A registration mark found on the underside of the print media that acts as a start-of-label indication for the printer. (See *non-continuous media*.)

**calibration (of a printer)** A process in which the printer determines some basic information needed to print accurately with a particular media and ribbon combination. To do this, the printer feeds some media and ribbon (if used) through the printer and senses whether to use the direct thermal or thermal transfer print method, and (if using non-continuous media) the length of individual labels or tags.

**configuration** The printer configuration is a group of operating parameters specific to the printer application. Some parameters are user selectable, while others are dependent on the installed options and mode of operation. Parameters may be switch selectable, control panel programmable, or downloaded as ZPL II commands. A configuration label listing all the current printer parameters may be printed for reference.

**continuous media** Label or tag-stock media that has no notch, gap, or web (media liner only) to separate the labels or tags. The media is one long piece of material.

**core diameter** The inside diameter of the cardboard core at the center of a roll of media or ribbon.

**diagnostics** Information about which printer functions are not working that is used for troubleshooting printer problems.

**ULINE**

1-800-295-5510

0720 IH-7378VND

**die-cut media** A type of label stock that has individual labels stuck to a media liner. The labels may be either lined up against each other or separated by a small distance. Typically the material surrounding the labels has been removed. (See *non-continuous media*.)

**direct thermal** A printing method in which the printhead presses directly against the media. Heating the printhead elements causes a discoloration of the heat-sensitive coating on the media. By selectively heating the printhead elements as the media moves past, an image is printed onto the media. No ribbon is used with this printing method. Contrast this with *thermal transfer*.

**direct thermal media** Media that is coated with a substance that reacts to the application of direct heat from the printhead to produce an image.

**dynamic RAM** The memory devices used to store the label formats in electronic form while they are being printed. The amount of DRAM memory available in the printer determines the maximum size and number of label formats that can be printed. This is volatile memory that loses the stored information when power is turned off.

**fanfold media** Media that comes folded in a rectangular stack. Contrast this with *roll media*.

**firmware** This is the term used to specify the printer's operating program. This program is downloaded to the printer from a host computer and stored in FLASH memory. Each time the printer power is turned on, this operating program starts. This program controls when to feed the media forward or backward and when to print a dot on the label stock.

**FLASH memory** FLASH memory is non-volatile and maintains the stored information intact when power is off. This memory area is used to store the printer's operating program. In addition, this memory can be used to store optional printer fonts, graphic formats, and complete label formats.

**Font** A complete set of alphanumeric characters in one style of type. Examples include CG Times™, CG Triumvirate Bold Condensed™.

**ips (inches-per-second)** The speed at which the label or tag is printed. Many Zebra printers can print from 1 ips to 14 ips.

**label** An adhesive-backed piece of paper, plastic, or other material on which information is printed.

**label backing (liner)** The material on which labels are affixed during manufacture and which is discarded or recycled by the end-users.

**light emitting diode (LED)** Indicators of specific printer status conditions. Each LED is either off, on, or blinking depending on the feature being monitored.

**linerless media** Linerless media does not use backing to keep the layers of labels on a roll from sticking to one another. It is wound like a roll of tape, with the sticky side of one layer in contact with the non-sticky surface of the one below it. Individual labels may be separated by perforations, or they can be cut apart. Because there is no liner, more labels can potentially fit on a roll, cutting down the need to change media as often. Linerless media is considered an environmentally friendly option because no backing is wasted, and the cost per label can be considerably less than that of standard labels.



**liquid crystal display (LCD)** The LCD is a back-lit display that provides the user with either operating status during normal operation or option menus when configuring the printer to a specific application.

**media** Material onto which data is printed by the printer. Types of media include: tag stock, die-cut labels, continuous labels (with and without media liner), non-continuous media, fanfold media, and roll media.

**media sensor** This sensor is located behind the printhead to detect the presence of media and, for non-continuous media, the position of the web, hole, or notch used to indicate the start of each label.

**media supply hanger** The stationary arm that supports the media roll.

**non-continuous media** Media that contains an indication of where one label/printed format ends and the next one begins. Examples are die-cut labels, notched tag-stock, and stock with black mark registration marks.

**non-volatile memory** Electronic memory that retains data even when the power to the printer is turned off.

**notched media** A type of tag stock containing a cutout area that can be sensed as a start-of-label indicator by the printer. This is typically a heavier, cardboard-like material that is either cut or torn away from the next tag. (See *non-continuous media*.)

**peel-off** A mode of operation in which the printer peels a printed label away from the backing and allows the user to remove it before another label is printed. Printing pauses until the label is removed.

**print speed** The speed at which printing occurs. For thermal transfer printers, this speed is expressed in terms of ips (inches per second).

**printhead wear** The degradation of the surface of the printhead and/or the print elements over time. Heat and abrasion can cause printhead wear. Therefore, to maximize the life of the printhead, use the lowest print darkness setting (sometimes called burn temperature or head temperature) and the lowest printhead pressure necessary to produce good print quality. In the thermal transfer printing method, use ribbon that is as wide or wider than the media to protect the printhead from the rough media surface.

**registration** Alignment of printing with respect to the top (vertical) or sides (horizontal) of a label or tag.

**ribbon** A band of material consisting of a base film coated with wax or resin “ink.” The inked side of the material is pressed by the printhead against the media. The ribbon transfers ink onto the media when heated by the small elements within the printhead. Zebra ribbons have a coating on the back that protects the printhead from wear.

**ribbon wrinkle** A wrinkling of the ribbon caused by improper alignment or improper printhead pressure. This wrinkle can cause voids in the print and/or the used ribbon to rewind unevenly. This condition should be corrected by performing adjustment procedures.

**roll media** Media that comes supplied rolled onto a core (usually cardboard). Contrast this with *fanfold media*.

**supplies** A general term for media and ribbon.

**symbology** The term generally used when referring to a barcode.

**tag** A type of media having no adhesive backing but featuring a hole or notch by which the tag can be hung on something. Tags are usually made of cardboard or other durable material.

**tear-off** A mode of operation in which the user tears the label or tag stock away from the remaining media by hand.

**thermal transfer** A printing method in which the printhead presses an ink or resin coated ribbon against the media. Heating the printhead elements causes the ink or resin to transfer onto the media. By selectively heating the printhead elements as the media and ribbon move past, an image is printed onto the media. Contrast this with *direct thermal*.

**void** A space on which printing should have occurred, but did not due to an error condition such as wrinkled ribbon or faulty print elements. A void can cause a printed barcode symbol to be read incorrectly or not at all.

# Index

## A

- adhesive test for ribbon coating, 25
- adjustments
  - label left position, 113
  - label top position, 112
  - maximum label length, 115
  - print darkness, 105
  - print width, 110
  - printhead pressure or toggle location, 198
  - sensor location, 204
  - tear-off position, 109
- alternate TCP port number, 157
- antenna element, 165
- applicator port
  - applicator error on pause, 139
  - specifications, 278
- Asset Visibility Service, 159
- automatic sensor adjustment, 178

## B

- barcodes
  - barcode does not scan, 248
  - barcodes label, 120
  - determining "in-spec" barcodes, 229
- battery disposal, 226
- baud rate, 181
- black mark media
  - described, 23
  - selecting media type, 107
  - specifications, 285

## Bluetooth

- address, 186
- characteristics and limitations, 276
- connection status to paired device, 189
- device type (slave or master), 187
- discovery on/off, 188
- minimum security level, 191
- specification version, 190
- using Print Touch feature, 272

- broken ribbon, 252
- buttons on control panel, 18

## C

- calibration
  - Auto Calibrate failed, 260
  - how to set as head-close action, 124
  - how to set as power-up action, 123
  - procedure, 192
  - SHORT CAL
    - how to set for head-close action, 124
    - how to set for power-up action, 123
  - ways to initiate, 127
- Canadian DOC compliance, 4
- CANCEL button, 18
- CANCEL self test, 121
- changing printer parameters, 103
- channel (wireless network), 154
- cleaning
  - cutter module, 218
  - exterior of printer, 213
  - media compartment, 213
  - printhead and platen roller, 214
  - recommended cleaning schedule, 212
  - sensors, 213

- command character, 172
- command language, 171
- communication diagnostics mode
  - how to initiate, 128
  - overview, 239
- communication interfaces, 62
- communications problems, 257
- configuration label
  - print through Zebra Setup Utilities, 97
  - various ways to print, 120
- conformity declaration, 3
- connecting printer to computer or network, 62
- continuous media
  - described, 23
  - selecting media type, 107
- control character, 173
- control panel
  - button function, 18
  - error messages, 244
  - location, 14
  - navigation, 19
- cover open light, 117
- customer support, 28
- Cutter mode
  - cleaning the cutter module, 218
  - CUT ERROR message, 247
  - final media loading steps, 53
  - how to select, 111
  - preliminary media loading steps, 32

## D

- darkness
  - adjustments, 105
  - finding optimal setting, 237
  - print quality too light or too dark, 248
  - print test labels, 140, 232
- data bits, 182
- data cables, 17
- data source
  - connections, 62
  - site selection considerations, 30
- declaration of conformity, 3
- default gateway
  - wired, 145
  - wireless, 150
- default reset, 125
- delimiter character, 174
- diagnostic mode
  - how to initiate, 128
  - overview, 239
- diagnostics, 231

- Direct Thermal mode
  - media scratch test, 24
  - setting, 108
- display
  - display language, 170
  - how to change from unfamiliar language, 258
  - location on control panel, 18
  - missing characters, 258
  - printing from the display, 137
- disposal of printer parts, 226
- driver installation, 62

## E

- electrical specifications, 279
- electronics cover, 14
- element out test labels
  - how to print, 140
  - sample, 236
- enable ZBI, 131
- Energy Star mode
  - setting, 129
- environmental conditions, 276
- error messages, 244
- ESSID, 153
- Ethernet
  - connecting to a wired network, 83
  - connecting to a wireless network, 91
- external view of printer, 14

## F

- factory defaults, 125
- fanfold media
  - described, 23
  - loading, 33
- FCC compliance, 4
- FCC radiation exposure limits, 4
- FEED + PAUSE self test, 126
- feed a label
  - FEED button, 18
  - how to set as head-close action, 124
  - how to set as power-up action, 123
- FEED button
  - FEED self test, 237
  - location, 18
- first dot location test labels
  - how to print, 140
  - sample label, 233
- fonts label, 120
- formats label, 120

**G**

- gap/notch
  - illustrations, 23
  - selecting media type, 107
  - ways to select media sensor type, 177
- gateway
  - wired, 145
  - wireless, 150

**H**

- HEAD COLD message
  - cycling with other messages, 246
  - displaying alone, 246
- HEAD OPEN message, 244
- head-close action, 124
- Home menu, 21
- horizontal registration, 283
- host handshake, 184
- Human Input Device (HID) use, 137

**I**

- idle display
  - accessing the Home menu from the Idle Display, 19
  - how to change what displays, 122
  - information shown, 21
- image compression test labels
  - how to print, 140
  - sample, 235
- images distorted on labels, 257
- images label, 120
- indicator lights
  - combined with error message, 244
  - location, 18
  - troubleshooting, 242
- initiate manual calibration, 127
- inspect for shipping damage, 28
- internal lights, 117
- IP addresses
  - wired print server, 143
  - wireless print server, 148
- IP resolution (IP protocol)
  - wired, 146
  - wireless, 151

**L**

- label left position adjustment, 113
- label length
  - how to set maximum, 115
  - specifications, 284
- label sensor sensitivity, 179

- label top position adjustment, 112
- label width
  - how to set, 110
  - specifications, 284
- labels did not print, 257
- language
  - how to change from unfamiliar language, 258
  - languages supported on display, 170
- last saved settings, 125
- LCD error messages, 244
- LENGTH
  - how to set as head-close action, 124
  - how to set as power-up action, 123
- liability, 2
- Liner Take-Up mode
  - final media loading steps, 39
  - how to select, 111
  - preliminary media loading steps, 32
- load defaults, 125
- location for printer, 30
- lubrication, 226

**M**

- MAC address
  - wired, 147
  - wireless, 152
- manual calibration
  - procedure, 192
  - ways to initiate, 127
- maximum label length
  - how to set, 115
  - specifications, 284
- media
  - black mark, 23
  - continuous roll media, 23
  - fanfold, 23
  - non-continuous roll media, 23
  - perforated, 23
  - RFID “smart” labels, 22
  - specifications, 284
  - tag stock, 22
  - types of media, 22
  - web, 23
- media door, 14
- MEDIA OUT message, 244
- media path lights, 118
- media scratch test, 24
- media sensor calibration
  - procedure, 192
  - ways to initiate, 127
- media sensor selection, 177
- media type selection, 107

melted ribbon, 252  
 memory, 278  
 menu structure, 103  
 mirroring, 266  
 misregistration of labels, 250  
 missing print on labels, 250

## N

navigation, 19  
 Near Field Communication (NFC), 272  
   limitations and requirements, 277  
 network configuration label  
   various ways to print, 120  
 network defaults, 125  
 network settings  
   load defaults, 125  
   reset network, 158  
 NO MOTION  
   how to set as head-close action, 124  
   how to set as power-up action, 123  
 non-continuous media  
   described, 23  
   problem with labels, 260  
   selecting media type, 107

## O

operating conditions, 30  
 ordering replacement parts, 226  
 OUT OF MEMORY message, 247

## P

parallel port  
   characteristics of parallel connection, 278  
   connecting the printer to a computer, 75  
 parity, 183  
 password, 138  
 PAUSE button, 18  
 PAUSE self test, 140  
 Peel-Off mode  
   final media loading steps, 39  
   how to select, 111  
   preliminary media loading steps, 32  
 perforated media, 23  
 PH NOT AUTHENTICATED message, 244  
 power  
   power cord specifications, 280  
   site selection, 30  
   specifications, 279

Power-On Self Test (POST)  
   printer locks up during POST, 260  
 power-up action, 123  
 primary TCP port number, 156  
 print darkness setting, 105  
 PRINT HEAD OVERTEMP message, 246  
 print information menu item, 120  
 print line test labels  
   how to print, 140  
   sample, 234  
 print method specification, 108  
 print mode selection, 111  
 print quality  
   barcode does not scan, 248  
   darkness and print speed optimization, 237  
   printhead pressure adjustment, 198  
   troubleshooting, 248  
 print server  
   channel, 154  
   default wired gateways, 145  
   default wireless gateways, 150  
   ESSID, 153  
   IP protocol (wired), 146  
   IP protocol (wireless), 151  
   network configuration label, 120  
   reset network settings, 158  
   select primary print server, 142  
   signal, 155  
   view active print server, 141  
   wired IP addresses, 143  
   wired MAC address, 147  
   wireless IP addresses, 148  
   wireless MAC address, 152  
 print speed  
   finding optimal setting, 237  
   how to specify, 106  
   specifications, 282  
 PRINT STATION menu item, 137  
 print test format, 140  
 Print Touch feature, 272  
 print width  
   adjustment, 110  
   specifications, 282  
 printer configuration label, 120  
 printer diagnostics, 231  
 printer driver, 62  
 printer locks up, 260  
 printer memory, 278  
 printer parameters, 103

printer settings  
 darkness, 105  
 label left position, 113  
 label top position, 112  
 maximum label length, 115  
 media type, 107  
 print method, 108  
 print mode, 111  
 print width, 110  
 reprint mode, 114  
 settings not taking effect, 258  
 tear-off position, 109

printhead  
 adjust printhead pressure or toggle location, 198  
 HEAD COLD message  
   cycling with other messages, 246  
   displaying alone, 246  
 how to clean, 214  
 PH NOT AUTHENTICATED message, 244  
 PRINT HEAD OVERTEMP message, 246  
 THERMISTOR PREPLACE PRINTHEAD message, 246  
 programming position, 164

## Q

QR codes with error messages, 228  
 QuickHelp pages, 228

## R

radiation exposure limits, 4  
 read power, 166  
 read/write position, 164  
 recycling printer parts, 226  
 reflective sensor selection, 177  
 registration, 283  
 registration loss during printing, 250  
 reinitialize printer server, 125  
 relative humidity  
   operating, 30  
   operating and storage, 276  
 reload last saved settings, 125  
 replacement parts, 226  
 report shipping damage, 28  
 reprint mode, 114  
 reset network settings, 158  
 reset printer to default values, 125  
 reset to defaults, 125  
 Rewind mode  
   description and media path, 31  
   final media loading steps, 46  
   preliminary media loading steps, 32

## RFID

antenna element, 165  
 programming position, 164  
 read power, 166  
 read RFID data, 162  
 RFID test, 163  
 “smart” labels, 22  
 status, 160  
 tag calibration, 161  
 troubleshooting, 254  
 valid label counter, 168  
 void label counter, 169  
 write power, 167

## ribbon

adhesive test, 25  
 broken or melted ribbon, 252  
 determining coated side, 24  
 loading, 58  
 removal, 205  
 ribbon not detected correctly, 253  
 ribbon path lights, 119  
 scratch test, 25  
 setting Thermal Transfer mode, 108  
 specifications, 286  
 when to use, 24  
 wrinkled ribbon, 252

RIBBON IN message, 244  
 RIBBON OUT message, 245

ribbon sensor calibration  
 procedure, 192  
 ways to initiate, 127

## roll media

described, 22  
 loading, 33

routine cleaning schedule, 212  
 run a ZBI program, 132

## S

scanner input, 137  
 scratch test  
   media type, 24  
   ribbon coated side, 25  
 self tests, 231  
   communication diagnostics, 239  
   FEED, 237  
 self-adjusting sensor, 178  
 sensor profile, 120  
 sensor type selection, 177

- sensors
    - adjust sensor position, 204
    - interpreting sensor profile, 240
    - self-adjusting, 178
    - transmissive sensor selection, 177
  - serial port
    - connecting the printer to a computer, 75
    - limitations and requirements, 277
  - servicing the printer, 28
  - setup
    - install the printer driver, 62
    - unpack the printer, 28
  - shipping
    - report damage, 28
    - reshipping the printer, 29
  - SHORT CAL
    - how to set as head-close action, 124
    - how to set as power-up action, 123
  - signal, 155
  - site selection for printer, 30
  - skipped labels, 257
  - sleep mode
    - , 279
    - setting Energy Star mode, 129
  - “smart” labels, 22
  - smart phone
    - QuickHelp pages, 228
    - using Print Touch feature, 272
  - smudge marks on labels, 249
  - spacing requirements, 30
  - stop a ZBI program, 133
  - storing the printer, 28
  - subnet mask
    - wired, 144
    - wireless, 149
  - surface for printer, 30
- T**
- tag calibration, 161
  - tag stock, 22
  - take label sensor intensity, 180
  - TCP port number
    - alternate, 157
    - primary, 156
  - Tear-Off mode
    - final media loading steps, 35
    - how to select, 111
    - preliminary media loading steps, 32
  - tear-off position adjustment, 109
  - technical support, 28
  - temperature
    - operating, 30
    - operating and storage, 276
  - Thermal Transfer mode
    - media scratch test, 24
    - setting, 108
  - THERMISTOR REPLACE PRINTHEAD message, 246
  - toggle adjustment, 198
  - transmissive sensor selection, 177
  - troubleshooting
    - communications problems, 257
    - diagnostic tests, 231
    - error messages, 244
    - indicator lights, 242
    - print quality problems, 248
    - RFID problems, 254
    - ribbon problems, 252
  - types of media
    - black mark media, 23
    - continuous roll media, 23
    - fanfold media, 23
    - non-continuous roll media, 23
    - perforated media, 23
    - RFID “smart” labels, 22
    - tag stock, 22
    - web media, 23
- U**
- USB host
    - copy configuration information to USB device, 130
    - copy files and perform USB mirror, 266
    - copy files from a Flash drive, 135
    - copy files to/from USB Flash drive, 269
    - enter data with USB keyboard, 271
    - file naming conventions, 265
    - files required for exercises, 262
    - limitations and requirements, 276
    - location of port, 265
    - print a label format from the display, 137
    - print from a Flash drive, 134
    - print label format from USB Flash drive, 268
    - printer does not recognize USB device, 258
    - store files on a Flash drive, 136
  - USB keyboard input, 137
  - USB mirror, 266
  - USB port
    - connecting the printer to a computer, 71
    - limitations and requirements, 277
    - specifications, 277
  - USB scanner input, 137
  - user menus, 103



**V**

- valid RFID label counter, 168
- ventilation requirements, 30
- vertical drift in top-of-form position, 250
- vertical registration, 283
- virtual device, 176
- Visibility Agent, 159
- void RFID label counter, 169

**W**

- web media
  - described, 23
- wired print server
  - limitations and requirements, 277
  - See also* print server
- Wireless Markup Language (WML) version, 185
- wireless print server
  - channel, 154
  - ESSID, 153
  - limitations and requirements, 278
  - signal, 155
  - specifications, 281
- wrinkled ribbon causes, 252
- write power, 167

**Z**

- Zebra Basic Interpreter (ZBI)
  - enable, 131
  - run a ZBI program, 132
  - stop a ZBI program, 133
- Zebra Global Customer Support, 28
- Zebra Printer Connector, 159
- Zebra Setup Utilities
  - installation, 62
  - print a test label, 97
- ZebraDesigner, 99
- ZPL mode, 175



**Corporate Headquarters**

Zebra Technologies Corporation  
3 Overlook Point  
Lincolnshire, IL 60069 USA  
T: +1 847 634 6700  
Toll-free +1 866 230 9494  
F: +1 847 913 8766

<http://www.zebra.com>

**ULINE**

1-800-295-5510

0720 IH-7378VND

# ZT600 Series

Impresora industrial



## Guía del usuario



**ZEBRA**

**ULINE**

800-295-5510

0720 IH-7378VND

© 2017 ZIH Corp. y sus afiliadas. Todos los derechos reservados. ZEBRA y la cabeza de la cebra estilizada son marcas comerciales de ZIH Corp., registradas en distintas jurisdicciones de todo el mundo. Todas las otras marcas comerciales son de sus respectivos propietarios.

La información de este documento está sujeta a cambio sin previo aviso.

Para obtener más información sobre las declaraciones legales y de propiedad, vaya a:

DERECHOS DE AUTOR: [www.zebra.com/copyright](http://www.zebra.com/copyright)

GARANTÍA: [www.zebra.com/warranty](http://www.zebra.com/warranty)

CONTRATO DE LICENCIA PARA EL USUARIO FINAL: [www.zebra.com/eula](http://www.zebra.com/eula)

SOFTWARE: [www.zebra.com/linkoslegal](http://www.zebra.com/linkoslegal)

## Términos de uso

**Declaración de propiedad** Este manual contiene información sobre las patentes de Zebra Technologies Corporation y sus compañías subsidiarias (“Zebra Technologies”). Está destinada exclusivamente a las personas que utilizan y realizan las tareas de mantenimiento del equipo descrito en este documento. Dicha información sobre patentes no se puede utilizar, reproducir ni revelar a ninguna otra parte con ningún otro objetivo sin el permiso expreso, por escrito, de Zebra Technologies.

**Mejoras de los productos** Una de las políticas de Zebra Technologies es la mejora continua de sus productos. Todas las especificaciones y los diseños están sujetos a cambios sin previo aviso.

**Declinación de responsabilidad** Zebra Technologies se esfuerza para asegurar que sus especificaciones y manuales de ingeniería publicados sean correctos; sin embargo, pueden contener errores. Zebra Technologies se reserva el derecho de corregir dichos errores y declina la responsabilidad resultante de los mismos.

**Limitación de la responsabilidad** En ninguna circunstancia, Zebra Technologies o cualquier otra parte involucrada en la creación, producción o entrega de este producto (incluidos el hardware y el software) serán responsables en absoluto de cualquier daño (incluyendo, pero sin limitarse a daños resultantes de la pérdida de beneficios comerciales, de la interrupción de negocios o de la pérdida de información comercial) que surja del uso o de los resultados del uso de dicho producto o de la incapacidad para utilizarlo, aun cuando se haya informado a Zebra Technologies de la posibilidad de tales daños. Algunas jurisdicciones no permiten la exclusión o limitación de daños casuales o resultantes; por lo tanto, es posible que la limitación arriba mencionada no se aplique a su caso.



Número de pieza: P1088680-041 Rev. A

**ULINE**

800-295-5510

0720 IH-7378VND



# Declaración de conformidad

Hemos determinado que las impresoras Zebra identificadas como

**ZT610™ y ZT620™**

fabricadas por:

**Zebra Technologies Corporation**

3 Overlook Point

Lincolnshire, Illinois 60069, EE. UU.

han demostrado que cumplen con las normas técnicas aplicables de la FCC  
(Comisión Federal de Comunicaciones de EE. UU.)

**para uso comercial, industrial, de oficinas y hogareño,**

si no se realiza ningún cambio no autorizado en el equipo,  
y si el equipo se mantiene y se opera correctamente.

**ULINE**

800-295-5510

0720 IH-7378VND

## Información de cumplimiento de normas

### Declaración de cumplimiento de las disposiciones de la FCC

Este dispositivo cumple con las estipulaciones establecidas en la Parte 15 de la normativa de la Comisión Federal de Comunicaciones (FCC, por sus siglas en inglés). El funcionamiento está sujeto a las siguientes dos condiciones:

1. este dispositivo no debe causar interferencias perjudiciales;
2. este dispositivo debe aceptar cualquier interferencia recibida, incluida la interferencia que puede causar una operación no deseada.



**Nota** • Este equipo ha sido probado y se ha encontrado que cumple con los límites establecidos para un dispositivo digital Clase B, de conformidad con la Parte 15 de las Reglas de la FCC de EE. UU. Dichos límites están diseñados para proporcionar una razonable protección contra toda interferencia perjudicial en una instalación residencial. Este equipo genera, utiliza y puede irradiar energía de radiofrecuencia y, si no se lo instala y utiliza de acuerdo con las instrucciones, puede causar interferencias perjudiciales en las comunicaciones por radio. Sin embargo, no hay garantía de que no se produzca interferencia en una determinada instalación. Si este equipo produce interferencia perjudicial en la recepción de radio o televisión, la cual se puede determinar encendiendo y apagando el equipo, le sugerimos al usuario que intente corregir la interferencia mediante una o más de las siguientes medidas:

- Vuelva a orientar o a ubicar la antena receptora.
- Aumente la separación entre el equipo y el receptor.
- Conecte el equipo a un tomacorriente que pertenezca a un circuito diferente de aquel en el cual se conectó el receptor.
- Consulte al distribuidor o a un técnico de radio/TV con experiencia para obtener ayuda.

### Declaración de exposición a la radiación de la FCC (para impresoras con codificadores de RFID)

Este equipo cumple con los límites de exposición a la radiación de la FCC establecidos para un ambiente no controlado. Este equipo se debe instalar y operar con una distancia mínima de 20 cm entre el radiador y su cuerpo.

Este transmisor no se debe ubicar ni operar conjuntamente con cualquier otra antena u otro transmisor.

### Declaración de cumplimiento según la Declaración de conformidad canadiense

Este aparato digital Clase B cumple con la norma canadiense ICES-003.

Cet appareil numérique de la classe B est conforme à la norme NMB-003 du Canada.

**ULINE**

800-295-5510

0720 IH-7378VND

# Contenido

<b>Declaración de conformidad</b> .....	<b>3</b>
Información de cumplimiento de normas .....	4
<b>Acerca de este documento</b> .....	<b>11</b>
Quién debe utilizar este documento .....	12
Cómo está organizado este documento .....	12
<b>1 • Introducción</b> .....	<b>13</b>
Componentes de la impresora .....	14
Opciones de la impresora .....	15
Interfaces de comunicación .....	16
Cables de datos .....	17
Panel de control estándar .....	18
Navegación por las pantallas estándar .....	19
Visualización pausa, menú Inicio y menús de usuario en la pantalla estándar .....	21
Tipos de papel .....	22
Descripción general de la cinta .....	24
Cuándo se utiliza cinta .....	24
Lado revestido de la cinta .....	24
<b>2 • Configuración y funcionamiento de la impresora</b> .....	<b>27</b>
Manejar la Impresora .....	28
Desembalar e inspeccionar la Impresora .....	28
Guardar la Impresora .....	28
Dar servicio a la impresora .....	28
Enviar la Impresora .....	29
Seleccionar una ubicación para la Impresora .....	30
Seleccionar un modo de impresión .....	31
Cargar el papel .....	32



Insertar el papel en la impresora	32
Modo Corte manual	35
Modo Autodespegue o modo Aplicador	39
Modo Rebobinado	46
Modo Cortador o modo Corte demorado	53
Cargar la cinta	58
Instalar el controlador de la impresora y conectar la impresora a la computadora	62
Instalar Zebra Setup Utilities	62
Conectar una computadora al puerto USB de la impresora	71
Conectar una computadora al puerto serie o paralelo de la impresora	75
Realizar una conexión con su red a través del puerto Ethernet de su impresora	83
Conectar la impresora a su red inalámbrica	91
Imprimir una etiqueta de prueba y realizar ajustes	97
<b>3 • Configuración y ajustes de la impresora</b>	<b>101</b>
Ajustar la configuración de la impresora	102
CONTRASTE	104
VELOC IMPRESIÓN	105
TIPO DE PAPEL	106
MÉTODO IMPRES.	107
CORTE MAN.	108
ANCHO IMPRS	109
MODO IMPRESIÓN	110
B. SUP. ETIQ	111
POSICIÓN IZQ.	112
MODAL. REIMPR.	113
LONG MÁX ETIQ	114
LUZ CUBRTA ABIERTA	116
LUCES TRAYEC PAPEL	117
LUCES TRAYEC CINTA	118
INFO IMPRES	119
VISUAL. PAUSA	122
ENCENDIDO	123
ACC CIERRE CAB	124
CARGAR ORIG.	125
CAL PAPEL/CINTA	127
MODO DIAGNÓSTICO	128
ENERGY STAR	129
INFO CONFIG EN USB	130
¿ZBI ACTIVADO?	131
EJECUTAR PROGRAMA ZBI	132
DETENER PROG ZBI	133
IMPRMR ARCH DE USB	134



COPR ARCH USB A E: .....	135
ALMAC ARCH E: EN USB .....	136
ESTACIÓN IMPRESIÓN .....	137
PROTECC CON CONTRASEÑA .....	138
ERROR APLIC: PAUSA .....	139
IMPR FORMATO PRUEB .....	140
SERV IMPRES ACTIVO .....	142
RED PRIMARIA .....	143
DIRECCIÓN IP CABL .....	144
MÁSCRA SUBRED CABL .....	145
PUERTA ENLACE CABLEADA .....	146
PROTOCOLO IP CABL .....	147
DIRECCIÓN MAC CABL .....	148
DIRECCIÓN IP WLAN .....	149
MÁSCR SUBRED WLAN .....	150
PUERTA ENLACE WLAN .....	151
PROTOCOLO IP WLAN .....	152
DIRECCIÓN MAC WLAN .....	153
ESSID .....	154
CANAL .....	155
SEÑAL .....	156
PUERTO IP .....	157
PUERTO IP ALTERNATIVO .....	158
REAJUSTAR TARJETA .....	159
VISIBILITY AGENT .....	160
ESTADO DE RFID .....	161
CALIBRACN RFID .....	162
LEER DTOS RFID .....	163
PRUEBA RFID .....	164
POSCN PRG RFID .....	165
ANTENA DE RFID .....	166
POT LECT RFID .....	167
POT ESCRT RFID .....	168
CNTEO RFID VÁL .....	169
CNTEO RFID ANUL .....	170
IDIOMA .....	171
COMANDO IDIOMA .....	172
CARÁCT COMNDO .....	173
CARÁCTER CTRL .....	174
DELIMITADOR .....	175
MODO ZPL .....	176
DISPOSITIVO VIRTUAL .....	177

TIPO DE SENSOR .....	178
SENSOR AJUST AUTOM .....	179
SENSOR ETIQ. ....	180
TOMAR ETIQT A .....	181
VELOC TRANS BAUD .....	182
BITS DE DATOS .....	183
PARIDAD .....	184
ENLACE CENTRAL .....	185
WML .....	186
DIRECCN BLUETOOTH .....	187
MODO .....	188
DETECCIÓN .....	189
CONECTADA .....	190
VERSN ESPECIF BT .....	191
MODO SEGUR MÍN .....	192
Calibrar los sensores de cinta y de papel .....	193
Ajustar la presión del cabezal de impresión y posición de la palanca acodada .....	199
Ajuste de la posición de la palanca acodada .....	200
Ajuste de presión del cabezal de impresión .....	202
Ajustar la posición del sensor .....	205
Extraer la cinta usada .....	206
Instalar la placa de rebobinado/tensado del papel protector .....	208
Modo Despegar/Modo Aplicador .....	208
Modo Rebobinado .....	210
<b>4 • Mantenimiento de rutina .....</b>	<b>213</b>
Programa y procedimientos de limpieza .....	214
Limpiar el exterior de la impresora, el compartimiento del papel y los sensores ..	215
Limpiar el cabezal de impresión y el rodillo portapapeles .....	216
Limpiar el módulo del cortador .....	220
Reemplazar los componentes de la Impresora .....	228
Encargar piezas de reemplazo .....	228
Reciclar los componentes de la Impresora .....	228
Lubricación .....	228
<b>5 • Diagnóstico y solución de problemas .....</b>	<b>229</b>
Códigos QR y páginas de Ayuda rápida. ....	230
Clasificación de calidad del código de barras .....	231
Pruebas de diagnóstico de la impresora .....	233
Opción Imprimir formato de prueba .....	234
Prueba de contraste y velocidad óptimos .....	239
Prueba de diagnóstico de comunicaciones .....	241
Perfil de sensor .....	242

Luces indicadoras .....	244
Solución de problemas .....	246
Mensajes de alerta y de error .....	246
Problemas de impresión .....	251
Problemas con la cinta .....	255
Problemas con la RFID .....	257
Problemas con las comunicaciones .....	260
Problemas misceláneos de la impresora .....	261
<b>6 • Uso de los puertos USB host y de las capacidades de NFC .....</b>	<b>265</b>
Elementos necesarios para realizar los ejercicios .....	266
Archivos para realizar los ejercicios .....	266
USB Host .....	269
Ejercicio 1: Copiar archivos a una unidad flash USB y crear un reflejo de USB ...	270
Ejercicio 2: Imprimir un formato de etiqueta desde una unidad flash USB .....	272
Ejercicio 3: Copiar archivos a/desde una unidad flash USB .....	273
Ejercicio 4: Ingresar datos de un archivo almacenado con un teclado USB e imprimir una etiqueta .....	275
Comunicación de campo cercano (NFC) .....	276
Ejercicio 5: Ingresar datos de un archivo almacenado con un dispositivo inteligente e imprimir una etiqueta .....	277
<b>7 • Especificaciones .....</b>	<b>279</b>
Especificaciones generales .....	280
Especificaciones de alimentación .....	283
Especificaciones para el cable de alimentación eléctrica .....	284
Especificaciones para conexiones inalámbricas .....	285
Especificaciones de impresión .....	286
Especificaciones del papel .....	288
Especificaciones de la cinta .....	290
<b>Glosario .....</b>	<b>291</b>
<b>Índice .....</b>	<b>295</b>



Notas • \_\_\_\_\_

---

---

---

---

---

---

---

---

---

---

---

---

# Acerca de este documento

Esta sección le brinda información de contacto, datos sobre la estructura y organización de documentos, y documentos de referencia adicionales.

**Contenido**

Quién debe utilizar este documento . . . . . 12  
Cómo está organizado este documento . . . . . 12

## Quién debe utilizar este documento

Esta Guía del usuario está destinada a cualquier persona que deba operar o solucionar problemas con la impresora.

## Cómo está organizado este documento

La Guía del usuario está organizada de la siguiente manera:

<b>Sección</b>	<b>Descripción</b>
<i>Introducción en la página 13</i>	Esta sección le brinda información de contacto, datos sobre la estructura y organización de documentos, y documentos de referencia adicionales.
<i>Configuración y funcionamiento de la impresora en la página 27</i>	Esta sección ayuda al técnico con la configuración inicial y el funcionamiento de la impresora.
<i>Configuración y ajustes de la impresora en la página 101</i>	Esta sección lo ayudará con la configuración y los ajustes de la impresora.
<i>Mantenimiento de rutina en la página 213</i>	En esta sección, se describen los procedimientos de mantenimiento y limpieza de rutina.
<i>Diagnóstico y solución de problemas en la página 229</i>	Esta sección proporciona las pruebas de diagnóstico y otros datos que pueden ayudar a optimizar la impresión o a solucionar problemas de la impresora.
<i>Uso de los puertos USB host y de las capacidades de NFC en la página 265</i>	Esta sección le permitirá aprender a utilizar los puertos USB host y la capacidad de Comunicación de campo cercano (NFC) de su impresora Zebra. La información se presenta en forma de ejercicios y se incluyen algunos comandos SGD para los usuarios avanzados.
<i>Especificaciones en la página 279</i>	Esta sección enumera las especificaciones generales de la impresora, las especificaciones de impresión, las especificaciones de la cinta y las especificaciones del papel.
<i>Glosario en la página 291</i>	El glosario le brinda una lista de términos comunes.

# Introducción

Esta sección proporciona una descripción general de alto nivel de la impresora y sus componentes.

## Contenido

Opciones de la impresora . . . . .	15
Interfaces de comunicación . . . . .	16
Componentes de la impresora . . . . .	14
Panel de control estándar . . . . .	18
Navegación por las pantallas estándar . . . . .	19
Visualización pausa, menú Inicio y menús de usuario en la pantalla estándar . . . . .	21
Tipos de papel . . . . .	22
Descripción general de la cinta . . . . .	24
Cuándo se utiliza cinta . . . . .	24
Lado revestido de la cinta . . . . .	24

## Componentes de la impresora

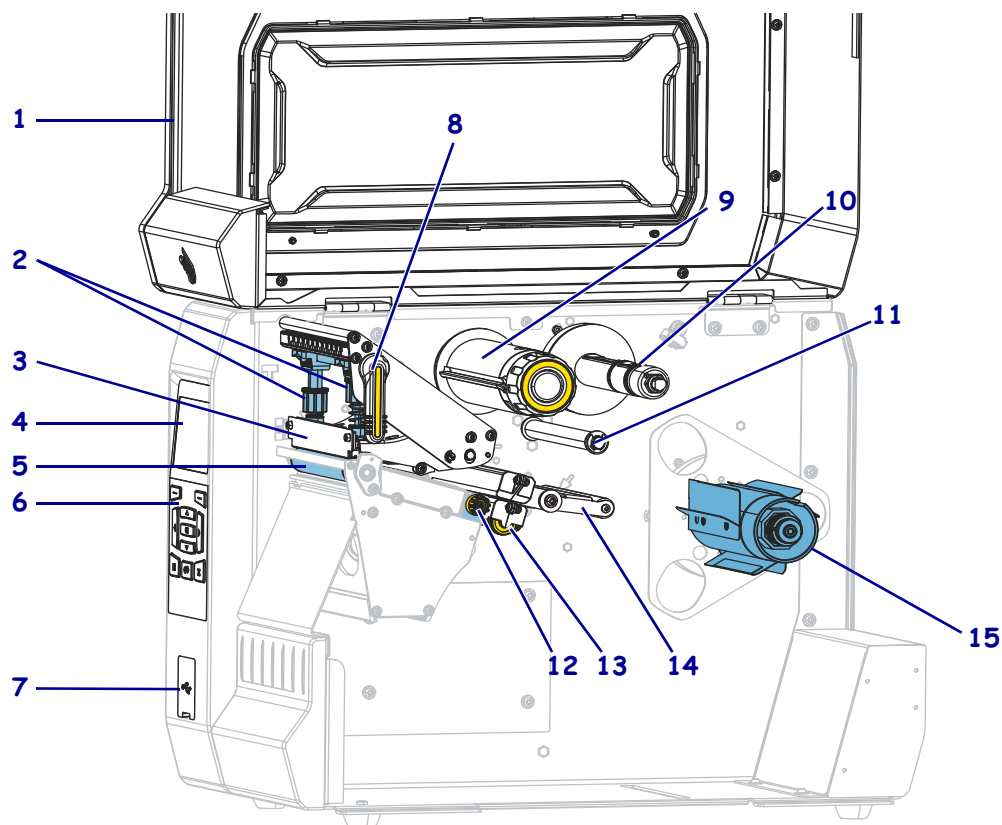


**Nota** • Los componentes dentro de su impresora están codificados por color.

- Los puntos de contacto que necesitará manejar son de color **dorado** dentro de las impresoras y están resaltados en **dorado** en las ilustraciones de este manual.
- Algunos componentes aparecerán resaltados en **celeste** en las ilustraciones de este manual por cuestiones de énfasis o claridad.

La **Figura 1** muestra los componentes que se encuentran en el interior del compartimiento de papel de la impresora estándar. Su impresora puede tener un aspecto ligeramente diferente en función del modelo y las opciones instaladas en la impresora. Los componentes etiquetados se mencionan en procedimientos a lo largo de este manual.

**Figura 1 • Componentes de la Impresora**



1	Puerta del compartimiento de papel
2	Palancas acodadas de la presión del cabezal de impresión
3	Conjunto del cabezal de impresión
4	Pantalla del panel de control
5	Rodillo portapapeles
6	Panel de control
7	Puerto USB host
8	Palanca de apertura del cabezal de impresión

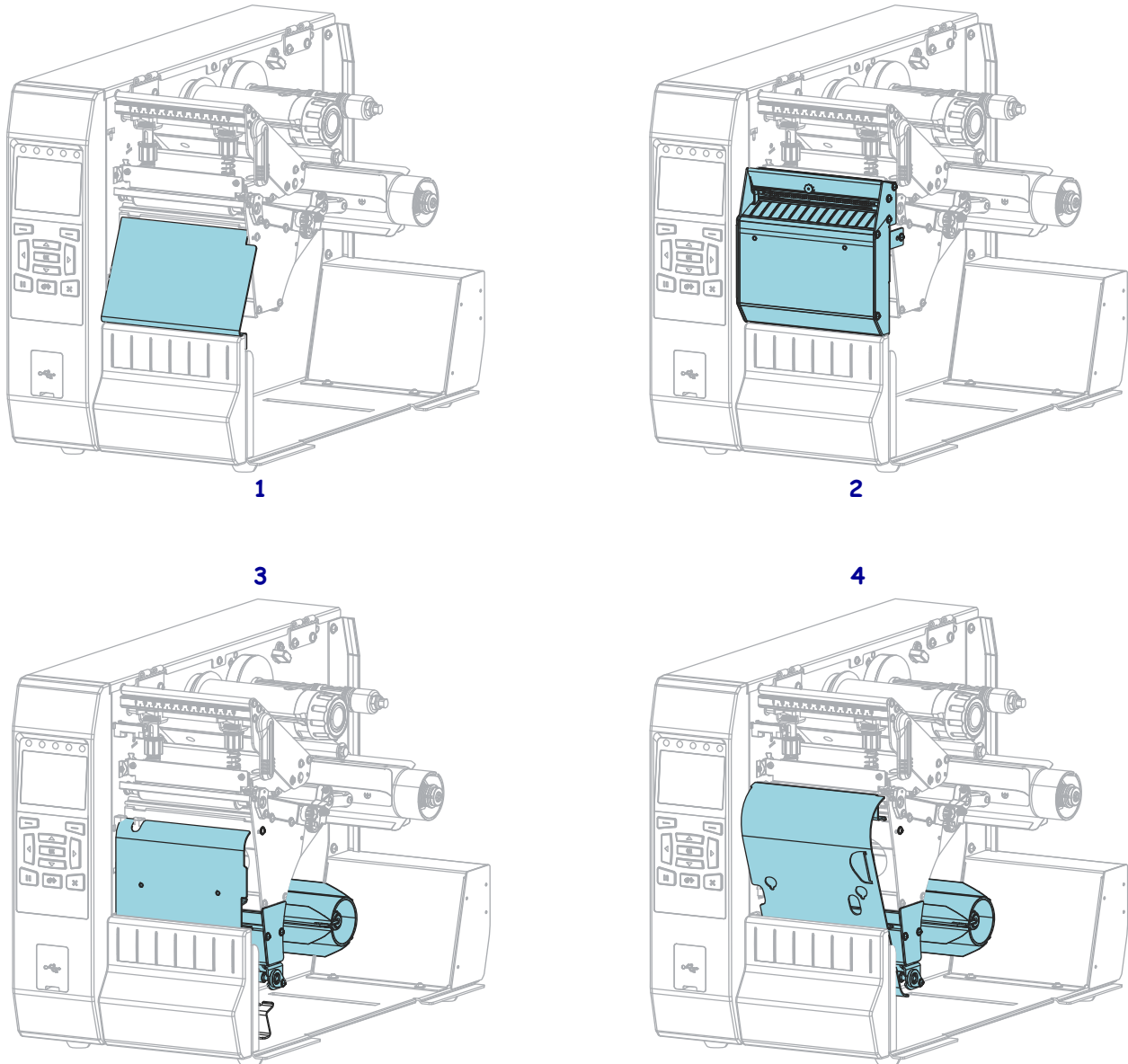
9	Rodillo de tensado de la cinta
10	Rodillo de suministro de cinta
11	Rodillo guía de la cinta
12	Perilla de ajuste de la guía del papel
13	Rueda de ajuste del sensor de papel transmisor
14	Conjunto del tensor de papel
15	Rodillo de suministro de papel



## Opciones de la impresora

Las opciones de impresora disponibles se muestran en la [Figura 2](#). Para obtener más información acerca de los modos de impresión que pueden usarse con las opciones de la impresora, consulte [Seleccionar un modo de impresión en la página 31](#).

Figura 2 • Opciones de la impresora



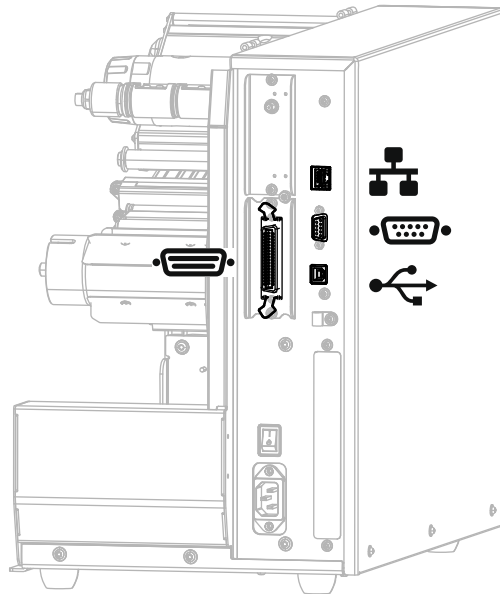
1	Corte manual (estándar)
2	Opción Cortador
3	Opción Rebobinado establecida para el modo Despegar
4	Opción Rebobinado establecida para el modo Rebobinado





## Interfaces de comunicación

En la [Figura 3](#) se muestran los conectores de las interfaces de comunicación disponibles. Es posible que su impresora no tenga todas las conexiones que se muestran aquí y que haya una opción de servidor de impresión inalámbrico ZebraNet en su impresora. Usted podrá enviar formatos de etiquetas a la impresora por cualquier interfaz de comunicación que esté disponible en el aparato.

- Para obtener información detallada sobre los tipos de conexiones disponibles, consulte [Especificaciones de la interfaz de comunicación en la página 280](#).
- Para saber cuándo y cómo debería conectar su computadora a una o varias de estas interfaces de comunicación, consulte [Instalar el controlador de la impresora y conectar la impresora a la computadora en la página 62](#).

**Figura 3 • Ubicación de las interfaces de comunicación**



	Puerto paralelo
	Servidor de impresión interno cableado Ethernet
	Puerto serie
	Puerto USB

## Cables de datos

Debe suministrar todos los cables de datos necesarios para su aplicación. Se recomienda el uso de abrazaderas de anclaje para cables.

Los cables Ethernet no requieren blindaje, pero todos los demás cables de datos deben estar totalmente blindados y equipados con cubiertas para conectores de metal o metalizadas. Los cables de datos sin blindar pueden aumentar las emisiones radiadas por encima de los límites regulados.

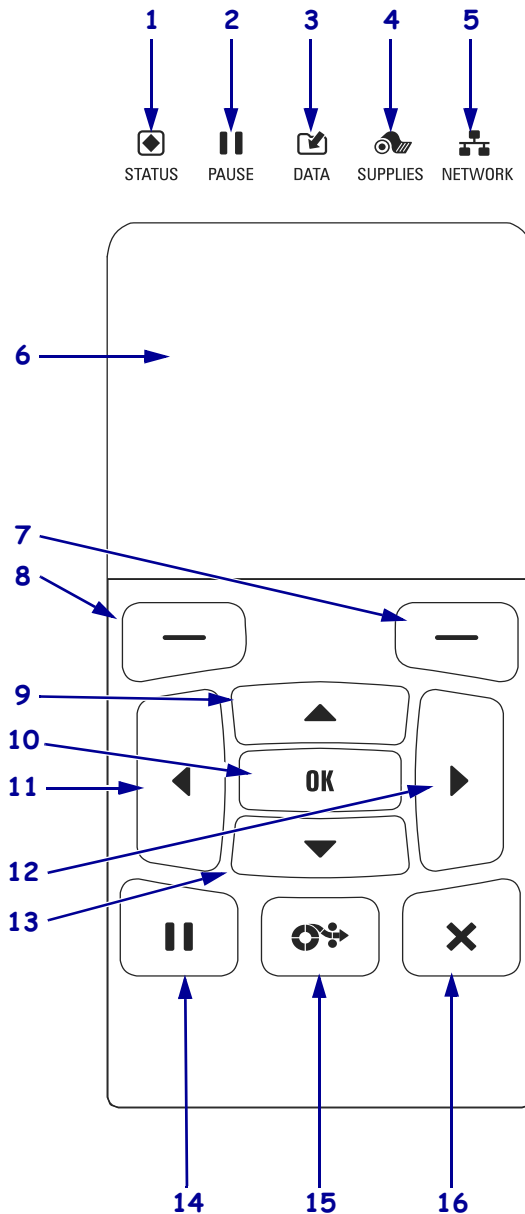
Para minimizar la captación de ruido eléctrico en el cable:

- Mantenga los cables de datos lo más cortos posible.
- No arme haces apretados de cables de datos con cables de alimentación eléctrica.
- No sujete los cables de datos a conductos de conductores eléctricos.

## Panel de control estándar

El panel de control estándar indica el estado actual de la impresora y le permite al usuario controlar la operación básica de la impresora. Un panel de control táctil a color opcional se encuentra disponible para la compra. Se describe en otra guía de usuario porque su funcionamiento es diferente.

Figura 4 • Panel de control



1	<b>Luz de STATUS (ESTADO)</b>	Estas <b>luces indicadoras</b> muestran el estado actual de la impresora. Para obtener más información, consulte <i>Luces indicadoras</i> en la página 244.
2	<b>Luz de PAUSE (PAUSA)</b>	
3	<b>Luz de DATA (DATOS)</b>	
4	<b>Luz de SUPPLIES (SUMINISTROS)</b>	
5	<b>Luz de NETWORK (RED)</b>	
6	La <b>pantalla</b> muestra el estado actual de la impresora y le permite al usuario navegar por el sistema de menús.	
7	<b>BOTÓN DE SELECCIÓN DERECHO</b>	Estos botones ejecutan los comandos que se muestran directamente encima de ellos en la pantalla.
8	<b>BOTÓN DE SELECCIÓN IZQUIERDO</b>	
9	La <b>FLECHA ARRIBA</b> cambia los valores de los parámetros. Los usos más comunes son aumentar un valor o desplazarse por las opciones.	
10	El <b>botón OK (ACEPTAR)</b> selecciona o confirma lo que se muestra en la pantalla.	
11	La <b>FLECHA A LA IZQUIERDA</b> , que está activa únicamente en el sistema de menús, navega hacia la izquierda.	
12	La <b>FLECHA A LA DERECHA</b> , que está activa únicamente en el sistema de menús, navega hacia la derecha.	
13	La <b>FLECHA ABAJO</b> cambia los valores de los parámetros. Los usos más comunes son disminuir un valor o desplazarse por las opciones.	
14	El <b>botón PAUSE (PAUSA)</b> se presiona para iniciar o detener el funcionamiento de la impresora.	
15	El <b>botón FEED (ALIMENTACIÓN)</b> obliga a la impresora a que alimente una etiqueta en blanco cada vez que se lo presiona.	
16	El <b>botón CANCEL (CANCELAR)</b> cancela los formatos de etiqueta cuando la impresora está en pausa. <ul style="list-style-type: none"> <li>• Presione una vez para cancelar el siguiente formato de etiqueta.</li> <li>• Presione y mantenga presionado durante 2 segundos para cancelar todos los formatos de etiqueta.</li> </ul>	

## Navegación por las pantallas estándar

La [Tabla 1](#) muestra lo siguiente:

- las opciones disponibles para navegar a través de las pantallas del panel de control;
- cómo seleccionar o modificar lo que aparece en pantalla.

**Tabla 1 • Navegación**

### Visualización pausa



En Visualización pausa, ([Figura 5 en la página 21](#)), presione el BOTÓN DE SELECCIÓN IZQUIERDO para ir al menú Inicio de la impresora ([Figura 6 en la página 21](#)).

### Menú inicio



Para ir de un icono a otro del menú de inicio, presione cualquier botón de FLECHA.

Cuando se selecciona un icono, se invierten sus colores para resaltarlo.



**Icono del menú  
PARÁMETROS**



**Icono del menú  
PARÁMETROS  
resaltado**



Para seleccionar el icono del menú resaltado e ingresar al menú, presione OK.



Presione el BOTÓN DE SELECCIÓN IZQUIERDO para salir del menú Inicio y regresar a Visualización pausa. La impresora regresa automáticamente a la Visualización pausa después de permanecer inactiva en el menú Inicio por 15 segundos.

Tabla 1 • Navegación (Continuación)

Menús de usuario



Presione el BOTÓN DE SELECCIÓN IZQUIERDO para regresar al menú Inicio. La impresora regresa automáticamente al menú Inicio después de permanecer inactiva en el menú del usuario por 15 segundos.



▲ y ▼ indican que se puede cambiar un valor. Todos los cambios que usted realice se guardarán automáticamente. Presione la FLECHA ARRIBA o la FLECHA ABAJO para desplazarse por los valores aceptados.

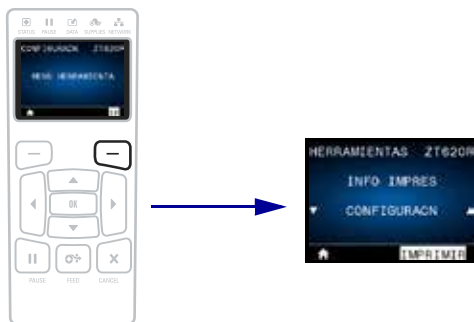


Para desplazarse por las opciones en un menú de usuario, presione la FLECHA A LA IZQUIERDA o la FLECHA A LA DERECHA.



Una palabra en la esquina inferior derecha de la pantalla indica una acción disponible. Presione OK o presione el BOTÓN DE SELECCIÓN DERECHO para realizar la acción que se muestra.

Atajos de menú



Para ir al siguiente menú de usuario, presione OK (Aceptar) o presione el BOTÓN DE SELECCIÓN DERECHO para seleccionar GO (Ir).



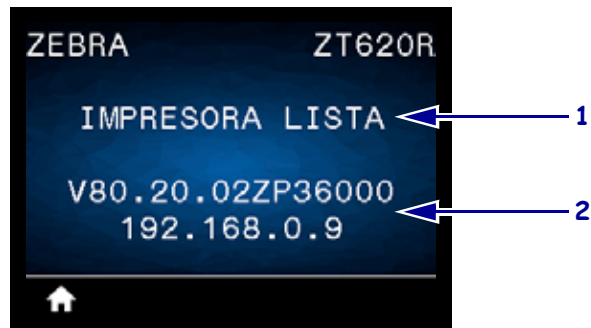
Para seguir navegando en el mismo menú de usuario, presione la FLECHA A LA IZQUIERDA o la FLECHA A LA DERECHA.


## Visualización pausa, menú Inicio y menús de usuario en la pantalla estándar

El panel de control de la impresora incluye una pantalla donde se puede ver el estado de la impresora o cambiar sus parámetros de operación. En esta sección, usted aprenderá a navegar a través del sistema de menús de la impresora y a cambiar los valores de las opciones de menú.

**Visualización pausa** Después de que la impresora haya finalizado la secuencia de desconexión y conexión, pasa a la pantalla Visual. pausa (Figura 5). La impresora muestra la versión de firmware actual y su dirección IP.

Figura 5 • Visualización pausa




<b>1</b>	Estado actual de la impresora
<b>2</b>	La versión del firmware de la impresora (línea superior) y su dirección IP (línea inferior)
	Atajo del menú de inicio

**Menú inicio** Utilice el menú de inicio (Figura 6) para acceder a los parámetros de operación de la impresora mediante los ocho menús de usuario (consulte la sección *Ajustar la configuración de la impresora en la página 102*). Haga clic en los iconos de la Figura 6 para ir a las descripciones de las opciones del menú de usuario.

Figura 6 • Menú Inicio



	Salir y regresar a Visualización pausa (Figura 5).
---	--

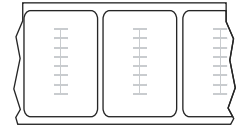
## Tipos de papel



**Importante** • Zebra recomienda firmemente el uso de suministros de marca Zebra para una impresión continua de alta calidad. Se ha diseñado específicamente una amplia gama de surtido de papel, polipropileno, poliéster y vinilo para mejorar las capacidades de impresión de la impresora y evitar un desgaste prematuro del cabezal de impresión. Para comprar suministros, vaya a <http://www.zebra.com/supplies>.

Su impresora puede utilizar distintos tipos de papel:

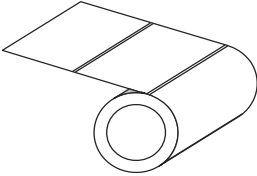
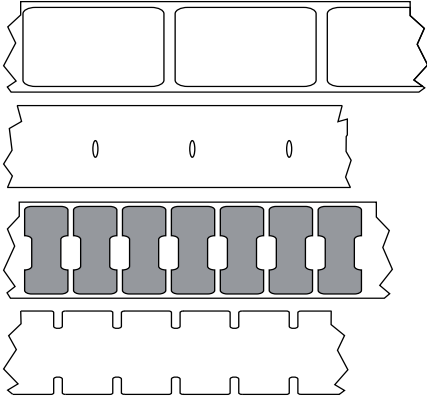
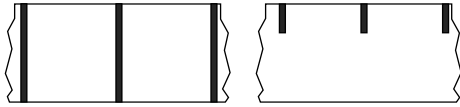

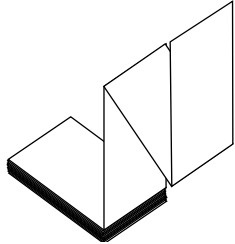
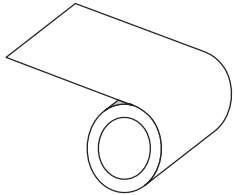
- *Papel estándar*: la mayoría de los papeles estándar utilizan un material de fondo adhesivo al cual se adhieren etiquetas individuales o una longitud continua de etiquetas a un papel protector. El papel estándar puede presentarse en rollos o en pilas de papel plegado continuo (Tabla 2).
- *Suministro de rótulos*: los rótulos generalmente se hacen de papel pesado. El suministro de rótulos no lleva ni adhesivo ni papel protector y, por lo general, está perforado entre rótulos. El suministro de rótulos puede presentarse en rollos o en pilas de papel plegado continuo (Tabla 2).
- *Papel “inteligente” para identificación por radiofrecuencia (RFID)*: el papel para RFID se puede utilizar en una impresora equipada con un lector/codificador para RFID. Las etiquetas RFID están elaboradas con los mismos materiales y adhesivos que las etiquetas que no son para RFID. Cada etiqueta tiene un transpondedor para RFID (también llamado “incrustación”), compuesto de un chip y una antena que van incrustados entre la etiqueta y el papel protector. La forma del transpondedor varía según el fabricante y es visible a través de la etiqueta. Todas las etiquetas “inteligentes” tienen una memoria que se puede leer, y muchas tienen una memoria que se puede codificar.



**Importante** • La colocación del transpondedor dentro de la etiqueta depende del tipo de transpondedor y del modelo de impresora. Asegúrese de estar utilizando el papel “inteligente” correcto para su impresora. Para obtener más información, consulte la *RFID Programming Guide 3* (Guía de programación de RFID 3). Se encuentra disponible una copia de este manual en <http://www.zebra.com/manuals> o en el CD del usuario que vino con su impresora. Para obtener más detalles sobre la colocación del transpondedor, visite <http://www.zebra.com/transponders>.



Tabla 2 • Papel de rollo y papel plegado continuo

Tipo de papel	Cómo se ve	Descripción
<p><b>Papel de rollo no continuo</b></p>		<p>El papel de rollo está bobinado en un tubo que puede tener de 25 mm a 76 mm (1 pulg. a 3 pulg.) de diámetro. Las etiquetas o rótulos individuales están separados por uno o más de los siguientes métodos:</p> <ul style="list-style-type: none"> <li>El <i>papel de banda</i> separa las etiquetas por espacios intermedios, orificios o muescas.            </li> <li>El <i>papel con marcas negras</i> utiliza marcas negras preimpresas en el dorso del papel para indicar la separación entre etiquetas.            </li> <li>El <i>papel perforado</i> tiene perforaciones que permiten que las etiquetas o los rótulos se separen unos de otros con facilidad. El papel también puede tener marcas negras u otras separaciones entre etiquetas o rótulos.            </li> </ul>
<p><b>Papel plegado no continuo</b></p>		<p>El papel plegado continuo está plegado en zigzag. El papel plegado continuo puede tener las mismas separaciones entre etiquetas que el papel de rollo no continuo. Las separaciones estarán a la altura de los pliegues o cerca de ellos.</p>
<p><b>Papel de rollo continuo</b></p>		<p>El papel de rollo está bobinado en un tubo que puede tener de 25 mm a 76 mm (1 pulg. a 3 pulg.) de diámetro.</p> <p>El papel de rollo continuo no tiene espacios intermedios, orificios, muescas ni marcas negras que indiquen la separación entre etiquetas. Esto permite que la imagen se imprima en cualquier lugar de la etiqueta. Algunas veces se utiliza un cortador para separar las etiquetas individuales.</p>

## Descripción general de la cinta

La cinta es una película delgada con uno de sus lados revestidos de cera, resina o resina de cera, que se transfiere al papel durante el proceso de transferencia térmica. La necesidad de utilizar cinta o no y el ancho que esta deba tener dependerá del papel empleado.

Cuando se utiliza cinta, su ancho deber ser igual a o mayor que el del papel en uso. Si la cinta es más angosta que el papel, ciertas áreas del cabezal de impresión quedarán sin protección y sujetas a desgaste prematuro.

### Cuándo se utiliza cinta

El papel que se utiliza en la transferencia térmica requiere cinta para imprimir, mientras que el papel que se utiliza en la impresión térmica directa no la requiere. Para determinar si se debe utilizar cinta con un papel en particular, realice una prueba de marcar el papel.

#### Para realizar una prueba de marcar el papel, lleve a cabo los siguientes pasos:

1. Marque la superficie de impresión del papel rápidamente con la uña.
2. ¿Aparece una marca negra en el papel?

Si...	El papel es para...
No aparece una marca negra en el papel	<b>Transferencia térmica.</b> Se requiere una cinta.
Aparece una marca negra en el papel	<b>Impresión térmica directa.</b> No se requiere cinta.

### Lado revestido de la cinta

La cinta se puede bobinar con el lado externo o interno revestido (Figura 7). Esta impresora solo se puede utilizar con cinta revestida del lado externo, a menos que usted compre e instale el rodillo opcional que permitirá el uso de cinta revestida del lado interno. Póngase en contacto con un revendedor de Zebra autorizado para obtener información sobre pedidos.

Si no logra determinar qué lado de un rollo de cinta en particular está revestido, realice una prueba adhesiva o una prueba de marcar la cinta para determinarlo.

Figura 7 • Cinta revestida en el lado de afuera o en el lado de adentro





## Prueba adhesiva

Si tiene etiquetas disponibles, realice la prueba adhesiva para determinar qué lado de la cinta está revestido. Este método se aplica con éxito a una cinta ya instalada.

### Para realizar una prueba adhesiva, lleve a cabo los siguientes pasos:

1. Despegue una etiqueta de su papel protector.
2. Presione una esquina del lado adhesivo de la etiqueta hacia la superficie exterior del rollo de cinta.
3. Despegue la etiqueta de la cinta.
4. Observe los resultados. ¿Se adhirió algún resto o alguna partícula de tinta de la cinta a la etiqueta?

Si...	Entonces...
Se adhirió tinta de la cinta a la etiqueta	La cinta está revestida del lado externo y <b>se puede</b> utilizar en esta impresora. 
No se adhirió tinta de la cinta a la etiqueta	La cinta está revestida del lado interno y <b>no se puede</b> utilizar en la impresora estándar. Se puede solicitar un rodillo de cinta opcional que permite el uso de cinta revestida del lado interno. Póngase en contacto con un revendedor de Zebra autorizado para obtener información sobre pedidos.   Para verificar este resultado, repita la prueba sobre la otra superficie del rollo de cinta.



## Prueba de marcar la cinta

Realice la prueba de marcar la cinta cuando no haya etiquetas disponibles.

### Para realizar una prueba de marcar la cinta, lleve a cabo los siguientes pasos:

1. Desenrolle una pequeña parte de la cinta.
2. Coloque la parte de cinta desenrollada sobre un pedazo de papel con la superficie externa de la cinta en contacto con el papel.
3. Marque la superficie interna de la cinta desenrollada con la uña.
4. Levante la cinta del papel.

5. Observe los resultados. ¿La cinta dejó una marca en el papel?

Si...	Entonces...
La cinta dejó una marca en el papel	La cinta está revestida del lado externo y <b>se puede</b> utilizar en esta impresora. 
La cinta no dejó una marca en el papel	La cinta está revestida del lado interno y <b>no se puede</b> utilizar en la impresora estándar. Se puede solicitar un rodillo de cinta opcional que permite el uso de cinta revestida del lado interno. Póngase en contacto con un revendedor de Zebra autorizado para obtener información sobre pedidos.  Para verificar este resultado, repita la prueba sobre la otra superficie del rollo de cinta.

# Configuración y funcionamiento de la impresora

Esta sección ayuda al técnico con la configuración inicial y el funcionamiento de la impresora.

## Contenido

Manejar la Impresora . . . . .	28
Desembalar e inspeccionar la Impresora . . . . .	28
Guardar la Impresora . . . . .	28
Dar servicio a la impresora . . . . .	28
Enviar la Impresora . . . . .	29
Seleccionar una ubicación para la Impresora . . . . .	30
Seleccionar un modo de impresión . . . . .	31
Cargar el papel . . . . .	32
Insertar el papel en la impresora . . . . .	32
Modo Corte manual . . . . .	35
Modo Autodespegue o modo Aplicador . . . . .	39
Modo Rebobinado . . . . .	46
Modo Cortador o modo Corte demorado . . . . .	53
Cargar la cinta . . . . .	58
Instalar el controlador de la impresora y conectar la impresora a la computadora . . . . .	62
Instalar Zebra Setup Utilities . . . . .	62
Conectar una computadora al puerto USB de la impresora . . . . .	71
Conectar una computadora al puerto serie o paralelo de la impresora . . . . .	75
Realizar una conexión con su red a través del puerto Ethernet de su impresora . . . . .	83
Conectar la impresora a su red inalámbrica . . . . .	91
Imprimir una etiqueta de prueba y realizar ajustes . . . . .	97

## Manejar la Impresora

Esta sección describe cómo manejar su impresora.

### Desembalar e inspeccionar la Impresora

Al recibir la impresora, proceda a desembalarla e inspeccionarla inmediatamente para detectar cualquier daño de envío.

- Guarde todos los materiales de embalaje.
- Revise si hay daños en las superficies exteriores.
- Levante la puerta del compartimiento del papel e inspecciónelo para detectar si hay daños en los componentes.

Si detecta daños de envío al realizar la inspección:

- Notifique de inmediato a la empresa de envío y presente un informe de los daños.
- Conserve todo el material de embalaje para la inspección de la empresa de envío.
- Notifique al revendedor autorizado de Zebra.



**Importante** • Zebra Technologies no se responsabiliza de ningún daño producido durante el envío del equipo y no reparará este daño mediante la garantía.

### Guardar la Impresora

Si no va a poner la impresora en funcionamiento inmediatamente, vuelva a embalarla con los materiales de embalaje originales. Puede guardar la impresora en las siguientes condiciones:

- Temperatura: -40 °C a 60 °C (-40 °F a 140 °F)
- Humedad relativa: 5 % a 85 % sin condensación

### Dar servicio a la impresora

Si usted experimenta alguna dificultad al utilizar la impresora, comuníquese con el personal de asistencia técnica o de sistemas de su planta. Si hay un problema con la impresora, estas personas se comunicarán con el Centro de Asistencia Global al Cliente de Zebra, a través del sitio web: <http://www.zebra.com/support>.

Cuando se comuniquen con el área de Asistencia Global al Cliente de Zebra, deberán tener a mano la siguiente información:

- Número de serie de la unidad
- Número de modelo y nombre del producto
- Número de versión del firmware

Zebra responderá por correo electrónico, teléfono o fax dentro de los plazos establecidos en los contratos de servicio. Si el Centro Global de Asistencia al Cliente de Zebra no puede resolver el problema de su impresora, es probable que usted deba entregar el equipo para su reparación; en tal caso, recibirá instrucciones específicas.

Si le compró el producto a un socio comercial de Zebra, deberá comunicarse con ese socio para obtener asistencia.

## Enviar la Impresora

Zebra no se hará responsable de ningún daño producido durante el envío del equipo si no se utiliza un contenedor de envío aprobado. Si el envío de las unidades no se efectúa correctamente, podría anularse la garantía.

Para enviar la impresora cuando es necesario:

- Apague (●) la impresora y desconecte todos los cables.
- Extraiga cualquier papel, cinta u objeto sueltos del interior de la impresora.
- Cierre el cabezal de impresión.
- Embale cuidadosamente la impresora en el contenedor original o en un contenedor alternativo adecuado para evitar daños durante el traslado. Es posible comprar un contenedor de envío a Zebra si el embalaje original se hubiera perdido o destruido.

## Selecciónar una ubicación para la Impresora

Para instalar la impresora, seleccione un lugar que cumpla con las siguientes condiciones:

- **Superficie:** la superficie donde se ubicará la impresora debe ser sólida, nivelada y de un tamaño y una resistencia suficientes para sostener la impresora.
- **Espacio:** el área donde se ubicará la impresora debe tener espacio suficiente para facilitar la ventilación y el acceso a los componentes y los conectores de la impresora. Para permitir una ventilación y una refrigeración adecuadas, deje espacio libre alrededor de la impresora.



---

**Precaución** • No coloque ningún material de relleno o amortiguación detrás o debajo de la impresora porque limita la circulación de aire y podría hacer que la impresora se recalentara.

---

- **Alimentación eléctrica:** la impresora debe estar a poca distancia de un toma de alimentación eléctrica adecuada que sea de fácil acceso.
- **Interfaces de comunicación de datos:** La impresora debe estar dentro del rango de su radio WLAN (si corresponde) o dentro de un rango aceptable para que otros conectores alcancen su fuente de datos (usualmente, una computadora). Para obtener más información sobre las longitudes máximas de cable y la configuración, consulte la sección *Especificaciones generales en la página 280*.
- **Condiciones de funcionamiento:** su impresora está diseñada para funcionar en una amplia gama de condiciones eléctricas y ambientales, como las de depósitos o fábricas. La [Tabla 3](#) muestra los requisitos de temperatura y humedad relativa para la operación de la impresora.

**Tabla 3 • Temperatura y humedad de funcionamiento**

Modo	Temperatura	Humedad relativa
Transferencia térmica	5 °C a 40 °C (40 °F a 104 °F)	20 % a 85 % sin condensación
Térmica directa	0 °C a 40 °C (32 °F a 104 °C)	



## Seleccionar un modo de impresión

Utilice un modo de impresión que coincida con el papel que se está utilizando y con las opciones disponibles de la impresora. La trayectoria del papel es la misma para el papel de rollo y el papel plegado continuo. Para configurar la impresora a fin de que utilice un modo de impresión disponible, consulte *MODO IMPRESIÓN* en la página 110.

**Tabla 4 • Modos de impresión y opciones de la impresora**

Print Mode (Modo de impresión)	Descripción
CORTE MAN.	<i>Este modo (predeterminado) se puede utilizar con cualquiera de las opciones de la impresora y con la mayoría de los tipos de papel.</i> La impresora imprime formatos de etiquetas a medida que los recibe. El operador de la impresora puede arrancar las etiquetas impresas en cualquier momento después de la impresión.
AUTODESPEGUE	<i>Este modo se puede utilizar si la impresora tiene una opción de rebobinado.</i> La impresora despega la etiqueta del papel protector durante la impresión y luego hace una pausa hasta que se extrae la etiqueta. El papel protector está bobinado en el rodillo de rebobinado sin utilizar la placa de rebobinado.
REBOBINADO	<i>Este modo solo se puede utilizar si la impresora tiene una opción de rebobinado.</i> La impresora imprime sin pausas entre etiquetas. El papel se enrolla en un tubo después de la impresión. La placa de rebobinado se utiliza para impedir que las etiquetas se despeguen del papel protector.
AUTODESPEGUE	<i>Este modo solo se puede utilizar si la impresora tiene una opción de cortador.</i> La impresora corta el papel entre las etiquetas después de imprimir cada una.
CORTE DEMORADO	<i>Este modo solo se puede utilizar si la impresora tiene una opción de cortador.</i> La impresora espera un comando ZPL de corte demorado (~JK) antes de cortar la última etiqueta impresa.
DESPEGAR PAPEL NO RECUBIERTO*	* Reservado para uso futuro.
REBOBINAR PAPEL NO RECUBIERTO*	
CORTE MANUAL PAPEL NO RECUBIERTO*	
APLICADOR	<i>Este modo se utiliza con una máquina que aplica etiquetas.</i> La impresora imprime cuando recibe una señal desde el aplicador. Consulte la sección Información para usuarios avanzados del Manual de mantenimiento para obtener más información sobre la interfaz del aplicador.

## Cargar el papel

Siga las instrucciones que se proporcionan en esta sección para cargar el papel plegado continuo o de rollo en el modo de impresión que corresponda, según sus necesidades.

---

**Precaución** • Cuando realice cualquier tarea cerca de un cabezal de impresión abierto, quítese anillos, relojes, collares, placas de identificación u otros objetos metálicos que puedan tocar el cabezal de impresión. No es necesario que desconecte la alimentación eléctrica de la impresora cuando trabaje cerca de un cabezal de impresión abierto, pero Zebra se lo recomienda como precaución. Si desconecta la alimentación eléctrica, perderá toda la configuración temporal como formatos de etiquetas, y debe volver a cargarlos antes de reanudar la impresión.

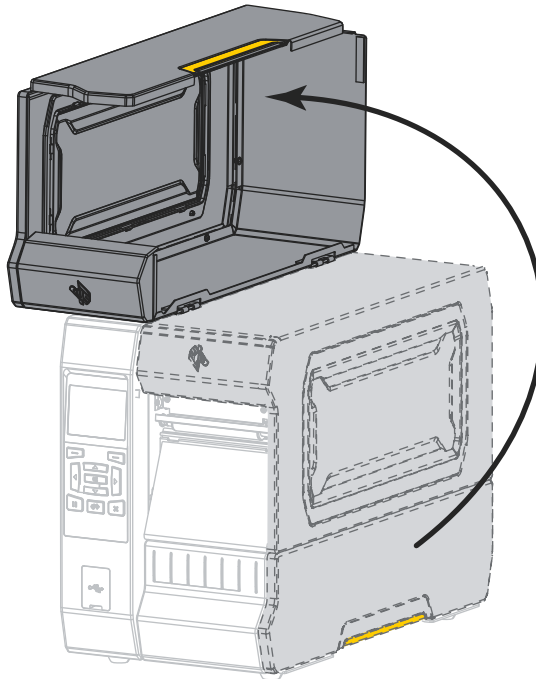
---

## Insertar el papel en la impresora

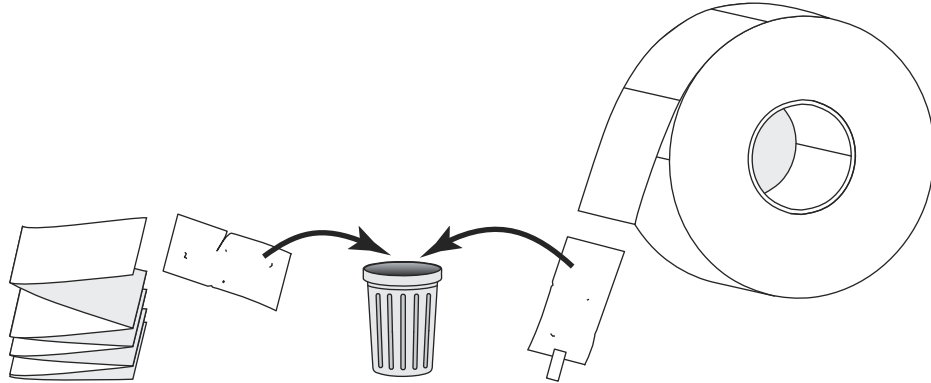
La mayoría de las ilustraciones de esta sección muestran papel de rollo, porque la trayectoria de carga de este tipo de papel es la misma que la del papel plegado continuo.

### Para cargar el papel, lleve a cabo los siguientes pasos:

1. Levante la puerta del compartimiento del papel.



2. Extraiga y deseche cualquier etiqueta o rótulo que esté roto o sucio, o que esté retenido por adhesivos o cinta.

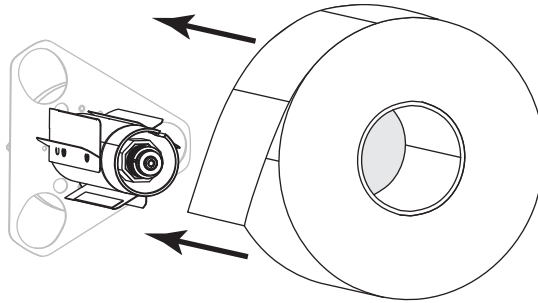


3. Inserte el papel plegado continuo o de rollo en la impresora.



### Papel de rollo

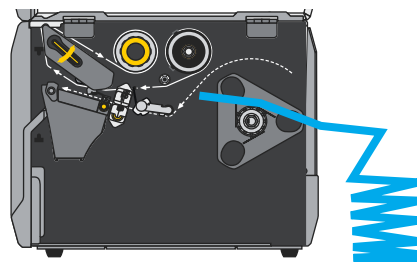
Coloque el rollo de papel en el rodillo de suministro de papel. Empuje el rollo hacia la parte posterior tanto como sea posible.



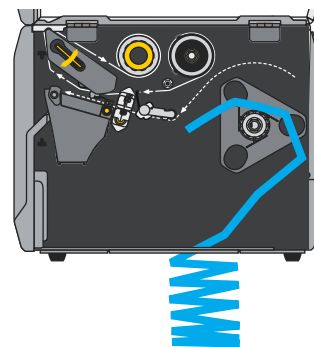
### Papel plegado continuo

El papel plegado continuo se puede almacenar debajo o detrás de la impresora. Cargue el papel desde atrás o a través de la ranura de acceso inferior, según el lugar donde se almacene el papel.

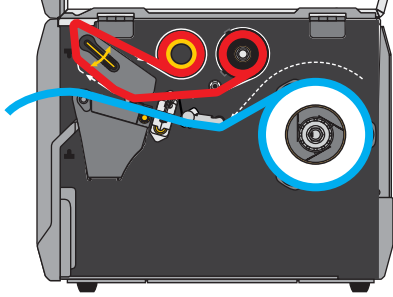
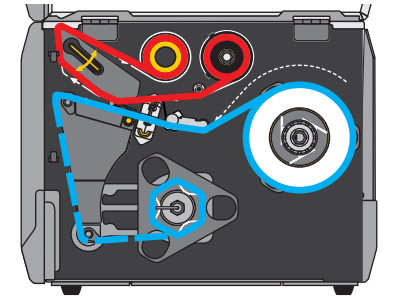
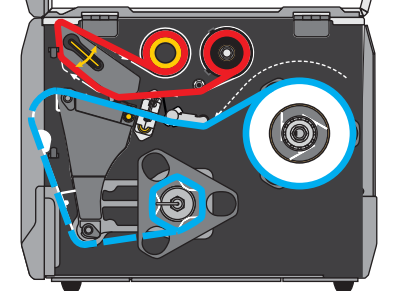
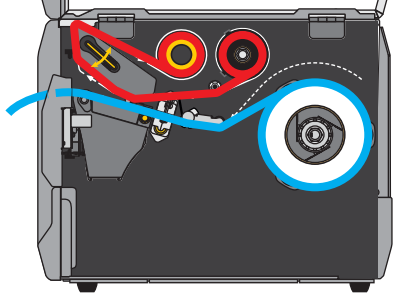
#### Alimentación posterior



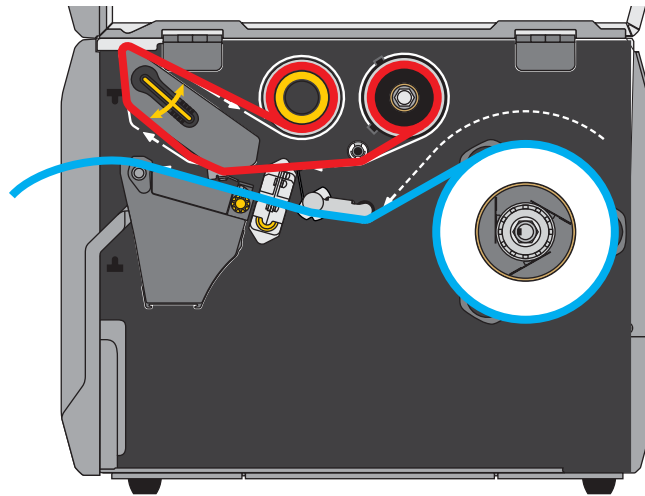
#### Alimentación inferior



4. ¿En qué modo de impresión funcionará su impresora? (Para obtener más información sobre los modos de impresión, consulte la sección *Seleccionar un modo de impresión* en la página 31).

Si está utilizando...	Entonces...
<p data-bbox="435 394 584 420">CORTE MAN.</p> 	<p data-bbox="1006 394 1412 457">Continúe con el <i>Modo Corte manual</i> en la página 35.</p>
<p data-bbox="435 756 787 781">AUTODESPEGUE o APLICADOR</p> 	<p data-bbox="1006 756 1412 850">Continúe con el <i>Modo Autodespegue o modo Aplicador</i> en la página 39.</p>
<p data-bbox="435 1113 592 1138">REBOBINADO</p> 	<p data-bbox="1006 1113 1412 1176">Continúe con el <i>Modo Rebobinado</i> en la página 46.</p>
<p data-bbox="435 1470 803 1495">CORTADOR o CORTE DEMORADO</p> 	<p data-bbox="1006 1470 1412 1564">Continúe con el <i>Modo Cortador o modo Corte demorado</i> en la página 53.</p>

## Modo Corte manual

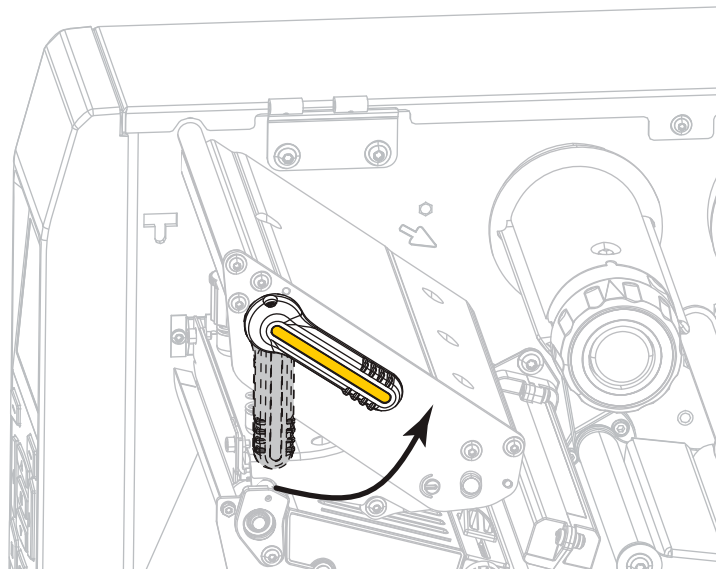


1. Si no lo ha hecho todavía, siga las instrucciones que figuran en la sección *Insertar el papel en la impresora en la página 32*

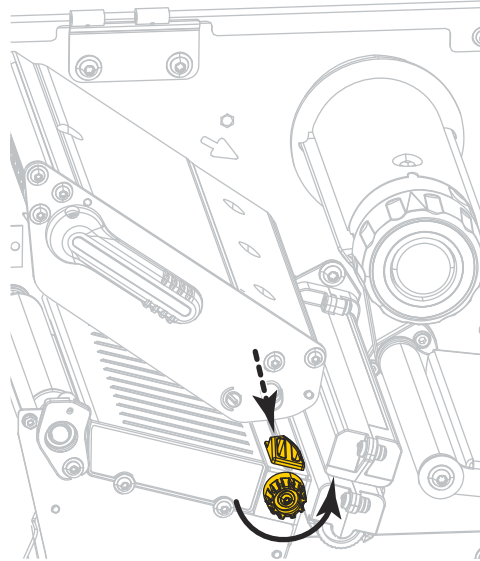


2. **Precaución** • El cabezal de impresión podría estar caliente y causar quemaduras graves. Deje enfriar el cabezal de impresión.

Abra el conjunto del cabezal de impresión girando hacia arriba la palanca de apertura del cabezal de impresión.

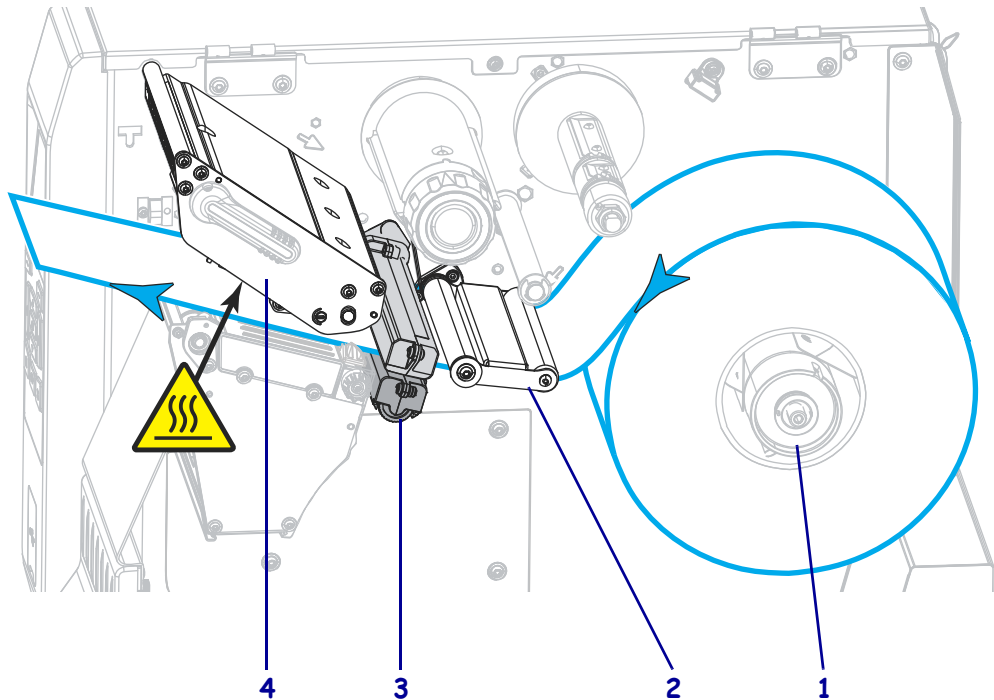


3. Gire la perilla de ajuste de la guía del papel como se indica en la imagen hasta que la guía del papel se haya deslizado por completo.

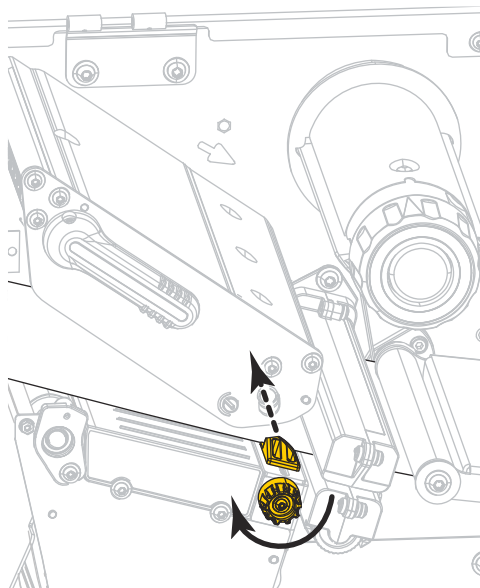


4. **Precaución** • El cabezal de impresión podría estar caliente y causar quemaduras graves. Deje enfriar el cabezal de impresión.

Desde el rodillo de papel (1), coloque el papel por debajo del conjunto del tensor (2), a través del sensor de papel (3) y por debajo del conjunto del cabezal de impresión (4). Deslice el papel hacia atrás hasta que toque la pared posterior interna del sensor de papel.



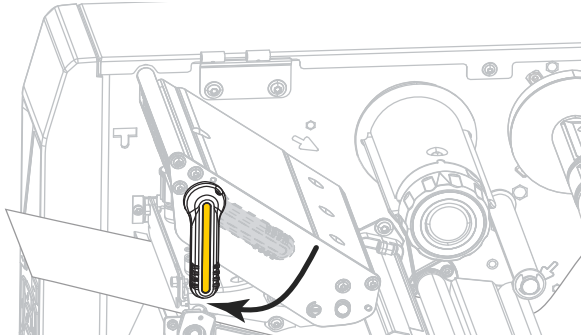
5. Gire la perilla de ajuste de la guía del papel como se indica en la imagen hasta que la guía toque apenas el borde del papel.



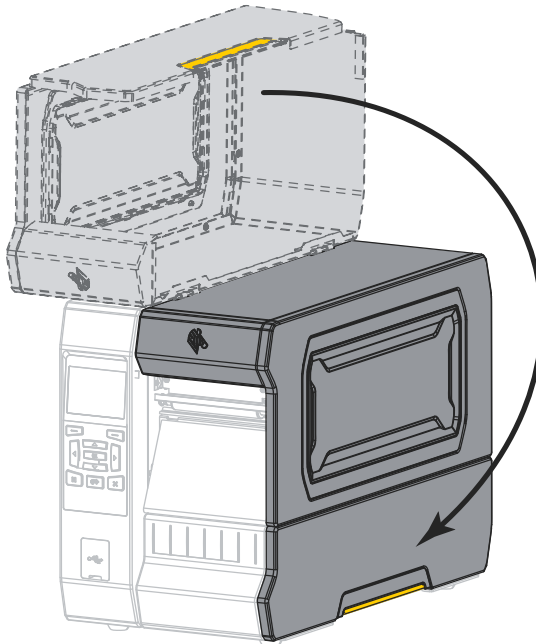
6. ¿El papel que se utiliza requiere cinta para imprimir? Si no está seguro, consulte [Cuándo se utiliza cinta en la página 24](#).

Si está utilizando...	Entonces...
Papel para impresión térmica directa (no se requiere cinta)	Continúe con el <a href="#">paso 7</a> .
Papel de transferencia térmica (se requiere cinta)	<ol style="list-style-type: none"> <li>Si no lo ha hecho todavía, cargue la cinta en la impresora. Consulte <a href="#">Cargar la cinta en la página 58</a>.</li> <li>Continúe con el <a href="#">paso 7</a>.</li> </ol>

7. Gire hacia abajo la palanca de apertura del cabezal de impresión hasta que este quede fijo en posición.



8. Cierre la puerta del compartimiento del papel.

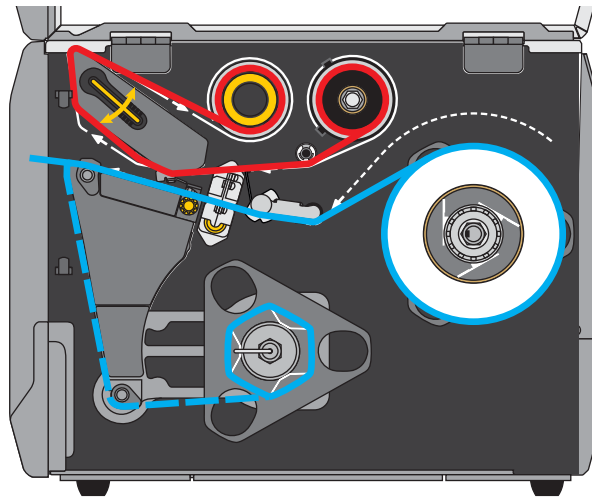


9. Configure la impresora en el modo de impresión que corresponda (consulte [MODO IMPRESIÓN](#) en la página 110).
10. Presione PAUSE (PAUSA) para salir del modo de pausa y activar la impresión.  
La impresora puede realizar una calibración de etiqueta o cargar una etiqueta según la configuración.
11. Para obtener mejores resultados, calibre la impresora. Consulte [Calibrar los sensores de cinta y de papel](#) en la página 193.
12. Si lo desea, imprima una configuración u otra etiqueta para verificar que su impresora pueda imprimir. (Consulte [INFO IMPRES](#) en la página 119).

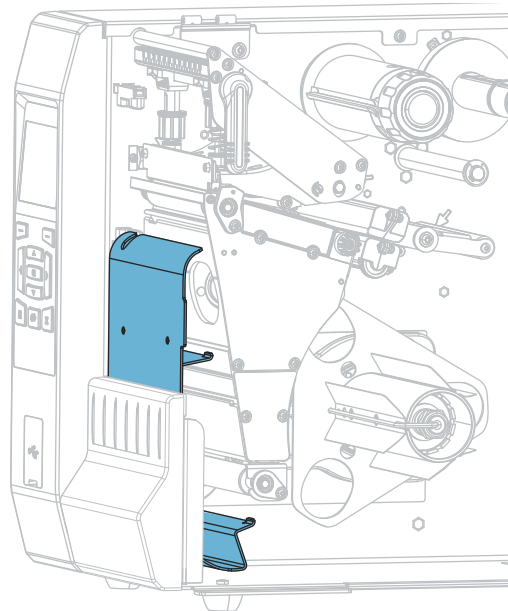
**La carga del papel en el modo Corte manual está completa.**



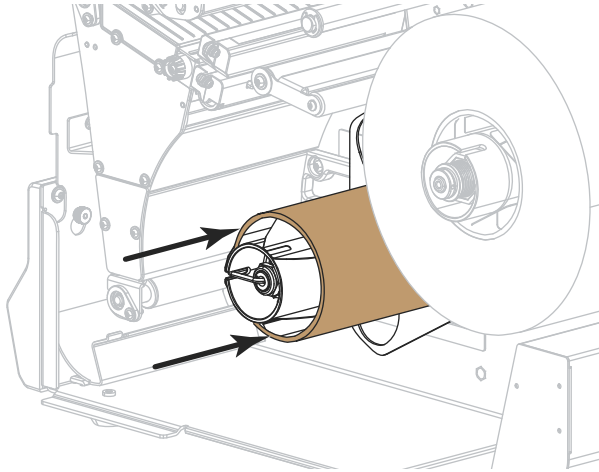
## Modo Autodespegue o modo Aplicador



1. Si no lo ha hecho todavía, siga las instrucciones que figuran en la sección *Insertar el papel en la impresora* en la página 32
2. Si es necesario, instale la placa de rebobinado/tensado del papel protector en la posición de autodespegue, como se muestra. Consulte *Instalar la placa de rebobinado/tensado del papel protector* en la página 208 para obtener instrucciones.

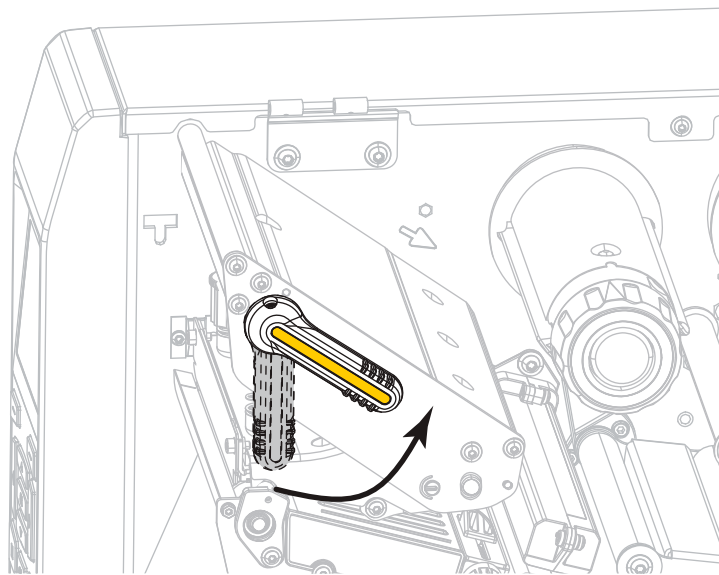


3. Si lo desea, deslice un tubo sobre el rodillo de rebobinado hasta que quede nivelado con la placa guía. No es necesario utilizar un tubo para el tensado del papel protector.

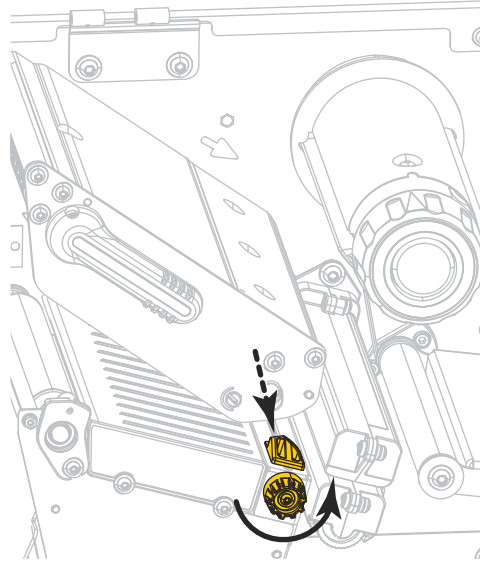


4. **Precaución** • El cabezal de impresión podría estar caliente y causar quemaduras graves. Deje enfriar el cabezal de impresión.

Abra el conjunto del cabezal de impresión girando hacia arriba la palanca de apertura del cabezal de impresión.

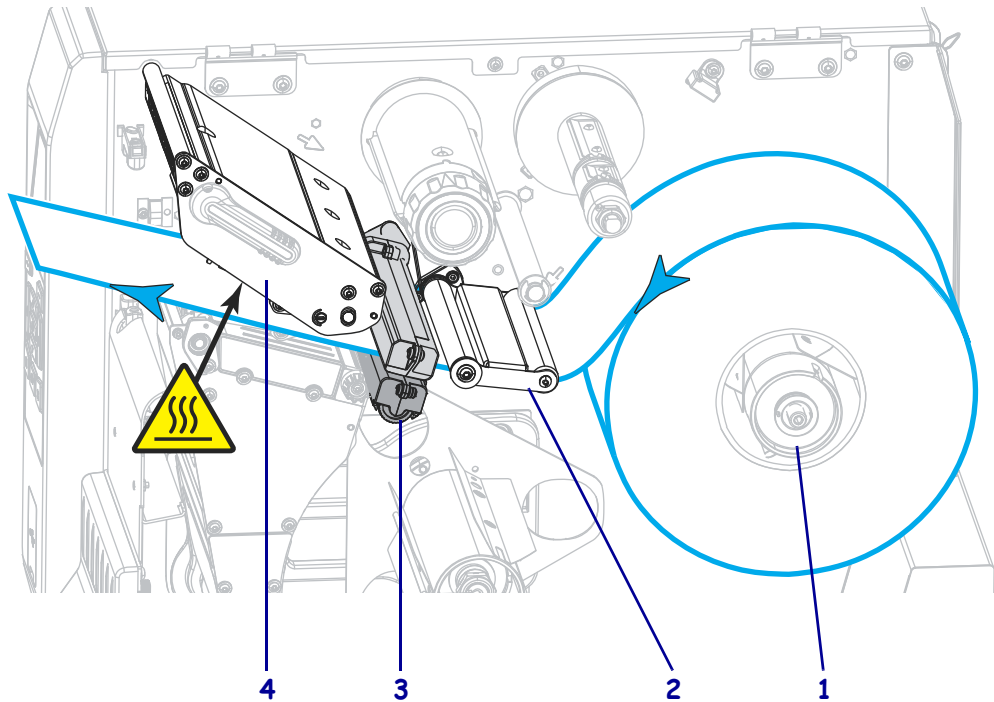


5. Gire la perilla de ajuste de la guía del papel como se indica en la imagen hasta que la guía del papel se haya deslizado por completo.

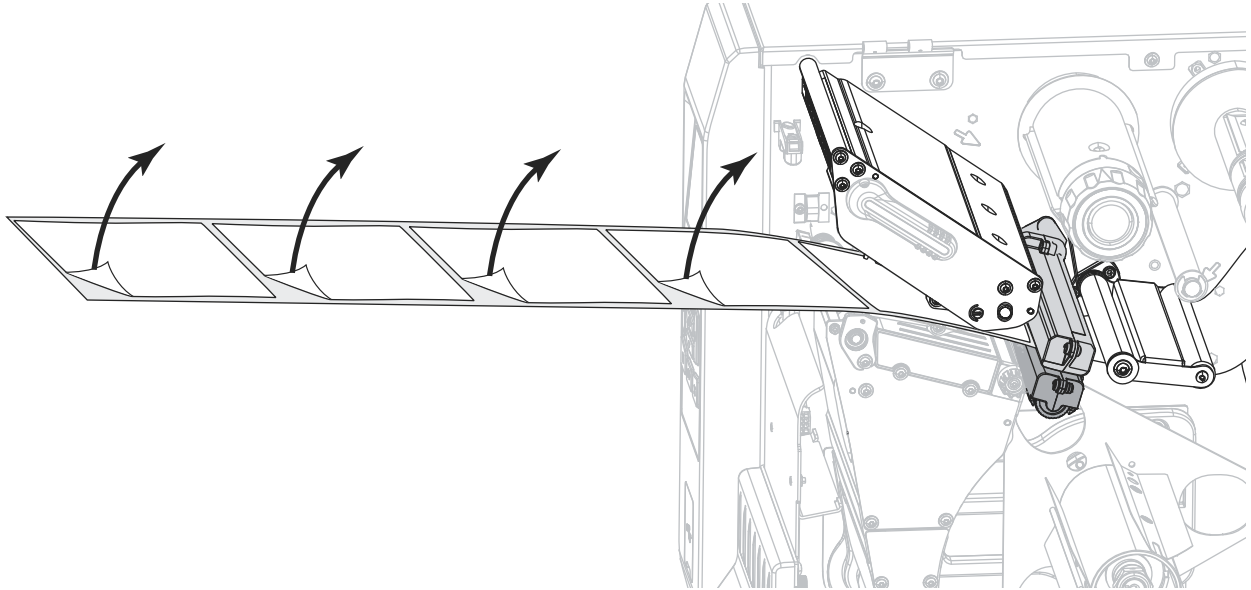


6. **Precaución** • El cabezal de impresión podría estar caliente y causar quemaduras graves. Deje enfriar el cabezal de impresión.

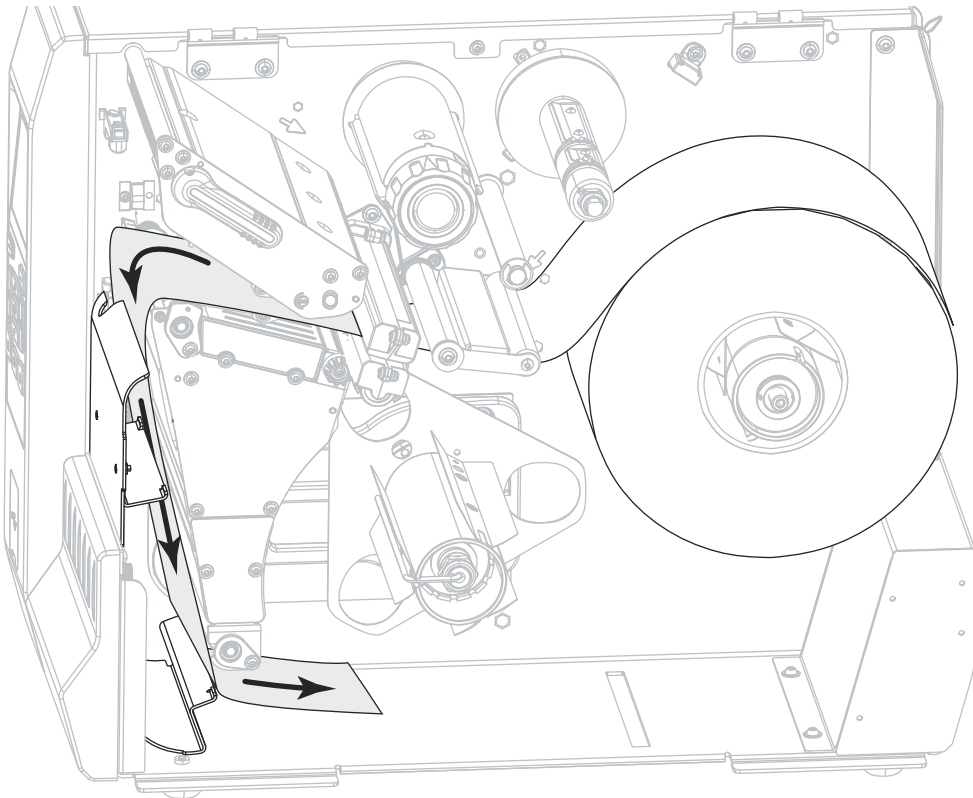
Desde el rodillo de papel (1), coloque el papel por debajo del conjunto del tensor (2), a través del sensor de papel (3) y por debajo del conjunto del cabezal de impresión (4). Deslice el papel hacia atrás hasta que toque la pared posterior interna del sensor de papel.



7. Haga pasar aproximadamente 500 mm (18 pulg.) de papel fuera de la impresora. Quite y deseche las etiquetas de este papel descubierto, dejando solo el papel protector.

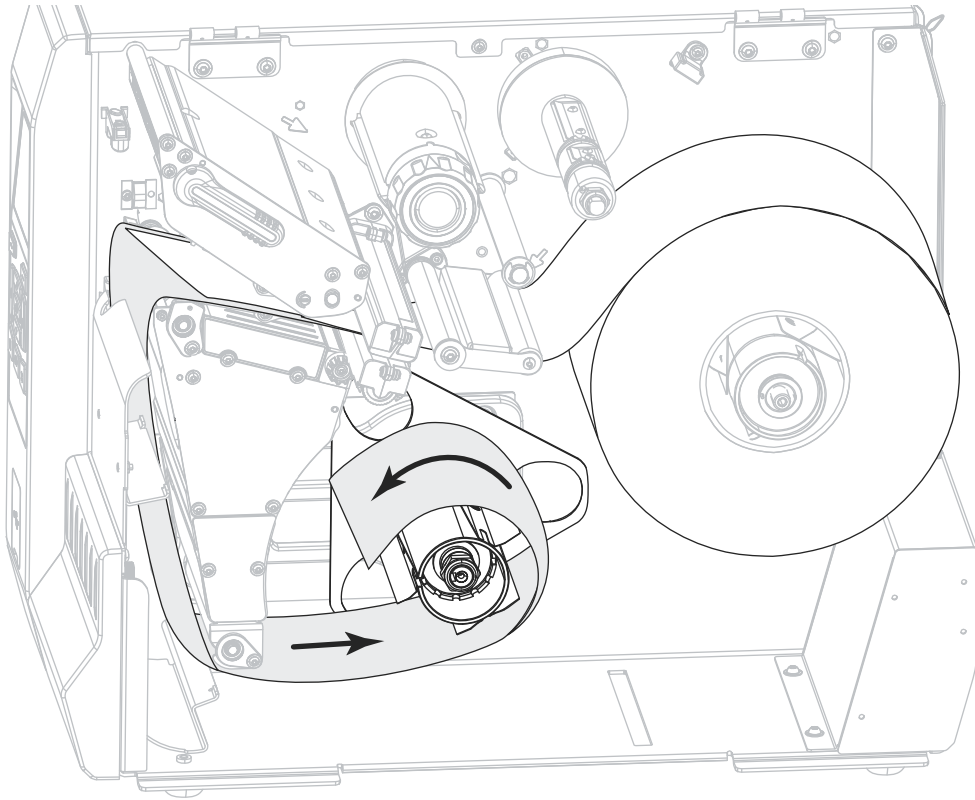


8. Coloque el papel protector detrás de la placa de rebobinado/tensado del papel protector.

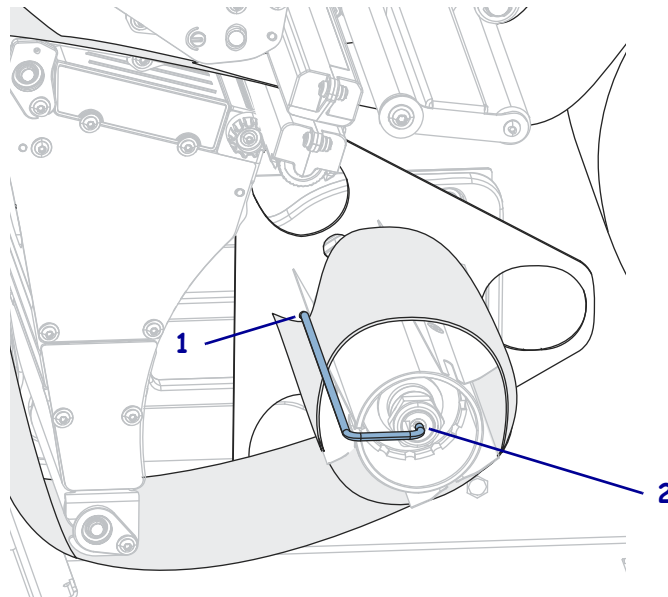


9. Extraiga el gancho del rodillo de rebobinado.

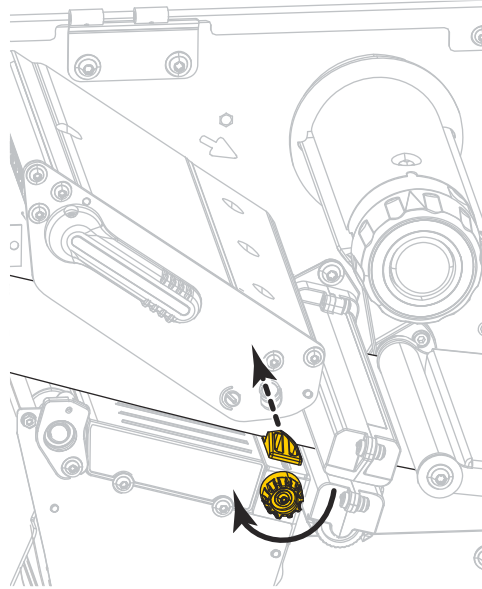
10. Enrolle el papel protector en el rodillo de rebobinado como se muestra. Gire el rodillo de rebobinado varias veces para apretar el papel protector y eliminar cualquier holgura.



11. Vuelva a instalar el gancho del rodillo de rebobinado sobre el papel protector. Inserte el extremo largo del gancho en el orificio pequeño de la placa guía (1). Inserte el extremo corto del gancho en el orificio en el centro de la tuerca de ajuste (2).



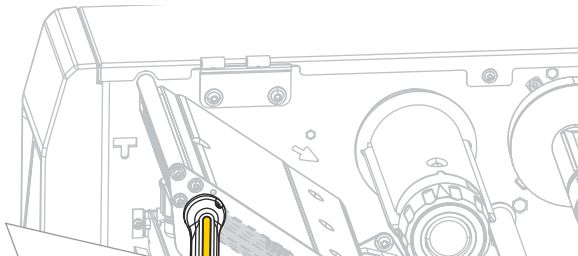
12. Gire la perilla de ajuste de la guía del papel como se indica en la imagen hasta que la guía toque apenas el borde del papel.



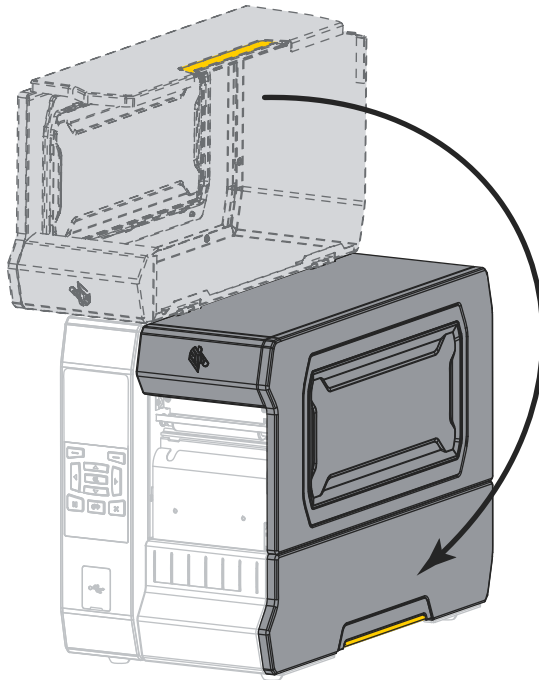
13. ¿El papel que se utiliza requiere cinta para imprimir? Si no está seguro, consulte [Cuándo se utiliza cinta en la página 24](#).

Si está utilizando...	Entonces...
Papel para impresión térmica directa (no se requiere cinta)	Continúe con el <a href="#">paso 14</a> .
Papel de transferencia térmica (se requiere cinta)	<b>a.</b> Si no lo ha hecho todavía, cargue la cinta en la impresora. Consulte <a href="#">Cargar la cinta en la página 58</a> . <b>b.</b> Continúe con el <a href="#">paso 14</a> .

14. Gire hacia abajo la palanca de apertura del cabezal de impresión hasta que este quede fijo en posición.



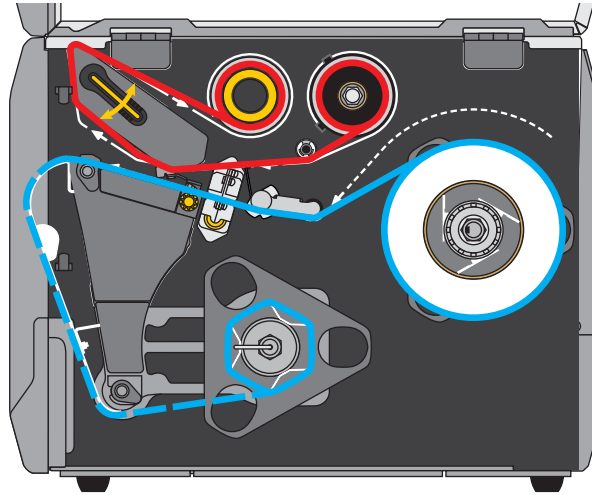
15. Cierre la puerta del compartimiento del papel.



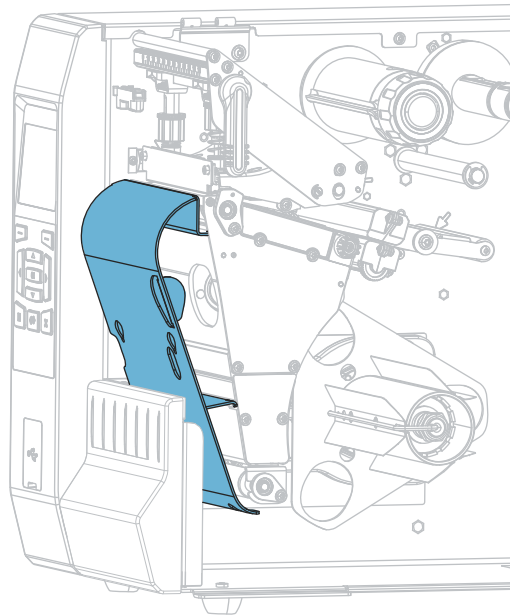
16. Configure la impresora en el modo de impresión apropiado (para obtener más información, consulte la sección *MODO IMPRESIÓN* en la página 110).
17. Presione PAUSE (PAUSA) para salir del modo de pausa y activar la impresión.  
La impresora puede realizar una calibración de etiqueta o cargar una etiqueta según la configuración.
18. Para obtener mejores resultados, calibre la impresora. Consulte *Calibrar los sensores de cinta y de papel* en la página 193.
19. Si lo desea, imprima una configuración u otra etiqueta para verificar que su impresora pueda imprimir. (Consulte *INFO IMPRES* en la página 119).

**La carga de papel en modo Autodespegue está completa.**

## Modo Rebobinado

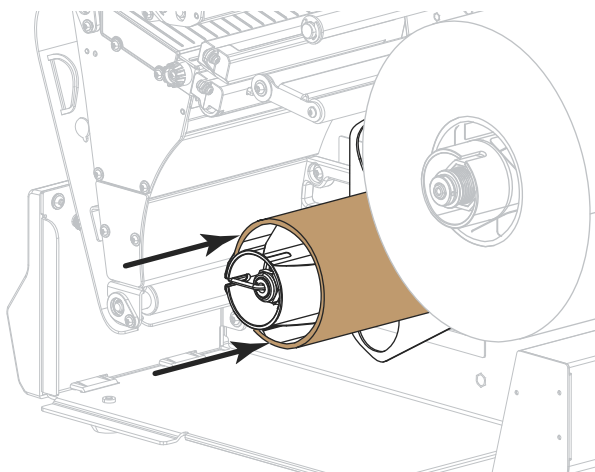


1. Si no lo ha hecho todavía, siga las instrucciones que figuran en la sección *Insertar el papel en la impresora en la página 32*
2. Si es necesario, instale la placa de rebobinado/tensado del papel protector en la posición de rebobinado, como se muestra. Consulte *Instalar la placa de rebobinado/tensado del papel protector en la página 208* para obtener instrucciones.



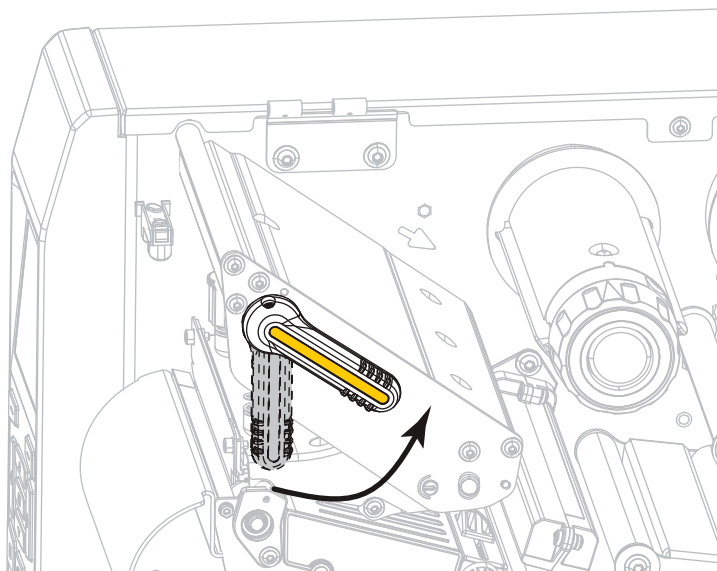


3. Deslice un tubo sobre el rodillo de rebobinado hasta que quede nivelado con la placa guía.

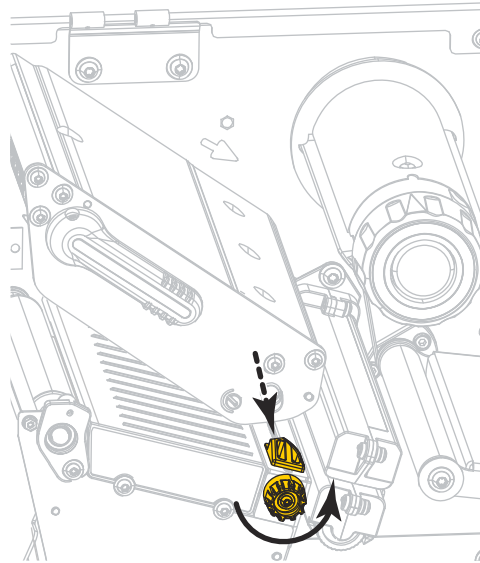


4. **Precaución** • El cabezal de impresión podría estar caliente y causar quemaduras graves. Deje enfriar el cabezal de impresión.

Abra el conjunto del cabezal de impresión girando hacia arriba la palanca de apertura del cabezal de impresión.

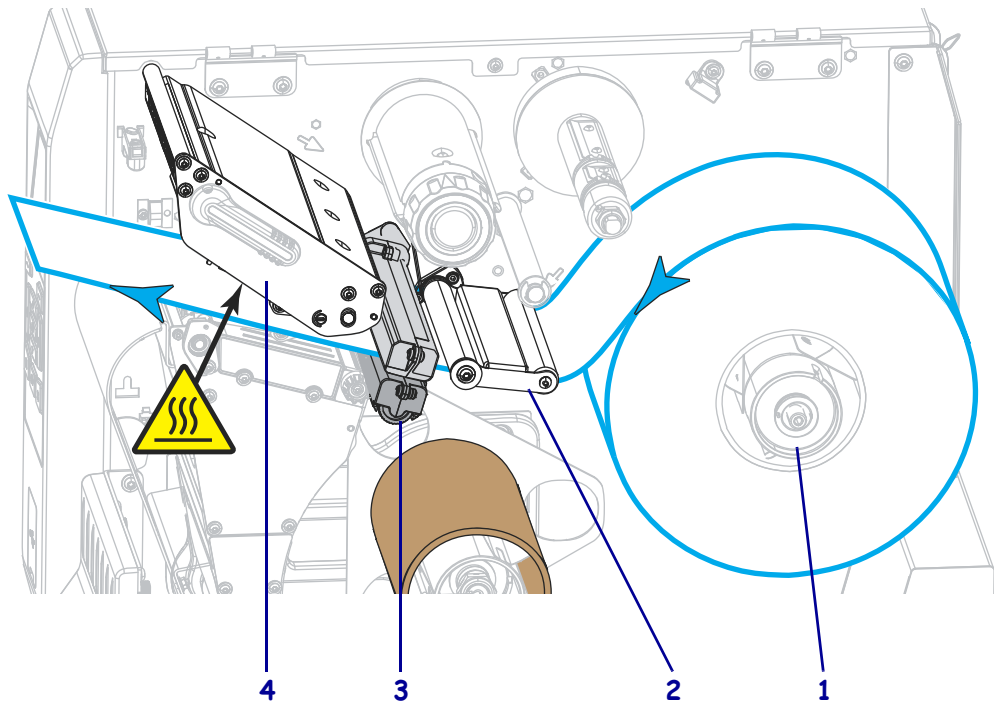


5. Gire la perilla de ajuste de la guía del papel como se indica en la imagen hasta que la guía del papel se haya deslizado por completo.

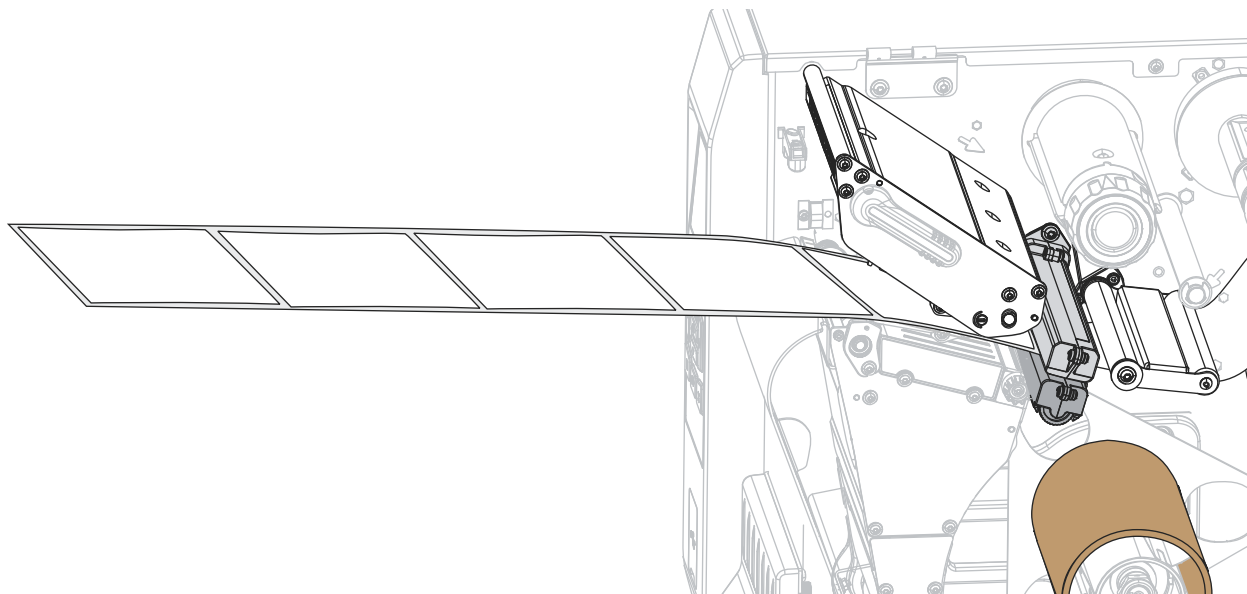


6. **Precaución** • El cabezal de impresión podría estar caliente y causar quemaduras graves. Deje enfriar el cabezal de impresión.

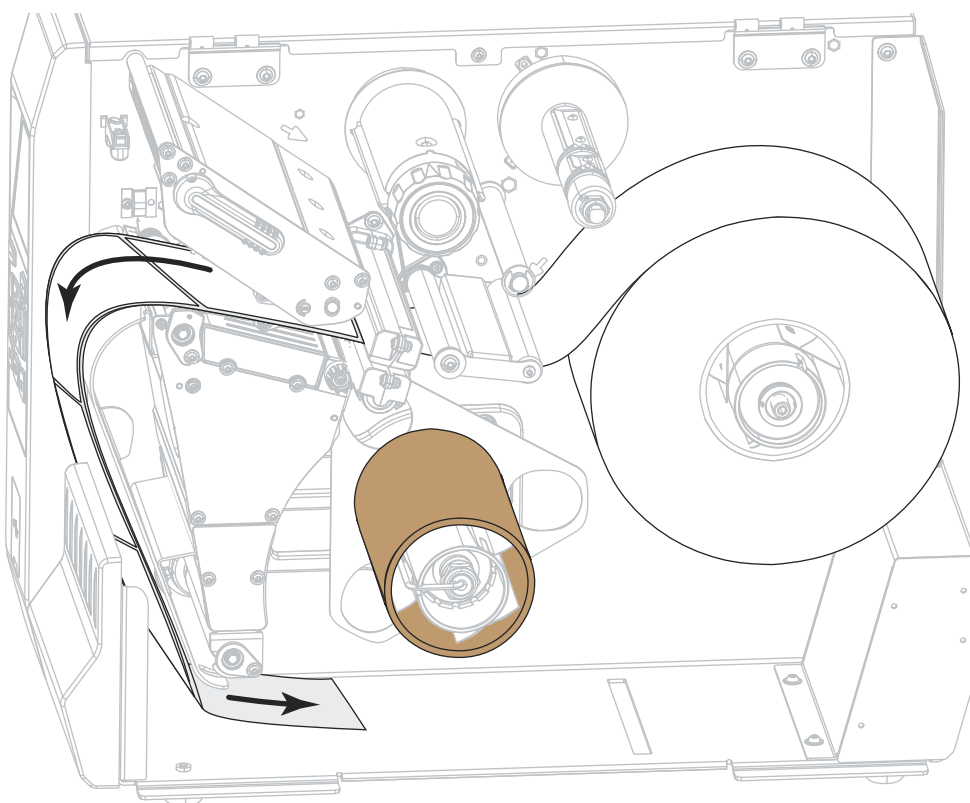
Desde el rodillo de papel (1), coloque el papel por debajo del conjunto del tensor (2), a través del sensor de papel (3) y por debajo del conjunto del cabezal de impresión (4). Deslice el papel hacia atrás hasta que toque la pared posterior interna del sensor de papel.



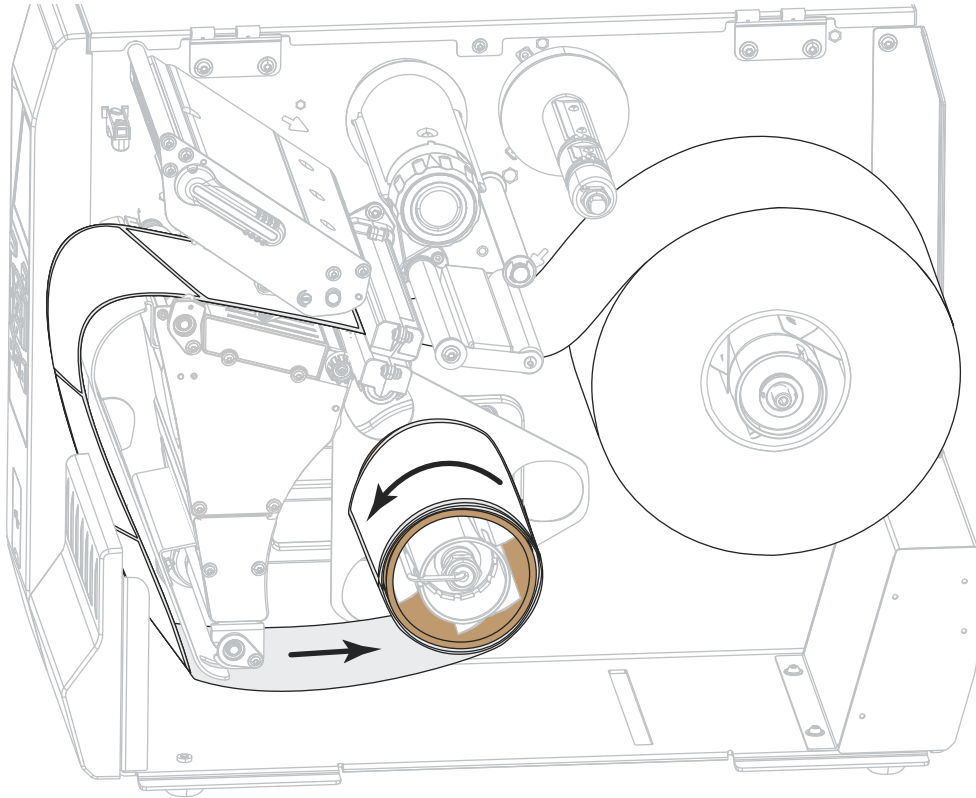
7. Haga pasar aproximadamente 500 mm (18 pulg.) de papel fuera de la impresora.



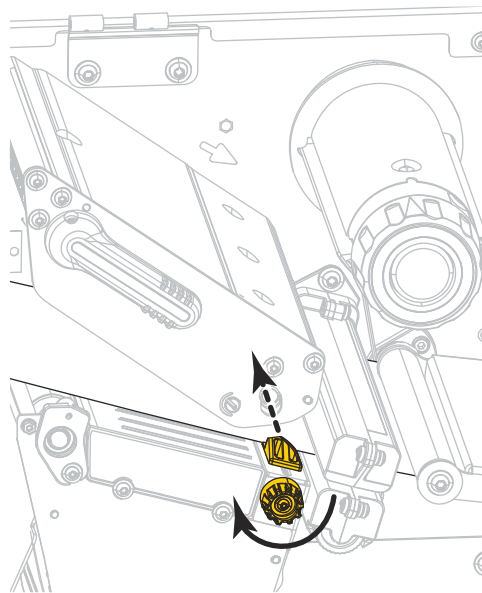
8. Coloque el papel sobre la placa de rebobinado/tensado del papel protector.



9. Enrolle el papel en el rodillo de rebobinado como se muestra. Gire el rodillo de rebobinado varias veces para apretar el papel y eliminar cualquier holgura.



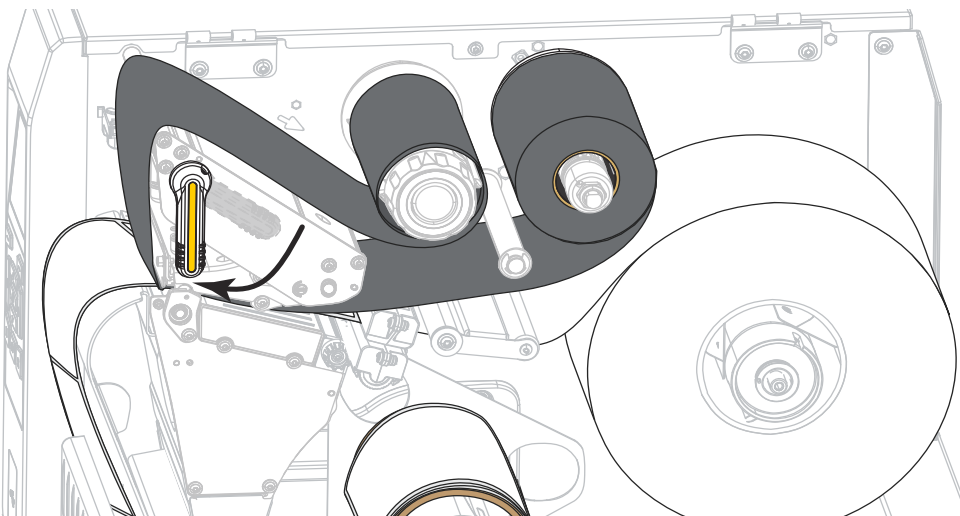
10. Gire la perilla de ajuste de la guía del papel como se indica en la imagen hasta que la guía toque apenas el borde del papel.



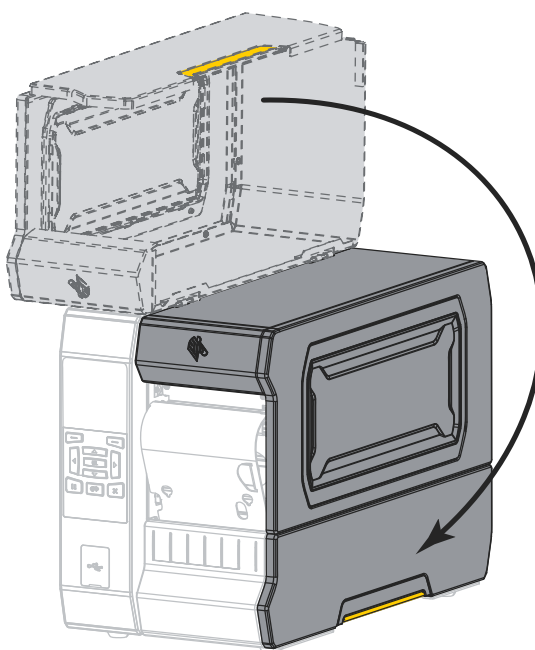
11. ¿El papel que se utiliza requiere cinta para imprimir? Si no está seguro, consulte *Cuándo se utiliza cinta en la página 24*.

Si está utilizando...	Entonces...
Papel para impresión térmica directa (no se requiere cinta)	Continúe con el <a href="#">paso 12</a> .
Papel de transferencia térmica (se requiere cinta)	<p><b>a.</b> Si no lo ha hecho todavía, cargue la cinta en la impresora. Consulte <i>Cargar la cinta en la página 58</i>.</p> <p><b>b.</b> Continúe con el <a href="#">paso 12</a>.</p>

12. Gire hacia abajo la palanca de apertura del cabezal de impresión hasta que este quede fijo en posición.



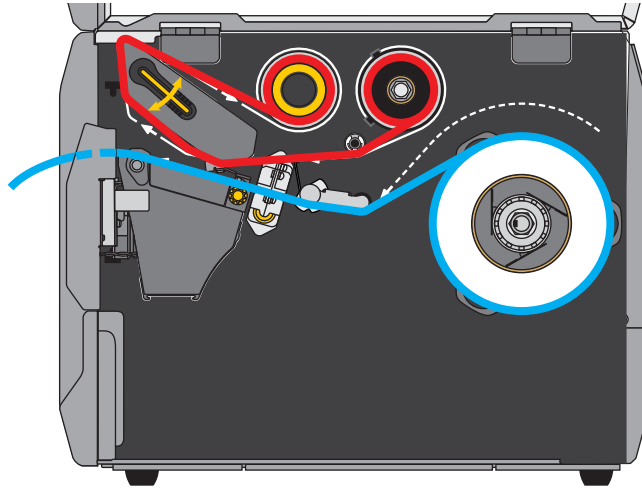
13. Cierre la puerta del compartimiento del papel.



14. Configure la impresora en el modo Rebobinado (para obtener más información, consulte la sección *MODO IMPRESIÓN en la página 110*).
15. Presione PAUSE (PAUSA) para salir del modo de pausa y activar la impresión.  
La impresora puede realizar una calibración de etiqueta o cargar una etiqueta según la configuración.
16. Para obtener mejores resultados, calibre la impresora. Consulte *Calibrar los sensores de cinta y de papel en la página 193*.
17. Si lo desea, imprima una configuración u otra etiqueta para verificar que su impresora pueda imprimir. (Consulte *INFO IMPRES en la página 119*).

**La carga del papel en el modo Rebobinado está completa.**

## Modo Cortador o modo Corte demorado

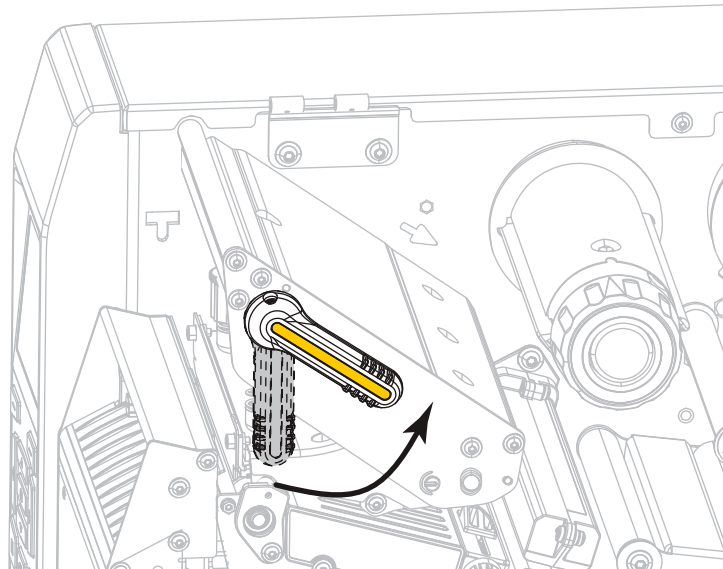


1. Si no lo ha hecho todavía, siga las instrucciones que figuran en la sección *Insertar el papel en la impresora en la página 32*

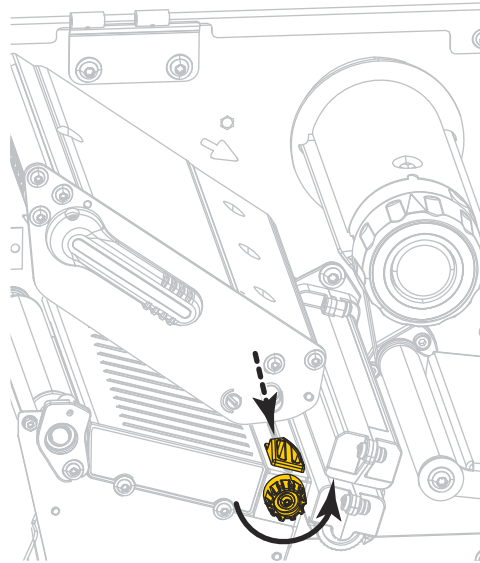


2. **Precaución** • El cabezal de impresión podría estar caliente y causar quemaduras graves. Deje enfriar el cabezal de impresión.

Abra el conjunto del cabezal de impresión girando hacia arriba la palanca de apertura del cabezal de impresión.

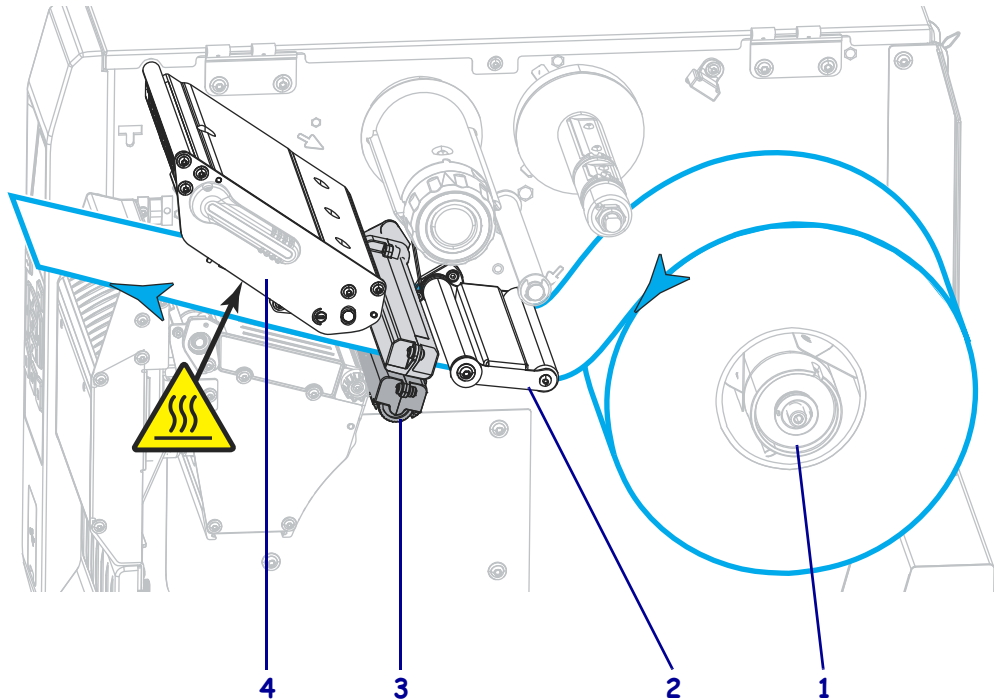


3. Gire la perilla de ajuste de la guía del papel como se indica en la imagen hasta que la guía del papel se haya deslizado por completo.



4. **Precaución** • El cabezal de impresión podría estar caliente y causar quemaduras graves. Deje enfriar el cabezal de impresión.

Desde el rodillo de papel (1), coloque el papel por debajo del conjunto del tensor (2), a través del sensor de papel (3) y por debajo del conjunto del cabezal de impresión (4). Deslice el papel hacia atrás hasta que toque la pared posterior interna del sensor de papel.

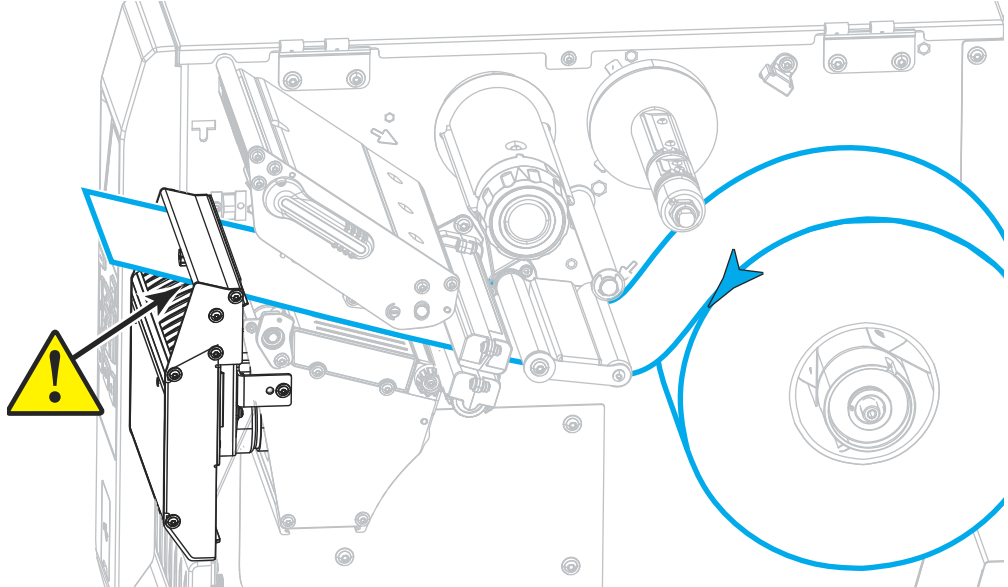




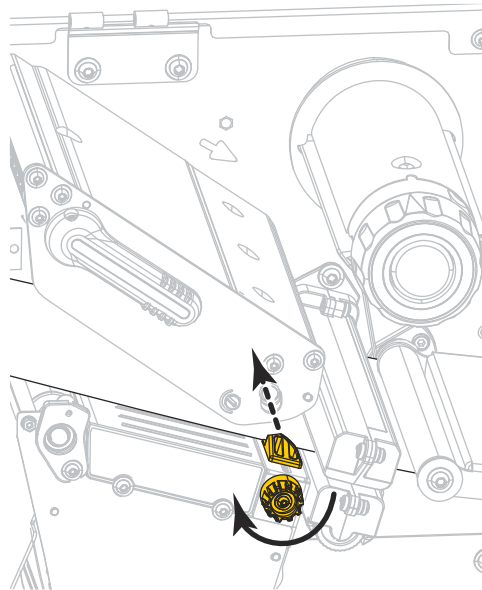


5. **Precaución** • La cuchilla de corte está muy afilada. No la toque ni la frote con los dedos.

Haga pasar el papel a través del cortador.



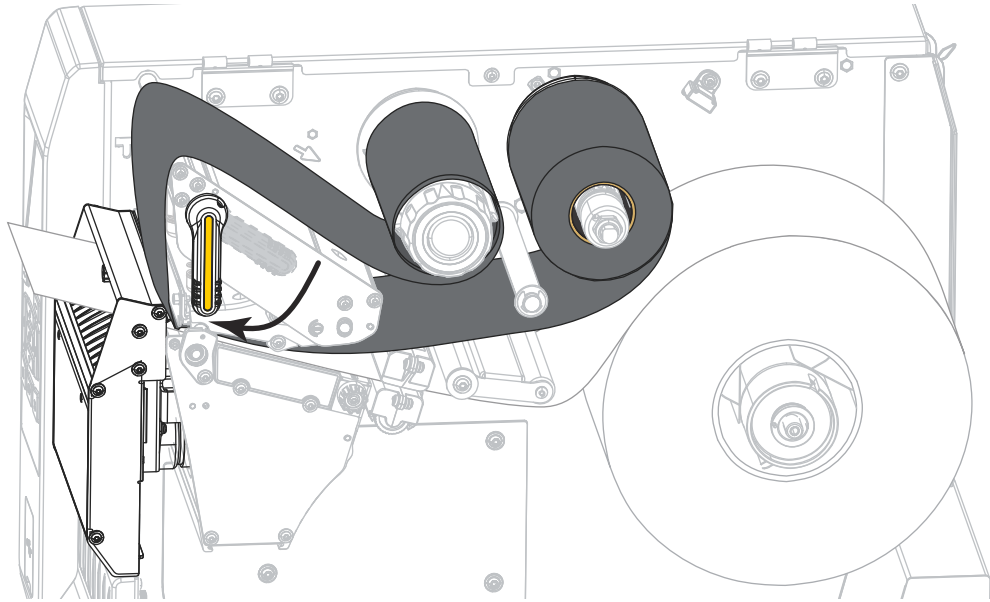
6. Gire la perilla de ajuste de la guía del papel como se indica en la imagen hasta que la guía toque apenas el borde del papel.



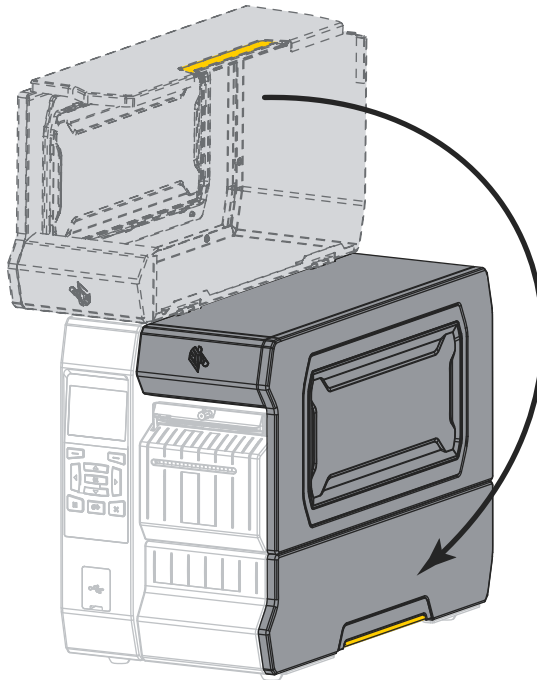
7. ¿El papel que se utiliza requiere cinta para imprimir? Si no está seguro, consulte *Cuándo se utiliza cinta en la página 24*.

Si está utilizando...	Entonces...
Papel para impresión térmica directa (no se requiere cinta)	Continúe con el <b>paso 8</b> .
Papel de transferencia térmica (se requiere cinta)	<b>a.</b> Si no lo ha hecho todavía, cargue la cinta en la impresora. Consulte <i>Cargar la cinta en la página 58</i> . <b>b.</b> Continúe con el <b>paso 8</b> .

8. Gire hacia abajo la palanca de apertura del cabezal de impresión hasta que este quede fijo en posición.



9. Cierre la puerta del compartimiento del papel.



10. Configure la impresora en el modo de impresión apropiado (para obtener más información, consulte la sección *MODO IMPRESIÓN* en la página 110).
11. Presione PAUSE (PAUSA) para salir del modo de pausa y activar la impresión.  
La impresora puede realizar una calibración de etiqueta o cargar una etiqueta según la configuración.
12. Para obtener mejores resultados, calibre la impresora. Consulte *Calibrar los sensores de cinta y de papel* en la página 193.
13. Si lo desea, imprima una configuración u otra etiqueta para verificar que su impresora pueda imprimir. (Consulte *INFO IMPRES* en la página 119).

**La carga de papel en el modo Cortador está completa.**

## Cargar la cinta



**Nota** • Esta sección se aplica solo a las impresoras que tienen instalada la opción de transferencia térmica.

La cinta se utiliza con las etiquetas de transferencia térmica. Si usted planea utilizar etiquetas de impresión térmica directa, no cargue cinta en la impresora. Para determinar si se debe utilizar cinta con un papel en particular, consulte la sección [Cuándo se utiliza cinta en la página 24](#).

---

**Precaución** • Cuando realice cualquier tarea cerca de un cabezal de impresión abierto, quítese anillos, relojes, collares, placas de identificación u otros objetos metálicos que puedan tocar el cabezal de impresión. No es necesario que desconecte la alimentación eléctrica de la impresora cuando trabaje cerca de un cabezal de impresión abierto, pero Zebra se lo recomienda como precaución. Si desconecta la alimentación eléctrica, perderá toda la configuración temporaria como formatos de etiquetas, y debe volver a cargarlos antes de reanudar la impresión.

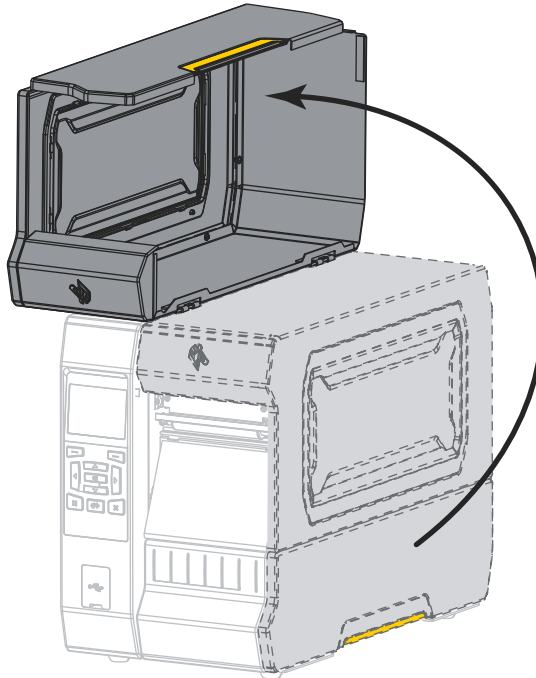
---



**Importante** • Para proteger el cabezal de impresión del desgaste, utilice cinta más ancha que el papel. La cinta debe estar revestida en el lado exterior.

### Para cargar la cinta, lleve a cabo los siguientes pasos:

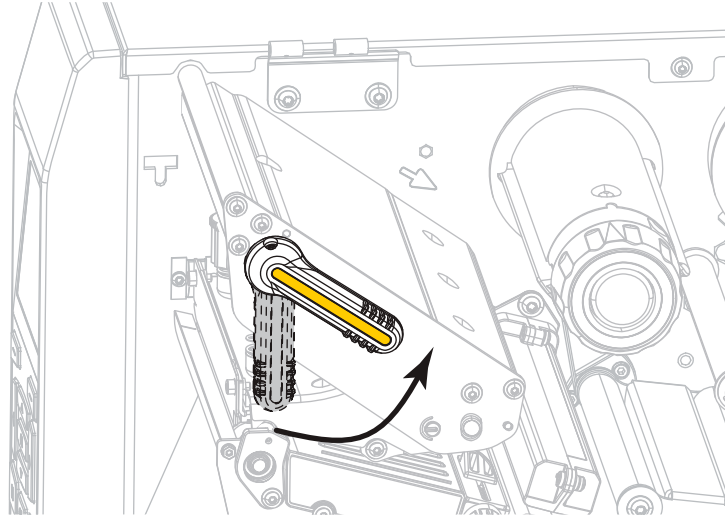
1. Levante la puerta del compartimiento del papel.



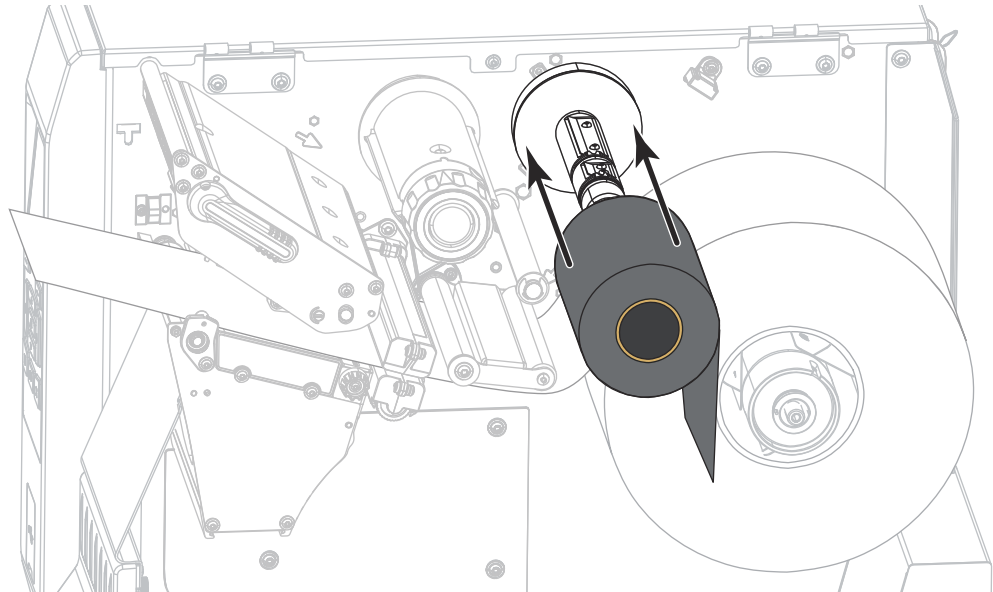


2. **Precaución** • El cabezal de impresión podría estar caliente y causar quemaduras graves. Deje enfriar el cabezal de impresión.

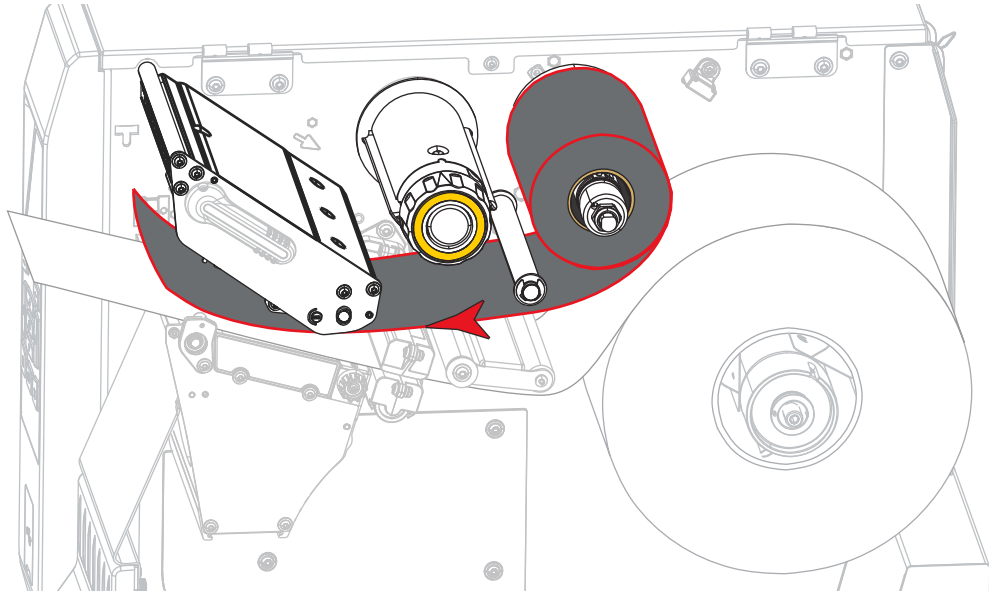
Abra el conjunto del cabezal de impresión girando hacia arriba la palanca de apertura del cabezal de impresión.



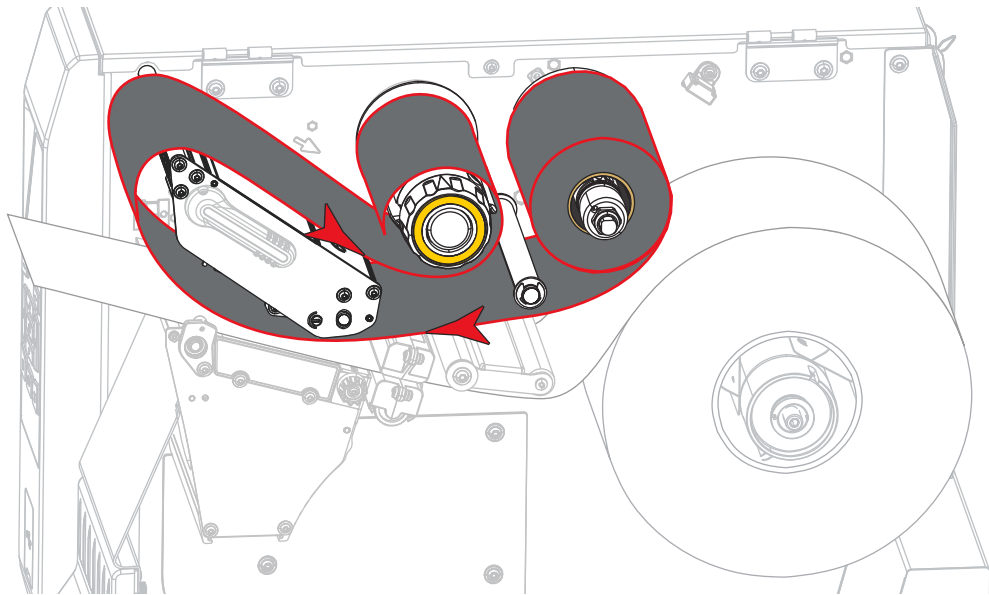
3. Coloque el rollo de cinta en el rodillo de suministro de cinta de modo que el extremo suelto se desenrolle como se muestra. Empuje el rollo hacia la parte posterior tanto como sea posible.



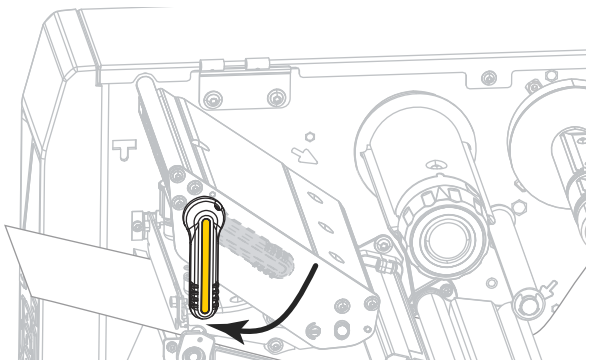
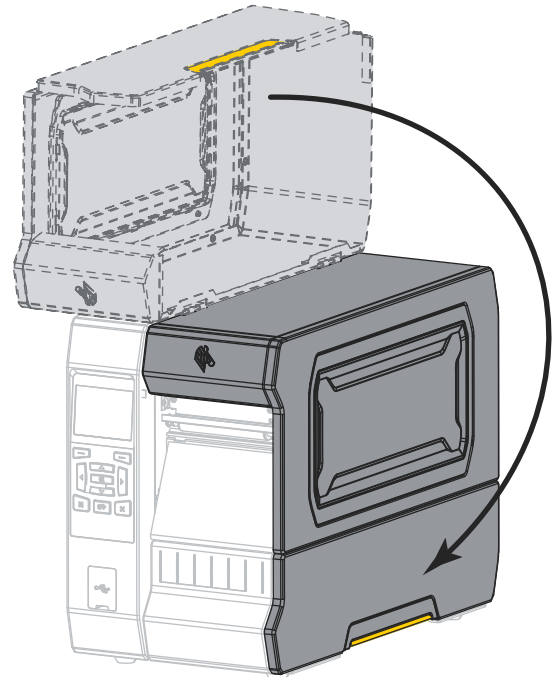
4. Coloque la cinta por debajo del conjunto del cabezal de impresión y en su lado izquierdo, como se muestra.



5. Empuje el seguimiento de cinta tanto como sea posible debajo del conjunto del cabezal de impresión y enrrolle la cinta alrededor del rodillo de tensado de la cinta. Gire el rodillo varias vueltas en la dirección que se muestra para ajustar y alinear la cinta.



6. ¿El papel ya está cargado en la impresora?

Si...	Entonces...
No	Continúe con el <i>Cargar el papel en la página 32</i> para cargar el papel en la impresora.
Sí	<p>a. Gire hacia abajo la palanca de apertura del cabezal de impresión hasta que este quede fijo en posición.</p>  <p>b. Cierre la puerta del compartimiento del papel.</p>  <p>c. Si fuera necesario, presione PAUSE (PAUSA) para activar la impresión.</p>

## Instalar el controlador de la impresora y conectar la impresora a la computadora

En esta sección, se indicará cómo utilizar el programa Zebra Setup Utilities (Utilidades de configuración de Zebra) a fin de preparar una computadora que utiliza Microsoft Windows® para la instalación del controlador de la impresora, antes de conectar la impresora a cualquiera de las interfaces de comunicación de datos de la computadora. Obtenga en esta sección las instrucciones necesarias para instalar este programa, si aún no lo hizo. Posiblemente desee conectar la impresora a su computadora utilizando alguna de las conexiones disponibles.



**Importante** • Antes de conectar la impresora a su computadora, debe utilizar el programa Zebra Setup Utilities o la aplicación Zebra Printer Setup Utility (Utilidades de configuración de la impresora Zebra) para dispositivos Android (disponible gratuitamente en Google Play™ en <https://play.google.com/store/apps/details?id=com.zebra.printerssetup>). Su computadora no instalará los controladores correctos si usted conecta la impresora sin el programa Zebra Setup Utilities o la aplicación Zebra Printer Setup Utility.

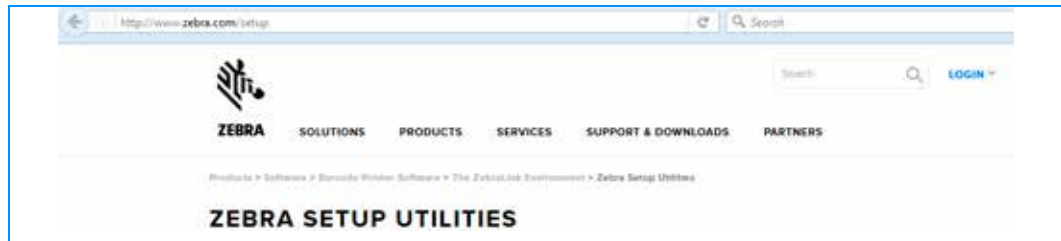
### Instalar Zebra Setup Utilities

Siga las indicaciones de esta sección si no tiene el programa Zebra Setup Utilities (Utilidades de configuración de Zebra) instalado en su computadora o desea actualizar una versión existente del programa. No será necesario que desinstale las versiones anteriores ni los controladores de la impresora Zebra.

**Para instalar el programa Zebra Setup Utilities, realice estos pasos:**

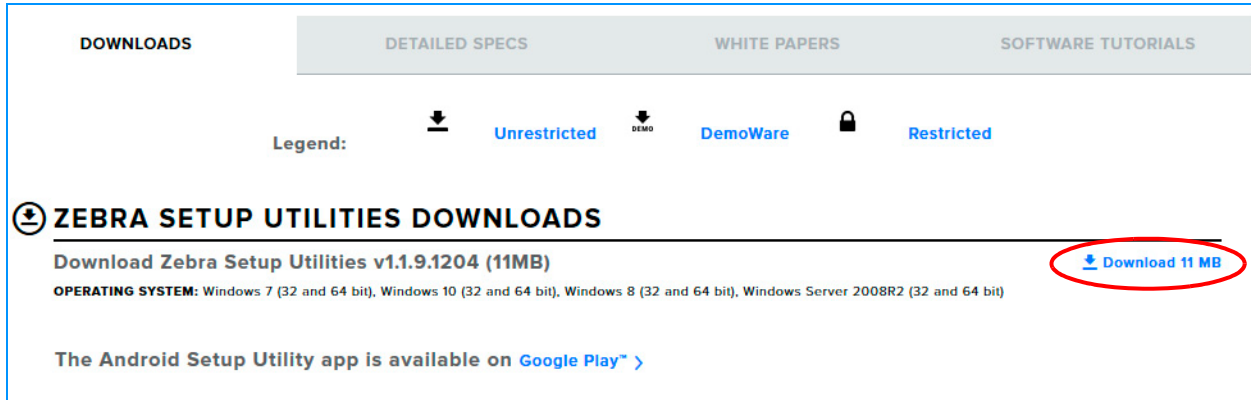
#### Descargar el instalador de Zebra Setup Utilities

1. Vaya a <http://www.zebra.com/setup>.  
Aparecerá la página de Zebra Setup Utilities.

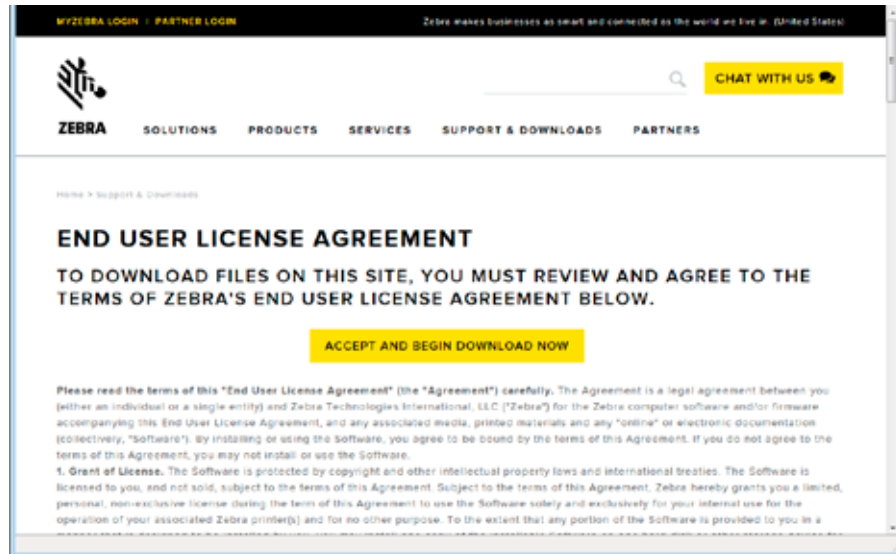




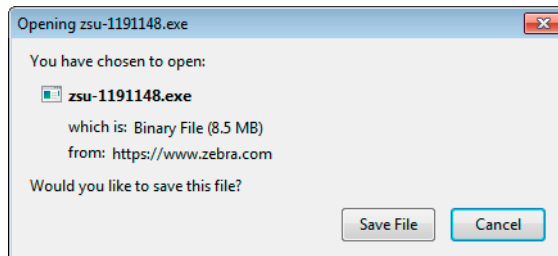
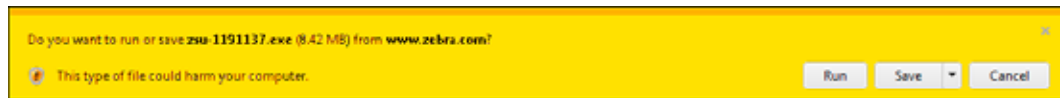
2. En la ficha DOWNLOADS (Descargas), haga clic en Download (Descargar) debajo de la opción ZEBRA SETUP UTILITIES.



Se le solicitará que lea y acepte el Contrato de licencia para el usuario final (CLUF).



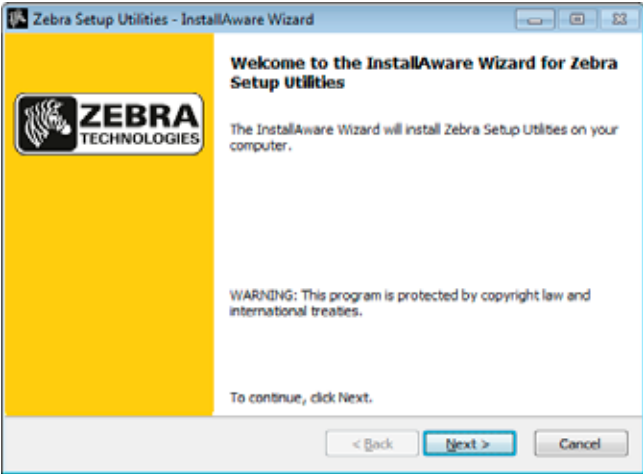
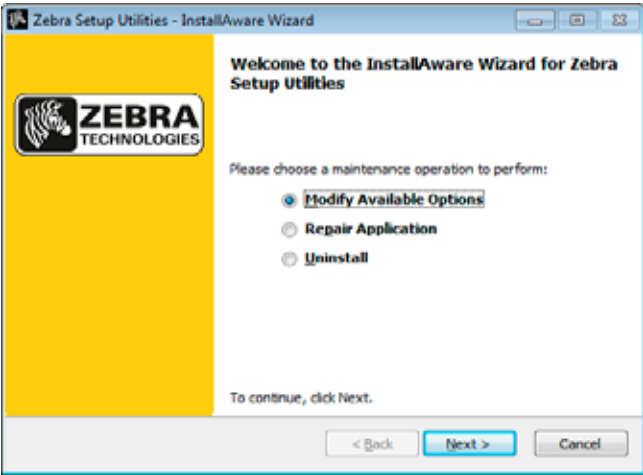
3. Si acepta los términos del CLUF, haga clic en ACCEPT AND BEGIN DOWNLOAD NOW (Aceptar y comenzar a descargar ahora). Según el explorador que utilice, aparecerán opciones para ejecutar o guardar el archivo ejecutable.



**Ejecutar el instalador de Zebra Setup Utilities**

4. Guarde el programa en su computadora. (Este paso será opcional si su explorador le dio la opción de ejecutar el programa en lugar de guardarlo).
5. Abra el archivo ejecutable. Si su computadora le solicita permiso para ejecutar el archivo, haga clic en el botón correspondiente para permitir la ejecución.

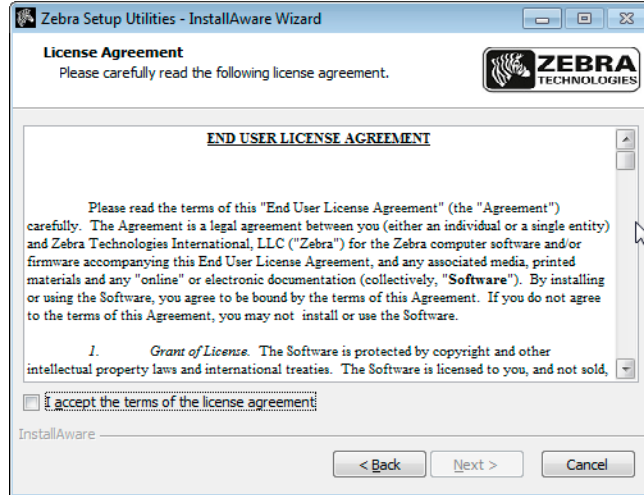
Lo que la computadora muestre a continuación dependerá de que el programa Zebra Setup Utilities esté instalado o no. Siga las instrucciones en función de las indicaciones que vayan apareciendo en su computadora.

Si su computadora...	Entonces...
<p>No tenía instalado el programa Zebra Setup Utilities</p>	<p>a. El asistente InstallAware para la instalación del programa Zebra Setup Utilities mostrará lo siguiente.</p>  <p>b. Continúe con el <i>Nueva instalación de Zebra Setup Utilities</i> en la página 65.</p>
<p>Sí tenía instalado el programa Zebra Setup Utilities</p>	<p>a. El asistente InstallAware para la instalación del programa Zebra Setup Utilities mostrará lo siguiente.</p>  <p>b. Continúe con el <i>Actualizar instalaciones existentes de Zebra Setup Utilities</i> en la página 67.</p>

### Nueva instalación de Zebra Setup Utilities

6. Haga clic en Next (Siguiente).

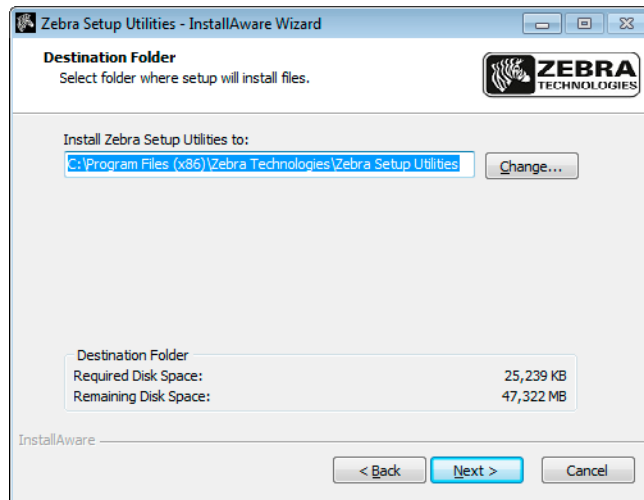
Se le solicitará que lea y acepte el Contrato de licencia para el usuario final (CLUF) nuevamente.



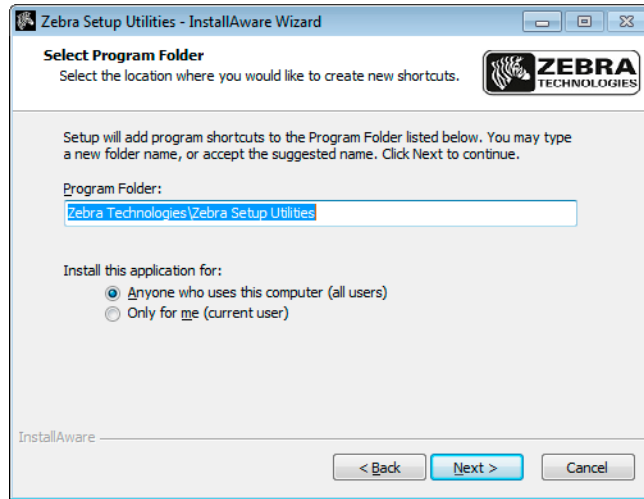
7. Si decide aceptar los términos del CLUF, haga clic en la casilla de verificación que dice I accept the terms of the license agreement (Acepto los términos del contrato de licencia).

8. Haga clic en Next (Siguiente).

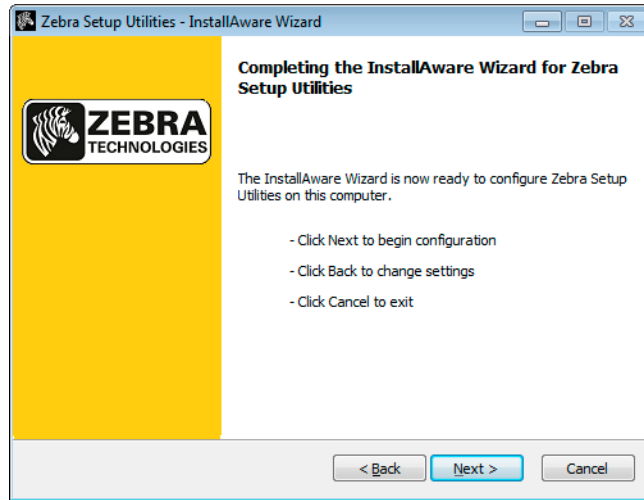
Se le solicitará que seleccione la ubicación donde se instalarán los archivos.



9. Cambie la carpeta de destino, según corresponda, y haga clic en Next.  
Se le indicará que seleccione una ubicación para los atajos del programa.



10. Si lo desea, cambie la ubicación y haga clic en Next.  
Se le pedirá que realice los pasos indicados por el asistente InstallAware.

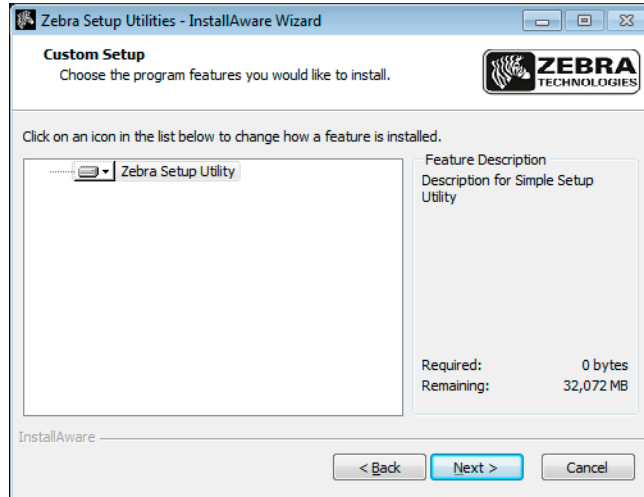


11. Vaya directamente a [Continuar con instalaciones nuevas o actualizadas en la página 68.](#)

### Actualizar instalaciones existentes de Zebra Setup Utilities

12. Haga clic en Next (Siguiente).

Se le indicará que elija las funciones que desea instalar.



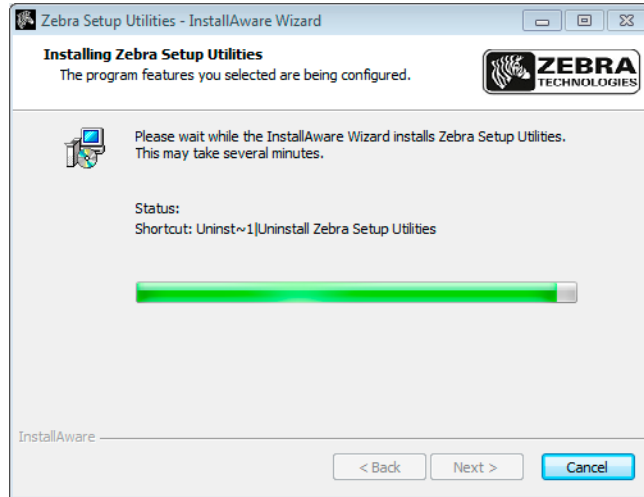
13. Haga clic en Next (Siguiente).

Se le pedirá que realice los pasos indicados por el asistente InstallAware.

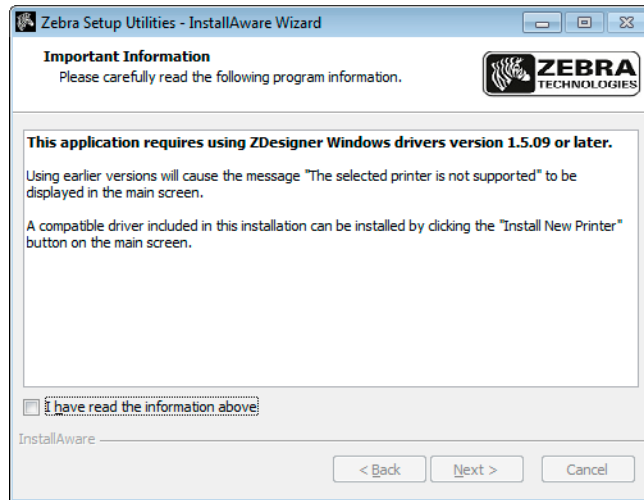


**Continuar con instalaciones nuevas o actualizadas**

- 14. Haga clic en Next (Siguiete).  
Comenzará el proceso de instalación.



Durante la instalación, aparecerá información sobre los controladores.

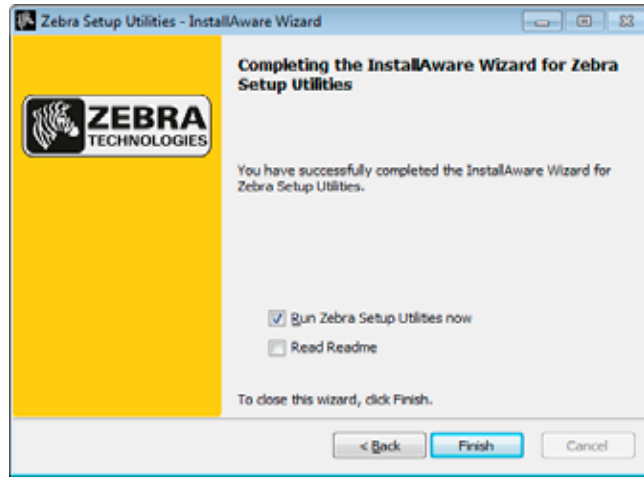


- 15. Lea la información y luego marque la casilla de verificación que dice "I have read the information above" (He leído la información anterior).

Instalar el controlador de la impresora y conectar la impresora a la computadora

16. Haga clic en Next (Siguiente).

Se le mostrarán opciones para que usted elija lo que desea hacer cuando el asistente termine el proceso de instalación.




17. Marque la casilla de verificación que dice “Run Zebra Setup Utilities now” (Ejecutar ahora el programa de Utilidades de configuración de Zebra).

18. Haga clic en Finish (Finalizar).

Lo que la computadora muestre a continuación dependerá de que haya o no controladores instalados de la impresora Zebra. Siga las instrucciones en función de las indicaciones que vayan apareciendo en su computadora.

Si su computadora...	Entonces...	
No tiene instalado ningún controlador de la impresora Zebra	Aparecerá System Prepare Wizard (Asistente para la preparación del sistema). <div data-bbox="699 1220 1227 1570" style="text-align: center;"> </div>	
	<b>Para realizar una conexión con...</b>	<b>Entonces...</b>
	<b>Puerto USB</b>	Continúe con el <i>Conectar una computadora al puerto USB de la impresora</i> en la página 71.
	<b>Puerto serie o paralelo opcional</b>	Continúe con el <i>Conectar una computadora al puerto serie o paralelo de la impresora</i> en la página 75.

**70 | Configuración y funcionamiento de la impresora**  
 Instalar el controlador de la impresora y conectar la impresora a la computadora

<p><b>Si su computadora...</b></p>	<p><b>Entonces...</b></p>	
<p><b>Sí</b> tiene instalado algún controlador de la impresora Zebra</p>	<p>Aparecerá la pantalla de Zebra Setup Utilities.</p> 	
<p><b>Para realizar una conexión con el...</b></p>	<p><b>Entonces...</b></p>	
<p><b>Puerto USB</b></p>	<p>Continúe con el <i>Conectar la impresora a un puerto USB de su computadora</i> en la página 72.</p>	
<p><b>Puerto serie o paralelo opcional</b></p>	<p>Continúe con el <i>Agregar una impresora desde la pantalla Zebra Setup Utilities</i> en la página 78.</p>	



## Conectar una computadora al puerto USB de la impresora

Solo debe realizar los pasos de esta sección después de haber instalado el programa Zebra Setup Utilities (Utilidades de configuración de Zebra). De ser necesario, realice los pasos de la sección [Instalar Zebra Setup Utilities en la página 62](#) antes de continuar.



**Importante** • Debe instalar el programa Zebra Setup Utilities (Utilidades de configuración de Zebra) antes de conectar la impresora a su computadora. Su computadora no instalará los controladores correctos si usted conecta la impresora sin el programa Zebra Setup Utilities.

---

**Precaución** • Asegúrese de que la alimentación eléctrica de la impresora esté desconectada (O) antes de conectar los cables de comunicación de datos. La conexión de un cable de comunicación de datos mientras la alimentación eléctrica está conectada (I) puede dañar la impresora.

---

**Para conectar la impresora a su computadora mediante el puerto USB, lleve a cabo los siguientes pasos:**

### Ejecutar System Prepare Wizard

Si se encuentra en la pantalla Zebra Setup Utilities (Utilidades de configuración de Zebra), no será necesario que complete esta sección. Continúe con el [Conectar la impresora a un puerto USB de su computadora en la página 72](#).

La primera vez que instale el programa Zebra Setup Utilities y los controladores de la impresora, se le solicitará que siga las indicaciones de System Prepare Wizard (Asistente para la preparación del sistema).

**Figura 8 • System Prepare Wizard**



1. Haga clic en Next (Siguiente).  
System Prepare Wizard le indicará que conecte la impresora al puerto USB de su computadora.



2. Haga clic en Finish (Finalizar).  
Aparecerá la pantalla de Zebra Setup Utilities.

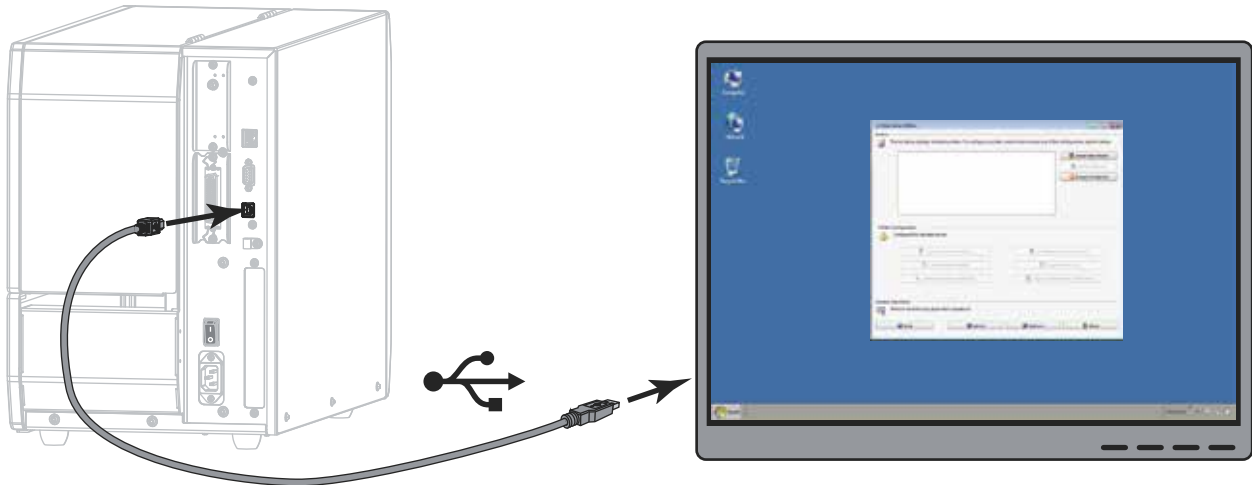
### **Conectar la impresora a un puerto USB de su computadora**

Realice los pasos de esta sección solo cuando System Prepare Wizard (Asistente para preparación del sistema) le indique que lo haga o después de abrir el programa Zebra Setup Utilities (Utilidades de configuración de Zebra). De ser necesario, realice los pasos de la sección [Instalar Zebra Setup Utilities en la página 62](#) antes de continuar.

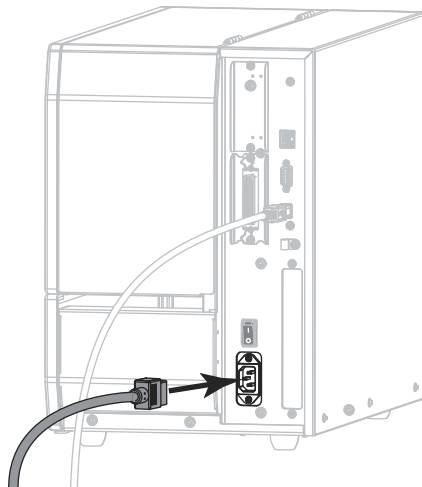
**Figura 9 • Pantalla Zebra Setup Utilities**



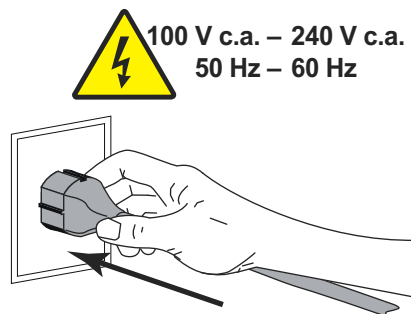
3. Conecte un extremo del cable USB al puerto USB de la impresora y el otro extremo a la computadora.



4. Enchufe el extremo hembra del cable de alimentación eléctrica de c.a. en el conector de alimentación de c.a. que se encuentra en la parte posterior de la impresora.

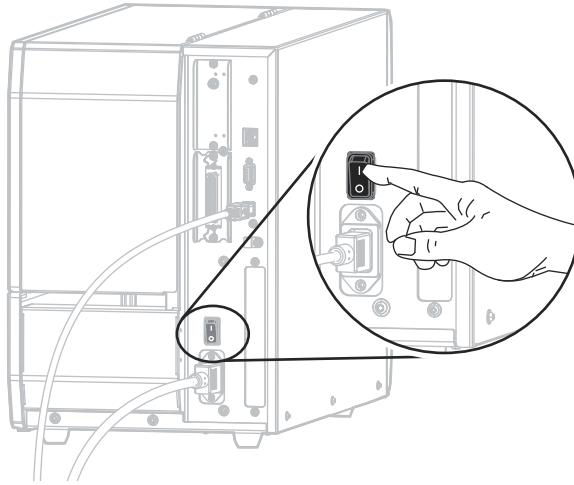


5. Enchufe el extremo macho del cable de alimentación eléctrica de c.a. en una toma de alimentación eléctrica adecuada.



**74** | **Configuración y funcionamiento de la impresora**  
Instalar el controlador de la impresora y conectar la impresora a la computadora— USB

6. Encienda (I) la impresora.



A medida que se inicia la impresora, la computadora ejecutará todo el proceso de instalación de controladores y reconocerá la impresora.

**La instalación para la conexión USB habrá finalizado.**

## Conectar una computadora al puerto serie o paralelo de la impresora

Solo debe realizar los pasos de esta sección después de haber instalado el programa Zebra Setup Utilities (Utilidades de configuración de Zebra). De ser necesario, realice los pasos de la sección [Instalar Zebra Setup Utilities en la página 62](#) antes de continuar.



**Importante** • Debe instalar el programa Zebra Setup Utilities (Utilidades de configuración de Zebra) antes de conectar la impresora a su computadora. Su computadora no instalará los controladores correctos si usted conecta la impresora sin el programa Zebra Setup Utilities.

**Precaución** • Asegúrese de que la alimentación eléctrica de la impresora esté desconectada (O) antes de conectar los cables de comunicación de datos. La conexión de un cable de comunicación de datos mientras la alimentación eléctrica está conectada (I) puede dañar la impresora.

### Para conectar la impresora a su computadora mediante el puerto USB, lleve a cabo los siguientes pasos:

Si se encuentra en la pantalla Zebra Setup Utilities (Utilidades de configuración de Zebra), no será necesario que complete esta sección. Continúe con el [Agregar una impresora desde la pantalla Zebra Setup Utilities en la página 78](#).

#### Ejecutar System Prepare Wizard

La primera vez que instale el programa Zebra Setup Utilities y los controladores de la impresora, se le solicitará que siga las indicaciones de System Prepare Wizard (Asistente para la preparación del sistema).

Figura 10 • System Prepare Wizard



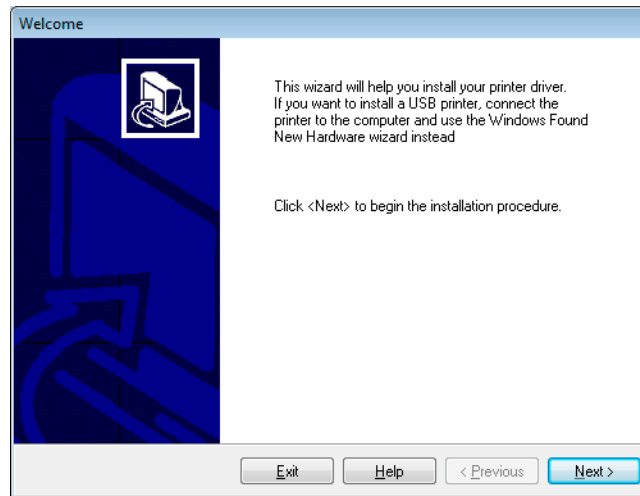
1. Seleccione “Other computer ports (Parallel Port, Serial Port, TCP-IP Port, ...)” (Otros puertos de la computadora [pto. paralelo, pto. serie, pto. TCP-IP, etc.]) y luego haga clic en Next (Siguiente).

El asistente de la nueva impresora le indicará que comience con el procedimiento de instalación.



2. Haga clic en Finish (Finalizar).

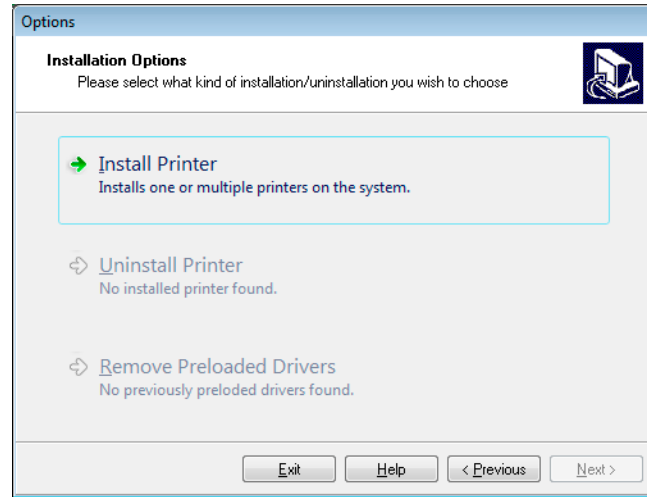
Aparecerá el asistente del controlador de la impresora.



Instalar el controlador de la impresora y conectar la impresora a la computadora— Serie o paralelo

3. Haga clic en Next (Siguiete).

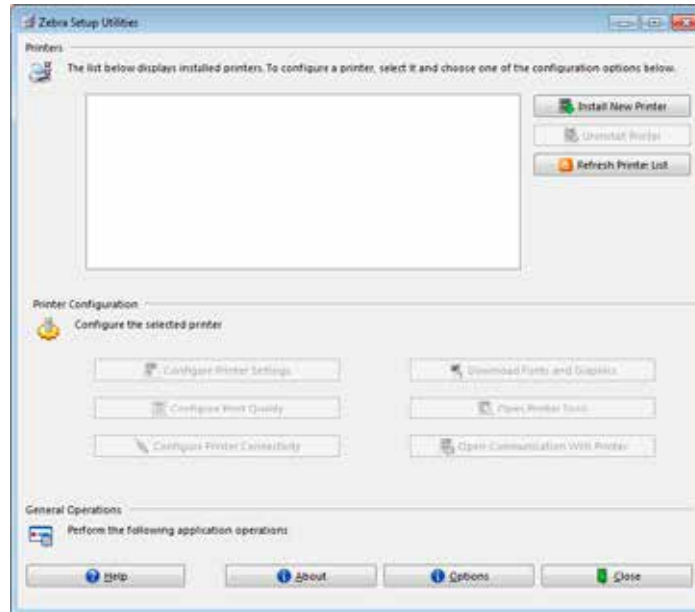
Se le indicará que seleccione una opción de instalación.



4. Continúe con el [paso 6 en la página 79](#).

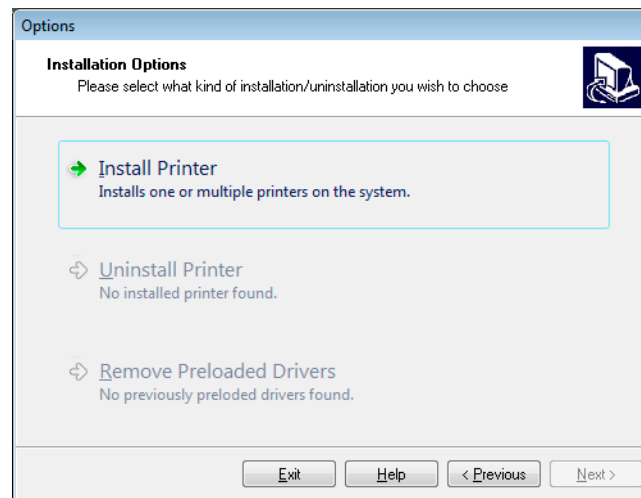
### Agregar una impresora desde la pantalla Zebra Setup Utilities

Figura 11 • Pantalla Zebra Setup Utilities



5. En la pantalla Zebra Setup Utilities (Utilidades de configuración de Zebra), haga clic en Install New Printer (Instalar nueva impresora).

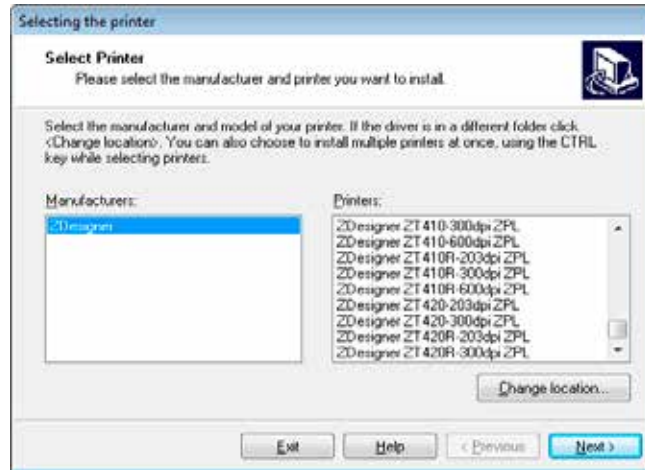
Se le indicará que seleccione una opción de instalación.





Instalar el controlador de la impresora y conectar la impresora a la computadora— Serie o paralelo

- Haga clic en Install Printer (Instalar impresora).  
Se le indicará que seleccione un tipo de impresora.



- Seleccione el modelo y la resolución de la impresora.

El modelo y la resolución figuran en una etiqueta adhesiva con el número de pieza de la impresora, que generalmente está ubicada debajo del rodillo de papel. La información tendrá el siguiente formato:

Part Number: XXXXXY - xxxxxxxx

donde

XXXXX = modelo de la impresora

Y = resolución de la impresora (2 = 203 dpi, 3 = 300 dpi, 6 = 600 dpi)

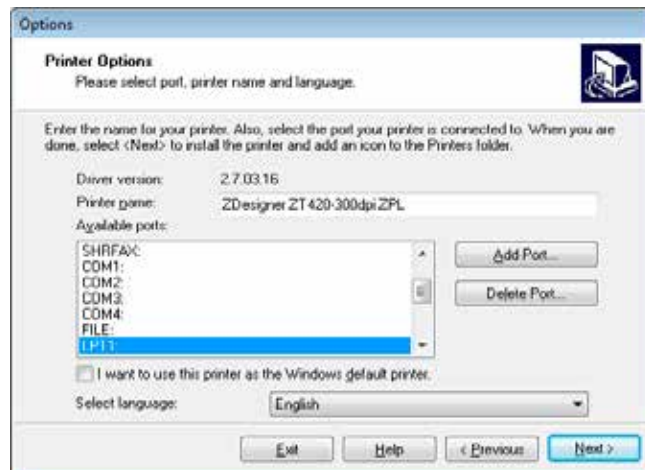
Por ejemplo, en el número de pieza **ZT620x3** - xxxxxxxx:

**ZT620** indica que el modelo de la impresora es ZT620.

**3** indica que la resolución del cabezal de impresión es de 300 dpi.

- Haga clic en Next (Siguiente).

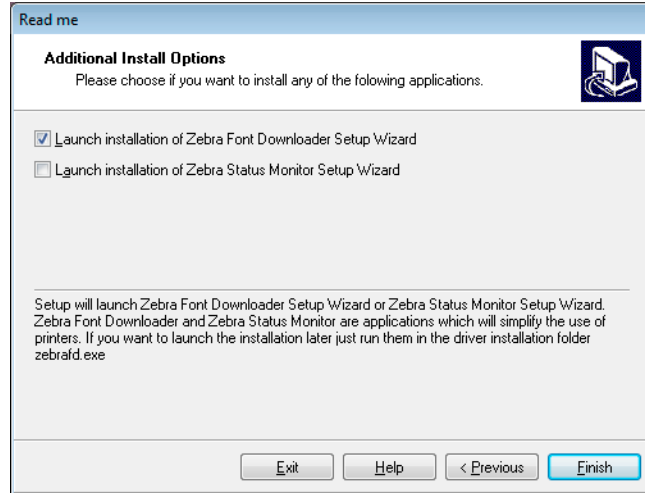
Se le pedirá que especifique el nombre de la impresora, el puerto al que esta se conectará y el idioma del programa.



9. Cambie el nombre de la impresora (si lo desea) y seleccione el puerto y el idioma correspondientes.

10. Haga clic en Next (Siguiente).

Se le indicará que inicie otros asistentes de configuración.



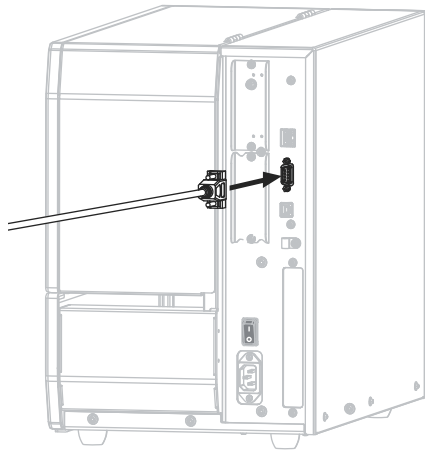
11. Marque las opciones deseadas y luego haga clic en Finish (Finalizar).

Se habrá instalado el controlador de la impresora. Si recibe un aviso de que otros programas podrían verse afectados, haga clic en Next.

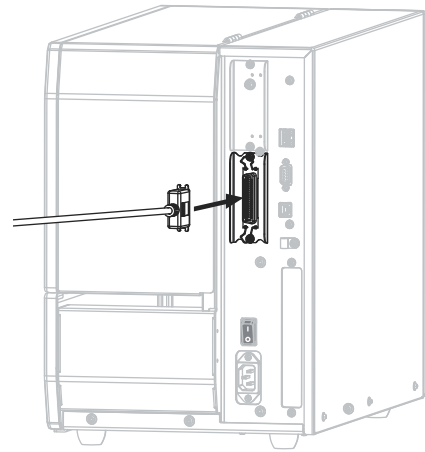
Instalar el controlador de la impresora y conectar la impresora a la computadora— Serie o paralelo

**Conectar la impresora a un puerto serie o paralelo de su computadora**

12. Conecte uno o ambos cables al puerto correspondiente en su impresora.



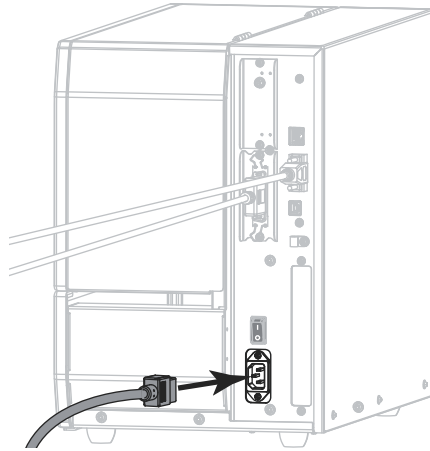
**Conector serie**



**Conector paralelo**

13. Conecte el otro extremo del cable al puerto correspondiente en su computadora.

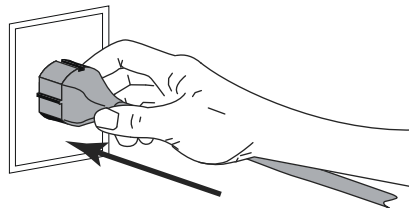
14. Enchufe el extremo hembra del cable de alimentación eléctrica de c.a. en el conector de alimentación de c.a. que se encuentra en la parte posterior de la impresora.



15. Enchufe el extremo macho del cable de alimentación eléctrica de c.a. en una toma de alimentación eléctrica adecuada.



100 V c.a. – 240 V c.a.  
50 Hz – 60 Hz



**ULINE**

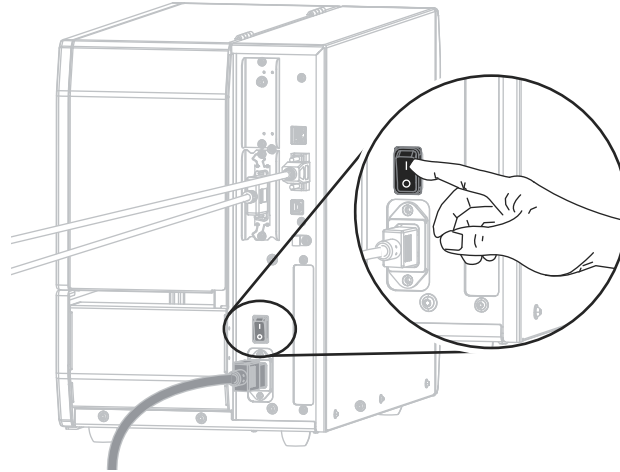
800-295-5510

0720 IH-7378VND

## 82 | Configuración y funcionamiento de la impresora

Instalar el controlador de la impresora y conectar la impresora a la computadora— Serie o paralelo

16. Encienda (I) la impresora.



La impresora se iniciará.

### Configurar la impresora (si es necesario)

17. De ser necesario, modifique la configuración del puerto de la impresora para que coincida con el de su computadora. Para obtener más información, consultar [PUERTOS](#) en la página 103.

**La instalación para la conexión del puerto serie o paralelo habrá finalizado.**

**ULINE**

800-295-5510

0720 IH-7378VND

## Realizar una conexión con su red a través del puerto Ethernet de su impresora

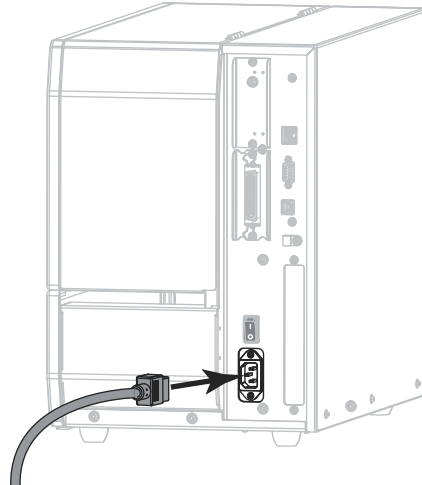
Si desea utilizar una conexión con un servidor de impresión cableado (Ethernet), es posible que deba conectar la impresora a su computadora mediante alguna de las otras conexiones disponibles. Mientras la impresora esté utilizando una de esas conexiones, usted podrá configurarla para que se comuniquen con su Red de área local (LAN) a través del servidor de impresión cableado de la impresora.

Para obtener más información acerca de los servidores de impresión de Zebra, consulte *ZebraNet Wired and Wireless Print Servers User Guide* (Guía del usuario de servidores de impresión ZebraNet cableados e inalámbricos). Para descargar la versión más reciente de esta guía, vaya a <http://www.zebra.com/zt600-info>.

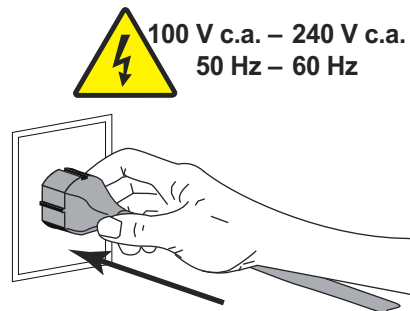


### Para conectar la impresora a su computadora mediante un servidor de impresión cableado, lleve a cabo los siguientes pasos:

1. Instale el programa Zebra Setup Utilities (Utilidades de configuración de Zebra), siguiendo las instrucciones de la sección *Instalar Zebra Setup Utilities en la página 62*.
2. Enchufe el extremo hembra del cable de alimentación eléctrica de c.a. en el conector de alimentación de c.a. que se encuentra en la parte posterior de la impresora.



3. Enchufe el extremo macho del cable de alimentación eléctrica de c.a. en una toma de alimentación eléctrica adecuada.

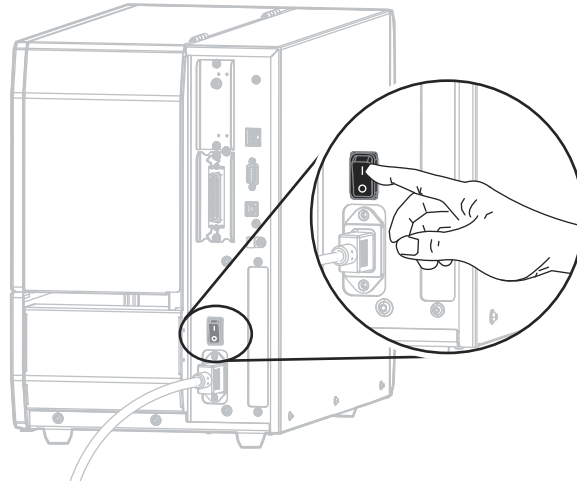


**ULINE**

800-295-5510

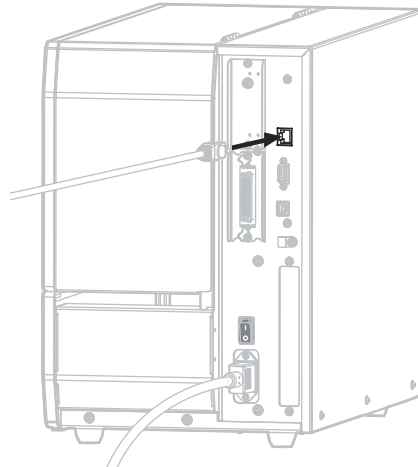
0720 IH-7378VND

4. Encienda (I) la impresora.



La impresora se iniciará.

5. Conecte la impresora a un cable Ethernet que esté conectado a su red.



La impresora intentará comunicarse con su red. Si lo logra, completará los valores de la puerta de enlace y subred de su LAN, y obtendrá una dirección IP. La pantalla de la impresora alternará entre la versión de firmware de la impresora y su dirección IP.

6. Consulte la pantalla para verificar si se asignó una dirección IP a la impresora. Consulte [DIRECCIÓN IP CABL](#) en la página 144.

Si la dirección IP de la impresora es...	Entonces...
0,0.0,0 o 000.000.000.000	Continúe con el <a href="#">Configurar la impresora con la información de su LAN</a> (si es necesario) en la página 85.
cualquier otro valor	Continúe con el <a href="#">Agregar una impresora desde la pantalla Zebra Setup Utilities</a> en la página 86.

### Configurar la impresora con la información de su LAN (si es necesario)

Si la impresora se conectó a su red automáticamente, no será necesario seguir las instrucciones de esta sección. Continúe con el *Agregar una impresora desde la pantalla Zebra Setup Utilities* en la página 86.

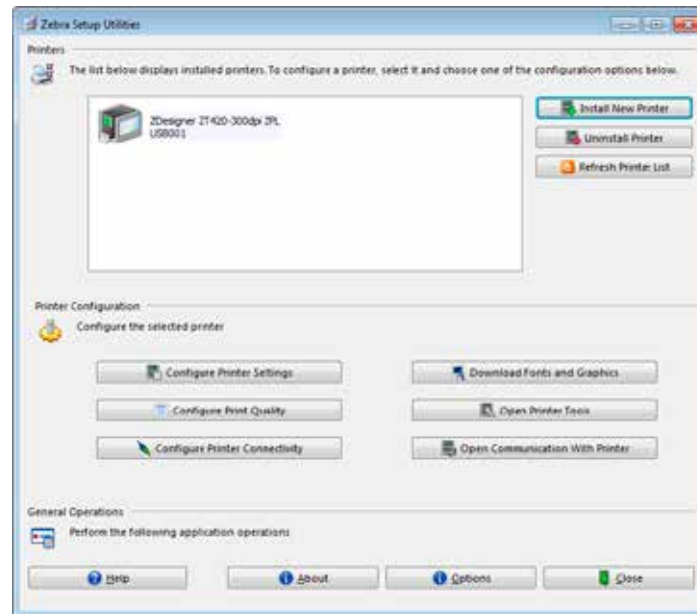
7. Conecte la impresora a su computadora mediante un puerto USB, serie o paralelo opcional, siguiendo las instrucciones de la sección *Conectar una computadora al puerto USB de la impresora* en la página 71 o *Conectar una computadora al puerto serie o paralelo de la impresora* en la página 75.
8. Configure los siguientes valores para la impresora. Podrá modificarlos a través de Zebra Setup Utilities (Utilidades de configuración de Zebra) —haciendo clic en Configure Printer Connectivity (Configurar conectividad de la impresora) dentro de la pantalla Zebra Setup Utilities— o a través de las indicaciones proporcionadas en los siguientes enlaces. Comuníquese con el administrador de la red para obtener los valores correctos.
  - *PROTOCOLO IP WLAN* en la página 152: cambie el valor de ALL (Todo) a PERMANENT (Permanente).
  - *PUERTA ENLACE CABLEADA* en la página 146: haga coincidir el valor de Gateway (puerta de enlace) con el de su LAN.
  - *MÁSCRA SUBRED CABL* en la página 145: haga coincidir el valor de Subnet (subred) con el de su LAN.
  - *DIRECCIÓN IP WLAN* en la página 149: asigne una dirección IP única a la impresora.

### Agregar una impresora desde la pantalla Zebra Setup Utilities

9. De ser necesario, abra el programa Zebra Setup Utilities (Utilidades de configuración de Zebra).

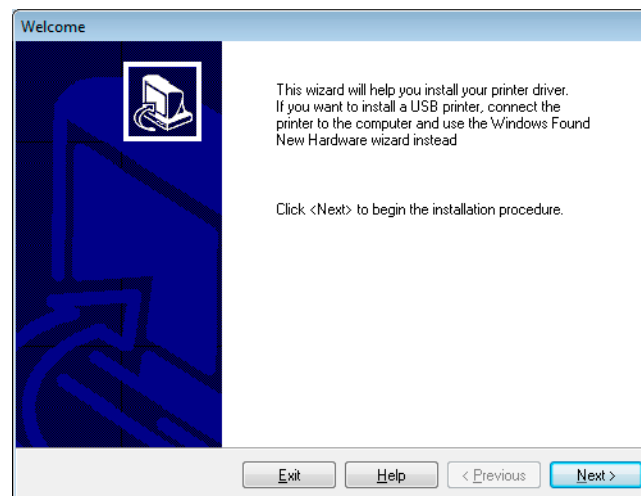
Aparecerá la pantalla de Zebra Setup Utilities.

Figura 12 • Pantalla Zebra Setup Utilities



10. Haga clic en Install New Printer (Instalar nueva impresora).

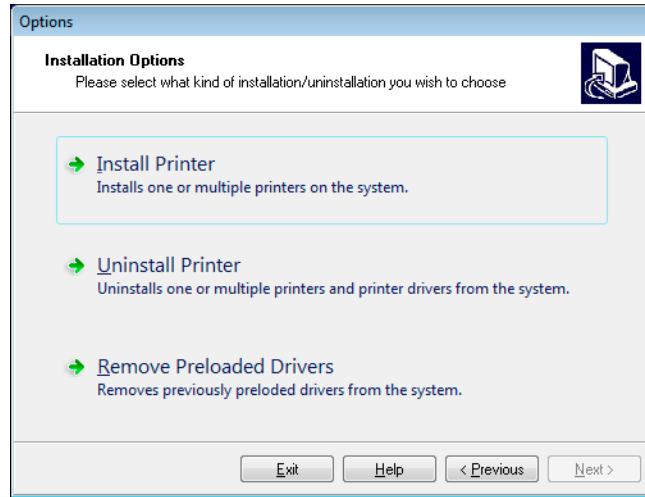
Aparecerá el asistente del controlador de la impresora.





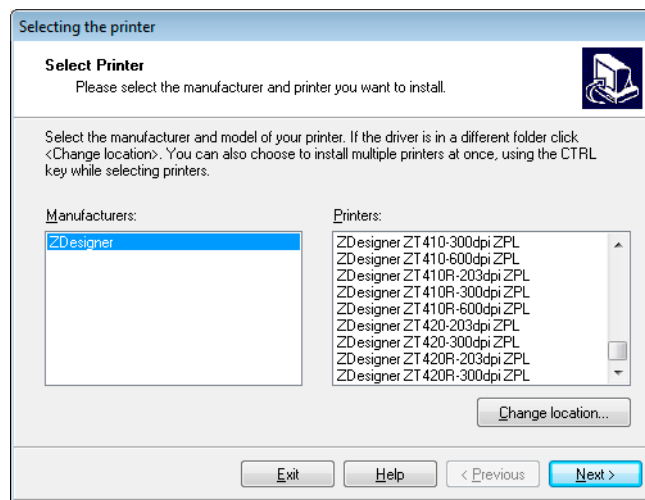
11. Haga clic en Next (Siguiente).

Se le indicará que seleccione una opción de instalación.



12. Haga clic en Install Printer (Instalar impresora).

Se le indicará que seleccione un tipo de impresora.



13. Seleccione el modelo y la resolución de la impresora.

El modelo y la resolución figuran en una etiqueta adhesiva con el número de pieza de la impresora, que generalmente está ubicada debajo del rodillo de papel. La información tendrá el siguiente formato:

Part Number: XXXXXY - xxxxxxxx

donde

XXXXX = modelo de la impresora

Y = resolución de la impresora (2 = 203 dpi, 3 = 300 dpi, 6 = 600 dpi)

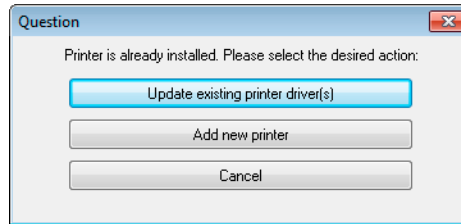
Por ejemplo, en el número de pieza **ZT620x3** - xxxxxxxx:

**ZT620** indica que el modelo de la impresora es ZT620.

**3** indica que la resolución del cabezal de impresión es de 300 dpi.

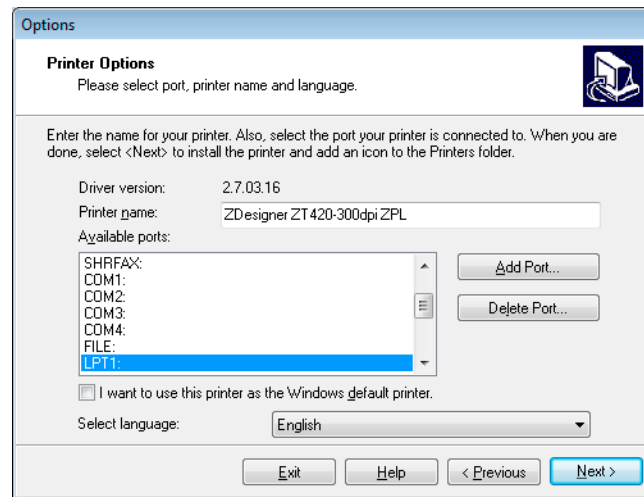
14. Haga clic en Next (Siguiente).

Recibirá una notificación cuando la impresora ya esté instalada.



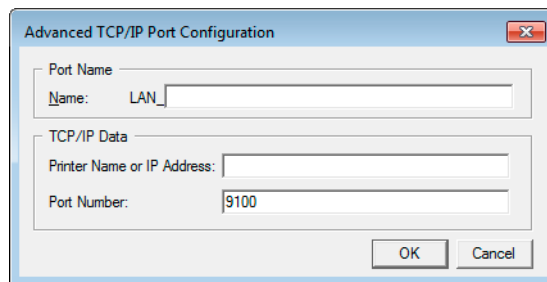
15. Haga clic en Add New Printer (Agregar nueva impresora).

Se le pedirá que especifique el nombre de la impresora, el puerto al que esta se conectará y el idioma para la pantalla de la impresora.



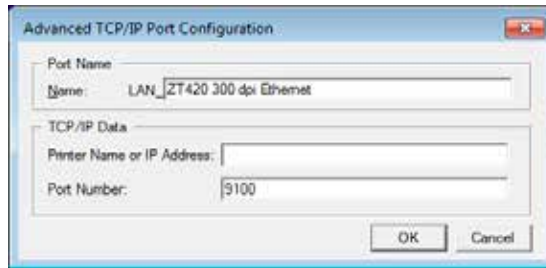
16. Haga clic en Add Port (Agregar puerto).

El asistente le pedirá que ingrese un nombre para el puerto y la dirección IP de su impresora.



**Nota** • Si tiene otras aplicaciones abiertas, posiblemente reciba un aviso de que otro proceso está bloqueando el controlador. En ese caso, puede hacer clic en Next (Siguiente) para continuar o en Exit (Salir) para guardar el trabajo antes de continuar con la instalación.

- Asígnele al puerto un nombre que usted pueda reconocer cuando aparezca en la lista de puertos disponibles.

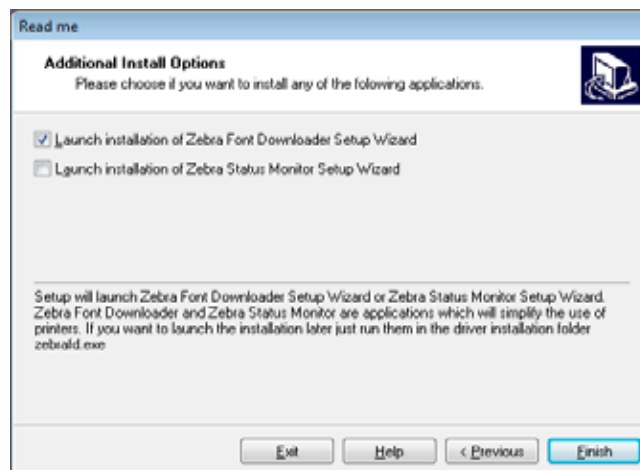


- Introduzca la dirección IP de la impresora. Podría ser una IP asignada en forma automática o una que usted haya especificado manualmente en la sección anterior.
- Haga clic en OK (Aceptar).

Se creará un controlador de la impresora con el nombre que usted le asignó al puerto. El nuevo puerto de la impresora aparecerá en la lista de puertos disponibles.

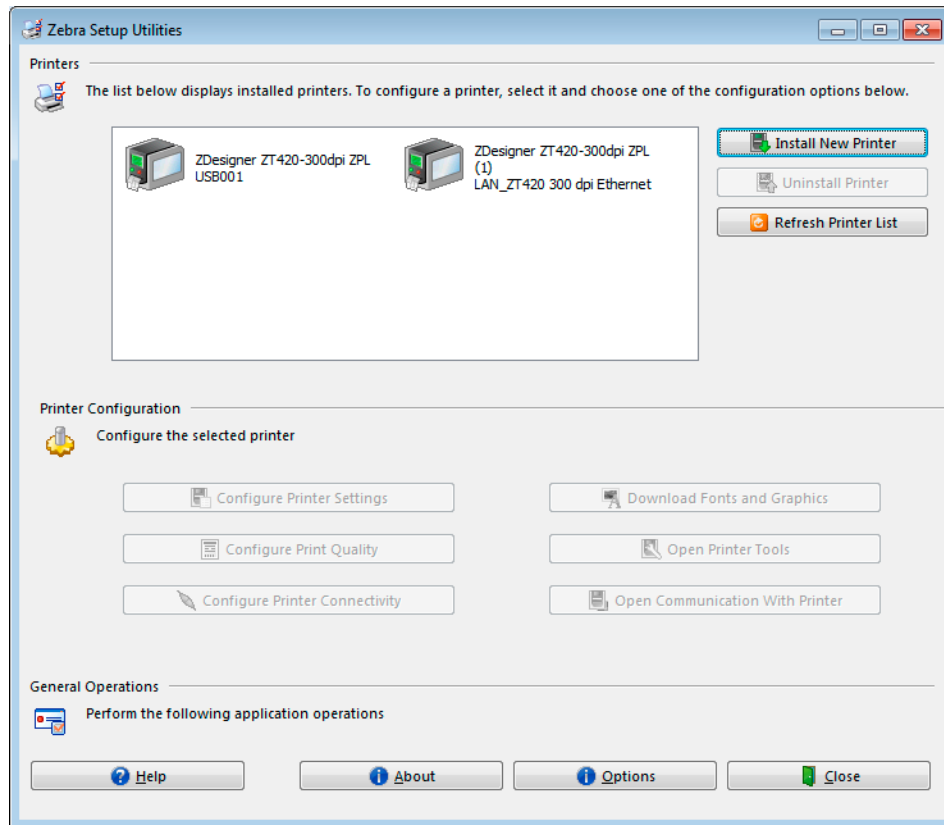


- Haga clic en Next (Siguiente).  
Se le indicará que inicie otros asistentes de configuración.



21. Marque las opciones deseadas y luego haga clic en Finish (Finalizar).

Se habrá instalado el controlador de la impresora. Si recibe un aviso de que otros programas podrían verse afectados, haga clic en la opción correspondiente para continuar.



**La instalación para las conexiones cableadas (Ethernet) habrá finalizado.**

## Conectar la impresora a su red inalámbrica

Si desea utilizar el servidor de impresión inalámbrico opcional de la impresora, primero deberá conectar la impresora a su computadora mediante alguna de las otras conexiones disponibles. Mientras la impresora esté utilizando una de esas conexiones, usted la configurará para que se comunique con su Red de área local inalámbrica (WLAN) a través del servidor de impresión inalámbrico.

Para obtener más información acerca de los servidores de impresión de Zebra, consulte *ZebraNet Wired and Wireless Print Servers User Guide* (Guía del usuario de servidores de impresión ZebraNet cableados e inalámbricos). Para descargar la versión más reciente de esta guía, vaya a <http://www.zebra.com/zt600-info>.



### Para conectar la impresora a su computadora mediante un servidor de impresión inalámbrico opcional, lleve a cabo los siguientes pasos:

1. Instale el programa Zebra Setup Utilities (Utilidades de configuración de Zebra), siguiendo las instrucciones de la sección *Instalar Zebra Setup Utilities en la página 62*.
2. Conecte la impresora a su computadora mediante un puerto USB, serie o paralelo opcional, siguiendo las instrucciones de la sección *Conectar una computadora al puerto USB de la impresora en la página 71* o *Conectar una computadora al puerto serie o paralelo de la impresora en la página 75*.
3. Configure los siguientes valores para la impresora. Podrá modificarlos a través de Zebra Setup Utilities (Utilidades de configuración de Zebra) —haciendo clic en Configure Printer Connectivity (Configurar conectividad de la impresora) dentro de la pantalla Zebra Setup Utilities— o a través de las indicaciones proporcionadas en los siguientes enlaces. Comuníquese con el administrador de la red para obtener los valores correctos.
  - *PROTOCOLO IP WLAN en la página 152*: cambie el valor de ALL (Todo) a PERMANENT (Permanente).
  - *PUERTA ENLACE WLAN en la página 151*: haga coincidir el valor de Gateway (puerta de enlace) con el de su WLAN.
  - *MÁSCR SUBRED WLAN en la página 150*: haga coincidir el valor de Subnet (subred) con el de su WLAN.
  - *DIRECCIÓN IP WLAN en la página 149*: asigne una dirección IP única a la impresora.

### Agregar una impresora desde la pantalla Zebra Setup Utilities

4. De ser necesario, abra el programa Zebra Setup Utilities (Utilidades de configuración de Zebra).

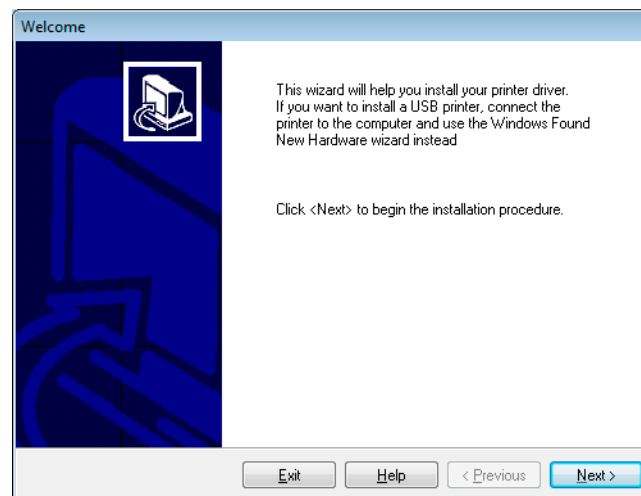
Aparecerá la pantalla de Zebra Setup Utilities.

Figura 13 • Pantalla Zebra Setup Utilities



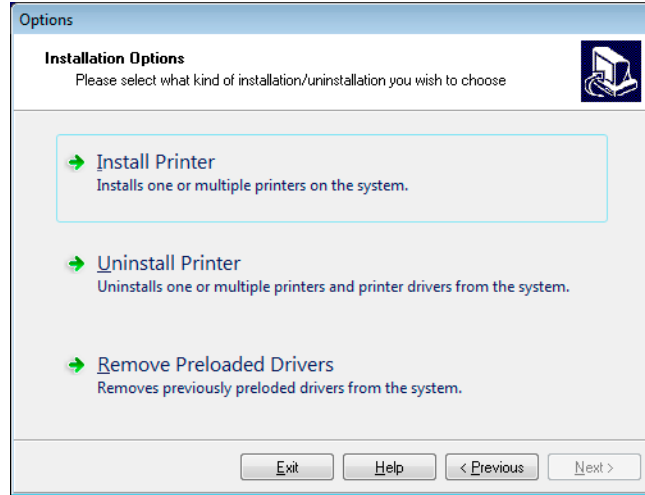
5. Haga clic en Install New Printer (Instalar nueva impresora).

Aparecerá el asistente del controlador de la impresora.



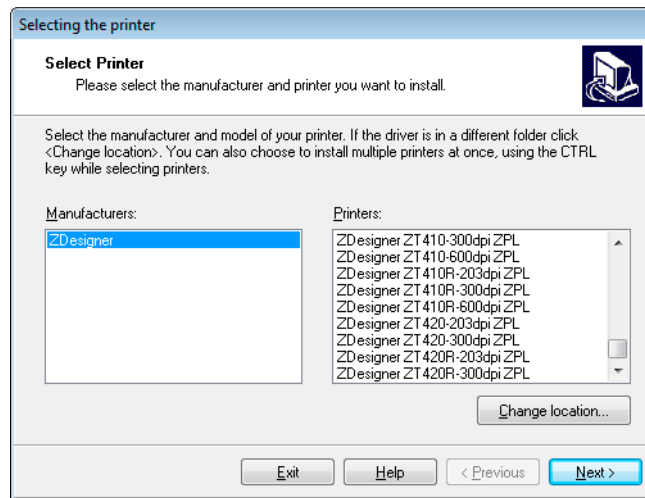
6. Haga clic en Next (Siguiente).

Se le indicará que seleccione una opción de instalación.



7. Haga clic en Install Printer (Instalar impresora).

Se le indicará que seleccione un tipo de impresora.



8. Seleccione el modelo y la resolución de la impresora.

El modelo y la resolución figuran en una etiqueta adhesiva con el número de pieza de la impresora, que generalmente está ubicada debajo del rodillo de papel. La información tendrá el siguiente formato:

Part Number: XXXXXY - xxxxxxxx

donde

XXXXX = modelo de la impresora

Y = resolución de la impresora (2 = 203 dpi, 3 = 300 dpi, 6 = 600 dpi)

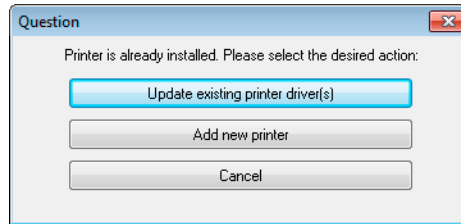
Por ejemplo, en el número de pieza **ZT620x3** – xxxxxxxx:

**ZT620** indica que el modelo de la impresora es ZT620.

**3** indica que la resolución del cabezal de impresión es de 300 dpi.

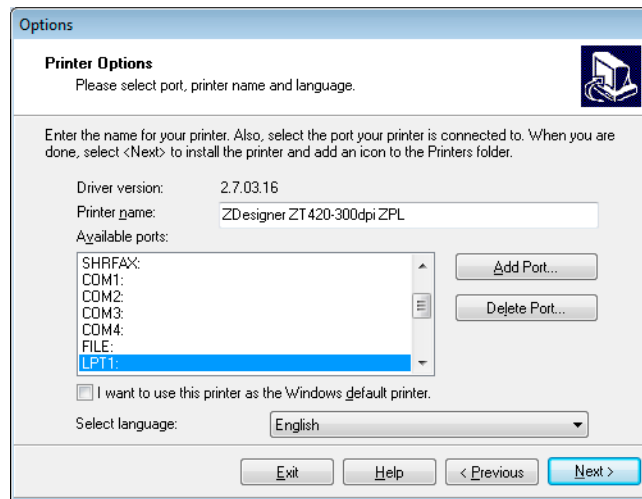
## 9. Haga clic en Next (Siguiente).

Recibirá una notificación cuando la impresora ya esté instalada.



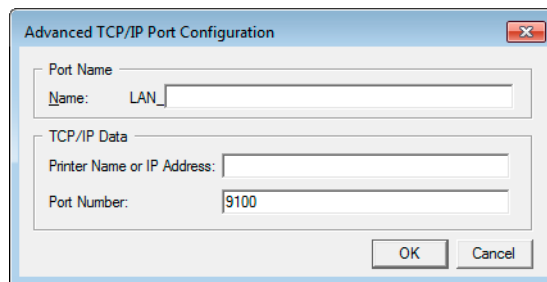
## 10. Haga clic en Add New Printer (Agregar nueva impresora).

Se le pedirá que especifique el nombre de la impresora, el puerto al que esta se conectará y el idioma para la pantalla de la impresora.



## 11. Haga clic en Add Port (Agregar puerto).

El asistente le pedirá que ingrese un nombre para el puerto y la dirección IP de su impresora.

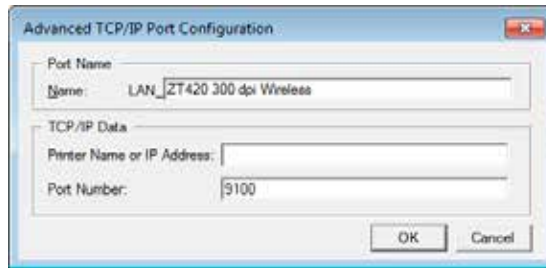


**Nota** • Si tiene otras aplicaciones abiertas, posiblemente reciba un aviso de que otro proceso está bloqueando el controlador. En ese caso, puede hacer clic en Next (Siguiente) para continuar o en Exit (Salir) para guardar el trabajo antes de continuar con la instalación.



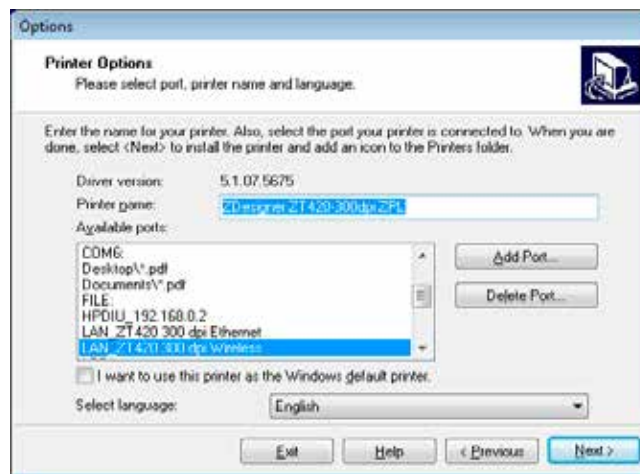
Instalar el controlador de la impresora y conectar la impresora a la computadora— Conexión inalámbrica

- Asígnele al puerto un nombre que usted pueda reconocer cuando aparezca en la lista de puertos disponibles.

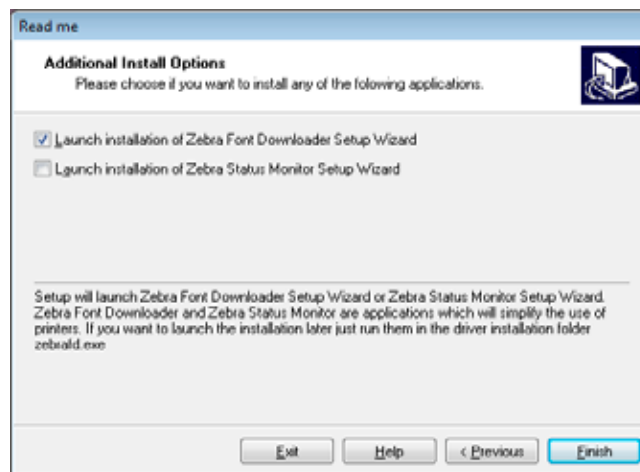


- Introduzca la dirección IP de la impresora. Podría ser una IP asignada en forma automática o una que usted haya especificado manualmente en la sección anterior.
- Haga clic en OK (Aceptar).

Se creará un controlador de la impresora con el nombre que usted le asignó al puerto. El nuevo puerto de la impresora aparecerá en la lista de puertos disponibles.

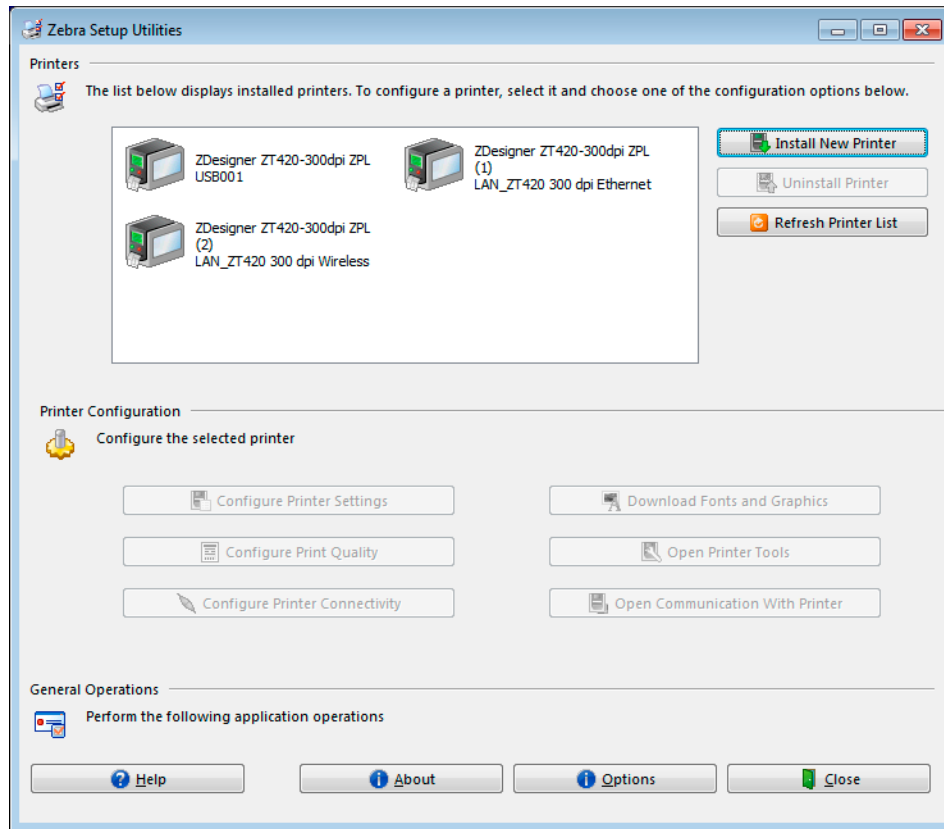


- Haga clic en Next (Siguiente).  
Se le indicará que inicie otros asistentes de configuración.



16. Marque las opciones deseadas y luego haga clic en Finish (Finalizar).

Se habrá instalado el controlador de la impresora. Si recibe un aviso de que otros programas podrían verse afectados, haga clic en la opción correspondiente para continuar.



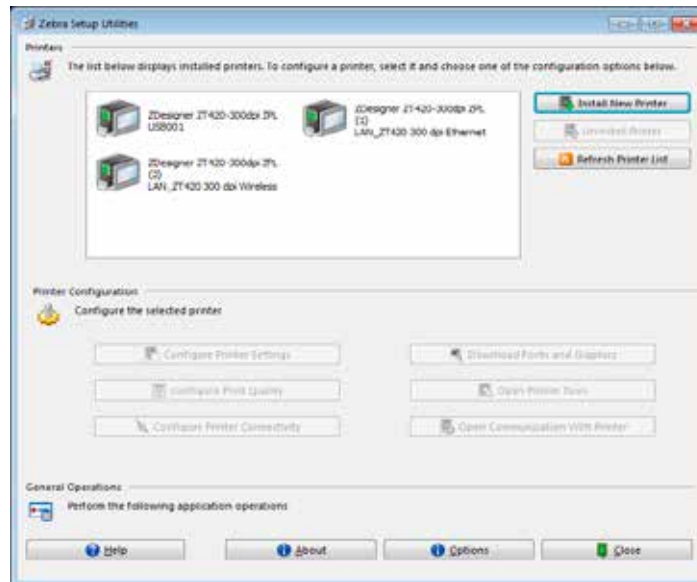
**La instalación para la comunicación inalámbrica habrá finalizado.**

## Imprimir una etiqueta de prueba y realizar ajustes

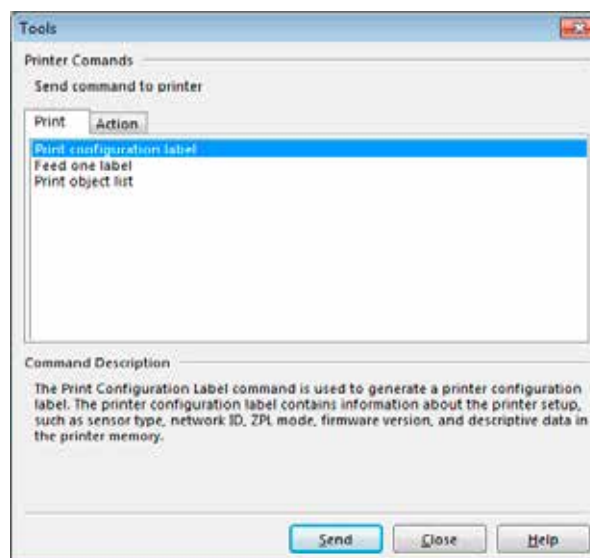
Una vez que haya cargado el papel y la cinta (si utiliza papel de transferencia térmica), instalado el controlador de la impresora y conectado la impresora a su computadora, siga las instrucciones de esta sección para imprimir una etiqueta de prueba. Imprimir esta etiqueta le permitirá determinar si sus conexiones funcionan y si necesita realizar algún cambio en la configuración de la impresora.

**Para imprimir una etiqueta de prueba y ajustar la impresora (si es necesario), lleve a cabo los siguientes pasos:**

1. Abra Zebra Setup Utilities (Utilidades de configuración de Zebra) para regresar a la pantalla Zebra Setup Utilities.



2. Haga clic en uno de los controladores disponibles para su impresora.
3. Haga clic en Open Printer Tools (Abrir herramientas de la impresora). La ventana Tools (Herramientas) mostrará los comandos disponibles para la impresora.



- Haga clic en Send (Enviar) para imprimir una etiqueta de configuración de la impresora.  
 Si su conexión funciona bien y la impresora está correctamente cargada con papel y cinta (si corresponde), se imprimirá una etiqueta de configuración de la impresora

Figura 14 • Etiqueta de muestra de la configuración de la impresora

CONFIGURACION DE IMPRESORA	
Zebra Technologies ZTC ZT620R-203dpi ZPL 76J162700888	
*30.0.....	CONTRASTE
6.0 IPS.....	VELDC IMPRESION
-007.....	CORTE MAN.
CORTE MANUAL.....	MODO IMPRESION
CONTINUO.....	TIPO DE PAPEL
TRANSMISIVO.....	SELEC DETECTOR
TERMICA DIRECT.....	METODO IMPRES.
1344.....	ANCHO IMPRS
2000.....	LONG. ETIQUETA
P1085882/00005 2.....	ID CABZ IMPR
15.0IN 380MM.....	LARGO MAXIMO
MANT. DESACTIV.....	ADV. PROMATURA
CONECTADA.....	COMUNIC USB
BI DIRECCIONAL.....	COM PARALELO
RS232.....	COM SERIE
9600.....	BAUDIOS
8 BITS.....	BITS DE DATOS
NINGUNA.....	PARIDAD
XON/XOFF.....	ENLACE CENTRAL
NINGUNA.....	PROTOCOLO
MODO NORMAL.....	COMUNICACIONES
<=> 7EH.....	PREFIJO CONTROL
<=> 5EH.....	PREFIJO FORMATO
<.> 2CH.....	DELIMITADOR
ZPL II.....	MODO ZPL
INACTIVO.....	SUSTITUC COMANDO
AVANZAR.....	CONECTAR
LONGITUD.....	CERRAR C. TERM.
POR DEFECTO.....	RETROCESO
*000.....	B. SUP. ETIQ.
+0000.....	POSICION IZD.
DESACTIV.....	PUERTO APLICADOR
ACTIV.....	ERROR EN PAUSA
MODAL IMPUL.....	SERIAL COM. IMP.
DESACTIV.....	MODAL. REIMPR.
080.....	SENSOR CARNA
080.....	SENS. PAPEL
255.....	TOMAR ETIQUETA
027.....	MARCAR SENS.
027.....	MARC.S. PAP.
000.....	GANANC TRANS
005.....	BARGE TRANS
080.....	BRILLO TRANS
002.....	GANANC MARCA
100.....	MARCAR LED
OPCSWFXM.....	MODOS ACTIVOS
1344 8/1MM COMPLETA.....	MODOS DESACTIVOS
4.0.....	RESOLUCION
V00.20.00 <.....	VERSION DE LINK-OS
1.3.....	PROGRAMA
6.6.0 22.09.....	ESQUEMA XML
32768k.....:R:	ID HARDWARE
524288k.....:E:	MEMORIA RAM
NINGUNA.....	FLASH ABORDO
INDIVAR 24 HR.....	CONVERTIR
05/11/17.....	VISUAL PAUSA
06:39.....	FECHA RTR
ACTIV.....	HORA RTR
2.1.....	ZBI
L1510.....	VERSION ZBI
TM:MBE MICRO.....	ESTADO DE ZBI
20.00.00.01.....	LECTOR DE RFID
01.03.00.18.....	Version HW RFID
USA/CANADA.....	Version FW RFID
USA/CANADA.....	COD REGION RFID
RFID OK.....	COD PAIS RFID
16.....	ESTADO ERR RFID
16.....	POT LECTURA RFID
P0.....	POT ESCRIT RFID
0.....	POSICION PROC.
0.....	CONT RFID VAL.
0.....	CONT RFID ANUL.
NINGUNA.....	ANTENA ADAPTATIVA
94.....	ANTENA DE RFID
568 ETIQUETAS.....	S/FALIS CONT
568 ETIQUETAS.....	REALUSTE CONT 1
568 ETIQUETAS.....	REALUSTE CONT 2
2.776 PG.....	CONTRD NO REINIC
2.776 PG.....	REALUSTE CONT 1
2.776 PG.....	REALUSTE CONT 2
7.051 CM.....	CONTRD NO REINIC
7.051 CM.....	REALUSTE CONT 1
7.051 CM.....	REALUSTE CONT 2
001 INALAMBRICO.....	RANLURA 1
*** VACIO.....	RANLURA 2
0.....	CONTEO ALMAC MAS
0.....	CONTEO HID
DESACTIV.....	BLOQUEO USB HOST
ESTA IMPRESORA ESTA PATENTADA	

5. ¿Se imprimió la etiqueta de configuración de la impresora? ¿La calidad de impresión es aceptable?

Si...	Entonces...
<b>Se imprimió la etiqueta y la calidad de impresión es aceptable.</b>	La impresora ya estará lista para imprimir. Continúe con el programa de diseño de etiquetas que prefiera. Podría utilizar ZebraDesigner™, que se puede descargar en <a href="http://www.zebra.com">http://www.zebra.com</a> .
<b>La etiqueta no se imprimió.</b>	<ul style="list-style-type: none"> <li data-bbox="787 495 1430 667"><b>a.</b> Cierre la ventana Tools (Herramientas) y asegúrese de haber seleccionado el controlador correcto para la impresora antes de hacer clic en Open Printer Tools (Abrir herramientas de la impresora). Intente imprimir la etiqueta otra vez.</li> <li data-bbox="787 667 1430 772"><b>b.</b> Si la etiqueta tampoco se imprime esta vez, verifique las conexiones entre la impresora y la computadora, o entre la impresora y la red.</li> <li data-bbox="787 772 1430 879"><b>c.</b> Si es necesario, modifique la configuración de la impresora para que coincida con la de su computadora.</li> </ul>
<b>La etiqueta se imprime, pero la calidad de impresión es mala o existe algún otro inconveniente.</b>	Consulte <i>Diagnóstico y solución de problemas</i> en la <a href="#">página 229</a> .



Notas • \_\_\_\_\_

---

---

---

---

---

---

---

---

---

---

---

---

---

---

## Configuración y ajustes de la impresora

Esta sección lo ayudará con la configuración y los ajustes de la impresora.

### Contenido

Ajustar la configuración de la impresora . . . . .	102
Calibrar los sensores de cinta y de papel . . . . .	193
Ajustar la presión del cabezal de impresión y posición de la palanca acodada . . . . .	199
Ajustar la posición del sensor . . . . .	205
Extraer la cinta usada . . . . .	206
Instalar la placa de rebobinado/tensado del papel protector . . . . .	208

## Ajustar la configuración de la impresora

Esta sección presenta las opciones de configuración de la impresora que usted puede cambiar e identifica las herramientas que se pueden utilizar para cambiarlas. Entre estas herramientas se incluyen:

- Los **menús de usuario de la impresora**  
A continuación, consulte la información de esta sección.
- Los comandos ZPL y Set/Get/Do (SGD)  
Consulte *Zebra® Programming Guide* (Guía de programación de Zebra®) para obtener más información.
- Las **páginas web** de la impresora si la impresora posee una conexión activa cableada o se conecta a un servidor de impresión inalámbrico  
Para obtener más información, consulte *ZebraNet Wired and Wireless Print Servers User Guide* (Guía del usuario de servidores de impresión ZebraNet cableados o inalámbricos).

Las copias de los manuales mencionados se encuentran disponibles en <http://www.zebra.com/manuals>.

**Menús de usuario** A continuación se incluyen los menús de usuario de la impresora y los elementos que aparecen en cada uno. Haga clic en un elemento del menú para ir a su descripción. Para obtener las instrucciones de navegación, consulte la sección *Navegación por las pantallas estándar en la página 19*.



### CONFIGURACIÓN

- CONTRASTE
- VELOC IMPRESIÓN
- TIPO DE PAPEL
- MÉTODO IMPRES.
- CORTE MAN.
- ANCHO IMPRS
- MODO IMPRESIÓN
- B. SUP. ETIQ
- POSICIÓN IZQ.
- MODAL. REIMPR.
- LONG MÁX ETIQ
- LUZ CUBRTA ABIERTA
- LUCES TRAYEC PAPEL
- LUCES TRAYEC CINTA
- IDIOMA\*\*
- MENÚ HERRAMIENTAS\*



### HERRAMIENTAS

- INFO IMPRES\*\*
- VISUAL. PAUSA
- ENCENDIDO
- ACC CIERRE CAB
- CARGAR ORIG.
- CAL PAPEL/CINTA\*\*
- MODO DIAGNÓSTICO
- ENERGY STAR
- INFO CONFIG EN USB
- ¿ZBI ACTIVADO?
- EJECUTAR PROGRAMA ZBI
- DETENER PROG ZBI
- IMPRMR ARCH DE USB
- COPR ARCH USB A E:
- ALMAC ARCH E: EN USB
- ESTACIÓN IMPRESIÓN
- PROTECC CON CONTRASEÑA
- ERROR APLIC: PAUSA
- IMPR FORMATO PRUEB
- MENÚ RED\*



### RED

- SERV IMPRES ACTIVO
- RED PRIMARIA
- DIRECCIÓN IP CABL
- MÁSCRA SUBRED CABL
- PUERTA ENLACE CABLEADA
- PROTOCOLO IP CABL
- DIRECCIÓN MAC CABL
- DIRECCIÓN IP WLAN
- MÁSCR SUBRED WLAN
- PUERTA ENLACE WLAN
- PROTOCOLO IP WLAN
- DIRECCIÓN MAC WLAN
- ESSID
- CANAL
- SEÑAL
- PUERTO IP
- PUERTO IP ALTERNATIVO
- INFO IMPRES\*\*
- REAJUSTAR TARJETA
- VISIBILITY AGENT
- CARGAR ORIG.
- MENÚ RFID\*



### RFID

- ESTADO DE RFID
- CALIBRACN RFID
- LEER DTOS RFID
- PRUEBA RFID
- POSCN PRG RFID
- ANTENA DE RFID
- POT LECT RFID
- POT ESCRT RFID
- CNTEO RFID VÁL
- CNTEO RFID ANUL
- MENÚ IDIOMA\*

\* Indica un atajo al próximo menú de usuario.

\*\* Aparece en varios menús de usuario para mayor comodidad.





## IDIOMA

- IDIOMA\*\*
- COMANDO IDIOMA
- CARÁCT COMNDO
- CARÁCTER CTRL
- DELIMITADOR
- MODO ZPL
- DISPOSITIVO VIRTUAL
- MENÚ SENSORES\*



## SENSORES

- TIPO DE SENSOR
- CAL PAPEL/CINTA\*\*
- INFO IMPRES\*\*
- SENSOR AJUST AUTOM
- SENSOR ETIQ.
- TOMAR ETIQTA
- MENÚ PUERTOS\*



## PUERTOS

- VELOC TRANS BAUD
- BITS DE DATOS
- PARIDAD
- ENLACE CENTRAL
- WML
- MENÚ BLUETOOTH\*



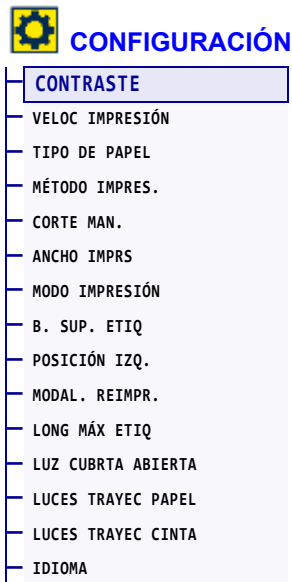
## BLUETOOTH

- DIRECCN BLUETOOTH
- MODO
- DETECCIÓN
- CONECTADA
- VERSN ESPECIF BT
- MODO SEGUR MÍN
- MENÚ CONFIGURACIÓN\*

\* Indica un atajo al próximo menú de usuario.

\*\* Aparece en varios menús de usuario para mayor comodidad.

## CONFIGURACIÓN > CONTRASTE



Establezca el contraste de impresión en el valor más bajo con el que se pueda obtener una buena calidad de impresión. Si configura el contraste demasiado alto, es posible que la imagen de la etiqueta no se imprima claramente, que los códigos de barra no se escaneen correctamente, que la cinta se quemé o que el cabezal de impresión se desgaste prematuramente.

Si lo desea, utilice la [Prueba de contraste y velocidad óptimos](#) en la página 239 para determinar la mejor configuración de contraste.

<i>Valores aceptados:</i>	0,0 a 30,0
<i>Comando(s) ZPL relacionado(s):</i>	^MD, ~SD
<i>Comando SGD utilizado:</i>	print.tone
<i>Página web de la impresora:</i>	Ver y modificar ajustes de la impresora > Configuración general > Contraste

## CONFIGURACIÓN > VELOC IMPRESIÓN

### CONFIGURACIÓN

- CONTRASTE
- **VELOC IMPRESIÓN**
- TIPO DE PAPEL
- MÉTODO IMPRES.
- CORTE MAN.
- ANCHO IMPRS
- MODO IMPRESIÓN
- B. SUP. ETIQ
- POSICIÓN IZQ.
- MODAL. REIMPR.
- LONG MÁX ETIQ
- LUZ CUBRTA ABIERTA
- LUCES TRAYEC PAPEL
- LUCES TRAYEC CINTA
- IDIOMA



Seleccione la velocidad, en pulgadas por segundo (ips) para imprimir una etiqueta. Las velocidades de impresión más bajas generalmente producen una mejor calidad de impresión.

<i>Valores aceptados:</i>	ZT610 203 dpi = 2 ips a 14 ips ZT610 300 dpi = 2 ips a 12 ips ZT610 600 dpi = 1 ips a 6 ips ZT620 203 dpi = 2 ips a 12 ips ZT620 300 dpi = 2 ips a 8 ips
<i>Comando(s) ZPL relacionado(s):</i>	^PR
<i>Comando SGD utilizado:</i>	media.speed

## CONFIGURACIÓN > TIPO DE PAPEL

 **CONFIGURACIÓN**

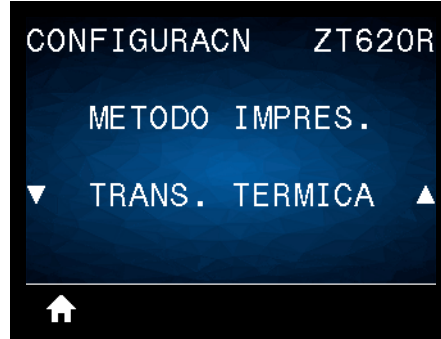
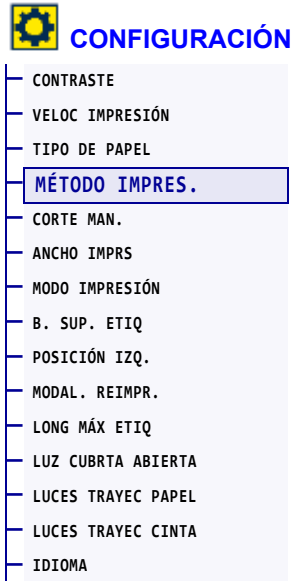
- CONTRASTE
- VELOC IMPRESIÓN
- TIPO DE PAPEL
- MÉTODO IMPRES.
- CORTE MAN.
- ANCHO IMPRS
- MODO IMPRESIÓN
- B. SUP. ETIQ
- POSICIÓN IZQ.
- MODAL. REIMPR.
- LONG MÁX ETIQ
- LUZ CUBRTA ABIERTA
- LUCES TRAYEC PAPEL
- LUCES TRAYEC CINTA
- IDIOMA



Seleccione el tipo de papel que va a utilizar.

<i>Valores aceptados:</i>	<ul style="list-style-type: none"> <li>• CONTINUO</li> <li>• ESPAC/MUESCA</li> <li>• MARCA</li> </ul> <p>Si usted selecciona el valor <b>CONTINUO</b>, deberá incluir la longitud de la etiqueta en el formato de etiqueta (^LL si está utilizando ZPL). Si selecciona <b>ESPAC INT/MUESCA</b> o <b>MARCA</b> para distintos papeles no continuos, la impresora cargará papel para calcular la longitud de la etiqueta.</p> <p>Consulte la sección <i>Tipos de papel en la página 22</i> para obtener más información.</p>
<i>Comando(s) ZPL relacionado(s):</i>	^MN
<i>Comando SGD utilizado:</i>	ezpl.media_type
<i>Página web de la impresora:</i>	Ver y modificar ajustes de la impresora > Configuración del papel > Tipo de papel

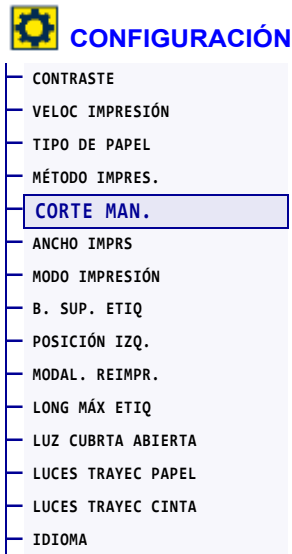
## CONFIGURACIÓN > MÉTODO IMPRES.



Especifique si la impresora necesita utilizar cinta para imprimir.

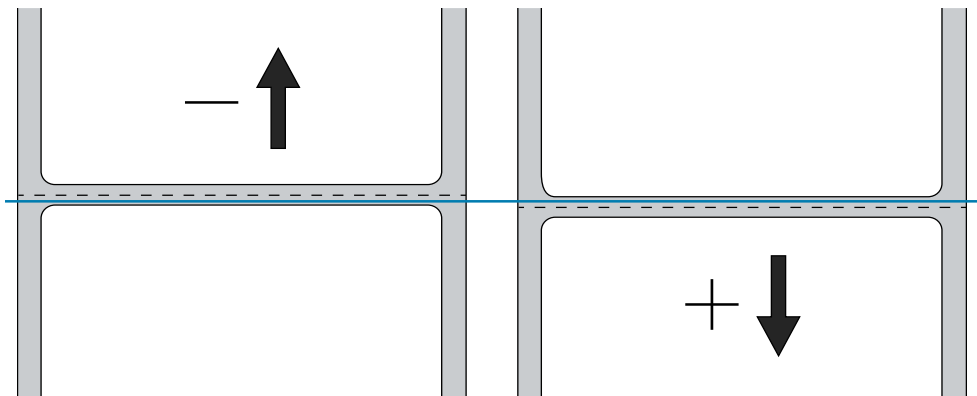
<i>Valores aceptados:</i>	<ul style="list-style-type: none"> <li>• <b>TRANS. TÉRMICA:</b> utiliza cinta y papel de transferencia térmica.</li> <li>• <b>TÉRMICA DIRECTA:</b> utiliza papel de impresión térmica, sin cinta.</li> </ul>
<i>Comando(s) ZPL relacionado(s):</i>	^MT
<i>Comando SGD utilizado:</i>	ezpl.print_method
<i>Página web de la impresora:</i>	Ver y modificar ajustes de la impresora > Configuración del papel > Método de impresión

## CONFIGURACIÓN > CORTE MAN.



Si es necesario, desplace la posición del papel en la barra que se utiliza para cortar manualmente luego de la impresión.

- Los números menores hacen que el papel se mueva hacia la impresora según la cantidad de puntos especificada (la línea de corte se acerca hacia el borde de la etiqueta que se acaba de imprimir).
- Los números mayores hacen que el papel se mueva fuera de la impresora (la línea de corte se acerca hacia el borde delantero de la siguiente etiqueta).



Valores aceptados:	-120 a 120
Comando(s) ZPL relacionado(s):	~TA
Comando SGD utilizado:	ezpl.tear_off
Página web de la impresora:	Ver y modificar ajustes de la impresora > Configuración general > Corte manual


## CONFIGURACIÓN > ANCHO IMPRS

### CONFIGURACIÓN

- CONTRASTE
- VELOC IMPRESIÓN
- TIPO DE PAPEL
- MÉTODO IMPRES.
- CORTE MAN.
- **ANCHO IMPRS**
- MODO IMPRESIÓN
- B. SUP. ETIQ
- POSICIÓN IZQ.
- MODAL. REIMPR.
- LONG MÁX ETIQ
- LUZ CUBRTA ABIERTA
- LUCES TRAYEC PAPEL
- LUCES TRAYEC CINTA
- IDIOMA



Especifique el ancho, en puntos, de las etiquetas que se utilizarán. El valor predeterminado es el ancho máximo para la impresora según el valor de DPI (puntos por pulgada) del cabezal de impresión.

<i>Valores aceptados:</i>	 <p><b>Nota</b> • Si el valor especificado para el ancho es demasiado bajo, es posible que algunas partes del formato de la etiqueta no se impriman en el papel. Si el ancho es excesivo, desperdiciará memoria de formato y es posible que se imprima fuera de la etiqueta y sobre el rodillo portapapeles. Esto puede afectar a la posición horizontal del formato de etiqueta si la imagen se invirtió utilizando el comando <code>^POI</code> de ZPL II.</p> <p>ZT610 203 dpi = <b>0002</b> a <b>832</b>                  ZT610 300 dpi = <b>0002</b> a <b>1248</b>                  ZT610 600 dpi = <b>0002</b> a <b>2496</b>                  ZT620 203 dpi = <b>0002</b> a <b>1344</b>                  ZT620 300 dpi = <b>0002</b> a <b>1984</b></p>
<i>Comando(s) ZPL relacionado(s):</i>	<code>^PW</code>
<i>Comando SGD utilizado:</i>	<code>ezpl.print_width</code>
<i>Página web de la impresora:</i>	Ver y modificar ajustes de la impresora > Configuración del papel > Ancho de impresión

## CONFIGURACIÓN > MODO IMPRESIÓN

 **CONFIGURACIÓN**

- CONTRASTE
- VELOC IMPRESIÓN
- TIPO DE PAPEL
- MÉTODO IMPRES.
- CORTE MAN.
- ANCHO IMPRS
- **MODO IMPRESIÓN**
- B. SUP. ETIQ
- POSICIÓN IZQ.
- MODAL. REIMPR.
- LONG MÁX ETIQ
- LUZ CUBRTA ABIERTA
- LUCES TRAYEC PAPEL
- LUCES TRAYEC CINTA
- IDIOMA



Seleccione un modo de impresión compatible con las opciones de su impresora. Para obtener información sobre cómo funcionan los modos de impresión con diferentes opciones de la impresora, consulte la sección [Seleccionar un modo de impresión en la página 31](#).

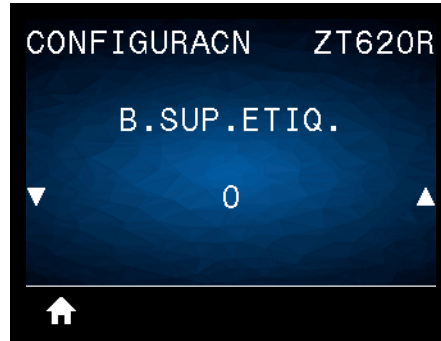
<i>Valores aceptados:</i>	<ul style="list-style-type: none"> <li>• CORTE MAN.</li> <li>• AUTODESPEGUE</li> <li>• REBOBINADO</li> <li>• CORTADOR</li> <li>• CORTE DEMORADO</li> <li>• DESPEGAR PAPEL NO RECUBIERTO</li> <li>• REBOBINAR PAPEL NO RECUBIERTO</li> <li>• CORTE MANUAL PAPEL NO RECUBIERTO</li> <li>• APLICADOR</li> </ul>
<i>Comando(s) ZPL relacionado(s):</i>	^MM
<i>Comando SGD utilizado:</i>	media.printmode
<i>Página web de la impresora:</i>	Ver y modificar ajustes de la impresora > Configuración general > Modo de impresión



## CONFIGURACIÓN > B. SUP. ETIQ

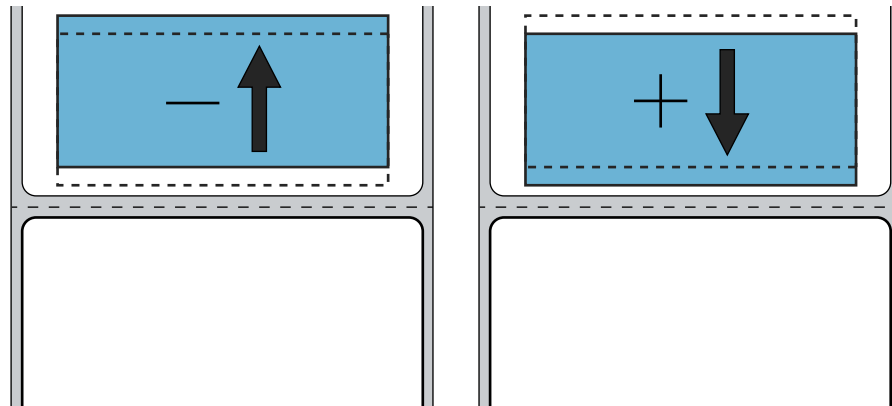
### CONFIGURACIÓN

- CONTRASTE
- VELOC IMPRESIÓN
- TIPO DE PAPEL
- MÉTODO IMPRES.
- CORTE MAN.
- ANCHO IMPRS
- MODO IMPRESIÓN
- B. SUP. ETIQ**
- POSICIÓN IZQ.
- MODAL. REIMPR.
- LONG MÁX ETIQ
- LUZ CUBRTA ABIERTA
- LUCES TRAYEC PAPEL
- LUCES TRAYEC CINTA
- IDIOMA



Si es necesario, desplace la posición de la imagen de forma vertical en la etiqueta.

- Los números negativos mueven la imagen más arriba en la etiqueta (hacia el cabezal de impresión).
- Los números positivos mueven la imagen más abajo en la etiqueta (lejos del cabezal de impresión) según una cantidad dada de puntos.

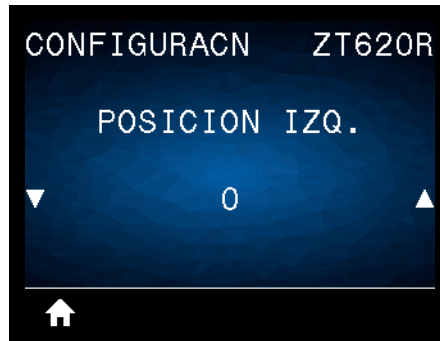


Valores aceptados:	-120 a +120
Comando(s) ZPL relacionado(s):	^LT
Comando SGD utilizado:	media.printmode
Página web de la impresora:	Ver y modificar ajustes de la impresora > Configuración general > Modo de impresión

## CONFIGURACIÓN > POSICIÓN IZQ.

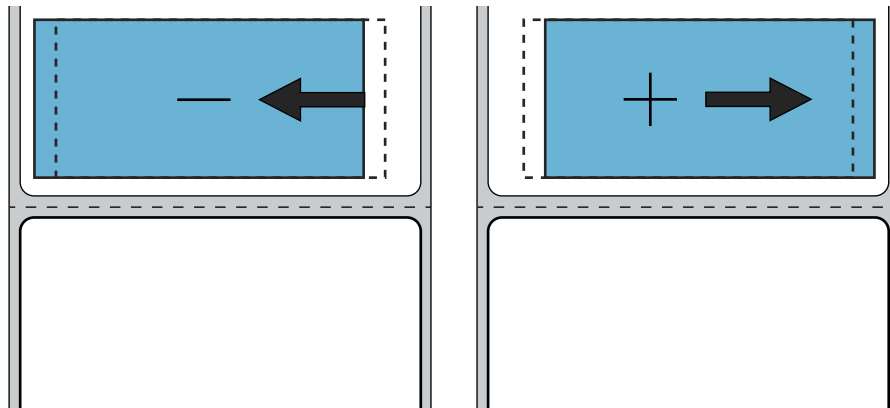
 **CONFIGURACIÓN**

- CONTRASTE
- VELOC IMPRESIÓN
- TIPO DE PAPEL
- MÉTODO IMPRES.
- CORTE MAN.
- ANCHO IMPRS
- MODO IMPRESIÓN
- B. SUP. ETIQ
- **POSICIÓN IZQ.**
- MODAL. REIMPR.
- LONG MÁX ETIQ
- LUZ CUBRTA ABIERTA
- LUCES TRAYEC PAPEL
- LUCES TRAYEC CINTA
- IDIOMA



Si es necesario, desplace la posición de la imagen de forma horizontal en la etiqueta.

- Los números negativos mueven el borde izquierdo de la imagen hacia el borde izquierdo de la etiqueta según la cantidad de puntos seleccionada.
- Los números positivos mueven el borde de la imagen hacia el borde derecho de la etiqueta.



<i>Valores aceptados:</i>	-9999 a 9999
<i>Comando(s) ZPL relacionado(s):</i>	^LS
<i>Comando SGD utilizado:</i>	zpl.left_position
<i>Página web de la impresora:</i>	Ver y modificar ajustes de la impresora > Configuración avanzada > Posición izquierda

## CONFIGURACIÓN > MODAL. REIMPR.

### CONFIGURACIÓN

- CONTRASTE
- VELOC IMPRESIÓN
- TIPO DE PAPEL
- MÉTODO IMPRES.
- CORTE MAN.
- ANCHO IMPRS
- MODO IMPRESIÓN
- B. SUP. ETIQ
- POSICIÓN IZQ.
- **MODAL. REIMPR.**
- LONG MÁX ETIQ
- LUZ CUBRTA ABIERTA
- LUCES TRAYEC PAPEL
- LUCES TRAYEC CINTA
- IDIOMA



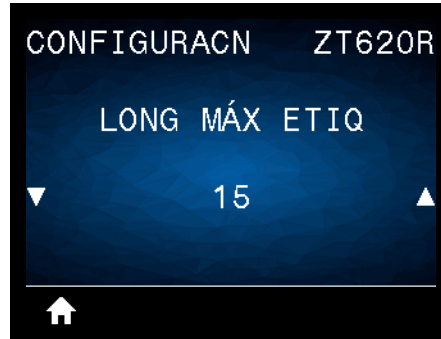
Cuando la modalidad de reimpresión está activada, se puede volver a imprimir la última etiqueta impresa manteniendo presionado PAUSE + CANCEL (Pausa + Cancelar) o presionando la FLECHA HACIA ABAJO mientras se está en la pantalla Visualización pausa de la impresora.

<i>Valores aceptados:</i>	<ul style="list-style-type: none"> <li>• ACTIVADO</li> <li>• DESACTIVADO</li> </ul>
<i>Comando(s) ZPL relacionado(s):</i>	^JZ
<i>Comando SGD utilizado:</i>	ezpl.reprint_mode

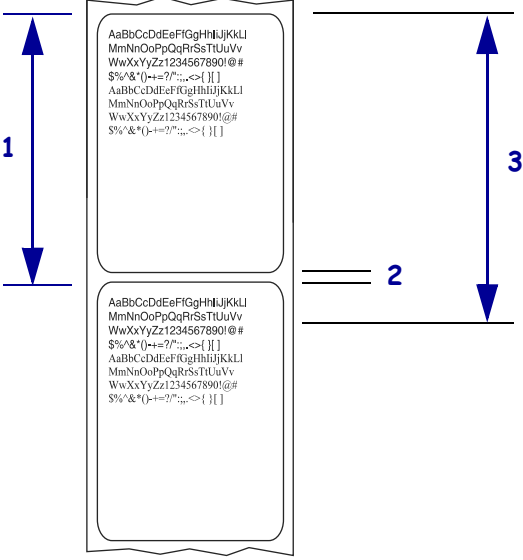
## CONFIGURACIÓN > LONG MÁX ETIQ

### CONFIGURACIÓN

- CONTRASTE
- VELOC IMPRESIÓN
- TIPO DE PAPEL
- MÉTODO IMPRES.
- CORTE MAN.
- ANCHO IMPRS
- MODO IMPRESIÓN
- B. SUP. ETIQ
- POSICIÓN IZQ.
- MODAL. REIMPR.
- **LONG MÁX ETIQ**
- LUZ CUBRTA ABIERTA
- LUCES TRAYEC PAPEL
- LUCES TRAYEC CINTA
- IDIOMA



Configure la longitud máxima de la etiqueta en un valor que sea por lo menos 25,4 mm (1,0 pulg.) mayor que la longitud real de la etiqueta más el espacio intermedio entre etiquetas. Si configura un valor demasiado pequeño, la impresora supondrá que se ha cargado papel continuo y no podrá calibrarse.

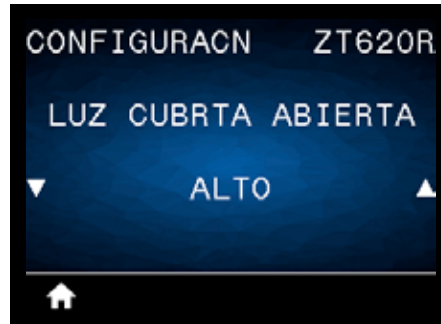
<p>Valores aceptados:</p>	<p>0 hasta la longitud máxima que admite la impresora.</p> <p>Por ejemplo, si la longitud de la etiqueta es de 152 mm (6,0 pulg.), incluido el espacio intermedio entre etiquetas, establezca el parámetro en al menos 178 mm (7,0 pulg.).</p>  <table border="1" data-bbox="609 940 1421 1108"> <tr> <td><b>1</b></td> <td>Longitud de la etiqueta (incluido el espacio intermedio entre etiquetas)</td> </tr> <tr> <td><b>2</b></td> <td>Espacio intermedio entre etiquetas</td> </tr> <tr> <td><b>3</b></td> <td>Valor de longitud mínima de la etiqueta</td> </tr> </table>	<b>1</b>	Longitud de la etiqueta (incluido el espacio intermedio entre etiquetas)	<b>2</b>	Espacio intermedio entre etiquetas	<b>3</b>	Valor de longitud mínima de la etiqueta
<b>1</b>	Longitud de la etiqueta (incluido el espacio intermedio entre etiquetas)						
<b>2</b>	Espacio intermedio entre etiquetas						
<b>3</b>	Valor de longitud mínima de la etiqueta						
<p>Comando(s) ZPL relacionado(s):</p>	<p>^ML</p>						
<p>Comando SGD utilizado:</p>	<p>ezpl.label_length_max</p>						
<p>Página web de la impresora:</p>	<p>Ver y modificar ajustes de la impresora &gt; Configuración del papel &gt; Longitud máxima</p>						

## CONFIGURACIÓN > LUZ CUBRITA ABIERTA

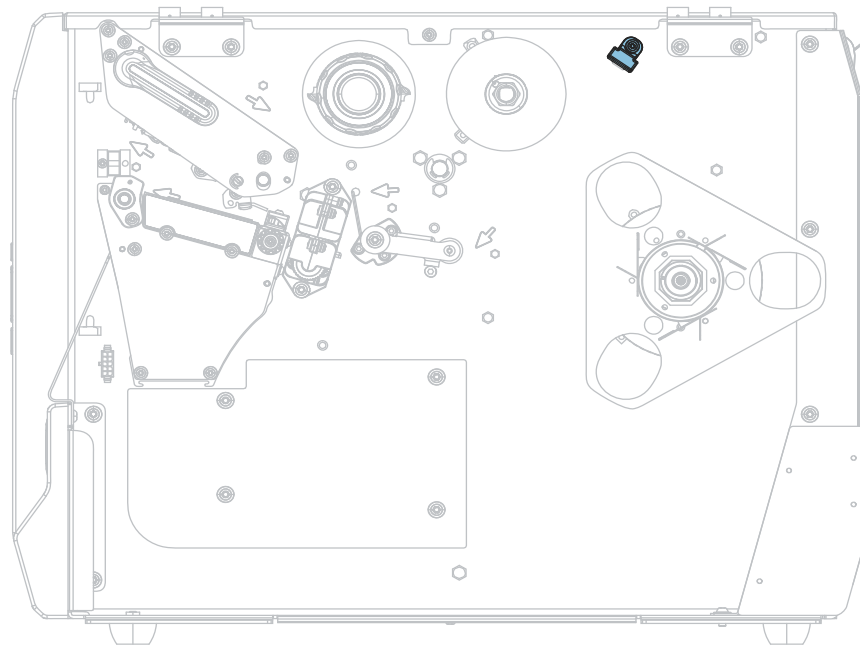


### CONFIGURACIÓN

- CONTRASTE
- VELOC IMPRESIÓN
- TIPO DE PAPEL
- MÉTODO IMPRES.
- CORTE MAN.
- ANCHO IMPRS
- MODO IMPRESIÓN
- B. SUP. ETIQ
- POSICIÓN IZQ.
- MODAL. REIMPR.
- LONG MÁX ETIQ
- **LUZ CUBRITA ABIERTA**
- LUCES TRAYEC PAPEL
- LUCES TRAYEC CINTA
- IDIOMA



Configure el brillo de la luz que se enciende cuando se abre la puerta del compartimiento del papel.

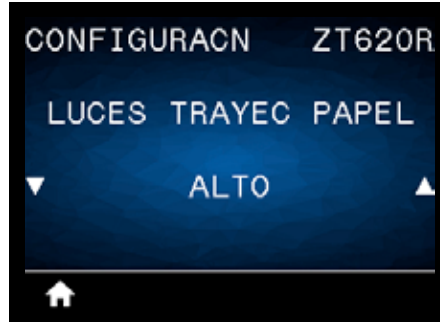


<i>Valores aceptados:</i>	<ul style="list-style-type: none"><li>• ALTA</li><li>• MEDIA</li><li>• BAJA</li><li>• DESACTIVADO</li></ul>
<i>Comando SGD utilizado:</i>	<code>device.light.cover_open_brightness</code>

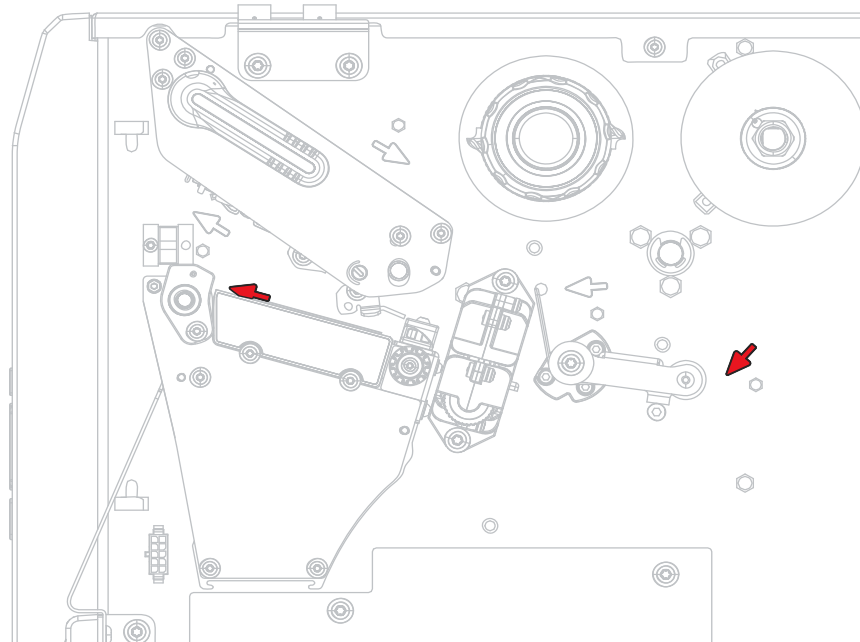
## CONFIGURACIÓN > LUCES TRAYEC PAPEL

 CONFIGURACIÓN

- CONTRASTE
- VELOC IMPRESIÓN
- TIPO DE PAPEL
- MÉTODO IMPRES.
- CORTE MAN.
- ANCHO IMPRS
- MODO IMPRESIÓN
- B. SUP. ETIQ
- POSICIÓN IZQ.
- MODAL. REIMPR.
- LONG MÁX ETIQ
- LUZ CUBRTA ABIERTA
- LUCES TRAYEC PAPEL
- LUCES TRAYEC CINTA
- IDIOMA



Configure el brillo de las luces que iluminan la trayectoria del papel cuando no hay papel.



<i>Valores aceptados:</i>	<ul style="list-style-type: none"> <li>• ALTA</li> <li>• MEDIA</li> <li>• BAJA</li> <li>• DESACTIVADO</li> </ul>
<i>Comando SGD utilizado:</i>	<code>device.light.media_path_brightness</code>

## CONFIGURACIÓN > LUCES TRAYEC CINTA

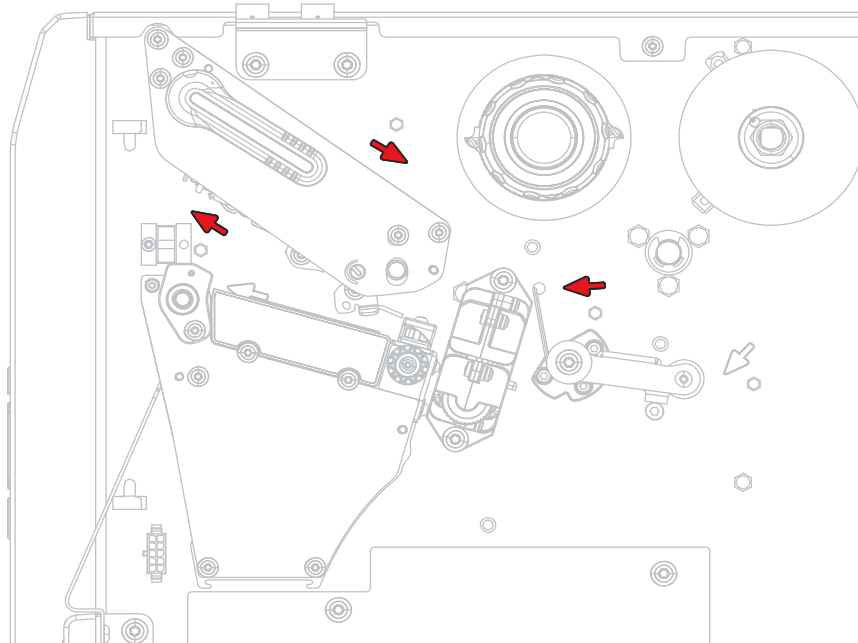


### CONFIGURACIÓN

- CONTRASTE
- VELOC IMPRESIÓN
- TIPO DE PAPEL
- MÉTODO IMPRES.
- CORTE MAN.
- ANCHO IMPRS
- MODO IMPRESIÓN
- B. SUP. ETIQ
- POSICIÓN IZQ.
- MODAL. REIMPR.
- LONG MÁX ETIQ
- LUZ CUBRTA ABIERTA
- LUCES TRAYEC PAPEL
- LUCES TRAYEC CINTA**
- IDIOMA



Configure el brillo de las luces que iluminan la trayectoria de la cinta cuando no hay cinta.



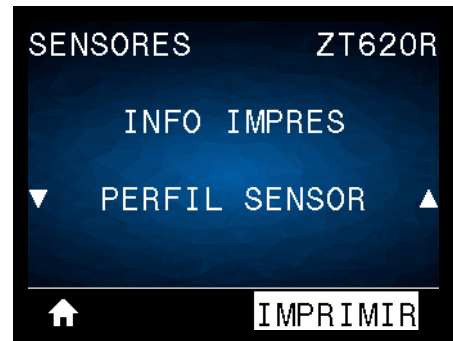
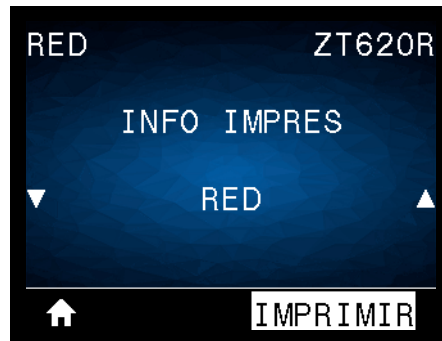
<i>Valores aceptados:</i>	<ul style="list-style-type: none"><li>• ALTA</li><li>• MEDIA</li><li>• BAJA</li><li>• DESACTIVADO</li></ul>
<i>Comando SGD utilizado:</i>	<code>device.light.ribbon_path_brightness</code>



## HERRAMIENTAS > INFO IMPRES

### HERRAMIENTAS

- INFO IMPRES
- VISUAL. PAUSA
- ENCENDIDO
- ACC CIERRE CAB
- CARGAR ORIG.
- CAL PAPEL/CINTA
- MODO DIAGNÓSTICO
- ENERGY STAR
- INFO CONFIG EN USB
- ¿ZBI ACTIVADO?
- EJECUTAR PROGRAMA ZBI
- DETENER PROG ZBI
- IMPRMR ARCH DE USB
- COPR ARCH USB A E:
- ALMAC ARCH E: EN USB
- ESTACIÓN IMPRESIÓN
- PROTECC CON CONTRASEÑA
- ERROR APLIC: PAUSA
- IMPR FORMATO PRUEB



Imprima la información especificada en una o más etiquetas. Esta opción de menú está disponible en tres menús de usuario con distintos valores predeterminados.

<p><i>Valores aceptados:</i></p>	<ul style="list-style-type: none"> <li>• <b>CONFIGURACIÓN:</b> imprime una etiqueta de configuración de la impresora. (Consulte la sección <i>INFO CONFIG EN USB</i> en la <a href="#">página 130</a> para conocer otras maneras de visualizar esta información). En la <a href="#">Figura 15 en la página 121</a> se incluye una etiqueta de muestra.</li> <li>• <b>RED:</b> imprime la configuración de cualquier servidor de impresión o dispositivo Bluetooth que esté instalado. En la <a href="#">Figura 16 en la página 121</a> se incluye una etiqueta de muestra.</li> <li>• <b>FORMATOS:</b> imprime los formatos que están disponibles y almacenados en la tarjeta de memoria RAM, de memoria flash o de memoria opcional de la impresora.</li> <li>• <b>IMÁGENES:</b> imprime las imágenes que están disponibles y almacenadas en la tarjeta de memoria RAM, de memoria flash o de memoria opcional de la impresora.</li> <li>• <b>FUENTES:</b> imprime las fuentes disponibles en la impresora, incluidas las fuentes estándar y cualquier otra fuente opcional de la impresora. Las fuentes pueden estar almacenadas en memoria RAM o flash.</li> <li>• <b>CÓDIGOS BARRA:</b> imprime los códigos de barras que están disponibles en la impresora. Los códigos de barras pueden estar almacenados en memoria RAM o flash.</li> <li>• <b>TODO:</b> imprime las seis etiquetas anteriores.</li> <li>• <b>PERFIL SENSOR:</b> muestra la configuración del sensor, comparada con las lecturas reales del sensor. Para interpretar los resultados, consulte la sección <i>Perfil de sensor</i> en la <a href="#">página 242</a>.</li> </ul>
<p><i>Comando(s) ZPL relacionado(s):</i></p>	<p>CONFIGURACIÓN: <code>~WC</code>  RED: <code>~WL</code>  PERFIL SENSOR: <code>~JG</code>  Otros: <code>^WD</code></p>
<p><i>Tecla(s) del panel de control:</i></p>	<p>CONFIGURACIÓN y RED: utilice uno de los procedimientos que se describen a continuación.</p> <ul style="list-style-type: none"> <li>• Mantenga presionado CANCEL (CANCELAR) durante la desconexión y conexión de la impresora. (Previamente este procedimiento se denominaba autoprueba CANCELAR).</li> <li>• Mantenga presionados FEED + CANCEL (AVANZAR + CANCELAR) durante 2 segundos cuando la impresora esté en estado Ready (Listo).</li> </ul> <p>PERFIL SENSOR: mantenga presionado PRINT + CANCEL (Imprimir + Cancelar) durante la desconexión y conexión de la impresora.</p>
<p><i>Página web de la impresora:</i></p>	<p>Ver y modificar configuración de impresora &gt;  Imprimir listas en la etiqueta</p>

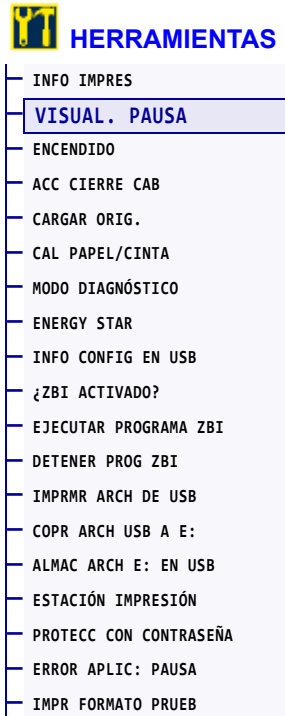
Figura 15 • Etiqueta de muestra de la configuración de la impresora

CONFIGURACION DE IMPRESORA	
Zebra Technologies ZTC ZT620R-203dpi ZPL 76J162700888	
*30.0.....	CONTRASTE
6.0 IPS.....	VELOC IMPRESION
-007.....	CORTE MAN.
CORTE MANUAL.....	MODO IMPRESION
CONTINUO.....	TIPO DE PAPEL
TRANSMISIVO.....	SELEC DETECTOR
TERMICA DIRECT.....	METODO IMPRES.
1344.....	ANCHO IMPRES
2000.....	LONG. ETIQUETA
P108882/00005 2.....	ID CARG. IMPR
15.0IN 380MM.....	LARGO MAXIMO
MANT. DESACTIV.....	ADV. PREMATURA
CONECTADA.....	COMUNIC USB
BIDIRECCIONAL.....	COM PARALELO
RS232.....	COM SERIE
9600.....	BAUDIOS
8 BITS.....	BITS DE DATOS
NINGUNA.....	PARIDAD
XON/XOFF.....	ENLACE CENTRAL
NINGUNA.....	PROTOCOLO
MODO NORMAL.....	COMUNICACIONES
< > 7EH.....	PREFIJO CONTROL
< > 5EH.....	PREFIJO FORMATO
< > 2CH.....	DELIMITADOR
ZPL II.....	MODO ZPL
INACTIVO.....	SUSTITUC COMANDO
AVANZAR.....	CONECTAR
LONGITUD.....	CIERRE C. TERM.
POR DEFECTO.....	RETORNO
+000.....	B. SUP. ETIQ.
+0000.....	POSICION IZD.
DESACTIV.....	PUERTO APLICADOR
ACTIV.....	ERROR EN PAUSA
MODAL IMPUL.....	SEÑAL CON IMP.
DESACTIV.....	MODAL. REIMPR.
080.....	SENSOR CANA
080.....	SENS. PAPEL
255.....	TOMAR ETIQUETA
027.....	MARCAR SENS.
027.....	MARC.S. PAP.
000.....	GANANC TRANS
005.....	BASE TRANS
080.....	BRILLO TRANS
002.....	GANANC MARCA
100.....	MARCAR LED
DPCSIMFXH.....	MODOS ACTIVOS
MODOS DESACTIVOS.....	MODOS DESACTIVOS
1344 8/MM COMPLETA.....	RESOLUCION
4.0.....	VERSION DE LINK-OS
V80.20.03 <.....	PROGRAMA
1.3.....	ESQUEMA XPL
6.6.0 22.09.....	ID HARDWARE
32788k.....	MEMORIA RAM
524288k.....	FLASH ABRDDO
NINGUNA.....	CONVERTIR
MM/DD/AA 24 HR.....	VISUAL PAUSA
05/11/17.....	FECHA RTR
06:39.....	HORA RTR
ACTIV.....	ZBI
2.....	VERSION ZBI
LISTO.....	ESTADO DE ZBI
TRABSE NEGRO.....	LECTOR DE RFID
20.09.00.01.....	Version HW RFID
01.03.00.18.....	Version FW RFID
USA/CANADA.....	COD REGION RFID
USA/CANADA.....	COD PAIS RFID
RFID OK.....	ESTADO ERR RFID
16.....	POT LECTURA RFID
16.....	POT ESCRIT RFID
F0.....	POSICION PROC.
0.....	CONT RFID VAL
0.....	CONT RFID ANUL
NINGUNA.....	ANTENA ADAPTATIVA
A4.....	ANTENA DE RFID
568 ETIQUETAS.....	S/REALIS CONT
568 ETIQUETAS.....	REALUSTE CONT 1
568 ETIQUETAS.....	REALUSTE CONT 2
2.776 PG.....	CONTAD NO REINIC
2.776 PG.....	REALUSTE CONT 1
2.776 PG.....	REALUSTE CONT 2
7.051 CM.....	CONTAD NO REINIC
7.051 CM.....	REALUSTE CONT 1
7.051 CM.....	REALUSTE CONT 2
00: INALAMERICO.....	RANURA 1
*** VACIO.....	RANURA 2
0.....	CONTEO ALMAC MAG
0.....	CONTEO HID
DESACTIV.....	BLOQUEO USB HOST
ESTA IMPRESORA ESTA PATENTADA	

Figura 16 • Etiqueta de muestra de la configuración de la red

CONFIGURACION DE RED	
Zebra Technologies ZTC ZT620R-203dpi ZPL 76J162700888	
Cableado.....	RED PRIMARIA
PrintServer.....	CARS CONF LAN?
INTERNAL WIRED.....	PRINTSERVER ACT
Cableado*	
ALL.....	PROTOCOL IP
192.168.000.017.....	DIRECCION IP
255.255.255.000.....	SUBRED
192.168.000.254.....	PUERTA ENLACE
000.000.000.000.....	WINS SERVER IP
31.....	TIMEOUT CHECKING
300.....	TIMEOUT VALUE
000.....	ARP INTERVAL
9100.....	BASE RAW PORT
9200.....	PUERTO CONFIG JSON
Inalámbrico	
ALL.....	PROTOCOLO IP
000.000.000.000.....	DIRECCION IP
255.255.255.000.....	SUBRED
000.000.000.000.....	PUERTA ENLACE
000.000.000.000.....	WINS SERVER IP
31.....	TIMEOUT CHECKING
300.....	TIMEOUT VALUE
000.....	ARP INTERVAL
9100.....	BASE RAW PORT
9200.....	PUERTO CONFIG JSON
INSERTED.....	TARJETA INSERTADA
02dFH.....	ID FABR TARJETA
9194H.....	ID PROD TARJETA
ac:3f:a4:b2:05:8c.....	DIRECCION MAC
31.....	CONTROLADOR INST
INFRASTRUCTURE.....	MODO FUNCIONMTO
125.....	ESSID
1.0.....	VELOC ACTUAL TX
OPEN.....	TIPO AUTENTICAC
WPA PSK.....	SEGURIDAD DE WLAN
1.....	INDICE CIFRADO
000.....	PARA SEÑAL
LONG.....	PREAMBLD
NO.....	ASOCIADO
ON.....	IMPULSO ACTIVADO
15.....	VELOCID IMPULSO
OFF.....	MODO INICIAL
USA/CANADA.....	CODIGO DE REGION
USA/CANADA.....	CODIGO DE PAIS
0x7FF.....	MASCARA CANAL
Bluetooth	
4.3.1p1.....	PROGRAMA
02/13/2015.....	FECHA
on.....	RECONDCIBLE
3.0/4.0.....	VERSION DE RADIO
on.....	ACTIV
AC:3F:A4:B2:05:8D.....	DIRECCION MAC
76J162700888.....	NOMBRE DESCRIPTIVO
no.....	CONECTADA
1.....	MODO SEGUR MIN
no.....	MODO SEGUR CONN
compatible.....	IOS
ESTA IMPRESORA ESTA PATENTADA	

## HERRAMIENTAS > VISUAL. PAUSA



Seleccione la información que se muestra en la pantalla de la impresora cuando la impresora está inactiva.

<i>Valores aceptados:</i>	<ul style="list-style-type: none"> <li>• VERSIÓN FW</li> <li>• DIRECCIÓN IP</li> <li>• MM/DD/AA 24 HR</li> <li>• MM/DD/AA 12 HR</li> <li>• DD/MM/AA 24 HR</li> <li>• DD/MM/AA 12 HR</li> </ul>
<i>Comando SGD utilizado:</i>	<pre>device.idle_display_format device.idle_display_value</pre>

## HERRAMIENTAS > ENCENDIDO

### HERRAMIENTAS

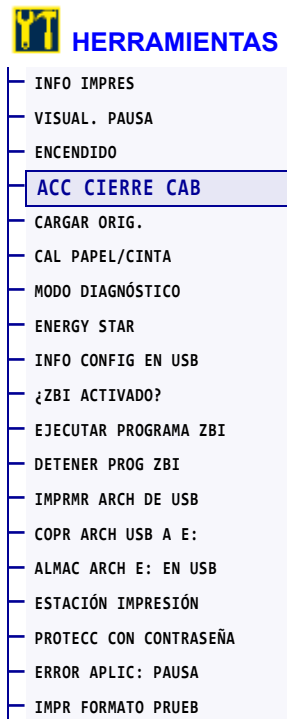
- INFO IMPRES
- VISUAL. PAUSA
- **ENCENDIDO**
- ACC CIERRE CAB
- CARGAR ORIG.
- CAL PAPEL/CINTA
- MODO DIAGNÓSTICO
- ENERGY STAR
- INFO CONFIG EN USB
- ¿ZBI ACTIVADO?
- EJECUTAR PROGRAMA ZBI
- DETENER PROG ZBI
- IMPRMR ARCH DE USB
- COPR ARCH USB A E:
- ALMAC ARCH E: EN USB
- ESTACIÓN IMPRESIÓN
- PROTECC CON CONTRASEÑA
- ERROR APLIC: PAUSA
- IMPR FORMATO PRUEB



Configure la acción que realizará la impresora durante la secuencia de desconexión y conexión.

<i>Valores aceptados:</i>	<ul style="list-style-type: none"> <li>• <b>CALIBRAR:</b> ajusta los niveles y umbrales de los sensores, determina la longitud de las etiquetas, y hace avanzar el papel hasta la banda siguiente.</li> <li>• <b>AVANZAR:</b> hace avanzar las etiquetas hasta el primer punto de registro.</li> <li>• <b>LONGITUD:</b> determina la longitud de la etiqueta a partir de los valores actuales de los sensores, y hace avanzar el papel hasta la banda siguiente.</li> <li>• <b>SIN MOVIMIENTO:</b> le indica a la impresora no mover el papel. Usted deberá controlar manualmente que la banda esté en la posición correcta o presionar Feed (Avanzar) para posicionar la banda siguiente.</li> <li>• <b>CALIBR RÁPIDA:</b> configura los umbrales del papel y de banda sin ajustar la ganancia de los sensores, determina la longitud, y hace avanzar el papel hasta la banda siguiente.</li> </ul>
<i>Comando(s) ZPL relacionado(s):</i>	^MF
<i>Comando SGD utilizado:</i>	ezpl.power_up_action
<i>Página web de la impresora:</i>	Ver y modificar ajustes de la impresora > Calibración

## HERRAMIENTAS > ACC CIERRE CAB



Configure la acción que realizará la impresora cuando usted cierre el cabezal de impresión.

<i>Valores aceptados:</i>	<ul style="list-style-type: none"> <li>• <b>CALIBRAR:</b> ajusta los niveles y umbrales de los sensores, determina la longitud de las etiquetas, y hace avanzar el papel hasta la banda siguiente.</li> <li>• <b>AVANZAR:</b> hace avanzar las etiquetas hasta el primer punto de registro.</li> <li>• <b>LONGITUD:</b> determina la longitud de la etiqueta a partir de los valores actuales de los sensores, y hace avanzar el papel hasta la banda siguiente.</li> <li>• <b>SIN MOVIMIENTO:</b> le indica a la impresora no mover el papel. Usted deberá controlar manualmente que la banda esté en la posición correcta o presionar Feed (Avanzar) para posicionar la banda siguiente.</li> <li>• <b>CALIBR RÁPIDA:</b> configura los umbrales del papel y de banda sin ajustar la ganancia de los sensores, determina la longitud, y hace avanzar el papel hasta la banda siguiente.</li> </ul>
<i>Comando(s) ZPL relacionado(s):</i>	^MF
<i>Comando SGD utilizado:</i>	ezpl.head_close_action
<i>Página web de la impresora:</i>	Ver y modificar ajustes de la impresora > Calibración

## HERRAMIENTAS > CARGAR ORIG.

### HERRAMIENTAS

- INFO IMPRES
- VISUAL. PAUSA
- ENCENDIDO
- ACC CIERRE CAB
- **CARGAR ORIG.**
- CAL PAPEL/CINTA
- MODO DIAGNÓSTICO
- ENERGY STAR
- INFO CONFIG EN USB
- ¿ZBI ACTIVADO?
- EJECUTAR PROGRAMA ZBI
- DETENER PROG ZBI
- IMPRMR ARCH DE USB
- COPR ARCH USB A E:
- ALMAC ARCH E: EN USB
- ESTACIÓN IMPRESIÓN
- PROTECC CON CONTRASEÑA
- ERROR APLIC: PAUSA
- IMPR FORMATO PRUEB



Restablezca la configuración de la impresora, del servidor de impresión y de la red a los valores predeterminados de fábrica. Tenga cuidado cuando cargue los valores predeterminados, porque necesitará volver a cargar todos los ajustes que cambió manualmente. Esta opción de menú está disponible en dos menús de usuario con distintos valores predeterminados.

<i>Valores aceptados:</i>	<ul style="list-style-type: none"> <li>• <b>FÁBRICA:</b> restablece todas las configuraciones de la impresora — que no sean los parámetros de configuración de red— a los valores predeterminados de fábrica. Tenga cuidado cuando cargue los valores predeterminados, porque necesitará volver a cargar todos los ajustes que cambió manualmente.</li> <li>• <b>RED:</b> reinicializa el servidor de impresión cableado o inalámbrico de la impresora. Si utiliza un servidor de impresión inalámbrico, la impresora también volverá a asociarse con su red inalámbrica.</li> <li>• <b>ÚLTIMO GUARDADO:</b> carga las configuraciones a partir de la última configuración guardada de forma permanente.</li> </ul>
<i>Comando(s) ZPL relacionado(s):</i>	<p>FÁBRICA: ^JUF                  RED: ^JUN                  ÚLTIMO GUARDADO: ^JUR</p>

<i>Tecla(s) del panel de control:</i>	<p>FÁBRICA: mantenga presionado FEED + PAUSE (Avanzar + Pausa) durante la desconexión y conexión de la impresora para restablecer los parámetros de la impresora a los valores predeterminados de fábrica. (Anteriormente, este procedimiento se denominaba autoprueba FEED + PAUSE).</p> <p>RED: mantenga presionado CANCEL + PAUSE (Cancelar + Pausa) durante la desconexión y conexión de la impresora para restablecer los parámetros de la red a los valores predeterminados de fábrica. (Previamente este procedimiento se denominaba autoprueba CANCEL + PAUSE (Cancelar + Pausa).</p> <p>ÚLTIMO GUARDADO: N/D</p>
<i>Página web de la impresora:</i>	<p>FÁBRICA: Ver y modificar ajustes de la impresora &gt; Restablecer la configuración predeterminada</p> <p>RED: Configuración de servidor de impresión &gt; Restablecer el servidor de impresión</p> <p>ÚLTIMO GUARDADO: Ver y modificar ajustes de la impresora &gt; Restablecer la configuración guardada</p>



## HERRAMIENTAS > CAL PAPEL/CINTA


### HERRAMIENTAS

- INFO IMPRES
- VISUAL. PAUSA
- ENCENDIDO
- ACC CIERRE CAB
- CARGAR ORIG.
- **CAL PAPEL/CINTA**
- MODO DIAGNÓSTICO
- ENERGY STAR
- INFO CONFIG EN USB
- ¿ZBI ACTIVADO?
- EJECUTAR PROGRAMA ZBI
- DETENER PROG ZBI
- IMPRMR ARCH DE USB
- COPR ARCH USB A E:
- ALMAC ARCH E: EN USB
- ESTACIÓN IMPRESIÓN
- PROTECC CON CONTRASEÑA
- ERROR APLIC: PAUSA
- IMPR FORMATO PRUEB



Calibre la impresora para ajustar la sensibilidad de los sensores de papel y de cinta.

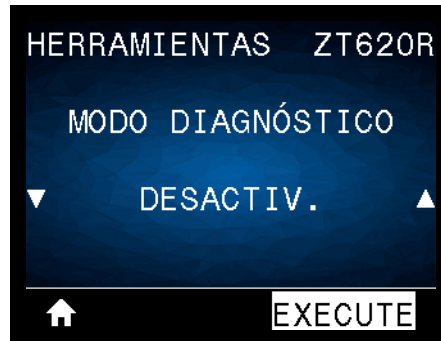
Para obtener las instrucciones completas sobre cómo realizar un procedimiento de calibración, consulte la sección [Calibrar los sensores de cinta y de papel en la página 193](#).

<i>Comando(s) ZPL relacionado(s):</i>	~JC
<i>Comando SGD utilizado:</i>	ezpl.manual_calibration
<i>Tecla(s) del panel de control:</i>	Mantenga presionados PAUSE + FEED + CANCEL (PAUSA + ALIMENTACIÓN + CANCELAR) durante 2 segundos para iniciar la calibración.
<i>Página web de la impresora:</i>	<p>No se puede iniciar el procedimiento de calibración desde las páginas web. Consulte la siguiente página web para obtener información sobre la configuración que se establece durante la calibración del sensor.</p> <p>Ver y modificar ajustes de la impresora &gt; Calibración</p> <p> <b>Importante</b> • No cambie esta configuración a menos que la Asistencia técnica de Zebra o un técnico de servicio autorizado se lo indiquen.</p>

## HERRAMIENTAS > MODO DIAGNÓSTICO

### HERRAMIENTAS

—	INFO IMPRES
—	VISUAL. PAUSA
—	ENCENDIDO
—	ACC CIERRE CAB
—	CARGAR ORIG.
—	CAL PAPEL/CINTA
—	<b>MODO DIAGNÓSTICO</b>
—	ENERGY STAR
—	INFO CONFIG EN USB
—	¿ZBI ACTIVADO?
—	EJECUTAR PROGRAMA ZBI
—	DETENER PROG ZBI
—	IMPRMR ARCH DE USB
—	COPR ARCH USB A E:
—	ALMAC ARCH E: EN USB
—	ESTACIÓN IMPRESIÓN
—	PROTECC CON CONTRASEÑA
—	ERROR APLIC: PAUSA
—	IMPR FORMATO PRUEB



Utilice esta herramienta de diagnóstico para hacer que la impresora muestre los valores hexadecimales para todos los datos que recibió la impresora. Para obtener más información, consulte [Prueba de diagnóstico de comunicaciones en la página 241](#).

<i>Valores aceptados:</i>	<ul style="list-style-type: none"> <li>• <b>DESACTIVADO</b></li> <li>• <b>ACTIVADO</b></li> </ul>
<i>Comando(s) ZPL relacionado(s):</i>	~JD para activar, ~JE para desactivar
<i>Comando SGD utilizado:</i>	<code>device.diagnostic_print</code>
<i>Tecla(s) del panel de control:</i>	Mantenga presionados PAUSE + FEED (PAUSA + ALIMENTACIÓN) durante 2 segundos cuando la impresora esté en estado Ready (Lista).

## HERRAMIENTAS > ENERGY STAR

### HERRAMIENTAS

- INFO IMPRES
- VISUAL. PAUSA
- ENCENDIDO
- ACC CIERRE CAB
- CARGAR ORIG.
- CAL PAPEL/CINTA
- MODO DIAGNÓSTICO
- **ENERGY STAR**
- INFO CONFIG EN USB
- ¿ZBI ACTIVADO?
- EJECUTAR PROGRAMA ZBI
- DETENER PROG ZBI
- IMPRMR ARCH DE USB
- COPR ARCH USB A E:
- ALMAC ARCH E: EN USB
- ESTACIÓN IMPRESIÓN
- PROTECC CON CONTRASEÑA
- ERROR APLIC: PAUSA
- IMPR FORMATO PRUEB



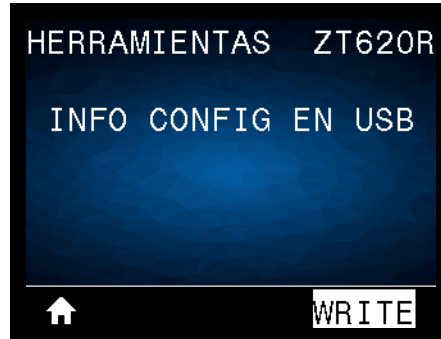
Cuando el modo Energy Star está activado, la impresora entra en estado “inactivo” después de un período de tiempo de espera, lo que permite reducir el consumo de energía. Presione cualquier botón del panel de control para que la impresora vuelva al estado activo.

<i>Valores aceptados:</i>	<ul style="list-style-type: none"> <li>• <b>ACTIVADO</b></li> <li>• <b>DESACTIVADO</b></li> </ul>
<i>Comando SGD utilizado:</i>	<p><code>power.energy_star.enable</code>  <code>power.energy_star_timeout</code>                  (para establecer la cantidad de tiempo de inactividad antes de que se active Energy Star)</p>

## HERRAMIENTAS > INFO CONFIG EN USB

### HERRAMIENTAS

- INFO IMPRES
- VISUAL. PAUSA
- ENCENDIDO
- ACC CIERRE CAB
- CARGAR ORIG.
- CAL PAPEL/CINTA
- MODO DIAGNÓSTICO
- ENERGY STAR
- INFO CONFIG EN USB
- ¿ZBI ACTIVADO?
- EJECUTAR PROGRAMA ZBI
- DETENER PROG ZBI
- IMPRMR ARCH DE USB
- COPR ARCH USB A E:
- ALMAC ARCH E: EN USB
- ESTACIÓN IMPRESIÓN
- PROTECC CON CONTRASEÑA
- ERROR APLIC: PAUSA
- IMPR FORMATO PRUEB



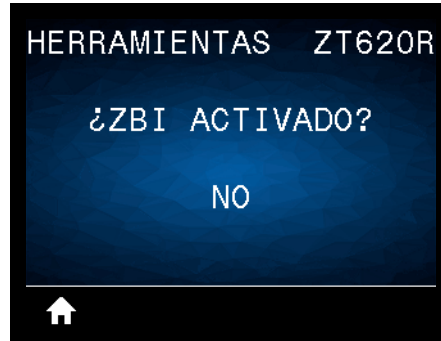
Utilice esta función para copiar la información de configuración de la impresora en un dispositivo de almacenamiento masivo USB, por ejemplo, en una unidad flash USB, conectado a uno de los puertos USB host de la impresora. Esto permite que la información esté accesible sin tener que imprimir etiquetas físicas. Para imprimir la información en etiquetas, consulte la sección [INFO IMPRES](#) en la página 119.

<i>Comando(s) ZPL relacionado(s):</i>	^HH: devuelve la información de configuración de la impresora que se devolvió a la computadora host.
<i>Página web de la impresora:</i>	<p>Página principal de la impresora &gt; Ver configuración de la impresora (para ver la información de configuración de la impresora en su explorador web)</p> <p>Ver y modificar configuración de impresora &gt; Imprimir listas en la etiqueta (para imprimir la información de la configuración en las etiquetas)</p>

## HERRAMIENTAS > ¿ZBI ACTIVADO?

### HERRAMIENTAS

- INFO IMPRES
- VISUAL. PAUSA
- ENCENDIDO
- ACC CIERRE CAB
- CARGAR ORIG.
- CAL PAPEL/CINTA
- MODO DIAGNÓSTICO
- ENERGY STAR
- INFO CONFIG EN USB
- **¿ZBI ACTIVADO?**
- EJECUTAR PROGRAMA ZBI
- DETENER PROG ZBI
- IMPRMR ARCH DE USB
- COPR ARCH USB A E:
- ALMAC ARCH E: EN USB
- ESTACIÓN IMPRESIÓN
- PROTECC CON CONTRASEÑA
- ERROR APLIC: PAUSA
- IMPR FORMATO PRUEB



El Intérprete Basic de Zebra (ZBI 2.0™) es una opción de programación que puede comprar para su impresora. Si desea adquirir esta opción, comuníquese con su revendedor de Zebra para obtener más información.

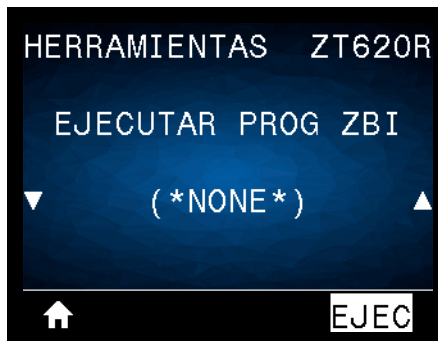
*Comando SGD utilizado:*

**zbi.key** (identifica si la opción ZBI 2.0 está activada o desactivada en la impresora)

## HERRAMIENTAS > EJECUTAR PROGRAMA ZBI

### HERRAMIENTAS

INFO IMPRES
VISUAL. PAUSA
ENCENDIDO
ACC CIERRE CAB
CARGAR ORIG.
CAL PAPEL/CINTA
MODO DIAGNÓSTICO
ENERGY STAR
INFO CONFIG EN USB
¿ZBI ACTIVADO?
<b>EJECUTAR PROGRAMA ZBI</b>
DETENER PROG ZBI
IMPRMR ARCH DE USB
COPR ARCH USB A E:
ALMAC ARCH E: EN USB
ESTACIÓN IMPRESIÓN
PROTECC CON CONTRASEÑA
ERROR APLIC: PAUSA
IMPR FORMATO PRUEB



\* Esta opción de menú solo aparecerá si ZBI está activado en su impresora.

Si se han descargado programas ZBI en su impresora, puede seleccionar uno para ejecutarlo utilizando esta opción de menú. Si no existe ningún programa en su impresora, se mostrará NINGUNO.

### Para ejecutar un programa ZBI que ha descargado en su impresora:

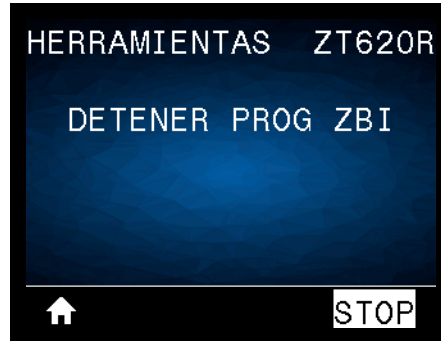
1. Utilice la FLECHA HACIA ARRIBA o la FLECHA HACIA ABAJO para elegir un archivo desde este menú.
2. Presione el BOTÓN DE SELECCIÓN DERECHO para seleccionar **EJECUTAR**. Si no existe ningún programa, la opción **EJECUTAR** no ejecutará ninguna acción.

Comando(s) ZPL relacionado(s):	^JI, ~JI
Comando SGD utilizado:	zbi.control.run
Página web de la impresora:	Página principal de la impresora > Lista de directorios

## HERRAMIENTAS > DETENER PROG ZBI

### HERRAMIENTAS

INFO IMPRES
VISUAL. PAUSA
ENCENDIDO
ACC CIERRE CAB
CARGAR ORIG.
CAL PAPEL/CINTA
MODO DIAGNÓSTICO
ENERGY STAR
INFO CONFIG EN USB
¿ZBI ACTIVADO?
EJECUTAR PROGRAMA ZBI
<b>DETENER PROG ZBI</b>
IMPRMR ARCH DE USB
COPR ARCH USB A E:
ALMAC ARCH E: EN USB
ESTACIÓN IMPRESIÓN
PROTECC CON CONTRASEÑA
ERROR APLIC: PAUSA
IMPR FORMATO PRUEB



\* Esta opción de menú solo aparecerá si se está ejecutando un programa ZBI en su impresora.

Utilice esta opción del menú para detener un programa ZBI. La impresora solo mostrará los programas que se estén ejecutando.

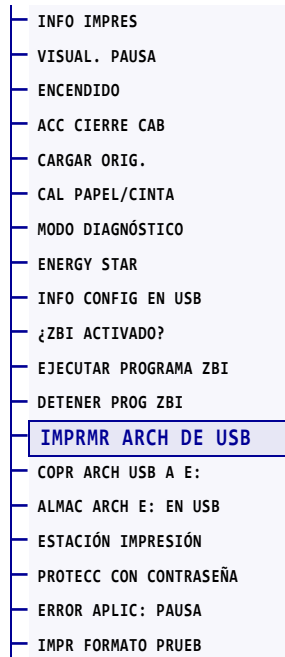
### Para detener un programa ZBI:

1. Si es necesario, utilice la FLECHA HACIA ARRIBA o la FLECHA HACIA ABAJO para seleccionar el archivo desde este menú.
2. Presione el BOTÓN DE SELECCIÓN DERECHO para hacer clic en **PARAR**.

Comando(s) ZPL relacionado(s):	~JQ
Comando SGD utilizado:	zbi.control.terminate
Página web de la impresora:	Página principal de la impresora > Lista de directorios

## HERRAMIENTAS > IMPRMR ARCH DE USB

### HERRAMIENTAS



\* Esta opción de menú solo se podrá utilizar si se coloca una unidad flash USB en un puerto USB host de la impresora.

Seleccione archivos para imprimir desde una unidad flash USB Consulte los ejercicios en [Uso de los puertos USB host y de las capacidades de NFC en la página 265](#) para ver cómo se utiliza esta capacidad.

### Para imprimir archivos desde una unidad flash USB:

1. Inserte una unidad flash USB en el puerto USB host.  
La impresora enumerará los archivos disponibles. Usted podrá utilizar la opción **SELECCIONAR TODO** para imprimir todos los archivos disponibles en la unidad flash USB.
2. Utilice la FLECHA HACIA ARRIBA o la FLECHA HACIA ABAJO para elegir un archivo desde este menú.
3. Presione el BOTÓN DE SELECCIÓN DERECHO para seleccionar **IMPRMIR**.

Comando SGD utilizado:

`usb.host.read_list`



## HERRAMIENTAS > COPR ARCH USB A E:

### HERRAMIENTAS

- INFO IMPRES
- VISUAL. PAUSA
- ENCENDIDO
- ACC CIERRE CAB
- CARGAR ORIG.
- CAL PAPEL/CINTA
- MODO DIAGNÓSTICO
- ENERGY STAR
- INFO CONFIG EN USB
- ¿ZBI ACTIVADO?
- EJECUTAR PROGRAMA ZBI
- DETENER PROG ZBI
- IMPRMR ARCH DE USB
- **COPR ARCH USB A E:**
- ALMAC ARCH E: EN USB
- ESTACIÓN IMPRESIÓN
- PROTECC CON CONTRASEÑA
- ERROR APLIC: PAUSA
- IMPR FORMATO PRUEB



\* Esta opción de menú solo se podrá utilizar si se coloca una unidad flash USB en un puerto USB host de la impresora.

Seleccione archivos para copiar a la impresora desde una unidad flash USB. Consulte los ejercicios en [Uso de los puertos USB host y de las capacidades de NFC en la página 265](#) para ver cómo se utiliza esta capacidad.

### Para copiar archivos a la impresora desde una unidad flash USB:

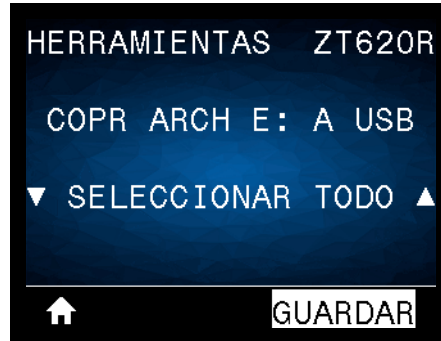
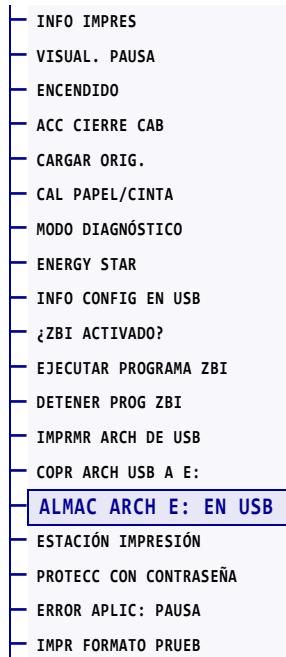
1. Inserte una unidad flash USB en el puerto USB host.  
 La impresora enumerará los archivos disponibles. Usted podrá utilizar la opción **SELECCIONAR TODO** para copiar todos los archivos disponibles desde la unidad flash USB.
2. Utilice la FLECHA HACIA ARRIBA o la FLECHA HACIA ABAJO para elegir un archivo desde este menú.
3. Presione el BOTÓN DE SELECCIÓN DERECHO para seleccionar **ALMACENAR**.

Comando SGD utilizado:

`usb.host.read_list`

## HERRAMIENTAS > ALMAC ARCH E: EN USB

### HERRAMIENTAS



\* Esta opción de menú solo se podrá utilizar si se coloca una unidad flash USB en un puerto USB host de la impresora.

Seleccione archivos de la impresora para almacenarlos en una unidad flash USB. Consulte los ejercicios en [Uso de los puertos USB host y de las capacidades de NFC en la página 265](#) para ver cómo se utiliza esta capacidad.

### Para copiar archivos desde la impresora a una unidad flash USB:

1. Inserte una unidad flash USB en el puerto USB host.  
La impresora enumerará los archivos disponibles. Podrá utilizar la opción **SELECCIONAR TODO** para almacenar en la unidad flash USB todos los archivos disponibles en la impresora.
2. Utilice la FLECHA HACIA ARRIBA o la FLECHA HACIA ABAJO para elegir un archivo desde este menú.
3. Presione el BOTÓN DE SELECCIÓN DERECHO para seleccionar **ALMACENAR**.

Comando SGD utilizado:

usb.host.write\_list

## HERRAMIENTAS > ESTACIÓN IMPRESIÓN

### HERRAMIENTAS

- INFO IMPRES
- VISUAL. PAUSA
- ENCENDIDO
- ACC CIERRE CAB
- CARGAR ORIG.
- CAL PAPEL/CINTA
- MODO DIAGNÓSTICO
- ENERGY STAR
- INFO CONFIG EN USB
- ¿ZBI ACTIVADO?
- EJECUTAR PROGRAMA ZBI
- DETENER PROG ZBI
- IMPRMR ARCH DE USB
- COPR ARCH USB A E:
- ALMAC ARCH E: EN USB
- **ESTACIÓN IMPRESIÓN**
- PROTECC CON CONTRASEÑA
- ERROR APLIC: PAUSA
- IMPR FORMATO PRUEB



\* Esta opción de menú solo se podrá utilizar si se coloca una unidad flash USB que tenga el formato de etiqueta apropiado en un puerto USB host de la impresora.

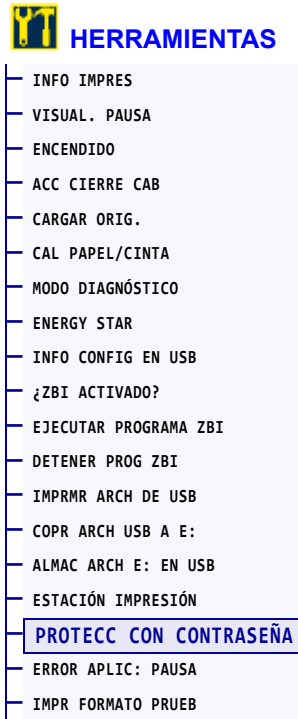
Utilice esta opción de menú para completar campos de variables en un formato de etiqueta e imprimir la etiqueta mediante el uso de un dispositivo de entrada humana (HID, por su sigla en inglés), como un escáner de código de barras, una balanza o un teclado USB. Para que la opción esté disponible, debe haber un formato de etiqueta apropiado en la unidad E: de la impresora. Consulte los ejercicios en *Uso de los puertos USB host y de las capacidades de NFC en la página 265* para ver cómo se utiliza esta capacidad.

Cuando conecte un HID en uno de los puertos USB host de la impresora, utilice este menú de usuario para seleccionar un formulario en la unidad E: de la impresora. Una vez que se le haya solicitado que complete cada campo de variables ^FN en el formulario, usted podrá especificar la cantidad de etiquetas que desee imprimir.

Para obtener más información sobre el uso del comando ^FN o los comandos SGD relacionados, remítase a *Zebra Programming Guide* (Guía de programación de Zebra). Puede descargar una copia del manual desde el sitio web de Zebra: <http://www.zebra.com/manuals>.

<i>Comando SGD utilizado:</i>	usb.host.keyboard_input (debe estar ON [Activo]) usb.host.template_list usb.host.fn_field_list usb.host.fn_field_data usb.host.fn_last_field usb.host.template_print_amount
-------------------------------	--

## HERRAMIENTAS > PROTECC CON CONTRASEÑA



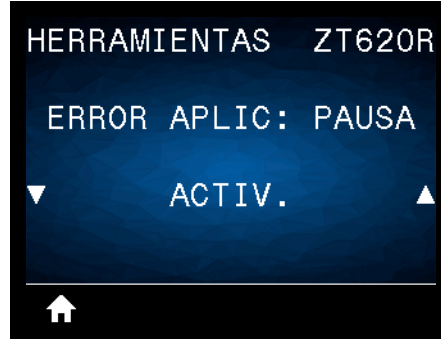
Seleccione el nivel de protección con contraseña para las opciones del menú de usuario. La contraseña predeterminada de la impresora es **1234**.

<i>Valores aceptados:</i>	<ul style="list-style-type: none"><li>• NINGUNA</li><li>• SELECCIONADA</li><li>• TODO</li></ul>
<i>Comando(s) ZPL relacionado(s):</i>	^KP (para cambiar la contraseña de la impresora)

## HERRAMIENTAS > ERROR APLIC: PAUSA

### HERRAMIENTAS

- INFO IMPRES
- VISUAL. PAUSA
- ENCENDIDO
- ACC CIERRE CAB
- CARGAR ORIG.
- CAL PAPEL/CINTA
- MODO DIAGNÓSTICO
- ENERGY STAR
- INFO CONFIG EN USB
- ¿ZBI ACTIVADO?
- EJECUTAR PROGRAMA ZBI
- DETENER PROG ZBI
- IMPRMR ARCH DE USB
- COPR ARCH USB A E:
- ALMAC ARCH E: EN USB
- ESTACIÓN IMPRESIÓN
- PROTECC CON CONTRASEÑA
- **ERROR APLIC: PAUSA**
- IMPR FORMATO PRUEB

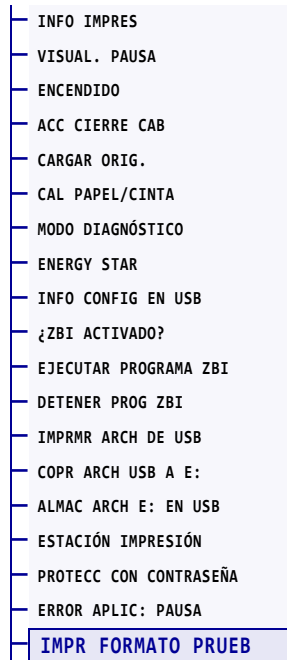


Cuando esta opción está activada y la impresora está en pausa, la impresora configura el estado de error del aplicador.

<i>Valores aceptados:</i>	<ul style="list-style-type: none"> <li>• <b>ACTIVADO</b></li> <li>• <b>DESACTIVADO</b></li> </ul>
<i>Comando(s) ZPL relacionado(s):</i>	~JJ
<i>Página web de la impresora:</i>	Ver y modificar configuración de impresora > Configuración avanzada > Error en pausa

## HERRAMIENTAS > IMPR FORMATO PRUEB

### HERRAMIENTAS



Utilice esta opción de menú para iniciar las secuencias de prueba que imprimen tipos de etiquetas específicos con el fin de ayudarlo a solucionar problemas de la impresión. Consulte la sección [Opción Imprimir formato de prueba en la página 234](#) para obtener muestras de las etiquetas e información adicional.

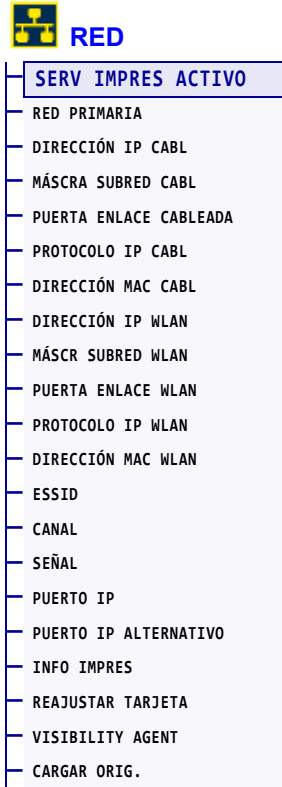
#### Valores aceptados:

- **CONTRASTE:** ejecuta una imagen repetida incrementando el nivel de contraste.
- **UBICACIÓN 1.º PTO:** identifica la ubicación del primer punto y la parte superior de la etiqueta para ajustar más fácilmente la posición de la etiqueta.
- **LÍNEA DE IMPRESIÓN:** inicia una secuencia de prueba. Consulte la sección [LÍNEA DE IMPRESIÓN en la página 236](#) para obtener detalles.\*
- **COMPRESIÓN IMAGEN:** imprime una imagen con líneas y círculos para ayudarlo a solucionar problemas relacionados con la compresión o la extensión de una imagen.
- **ELEMENT FUERA FUNC:** imprime una imagen horizontal diseñada para mostrar si un elemento del cabezal de impresión no está funcionando.

<i>Comando SGD utilizado:</i>	<code>print.troubleshooting_label_choices</code> (especifica el tipo de etiqueta) <code>print.troubleshooting_label_print</code> (imprime la etiqueta)
<i>Tecla(s) del panel de control:</i>	Como forma alternativa de iniciar la secuencia de prueba <b>LÍNEA DE IMPRESIÓN</b> , reinicie la impresora mientras mantiene presionada la tecla <b>PAUSE (PAUSA)</b> . Mantenga presionada <b>PAUSE</b> hasta que se apague la primera luz del panel de control. (Anteriormente, este procedimiento se denominaba <b>autoprueba PAUSE</b> ).*

\* Esta secuencia de prueba imprime una gran cantidad de etiquetas. Consulte la sección [LÍNEA DE IMPRESIÓN](#) en la página 236 para obtener más información.

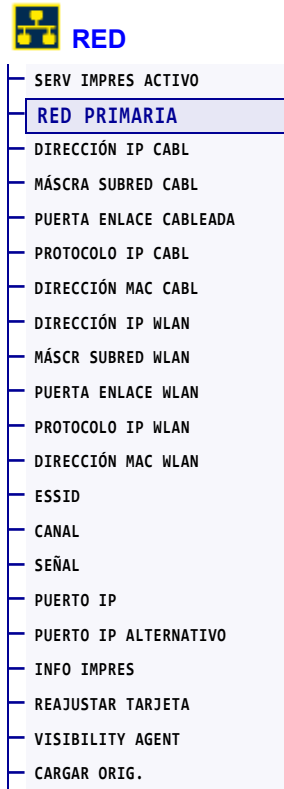
## RED > SERV IMPRES ACTIVO



Compruebe si el servidor de impresión cableado o inalámbrico está activo.

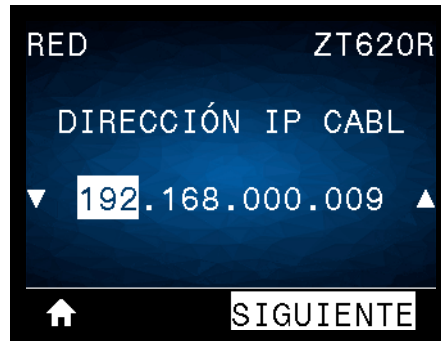
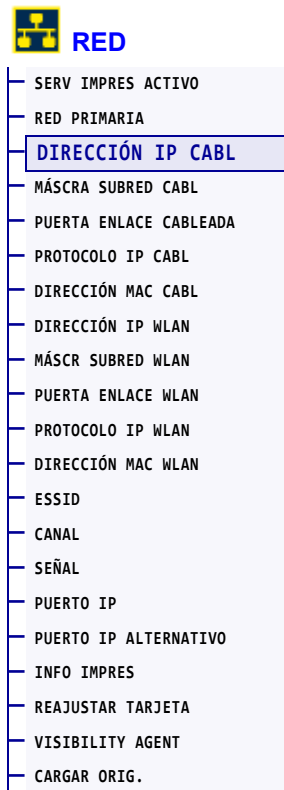


## RED > RED PRIMARIA



Compruebe si el servidor de impresión cableado o inalámbrico se considera como el servidor primario y modifíquelo, si lo desea. Puede seleccionar cuál de los dos es el servidor primario.

## RED > DIRECCIÓN IP CABL

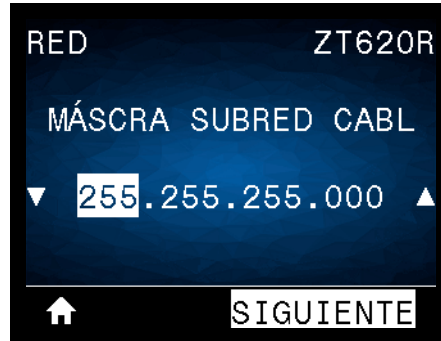
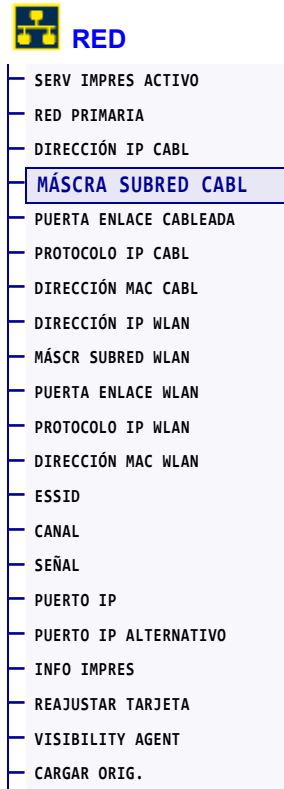


Vea y cambie la dirección IP cableada de la impresora, si es necesario.

Para guardar los cambios de esta configuración, establezca el *PROTOCOLO IP CABL* en la [página 147](#) en PERMANENTE y luego reinicie servidor de impresión (consulte la sección *REAJUSTAR TARJETA* en la [página 159](#)). Consulte la sección *Resolución de direcciones IP* en la [página 262](#) para obtener más información.

<i>Valores aceptados:</i>	000 a 255 para cada campo
<i>Comando(s) ZPL relacionado(s):</i>	^ND
<i>Comando SGD utilizado:</i>	internal_wired.ip.addr
<i>Página web de la impresora:</i>	Ver y modificar configuración de impresora > Configuración de comunicaciones de red > Configuración de TCP/IP

## RED > MÁSCRA SUBRED CABL

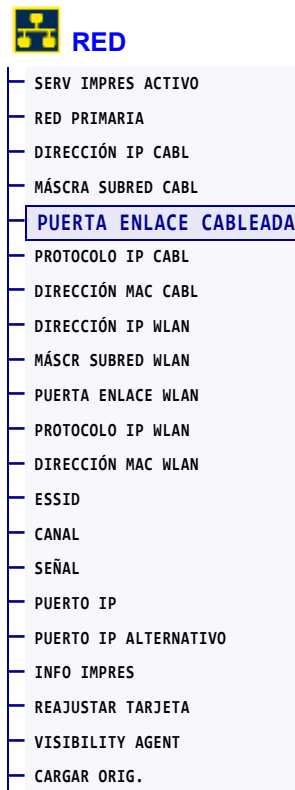


Vea la máscara de subred cableada y cámbiela si es necesario.

Para guardar los cambios de esta configuración, establezca el *PROTOCOLO IP CABL* en la [página 147](#) en PERMANENTE y luego reinicie servidor de impresión (consulte la sección *REAJUSTAR TARJETA* en la [página 159](#)). Consulte la sección *Resolución de direcciones IP* en la [página 262](#) para obtener más información.

<i>Valores aceptados:</i>	000 a 255 para cada campo
<i>Comando(s) ZPL relacionado(s):</i>	^ND
<i>Comando SGD utilizado:</i>	internal_wired.ip.netmask
<i>Página web de la impresora:</i>	Ver y modificar configuración de impresora > Configuración de comunicaciones de red > Configuración de TCP/IP

## RED > PUERTA ENLACE CABLEADA

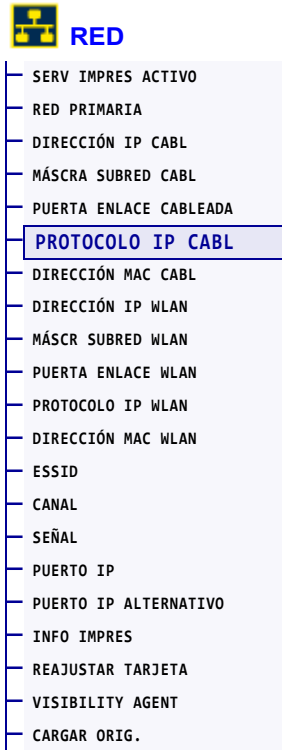


Vea la puerta de enlace cableada predeterminada y cámbiela si es necesario.

Para guardar los cambios de esta configuración, establezca el *PROTOCOLO IP CABL* en la [página 147](#) en PERMANENTE y luego reinicie servidor de impresión (consulte la sección *REAJUSTAR TARJETA* en la [página 159](#)). Consulte la sección *Resolución de direcciones IP* en la [página 262](#) para obtener más información.

<i>Valores aceptados:</i>	000 a 255 para cada campo
<i>Comando(s) ZPL relacionado(s):</i>	^ND
<i>Comando SGD utilizado:</i>	internal_wired.ip.gateway
<i>Página web de la impresora:</i>	Ver y modificar configuración de impresora > Configuración de comunicaciones de red > Configuración de TCP/IP

## RED > PROTOCOLO IP CABL



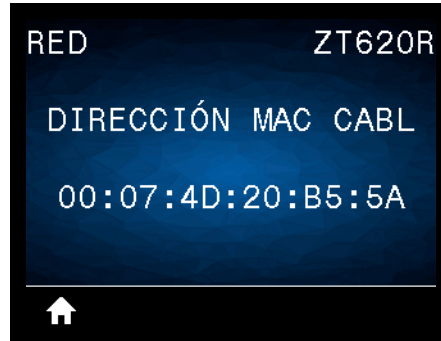
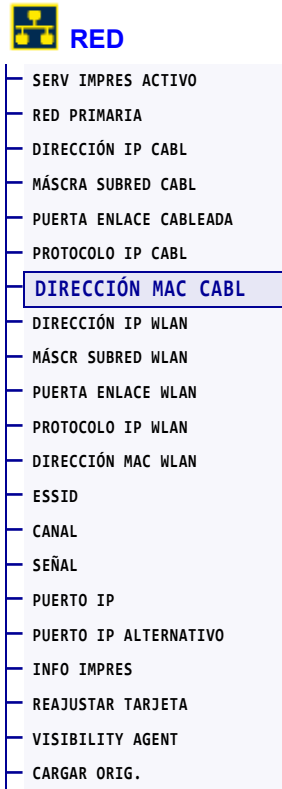
Este parámetro indica si a la dirección IP del servidor de impresión cableado la selecciona el usuario (de forma permanente) o el servidor (de forma dinámica). Si se elige una opción dinámica, el parámetro determina los métodos mediante los cuales este servidor de impresión recibe la dirección IP desde el servidor. Consulte la sección [Resolución de direcciones IP en la página 262](#) para obtener más información.



**Importante** • Debe reiniciar el servidor de impresión para permitir que los cambios de la configuración de la red tengan efecto.

<i>Valores aceptados:</i>	<ul style="list-style-type: none"> <li>• TODO</li> <li>• SOLO GLEANING</li> <li>• RARP</li> <li>• BOOTP</li> <li>• DHCP</li> <li>• DHCP &amp; BOOTP</li> <li>• PERMANENTE</li> </ul>
<i>Comando(s) ZPL relacionado(s):</i>	^ND
<i>Comando SGD utilizado:</i>	internal_wired.ip.protocol
<i>Página web de la impresora:</i>	Ver y modificar configuración de impresora > Configuración de comunicaciones de red > Configuración de TCP/IP

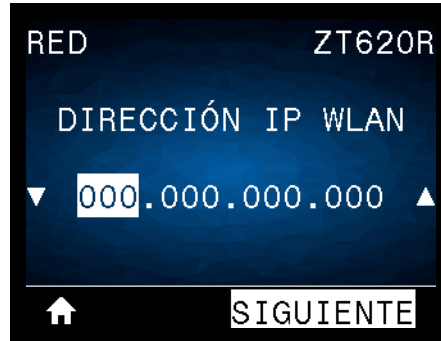
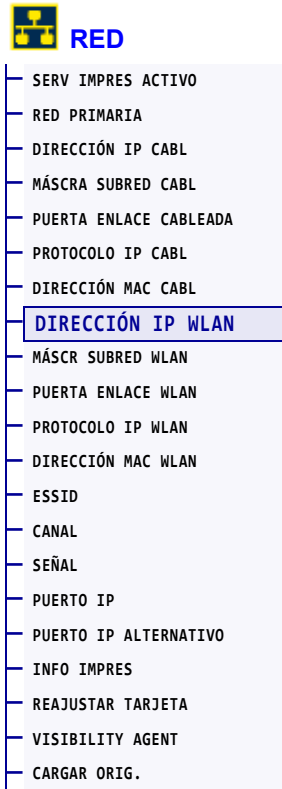
## RED > DIRECCIÓN MAC CABL



Vea la dirección de Control de acceso al medio (MAC) del servidor de impresión cableado.

<i>Comando SGD utilizado:</i>	<code>internal_wired.mac_addr</code>
<i>Página web de la impresora:</i>	Ver y modificar configuración de impresora > Configuración de comunicaciones de red > Configuración de TCP/IP

## RED > DIRECCIÓN IP WLAN

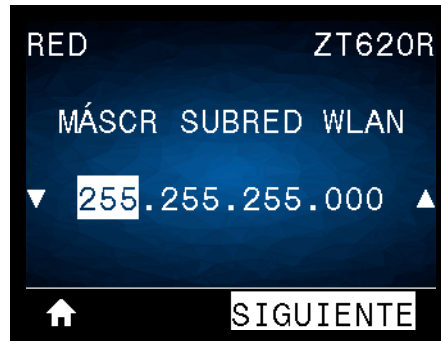
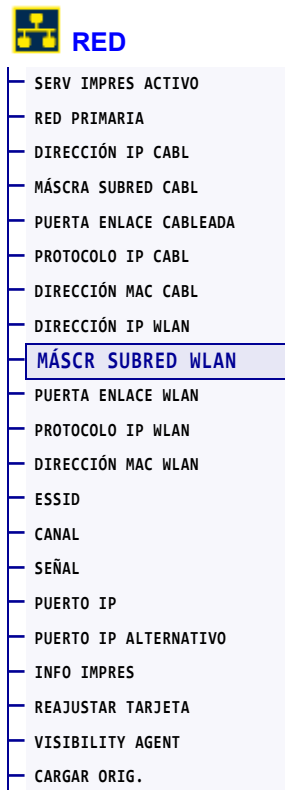


Vea y cambie la dirección IP inalámbrica de la impresora, si es necesario.

Para guardar los cambios de esta configuración, establezca el *PROTOCOLO IP WLAN* en la [página 152](#) en PERMANENTE y luego reinicie servidor de impresión (consulte la sección *REAJUSTAR TARJETA* en la [página 159](#)). Consulte la sección *Resolución de direcciones IP* en la [página 262](#) para obtener más información.

<i>Valores aceptados:</i>	000 a 255 para cada campo
<i>Comando(s) ZPL relacionado(s):</i>	^ND
<i>Comando SGD utilizado:</i>	ip.addr, wlan.ip.addr
<i>Página web de la impresora:</i>	Ver y modificar configuración de impresora > Configuración de comunicaciones de red > Configuración inalámbrica

## RED > MÁSCR SUBRED WLAN



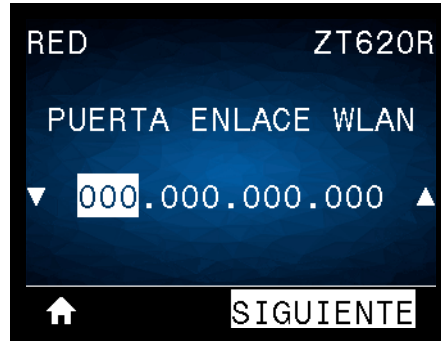
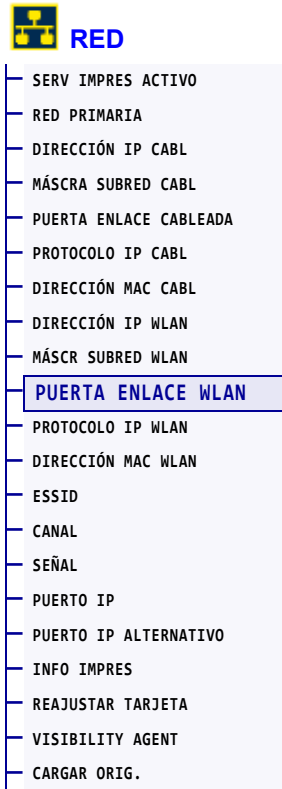
Vea la máscara de subred inalámbrica y cámbiela si es necesario.

Para guardar los cambios de esta configuración, establezca el *PROTOCOLO IP WLAN* en la [página 152](#) en PERMANENTE y luego reinicie servidor de impresión (consulte la sección *REAJUSTAR TARJETA* en la [página 159](#)). Consulte la sección *Resolución de direcciones IP* en la [página 262](#) para obtener más información.

<i>Valores aceptados:</i>	000 a 255 para cada campo
<i>Comando(s) ZPL relacionado(s):</i>	^ND
<i>Comando SGD utilizado:</i>	wlan.ip.netmask
<i>Página web de la impresora:</i>	Ver y modificar configuración de impresora > Configuración de comunicaciones de red > Configuración inalámbrica



## RED > PUERTA ENLACE WLAN

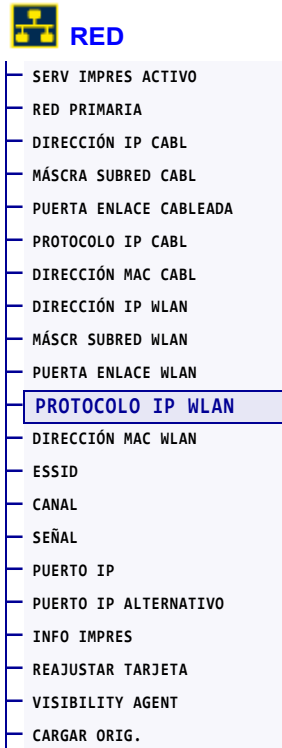


Vea la puerta de enlace inalámbrica predeterminada y cámbiela si es necesario.

Para guardar los cambios de esta configuración, establezca el *PROTOCOLO IP WLAN* en la [página 152](#) en PERMANENTE y luego reinicie servidor de impresión (consulte la sección *REAJUSTAR TARJETA* en la [página 159](#)). Consulte la sección *Resolución de direcciones IP* en la [página 262](#) para obtener más información.

<i>Valores aceptados:</i>	000 a 255 para cada campo
<i>Comando(s) ZPL relacionado(s):</i>	^ND
<i>Comando SGD utilizado:</i>	wlan.ip.gateway
<i>Página web de la impresora:</i>	Ver y modificar configuración de impresora > Configuración de comunicaciones de red > Configuración inalámbrica

## RED > PROTOCOLO IP WLAN



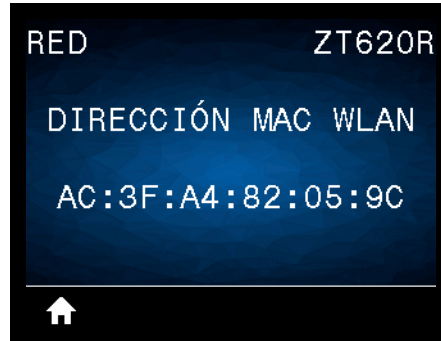
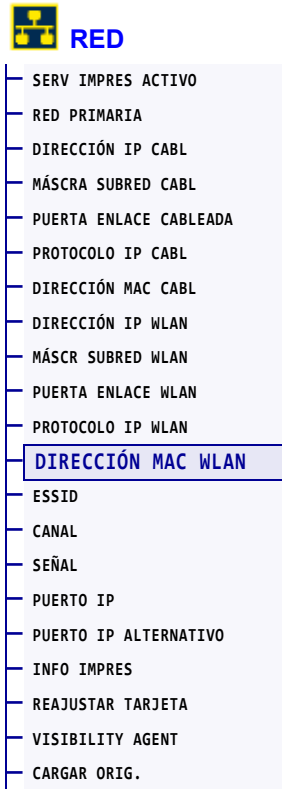
Este parámetro indica si a la dirección IP del servidor de impresión inalámbrico la selecciona el usuario (de forma permanente) o el servidor (de forma dinámica). Si se elige una opción dinámica, el parámetro determina los métodos mediante los cuales este servidor de impresión recibe la dirección IP desde el servidor. Consulte la sección [Resolución de direcciones IP en la página 262](#) para obtener más información.



**Importante** • Debe reiniciar el servidor de impresión para permitir que los cambios de la configuración de la red tengan efecto.

<i>Valores aceptados:</i>	<ul style="list-style-type: none"> <li>• TODO</li> <li>• SOLO GLEANING</li> <li>• RARP</li> <li>• BOOTP</li> <li>• DHCP</li> <li>• DHCP &amp; BOOTP</li> <li>• PERMANENTE</li> </ul>
<i>Comando(s) ZPL relacionado(s):</i>	^ND
<i>Comando SGD utilizado:</i>	wlan.ip.protocol
<i>Página web de la impresora:</i>	Ver y modificar configuración de impresora > Configuración de comunicaciones de red > Configuración inalámbrica

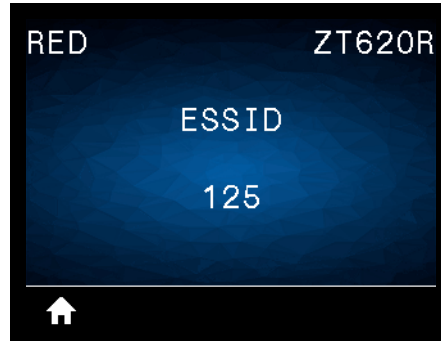
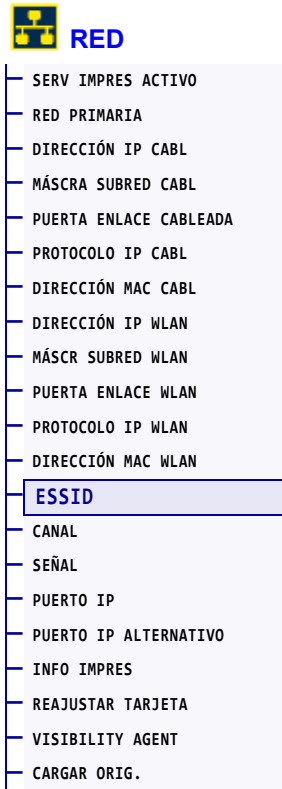
## RED > DIRECCIÓN MAC WLAN



Vea la dirección de Control de acceso al medio (MAC) del servidor de impresión inalámbrico.

<i>Comando SGD utilizado:</i>	<code>wlan.mac_addr</code>
<i>Página web de la impresora:</i>	Ver y modificar ajustes de la impresora > Configuración de comunicaciones de red > Configuración inalámbrica

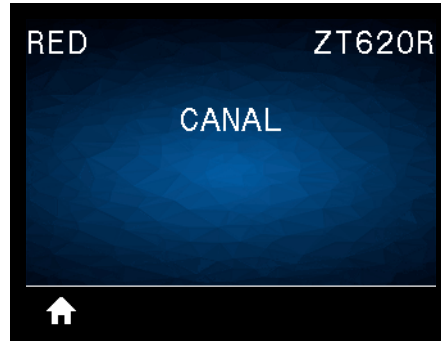
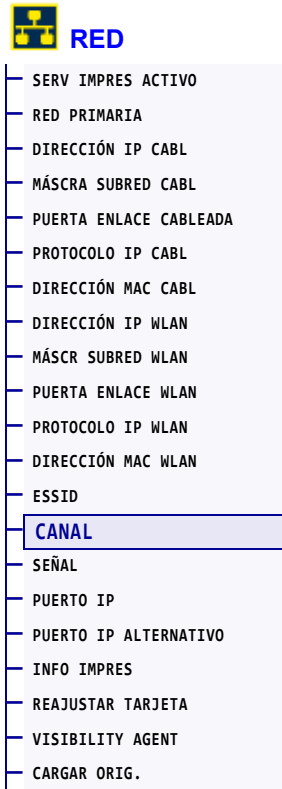
## RED > ESSID



El Identificador del Conjunto de Servicios Extendido (*Extended Service Set Identification*, ESSID) es un identificador de su red inalámbrica. Esta configuración, que no puede modificarse desde el panel de control, proporciona el ESSID de la configuración inalámbrica actual.

<i>Valores aceptados:</i>	Cadena de 32 caracteres alfanuméricos (valor predeterminado: <b>125</b> )
<i>Comando SGD utilizado:</i>	<code>wlan.essid</code>
<i>Página web de la impresora:</i>	Ver y modificar ajustes de la impresora > Configuración de comunicaciones de red > Configuración inalámbrica

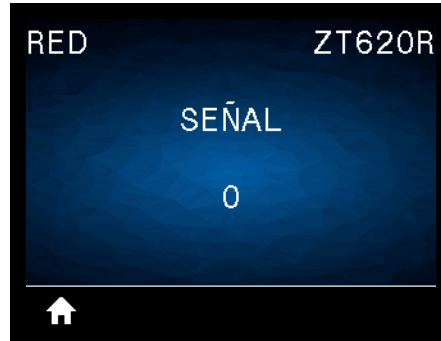
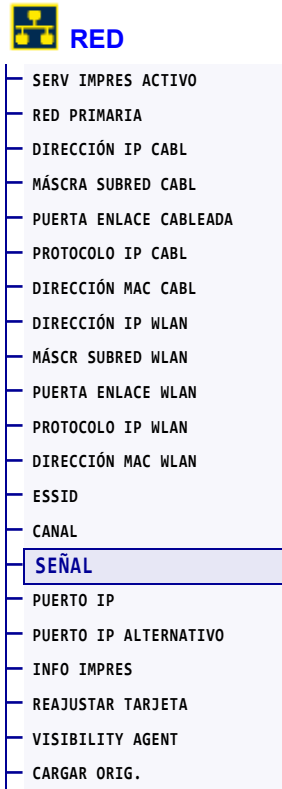
## RED > CANAL



Permite ver el canal inalámbrico que se utiliza cuando la red inalámbrica está activa y autenticada.

<i>Comando SGD utilizado:</i>	<code>wlan.channel</code>
<i>Página web de la impresora:</i>	Ver y modificar ajustes de la impresora > Configuración de comunicaciones de red > Configuración inalámbrica

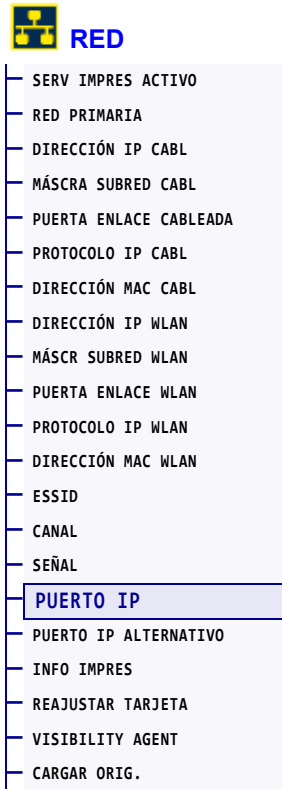
## RED > SEÑAL



Vea la potencia de la señal inalámbrica cuando la red inalámbrica está activa y autenticada.

<i>Comando SGD utilizado:</i>	<code>wlan.signal_strength</code>
<i>Página web de la impresora:</i>	Ver y modificar ajustes de la impresora > Configuración de comunicaciones de red > Configuración inalámbrica

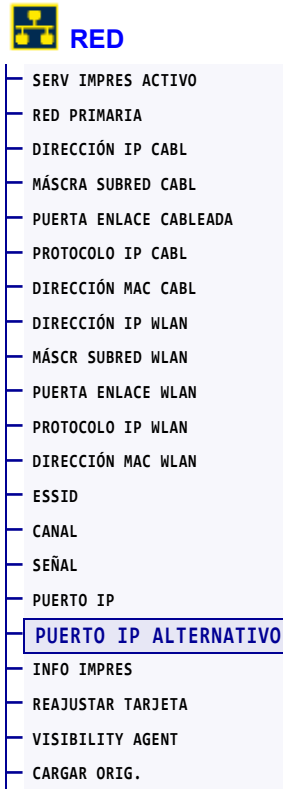
## RED > PUERTO IP



Esta configuración de la impresora remite al número de puerto del servidor de impresión cableado interno en el que figura el servicio de impresión TCP. Las comunicaciones normales de TCP provenientes del host deben dirigirse a este puerto.

<i>Comando SGD utilizado:</i>	<code>internal_wired.ip.port</code>
<i>Página web de la impresora:</i>	Ver y modificar configuración de impresora > Configuración de comunicaciones de red > Configuración de TCP/IP

## RED > PUERTO IP ALTERNATIVO



Este comando establece el número de puerto del puerto TCP alternativo.

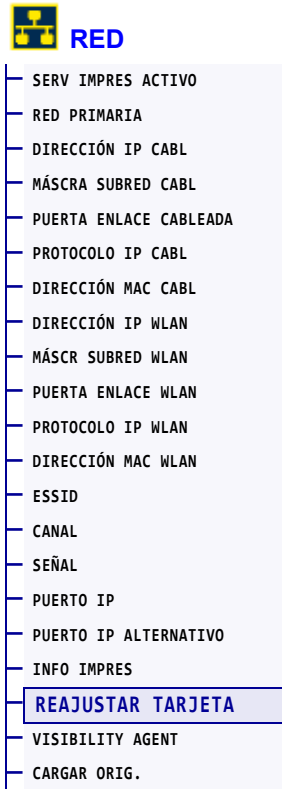


**Nota** • Los servidores de impresión que admitan este comando supervisarán que tanto el puerto principal como el puerto alternativo se conecten al mismo tiempo.

Comando SGD utilizado:	<code>internal_wired.ip.port_alternate</code>
Página web de la impresora:	Ver y modificar configuración de impresora > Configuración de comunicaciones de red > Configuración de TCP/IP



## RED > REAJUSTAR TARJETA



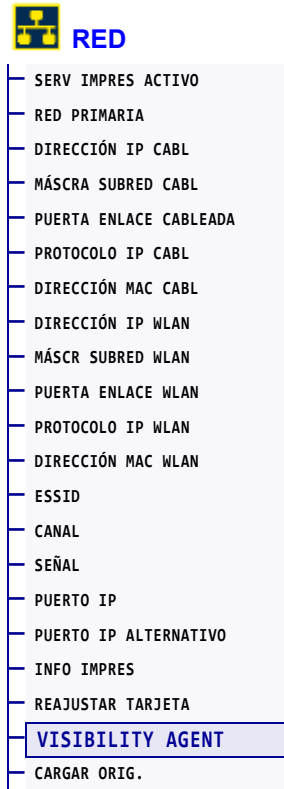
Esta opción restablece el servidor de impresión cableado o inalámbrico y guarda los cambios realizados en la configuración de la red.



**Importante** • Debe reiniciar el servidor de impresión para permitir que los cambios de la configuración de la red tengan efecto.

Comando(s) ZPL relacionado(s):	~WR
Comando SGD utilizado:	device.reset
Página web de la impresora:	Configuración de servidor de impresión > Restablecer el servidor de impresión

## RED > VISIBILITY AGENT

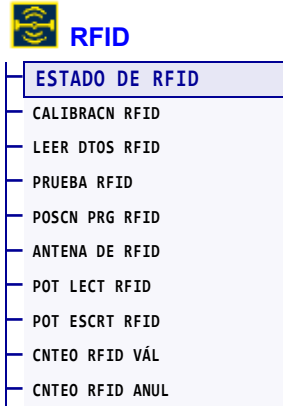


Cuando la impresora está conectada a una red cableada o inalámbrica, se intentará conectar a Asset Visibility Service de Zebra a través de Zebra Printer Connector basado en la nube utilizando una conexión de socket web cifrada con autenticación basada en certificados. La impresora envía los datos y la configuración de detección y los datos de alertas. Los datos impresos a través de formatos de etiqueta NO se transmiten.

Para dejar de utilizar esta característica, desactive esta configuración. Para obtener más información, consulte la nota de aplicación “Opting Out of the Asset Visibility Agent” (“Desactivación del agente de visibilidad de activos”) en <http://www.zebra.com>.

<i>Valores aceptados:</i>	<ul style="list-style-type: none"> <li>• ACTIVADO</li> <li>• DESACTIVADO</li> </ul>
<i>Comando SGD utilizado:</i>	<code>weblink.zebra_connector.enable</code>
<i>Página web de la impresora:</i>	Ver y modificar configuración de impresora > Configuración de red > Configuración de Cloud Connect

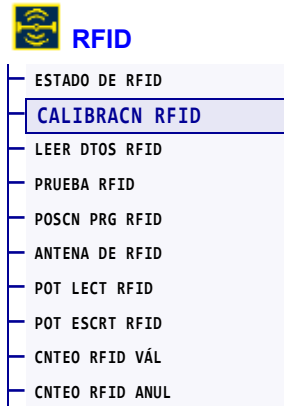
## RFID > ESTADO DE RFID



Muestra el estado del subsistema RFID de la impresora.

<i>Comando(s) ZPL relacionado(s):</i>	^HL o ~HL
<i>Comando SGD utilizado:</i>	rfid.error.response

## RFID > CALIBRACN RFID



Inicie la calibración de rótulos del papel para RFID. (No es igual a la calibración del papel y la cinta). Durante el proceso, la impresora mueve el papel, calibra la posición de los rótulos RFID y determina la configuración óptima para el papel para RFID que se usa. Esta configuración incluye la posición de programación, el elemento de antena que se utilizará y el nivel de lectura/escritura que se utilizará. Consulte la *RFID Programming Guide 3 (Guía de programación de RFID 3)* para obtener más información.

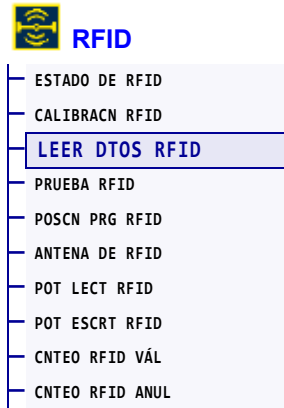


**Importante** • Antes de ejecutar este comando, cargue el papel para RFID en la impresora, calibre la impresora, cierre el cabezal de impresión y cargue al menos una etiqueta para asegurarse de que la calibración de rótulos comience en la posición correcta.

Deje todos los transpondedores antes y después del rótulo que se está calibrando para que la impresora determine la configuración RFID que no codifique el rótulo adyacente. Deje que una parte del papel se extienda fuera del frente de la impresora para que retroceda durante el procedimiento de calibración del rótulo.

Comando(s) ZPL relacionado(s):	^HR
Comando SGD utilizado:	rfid.tag.calibrate

## RFID > LEER DTOS RFID



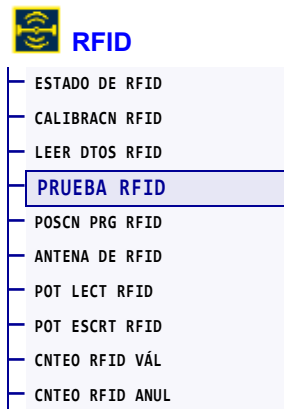
Permite leer y devolver los datos especificados del rótulo RFID que se encuentra sobre la antena de RFID. La impresora no realiza ningún movimiento mientras se leen los datos del rótulo. Se puede abrir o cerrar el cabezal de impresión.

### Para leer y mostrar la información almacenada en un rótulo RFID:

1. Posicione una etiqueta RFID con su transpondedor encima de la antena de RFID.
2. Utilice la FLECHA ARRIBA o la FLECHA ABAJO para seleccionar el tipo de información que desea leer y mostrar.
3. Presione el BOTÓN DE SELECCIÓN DERECHO para seleccionar LEER.  
 Los resultados de la prueba se muestran en la pantalla.

<i>Valores aceptados:</i>	<p><b>epc:</b> lee los primeros 128 bits de datos de EPC.</p> <p><b>info ident rôt:</b> lee los primeros 32 bits de TID (ID de rótulo).</p> <p><b>est contraseña:</b> lee las contraseñas de acceso y eliminación.</p> <p><b>protocolo bits:</b> lee los bits de protocolo de los bancos de memoria EPC y convierte ese valor en el tamaño de EPC.</p> <p><b>tamañ banc mem:</b> lee los tamaños de bancos de memoria EPC, TID y user (usuario).</p>
<i>Comando(s) ZPL relacionado(s):</i>	^RF
<i>Comando SGD utilizado:</i>	<p>rfid.tag.read.content</p> <p>rfid.tag.read.execute</p>

## RFID > PRUEBA RFID



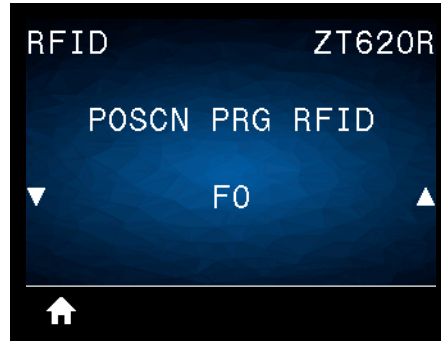
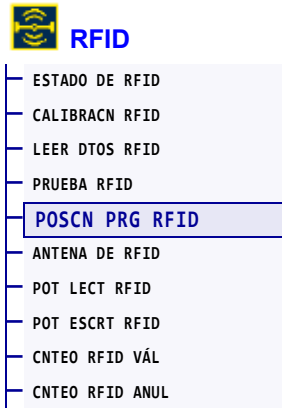
Durante la prueba de RFID, la impresora intenta leer datos y escribirlos a un transpondedor. En esta prueba, la impresora no realiza ningún movimiento.

### Para realizarle una prueba a una etiqueta RFID:

1. Posicione una etiqueta RFID con su transpondedor encima del conjunto de antenas de RFID.
2. Presione el BOTÓN DE SELECCIÓN DERECHO para seleccionar INICIAR.  
Los resultados de la prueba se muestran en la pantalla.

<i>Valores aceptados:</i>	<b>rápido:</b> realiza una prueba de lectura y escritura de EPC (usando datos aleatorios). <b>lectura:</b> realiza una prueba de lectura de EPC. <b>escritura:</b> realiza una prueba de escritura de EPC (usando datos aleatorios).
<i>Comando SGD utilizado:</i>	<code>rfid.tag.test.content</code> y <code>rfid.tag.test.execute</code>

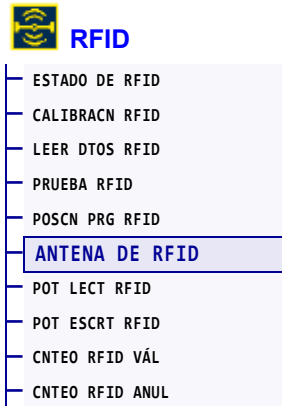
## RFID > POSCN PRG RFID



Si durante la calibración del rótulo RFID no se logra la posición de programación (posición de lectura/escritura) deseada, se puede especificar un valor.

<i>Valores aceptados:</i>	<p><b>F0</b> a <b>Fxxx</b> (donde <b>xxx</b> es la longitud de la etiqueta en milímetros o <b>999</b>, el valor que sea menor). La impresora hará que el papel avance la distancia especificada y luego comenzará con la programación.</p> <p><b>B0</b> a <b>B30</b>. La impresora cargará el papel hacia atrás la distancia especificada y luego comenzará con la programación. Para que el papel se cargue hacia atrás, se debe extender papel protector vacío fuera de la impresora, mientras se utiliza una posición de programación hacia atrás.</p>
<i>Comando(s) ZPL relacionado(s):</i>	<b>^RS</b>
<i>Comando SGD utilizado:</i>	<b>rfid.position.program</b>
<i>Página web de la impresora:</i>	Ver y modificar ajustes de la impresora > Configuración de RFID > POSICIÓN DE PROGRAMACIÓN

## RFID > ANTENA DE RFID

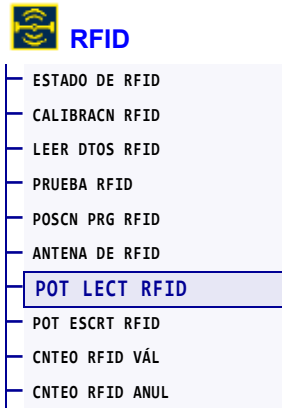


Si con la calibración del rótulo RFID no se logra el elemento de antena deseado, se puede especificar un valor.

<i>Valores aceptados:</i>	A1, A2, A3, A4 B1, B2, B3, B4 C1, C2, C3, C4 D1, D2, D3, D4 E1, E2, E3, E4
<i>Comando(s) ZPL relacionado(s):</i>	^RW
<i>Comando SGD utilizado:</i>	rfid.reader_1.antenna_port
<i>Página web de la impresora:</i>	Ver y modificar configuración de impresora > Configuración de RFID > ANTENA DE RFID



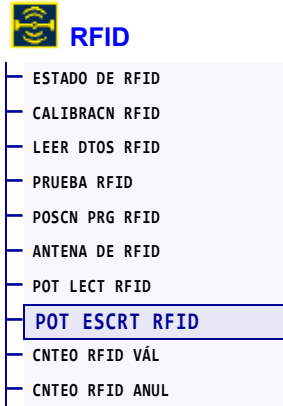
## RFID > POT LECT RFID



Si con la calibración del rótulo RFID no se logra la potencia de lectura deseada, se puede especificar un valor.

<i>Valores aceptados:</i>	0 a 30
<i>Comando(s) ZPL relacionado(s):</i>	^RW
<i>Comando SGD utilizado:</i>	rfid.reader_1.power.read
<i>Página web de la impresora:</i>	Ver y modificar configuración de impresora > Configuración de RFID > POTENCIA DE LECTURA DE RFID

## RFID > POT ESCRIT RFID



Si con la calibración del rótulo RFID no se logra la potencia de escritura deseada, se puede especificar un valor.

<i>Valores aceptados:</i>	0 a 30
<i>Comando(s) ZPL relacionado(s):</i>	^RW
<i>Comando SGD utilizado:</i>	rfid.reader_1.power.write
<i>Página web de la impresora:</i>	Ver y modificar configuración de impresora > Configuración de RFID > POTENCIA DE ESCRITURA DE RFID

## RFID > CNTEO RFID VÁL



Restablece en cero el contador válido de etiquetas de RFID.

Comando(s) ZPL relacionado(s):	~RO
Comando SGD utilizado:	odometer.rfid.valid_resetable

## RFID > CNTEO RFID ANUL



Restablece en cero el contador de etiquetas vacío de RFID.

Comando(s) ZPL relacionado(s):	~RO
Comando SGD utilizado:	odometer.rfid.void_resetable

## IDIOMA > IDIOMA




<b>IDIOMA</b>
COMANDO IDIOMA
CARÁCT COMNDO
CARÁCTER CTRL
DELIMITADOR
MODO ZPL
DISPOSITIVO VIRTUAL

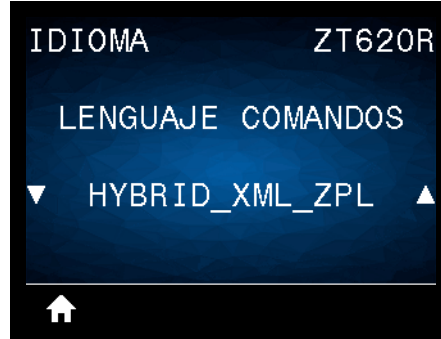
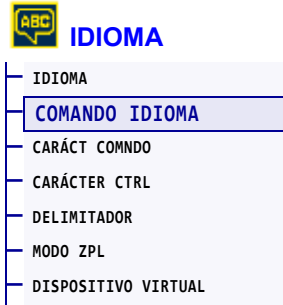


Si es necesario, cambie el idioma que muestra la impresora. Este cambio afectará a las palabras que se muestren en:

- el menú Home (Inicio)
- los menús del usuario
- los mensajes de error
- la etiqueta de configuración de la impresora, la etiqueta de configuración de la red y las otras etiquetas que usted puede seleccionar para imprimir a través de los menús del usuario

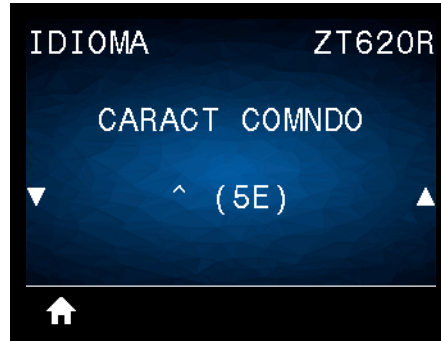
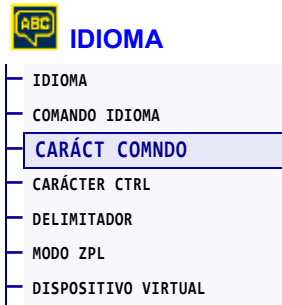
<i>Valores aceptados:</i>	ENGLISH, ESPAÑOL, FRANCAIS, DEUTSCH, ITALIANO, NORKS, PORTUGUES, SVENSKA, DANSK, ESPAÑOL 2, NEDERLANDS, SUOMI, CHECO, JAPONÉS, COREANO, RUMANO, РУССКИЙ, POLSKI, CHINO SIMPLIFIC, CHINO TRADIC   <b>Nota</b> • Las selecciones de este parámetro se muestran en los idiomas reales para que el usuario pueda encontrar una opción que le resulte fácil leer.
<i>Comando(s) ZPL relacionado(s):</i>	^KL
<i>Comando SGD utilizado:</i>	display.language
<i>Página web de la impresora:</i>	Ver y modificar ajustes de la impresora > Configuración general > Idioma

## IDIOMA > COMANDO IDIOMA



Permite ver o seleccionar el idioma adecuado de comando.

## IDIOMA > CARÁCT COMNDO



El prefijo del comando de formato es un valor hexadecimal de dos dígitos utilizado como marcador de ubicación de parámetro en instrucciones de formato ZPL/ZPL II. La impresora busca este carácter hexadecimal de dos dígitos para indicar el inicio de una instrucción de formato ZPL/ZPL II.

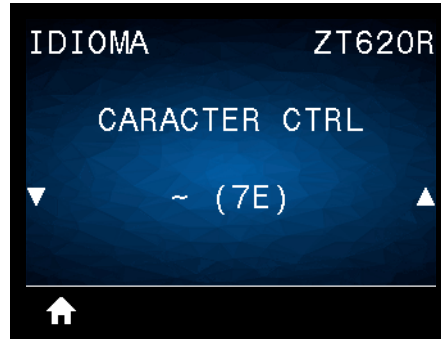
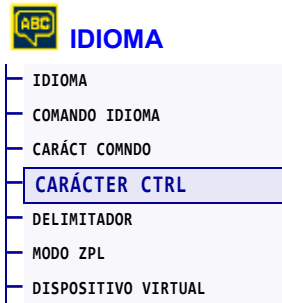
Configure el carácter de comando del formato para que coincida con lo que se utiliza en sus formatos de etiqueta.



**Importante** • No puede utilizar el mismo valor hexadecimal para el prefijo del comando de formato, el carácter de control y los caracteres delimitadores. La impresora debe ver caracteres diferentes para funcionar correctamente. Si configura el valor a través del panel de control, la impresora saltará los valores que ya están en uso.

<i>Valores aceptados:</i>	00 a FF
<i>Comando(s) ZPL relacionado(s):</i>	^CC o ~CC
<i>Comando SGD utilizado:</i>	zpl.caret
<i>Página web de la impresora:</i>	Ver y modificar ajustes de la impresora > Control ZPL

## IDIOMA > CARÁCTER CTRL

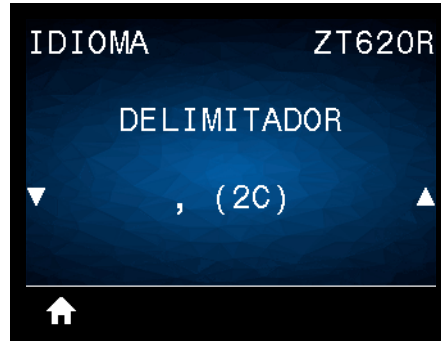
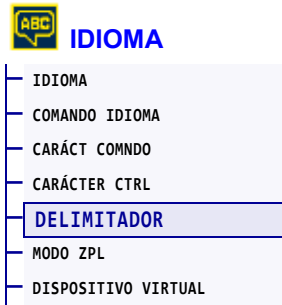


La impresora busca este carácter hexadecimal de dos dígitos para indicar el inicio de una instrucción de control ZPL/ZPL II. Configure el carácter de prefijo de control para que coincida con el que se utiliza en sus formatos de etiqueta.

<i>Valores aceptados:</i>	00 a FF
<i>Comando(s) ZPL relacionado(s):</i>	^CT o ~CT
<i>Comando SGD utilizado:</i>	zpl.control_character
<i>Página web de la impresora:</i>	Ver y modificar ajustes de la impresora > Control ZPL



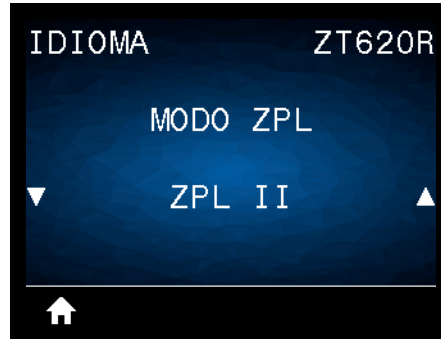
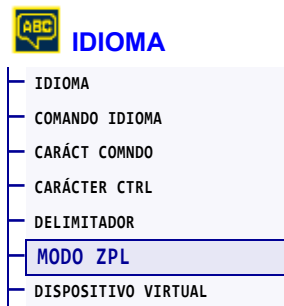
## IDIOMA > DELIMITADOR



El carácter delimitador es un valor hexadecimal de dos dígitos utilizado como marcador de ubicación de parámetro en instrucciones de formato ZPL/ZPL II. Configure el carácter delimitador para que coincida con lo que utiliza en sus formatos de etiqueta.

<i>Valores aceptados:</i>	00 a FF
<i>Comando(s) ZPL relacionado(s):</i>	^CD o ~CD
<i>Comando SGD utilizado:</i>	zpl.delimiter
<i>Página web de la impresora:</i>	Ver y modificar ajustes de la impresora > Control ZPL

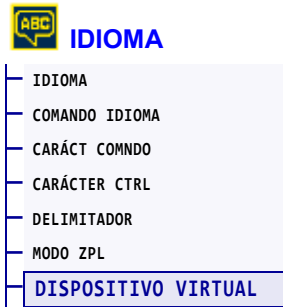
## IDIOMA > MODO ZPL



Seleccione el modo que coincida con el que se utiliza en sus formatos de etiqueta. Esta impresora acepta formatos de etiquetas escritos en ZPL o ZPL II, y así elimina la necesidad de volver a escribir cualquier formato ZPL que ya exista. La impresora permanece en el modo seleccionado hasta que se lo cambie de una de las formas que se enumeran a continuación.

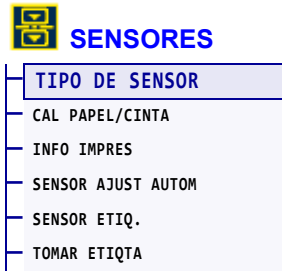
<i>Valores aceptados:</i>	<ul style="list-style-type: none"><li>• ZPL II</li><li>• ZPL</li></ul>
<i>Comando(s) ZPL relacionado(s):</i>	^SZ
<i>Comando SGD utilizado:</i>	zpl.zpl_mode
<i>Página web de la impresora:</i>	Ver y modificar ajustes de la impresora > Control ZPL

## IDIOMA > DISPOSITIVO VIRTUAL



Si hay alguna aplicación de dispositivo virtual instalada en su impresora, puede verla o activarla/desactivarla desde este menú de usuario. Para obtener más información sobre los dispositivos virtuales, vaya a la guía de usuario del dispositivo virtual correspondiente o comuníquese con el revendedor local.

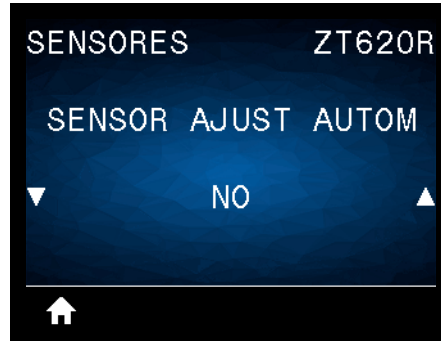
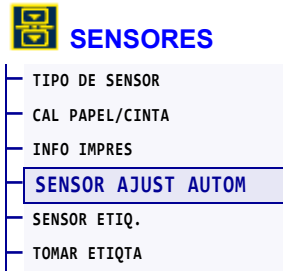
## SENSORES > TIPO DE SENSOR



Seleccione el sensor de papel adecuado para el papel que está utilizando. Generalmente, el sensor reflectante solo se utiliza para papel con marca negra. El sensor transmisor suele utilizarse para otros tipos de papel.

<i>Valores aceptados:</i>	<ul style="list-style-type: none"><li>• TRANSMISIVO</li><li>• REFLECTIVO</li></ul>
<i>Comando(s) ZPL relacionado(s):</i>	^JS
<i>Comando SGD utilizado:</i>	device.sensor_select
<i>Página web de la impresora:</i>	Ver y modificar los ajustes de la impresora > Configuración del papel

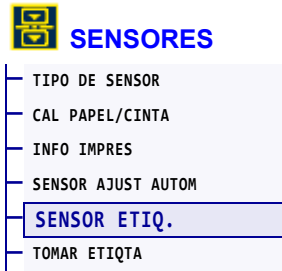
## SENSORES > SENSOR AJUST AUTOM



Active este parámetro para que la impresora intente detectar automáticamente la configuración del papel. Es posible que, aun así, deba calibrar automáticamente la impresora si este parámetro no detecta correctamente el papel.

<i>Valores aceptados:</i>	<ul style="list-style-type: none"> <li>• NO</li> <li>• SÍ</li> </ul>
<i>Comando SGD utilizado:</i>	<code>sensor.self_adjusting_enable</code>

## SENSORES > SENSOR ETIQ.



Configure la sensibilidad del sensor de etiqueta.



**Importante** • Este valor se configura durante la calibración del sensor. No cambie este ajuste a menos que la Asistencia técnica de Zebra o un técnico de servicio autorizado se lo indiquen.

<i>Valores aceptados:</i>	0 a 255
<i>Comando SGD utilizado:</i>	ezpl.label_sensor
<i>Página web de la impresora:</i>	Ver y modificar ajustes de la impresora > Calibración

## SENSORES > TOMAR ETIQUETA

### SENSORES

- TIPO DE SENSOR
- INFO IMPRES
- SENSOR AJUST AUTOM
- SENSOR ETIQ.
- TOMAR ETIQUETA**



Configure la intensidad del LED de Tomar etiqueta.



**Importante** • Este valor se configura durante la calibración del sensor. No cambie este ajuste a menos que la Asistencia técnica de Zebra o un técnico de servicio autorizado se lo indiquen.

<i>Valores aceptados:</i>	0 a 255
<i>Comando SGD utilizado:</i>	<code>ezpl.take_label</code>
<i>Página web de la impresora:</i>	Ver y modificar ajustes de la impresora > Calibración

## PUERTOS > VELOC TRANS BAUD

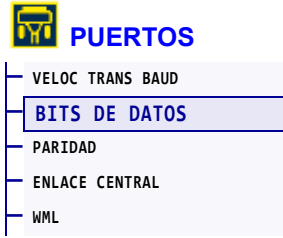


Seleccione un valor en baudios que coincida con el que está utilizando la computadora host.

<i>Valores aceptados:</i>	<ul style="list-style-type: none"> <li>• 115200</li> <li>• 57600</li> <li>• 38400</li> <li>• 28800</li> <li>• 19200</li> <li>• 14400</li> <li>• 9600</li> <li>• 4800</li> </ul>
<i>Comando(s) ZPL relacionado(s):</i>	^SC
<i>Comando SGD utilizado:</i>	comm.baud
<i>Página web de la impresora:</i>	Ver y modificar los ajustes de la impresora > Configuración de comunicaciones serie



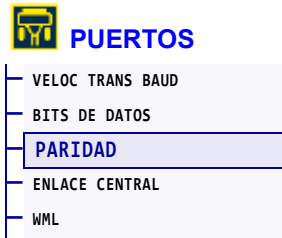
## PUERTOS > BITS DE DATOS



Seleccione un valor en bits de datos que coincida con el que está utilizando la computadora host.

<i>Valores aceptados:</i>	7 u 8
<i>Comando(s) ZPL relacionado(s):</i>	^SC
<i>Comando SGD utilizado:</i>	comm.data_bits
<i>Página web de la impresora:</i>	Ver y modificar los ajustes de la impresora > Configuración de comunicaciones serie

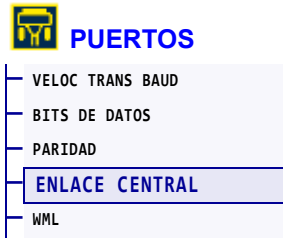
## PUERTOS > PARIDAD



Seleccione un valor de paridad que coincida con la que está utilizando la computadora host.

<i>Valores aceptados:</i>	<ul style="list-style-type: none"> <li>• NINGUNA</li> <li>• PAR</li> <li>• IMPAR</li> </ul>
<i>Comando(s) ZPL relacionado(s):</i>	^SC
<i>Comando SGD utilizado:</i>	comm.parity
<i>Página web de la impresora:</i>	Ver y modificar los ajustes de la impresora > Configuración de comunicaciones serie

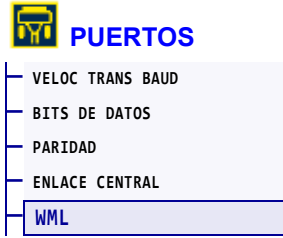
## PUERTOS > ENLACE CENTRAL



Seleccione un protocolo de enlace central que coincida con el que está utilizando la computadora host.

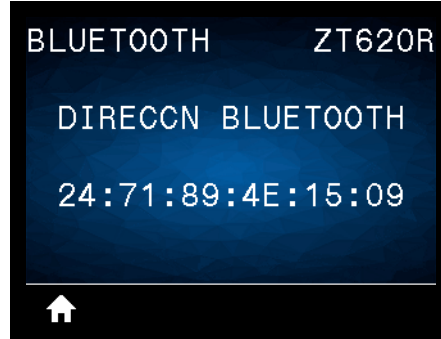
<i>Valores aceptados:</i>	<ul style="list-style-type: none"> <li>• XON/XOFF</li> <li>• RTS/CTS</li> <li>• DSR/DTR</li> </ul>
<i>Comando(s) ZPL relacionado(s):</i>	^SC
<i>Comando SGD utilizado:</i>	comm.handshake
<i>Página web de la impresora:</i>	Ver y modificar los ajustes de la impresora > Configuración de comunicaciones serie

## PUERTOS > WML



Muestra la versión de Wireless Markup Language (WML). Este valor no se puede modificar.

## BLUETOOTH > DIRECCN BLUETOOTH

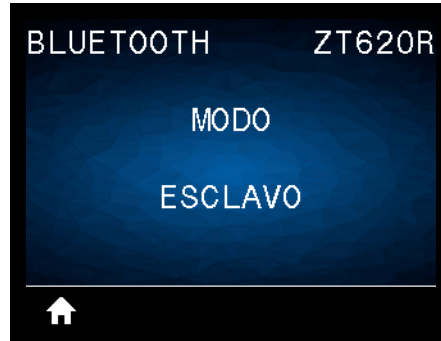
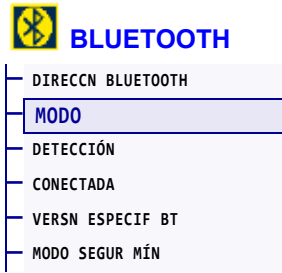


Muestra la dirección del dispositivo Bluetooth de la impresora.

Comando SGD utilizado:

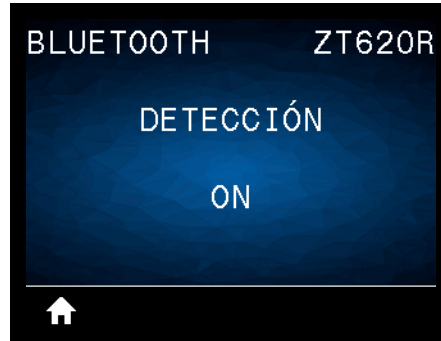
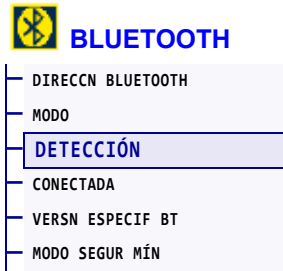
`bluetooth.address`

## BLUETOOTH > MODO



Muestra el tipo de dispositivo de la impresora que se asocia con la conexión Bluetooth: esclavo (típico) o maestro.

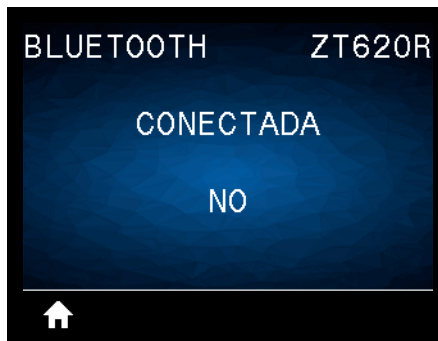
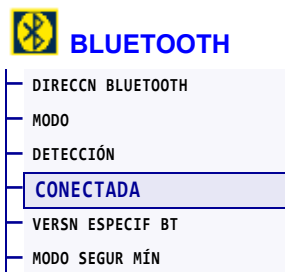
## BLUETOOTH > DETECCIÓN



Seleccione esta opción si la impresora se puede “reconocer” para asociarla con el dispositivo Bluetooth.

<i>Valores aceptados:</i>	<ul style="list-style-type: none"> <li>• <b>ACTIVADO:</b> activa el modo de reconocimiento de Bluetooth.</li> <li>• <b>DESACTIVADO:</b> desactiva el modo de reconocimiento de Bluetooth.</li> </ul>
<i>Comando SGD utilizado:</i>	<code>bluetooth.discoverable</code>

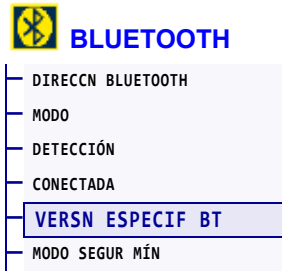
## BLUETOOTH > CONECTADA



Muestra el estado de conexión en Bluetooth con el dispositivo asociado: Yes (Sí) o No.



## BLUETOOTH > VERSN ESPECIF BT



Muestra el nivel de especificación de funcionamiento en Bluetooth.

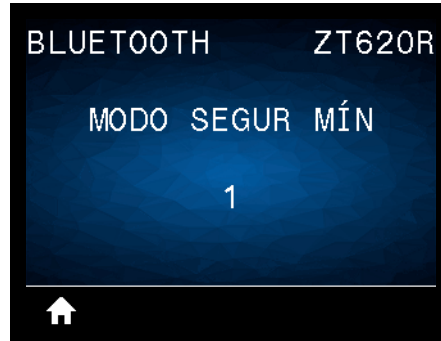
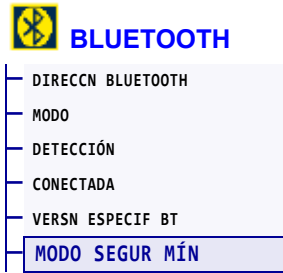
---

*Comando SGD utilizado:*

`bluetooth.radio_version`

---

## BLUETOOTH > MODO SEGUR MÍN



Muestra el nivel de seguridad mínimo aplicado en Bluetooth para la impresora.

## Calibrar los sensores de cinta y de papel

Utilice el procedimiento de esta sección para calibrar la impresora y ajustar, de ese modo, la sensibilidad de los sensores de cinta y de papel. Para obtener un resumen de las opciones para iniciar la calibración, consulte la sección *CAL PAPEL/CINTA* en la página 127.



**Importante** • Siga el procedimiento de calibración exactamente como se presenta. Se deben realizar todos los pasos aun cuando solo uno de los sensores requiera ajuste. Puede presionar y mantener presionado CANCEL (CANCELAR) en cualquier paso del procedimiento para cancelar el proceso.

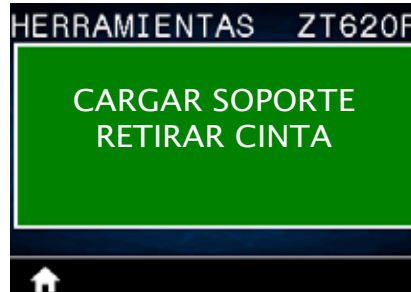
### Para realizar la calibración del sensor, lleve a cabo los siguientes pasos:

1. La impresora debe estar en estado Ready (Lista) para iniciar la calibración de papel y cinta con una de estas opciones:
  - Mantenga presionado PAUSE + CANCEL (Pausa + Cancelar) durante 2 segundos.
  - Envíe el comando SGD `ezpl.manual_calibration` a la impresora. Consulte *Zebra Programming Guide* (Guía de programación de Zebra) para obtener más información sobre este comando.
  - Vaya a la siguiente opción del menú en la pantalla del panel de control. Esta opción está ubicada en el menú HERRAMIENTAS y el menú SENSORES. Presione el BOTÓN DE SELECCIÓN DERECHO para seleccionar INICIAR.



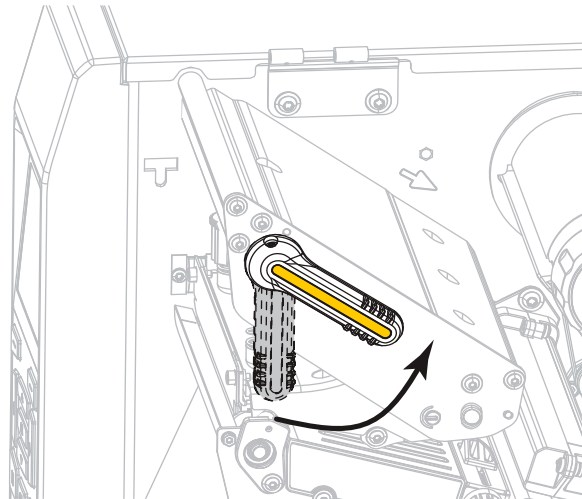
La impresora realiza lo siguiente:

- La **luz de ESTADO** y la de **SUMINISTROS** parpadean una vez en amarillo.
- La **luz de PAUSA** parpadea en amarillo.
- El panel de control muestra:

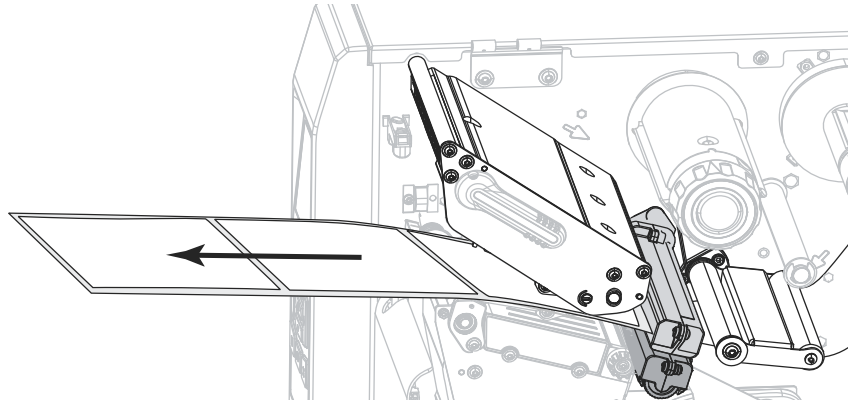


2. **Precaución** • El cabezal de impresión podría estar caliente y causar quemaduras graves. Deje enfriar el cabezal de impresión.

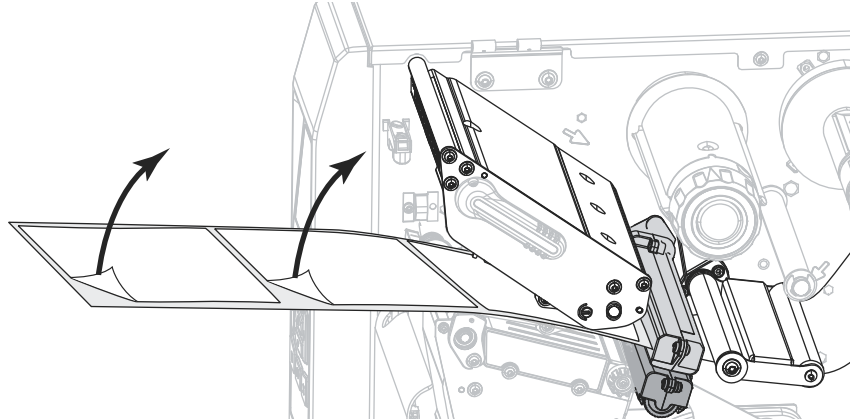
Abra el conjunto del cabezal de impresión girando hacia arriba la palanca de apertura del cabezal de impresión.



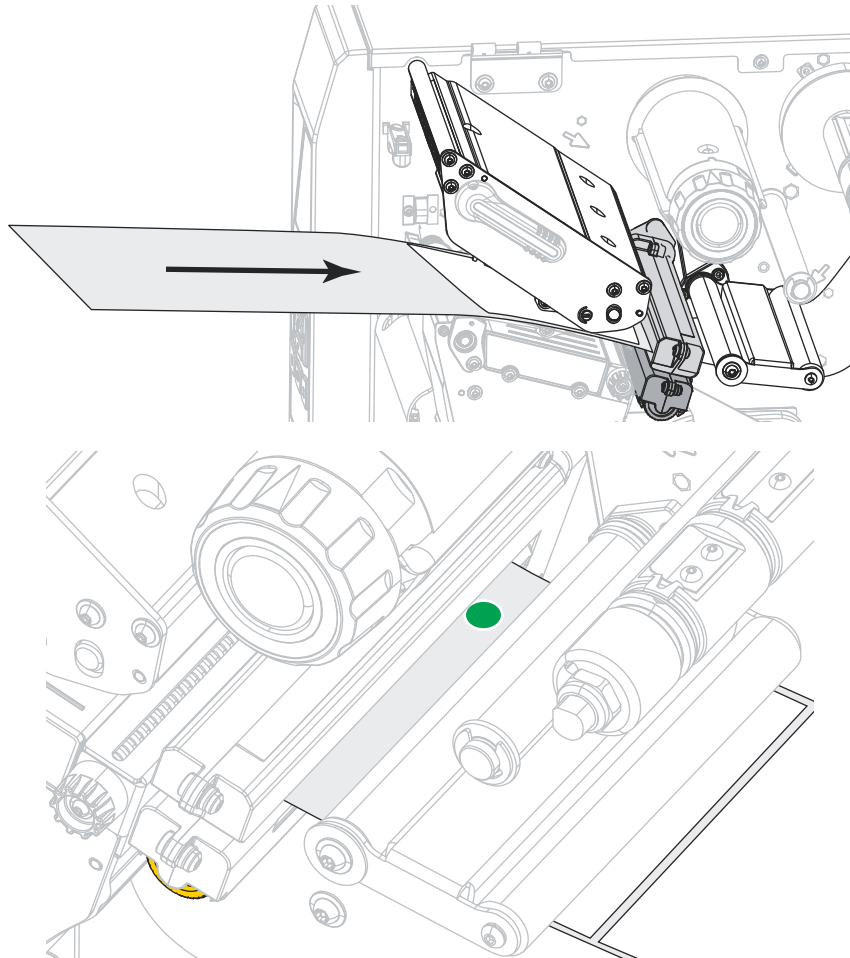
3. Extienda el papel unos 203 mm (8 pulg.) fuera de la impresora.



4. Extraiga las etiquetas expuestas de modo que solo quede el papel protector.

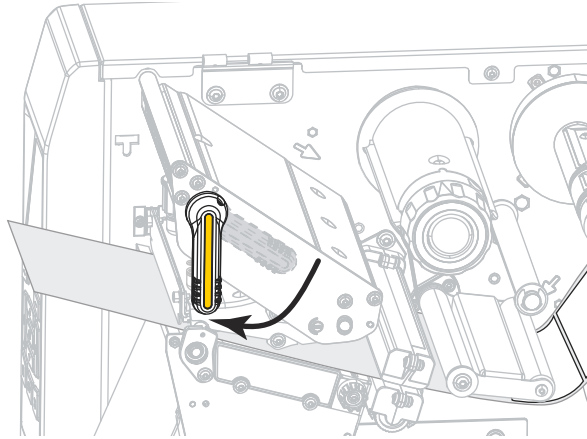


5. Empuje el papel hacia adentro de la impresora de modo que solo el papel protector quede sobre la luz verde de la parte inferior del sensor de papel.



6. Quite la cinta (si se utiliza).

7. Gire hacia abajo la palanca de apertura del cabezal de impresión hasta que este quede fijo en posición.

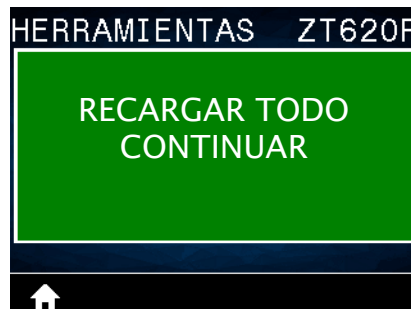


8. Presione PAUSE (PAUSA) para iniciar el proceso de calibración de papel.
  - La **luz de PAUSA** se apaga.
  - La **luz de SUMINISTROS** parpadea.
  - El panel de control muestra:

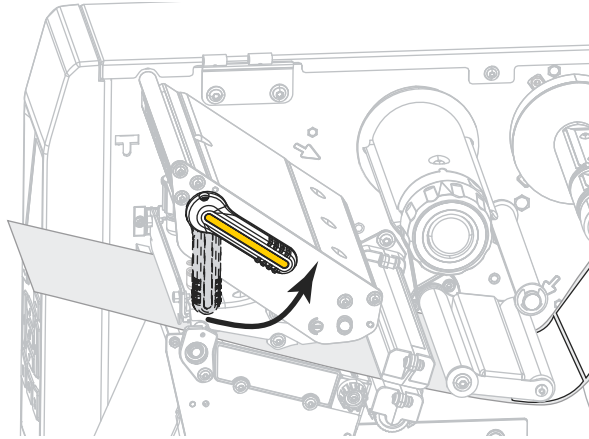


Cuando se completa el proceso:

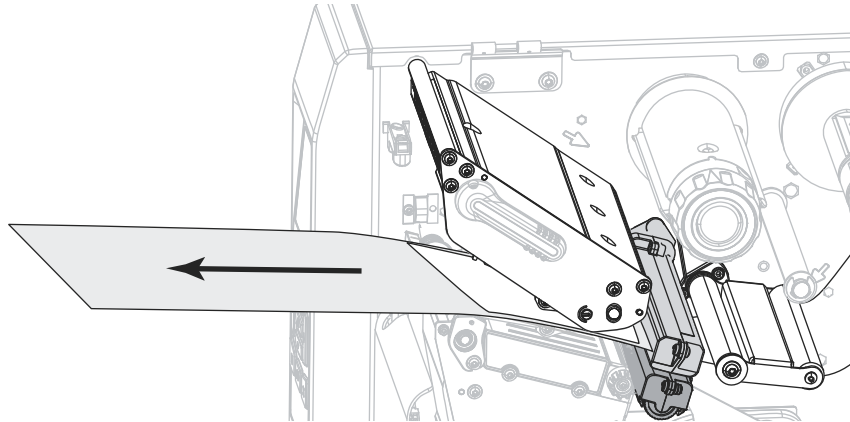
- La **luz de SUMINISTROS** deja de parpadear.
- La **luz de PAUSA** parpadea en amarillo.
- El panel de control muestra:



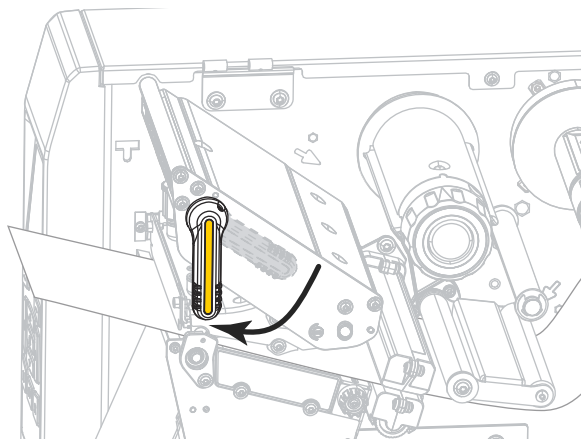
- Abra el conjunto del cabezal de impresión girando hacia arriba la palanca de apertura del cabezal de impresión.



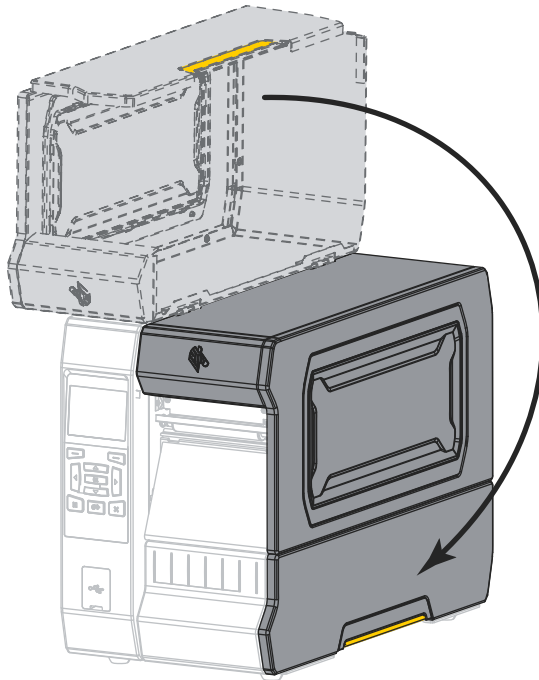
- Empuje el papel hacia adelante hasta que una etiqueta quede posicionada debajo de los sensores de papel.



- Vuelva a cargar la cinta (si se utiliza).
- Cierre el cabezal de impresión.



13. Cierre la puerta del compartimiento del papel.



14. Presione PAUSE (PAUSA) para activar la impresión.



## Ajustar la presión del cabezal de impresión y posición de la palanca acodada

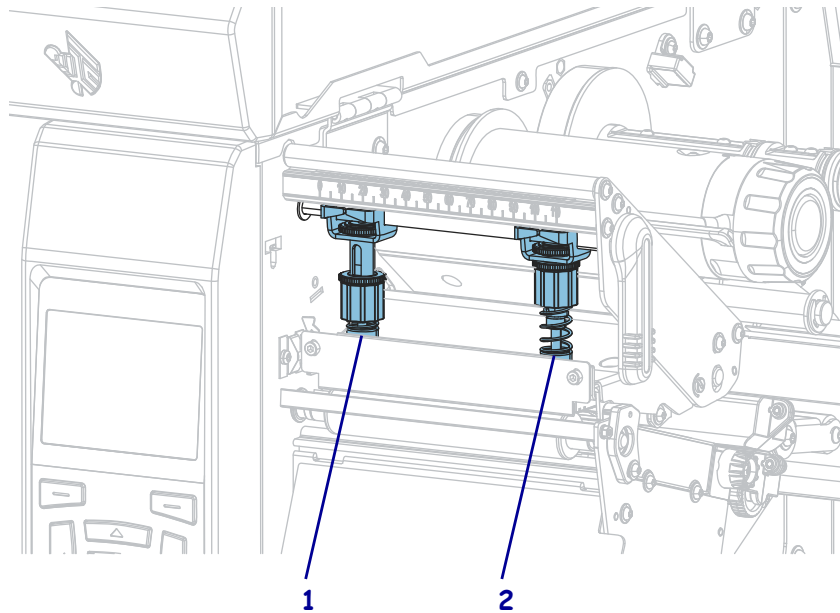
Las palancas acodadas de la presión del cabezal de impresión se pueden ajustar para crear más o menos presión, según sea necesario. También se pueden mover de lado a lado para ajustar la presión en ciertas áreas.

Si las palancas acodadas no se posicionan correctamente o no se ajustan para aplicar la presión correcta, se pueden generar los siguientes tipos de problemas:

- el papel y la cinta se podrían resbalar
- la cinta se podría arrugar
- el papel se podría mover de lado a lado durante la impresión
- la impresión podría ser demasiado clara o demasiado oscura en un lado del papel.

Utilice la mínima presión necesaria del cabezal de impresión para producir una buena calidad de impresión. Presiones mayores pueden provocar el desgaste prematuro de los elementos del cabezal de impresión.

**Figura 17 • Palancas acodadas de la presión del cabezal de impresión**

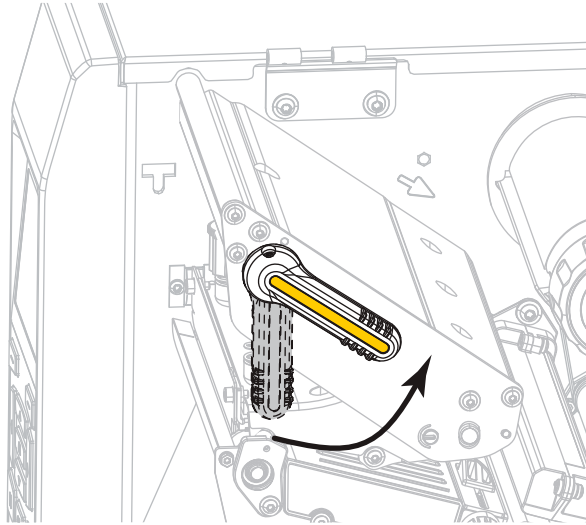


1	Palanca acodada interior
2	Palanca acodada exterior

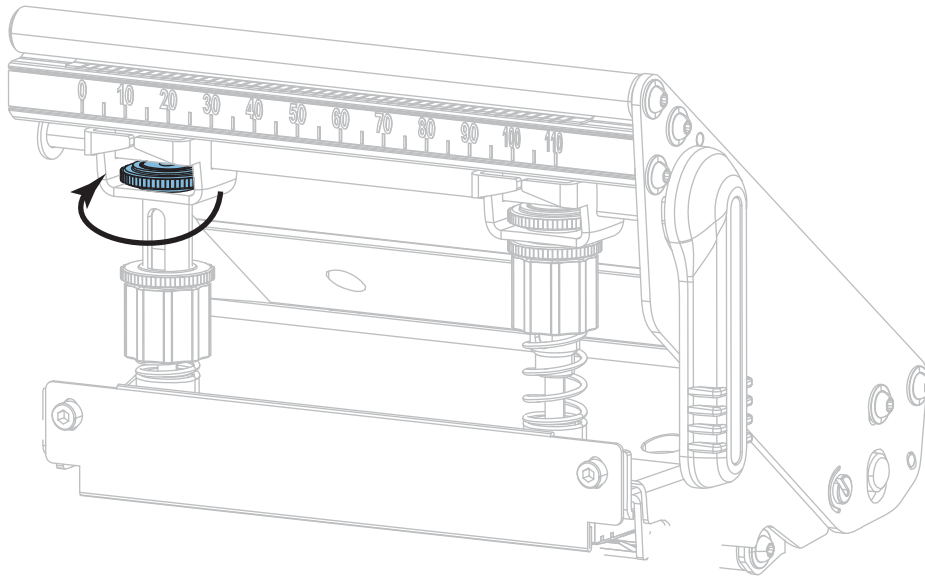
## Ajuste de la posición de la palanca acodada

Para ajustar las posiciones de la palanca acodada del cabezal de impresión, siga los siguientes pasos:

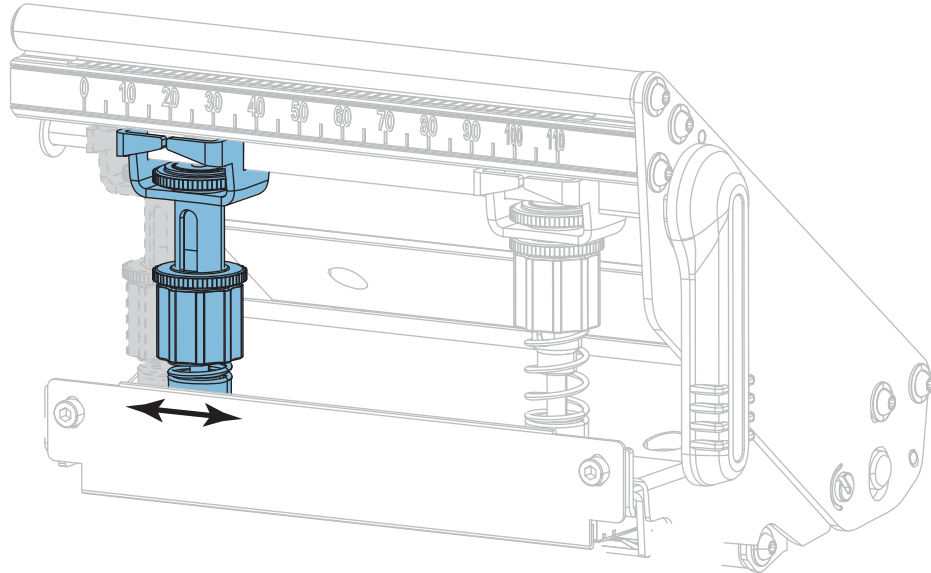
1. Abra el conjunto del cabezal de impresión girando la palanca de apertura del cabezal de impresión para disminuir la presión en las palancas acodadas.



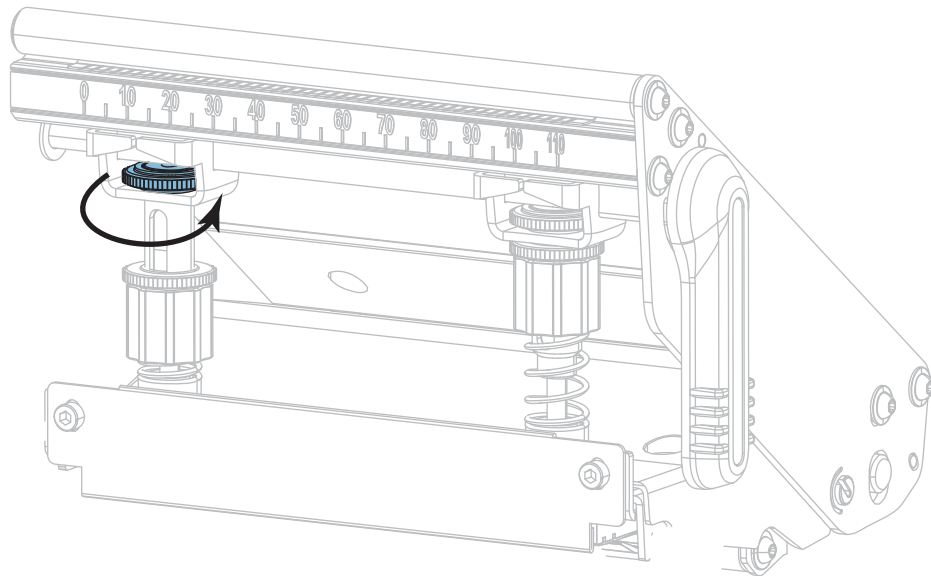
2. Afloje la tuerca de fijación en la parte superior de la palanca acodada que desea mover.



3. Vuelva a posicionar la palanca acodada según sea necesario para proporcionar una presión uniforme sobre el papel. Para papel extremadamente angosto, posicione la palanca acodada interior encima del centro del papel y disminuya la presión en la palanca acodada exterior.



4. Apriete la tuerca de fijación.



## Ajuste de presión del cabezal de impresión

Si el posicionamiento adecuado de las palancas acodadas no resuelve el problema de calidad de impresión o de otro tipo, intente ajustar la presión del cabezal de impresión. Maximice la vida útil del cabezal de impresión utilizando la mínima presión que produzca la calidad de impresión deseada.

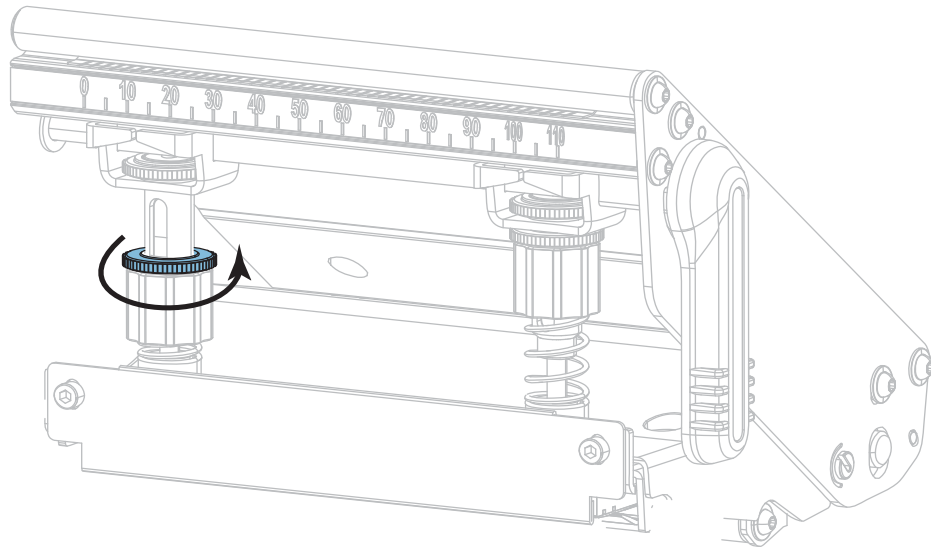
### Para ajustar la presión del cabezal de impresión, lleve a cabo los siguientes pasos:

1. Inicie la opción LÍNEA DE IMPRESIÓN de *IMPR FORMATO PRUEB* en la página 140.
2. Mientras imprime las etiquetas, utilice los controles del panel de control para disminuir el ajuste del contraste hasta que las etiquetas se impriman en gris en vez de en negro. (Consulte la sección *CONTRASTE* en la página 104).
3. ¿Tiene alguno de los siguientes problemas?

Si el papel...	Entonces...
Requiere mayor presión total para imprimir bien	Aumente la presión en ambas palancas acodadas.
Requiere menor presión total para imprimir bien	Disminuya la presión en ambas palancas acodadas.
Imprime muy levemente en el lado izquierdo de la etiqueta.	Aumente la presión en la palanca acodada interior.
Imprime muy levemente en el lado derecho de la etiqueta.	Aumente la presión en la palanca acodada exterior.
Se desplaza hacia la izquierda al imprimir.	Aumente la presión en la palanca acodada exterior. O Disminuya la presión en la palanca acodada interior.
Se desplaza hacia la derecha al imprimir	Aumente la presión en la palanca acodada interior. O Disminuya la presión en la palanca acodada exterior.

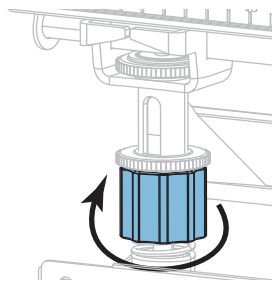
Si no tiene ninguno de estos problemas, continúe con este procedimiento.

4. Para realizar ajustes en la presión del cabezal de presión, afloje la tuerca moleteada superior de la palanca acodada que desea ajustar.

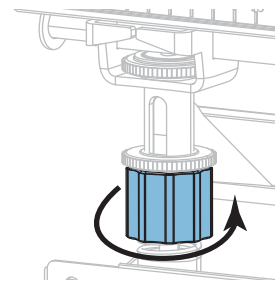


5. Aumente o disminuya la presión girando la tuerca inferior.

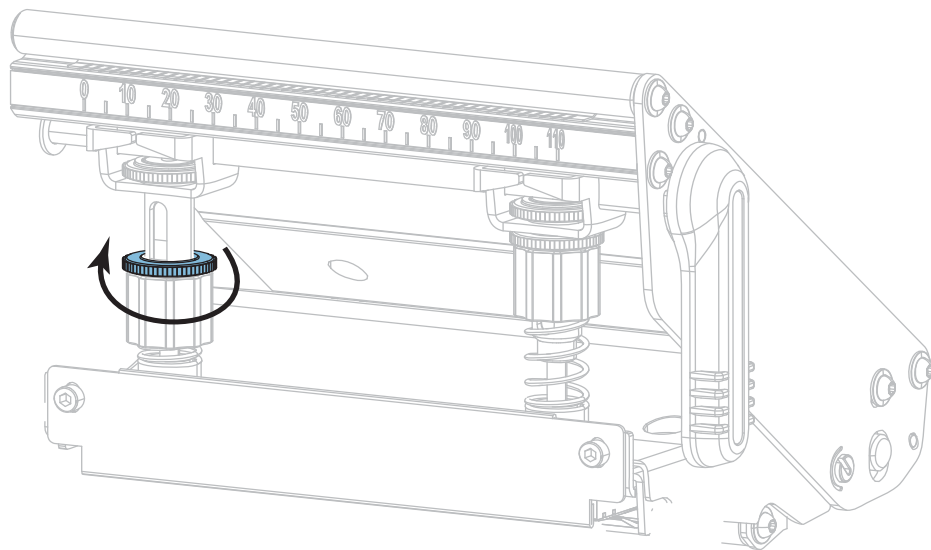
**Aumentar presión**



**Disminuir presión**



6. Sostenga en su lugar la tuerca inferior y ajuste la tuerca moleteada superior.



7. Si es necesario, vuelva a iniciar la opción LÍNEA DE IMPRESIÓN de *IMPR FORMATO PRUEB* en la página 140.
8. Mientras imprime las etiquetas, utilice los controles del panel de control para aumentar el ajuste del contraste hasta que las etiquetas se vuelvan a imprimir en negro en vez de en gris. (Consulte la sección *CONTRASTE* en la página 104).
9. Compruebe la calidad de impresión y, si es necesario, repita este procedimiento hasta que la presión del cabezal de impresión sea la adecuada.

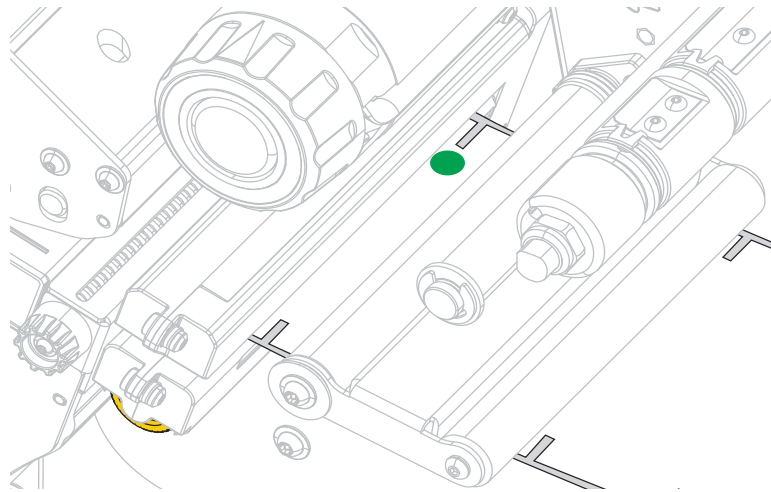
## Ajustar la posición del sensor

En conjunto del sensor de papel transmisivo consta de dos piezas: una fuente de luz y un sensor de luz. La parte inferior del sensor de papel es la fuente de luz, y la parte superior del sensor de papel es el sensor de luz. El papel pasa entre las dos partes.

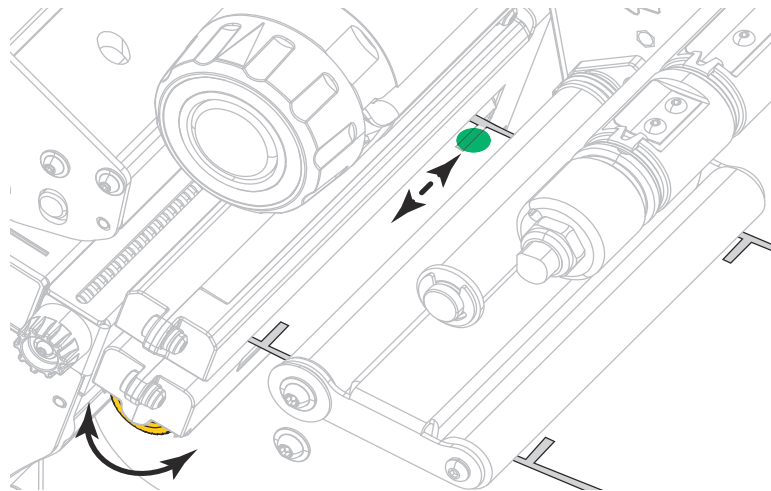
Ajuste la posición del sensor solo si la impresora no puede detectar la parte superior de las etiquetas. En esta situación, la pantalla mostrará un error de falta de papel a pesar de que haya papel cargado en la impresora. Para papel no continuo con una muesca o un orificio, el sensor debe estar posicionado directamente en la muesca o el orificio.

### Para ajustar el sensor de papel transmisivo, siga estos pasos:

1. Quite la cinta para poder ver claramente la trayectoria del papel.
2. Con el papel cargado, localice la luz verde que brilla desde la parte inferior del sensor de papel.



3. Si es necesario, gire la rueda de ajuste del sensor transmisivo de color dorado para mover el sensor hasta que quede posicionado en una muesca o en un orificio del papel.



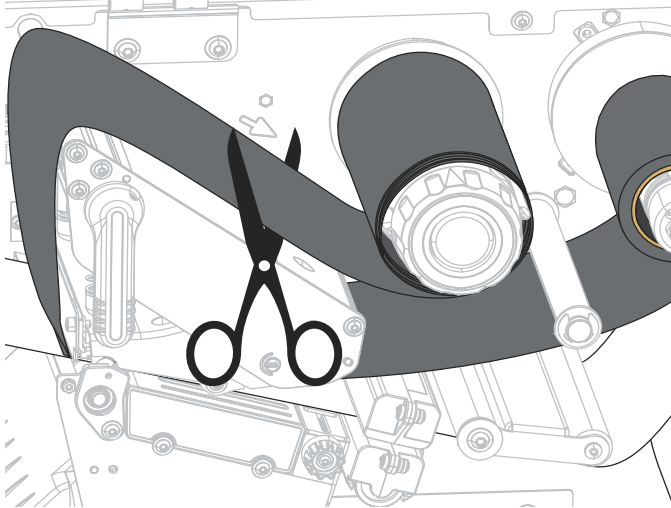
## Extraer la cinta usada

Deberá extraer la cinta usada del rodillo de tensado de la cinta cada vez que cambie el rollo de cinta o con una frecuencia mayor. Si la cinta mide la mitad o menos del ancho del cabezal de impresión, retire la cinta usada cada vez que cargue un nuevo rollo de papel. De este modo, se asegurará de que la presión sobre el rodillo de tensado de la cinta no interfiera con las barras de liberación de la cinta en el rodillo.

Para extraer la cinta usada, lleve a cabo los siguientes pasos:

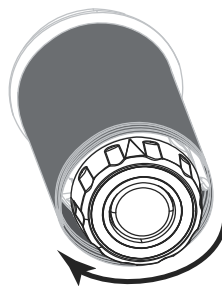
1. ¿Se ha acabado la cinta?

Si...	Entonces...
Se acabó	Continúe con el paso siguiente.
No se acabó	Corte o rompa la cinta antes de que alcance el rodillo de tensado de la cinta.



**Precaución** • No corte la cinta encima del rodillo de tensado de la cinta. Si lo hace, puede dañar el rodillo.

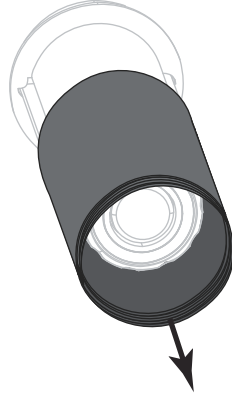
2. Mientras sostiene el rodillo de tensado de cinta, gire la perilla de liberación de la cinta hacia la izquierda hasta que se detenga.



Las barras de liberación de la cinta pivotan hacia abajo, lo que facilita el agarre del rodillo sobre la cinta usada.



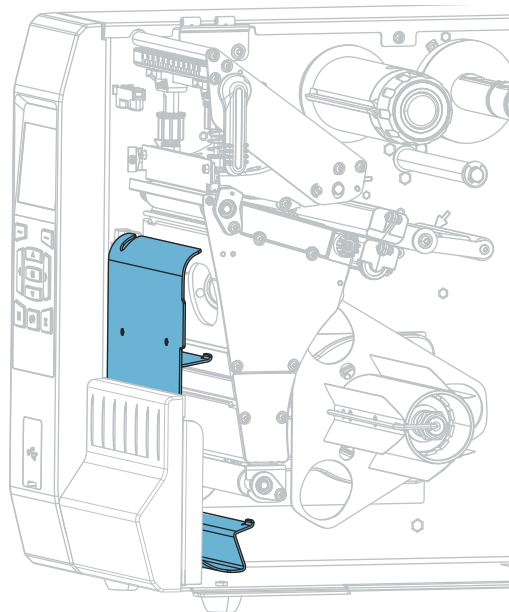
3. Una vez que las barras de liberación de la cinta haya pivotado hacia abajo, gire el rodillo de tensado de la cinta una vuelta completa hacia la derecha, de ser posible, para aflojar la cinta del rodillo.
4. Retire la cinta usada del rodillo de tensado de la cinta y deséchela.



## Instalar la placa de rebobinado/tensado del papel protector

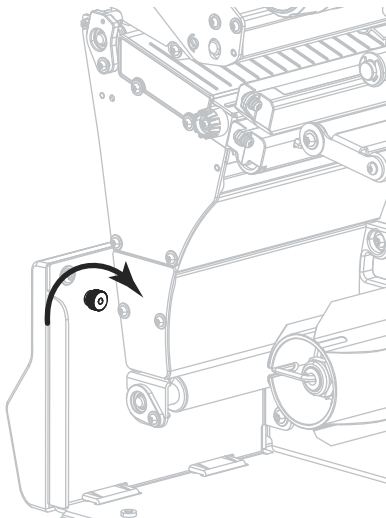
La placa de rebobinado/tensado del papel protector se utiliza en distintas posiciones para el modo Rebobinado, a diferencia del modo Despegar o del modo Aplicador.

### Modo Despegar/Modo Aplicador

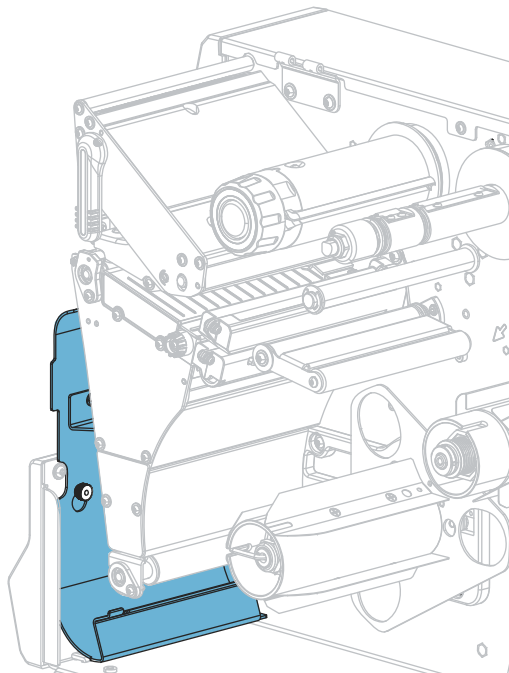


**Para instalar la placa de rebobinado/tensado del papel protector en el modo Despegar o Aplicador:**

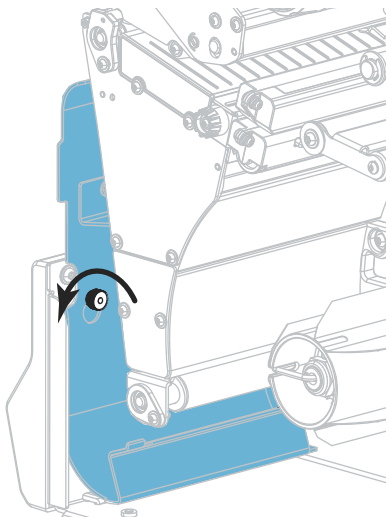
1. Afloje la tuerca moleteada (1) en el montante exterior de la base de la impresora.



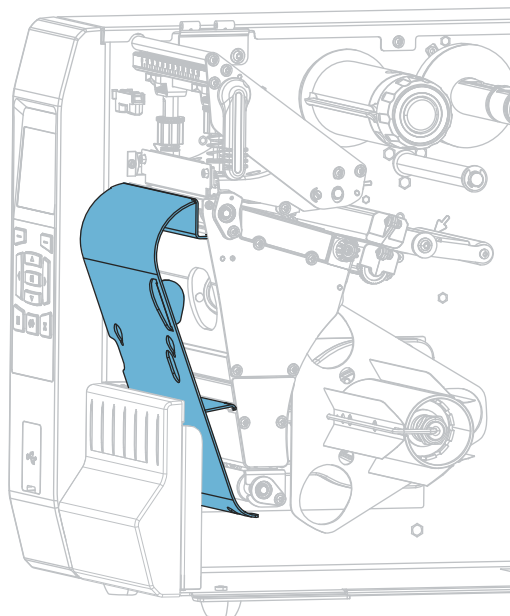
2. Alinee el orificio grande del ojo de cerradura de la placa de rebobinado/despegue con la tuerca moleteada y deslice la placa hacia abajo hasta que toque el montante.



3. Apriete la tuerca moleteada.

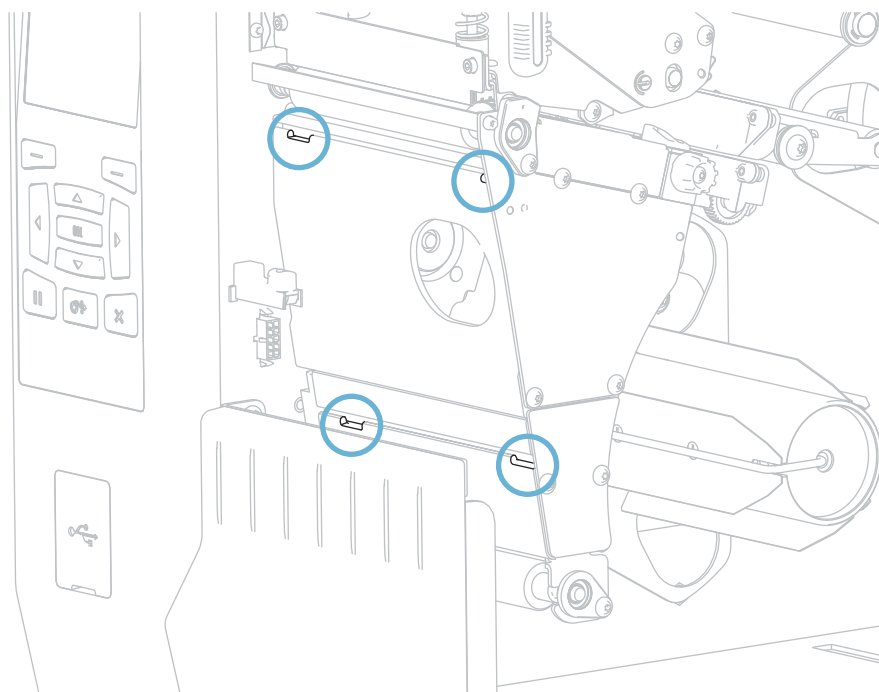


## Modo Rebobinado

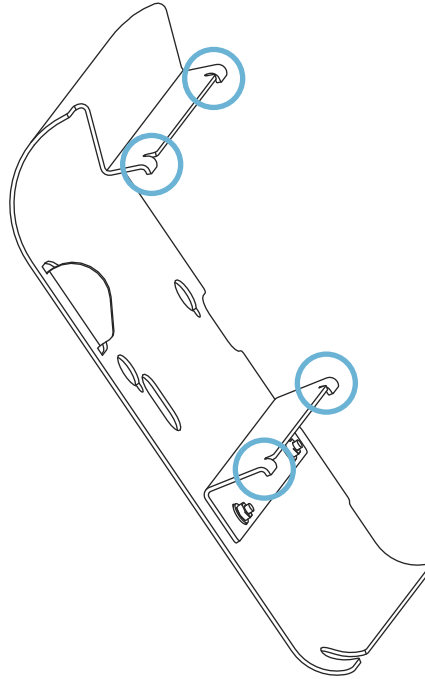


**Para instalar la placa de rebobinado/tensado del papel protector en el modo Rebobinado:**

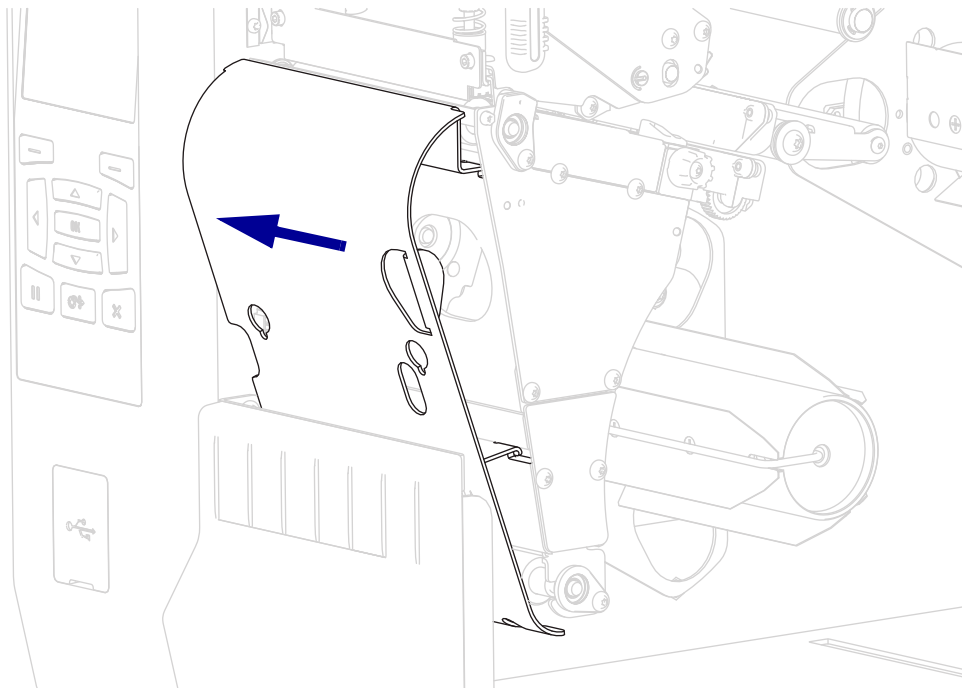
1. Ubique las cuatro ranuras de montaje de la placa de rebobinado/tensado del papel protector.



2. Ubique las cuatro lengüetas de montaje de la placa de rebobinado/tensado del papel protector.



3. Inserte las lengüetas de montaje de la placa de rebobinado en las ranuras de montaje de la impresora y deslice la placa de rebobinado hacia la izquierda hasta que haga tope.





**Notas •** \_\_\_\_\_

\_\_\_\_\_

\_\_\_\_\_

\_\_\_\_\_

\_\_\_\_\_

\_\_\_\_\_

\_\_\_\_\_

\_\_\_\_\_

\_\_\_\_\_

\_\_\_\_\_

# Mantenimiento de rutina

En esta sección, se describen los procedimientos de mantenimiento y limpieza de rutina.

## Contenido

Programa y procedimientos de limpieza . . . . .	214
Limpiar el exterior de la impresora, el compartimiento del papel y los sensores . . . . .	215
Limpiar el cabezal de impresión y el rodillo portapapeles . . . . .	216
Limpiar el módulo del cortador. . . . .	220
Reemplazar los componentes de la Impresora . . . . .	228
Encargar piezas de reemplazo . . . . .	228
Reciclar los componentes de la Impresora. . . . .	228
Lubricación. . . . .	228

## Programa y procedimientos de limpieza

El mantenimiento preventivo de rutina es una parte crucial de la operación normal de la impresora. Si cuida bien su impresora, puede minimizar los posibles problemas que podría tener y puede ayudar a que se logren y mantengan sus estándares de calidad de impresión.

Con el paso del tiempo, el desplazamiento del papel o de la cinta por el cabezal de impresión produce un desgaste del revestimiento cerámico protector, lo que expone y posiblemente daña los elementos de impresión (puntos). Para evitar la abrasión:

- Limpie el cabezal de impresión a menudo.
- Minimice los valores de presión del cabezal de impresión y de temperatura de quemado (contraste) al optimizar el equilibrio entre las dos.
- Cuando utilice el modo Transferencia térmica, asegúrese de que la cinta sea tanto o más ancha que el papel para evitar que los elementos del cabezal de impresión queden expuestos al material más abrasivo de las etiquetas.



**Importante** • Zebra no es responsable de daños causados por el uso de líquidos de limpieza en esta impresora.

En las próximas páginas se brindan los procedimientos específicos de limpieza. La [Tabla 5](#) muestra el programa de limpieza recomendado. Estos intervalos se proponen solamente como recomendaciones. Probablemente deba realizar los procedimientos de limpieza con mayor frecuencia, según la aplicación y el papel que utilice.

**Tabla 5 • Programa de limpieza recomendado**

Área		Método	Intervalo
Cabezal de impresión		Solvente*	<b>Modo de impresión térmica directa:</b> cada vez que se cambia el rollo de papel (o cada 152 m [500 pies] de papel plegado continuo). <b>Modo de impresión de transferencia térmica:</b> después de cada rollo de papel.
Rodillo portapapeles		Solvente*	
Sensores de papel		Soplado de aire	
Sensor de cinta		Soplado de aire	
Trayectoria del papel		Solvente*	
Trayectoria de la cinta		Solvente*	
Rodillo de presión (parte de la opción Despegar)		Solvente*	
Módulo del cortador	Para cortar papel continuo sensible a la presión	Solvente*	Después de cada rollo de papel (o más menudo, según su aplicación y papel).
	Para suministro de rótulos o papel protector	Solvente* y soplado de aire	Después de cada dos o tres rollos de papel.
Barra para cortar manualmente/despegar		Solvente*	Una vez por mes.
Sensor de tomar etiqueta		Soplado de aire	Una vez cada seis meses.

\* Zebra recomienda el uso del Equipo de mantenimiento preventivo (n.º de pieza 47362 o n.º de pieza 105950-035 - multipack). En lugar de este equipo, puede utilizar un hisopo limpio empapado en una solución de alcohol isopropílico al 99,7 %.

Con impresoras de 600 dpi, utilice la película de limpieza Save-a-Printhead. Este material especialmente revestido elimina la contaminación acumulada sin dañar el cabezal de impresión. Llame a su revendedor o distribuidor autorizado para obtener más información.



## Limpiar el exterior de la impresora, el compartimiento del papel y los sensores

Con el paso del tiempo, se puede acumular polvo, suciedad y otros residuos en el exterior y en el interior de su impresora, en particular si se encuentra en un ambiente de operación no adecuado.

### Exterior de la impresora

Puede limpiar las superficies del exterior de la impresora con un paño libre de pelusa ligeramente humedecido con un detergente suave, si es necesario. No utilice agentes de limpieza abrasivos o solventes.

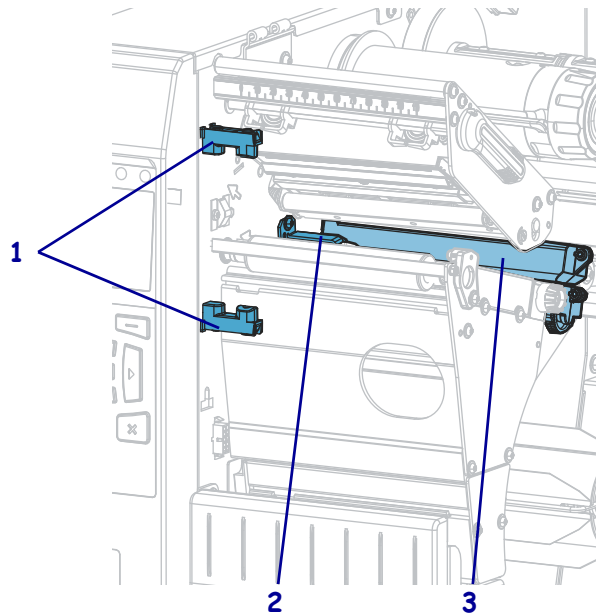


**Importante** • Zebra no es responsable de daños causados por el uso de líquidos de limpieza en esta impresora.

### Compartimiento del papel y sensores

**Para limpiar los sensores, siga los siguientes pasos:**

1. Cepille, utilice soplado de aire o aspire las pelusas de papel y el polvo acumulados en las trayectorias del papel y de la cinta.
2. Cepille, utilice soplado de aire o aspire las pelusas de papel y el polvo de los sensores.



1	Sensor de tomar etiqueta
2	Sensor de cinta
3	Sensor de papel

## Limpiar el cabezal de impresión y el rodillo portapapeles

Una calidad de impresión incongruente —con vacíos en el código de barras o en gráficos, por ejemplo—, puede indicar que un cabezal de impresión está sucio. Para obtener información sobre el programa de limpieza recomendado, consulte la [Tabla 5 en la página 214](#).

---

**Precaución** • Cuando realice cualquier tarea cerca de un cabezal de impresión abierto, quítese anillos, relojes, collares, placas de identificación u otros objetos metálicos que puedan tocar el cabezal de impresión. No es necesario que desconecte la alimentación eléctrica de la impresora cuando trabaje cerca de un cabezal de impresión abierto, pero Zebra se lo recomienda como precaución. Si desconecta la alimentación eléctrica, perderá toda la configuración temporal como formatos de etiquetas, y debe volver a cargarlos antes de reanudar la impresión.

---



---

**Precaución** • El cabezal de impresión podría estar caliente y causar quemaduras graves. Deje enfriar el cabezal de impresión.

---



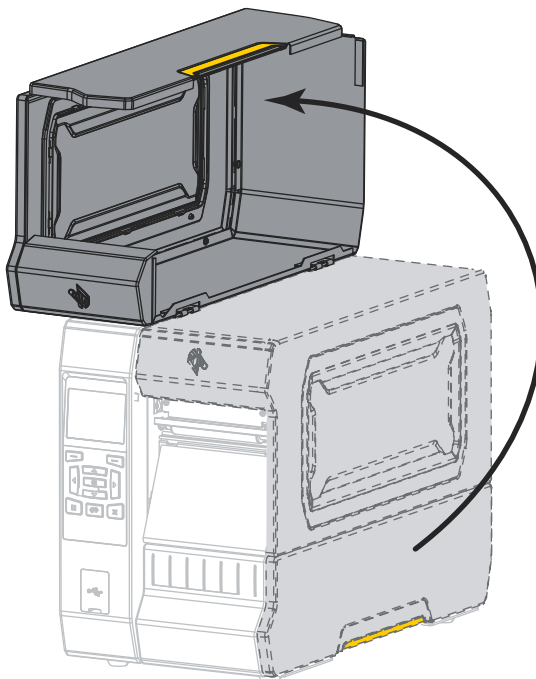
---

**Precaución** • Antes de tocar el conjunto del cabezal de impresión, descargue cualquier electricidad estática acumulada tocando el bastidor metálico de la impresora o utilizando una muñequera y una alfombrilla antiestáticas.

---

### Para limpiar el cabezal de impresión y el rodillo portapapeles, lleve a cabo los siguientes pasos:

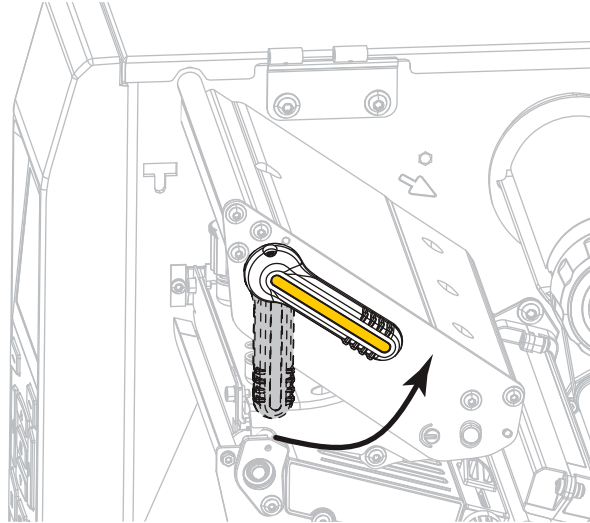
1. Levante la puerta del compartimiento del papel.



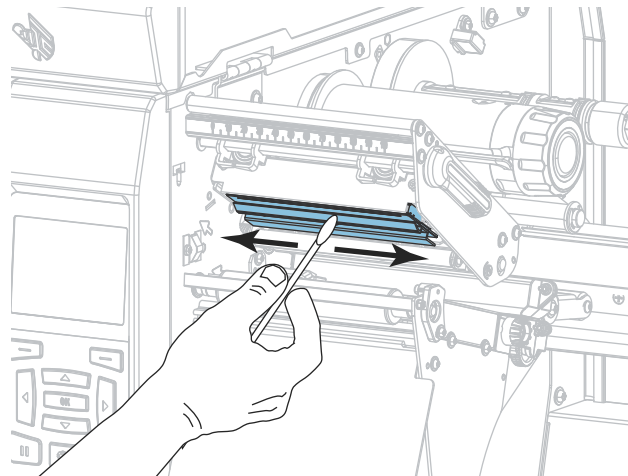


2. **Precaución** • El cabezal de impresión podría estar caliente y causar quemaduras graves. Deje enfriar el cabezal de impresión.

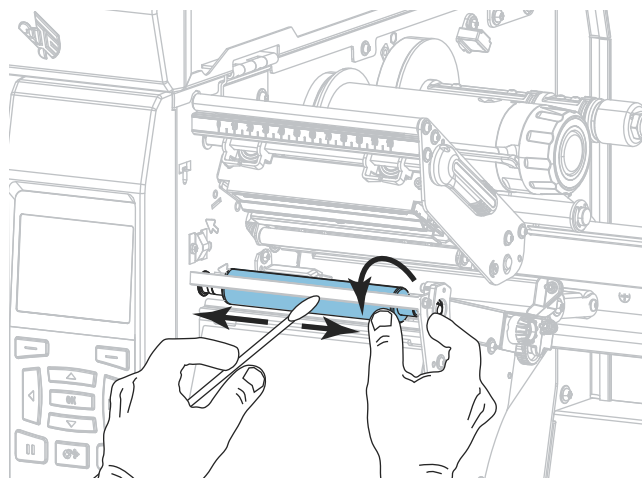
Abra el conjunto del cabezal de impresión girando hacia arriba la palanca de apertura del cabezal de impresión.



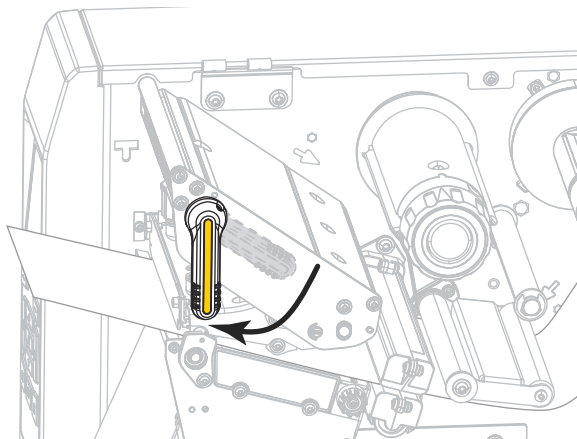
3. Quite la cinta (si se utiliza) y el papel.
4. Limpie la tira marrón encima del cabezal de impresión de extremo a extremo con el Equipo de mantenimiento preventivo de Zebra. En lugar de este equipo, también puede utilizar un hisopo limpio empapado en una solución de alcohol isopropílico al 99,7 %. Deje que el solvente se evapore.



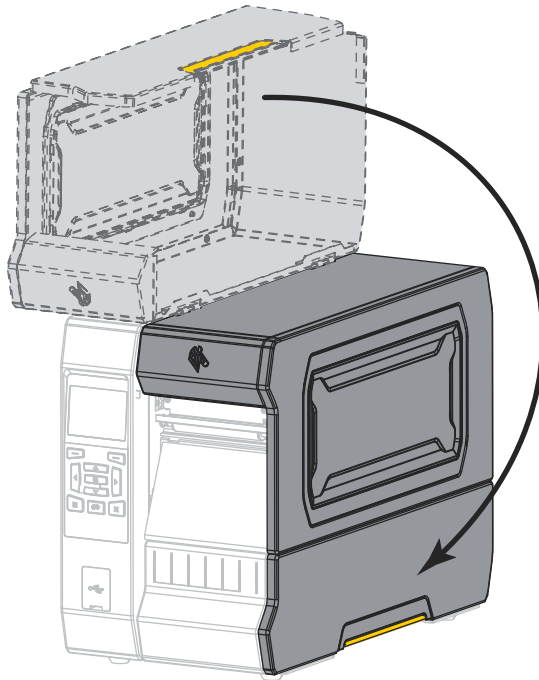
5. Mientras rota manualmente el rodillo portapapeles, límpielo minuciosamente con el hisopo. Deje que el solvente se evapore.



6. Vuelva a cargar la cinta (si se utiliza) y el papel. Para obtener instrucciones detalladas, consulte la sección [Cargar la cinta en la página 58](#) o [Cargar el papel en la página 32](#).
7. Gire hacia abajo la palanca de apertura del cabezal de impresión hasta que este quede fijo en posición.



8. Cierre la puerta del compartimiento del papel.



La impresora está lista para funcionar.

9. Presione PAUSE (PAUSA) para salir del modo pausa y activar la impresión.

La impresora puede realizar una calibración de etiqueta o cargar una etiqueta según la configuración.



**Nota** • Si la calidad de impresión no mejora después de llevar a cabo este procedimiento, intente limpiar el cabezal de impresión con la película de limpieza *Save-A-Printhead*. Este material especialmente revestido elimina la contaminación acumulada sin dañar el cabezal de impresión. Llame a su revendedor autorizado de Zebra para obtener más información.

## Limpiar el módulo del cortador

Si el cortador no está cortando las etiquetas completamente o se atasca con las etiquetas, limpie las cuchillas del cortador.



---

**Precaución** • Para seguridad personal, siempre desconecte la alimentación eléctrica y desenchufe la impresora antes de realizar este procedimiento.

---

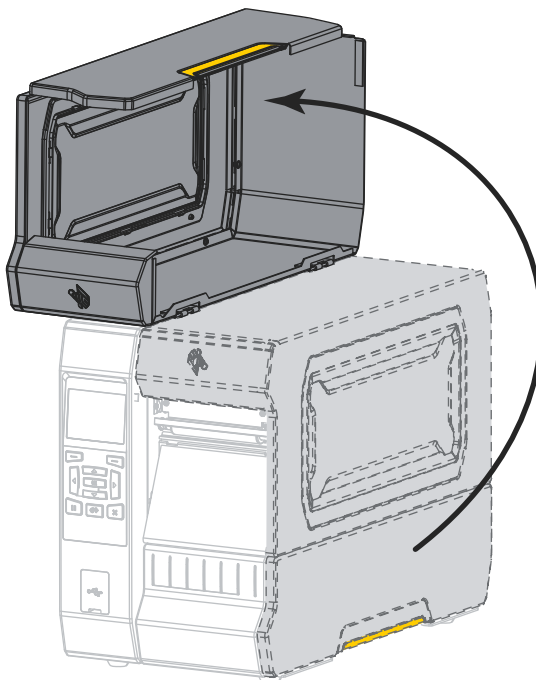
### Para limpiar el módulo del cortador, siga los siguientes pasos:



1. **Precaución** • Apague (O) la impresora y desconéctela de la fuente de alimentación eléctrica antes de realizar el siguiente procedimiento.
- 

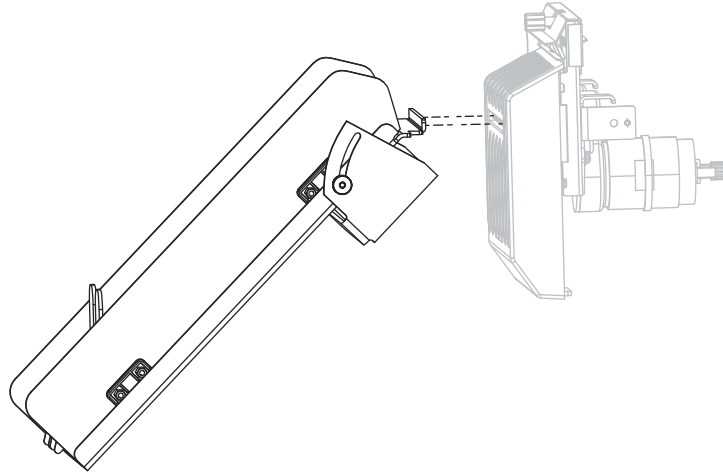
Apague (O) la impresora y desconecte el cable de alimentación eléctrica de c.a.

2. Levante la puerta del compartimiento del papel.

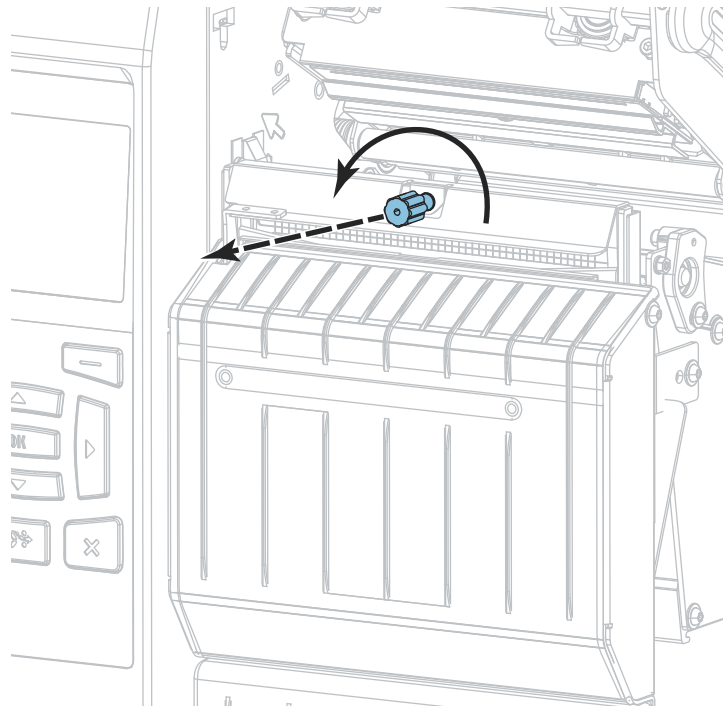


3. Quite el papel del módulo del cortador.

4. Quite la bandeja de captura del cortador (si se utiliza).



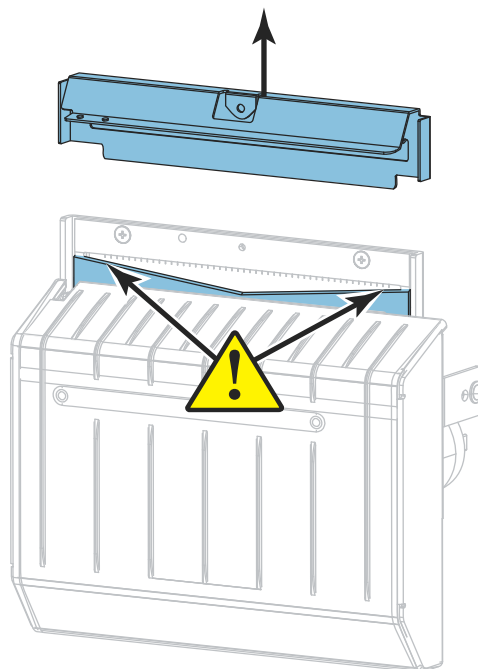
5. Afloje y extraiga el tornillo de mariposa y arandela de presión del protector del cortador.





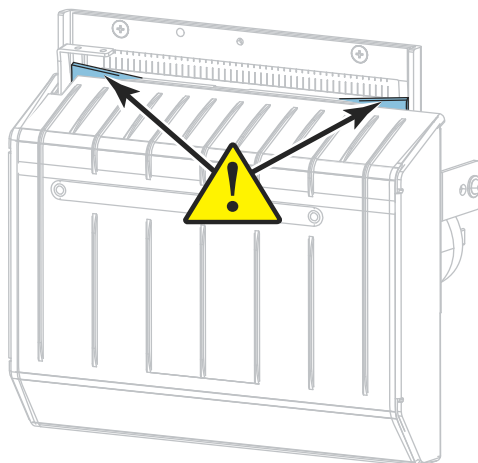
6. **Precaución** • La cuchilla de corte está muy afilada. No la toque ni la frote con los dedos.

Extraiga el protector del cortador.

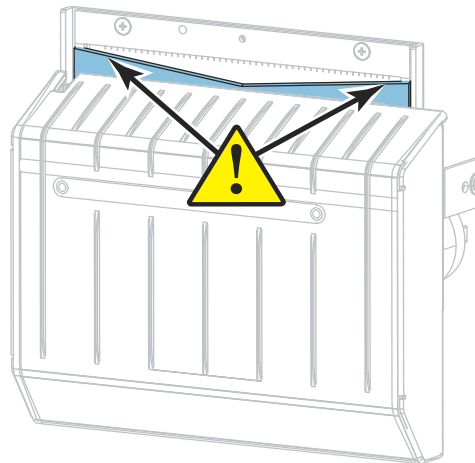


7. ¿La cuchilla del cortador queda totalmente expuesta?

**Cuchilla en posición baja**



**Cuchilla totalmente expuesta**



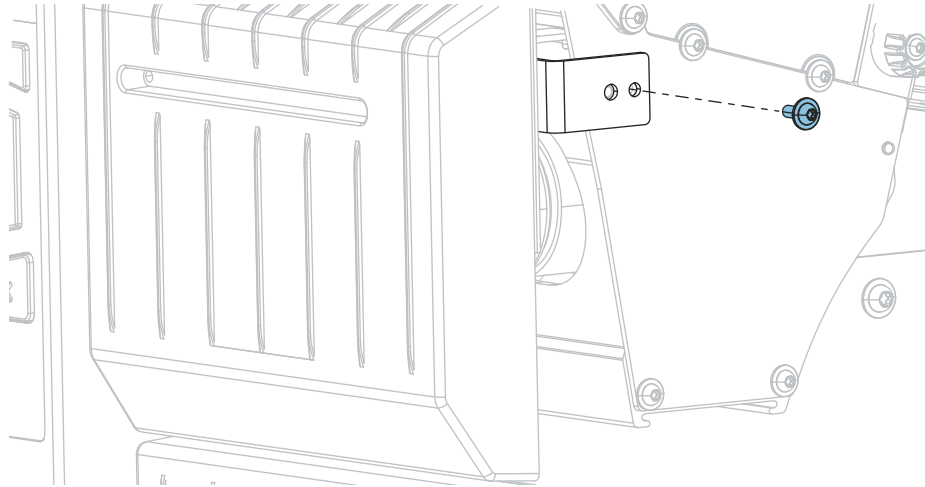
Si...	Entonces...
La cuchilla está en posición baja	Continúe con el <a href="#">paso 8</a> para retirar el módulo del cortador de la impresora y girar la cuchilla hacia arriba.
La cuchilla está totalmente expuesta	Vaya directamente a <a href="#">paso 9 en la página 225</a> .



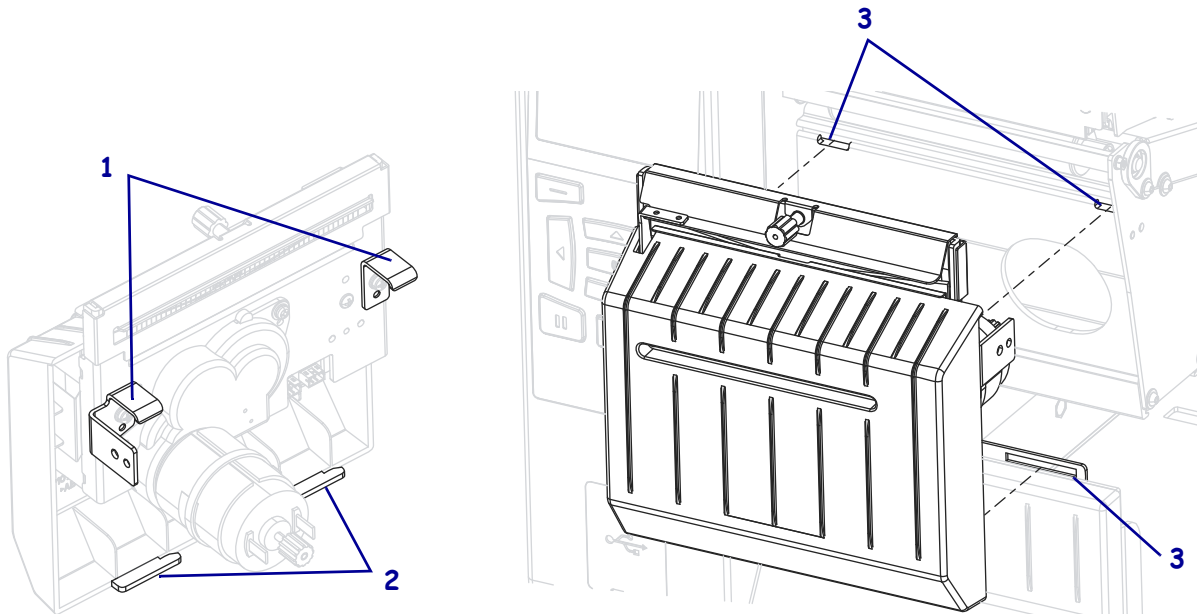


8. **Importante** • Esta parte del procedimiento solo debe ser realizada por usuarios experimentados y únicamente cuando la cuchilla del cortador no esté totalmente expuesta para efectuar la limpieza, tal como se mostró en el paso anterior.

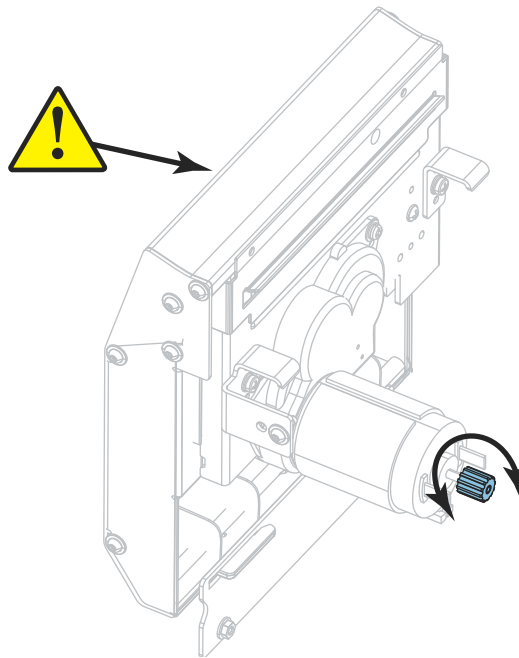
8-a. Extraiga el tornillo de montaje del cortador.



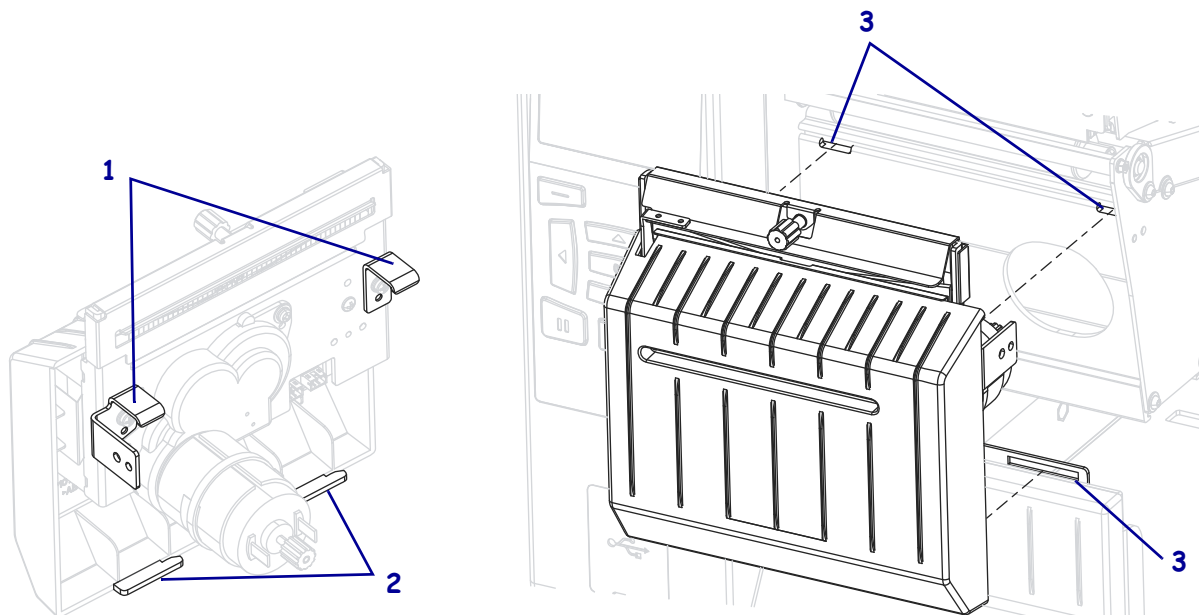
8-b. Deslice el módulo del cortador hacia la derecha para alinear las pestañas del conjunto cortador (1) y las de la cubierta del cortador (2) con las ranuras correspondientes (3) en la impresora, y luego levante el módulo del cortador para extraerlo de la impresora. Procure no dañar los cables que conectan el módulo del cortador con la impresora. Si lo desea, puede desconectar estos cables.



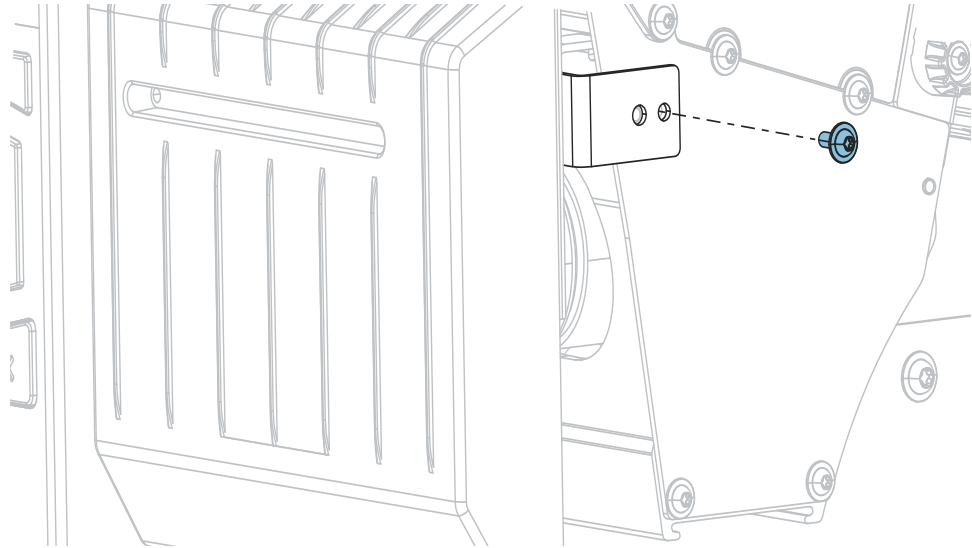
- 8-c.** En la parte trasera del módulo del cortador, gire el tornillo de mariposa del motor del cortador para que la cuchilla quede totalmente expuesta.



- 8-d.** Si desconectó los cables que conectan el módulo del cortador con la impresora, vuelva a conectarlos.
- 8-e.** Alinee las pestañas del conjunto cortador (1) y las de la cubierta del cortador (2) con las ranuras correspondientes (3) de la impresora, y luego deslice el módulo del cortador nuevamente en la impresora. Procure no dañar los cables que conectan el módulo del cortador con la impresora.

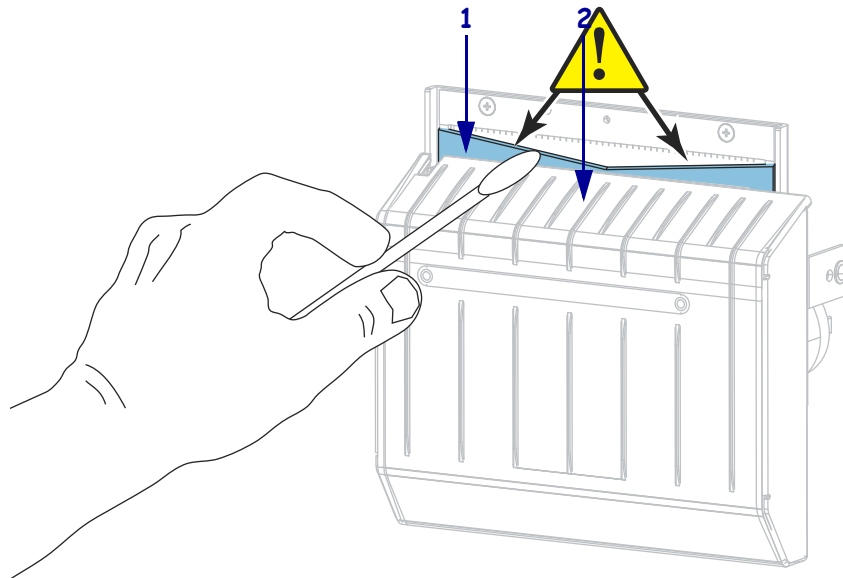


- 8-f.** Deslice el módulo del cortador hacia la izquierda y luego vuelva a colocar el tornillo de montaje del cortador.



- 8-g.** Continúe con el [paso 9](#).

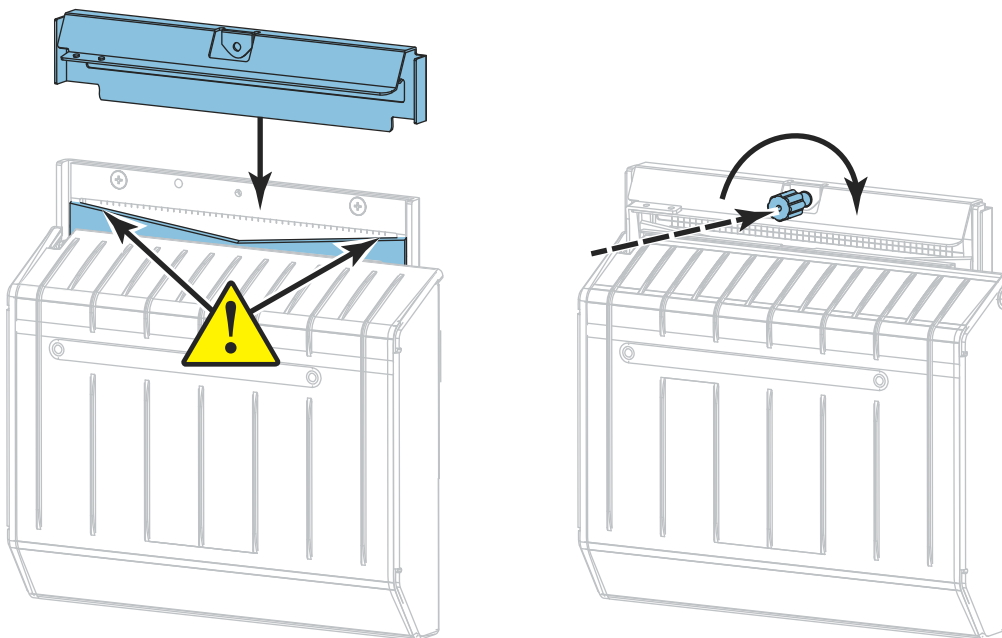
- 9.** Con el hisopo del equipo de mantenimiento preventivo (número de pieza 47362), limpie la superficie de corte superior (1) y la cuchilla del cortador (2). En lugar de este equipo, también puede utilizar un hisopo limpio empapado en una solución de alcohol isopropílico al 99,7 %. Deje que el solvente se evapore.





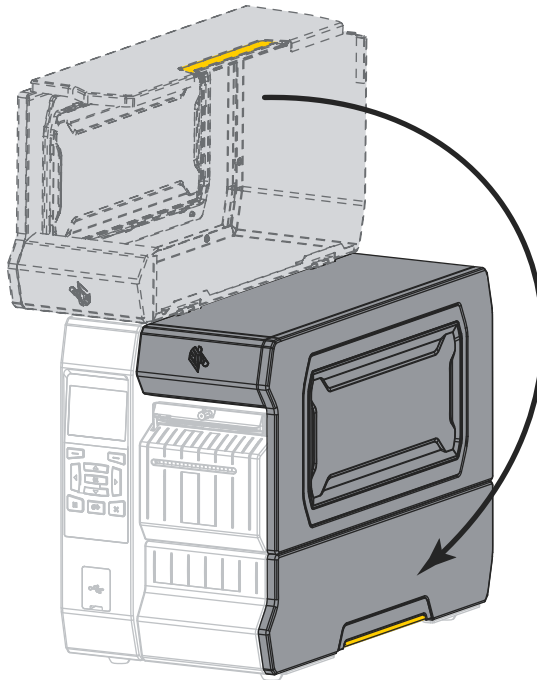
10. **Precaución** • La cuchilla de corte está muy afilada. Para seguridad del operador, reemplace el protector del cortador.

Reemplace el protector del cortador y asegúrelo con el tornillo de mariposa y la arandela prisionera que quitó anteriormente.



11. Vuelva a instalar el papel.

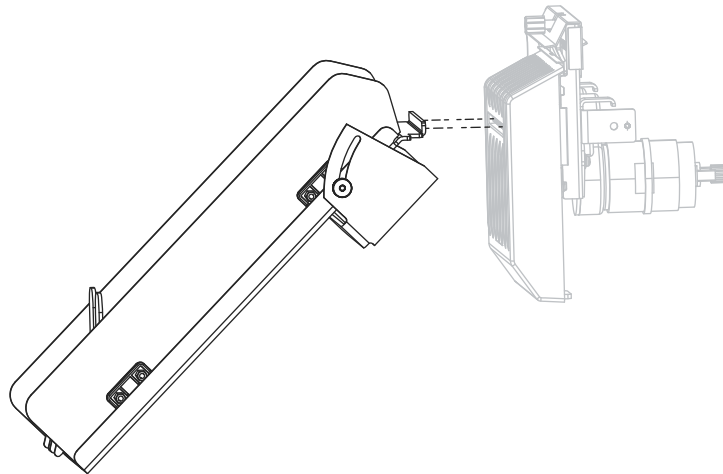
12. Cierre la puerta del compartimiento del papel.



13. Enchufe la impresora a la fuente de alimentación eléctrica, y después encienda la (I) impresora.

La cuchilla del cortador vuelve a su posición de funcionamiento.

14. Vuelva a colocar la bandeja de captura del cortador (si se utiliza).



15. Si el cortador continúa desempeñándose poco satisfactoriamente, comuníquese con un técnico de servicio autorizado.

## Reemplazar los componentes de la Impresora

Algunos componentes de la impresora, como el cabezal de impresión y el rodillo portapapeles, pueden desgastarse con el tiempo y se pueden reemplazar fácilmente. La limpieza regular puede prolongar la vida útil de estos componentes. Consulte la sección [Tabla 5 en la página 214](#) para ver los intervalos de limpieza recomendados.

### Encargar piezas de reemplazo

Para lograr óptima calidad de la impresión y adecuado desempeño de la impresora a través de nuestra línea de productos, Zebra recomienda enfáticamente el uso de suministros Zebra™ genuinos como parte de la solución total. Específicamente, las impresoras de serie ZT600 están diseñadas para trabajar solo con cabezales de impresión Zebra™ genuinos, de modo que se maximice la seguridad y la calidad de impresión.

Póngase en contacto con un revendedor de Zebra autorizado para obtener información de pedido de piezas.

### Reciclar los componentes de la Impresora



La mayoría de los componentes de esta impresora son reciclables. La placa lógica principal de la impresora puede incluir una batería que usted debe desechar adecuadamente.

No deseche ninguno de los componentes de la impresora con el resto de los residuos.

Deseche la batería de acuerdo con las regulaciones locales y recicle los otros componentes de la impresora según las normas locales. Para obtener más información, visite <http://www.zebra.com/environment>.

## Lubricación

Esta impresora no necesita ningún tipo de lubricación.

---

**Precaución** • Si se utilizan en esta impresora, algunos lubricantes disponibles en el comercio pueden dañar el acabado y las piezas mecánicas.

---

# Diagnóstico y solución de problemas

Esta sección proporciona las pruebas de diagnóstico y otros datos que pueden ayudar a optimizar la impresión o a solucionar problemas de la impresora.

Para ver videos sobre los procedimientos comunes, visite <http://www.zebra.com/zt600-info>.



## Contenido

Códigos QR y páginas de Ayuda rápida.....	230
Clasificación de calidad del código de barras .....	231
Pruebas de diagnóstico de la impresora .....	233
Opción Imprimir formato de prueba .....	234
Prueba de contraste y velocidad óptimos .....	239
Prueba de diagnóstico de comunicaciones .....	241
Perfil de sensor .....	242
Solución de problemas.....	246
Luces indicadoras .....	244
Mensajes de alerta y de error .....	246
Problemas de impresión .....	251
Problemas con la cinta .....	255
Problemas con la RFID .....	257
Problemas con las comunicaciones.....	260
Problemas misceláneos de la impresora.....	261

## Códigos QR y páginas de Ayuda rápida.

La impresora posee numerosos mensajes de alerta y de error, e incluye la opción de ver una página de Ayuda rápida en un teléfono inteligente. Cuando esta opción está disponible, en el extremo inferior derecho del mensaje aparece **QR**.

### Para acceder a una página de Ayuda rápida desde un mensaje de error, haga lo siguiente:

1. Mientras el mensaje está en pantalla, presione el botón de SELECCIÓN DERECHO para seleccionar **QR**.

La impresora mostrará una página de Ayuda rápida específica del mensaje de error. La página incluirá un código QR, como este.



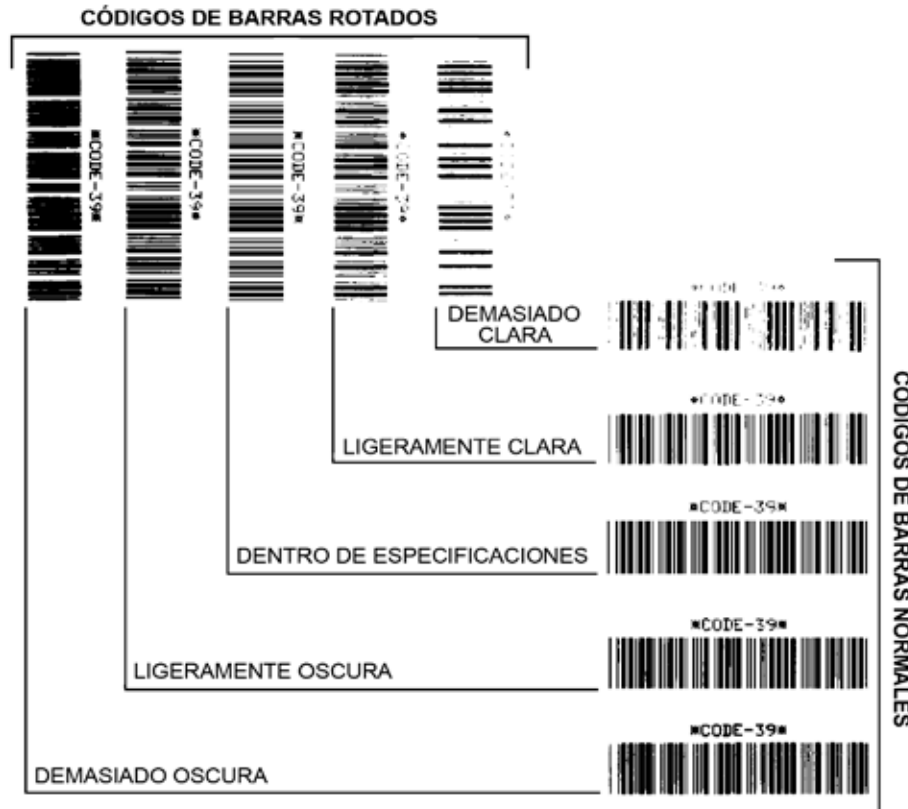
2. Escanee el código QR con un teléfono inteligente.  
El teléfono accederá a un video específico del mensaje de error o a la página de soporte técnico de Zebra correspondiente a la impresora.



## Clasificación de calidad del código de barras

La [Figura 18](#) muestra cómo las configuraciones de contraste de impresión y velocidad de impresión afectan la calidad de los códigos de barras. Establezca el contraste de impresión en el valor más bajo con el que se pueda obtener una buena calidad de impresión. Se pueden utilizar la [Opción Imprimir formato de prueba en la página 234](#) y el [Prueba de contraste y velocidad óptimos en la página 239](#) como ayuda para determinar la configuración óptima de la impresora y del papel.

**Figura 18 • Comparación de contrastes de códigos de barras**



**Demasiado oscura** Las etiquetas que son demasiado oscuras se detectan con bastante facilidad. Pueden ser legibles pero no “dentro de especificaciones”.

- Las barras del código de barras normal aumentan de tamaño.
- Es posible que las separaciones entre los pequeños caracteres alfanuméricos se rellenen con tinta.
- El código de barras rotado tiene barras y espacios que se superponen.

**Ligeramente oscura** Las etiquetas ligeramente oscuras no se detectan con tanta facilidad.

- El código de barras normal estará "dentro de especificaciones".
- Los pequeños caracteres alfanuméricos aparecerán en negrita y podrían rellenarse levemente con tinta.

- Los espacios del código de barras rotado son pequeños si se los compara con los del código que se encuentra “dentro de especificaciones”, posiblemente haciéndolo ilegible.

**"Dentro de especificaciones"** El código de barras “dentro de especificaciones” solo puede ser confirmado mediante un verificador, pero debe exhibir algunas características visibles.

- El código de barras normal tendrá barras completas y parejas y espacios nítidos y separados.
- El código de barras normal rotado barras completas y parejas y espacios nítidos y separados. Si bien es posible que su aspecto no sea tan bueno como el de un código de barras ligeramente oscuro, el código estará “dentro de especificaciones”.
- Tanto en el estilo normal como en el rotado, los pequeños caracteres alfanuméricos se ven completos.

**Ligeramente clara** Las etiquetas ligeramente claras se prefieren, en algunos casos, a las ligeramente oscuras para los códigos de barras “dentro de especificaciones”.

- Los códigos de barras normales y rotados estarán dentro de las especificaciones, pero es posible que los pequeños caracteres alfanuméricos no estén completos.

**Demasiado clara** Las etiquetas que son demasiado claras se detectan con facilidad.

- Tanto los códigos de barras normales como los rotados tienen barras y espacios incompletos.
- Los caracteres alfanuméricos pequeños son ilegibles.

## Pruebas de diagnóstico de la impresora

Las pruebas de diagnóstico brindan información específica sobre la condición de la impresora y sus componentes. Las impresiones que se obtienen proporcionan información útil para determinar las condiciones de funcionamiento óptimas de la impresora y solucionar problemas.



**Importante** • Cuando realice estas pruebas de diagnóstico en esta sección, no envíe datos a la impresora desde el servidor.



**Nota** •

- Para obtener mejores resultados, utilice papel de ancho completo al realizar estas pruebas de diagnóstico.
- Si el papel es más corto que la imagen que desea imprimir, la imagen se extenderá sobre varias etiquetas.
- Si la impresora está en el modo aplicador y el aplicador está tomando el papel protector, el operador del aplicador probablemente deba extraer las etiquetas de prueba a medida que queden disponibles.

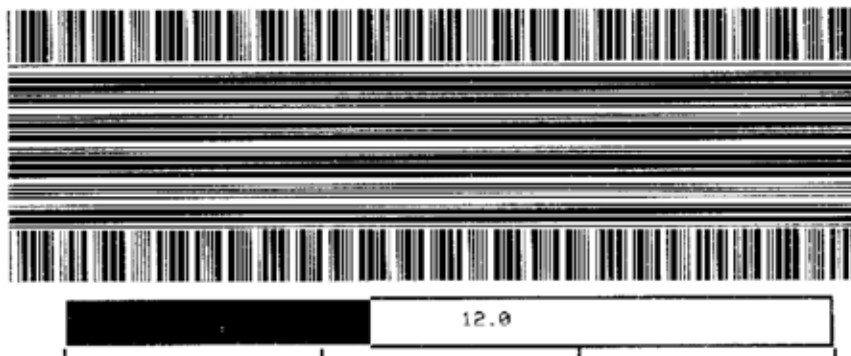
## Opción Imprimir formato de prueba

La opción *IMPR FORMATO PRUEB* en la página 140 se puede utilizar para imprimir varias etiquetas que pueden resultar útiles cuando es necesario solucionar problemas o realizar ajustes en la impresora. Esta opción describe las selecciones correspondientes.

### CONTRASTE

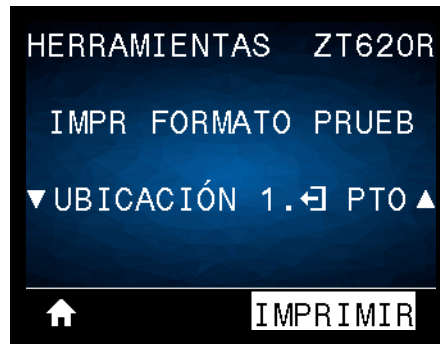


La impresora repite la impresión de una imagen e incrementa los niveles de contraste cada vez. Presione CANCELAR para detener el proceso de impresión en el momento en que el patrón sea claro y legible.

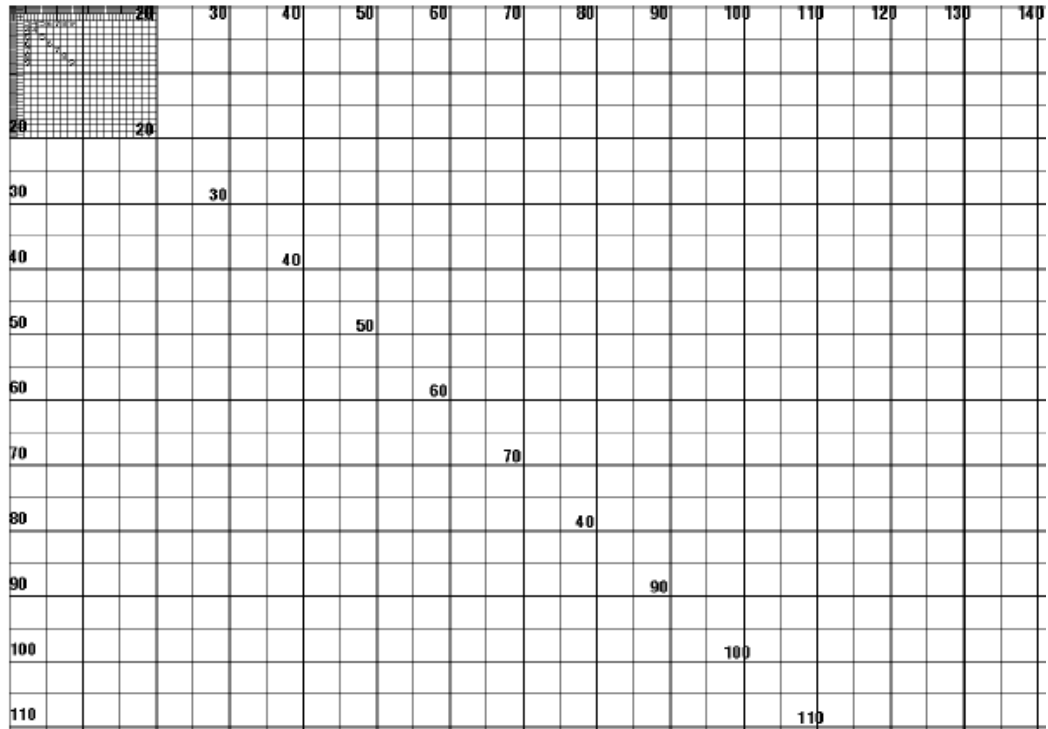


Utilice los números sobre las imágenes para determinar el mejor contraste de impresión. De ser necesario, cambie la configuración del contraste en función de la que obtuvo en los mejores resultados de las etiquetas anteriores. (Consulte *CONTRASTE* en la página 104).

## UBICACIÓN 1.º PTO

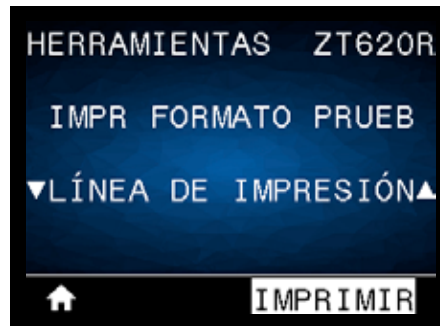


La impresora imprime una imagen que le servirá de ayuda para ajustar la posición de la imagen en las etiquetas, de ser el caso. Las líneas en la imagen se imprimen desde la parte superior y el borde izquierdo de la etiqueta para identificar cuál debe ser el ángulo superior izquierdo de la etiqueta.



Si es necesario, utilice *CORTE MAN.* en la página 108 y *POSICIÓN IZQ.* en la página 112 para ajustar la ubicación de la imagen.

## LÍNEA DE IMPRESIÓN



La impresora inicia una secuencia de prueba que imprime una imagen de prueba de tinta/cabezal de impresión varias veces y a velocidades variables. Estas etiquetas de prueba se pueden utilizar cuando se realizan ajustes en los conjuntos mecánicos de la impresora o para determinar si algún elemento del cabezal de impresión no está funcionando.



Durante cada fase de la secuencia de la prueba, la impresora imprime una cantidad de etiquetas a una velocidad determinada y luego se detiene en pausa.

- Presione PAUSE (PAUSA) para imprimir etiquetas adicionales a la misma velocidad.
- Presione CANCEL (CANCELAR) para pasar a la siguiente fase de la secuencia de la prueba.
- Presione y mantenga presionado CANCEL (CANCELAR) para salir de la secuencia de la prueba.

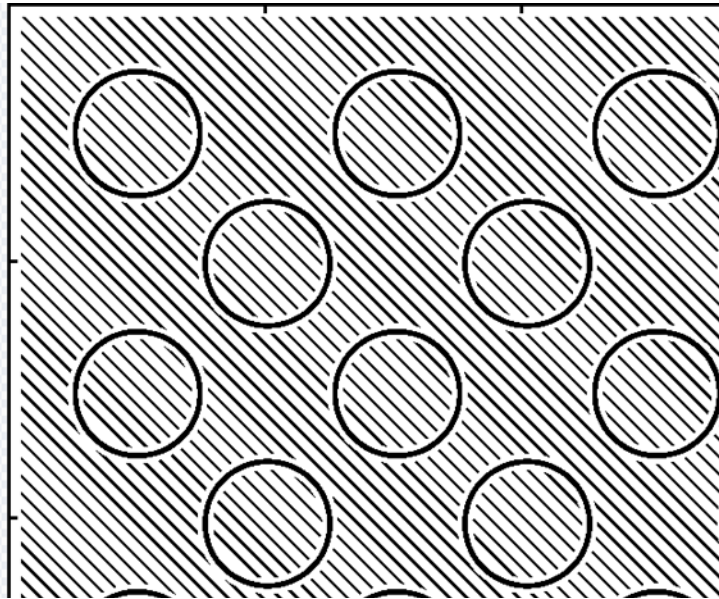
Fase	Cantidad de etiquetas impresas por vez	Velocidad de impresión
1	15 etiquetas	la velocidad más baja de la impresora
2	15 etiquetas	152 mm/s (6 pulg./s)
3	50 etiquetas	la velocidad más baja de la impresora
4	50 etiquetas	152 mm (6 pulg.) por segundo
5	50 etiquetas	la velocidad máxima de la impresora

Como forma alternativa de iniciar la secuencia de prueba LÍNEA DE IMPRESIÓN, reinicie la impresora mientras mantiene presionada la tecla PAUSE (PAUSA). Suelte la tecla PAUSE hasta que se apague la primera luz del panel de control. (Anteriormente, este procedimiento se denominaba autoprueba PAUSE).

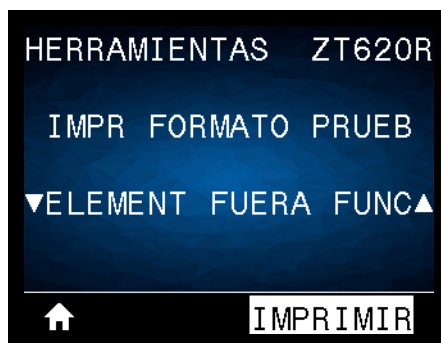
## COMPRESIÓN IMAGEN



La impresora imprime una imagen con líneas diagonales, círculos y marcas hash en intervalos regulares alrededor de los bordes de la imagen a modo de ayuda para los problemas de compresión o extensión de una imagen. Puede medir la distancia entre las marcas hash o comparar los círculos y las líneas para detectar distorsiones.



## ELEMENT FUERA FUNC



La impresora imprime una imagen horizontal diseñada para mostrar si un elemento del cabezal de impresión no está funcionando.





## Prueba de contraste y velocidad óptimos

(Anteriormente, este procedimiento se denominaba autoprueba FEED). Los distintos tipos de papel pueden requerir distinta configuración de contraste. En esta sección se incluye un método sencillo, pero eficaz, para determinar el contraste ideal que requiere la impresión de los códigos de barras que se ajustan a las especificaciones.

Durante esta prueba, las etiquetas se imprimen con distintos ajustes de contraste y velocidades de impresión. En cada etiqueta se imprime el contraste relativo y la velocidad de impresión. Los códigos de barras de estas etiquetas pueden clasificarse según el ANSI para comprobar la calidad de impresión.

El valor de contraste comienza en tres tonalidades más bajas que el valor de contraste actual de la impresora (contraste relativo de -3) y se va oscureciendo hasta adquirir un contraste de tres tonalidades más altas que el valor de contraste actual (contraste relativo de +3).

### Para realizar la prueba de contraste y velocidad óptimos, lleve a cabo los siguientes pasos:

1. Imprima una etiqueta de configuración para ver la configuración actual de la impresora. (Consulte *INFO IMPRES* en la página 119).
2. Apague (O) la impresora.
3. Presione y mantenga presionado el botón FEED (AVANZAR) mientras enciende (I) la impresora. Mantenga presionada FEED hasta que se apague la primera luz del panel de control.

La impresora imprime una serie de etiquetas (Figura 19) a distintas velocidades y con ajustes de contraste más altos y más bajos que el valor de contraste mostrado en la etiqueta de configuración.

Figura 19 • Etiqueta de muestra de la prueba de contraste y velocidad



4. Consulte *Clasificación de calidad del código de barras en la página 231*. Inspeccione las etiquetas de prueba y determine cuál refleja la mejor calidad de impresión para su aplicación. Si tiene un verificador de códigos de barras, utilícelo para medir las barras y los espacios y para calcular el contraste de impresión. Si no tiene un verificador de códigos de barra, elija a ojo o con el escáner del sistema el ajuste de contraste óptimo analizando las etiquetas impresas en esta autopruueba.
5. Observe el valor de contraste relativo y la velocidad de impresión que se imprimen en la mejor etiqueta de prueba.
6. Sume o reste el valor de contraste relativo al/del valor de contraste especificado en la etiqueta de configuración. El valor numérico que obtenga será el mejor valor de contraste para esa combinación específica de etiqueta/cinta y velocidad de impresión.
7. Si es necesario, cambie el valor de contraste por el que figura en la mejor etiqueta de prueba.
8. Si fuera necesario, cambie la velocidad de impresión por la misma velocidad de la mejor etiqueta de prueba.

## Prueba de diagnóstico de comunicaciones

La prueba de diagnóstico de comunicaciones es una herramienta de solución de problemas para verificar la interconexión entre la impresora y la computadora host. Cuando la impresora está en el modo diagnóstico, imprime todos los datos recibidos de la computadora host como caracteres ASCII directos con los valores hexadecimales debajo del texto ASCII. La impresora imprime todos los caracteres recibidos, incluidos los códigos de control, como CR (retorno de carro). La [Figura 20](#) muestra una etiqueta de prueba típica resultante de esta prueba.



**Nota** • Esta etiqueta de prueba se imprime al revés.

**Figura 20 • Etiqueta de muestra de prueba de diagnóstico de comunicaciones**



### Para utilizar el modo diagnóstico de comunicaciones, lleve a cabo los siguientes pasos:

1. Configure el ancho de impresión igual o menor que el ancho de la etiqueta en uso para la prueba. (Consulte [ANCHO IMPRS](#) en la [página 109](#)).
2. Configure la opción MODO DIAGNÓSTICO como ACTIVADO. (Consulte la sección [MODO DIAGNÓSTICO](#) en la [página 128](#) para obtener más información).

La impresora ingresa al modo diagnóstico e imprime cualquier dato recibido de la computadora host en una etiqueta de prueba

3. Verifique si hay errores en la etiqueta de prueba. Para cualquier error, verifique que sus parámetros de comunicación sean correctos.

Los errores se muestran en la etiqueta de prueba como se indica a continuación:

- FE indica un error de trama.
- OE indica un error de sobrecarga.
- PE indica un error de paridad.
- NE indica ruido.

4. Para salir de esta autoprueba y regresar al funcionamiento normal, apague y encienda la impresora o configure la opción MODO DIAGNÓSTICO como DESACTIVADO.

## Perfil de sensor

Utilice la imagen del perfil de sensor (que se extenderá por varias etiquetas o rótulos reales) para solucionar problemas en las siguientes situaciones:

- La impresora experimenta dificultad en determinar los espacios intermedios (bandas) entre etiquetas.
- La impresora identifica incorrectamente áreas preimpresas de una etiqueta como espacios intermedios (bandas).
- La impresora no puede detectar la cinta.

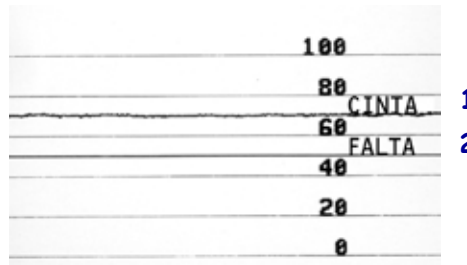
La impresora debe estar en estado Listo para imprimir un perfil de sensor con una de estas opciones:

Con los botones en el panel de control	<ol style="list-style-type: none"> <li>Apague (O) la impresora.</li> <li>Presione y mantenga presionados los botones FEED (AVANZAR) + CANCEL (CANCELAR) mientras enciende (I) la impresora.</li> <li>Mantenga presionadas FEED + CANCEL hasta que se apague la primera luz del panel de control.</li> </ol>
Con ZPL	<ol style="list-style-type: none"> <li>Envíe el comando ~JG a la impresora. Consulte <i>Zebra Programming Guide</i> (Guía de programación de Zebra) para obtener más información sobre este comando.</li> </ol>
Uso de la pantalla del panel de control	<ol style="list-style-type: none"> <li>Navegue hasta la siguiente opción del menú SENSORS (SENSORES). <div data-bbox="852 1096 1295 1438" data-label="Image"> </div> </li> <li>Presione el BOTÓN DE SELECCIÓN DERECHO para seleccionar PRINT (IMPRIMIR).</li> </ol>

Compare sus resultados con los ejemplos que se muestran en esta sección. Si se debe ajustar la sensibilidad de los sensores, calibre la impresora (consulte [Calibrar los sensores de cinta y de papel en la página 193](#)).

**Perfil de sensor de cinta (Figura 21)** La línea con etiqueta RIBBON (CINTA) (1) en el perfil de sensor indica las lecturas del sensor de cinta. La configuración del umbral del sensor de cinta está indicada por la palabra OUT (FALTA) (2). Si las lecturas de cinta están por debajo del valor del umbral, la impresora no reconoce que la cinta está cargada.

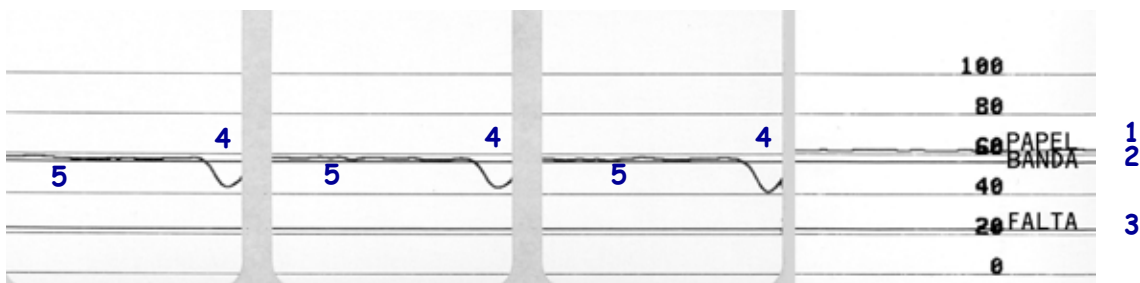
**Figura 21 • Perfil de sensor (Sección cinta)**



**Perfil de sensor de papel (Figura 22)** La línea con etiqueta MEDIA (PAPEL) (1) en el perfil de sensor indica las lecturas del sensor de papel. La configuración del umbral del sensor de papel está indicada por la palabra WEB (BANDA) (2). El umbral de falta de papel está indicado por la palabra OUT (FALTA) (3). Los picos hacia abajo (4) indican espacios intermedios entre las etiquetas (la banda) y las líneas entre los picos (5) indican dónde se ubican las etiquetas.




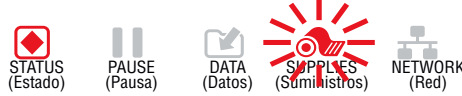






Si compara la copia impresa del perfil de sensor con una longitud de su papel, los picos deben estar separados a la misma distancia que los espacios intermedios del papel. Si las distancias no son iguales, la impresora puede estar teniendo dificultad para determinar dónde están ubicados los espacios intermedios.

**Figura 22 • Perfil de sensor (sección papel)**

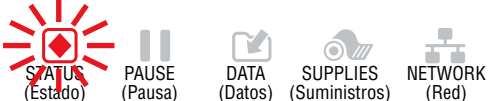


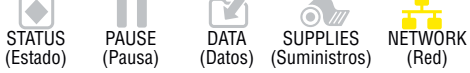
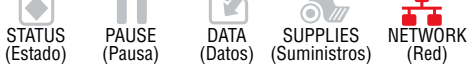
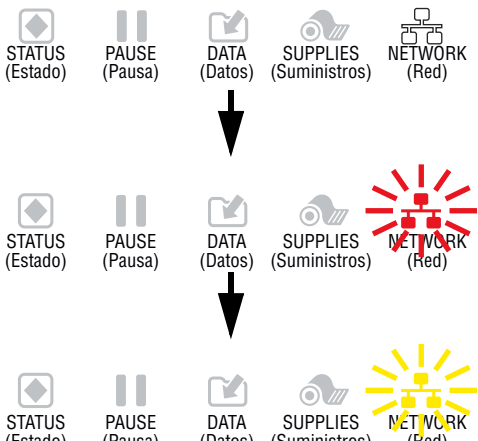





## Luces indicadoras

Tabla 6 • Estado de la impresora según lo muestran las luces indicadoras

	<p><i>Luz de STATUS (ESTADO) en verde fijo (las otras luces en amarillo fijo por 2 segundos durante la desconexión y conexión de la impresora)</i></p> <p>La impresora está lista.</p>
	<p><i>Luz de PAUSE (PAUSA) en amarillo fijo</i></p> <p>La impresora está en pausa.</p>
	<p><i>Luz de STATUS (ESTADO) en rojo fijo</i> <i>Luz de SUPPLIES (SUMINISTROS) en rojo fijo</i></p> <p>Falta papel. La impresora necesita atención y no puede continuar sin la intervención del usuario.</p>
	<p><i>Luz de STATUS (ESTADO) en rojo fijo</i> <i>Luz de SUPPLIES (SUMINISTROS) en rojo intermitente</i></p> <p>Falta cinta. La impresora necesita atención y no puede continuar sin la intervención del usuario.</p>
	<p><i>Luz de STATUS (ESTADO) en amarillo fijo</i> <i>Luz de SUPPLIES (SUMINISTROS) en amarillo intermitente</i></p> <p>La impresora está en Modo de impresión térmica directa, que no requiere cinta; sin embargo, la cinta está instalada en la impresora.</p>
	<p><i>Luz de STATUS (ESTADO) en rojo fijo</i> <i>Luz de PAUSE (PAUSA) en amarillo fijo</i></p> <p>El cabezal de impresión está abierto. La impresora necesita atención y no puede continuar sin la intervención del usuario.</p>
	<p><i>Luz de STATUS (ESTADO) en amarillo fijo</i></p> <p>El cabezal de impresión está muy caliente.</p> <p> <b>Precaución</b> • El cabezal de impresión podría estar caliente y causar quemaduras graves. Deje enfriar el cabezal de impresión.</p>
	<p><i>Luz de STATUS (ESTADO) en amarillo intermitente</i></p> <p>Esta luz indicadora intermitente señala una de las siguientes causas:</p> <ul style="list-style-type: none"> <li>• El cabezal de impresión está demasiado frío.</li> <li>• La fuente de alimentación eléctrica está muy caliente.</li> <li>• La placa lógica principal (MLB) está muy caliente.</li> </ul>
	<p><i>Luz de STATUS (ESTADO) en rojo fijo</i> <i>Luz de PAUSE (PAUSA) en rojo fijo</i> <i>Luz de DATA (DATOS) en rojo fijo</i></p> <p>El cabezal de impresión se reemplazó por uno que no es un cabezal de impresión genuino de Zebra™. Instale un cabezal de impresión genuino de Zebra™.</p>

**Tabla 6 • Estado de la impresora según lo muestran las luces indicadoras (Continuación)**

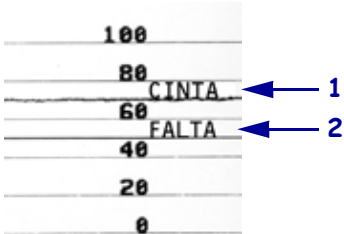
	<p><i>Luz de STATUS (ESTADO) en rojo intermitente</i> La impresora no puede leer la configuración de dpi del cabezal de impresión.</p>
<p><b>Impresoras con la opción ZebraNet de Ethernet cableada</b></p>	
	<p><i>Luz de NETWORK (RED) apagada</i> No hay ningún vínculo de Ethernet disponible.</p>
	<p><i>Luz de NETWORK (RED) en verde fijo</i> Se encontró un vínculo 100 Base.</p>
	<p><i>Luz de NETWORK (RED) en amarillo fijo</i> Se encontró un vínculo 10 Base.</p>
	<p><i>Luz de NETWORK (RED) en rojo fijo</i> Existe una condición de error de Ethernet. La impresora no está conectada a su red.</p>
<p><b>Impresoras con la opción ZebraNet inalámbrica</b></p>	
	<p><i>Luz de NETWORK (RED) apagada</i> Se encontró una radio durante la desconexión y conexión de la impresora. La impresora está intentando asociarse a una red. La luz está en rojo intermitente mientras la impresora se asocia con la red. Después la luz está en amarillo intermitente mientras la impresora está autenticando la red.</p>
	<p><i>Luz de NETWORK (RED) en verde fijo</i> La radio está asociada a su red y está autenticada, y la señal WLAN es fuerte.</p>
	<p><i>Luz de NETWORK (RED) en verde intermitente</i> WLAN: la radio está asociada a su red y está autenticada, pero la señal WLAN es débil.</p>
	<p><i>Luz de NETWORK (RED) en rojo fijo</i> Existe una condición de error de WLAN o de Ethernet. La impresora no está conectada a su red.</p>

## Solución de problemas



### Mensajes de alerta y de error

Pantalla Luzes indicadoras	Causas posibles	Recomendaciones Soluciones
<div style="border: 1px solid black; padding: 5px; text-align: center;"> <b>HEAD OPEN (CABEZAL ABIERTO) CLOSE HEAD (CERRAR CABEZAL)</b> </div> <p>Luz de STATUS (ESTADO) en rojo fijo Luz de PAUSE (PAUSA) en amarillo fijo</p>	El cabezal de impresión no está completamente cerrado.	Cerrar completamente el cabezal de impresión.
	El sensor de cabezal de impresión abierto no funciona correctamente.	Llamar a un técnico de servicio para reemplazar el sensor.
<div style="border: 1px solid black; padding: 5px; text-align: center;"> <b>MEDIA OUT (SIN PAPEL) LOAD MEDIA (CARGAR PAPEL)</b> </div> <p>Luz de STATUS (ESTADO) en rojo fijo Luz de SUPPLIES (SUMINISTROS) en rojo fijo</p>	El papel no está cargado o está cargado incorrectamente.	Cargar el papel correctamente. Consultar <a href="#">Cargar el papel en la página 32</a> .
	El sensor de papel no está correctamente alineado.	Revisar la ubicación del sensor del papel.
	La impresora está configurada para funcionar con papel no continuo, pero se ha cargado papel continuo.	<ol style="list-style-type: none"> <li>1. Instalar el tipo adecuado de papel o restablecer la impresora para el tipo de papel actual.</li> <li>2. Calibrar la impresora. Consultar <a href="#">Calibrar los sensores de cinta y de papel en la página 193</a>.</li> </ol>
<div style="border: 1px solid black; padding: 5px; text-align: center;"> <b>ADVERTENCIA RIBBON IN (CINTA INSTALADA)</b> </div> <p>Luz de STATUS (ESTADO) en amarillo fijo Luz de SUPPLIES (SUMINISTROS) en amarillo intermitente</p>	La cinta está cargada, pero la impresora está configurada para el modo térmico directo.	No se requiere cinta con el papel de impresión térmica directa. Si se está utilizando papel para impresión térmica directa, extraer la cinta. Este mensaje de error no afectará a la impresión.
		Si se está utilizando papel para transferencia térmica, el cual requiere cinta, configurar la impresora para el modo transferencia térmica. Consultar <a href="#">MÉTODO IMPRES. en la página 107</a> .



Pantalla Luces indicadoras	Causas posibles	Recomendaciones Soluciones
<div style="border: 1px solid black; padding: 5px; text-align: center;"> <b>PH NOT AUTHENTICATED                      (CABEZAL DE IMPRESIÓN NO                      AUTENTICADO)                      REPLACE PRINTHEAD                      (REEMPLAZAR CABEZAL DE                      IMPRESIÓN)</b> </div> <p>Luz de STATUS (ESTADO) en rojo fijo                      Luz de PAUSE (PAUSA) en rojo fijo                      Luz de DATA (DATOS) en rojo fijo</p>	<p>El cabezal de impresión se reemplazó por uno que no es un cabezal de impresión genuino de Zebra™.</p>	<p>Instalar un cabezal de impresión genuino de Zebra™.</p>
<div style="border: 1px solid black; padding: 5px; text-align: center;"> <b>ALERT (ALERTA)                      RIBBON OUT (SIN CINTA)</b> </div> <p>Luz de STATUS (ESTADO) en amarillo fijo                      Luz de SUPPLIES (SUMINISTROS) en amarillo intermitente</p>	<p>En el modo de transferencia térmica directa:</p> <ul style="list-style-type: none"> <li>• la cinta no está cargada</li> <li>• la cinta no está cargada correctamente</li> <li>• el sensor de cinta no detecta la cinta</li> <li>• el papel está bloqueando el sensor de cinta</li> </ul>	<ol style="list-style-type: none"> <li>1. Cargar la cinta correctamente. Consultar <a href="#">Cargar el papel en la página 32</a>.</li> <li>2. Calibrar la impresora. Consultar <a href="#">Calibrar los sensores de cinta y de papel en la página 193</a>.</li> </ol>
	<p>En el modo de transferencia térmica, la impresora no detectó la cinta aunque está cargada correctamente.</p>	<ol style="list-style-type: none"> <li>1. Imprimir un perfil de sensor (consultar la sección <a href="#">INFO IMPRES</a> en la página 119). Es probable que el umbral de falta de cinta (2) esté demasiado alto, por encima de la línea que indica dónde se detectó la cinta (1).</li> </ol>  <ol style="list-style-type: none"> <li>2. Calibrar la impresora (consultar la sección <a href="#">Calibrar los sensores de cinta y de papel en la página 193</a>) o cargar los valores predeterminados de la impresora (consultar la sección <a href="#">CARGAR ORIG.</a> en la página 125).</li> </ol>

Pantalla Luces indicadoras	Causas posibles	Recomendaciones Soluciones
	Si está utilizando papel para impresión térmica directa, la impresora está esperando que se cargue la cinta porque está configurada incorrectamente para el modo transferencia térmica.	Configurar la impresora para el modo térmico directo. Consultar <i>MÉTODO IMPRES.</i> en la página 107.
<div data-bbox="237 604 620 751" style="border: 1px solid black; padding: 5px; text-align: center;">                     PRINT HEAD OVERTEMP                      (CABEZAL DE IMPRESIÓN MUY CALIENTE)                      PRINTING HALTED                      (IMPRESIÓN DETENIDA)                 </div> <p data-bbox="199 804 521 863">Luz de STATUS (ESTADO) en amarillo fijo</p>	<div data-bbox="678 611 748 678" style="text-align: center;"> </div> <p data-bbox="769 604 1409 701"><b>Precaución</b> • El cabezal de impresión puede estar lo suficientemente caliente como para causar quemaduras graves. Deje enfriar el cabezal de impresión.</p> <p data-bbox="675 741 997 800">El cabezal de impresión está muy caliente.</p>	<p data-bbox="1049 741 1412 968">Dejar que la impresora se enfríe. La impresión se reanudará automáticamente cuando los elementos del cabezal de impresión alcancen una temperatura de funcionamiento aceptable.</p> <p data-bbox="1049 982 1403 1142">Si este error persiste, evaluar la posibilidad de cambiar la ubicación de la impresora o utilizar una velocidad de impresión más lenta.</p>
<div data-bbox="237 1184 620 1281" style="border: 1px solid black; padding: 5px; text-align: center;">                     HEAD COLD (CABEZAL FRÍO)                      PRINTING HALTED                      (IMPRESIÓN DETENIDA)                 </div> <div data-bbox="237 1339 620 1461" style="border: 1px solid black; padding: 5px; text-align: center; margin-top: 10px;">                     THERMISTOR (TERMISTOR)                      REPLACE PRINTHEAD                      (REEMPLAZAR CABEZAL DE IMPRESIÓN)                 </div> <p data-bbox="199 1507 613 1644">Luz de STATUS (ESTADO) en amarillo fijo La impresora muestra uno de estos mensajes o realiza un ciclo con ellos.</p>	<div data-bbox="678 1190 748 1257" style="text-align: center;"> </div> <p data-bbox="769 1184 1409 1379"><b>Precaución</b> • Estos mensajes de error pueden haber sido causados por un cable de alimentación eléctrica o de datos del cabezal de impresión conectados incorrectamente. El cabezal de impresión puede estar lo suficientemente caliente como para causar quemaduras graves. Deje enfriar el cabezal de impresión.</p> <p data-bbox="675 1419 1019 1516">El cable de datos del cabezal de impresión no está conectado correctamente.</p> <p data-bbox="675 1541 1003 1600">El cabezal de impresión tiene un termistor defectuoso.</p>	<p data-bbox="1049 1419 1406 1516">Llamar a un técnico de servicio para conectar adecuadamente el cabezal de impresión.</p> <p data-bbox="1049 1541 1403 1638">Llamar a un técnico de servicio para reemplazar el cabezal de impresión.</p>

Pantalla Luces indicadoras	Causas posibles	Recomendaciones Soluciones						
<div style="border: 1px solid black; padding: 5px; text-align: center;"> <b>HEAD COLD (CABEZAL FRÍO) PRINTING HALTED (IMPRESIÓN DETENIDA)</b> </div> <p>Luz de STATUS (ESTADO) en amarillo intermitente</p>	<div style="display: flex; align-items: center;">  <div style="margin-left: 10px;"> <p><b>Precaución</b> • Este mensaje de error puede haber sido causado por un cable de alimentación eléctrica o de datos del cabezal de impresión conectado incorrectamente. El cabezal de impresión puede estar lo suficientemente caliente como para causar quemaduras graves. Deje enfriar el cabezal de impresión.</p> </div> </div>	<table border="1" style="width: 100%; border-collapse: collapse;"> <tr> <td data-bbox="667 573 1037 894">                     La temperatura del cabezal de impresión se está aproximando al límite inferior de funcionamiento.                 </td> <td data-bbox="1040 573 1433 894">                     Continuar imprimiendo hasta que el cabezal de impresión alcance la temperatura de funcionamiento correcta. Si el error persiste, es posible que la temperatura ambiente sea demasiado fría para realizar impresiones correctas. Llevar la impresora a un ambiente más cálido.                 </td> </tr> <tr> <td data-bbox="667 898 1037 1016">                     El cable de datos del cabezal de impresión no está conectado correctamente.                 </td> <td data-bbox="1040 898 1433 1016">                     Llamar a un técnico de servicio para conectar adecuadamente el cabezal de impresión.                 </td> </tr> <tr> <td data-bbox="667 1020 1037 1140">                     El cabezal de impresión tiene un termistor defectuoso.                 </td> <td data-bbox="1040 1020 1433 1140">                     Llamar a un técnico de servicio para reemplazar el cabezal de impresión.                 </td> </tr> </table>	La temperatura del cabezal de impresión se está aproximando al límite inferior de funcionamiento.	Continuar imprimiendo hasta que el cabezal de impresión alcance la temperatura de funcionamiento correcta. Si el error persiste, es posible que la temperatura ambiente sea demasiado fría para realizar impresiones correctas. Llevar la impresora a un ambiente más cálido.	El cable de datos del cabezal de impresión no está conectado correctamente.	Llamar a un técnico de servicio para conectar adecuadamente el cabezal de impresión.	El cabezal de impresión tiene un termistor defectuoso.	Llamar a un técnico de servicio para reemplazar el cabezal de impresión.
La temperatura del cabezal de impresión se está aproximando al límite inferior de funcionamiento.	Continuar imprimiendo hasta que el cabezal de impresión alcance la temperatura de funcionamiento correcta. Si el error persiste, es posible que la temperatura ambiente sea demasiado fría para realizar impresiones correctas. Llevar la impresora a un ambiente más cálido.							
El cable de datos del cabezal de impresión no está conectado correctamente.	Llamar a un técnico de servicio para conectar adecuadamente el cabezal de impresión.							
El cabezal de impresión tiene un termistor defectuoso.	Llamar a un técnico de servicio para reemplazar el cabezal de impresión.							
<div style="border: 1px solid black; padding: 5px; text-align: center;"> <b>CUT ERROR (ERROR EN CORTE)</b> </div> <p>Luz de STATUS (ESTADO) en rojo fijo Luz de PAUSE (PAUSA) en amarillo fijo</p>	<div style="display: flex; align-items: center;">  <div style="margin-left: 10px;"> <p><b>Precaución</b> • La cuchilla de corte está muy afilada. No la toque ni la frote con los dedos.</p> </div> </div>	<p>La cuchilla del cortador está en la trayectoria del papel.</p> <p>Desconectar la alimentación eléctrica de la impresora y desenchufar la impresora. Inspeccionar el módulo cortador para ver si hay residuos y limpiarlo según sea necesario siguiendo las instrucciones de limpieza en la sección <i>Limpiar el módulo del cortador en la página 220</i>.</p>						
<div style="border: 1px solid black; padding: 5px; text-align: center;"> <b>USE USB MEMORY DEVICE? (¿USAR DISPOSITIVO DE MEMORIA USB?)</b>                      YES (SÍ) <span style="float: right;">NO</span> </div>	<p>El puerto USB host está desactivado, y se conectó un dispositivo USB en el puerto.</p>	<p>Para utilizar el dispositivo USB, seleccione YES (Sí) o envíe el siguiente comando SGD a la impresora:</p> <pre>! U1 setvar "usb.host.lock_out" "on"</pre>						

Pantalla Luces indicadoras	Causas posibles	Recomendaciones Soluciones
<p>OUT OF MEMORY (FALTA DE MEMORIA) STORING GRAPHIC (ALMACENANDO GRÁFICO)</p>	<p>No existe memoria suficiente para realizar la función especificada en la segunda línea del mensaje de error.</p>	<p>Liberar algo de memoria de la impresora ajustando el formato de la etiqueta o los parámetros de la impresora. Una manera de liberar memoria es ajustar el ancho de impresión al ancho real de la etiqueta en lugar de dejar el ancho de impresión predeterminado. Consultar <a href="#">ANCHO IMPRS en la página 109</a>.</p>
<p>OUT OF MEMORY (FALTA DE MEMORIA) STORING FORMAT (ALMACENANDO FORMATO)</p>		
<p>OUT OF MEMORY (FALTA DE MEMORIA) STORING BITMAP (ALMACENANDO MAPA DE BITS)</p>		<p>Si el problema persiste, llamar a un técnico de servicio.</p>
<p>OUT OF MEMORY (FALTA DE MEMORIA) STORING FONT (ALMACENANDO FUENTE)</p>		

## Problemas de impresión

El código de barras no se escanea		
<i>Problema</i>	<i>Causa posible</i>	<i>Solución recomendada</i>
El código de barras impreso en una etiqueta no se escanea.	El código de barras no está dentro de las especificaciones porque la impresión es demasiado clara o demasiado oscura.	Realizar el <i>Prueba de contraste y velocidad óptimos en la página 239</i> . Ajustar el contraste o la velocidad de impresión según sea necesario.
	El espacio en blanco alrededor del código de barras no es suficiente.	Dejar por lo menos 3,2 mm (1/8 pulg.) entre el código de barras y las demás áreas impresas en la etiqueta y entre el código de barras y el borde de la etiqueta.
Impresión uniforme demasiado clara o demasiado oscura		
<i>Problema</i>	<i>Causa posible</i>	<i>Solución recomendada</i>
La impresión es demasiado clara o demasiado oscura en toda la etiqueta.	El papel o la cinta no están diseñados para altas velocidades.	Reemplazar los suministros por los que se recomiendan para el funcionamiento a altas velocidades. Para obtener más información, visitar <a href="http://www.zebra.com/supplies">http://www.zebra.com/supplies</a> .
	La impresora está configurada en un nivel de contraste incorrecto.	Para obtener una calidad de impresión óptima, ajustar el contraste en el valor más bajo posible para su aplicación. Es posible que se desee realizar la <i>Prueba de contraste y velocidad óptimos en la página 239</i> para determinar el ajuste de contraste ideal. Consultar la sección <i>CONTRASTE en la página 104</i> para saber cómo cambiar la configuración de contraste.
	Está utilizando una combinación incorrecta de papel y cinta para su aplicación.	<ol style="list-style-type: none"> <li>1. Cambiar a un tipo de papel o cinta diferente para tratar de encontrar una combinación compatible.</li> <li>2. Si es necesario, consultar a su revendedor o distribuidor de Zebra autorizado para obtener información y asesoramiento.</li> </ol>
	Presión incorrecta del cabezal de impresión.	Ajustar la presión del cabezal de impresión al mínimo necesario para obtener una buena calidad de impresión. Consultar <i>Ajustar la presión del cabezal de impresión y posición de la palanca acodada en la página 199</i> .
La impresión es demasiado clara o demasiado oscura en un lado de la etiqueta.	Presión irregular del cabezal de impresión.	Regular la presión del cabezal de impresión según corresponda para obtener una buena calidad de impresión. Consultar <i>Ajustar la presión del cabezal de impresión y posición de la palanca acodada en la página 199</i> .

<b>Mala calidad de impresión</b>		
<i>Problema</i>	<i>Causa posible</i>	<i>Solución recomendada</i>
Marcas de tinta corrida en las etiquetas	El papel o la cinta no están diseñados para altas velocidades.	Reemplazar los suministros por los que se recomiendan para el funcionamiento a altas velocidades. Para obtener más información, visitar <a href="http://www.zebra.com/supplies">http://www.zebra.com/supplies</a> .
Resultados deficientes al imprimir etiquetas gruesas	La línea de impresión no está en la posición óptima para el papel.	Consultar el <i>Manual de mantenimiento</i> para saber cómo ajustar la línea de impresión para papel grueso.
Temas generales relacionados con la calidad de la impresión	La impresora está configurada en una velocidad de impresión incorrecta.	Para obtener una calidad de impresión óptima, configurar la velocidad de impresión en el valor más bajo posible para su aplicación por medio del panel de control, del controlador o del software. Es posible que se desee realizar la <i>Prueba de contraste y velocidad óptimos en la página 239</i> para determinar la configuración óptima para su impresora.  Consultar la sección <i>VELOC IMPRESIÓN en la página 105</i> para obtener información sobre cómo cambiar la velocidad de impresión.
	Está utilizando una combinación incorrecta de etiquetas y cinta para su aplicación.	<ol style="list-style-type: none"> <li>1. Cambiar a un tipo de papel o cinta diferente para tratar de encontrar una combinación compatible.</li> <li>2. Si es necesario, consultar a su revendedor o distribuidor de Zebra autorizado para obtener información y asesoramiento.</li> </ol>
	La impresora está configurada en un nivel de contraste incorrecto.	Para obtener una calidad de impresión óptima, ajustar el contraste en el valor más bajo posible para su aplicación. Es posible que se desee realizar la <i>Prueba de contraste y velocidad óptimos en la página 239</i> para determinar el ajuste de contraste ideal.  Consultar la sección <i>CONTRASTE en la página 104</i> para saber cómo cambiar la configuración de contraste.
	El cabezal de impresión está sucio.	Limpia el cabezal de impresión y el rodillo portapapeles. Consultar <i>Limpia el cabezal de impresión y el rodillo portapapeles en la página 216</i> .
	Presión incorrecta o irregular del cabezal de impresión.	Ajustar la presión del cabezal de impresión al mínimo necesario para obtener una buena calidad de impresión. Consultar <i>Ajustar la presión del cabezal de impresión y posición de la palanca acodada en la página 199</i> .
	En el formato de etiqueta se escala una fuente que no es escalable.	Verificar problemas de fuente en el formato de etiqueta.

<b>Líneas grises angulares en las etiquetas en blanco</b>		
<i>Problema</i>	<i>Causa posible</i>	<i>Solución recomendada</i>
Líneas grises, finas y angulares en las etiquetas en blanco	Cinta arrugada.	Consultar en la sección <i>Problemas con la cinta en la página 255</i> las causas y las soluciones para cinta arrugada.
<b>Impresión faltante</b>		
<i>Problema</i>	<i>Causa posible</i>	<i>Solución recomendada</i>
Largas pistas sin impresión en varias etiquetas.	Elemento de impresión dañado.	Llamar a un técnico de servicio.
	Cinta arrugada.	Consultar en la sección <i>Problemas con la cinta en la página 255</i> las causas y las soluciones para cinta arrugada.
<b>Pérdida de registro de impresión</b>		
<i>Problema</i>	<i>Causa posible</i>	<i>Solución recomendada</i>
Pérdida de registro de impresión en etiquetas.  Desplazamiento vertical excesivo en el registro de la parte superior del formulario.	El rodillo portapapeles está sucio.	Limpia el cabezal de impresión y el rodillo portapapeles. Consultar <i>Limpia el cabezal de impresión y el rodillo portapapeles en la página 216</i> .
	Las guías del papel están posicionadas incorrectamente.	Asegurarse de que las guías del papel estén ubicadas correctamente. Consultar <i>Cargar el papel en la página 32</i> .
	El tipo de papel está configurado incorrectamente.	Configurar la impresora para el tipo de papel correcto (espacio intermedio/muesca, continuo o marca). Consultar <i>TIPO DE PAPEL en la página 106</i> .
	El papel está cargado de forma incorrecta.	Cargar el papel correctamente. Consultar <i>Cargar el papel en la página 32</i> .
Registro erróneo/pasa por alto etiquetas	La impresora no está calibrada.	Calibrar la impresora. Consultar <i>Calibrar los sensores de cinta y de papel en la página 193</i> .
	Formato de etiqueta incorrecto.	Verificar el formato de su etiqueta y corregirlo si es necesario.
Registro erróneo o falla de impresión de una a tres etiquetas	El rodillo portapapeles está sucio.	Limpia el cabezal de impresión y el rodillo portapapeles. Consultar <i>Limpia el cabezal de impresión y el rodillo portapapeles en la página 216</i> .
	El papel no cumple con las especificaciones.	Utilizar un papel que cumpla con las especificaciones. Consultar <i>Especificaciones del papel en la página 288</i> .

Desplazamiento vertical en la parte superior del formulario	La impresora no está calibrada.	Calibrar la impresora. Consultar <i>Calibrar los sensores de cinta y de papel en la página 193</i> .
	El rodillo portapapeles está sucio.	Limpiar el cabezal de impresión y el rodillo portapapeles. Consultar <i>Limpiar el cabezal de impresión y el rodillo portapapeles en la página 216</i> .
Desplazamiento vertical de la imagen o la etiqueta	La impresora está utilizando etiquetas no continuas, pero está configurada en modo continuo.	Configurar la impresora para el tipo correcto de papel (espacio intermedio/muesca, continuo o marca; consultar <i>TIPO DE PAPEL en la página 106</i> ) y calibrar la impresora si es necesario (consultar <i>Calibrar los sensores de cinta y de papel en la página 193</i> ).
	El sensor de papel está calibrado incorrectamente.	Calibrar la impresora. Consultar <i>Calibrar los sensores de cinta y de papel en la página 193</i> .
	El rodillo portapapeles está sucio.	Limpiar el cabezal de impresión y el rodillo portapapeles. Consultar <i>Limpiar el cabezal de impresión y el rodillo portapapeles en la página 216</i> .
	Ajuste incorrecto de la presión del cabezal de impresión (palancas acodadas).	Ajustar la presión del cabezal de impresión para garantizar una correcta funcionalidad. Consultar <i>Ajustar la presión del cabezal de impresión y posición de la palanca acodada en la página 199</i> .
	El papel o la cinta están cargados incorrectamente.	Asegurarse de que el papel y la cinta estén cargados correctamente. Consultar <i>Cargar la cinta en la página 58</i> y <i>Cargar el papel en la página 32</i> .
	Papel no compatible.	Debe utilizar un papel que cumpla con las especificaciones de la impresora. Asegurarse de que las muescas o los espacios intermedios entre etiquetas sean de 2 mm a 4 mm y que estén ubicados consistentemente (consultar <i>Especificaciones del papel en la página 288</i> ).



## Problemas con la cinta

Para ver videos sobre los procedimientos comunes, visite <http://www.zebra.com/zt600-info>.



Cinta rota		
<i>Problema</i>	<i>Causa posible</i>	<i>Solución recomendada</i>
Cinta rota o fundida	Ajuste de contraste demasiado alto.	<ol style="list-style-type: none"> <li>1. Reducir el ajuste de contraste. Consultar la sección <i>CONTRASTE</i> en la página 104 para saber cómo cambiar la configuración de contraste.</li> <li>2. Limpiar completamente el cabezal de impresión. Consultar <i>Limpiar el cabezal de impresión y el rodillo portapapeles</i> en la página 216.</li> </ol>
	La cinta está revestida en el lado incorrecto y no se puede utilizar con esta impresora.	Reemplazar la cinta por una revestida en el lado correcto. Para obtener más información, consultar <i>Lado revestido de la cinta</i> en la página 24.

<b>Cinta arrugada</b>		
<i>Problema</i>	<i>Causa posible</i>	<i>Solución recomendada</i>
Cinta arrugada	La cinta se cargó de forma incorrecta.	Cargar la cinta correctamente. Consultar <a href="#">Cargar la cinta en la página 58</a> .
	Temperatura de quemado incorrecta.	Para obtener una calidad de impresión óptima, ajustar el contraste en el valor más bajo posible para su aplicación. Es posible que se desee realizar la <a href="#">Prueba de contraste y velocidad óptimos en la página 239</a> para determinar el ajuste de contraste ideal.  Consultar la sección <a href="#">CONTRASTE en la página 104</a> para saber cómo cambiar la configuración de contraste.
	Presión incorrecta o irregular del cabezal de impresión.	Ajustar la presión del cabezal de impresión al mínimo necesario para obtener una buena calidad de impresión. Consultar <a href="#">Ajustar la presión del cabezal de impresión y posición de la palanca acodada en la página 199</a> .
	El papel no se carga correctamente; pasa “caminando” de un lado a otro.	Asegurarse de que el papel esté ceñido; para eso ajustar la guía del papel, o llamar a un técnico de servicio.
	Es posible que el cabezal de impresión o el rodillo portapapeles no estén instalados correctamente.	Llamar a un técnico de servicio.
<b>Problemas de detección de cinta</b>		
<i>Problema</i>	<i>Causa posible</i>	<i>Solución recomendada</i>
La impresora no detecta que se ha acabado la cinta.	Es posible que la impresora se haya calibrado sin cinta o sin haber cargado correctamente la cinta.	<ol style="list-style-type: none"> <li>1. Asegurarse de que la cinta esté cargada correctamente para que el sensor de cinta pueda detectarla. Debajo del cabezal de impresión, la cinta debe seguir todo el recorrido hacia atrás, cerca de la barrera de la impresora. Consultar <a href="#">Cargar la cinta en la página 58</a>.</li> <li>2. Calibrar la impresora. Consultar <a href="#">Calibrar los sensores de cinta y de papel en la página 193</a>.</li> </ol>
En el modo transferencia térmica, la impresora no detectó la cinta aunque estaba cargada correctamente.		
La impresora indica que falta cinta, aun cuando la cinta está cargada correctamente.	La impresora no fue calibrada para funcionar con la etiqueta y la cinta que se están utilizando.	Calibrar la impresora. Consultar <a href="#">Calibrar los sensores de cinta y de papel en la página 193</a> .

## Problemas con la RFID

Para obtener más información acerca de RFID, consulte *RFID Programming Guide 3* (Guía de programación de RFID 3). Una copia de este manual está disponible en <http://www.zebra.com/manuals>.

La impresora se detiene en la incrustación de RFID		
Problema	Causa posible	Solución recomendada
La impresora se detiene en la incrustación de RFID.	La impresora calibró la longitud de la etiqueta solo hasta la incrustación de RFID en lugar de hacerlo hasta el espacio intermedio entre etiquetas.	<ol style="list-style-type: none"> <li>1. Seleccionar FEED (AVANZAR) para los parámetros de encendido de la impresora y de cierre del cabezal (consultar <i>ENCENDIDO en la página 123</i> o <i>ACC CIERRE CAB en la página 124</i>).</li> <li>2. Calibrar manualmente la impresora (consultar la sección <i>Calibrar los sensores de cinta y de papel en la página 193</i>).</li> </ol>
Etiquetas vacías		
Problema	Causa posible	Solución recomendada
Bajo rendimiento. Se dejan vacíos demasiados rótulos RFID por rollo.	Las etiquetas RFID no están dentro de las especificaciones para la impresora, lo que significa que el transpondedor no está en un área que se puede programar consistentemente.	Asegurarse de que las etiquetas cumplen con las especificaciones de colocación del transpondedor para su impresora. Consultar <a href="http://www.zebra.com/transponders">http://www.zebra.com/transponders</a> para obtener información sobre la colocación del transpondedor.  Para obtener más información, consultar <i>RFID Programming Guide 3</i> (Guía de programación de RFID 3) o comunicarse con un revendedor de RFID autorizado por Zebra.
	Niveles de potencia de lectura y escritura incorrectos.	Cambiar los niveles de potencia de lectura y escritura de RFID. Para obtener instrucciones, consultar <i>RFID Programming Guide 3</i> (Guía de programación de RFID 3).
	Interferencia de radiofrecuencia (RF) desde otra fuente de RF.	Realizar una o más de las siguientes acciones, según sea necesario: <ul style="list-style-type: none"> <li>• Alejar la impresora de los lectores de RFID fijos.</li> <li>• Asegurarse de que la puerta del compartimiento del papel esté siempre cerrada durante la programación de RFID.</li> </ul>
	La impresora está utilizando versiones desactualizadas del firmware de la impresora y del firmware del lector.	Ir a <a href="http://www.zebra.com/support">http://www.zebra.com/support</a> para obtener firmware actualizado.


Etiquetas vacías (continuación)		
Problema	Causa posible	Solución recomendada
La impresora deja vacías todas las etiquetas.	La impresora no está calibrada para funcionar con el papel que se está utilizando.	Calibrar manualmente la impresora (consultar la sección <i>Calibrar los sensores de cinta y de papel en la página 193</i> ).
	Está utilizando una etiqueta RFID cuyo tipo de rótulo no es compatible con la impresora.	Estas impresoras solo admiten etiquetas RFID Gen 2. Para obtener más información, consultar <i>RFID Programming Guide 3</i> (Guía de programación de RFID 3) o comunicarse con un revendedor de RFID autorizado por Zebra.
	La impresora no se puede comunicar con el lector de RFID.	<ol style="list-style-type: none"> <li>1. Apagar (O) la impresora.</li> <li>2. Esperar 10 segundos.</li> <li>3. Encender (I) la impresora.</li> <li>4. Si el problema persiste, probablemente haya un lector de RFID deficiente o una conexión floja entre el lector de RFID y la impresora. Comunicarse con Asistencia técnica o un técnico de servicio en RFID autorizado de Zebra para obtener asistencia.</li> </ol>
	Interferencia de radiofrecuencia (RF) desde otra fuente de RF.	<p>Realizar una o más de las siguientes acciones, según sea necesario:</p> <ul style="list-style-type: none"> <li>• Alejar la impresora de lectores de RFID fijos o de otras fuentes de RF.</li> <li>• Asegurarse de que la puerta del compartimiento del papel esté siempre cerrada durante la programación de RFID.</li> </ul>
	La configuración es incorrecta en su software de diseño de etiquetas.	La configuración del software sustituye la configuración de la impresora. Asegurarse de que la configuración del software y de la impresora coincidan.
	Está utilizando una posición de programación incorrecta, particularmente si los rótulos en uso están dentro de las especificaciones de la impresora.	<p>Realizar una o más de las siguientes acciones, según sea necesario:</p> <ul style="list-style-type: none"> <li>• Verificar la posición de programación de RFID o la configuración de la posición del programa en el software de diseño de etiquetas. Si la posición es incorrecta, cambiar la configuración.</li> <li>• Restablecer la posición de programación de RFID al valor predeterminado.</li> </ul> <p>Para obtener más información, consultar la <i>RFID Programming Guide 3</i> (Guía de programación de RFID 3). Para obtener más detalles sobre la colocación del transpondedor, visitar <a href="http://www.zebra.com/transponders">http://www.zebra.com/transponders</a>.</p>
Está enviando comandos de ZPL o SGD de RFID que son incorrectos.	Verificar los formatos de etiquetas. Para obtener más información, consultar la <i>RFID Programming Guide 3</i> (Guía de programación de RFID 3).	

Otros problemas con la RFID		
<i>Problema</i>	<i>Causa posible</i>	<i>Solución recomendada</i>
Los parámetros de RFID no aparecen en el modo Configuración y la información de RFID no aparece en la etiqueta de configuración de la impresora.	La impresora se apagó (O) y se volvió a encender (I) demasiado rápido como para que el lector de RFID se inicializara correctamente.	Después de apagar la impresora, esperar unos 10 segundos como mínimo antes de volver a encenderla. <ol style="list-style-type: none"> <li>1. Apagar (O) la impresora.</li> <li>2. Esperar 10 segundos.</li> <li>3. Encender (I) la impresora.</li> <li>4. Verificar si hay parámetros RFID en el modo Configuración o si hay información de RFID en una nueva etiqueta de configuración.</li> </ol>
La impresora no deja vacías las etiquetas RFID que no están programadas correctamente.	Se cargó en la impresora una versión incorrecta del firmware de la impresora o del lector.	<ol style="list-style-type: none"> <li>1. Verificar que la versión correcta del firmware está cargada en su impresora. Para obtener más información, consultar la <i>RFID Programming Guide 3</i> (Guía de programación de RFID 3).</li> <li>2. Descargar el firmware correcto de la impresora o del lector si es necesario.</li> <li>3. Si el problema persiste, comunicarse con Asistencia técnica.</li> </ol>
	La impresora no se puede comunicar con el subsistema de RFID.	<ol style="list-style-type: none"> <li>1. Apagar (O) la impresora.</li> <li>2. Esperar 10 segundos.</li> <li>3. Encender (I) la impresora.</li> <li>4. Si el problema persiste, probablemente haya un lector de RFID deficiente o una conexión floja entre el lector de RFID y la impresora. Comunicarse con Asistencia técnica o un técnico de servicio autorizado para obtener asistencia.</li> </ol>
La luz de DATA (DATOS) se pone intermitente indefinidamente cuando se intenta descargar firmware de la impresora o del lector.	La descarga no fue satisfactoria. Para obtener mejores resultados, apague y encienda la impresora antes de descargar cualquier firmware.	<ol style="list-style-type: none"> <li>1. Apagar (O) la impresora.</li> <li>2. Esperar 10 segundos.</li> <li>3. Encender (I) la impresora.</li> <li>4. Tratar de descargar el firmware nuevamente.</li> <li>5. Si el problema persiste, comunicarse con Asistencia técnica.</li> </ol>

## Problemas con las comunicaciones

No se reconocen los formatos de etiqueta		
<i>Problema</i>	<i>Causa posible</i>	<i>Solución recomendada</i>
<b>Se envió a la impresora un formato de etiqueta que no fue reconocido. La luz de DATOS está intermitente.</b>	Los parámetros de comunicación son incorrectos.	Revisar las configuraciones de comunicación del software o del controlador de la impresora (si corresponde) para su conexión. Si se desea reinstalar el controlador de la impresora, seguir las instrucciones de la sección <i>Instalar el controlador de la impresora y conectar la impresora a la computadora</i> en la página 62.
		Si se está utilizando comunicación serie, verificar la configuración del puerto serie. Consultar <i>PUERTOS</i> en la página 103.
		Si se está utilizando comunicación serie, asegurarse de que está utilizando un cable módem nulo o un adaptador de módem nulo.
		Verificar la configuración del protocolo de enlace central de la impresora. La configuración que se utiliza debe coincidir con la que está utilizando la computadora host. Consultar <i>ENLACE CENTRAL</i> en la página 185.
<b>Se envió a la impresora un formato de etiqueta que no fue reconocido. La luz de DATOS está intermitente pero no se produce ninguna impresión.</b>	El prefijo y los caracteres delimitadores configurados en la impresora no coinciden con los del formato de la etiqueta.	Verificar el prefijo y los caracteres delimitadores. Consultar <i>CARÁCT COMNDO</i> en la página 173 y <i>DELIMITADOR</i> en la página 175.
	Se envían datos incorrectos a la impresora.	Revisar los parámetros de comunicación de la computadora. Asegurarse de que coincidan con los parámetros de la impresora.  Si el problema persiste, revisar el formato de la etiqueta.
Las etiquetas dejaron de imprimirse correctamente		
<i>Problema</i>	<i>Causa posible</i>	<i>Solución recomendada</i>
<b>Se envió un formato de etiqueta a la impresora. Se imprimen varias etiquetas, a continuación, la impresora saltea la imagen de la etiqueta, la imprime en el lugar equivocado, omite su impresión o la distorsiona.</b>	Los parámetros de comunicación serie son incorrectos.	Asegurarse de que los parámetros de control de flujo coincidan.
		Revisar la longitud del cable de comunicación. Consultar <i>Especificaciones generales</i> en la página 280 para obtener los requisitos.
		Revisar las configuraciones de comunicación del software o del controlador de la impresora (si corresponde).

## Problemas misceláneos de la impresora

Problemas con la pantalla		
<i>Problema</i>	<i>Causa posible</i>	<i>Solución recomendada</i>
No comprendo el idioma que aparece en la pantalla del panel de control.	El parámetro de idioma se cambió por medio de un comando de firmware o del panel de control.	<ol style="list-style-type: none"> <li>1. En la pantalla del panel de control, desplazarse hasta el menú LANGUAGE (IDIOMA). </li> <li>2. Presionar OK para acceder a las opciones de este menú.</li> <li>3. Utilizar la FLECHA HACIA ARRIBA o la FLECHA HACIA ABAJO para desplazarse por las selecciones de idioma debajo de la primera opción del menú. Las selecciones de este parámetro se muestran en los idiomas reales para que el usuario pueda encontrar una opción que le resulte fácil leer.</li> <li>4. Seleccionar el idioma que desea en pantalla.</li> </ol>
Faltan caracteres o partes de caracteres en la pantalla.	Es posible que haya que cambiar la pantalla.	Llamar a un técnico de servicio.
El puerto USB Host no reconoce el dispositivo USB		
<i>Problema</i>	<i>Causa posible</i>	<i>Solución recomendada</i>
La impresora no reconoce un dispositivo USB o no lee los archivos de un dispositivo USB que está conectado al puerto USB host.	La impresora solo admite unidades USB de hasta 1 TB.	Utilizar una unidad USB que sea de 1 TB o menos.
	Es posible que el dispositivo USB requiera su propia alimentación eléctrica externa.	Si el dispositivo USB requiere alimentación eléctrica externa, asegurarse de que esté conectado a una fuente que funcione.
Los parámetros de la impresora no están establecidos según lo esperado		
<i>Problema</i>	<i>Causa posible</i>	<i>Solución recomendada</i>
Los cambios efectuados en la configuración de los parámetros no tuvieron efecto. O Algunos parámetros cambiaron inesperadamente.	<p>Un comando o una configuración de firmware desactivaron la capacidad para cambiar el parámetro.</p> <p>Un comando de un formato de etiqueta cambió el parámetro a la configuración anterior.</p>	<p>Verificar los formatos de etiquetas o la configuración del software que se utiliza para enviar los formatos a la impresora.</p> <p>De ser necesario, consultar <i>Programming Guide for ZPL, ZBI, Set-Get-Do, Mirror, and WML</i> (Guía de programación de ZPL, ZBI, Set-Get-Do, Mirror y WML) o llamar a un técnico de servicio.</p>

Resolución de direcciones IP		
<i>Problema</i>	<i>Causa posible</i>	<i>Solución recomendada</i>
Mi impresora reasigna una nueva dirección IP al servidor de impresión tras haber estado inactiva durante un tiempo.	La configuración de la red hace que esta reasigne una nueva dirección IP.	<p>Si los cambios de dirección IP de la impresora ocasionan problemas, seguir estos pasos para asignarle a la impresora una dirección IP estática:</p> <ol style="list-style-type: none"> <li>1. Averiguar qué valores se deben asignar a la dirección IP, la máscara de subred y la puerta de enlace del servidor de impresión (cableado, inalámbrico, o ambos).</li> <li>2. Cambiar el valor del protocolo IP apropiado a PERMANENT (PERMANENTE). Consultar la sección <i>PROTOCOLO IP CABL</i> en la página 147 o la sección <i>PROTOCOLO IP WLAN</i> en la página 152.</li> <li>3. Cambiar los valores de la dirección IP, la máscara de subred y la puerta de enlace correspondientes al servidor de impresión apropiado a los valores que se desea que permanezcan.</li> </ol> <p>Cableado:  <i>DIRECCIÓN IP CABL</i> en la página 144  <i>MÁSCRA SUBRED CABL</i> en la página 145  <i>PUERTA ENLACE CABLEADA</i> en la página 146</p> <p>Inalámbrico:  <i>DIRECCIÓN IP WLAN</i> en la página 149  <i>MÁSCR SUBRED WLAN</i> en la página 150  <i>PUERTA ENLACE WLAN</i> en la página 151</p> <ol style="list-style-type: none"> <li>4. Restablecer la red utilizando <i>REAJUSTAR TARJETA</i> en la página 159 para guardar los cambios.</li> </ol>



**Problemas de calibración**

<i>Problema</i>	<i>Causa posible</i>	<i>Solución recomendada</i>
Se produjo un error durante la calibración automática.	El papel o la cinta están cargados incorrectamente.	Asegurarse de que el papel y la cinta estén cargados correctamente. Consultar <i>Cargar la cinta en la página 58</i> y <i>Cargar el papel en la página 32</i> .
	Los sensores no pudieron detectar el papel o la cinta.	Calibrar la impresora manualmente. Consultar <i>Calibrar los sensores de cinta y de papel en la página 193</i> .
	Los sensores están sucios o posicionados incorrectamente.	Asegurarse de que los sensores estén limpios y posicionados correctamente.
	El tipo de papel está configurado incorrectamente.	Configurar la impresora para el tipo de papel correcto (espacio intermedio/muesca, continuo o marca). Consultar <i>TIPO DE PAPEL en la página 106</i> .
Las etiquetas no continuas reciben el tratamiento de etiquetas continuas.	La impresora no se calibró para funcionar con el papel que se está utilizando.	Calibrar la impresora. Consultar <i>Calibrar los sensores de cinta y de papel en la página 193</i> .
	La impresora está configurada para funcionar con papel continuo.	Configurar la impresora para el tipo de papel correcto (espacio intermedio/muesca, continuo o marca). Consultar <i>TIPO DE PAPEL en la página 106</i> .

**La impresora se bloquea**

<i>Problema</i>	<i>Causa posible</i>	<i>Solución recomendada</i>
Todas las luces indicadoras están encendidas, pero la pantalla LCD está en blanco y la impresora se bloquea.	Falla electrónica interna o de firmware.	Apagar y encender la impresora. Si el problema persiste, llamar a un técnico de servicio.
La impresora se bloquea durante el inicio.	Falla de la placa lógica principal.	



**Notas •** \_\_\_\_\_

---

---

---

---

---

---

---

---

---

---

---

# Uso de los puertos USB host y de las capacidades de NFC

Esta sección le permitirá aprender a utilizar los puertos USB host y la capacidad de Comunicación de campo cercano (NFC) de su impresora Zebra. La información se presenta en forma de ejercicios y se incluyen algunos comandos SGD para los usuarios avanzados.



**Nota** • No es necesario que realice estos ejercicios, que probablemente utilicen varios rótulos durante la impresión. Se incluye esta información para enseñarle cómo funcionan los puertos USB host y las capacidades de NFC.

## Contenido

Elementos necesarios para realizar los ejercicios . . . . .	266
Archivos para realizar los ejercicios . . . . .	266
USB Host . . . . .	269
Ejercicio 1: Copiar archivos a una unidad flash USB y crear un reflejo de USB . . . . .	270
Ejercicio 2: Imprimir un formato de etiqueta desde una unidad flash USB . . . . .	272
Ejercicio 3: Copiar archivos a/desde una unidad flash USB . . . . .	273
Ejercicio 4: Ingresar datos de un archivo almacenado con un teclado USB e imprimir una etiqueta . . . . .	275
Comunicación de campo cercano (NFC) . . . . .	276
Ejercicio 5: Ingresar datos de un archivo almacenado con un dispositivo inteligente e imprimir una etiqueta . . . . .	277

## Elementos necesarios para realizar los ejercicios

Para realizar los ejercicios de este documento, necesitará lo siguiente:

- Una unidad flash USB (también denominada “memoria en miniatura” o “tarjeta de memoria”) de hasta 1 terabyte (1 TB). La impresora no reconocerá unidades de más de 1 TB.
- Un teclado USB.
- Los distintos archivos que se adjuntan a continuación.
- La aplicación gratuita Zebra Utilities (Utilidades de Zebra) para su smart phone (busque Zebra Tech en la tienda de Google Play)

## Archivos para realizar los ejercicios

Aquí se adjunta la mayoría de los archivos necesarios para realizar los ejercicios de esta sección. Copie estos archivos en su computadora antes de comenzar los ejercicios. Cuando es posible, se muestra el contenido de los archivos. No se incluye el de los archivos que presentan contenido codificado, que no puede visualizarse como texto o como imagen.

### Archivo 1: ZEBRA.BMP



### Archivo 2: SAMPLELABEL.TXT

```
^XA  
^F0100,75^XGE:zebra.bmp^FS  
^F0100,475^A0N,50,50^FDMirror from USB  
Completed^FS  
^XZ
```

Este formato de etiqueta simple imprime el logotipo de Zebra y una línea de texto al final del ejercicio de creación de reflejo.

### Archivo 3: LOGO.ZPL

### Archivo 4: USBSTOREDFILE.ZPL

```
CT~CD,~CC^~CT~
^XA~TA012~JSN^LT0^LH0,0^JMA^PR4,4~SD15^LRN^CI0^XZ
~DG000.GRF,07680,024,,[image data]
^XA
^LS0
^SL0
^BY3,3,91^FT35,250^BCN,,Y,N^FC%,{,#{^FD%d/%m/%Y^FS
^FT608,325^XG000.GRF,1,1^FS
^FT26,75^A0N,28,28^FH\^FDThis label was printed from a
format stored^FS
^FT26,125^A0N,28,28^FH\^FDOn a USB Flash Memory drive. ^FS
^BY3,3,90^FT33,425^BCN,,Y,N
^FD>:Zebra Technologies^FS
^PQ1,0,1,Y^XZ
^XA^ID000.GRF^FS^XZ
```

Este formato de etiqueta imprime una imagen y texto. El archivo se almacenará en el dispositivo de memoria USB a nivel raíz, para que se pueda imprimir.

### Archivo 5: VLS\_BONKGRF.ZPL

### Archivo 6: VLS\_EIFFEL.ZPL

### Archivo 7: KEYBOARDINPUT.ZPL

```
^XA
^CI28
^BY2,3,91^FT38,184^BCN,,Y,N^FC%,{,#{^FD%d/%m/%Y^FS
^F0385,75^XGE:zebra.bmp^FS
^FT40,70^A0N,28,28^FH\^FDThis label was printed using a
keyboard input. ^FS
^FT35,260^A0N,28,28^FH\^FDThis label was printed by:^FS
^FT33,319^A0N,28,28^FN1"Enter Name"^FS
^XZ
```

Este formato de etiqueta, que se utiliza para el ejercicio de entrada por teclado USB:

- crea un código de barras con la fecha actual, basado en la configuración del reloj de tiempo real (RTC);
- imprime el gráfico del logotipo de Zebra;
- imprime el texto fijo;
- le solicita que ingrese su nombre (a través del comando **^FN**) y se imprimen los datos que usted ha ingresado.

### Archivo 8: SMARTDEVINPUT.ZPL

```
^XA  
^CI28  
^BY2,3,91^FT38,184^BCN,,Y,N^FC%,{,#{^FD%d/%m/%Y^FS  
^F0385,75^XGE:zebra.bmp^FS  
^FT40,70^A0N,28,28^FH\^FDThis label was printed using a  
smart device input. ^FS  
^FT35,260^A0N,28,28^FH\^FDThis label was printed by:^FS  
^FT33,319^A0N,28,28^FN1"Enter Name"^FS^XZ
```

El mismo formato de etiqueta que el anterior, aunque el texto que se imprime es diferente. Este formato se utiliza para el ejercicio de entrada por dispositivo inteligente (smart).

### Archivo 9: archivo de firmware

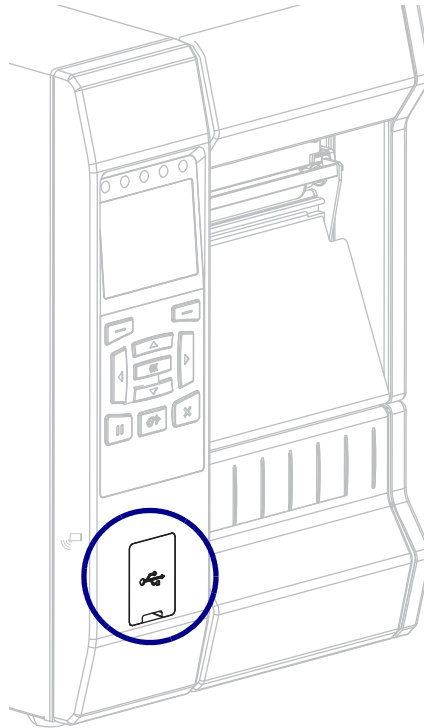
Puede descargar un archivo de firmware para su impresora y copiarlo en su computadora para utilizarlo durante los ejercicios. También puede omitir este paso, si lo desea.

El archivo de firmware más reciente se puede descargar de <http://www.zebra.com/firmware>.

## USB Host

Los puertos USB host permiten conectar dispositivos USB (como un teclado, escáner o unidad flash USB) a la impresora. Los ejercicios de esta sección le enseñarán a crear un reflejo de USB, transferir archivos a y desde la impresora, y proporcionar la información que se le solicite e imprimir una etiqueta con esa información.

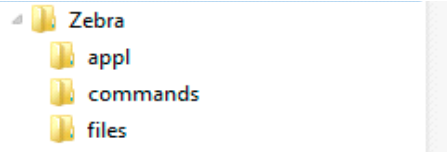
**Figura 23 • Ubicación del puerto USB host**



**Importante** • Cuando utilice los puertos USB host, tenga en cuenta que los nombres de los archivos solo deberían contener entre 1 y 16 caracteres alfanuméricos (A, a, B, b, C, c, ..., 0, 1, 2, 3, ...). No utilice caracteres asiáticos o cirílicos ni acentos en los nombres de los archivos. Si el nombre de un archivo contiene caracteres de subrayado, podría alterarse el comportamiento de algunas funciones. Utilice puntos en lugar de estos caracteres.

## Ejercicio 1: Copiar archivos a una unidad flash USB y crear un reflejo de USB

1. En la unidad flash USB, deberá crear lo siguiente:



- una carpeta denominada **Zebra**
- tres subcarpetas dentro de esa primera carpeta:
  - **appl**
  - **comandos**
  - **files**

2. En la carpeta **/appl**, coloque una copia del firmware más reciente de su impresora.



**Nota** • Si el nombre de un archivo contiene caracteres de subrayado, podría alterarse el comportamiento de algunas funciones. Utilice puntos en lugar de estos caracteres.

3. En la carpeta **/archivos**, coloque el siguiente archivo:

- **Archivo 1: ZEBRA.BMP**

4. En la carpeta **/comandos**, coloque los siguientes archivos:

- **Archivo 2: SAMPLELABEL.TXT**
- **Archivo 3: LOGO.ZPL**

5. Inserte la unidad flash USB en el puerto USB host que se encuentra en la parte delantera de la impresora.

6. Observe el panel de control y espere.

Debería suceder lo siguiente:

- Si el firmware de la unidad flash USB es diferente del que está en la impresora, se descargará el firmware a la impresora. Luego, la impresora se reiniciará e imprimirá una etiqueta de configuración. (Si no hay firmware en la unidad flash USB o la versión de firmware es la misma, la impresora pasará por alto esta acción).
- La impresora descargará los archivos en la carpeta **/archivos** y mostrará brevemente en pantalla los nombres de los archivos que se están descargando.
- La impresora ejecutará los archivos de la carpeta **/comandos**.
- La impresora se reiniciará y luego mostrará el mensaje **MIRROR PROCESSING FINISHED** (procesamiento de creación de reflejo terminado).

7. Quite la unidad flash USB de la impresora.



## Ejercicio 1: Información para usuarios avanzados

Consulte *Zebra® Programming Guide* (Guía de programación de Zebra) para obtener más información sobre estos comandos.

### Activar/desactivar la creación de reflejo:

```
! U1 setvar "usb.mirror.enable" "value"
```

Valores: "on" u "off"

### Activar/desactivar la creación automática de reflejo cuando se inserta la unidad flash USB en el puerto USB host:

```
! U1 setvar "usb.mirror.auto" "value"
```

Valores: "on" u "off"

### Especificar la cantidad de veces que se repetirá la operación de reflejo en caso de que falle:

```
! U1 setvar "usb.mirror.error_retry" "value"
```

Valores: 0 a 65535

### Cambiar la ruta a la ubicación del dispositivo USB desde donde se recuperan los archivos de reflejo:

```
! U1 setvar "usb.mirror.appl_path" "new_path"
```

Valor predeterminado: "zebra/appl"

### Cambiar la ruta a la ubicación de la impresora desde donde se recuperan los archivos de reflejo:

```
! U1 setvar "usb.mirror.path" "path"
```

Valor predeterminado: "zebra"



### Activar/desactivar la capacidad de utilizar el puerto USB:

```
! U1 setvar "usb.host.lock_out" "value"
```

Valores: "on" u "off"

## Ejercicio 2: Imprimir un formato de etiqueta desde una unidad flash USB

La opción Print USB File (Imprimir archivo USB) permite imprimir archivos desde un dispositivo USB de almacenamiento masivo, como una unidad flash USB. Solo podrán imprimirse desde el dispositivo USB de almacenamiento masivo los archivos imprimibles (.ZPL y .XML) que estén ubicados a nivel raíz (no en un directorio).

1. Copie los siguientes archivos en su unidad flash USB:
  - Archivo 4: [USBSTOREDFILE.ZPL](#)
  - Archivo 5: [VLS\\_BONKGRF.ZPL](#)
  - Archivo 6: [VLS\\_EIFFEL.ZPL](#)
2. Inserte la unidad flash USB en el puerto USB host que se encuentra en la parte delantera de la impresora.
3. En el panel de control de la impresora, presione el botón de SELECCIÓN IZQUIERDO (debajo del icono de inicio ) para acceder al menú Home (Inicio) de la impresora.
4. Utilice los botones de FLECHA para desplazarse hasta el menú Tools (Herramientas). 
5. Presione OK (Aceptar).
6. Utilice los botones de FLECHA para desplazarse hasta **PRINT USB FILE** (IMPRMR ARCH DE USB).




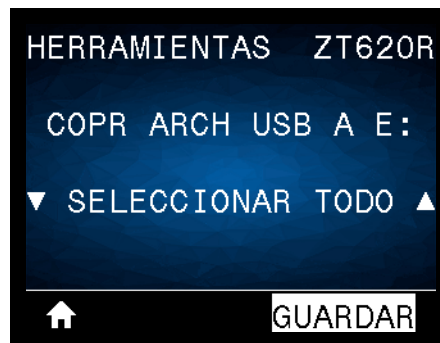
La impresora cargará y procesará todo archivo ejecutable. Se enumerarán los archivos disponibles. La opción **SELECT ALL** (Seleccionar todo) estará disponible para imprimir todos los archivos de la unidad flash USB.

7. Si es necesario, utilice la flecha arriba o abajo para seleccionar [USBSTOREDFILE.zpl](#).
8. Presione el botón de SELECCIÓN DERECHO para seleccionar **PRINT** (Imprimir). Se imprimirá la etiqueta.

### Ejercicio 3: Copiar archivos a/desde una unidad flash USB

La opción Copy USB File (Copiar archivo USB) permite copiar archivos desde un dispositivo USB de almacenamiento masivo a la unidad **E**: de memoria flash de la impresora.

1. Copie los siguientes archivos al directorio raíz de su unidad flash USB. No coloque estos archivos en una subcarpeta.
  - Archivo 7: [KEYBOARDINPUT.ZPL](#)
  - Archivo 8: [SMARTDEVINPUT.ZPL](#)
2. Inserte la unidad flash USB en el puerto USB host que se encuentra en la parte delantera de la impresora.
3. En el panel de control de la impresora, presione el botón de SELECCIÓN IZQUIERDO para acceder al menú Home (Inicio) de la impresora.
4. Utilice los botones de FLECHA para desplazarse hasta el menú Tools (Herramientas). 
5. Presione OK (Aceptar).
6. Utilice los botones de FLECHA para desplazarse hasta **COPY USB FILE TO E:** (COPR ARCH USB A E:).

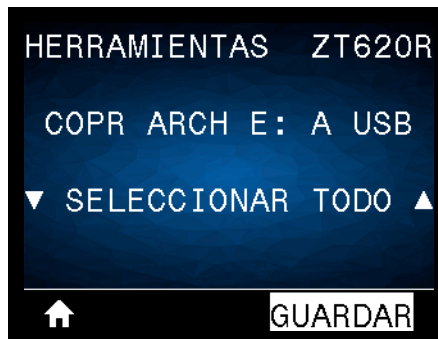


La impresora cargará y procesará todo archivo ejecutable. Se enumerarán los archivos disponibles. La opción **SELECT ALL** (Seleccionar todo) estará disponible para copiar todos los archivos disponibles desde la unidad flash USB.

7. Si es necesario, utilice la FLECHA ARRIBA o ABAJO para seleccionar el archivo [STOREFMT.ZPL](#).
8. Presione el botón de SELECCIÓN DERECHO para seleccionar **STORE** (Guardar).  
La impresora almacenará el archivo en la memoria **E**:. Todos los nombres de los archivos se convertirán al formato de mayúsculas.
9. Repita este proceso para seleccionar el archivo [STOREFMTM1.ZPL](#).
10. Presione el botón de SELECCIÓN DERECHO para seleccionar **STORE** (Guardar).  
La impresora almacenará el archivo en la memoria **E**:.

**11.** Quite la unidad flash USB del puerto USB host.


NOTA: ahora podrá copiar estos archivos desde la impresora a una unidad flash USB a través del elemento de menú **STORE E: FILE TO USB** (ALMAC ARCH E: EN USB).

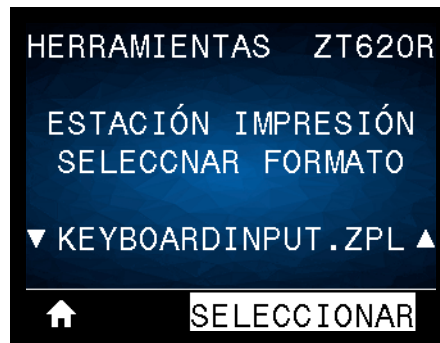


Podrá utilizar la opción **SELECT ALL** (Seleccionar todo) para almacenar en la unidad flash USB todos los archivos disponibles en la impresora. Se realizará un posprocesamiento de todos los archivos .ZPL que se copien para que el contenido de esos archivos pueda ser enviado a una impresora y se pueda ejecutar normalmente el proceso de impresión.

## Ejercicio 4: Ingresar datos de un archivo almacenado con un teclado USB e imprimir una etiqueta

La función Print Station (Estación de impresión) le permite utilizar un dispositivo de interfaz humana (HID) USB, como un teclado o un escáner de código de barras, para ingresar los datos del campo **^FN** en un archivo de plantilla **\*.ZPL**.

1. Después de realizar el ejercicio anterior, conecte un teclado USB a un puerto USB host.
2. Utilice los botones de FLECHA para desplazarse hasta el menú Tools (Herramientas). 
3. Presione OK (Aceptar).
4. Utilice los botones de FLECHA para desplazarse hasta **PRINT STATION (ESTACIÓN IMPRESIÓN)**.



La impresora cargará y procesará todo archivo ejecutable. Se enumerarán los archivos disponibles.

5. Si es necesario, utilice la FLECHA ARRIBA o ABAJO para seleccionar el archivo **KEYBOARDINPUT.ZPL**.
6. Presione el botón de SELECCIÓN DERECHO para seleccionar **SELECT** (Seleccionar). La impresora accederá al archivo y le solicitará información para completar los campos **^FN** del archivo. En este caso, se le pedirá que indique su nombre.
7. Ingrese su nombre y presione <ENTER> (Intro). La impresora le pedirá que indique la cantidad de etiquetas que desea imprimir.
8. Especifique la cantidad de etiquetas y vuelva a presionar <ENTER> (Intro). Se imprimirá la cantidad especificada de etiquetas, con su nombre en los campos correspondientes.

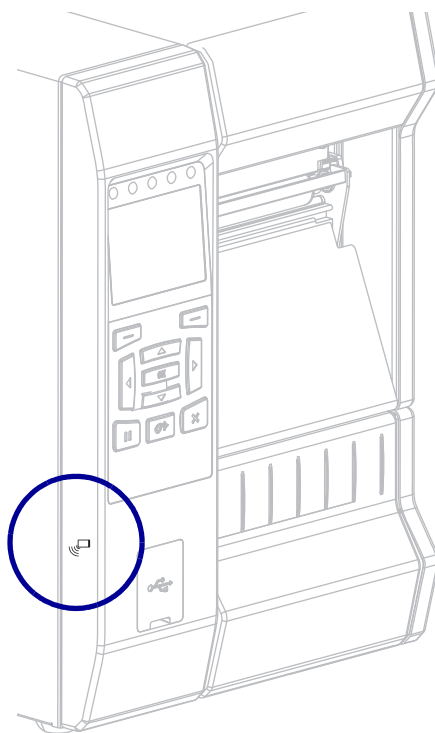
## Comunicación de campo cercano (NFC)

La función Zebra Print Touch™ permite que un dispositivo Android™ que admite tecnología NFC (como un smart phone o una tablet) interactúe con un logotipo de NFC (Figura 24) para asociar el dispositivo a la impresora. Esta capacidad posibilita el uso de su dispositivo para proporcionar la información que se le solicite y luego imprimir una etiqueta con esa información.



**Importante** • Es posible que algunos dispositivos no admitan la comunicación NFC con la impresora hasta que se realicen los cambios que correspondan en la configuración. Si tiene alguna dificultad, consulte a su proveedor de servicios o al fabricante del dispositivo inteligente para obtener más información.

**Figura 24 • Ubicación del logotipo de NFC**



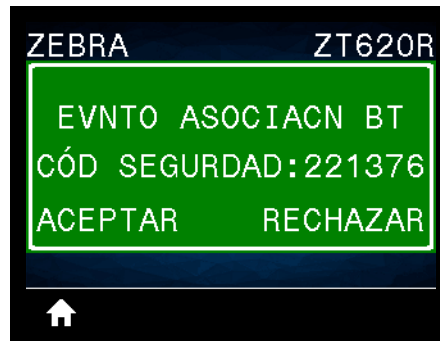
## Ejercicio 5: Ingresar datos de un archivo almacenado con un dispositivo inteligente e imprimir una etiqueta



**Nota** • Los pasos de este ejercicio podrían variar según el dispositivo inteligente utilizado, el proveedor de servicios o la posibilidad de que la aplicación Zebra Utilities esté instalada en su dispositivo inteligente.

Consulte *Zebra Bluetooth User Guide* (Guía del usuario de Zebra para Bluetooth) para obtener instrucciones específicas acerca de la configuración de la impresora para utilizar una interfaz Bluetooth. Una copia de este manual está disponible en <http://www.zebra.com/manuals>.


1. Si no tiene la aplicación Zebra Utilities instalada en su dispositivo, vaya a la tienda de aplicaciones del dispositivo, busque la aplicación Zebra Utilities e instálela.
2. Asocie su dispositivo inteligente con la impresora, sosteniendo el dispositivo junto al icono de NFC de la impresora.
  - a. Si es necesario, acceda a la información de Bluetooth sobre su impresora a través de su dispositivo inteligente. Para obtener instrucciones, consulte la documentación del fabricante de su dispositivo.
  - b. De ser necesario, seleccione el número de serie de la impresora Zebra para asociarla con el dispositivo.
  - c. Cuando la impresora detecte el dispositivo inteligente, posiblemente le pida que acepte o rechace la asociación. Si es necesario, presione el botón de SELECCIÓN IZQUIERDO de la impresora para seleccionar **ACCEPT** (Aceptar). Algunos dispositivos inteligentes se asocian directamente con la impresora, sin que se pida confirmación.



La impresora y el dispositivo estarán asociados.

3. Inicie la aplicación Zebra Utilities en su dispositivo.  
Aparecerá el menú principal de Zebra Utilities.



4. Realice los siguientes pasos si tiene un dispositivo Apple:
  - a. Toque el icono de Configuración en el ángulo inferior derecho. 
  - b. Cambie el ajuste de **Get Labels From Printer** (Obtener etiquetas desde la impresora) por **ON** (activado).
  - c. Toque Done (Listo).
5. Toque Files (Archivos).  
El dispositivo inteligente obtendrá los datos de la impresora y los mostrará.



**Nota** • Este proceso de recuperación puede llevar un minuto o más.

6. Desplácese entre los formatos mostrados y seleccione **E : SMARTDEVINPUT . ZPL**.  
Según la configuración del campo **^FN** en relación con el formato de las etiquetas, el dispositivo inteligente podría pedirle que indique su nombre.
7. Ingrese su nombre en la solicitud.
8. Si lo desea, puede cambiar la cantidad de etiquetas que se van a imprimir.
9. Toque **PRINT** (Imprimir) para imprimir la etiqueta.



# Especificaciones

Esta sección enumera las especificaciones generales de la impresora, las especificaciones de impresión, las especificaciones de la cinta y las especificaciones del papel.

## Contenido

Especificaciones generales . . . . .	280
Especificaciones de alimentación . . . . .	283
Especificaciones para el cable de alimentación eléctrica . . . . .	284
Especificaciones para conexiones inalámbricas . . . . .	285
Especificaciones de impresión . . . . .	286
Especificaciones del papel . . . . .	288
Especificaciones de la cinta . . . . .	290

## Especificaciones generales

		ZT610™	ZT620™
Altura		395,68 mm (15,58 pulg.)	395,68 mm (15,58 pulg.)
Ancho		268,2 mm (10,56 pulg.)	341,45 mm (13,44 pulg.)
Profundidad		505,0 mm (19,88 pulg.)	505 mm (19,88 pulg.)
Peso		22,7 kg (50 lb)	26 kg (57,4 lb)
Temperatura	En funcionamiento	Transferencia térmica: 5 °C a 40 °C (40 °F a 105 °F) Térmica directa: 0 °C a 40 °C (32 °F a 105 °F)	
	Almacenamiento	-30 °C a 60 °C (-22 °F a 140 °F)	
Humedad relativa	En funcionamiento	20 % a 85 % sin condensación	
	Almacenamiento	20 % a 85 % sin condensación	
Especificaciones de la interfaz de comunicación	Estándar	<p><b>Bluetooth® versión 4.0</b> Limitaciones y requisitos</p> <p>Muchos dispositivos móviles pueden comunicarse con la impresora dentro de un radio de 30 pies de la impresora.</p> <p>Conexiones y configuración</p> <p>Consulte <i>Zebra Bluetooth User Guide</i> (Guía del usuario de Zebra para Bluetooth) para obtener instrucciones específicas acerca de la configuración de la impresora para utilizar una interfaz Bluetooth. Una copia de este manual está disponible en <a href="http://www.zebra.com/manuals">http://www.zebra.com/manuals</a>.</p>	
		<p><b>Dos puertos USB host</b> Consulte la sección <i>Uso de los puertos USB host y de las capacidades de NFC en la página 265</i> para obtener más información.</p> <p>Limitaciones y requisitos</p> <p>Solo puede conectar un dispositivo en cada uno de los dos puertos USB host de la impresora. No se podrá conectar un tercer dispositivo a un puerto USB de uno de los dispositivos, ni emplear un adaptador para dividir el puerto USB host de la impresora de modo que acepte más de un dispositivo a la vez.</p> <p>Conexiones y configuración</p> <p>No se necesita ninguna configuración adicional.</p>	
		(Continúa en la página siguiente)	

		ZT610™	ZT620™
Interfases de comunicación (continuación)	Estándar (continuación)	<p><b>Zebra PrintTouch/Comunicación de campo cercano (NFC)</b>            Consulte la sección <i>Uso de los puertos USB host y de las capacidades de NFC</i> en la página 265 para obtener más información.</p> <p>Limitaciones y requisitos</p> <p>La comunicación NFC debe iniciarse acercando el dispositivo al lugar correspondiente en la impresora.</p> <p>Conexiones y configuración</p> <p>Es posible que algunos dispositivos no admitan la comunicación NFC con la impresora hasta que se realicen los cambios que correspondan en la configuración.</p>	
		<p><b>Interfaz de datos para USB 2.0</b>            Limitaciones y requisitos</p> <ul style="list-style-type: none"> <li>• Longitud máxima del cable de 5 m (16.4 pies).</li> </ul> <p>Conexiones y configuración</p> <p>No se necesita ninguna configuración adicional.</p>	
		<p><b>Servidor de impresión interno Gigabit con cable Ethernet</b>            Limitaciones y requisitos</p> <ul style="list-style-type: none"> <li>• Se debe configurar la impresora para utilizar su LAN.</li> <li>• En la ranura opcional inferior se puede instalar un segundo servidor de impresión cableado.</li> </ul> <p>Conexiones y configuración</p> <p>Consulte <i>ZebraNet Wired and Wireless Print Servers User Guide (Guía del usuario de servidores de impresión ZebraNet cableados o inalámbricos)</i> para obtener instrucciones de configuración. Una copia de este manual está disponible en <a href="http://www.zebra.com/manuals">http://www.zebra.com/manuals</a>.</p>	
		<p><b>Interfaz de datos serie RS-232</b></p> <ul style="list-style-type: none"> <li>• 2400 a 115000 baudios.</li> <li>• Paridad, bits/carácter.</li> <li>• 7 u 8 bits de datos.</li> <li>• Se requiere un protocolo de enlace central XON-XOFF, RTS/CTS o DTR/DSR.</li> <li>• 750 mA a 5 V desde patillas 1 y 9.</li> </ul> <p>Limitaciones y requisitos</p> <ul style="list-style-type: none"> <li>• Se debe emplear un cable módem nulo para realizar una conexión con la impresora o un adaptador de módem nulo si se utiliza un cable módem estándar.</li> <li>• Longitud máxima del cable de 15,24 m (50 pies).</li> <li>• Puede ser necesario cambiar los parámetros de la impresora para que coincidan con los de la computadora host.</li> </ul> <p>Conexiones y configuración</p> <p>La velocidad de transmisión en baudios, la cantidad de bits de datos y de parada, la paridad y el control ACTV/DEACTV (XON/XOFF) o DTR deben coincidir con los de la computadora host.</p>	

		ZT610™	ZT620™
Interfaces de comunicación (continuación)	Opcional	<b>Servidor de impresión inalámbrico</b> Consulte la sección <i>Especificaciones para conexiones inalámbricas</i> en la página 285 para obtener más información. Limitaciones y requisitos <ul style="list-style-type: none"> <li>• Puede imprimir en la impresora desde cualquier computadora de su Red de área local inalámbrica (WLAN).</li> <li>• Puede comunicarse con la impresora a través de las páginas web de la impresora.</li> <li>• Se debe configurar la impresora para utilizar su WLAN.</li> <li>• Solo puede instalarse en la ranura opcional superior.</li> </ul> Configuración Consulte <i>ZebraNet Wired and Wireless Print Servers User Guide (Guía del usuario de servidores de impresión ZebraNet cableados o inalámbricos)</i> para obtener instrucciones de configuración. Una copia de este manual está disponible en <a href="http://www.zebra.com/manuals">http://www.zebra.com/manuals</a> .	
		<b>Interfaz de datos paralela bidireccional IEEE 1284</b> Limitaciones y requisitos <ul style="list-style-type: none"> <li>• Longitud máxima del cable de 3 m (10 pies).</li> <li>• Longitud recomendada del cable de 1,83 m (6 pies).</li> <li>• No se requieren cambios de los parámetros de la impresora para que coincidan con los de la computadora host.</li> <li>• Solo puede instalarse en la ranura opcional superior o en la inferior.</li> </ul> Conexiones y configuración No se necesita ninguna configuración adicional.	
		<b>Interfaz de aplicador</b> con conector DB15F	
		<b>Servidor de impresión ZebraNet 10/100 externo</b> Requiere la opción de interfaz de datos paralela	
Memoria		Memoria DRAM de 1 gigabyte (32 MB disponibles para el usuario) Memoria Flash de 2 gigabyte (512 MB disponibles para el usuario)	

## Especificaciones de alimentación

	<b>ZT610™</b>	<b>ZT620™</b>
Requisitos eléctricos	100 V c.a. – 240 V c.a., 50 Hz – 60 Hz	
Consumo de energía eléctrica	120 V c.a., 60 Hz	
Corriente inicial de entrada (Irms)	37,0	37,0
Consumo de energía eléctrica, impresora inactiva (W)	7,8	8,2
Consumo de energía eléctrica, impresora inactiva (VA)	13,9	17,5
Consumo de energía eléctrica, impresora en suspenso (W)	3,0	3,1
Consumo de energía eléctrica, impresora en suspenso (VA)	10,6	14,3
Consumo de energía eléctrica, impresora en funcionamiento (W)	122,0	128,0
Consumo, impresora en funcionamiento (VA)	130,0	156,0
Consumo de energía eléctrica	230 V c.a., 50 Hz	
Corriente inicial de entrada (Irms)	49,0	49,0
Consumo de energía eléctrica, impresora inactiva (W)	7,5	7,9
Consumo de energía eléctrica, impresora inactiva (VA)	26,9	35,6
Consumo de energía eléctrica, impresora en suspenso (W)	3,2	3,2
Consumo de energía eléctrica, impresora en suspenso (VA)	23,2	31,6
Consumo de energía eléctrica, impresora en funcionamiento (W)	120,0	127,0
Consumo, impresora en funcionamiento (VA)	134,0	156,0

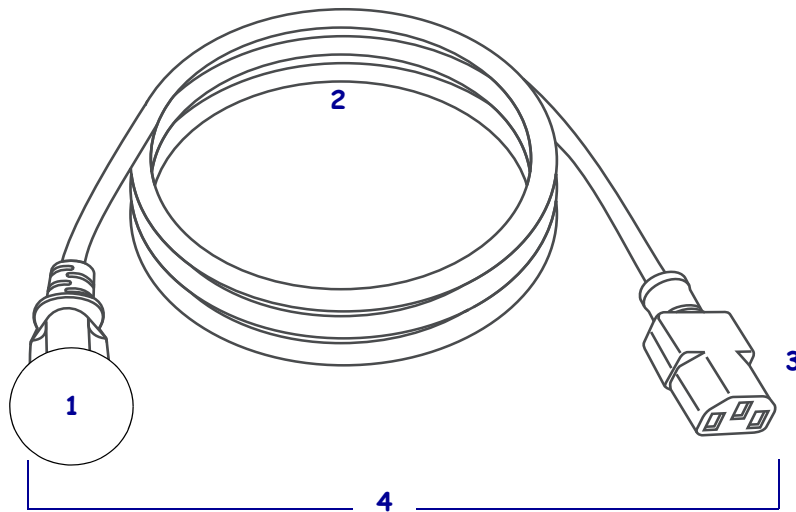
## Especificaciones para el cable de alimentación eléctrica



**Precaución** • Para seguridad del personal y del equipamiento, utilice siempre un cable de alimentación eléctrica de tres conductores aprobado y específico para la región o el país al cual está destinada la instalación. Este cable debe utilizar un conector hembra IEC 320 y la configuración adecuada de enchufe de tres conductores conectado a tierra y específico para la región.

Según el modelo de impresora que haya pedido, es posible que se suministre o no un cable de alimentación eléctrica. Si no se suministra uno o si el cable suministrado no corresponde a sus requisitos, consulte la [Figura 25](#) para conocer las especificaciones.

**Figura 25 • Especificaciones para el cable de alimentación eléctrica**



<b>1</b>	Enchufe de alimentación eléctrica de c.a. correspondiente a su país: este enchufe debe tener la marca de certificación de, al menos, una de las organizaciones internacionales de seguridad conocidas ( <a href="#">Figura 26</a> ). La masa (tierra) del chasis <b>debe</b> estar conectada para garantizar la seguridad y reducir la interferencia electromagnética.
<b>2</b>	Cable HAR de tres conductores u otro cable aprobado para su país.
<b>3</b>	Conector IEC 320: este conector debe tener la marca de certificación de, al menos, una de las organizaciones internacionales de seguridad conocidas ( <a href="#">Figura 26</a> ).
<b>4</b>	Longitud $\leq 3$ m (9,8 pies). Valor nominal de 10 A y 250 V c.a.

**Figura 26 • Símbolos de las certificaciones de organizaciones internacionales de seguridad**



**ULINE**

800-295-5510

0720 IH-7378VND

## Especificaciones para conexiones inalámbricas

Información de la antena	
<ul style="list-style-type: none"> <li>• Tipo = parche</li> <li>• Ganancia = 3,66 dBi a 2,4GHz</li> <li>• Ganancia = 3,19 dBi a 5GHz</li> <li>• Impedancia = 50 ohms</li> </ul>	
Especificaciones de red WLAN	
<p>802.11 b</p> <ul style="list-style-type: none"> <li>• 2,4 GHz</li> <li>• DSSS (DBPSK, DQPSK y CCK)</li> <li>• Potencia de RF 17,77 dBm (EIRP)</li> </ul> <p>802.11 g</p> <ul style="list-style-type: none"> <li>• 2,4 GHz</li> <li>• OFDM</li> </ul> <p>(16-QAM y 64-QAM con BPSK y QPSK)</p> <ul style="list-style-type: none"> <li>• Potencia de RF 18,61 dBm (EIRP)</li> </ul> <p>802.11 n</p> <ul style="list-style-type: none"> <li>• 2,4 GHz</li> <li>• OFDM</li> </ul> <p>(16-QAM y 64-QAM con BPSK y QPSK)</p> <ul style="list-style-type: none"> <li>• Potencia de RF 18,62 dBm (EIRP)</li> </ul> <p>802.11 a/n</p> <ul style="list-style-type: none"> <li>• 5,15-5,25 GHz, 5,25-5,35 GHz, 5,47-5,725 GHz</li> <li>• OFDM (16-QAM y 64-QAM con BPSK y QPSK)</li> <li>• Potencia de RF 17,89 dBm (EIRP)</li> </ul> <p>802.11 ac</p> <ul style="list-style-type: none"> <li>• 5,15-5,25 GHz, 5,25-5,35 GHz, 5,47-5,725 GHz</li> <li>• OFDM (16-QAM y 64-QAM con BPSK y QPSK)</li> <li>• Potencia de RF 13,39 dBm (EIRP)</li> </ul>	<p>Bluetooth 4.1 + Low Energy (LE)</p> <ul style="list-style-type: none"> <li>• 2,4 GHz</li> <li>• FHSS(BDR/EDR), GFSK (Bluetooth Low Energy)</li> <li>• Potencia de RF 9,22 dBm (EIRP)</li> </ul> <p>Bluetooth Classic + Low Energy (LE)</p> <ul style="list-style-type: none"> <li>• 2,4 GHz</li> <li>• FHSS(BDR/EDR), DSSS (Bluetooth LE)</li> <li>• Potencia de RF 9,22 dBm (EIRP)</li> <li>• FHSS(BDR/EDR), DSSS (Bluetooth LE)</li> <li>• Potencia de RF 9,22 dBm (EIRP)</li> </ul> <p>Módulo de radio RFID M6e</p> <ul style="list-style-type: none"> <li>• 865/-928 MHz</li> <li>• FHSS</li> <li>• Potencia de RF 27,893 dBm</li> </ul> <p>EVM Android WLAN y módulos de radio Bluetooth (para pantallas táctiles a color)</p> <ul style="list-style-type: none"> <li>• 2,4 y 5 GHz</li> <li>• Potencia de RF 14,79 dBm (Bluetooth Classic)</li> <li>• Potencia de RF 24,1 dBm (2,4G)</li> <li>• Potencia de RF 22 dBm (5G)</li> </ul>

## Especificaciones de impresión

		ZT610	ZT620
Resolución de impresión		203 dpi (puntos/pulg.)/ 8 puntos/mm	203 dpi (puntos/pulg.)/ 8 puntos/mm
		300 dpi/12 puntos/mm	300 dpi/12 puntos/mm
		600 dpi/24 puntos/mm	N/D
Ancho máximo de impresión	203 dpi	104 mm (4,09 pulg.)	168 mm (6,6 pulg.)
	300 dpi	104 mm (4,09 pulg.)	168 mm (6,6 pulg.)
	600 dpi	104 mm (4,09 pulg.)	N/D
Velocidades de impresión constante programable (pulgadas por segundo [ips] o milímetros por segundo)	203 dpi	50,8 mm a 355,6 mm (2 pulg. a 14 pulg.) por segundo en incrementos de 25,4 mm (1 pulg.)	50,8 mm a 304,8 mm (2 pulg. a 12 pulg.) por segundo en incrementos de 25,4 mm (1 pulg.)
	300 dpi	50,8 mm a 304,8 mm (2 pulg. a 12 pulg.) por segundo en incrementos de 25,4 mm (1 pulg.)	50,8 mm a 203,2 mm (2 pulg. a 8 pulg.) por segundo en incrementos de 25,4 mm (1 pulg.)
	600 dpi	25,4 mm a 152,4 mm (1 pulg. a 6 pulg.) por segundo en incrementos de 25,4 mm (1 pulg.)	N/D
Tamaño del punto (nominal) (ancho x largo)	203 dpi	0,125 mm × 0,125 mm (0,0049 pulg. × 0,0049 pulg.)	0,125 mm × 0,125 mm (0,0049 pulg. × 0,0049 pulg.)
	300 dpi	0,084 mm × 0,099 mm (0,0033 pulg. × 0,0039 pulg.)	0,084 mm × 0,099 mm (0,0033 pulg. × 0,0039 pulg.)
	600 dpi	0,042 mm × 0,042 mm (0,0016 pulg. × 0,0016 pulg.)	N/D
Ubicación del primer punto (medido desde el borde inferior del papel)	203 dpi	3,5 mm × 1,25 mm (0,14 pulg. × 0,05 pulg.)	2,5 mm × 0,9 mm (0,10 pulg. × 0,035 pulg.)
	300 dpi	2,1 mm × 1,25 mm (0,08 pulg. × 0,05 pulg.)	2,5 mm × 0,9 mm (0,10 pulg. × 0,035 pulg.)
	600 dpi	2,1 mm × 1,25 mm (0,08 pulg. × 0,05 pulg.)	N/D
Dimensión (X) módulo de código de barras			
Orientación de cerca de repelado (no girada)	203 dpi	4,9 mil a 49 mil	3,3 mil a 49 mil
	300 dpi	3,3 mil a 49 mil	
	600 dpi	1,6 mil a 16 mil	N/D



		<b>ZT610</b>	<b>ZT620</b>
Orientación de escalera (girada)	203 dpi	4,9 mil a 49 mil	3,9 mil a 39 mil
	300 dpi	3,9 mil a 39 mil	
	600 dpi	1,6 mil a 16 mil	N/D
Registro vertical (203 dpi y 300 dpi)	< 4 pulg./s	± 0,30 mm	± 1,5 mm
	4 a 6 pulg./s	± 0,50 mm	
	> 6 pulg./s	± 1,5 mm	
Registro vertical (600 dpi) (1 y 2 pulg./s)	Corte manual	± 0,20 mm	N/D
	Rebobinado	± 0,20 mm	
	Barra	± 0,20 mm	
	Cortador	± 0,40 mm	
Registro vertical (600 dpi) (3 a 6 pulg./s)	Corte manual	± 0,43 mm	N/D
	Rebobinado	± 0,37 mm	
	Barra	± 0,37 mm	
	Cortador	± 0,43 mm	
Registro horizontal		± 1,5 mm	± 1,5 mm

## Especificaciones del papel

		ZT610	ZT620
Longitud MÍNIMA de la etiqueta (203 dpi y 300 dpi)	Sin RFID		
	Corte manual	18 mm (0,7 pulg.)	18 mm (0,7 pulg.)
	Rebobinado	6 mm (0,25 pulg.)	6 mm (0,25 pulg.)
	Despegar	13 mm (0,5 pulg.)	13 mm (0,5 pulg.)
	Cortador	38 mm (1,5 pulg.)	38 mm (1,5 pulg.)
	RFID	Varía para cada tipo de transpondedor	
Longitud MÍNIMA de la etiqueta (600 dpi)	Sin RFID		
	Corte manual	3 mm (0,125 pulg.)	N/D
	Rebobinado	3 mm (0,125 pulg.)	
	Despegar	13 mm (0,5 pulg.)	
	Cortador	38 mm (1,5 pulg.)	
	RFID	Varía para cada tipo de transpondedor	
Longitud MÁXIMA de la etiqueta (papel no continuo)	991 mm (39 pulg.)		
Longitud MÁXIMA de impresión (papel no continuo)	200 dpi	3810 mm (150 pulg.)	3810 mm (150 pulg.)
	300 dpi	2540 mm (100 pulg.)	2032 mm (80 pulg.)
	600 dpi	762 mm (30 pulg.)	N/D
Ancho MÍNIMO de la etiqueta	Sin RFID	20 mm (0,79 pulg.)	51 mm (2 pulg.)
	RFID	Varía para cada tipo de transpondedor	
Ancho MÁXIMO de la etiqueta (etiqueta y papel protector)	114 mm (4,5 pulg.)		180 mm (7,1 pulg.)
Esesor total MÍNIMO (incluye el papel protector, si lo tiene)	0,076 mm (0,003 pulg.)		
Esesor total MÁXIMO (incluye el papel protector, si lo tiene)	Cortador	0,23 mm (0,009 pulg.)	0,18 mm (0,007 pulg.)
	Otro	0,30 mm (0,012 pulg.)	0,30 mm (0,012 pulg.)
Diámetro externo MÁXIMO del rollo	203 mm (8 pulg.) en un tubo de 76 mm (3 pulg.) de diámetro interno		
Espacio intermedio entre etiquetas	Mínimo	2 mm (0,079 pulg.)	
	Preferido	3 mm (0,118 pulg.)	
	Máximo	4 mm (0,157 pulg.)	
Tamaño de la muesca de los tickets/rótulos (ancho × largo)	6 mm × 3 mm (0,25 pulg. × 0,12 pulg.)		

	ZT610	ZT620
Diámetro del orificio detector	3 mm (0,125 pulg.)	
Densidad de la marca negra, en unidades de densidad óptica (UDO)	> 1.0 UDO	
Densidad MÁXIMA del papel (marca negra)	0.5 UDO	
Longitud de marca negra (paralela al borde interior del papel)	De 3 mm a 11 mm (de 0,12 pulg. a 0,43 pulg.)	
Ancho de marca negra (perpendicular al borde interior del papel)	> 11 mm (> 0,43 pulg.)	
Ubicación de marca negra	dentro de 1 mm (0,040 pulg.) del borde interno del papel	

## Especificaciones de la cinta

Esta estándar solo se puede utilizar con cinta cuyo lado revestido esté ubicado hacia afuera. Se puede solicitar un rodillo de cinta opcional que permite el uso de cinta revestida del lado interno. Póngase en contacto con un revendedor de Zebra autorizado para obtener información sobre pedidos.

	<b>ZT610</b>	<b>ZT620</b>
Ancho MÍNIMO de la cinta*	20 mm (0,79 pulg.)	51 mm** (2 pulg.**)
Ancho MÁXIMO de la cinta	110 mm (4,33 pulg.)	170 mm (6,7 pulg.)
Longitud MÁXIMA de la cinta	450 m (1476 pies)	
Diámetro interno del rollo de cinta	25 mm (1 pulg.)	
Diámetro externo MÁXIMO del rollo de cinta	81,3 mm (3,2 pulg.)	

\* Zebra recomienda el uso de una cinta que tenga al menos el mismo ancho que el papel para evitar el desgaste del cabezal de impresión.

\*\* Según la aplicación que tenga, usted puede emplear una cinta más angosta que 51 mm (2 pulg.), siempre y cuando la cinta sea más ancha que el papel que se utilizará. Si desea utilizar una cinta más angosta, pruebe el rendimiento de la cinta con el papel para asegurarse de obtener los resultados deseados.

# Glosario

**alfanumérico:** letras, números y caracteres para indicación, como signos de puntuación.

**arruga de la cinta:** arruga de la cinta causada por la alineación incorrecta o la presión incorrecta del cabezal de impresión. Esta arruga puede causar vacíos en la impresión y/o que la cinta utilizada se rebobine sin uniformidad. Se debe corregir esta condición mediante procedimientos de ajuste.

**calibración (de una impresora):** proceso en el cual la impresora determina información básica necesaria para imprimir con precisión utilizando una combinación determinada de papel y cinta. Para hacerlo, la impresora carga papel y cinta (si utiliza) a través de la impresora y detecta si debe utilizar el método de impresión térmica directa o de transferencia térmica y, en caso de que utilice papel no continuo, la longitud de las etiquetas o los rótulos individuales.

**cinta:** banda de material que consta de una película de base revestida con “tinta” de resina o cera. El cabezal de impresión presiona el lado entintado del material contra el papel. Cuando los elementos pequeños del cabezal de impresión calientan la cinta, esta transfiere la tinta al papel. Las cintas de Zebra poseen un revestimiento en la parte de atrás que ayuda a evitar el desgaste del cabezal de impresión.

**código de barras:** código por medio del cual se pueden representar caracteres alfanuméricos mediante una serie de bandas adyacentes de distinto ancho. Existen varios esquemas de códigos diferentes, como por ejemplo, el código de producto universal (UPC) o el Código 39.

**configuración:** la configuración de la impresora es un grupo de parámetros de operación específicos de la aplicación de la impresora. Algunos parámetros pueden ser seleccionados por el usuario, mientras que otros dependen de las opciones instaladas y del modo de operación. Los parámetros se pueden seleccionar mediante un interruptor, programar en el panel de control o descargar como comandos de ZPL II. Se puede imprimir una etiqueta de configuración que enumera todos los parámetros actuales de la impresora para utilizarla como referencia.

**corte manual:** modo de operación en el cual el usuario corta a mano la etiqueta o el suministro de rótulos del resto del papel.

**ULINE**

800-295-5510

0720 IH-7378VND

**desgaste del cabezal de impresión:** degradación de la superficie del cabezal de impresión y/o de los elementos de impresión a través del tiempo. El calor y la abrasión pueden provocar la degradación del cabezal de impresión. Por lo tanto, para prolongar al máximo la vida útil del cabezal de impresión, utilice la configuración de contraste de impresión más baja (a veces denominada temperatura de quemadura o temperatura de cabezal) y la presión del cabezal de impresión más baja necesaria para producir una buena calidad de impresión. En el método de impresión de transferencia térmica, utilice una cinta que sea tan ancha como el papel o más ancha para proteger el cabezal de impresión de la superficie áspera del papel.

**despegar:** modo de operación en el cual la impresora despega la etiqueta impresa del papel protector y le permite al usuario extraerla antes de que se imprima otra etiqueta. La impresión hace una pausa hasta que se extrae la etiqueta.

**diagnóstico:** información sobre las funciones de la impresora que no funcionan. Esta información se utiliza para la solución de problemas de la impresora.

**diámetro de tubo:** diámetro interior del tubo de cartón ubicado en el centro de un rollo de papel o de cinta.

**diodo emisor de luz (LED):** indicador de condiciones específicas del estado de la impresora. Cada LED está apagado, encendido o intermitente según la función que esté supervisando.

**etiqueta:** pedazo de papel, plástico u otro material con papel protector adhesivo en el cual se imprime información.

**firmware:** este es el término que se utiliza para especificar el programa operativo de la impresora. Este programa se descarga en la impresora desde una computadora host y se almacena en una memoria FLASH. Cada vez que se enciende la impresora, se inicia este programa operativo. Este programa controla cuándo se debe cargar el papel hacia delante o hacia atrás y cuándo se debe imprimir un punto en el suministro de etiquetas.

**fuente:** conjunto completo de caracteres alfanuméricos en un estilo de tipografía. Entre los ejemplos se incluyen CG Times™, CG Triumvirate Bold Condensed™.

**impresión térmica directa:** método de impresión en el cual el cabezal de impresión ejerce presión directamente contra el papel. El calentamiento de los elementos del cabezal de impresión produce una mancha en el revestimiento sensible al calor del papel. Mediante el calentamiento selectivo de los elementos del cabezal de impresión a medida que pasa el papel, se imprime una imagen en el papel. Con este método de impresión no se utiliza ninguna cinta. Compare este método con el de *transferencia térmica*.

**ips (pulg. por segundo):** velocidad a la que se imprime la etiqueta o el rótulo. Muchas impresoras Zebra pueden imprimir a una velocidad de 1 ips a 14 ips (25 mm/s a 305 mm/s).

**marca negra:** marca de registro que se encuentra en la cara inferior del papel de impresión y actúa como una indicación de inicio de etiqueta para la impresora. (Consulte *papel no continuo*).

**memoria FLASH:** la memoria FLASH es una memoria no volátil y, por lo tanto, mantiene la información almacenada cuando se apaga la impresora. Esta memoria se utiliza para almacenar el programa operativo de la impresora. Además, esta memoria puede utilizarse para almacenar fuentes opcionales de la impresora, formatos gráficos y formatos de etiquetas completos.

**memoria no volátil:** memoria electrónica que retiene datos aun cuando se encuentra apagada la impresora.

**pantalla de cristal líquido (LCD):** la pantalla LCD es una pantalla iluminada desde la parte de atrás que proporciona al usuario información sobre el estado de operación durante la operación normal o menús de opciones cuando se configura la impresora para una aplicación específica.

**papel con muescas:** tipo de suministro de rótulos que contiene un área de corte que la impresora puede detectar como un indicador de inicio de etiqueta. Por lo general, se trata de un material más pesado, similar al cartón, que se corta o se tira del siguiente rótulo. (Consulte [papel no continuo](#)).

**papel continuo:** papel de etiquetas o de suministro de rótulos que no tiene muescas, espacios intermedios ni bobina (solo papel protector) para separar las etiquetas o los rótulos. El papel es un trozo de material largo.

**papel de rollo:** papel que se suministra enrollado en un tubo (por lo general de cartón). Compare este método con el de [papel plegado continuo](#).

**papel no continuo:** papel que contiene una indicación del lugar en el cual una etiqueta o un formato impreso finaliza y comienza el siguiente. Los ejemplos son etiquetas troqueladas, suministro de rótulos con muescas y cartón con marcas negras de registro.

**papel no recubierto:** el papel no recubierto no utiliza revestimiento para que las capas de etiquetas del rodillo no se peguen. Está bobinado como un rollo de cinta, con el lado adhesivo de una capa en contacto con la superficie no adhesiva de la otra que se encuentra debajo. Las etiquetas pueden estar separadas por perforaciones o cortadas. Dado que no tienen papel protector, posiblemente entren más etiquetas en un rollo, lo que elimina la necesidad de cambiar frecuentemente el papel. Se considera que el papel no recubierto es una opción ecológica, porque no se derrocha papel protector y el costo por etiqueta puede ser bastante inferior al costo de las etiquetas estándar.

**papel para impresión térmica directa:** el papel está recubierto de una sustancia que reacciona a la aplicación del calor directo que emite el cabezal de impresión para producir una imagen.

**papel plegado continuo:** papel que se suministra plegado en una pila rectangular. Compare este método con el de [papel de rollo](#).

**papel troquelado:** tipo de suministro de etiquetas que contiene etiquetas individuales pegadas a un papel protector. Las etiquetas pueden estar alineadas unas contra otras o separadas por una distancia pequeña. Por lo general, el material que rodea a las etiquetas se ha quitado. (Consulte [papel no continuo](#)).

**papel:** material en el cual la impresora imprime datos. Los tipos de papel incluyen: suministro de rótulos, etiquetas troqueladas, etiquetas continuas (con o sin papel protector), papel no continuo, papel plegado continuo y papel de rollo.

**protector de la etiqueta (papel protector):** material en el cual se fijan las etiquetas durante la fabricación y que los usuarios finales descartan o reciclan.

**RAM dinámica:** dispositivo de memoria que se utiliza para almacenar los formatos de etiquetas en forma electrónica mientras se imprimen. La cantidad de memoria DRAM disponible en la impresora determina el tamaño máximo y la cantidad de formatos de etiquetas que se pueden imprimir. Esta memoria es una memoria volátil que pierde la información almacenada cuando se apaga la impresora.

**registro:** alineación de la impresión con respecto a la parte superior (vertical) o lados (horizontal) de una etiqueta o un rótulo.

**retroceso:** cuando la impresora tira el papel y la cinta (si utiliza estos elementos) hacia atrás dentro de la impresora, de modo que el comienzo de la etiqueta que se imprimirá quede correctamente colocado detrás del cabezal de impresión. El retroceso se produce cuando la impresora opera en los modos Corte manual y Aplicador.

**rótulo:** tipo de papel que no tiene papel protector adhesivo, pero tiene un orificio o una muesca que permite que el rótulo se enganche a algún elemento. Por lo general, los rótulos son de cartón u otro material durable.

**sensor de papel:** este sensor se encuentra ubicado detrás del cabezal de impresión para detectar la presencia de papel y, en el caso de papel no continuo, la posición de la bobina, el orificio o la muesca que indica el inicio de cada etiqueta.

**simbología:** término que suele emplearse para hacer referencia a un código de barras.

**soporte de suministro de papel:** brazo fijo que soporta el rollo de papel.

**suministros:** término general utilizado para el papel y la cinta.

**transferencia térmica:** método de impresión en el cual el cabezal de impresión presiona contra el papel una cinta revestida en tinta o resina. El calentamiento de los elementos del cabezal de impresión permite que la tinta o la resina se transfieran al papel. Mediante el calentamiento selectivo de los elementos del cabezal de impresión cuando pasan el papel y la cinta, se imprime una imagen en el papel. Compare este método con el de *impresión térmica directa*.

**vacío:** espacio en el que debería haberse producido una impresión, pero no ocurrió debido a un error, como por ejemplo, la cinta arrugada o una falla en los elementos de impresión. Un vacío puede producir la lectura incorrecta de un símbolo de código de barras impreso o impedir totalmente su lectura.

**velocidad de impresión:** velocidad a la cual se produce la impresión. En las impresoras de transferencia térmica, esta velocidad se expresa en términos de ips (pulg. por segundo).



# Índice

## A

- acción al encender, 123
- acción de cierre de cabezal, 124
- activación de ZBI, 131
- ajustar sensor automáticamente, 179
- ajuste automático de sensor, 179
- ajuste de la palanca acodada, 199
- ajuste de la posición de corte manual, 108
- ajuste de la posición izquierda de la etiqueta, 112
- ajuste de la posición superior de la etiqueta, 111
- ajustes
  - ancho de impresión, 109
  - contraste de impresión, 104
  - longitud máxima de la etiqueta, 114
  - posición de corte manual, 108
  - posición izquierda de la etiqueta, 112
  - posición superior de la etiqueta, 111
  - presión del cabezal de impresión o posición de la palanca acodada, 199
  - ubicación del sensor, 205
- alimentación eléctrica
  - selección del sitio, 30
- ancho de impresión
  - ajuste, 109
  - especificaciones, 286
- ancho de la etiqueta
  - cómo configurar, 109
  - especificaciones, 288
- asistencia al cliente, 28
- Asistencia Global al Cliente de Zebra, 28
- asistencia técnica, 28

- Asset Visibility Service, 160
- autoprueba CANCEL (CANCELAR), 120
- Autoprueba de conexión de la alimentación eléctrica (POST)
  - la impresora se bloquea durante la POST, 263
- autoprueba FEED + PAUSE, 126
- autoprueba PAUSE (PAUSA), 141
- autopruebas, 233
  - diagnóstico de comunicaciones, 241
  - FEED (ALIMENTACIÓN), 239

## B

- bits de datos, 183
- Bluetooth
  - características y limitaciones, 280
  - detección activada/desactivada, 189
  - dirección, 187
  - estado de conexión con el dispositivo asociado, 190
  - nivel de seguridad mínimo, 192
  - tipo de dispositivo (esclavo o maestro), 188
  - uso de la función Print Touch, 276
  - versión de especificación, 191
- botón CANCEL (CANCELAR), 18
- botón FEED
  - ubicación, 18
- botón FEED (ALIMENTACIÓN)
  - autoprueba FEED (ALIMENTACIÓN), 239
- botón PAUSE (PAUSA), 18
- botones en el panel de control, 18

**C**

- cabezal de impresión
  - ajustar presión del cabezal de impresión o posición de la palanca acodada, 199
  - cómo limpiarlo, 216
  - mensaje HEAD COLD (CABEZAL FRÍO)
    - como único mensaje, 249
    - repetición cíclica con otros mensajes, 248
  - mensaje PH NOT AUTHENTICATED (CABEZAL DE IMPRESIÓN NO AUTENTICADO), 247
  - mensaje PRINT HEAD OVERTEMP (CABEZAL DE IMPRESIÓN MUY CALIENTE), 248
- cable de alimentación eléctrica
  - especificaciones del cable de alimentación eléctrica, 284
- cables de datos, 17
- CALIBR RÁPIDA
  - cómo configurar como acción al encender, 123
  - cómo configurar como acción de cierre de cabezal, 124
- calibración
  - CALIBR RÁPIDA
    - cómo configurar como acción al encender, 123
    - cómo establecer como acción de cierre de cabezal, 124
  - cómo configurar como acción al encender, 123
  - cómo configurar como acción de cierre de cabezal, 124
  - error durante la calibración automática, 263
  - formas de iniciarla, 127
  - procedimiento, 193
- calibración de rótulos, 162
- calibración de sensor de cinta
  - formas de iniciarla, 127
- calibración de sensor de papel
  - formas de iniciarla, 127
- calibración del sensor de cinta
  - procedimiento, 193
- calibración del sensor de papel
  - procedimiento, 193
- calibración manual
  - formas de iniciarla, 127
  - procedimiento, 193
- calidad de impresión
  - ajuste de la presión del cabezal de impresión, 199
  - el código de barras no se escanea, 251
  - optimización de contraste y velocidad de impresión, 239
  - solución de problemas, 251
- cambiar parámetros de la impresora, 102
- canal (red inalámbrica), 155
- carácter de comando, 173
- carácter de control, 174
- carácter delimitador, 175
- cargar originales, 125
- cargar una etiqueta
  - botón FEED, 18
  - cómo configurar como acción al encender, 123
  - cómo configurar como acción de cierre de cabezal, 124
- causas de cinta arrugada, 256
- cinta
  - carga, 58
  - cinta arrugada, 256
  - cinta rota o fundida, 255
  - configuración del modo de Transferencia térmica, 107
  - cuándo se utiliza, 24
  - determinar cuál es el lado revestido, 24
  - especificaciones, 290
  - extracción, 206
  - la cinta no se detecta correctamente, 256
  - luces de la trayectoria de la cinta, 118
  - prueba adhesiva, 25
  - prueba de marcar, 25
- cinta fundida, 255
- cinta rota, 255
- código de barras
  - el código de barras no se escanea, 251
- códigos de barras
  - determinación de códigos de barras "dentro de especificaciones", 231
  - etiqueta de códigos de barras, 119
- Códigos QR con mensajes de error, 230
- comando idioma, 172
- Comunicación de campo cercano (NFC), 276
- condiciones ambientales, 280
- condiciones de operación, 30
- conexión de la impresora a la computadora o red, 62
- configuración
  - desembalar la impresora, 28
  - instalar el controlador de la impresora, 62
- configuración de impresora
  - tipo de papel, 106

configuración de la impresora  
 ancho de impresión, 109  
 contraste, 104  
 la configuración no tuvo efecto, 261  
 longitud máxima de la etiqueta, 114  
 método de impresión, 107  
 modalidad de reimpresión, 113  
 modo de impresión, 110  
 posición de corte manual, 108  
 posición izquierda de la etiqueta, 112  
 posición superior de la etiqueta, 111

configuración de red  
 cargar originales, 125  
 reajustar tarjeta, 159

configuración del contraste de impresión, 104

contador vacío de etiquetas RFID, 170

contador válido de etiquetas RFID, 169

contraseña, 138

contraste  
 ajustes, 104  
 calidad de impresión demasiado clara o demasiado oscura, 251  
 encontrar la configuración óptima, 239  
 imprimir etiquetas de prueba, 140, 234

controlador de la impresora, 62

creación de reflejo, 270

cubierta del compartimiento de componentes electrónicos, 14

Cumplimiento de las disposiciones de la FCC, 4

Cumplimiento según la Declaración de conformidad canadiense, 4

## D

dar servicio a la impresora, 28

declaración de conformidad, 3

desembalar la impresora, 28

desplazamiento vertical en la parte superior del formulario, 254

detener un programa ZBI, 133

diagnóstico, 233

diagnóstico de la impresora, 233

dirección MAC  
 cableada, 148  
 inalámbrica, 153

direcciones IP  
 servidor de impresión cableado, 144  
 servidor de impresión inalámbrico, 149

dispositivo virtual, 177

## E

ejecutar un programa ZBI, 132

elemento de antena, 166

eliminación de la batería, 228

eliminación de piezas de la impresora, 228

encargar piezas de reemplazo, 228

enlace central, 185

entrada por escáner, 137

entrada por escáner USB, 137

entrada por teclado USB, 137

envío  
 informar daños, 28  
 volver a enviar la impresora, 29

espacio intermedio/muesca  
 ilustraciones, 23

espacio/muesca  
 formas de seleccionar el tipo de sensor de papel, 178  
 seleccionar tipo de papel, 106

especificación del método de impresión, 107

especificaciones  
 de alimentación, 283

especificaciones del papel, 288

especificaciones eléctricas, 283

ESSID, 154

estructura de menús, 102

Ethernet  
 conexión con una red cableada, 83  
 conexión con una red inalámbrica, 91

etiqueta de configuración  
 distintas formas de imprimir, 119  
 imprimir a través de Zebra Setup Utilities, 97

etiqueta de configuración de la impresora, 119

etiqueta de configuración de red  
 distintas formas de imprimir, 119

etiqueta de formatos, 119

etiqueta de fuentes, 119

etiqueta de imágenes, 119

etiquetas de prueba de compresión de imagen  
 cómo imprimir, 140  
 muestra, 237

etiquetas de prueba de elemento fuera de funcionamiento  
 cómo imprimir, 140  
 muestra, 238

etiquetas de prueba de línea de impresión  
 cómo imprimir, 140  
 muestra, 236

etiquetas de prueba de ubicación del primer punto  
 cómo imprimir, 140  
 etiqueta de muestra, 235

etiquetas “inteligentes”, 22

etiquetas omitidas, 260

**F**

fuerza de datos  
 conexiones, 62  
 consideraciones de la selección del sitio, 30  
 Función Print Touch, 276

**G**

guardar la impresora, 28

**H**

humedad relativa  
 funcionamiento y almacenamiento, 280  
 operación, 30

**I**

idioma  
 cómo cambiar un idioma desconocido, 261  
 idiomas admitidos en pantalla, 171  
 imágenes distorsionadas en etiquetas, 260  
 imprimir formato de prueba, 140  
 informar daños de envío, 28  
 iniciar calibración manual, 127  
 inspeccionar si hay daños de envío, 28  
 instalación del controlador, 62  
 intensidad del sensor de Tomar etiqueta, 181  
 interfaces de comunicación, 62  
 Intérprete Basic de Zebra (ZBI)  
 activación, 131  
 detener un programa ZBI, 133  
 ejecutar un programa ZBI, 132

**L**

la impresora se bloquea, 263  
 límites de exposición a la radiación, 4  
 límites de exposición a la radiación de la FCC, 4  
 limpieza  
 cabezal de impresión y rodillo portapapeles, 216  
 compartimiento del papel, 215  
 exterior de la impresora, 215  
 módulo del cortador, 220  
 programa de limpieza recomendado, 214  
 sensores, 215  
**LONGITUD**  
 cómo configurar como acción al encender, 123  
 cómo configurar como acción de cierre  
 de cabezal, 124  
 longitud de la etiqueta  
 cómo configurar el máximo, 114  
 especificaciones, 288

longitud máxima de la etiqueta  
 cómo configurarla, 114  
 especificaciones, 288  
 los mensajes de error, 246  
 lubricación, 228  
 luces de la trayectoria del papel, 117  
 luces indicadoras  
 combinadas con mensajes de error, 246  
 solución de problemas, 244  
 ubicación, 18  
 luces internas, 116  
 luz de cubierta abierta, 116

**M**

marcas de tinta corrida en las etiquetas, 252  
 máscara de subred  
 cableada, 145  
 inalámbrica, 150  
 memoria, 282  
 memoria de la impresora, 282  
 mensaje  
 THERMISTOR PREPLACE PRINTHEAD  
 (TERMISTOR, REEMPLAZAR CABEZAL  
 DE IMPRESIÓN), 248  
 mensaje HEAD COLD (CABEZAL FRÍO)  
 como único mensaje, 249  
 repetición cíclica con otros mensajes, 248  
 mensaje HEAD OPEN (CABEZAL ABIERTO), 246  
 mensaje MEDIA OUT (FALTA DE PAPEL), 246  
 mensaje OUT OF MEMORY (FALTA MEMORIA), 250  
 mensaje PH NOT AUTHENTICATED (CABEZAL  
 DE IMPRESIÓN NO AUTENTICADO), 247  
 mensaje PRINT HEAD OVERTEMP (CABEZAL  
 DE IMPRESIÓN MUY CALIENTE), 248  
 mensaje RIBBON IN (CINTA INSTALADA), 246  
 mensaje RIBBON OUT (SIN CINTA), 247  
 mensaje THERMISTOR REPLACE PRINTHEAD  
 (TERMISTOR, REEMPLAZAR CABEZAL  
 DE IMPRESIÓN), 248  
 mensajes de error en la pantalla LCD, 246  
 Menú Inicio, 21  
 menús de usuario, 102  
 modalidad de reimpresión, 113  
 Modo Autodespegue  
 pasos finales para la carga de papel, 39  
 pasos preliminares para la carga de papel, 32  
 modo Autodespegue  
 cómo seleccionarlo, 110  
 Modo Cortador  
 pasos finales para la carga de papel, 53  
 pasos preliminares para la carga de papel, 32

modo Cortador  
 cómo seleccionarlo, 110  
 limpiar el módulo del cortador, 220  
 mensaje CUT ERROR (ERROR EN CORTE), 249

Modo Corte manual  
 pasos finales para la carga de papel, 35  
 pasos preliminares para la carga de papel, 32

modo Corte manual  
 cómo seleccionarlo, 110

modo de Impresión térmica directa  
 configuración, 107

modo de Transferencia térmica  
 configuración, 107

modo Diagnóstico  
 cómo iniciarlo, 128  
 descripción general, 241

modo Diagnóstico de comunicaciones  
 descripción general, 241

modo diagnóstico de comunicaciones  
 cómo iniciarlo, 128

modo Energy Star  
 configuración, 129

modo inactivo  
 configuración del modo Energy Star, 129  
 consumo de energía, 283

Modo Rebobinado  
 descripción y trayectoria del papel, 31  
 pasos finales para la carga de papel, 46  
 pasos preliminares para la carga de papel, 32

Modo Tensado del papel protector  
 pasos finales para la carga de papel, 39  
 pasos preliminares para la carga de papel, 32

modo Tensado del papel protector  
 cómo seleccionarlo, 110

modo Térmico directo  
 prueba de marcar el papel, 24

modo Transferencia térmica  
 prueba de marcar el papel, 24

modo ZPL, 176

## N

navegación, 19

Near Field Communication (NFC)  
 limitaciones y requisitos, 281

no se imprimieron las etiquetas, 260

número de puerto TCP  
 alternativo, 158

primario, 157

número de puerto TCP alternativo, 158

número de puerto TCP primario, 157

## O

opción de menú ESTACIÓN DE IMPRESIÓN, 137  
 opción del menú información de impresión, 119

## P

Páginas de Ayuda rápida, 230

panel de control  
 función del botón, 18  
 mensajes de error, 246  
 navegación, 19  
 ubicación, 14

pantalla  
 caracteres faltantes, 261  
 cómo cambiar un idioma desconocido, 261  
 idioma en pantalla, 171  
 imprimir desde la pantalla, 137  
 ubicación en el panel de control, 18

papel  
 etiquetas “inteligentes” RFID, 22  
 papel de rollo continuo, 23  
 papel de rollo no continuo, 23  
 perforado, 23  
 plegado, 23  
 suministro de rótulos, 22  
 tipos de papel, 22

papel con  
 marcas negras, 23

papel con marca negra  
 seleccionar tipo de papel, 106

papel con marcas negras  
 descrito, 23  
 especificaciones, 289

papel continuo  
 descrito, 23  
 seleccionar tipo de papel, 106

papel de  
 banda, 23

papel de banda  
 descrito, 23

papel de rollo  
 carga, 33  
 descrito, 22

papel no continuo  
 descrito, 23  
 problemas con etiquetas, 263  
 seleccionar tipo de papel, 106

papel perforado, 23

papel plegado  
 descrito, 23

papel plegado continuo  
 carga, 33

parámetros de la impresora, 102  
 paridad, 184  
 pérdida de registro durante la impresión, 253  
 perfil de sensor, 119  
 piezas de reemplazo, 228  
 posición de lectura/escritura, 165  
 posición de programación, 165  
 potencia de escritura, 168  
 potencia de lectura, 167  
 problemas de comunicaciones, 260  
 programa de limpieza de rutina, 214  
 prueba adhesiva para revestimiento de la cinta, 25  
 prueba de marcar
 

- lado revestido de la cinta, 25
- tipo de papel, 24

 prueba de marcar el papel, 24  
 puerta de enlace
 

- cableada, 146
- inalámbrica, 151

 puerta de enlace predeterminada
 

- cableada, 146
- inalámbrica, 151

 puerta del compartimiento del papel, 14  
 puerto de aplicador
 

- especificaciones, 282

 puerto del aplicador
 

- error del aplicador en pausa, 139

 puerto paralelo
 

- características de la conexión paralelo, 282
- conectar la impresora a una computadora, 75

 puerto serie
 

- conectar la impresora a una computadora, 75
- limitaciones y requisitos, 281

 puerto USB
 

- conectar la impresora a una computadora, 71
- especificaciones, 281
- limitaciones y requisitos, 281

## R

recargar la última configuración guardada, 125  
 reciclar piezas de la impresora, 228  
 Reflejo de USB, 270  
 registro, 287  
 registro erróneo de etiquetas, 253  
 registro horizontal, 287  
 registro vertical, 287  
 reinicializar servidor de impresión, 125  
 requisitos de espacio, 30  
 requisitos de ventilación, 30  
 resolución IP (protocolo IP)
 

- cableado, 147
- inalámbrica, 152

responsabilidad, 2  
 restablecer la configuración de red, 159  
 restablecer la impresora a los valores predeterminados, 125  
 restablecer los valores predeterminados, 125  
 restablecer valores predeterminados, 125  
 RFID

calibración de rótulos, 162  
 contador vacío de etiquetas, 170  
 contador válido de etiquetas, 169  
 elemento de antena, 166  
 estado, 161  
 etiquetas “inteligentes”, 22  
 leer datos de RFID, 163  
 posición de programación, 165  
 potencia de escritura, 168  
 potencia de lectura, 167  
 prueba de RFID, 164  
 solución de problemas, 257

## S

selección de sensor de papel, 178  
 selección de sensor reflectante, 178  
 selección de sensor transmisor, 178  
 selección de tipo de sensor, 178  
 selección del modo de impresión, 110  
 selección del sitio para la impresora, 30  
 selección del tipo de papel, 106  
 señal, 156  
 sensibilidad del sensor de etiqueta, 180  
 sensores
 

- ajustar automáticamente, 179
- ajustar posición del sensor, 205
- interpretación del perfil de sensor, 242
- selección de sensor transmisor, 178

 servidor de impresión
 

- canal, 155
- dirección MAC cableada, 148
- dirección MAC inalámbrica, 153
- direcciones IP cableadas, 144
- direcciones IP inalámbricas, 149
- ESSID, 154
- etiqueta de configuración de red, 119
- protocolo IP (cableado), 147
- protocolo IP (inalámbrico), 152
- puertas de enlace cableadas predeterminadas, 146
- puertas de enlace inalámbricas predeterminadas, 151
- restablecer la configuración de red, 159
- seleccionar servidor de impresión primario, 143
- señal, 156
- ver servidor de impresión activo, 142

servidor de impresión cableado  
*Consulte también* servidor de impresión  
 limitaciones y requisitos, 281

servidor de impresión inalámbrico  
 canal, 155  
 especificaciones, 285  
 ESSID, 154  
 limitaciones y requisitos, 282  
 señal, 156

sin impresión en etiquetas, 253

SIN MOVIMIENTO  
 cómo configurar como acción al encender, 123  
 cómo configurar como acción de cierre  
 de cabezal, 124

smart phone  
 páginas de Ayuda rápida, 230  
 uso de la función Print Touch, 276

solución de problemas  
 luces indicadoras, 244  
 mensajes de error, 246  
 problemas con la cinta, 255  
 problemas de calidad de impresión, 251  
 problemas de comunicaciones, 260  
 problemas de RFID, 257  
 pruebas de diagnóstico, 233

suministro de rótulos, 22

superficie para la impresora, 30

## T

temperatura  
 funcionamiento y almacenamiento, 280  
 operación, 30

tipos de papel  
 etiquetas “inteligentes” RFID, 22  
 papel con marcas negras, 23  
 papel de banda, 23  
 papel de rollo continuo, 23  
 papel de rollo no continuo, 23  
 papel perforado, 23  
 papel plegado, 23  
 suministro de rótulos, 22

## U

ubicación de la impresora, 30  
 última configuración guardada, 125

USB host  
 almacenar archivos en una unidad flash, 136  
 archivos necesarios para los ejercicios, 266  
 convenciones de nomenclatura de archivos, 269  
 copiar archivos a/desde una unidad flash USB, 273  
 copiar archivos desde una unidad flash, 135  
 copiar archivos y crear un reflejo de USB, 270  
 copiar información de configuración en un  
 dispositivo USB, 130  
 imprimir desde una unidad flash, 134  
 imprimir formato de etiqueta desde una unidad  
 flash USB, 272  
 imprimir un formato de etiqueta desde  
 la pantalla, 137  
 ingresar datos con un teclado USB, 275  
 la impresora no reconoce el dispositivo USB, 261  
 limitaciones y requisitos, 280  
 ubicación del puerto, 269

uso de dispositivo de entrada humana (HID), 137

## V

valores predeterminados de fábrica, 125  
 valores predeterminados de red, 125

velocidad de impresión  
 cómo especificarla, 105  
 encontrar la configuración óptima, 239  
 especificaciones, 286

velocidad de transmisión en baudios, 182

versión de Wireless Markup Language (WML), 186

Visibility Agent, 160

vista exterior de la impresora, 14

visual. pausa  
 acceso al menú de inicio desde la pantalla Visual.  
 pausa, 19

visualización pausa  
 cómo cambiar lo que se muestra, 122  
 información mostrada, 21

## Z

Zebra Printer Connector, 160

Zebra Setup Utilities (Utilidades de configuración de  
 Zebra)  
 imprimir una etiqueta de prueba, 97  
 instalación, 62

ZebraDesigner, 99



**Oficina central de la empresa**

Zebra Technologies Corporation  
3 Overlook Point  
Lincolnshire, IL 60069 EE. UU.  
Tel.: +1 847 634 6700  
Número de teléfono gratuito: +1 866 230 9494  
F: +1 847 913 8766

<http://www.zebra.com>

**ULINE**

800-295-5510

0720 IH-7378VND



# ZT600 Series

Imprimante industrielle



## Guide d'utilisation



**ZEBRA**

**ULINE**

1-800-295-5510

0720 IH-7378VND

P1088680-021

© 2017 ZIH Corp. et/ou ses sociétés affiliées. Tous droits réservés. ZEBRA et le logo Zebra sont des marques commerciales de ZIH Corp., déposées dans de nombreuses juridictions à travers le monde. Toutes les autres marques sont la propriété de leurs détenteurs respectifs.

Les informations contenues dans ce document sont susceptibles d'être modifiées sans préavis.

Pour plus d'informations concernant les déclarations légales, consultez les pages suivantes :

DROITS D'AUTEUR : [www.zebra.com/copyright](http://www.zebra.com/copyright)

GARANTIE : [www.zebra.com/warranty](http://www.zebra.com/warranty)

CONTRAT DE LICENCE UTILISATEUR FINAL : [www.zebra.com/eula](http://www.zebra.com/eula)

LOGICIEL : [www.zebra.com/linkoslegal](http://www.zebra.com/linkoslegal)

### Conditions d'utilisation

**Déclaration d'exclusivité** Ce manuel contient des informations exclusives appartenant à Zebra Technologies Corporation et à ses filiales (« Zebra Technologies »). Il est destiné exclusivement à informer le personnel chargé du fonctionnement et de la maintenance de l'équipement décrit ici. Ces informations exclusives ne doivent être utilisées, reproduites ou divulguées à aucun tiers, et pour quelque but que ce soit, sans l'autorisation écrite expresse de Zebra Technologies.

**Amélioration du produit** L'amélioration constante des produits fait partie de la politique de Zebra Technologies. Tous les designs et spécifications sont soumis à des modifications sans préavis.

**Exclusion de responsabilité** Zebra Technologies s'efforce de publier des spécifications et des manuels techniques exacts. Toutefois, des erreurs peuvent se produire. Zebra Technologies se réserve le droit de corriger ces erreurs et décline toute responsabilité en la matière.

**Limitation de responsabilité** Zebra Technologies ou toute autre partie impliquée dans la création, la production ou la fourniture du produit joint (y compris matériel et logiciel) ne pourra être tenue pour responsable de dommages quels qu'ils soient (y compris, notamment, les dommages consécutifs, notamment la perte de bénéfices ou de données, l'interruption d'activité) résultant de, ou liés à l'utilisation du produit ou à l'impossibilité de l'utiliser, même si Zebra Technologies a eu connaissance de la possibilité de tels dommages. Certaines juridictions n'acceptent pas l'exclusion ou la limitation des dommages accidentels ou consécutifs, par conséquent, la limitation ou l'exclusion ci-dessus peut ne pas s'appliquer à votre situation.



**ULINE**

1-800-295-5510

0720 IH-7378VND



# Déclaration de conformité

Nous certifions que les imprimantes Zebra

**ZT610™ et ZT620™**

fabriquées par

**Zebra Technologies Corporation**

3 Overlook Point

Lincolnshire, Illinois 60069, États-Unis

ont été déclarées conformes aux normes techniques de la FCC relatives à une

**utilisation personnelle, professionnelle, commerciale et industrielle**

à condition que le matériel ne subisse aucune modification non autorisée  
et qu'il soit entretenu et manipulé correctement.

**ULINE**

1-800-295-5510

0720 IH-7378VND

## Informations sur la conformité

### Déclaration de conformité à la FCC

Cet appareil est conforme aux règles définies dans la section 15 de la réglementation de la FCC. Son utilisation est soumise aux deux conditions suivantes :

1. il ne doit pas causer de perturbations électromagnétiques et
2. il doit accepter toutes les perturbations reçues, y compris celles susceptibles d'occasionner un fonctionnement indésirable.



**Remarque** • Cet équipement a été testé et déclaré conforme aux restrictions d'exploitation des appareils numériques de classe B, Section 15 de la réglementation de la FCC. Ces limites ont été conçues afin de fournir une protection raisonnable contre les interférences nuisibles dans une installation résidentielle. Cet équipement génère, utilise et peut émettre des énergies de fréquence radio qui, si l'appareil n'est pas installé et utilisé conformément à ces instructions, peuvent provoquer des interférences nuisibles avec les communications radio. Toutefois, aucune installation ne peut garantir l'absence d'interférences. Si cet équipement provoque des interférences nuisibles à la réception de télévision ou de radio, ce qui peut être déterminé en mettant l'équipement successivement hors tension puis sous tension, l'utilisateur est invité à essayer de corriger les interférences en prenant l'une ou plusieurs des mesures suivantes :

- Réorientez ou déplacez l'antenne de réception.
- Éloignez l'appareil du récepteur.
- Branchez l'appareil sur une prise différente de celle du récepteur, sur un circuit distinct.
- Demandez l'assistance d'un distributeur ou d'un technicien radio/TV expérimenté.

### Déclaration de conformité aux directives de la FCC sur l'exposition aux radiations (pour les imprimantes avec codeurs RFID)

Ce matériel respecte les limites d'exposition aux radiations définies par la FCC pour un environnement non contrôlé. Lors de son installation et de son utilisation, une distance d'au moins 20 cm doit séparer l'élément rayonnant de votre personne.

Ce transmetteur ne doit pas être situé à proximité d'une autre antenne ou d'un autre transmetteur, ni utilisé conjointement.

### Déclaration de conformité au DOC du Canada

Cet appareil numérique de classe B est conforme à la norme ICES-003 du Canada.

Cet appareil numérique de classe B est conforme à la norme NMB-003 du Canada.

**ULINE**

1-800-295-5510

0720 IH-7378VND

# Sommaire

<b>Déclaration de conformité</b> .....	<b>3</b>
Informations sur la conformité .....	4
<b>À propos de ce document</b> .....	<b>11</b>
Public concerné .....	12
Organisation de ce manuel .....	12
<b>1 • Introduction</b> .....	<b>13</b>
Composants de l'imprimante .....	14
Options de l'imprimante .....	15
Interfaces de communication .....	16
Câbles de données .....	17
Panneau de commande standard .....	18
Navigation dans les écrans en affichage standard .....	19
Affichage inactif, Menu Accueil et menus utilisateur en affichage standard .....	21
Types de papier .....	22
Présentation du ruban .....	24
Conditions d'utilisation d'un ruban .....	24
Face enduite du ruban .....	24
<b>2 • Installation et fonctionnement de l'imprimante</b> .....	<b>27</b>
Manipulation de l'Imprimante .....	28
Déballage et inspection de l'Imprimante .....	28
Stockage de l'Imprimante .....	28
Réparation de l'imprimante .....	28
Expédition de l'Imprimante .....	29
Choix de l'emplacement de l'Imprimante .....	30
Sélection du mode d'impression .....	31
Chargement du papier .....	32

Insertion du papier dans l'imprimante	32
Mode Déchirement	35
Mode Prédécollage ou mode Applicateur	39
Mode Réenrouleur	46
Mode Coupe ou mode Coupe retardée	53
Chargement du ruban	58
Installation du pilote d'impression et connexion de l'imprimante à l'ordinateur	62
Installation de Zebra Setup Utilities	62
Connexion de l'imprimante à l'ordinateur via un port USB	71
Connexion de l'imprimante à un ordinateur via un port série ou parallèle	75
Connexion au réseau via le port Ethernet de l'imprimante	83
Connexion de l'imprimante à votre réseau sans fil	91
Impression d'une étiquette de test et réglages	97
<b>3 • Configuration et réglage de l'imprimante</b>	<b>101</b>
Réglage des paramètres de l'imprimante	102
CONTRASTE	104
VITESSE TETE	105
TYPE MEDIA	106
TYPE IMPRESSION	107
POS ARRET	108
LARGEUR IMPR	109
PRESENTATION EN	110
MARGE HAUTE	111
MARGE GAUCHE	112
MODE REIMPR.	113
LONG ÉTIQU MAX	114
LUMIÈRE CAPOT	116
VOYANTS PASS PAP	117
VOYANTS PASS RUB	118
INFOS IMPRESSION	119
AFFICH INACTIF	122
ACTION DÉMARRAGE	123
ACTION FERM TÊTE	124
CONFIG DEFAULT	125
CAL PAPIER/RUBAN	127
MODE DIAGNOSTIC	128
ENERGY STAR	129
INFO CONF SUR USB	130
ZBI ACTIVÉ ?	131
EXÉCUTER PROG ZBI	132
ARRÊT PROG ZBI	133
IMPR. FICHER USB	134

COP FICH USB S/ E: .....	135
COP FICH E: S/ USB .....	136
POSTE D'IMPRESSION .....	137
PROTECT. MOT DE PASS .....	138
ERR APPLCTR: PAUSE .....	139
FORMAT TEST IMP .....	140
SERV. IMPR. ACTIF .....	142
RÉSEAU PRIMAIRE .....	143
ADRESSE IP CÂBLÉE .....	144
MASQ SS-RÉS CÂBLÉ .....	145
PASSER. CÂBLÉE .....	146
PROTOCOLE IP CÂBLÉ .....	147
ADRESSE MAC CÂBLÉE .....	148
ADRESSE IP WLAN .....	149
MASQ SS-RÉS WLAN .....	150
PASSERELLE WLAN .....	151
PROTOCOLE IP WLAN .....	152
ADRESSE MAC WLAN .....	153
ID SERV PROL .....	154
CANAL .....	155
SIGNAL .....	156
PORT IP .....	157
AUTRE PORT IP .....	158
REINITIAL. CARTE .....	159
AGENT VISIBILITÉ .....	160
ÉTAT RFID .....	161
CALIBRAGE RFID .....	162
DONNÉES RFID .....	163
TEST RFID .....	164
POS. PROG. RFID .....	165
ANTENNE RFID .....	166
PUIS. LECT. RFID .....	167
PUIS. ÉCRI. RFID .....	168
NB RFID VALIDE .....	169
NB RFID VIDE .....	170
LANGAGE .....	171
LANGAGE COMMANDE .....	172
CAR. COMMANDE .....	173
CARAC. CONTROLE .....	174
CAR SEPARATEUR .....	175
MODE ZPL .....	176
PÉRIPH. VIRTUEL .....	177

TYPE DE CELLULE .....	178
DÉTECT. AJUST AUTO .....	179
DÉTECTEUR ÉTIQU .....	180
PRISE ETIQ. ....	181
VITESSE EN BAUDS .....	182
BITS DONNEES .....	183
PARITE .....	184
PROTOCOLE SYSTEM .....	185
WML .....	186
ADRESSE BLUETOOTH .....	187
MODE .....	188
DÉTECTION .....	189
CONNECTEE .....	190
VERSION SPÉC BT .....	191
MODE SÉCU. MIN. ....	192
Calibrage des cellules ruban et papier .....	193
Réglage de la pression de la tête d'impression et de la position des leviers .....	199
Réglage de la position des leviers .....	200
Réglage de la pression de la tête d'impression .....	202
Réglage de la position de la cellule .....	205
Retrait d'un ruban usagé .....	206
Installation du réenrouleur/récupérateur de support .....	208
Mode Prédécollage/mode Applicateur .....	208
Mode Réenrouleur .....	210
<b>4 • Maintenance de routine .....</b>	<b>213</b>
Programme et procédures de nettoyage .....	214
Nettoyage de l'extérieur, du compartiment papier et des cellules .....	215
Nettoyage de la tête d'impression et du contre-rouleau .....	216
Nettoyage du module de coupe .....	220
Remplacement des composants de l'Imprimante .....	228
Commande de pièces de rechange .....	228
Recyclage des composants de l'Imprimante .....	228
Lubrification .....	228
<b>5 • Diagnostic et dépannage .....</b>	<b>229</b>
Codes QR et pages d'aide rapide .....	230
Évaluation de la qualité des codes à barres .....	231
Tests de diagnostic de l'imprimante .....	233
Option de format de test d'impression .....	234
Test d'optimisation du contraste et de la vitesse d'impression .....	239
Test de diagnostic des communications .....	241
Profil de cellule .....	242



Voyants .....	244
Dépannage .....	246
Alertes et messages d'erreur .....	246
Problèmes d'impression .....	250
Problèmes de ruban .....	254
Problèmes RFID .....	256
Problèmes de communication .....	259
Problèmes divers .....	260
<b>6 • Utilisation des ports USB et de la technologie NFC .....</b>	<b>263</b>
Éléments requis pour les exercices .....	264
Fichiers pour les exercices .....	264
Hôte USB .....	267
Exercice 1 : Copie de fichiers sur une clé USB et duplication USB .....	268
Exercice 2 : Impression d'un format d'étiquette à partir d'une clé USB .....	270
Exercice 3 : Copie de fichiers vers/à partir d'une clé USB .....	271
Exercice 4 : Saisie de données pour un fichier stocké avec un clavier USB et impression d'une étiquette .....	273
Near Field Communication (NFC, communication en champ proche) .....	274
Exercice 5 : Saisie de données pour un fichier stocké avec un périphérique intelligent et impression d'une étiquette .....	275
<b>7 • Spécifications .....</b>	<b>277</b>
Spécifications générales .....	278
Spécifications de l'alimentation .....	281
Spécifications du cordon d'alimentation .....	282
Spécifications de la connexion sans fil .....	283
Spécifications relatives à l'impression .....	284
Spécifications du papier .....	286
Spécifications du ruban .....	288
<b>Glossaire .....</b>	<b>289</b>
<b>Index .....</b>	<b>293</b>



Remarques • \_\_\_\_\_

\_\_\_\_\_

\_\_\_\_\_

\_\_\_\_\_

\_\_\_\_\_

\_\_\_\_\_

\_\_\_\_\_

\_\_\_\_\_

\_\_\_\_\_

\_\_\_\_\_

# À propos de ce document

Cette section contient des coordonnées utiles, décrit la structure et l'organisation du document, et renvoie à d'autres documents de référence.

## Sommaire

Public concerné .....	12
Organisation de ce manuel .....	12



## Public concerné

Ce Guide d'utilisation est destiné aux personnes chargées de la maintenance, de la mise à niveau ou du dépannage de l'imprimante.

## Organisation de ce manuel

Ce Guide d'utilisation est organisé comme suit :

Section	Description
<i>Introduction à la page 13</i>	Cette section contient des coordonnées utiles, décrit la structure et l'organisation du document, et renvoie à d'autres documents de référence.
<i>Installation et fonctionnement de l'imprimante à la page 27</i>	Cette section explique comment installer et faire fonctionner l'imprimante lors de sa première utilisation.
<i>Configuration et réglage de l'imprimante à la page 101</i>	Cette section explique comment configurer et régler l'imprimante.
<i>Maintenance de routine à la page 213</i>	Cette section décrit les procédures de maintenance et de nettoyage de routine.
<i>Diagnostic et dépannage à la page 229</i>	Cette section fournit des tests de diagnostic et d'autres informations permettant d'optimiser l'impression ou de résoudre les problèmes de votre imprimante.
<i>Utilisation des ports USB et de la technologie NFC à la page 263</i>	Dans cette section, vous découvrirez comment utiliser les ports USB de votre imprimante Zebra et la technologie Near Field Communication (NFC) dont elle est dotée. Les informations sont présentées sous forme d'exercices, certaines commandes SGD sont répertoriées pour les utilisateurs avancés.
<i>Spécifications à la page 277</i>	Cette section répertorie les spécifications générales relatives à l'imprimante, à l'impression, au ruban et au papier.
<i>Glossaire à la page 289</i>	Le glossaire fournit une liste de termes courants.

# Introduction

Cette section propose une présentation générale de l'imprimante et de ses composants.

## Sommaire

Options de l'imprimante . . . . .	15
Interfaces de communication . . . . .	16
Composants de l'imprimante . . . . .	14
Panneau de commande standard . . . . .	18
Navigation dans les écrans en affichage standard . . . . .	19
Affichage inactif, Menu Accueil et menus utilisateur en affichage standard. . . . .	21
Types de papier . . . . .	22
Présentation du ruban . . . . .	24
Conditions d'utilisation d'un ruban . . . . .	24
Face enduite du ruban . . . . .	24

## Composants de l'imprimante

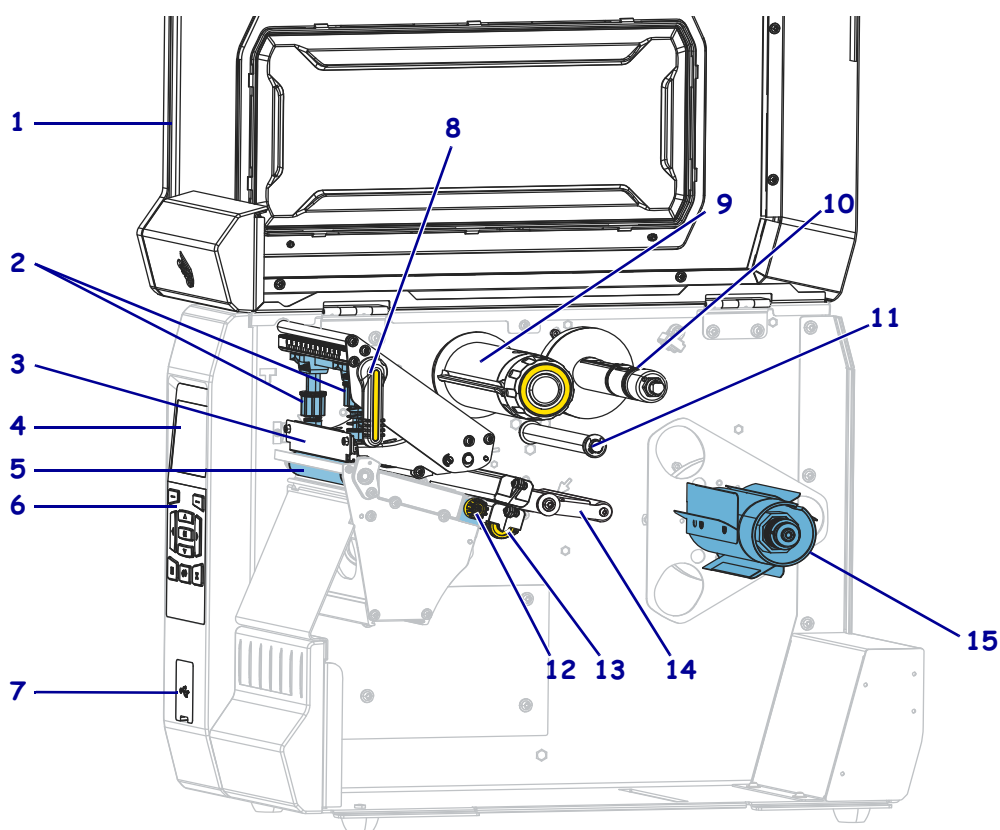


**Remarque** • Chaque composant de l'imprimante est associé à une couleur.

- Les points de contact que vous devrez manipuler sont couleur **or** à l'intérieur de l'imprimante et sont surlignés couleur **or** dans les illustrations de ce manuel.
- Certains composants apparaissent en **bleu clair** dans les illustrations de ce manuel, pour une meilleure visibilité.

La **Figure 1** identifie les composants situés à l'intérieur du compartiment papier d'une imprimante standard. Votre imprimante peut être légèrement différente en fonction du modèle d'imprimante et des options installées. Les composants numérotés sont décrits dans les procédures présentées dans ce manuel.

**Figure 1 • Composants de l'imprimante**



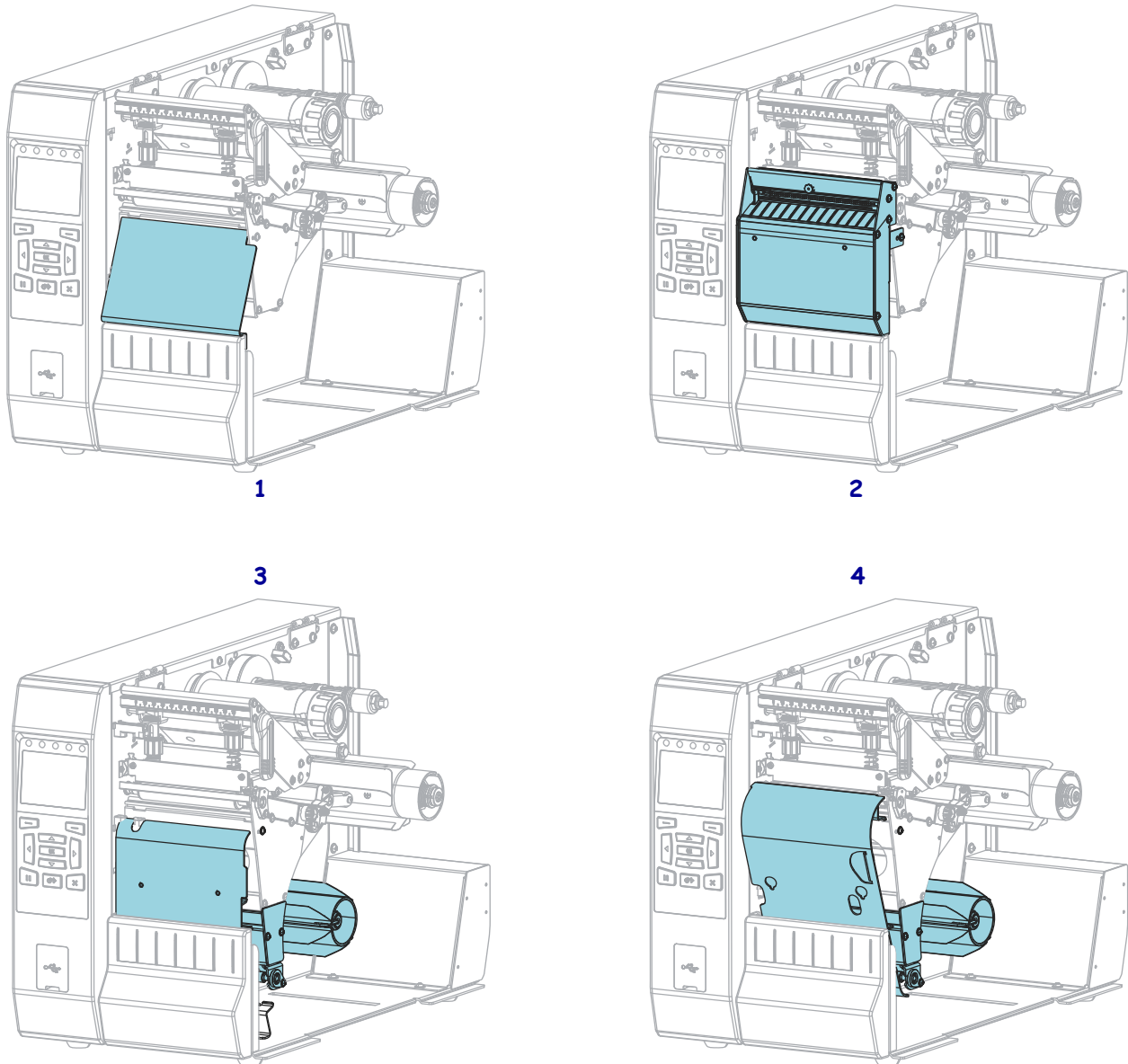
<b>1</b>	Panneau d'accès aux supports
<b>2</b>	Leviers de pression de la tête
<b>3</b>	Tête d'impression
<b>4</b>	Écran du panneau de commande
<b>5</b>	Contre-rouleau
<b>6</b>	Panneau de commande
<b>7</b>	Port USB
<b>8</b>	Levier d'ouverture de tête

<b>9</b>	Mandrin récupérateur du ruban
<b>10</b>	Axe du rouleau de ruban
<b>11</b>	Rouleau du guide du ruban
<b>12</b>	Bouton de réglage du guide de papier
<b>13</b>	Molette de réglage des cellules papier à transmission
<b>14</b>	Rouleau danseur du papier
<b>15</b>	Porte-rouleau de papier

## Options de l'imprimante

Les options de l'imprimante sont indiquées dans la [Figure 2](#). Pour plus d'informations sur les modes d'impression compatibles avec les options de l'imprimante, voir [Sélection du mode d'impression](#) à la page 31.

Figure 2 • Options de l'imprimante



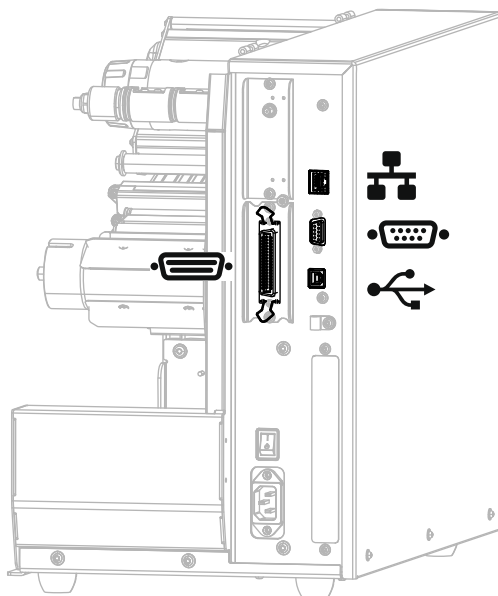
1	Déchirement (standard)
2	Option Coupe
3	Option Réenrouleur définie pour le mode Prédécollage
4	Option Réenrouleur définie pour le mode Réenrouleur





## Interfaces de communication

Les connecteurs d'interface de communication disponibles sont présentés dans la [Figure 3](#). Votre imprimante n'a pas forcément toutes les connexions illustrées ici. Une option de serveur d'impression sans fil ZebraNet peut également être disponible sur votre imprimante. Vous pouvez envoyer des formats d'étiquette à l'imprimante via l'une des interfaces de communication disponibles.

- Pour des informations détaillées sur les types de connexion disponibles, reportez-vous à la section [Spécifications des interfaces de communication](#) à la page 278.
- Pour savoir quand et comment connecter votre ordinateur à une ou plusieurs interfaces de communication, reportez-vous à la section [Installation du pilote d'impression et connexion de l'imprimante à l'ordinateur](#) à la page 62.

Figure 3 • Emplacement des interfaces de communication



	Port parallèle
	Serveur d'impression Ethernet câblé interne
	Port série
	Port USB



## Câbles de données

Vous devez fournir tous les câbles de données de l'application. Il est recommandé d'utiliser des manettes pour diminuer la tension sur le câble.

Il n'est pas nécessaire d'utiliser des câbles Ethernet blindés, mais tous les autres câbles de données doivent être entièrement blindés et équipés de connecteurs à coquille métallique ou métallisés. L'utilisation de câbles non blindés risque d'entraîner le dépassement des limites réglementaires régissant l'émission de parasites radioélectriques.

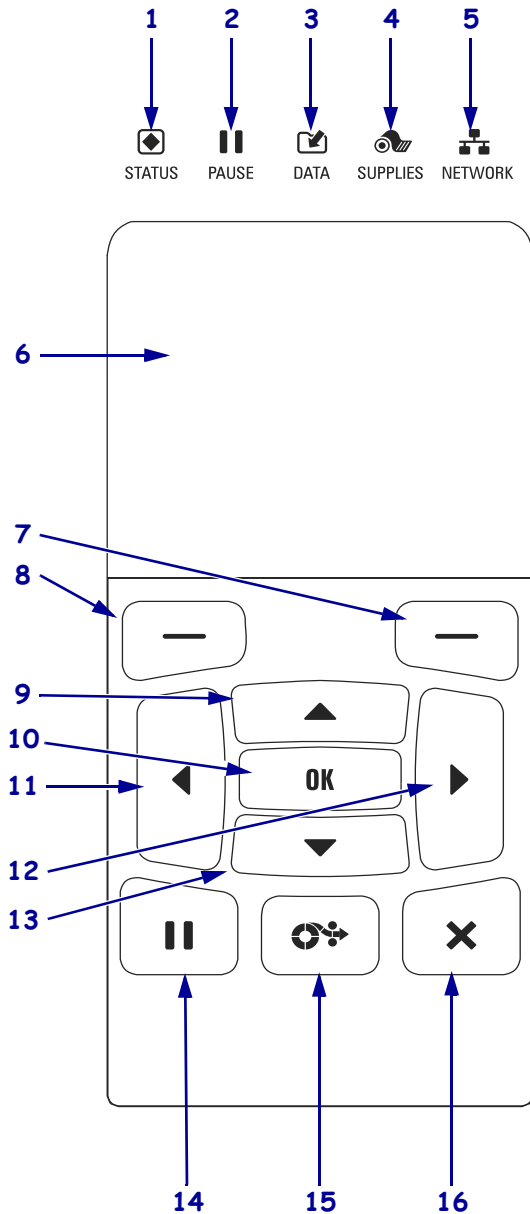
Pour minimiser la présence de parasites radioélectriques dans le câble :

- Les câbles de données doivent être aussi courts que possible.
- Vous ne devez pas regrouper les câbles de données dans le même faisceau que les cordons d'alimentation.
- Vous ne devez pas attacher les câbles de données aux gaines des câbles d'alimentation.

## Panneau de commande standard

Le panneau de commande standard indique l'état actuel de l'imprimante et permet à l'utilisateur de contrôler les opérations courantes de l'imprimante. Vous pouvez acheter un panneau de commande couleur disponible en option. Son fonctionnement étant différent, il est décrit dans un guide d'utilisation distinct.

Figure 4 • Panneau de commande



1	<b>Voyant STATUS (État)</b>	Ces <b>voyants</b> indiquent l'état actuel de l'imprimante. Pour plus d'informations, reportez-vous au <i>Voyants à la page 244.</i>
2	<b>Voyant PAUSE</b>	
3	<b>Voyant DATA (Données)</b>	
4	<b>Voyant SUPPLIES (Fournitures)</b>	
5	<b>Voyant NETWORK (Réseau)</b>	
6	L' <b>écran</b> affiche l'état actuel de l'imprimante et permet à l'utilisateur de parcourir les menus.	
7	<b>Bouton droit de sélection</b>	Ces boutons exécutent les commandes qui apparaissent juste au-dessus, à l'écran.
8	<b>Bouton gauche de sélection</b>	
9	La <b>flèche vers le haut</b> modifie les valeurs des paramètres. Elle permet notamment d'augmenter une valeur ou de faire défiler des options.	
10	Le <b>bouton OK</b> permet de sélectionner ou de confirmer les informations affichées à l'écran.	
11	La <b>flèche vers la gauche</b> , active uniquement dans les menus, permet de naviguer vers la gauche.	
12	La <b>flèche vers la droite</b> , active uniquement dans les menus, permet de naviguer vers la droite.	
13	La <b>flèche vers le bas</b> modifie les valeurs des paramètres. Elle permet notamment de réduire une valeur ou de faire défiler des options.	
14	Le <b>bouton PAUSE</b> lance ou arrête une opération de l'imprimante.	
15	À chaque pression du <b>bouton FEED (Avance)</b> , l'imprimante fait avancer une étiquette vierge.	
16	Le <b>bouton CANCEL (Annuler)</b> annule les formats d'étiquette lorsque l'imprimante est en pause. <ul style="list-style-type: none"> <li>• Appuyez une fois pour annuler le format d'étiquette suivant.</li> <li>• Pour annuler tous les formats d'étiquette, appuyez sur ce bouton et maintenez-le enfoncé pendant 2 secondes.</li> </ul>	

## Navigation dans les écrans en affichage standard

Le [Tableau 1](#) affiche les éléments suivants :

- Options de navigation parmi les écrans du panneau de commande
- Méthodes de sélection ou de modification des informations affichées à l'écran

**Tableau 1 • Navigation**

### Affichage inactif



Dans l'écran d'affichage inactif ([Figure 5 à la page 21](#)), appuyez sur le bouton gauche de sélection pour accéder au menu Accueil de l'imprimante ([Figure 6 à la page 21](#)).

### Menu Accueil



Pour passer d'une icône à l'autre dans le menu Accueil, appuyez sur l'une ou l'autre des flèches.

Lorsqu'une icône est sélectionnée, ses couleurs sont inversées pour la mettre en évidence.



**Icône du menu  
PARAMETRES**



**Icône du menu  
PARAMETRES en  
surbrillance**



Pour sélectionner l'icône de menu mise en surbrillance et ouvrir le menu, appuyez sur OK.



Appuyez sur le bouton gauche de sélection pour quitter le menu Accueil et retourner à l'écran d'affichage inactif. L'imprimante retourne automatiquement à l'écran d'affichage inactif après 15 secondes d'inactivité dans le menu Accueil.

Tableau 1 • Navigation (Suite)

Menus utilisateur



Appuyez sur le bouton gauche de sélection pour revenir au menu Accueil. L'imprimante revient automatiquement au menu Accueil après 15 secondes d'inactivité dans un menu utilisateur.



▲ et ▼ indiquent qu'une valeur peut être modifiée. Chacune des modifications que vous effectuez est immédiatement enregistrée.

Appuyez sur la flèche vers le haut ou sur la flèche vers le bas pour faire défiler les valeurs acceptées.



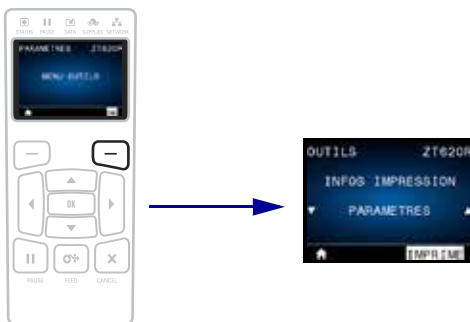
Pour faire défiler les options d'un menu utilisateur, appuyez sur la flèche vers la gauche ou sur la flèche vers la droite.



Un mot dans l'angle inférieur droit de l'écran indique une action disponible.

Appuyez sur OK ou sur le bouton droit de sélection pour effectuer l'action indiquée.

Raccourcis de menus



Pour passer au menu utilisateur suivant, appuyez sur OK ou sur le bouton droit de sélection pour sélectionner OK.



Pour continuer à naviguer dans le même menu utilisateur, appuyez sur la flèche vers la gauche ou sur la flèche vers la droite.


## Affichage inactif, Menu Accueil et menus utilisateur en affichage standard

Le panneau de commande de l'imprimante comprend un écran, dans lequel vous pouvez visualiser l'état de l'imprimante ou modifier ses paramètres de fonctionnement. Dans cette section, vous découvrirez comment naviguer parmi les menus de l'imprimante et modifier les valeurs définies pour les différentes options.

**Affichage inactif** Une fois que la séquence de mise sous tension de l'imprimante est terminée, le panneau de commande passe à l'écran d'affichage inactif (Figure 5). Sur l'écran de l'imprimante s'affichent la version du microprogramme et son adresse IP.

Figure 5 • Idle Display (Affichage inactif)




1	État actuel de l'imprimante
2	Version du microprogramme de l'imprimante (ligne supérieure) et son adresse IP (ligne inférieure).
	Raccourci du menu Accueil

**Menu Accueil** Utilisez le menu Accueil (Figure 6) pour accéder aux paramètres de fonctionnement de l'imprimante depuis les huit menus utilisateur (voir *Réglage des paramètres de l'imprimante à la page 102*). Cliquez sur l'une des icônes de la Figure 6 pour accéder aux descriptions des éléments de ce menu utilisateur.

Figure 6 • Menu Accueil



	Quittez et retournez à l'écran d'affichage inactif (Figure 5).
---	--

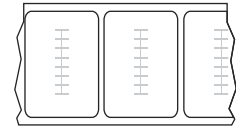
## Types de papier



**Important** • Zebra recommande vivement l'utilisation de produits de la marque Zebra, qui permettent de bénéficier en permanence d'une qualité d'impression optimale. Une large gamme de papier, polypropylène, polyester et vinyle a été étudiée pour améliorer les capacités d'impression de l'imprimante et pour prévenir toute usure prématurée de la tête d'impression. Pour acquérir des consommables, visitez le site <http://www.zebra.com/supplies>.

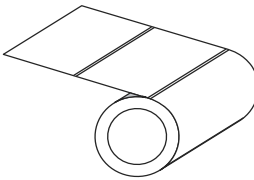
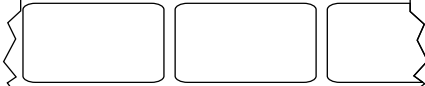
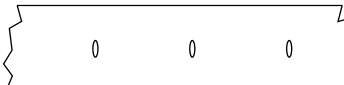
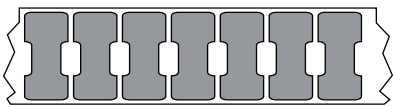
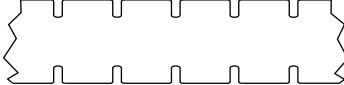


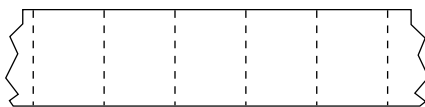
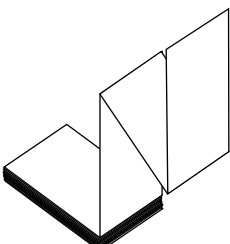
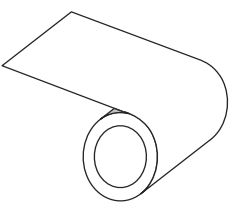
L'imprimante peut utiliser différents types de papier :

- *Papier standard* : généralement, le papier standard dispose d'un verso adhésif qui colle chaque étiquette ou une longueur continue d'étiquettes à un support. Le papier standard peut être vendu sous forme de rouleau ou de pile en paravent (voir [Tableau 2](#)).
- *Carton pour étiquettes* : ce type d'étiquette est généralement constitué de papier épais. Le carton pour étiquettes ne dispose pas de face adhésive ou de support et comporte généralement des perforations entre les étiquettes. Le carton pour étiquettes peut être vendu sous forme de rouleau ou de pile en paravent (voir [Tableau 2](#)).
- *Papier « intelligent » RFID (Radio frequency identification)* : le papier RFID peut être utilisé dans une imprimante équipée d'un lecteur/codeur RFID. Les étiquettes RFID sont constituées du même papier et de la même colle que les étiquettes non RFID. Chaque étiquette est équipée d'un transpondeur RFID (parfois appelé « marqueur ») qui est composé d'une puce et d'une antenne. Il est placé entre l'étiquette et le support. La forme du transpondeur, qui varie en fonction du constructeur, est visible à travers l'étiquette. Les étiquettes « intelligentes » possèdent une mémoire qui peut être lue et, dans certains cas, codée.



**Important** • La position du transpondeur sur l'étiquette dépend du type de transpondeur et du modèle d'imprimante. Veillez à utiliser le papier « intelligent » approprié pour votre imprimante. Pour obtenir plus d'informations, consultez le manuel *RFID Programming Guide 3* (Guide de programmation RFID 3). Ce document est disponible à l'adresse <http://www.zebra.com/manuals> et sur le CD fourni avec l'imprimante. Pour obtenir des informations sur le positionnement du transpondeur, consultez le site <http://www.zebra.com/transponders>.

Tableau 2 • Rouleau de papier et papier à pliage paravent

Type de papier	Aspect	Description
Rouleau non continu		<p>Le rouleau est enroulé sur une bobine dont le diamètre peut varier de 25 à 76 mm (de 1 à 3 pouces). La séparation des étiquettes est assurée par l'une des méthodes suivantes :</p> <ul style="list-style-type: none"> <li>Le <i>support bande</i> sépare les étiquettes à l'aide d'espaces, de trous ou d'encoches.           <ul style="list-style-type: none"> <li></li> <li></li> <li></li> <li></li> </ul> </li> <li>Le <i>papier avec marque noire</i> utilise des marques noires préimprimées au verso qui indiquent la séparation entre les étiquettes.           <ul style="list-style-type: none"> <li></li> <li></li> </ul> </li> <li>Le <i>papier perforé</i> comporte des perforations qui permettent de séparer facilement les étiquettes les unes des autres. Des marques noires ou d'autres types de séparation peuvent également être utilisés sur ce type de papier.           <ul style="list-style-type: none"> <li></li> </ul> </li> </ul>
Rouleau non continu à pliage paravent		<p>Le papier à pliage paravent est plié en zigzag. Ce papier dispose des mêmes séparations d'étiquettes qu'un rouleau non continu. Les séparations peuvent tomber sur les plis ou à côté.</p>
Rouleau continu		<p>Le rouleau est enroulé sur une bobine dont le diamètre peut varier de 25 à 76 mm (de 1 à 3 pouces).</p> <p>Le rouleau continu ne contient pas d'espaces, de trous, d'encoches ou de marques noires pour indiquer les séparations d'étiquettes. Il est ainsi possible d'imprimer l'image à n'importe quel emplacement de l'étiquette. Une lame est parfois utilisée pour la coupe des étiquettes.</p>

## Présentation du ruban

Le ruban est une fine pellicule dont une face est enduite de cire, de résine ou de résine céroïde, qui est transférée sur le papier au cours du processus de transfert thermique. L'utilisation d'un ruban ainsi que sa largeur sont déterminées par le papier.

Si un ruban est utilisé, il doit être au moins aussi large que le papier employé. Si le ruban est plus étroit que le papier, la tête d'impression n'est pas protégée et peut subir une usure prématurée.

## Conditions d'utilisation d'un ruban

Contrairement aux papiers à transfert thermique qui exigent un ruban, les papiers thermiques directs n'en nécessitent pas. Pour déterminer si vous devez utiliser un ruban avec un papier spécifique, effectuez un test de grattage du papier.

### Pour effectuer un test de grattage de papier, procédez comme suit :

1. Grattez rapidement la surface d'impression du papier du bout de l'ongle.
2. Une marque noire apparaît-elle sur le papier ?

Si une marque noire...	Le papier est de type...
N'apparaît pas sur le papier	<b>Transfert thermique.</b> Un ruban est nécessaire.
Apparaît sur le papier	<b>Thermique direct.</b> Aucun ruban n'est nécessaire.

## Face enduite du ruban

Le ruban peut être enroulé avec la face enduite orientée vers l'intérieur ou l'extérieur (Figure 7). Cette imprimante n'accepte que les rubans dont la face enduite est orientée vers l'extérieur sauf si vous achetez et installez le mandrin en option qui accepte les rubans dont la face enduite est orientée vers l'intérieur. Pour savoir comment commander des pièces, contactez votre revendeur Zebra agréé.

Pour identifier la face enduite d'un ruban, effectuez un test de grattage du ruban ou un test d'adhérence.

Figure 7 • Ruban avec la face enduite orientée vers l'extérieur ou l'intérieur







## Test d'adhérence

Si des étiquettes sont disponibles, effectuez un test d'adhérence pour déterminer quelle face du ruban est enduite. Cette méthode est très efficace pour un ruban déjà installé.

### Pour effectuer un test d'adhérence, procédez comme suit :

1. Décollez une étiquette de son support.
2. Appuyez un coin du côté adhésif sur la surface extérieure du rouleau de ruban.
3. Décollez l'étiquette du ruban.
4. Observez les résultats. Des paillettes ou des particules d'encre provenant du ruban adhèrent-elles à l'étiquette ?

Si l'encre du ruban...	Alors...
A adhéré à l'étiquette	Le ruban est enduit sur la face extérieure et <b>peut</b> être utilisé sur cette imprimante. 
N'a pas adhéré à l'étiquette	Le ruban est enduit sur la face intérieure et <b>ne peut pas</b> être utilisé sur cette imprimante. Un axe de rouleau de ruban est disponible en option pour utiliser le ruban enduit sur la face intérieure. Pour savoir comment commander des pièces, contactez votre revendeur Zebra agréé.  Pour confirmer ce point, répétez le test sur l'autre face du rouleau de ruban.



## Test de grattage du ruban

Effectuez un test de grattage du ruban lorsque vous ne disposez pas d'étiquettes.

### Pour effectuer un test de grattage du ruban, procédez comme suit :

1. Déroulez légèrement le rouleau de ruban.
2. Placez la partie de ruban que vous venez de dérouler sur un morceau de papier de sorte que la face extérieure du ruban soit en contact avec le papier.
3. Grattez la face intérieure du ruban déroulé du bout de l'ongle.
4. Décollez le ruban du papier.

5. Observez les résultats. Le ruban a-t-il laissé une marque sur le papier ?

Si le ruban...	Alors...
A laissé une marque sur le papier	Le ruban est enduit sur la face extérieure et <b>peut</b> être utilisé sur cette imprimante. 
N'a pas laissé de marque sur le papier	Le ruban est enduit sur la face intérieure et <b>ne peut pas</b> être utilisé sur cette imprimante. Un axe de rouleau de ruban est disponible en option pour utiliser le ruban enduit sur la face intérieure. Pour savoir comment commander des pièces, contactez votre revendeur Zebra agréé.  Pour confirmer ce point, répétez le test sur l'autre face du rouleau de ruban.

# Installation et fonctionnement de l'imprimante

Cette section explique comment installer et faire fonctionner l'imprimante lors de sa première utilisation.

## Sommaire

Manipulation de l'Imprimante . . . . .	28
Déballage et inspection de l'Imprimante . . . . .	28
Stockage de l'Imprimante. . . . .	28
Réparation de l'imprimante . . . . .	28
Expédition de l'Imprimante. . . . .	29
Choix de l'emplacement de l'Imprimante . . . . .	30
Sélection du mode d'impression . . . . .	31
Chargement du papier . . . . .	32
Insertion du papier dans l'imprimante . . . . .	32
Mode Déchirement. . . . .	35
Mode Prédécollage ou mode Applicateur . . . . .	39
Mode Réenrouleur . . . . .	46
Mode Coupe ou mode Coupe retardée . . . . .	53
Chargement du ruban . . . . .	58
Installation du pilote d'impression et connexion de l'imprimante à l'ordinateur . . . . .	62
Installation de Zebra Setup Utilities . . . . .	62
Connexion de l'imprimante à l'ordinateur via un port USB. . . . .	71
Connexion de l'imprimante à un ordinateur via un port série ou parallèle . . . . .	75
Connexion au réseau via le port Ethernet de l'imprimante . . . . .	83
Connexion de l'imprimante à votre réseau sans fil . . . . .	91
Impression d'une étiquette de test et réglages . . . . .	97

## Manipulation de l'Imprimante

Cette section vous indique comment manipuler votre imprimante.

### Déballage et inspection de l'Imprimante

Lorsque vous recevez l'imprimante, déballez-la immédiatement et inspectez-la afin de détecter les éventuels dommages d'expédition.

- Conservez tous les éléments d'emballage.
- Vérifiez toutes les surfaces extérieures.
- Soulevez le panneau d'accès aux supports et inspectez tous les composants du compartiment papier.

Si, à l'issue de cette inspection, vous détectez des dommages, procédez comme suit :

- Avertissez immédiatement la société de transport et soumettez un signalement de dommage.
- Conservez la totalité de l'emballage afin qu'il puisse être inspecté par la société de transport.
- Prévenez votre revendeur Zebra agréé.



**Important** • Zebra Technologies décline toute responsabilité quant aux éventuels dommages survenus lors du transport de l'équipement et ne prend pas en charge ces dommages dans le cadre de la garantie.

### Stockage de l'Imprimante

Si vous n'envisagez pas de mettre l'imprimante immédiatement en service, replacez-la dans son emballage d'origine. Vous pouvez stocker l'imprimante dans les conditions suivantes :

- Température : -40 à 60 °C (-40 à 140 °F)
- Humidité relative : 5 à 85 %, sans condensation

### Réparation de l'imprimante

Si vous rencontrez un problème relatif à l'utilisation de l'imprimante, contactez l'assistance technique ou système de votre organisation. En cas de problème avec l'imprimante, les techniciens contacteront l'assistance client internationale Zebra : <http://www.zebra.com/support>.

Lorsque vous contactez l'assistance client internationale Zebra, munissez-vous des informations suivantes :

- Numéro de série de l'appareil
- Numéro du modèle ou nom du produit
- Version du microprogramme

Zebra répond aux sollicitations par e-mail, téléphone ou télécopie dans les délais indiqués dans les contrats de service. Si votre problème ne peut pas être résolu par l'assistance client internationale Zebra, vous devrez peut-être retourner votre équipement pour une réparation, auquel cas, des instructions spécifiques vous seront données.

Si vous avez acheté votre produit auprès d'un partenaire commercial de Zebra, contactez ce dernier pour obtenir une assistance.

## Expédition de l'Imprimante

Zebra n'est pas responsable des dommages survenus lors du transport en cas de non-utilisation d'un emballage approuvé. La garantie peut être annulée en cas de non-respect des instructions d'expédition.

Si vous devez réexpédier l'imprimante, procédez comme suit :

- Mettez l'imprimante hors tension (●) et débranchez tous les câbles.
- Retirez le papier, le ruban ou tout autre objet se trouvant à l'intérieur de l'imprimante.
- Refermez la tête d'impression.
- Emballez soigneusement l'imprimante dans l'emballage d'expédition d'origine ou dans un autre emballage d'expédition approprié pour éviter tout dommage durant le transport. Il est possible de se procurer un emballage d'expédition auprès de Zebra si l'emballage d'origine a été perdu ou détruit.

## Choix de l'emplacement de l'imprimante

Installez l'imprimante dans un endroit répondant aux conditions suivantes :

- **Surface** : La surface où sera placée l'imprimante doit être plane, solide et suffisamment grande pour accueillir l'imprimante.
- **Espace** : L'espace alloué à l'imprimante doit être suffisamment grand pour permettre une bonne ventilation et un accès aisé aux composants et aux connecteurs de l'imprimante. Pour permettre une ventilation et un refroidissement adapté, aménagez suffisamment d'espace libre autour de l'imprimante.



---

**Attention** • Ne placez aucun matériau de protection ou d'isolation derrière ni au-dessous de l'imprimante, car cela nuit à l'aération et risquerait d'entraîner la surchauffe de l'imprimante.

---

- **Alimentation** : L'imprimante doit être installée à proximité d'une prise de courant facilement accessible.
- **Interfaces de communication de données** : L'imprimante doit se trouver à portée de votre carte radio réseau sans fil (WLAN), le cas échéant, ou à une distance acceptable des autres connecteurs afin d'accéder à votre source de données (généralement, un ordinateur). Pour plus d'informations sur les longueurs de câble maximales et la configuration, reportez-vous aux *Spécifications générales* à la page 278.
- **Conditions de fonctionnement** : Votre imprimante est conçue pour fonctionner dans diverses conditions électriques ou environnementales, y compris dans une usine ou un entrepôt. Le [Tableau 3](#) répertorie la température et le taux d'humidité relative requis pour l'imprimante en fonctionnement.

**Tableau 3 • Température et taux d'humidité requis en cours de fonctionnement**

Mode	Température	Humidité relative
Transfert thermique	5 à 40 °C	20 à 85 % sans condensation
Thermique direct	0 à 40 °C	

## Sélection du mode d'impression

Adoptez un mode d'impression qui corresponde au papier utilisé et aux options disponibles sur l'imprimante. Le passage du papier est le même pour le rouleau de papier et le papier à pliage paravent. Pour définir l'imprimante sur un mode d'impression disponible, reportez-vous à la section *PRESENTATION EN* à la page 110.

**Tableau 4 • Modes d'impression et options de l'imprimante**

Mode d'impression	Description
POS ARRET	<i>Ce mode (par défaut) peut être utilisé avec toutes les options de l'imprimante et avec la plupart des types de papier.</i> L'imprimante imprime les formats d'étiquettes tels qu'elle les reçoit. L'opérateur de l'imprimante peut déchirer les étiquettes imprimées à tout moment après leur impression.
COUPE	<i>Ce mode peut être utilisé si l'imprimante est dotée de l'option Réenrouleur.</i> L'imprimante décolle l'étiquette du support pendant l'impression et marque ensuite une pause jusqu'à ce que l'étiquette soit retirée. Le support est enroulé sur l'axe du réenrouleur sans utiliser le capot.
REENROULEUR	<i>Ce mode peut être utilisé uniquement si l'imprimante est dotée de l'option Réenrouleur.</i> L'imprimante imprime les étiquettes sans marquer de pause. Le papier est enroulé sur une bobine après l'impression. Le capot du réenrouleur sert à empêcher les étiquettes de se dissocier du support.
COUPE	<i>Ce mode peut être utilisé uniquement si l'imprimante est dotée de l'option Coupe.</i> Une coupe est effectuée entre chaque étiquette après leur impression.
COUPE RETARDEE	<i>Ce mode peut être utilisé uniquement si l'imprimante est dotée de l'option Coupe.</i> L'imprimante coupe de la dernière étiquette imprimée lorsqu'elle reçoit la commande ZPL (~JK) pour une coupe retardée.
PRÉDÉCOLLAGE SANS SUPPORT*	* Réservé pour utilisation ultérieure.
REBOBINAGE SANS SUPPORT*	
DECHIREMENT SANS SUPPORT*	
APPLICATEUR	<i>Ce mode doit être utilisé avec une machine qui applique les étiquettes.</i> L'imprimante imprime lorsqu'elle reçoit un signal en provenance de l'applicateur. Reportez-vous à la section Informations pour les utilisateurs experts du Manuel de maintenance pour des informations supplémentaires sur l'interface de l'applicateur.

## Chargement du papier

Suivez les instructions de cette section pour charger un rouleau de papier ou du papier à pliage paravent dans le mode d'impression adapté à vos besoins.

---

**Attention** • Lorsque vous travaillez à proximité d'une tête d'impression ouverte, retirez les bagues, montres, colliers, badges d'identification ou autres objets métalliques susceptibles d'entrer en contact avec la tête d'impression. Bien que cela ne soit pas obligatoire, il est conseillé de mettre l'imprimante hors tension lorsque vous travaillez à proximité d'une tête d'impression ouverte, par mesure de précaution. Si vous mettez l'imprimante hors tension, vous perdrez tous les réglages temporaires, tels que les formats d'étiquettes, et vous devrez les recharger avant de reprendre l'impression.

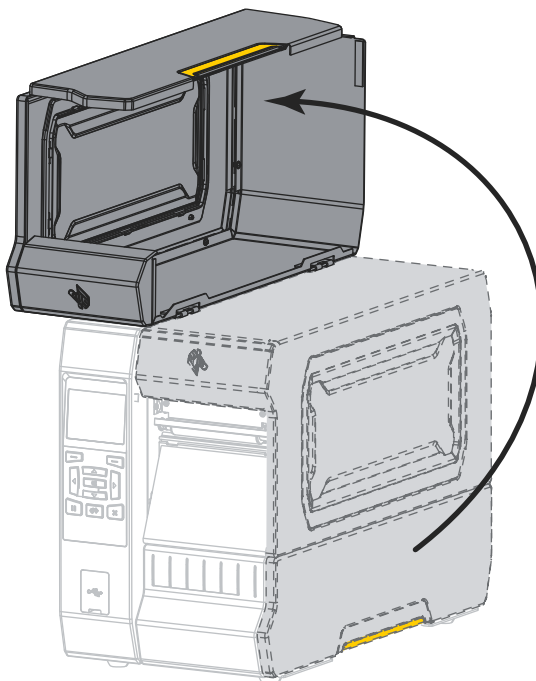
---

## Insertion du papier dans l'imprimante

La plupart des illustrations dans cette section illustre un rouleau de papier, car le chargement du papier est identique pour les rouleaux de papier et le papier à pliage paravent.

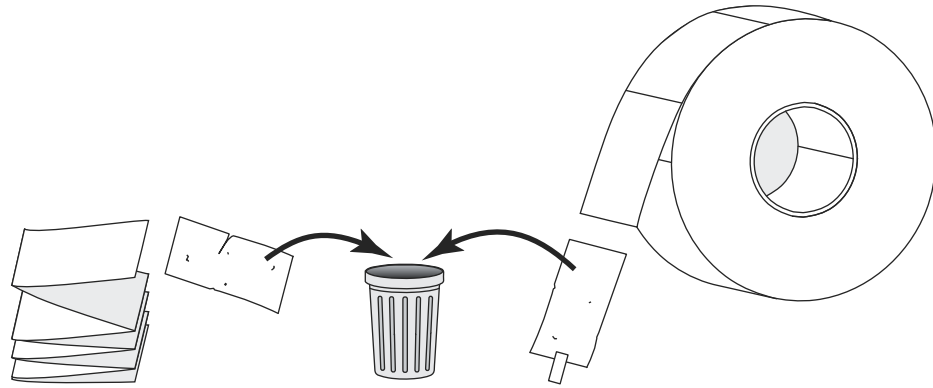
**Pour charger le papier, procédez comme suit :**

1. Soulevez le panneau d'accès aux supports.





2. Retirez et détruisez les étiquettes déchirées, sales ou retenues par du papier adhésif.

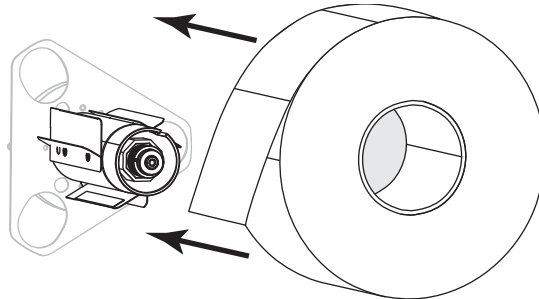


3. Insérez le rouleau de papier ou le papier à pliage paravent dans l'imprimante.



### Rouleau de papier

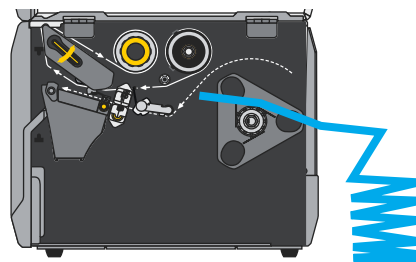
Placez le rouleau de papier sur le mandrin. Poussez le rouleau aussi loin que possible.



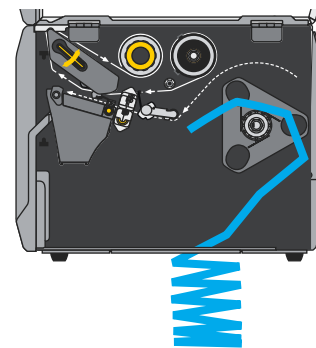
### Papier à pliage paravent

Vous pouvez stocker le papier à pliage paravent derrière ou sous l'imprimante. En fonction du lieu choisi, insérez le papier depuis l'arrière ou à travers la fente d'accès inférieure.

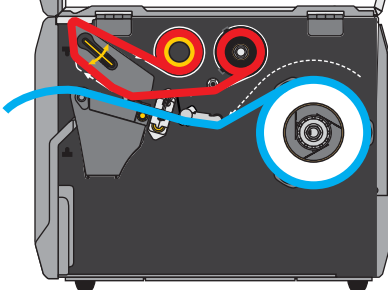
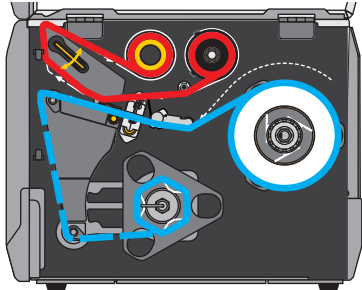
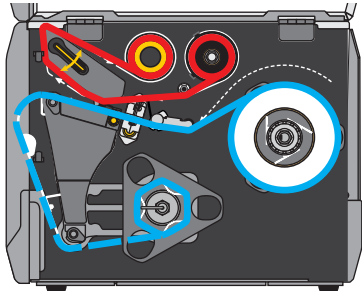
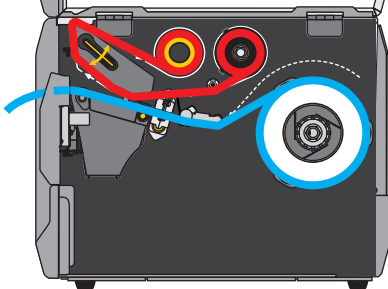
#### Chargement par l'arrière



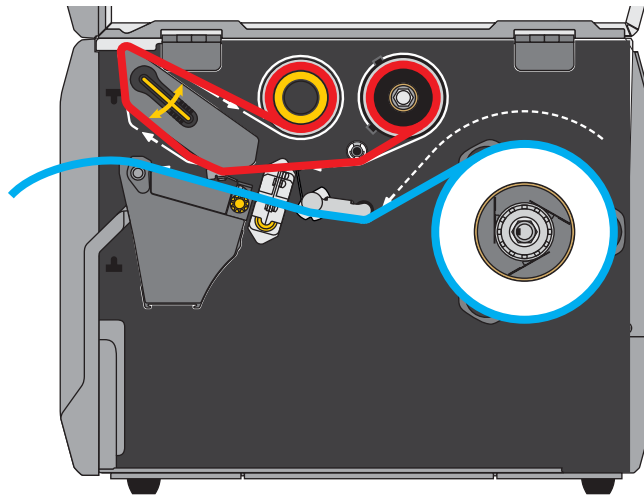
#### Chargement par le bas



4. Quel mode d'impression avez-vous choisi pour votre imprimante ? (Pour plus d'informations sur les différents modes d'impression, consultez la section *Sélection du mode d'impression* à la page 31.)

Si vous utilisez le...	Alors...
<p data-bbox="435 394 574 422">POS ARRET</p> 	<p data-bbox="1008 394 1300 457">Passez à la section <i>Mode Déchirement</i> à la page 35.</p>
<p data-bbox="435 753 724 781">COUPE ou APPLICATEUR</p> 	<p data-bbox="1008 753 1411 848">Passez à la section <i>Mode Prédécollage ou mode Applicateur</i> à la page 39.</p>
<p data-bbox="435 1110 607 1138">REENROULEUR</p> 	<p data-bbox="1008 1110 1297 1173">Passez à la section <i>Mode Réenrouleur</i> à la page 46.</p>
<p data-bbox="435 1467 769 1495">COUPE ou COUPE RETARDEE</p> 	<p data-bbox="1008 1467 1403 1530">Passez à la section <i>Mode Coupe ou mode Coupe retardée</i> à la page 53.</p>

## Mode Déchirement

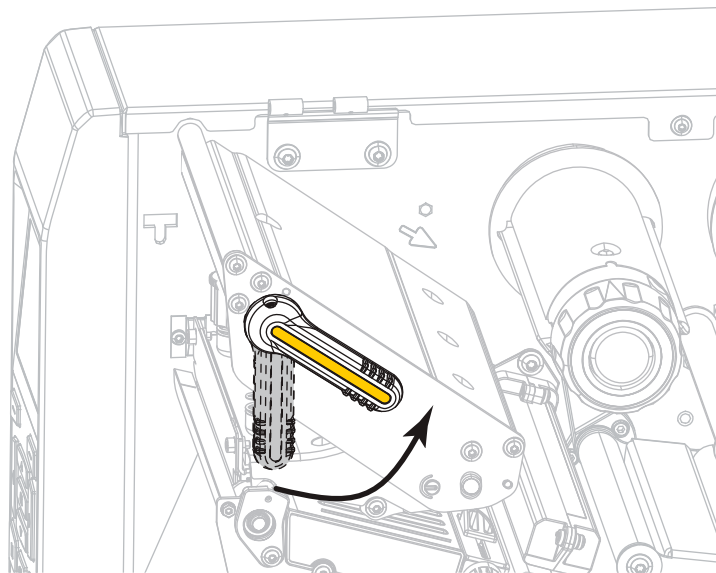


1. Si vous ne l'avez pas encore fait, suivez les instructions de la section *Insertion du papier dans l'imprimante* à la page 32.

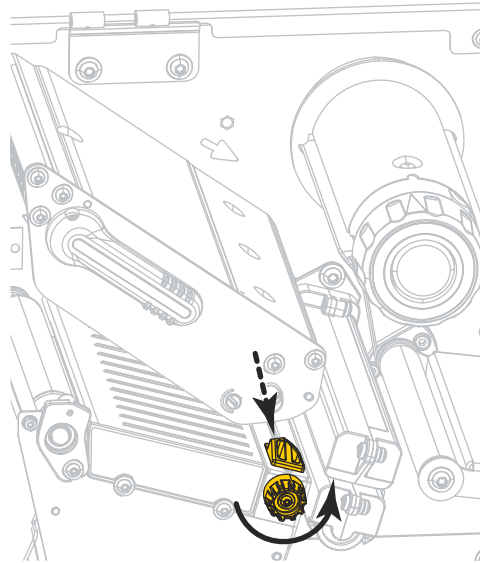


2. **Attention** • La tête d'impression peut être très chaude et risque de provoquer des brûlures graves. Attendez qu'elle refroidisse.

Ouvrez la tête d'impression en faisant tourner le levier d'ouverture de tête vers le haut.

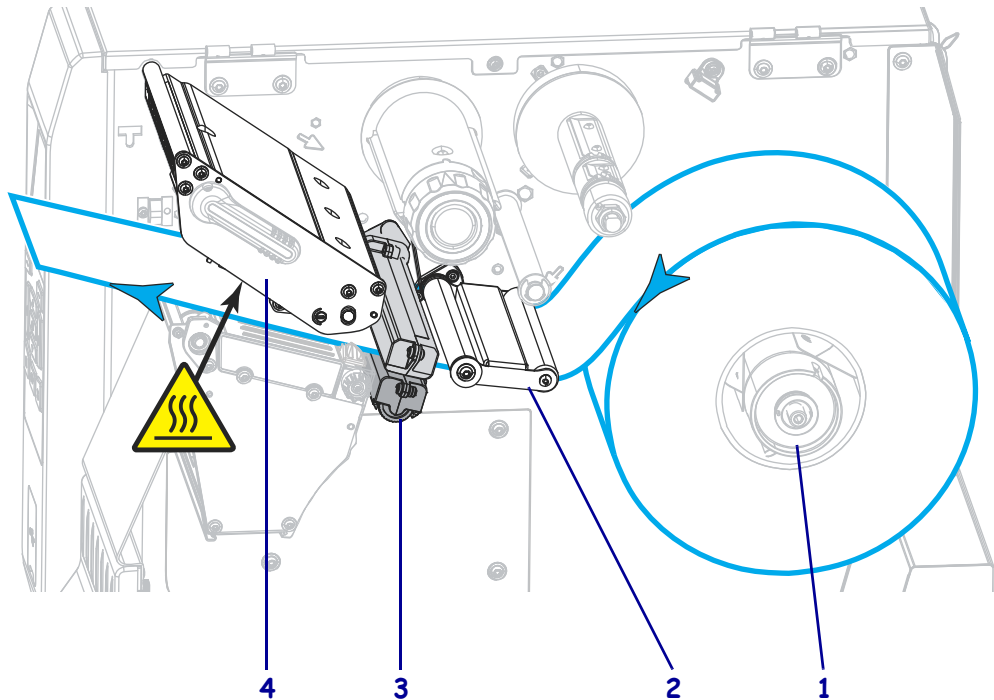


3. Tournez le bouton de réglage du guide de papier comme indiqué, jusqu'à ce que le guide sorte complètement.

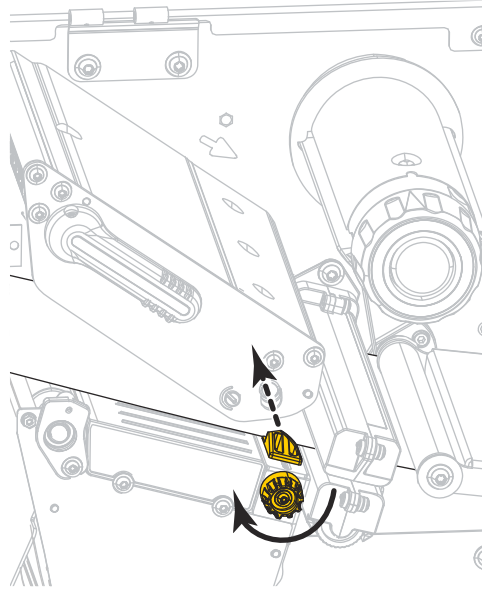


4. **Attention** • La tête d'impression peut être très chaude et risque de provoquer des brûlures graves. Attendez qu'elle refroidisse.

À partir du mandrin (1), insérez le papier en le faisant passer sous le rouleau danseur (2), à travers la cellule papier (3), puis sous la tête d'impression (4). Faites glisser le papier jusqu'à ce qu'il touche la paroi arrière interne de la cellule papier supérieure.



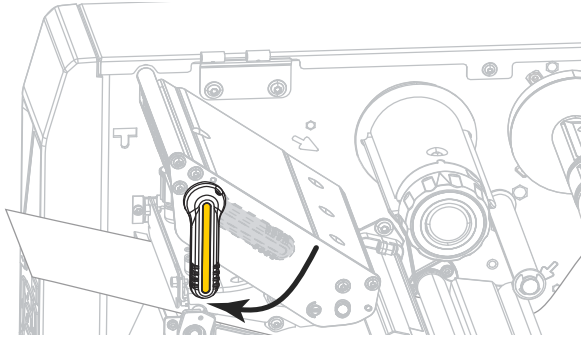
5. Tournez le bouton de réglage du guide de papier comme indiqué, jusqu'à ce que le guide touche le bord du papier.



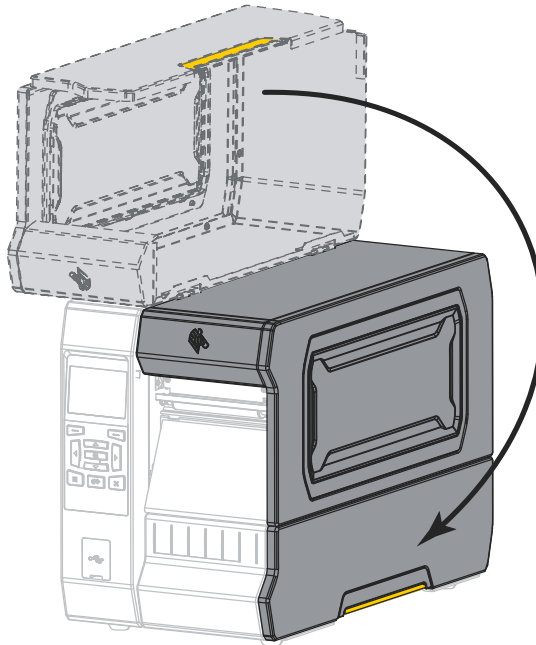
6. Le papier que vous utilisez exige-t-il utilisation d'un ruban ? Si vous avez un doute, reportez-vous à la section *Conditions d'utilisation d'un ruban* à la page 24.

Si vous utilisez le...	Alors...
Papier thermique direct (aucun ruban nécessaire)	Passez à l'étape 7.
Transfert thermique (ruban nécessaire)	<ol style="list-style-type: none"> <li>a. Si vous ne l'avez pas encore fait, chargez le ruban dans l'imprimante. Voir <i>Chargement du ruban</i> à la page 58.</li> <li>b. Passez à l'étape 7.</li> </ol>

7. Actionnez le levier d'ouverture de la tête d'impression vers le bas jusqu'à ce que la tête d'impression s'enclenche.



8. Refermez le panneau d'accès aux supports.



9. Définissez l'imprimante sur le mode d'impression approprié (voir *PRESENTATION EN* à la page 110).
10. Appuyez sur PAUSE pour quitter le mode Pause et activer l'impression.  
L'imprimante peut calibrer ou faire avancer une étiquette, en fonction des paramètres que vous avez définis.
11. Pour obtenir de meilleurs résultats, calibrez l'imprimante. Voir *Calibrage des cellules ruban et papier* à la page 193.
12. Si vous le souhaitez, imprimez une configuration ou une autre étiquette pour vérifier que votre imprimante peut réaliser une impression. (Reportez-vous à la section *INFOS IMPRESSION* à la page 119.)

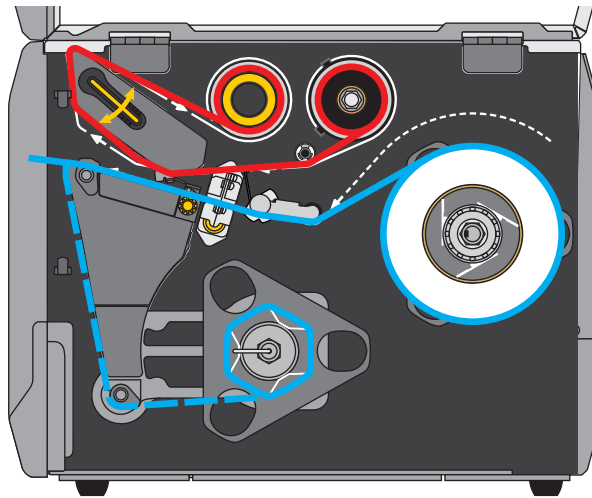
**Le papier est à présent chargé en mode Déchirement.**

**ULINE**

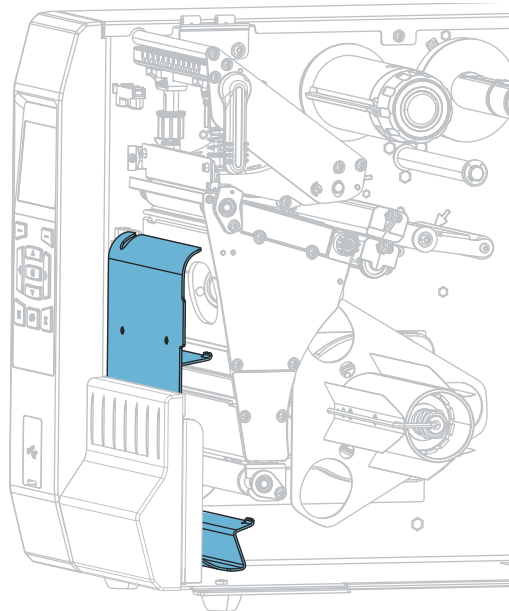
1-800-295-5510

0720 IH-7378VND

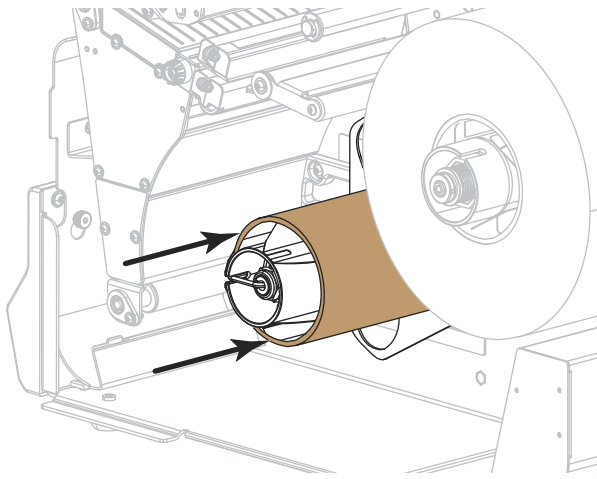
## Mode Prédécollage ou mode Applicateur



1. Si vous ne l'avez pas encore fait, suivez les instructions de la section *Insertion du papier dans l'imprimante* à la page 32.
2. Si nécessaire, installez le réenrouleur/récupérateur de support dans la position de prédécollage comme illustré. Voir la section *Installation du réenrouleur/récupérateur de support* à la page 208 pour toutes les instructions.

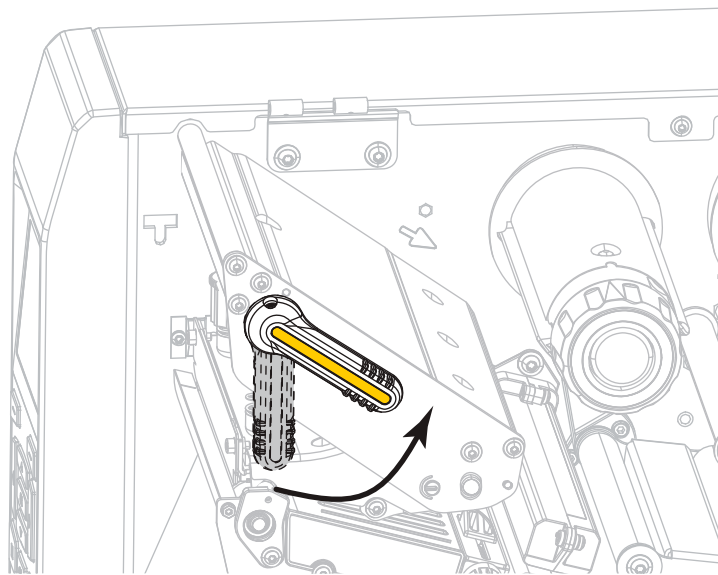


3. Si vous le souhaitez, faites glisser une bobine sur l'axe du réenrouleur jusqu'à ce qu'elle soit alignée avec le plateau de guidage. Il n'est pas nécessaire d'utiliser une bobine pour le récupérateur de support.



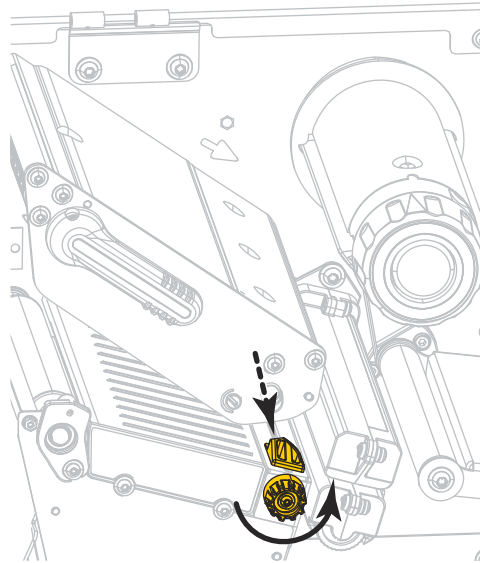
4. **Attention** • La tête d'impression peut être très chaude et risque de provoquer des brûlures graves. Attendez qu'elle refroidisse.

Ouvrez la tête d'impression en faisant tourner le levier d'ouverture de tête vers le haut.



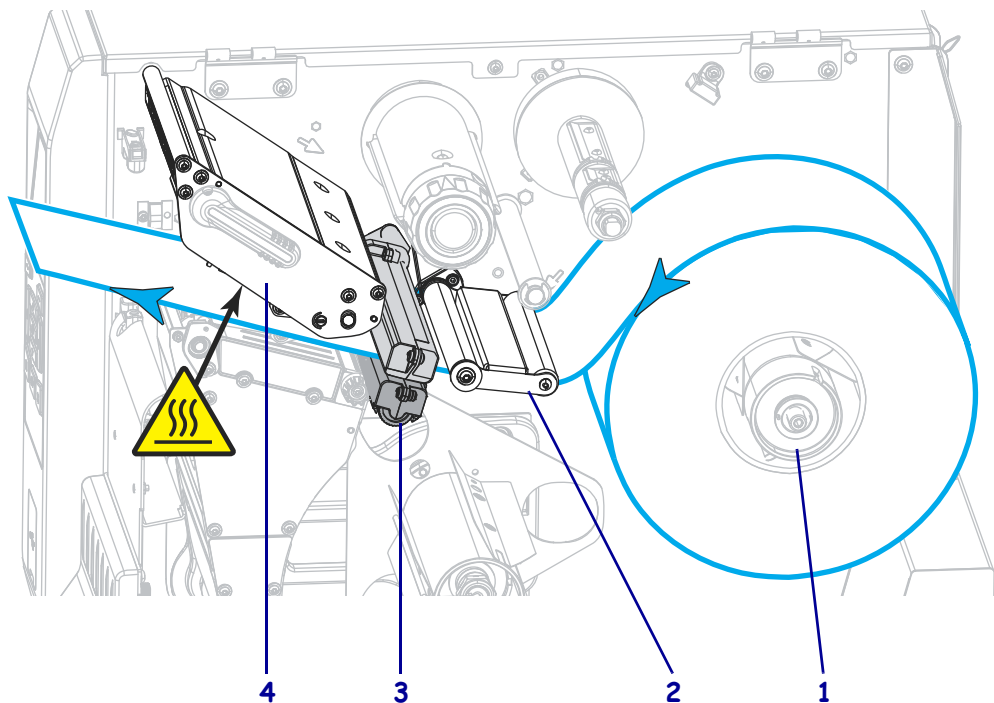


5. Tournez le bouton de réglage du guide de papier comme indiqué, jusqu'à ce que le guide sorte complètement.

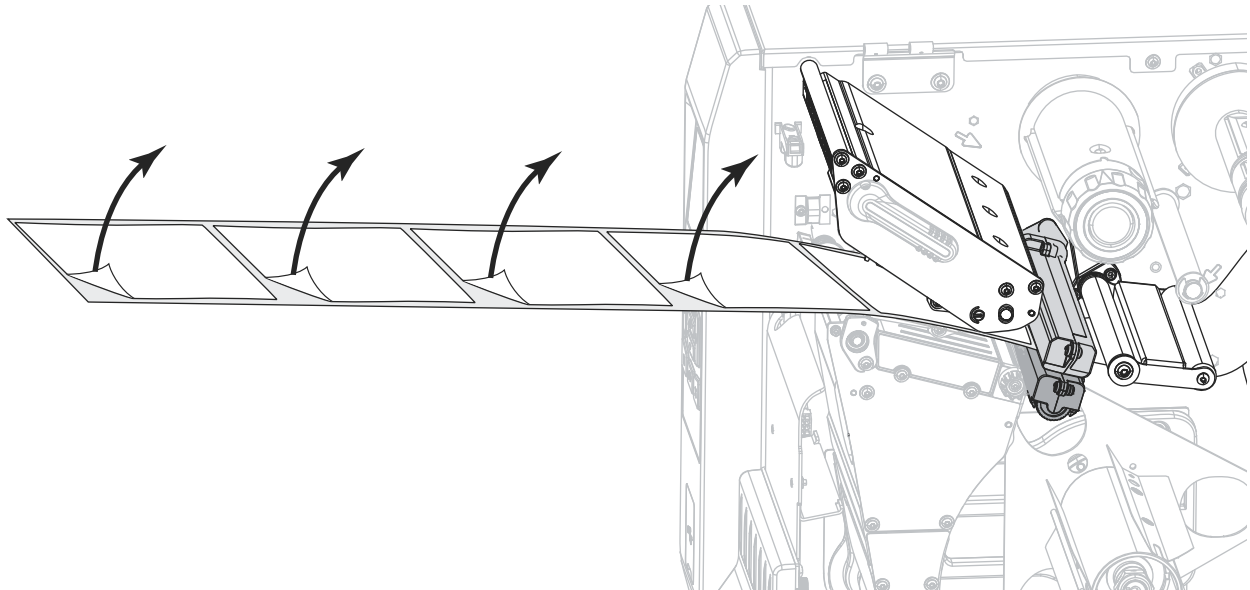


6. **Attention** • La tête d'impression peut être très chaude et risque de provoquer des brûlures graves. Attendez qu'elle refroidisse.

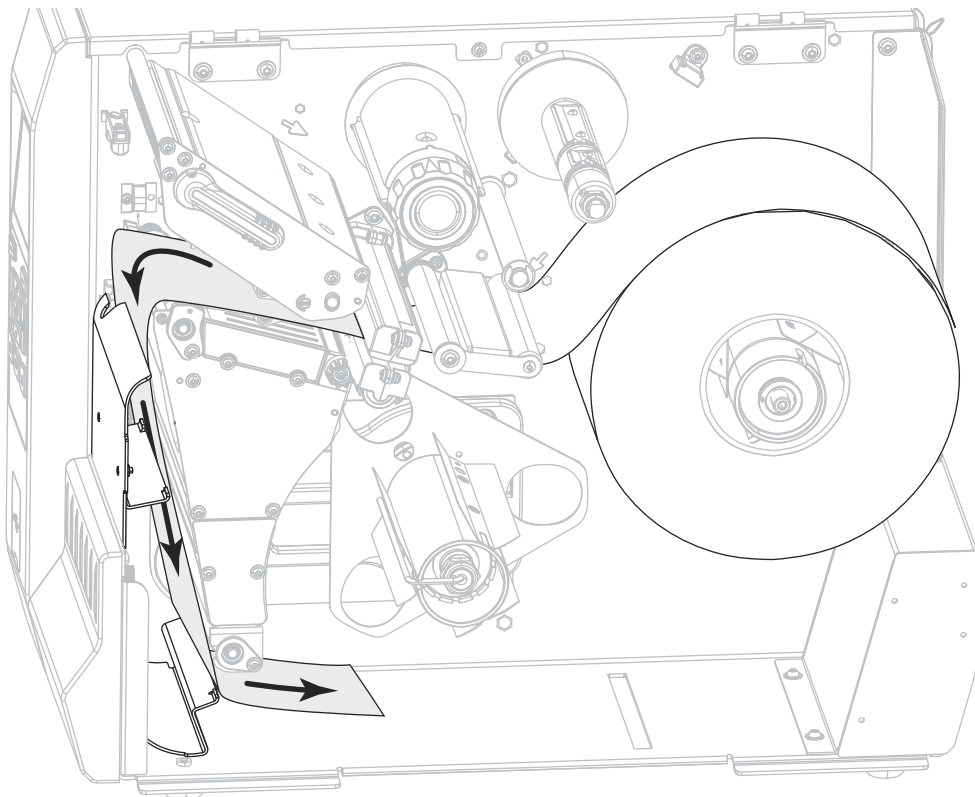
À partir du mandrin (1), insérez le papier en le faisant passer sous le rouleau danseur (2), à travers la cellule papier (3), puis sous la tête d'impression (4). Faites glisser le papier jusqu'à ce qu'il touche la paroi arrière interne de la cellule papier supérieure.



7. Tirez environ 500 mm (18 pouces) de papier à l'extérieur de l'imprimante. Décollez les étiquettes du papier qui dépasse et jetez-les pour ne garder que le support.

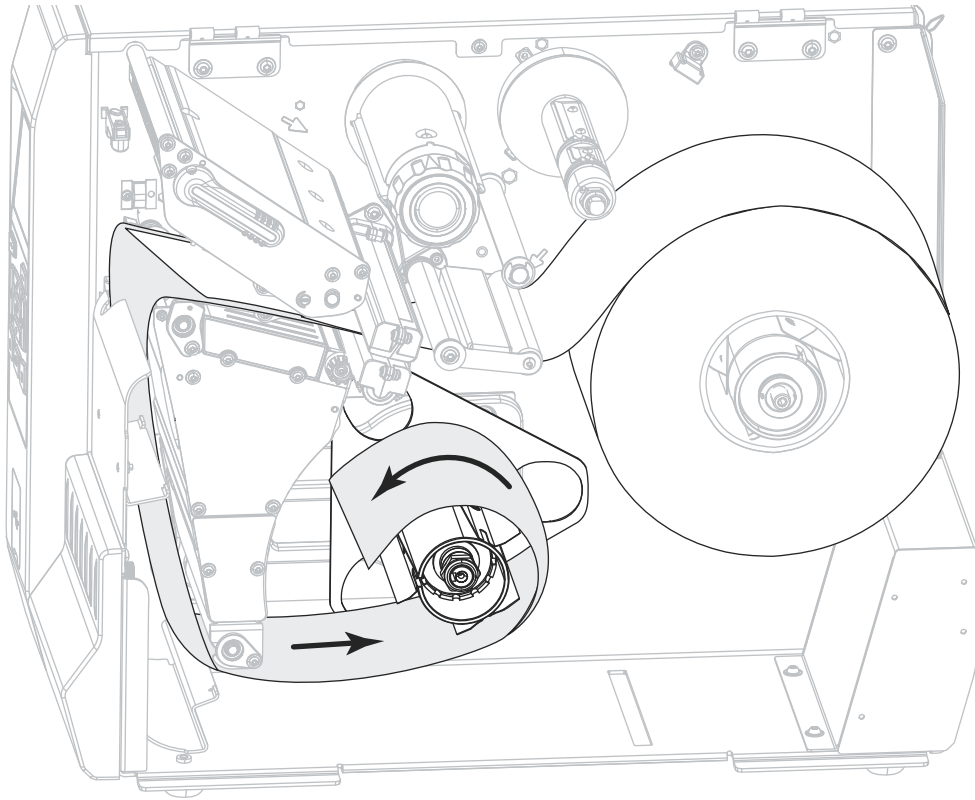


8. Passez le support sous le réenrouleur/récupérateur.

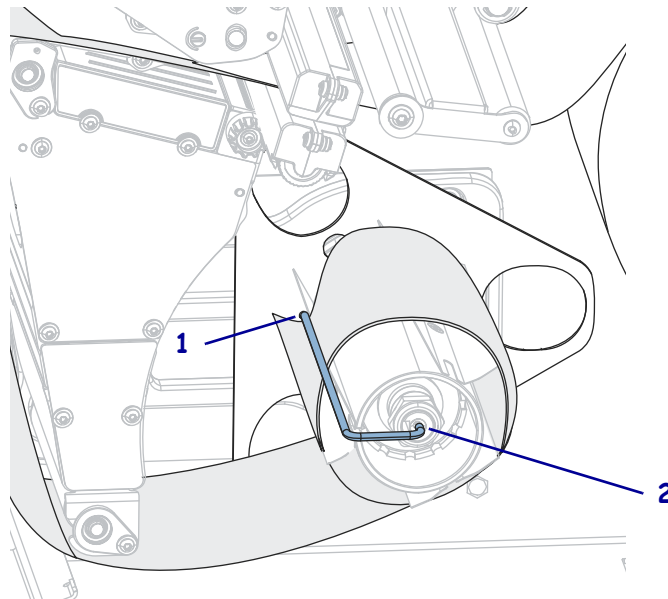


9. Retirez le crochet de l'axe du réenrouleur.

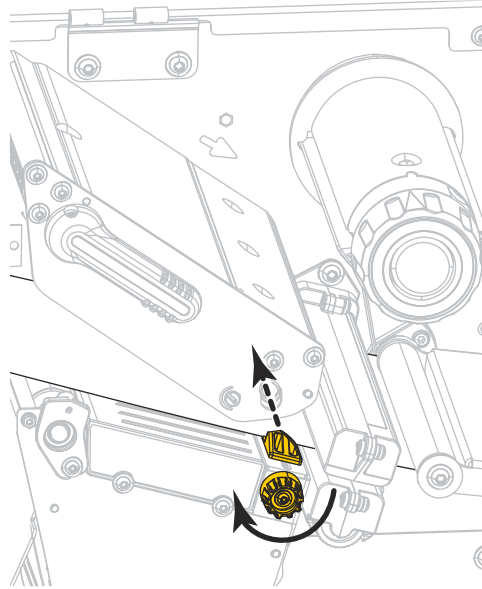
10. Enroulez le support autour de l'axe du réenrouleur comme illustré. Faites tourner plusieurs fois l'axe pour serrer et tendre le support.



11. Replacez le crochet de l'axe au-dessus du support. Insérez l'extrémité longue du crochet dans le petit trou sur le plateau de guidage (1). Insérez l'extrémité courte du crochet dans l'orifice au centre de l'écrou de réglage (2).



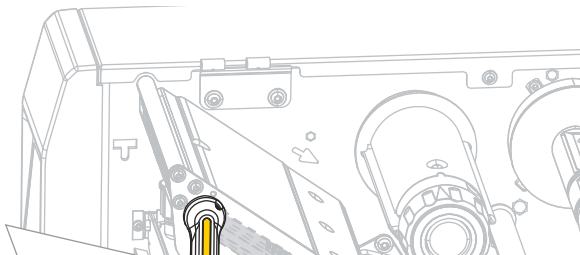
12. Tournez le bouton de réglage du guide de papier comme indiqué, jusqu'à ce que le guide touche le bord du papier.



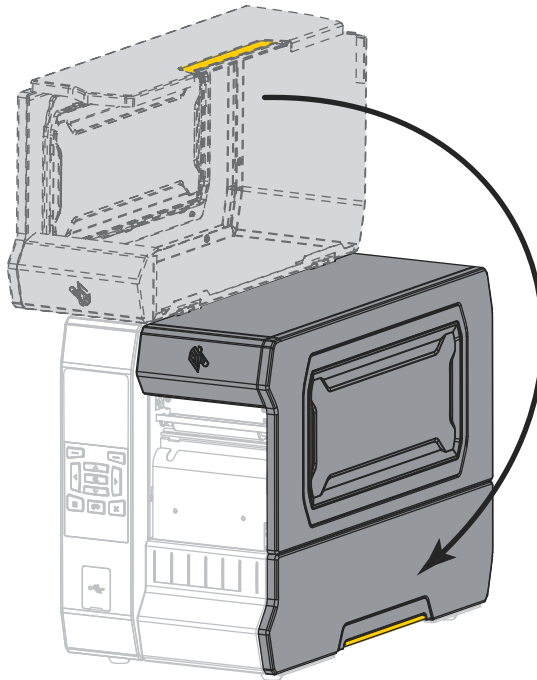
13. Le papier que vous utilisez exige-t-il utilisation d'un ruban ? Si vous avez un doute, reportez-vous à la section *Conditions d'utilisation d'un ruban* à la page 24.

Si vous utilisez le...	Alors...
Papier thermique direct (aucun ruban nécessaire)	Passez à l'étape 14.
Transfert thermique (ruban nécessaire)	<p>a. Si vous ne l'avez pas encore fait, chargez le ruban dans l'imprimante. Voir <i>Chargement du ruban</i> à la page 58.</p> <p>b. Passez à l'étape 14.</p>

14. Actionnez le levier d'ouverture de la tête d'impression vers le bas jusqu'à ce que la tête d'impression s'enclenche.



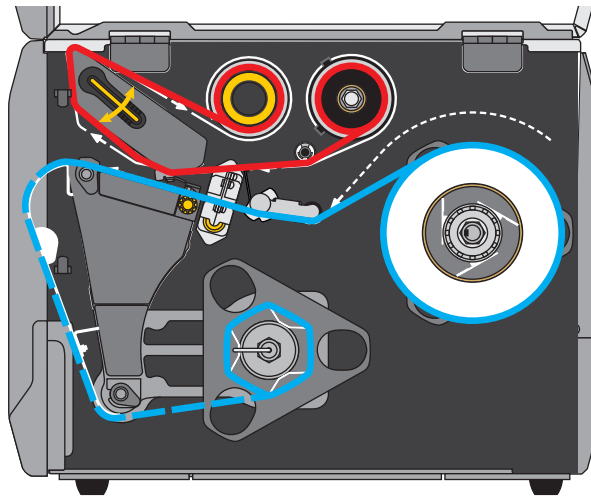
15. Refermez le panneau d'accès aux supports.



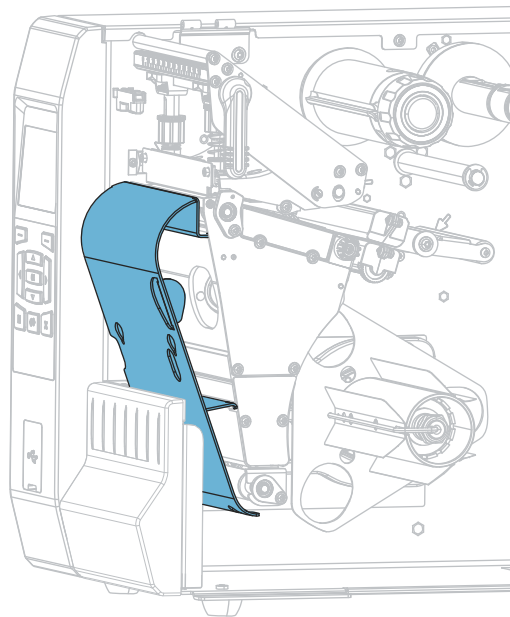
16. Configurez l'imprimante dans le mode approprié (pour plus d'informations, voir *PRESENTATION EN* à la page 110).
17. Appuyez sur PAUSE pour quitter le mode Pause et activer l'impression.  
L'imprimante peut calibrer ou faire avancer une étiquette, en fonction des paramètres que vous avez définis.
18. Pour obtenir de meilleurs résultats, calibrez l'imprimante. Voir *Calibrage des cellules ruban et papier* à la page 193.
19. Si vous le souhaitez, imprimez une configuration ou une autre étiquette pour vérifier que votre imprimante peut réaliser une impression. (Reportez-vous à la section *INFOS IMPRESSION* à la page 119.)

**Le papier est à présent chargé en mode prédécollage.**

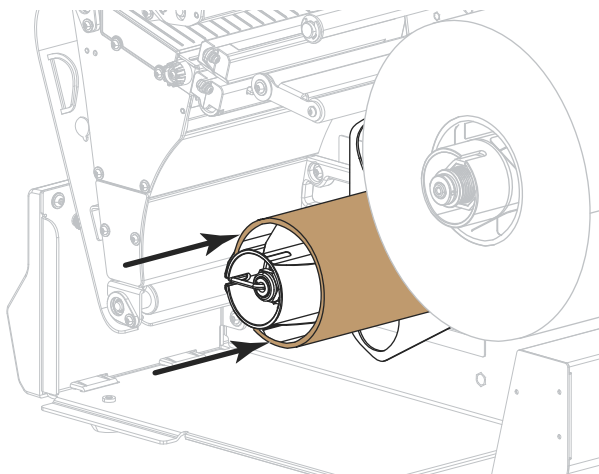
## Mode Réenrouleur



1. Si vous ne l'avez pas encore fait, suivez les instructions de la section *Insertion du papier dans l'imprimante* à la page 32.
2. Si nécessaire, installez le réenrouleur/récupérateur de support dans la position de reboinage comme illustré. Voir la section *Installation du réenrouleur/récupérateur de support* à la page 208 pour toutes les instructions.

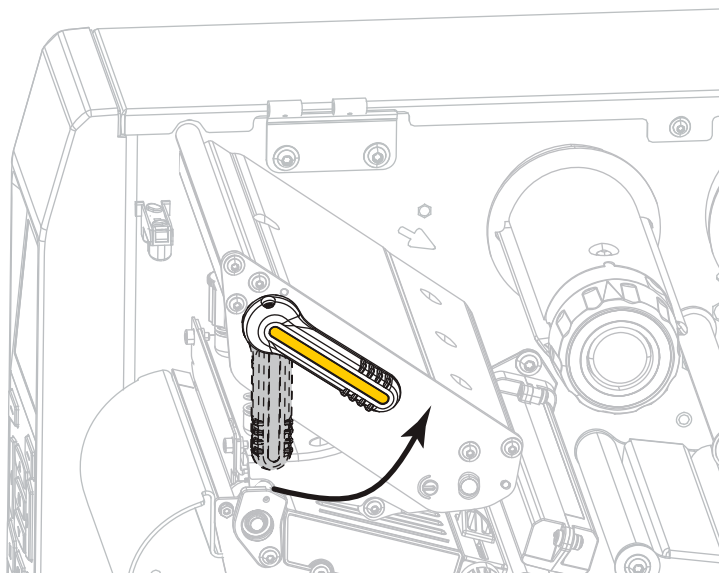


3. Faites glisser une bobine sur l'axe du réenrouleur jusqu'à ce qu'elle soit alignée avec le plateau de guidage.

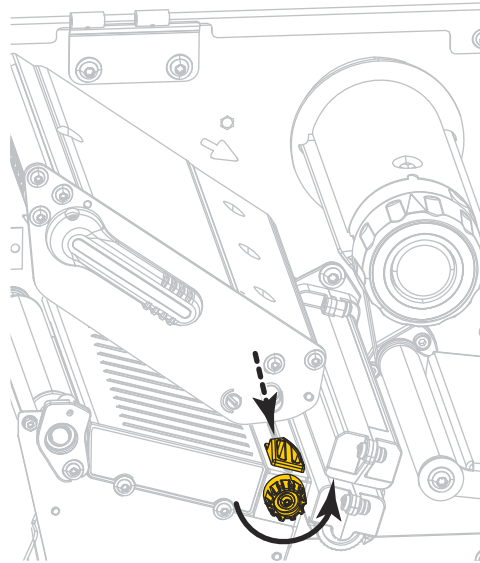


4. **Attention** • La tête d'impression peut être très chaude et risque de provoquer des brûlures graves. Attendez qu'elle refroidisse.

Ouvrez la tête d'impression en faisant tourner le levier d'ouverture de tête vers le haut.

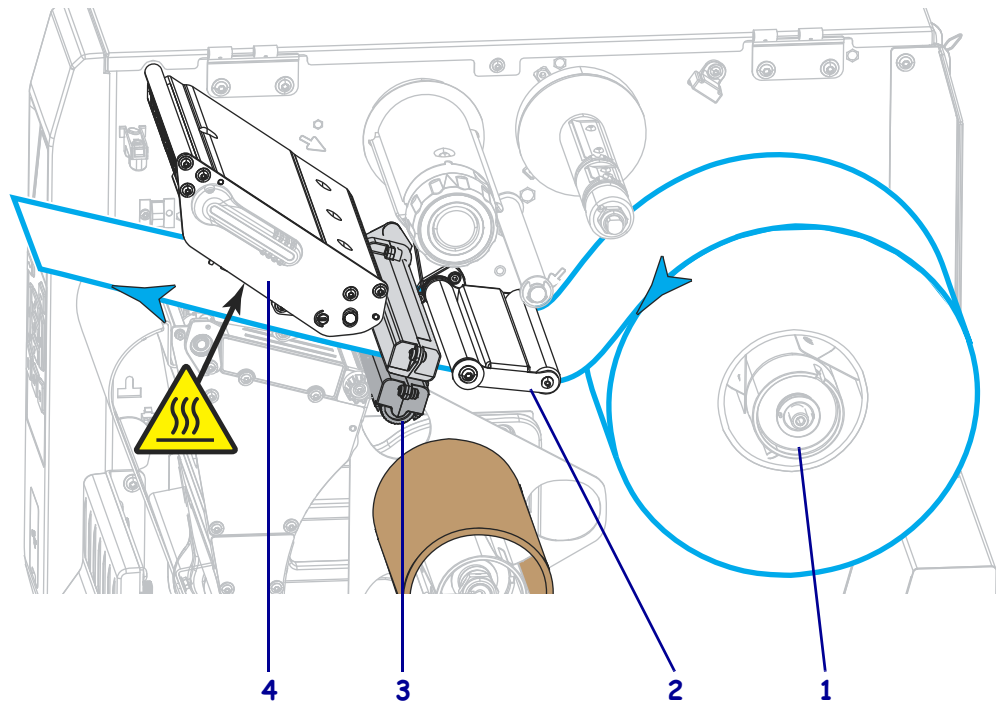


5. Tournez le bouton de réglage du guide de papier comme indiqué, jusqu'à ce que le guide sorte complètement.



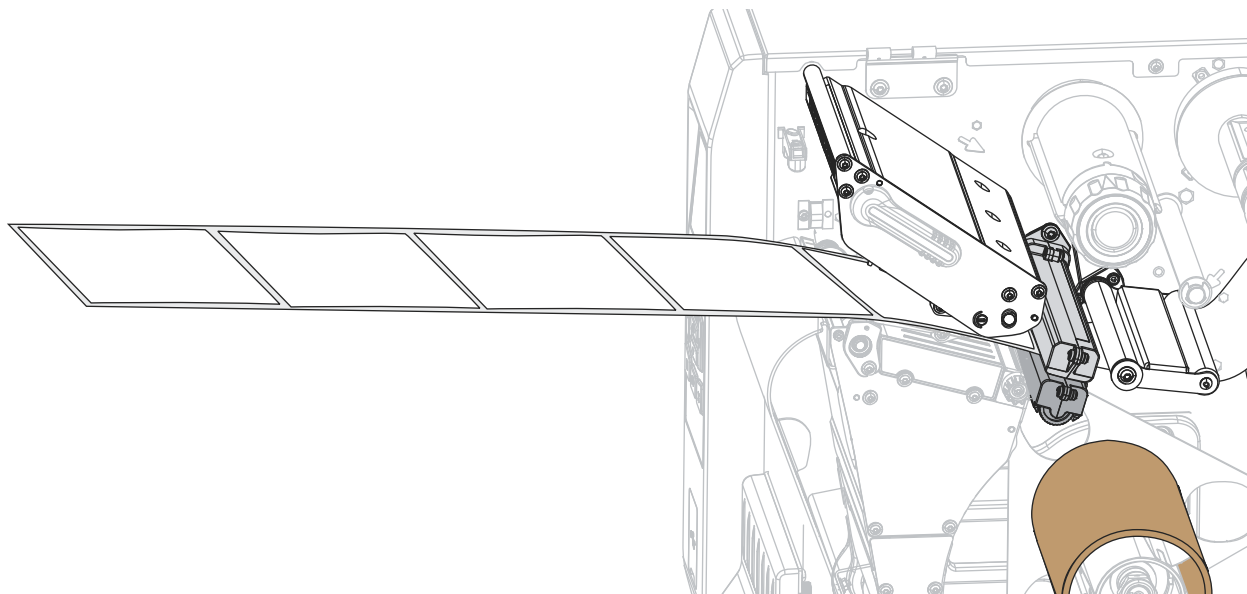
6. **Attention** • La tête d'impression peut être très chaude et risque de provoquer des brûlures graves. Attendez qu'elle refroidisse.

À partir du mandrin (1), insérez le papier en le faisant passer sous le rouleau danseur (2), à travers la cellule papier (3), puis sous la tête d'impression (4). Faites glisser le papier jusqu'à ce qu'il touche la paroi arrière interne de la cellule papier supérieure.

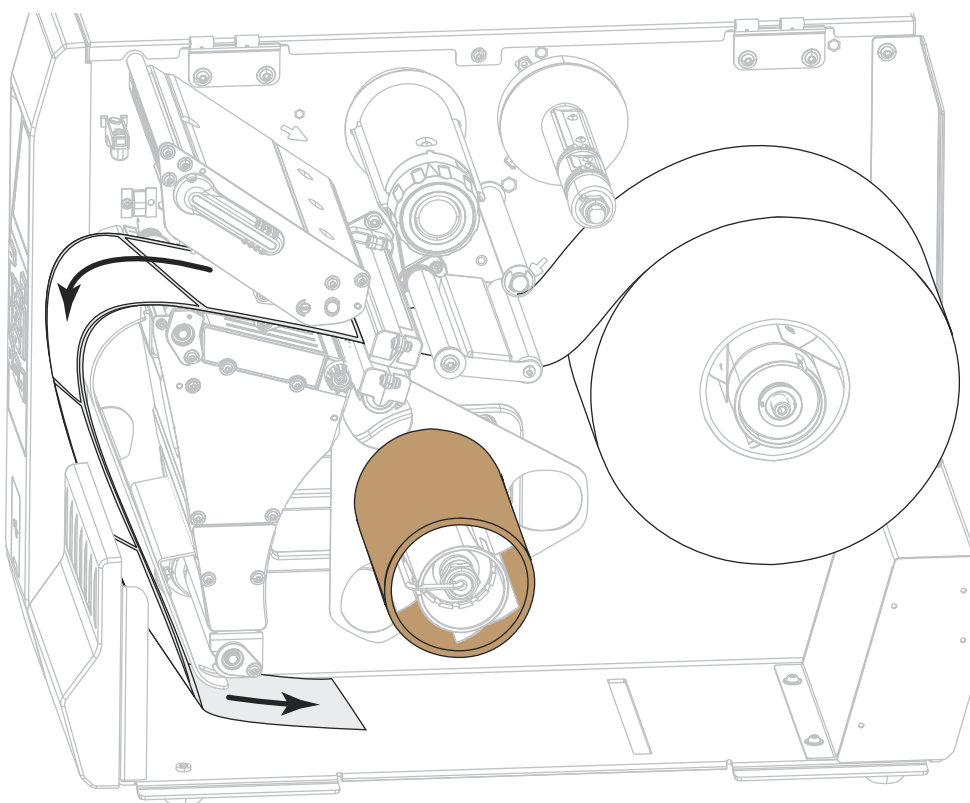




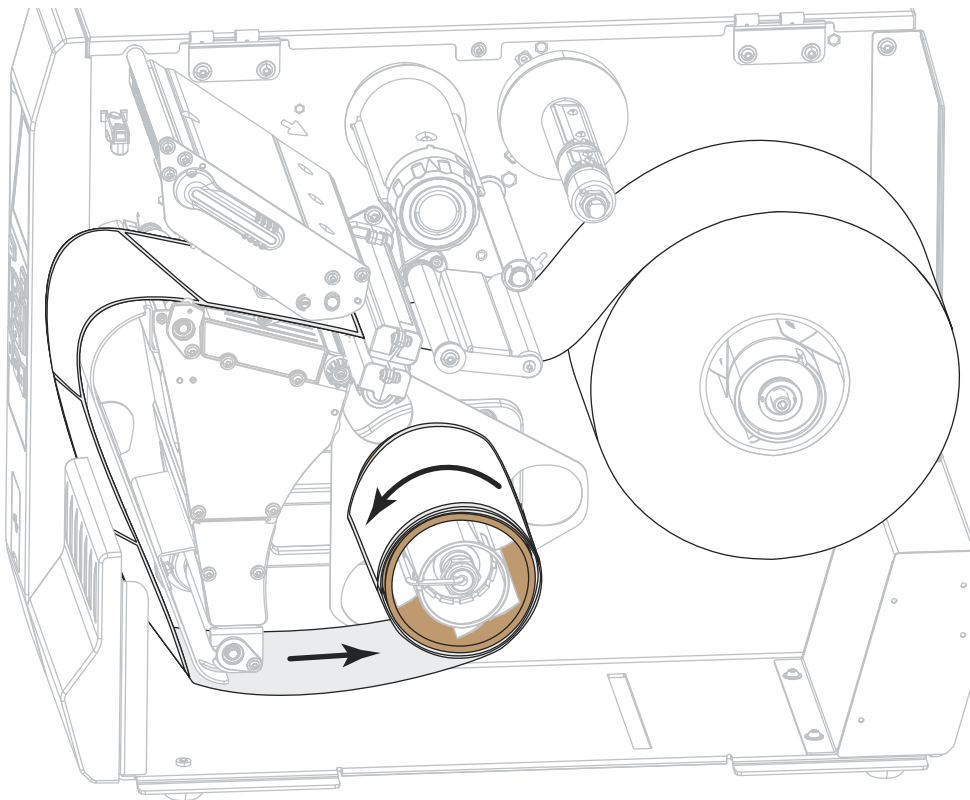
7. Tirez environ 500 mm (18 pouces) de papier à l'extérieur de l'imprimante.



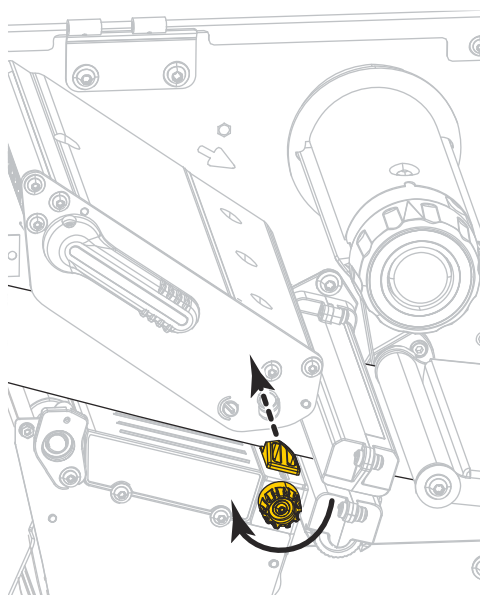
8. Passez le support au-dessus du réenrouleur/récupérateur.



9. Enroulez le papier autour de l'axe du réenrouleur comme illustré. Faites tourner plusieurs fois l'axe pour serrer et tendre le papier.



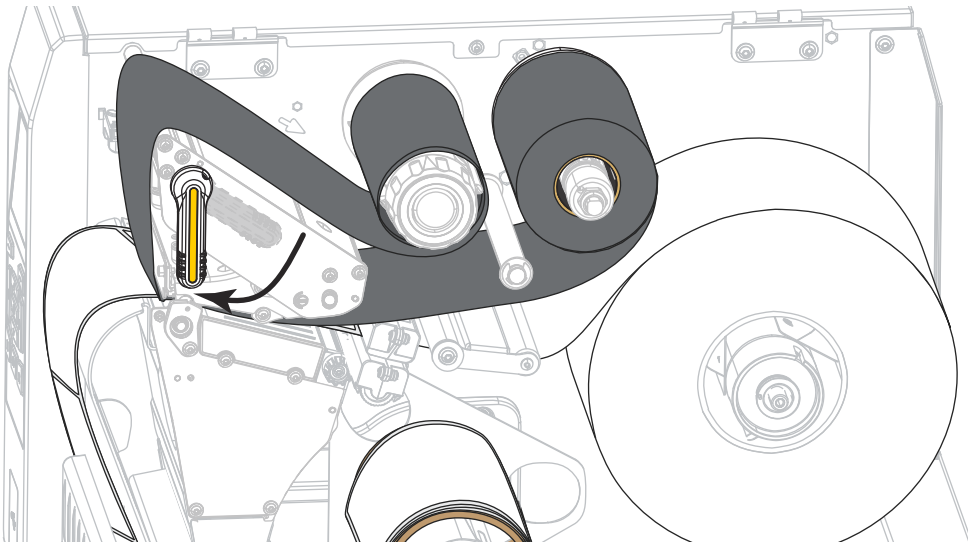
10. Tournez le bouton de réglage du guide de papier comme indiqué, jusqu'à ce que le guide touche le bord du papier.



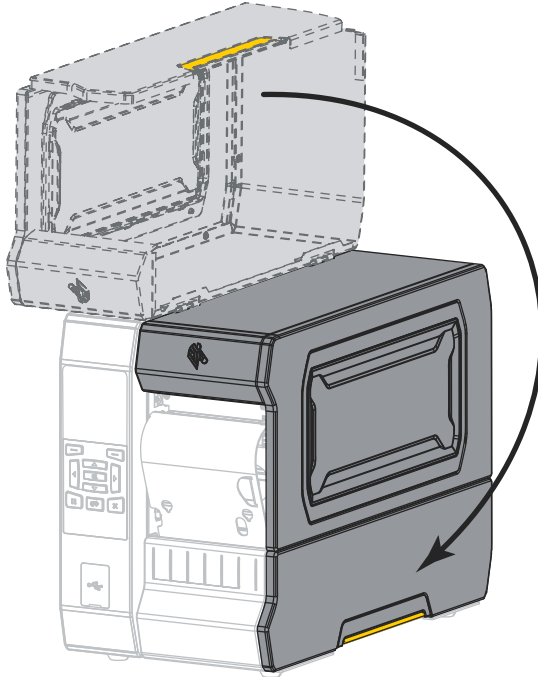
11. Le papier que vous utilisez exige-t-il utilisation d'un ruban ? Si vous avez un doute, reportez-vous à la section *Conditions d'utilisation d'un ruban* à la page 24.

Si vous utilisez le...	Alors...
Papier thermique direct (aucun ruban nécessaire)	Passez à l'étape 12.
Transfert thermique (ruban nécessaire)	<p>a. Si vous ne l'avez pas encore fait, chargez le ruban dans l'imprimante. Voir <i>Chargement du ruban</i> à la page 58.</p> <p>b. Passez à l'étape 12.</p>

12. Actionnez le levier d'ouverture de la tête d'impression vers le bas jusqu'à ce que la tête d'impression s'enclenche.



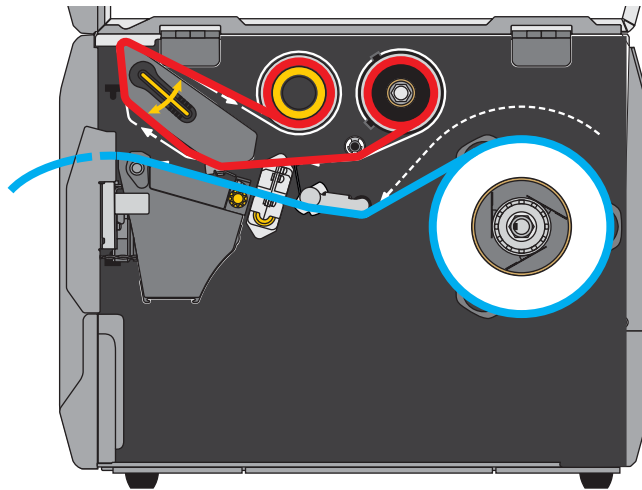
13. Refermez le panneau d'accès aux supports.



14. Configurez l'imprimante en mode réenrouleur (pour plus d'informations, voir [PRESENTATION EN](#) à la page 110).
15. Appuyez sur PAUSE pour quitter le mode Pause et activer l'impression.  
L'imprimante peut calibrer ou faire avancer une étiquette, en fonction des paramètres que vous avez définis.
16. Pour obtenir de meilleurs résultats, calibrez l'imprimante. Voir [Calibrage des cellules ruban et papier](#) à la page 193.
17. Si vous le souhaitez, imprimez une configuration ou une autre étiquette pour vérifier que votre imprimante peut réaliser une impression. (Reportez-vous à la section [INFOS IMPRESSION](#) à la page 119.)

**Le papier est à présent chargé en mode Réenrouleur.**

## Mode Coupe ou mode Coupe retardée

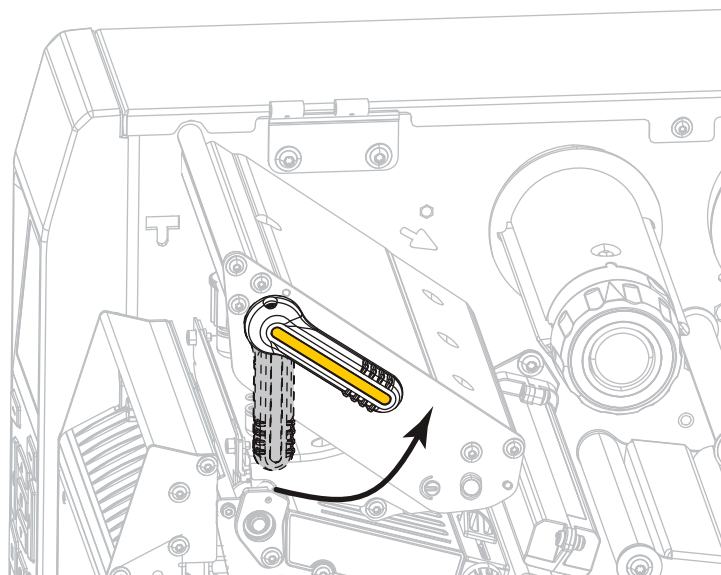


1. Si vous ne l'avez pas encore fait, suivez les instructions de la section *Insertion du papier dans l'imprimante* à la page 32.

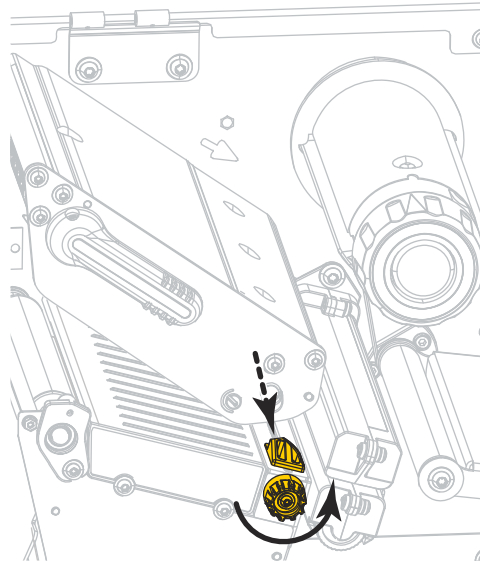


2. **Attention** • La tête d'impression peut être très chaude et risque de provoquer des brûlures graves. Attendez qu'elle refroidisse.

Ouvrez la tête d'impression en faisant tourner le levier d'ouverture de tête vers le haut.

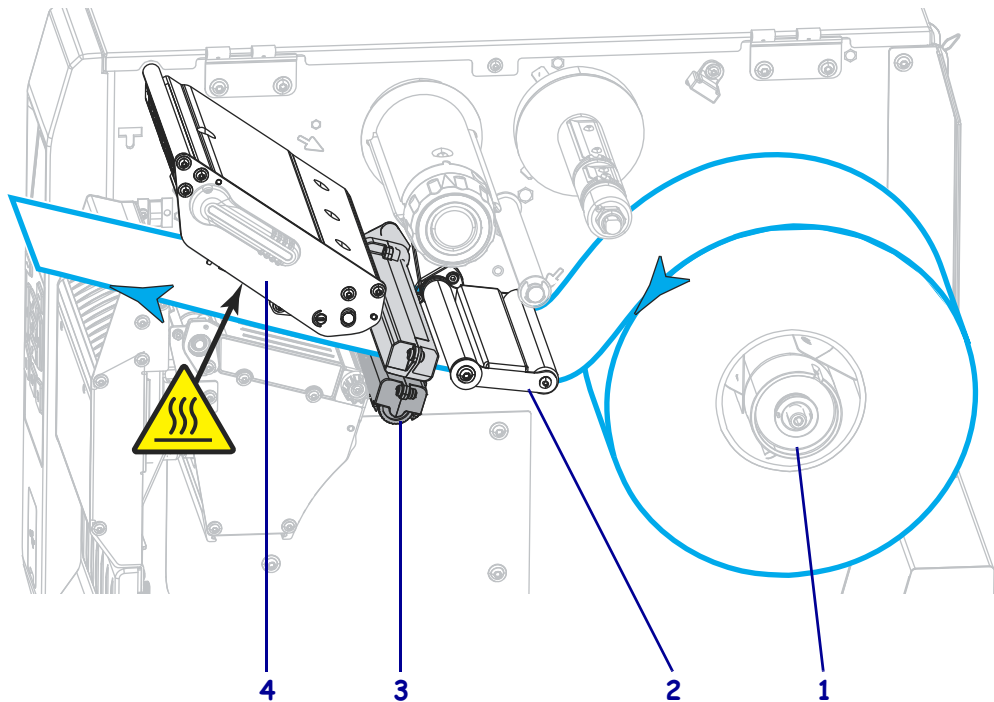


3. Tournez le bouton de réglage du guide de papier comme indiqué, jusqu'à ce que le guide sorte complètement.



4. **Attention** • La tête d'impression peut être très chaude et risque de provoquer des brûlures graves. Attendez qu'elle refroidisse.

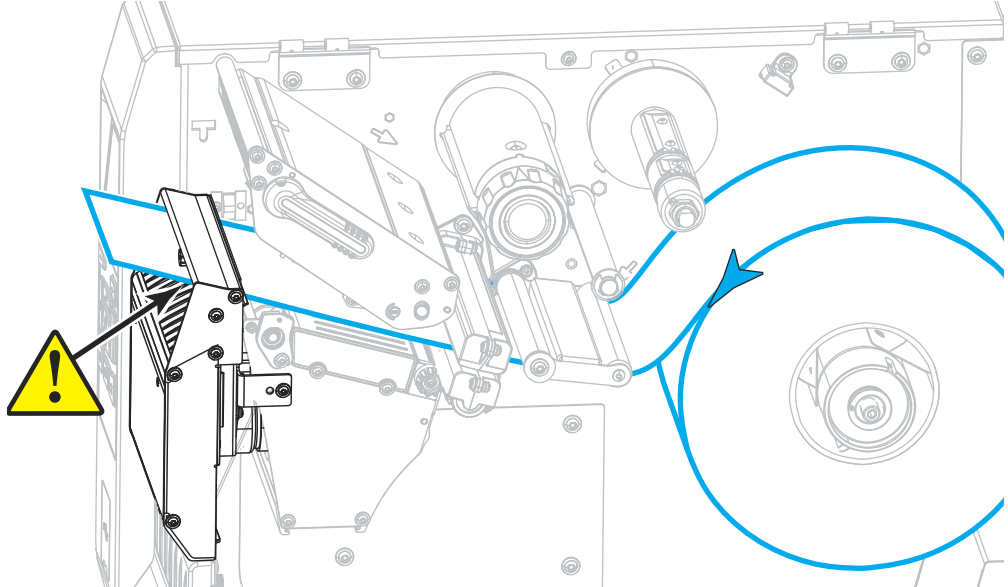
À partir du mandrin (1), insérez le papier en le faisant passer sous le rouleau danseur (2), à travers la cellule papier (3), puis sous la tête d'impression (4). Faites glisser le papier jusqu'à ce qu'il touche la paroi arrière interne de la cellule papier supérieure.



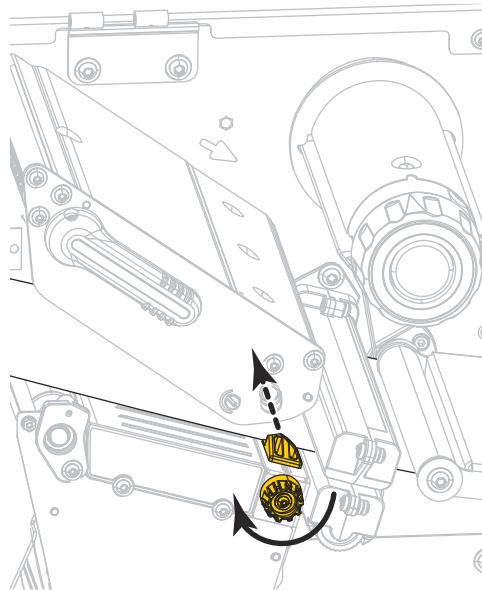


5. **Attention** • La lame est tranchante. Vous ne devez pas toucher ni froter la lame avec vos doigts.

Insérez le papier sur la lame.



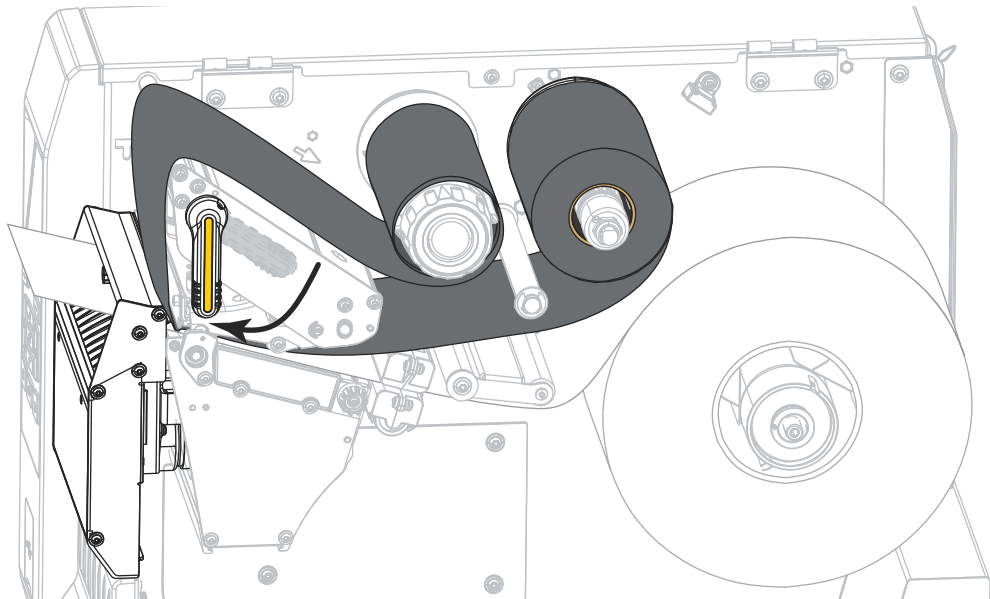
6. Tournez le bouton de réglage du guide de papier comme indiqué, jusqu'à ce que le guide touche le bord du papier.



7. Le papier que vous utilisez exige-t-il utilisation d'un ruban ? Si vous avez un doute, reportez-vous à la section *Conditions d'utilisation d'un ruban* à la page 24.

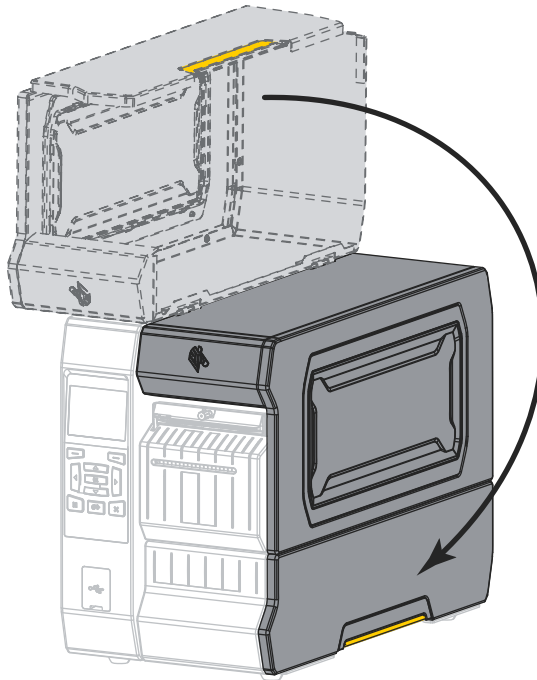
<b>Si vous utilisez le...</b>	<b>Alors...</b>
Papier thermique direct (aucun ruban nécessaire)	Passez à l'étape 8.
Transfert thermique (ruban nécessaire)	<b>a.</b> Si vous ne l'avez pas encore fait, chargez le ruban dans l'imprimante. Voir <i>Chargement du ruban</i> à la page 58. <b>b.</b> Passez à l'étape 8.

8. Actionnez le levier d'ouverture de la tête d'impression vers le bas jusqu'à ce que la tête d'impression s'enclenche.





9. Refermez le panneau d'accès aux supports.



10. Configurez l'imprimante dans le mode approprié (pour plus d'informations, voir [PRESENTATION EN](#) à la page 110).
11. Appuyez sur PAUSE pour quitter le mode Pause et activer l'impression.  
L'imprimante peut calibrer ou faire avancer une étiquette, en fonction des paramètres que vous avez définis.
12. Pour obtenir de meilleurs résultats, calibrez l'imprimante. Voir [Calibrage des cellules ruban et papier](#) à la page 193.
13. Si vous le souhaitez, imprimez une configuration ou une autre étiquette pour vérifier que votre imprimante peut réaliser une impression. (Reportez-vous à la section [INFOS IMPRESSION](#) à la page 119.)

**Le papier est à présent chargé en mode coupe.**

## Chargement du ruban



**Remarque** • Cette section s'applique uniquement aux imprimantes avec l'option Transfert thermique installée.

Le ruban n'est utilisé qu'avec les étiquettes à transfert thermique. Pour les étiquettes à impression thermique directe, ne chargez pas de ruban dans l'imprimante. Pour déterminer si vous devez utiliser un ruban avec un papier spécifique, consultez la section *Conditions d'utilisation d'un ruban* à la page 24.

---

**Attention** • Lorsque vous travaillez à proximité d'une tête d'impression ouverte, retirez les bagues, montres, colliers, badges d'identification ou autres objets métalliques susceptibles d'entrer en contact avec la tête d'impression. Bien que cela ne soit pas obligatoire, il est conseillé de mettre l'imprimante hors tension lorsque vous travaillez à proximité d'une tête d'impression ouverte, par mesure de précaution. Si vous mettez l'imprimante hors tension, vous perdrez tous les réglages temporaires, tels que les formats d'étiquettes, et vous devrez les recharger avant de reprendre l'impression.

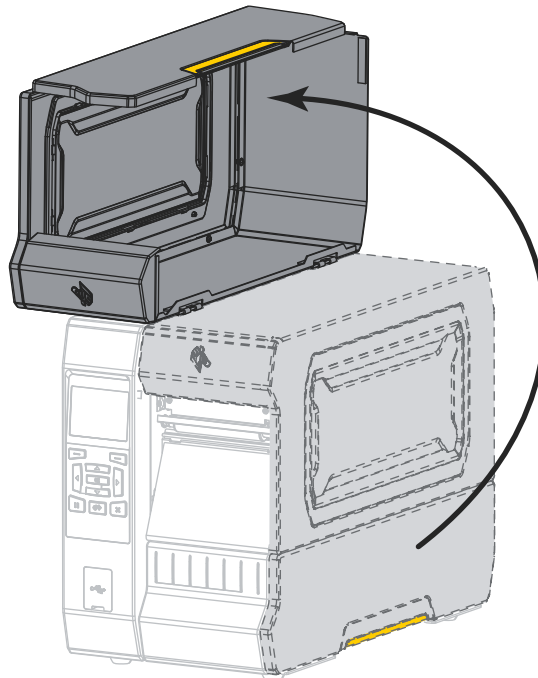
---



**Important** • Pour éviter l'usure de la tête d'impression, utilisez un ruban plus large que le papier. Le ruban doit être encre sur l'extérieur.

### Pour charger le ruban, procédez comme suit :

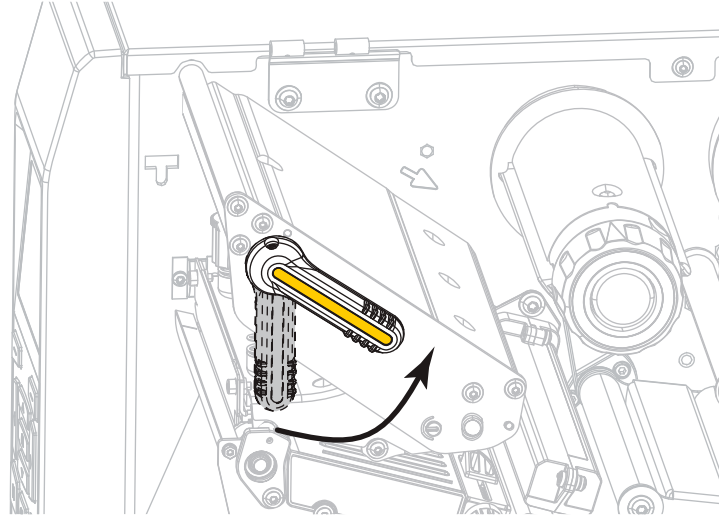
1. Soulevez le panneau d'accès aux supports.



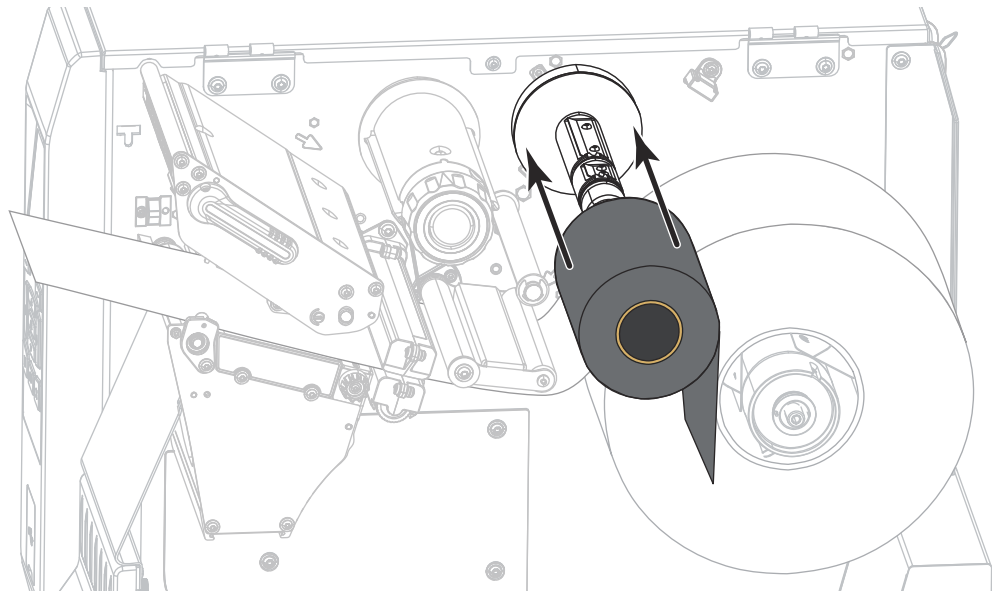


2. **Attention** • La tête d'impression peut être très chaude et risque de provoquer des brûlures graves. Attendez qu'elle refroidisse.

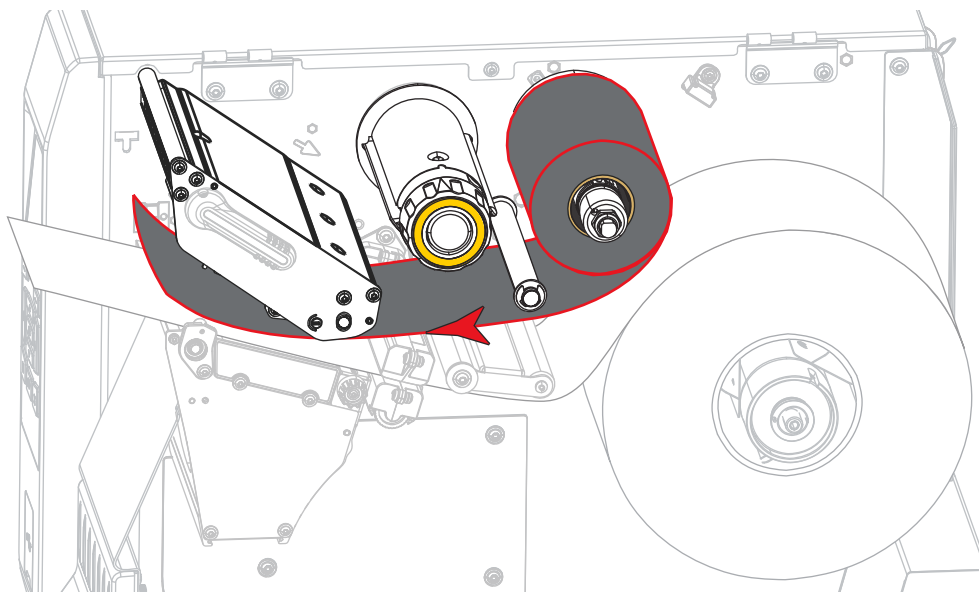
Ouvrez la tête d'impression en faisant tourner le levier d'ouverture de tête vers le haut.



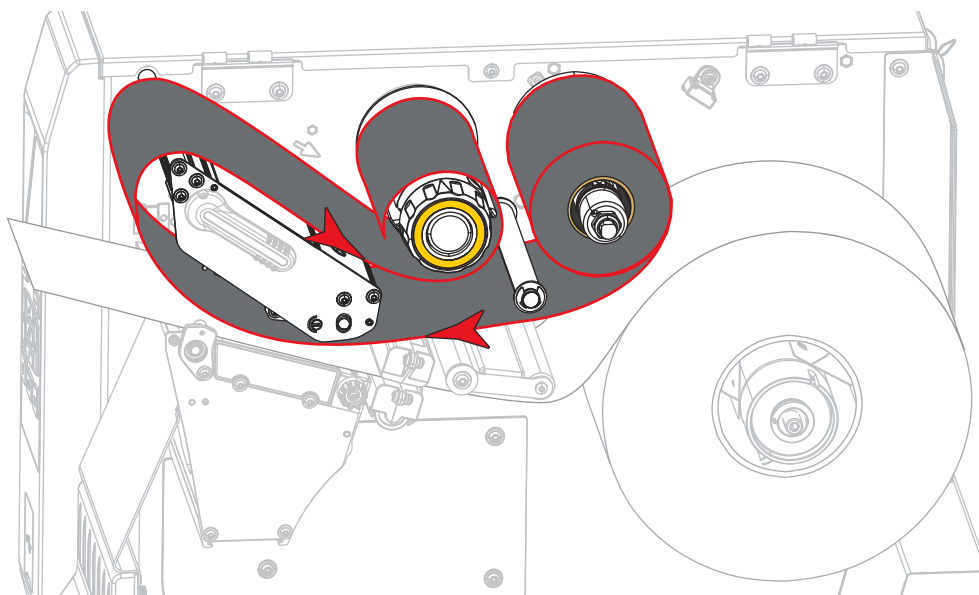
3. Placez le rouleau de ruban sur l'axe du rouleau de ruban, de sorte que l'extrémité libre se déroule tel que cela est indiqué dans l'illustration. Poussez le rouleau aussi loin que possible.



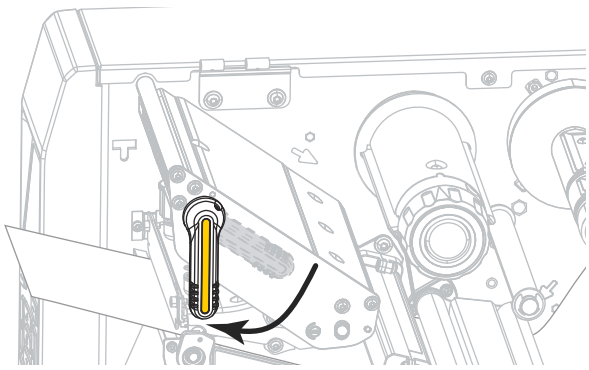
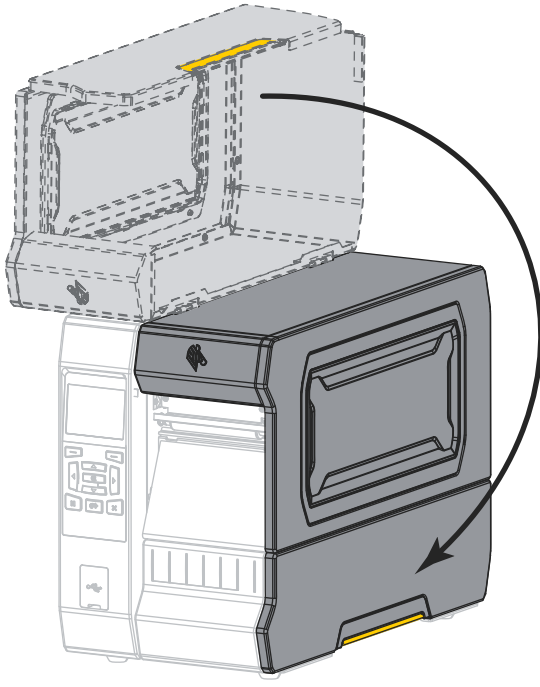
4. Insérez le ruban sous la tête d'impression, puis sous son côté gauche, comme indiqué ci-dessous.



5. Veillez à ce que le ruban aille aussi loin que possible sur la tête d'impression, puis enroulez-le autour du mandrin récupérateur. Faites tourner plusieurs fois le mandrin dans le sens indiqué pour serrer et aligner le ruban.



6. Le support est-il déjà chargé de l'imprimante ?

Si...	Alors...
Non	Passez à la section <i>Chargement du papier</i> à la page 32 pour charger le papier dans l'imprimante.
Oui	<p>a. Actionnez le levier d'ouverture de la tête d'impression vers le bas jusqu'à ce que la tête d'impression s'enclenche.</p>  <p>b. Refermez le panneau d'accès aux supports.</p>  <p>c. Si nécessaire, appuyez sur PAUSE pour activer l'impression.</p>

## Installation du pilote d'impression et connexion de l'imprimante à l'ordinateur

Cette section explique comment utiliser le logiciel Zebra Setup Utilities pour installer le pilote d'impression sur un ordinateur sous Microsoft Windows® avant de connecter l'imprimante à l'une des interfaces de communication disponibles. Si vous ne l'avez pas encore fait, installez ledit logiciel en suivant les instructions de cette section. Vous pouvez ensuite connecter l'imprimante à votre ordinateur à l'aide de l'une des entrées disponibles.



**Important** • Vous devez utiliser le logiciel Zebra Setup Utilities ou l'application Zebra Printer Setup Utility pour les appareils Android (disponible gratuitement sur Google Play™ à l'adresse <https://play.google.com/store/apps/details?id=com.zebra.printersetup>) avant de connecter l'imprimante à votre ordinateur. Si vous connectez l'imprimante à l'ordinateur alors que le logiciel ou l'application n'y figure pas, le pilote d'impression risque de ne pas s'installer correctement.

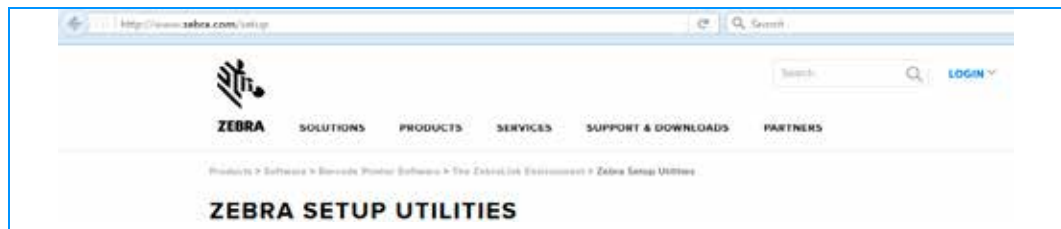
### Installation de Zebra Setup Utilities

Si Zebra Setup Utilities n'est pas installé sur votre ordinateur ou si vous voulez mettre à jour une version existante, suivez les instructions de cette section. Pour ce faire, vous n'avez pas besoin de désinstaller l'ancienne version ni les éventuels pilotes d'impression Zebra.

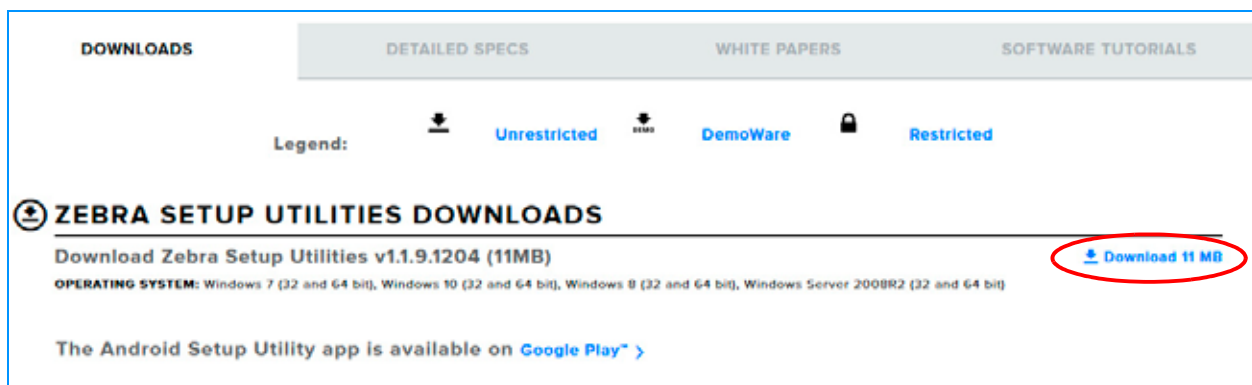
**Pour installer le logiciel Zebra Setup Utilities, procédez comme suit :**

#### Téléchargez le programme d'installation de Zebra Setup Utilities

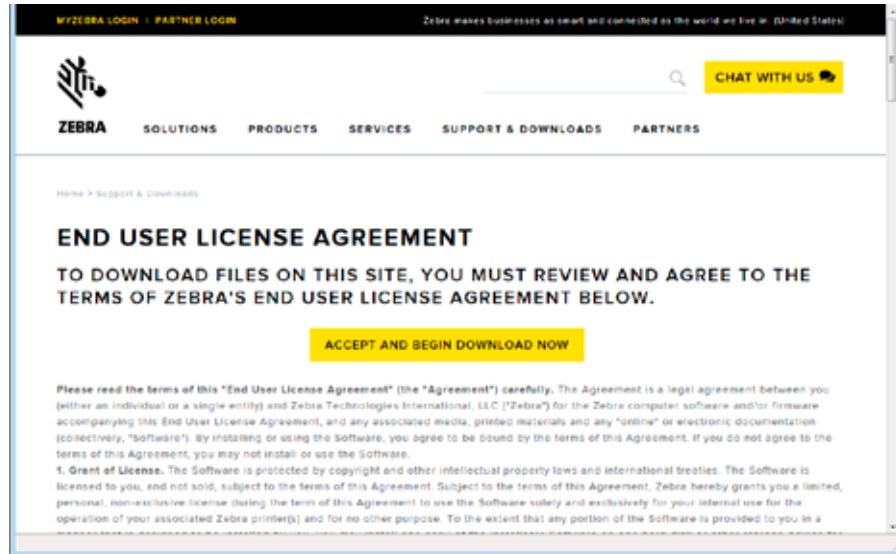
1. Accédez au site <http://www.zebra.com/setup>.  
La page Zebra Setup Utilities s'affiche.



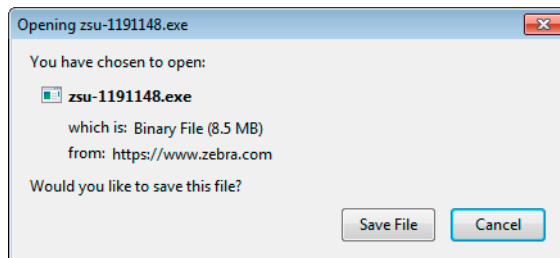
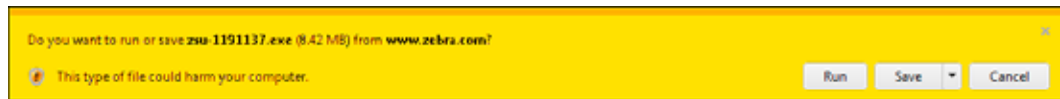
2. Dans l'onglet DOWNLOADS (Téléchargements), cliquez sur Download (Télécharger) sous l'option ZEBRA SETUP UTILITIES.



Vous êtes invité à lire et accepter le contrat de licence utilisateur final (EULA, End User License Agreement).



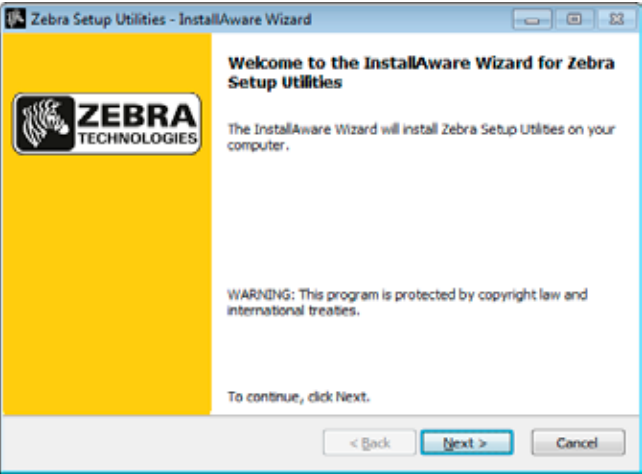
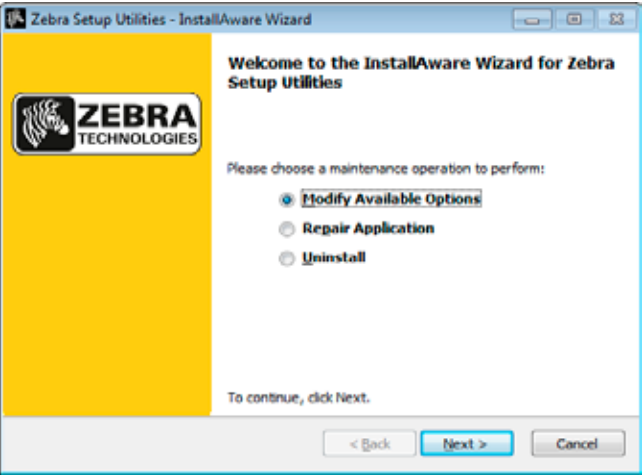
3. Si vous acceptez les conditions de l'EULA, cliquez sur **ACCEPT AND BEGIN DOWNLOAD NOW** (Accepter et télécharger maintenant)  
En fonction de votre navigateur, vous avez la possibilité d'ouvrir ou d'enregistrer le fichier exécutable.



**Exécutez le programme d'installation de Zebra Setup Utilities**

4. Enregistrez le programme sur votre ordinateur. Cette étape n'est pas nécessaire si votre navigateur vous propose d'exécuter le programme directement.
5. Lancez le fichier exécutable. Si votre ordinateur vous demande l'autorisation d'exécuter le fichier, cliquez sur le bouton correspondant.

Les options proposées par la suite varient selon que Zebra Setup Utilities est déjà installé ou non sur votre ordinateur. Suivez les instructions qui s'affichent.

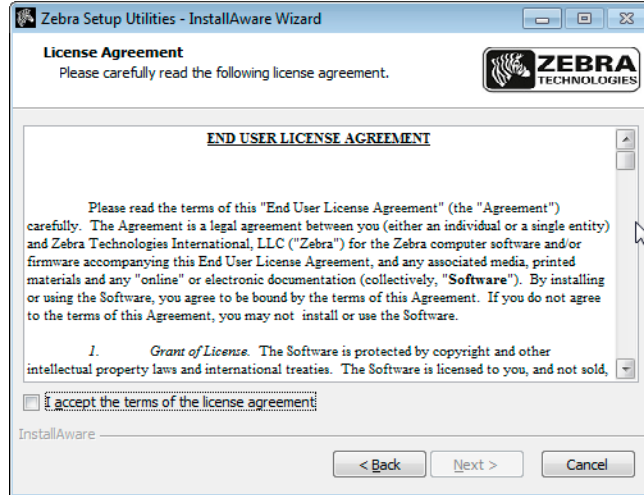
Si...	Alors...
Zebra Setup Utilities <b>n'est pas</b> installé sur votre ordinateur	<p>a. L'assistant Zebra Setup Utilities - InstallAware Wizard affiche la fenêtre suivante.</p>  <p>b. Passez à la section <i>Nouvelle installation de Zebra Setup Utilities</i> à la page 65.</p>
Zebra Setup Utilities <b>est déjà</b> installé sur votre ordinateur	<p>a. L'assistant Zebra Setup Utilities - InstallAware Wizard affiche la fenêtre suivante.</p>  <p>b. Passez à la section <i>Mise à jour d'une installation existante de Zebra Setup Utilities</i> à la page 67.</p>



## Nouvelle installation de Zebra Setup Utilities

6. Cliquez sur Next (Suivant).

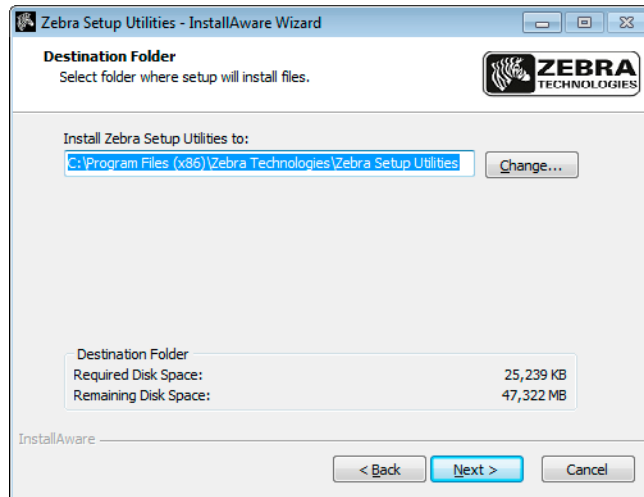
Vous êtes de nouveau invité à lire et accepter le contrat de licence utilisateur final (EULA, End User License Agreement).



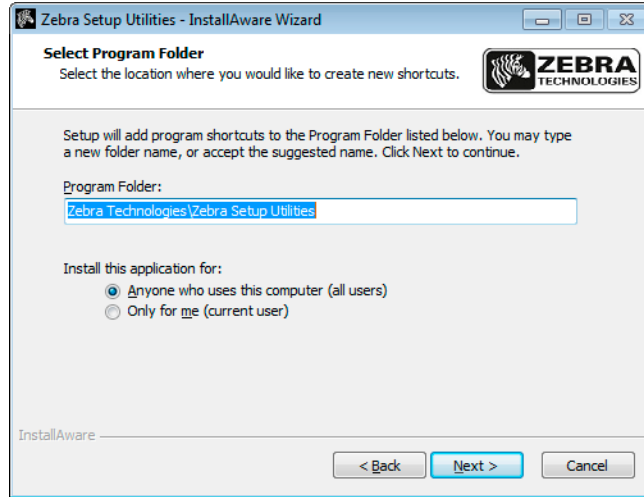
7. Si vous acceptez les conditions de l'EULA, cochez la case en regard de l'option « I accept the terms of the license agreement » (J'accepte les conditions du contrat de licence)

8. Cliquez sur Next (Suivant).

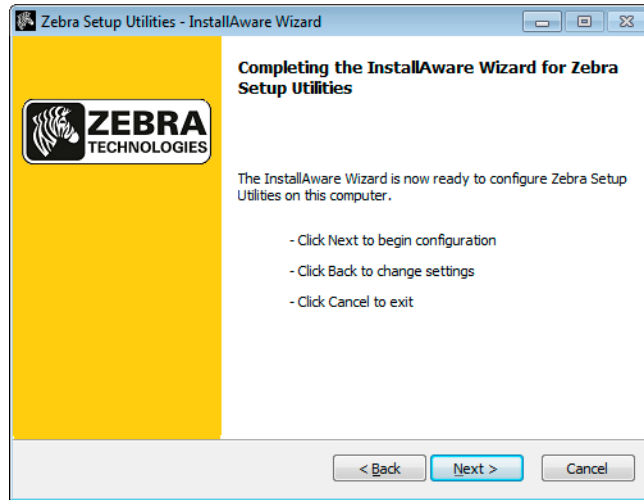
Vous êtes invité à préciser l'emplacement d'installation des fichiers.



9. Si nécessaire, modifiez le dossier de destination, puis cliquez sur Next (Suivant).  
Vous êtes invité à définir un emplacement pour les raccourcis du logiciel.



10. Si nécessaire, modifiez l'emplacement, puis cliquez sur Next (Suivant).  
Vous êtes invité à suivre la procédure de l'assistant InstallAware.

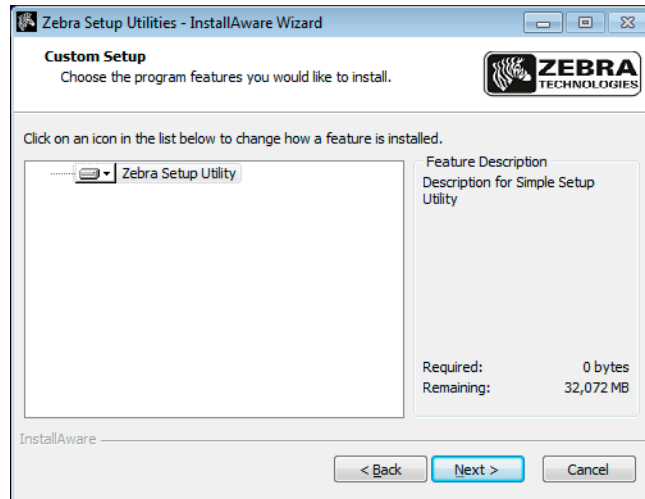


11. Passez à la section *Poursuite de l'installation ou de la mise à jour* à la page 68.

### Mise à jour d'une installation existante de Zebra Setup Utilities

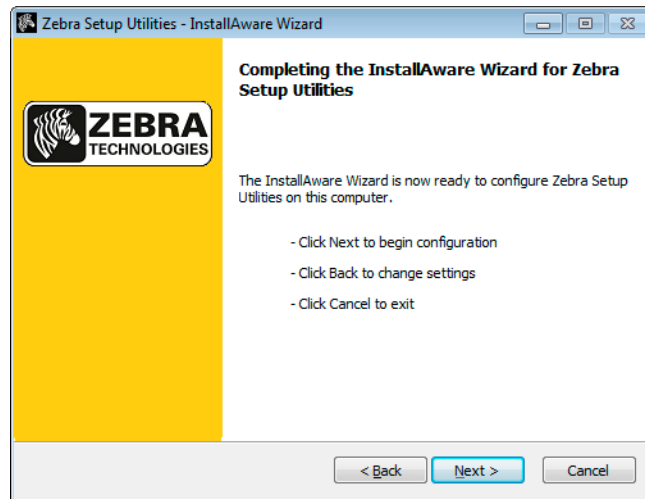
12. Cliquez sur Next (Suivant).

Vous êtes invité à sélectionner les fonctionnalités que vous voulez installer.



13. Cliquez sur Next (Suivant).

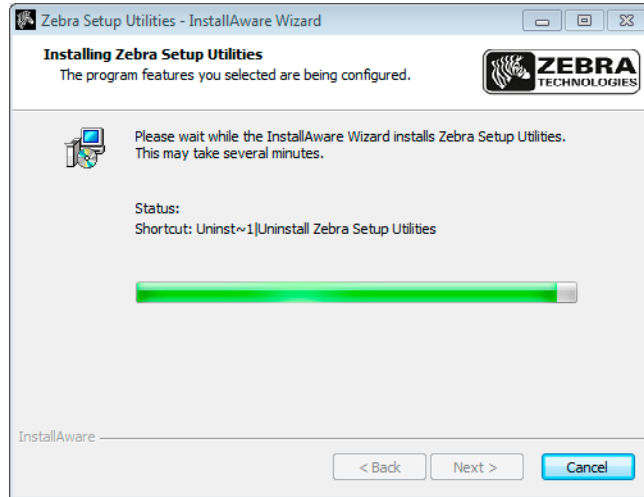
Vous êtes invité à suivre la procédure de l'assistant InstallAware.



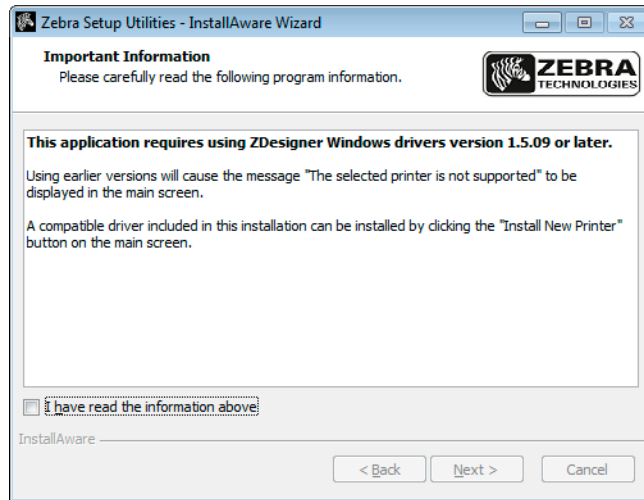
### Poursuite de l'installation ou de la mise à jour

14. Cliquez sur Next (Suivant).

L'installation commence.



Pendant l'installation, des informations sur les pilotes vous sont communiquées.



15. Lisez-les puis cochez la case en regard de l'option « I have read the information above » (J'ai lu les informations ci-dessus).

16. Cliquez sur Next (Suivant).

Vous avez la possibilité de réaliser différentes actions à la fermeture de l'assistant.




17. Cochez la case en regard de l'option « Run Zebra Setup Utilities now » (Exécuter Zebra Setup Utilities maintenant).

18. Cliquez sur Finish (Terminer).

Les options proposées par la suite varient selon que des pilotes d'impression Zebra sont déjà installés ou non. Suivez les instructions qui s'affichent.

Si...	Alors...	
Aucun pilote d'impression Zebra n'est installé sur votre ordinateur	L'assistant System Prepare Wizard (Assistant de préparation du système) s'affiche.	
	<b>Pour réaliser la connexion avec le...</b>	<b>Alors...</b>
	<b>Port USB</b>	Passez à la section <i>Connexion de l'imprimante à l'ordinateur via un port USB</i> à la page 71.
	<b>Port série ou parallèle en option</b>	Passez à la section <i>Connexion de l'imprimante à un ordinateur via un port série ou parallèle</i> à la page 75.

**70 | Installation et fonctionnement de l'imprimante**  
 Installation du pilote d'impression et connexion de l'imprimante à l'ordinateur

<b>Si...</b>	<b>Alors...</b>	
Un pilote d'impression Zebra est <b>déjà</b> installé sur votre ordinateur	L'écran Zebra Setup Utilities s'affiche. 	
<b>Pour réaliser la connexion avec le...</b>	<b>Alors...</b>	
<b>Port USB</b>	Passez à la section <i>Connexion de l'imprimante à un port USB de l'ordinateur</i> à la page 72.	
<b>Port série ou parallèle en option</b>	Passez à la section <i>Ajout d'une imprimante depuis l'écran Zebra Setup Utilities</i> à la page 78.	

## Connexion de l'imprimante à l'ordinateur via un port USB

Ne réalisez cette procédure qu'après avoir installé le logiciel Zebra Setup Utilities. Si nécessaire, suivez les étapes détaillées dans la section [Installation de Zebra Setup Utilities à la page 62](#) avant de continuer.



**Important** • Vous devez installer le logiciel Zebra Setup Utilities au préalable avant de connecter l'imprimante à l'ordinateur. Si vous connectez l'imprimante à l'ordinateur alors que le logiciel n'y figure pas, le pilote d'impression risque de ne pas s'installer correctement.

---

**Attention** • Avant de connecter les câbles de communication de données, assurez-vous que l'imprimante est hors tension (O). Si un câble de communication de données est connecté alors que l'imprimante est sous tension (I), celle-ci risque d'être endommagée.

---

**Pour connecter l'imprimante à votre ordinateur à l'aide du port USB, procédez comme suit :**

### Exécution de System Prepare Wizard (Assistant de préparation du système)

Si Zebra Setup Utilities s'affiche, vous n'avez pas besoin de suivre les étapes présentées ci-après. Passez à la section [Connexion de l'imprimante à un port USB de l'ordinateur à la page 72](#).

La première fois que vous installez le logiciel Zebra Setup Utilities et les pilotes d'impression, vous êtes invité à suivre les instructions de System Prepare Wizard (Assistant de préparation du système).

**Figure 8 • System Prepare Wizard (Assistant de préparation du système)**



1. Cliquez sur Next (Suivant).

System Prepare Wizard (Assistant de préparation du système) vous invite à brancher l'imprimante sur un port USB de votre ordinateur.



2. Cliquez sur Finish (Terminer).

L'écran Zebra Setup Utilities s'affiche.

### Connexion de l'imprimante à un port USB de l'ordinateur

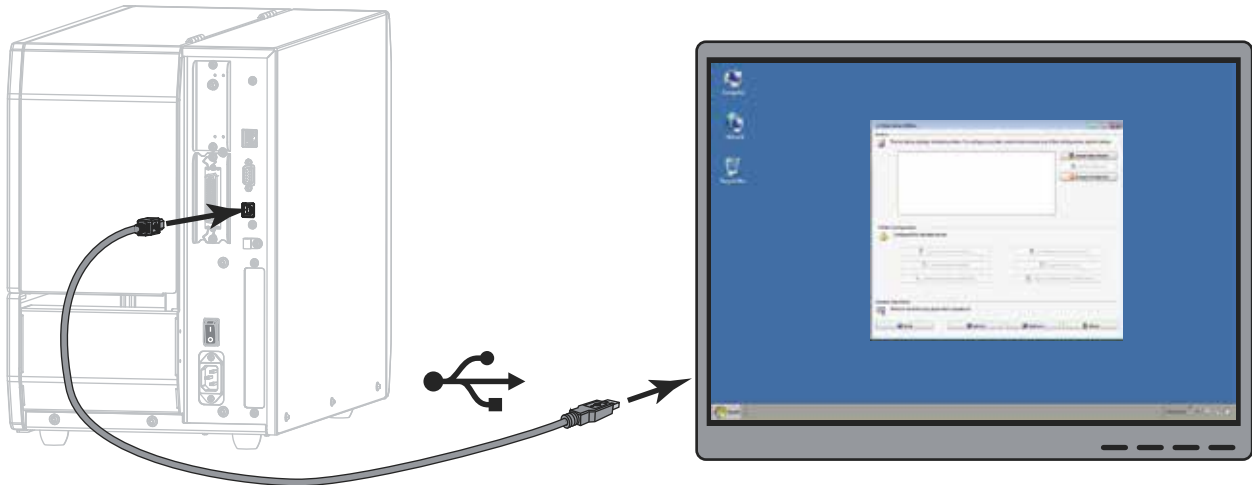
Réalisez cette procédure uniquement lorsque System Prepare Wizard (Assistant de préparation du système) vous y invite ou après avoir ouvert le logiciel Zebra Setup Utilities. Si nécessaire, suivez les étapes détaillées dans la section [Installation de Zebra Setup Utilities à la page 62](#) avant de continuer.

Figure 9 • Écran Zebra Setup Utilities

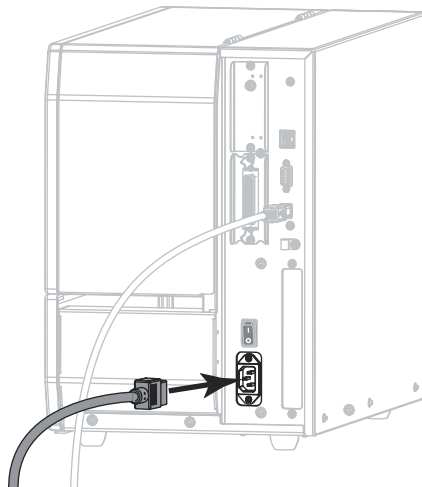




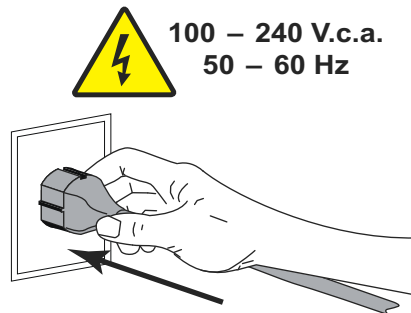
3. Branchez une extrémité du câble USB au port USB de l'imprimante et l'autre extrémité à votre ordinateur.



4. Branchez l'extrémité femelle du câble d'alimentation CA sur le connecteur d'alimentation situé à l'arrière de l'imprimante.



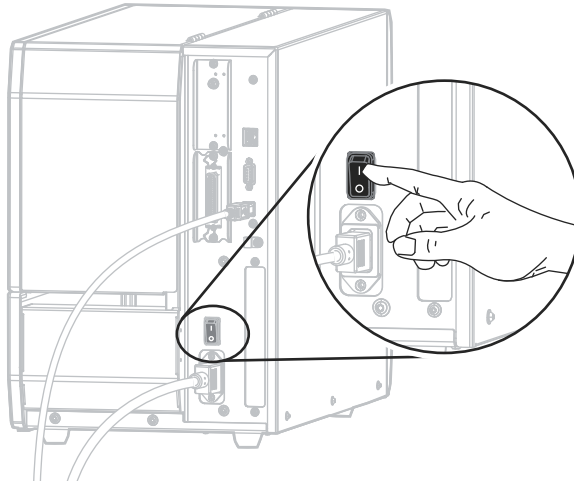
5. Branchez l'extrémité mâle du câble d'alimentation CA sur une prise secteur appropriée.



## 74 | Installation et fonctionnement de l'imprimante

Installation du pilote d'impression et connexion de l'imprimante à l'ordinateur—USB

6. Mettez l'imprimante sous tension (position I).



Au démarrage de l'imprimante, votre ordinateur termine l'installation du pilote et reconnaît votre appareil.

**L'installation pour la connexion USB est terminée.**

**ULINE**

1-800-295-5510

0720 IH-7378VND

## Connexion de l'imprimante à un ordinateur via un port série ou parallèle

Ne réalisez cette procédure qu'après avoir installé le logiciel Zebra Setup Utilities. Si nécessaire, suivez les étapes détaillées dans la section *Installation de Zebra Setup Utilities à la page 62* avant de continuer.



**Important** • Vous devez installer le logiciel Zebra Setup Utilities au préalable avant de connecter l'imprimante à l'ordinateur. Si vous connectez l'imprimante à l'ordinateur alors que le logiciel n'y figure pas, le pilote d'impression risque de ne pas s'installer correctement.

---

**Attention** • Avant de connecter les câbles de communication de données, assurez-vous que l'imprimante est hors tension (O). Si un câble de communication de données est connecté alors que l'imprimante est sous tension (I), celle-ci risque d'être endommagée.

---

### Pour connecter l'imprimante à votre ordinateur à l'aide du port USB, procédez comme suit :

Si Zebra Setup Utilities s'affiche, vous n'avez pas besoin de suivre les étapes présentées ci-après. Passez à la section *Ajout d'une imprimante depuis l'écran Zebra Setup Utilities à la page 78*.

#### Exécution de System Prepare Wizard (Assistant de préparation du système)

La première fois que vous installez le logiciel Zebra Setup Utilities et les pilotes d'impression, vous êtes invité à suivre les instructions de System Prepare Wizard (Assistant de préparation du système).

Figure 10 • System Prepare Wizard (Assistant de préparation du système)



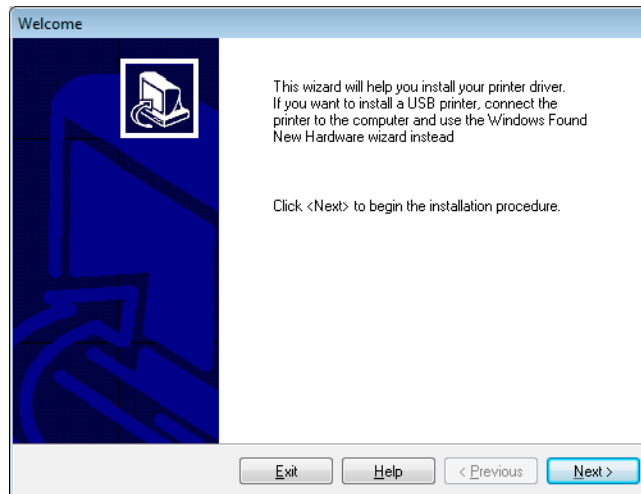
## 76 | Installation et fonctionnement de l'imprimante

Installation du pilote d'impression et connexion de l'imprimante à l'ordinateur—Série ou parallèle

1. Sélectionnez « Other computer ports (Parallel Port, Serial Port, TCP-IP Port, ...) » (Autres ports [port parallèle, port série, port TCP-IP, ...]), puis cliquez sur Next (Suivant).  
L'assistant vous invite à commencer la procédure d'installation.



2. Cliquez sur Finish (Terminer).  
L'assistant du pilote d'impression s'affiche.



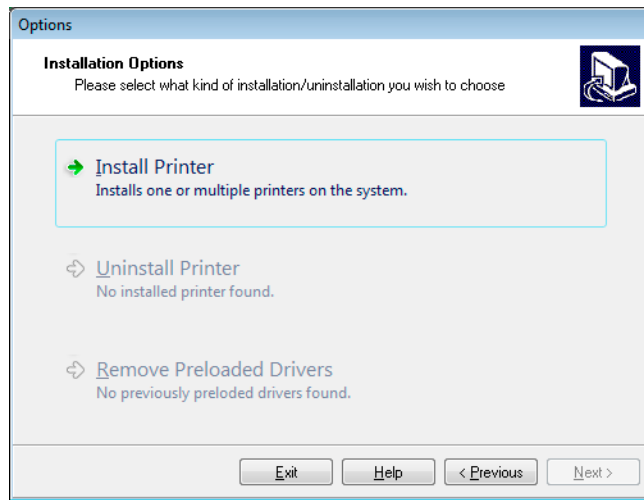
**ULINE**

1-800-295-5510

0720 IH-7378VND

3. Cliquez sur Next (Suivant).

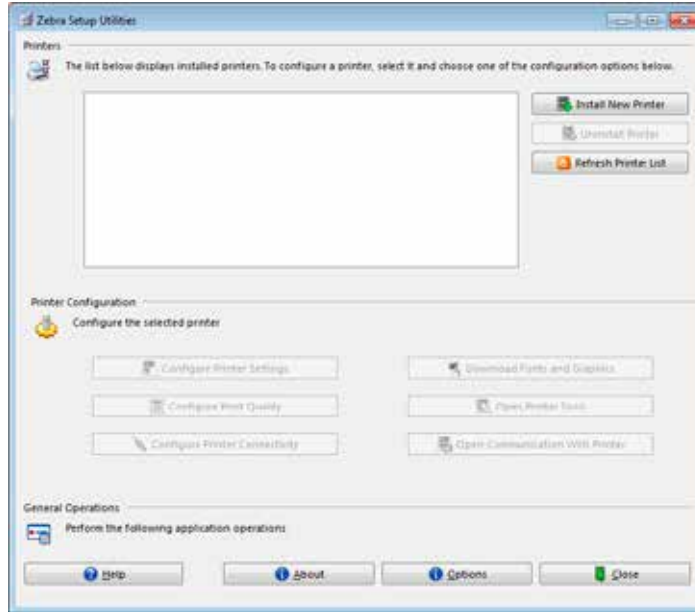
Vous êtes invité à sélectionner une option d'installation.



4. Passez à l'étape 6 à la page 79.

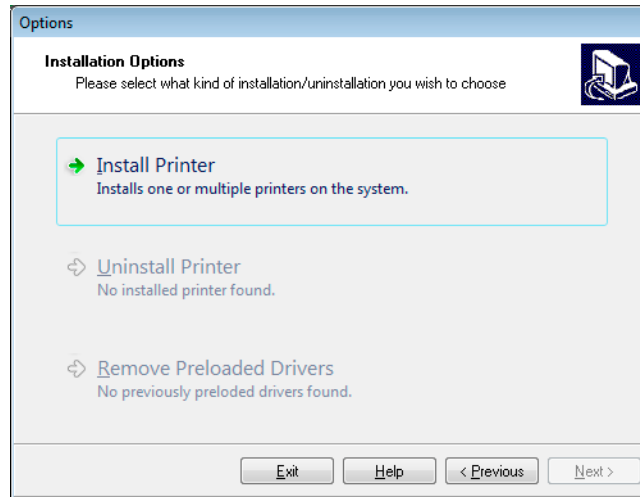
**Ajout d'une imprimante depuis l'écran Zebra Setup Utilities**

**Figure 11 • Écran Zebra Setup Utilities**



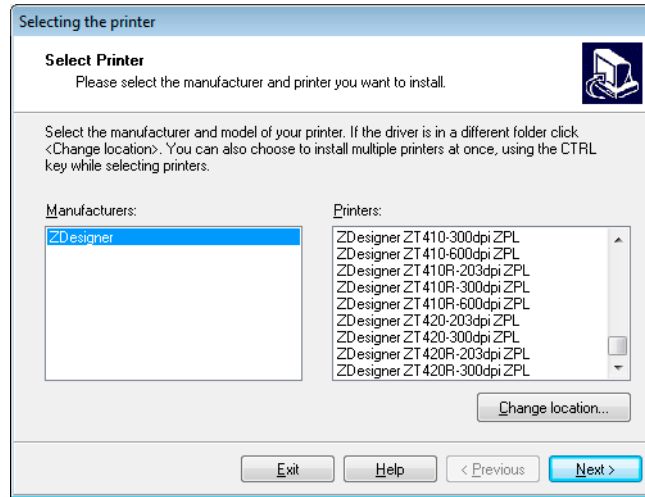
5. Sur l'écran Zebra Setup Utilities, cliquez sur Install New Printer (Installer une nouvelle imprimante).

Vous êtes invité à sélectionner une option d'installation.



6. Cliquez sur Install Printer (Installer l'imprimante).

Vous êtes invité à sélectionner un type d'imprimante.



7. Sélectionnez le modèle de votre imprimante et sa résolution.

Ces informations figurent sur l'étiquette de référence de l'imprimante, généralement apposée sous le mandrin. Ces informations sont présentées comme suit :

Part Number: XXXXXY - xxxxxxxx

où

XXXXX correspond au modèle d'imprimante

Y correspond à la résolution (2 = 203 ppp, 3 = 300 ppp, 6 = 600 ppp)

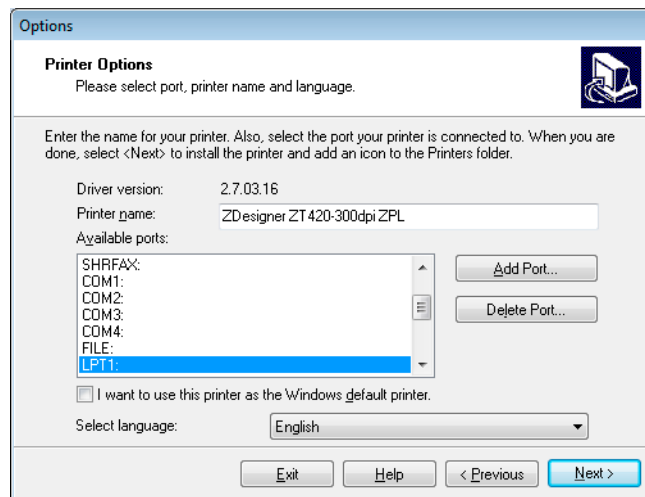
Par exemple, dans la référence **ZT620x3** - xxxxxxxx

**ZT620** signifie que le modèle de l'imprimante est le ZT620

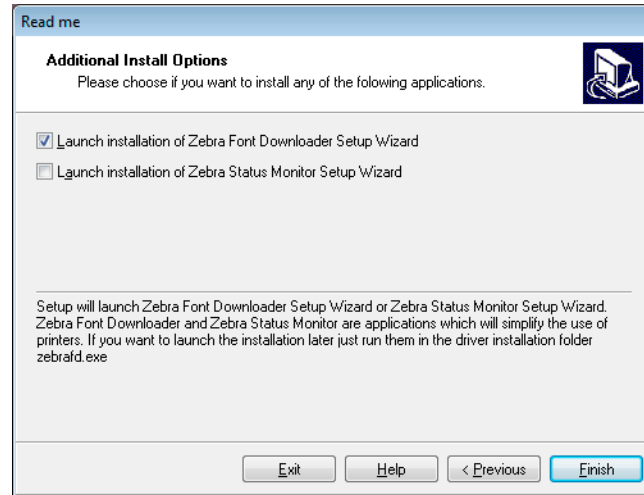
**3** indique que la résolution de la tête d'impression est de 300 ppp

8. Cliquez sur Next (Suivant).

Vous êtes invité à indiquer le nom de l'imprimante, le port auquel l'imprimante sera connectée et la langue du logiciel.



9. Si vous le souhaitez, modifiez le nom de l'imprimante et sélectionnez le port et la langue adéquats.
10. Cliquez sur Next (Suivant).  
Vous êtes invité à lancer d'autres assistants de configuration.

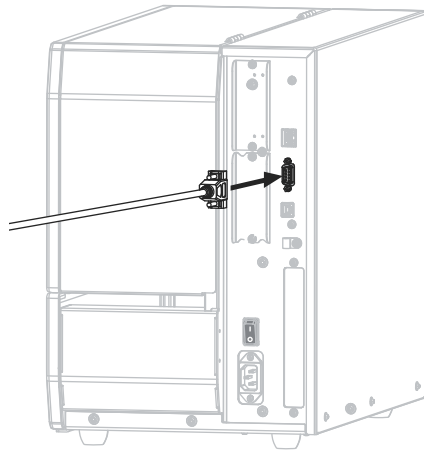


11. Cochez les options souhaitées, puis cliquez sur Finish (Terminer).  
Le pilote d'impression est installé. Si une fenêtre vous indique qu'il risque d'interférer avec d'autres programmes, cliquez sur Next (Suivant).

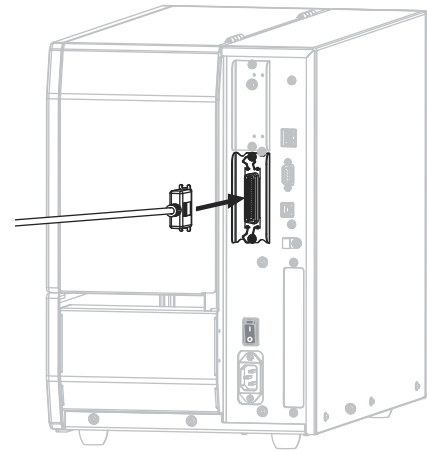


### Connexion de l'imprimante à un port série ou parallèle de l'ordinateur

12. Branchez le câble ou les deux câbles sur le port correspondant de votre imprimante.

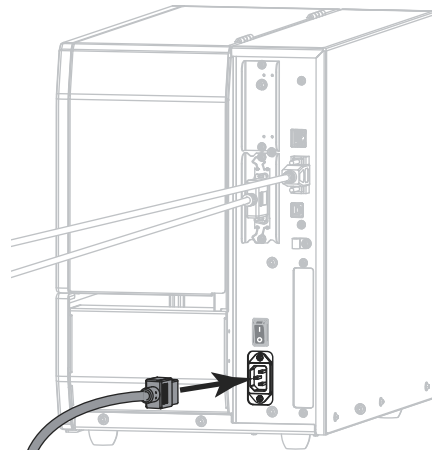


Connecteur série



Connecteur parallèle

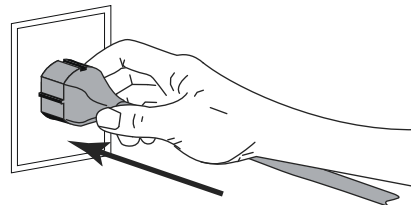
13. Branchez l'autre extrémité du câble au port correspondant de votre ordinateur.
14. Branchez l'extrémité femelle du câble d'alimentation CA sur le connecteur d'alimentation situé à l'arrière de l'imprimante.



15. Branchez l'extrémité mâle du câble d'alimentation CA sur une prise secteur appropriée.



100 – 240 V.c.a.  
50 – 60 Hz



**ULINE**

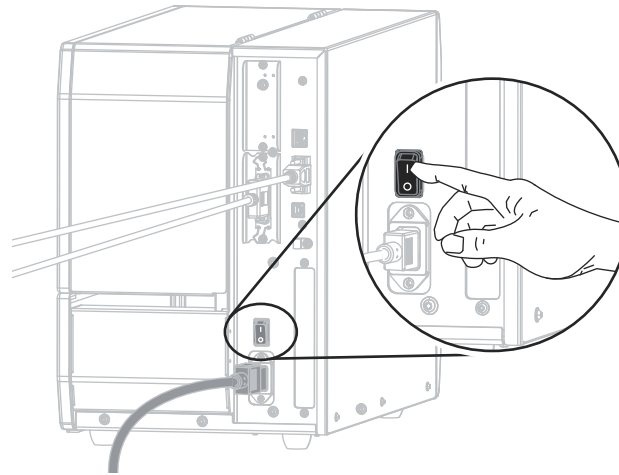
1-800-295-5510

0720 IH-7378VND

## 82 | Installation et fonctionnement de l'imprimante

Installation du pilote d'impression et connexion de l'imprimante à l'ordinateur—Série ou parallèle

16. Mettez l'imprimante sous tension (position I).



L'imprimante démarre.

### Configuration de l'imprimante (si nécessaire)

17. Si nécessaire, ajustez les paramètres du port de l'imprimante afin qu'ils correspondent à ceux de votre ordinateur. Pour plus d'informations, reportez-vous à la section *PORTS* à la page 103.

**L'installation pour la connexion série ou parallèle est terminée.**

**ULINE**

1-800-295-5510

0720 IH-7378VND

## Connexion au réseau via le port Ethernet de l'imprimante

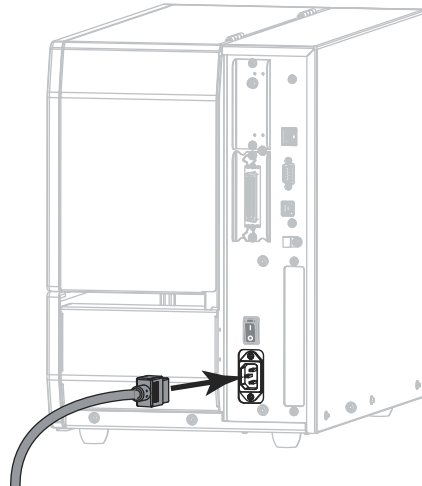
Si vous préférez connecter l'imprimante à un serveur d'impression câblé (Ethernet), vous devez la brancher à votre ordinateur à l'aide d'une des autres connexions disponibles. Une fois l'imprimante connectée, vous devez la configurer de sorte qu'elle communique avec votre réseau local (LAN) par le biais du serveur d'impression câblé.

Pour en savoir plus sur les serveurs d'impression Zebra, reportez-vous au *Guide d'utilisation des serveurs d'impression avec et sans fil ZebraNet*.  
Pour télécharger la dernière version de ce guide, accédez au site <http://www.zebra.com/zt600-info>.

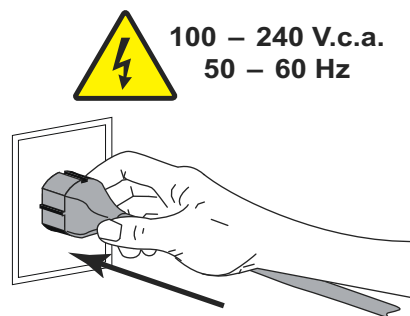


### Pour connecter l'imprimante à votre ordinateur via un serveur d'impression câblé, procédez comme suit :

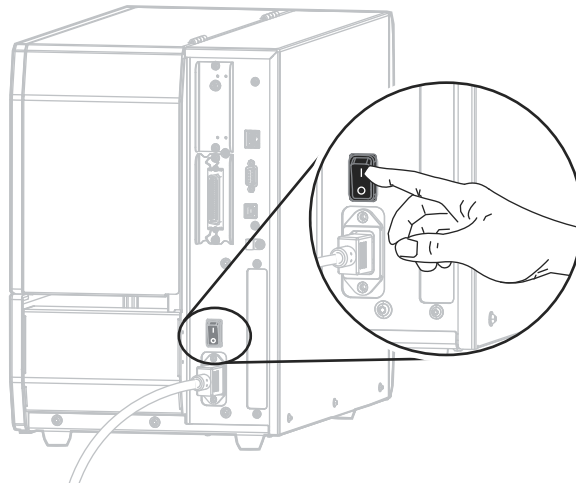
1. Installez Zebra Setup Utilities en suivant les instructions de la section *Installation de Zebra Setup Utilities* à la page 62.
2. Branchez l'extrémité femelle du câble d'alimentation CA sur le connecteur d'alimentation situé à l'arrière de l'imprimante.



3. Branchez l'extrémité mâle du câble d'alimentation CA sur une prise secteur appropriée.

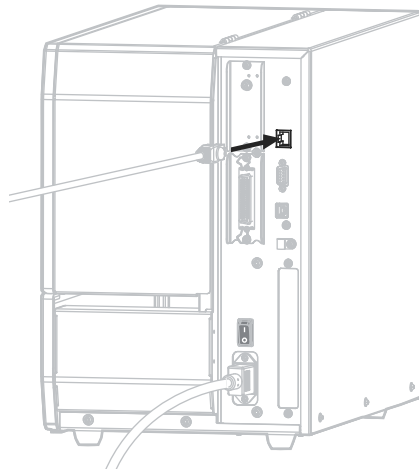


4. Mettez l'imprimante sous tension (position I).



L'imprimante démarre.

5. Branchez l'imprimante à un câble Ethernet connecté à votre réseau.



L'imprimante tente de communiquer avec le réseau. Si l'association est réussie, l'imprimante renseigne les valeurs de votre passerelle LAN et sous-réseau, et récupère une adresse IP. Sur l'écran de l'imprimante s'affichent en alternance la version du firmware et son adresse IP.

6. Consultez l'écran pour vérifier qu'une adresse IP a bien été assignée à l'imprimante. Voir [ADRESSE IP CÂBLÉE](#) à la page 144.

Si l'adresse IP de l'imprimante est...	Alors...
0.0.0.0 ou 000.000.000.000	Passez à la section <i>Configuration de l'imprimante avec les informations de votre réseau local LAN</i> (si nécessaire) à la page 85.
toute autre valeur	Passez à la section <i>Ajout d'une imprimante depuis l'écran Zebra Setup Utilities</i> à la page 86.

### Configuration de l'imprimante avec les informations de votre réseau local LAN (si nécessaire)

Si votre imprimante s'est connectée automatiquement à votre réseau, vous n'avez pas besoin de suivre la procédure ci-après. Passez à la section *Ajout d'une imprimante depuis l'écran Zebra Setup Utilities* à la page 86.

7. Connectez l'imprimante à votre ordinateur via un port USB, série ou parallèle en option, tel qu'indiqué dans les sections *Connexion de l'imprimante à l'ordinateur via un port USB* à la page 71 ou *Connexion de l'imprimante à un ordinateur via un port série ou parallèle* à la page 75.
8. Configurez les paramètres suivants de l'imprimante. Vous pouvez modifier les valeurs depuis Zebra Setup Utilities (cliquez sur Configure Printer Connectivity (Configurer la connectivité de l'imprimante) dans l'écran Zebra Setup Utilities) ou en suivant les procédures détaillées dans les liens suivants. Pour connaître les valeurs applicables sur votre réseau, contactez l'administrateur.
  - [PROTOCOLE IP WLAN](#) à la page 152 (remplacement de la valeur ALL [TOUT] par PERMANENT)
  - [PASSER. CÂBLÉE](#) à la page 146 (association à la valeur de la passerelle de votre réseau local)
  - [MASQ SS-RÉS CÂBLÉ](#) à la page 145 (association à la valeur du sous-réseau de votre réseau local)
  - [ADRESSE IP WLAN](#) à la page 149 (assignation d'une adresse IP unique à l'imprimante)

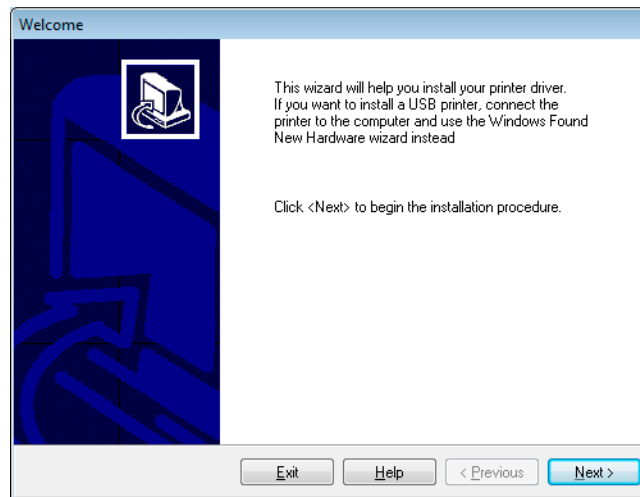
**Ajout d'une imprimante depuis l'écran Zebra Setup Utilities**

9. Si nécessaire, ouvrez le logiciel Zebra Setup Utilities.  
L'écran Zebra Setup Utilities s'affiche.

**Figure 12 • Écran Zebra Setup Utilities**

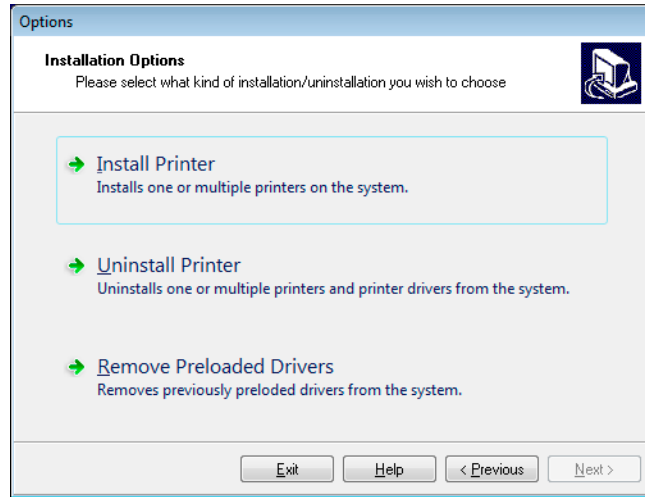


10. Cliquez sur Install New Printer (Installer une nouvelle imprimante).  
L'assistant du pilote d'impression s'affiche.



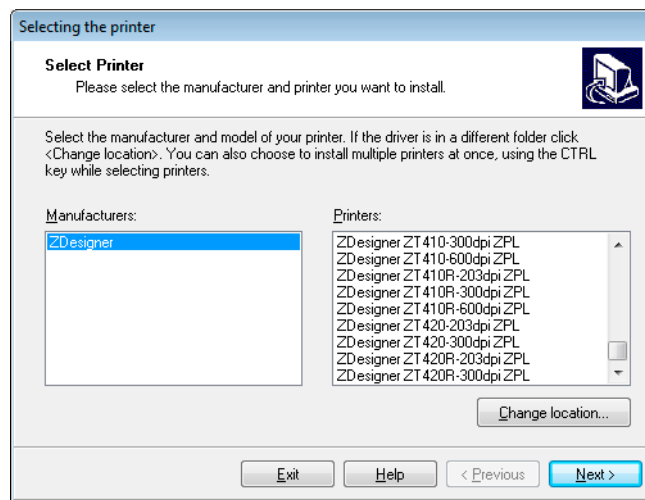
**11. Cliquez sur Next (Suivant).**

Vous êtes invité à sélectionner une option d'installation.



**12. Cliquez sur Install Printer (Installer l'imprimante).**

Vous êtes invité à sélectionner un type d'imprimante.



**13. Sélectionnez le modèle de votre imprimante et sa résolution.**

Ces informations figurent sur l'étiquette de référence de l'imprimante, généralement apposée sous le mandrin. Ces informations sont présentées comme suit :

**Part Number: XXXXXY - xxxxxxxx**

où

XXXXX correspond au modèle d'imprimante

Y correspond à la résolution (2 = 203 ppp, 3 = 300 ppp, 6 = 600 ppp)

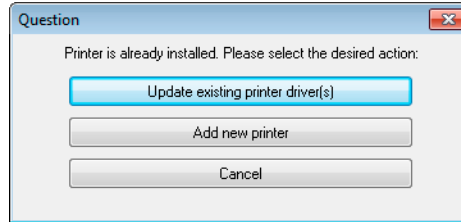
Par exemple, dans la référence **ZT620x3 - xxxxxxxx**

**ZT620** signifie que le modèle de l'imprimante est le ZT620

**3** indique que la résolution de la tête d'impression est de 300 ppp

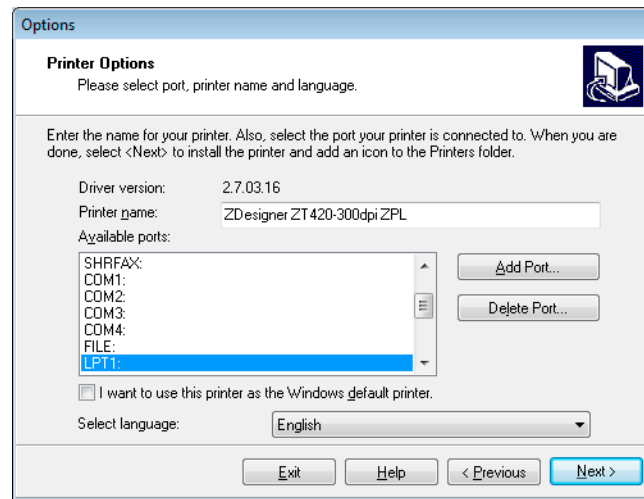
14. Cliquez sur Next (Suivant).

Vous êtes averti que l'imprimante est déjà installée.



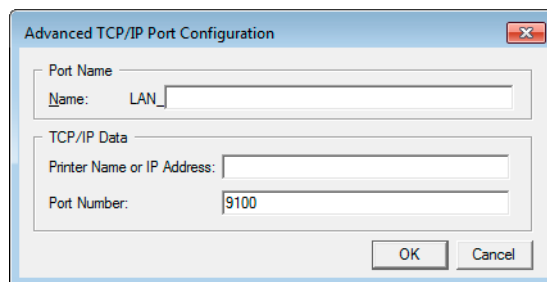
15. Cliquez sur Add New Printer (Ajouter une nouvelle imprimante).

Vous êtes invité à indiquer le nom de l'imprimante (Printer name), le port auquel l'imprimante sera connectée et la langue du logiciel.



16. Cliquez sur Add Port (Ajouter un port).

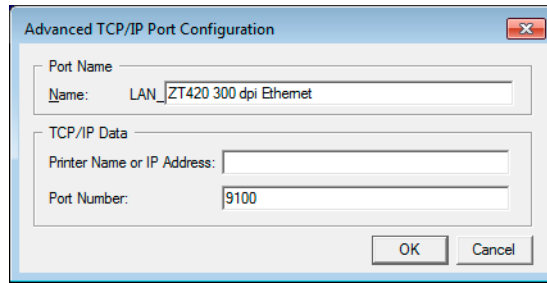
L'assistant vous invite à saisir un nom pour le port et l'adresse IP de l'imprimante.



**Remarque** • Si d'autres applications sont ouvertes, un message vous informe qu'un processus bloque le pilote. Vous pouvez cliquer sur Next (Suivant) pour continuer ou Exit (Quitter) pour enregistrer votre travail avant de poursuivre l'installation.



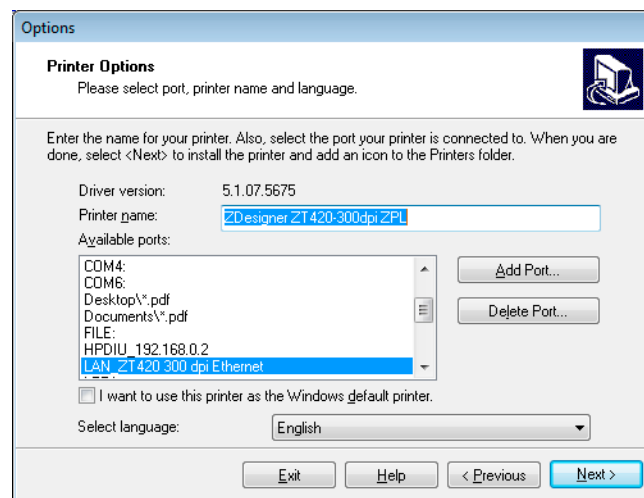
17. Attribuez au port un nom que vous pourrez reconnaître dans la liste des ports disponibles.



18. Saisissez l'adresse IP de l'imprimante. Il peut s'agir de celle assignée automatiquement ou d'une adresse que vous avez définie manuellement dans la section précédente.

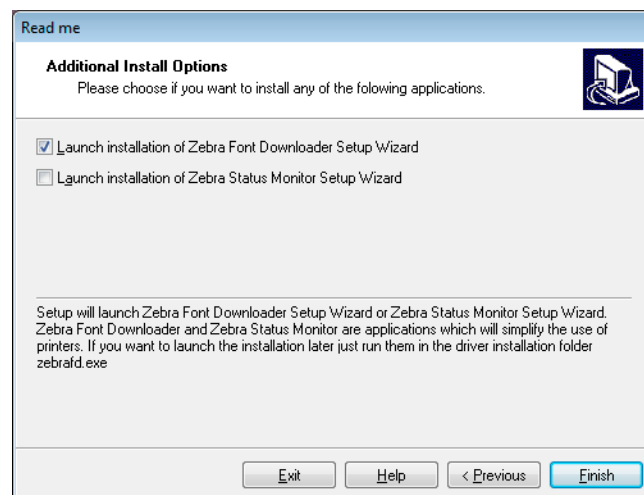
19. Cliquez sur OK.

Un pilote d'impression est créé et associé au nom du port que vous avez attribué. Le port de la nouvelle imprimante figure dans la liste de ports disponibles (Available ports).



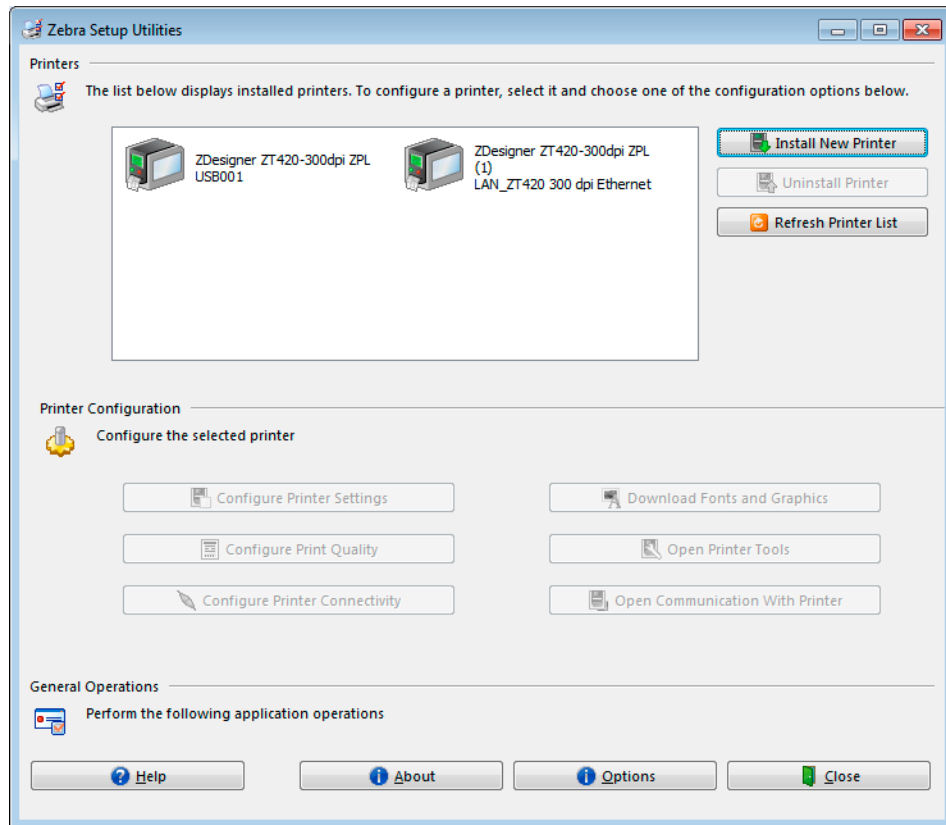
20. Cliquez sur Next (Suivant).

Vous êtes invité à lancer d'autres assistants de configuration.



**21.** Cochez les options souhaitées, puis cliquez sur Finish (Terminer).

Le pilote d'impression est installé. Si une fenêtre vous indique qu'il risque d'interférer avec d'autres programmes, cliquez sur l'option adéquate pour continuer.



**L'installation pour une connexion câblée (Ethernet) est terminée.**

## Connexion de l'imprimante à votre réseau sans fil

Si vous préférez connecter l'imprimante à un serveur d'impression sans fil en option, vous devez d'abord la brancher à votre ordinateur à l'aide d'une des autres connexions disponibles. Une fois l'imprimante connectée, vous devez la configurer de sorte qu'elle communique avec votre réseau local sans fil (WLAN) par le biais du serveur d'impression sans fil.

Pour en savoir plus sur les serveurs d'impression Zebra, reportez-vous au *Guide d'utilisation des serveurs d'impression avec et sans fil ZebraNet*.  
Pour télécharger la dernière version de ce guide, accédez au site <http://www.zebra.com/zt600-info>.



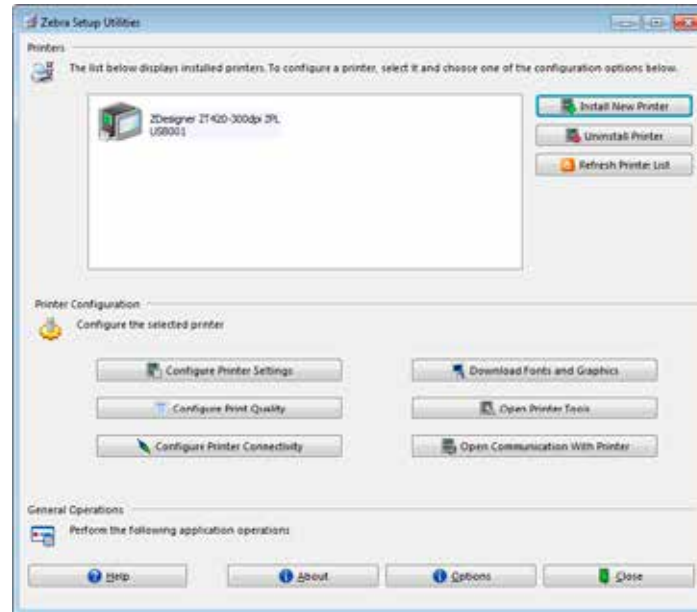
### Pour connecter l'imprimante à votre ordinateur via un serveur d'impression sans fil en option, procédez comme suit :

1. Installez Zebra Setup Utilities en suivant les instructions de la section *Installation de Zebra Setup Utilities* à la page 62.
2. Connectez l'imprimante à votre ordinateur via un port USB, série ou parallèle en option, tel qu'indiqué dans les sections *Connexion de l'imprimante à l'ordinateur via un port USB* à la page 71 ou *Connexion de l'imprimante à un ordinateur via un port série ou parallèle* à la page 75.
3. Configurez les paramètres suivants de l'imprimante. Vous pouvez modifier les valeurs depuis Zebra Setup Utilities (cliquez sur Configure Printer Connectivity (Configurer la connectivité de l'imprimante) dans l'écran Zebra Setup Utilities) ou en suivant les procédures détaillées dans les liens suivants. Pour connaître les valeurs applicables sur votre réseau, contactez l'administrateur.
  - *PROTOCOLE IP WLAN* à la page 152 (remplacement de la valeur ALL [TOUT] par PERMANENT)
  - *PASSERELLE WLAN* à la page 151 (association à la valeur de la passerelle de votre réseau sans fil)
  - *MASQ SS-RÉS WLAN* à la page 150 (association à la valeur du sous-réseau de votre réseau sans fil)
  - *ADRESSE IP WLAN* à la page 149 (assignation d'une adresse IP unique à l'imprimante)

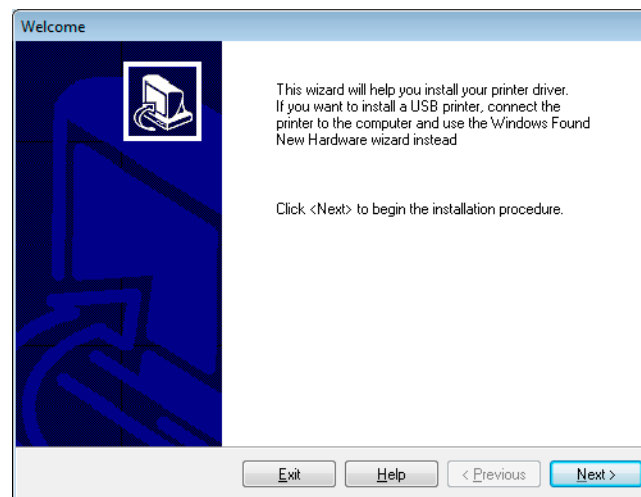
### Ajout d'une imprimante depuis l'écran Zebra Setup Utilities

4. Si nécessaire, ouvrez le logiciel Zebra Setup Utilities.  
L'écran Zebra Setup Utilities s'affiche.

Figure 13 • Écran Zebra Setup Utilities

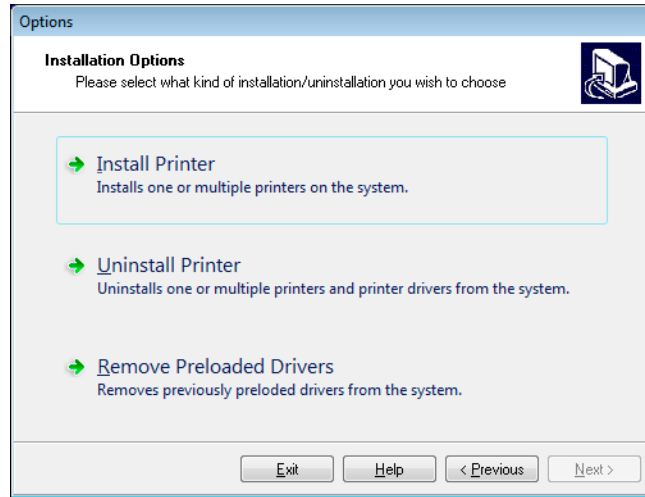


5. Cliquez sur Install New Printer (Installer une nouvelle imprimante).  
L'assistant du pilote d'impression s'affiche.



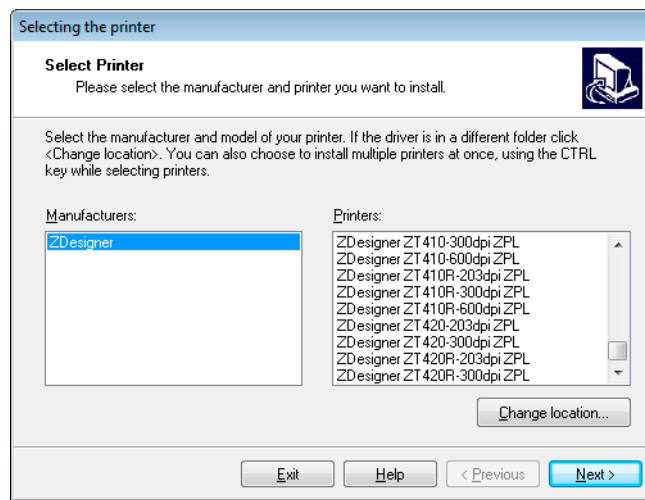
6. Cliquez sur Next (Suivant).

Vous êtes invité à sélectionner une option d'installation.



7. Cliquez sur Install Printer (Installer l'imprimante).

Vous êtes invité à sélectionner un type d'imprimante.



8. Sélectionnez le modèle de votre imprimante et sa résolution.

Ces informations figurent sur l'étiquette de référence de l'imprimante, généralement apposée sous le mandrin. Ces informations sont présentées comme suit :

Part Number: XXXXXY - xxxxxxxx

où

XXXXX correspond au modèle d'imprimante

Y correspond à la résolution (2 = 203 ppp, 3 = 300 ppp, 6 = 600 ppp)

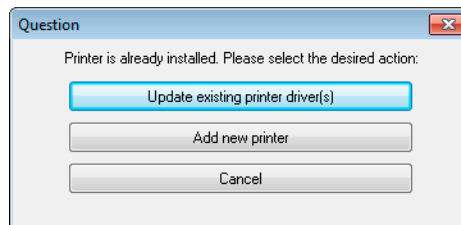
Par exemple, dans la référence **ZT620x3** - xxxxxxxx

**ZT620** signifie que le modèle de l'imprimante est le ZT620

**3** indique que la résolution de la tête d'impression est de 300 ppp

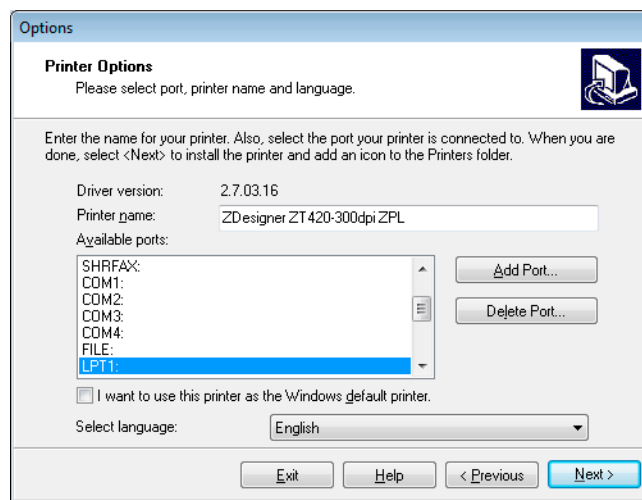
## 9. Cliquez sur Next (Suivant).

Vous êtes averti que l'imprimante est déjà installée.



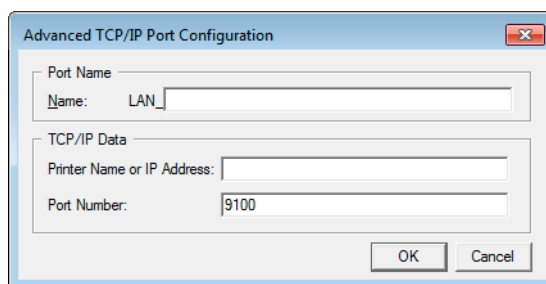
## 10. Cliquez sur Add New Printer (Ajouter une nouvelle imprimante).

Vous êtes invité à indiquer le nom de l'imprimante (Printer name), le port auquel l'imprimante sera connectée et la langue du logiciel.



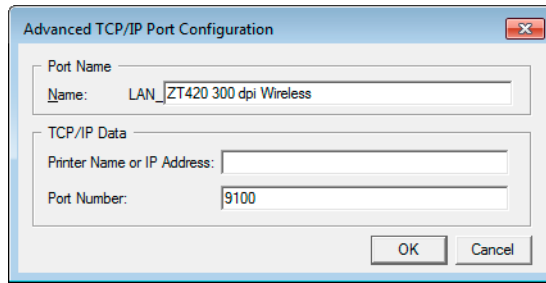
## 11. Cliquez sur Add Port (Ajouter un port).

L'assistant vous invite à saisir un nom pour le port et l'adresse IP de l'imprimante.



**Remarque** • Si d'autres applications sont ouvertes, un message vous informe qu'un processus bloque le pilote. Vous pouvez cliquer sur Next (Suivant) pour continuer ou Exit (Quitter) pour enregistrer votre travail avant de poursuivre l'installation.

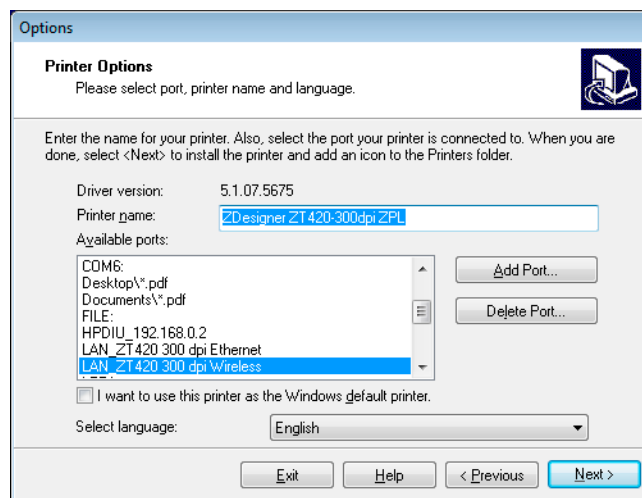
- Attribuez au port un nom que vous pourrez reconnaître dans la liste des ports disponibles.



- Saisissez l'adresse IP de l'imprimante. Il peut s'agir de celle assignée automatiquement ou d'une adresse que vous avez définie manuellement dans la section précédente.

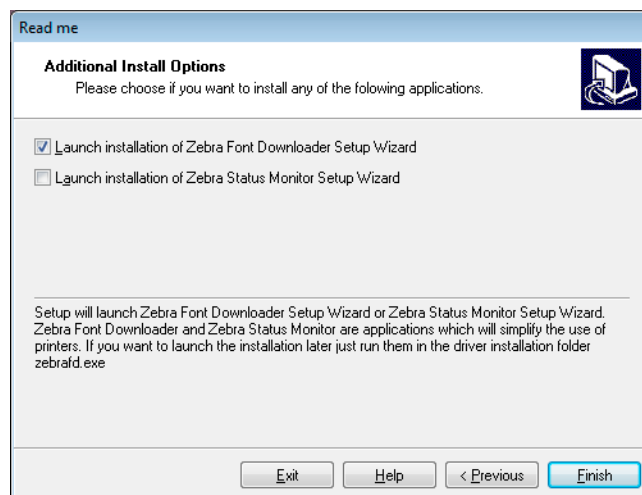
- Cliquez sur OK.

Un pilote d'impression est créé et associé au nom du port que vous avez attribué. Le port de la nouvelle imprimante figure dans la liste de ports disponibles (Available ports).



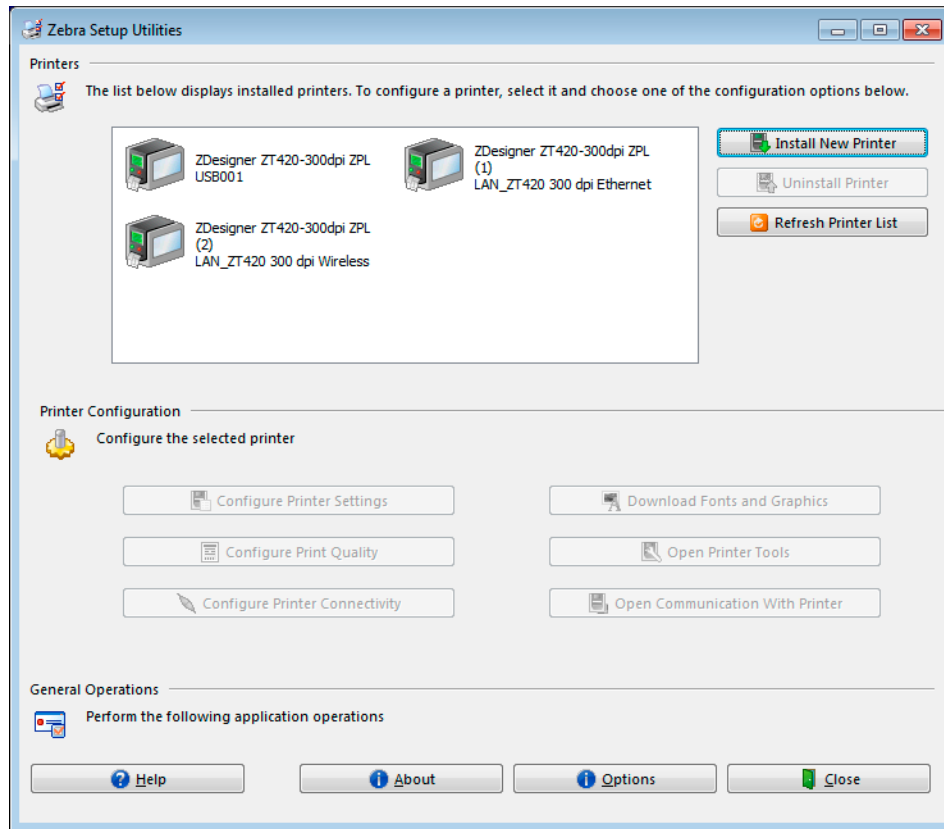
- Cliquez sur Next (Suivant).

Vous êtes invité à lancer d'autres assistants de configuration.



16. Cochez les options souhaitées, puis cliquez sur Finish (Terminer).

Le pilote d'impression est installé. Si une fenêtre vous indique qu'il risque d'interférer avec d'autres programmes, cliquez sur l'option adéquate pour continuer.



**L'installation pour la connexion sans fil est terminée.**

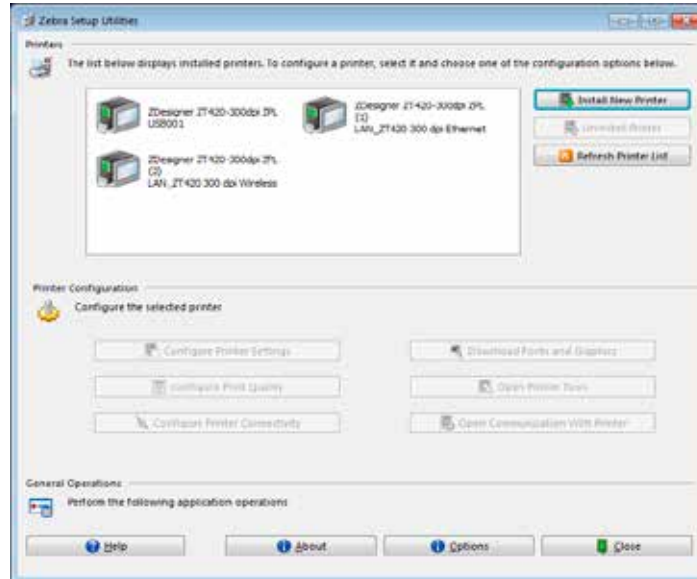


## Impression d'une étiquette de test et réglages

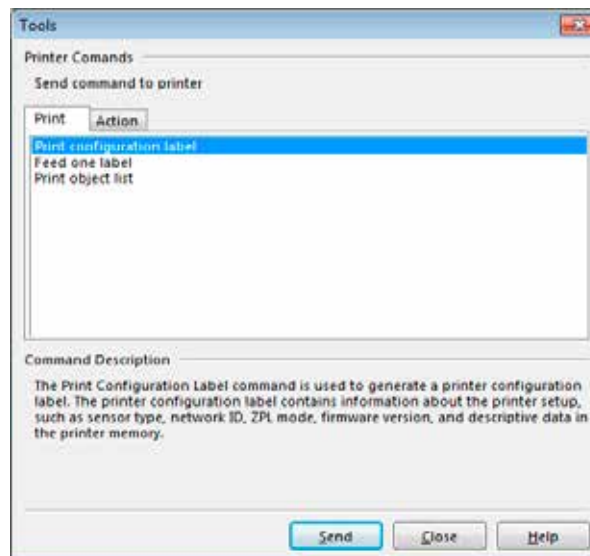
Après avoir chargé le papier, chargé le ruban (dans le cas de l'utilisation de papier à transfert thermique), installé le pilote d'impression et connecté l'imprimante à votre ordinateur, suivez la procédure décrite dans cette section pour imprimer une étiquette de test. Cette impression test vous permet de vérifier si la connexion est opérationnelle et de déterminer si vous devez ajuster certains réglages de l'imprimante.

**Pour imprimer une étiquette de test et régler l'imprimante (si nécessaire), procédez comme suit :**

1. Ouvrez Zebra Setup Utilities pour revenir à l'écran Zebra Setup Utilities.



2. Cliquez sur l'un des pilotes d'impression disponibles.
3. Cliquez sur Open Printer Tools (Ouvrir les outils de l'imprimante).  
La fenêtre Tools (Outils) répertorie les commandes disponibles pour l'imprimante.



- Pour imprimer une étiquette de configuration, cliquez sur Send (Envoyer).  
Si votre connexion est opérationnelle, et que le papier et le ruban (le cas échéant) sont correctement chargés dans l'imprimante, une étiquette de configuration s'imprime.

Figure 14 • Exemple d'étiquette de configuration de l'imprimante

```

CONFIG IMPR
Zebra Technologies
ZTC 21620R-203dpi ZPL
76J162700886

#30.0..... CONTRASTE
6.0 IPS..... VITESSE TETE
-007..... POS ARRET
DECHIREMENT..... PRESENTATION EN
CONTINU..... TYPE MEDIA
CELLULE TRANSM..... SELECT. CELLULE
THERM. DIRECT..... TYPE IMPRESSION
1344..... LARGEUR IMPR
2000..... LONGUEUR
P1085852/00005'2'.. ID TETE IMPR
15.0IN 300MM..... LONGUEUR MAXI
RAP NETT DESAC..... PREALARME
CONNECTE..... COMM USB
BIDIRECTIONNEL..... COMM. PARALLELE
RS232..... COMM SERIE
9600..... BAUDS
8 BITS..... BITS DONNEES
SANS..... PARITE
XON/XOFF..... PROTOCOLE SYSTEM
SANS..... PROTOCOLE
MODE NORMAL..... COMMUNICATIONS
<? 7EH..... PREF. IXL CONTROL
<? 5EH..... PREF. IXL FORMAT
<? 2CH..... CAR SEPARATEUR
ZPL II..... MODE ZPL
INACTIF..... ANNULER COMMANDE
RURANCE..... MISE SS TENSION
LONGUEUR..... FERMETURE TETE
DEFAUT..... RECU
+000..... MARGE HAUTE
+0000..... MARGE GAUCHE
INACTIF..... POKI POSE AUTO
ACTIVE..... EKR LORS PAUSE
MODE IMPULSION..... SIG DEPAR IMPRES
DEACTIVE..... MODE REIMPR.
080..... ESPACE S.
090..... PAPER S.
255..... PRISE ETIQ.
027..... CEL BARRE N
027..... REC BARRE N
000..... GAIN TRANS.
005..... DECAL. TRANS.
060..... VOY. TRANS.
002..... GAIN RP.NDIR
100..... LED BARRE N
DPCSHFAM..... MODES VALIDES
1344 8/MM PLEINE... MODES DEVALIDES
4.0..... RESOLUTION
V80.20.03 <-..... VERSION LINK-08
1.3..... VERSION LOGICIEL
SCHMA KTL..... SCHMA KTL
6.8.0 22.89..... ID. MATERIEL
32768k..... R: MEMOIRE VIVE
524288k..... E: MEM FLASH INTEG
SANS..... CONVERTIR
RM/J/JAW 24h..... ATTICH INACTIF
05/11/17..... DTR
06:33..... HTR
ACTIVE..... ZBI
2.1..... VERSION ZBI
PRETE..... STAT ZBI
TIMBRE MICRO..... LECTEUR RFID
20.00.00.01..... VERSION HW RFID
01.03.00.18..... VERSION FW RFID
USA/CANADA..... CODE REGION RFID
USA/CANADA..... CODE PAYS RFID
RFID OK..... ERREUR RFID
16..... PUISS.LECT.RFID
16..... PUISS.ECRIT.RFID
P0..... POSITION PROG.
0..... OPT. RFID VALID.
0..... OPT. RFID VIDES
SANS..... ANTENNE ADAPTATIVE
#4..... ANTENNE RFID
548 ETIQUETTES..... COMPT. NON 0
548 ETIQUETTES..... COMPT. 1 A 0
548 ETIQUETTES..... COMPT. 2 A 0
2.554 PD..... COMPT. NON 0
2.554 PD..... COMPT. 1 A 0
2.554 PD..... COMPT. 2 A 0
6.488 CM..... COMPT. NON 0
6.488 CM..... COMPT. 1 A 0
6.488 CM..... COMPT. 2 A 0
001 SANS FIL..... EMPACEMENT 1
*** VIDE..... EMPACEMENT 2
0..... NB PER. STOCKAGE
0..... NB PERIPH. HID
INACTIF..... DESACT. HOTE USB
LE LOGICIEL DE CETTE MACHINE EST DEPOSE

```

5. L'étiquette de configuration est-elle imprimée et la qualité d'impression est-elle acceptable ?

Si...	Alors...
<b>L'étiquette est imprimée correctement et la qualité d'impression est acceptable.</b>	L'imprimante est prête à imprimer. Continuez avec le programme de conception d'étiquettes de votre choix. Vous pouvez utiliser ZebraDesigner™, téléchargeable sur le site <a href="http://www.zebra.com">http://www.zebra.com</a> .
<b>L'étiquette n'est pas imprimée.</b>	<ul style="list-style-type: none"> <li data-bbox="794 506 1430 667"><b>a.</b> Fermez la fenêtre Tools (Outils) et vérifiez que vous avez sélectionné le pilote d'impression adéquat avant de cliquer sur Open Printer Tools (Ouvrir les outils de l'imprimante). Essayez d'imprimer à nouveau l'étiquette.</li> <li data-bbox="794 667 1430 772"><b>b.</b> Si l'étiquette ne s'imprime toujours pas, vérifiez la connexion entre votre imprimante et votre ordinateur ou le réseau.</li> <li data-bbox="794 772 1430 879"><b>c.</b> Si nécessaire, modifiez les paramètres de l'imprimante pour les aligner sur ceux de l'ordinateur.</li> </ul>
<b>L'étiquette est imprimée, mais la qualité est médiocre ou d'autres problèmes sont visibles.</b>	Voir <i>Diagnostic et dépannage</i> à la page 229.



**Remarques •** \_\_\_\_\_

\_\_\_\_\_

\_\_\_\_\_

\_\_\_\_\_

\_\_\_\_\_

\_\_\_\_\_

\_\_\_\_\_

\_\_\_\_\_

\_\_\_\_\_

\_\_\_\_\_

## Configuration et réglage de l'imprimante

Cette section explique comment configurer et régler l'imprimante.

### Sommaire

Réglage des paramètres de l'imprimante .....	102
Calibrage des cellules ruban et papier .....	193
Réglage de la pression de la tête d'impression et de la position des leviers .....	199
Réglage de la position de la cellule .....	205
Retrait d'un ruban usagé .....	206
Installation du réenrouleur/récupérateur de support .....	208

## Réglage des paramètres de l'imprimante

Cette section présente les paramètres de l'imprimante que vous pouvez modifier et indique les outils pour ce faire. Ces outils sont les suivants :

- **Menus utilisateur** de l'imprimante  
Reportez-vous aux informations ci-après figurant dans cette section.
- Commandes ZPL et SGD (Set/Get/Do)  
Voir le Guide de programmation Zebra® pour plus d'informations.
- **Pages Web** de l'imprimante lorsque celle-ci dispose d'une connexion active au serveur d'impression avec ou sans fil  
Voir le *Guide d'utilisation des serveurs d'impression avec et sans fil ZebraNet* pour plus d'informations.

Ces documents sont disponibles à l'adresse <http://www.zebra.com/manuals>.

**Menus utilisateur.** La figure suivante répertorie les différents menus utilisateur de l'imprimante et les options de menu disponibles pour chacun d'eux. Cliquez sur l'une des options pour accéder à sa description. Pour obtenir des informations sur la navigation, reportez-vous à la section *Navigation dans les écrans en affichage standard* à la page 19.



### PARAMÈTRES

- CONTRASTE
- VITESSE TETE
- TYPE MEDIA
- TYPE IMPRESSION
- POS ARRET
- LARGEUR IMPR
- PRESENTATION EN
- MARGE HAUTE
- MARGE GAUCHE
- MODE REIMPR.
- LONG ÉTIQU MAX
- LUMIÈRE CAPOT
- VOYANTS PASS PAP
- VOYANTS PASS RUB
- LANGAGE\*\*
- MENU OUTILS\*



### OUTILS

- INFOS IMPRESSION\*\*
- AFFICH INACTIF
- ACTION DÉMARRAGE
- ACTION FERM TÊTE
- CONFIG DEFAULT
- CAL PAPIER/RUBAN\*\*
- MODE DIAGNOSTIC
- ENERGY STAR
- INFO CONF SUR USB
- ZBI ACTIVÉ ?
- EXÉCUTER PROG ZBI
- ARRÊT PROG ZBI
- IMPR. FICHER USB
- COP FICH USB S/ E:
- COP FICH E: S/ USB
- POSTE D'IMPRESSION
- PROTECT. MOT DE PASS
- ERR APPLCTR: PAUSE
- FORMAT TEST IMP
- MENU RÉSEAU\*



### RÉSEAU

- SERV. IMPR. ACTIF
- RÉSEAU PRIMAIRE
- ADRESSE IP CÂBLÉE
- MASQ SS-RÉS CÂBLÉ
- PASSER. CÂBLÉE
- PROTOCOLE IP CÂBLÉ
- ADRESSE MAC CÂBLÉE
- ADRESSE IP WLAN
- MASQ SS-RÉS WLAN
- PASSERELLE WLAN
- PROTOCOLE IP WLAN
- ADRESSE MAC WLAN
- ID SERV PROL
- CANAL
- SIGNAL
- PORT IP
- AUTRE PORT IP
- INFOS IMPRESSION\*\*
- REINITIAL. CARTE
- AGENT VISIBILITÉ
- CONFIG DEFAULT
- MENU RFID\*



### RFID

- ÉTAT RFID
- CALIBRAGE RFID
- DONNÉES RFID
- TEST RFID
- POS. PROG. RFID
- ANTENNE RFID
- PUIS. LECT. RFID
- PUIS. ÉCRI. RFID
- NB RFID VALIDE
- NB RFID VIDE
- MENU LANGUE

\* Indique un raccourci vers le menu utilisateur suivant.

\*\* Apparaît dans plusieurs menus utilisateur pour vous faciliter la tâche.



## LANGAGE

- LANGAGE\*\*
- LANGAGE COMMANDE
- CAR. COMMANDE
- CARAC. CONTROLE
- CAR SEPARATEUR
- MODE ZPL
- PÉRIPH. VIRTUEL
- MENU CELLULES\*



## CELLULES

- TYPE DE CELLULE
- CAL PAPIER/RUBAN\*\*
- INFOS IMPRESSION\*\*
- DÉTECT. AJUST AUTO
- DÉTECTEUR ÉTIQU
- PRISE ETIQ.
- MENU PORTS\*



## PORTS

- VITESSE EN BAUDS
- BITS DONNEES
- PARITE
- PROTOCOLE SYSTEM
- WML
- MENU BLUETOOTH\*



## BLUETOOTH

- ADRESSE BLUETOOTH
- MODE
- DÉTECTION
- CONNECTEE
- VERSION SPÉC BT
- MODE SÉCU. MIN.
- MENU PARAMÈTRES\*

\* Indique un raccourci vers le menu utilisateur suivant.

\*\* Apparaît dans plusieurs menus utilisateur pour vous faciliter la tâche.

## PARAMETRES > CONTRASTE



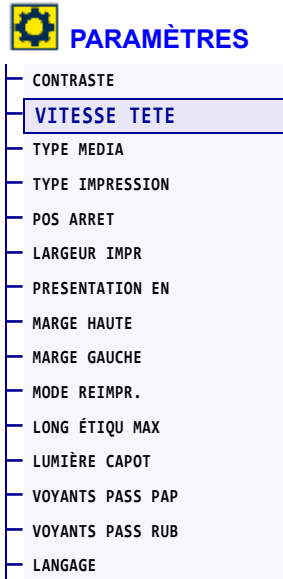
Configurez le contraste d'impression sur la valeur minimale permettant d'obtenir une bonne qualité d'impression. Un réglage à un niveau trop élevé risque de provoquer une impression floue de l'image de l'étiquette, une numérisation incorrecte des codes à barres, le passage de l'encre à travers le ruban ou l'usure prématurée de la tête d'impression.

Si vous le souhaitez, procédez au [Test d'optimisation du contraste et de la vitesse d'impression à la page 239](#) pour déterminer le réglage du contraste le plus adapté.

<i>Valeurs acceptées :</i>	0,0 à 30,0
<i>Commande(s) ZPL connexe(s) :</i>	^MD, ~SD
<i>Commande SGD utilisée :</i>	print.tone
<i>Page Web de l'imprimante :</i>	View and Modify Printer Settings > General Setup > Darkness (Afficher et modifier les paramètres de l'imprimante > Config générale > Contraste)



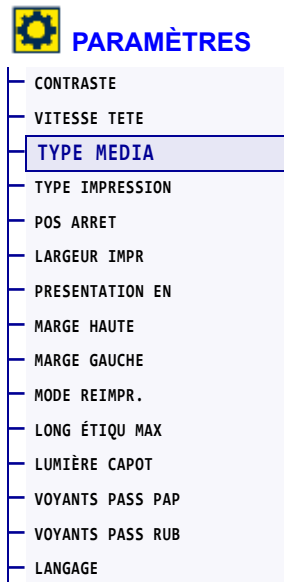
## PARAMETRES > VITESSE TETE



Sélectionnez la vitesse d'impression d'une étiquette en pouces par seconde (pps). Généralement, plus la vitesse est faible, meilleure est la qualité d'impression.

<i>Valeurs acceptées :</i>	ZT610 203 ppp = 2 à 14 pps ZT610 300 ppp = 2 à 12 pps ZT610 600 ppp = 1 à 6 pps ZT620 203 ppp = 2 à 12 pps ZT620 300 ppp = 2 à 8 pps
<i>Commande(s) ZPL connexe(s) :</i>	^PR
<i>Commande SGD utilisée :</i>	media.speed

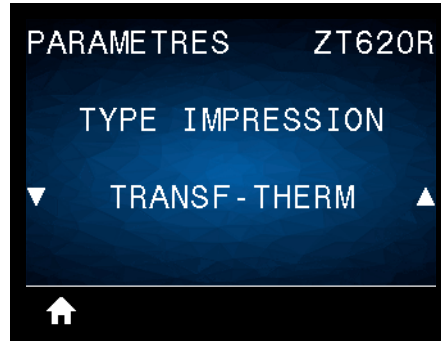
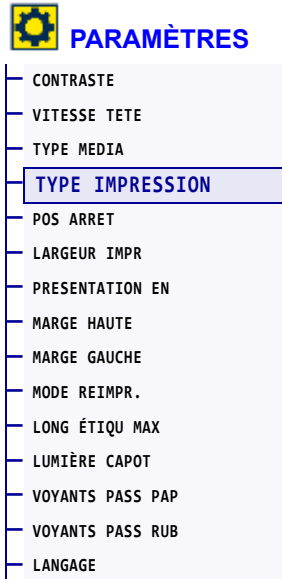
## PARAMETRES > TYPE MEDIA



Sélectionnez le type de papier utilisé.

<i>Valeurs acceptées :</i>	<ul style="list-style-type: none"> <li>• CONTINU</li> <li>• ESP ./ ENCOCHE</li> <li>• MARQUE NOIRE</li> </ul> <p>Si vous sélectionnez <b>CONTINU</b>, vous devez inclure une instruction de longueur d'étiquette dans votre format d'étiquette (^LL si vous utilisez ZPL). Si vous sélectionnez <b>ESP ./ ENCOCHE</b> ou <b>MARQUE NOIRE</b> pour divers papiers non continus, l'imprimante fait avancer le papier afin de calculer la longueur d'étiquette.</p> <p>Pour obtenir plus d'informations, reportez-vous à la section <i>Types de papier</i> à la page 22.</p>
<i>Commande(s) ZPL connexe(s) :</i>	^MN
<i>Commande SGD utilisée :</i>	ezpl.media_type
<i>Page Web de l'imprimante :</i>	View and Modify Printer Settings > Media Setup > Media Type (Afficher et modifier les paramètres de l'imprimante > Config papier > Type média)

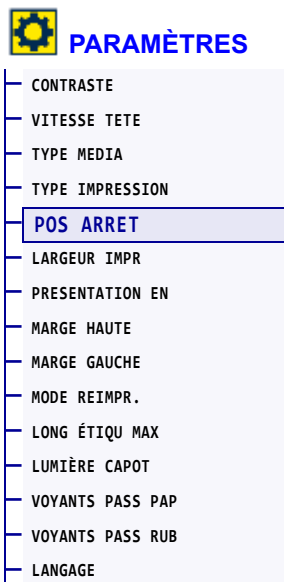
## PARAMETRES > TYPE IMPRESSION



Précisez si l'imprimante doit utiliser du ruban pour les impressions.

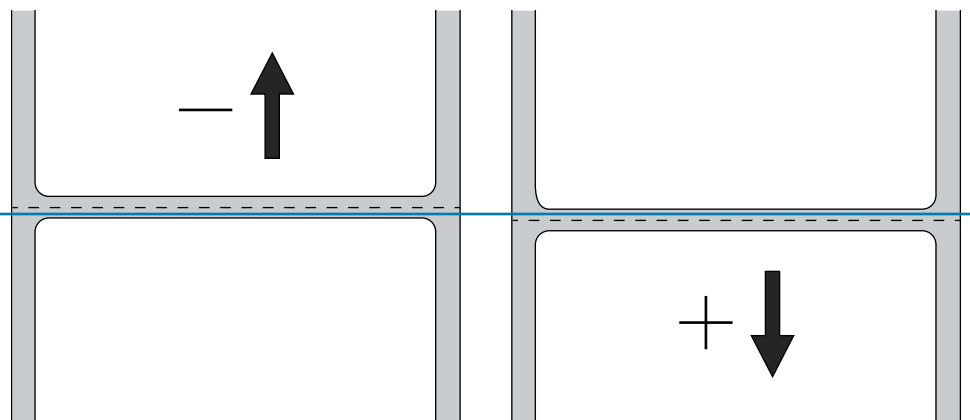
<i>Valeurs acceptées :</i>	<ul style="list-style-type: none"> <li>• <b>TRANSF - THERM</b> : utilise du ruban et du papier à transfert thermique.</li> <li>• <b>THERM. DIRECT</b> : utilise du papier thermique direct mais aucun ruban.</li> </ul>
<i>Commande(s) ZPL connexe(s) :</i>	^MT
<i>Commande SGD utilisée :</i>	ezpl.print_method
<i>Page Web de l'imprimante :</i>	View and Modify Printer Settings > Media Setup > Print Method (Afficher et modifier les paramètres de l'imprimante > Config papier > Type impression)

## PARAMETRES > POS ARRET



Si nécessaire, modifiez la position du papier sur la barre de déchirement après l'impression.

- Un nombre faible déplace le papier vers l'imprimante du nombre de points indiqué (la ligne de déchirement se rapproche du bord de l'étiquette imprimée).
- Un nombre élevé éloigne le papier de l'imprimante (la ligne de déchirement se rapproche du bord d'attaque de l'étiquette suivante).



Valeurs acceptées :	-120 à 120
Commande(s) ZPL connexe(s) :	~TA
Commande SGD utilisée :	ezpl.tear_off
Page Web de l'imprimante :	View and Modify Printer Settings > General Setup > Tear Off (Afficher et modifier les paramètres de l'imprimante > Config générale > Pos arrêt)

## PARAMETRES > LARGEUR IMPR




### PARAMÈTRES

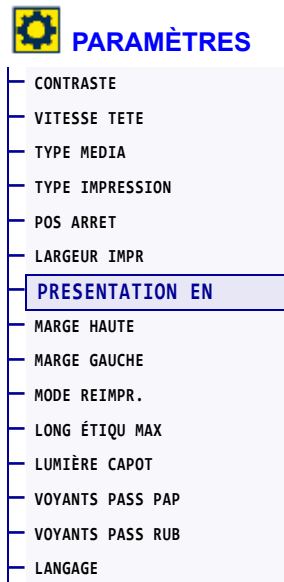
CONTRASTE
VITESSE TETE
TYPE MEDIA
TYPE IMPRESSION
POS ARRET
<b>LARGEUR IMPR</b>
PRESENTATION EN
MARGE HAUTE
MARGE GAUCHE
MODE REIMPR.
LONG ÉTIQU MAX
LUMIÈRE CAPOT
VOYANTS PASS PAP
VOYANTS PASS RUB
LANGAGE



Indiquez la largeur des étiquettes utilisées, en points. La valeur par défaut est la largeur maximale de l'imprimante, basée sur la valeur de points par pouce de la tête d'impression.

<p><i>Valeurs acceptées :</i></p>	<p> <b>Remarque</b> • Si vous choisissez une largeur trop petite, certaines parties d'un format d'étiquette risquent de ne pas être imprimées sur le papier. Si vous choisissez une largeur trop élevée, vous allez encombrer inutilement la mémoire de formatage, et l'impression risque d'être effectuée sur le contre-rouleau, et non sur l'étiquette. Ce paramètre peut affecter la position horizontale du format d'étiquette si l'image a été inversée au moyen de la commande <b>^POI ZPL II</b>.</p> <p>ZT610 203 ppp = <b>0002</b> à <b>832</b>  ZT610 300 ppp = <b>0002</b> à <b>1248</b>  ZT610 600 ppp = <b>0002</b> à <b>2496</b>  ZT620 203 ppp = <b>0002</b> à <b>1344</b>  ZT620 300 ppp = <b>0002</b> à <b>1984</b></p>
<p><i>Commande(s) ZPL connexe(s) :</i></p>	<p><b>^PW</b></p>
<p><i>Commande SGD utilisée :</i></p>	<p><b>ezpl.print_width</b></p>
<p><i>Page Web de l'imprimante :</i></p>	<p>View and Modify Printer Settings &gt; Media Setup &gt; Print Width (Afficher et modifier les paramètres de l'imprimante &gt; Config papier &gt; Largeur impr)</p>

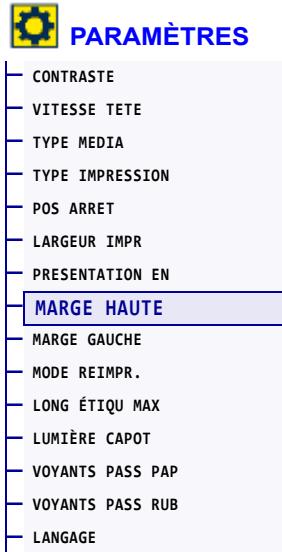
## PARAMETRES > PRESENTATION EN



Sélectionnez un mode d'impression compatible avec les options de votre imprimante. Pour plus d'informations sur le fonctionnement des choix de modes d'impression avec différentes options d'imprimante, reportez-vous à la section [Sélection du mode d'impression à la page 31](#).

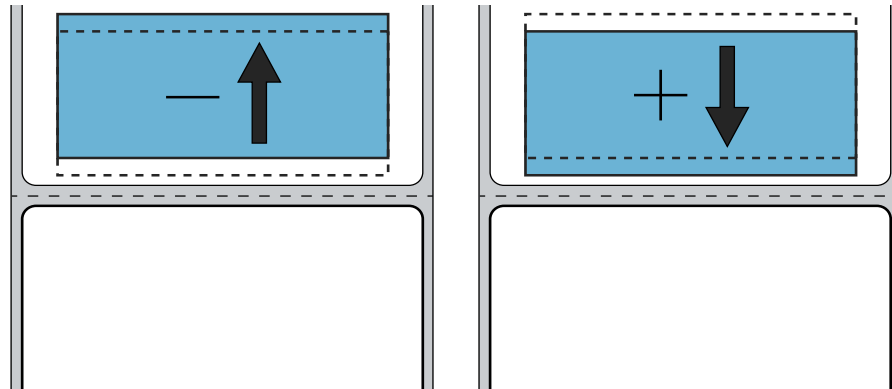
<i>Valeurs acceptées :</i>	<ul style="list-style-type: none"> <li>• POS ARRET</li> <li>• COUPE</li> <li>• REENROULEUR</li> <li>• COUPE</li> <li>• COUPE RETARDEE</li> <li>• PRÉDÉCOLLAGE SANS SUPPORT</li> <li>• REBOBINAGE SANS SUPPORT</li> <li>• DECHIREMENT SANS SUPPORT</li> <li>• APPLICATEUR</li> </ul>
<i>Commande(s) ZPL connexe(s) :</i>	^MM
<i>Commande SGD utilisée :</i>	media.printmode
<i>Page Web de l'imprimante :</i>	View and Modify Printer Settings > General Setup > Print Mode (Afficher et modifier les paramètres de l'imprimante > Config papier > Présentation en)

## PARAMETRES > MARGE HAUTE



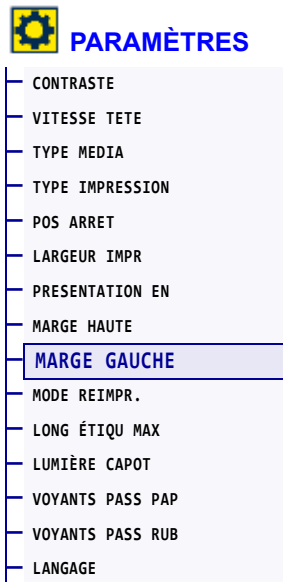
Si nécessaire, décalez verticalement la position de l'image sur l'étiquette.

- Les valeurs négatives remontent l'image sur l'étiquette (en se rapprochant de la tête d'impression).
- Les valeurs positives descendent l'image sur l'étiquette (en s'éloignant de la tête d'impression) du nombre de points indiqué.



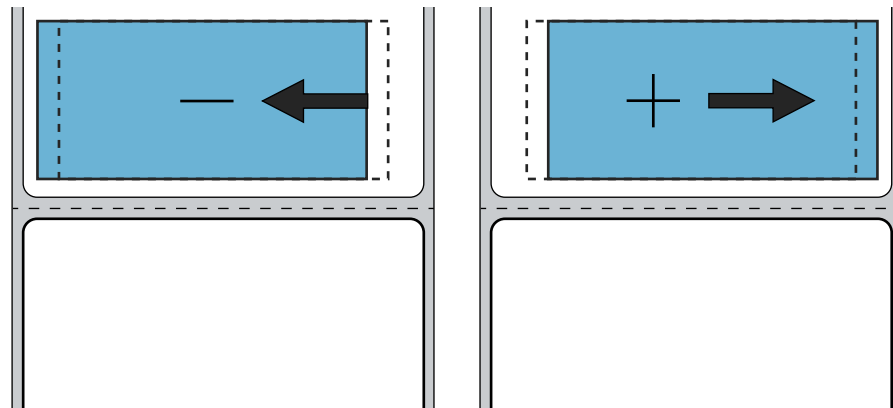
<i>Valeurs acceptées :</i>	-120 à +120
<i>Commande(s) ZPL connexe(s) :</i>	^LT
<i>Commande SGD utilisée :</i>	media.printmode
<i>Page Web de l'imprimante :</i>	View and Modify Printer Settings > General Setup > Print Mode (Afficher et modifier les paramètres de l'imprimante > Config papier > Présentation en)

## PARAMETRES > MARGE GAUCHE



Si nécessaire, décalez horizontalement la position de l'image sur l'étiquette.

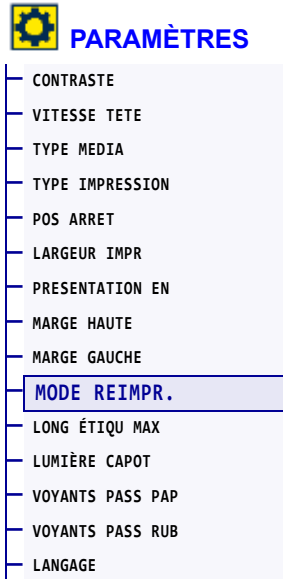
- Les valeurs négatives déplacent le bord gauche de l'image vers le bord gauche de l'étiquette du nombre de points sélectionné.
- Les valeurs positives déplacent le bord de l'image vers le bord droit de l'étiquette.



<i>Valeurs acceptées :</i>	-9999 à 9999
<i>Commande(s) ZPL connexe(s) :</i>	^LS
<i>Commande SGD utilisée :</i>	zpl.left_position
<i>Page Web de l'imprimante :</i>	View and Modify Printer Settings > Advanced Setup > Left Position (Afficher et modifier les paramètres de l'imprimante > Config avancée > Marge gauche)



## PARAMETRES > MODE REIMPR.



Lorsque le mode de réimpression est activé, vous pouvez réimprimer la dernière étiquette imprimée en maintenant enfoncées les touches PAUSE + CANCEL (ANNULER) ou en appuyant sur la flèche GAUCHE lorsque l'affichage de l'imprimante est inactif (en veille).

<i>Valeurs acceptées :</i>	<ul style="list-style-type: none"> <li>• ACTIF</li> <li>• INACTIF</li> </ul>
<i>Commande(s) ZPL connexe(s) :</i>	^JZ
<i>Commande SGD utilisée :</i>	ezpl.reprint_mode

## PARAMETRES > LONG ÉTIQU MAX



### PARAMÈTRES

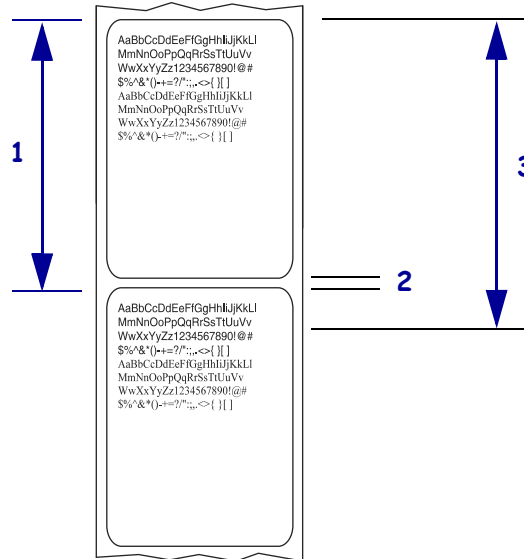
- CONTRASTE
- VITESSE TETE
- TYPE MEDIA
- TYPE IMPRESSION
- POS ARRET
- LARGEUR IMPR
- PRESENTATION EN
- MARGE HAUTE
- MARGE GAUCHE
- MODE REIMPR.
- **LONG ÉTIQU MAX**
- LUMIÈRE CAPOT
- VOYANTS PASS PAP
- VOYANTS PASS RUB
- LANGAGE



Indiquez une longueur d'étiquette maximale qui est au moins 25,4 mm supérieure à la longueur réelle de l'étiquette, plus l'écart entre étiquettes. Si la valeur définie est trop petite, l'imprimante considère que du papier continu est chargé et ne peut donc procéder au calibrage.

Valeurs acceptées :

De 0 à la longueur d'étiquette maximale prise en charge par l'imprimante  
Par exemple, si l'étiquette a une longueur de 152 mm, espace inter-étiquette inclus, réglez le paramètre sur 178 mm minimum.



<b>1</b>	Longueur d'étiquette (espace inter-étiquette compris)
<b>2</b>	Espace inter-étiquette
<b>3</b>	Longueur minimale de l'étiquette

Commande(s) ZPL connexe(s) :	^ML
Commande SGD utilisée :	ezpl.label_length_max
Page Web de l'imprimante :	View and Modify Printer Settings > Media Setup > Maximum Length (Afficher et modifier les paramètres de l'imprimante > Config papier > Long étiqu max)

## PARAMETRES > LUMIÈRE CAPOT

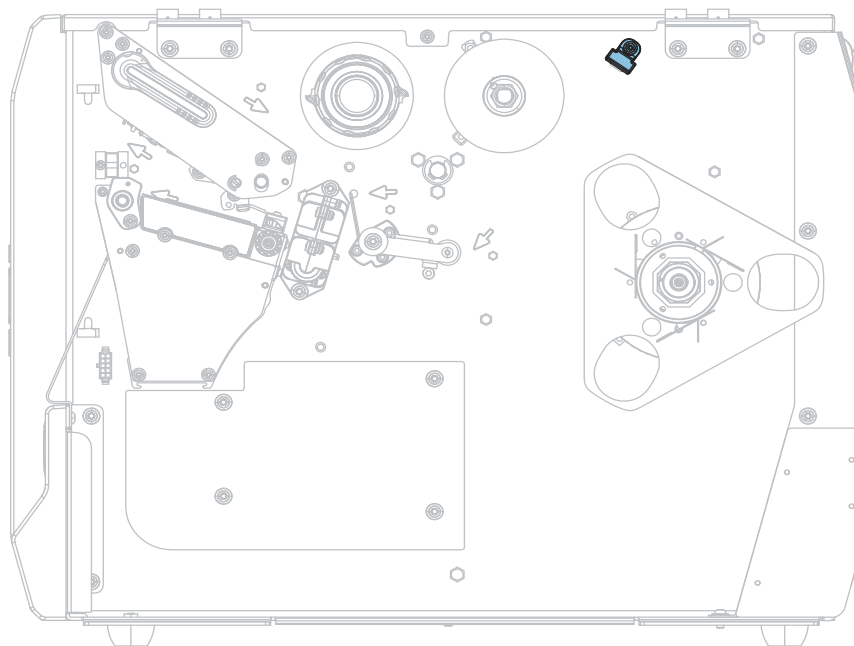


### PARAMÈTRES

- CONTRASTE
- VITESSE TETE
- TYPE MEDIA
- TYPE IMPRESSION
- POS ARRET
- LARGEUR IMPR
- PRESENTATION EN
- MARGE HAUTE
- MARGE GAUCHE
- MODE REIMPR.
- LONG ÉTIQU MAX
- **LUMIÈRE CAPOT**
- VOYANTS PASS PAP
- VOYANTS PASS RUB
- LANGAGE



Définissez l'intensité du voyant qui s'allume lorsque le panneau d'accès aux supports est ouvert.



*Valeurs acceptées :*

- FORTE
- MOYENNE
- FAIBLE
- INACTIF

*Commande SGD utilisée :*

`device.light.cover_open_brightness`

## PARAMETRES > VOYANTS PASS PAP

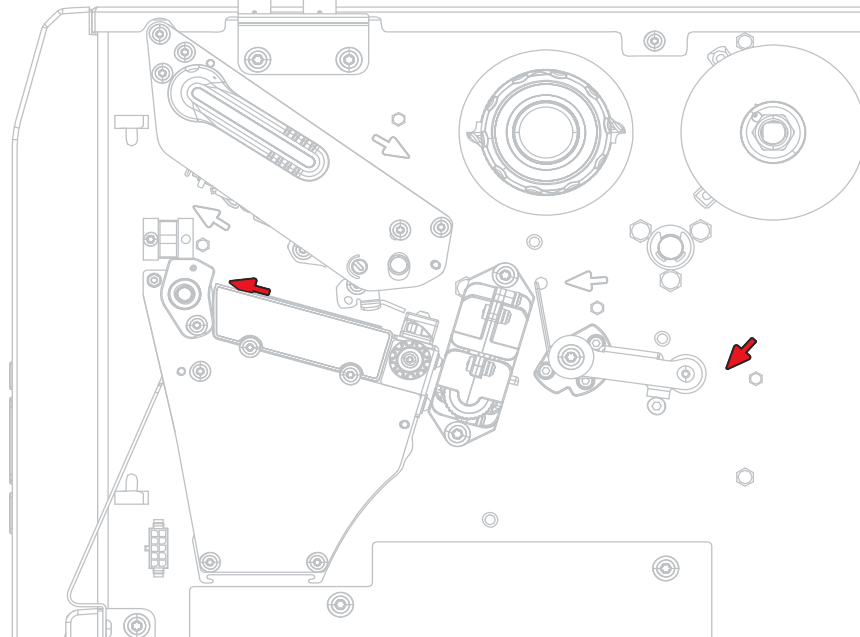


### PARAMÈTRES

- CONTRASTE
- VITESSE TETE
- TYPE MEDIA
- TYPE IMPRESSION
- POS ARRET
- LARGEUR IMPR
- PRESENTATION EN
- MARGE HAUTE
- MARGE GAUCHE
- MODE REIMPR.
- LONG ÉTIQU MAX
- LUMIÈRE CAPOT
- **VOYANTS PASS PAP**
- VOYANTS PASS RUB
- LANGAGE



Définissez la luminosité des voyants qui allument le passage du papier lorsque le papier est épuisé.



*Valeurs acceptées :*

- FORTE
- MOYENNE
- FAIBLE
- INACTIF

*Commande SGD utilisée :*

`device.light.media_path_brightness`

## PARAMETRES > VOYANTS PASS RUB

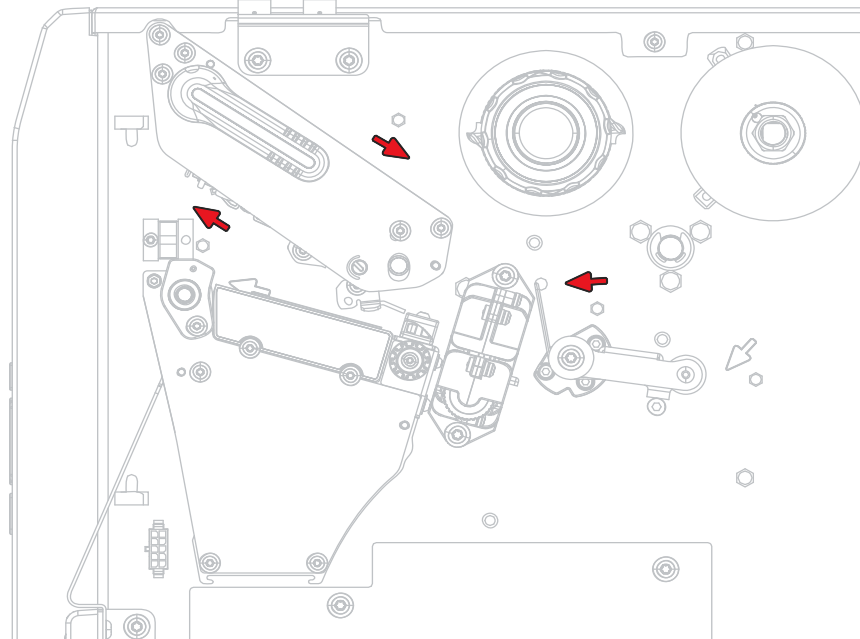


### PARAMÈTRES

- CONTRASTE
- VITESSE TETE
- TYPE MEDIA
- TYPE IMPRESSION
- POS ARRET
- LARGEUR IMPR
- PRESENTATION EN
- MARGE HAUTE
- MARGE GAUCHE
- MODE REIMPR.
- LONG ÉTIQU MAX
- LUMIÈRE CAPOT
- VOYANTS PASS PAP
- **VOYANTS PASS RUB**
- LANGAGE



Définissez la luminosité des voyants qui allument le passage du ruban lorsque le ruban est épuisé.



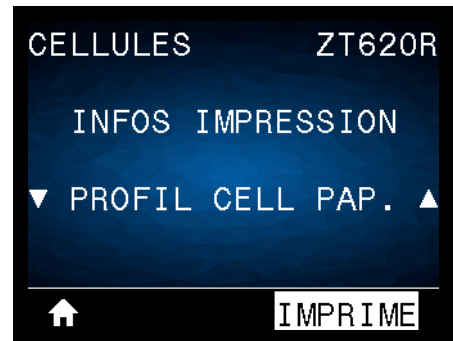
<i>Valeurs acceptées :</i>	<ul style="list-style-type: none"><li>• FORTE</li><li>• MOYENNE</li><li>• FAIBLE</li><li>• INACTIF</li></ul>
<i>Commande SGD utilisée :</i>	<code>device.light.ribbon_path_brightness</code>

## OUTILS > INFOS IMPRESSION



### OUTILS

- INFOS IMPRESSION
- AFFICH INACTIF
- ACTION DÉMARRAGE
- ACTION FERM TÊTE
- CONFIG DEFAULT
- CAL PAPIER/RUBAN
- MODE DIAGNOSTIC
- ENERGY STAR
- INFO CONF SUR USB
- ZBI ACTIVÉ ?
- EXÉCUTER PROG ZBI
- ARRÊT PROG ZBI
- IMPR. FICHER USB
- COP FICH USB S/ E:
- COP FICH E: S/ USB
- POSTE D'IMPRESSION
- PROTECT. MOT DE PASS
- ERR APPLCTR: PAUSE
- FORMAT TEST IMP



Imprimez les informations souhaitées sur une ou plusieurs étiquettes. Cette option est disponible via trois menus utilisateur ayant chacun différentes valeurs par défaut.

<p><i>Valeurs acceptées :</i></p>	<ul style="list-style-type: none"> <li>• <b>PARAMETRES</b> : imprime l'étiquette de configuration de l'imprimante. (Reportez-vous à <i>INFO CONF SUR USB</i> à la page 130 pour savoir comment afficher ces informations par d'autres biais.) Vous trouverez un exemple d'étiquette à la <i>Figure 15</i> à la page 121.</li> <li>• <b>RÉSEAU</b> : imprime les paramètres de tout serveur d'impression ou périphérique Bluetooth installé. Vous trouverez un exemple d'étiquette à la <i>Figure 16</i> à la page 121.</li> <li>• <b>FORMATS</b> : imprime les formats disponibles stockés sur l'imprimante, dans la mémoire RAM ou flash, ou sur une carte mémoire optionnelle.</li> <li>• <b>IMAGES</b> : imprime une étiquette répertoriant les images disponibles qui sont stockées sur l'imprimante, dans la mémoire RAM ou flash, ou sur une carte mémoire optionnelle.</li> <li>• <b>POLICES</b> : imprime les polices disponibles dans l'imprimante, y compris les polices standard, ainsi que toutes les polices optionnelles de l'imprimante. Les polices peuvent être stockées dans la mémoire RAM ou flash.</li> <li>• <b>CODES BARRE</b> : imprime les codes à barres disponibles dans l'imprimante. Les codes à barres peuvent être stockés dans la mémoire RAM ou flash.</li> <li>• <b>TOUT</b> : imprime les six étiquettes ci-dessus.</li> <li>• <b>PROFIL CELL PAP.</b> : indique les paramètres de la cellule par rapport aux valeurs lues réelles. Pour interpréter les résultats, reportez-vous à la section <i>Profil de cellule</i> à la page 242.</li> </ul>
<p><i>Commande(s) ZPL connexe(s) :</i></p>	<p>PARAMETRES : ~WC  RÉSEAU : ~ WL  PROFIL CELL PAP. : ~ JG  Autres : ^WD</p>
<p><i>Clé(s) du panneau de commande :</i></p>	<p>PARAMETRES et RÉSEAU : effectuez l'une des actions suivantes :</p> <ul style="list-style-type: none"> <li>• Maintenez la touche CANCEL (Annuler) enfoncée lors de la mise sous tension de l'imprimante. (appelé auparavant test automatique CANCEL (Annuler)).</li> <li>• Maintenez les touches FEED (Avance) + CANCEL (Annuler) enfoncées pendant 2 secondes lorsque l'imprimante est prête.</li> </ul> <p>PROFIL CELL PAP. : maintenez les touches FEED (Avance) + CANCEL (Annuler) enfoncées lors de la mise sous tension de l'imprimante.</p>
<p><i>Page Web de l'imprimante :</i></p>	<p>View and Modify Printer Settings &gt; Print Listings on Label (Afficher et modifier les paramètres de l'imprimante &gt; Imprimer listes sur étiquette)</p>



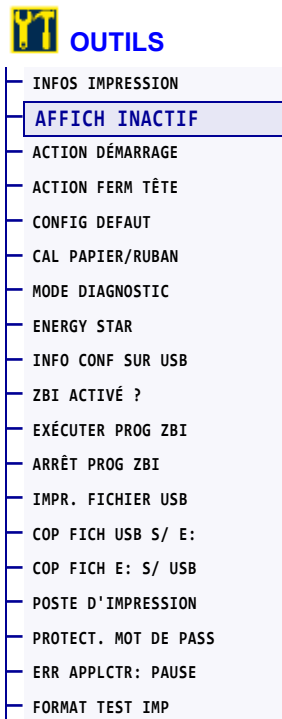
Figure 15 • Exemple d'étiquette de configuration de l'imprimante

CONFIG IMPR	
Zebra Technologies ZTC ZT620R-203dpi ZPL 76J162700886	
#30.0.....	CONTRASTE
6.0 IPS.....	VITESSE TETE
-007.....	POS ARRET
DECHIREMENT.....	PRESENTATION EN
CONTINU.....	TYPE MEDIA
CELLULE TRANSP.....	SELECT. CELLULE
THERM. DIRECT.....	TYPE IMPRESSION
1344.....	LARGEUR IMPR
2000.....	LONGUEUR
F1088892/00005 2.....	ID TETE IMPR
15.0IN 300MM.....	LONGUEUR MAXI
RAP NETT DESAC.....	PREALARME
CONNECTEE.....	COMM USB
BIDIRECTIONNEL.....	COMM. PARALLELE
RS232.....	COMM SERIE
9600.....	BAUDS
8 BITS.....	BITS DONNEES
SANS.....	PARITE
NOM/ADFF.....	PROTOCOLE SYSTEM
SANS.....	PROTOCOLE
MODE NORMAL.....	COMMUNICATIONS
< > 7EH.....	PREFIxE CONTROLE
< > 5EH.....	PREFIxE FORMAT
< > 2CH.....	CHAR SEPARATEUR
ZPL II.....	MODE ZPL
INACTIF.....	ANNULER COMMANDE
AVANCE.....	MISE SS TENSION
LONGUEUR.....	FERRITURE TETE
DEFAULT.....	RECUL
1000.....	MARGE HAUTE
40000.....	MARGE GAUCHE
INACTIF.....	PORT POSE AUTO
ACTIVE.....	SMS LONG PULSE
MODE IMPULSION.....	SIG DEHAR IMPRES
DEACTIVE.....	MODE REIMPR.
080.....	ESPACE S.
090.....	PAPIER S.
255.....	PRISE ETID.
027.....	CEL BARRE N
027.....	REC BARRE N
000.....	GAIN TRANS.
005.....	DECL. TRANS.
080.....	VOY. TRANS.
002.....	GAIN RP. NOIR
100.....	LED BARRE N
DPICSMFM.....	MODES VALIDES
1344 8/MM PLEINE.....	MODES DEVALIDES
4.0.....	RESOLUTION
V80.20.09 <.....	VERSION LINK-OS
1.3.....	VERSION LOGICIEL
6.6.0 22.89.....	SCHEMA XPL
32768k.....	ID. MATERIEL
524288k.....	MEMOIRE VIVE
SANS.....	MEM FLASH INTEG
RF/JVAA 24H.....	CONVERTIR
05/11/17.....	AFFICH INACTIF
06:33.....	DTR
ACTIVE.....	HTR
2.1.....	VERSION ZBI
PRETE.....	STAT ZBI
TM1MBE MICRO.....	LECTEUR RFID
20.00.00.01.....	VERSION HW RFID
01.03.00.18.....	VERSION FW RFID
USA/CANADA.....	CODE REGION RFID
USA/CANADA.....	CODE PAYS RFID
RFID OK.....	ERREUR RFID
16.....	PUISS.LECT. RFID
16.....	PUISS.ECRIT. RFID
F0.....	POSITION PROCP.
0.....	CPT. RFID VAL ID.
0.....	CPT. RFID VIDES
SANS.....	ANTENNE ADAPTATIVE
A4.....	ANTENNE RFID
548 ETIQUETTES.....	COMPT. NON 0
548 ETIQUETTES.....	COMPTEUR 1 A 0
548 ETIQUETTES.....	COMPTEUR 2 A 0
2.554 PD.....	COMPT. NON 0
2.554 PD.....	COMPTEUR 1 A 0
2.554 PD.....	COMPTEUR 2 A 0
6.488 CH.....	COMPT. NON 0
6.488 CH.....	COMPTEUR 1 A 0
6.488 CH.....	COMPTEUR 2 A 0
00: SANS FIL.....	EMPLACEMENT 1
*** WIDE.....	EMPLACEMENT 2
0.....	NB PER. STOCKAGE
0.....	NB PERIPH. MID
INACTIF.....	DESACT. HÔTE USB
LE LOGICIEL DE CETTE MACHINE EST DEPOSE.	

Figure 16 • Exemple d'étiquette de configuration du réseau

CONFIGURATION RESEAU	
Zebra Technologies ZTC ZT620R-203dpi ZPL 76J162700886	
Cobio.....	RESEAU PRIMAIRE
PrintServer.....	CHARGER LAN DEB?
INTERNAL WIRED.....	SERVIMPR. ACTIF
Cobio *	
ALL.....	PROTOCOLE IP
192.168.000.017.....	ADRESSE IP
255.255.255.000.....	SOUS-RESEAU
192.168.000.254.....	PROSDRLLC
000.000.000.000.....	WINS SERVER IP
001.....	TIMEOUT CHECKING
300.....	TIMEOUT VALUE
000.....	ARP INTERVAL
8100.....	BASE RAW PORT
9200.....	PORT CONFIG JSON
Sans fil	
ALL.....	PROTOCOLE IP
000.000.000.000.....	ADRESSE IP
255.255.255.000.....	SOUS-RESEAU
000.000.000.000.....	PROSDRLLC
000.000.000.000.....	WINS SERVER IP
001.....	TIMEOUT CHECKING
300.....	TIMEOUT VALUE
000.....	ARP INTERVAL
8100.....	BASE RAW PORT
9200.....	PORT CONFIG JSON
INSERTED.....	CARTE INSEREE
02dFH.....	ID FAB. CARTE
9134H.....	ID PROD. CARTE
nc:13f:a4:b2:05:18c.....	AD DST SUP
001.....	PILOTE INSTALLE
INFRASTRUCTURE.....	MODE EXPLOIT.
125.....	ID SERV. PAR.
1.0.....	DEBIT TRANS. ACT.
OPEN.....	TYPE AUTHENT.
WPA PSK.....	SECURITE WLAN
1.....	INDEX CODAGE
000.....	SIGNAL FAIBLE
LONG.....	PREAMBLE
NO.....	ASSOCIE
ON.....	IMPULS. ACTIVEE
15.....	TRUX D'IMPULSION
OFF.....	MODE INTL
USA/CANADA.....	CODE REGION
USA/CANADA.....	CODE PAYS
0x7FF.....	MARQUE DE CANAL
Bluetooth	
4.3.1pi.....	VERSION LOGICIEL
02/13/2015.....	DTR
on.....	DETECTABLE
3.0/4.0.....	VERSION RADIO
on.....	ACTIVE
AC:13F:A4:B2:05:180.....	AD DST SUP
76J162700886.....	NOM CONVIVAL
no.....	CONNECTEE
1.....	MODE SECU. MIN.
no.....	MODE SECU. CONN
compatible.....	IOS
LE LOGICIEL DE CETTE MACHINE EST DEPOSE.	

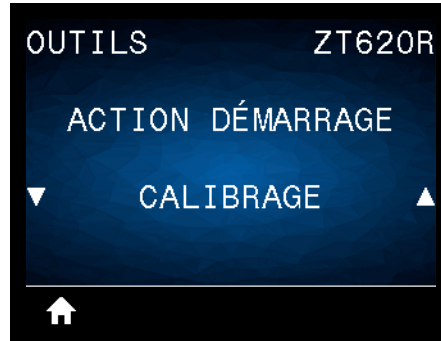
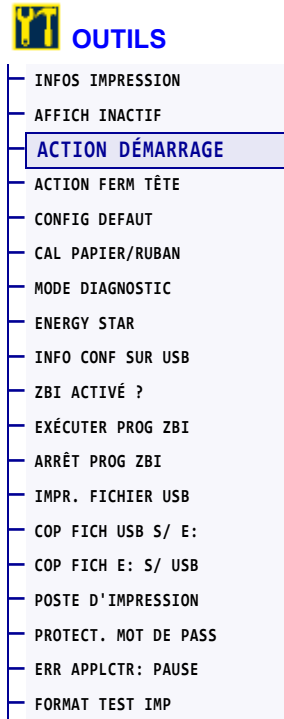
## OUTILS > AFFICH INACTIF



Sélectionnez les informations affichées sur l'écran de l'imprimante lorsque l'imprimante est inactive.

<i>Valeurs acceptées :</i>	<ul style="list-style-type: none"> <li>• MICROPROGRAMME</li> <li>• ADRESSE IP</li> <li>• MM/JJ/AA 24H</li> <li>• MM/JJ/AA 12H</li> <li>• JJ/MM/AA 24H</li> <li>• JJ/MM/AA 12H</li> </ul>
<i>Commande SGD utilisée :</i>	<pre>device.idle_display_format device.idle_display_value</pre>

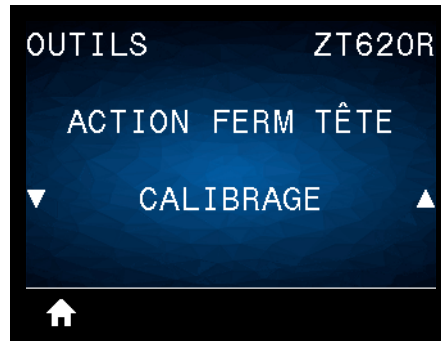
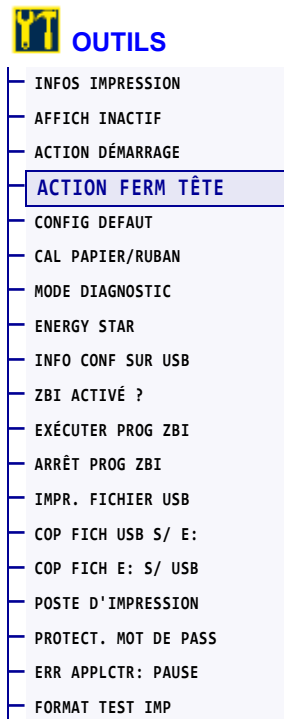
## OUTILS > ACTION DÉMARRAGE



Définissez l'action que l'imprimante doit effectuer lors de sa mise sous tension.

<i>Valeurs acceptées :</i>	<ul style="list-style-type: none"> <li>• <b>CALIBRAGE</b> : règle les niveaux et les seuils des cellules, détermine la longueur d'étiquette et fait avancer le papier jusqu'à la bande suivante.</li> <li>• <b>AVANCE</b> : fait avancer l'étiquette jusqu'au premier point de repérage.</li> <li>• <b>LONGUEUR</b> : détermine la longueur d'étiquette en fonction des valeurs de cellule actuelles et fait avancer le papier jusqu'à la bande suivante.</li> <li>• <b>AUCUN MOUV.</b> : indique que le papier ne doit pas être déplacé. Vous devez positionner la bande correctement à la main ou appuyer sur le bouton d'avance pour passer à la bande suivante.</li> <li>• <b>CALIB. COURT</b> : définit les seuils du papier et des bandes sans régler le gain des cellules, détermine la longueur d'étiquette et fait avancer le papier jusqu'à la bande suivante.</li> </ul>
<i>Commande(s) ZPL connexe(s) :</i>	^MF
<i>Commande SGD utilisée :</i>	ezpl.power_up_action
<i>Page Web de l'imprimante :</i>	View and Modify Printer Settings > Calibration (Afficher et modifier les paramètres de l'imprimante > Calibrage)

## OUTILS > ACTION FERM TÊTE



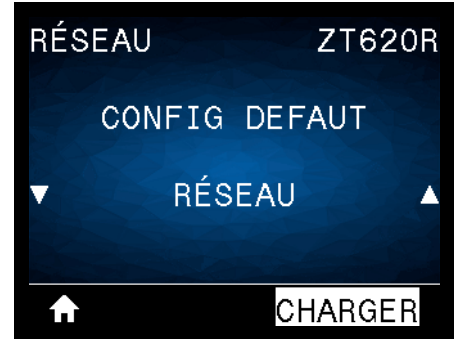
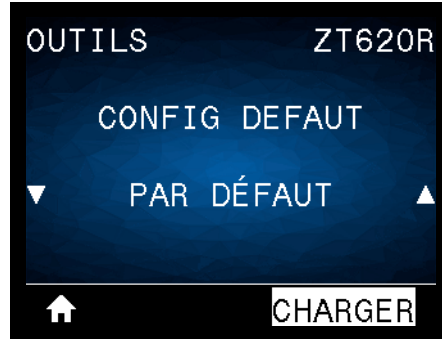
Définissez l'action que l'imprimante doit effectuer lorsque vous fermez la tête d'impression.

<i>Valeurs acceptées :</i>	<ul style="list-style-type: none"> <li>• <b>CALIBRAGE</b> : règle les niveaux et les seuils des cellules, détermine la longueur d'étiquette et fait avancer le papier jusqu'à la bande suivante.</li> <li>• <b>AVANCE</b> : fait avancer l'étiquette jusqu'au premier point de repérage.</li> <li>• <b>LONGUEUR</b> : détermine la longueur d'étiquette en fonction des valeurs de cellule actuelles et fait avancer le papier jusqu'à la bande suivante.</li> <li>• <b>AUCUN MOUV.</b> : indique que le papier ne doit pas être déplacé. Vous devez positionner la bande correctement à la main ou appuyer sur le bouton d'avance pour passer à la bande suivante.</li> <li>• <b>CALIB. COURT</b> : définit les seuils du papier et des bandes sans régler le gain des cellules, détermine la longueur d'étiquette et fait avancer le papier jusqu'à la bande suivante.</li> </ul>
<i>Commande(s) ZPL connexe(s) :</i>	^MF
<i>Commande SGD utilisée :</i>	ezpl.head_close_action
<i>Page Web de l'imprimante :</i>	View and Modify Printer Settings > Calibration (Afficher et modifier les paramètres de l'imprimante > Calibrage)

## OUTILS > CONFIG DEFAULT

### OUTILS

- INFOS IMPRESSION
- AFFICH INACTIF
- ACTION DÉMARRAGE
- ACTION FERM TÊTE
- **CONFIG DEFAULT**
- CAL PAPIER/RUBAN
- MODE DIAGNOSTIC
- ENERGY STAR
- INFO CONF SUR USB
- ZBI ACTIVÉ ?
- EXÉCUTER PROG ZBI
- ARRÊT PROG ZBI
- IMPR. FICHER USB
- COP FICH USB S/ E:
- COP FICH E: S/ USB
- POSTE D'IMPRESSION
- PROTECT. MOT DE PASS
- ERR APPLCTR: PAUSE
- FORMAT TEST IMP



Restaurez les valeurs par défaut définies en usine pour certains paramètres de serveur d'impression et de réseau. Procédez avec précaution lors du chargement des valeurs par défaut, car vous devrez recharger tous les paramètres modifiés manuellement. Cette option est disponible via deux menus utilisateur ayant chacun différentes valeurs par défaut.

<i>Valeurs acceptées :</i>	<ul style="list-style-type: none"> <li>• <b>PAR DÉFAUT</b> : restaure toutes les valeurs par défaut des paramètres de l'imprimante, sauf les paramètres réseau. Procédez avec précaution lors du chargement des valeurs par défaut, car vous devrez recharger tous les paramètres modifiés manuellement.</li> <li>• <b>RÉSEAU</b> : réinitialise le serveur d'impression câblé ou sans fil de l'imprimante. Dans le cas d'un serveur d'impression sans fil, l'imprimante sera également de nouveau associée au réseau sans fil.</li> <li>• <b>DERNIERE CONFIG</b> : charge les valeurs provenant du dernier enregistrement permanent.</li> </ul>
<i>Commande(s) ZPL connexe(s) :</i>	<p>PAR DÉFAUT : ^JUF  RÉSEAU : ^JUN  DERNIERE CONFIG : ^JUR</p>

<i>Clé(s) du panneau de commande :</i>	<p>PAR DÉFAUT : Maintenez les touches FEED (Avance) + PAUSE enfoncées lors de la mise sous tension de l'imprimante pour réinitialiser les paramètres de l'imprimante aux valeurs définies en usine. (appelé auparavant test automatique FEED (Avance) et PAUSE).</p> <p>RÉSEAU : Maintenez les touches CANCEL (Annuler) + PAUSE enfoncées lors de la mise sous tension de l'imprimante pour réinitialiser les paramètres réseau aux valeurs définies en usine. (appelé auparavant test automatique CANCEL (Annuler) et PAUSE).</p> <p>DERNIERE CONFIG : S/O</p>
<i>Page Web de l'imprimante :</i>	<p>PAR DÉFAUT : View and Modify Printer Settings &gt; Restore Default Configuration (Afficher et modifier les paramètres de l'imprimante &gt; Rétablir configuration usine)</p> <p>RÉSEAU : Print Server Settings &gt; Reset Print Server (Paramètres du serveur d'impression &gt; Réinitialiser le serveur d'impression)</p> <p>DERNIERE CONFIG : View and Modify Printer Settings &gt; Restore Saved Configuration (Afficher et modifier les paramètres de l'imprimante &gt; Rétablir la configuration sauvegardée)</p>

## OUTILS > CAL PAPIER/RUBAN


### OUTILS

- INFOS IMPRESSION
- AFFICH INACTIF
- ACTION DÉMARRAGE
- ACTION FERM TÊTE
- CONFIG DEFAULT
- **CAL PAPIER/RUBAN**
- MODE DIAGNOSTIC
- ENERGY STAR
- INFO CONF SUR USB
- ZBI ACTIVÉ ?
- EXÉCUTER PROG ZBI
- ARRÊT PROG ZBI
- IMPR. FICHER USB
- COP FICH USB S/ E:
- COP FICH E: S/ USB
- POSTE D'IMPRESSION
- PROTECT. MOT DE PASS
- ERR APPLCTR: PAUSE
- FORMAT TEST IMP

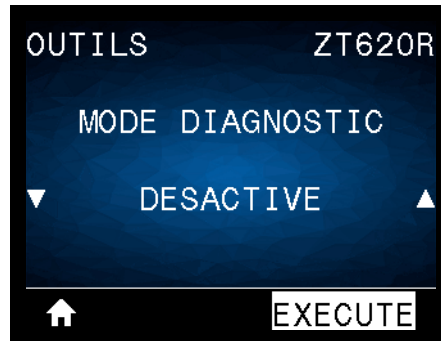
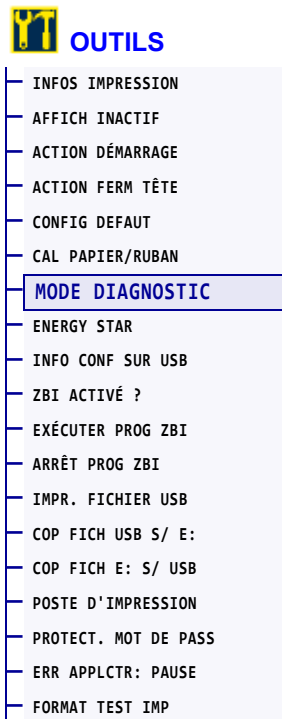


Calibrez l'imprimante pour régler la sensibilité des cellules papier et ruban.

Pour plus d'informations sur la procédure de calibrage, reportez-vous à la section [Calibrage des cellules ruban et papier](#) à la page 193.

<i>Commande(s) ZPL connexe(s) :</i>	~JC
<i>Commande SGD utilisée :</i>	ezpl.manual_calibration
<i>Clé(s) du panneau de commande :</i>	Maintenez les touches PAUSE + FEED (Avance) + CANCEL (Annuler) enfoncées pendant 2 secondes pour réaliser le calibrage.
<i>Page Web de l'imprimante :</i>	<p>La procédure ne peut être effectuée via les pages web. Reportez-vous à la page Web suivante pour connaître les paramètres définis lors du calibrage des cellules :</p> <p style="padding-left: 40px;">View and Modify Printer Settings &gt; Calibration (Afficher et modifier les paramètres de l'imprimante &gt; Calibrage)</p> <p> <b>Important</b> • Ne modifiez pas ces paramètres, sauf si l'assistance technique Zebra ou un technicien de maintenance agréé vous en donne l'instruction.</p>

## OUTILS > MODE DIAGNOSTIC

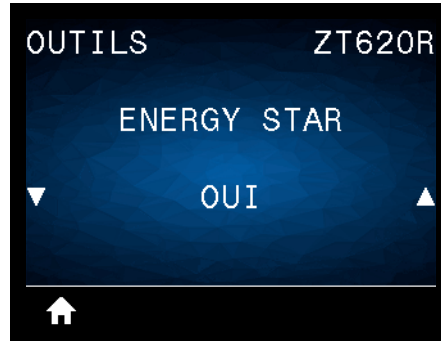
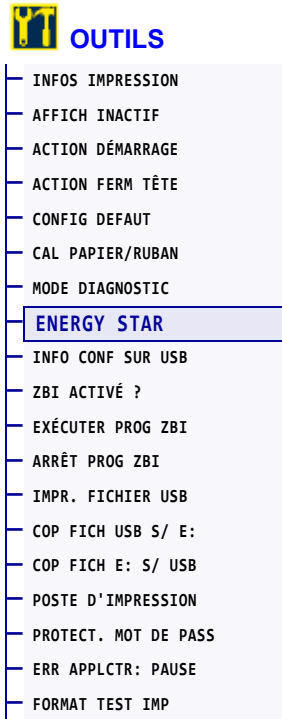


Cet outil de diagnostic permet de récupérer les valeurs hexadécimales de toutes les données reçues par l'imprimante. Pour plus d'informations, reportez-vous au [Test de diagnostic des communications](#) à la page 241.

<i>Valeurs acceptées :</i>	<ul style="list-style-type: none"> <li>• <b>DEACTIVE</b></li> <li>• <b>ACTIVE</b></li> </ul>
<i>Commande(s) ZPL connexe(s) :</i>	~JD pour activer, ~JE pour désactiver
<i>Commande SGD utilisée :</i>	<code>device.diagnostic_print</code>
<i>Clé(s) du panneau de commande :</i>	Maintenez les touches PAUSE + FEED (Avance) enfoncées pendant 2 secondes lorsque l'imprimante est prête.



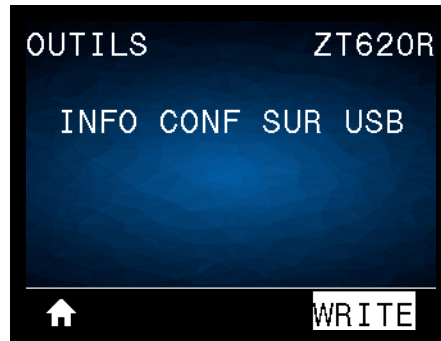
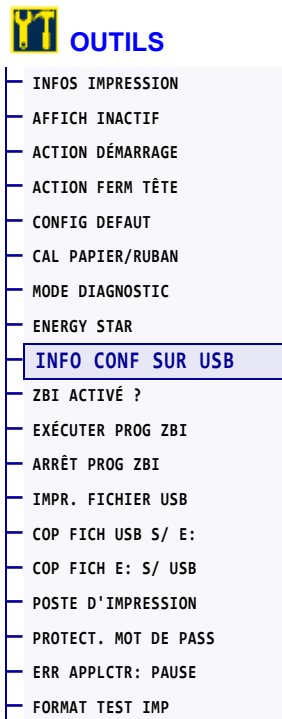
## OUTILS > ENERGY STAR



Lorsque le mode Energy Star est activé, l'imprimante passe en mode « veille » après un délai d'attente, réduisant ainsi la consommation électrique. Appuyez sur un bouton du panneau de commande pour que l'imprimante soit de nouveau active.

<i>Valeurs acceptées :</i>	<ul style="list-style-type: none"> <li>• <b>ACTIF</b></li> <li>• <b>INACTIF</b></li> </ul>
<i>Commande SGD utilisée :</i>	<p><code>power.energy_star.enable</code>  <code>power.energy_star_timeout</code>                  (pour définir le délai d'inactivité avant l'appel du mode Energy Star)</p>

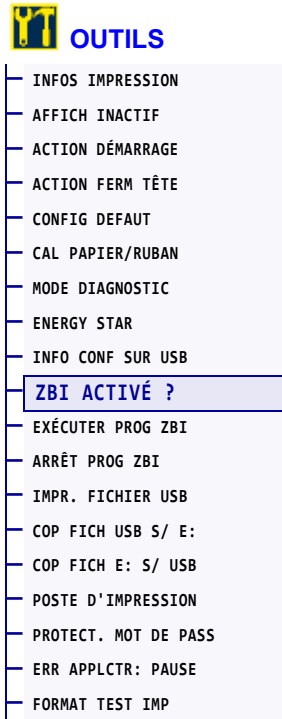
## OUTILS > INFO CONF SUR USB



Cette fonction permet de copier les informations de configuration de l'imprimante sur un périphérique USB de stockage de masse comme un lecteur de mémoire flash, qui est branché sur l'un des ports USB de l'imprimante. Les informations sont ainsi accessibles sans avoir à imprimer d'étiquettes physiques. Pour imprimer les informations sur les étiquettes, reportez-vous à la section [INFOS IMPRESSION](#) à la page 119.

<i>Commande(s) ZPL connexe(s) :</i>	^HH : renvoie les informations de l'imprimante renvoyées sur l'ordinateur hôte.
<i>Page Web de l'imprimante :</i>	<p>Printer Home Page &gt; View Printer Configuration (Page d'accueil de l'imprimante &gt; Afficher la configuration de l'imprimante) (pour afficher les informations de configuration de l'imprimante sur votre navigateur Web)</p> <p>View and Modify Printer Settings &gt; Print Listings on Label (Afficher et modifier les paramètres de l'imprimante &gt; Imprimer listes sur étiquette) (pour imprimer les informations de configuration sur les étiquettes)</p>

## OUTILS > ZBI ACTIVÉ ?

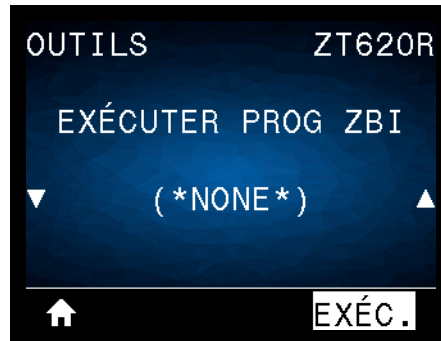
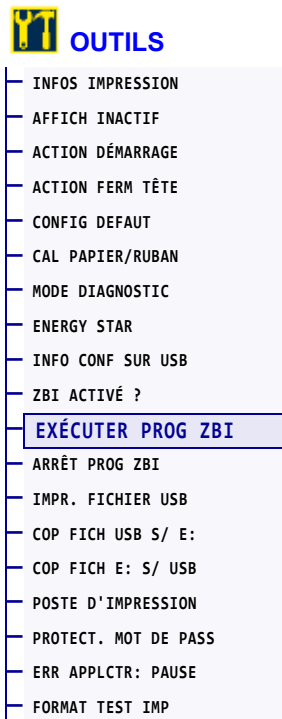


Zebra Basic Interpreter (ZBI 2.0™) est une option de programmation que vous pouvez acquérir pour votre imprimante. Si vous souhaitez acheter ce produit, contactez votre revendeur Zebra pour plus d'informations.

Commande SGD utilisée :

**zbi.key** (indique si l'option ZBI 2.0 est activée ou désactivée sur l'imprimante)

## OUTILS > EXÉCUTER PROG ZBI



\* Cette option de menu n'apparaît que si ZBI est activé sur votre imprimante.

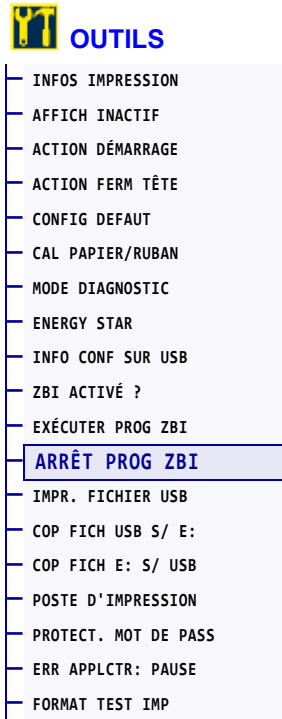
Si des programmes ZBI ont été téléchargés sur votre imprimante, vous pouvez en sélectionner un à exécuter avec cette option. Si aucun programme ZBI n'est installé sur votre imprimante, la mention SANS est affichée.

### Pour exécuter un programme ZBI que vous avez téléchargé sur votre imprimante :

1. Appuyez sur la flèche vers le haut ou vers le bas pour sélectionner un fichier dans ce menu.
2. Appuyez sur le bouton droit de sélection pour sélectionner **EXÉC.**. Si aucun programme n'est installé, l'action **EXÉC.** est sans effet.

Commande(s) ZPL connexe(s) :	^JI, ~JI
Commande SGD utilisée :	zbi.control.run
Page Web de l'imprimante :	Printer Home Page > Directory Listing (Page d'accueil de l'imprimante > Liste des répertoires)

## OUTILS > ARRÊT PROG ZBI



\* Cette option de menu n'apparaît que si un programme ZBI est exécuté sur votre imprimante.

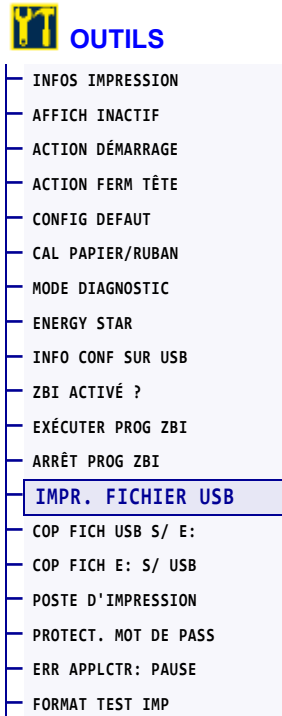
Utilisez cette option pour arrêter un programme ZBI. L'imprimante répertorie uniquement les programmes en cours d'exécution.

### Pour arrêter un programme ZBI :

1. Si nécessaire, appuyez sur la flèche vers le haut ou vers le bas pour sélectionner le fichier dans ce menu.
2. Appuyez sur le bouton droit de sélection afin de sélectionner **STOP**.

Commande(s) ZPL connexe(s) :	~JQ
Commande SGD utilisée :	zbi.control.terminate
Page Web de l'imprimante :	Printer Home Page > Directory Listing (Page d'accueil de l'imprimante > Liste des répertoires)

## OUTILS > IMPR. FICHER USB



\* Cette option de menu ne peut être utilisée que si une clé USB est insérée dans le port USB de l'imprimante.

Sélectionnez les fichiers à imprimer qui sont enregistrés sur une clé USB. Reportez-vous aux exercices figurant dans la section [Utilisation des ports USB et de la technologie NFC](#) à la page 263 pour voir un exercice utilisant cette fonctionnalité.

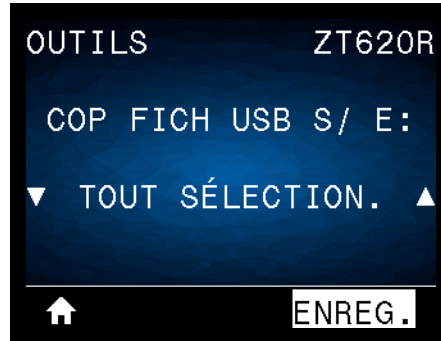
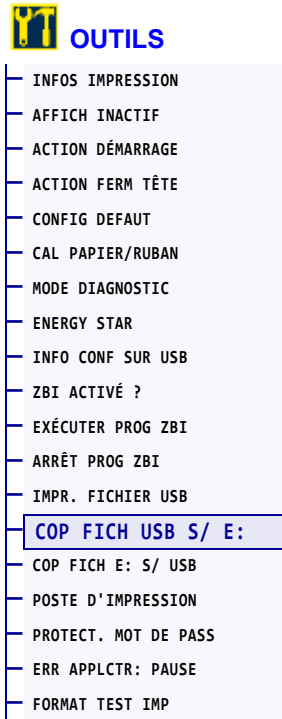
### Pour imprimer des fichiers à partir d'une clé USB :

1. Insérez une clé USB dans le port correspondant de l'imprimante.  
L'imprimante affiche les fichiers disponibles. L'option **TOUT SÉLECTION.** permet d'imprimer tous les fichiers présents sur la clé USB.
2. Appuyez sur la flèche vers le haut ou vers le bas pour sélectionner un fichier dans ce menu.
3. Appuyez sur le bouton droit de sélection afin de sélectionner **IMPRIME.**

Commande SGD utilisée :

`usb.host.read_list`

## OUTILS > COP FICH USB S/ E:



\* Cette option de menu ne peut être utilisée que si une clé USB est insérée dans le port USB de l'imprimante.

Sélectionnez les fichiers à copier vers l'imprimante qui sont enregistrés sur une clé USB. Reportez-vous aux exercices figurant dans la section *Utilisation des ports USB et de la technologie NFC* à la page 263 pour voir un exercice utilisant cette fonctionnalité.

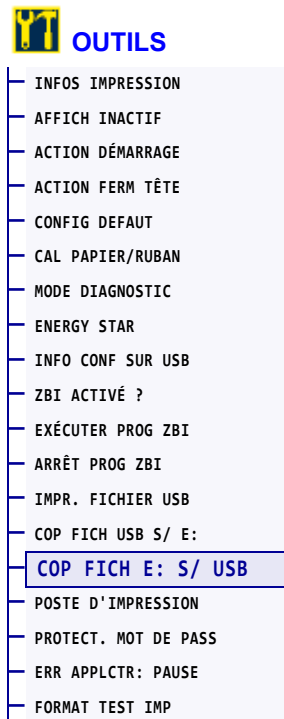
### Pour copier des fichiers sur l'imprimante à partir d'une clé USB :

1. Insérez une clé USB dans le port hôte correspondant de l'imprimante.  
L'imprimante affiche les fichiers disponibles. **TOUT SÉLECTION.** permet de copier tous les fichiers disponibles à partir de la clé USB.
2. Appuyez sur la flèche vers le haut ou vers le bas pour sélectionner un fichier dans ce menu.
3. Appuyez sur le bouton droit de sélection afin de sélectionner **ENREG.**.

Commande SGD utilisée :

`usb.host.read_list`

## OUTILS > COP FICH E: S/ USB



\* Cette option de menu ne peut être utilisée que si une clé USB est insérée dans le port USB de l'imprimante.

Sélectionnez les fichiers de l'imprimante à stocker sur une clé USB. Reportez-vous aux exercices figurant dans la section *Utilisation des ports USB et de la technologie NFC* à la page 263 pour voir un exercice utilisant cette fonctionnalité.

### Pour copier des fichiers de l'imprimante sur une clé USB :

1. Insérez une clé USB dans le port correspondant de l'imprimante.  
L'imprimante affiche les fichiers disponibles. **TOUT SÉLECTION.** permet de stocker tous les fichiers de l'imprimante sur la clé USB.
2. Appuyez sur la flèche vers le haut ou vers le bas pour sélectionner un fichier dans ce menu.
3. Appuyez sur le bouton droit de sélection afin de sélectionner **ENREG.**

Commande SGD utilisée :

`usb.host.write_list`



## OUTILS > POSTE D'IMPRESSION



### OUTILS

INFOS IMPRESSION
AFFICH INACTIF
ACTION DÉMARRAGE
ACTION FERM TÊTE
CONFIG DEFAULT
CAL PAPIER/RUBAN
MODE DIAGNOSTIC
ENERGY STAR
INFO CONF SUR USB
ZBI ACTIVÉ ?
EXÉCUTER PROG ZBI
ARRÊT PROG ZBI
IMPR. FICHER USB
COP FICH USB S/ E:
COP FICH E: S/ USB
<b>POSTE D'IMPRESSION</b>
PROTECT. MOT DE PASS
ERR APPLCTR: PAUSE
FORMAT TEST IMP



\* Cette option de menu ne peut être utilisée que si une clé USB avec un format d'étiquette adapté est insérée dans le port USB de l'imprimante.

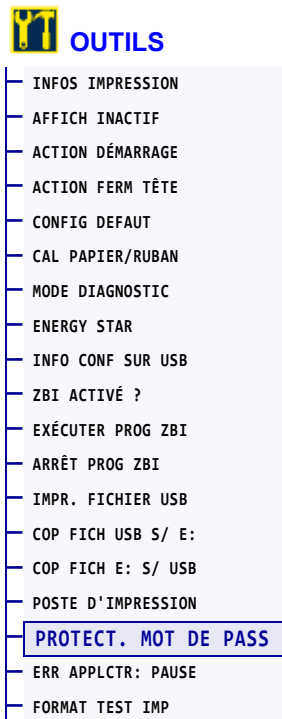
Cette option permet de renseigner des champs de variable dans un format d'étiquette et d'imprimer cette dernière à l'aide d'un périphérique HID (Human Input Device, périphérique d'interface avec l'utilisateur), tel qu'un clavier USB, une balance ou un lecteur de code à barres. Pour utiliser cette option, un format d'étiquette adapté doit être stocké sur le disque E: de l'imprimante. Reportez-vous aux exercices figurant dans la section *Utilisation des ports USB et de la technologie NFC* à la page 263 pour voir un exercice utilisant cette fonctionnalité.

Lorsque vous connectez un périphérique HID sur l'un des ports USB de l'imprimante, utilisez ce menu utilisateur pour sélectionner un formulaire sur le disque E: de l'imprimante. Après avoir indiqué chaque variable **^FN** dans le formulaire, vous pouvez spécifier le nombre d'étiquettes à imprimer.

Pour plus d'informations sur l'utilisation de la commande **^FN** ou sur les commandes SGD correspondant à cette fonction, consultez le *Guide de programmation Zebra*. Vous pouvez le télécharger sur le site <http://www.zebra.com/manuals>.

Commande SGD utilisée :	usb.host.keyboard_input (doit être définie sur OUI) usb.host.template_list usb.host.fn_field_list usb.host.fn_field_data usb.host.fn_last_field usb.host.template_print_amount
-------------------------	---

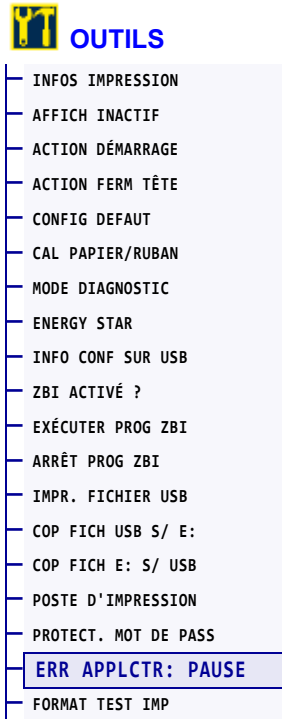
## OUTILS > PROTECT. MOT DE PASS



Sélectionnez le niveau de protection par mot de passe pour les options du menu utilisateur. Le mot de passe par défaut de l'imprimante est **1234**.

<i>Valeurs acceptées :</i>	<ul style="list-style-type: none"> <li>• SANS</li> <li>• SÉLECTIONNÉ</li> <li>• TOUT</li> </ul>
<i>Commande(s) ZPL connexe(s) :</i>	^KP (pour changer le mot de passe de l'imprimante)

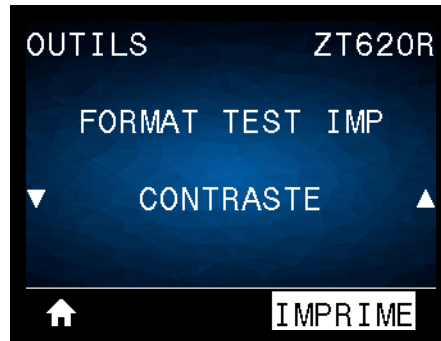
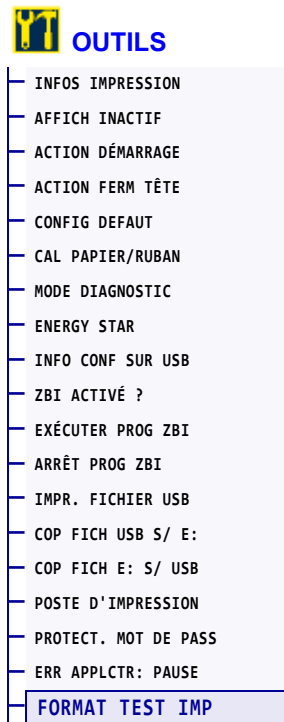
## OUTILS > ERR APPLCTR: PAUSE



Si cette option est activée lorsque l'imprimante est mise en pause, elle définit l'état d'erreur de l'applicateur.

<i>Valeurs acceptées :</i>	<ul style="list-style-type: none"> <li>• ACTIVE</li> <li>• DESACTIVE</li> </ul>
<i>Commande(s) ZPL connexe(s) :</i>	~JJ
<i>Page Web de l'imprimante :</i>	View and Modify Printer Settings > Advanced Setup > Error on Pause (Afficher et modifier les paramètres de l'imprimante > Config avancée > Erreur lors de la pause)

## OUTILS > FORMAT TEST IMP



Cette option permet d'initier des séquences de test qui impriment des types d'étiquettes spécifiques afin de résoudre les problèmes d'impression. Reportez-vous à la section [Option de format de test d'impression à la page 234](#) pour voir des exemples de jeux d'étiquettes et obtenir des informations supplémentaires.

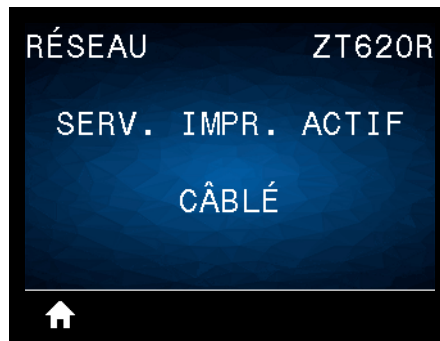
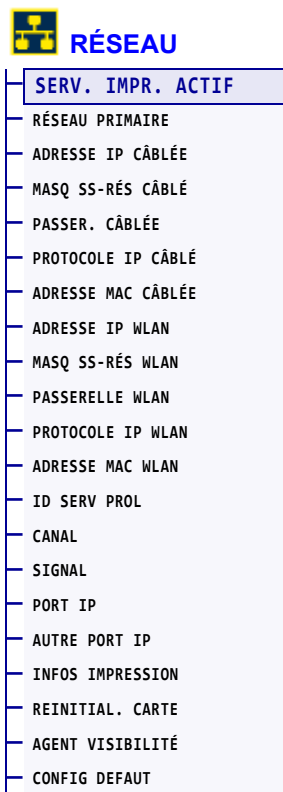
### Valeurs acceptées :

- **CONTRASTE** : exécute une image répétée dans des niveaux de contraste croissants.
- **POS PREMIER POINT** : identifie la position du premier point et le bord haut de l'étiquette pour vous permettre d'ajuster la position de l'étiquette.
- **LIGNE D'IMPRESSION** : initie une séquence de test. Reportez-vous à la section [LIGNE D'IMPRESSION à la page 236](#) pour plus d'informations.\*
- **COMPRESSION IMAGE** : imprime une image avec des lignes et des cercles pour permettre de résoudre les problèmes de compression ou d'étirement d'une image.
- **ÉLÉMENT ÉPUIsé** : imprime une image horizontale servant à montrer si un élément de la tête d'impression ne fonctionne pas.

<i>Commande SGD utilisée :</i>	<code>print.troubleshooting_label_choices</code> (indique le type d'étiquette) <code>print.troubleshooting_label_print</code> (imprime l'étiquette)
<i>Clé(s) du panneau de commande :</i>	Pour initier la séquence de test LIGNE D'IMPRESSION, vous pouvez également redémarrer l'imprimante tout en maintenant le bouton PAUSE enfoncé. Maintenez le bouton PAUSE enfoncé jusqu'à ce que le premier voyant du panneau de commande s'éteigne. (appelé auparavant test automatique PAUSE).

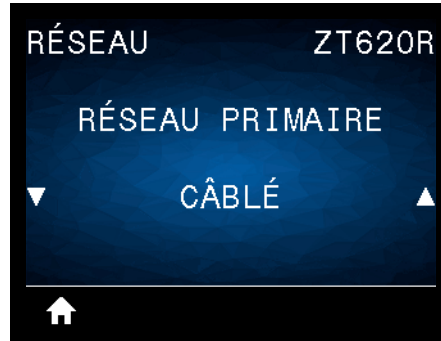
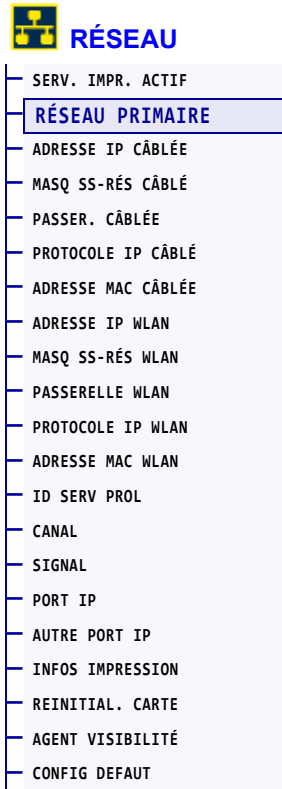
\* Cette séquence de test imprime une grande quantité d'étiquettes. Pour plus d'informations, voir la section [LIGNE D'IMPRESSION](#) à la page 236.

## RÉSEAU > SERV. IMPR. ACTIF



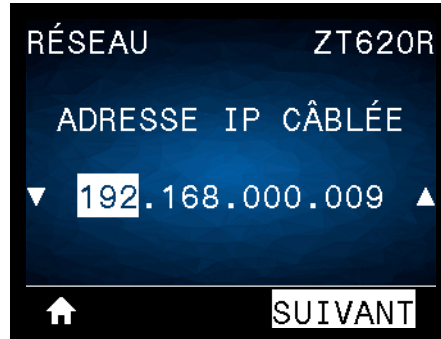
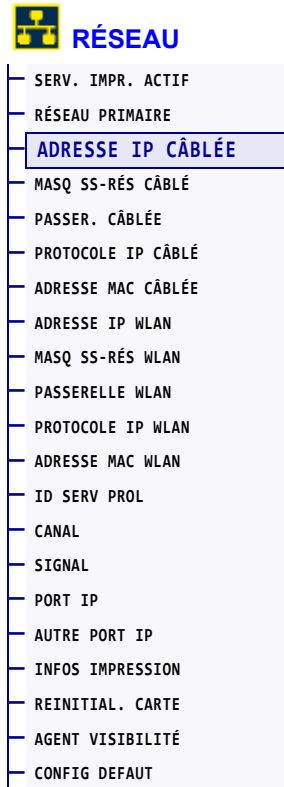
Indique si le serveur d'impression câblé ou sans fil est actif actuellement.

## RÉSEAU > RÉSEAU PRIMAIRE



Indique si le serveur d'impression câblé ou sans fil est considéré comme serveur principal ou permet de le modifier. Vous pouvez sélectionner le serveur qui sera le serveur principal.

## RÉSEAU > ADRESSE IP CÂBLÉE



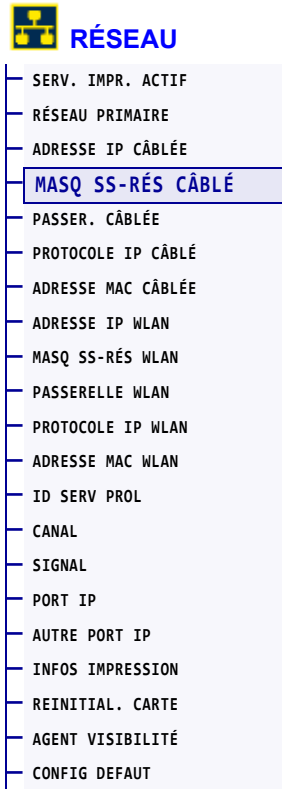
Affiche, et au besoin vous permet de modifier, l'adresse IP de l'imprimante pour le réseau câblé.

Pour enregistrer les modifications apportées à ce paramètre, définissez *PROTOCOLE IP CÂBLÉ* à la page 147 sur PERMANENTE, puis réinitialisez le serveur d'impression (voir la section *REINITIAL. CARTE* à la page 159). Pour plus d'informations, voir la section *Modification de l'adresse IP* à la page 261.

<i>Valeurs acceptées :</i>	000 à 255 pour chaque champ
<i>Commande(s) ZPL connexe(s) :</i>	^ND
<i>Commande SGD utilisée :</i>	internal_wired.ip.addr
<i>Page Web de l'imprimante :</i>	View and Modify Printer Settings > Network Communications Setup > TCP/IP Settings (Afficher et modifier les paramètres de l'imprimante > Configuration des communications réseau > Paramètres TCP/IP)



## RÉSEAU > MASQ SS-RÉS CÂBLÉ

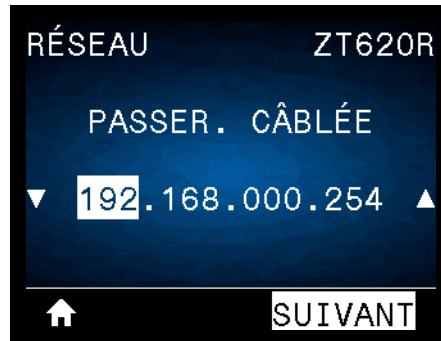
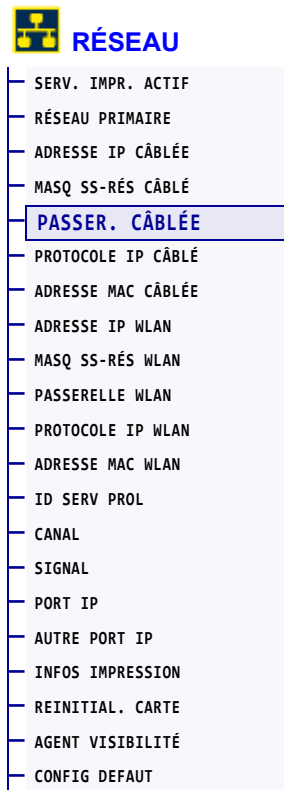


Affiche le masque de sous-réseau câblé et permet de le modifier si nécessaire.

Pour enregistrer les modifications apportées à ce paramètre, définissez *PROTOCOLE IP CÂBLÉ* à la page 147 sur PERMANENTE, puis réinitialisez le serveur d'impression (voir la section *REINITIAL. CARTE* à la page 159). Pour plus d'informations, voir la section *Modification de l'adresse IP* à la page 261.

<i>Valeurs acceptées :</i>	000 à 255 pour chaque champ
<i>Commande(s) ZPL connexe(s) :</i>	^ND
<i>Commande SGD utilisée :</i>	internal_wired.ip.netmask
<i>Page Web de l'imprimante :</i>	View and Modify Printer Settings > Network Communications Setup > TCP/IP Settings (Afficher et modifier les paramètres de l'imprimante > Configuration des communications réseau > Paramètres TCP/IP)

## RÉSEAU > PASSER. CÂBLÉE

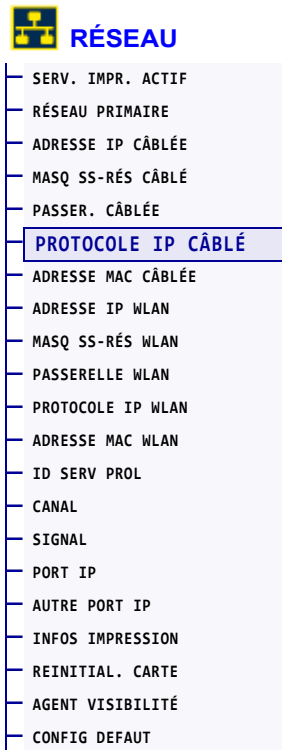


Affiche et, si nécessaire, permet de modifier la passerelle câblée par défaut.

Pour enregistrer les modifications apportées à ce paramètre, définissez *PROTOCOLE IP CÂBLÉ* à la page 147 sur PERMANENTE, puis réinitialisez le serveur d'impression (voir la section *REINITIAL. CARTE* à la page 159). Pour plus d'informations, voir la section *Modification de l'adresse IP* à la page 261.

<i>Valeurs acceptées :</i>	000 à 255 pour chaque champ
<i>Commande(s) ZPL connexe(s) :</i>	^ND
<i>Commande SGD utilisée :</i>	internal_wired.ip.gateway
<i>Page Web de l'imprimante :</i>	View and Modify Printer Settings > Network Communications Setup > TCP/IP Settings (Afficher et modifier les paramètres de l'imprimante > Configuration des communications réseau > Paramètres TCP/IP)

## RÉSEAU > PROTOCOLE IP CÂBLÉ



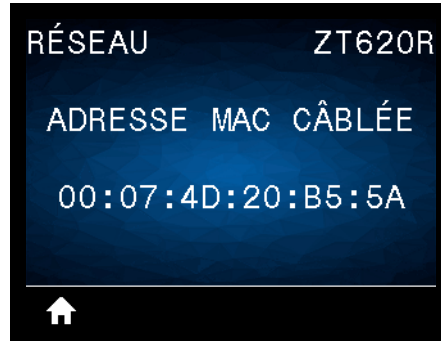
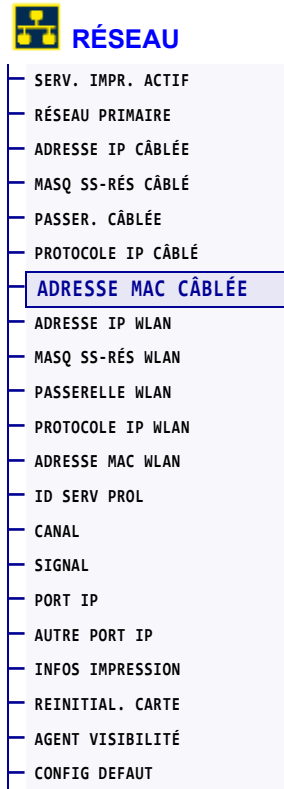
Ce paramètre indique si l'utilisateur (définition permanente) ou le serveur (définition dynamique) sélectionne l'adresse IP du serveur d'impression câblé. Lorsqu'une option dynamique est sélectionnée, le paramètre détermine les méthodes de réception par le serveur d'impression de l'adresse IP envoyée par le serveur. Pour plus d'informations, voir la section [Modification de l'adresse IP](#) à la page 261.



**Important** • Vous devez réinitialiser le serveur d'impression pour appliquer les modifications apportées aux paramètres réseau.

<i>Valeurs acceptées :</i>	<ul style="list-style-type: none"> <li>• TOUT</li> <li>• COLLECTE SLT</li> <li>• RARP</li> <li>• BOOTP</li> <li>• DHCP</li> <li>• DHCP et BOOTP</li> <li>• PERMANENTE</li> </ul>
<i>Commande(s) ZPL connexe(s) :</i>	^ND
<i>Commande SGD utilisée :</i>	internal_wired.ip.protocol
<i>Page Web de l'imprimante :</i>	View and Modify Printer Settings > Network Communications Setup > TCP/IP Settings (Afficher et modifier les paramètres de l'imprimante > Configuration des communications réseau > Paramètres TCP/IP)

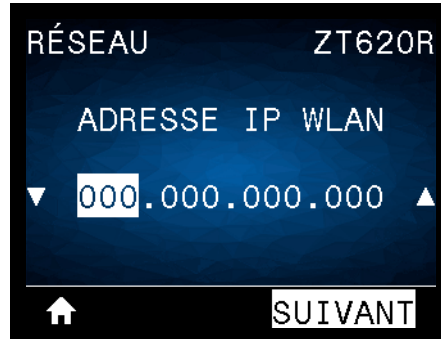
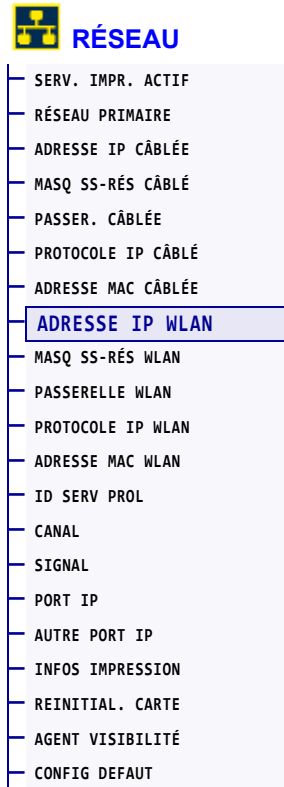
## RÉSEAU > ADRESSE MAC CÂBLÉE



Affiche l'adresse MAC (Media Access Control) du serveur d'impression câblé.

<i>Commande SGD utilisée :</i>	<code>internal_wired.mac_addr</code>
<i>Page Web de l'imprimante :</i>	View and Modify Printer Settings > Network Communications Setup > TCP/IP Settings (Afficher et modifier les paramètres de l'imprimante > Configuration des communications réseau > Paramètres TCP/IP)

## RÉSEAU > ADRESSE IP WLAN

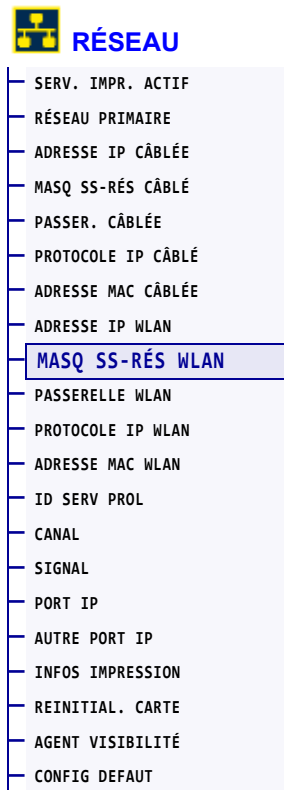


Affiche et, si nécessaire, permet de modifier l'adresse IP sans fil de l'imprimante.

Pour enregistrer les modifications apportées à ce paramètre, définissez *PROTOCOLE IP WLAN* à la page 152 sur PERMANENTE, puis réinitialisez le serveur d'impression (voir la section *REINITIAL. CARTE* à la page 159). Pour plus d'informations, voir la section *Modification de l'adresse IP* à la page 261.

<i>Valeurs acceptées :</i>	000 à 255 pour chaque champ
<i>Commande(s) ZPL connexe(s) :</i>	^ND
<i>Commande SGD utilisée :</i>	ip.addr, wlan.ip.addr
<i>Page Web de l'imprimante :</i>	View and Modify Printer Settings > Network Communications Setup > Wireless Setup (Afficher et modifier les paramètres de l'imprimante > Configuration des communications réseau > Configuration sans fil)

## RÉSEAU > MASQ SS-RÉS WLAN

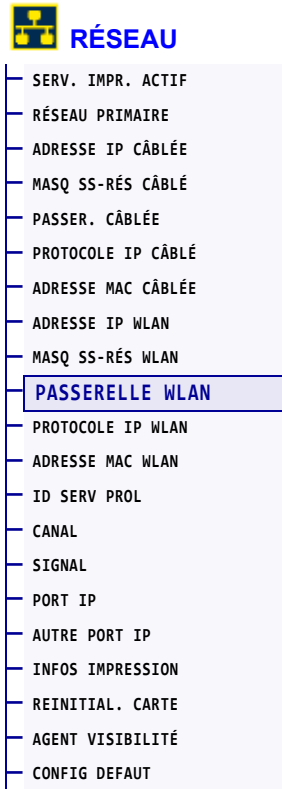


Affiche le masque de sous-réseau sans fil et permet de le modifier si nécessaire.

Pour enregistrer les modifications apportées à ce paramètre, définissez *PROTOCOLE IP WLAN* à la page 152 sur PERMANENTE, puis réinitialisez le serveur d'impression (voir la section *REINITIAL. CARTE* à la page 159). Pour plus d'informations, voir la section *Modification de l'adresse IP* à la page 261.

<i>Valeurs acceptées :</i>	000 à 255 pour chaque champ
<i>Commande(s) ZPL connexe(s) :</i>	^ND
<i>Commande SGD utilisée :</i>	wlan.ip.netmask
<i>Page Web de l'imprimante :</i>	View and Modify Printer Settings > Network Communications Setup > Wireless Setup (Afficher et modifier les paramètres de l'imprimante > Configuration des communications réseau > Configuration sans fil)

## RÉSEAU > PASSERELLE WLAN

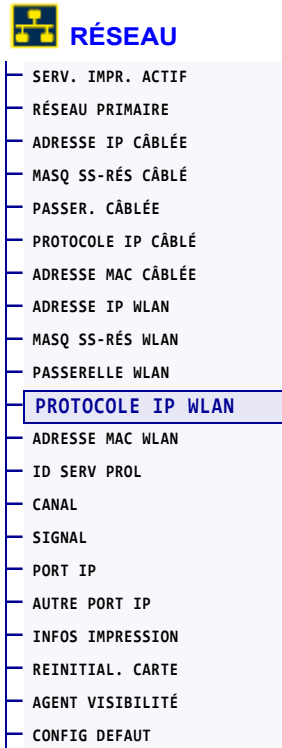


Affiche et, si nécessaire, permet de modifier la passerelle sans fil par défaut.

Pour enregistrer les modifications apportées à ce paramètre, définissez *PROTOCOLE IP WLAN* à la page 152 sur PERMANENTE, puis réinitialisez le serveur d'impression (voir la section *REINITIAL. CARTE* à la page 159). Pour plus d'informations, voir la section *Modification de l'adresse IP* à la page 261.

<i>Valeurs acceptées :</i>	000 à 255 pour chaque champ
<i>Commande(s) ZPL connexe(s) :</i>	^ND
<i>Commande SGD utilisée :</i>	wlan.ip.gateway
<i>Page Web de l'imprimante :</i>	View and Modify Printer Settings > Network Communications Setup > Wireless Setup (Afficher et modifier les paramètres de l'imprimante > Configuration des communications réseau > Configuration sans fil)

## RÉSEAU > PROTOCOLE IP WLAN



Ce paramètre indique si l'utilisateur (définition permanente) ou le serveur (définition dynamique) sélectionne l'adresse IP du serveur d'impression sans fil. Lorsqu'une option dynamique est sélectionnée, le paramètre détermine les méthodes de réception par le serveur d'impression de l'adresse IP envoyée par le serveur. Pour plus d'informations, voir la section [Modification de l'adresse IP](#) à la page 261.

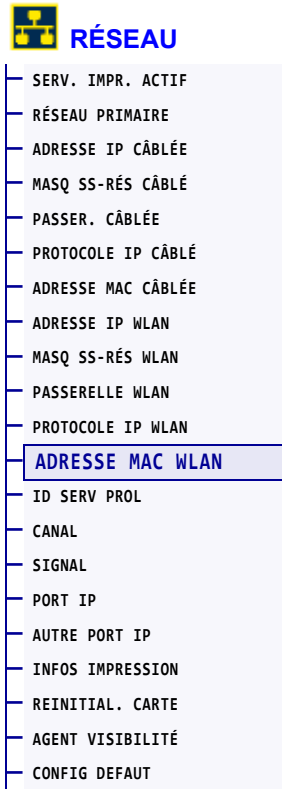


**Important** • Vous devez réinitialiser le serveur d'impression pour appliquer les modifications apportées aux paramètres réseau.

<i>Valeurs acceptées :</i>	<ul style="list-style-type: none"> <li>• TOUT</li> <li>• COLLECTE SLT</li> <li>• RARP</li> <li>• BOOTP</li> <li>• DHCP</li> <li>• DHCP et BOOTP</li> <li>• PERMANENTE</li> </ul>
<i>Commande(s) ZPL connexe(s) :</i>	^ND
<i>Commande SGD utilisée :</i>	wlan.ip.protocol
<i>Page Web de l'imprimante :</i>	View and Modify Printer Settings > Network Communications Setup > Wireless Setup (Afficher et modifier les paramètres de l'imprimante > Configuration des communications réseau > Configuration sans fil)



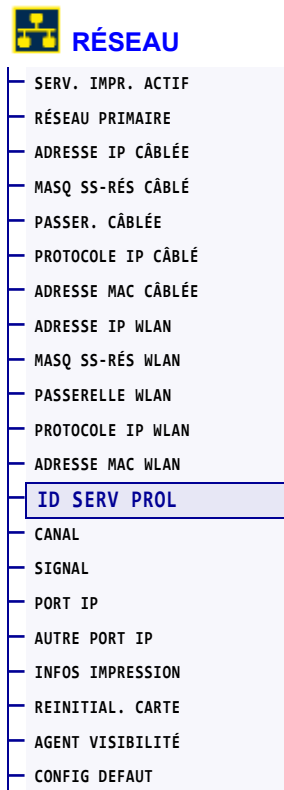
## RÉSEAU > ADRESSE MAC WLAN



Affiche l'adresse MAC (Media Access Control) du serveur d'impression sans fil.

<i>Commande SGD utilisée :</i>	<code>wlan.mac_addr</code>
<i>Page Web de l'imprimante :</i>	View and Modify Printer Settings > Network Communications Setup > Wireless Setup (Afficher et modifier les paramètres de l'imprimante > Configuration des communications réseau > Configuration sans fil)

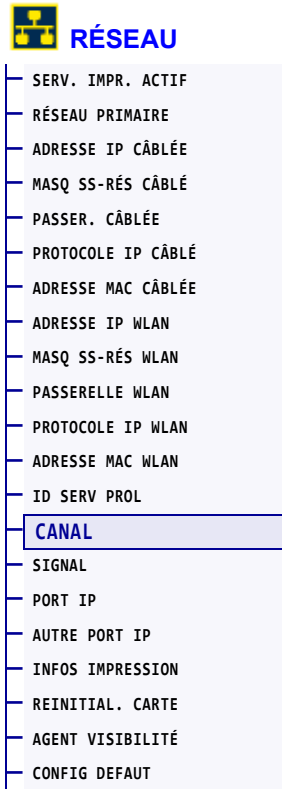
## RÉSEAU > ID SERV PROL



L'ID SERV PROL (ESSID, Extended Service Set Identification) est l'identifiant de votre réseau sans fil. Ce paramètre, qui ne peut pas être modifié à partir du panneau de commande, indique l'ESSID de la configuration sans fil actuelle.

<i>Valeurs acceptées :</i>	Chaîne alphanumérique de 32 caractères (125 par défaut)
<i>Commande SGD utilisée :</i>	<code>wlan.essid</code>
<i>Page Web de l'imprimante :</i>	View and Modify Printer Settings > Network Communications Setup > Wireless Setup (Afficher et modifier les paramètres de l'imprimante > Configuration des communications réseau > Configuration sans fil)

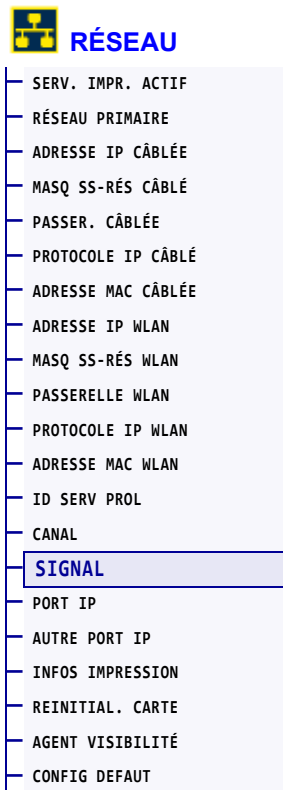
## RÉSEAU > CANAL



Affiche le canal sans fil utilisé lorsque le réseau sans fil est activé et authentifié.

<i>Commande SGD utilisée :</i>	<code>wlan.channel</code>
<i>Page Web de l'imprimante :</i>	View and Modify Printer Settings > Network Communications Setup > Wireless Setup (Afficher et modifier les paramètres de l'imprimante > Configuration des communications réseau > Configuration sans fil)

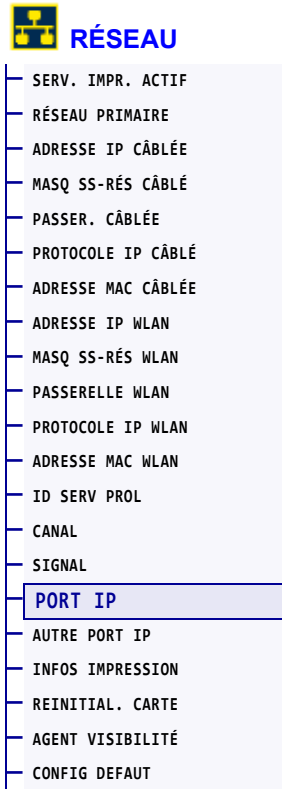
## RÉSEAU > SIGNAL



Affiche la puissance du signal sans fil lorsque le réseau sans fil est activé et authentifié.

Commande SGD utilisée :	<code>wlan.signal_strength</code>
Page Web de l'imprimante :	View and Modify Printer Settings > Network Communications Setup > Wireless Setup (Afficher et modifier les paramètres de l'imprimante > Configuration des communications réseau > Configuration sans fil)

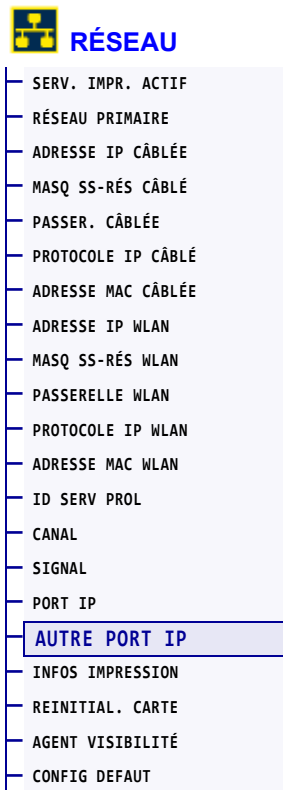
## RÉSEAU > PORT IP



Ce paramètre fait référence au numéro de port du serveur d'impression câblé interne sur lequel le service d'impression TCP écoute. Les communications TCP normales provenant de l'hôte doivent être dirigées vers ce port.

<i>Commande SGD utilisée :</i>	<code>internal_wired.ip.port</code>
<i>Page Web de l'imprimante :</i>	View and Modify Printer Settings > Network Communications Setup > TCP/IP Settings (Afficher et modifier les paramètres de l'imprimante > Configuration des communications réseau > Paramètres TCP/IP)

## RÉSEAU > AUTRE PORT IP



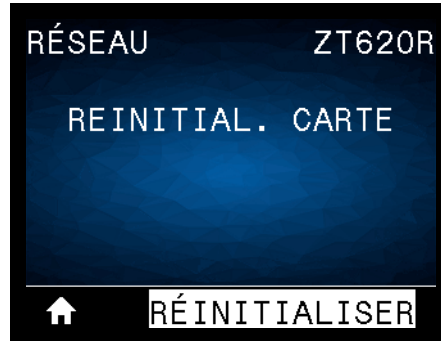
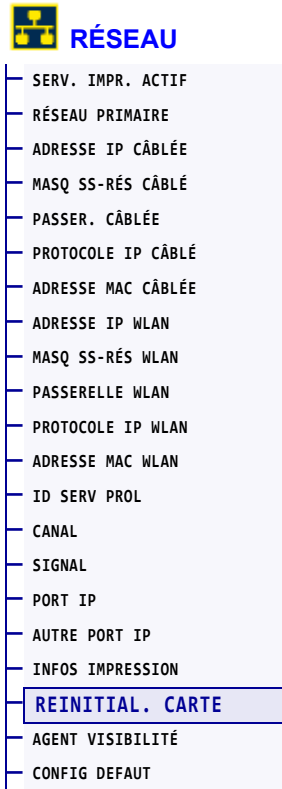
Cette commande définit le numéro du port TCP secondaire.



**Remarque** • Les serveurs d'impression prenant en charge cette commande contrôlent simultanément le port principal et le port secondaire des connexions.

<i>Commande SGD utilisée :</i>	<code>internal_wired.ip.port_alternate</code>
<i>Page Web de l'imprimante :</i>	View and Modify Printer Settings > Network Communications Setup > TCP/IP Settings (Afficher et modifier les paramètres de l'imprimante > Configuration des communications réseau > Paramètres TCP/IP)

## RÉSEAU > REINITIAL. CARTE



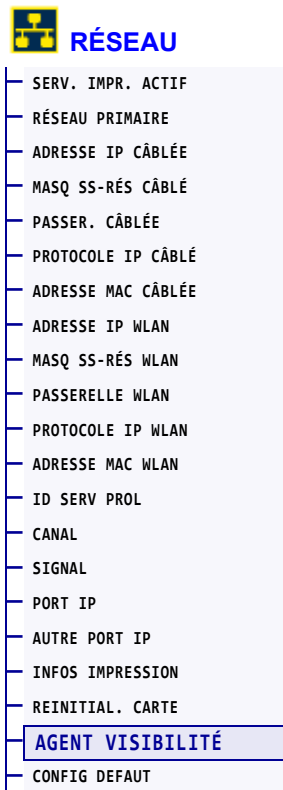
Cette option réinitialise le serveur d'impression câblé ou sans fil et enregistre les modifications apportées aux paramètres réseau.



**Important** • Vous devez réinitialiser le serveur d'impression pour appliquer les modifications apportées aux paramètres réseau.

<i>Commande(s) ZPL connexe(s) :</i>	~WR
<i>Commande SGD utilisée :</i>	device.reset
<i>Page Web de l'imprimante :</i>	Print Server Settings > Reset Print Server (Paramètres du serveur d'impression > Réinitialiser le serveur d'impression)

## RÉSEAU > AGENT VISIBILITÉ



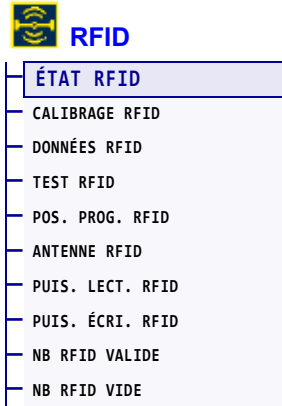
Lorsque l'imprimante est connectée à un réseau câblé ou sans fil, elle tentera de se connecter au Asset Visibility Service de Zebra via le Zebra Printer Connector basé sur le Cloud au moyen d'une connexion Web chiffrée et authentifiée par certificat. L'imprimante envoie les paramètres et données de découverte et les données d'alerte. Les données imprimées via des formats d'étiquettes ne sont PAS transmises.

Pour ne pas utiliser cette fonctionnalité, désactivez ce paramètre. Pour en savoir plus, reportez-vous à la note d'application « Opting Out of the Asset Visibility Agent » (Non-utilisation de l'Asset Visibility Agent) sur <http://www.zebra.com>.

<i>Valeurs acceptées :</i>	<ul style="list-style-type: none"> <li>• <b>ACTIF</b></li> <li>• <b>INACTIF</b></li> </ul>
<i>Commande SGD utilisée :</i>	<code>weblink.zebra_connector.enable</code>
<i>Page Web de l'imprimante :</i>	View and Modify Printer Settings > Network Configuration > Cloud Connect Settings (Afficher et modifier les paramètres de l'imprimante > Configuration du réseau > Paramètres de connexion Cloud)



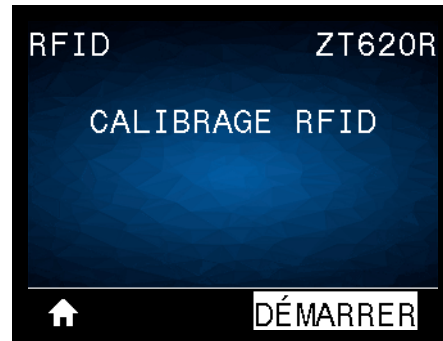
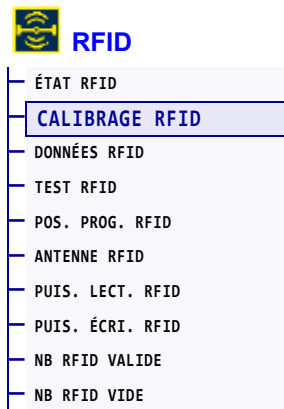
## RFID > ÉTAT RFID



Affiche l'état du sous-système RFID de l'imprimante.

Commande(s) ZPL connexe(s) :	^HL ou ~HL
Commande SGD utilisée :	rfid.error.response

## RFID > CALIBRAGE RFID



Lancez le calibrage d'étiquettes pour le papier RFID. (Différent du calibrage du papier et du ruban.) Au cours de la procédure, l'imprimante déplace le papier, calibre la position des étiquettes RFID et détermine les paramètres appropriés pour le papier RFID utilisé. Parmi ces paramètres, on compte notamment la position de programmation, l'élément antenne à utiliser et le niveau de puissance lecture/écriture à utiliser. Pour plus d'informations, reportez-vous au manuel *RFID Programming Guide 3* (Guide de programmation RFID 3).

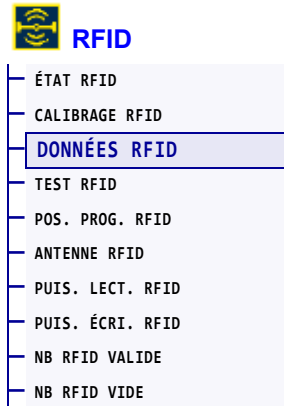


**Important** • Avant d'exécuter cette commande, chargez du papier RFID dans l'imprimante, calibrez votre imprimante, fermez la tête d'impression et faites avancer au moins une étiquette pour vous assurer que le calibrage d'étiquette commencera depuis la position correcte.

Laissez tous les transpondeurs avant et après l'étiquette en cours de calibrage. Cela permet à l'imprimante de déterminer les paramètres RFID qui n'encodent pas l'étiquette d'à côté. Laissez dépasser une partie du papier sur l'avant de l'imprimante pour permettre le recul au cours de la procédure de calibrage.

Commande(s) ZPL connexe(s) :	^HR
Commande SGD utilisée :	rfid.tag.calibrate

## RFID > DONNÉES RFID



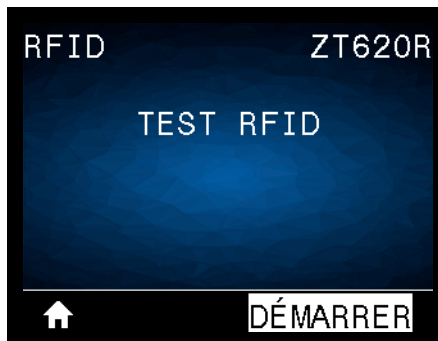
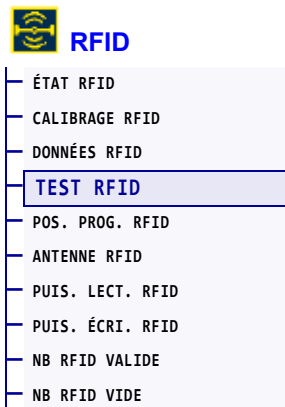
Lisez les données d'étiquettes indiquées et renvoyez-les dans l'étiquette RFID située au-dessus de l'antenne RFID. Aucun mouvement de l'imprimante ne se produit pendant la lecture des données de l'étiquette. La tête d'impression peut être ouverte ou fermée.

### Pour lire et afficher les informations stockées sur une étiquette RFID :

1. Positionnez une étiquette RFID de sorte que le transpondeur se trouve au-dessus de l'antenne RFID.
2. Sélectionnez le type d'informations que vous souhaitez lire et afficher à l'aide de la flèche vers le haut ou vers le bas.
3. Appuyez sur le bouton droit de sélection pour sélectionner READ (Lire).  
Les résultats du test s'affichent à l'écran.

<i>Valeurs acceptées :</i>	<p><b>cpe</b> : lit les 128 premiers bits des données CPE.</p> <p><b>infos id étiq.</b> : lit les 32 premiers bits de l'ID d'étiquette (TID).</p> <p><b>état mdp</b> : lit l'accès à l'étiquette et supprime les mots de passe.</p> <p><b>bits protocole</b> : lit les bits de protocole provenant des blocs de mémoire CPE et convertit cette valeur en taille CPE.</p> <p><b>taille mémoires</b> : lit les tailles de blocs de mémoire CPE, TID et utilisateur.</p>
<i>Commande(s) ZPL connexe(s) :</i>	^RF
<i>Commande SGD utilisée :</i>	<p>rfid.tag.read.content</p> <p>rfid.tag.read.execute</p>

## RFID > TEST RFID



Au cours d'un test RFID, l'imprimante tente d'effectuer une lecture et une écriture sur un transpondeur. Au cours de ce test, aucun mouvement de l'imprimante ne se produit.

### Pour tester une étiquette RFID :

1. Positionnez une étiquette RFID de sorte que le transpondeur se trouve au-dessus de l'antenne RFID.
2. Appuyez sur le bouton droit de sélection pour sélectionner DÉMARRER.  
Les résultats du test s'affichent à l'écran.

<i>Valeurs acceptées :</i>	<b>rapide</b> : effectue un test CPE de lecture et un test CPE d'écriture (à l'aide de données aléatoires). <b>read</b> (lecture) : effectue un test CPE de lecture. <b>write</b> (écriture) : effectue un test CPE d'écriture à l'aide de données aléatoires.
<i>Commande SGD utilisée :</i>	<code>rfid.tag.test.content</code> et <code>rfid.tag.test.execute</code>

## RFID > POS. PROG. RFID



- ÉTAT RFID
- CALIBRAGE RFID
- DONNÉES RFID
- TEST RFID
- **POS. PROG. RFID**
- ANTENNE RFID
- PUIS. LECT. RFID
- PUIS. ÉCRI. RFID
- NB RFID VALIDE
- NB RFID VIDE



Si la position de programmation souhaitée (lecture/écriture) n'est pas satisfaisante suite au calibrage d'étiquette RFID, vous pouvez indiquer une valeur.

<i>Valeurs acceptées :</i>	<p><b>F0</b> à <b>Fxxx</b> (où <b>xxx</b> est la longueur d'étiquette en mm ou <b>999</b>, selon la valeur la plus petite) : l'imprimante fait avancer l'étiquette de la distance indiquée, puis commence la programmation.</p> <p><b>B0</b> à <b>B30</b> : l'imprimante fait reculer l'étiquette de la distance indiquée, puis commence la programmation. Pour totaliser le recul, laissez dépasser du support de papier vide sur le devant de l'imprimante lorsque vous utilisez la position de programmation vers l'arrière.</p>
<i>Commande(s) ZPL connexe(s) :</i>	<b>^RS</b>
<i>Commande SGD utilisée :</i>	<b>rfid.position.program</b>
<i>Page Web de l'imprimante :</i>	View and Modify Printer Settings > RFID Setup > PROGRAM POSITION (Afficher et modifier les paramètres de l'imprimante > Configuration RFID > POSITION DE PROGRAMMATION)

## RFID > ANTENNE RFID



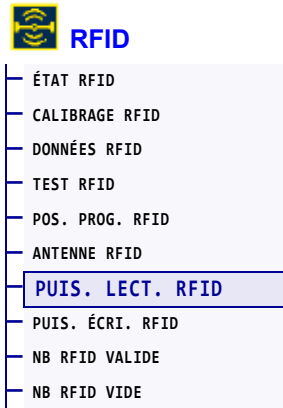
ÉTAT RFID
CALIBRAGE RFID
DONNÉES RFID
TEST RFID
POS. PROG. RFID
<b>ANTENNE RFID</b>
PUIS. LECT. RFID
PUIS. ÉCRI. RFID
NB RFID VALIDE
NB RFID VIDE



Si l'antenne souhaitée n'est pas satisfaisante suite au calibrage d'étiquette RFID, vous pouvez indiquer une valeur.

<i>Valeurs acceptées :</i>	A1, A2, A3, A4 B1, B2, B3, B4 C1, C2, C3, C4 D1, D2, D3, D4 E1, E2, E3, E4
<i>Commande(s) ZPL connexe(s) :</i>	^RW
<i>Commande SGD utilisée :</i>	rfid.reader_1.antenna_port
<i>Page Web de l'imprimante :</i>	View and Modify Printer Settings > RFID Setup > RFID ANTENNA (Afficher et modifier les paramètres de l'imprimante > Configuration RFID > ANTENNE RFID)

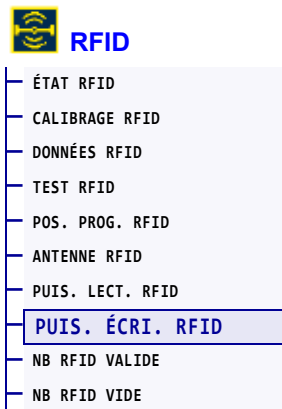
## RFID > PUIS. LECT. RFID



Si la puissance de lecture souhaitée n'est pas satisfaisante suite au calibrage d'étiquette RFID, vous pouvez indiquer une valeur.

<i>Valeurs acceptées :</i>	0 à 30
<i>Commande(s) ZPL connexe(s) :</i>	^RW
<i>Commande SGD utilisée :</i>	<code>rfid.reader_1.power.read</code>
<i>Page Web de l'imprimante :</i>	View and Modify Printer Settings > RFID Setup > RFID READ PWR (Afficher et modifier les paramètres de l'imprimante > Configuration RFID > PUIS. LECT. RFID)

## RFID > PUIS. ÉCRI. RFID

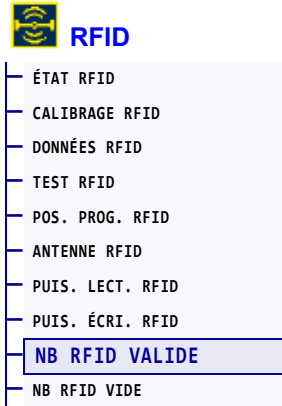


Si la puissance d'écriture souhaitée n'est pas satisfaisante suite au calibrage d'étiquette RFID, vous pouvez indiquer une valeur.

<i>Valeurs acceptées :</i>	0 à 30
<i>Commande(s) ZPL connexe(s) :</i>	^RW
<i>Commande SGD utilisée :</i>	<code>rfid.reader_1.power.write</code>
<i>Page Web de l'imprimante :</i>	View and Modify Printer Settings > RFID Setup > RFID WRITE PWR (Afficher et modifier les paramètres de l'imprimante > Configuration RFID > PUIS. ÉCRI. RFID)



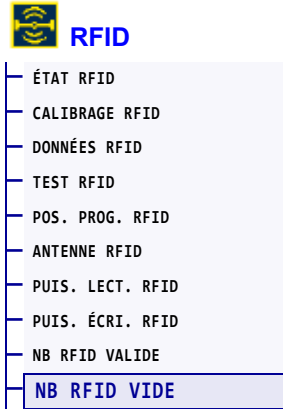
## RFID > NB RFID VALIDE



Réinitialise le compteur d'étiquettes RFID valide sur zéro.

Commande(s) ZPL connexe(s) :	~RO
Commande SGD utilisée :	odometer.rfid.valid_resetable

## RFID > NB RFID VIDE



Réinitialise le compteur d'étiquettes RFID nulles sur zéro.

Commande(s) ZPL connexe(s) :	~RO
Commande SGD utilisée :	odometer.rfid.void_resetable

## LANGAGE > LANGAGE


### LANGAGE

- LANGAGE
- LANGAGE COMMANDE
- CAR. COMMANDE
- CARAC. CONTROLE
- CAR SEPARATEUR
- MODE ZPL
- PÉRIPH. VIRTUEL

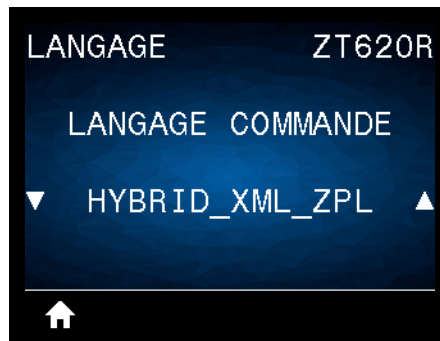


Si nécessaire, modifiez la langue affichée par l'imprimante. Cette modification concerne les éléments suivants :

- Menu Accueil
- Menus utilisateur
- Messages d'erreur
- Étiquette de configuration de l'imprimante, étiquette de configuration du réseau et autres étiquettes que vous pouvez choisir d'imprimer par le biais des menus utilisateur

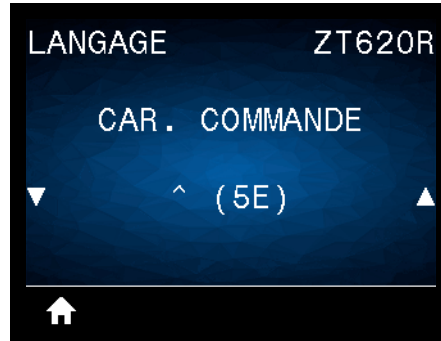
<i>Valeurs acceptées :</i>	CHINOIS SIMPL. , CHINOIS TRAD. , CORÉEN, DANSK, DEUTSCH, ENGLISH, ESPANOL, ESPANOL2, FRANCAIS, ITALIANO, JAPONAIS, NEDERLANDS, NORSK, POLSKI, PORTUGUES, ROUMAIN, РУССКИЙ, SUOMI, SVENSKA, TCHEQUE   <b>Remarque</b> • Les sélections proposées pour ce paramètre sont affichées dans la langue correspondante afin de faciliter le choix de la langue que vous pouvez lire.
<i>Commande(s) ZPL connexe(s) :</i>	^KL
<i>Commande SGD utilisée :</i>	display.language
<i>Page Web de l'imprimante :</i>	View and Modify Printer Settings > General Setup > Language (Afficher et modifier les paramètres de l'imprimante > Config générale > Langue)

## LANGAGE > LANGAGE COMMANDE



Affichez ou sélectionnez le langage de commande approprié.

## LANGAGE > CAR. COMMANDE



Le préfixe de commande de format est une valeur hexadécimale à deux chiffres utilisée comme repère de paramètre dans les instructions de format ZPL/ZPL II. L'imprimante recherche ce caractère hexadécimal indiquant le début d'une instruction de format ZPL/ZPL II.

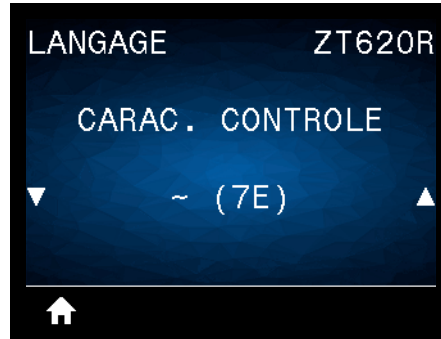
Définissez le caractère de commande de format correspondant à celui utilisé dans vos formats d'étiquettes.



**Important** • Vous ne pouvez pas utiliser la même valeur hexadécimale pour le préfixe de commande de format, le caractère de contrôle et les caractères séparateurs. L'imprimante doit trouver des caractères différents pour fonctionner correctement. Si vous définissez la valeur par le biais du panneau de commande, l'imprimante ignore toute valeur déjà utilisée.

<i>Valeurs acceptées :</i>	00 à FF
<i>Commande(s) ZPL connexe(s) :</i>	^CC ou ~CC
<i>Commande SGD utilisée :</i>	zpl.caret
<i>Page Web de l'imprimante :</i>	View and Modify Printer Settings > ZPL Control (Afficher et modifier les paramètres de l'imprimante > Contrôle ZPL)

## LANGAGE > CARAC. CONTROLE



L'imprimante recherche ce caractère hexadécimal à deux chiffres indiquant le début d'une instruction de contrôle ZPL/ZPL II. Alignez le préfixe de contrôle sur celui utilisé dans vos formats d'étiquette.

<i>Valeurs acceptées :</i>	00 à FF
<i>Commande(s) ZPL connexe(s) :</i>	^CT ou ~CT
<i>Commande SGD utilisée :</i>	zpl.control_character
<i>Page Web de l'imprimante :</i>	View and Modify Printer Settings > ZPL Control (Afficher et modifier les paramètres de l'imprimante > Contrôle ZPL)

## LANGAGE > CAR SEPARATEUR

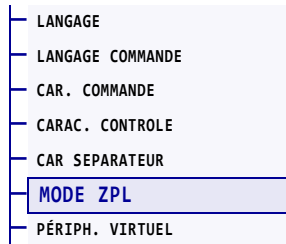


Le caractère séparateur est une valeur hexadécimale à deux chiffres utilisée comme repère de paramètre dans les instructions de format ZPL/ZPL II. Alignez le caractère de séparation sur ce qui est utilisé dans vos formats d'étiquette.

<i>Valeurs acceptées :</i>	00 à FF
<i>Commande(s) ZPL connexe(s) :</i>	^CD ou ~CD
<i>Commande SGD utilisée :</i>	zpl.delimiter
<i>Page Web de l'imprimante :</i>	View and Modify Printer Settings > ZPL Control (Afficher et modifier les paramètres de l'imprimante > Contrôle ZPL)

## LANGAGE > MODE ZPL

### LANGAGE



Sélectionnez le mode correspondant à celui utilisé dans vos formats d'étiquettes. L'imprimante accepte les formats d'étiquettes en ZPL ou ZPL II, ce qui évite d'avoir à réécrire les formats ZPL existants. L'imprimante conserve le mode sélectionné jusqu'à ce qu'il soit modifié de l'une des manières décrites.

<i>Valeurs acceptées :</i>	<ul style="list-style-type: none"> <li>• ZPL II</li> <li>• ZPL</li> </ul>
<i>Commande(s) ZPL connexe(s) :</i>	^SZ
<i>Commande SGD utilisée :</i>	zpl.zpl_mode
<i>Page Web de l'imprimante :</i>	View and Modify Printer Settings > ZPL Control (Afficher et modifier les paramètres de l'imprimante > Contrôle ZPL)

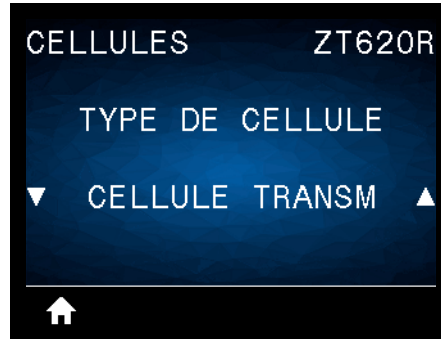
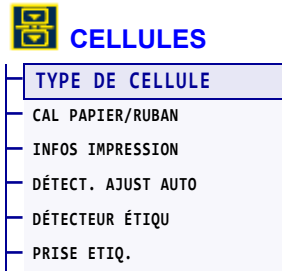


## LANGAGE > PÉRIPH. VIRTUEL



Si des applications de périphériques virtuels sont installées sur votre imprimante, vous pouvez les afficher ou les activer/désactiver à partir de ce menu utilisateur. Pour en savoir plus sur les périphériques virtuels, consultez le Guide de l'utilisateur de l'appareil virtuel approprié ou contactez votre revendeur local.

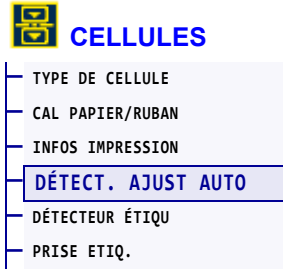
## CELLULES > TYPE DE CELLULE



Sélectionnez la cellule papier adaptée au papier que vous utilisez. La cellule réfléchissante doit être utilisée uniquement pour le papier avec marque noire. La cellule à transmission s'utilise pour les autres types de média.

<i>Valeurs acceptées :</i>	<ul style="list-style-type: none"><li>• CELLULE TRANSM</li><li>• CELLULE REFLECT.</li></ul>
<i>Commande(s) ZPL connexe(s) :</i>	^JS
<i>Commande SGD utilisée :</i>	device.sensor_select
<i>Page Web de l'imprimante :</i>	View and Modify Printer Settings > Media Setup (Afficher et modifier les paramètres de l'imprimante > Config papier)

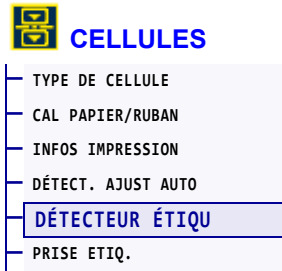
## CELLULES > DÉTECT. AJUST AUTO



Activez ce paramètre pour que l'imprimante tente de détecter les paramètres du papier automatiquement. Il sera peut-être nécessaire de calibrer manuellement l'imprimante si ce paramètre ne détecte pas votre papier correctement.

<i>Valeurs acceptées :</i>	<ul style="list-style-type: none"> <li>• NON</li> <li>• OUI</li> </ul>
<i>Commande SGD utilisée :</i>	<code>sensor.self_adjusting_enable</code>

## CELLULES > DÉTECTEUR ÉTIQU



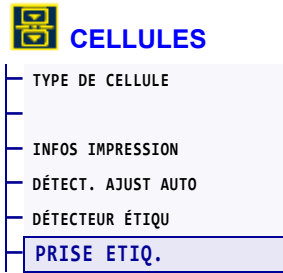
Définition de la sensibilité de la cellule étiquette.



**Important** • Cette valeur est définie lors du calibrage de la cellule. Ne modifiez pas ce paramètre, sauf si l'assistance technique Zebra ou un technicien de maintenance agréé vous en donne l'instruction.

<i>Valeurs acceptées :</i>	0 à 255
<i>Commande SGD utilisée :</i>	<code>ezpl.label_sensor</code>
<i>Page Web de l'imprimante :</i>	View and Modify Printer Settings > Calibration (Afficher et modifier les paramètres de l'imprimante > Calibrage)

## CELLULES > PRISE ETIQ.



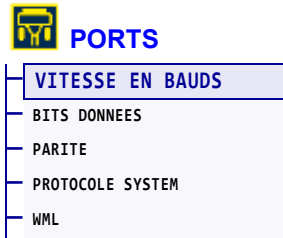
Définition de l'intensité du voyant de prise étiquette.



**Important** • Cette valeur est définie lors du calibrage de la cellule. Ne modifiez pas ce paramètre, sauf si l'assistance technique Zebra ou un technicien de maintenance agréé vous en donne l'instruction.

<i>Valeurs acceptées :</i>	0 à 255
<i>Commande SGD utilisée :</i>	<code>ezpl.take_label</code>
<i>Page Web de l'imprimante :</i>	View and Modify Printer Settings > Calibration (Afficher et modifier les paramètres de l'imprimante > Calibrage)

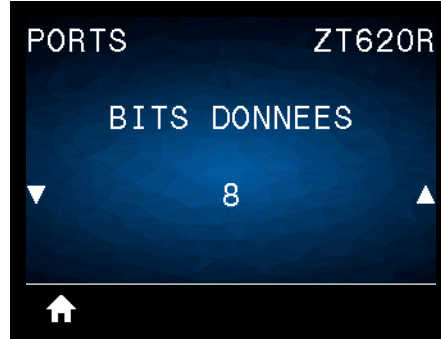
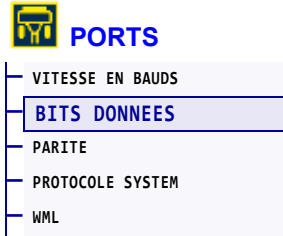
## PORTS > VITESSE EN BAUDS



Sélectionnez la valeur en bauds correspondant à celle utilisée par l'ordinateur hôte.

<i>Valeurs acceptées :</i>	<ul style="list-style-type: none"> <li>• 115200</li> <li>• 57600</li> <li>• 38400</li> <li>• 28800</li> <li>• 19200</li> <li>• 14400</li> <li>• 9600</li> <li>• 4800</li> </ul>
<i>Commande(s) ZPL connexe(s) :</i>	^SC
<i>Commande SGD utilisée :</i>	comm.baud
<i>Page Web de l'imprimante :</i>	View and Modify Printer Settings > Serial Communications Setup (Afficher et modifier les paramètres de l'imprimante > Configuration des communications série)

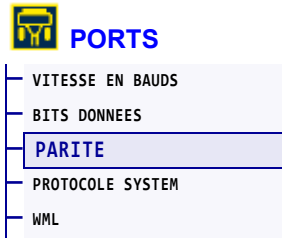
## PORTS > BITS DONNEES



Sélectionnez la valeur de bits de données correspondant à celle utilisée par l'ordinateur hôte.

<i>Valeurs acceptées :</i>	7 ou 8
<i>Commande(s) ZPL connexe(s) :</i>	^SC
<i>Commande SGD utilisée :</i>	comm.data_bits
<i>Page Web de l'imprimante :</i>	View and Modify Printer Settings > Serial Communications Setup (Afficher et modifier les paramètres de l'imprimante > Configuration des communications série)

## PORTS > PARITE

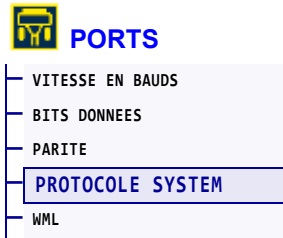


Sélectionnez la valeur de parité correspondant à celle utilisée par l'ordinateur hôte.

<i>Valeurs acceptées :</i>	<ul style="list-style-type: none"><li>• SANS</li><li>• PAIRE</li><li>• IMPAIRE</li></ul>
<i>Commande(s) ZPL connexe(s) :</i>	^SC
<i>Commande SGD utilisée :</i>	comm.parity
<i>Page Web de l'imprimante :</i>	View and Modify Printer Settings > Serial Communications Setup (Afficher et modifier les paramètres de l'imprimante > Configuration des communications série)



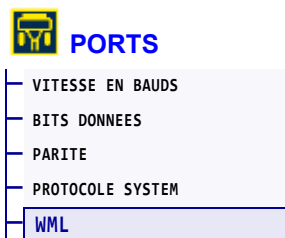
## PORTS > PROTOCOLE SYSTEM



Sélectionnez le protocole correspondant à celui utilisé par l'ordinateur hôte.

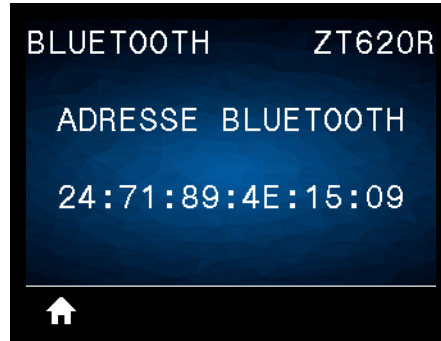
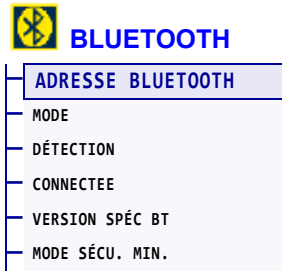
<i>Valeurs acceptées :</i>	<ul style="list-style-type: none"> <li>• XON/XOFF</li> <li>• RTS/CTS</li> <li>• DSR/DTR</li> </ul>
<i>Commande(s) ZPL connexe(s) :</i>	^SC
<i>Commande SGD utilisée :</i>	comm.handshake
<i>Page Web de l'imprimante :</i>	View and Modify Printer Settings > Serial Communications Setup (Afficher et modifier les paramètres de l'imprimante > Configuration des communications série)

## PORTS > WML



Affiche la version WML (Wireless Markup Language). Cette valeur ne peut pas être modifiée.

## BLUETOOTH > ADRESSE BLUETOOTH

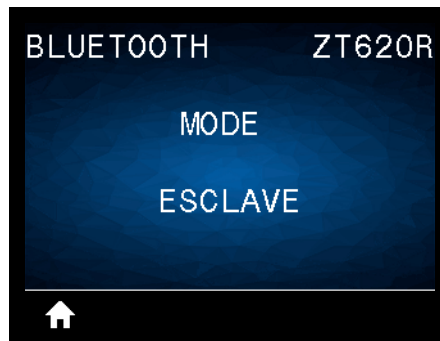
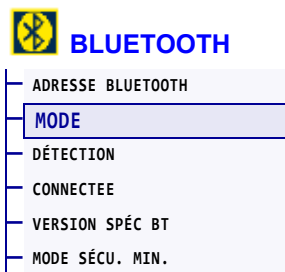


Affiche l'adresse du périphérique Bluetooth de l'imprimante.

Commande SGD utilisée :

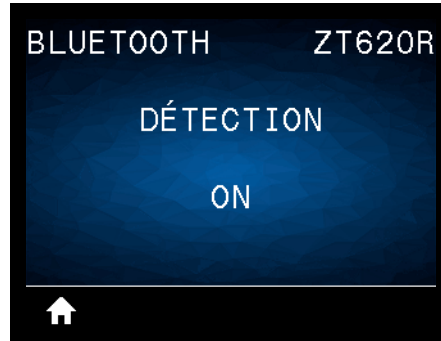
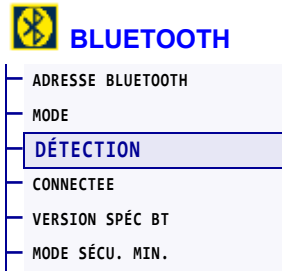
`bluetooth.address`

## BLUETOOTH > MODE



Affiche le type de périphérique à connexion Bluetooth jumelé à l'imprimante : Paramètres principaux/secondaires.

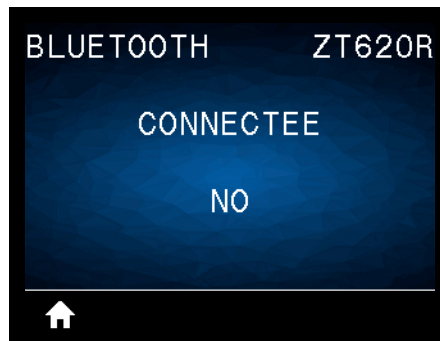
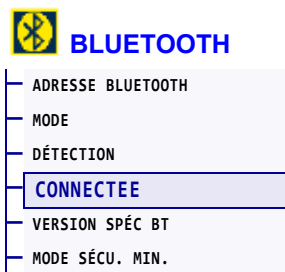
## BLUETOOTH > DÉTECTION



Sélectionnez si l'imprimante peut être détectée par des périphériques Bluetooth.

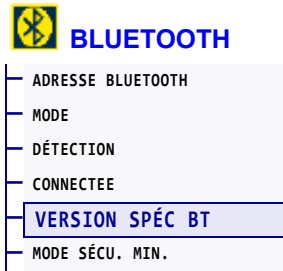
<i>Valeurs acceptées :</i>	<ul style="list-style-type: none"> <li>• <b>OUI</b> : active le mode de détection Bluetooth.</li> <li>• <b>INACTIF</b> : désactive le mode de détection Bluetooth</li> </ul>
<i>Commande SGD utilisée :</i>	<code>bluetooth.discoverable</code>

## BLUETOOTH > CONNECTEE



Affiche l'état de la connexion Bluetooth sur le périphérique jumelé (Oui ou Non).

## BLUETOOTH > VERSION SPÉC BT

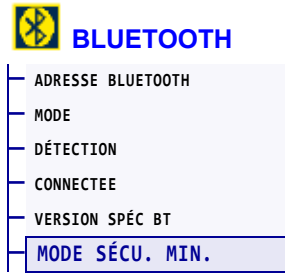


Affiche le niveau des normes de fonctionnement Bluetooth.

Commande SGD utilisée :

`bluetooth.radio_version`

## BLUETOOTH > MODE SÉCU. MIN.



Affiche le niveau minimum Bluetooth de la sécurité appliquée de l'imprimante.



## Calibrage des cellules ruban et papier

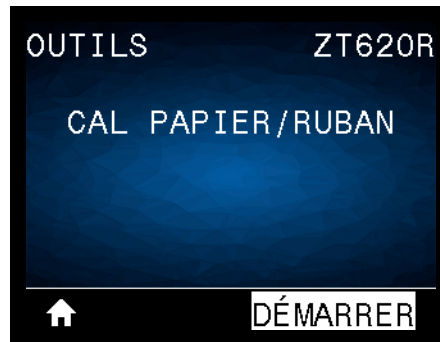
Utilisez la procédure décrite dans cette section pour calibrer l'imprimante, afin d'ajuster la sensibilité des cellules ruban et papier. Pour consulter un récapitulatif des options permettant de lancer le calibrage, voir [CAL PAPIER/RUBAN à la page 127](#).



**Important** • Suivez rigoureusement les instructions de calibrage fournies. Toutes les étapes doivent être effectuées, même si une seule des cellules doit être réglée. Vous pouvez à tout moment appuyer sur CANCEL (Annuler) et maintenir la touche enfoncée pour annuler la procédure.

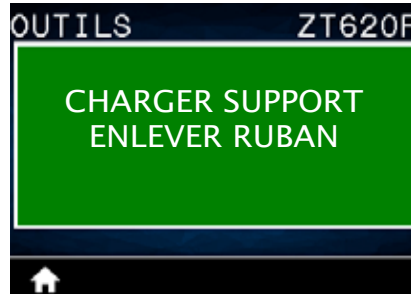
### Pour calibrer les cellules, procédez comme suit :

1. Lorsque l'imprimante est prête, démarrez le calibrage du ruban et du papier de l'une des manières suivantes :
  - Appuyez sur PAUSE + CANCEL (Annuler) et maintenez ces touches enfoncées pendant deux secondes.
  - Envoyez la commande SGD `ezpl.manual_calibration` à l'imprimante. Pour plus d'informations sur cette commande, consultez le *guide de programmation Zebra*.
  - Accédez à l'élément de menu suivant sur l'écran du panneau de commande. Vous le trouverez dans les menus OUTILS et CELLULES. Appuyez sur le bouton de sélection DROIT pour sélectionner DÉMARRER.



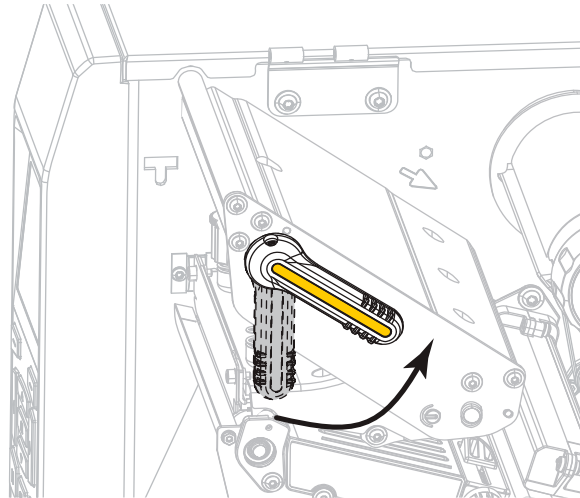
L'imprimante effectue les opérations suivantes :

- Le voyant d'état **STATUS** et le voyant de fournitures **SUPPLIES** clignote une fois en jaune.
- Le voyant **PAUSE** clignote en jaune.
- Le panneau de commande affiche :

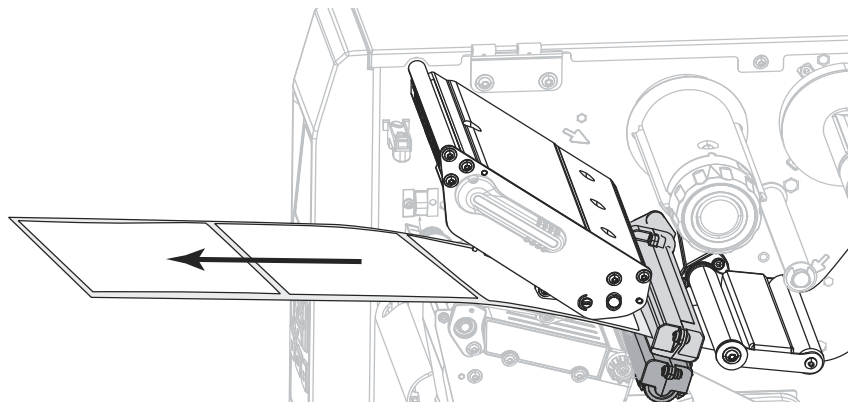


2. **Attention** • La tête d'impression peut être très chaude et risque de provoquer des brûlures graves. Attendez qu'elle refroidisse.

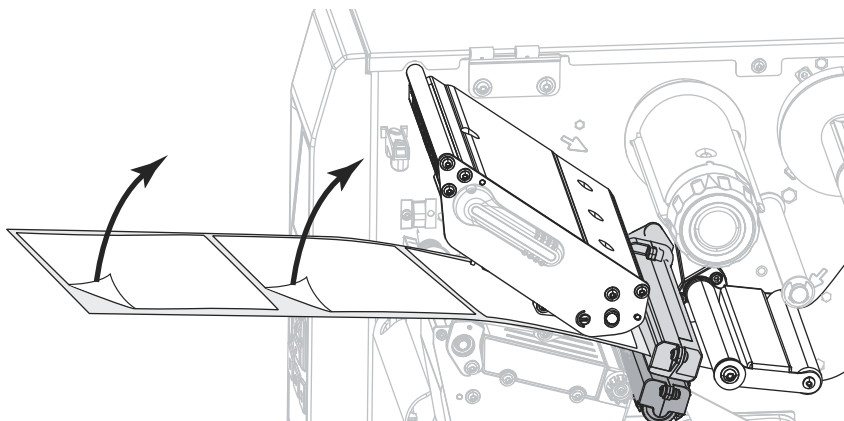
Ouvrez la tête d'impression en faisant tourner le levier d'ouverture de tête vers le haut.



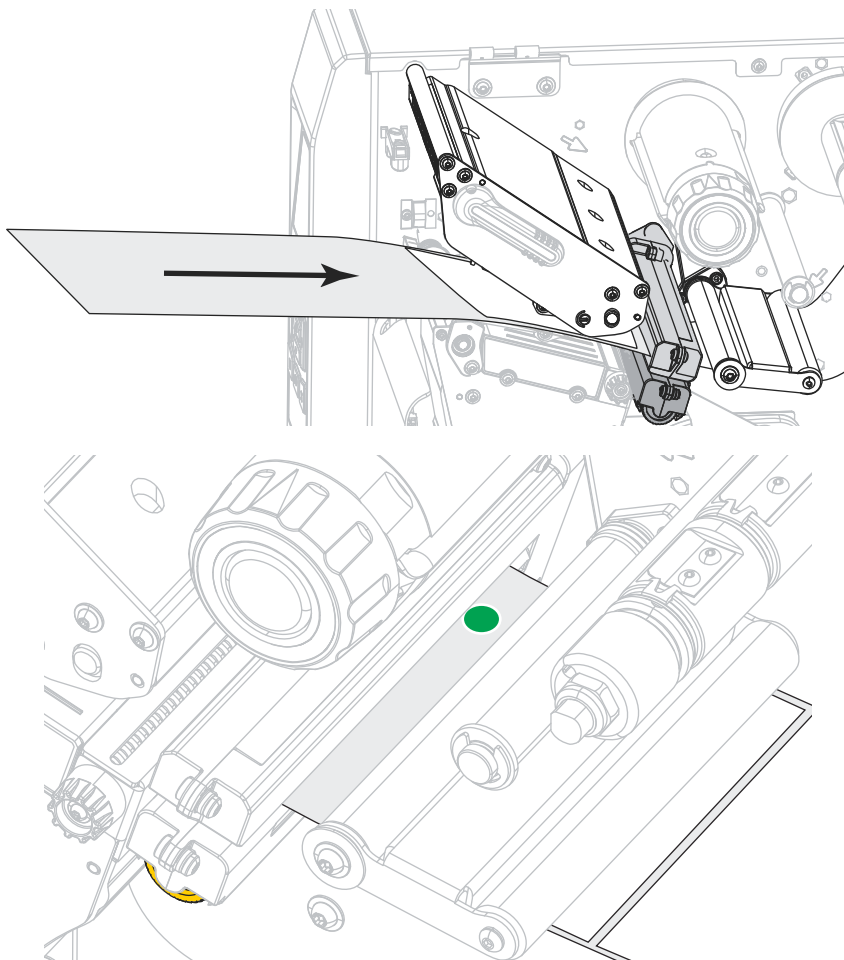
3. Tirez une longueur de papier d'environ 203 mm hors de l'imprimante.



4. Retirez les étiquettes exposées de sorte à ne conserver que le support.

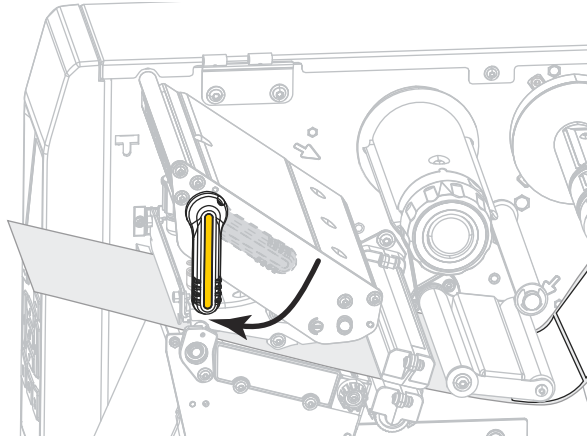


5. Insérez le papier dans l'imprimante afin que seul le support se trouve au-dessus de la lumière verte dans la partie inférieure de la cellule papier.

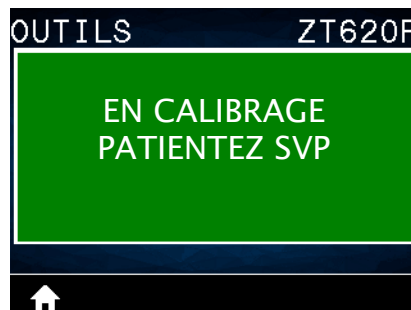


6. Enlevez le ruban, s'il y a lieu.

7. Actionnez le levier d'ouverture de la tête d'impression vers le bas jusqu'à ce que la tête d'impression s'enclenche.



8. Appuyez sur PAUSE pour commencer le calibrage du papier.
  - Le voyant **PAUSE** s'éteint.
  - Le voyant **SUPPLIES** (Fournitures) clignote.
  - Le panneau de commande affiche :

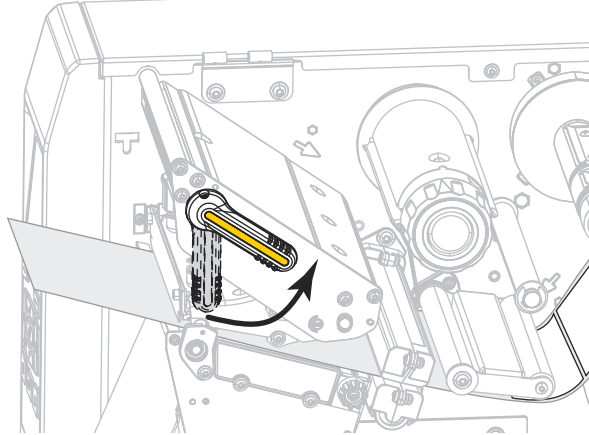


Une fois le processus terminé :

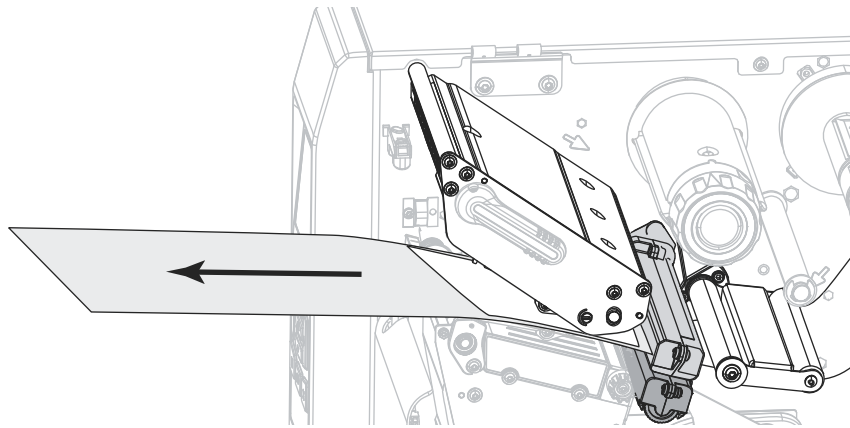
- Le voyant **SUPPLIES** (Fournitures) ne clignote plus.
- Le voyant **PAUSE** clignote en jaune.
- Le panneau de commande affiche :



9. Ouvrez la tête d'impression en faisant tourner le levier d'ouverture de tête vers le haut.

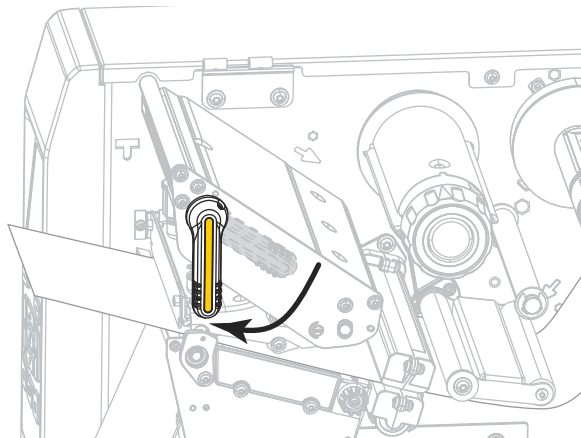


10. Tirez le papier vers l'avant jusqu'à ce qu'une étiquette se trouve sous les cellules papier.

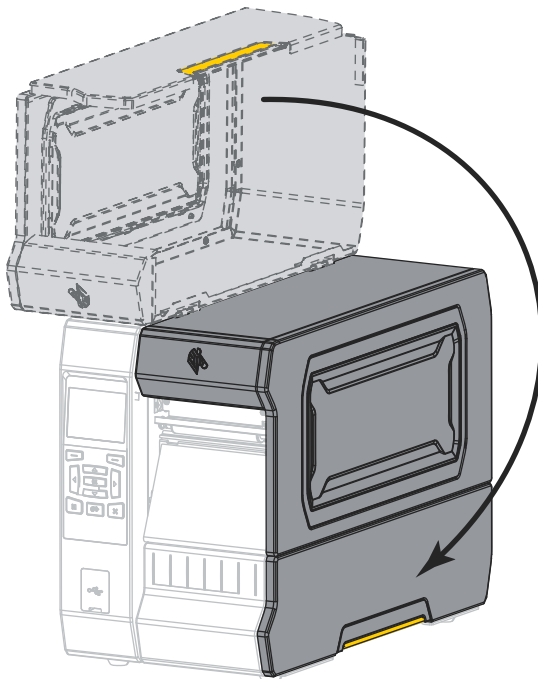


11. Rechargez le ruban, s'il y a lieu.

12. Refermez la tête d'impression.



13. Refermez le panneau d'accès aux supports.



14. Appuyez sur PAUSE pour activer l'impression.

## Réglage de la pression de la tête d'impression et de la position des leviers

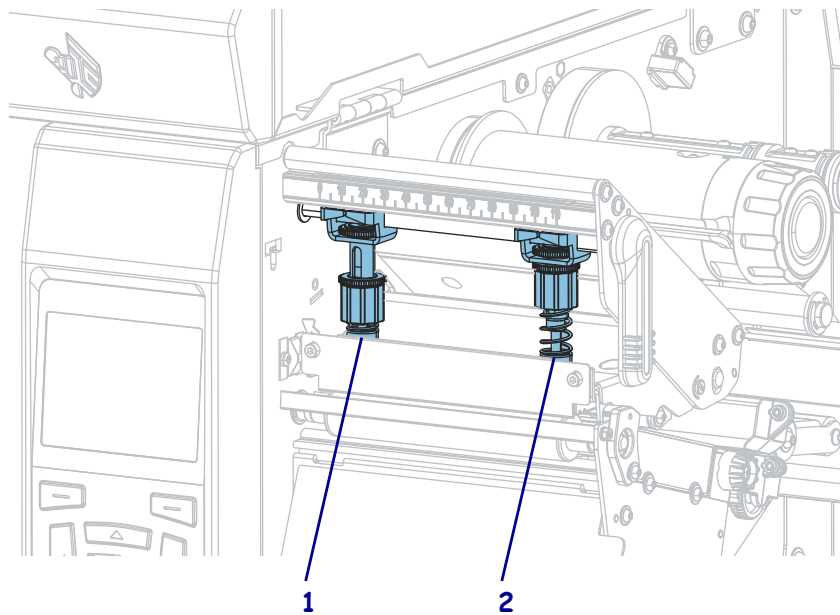
Vous pouvez régler les leviers de pression de la tête d'impression pour augmenter ou réduire la pression, si nécessaire. Vous pouvez aussi les déplacer d'un côté à l'autre pour régler la pression dans certaines parties.

Un mauvais positionnement ou réglage des leviers appliquant une pression incorrecte peut être à l'origine des problèmes suivants :

- glissement du papier ou du ruban
- faux-pli du ruban
- déplacement du papier d'un côté à l'autre pendant l'impression
- impression trop claire ou trop foncée sur un côté du papier

Utilisez la pression la plus basse permettant d'obtenir une bonne qualité d'impression. Des pressions trop élevées pourraient causer une usure prématurée des éléments de la tête impression.

Figure 17 • Leviers de pression de la tête

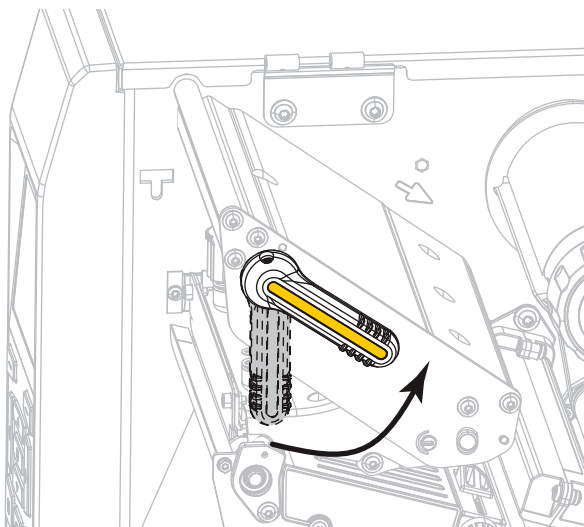


1	Levier intérieur
2	Levier extérieur

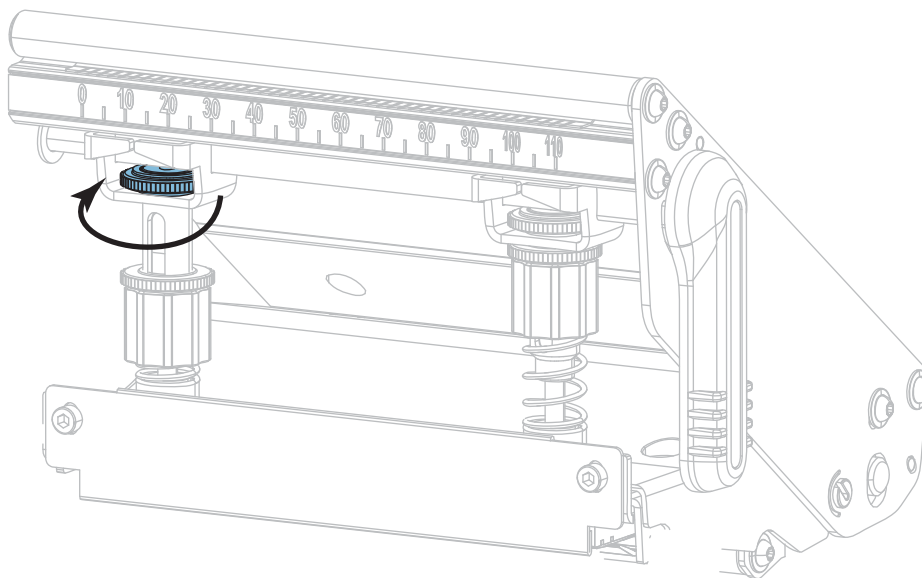
## Réglage de la position des leviers

**Pour régler la position des leviers de la tête d'impression, procédez comme suit :**

1. Ouvrez la tête d'impression en faisant tourner le levier d'ouverture de la tête afin de réduire la pression sur les leviers.

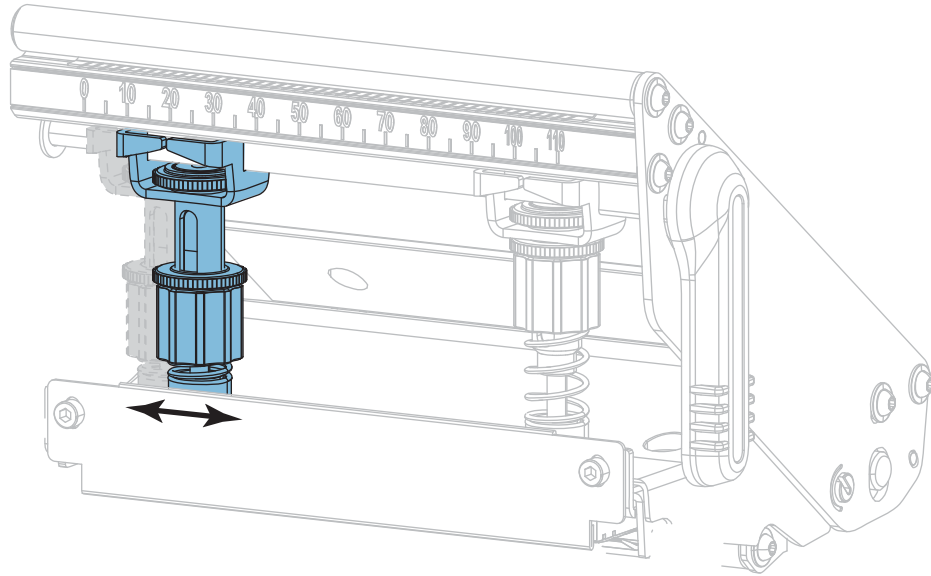


2. Desserrez l'écrou de blocage situé en haut du levier à déplacer.

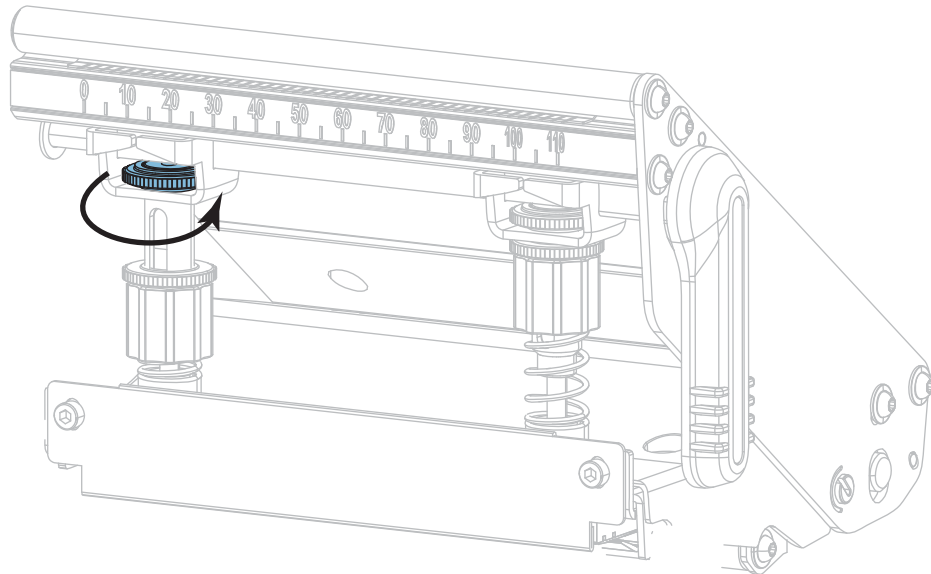




3. Repositionnez le levier de sorte que la pression appliquée sur le papier soit régulière. Si le papier utilisé est très étroit, placez le levier intérieur au centre du papier et diminuez la pression sur le levier extérieur.



4. Resserrez l'écrou de blocage.



## Réglage de la pression de la tête d'impression

Si le repositionnement des leviers ne résout pas votre problème de qualité d'impression ou un autre problème, essayez de régler la pression de la tête d'impression. Prolongez la durée de vie de la tête d'impression en employant la pression la plus faible produisant la qualité d'impression voulue.

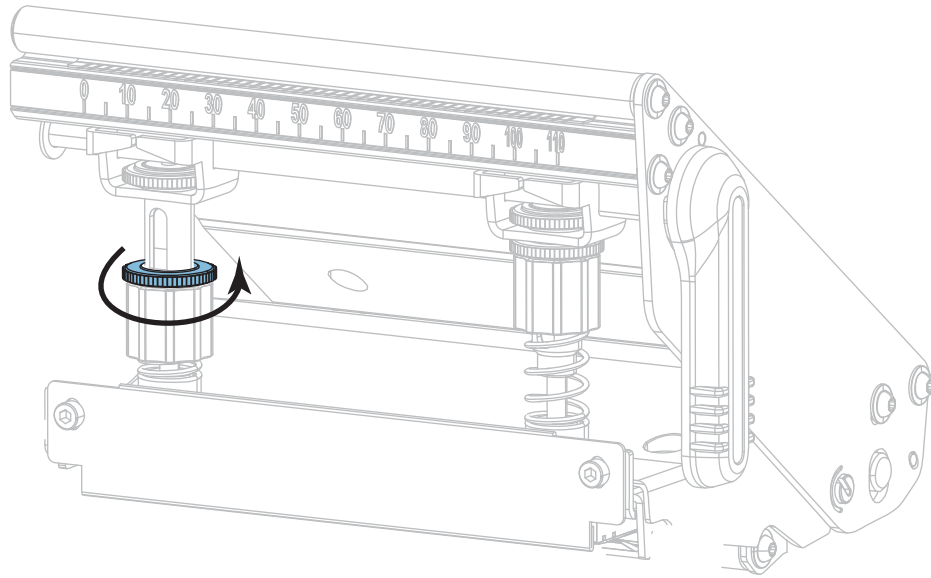
### Pour régler la pression de la tête d'impression, procédez comme suit :

1. Lancez l'option LIGNE D'IMPRESSION de la section *FORMAT TEST IMP* à la page 140.
2. Lors de l'impression des étiquettes, définissez un contraste plus faible à l'aide du panneau de commande ; les étiquettes ne doivent plus s'imprimer en noir, mais en gris. (Reportez-vous à la section *CONTRASTE* à la page 104.)
3. Rencontrez-vous l'un des problèmes suivants ?

Si le papier...	Alors...
Nécessite une pression générale supérieure pour une impression correcte	Augmentez la pression au niveau des deux leviers.
Nécessite une pression générale inférieure pour une impression correcte	Diminuez la pression au niveau des deux leviers.
Est imprimé trop clairement sur le côté gauche de l'étiquette.	Augmentez la pression du levier intérieur.
Est imprimé trop clairement sur le côté droit de l'étiquette.	Augmentez la pression du levier extérieur.
Se décale vers la gauche lors de l'impression	Augmentez la pression du levier extérieur. OU Diminuez la pression du levier intérieur.
Se décale vers la droite lors de l'impression	Augmentez la pression du levier intérieur. OU Diminuez la pression du levier extérieur.

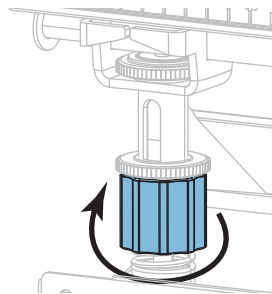
Si vous ne rencontrez aucun de ces problèmes, ne poursuivez pas cette procédure.

4. Pour régler la pression de la tête, desserrez l'écrou moleté du levier à ajuster.

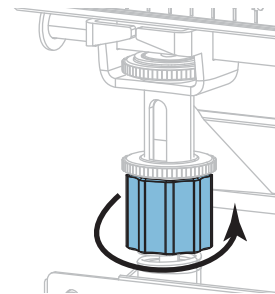


5. Augmentez ou diminuez la pression en faisant tourner l'écrou inférieur.

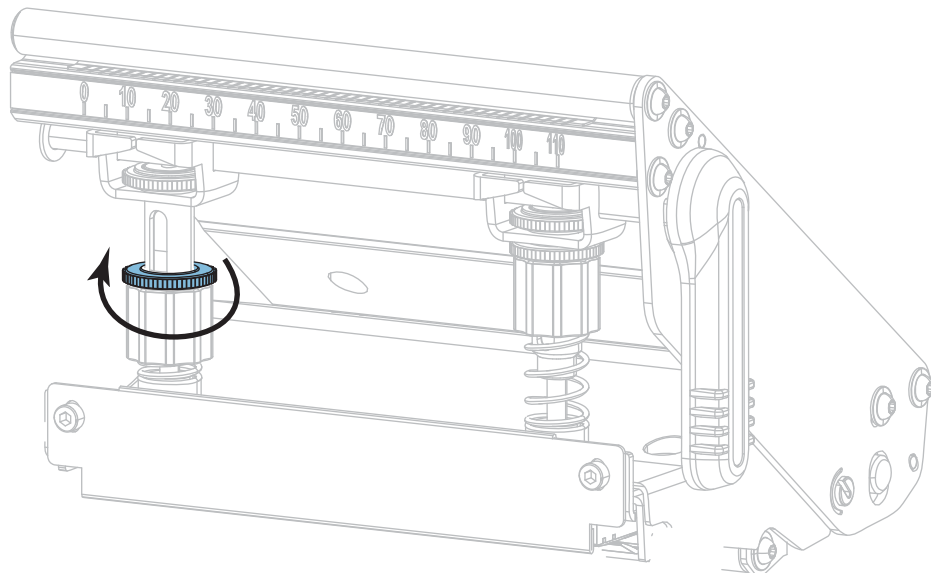
**Augmenter la pression**



**Diminuer la pression**



6. Maintenez l'écrou inférieur en place et serrez l'écrou moleté supérieur.



7. Si nécessaire, relancez l'option LIGNE D'IMPRESSION de la section *FORMAT TEST IMP* à la page 140.
8. Lors de l'impression des étiquettes, définissez un contraste plus élevé à l'aide du panneau de commande ; les étiquettes doivent de nouveau s'imprimer en noir, et non plus en gris. (Reportez-vous à la section *CONTRASTE* à la page 104.)
9. Vérifiez la qualité d'impression, et si nécessaire, répétez cette procédure jusqu'à obtenir une pression de la tête correcte.

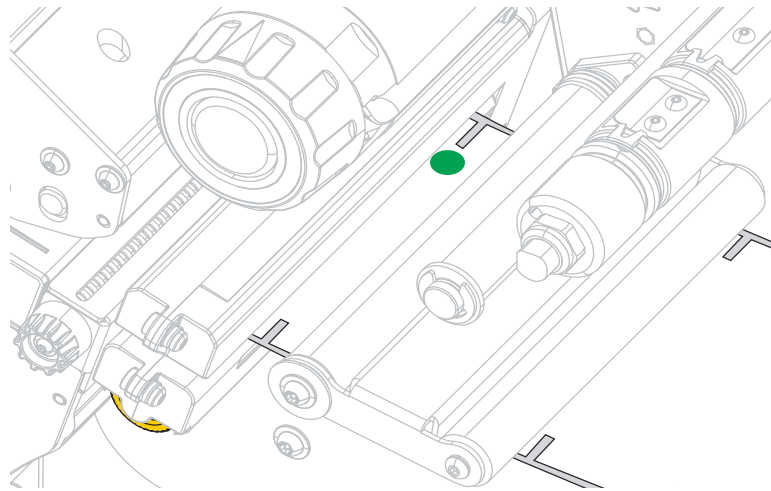
## Réglage de la position de la cellule

L'assemblage de cellules papier à transmission se compose de deux parties : une source lumineuse et un détecteur de lumière. La partie inférieure de la cellule papier est la source lumineuse tandis que la partie supérieure de la cellule papier est le détecteur de lumière. Le papier passe entre ces deux éléments.

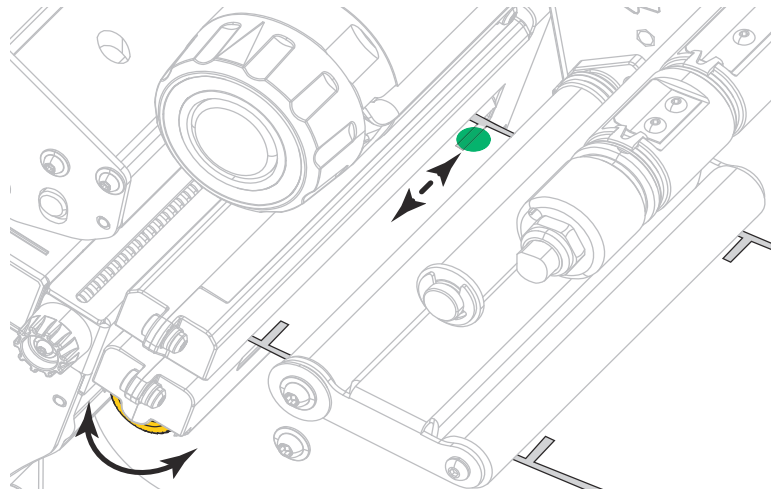
Réglez la position de la cellule uniquement lorsque l'imprimante ne parvient pas à détecter le haut des étiquettes. Dans ce cas, l'écran affiche une erreur de fin de papier même si du papier est chargé dans l'imprimante. Si vous utilisez du papier discontinu avec encoche ou trou, la cellule doit être située juste au niveau de l'encoche ou du trou.

### Pour régler la position de la cellule papier à transmission, procédez comme suit :

1. Retirez le ruban pour bien voir le passage du papier.
2. Le papier étant chargé, repérez la lumière verte émise depuis la partie inférieure de la cellule papier.



3. Si nécessaire, tournez la molette de réglage ou de la cellule à transmission pour déplacer la cellule jusqu'à ce qu'elle se situe sur une encoche ou un trou du papier.

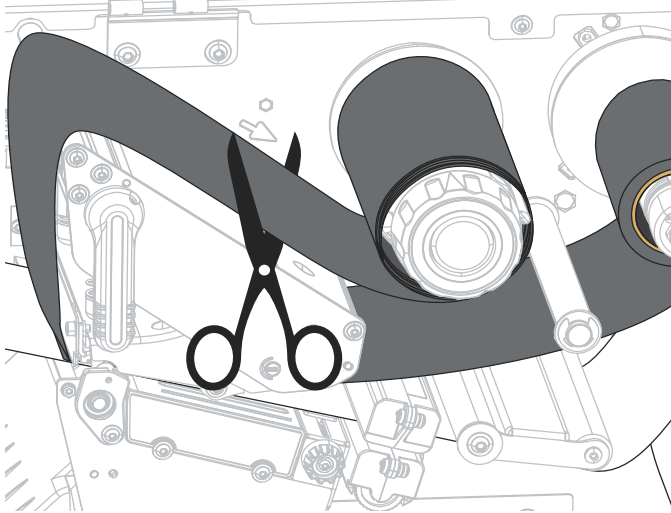


## Retrait d'un ruban usagé

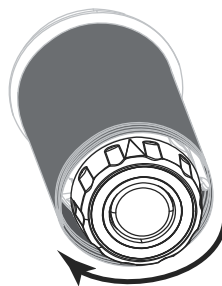
Retirez au moins le ruban usagé du mandrin récupérateur lors de chaque remplacement du rouleau de ruban. Si le ruban mesure moins de la moitié de la largeur de la tête d'impression, retirez le ruban usagé à chaque fois que vous chargez un nouveau rouleau de papier. De la sorte, la pression inégale sur le mandrin récupérateur du ruban n'entrave pas les barres de déblocage du ruban.

**Pour retirer un ruban usagé, procédez comme suit :**

1. Le ruban est-il terminé ?

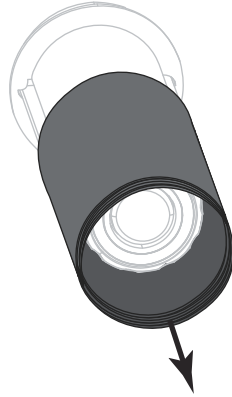
Si le ruban...	Alors...
est terminé	Passez à l'étape suivante.
n'est pas terminé	Coupez ou cassez le ruban avant le mandrin récupérateur.  <b>Attention</b> • Ne coupez pas le ruban directement sur le mandrin récupérateur, car vous risqueriez d'endommager ce dernier.

2. Tout en tenant le mandrin récupérateur, tournez au maximum le bouton de déblocage du ruban.



Les barres de déblocage du ruban pivotent vers le bas, libérant le ruban usagé du mandrin.

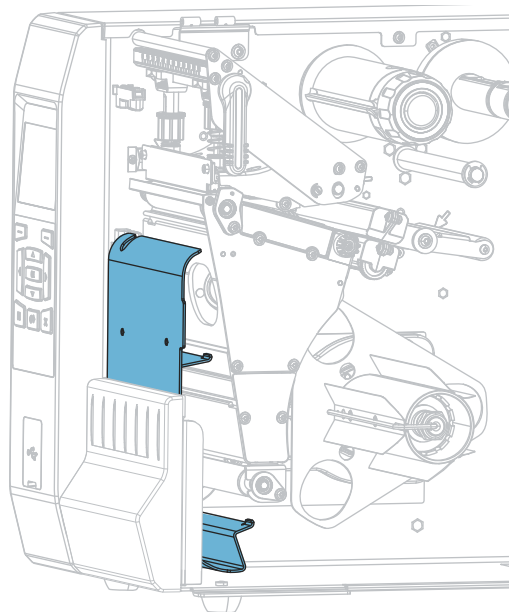
3. Une fois que les barres de déblocage du ruban sont pivotées vers le bas, faites si possible tourner le mandrin récupérateur d'un tour complet vers la droite pour desserrer le ruban.
4. Faites ensuite glisser le ruban usagé hors du mandrin et détruisez-le.



## Installation du réenrouleur/récupérateur de support

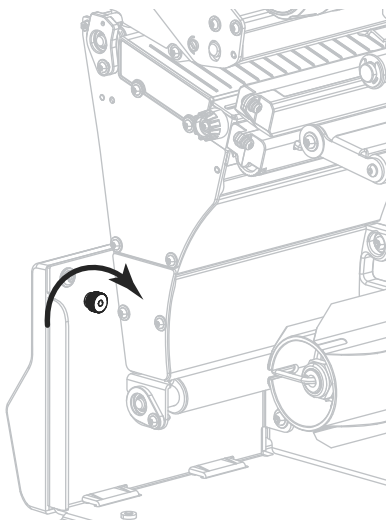
Le réenrouleur/récupérateur de support est utilisé dans différentes positions en mode Réenrouleur par rapport au mode Prédécollage ou Applicateur.

### Mode Prédécollage/mode Applicateur



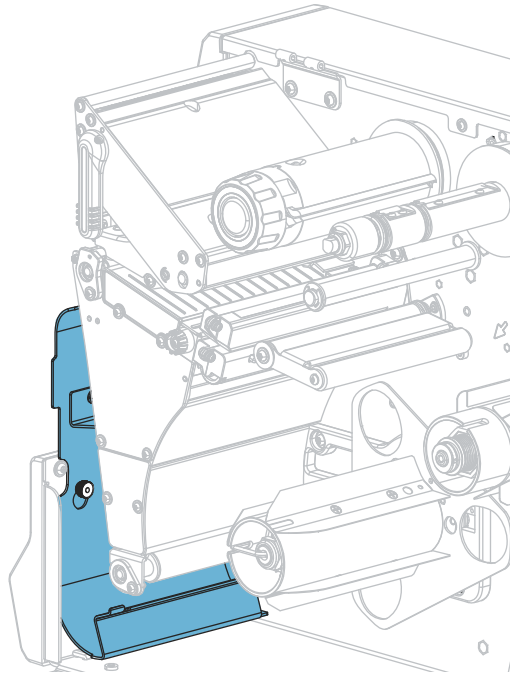
**Pour installer le réenrouleur/récupérateur de support en mode Prédécollage ou Applicateur :**

1. Desserrez l'écrou moleté (1) sur le goujon extérieur de la base de l'imprimante.

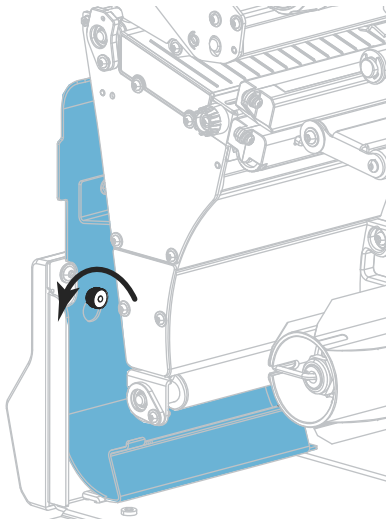




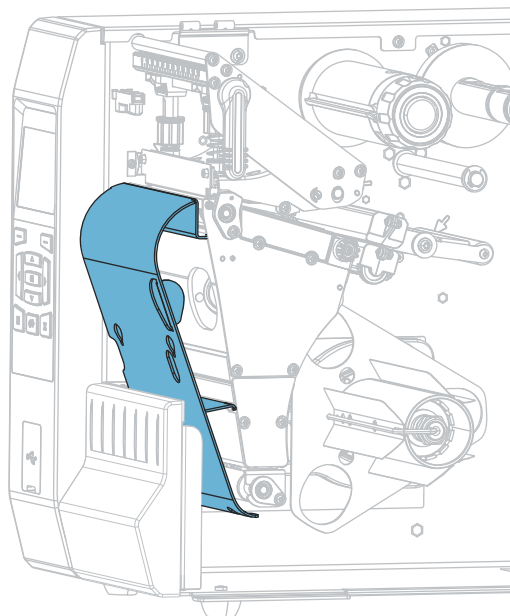
2. Aligned le grand orifice du trou de serrure dans le réenrouleur/plateau de prédécollage au-dessus de l'écrou moleté, puis faites glisser le plateau vers le bas jusqu'à ce qu'il touche les goujons.



3. Resserrez l'écrou moleté.

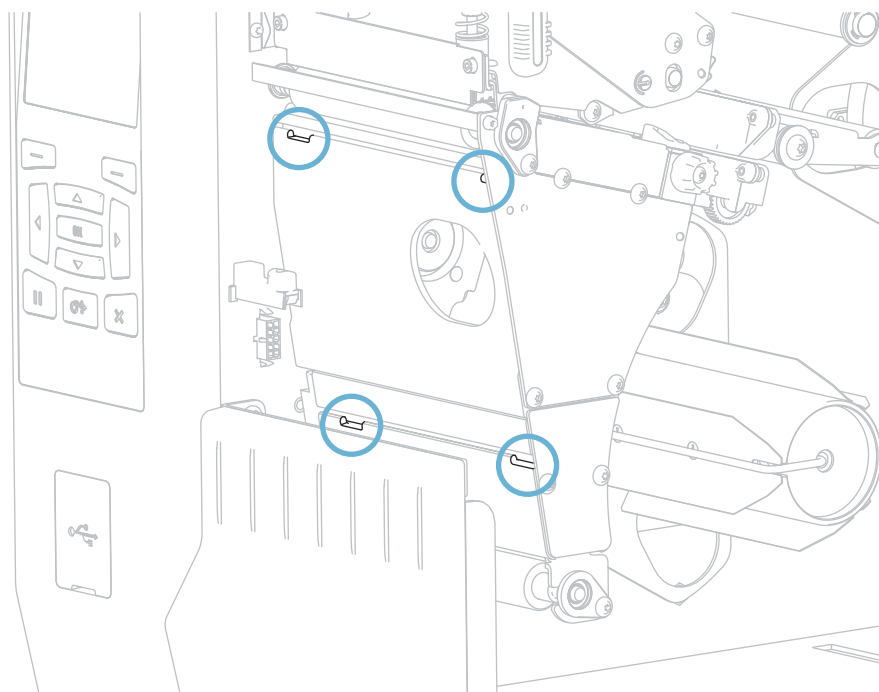


## Mode Réenrouleur

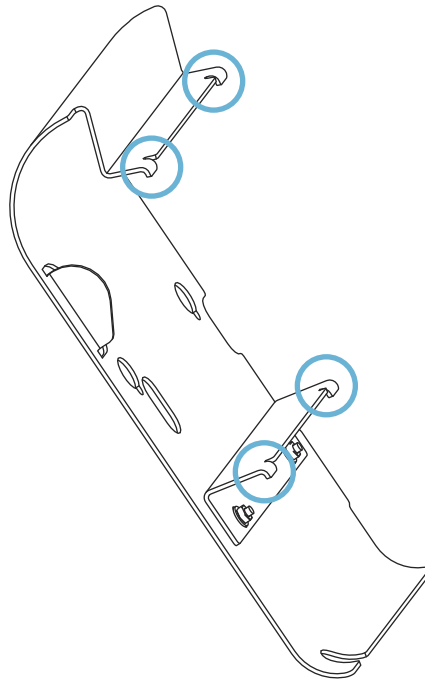


**Pour installer le réenrouleur/récupérateur de support en mode Réenrouleur :**

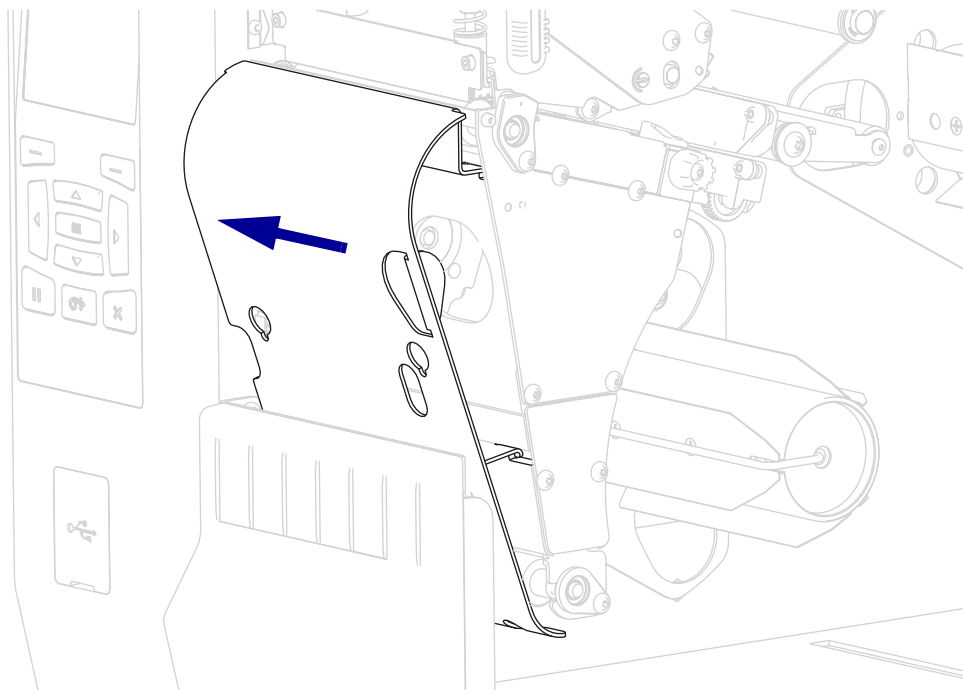
1. Repérez les quatre fentes de montage du réenrouleur/récupérateur de support.



2. Repérez les quatre loquets de montage du réenrouleur/récupérateur de support.



3. Insérez les loquets du réenrouleur dans les fentes de l'imprimante, puis faites glisser le réenrouleur au maximum vers la gauche.





Remarques • \_\_\_\_\_

\_\_\_\_\_

\_\_\_\_\_

\_\_\_\_\_

\_\_\_\_\_

\_\_\_\_\_

\_\_\_\_\_

\_\_\_\_\_

\_\_\_\_\_

\_\_\_\_\_

# Maintenance de routine

Cette section décrit les procédures de maintenance et de nettoyage de routine.

## Sommaire

Programme et procédures de nettoyage . . . . .	214
Nettoyage de l'extérieur, du compartiment papier et des cellules . . . . .	215
Nettoyage de la tête d'impression et du contre-rouleau . . . . .	216
Nettoyage du module de coupe . . . . .	220
Remplacement des composants de l'imprimante . . . . .	228
Commande de pièces de rechange . . . . .	228
Recyclage des composants de l'Imprimante . . . . .	228
Lubrification . . . . .	228

## Programme et procédures de nettoyage

La maintenance préventive de routine est essentielle au bon fonctionnement de l'imprimante. En prenant bien soin de votre imprimante, vous pouvez minimiser les problèmes potentiels que vous pourriez rencontrer et atteindre la qualité d'impression souhaitée sur le long terme.

Au fil du temps, le mouvement du papier ou du ruban sur la tête d'impression use le revêtement de protection en céramique, exposant et entraînant ainsi la dégradation des éléments d'impression (points). Pour prévenir les risques d'abrasion :

- Nettoyez régulièrement la tête d'impression.
- Réduisez la pression de la tête et les paramètres de température de fusion (contraste) en optimisant l'équilibre entre les deux.
- En mode de transfert thermique, vérifiez que le ruban est au moins aussi large que le support afin d'éviter toute exposition des éléments de la tête à des étiquettes plus abrasives.



**Important** • Zebra n'est pas responsable des dégâts résultant de l'utilisation de produits nettoyants sur cette imprimante.

Les pages suivantes fournissent des procédures de nettoyage spécifiques. Le [Tableau 5](#) comprend le programme de nettoyage recommandé. Ces intervalles sont donnés à titre indicatif. Il se peut qu'un nettoyage plus fréquent soit nécessaire, selon l'application et le papier.

**Tableau 5 • Programme de nettoyage recommandé**

Zone		Méthode	Intervalle
Pièces de la tête		Solvant*	<b>Mode thermique direct</b> : après chaque rouleau de papier (ou 150 m/500 pieds de papier à pliage paravent). <b>Mode de transfert thermique</b> : Après chaque rouleau de ruban.
Contre-rouleau		Solvant*	
Cellules papier		Soufflage d'air	
Cellule ruban		Soufflage d'air	
Passage de papier		Solvant*	
Passage de ruban		Solvant*	
Rouleau entraîneur (fait partie de l'option prédécollage)		Solvant*	
Module de coupe	En cas de découpe d'un support continu sensible à la pression	Solvant*	Après chaque rouleau de papier (ou plus souvent, suivant l'application et le papier).
	En cas de découpe de carton pour étiquettes ou de support d'étiquette	Solvant* et soufflage d'air	Tous les deux ou trois rouleaux de papier.
Barre de déchirement/prédécollage		Solvant*	Une fois par mois.
Cellule de prise d'étiquette		Soufflage d'air	Une fois tous les six mois.

\* Zebra recommande l'utilisation du kit de maintenance préventive (réf. 47362 ou réf. 105950-035 - multipack). À la place de ce kit, vous pouvez utiliser un coton-tige propre trempé dans de l'alcool isopropylique à 99,7 %.

Pour les imprimantes à 600 ppp, utilisez la pellicule de nettoyage Save-a-Printhead de Zebra. Ce produit à revêtement spécial élimine les impuretés accumulées sans endommager la tête d'impression. Pour en savoir plus, contactez votre revendeur ou distributeur agréé Zebra.

## Nettoyage de l'extérieur, du compartiment papier et des cellules

Au fil du temps, de la poussière, de la saleté et d'autres impuretés peuvent s'accumuler à l'extérieur et à l'intérieur de votre imprimante, en particulier dans les environnements difficiles.

### Extérieur de l'imprimante

Vous pouvez nettoyer l'extérieur de l'imprimante avec un chiffon non pelucheux et une petite quantité de détergent doux si cela s'avère nécessaire. Ne vous servez pas de produits nettoyants ni de solvants agressifs ou abrasifs.

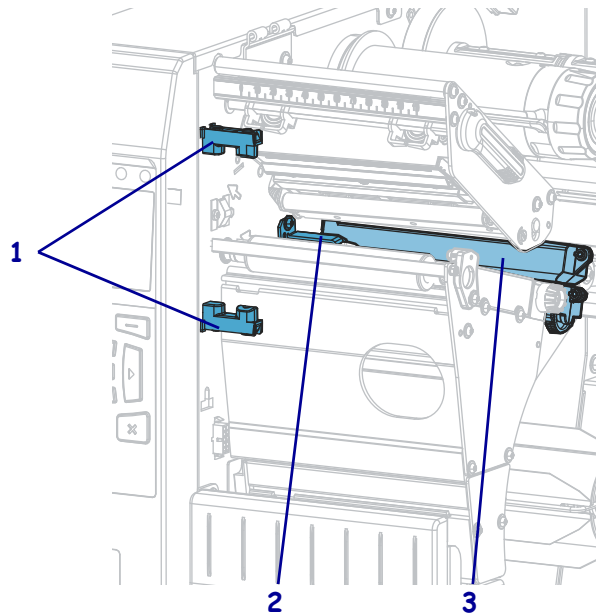


**Important** • Zebra n'est pas responsable des dégâts résultant de l'utilisation de produits nettoyants sur cette imprimante.

### Compartiment papier et cellules

**Pour nettoyer les cellules, procédez comme suit :**

1. Enlevez la poussière accumulée dans les passages du papier et du ruban à l'aide d'une brosse, d'une soufflette ou d'un aspirateur.
2. Enlevez la poussière accumulée dans les cellules à l'aide d'une brosse, d'une soufflette ou d'un aspirateur.



<b>1</b>	Cellule de prise d'étiquette
<b>2</b>	Cellule ruban
<b>3</b>	Cellule papier

## Nettoyage de la tête d'impression et du contre-rouleau

Une tête d'impression sale peut entraîner une qualité d'impression irrégulière, par exemple la présence de vides dans les codes à barres ou dans les graphiques. Pour connaître le programme de nettoyage recommandé, voir [Tableau 5 à la page 214](#).

---

**Attention** • Lorsque vous travaillez à proximité d'une tête d'impression ouverte, retirez les bagues, montres, colliers, badges d'identification ou autres objets métalliques susceptibles d'entrer en contact avec la tête d'impression. Bien que cela ne soit pas obligatoire, Zebra conseille de mettre l'imprimante hors tension lorsque vous travaillez à proximité d'une tête d'impression ouverte, par mesure de précaution. Si vous mettez l'imprimante hors tension, vous perdrez tous les réglages temporaires, tels que les formats d'étiquettes, et vous devrez les recharger avant de reprendre l'impression.

---



---

**Attention** • La tête d'impression peut être très chaude et risque de provoquer des brûlures graves. Attendez qu'elle refroidisse.

---



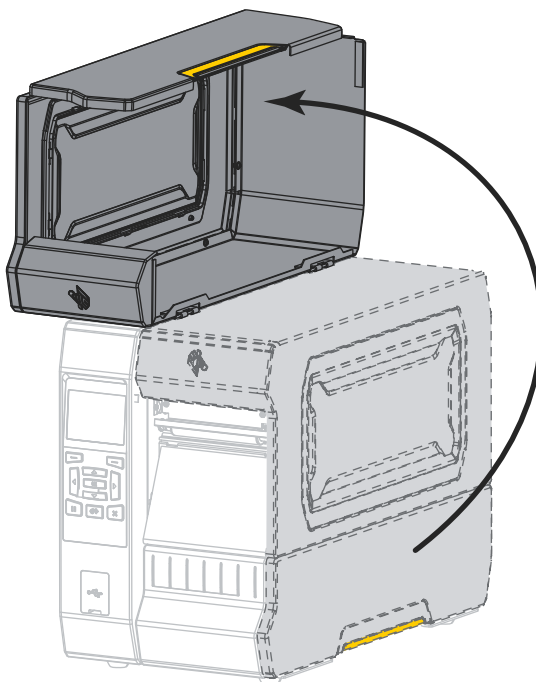
---

**Attention** • Avant de toucher la tête d'impression, faites disparaître la charge électrique éventuellement accumulée en touchant le cadre métallique de l'imprimante ou en utilisant un bracelet et un tapis antistatiques.

---

### Pour nettoyer la tête d'impression et le contre-rouleau, procédez comme suit :

1. Soulevez le panneau d'accès aux supports.

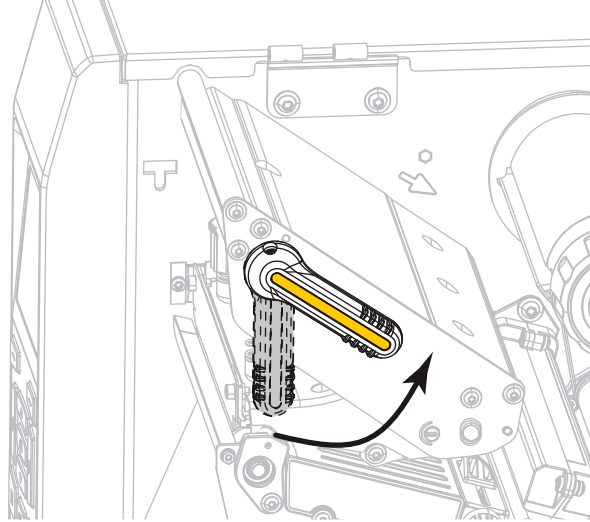




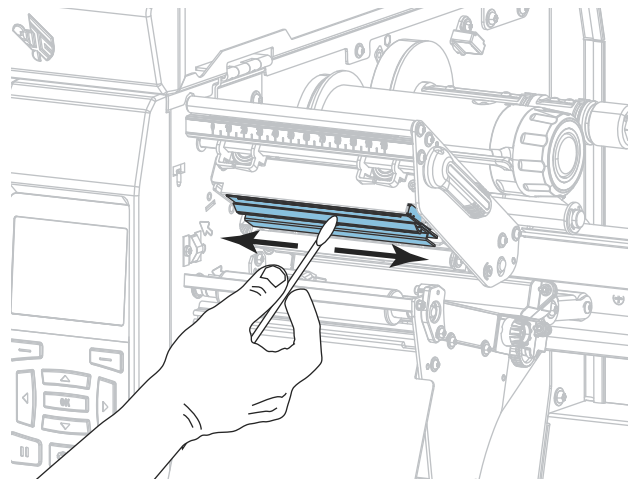


2. **Attention** • La tête d'impression peut être très chaude et risque de provoquer des brûlures graves. Attendez qu'elle refroidisse.

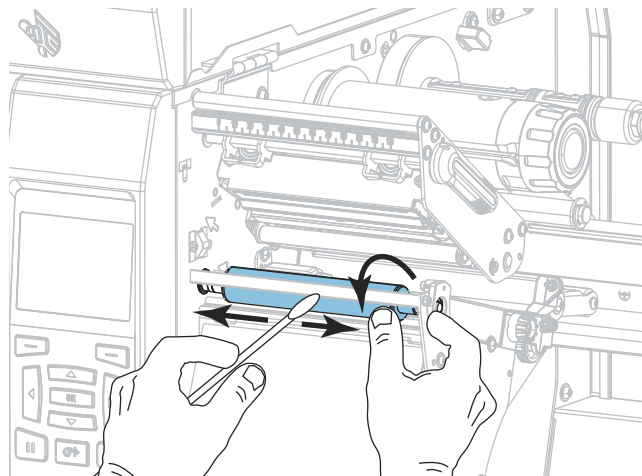
Ouvrez la tête d'impression en faisant tourner le levier d'ouverture de tête vers le haut.



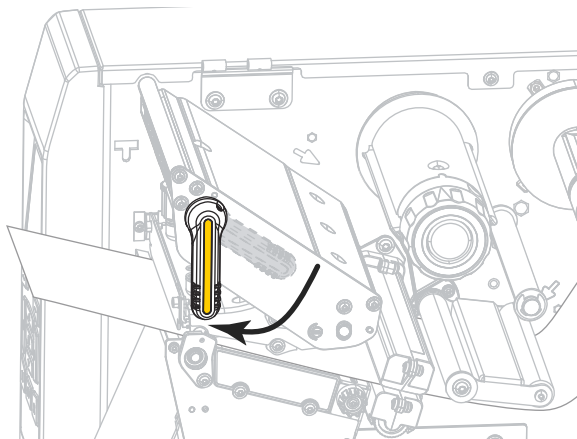
3. Retirez le ruban (s'il y a lieu) et le support.
4. A l'aide du tampon fourni dans le kit de maintenance préventive Zebra, essuyez la bande marron de la tête d'impression d'un bout à l'autre. À la place de ce kit, vous pouvez utiliser un coton-tige propre trempé dans de l'alcool isopropylique à 99,7 %. Attendez quelques instants que le solvant s'évapore.



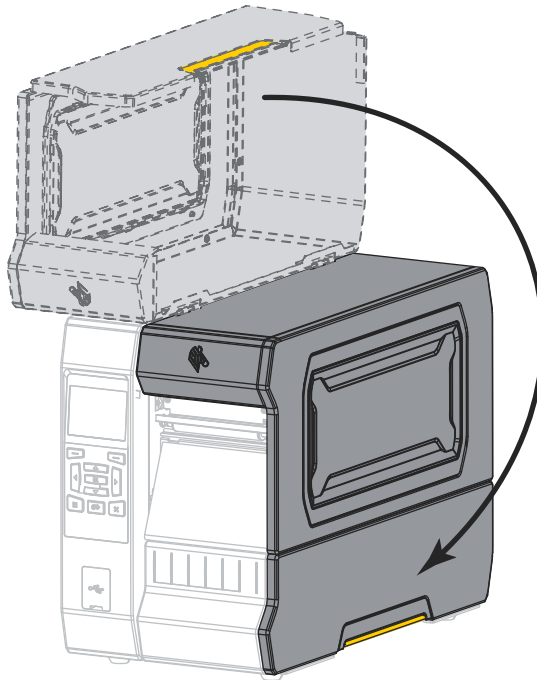
5. Nettoyez le contre-rouleau de façon méticuleuse à l'aide du coton-tige tout en le faisant pivoter manuellement. Attendez quelques instants que le solvant s'évapore.



6. Rechargez le ruban (s'il y a lieu) et le support. Pour obtenir des instructions, voir [Chargement du ruban à la page 58](#) ou [Chargement du papier à la page 32](#).
7. Actionnez le levier d'ouverture de la tête d'impression vers le bas jusqu'à ce que la tête d'impression s'enclenche.



8. Refermez le panneau d'accès aux supports.



L'imprimante est prête à être utilisée.

9. Appuyez sur **PAUSE** pour quitter le mode Pause et activer l'impression.

L'imprimante peut calibrer ou faire avancer une étiquette, en fonction des paramètres que vous avez définis.



**Remarque** • Si la qualité d'impression ne s'améliore pas à l'issue de cette procédure, essayez de nettoyer la tête d'impression avec une pellicule de nettoyage *Save-A-Printhead*. Ce produit à revêtement spécial élimine les impuretés accumulées sans endommager la tête d'impression. Adressez-vous à votre revendeur Zebra agréé pour plus d'informations.

## Nettoyage du module de coupe

Si le trancheur ne découpe pas proprement les étiquettes ou s'il provoque des bourrages, nettoyez les lames.



---

**Attention** • Pour votre sécurité, mettez l'imprimante hors tension et débranchez-la avant d'exécuter cette procédure.

---

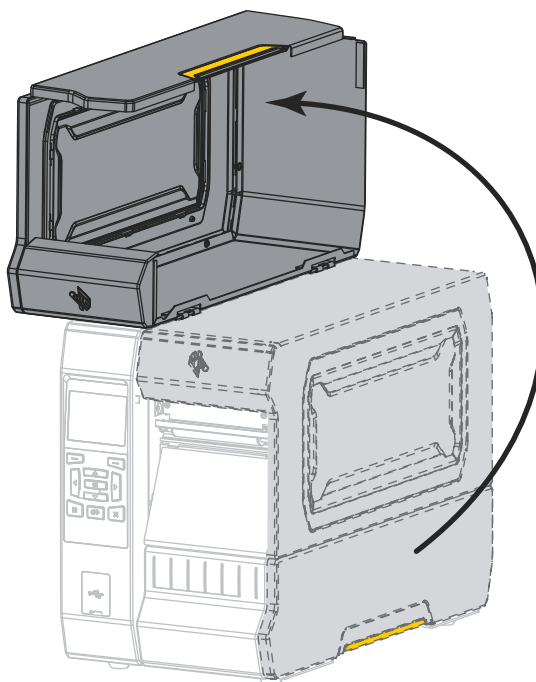
### Pour nettoyer le module de coupe, procédez comme suit :



1. **Attention** • Veillez à mettre l'imprimante hors tension(O) et à débrancher le cordon d'alimentation au préalable.
- 

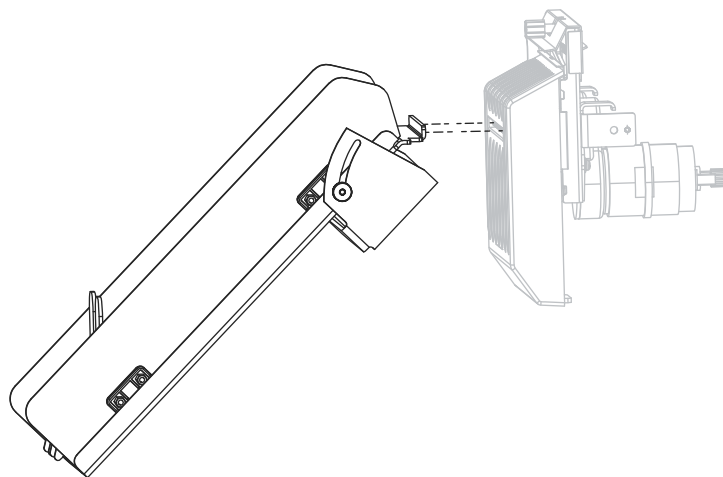
Mettez l'imprimante hors tension (O) et débranchez le cordon d'alimentation.

2. Soulevez le panneau d'accès aux supports.

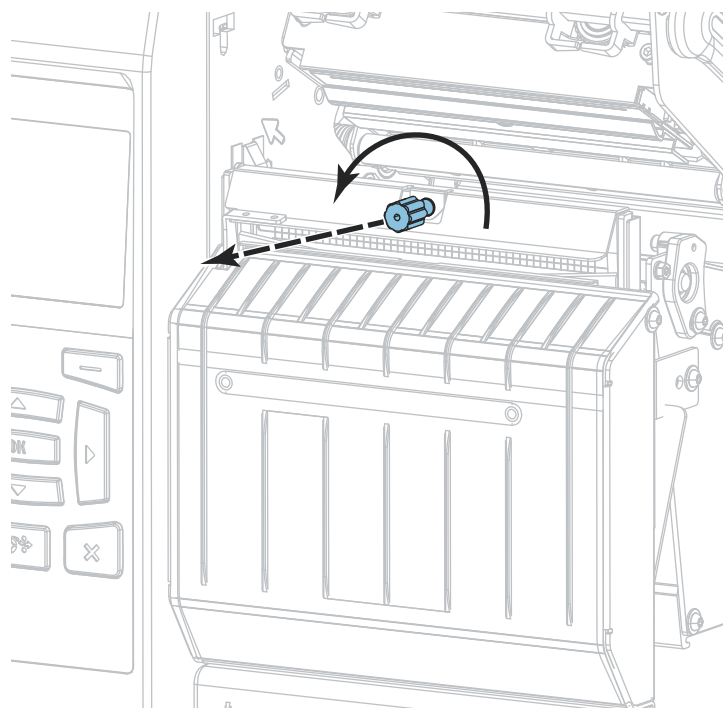


3. Enlevez le papier du module de coupe.

4. Enlevez le bac de récupération du module de coupe (le cas échéant).



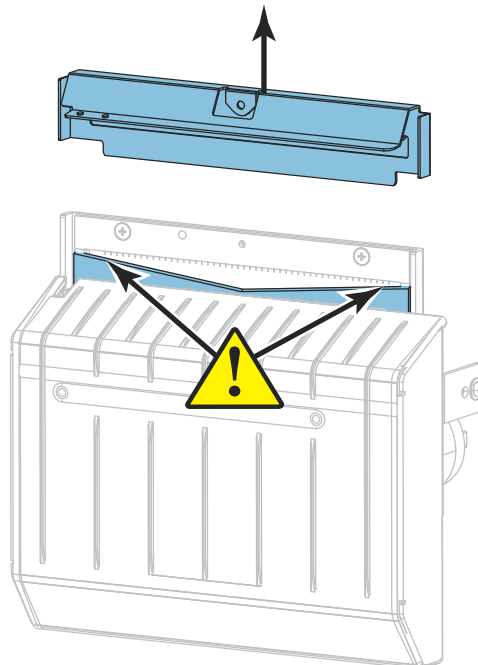
5. Desserrez et retirez la vis et la rondelle de blocage du volet de protection du module de coupe.





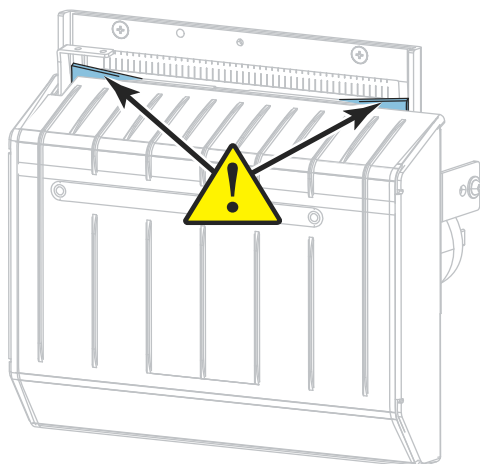
6. **Attention** • La lame est tranchante. Vous ne devez pas toucher ni frotter la lame avec vos doigts.

Retirez le volet de protection du module de coupe.

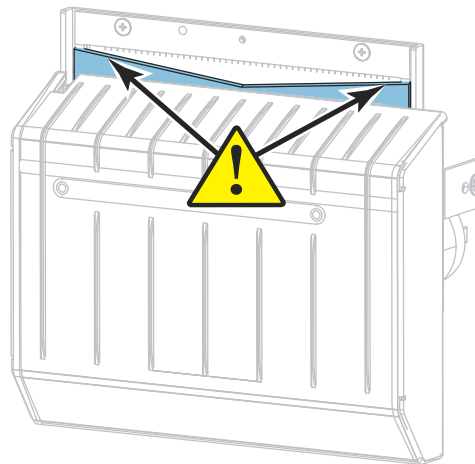


7. La lame du module de coupe est-elle entièrement apparente ?

**Lame en position abaissée**



**Lame entièrement apparente**

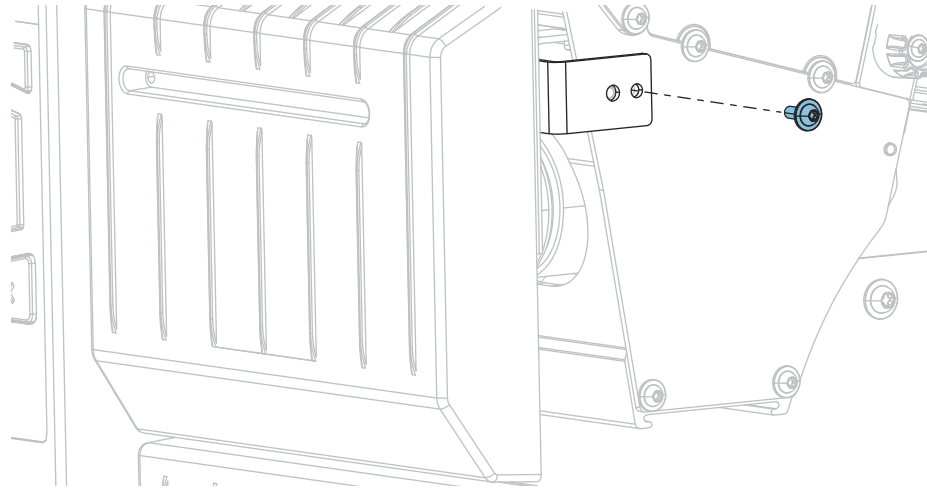


Si la lame est...	Alors...
Abaisée	Passez à l'étape 8 pour enlever le module de coupe de l'imprimante afin de remonter la lame.
Entièrement apparente	Passez à la section étape 9 à la page 225.

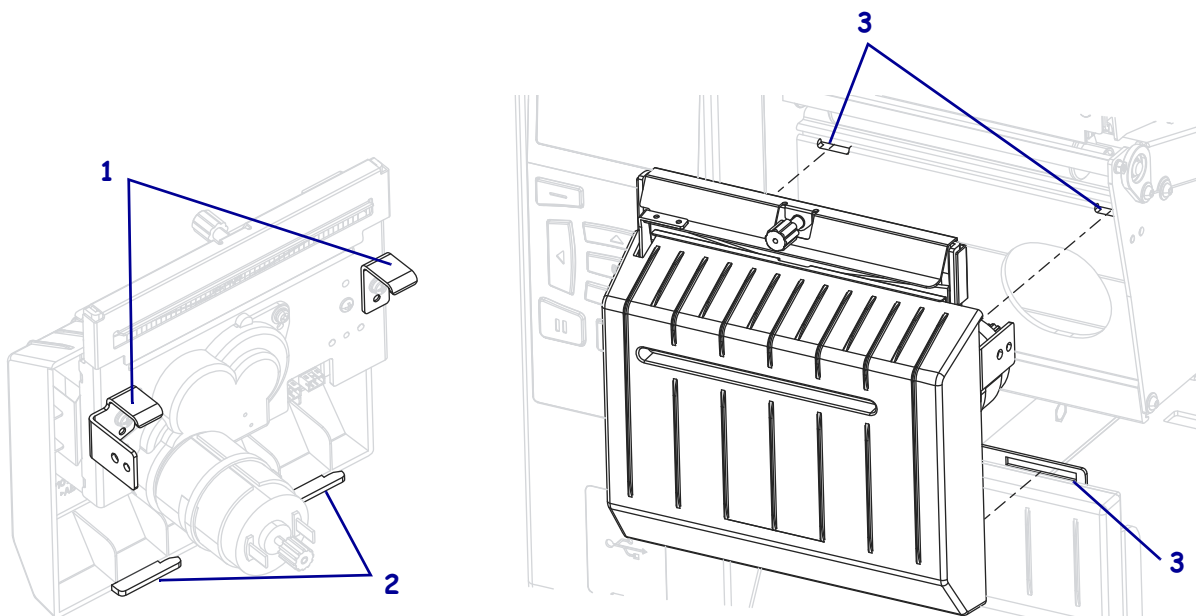


8. **Important** • Cette partie de la procédure doit être effectuée exclusivement par des utilisateurs expérimentés et uniquement lorsque la lame n'est pas entièrement apparente en vue d'un nettoyage, comme indiqué lors de l'étape précédente.

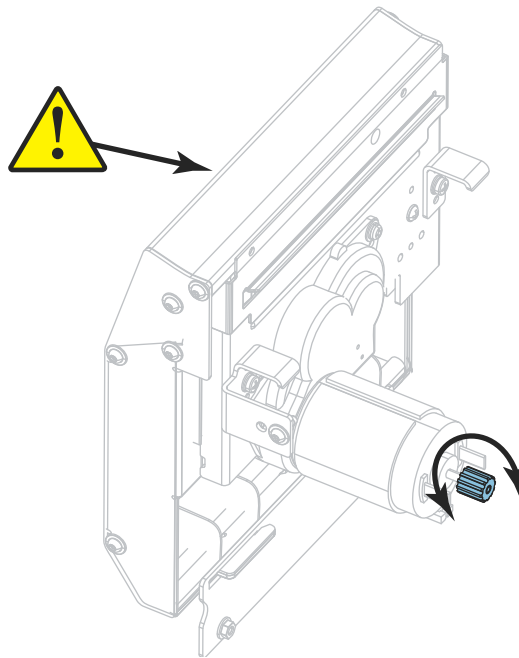
8-a. Retirez la vis de fixation du module de coupe.



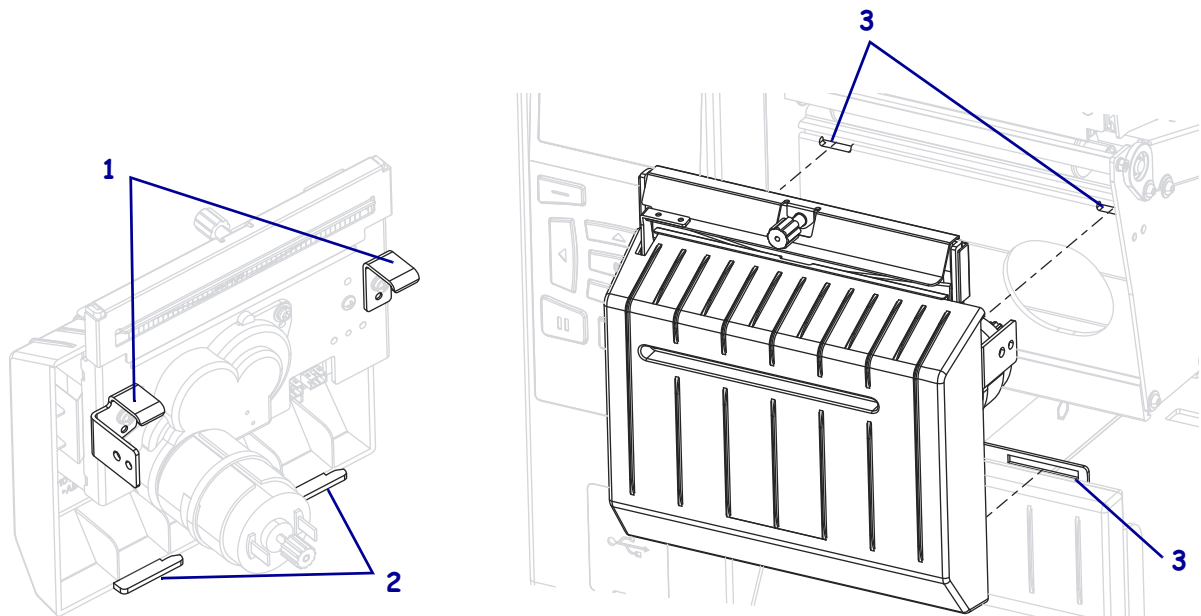
- 8-b. Faites glisser le module vers la droite de sorte à aligner ses loquets (1) et ceux du capot (2) avec les fentes correspondantes (3) dans l'imprimante, puis soulevez le module de coupe hors de l'imprimante. Veillez à ne pas endommager les câbles qui relient le module de coupe à l'imprimante. Si vous le souhaitez, vous pouvez les débrancher.



- 8-c.** À l'arrière du module de coupe, tournez la vis du moteur du module de coupe afin d'exposer entièrement la lame.

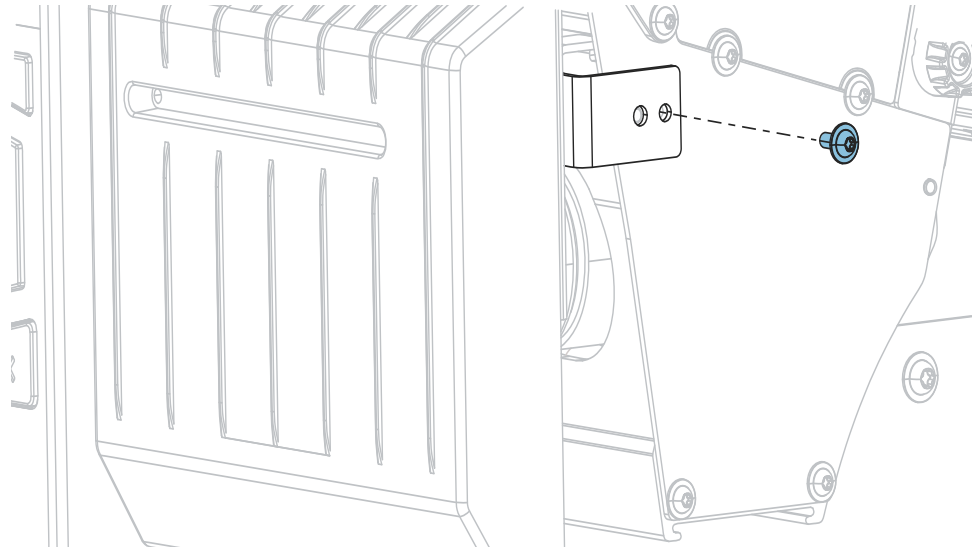


- 8-d.** Si vous avez débranché les câbles reliant le module à l'imprimante, rebranchez-les.
- 8-e.** Alignez les loquets du module de coupe (1) et ceux du capot (2) avec les fentes correspondantes (3) dans l'imprimante, puis replacez le module de coupe dans l'imprimante en le faisant glisser. Veillez à ne pas endommager les câbles qui relient le module de coupe à l'imprimante.



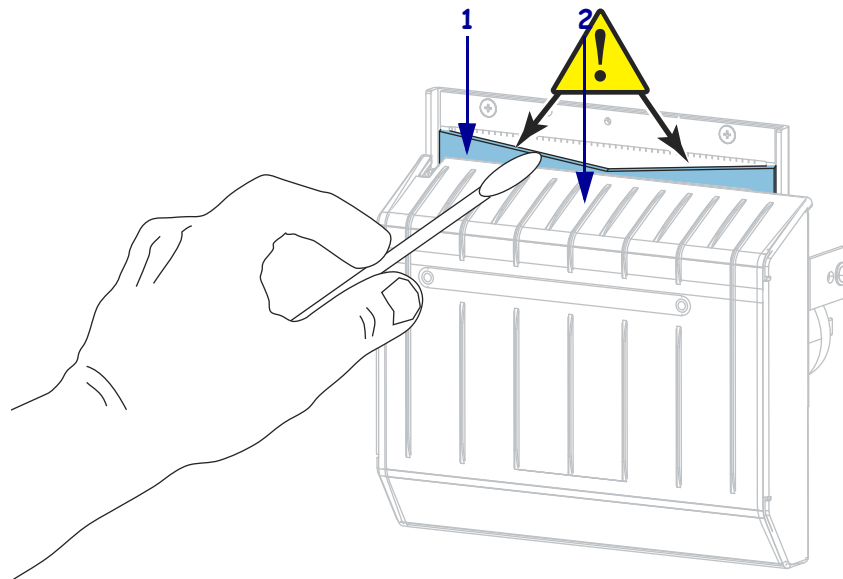


**8-f.** Faites glisser le module de coupe vers la gauche, puis remplacez les vis de fixation.



**8-g.** Continuez avec l'étape 9.

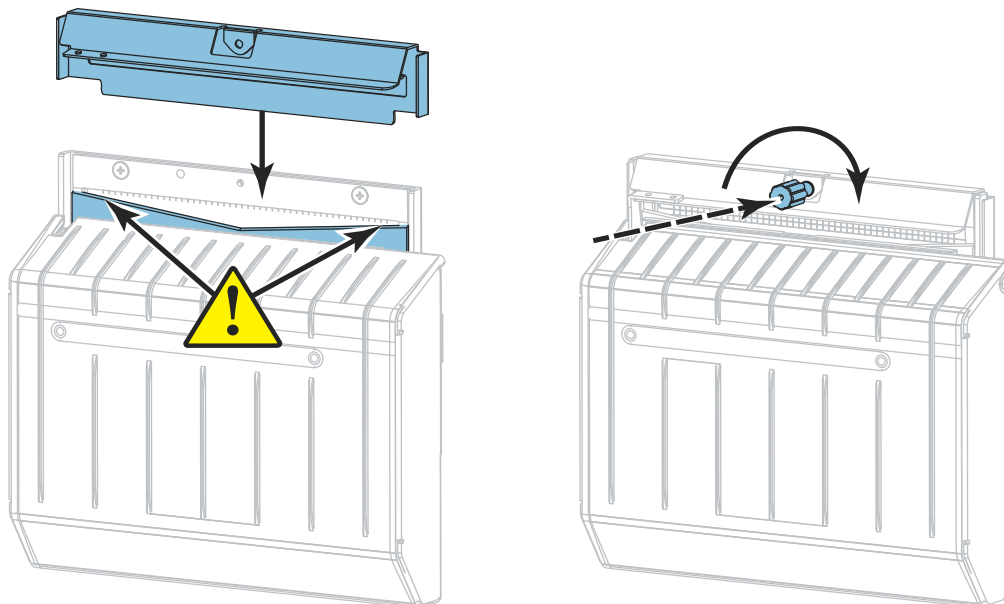
- 9.** À l'aide du tampon fourni dans le kit de maintenance préventive (référence 47362), essuyez d'un bout à l'autre la surface de coupe supérieure (1) et la lame (2). À la place de ce kit, vous pouvez utiliser un coton-tige propre trempé dans de l'alcool isopropylique à 99,7 %. Attendez quelques instants que le solvant s'évapore.



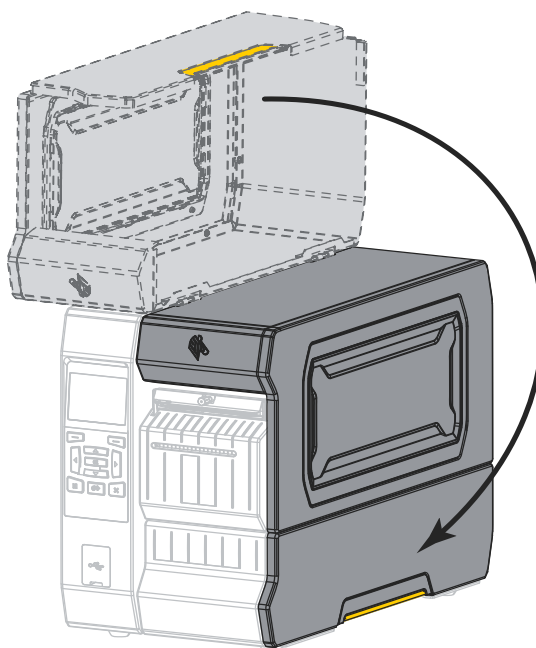


10. **Attention** • La lame est tranchante. À des fins de sécurité, remplacez le volet de protection du module de coupe.

Remettez le volet de protection du module de coupe et fixez-le avec la vis et la rondelle de blocage que vous aviez retirées.



11. Remplacez le papier.  
12. Refermez le panneau d'accès aux supports.

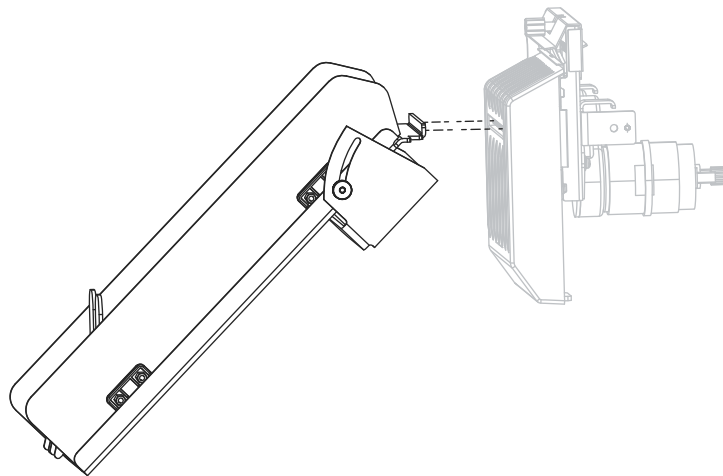


**ULINE**

1-800-295-5510

0720 IH-7378VND

13. Rebranchez l'imprimante sur la source d'alimentation, puis remettez-la sous tension (I).  
La lame reprend sa position de fonctionnement.
14. Remplacez le bac de récupération du module de coupe (le cas échéant).



15. Si les performances du module de coupe ne s'améliorent pas, contactez un technicien de maintenance agréé.

## Remplacement des composants de l'imprimante

Certains composants de l'imprimante susceptibles de s'user au fil du temps, tels que la tête d'impression et le contre-rouleau, peuvent être remplacés facilement. Un nettoyage régulier peut rallonger la durée de vie de certains de ces composants. Pour connaître les fréquences de nettoyage conseillées, reportez-vous à la section [Tableau 5 à la page 214](#).

### Commande de pièces de rechange

Zebra recommande d'utiliser des pièces Zebra™ d'origine afin d'obtenir une qualité d'impression optimale et de bonnes performances sur toute la gamme de produits. Les imprimantes ZT600, par exemple, ne peuvent être utilisées qu'avec des têtes d'impression Zebra™ d'origine, ce qui garantit une sécurité et une qualité d'impression maximales.

Pour savoir comment commander des pièces, contactez votre revendeur Zebra agréé.

### Recyclage des composants de l'Imprimante



La plupart des composants de l'imprimante sont recyclables. La carte logique principale de l'imprimante peut contenir une batterie pour laquelle des instructions de mise au rebut spécifiques doivent être respectées.

Ne jetez aucun composant de l'imprimante avec les déchets ménagers. Respectez les réglementations locales pour vous débarrasser de la batterie et recyclez les autres composants de l'imprimante conformément aux règles en vigueur dans votre pays/région. Pour plus d'informations, visitez le site <http://www.zebra.com/environment>.

### Lubrification

Aucune lubrification n'est requise pour cette imprimante.

---

**Attention** • Certains lubrifiants disponibles sur le marché endommagent la finition et les pièces mécaniques s'ils sont utilisés dans cette imprimante.

---

# Diagnostic et dépannage

Cette section fournit des tests de diagnostic et d'autres informations permettant d'optimiser l'impression ou de résoudre les problèmes de votre imprimante.

Pour regarder des vidéos des procédures courantes, consultez le site <http://www.zebra.com/zt600-info>.



## Sommaire

Codes QR et pages d'aide rapide . . . . .	230
Évaluation de la qualité des codes à barres . . . . .	231
Tests de diagnostic de l'imprimante . . . . .	233
Option de format de test d'impression . . . . .	234
Test d'optimisation du contraste et de la vitesse d'impression. . . . .	239
Test de diagnostic des communications . . . . .	241
Profil de cellule. . . . .	242
Dépannage. . . . .	246
Voyants . . . . .	244
Alertes et messages d'erreur. . . . .	246
Problèmes d'impression. . . . .	250
Problèmes de ruban. . . . .	254
Problèmes RFID . . . . .	256
Problèmes de communication . . . . .	259
Problèmes divers . . . . .	260

## Codes QR et pages d'aide rapide

En plus d'un grand nombre d'alertes ou de messages d'erreur, l'imprimante donne la possibilité de consulter une page d'aide rapide depuis un smartphone. Lorsque cette option est disponible, le coin inférieur droit de l'alerte ou du message d'erreur affiche **QR**.

### Pour accéder à une page d'aide rapide à partir d'un message d'erreur, procédez comme suit :

1. Lorsque le message apparaît à l'écran, appuyez sur bouton droit de sélection pour sélectionner **QR**.

L'imprimante affiche une page d'aide rapide spécifique au message d'erreur en question. Cette page comporte un code QR, comme celui-ci.

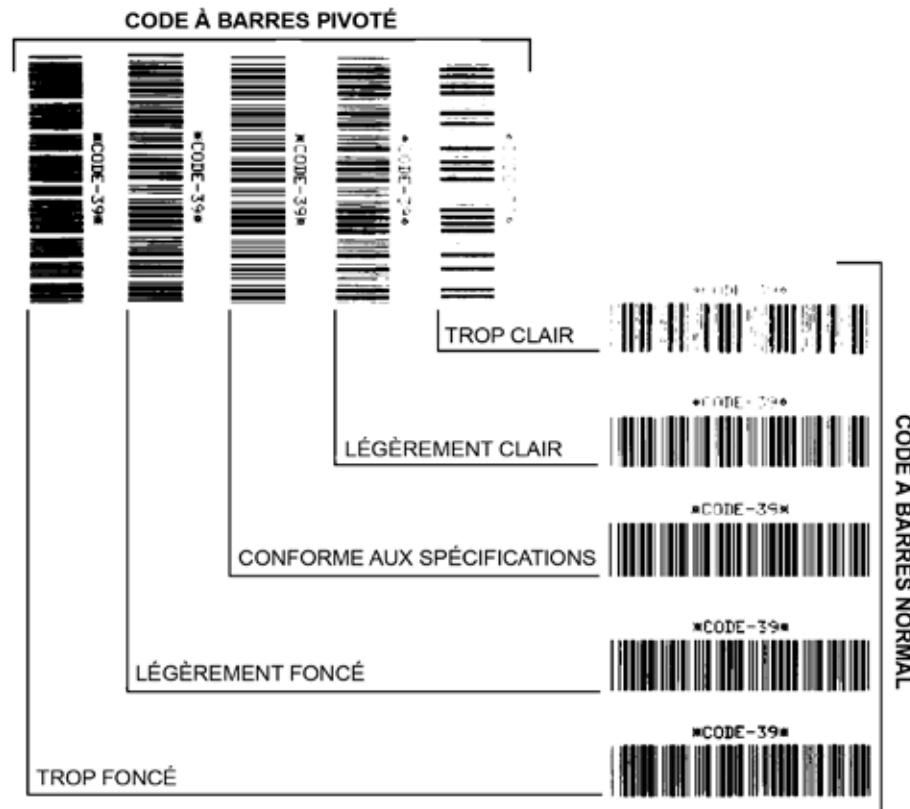


2. Scannez le code QR avec un smartphone.  
Votre téléphone accède soit à une vidéo concernant le message d'erreur, soit à la page du support Zebra relative à votre imprimante.

## Évaluation de la qualité des codes à barres

La [Figure 18](#) montre comment les paramètres imprimantes, comme le contraste et la vitesse d'impression, peuvent affecter la qualité des codes à barres. Configurez le contraste d'impression sur la valeur minimale permettant d'obtenir une bonne qualité d'impression. Des tests (voir les sections [Option de format de test d'impression à la page 234](#) et [Test d'optimisation du contraste et de la vitesse d'impression à la page 239](#)) permettent de déterminer les meilleurs paramètres en fonction de votre imprimante et du papier.

Figure 18 • Comparaison des contrastes des codes à barres



**Trop foncé** Les étiquettes trop foncées sont assez faciles à identifier. Elles sont souvent lisibles, sans pour autant être conformes aux spécifications.

- Les barres d'un code à barres normal augmentent en taille.
- Les ouvertures des petits caractères alphanumériques peuvent être remplies d'encre.
- Les barres et les espaces des codes à barres pivotés se rejoignent.

**Légèrement foncé** Les étiquettes légèrement foncées ne sont pas aussi évidentes à détecter.

- Le code à barres normal est conforme aux spécifications.
- Les petits caractères alphanumériques sont en gras et peuvent être légèrement remplis.
- Les espaces des codes à barres pivotés sont petits comparés au code conforme aux spécifications, le code pouvant alors devenir illisible.

**Conforme aux spécifications** Le code à barres conforme aux spécifications peut être confirmé uniquement par un vérificateur, mais il doit présenter les caractéristiques visibles ci-dessous.

- Le code à barres normal doit présenter des barres régulières complètes avec des espaces clairs et distincts.
- Le code à barres pivoté doit présenter des barres régulières complètes avec des espaces clairs et distincts. Bien qu'il puisse sembler d'une qualité inférieure à un code à barres légèrement foncé, ce code à barres est conforme aux spécifications.
- Les petits caractères alphanumériques semblent complets à la fois dans les styles normal et pivoté.

**Légèrement clair** Les étiquettes légèrement claires sont parfois préférables à des étiquettes légèrement foncées pour obtenir des codes à barres conformes aux spécifications.

- Les codes à barres normaux et pivotés seront conformes aux spécifications, mais les petits caractères alphanumériques risquent de ne pas être complets.

**Trop clair** Les étiquettes trop claires sont évidentes à identifier.

- Les codes à barres normaux et pivotés comprennent des barres et des espaces incomplets.
- Les petits caractères alphanumériques sont illisibles.



## Tests de diagnostic de l'imprimante

Les tests de diagnostic fournissent des informations spécifiques sur l'état de l'imprimante et de ses composants. Les impressions fournissent des informations permettant de déterminer les conditions de fonctionnement optimales de l'imprimante, ainsi que pour le dépannage.



**Important** • Lors de l'exécution de ces tests de diagnostic dans cette section, n'envoyez pas de données à l'imprimante à partir de l'hôte.



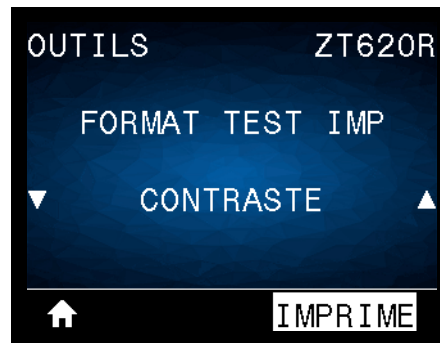
**Remarque** •

- Pour des résultats optimaux, utilisez du papier pleine largeur lors de l'exécution de ces tests.
- Si le papier est plus court que l'image à imprimer, l'impression se poursuit sur les étiquettes suivantes.
- Si l'imprimante est en mode Applicateur et que le support est récupéré par l'applicateur, l'opérateur de ce dernier doit retirer les étiquettes de test à mesure qu'elles sont disponibles pour que vous puissiez poursuivre.

## Option de format de test d'impression

L'option *FORMAT TEST IMP* à la page 140 permet d'imprimer plusieurs étiquettes différentes pour vous aider au dépannage ou au réglage de votre imprimante. Cette section décrit les possibilités concernant cette option.

### CONTRASTE

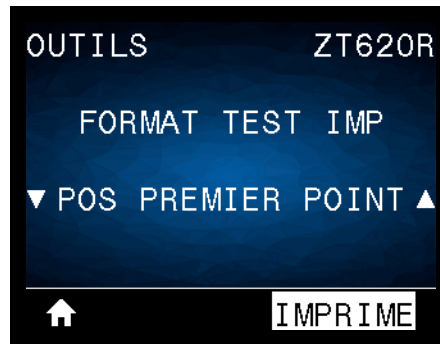


L'imprimante imprime de manière répétée une image à des niveaux de contraste croissants. Appuyez sur CANCEL (Annuler) pour interrompre à tout moment le processus d'impression lorsque le motif est clair et lisible.

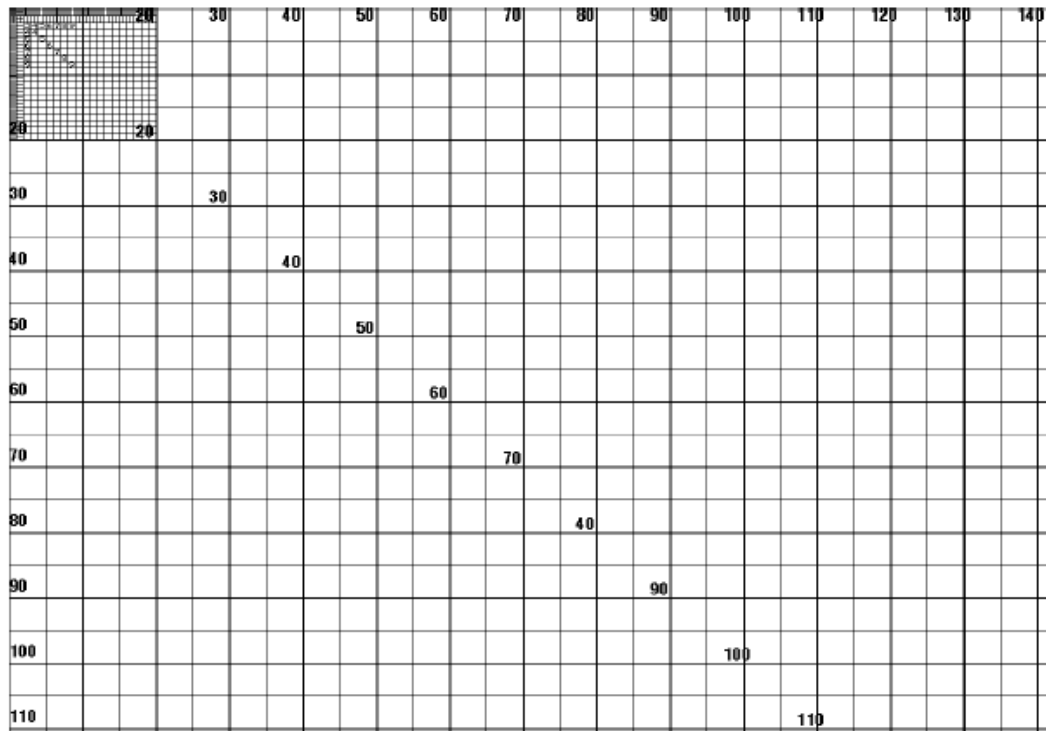


Déterminez le meilleur contraste d'impression à l'aide des chiffres sur les images. Si nécessaire, définissez le paramètre de contraste sur celui ayant donné les meilleurs résultats sur les étiquettes ci-dessus. (Reportez-vous à la section *CONTRASTE* à la page 104.)

## POS PREMIER POINT



L'imprimante imprime une image pour vous aider à régler la position de l'image sur vos étiquettes, si nécessaire. Les lignes sur l'image sont imprimées à partir du haut et du côté gauche de l'étiquette pour vous permettre d'identifier ce qui doit apparaître dans le coin supérieur gauche de l'étiquette.



Si nécessaire, reportez-vous aux sections [POS ARRET](#) à la page 108 et [MARGE GAUCHE](#) à la page 112 pour régler l'emplacement de l'image.

## LIGNE D'IMPRESSION



L'imprimante lance une séquence de test qui imprime une image de test de l'encre/tête d'impression plusieurs fois et à des vitesses différentes. Ces étiquettes de test peuvent servir lors du réglage des éléments mécaniques de l'imprimante ou à déterminer si des éléments de la tête d'impression ne sont pas opérationnels.



Pendant chaque phase de la séquence de test, l'imprimante imprime plusieurs étiquettes à une vitesse donnée, puis s'arrête.

- Appuyez sur PAUSE pour imprimer d'autres étiquettes à la même vitesse.
- Appuyez sur CANCEL (Annuler) pour passer à la phase suivante de la séquence de test.
- Maintenez l'appui sur CANCEL (Annuler) pour quitter la séquence de test.

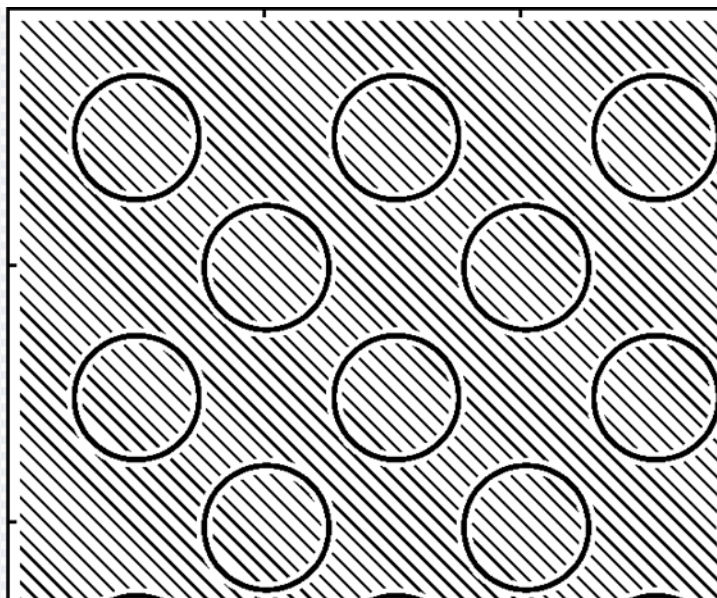
Phase	Nombre d'étiquettes imprimées à chaque fois	Vitesse d'impression
1	15 étiquettes	vitesse minimale de l'imprimante
2	15 étiquettes	152 mm par seconde
3	50 étiquettes	vitesse minimale de l'imprimante
4	50 étiquettes	152 mm par seconde
5	50 étiquettes	vitesse maximale de l'imprimante

Pour initier la séquence de test LIGNE D'IMPRESSION, vous pouvez également redémarrer l'imprimante tout en maintenant le bouton PAUSE enfoncé. Relâchez le bouton PAUSE lorsque le premier voyant du panneau de commande s'éteint (appelé auparavant test automatique PAUSE).

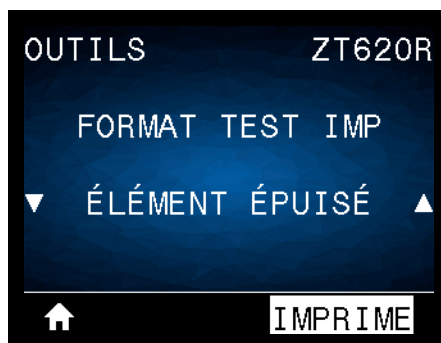
## COMPRESSION IMAGE



L'imprimante imprime des lignes diagonales, des cercles et des dièses à intervalles réguliers autour des bords de l'image pour permettre de résoudre les problèmes de compression ou d'étirement d'une image. Vous pouvez mesurer la distance entre les dièses ou comparer les cercles et les lignes afin d'identifier toute distorsion.



## ÉLÉMENT ÉPUIsé



L'imprimante imprime une image horizontale servant à montrer si un élément de la tête d'impression ne fonctionne pas.



## Test d'optimisation du contraste et de la vitesse d'impression

(Ce test était appelé auparavant test automatique FEED). Selon les types de papier, les réglages de contraste requis peuvent varier. Cette section fournit une méthode simple et efficace pour déterminer le contraste idéal pour imprimer des codes à barres conformes aux spécifications.

Durant ce test, les étiquettes sont imprimées avec des contrastes différents à diverses vitesses d'impression. Le contraste relatif et la vitesse d'impression sont imprimés sur chaque étiquette. Les codes à barres imprimés sur ces étiquettes peuvent être évalués selon les classes ANSI pour permettre le contrôle de la qualité d'impression.

La valeur de contraste commence à trois valeurs de moins que celle de contraste actuelle de l'imprimante (contraste relatif : -3) et augmente jusqu'à trois valeurs de plus (contraste relatif : +3).

### Pour lancer un test d'optimisation du contraste et de la vitesse d'impression, procédez comme suit :

1. Imprimez une étiquette de configuration pour connaître les paramètres actuels de l'imprimante. (Reportez-vous à la section *INFOS IMPRESSION* à la page 119.)
2. Mettez l'imprimante hors tension (O).
3. Appuyez sur la touche FEED (Avance) et maintenez-la enfoncée tout en mettant l'imprimante sous tension (I). Maintenez cette touche enfoncée jusqu'à ce que le premier voyant du panneau de commande s'éteigne.

L'imprimante imprime une série d'étiquettes (Figure 19) à différentes vitesses et à des contrastes plus élevés et plus faibles que la valeur de contraste indiquée sur l'étiquette de configuration.

Figure 19 • Exemple d'étiquette de test du contraste et de la vitesse d'impression



**ULINE**

1-800-295-5510

0720 IH-7378VND

4. Voir *Évaluation de la qualité des codes à barres* à la page 231. Examinez les étiquettes de test et identifiez celle qui présente la meilleure qualité d'impression pour votre application. Si vous possédez un vérificateur de code à barres, utilisez-le pour mesurer les barres et les espaces et calculer le contraste d'impression. Dans le cas contraire, examinez visuellement ou à l'aide du scanneur du système le code à barres pour choisir le paramètre de contraste optimal sur les étiquettes imprimées au cours de ce test automatique.
5. Notez la valeur de contraste relatif et la vitesse d'impression imprimées sur la meilleure étiquette de test.
6. Ajoutez ou soustrayez la valeur de contraste relatif à partir de la valeur de contraste indiquée sur l'étiquette de configuration. La valeur numérique résultante est la valeur de contraste optimale pour cette combinaison étiquette/ruban spécifique et pour cette vitesse d'impression.
7. Si nécessaire, modifiez la valeur de contraste en sélectionnant la valeur indiquée sur la meilleure étiquette de test.
8. Si nécessaire, réglez la vitesse d'impression sur la vitesse indiquée sur la meilleure étiquette de test.



## Test de diagnostic des communications

Le test de diagnostic des communications est un outil de dépannage permettant de vérifier l'interconnexion entre l'imprimante et l'ordinateur hôte. Lorsque l'imprimante est en mode diagnostic, elle imprime toutes les données qu'elle reçoit de l'ordinateur hôte sous forme de caractères ASCII, avec leur valeur hexadécimale sous le texte ASCII. L'imprimante imprime tous les caractères reçus, y compris les codes de contrôle tels que CR (retour chariot). Une étiquette de test standard générée par ce test est présentée dans la [Figure 20](#).



**Remarque** • L'étiquette de test est imprimée à l'envers.

**Figure 20 • Exemple d'étiquette de test de diagnostic des communications**



**Pour utiliser le mode de diagnostic des communications, procédez comme suit :**

1. Définissez la largeur d'impression sur une valeur inférieure ou égale à la largeur de l'étiquette utilisée pour le test. (Reportez-vous à la section [LARGEUR IMPR](#) à la page 109.)
2. Paramétrez l'option MODE DIAGNOSTIC sur ACTIVE. Pour obtenir plus d'informations, reportez-vous à la section [MODE DIAGNOSTIC](#) à la page 128.  
 Le mode de diagnostic est activé et l'imprimante imprime toutes les données qu'elle reçoit de l'ordinateur hôte sur une étiquette de test.
3. Vérifiez si cette étiquette présente des codes d'erreur. Pour chaque erreur générée, vérifiez que les paramètres de communication sont corrects.  
 Les erreurs sont signalées comme suit sur l'étiquette de test :
  - FE : erreur de trame ;
  - OE : erreur de surcharge ;
  - PE : erreur de parité ;
  - NE : erreur de bruit.
4. Pour quitter ce test automatique et revenir au fonctionnement normal, éteignez, puis rallumez l'imprimante ou définissez l'option MODE DIAGNOSTIC sur DESACTIVE.

## Profil de cellule

Pour résoudre les problèmes ci-après, employez l'image du profil de cellule (déployée sur plusieurs étiquettes) :

- L'imprimante ne parvient pas à déterminer l'espace (la bande) entre les étiquettes.
- L'imprimante identifie de manière incorrecte les zones pré-imprimées sur une étiquette en tant qu'espaces (bandes).
- L'imprimante ne détecte pas le ruban.

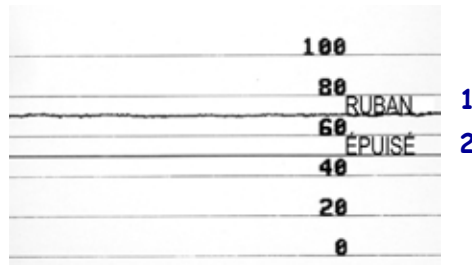
Lorsque l'imprimante est à l'état Prêt, imprimez un profil de cellule, en utilisant l'une des méthodes suivantes :

À l'aide des touches du panneau de commande	<ol style="list-style-type: none"> <li>Mettez l'imprimante hors tension (O).</li> <li>Appuyez sur les touches FEED (Avance) et CANCEL (Annuler) et, tout en les maintenant enfoncées, mettez l'imprimante sous tension (I).</li> <li>Maintenez les deux touches enfoncées jusqu'à ce que le premier voyant du panneau de commande s'éteigne.</li> </ol>
À l'aide de la commande ZPL	<ol style="list-style-type: none"> <li>Envoyez la commande ~JG à l'imprimante. Pour plus d'informations sur cette commande, consultez le <i>guide de programmation Zebra</i>.</li> </ol>
Utilisation du panneau de commande	<ol style="list-style-type: none"> <li>Accédez à l'option suivante sous le menu CELLULES.           <div data-bbox="852 1033 1295 1371" data-label="Image"> </div> </li> <li>Appuyez sur le bouton de sélection DROIT afin de sélectionner IMPRIME.</li> </ol>

Comparez vos résultats aux exemples fournis dans cette section. Si la sensibilité des cellules doit être réglée, calibrez l'imprimante (reportez-vous à la section [Calibrage des cellules ruban et papier à la page 193](#)).

**Profil de cellule ruban (Figure 21)** Les barres (1) figurant sur le profil de cellule indiquent les valeurs lues par la cellule ruban. Le paramètre de seuil de la cellule ruban est signalé par le mot ÉPUISE (2). Si les valeurs lues par la cellule ruban sont inférieures à ce seuil, l'imprimante ne détecte pas que le ruban est chargé.

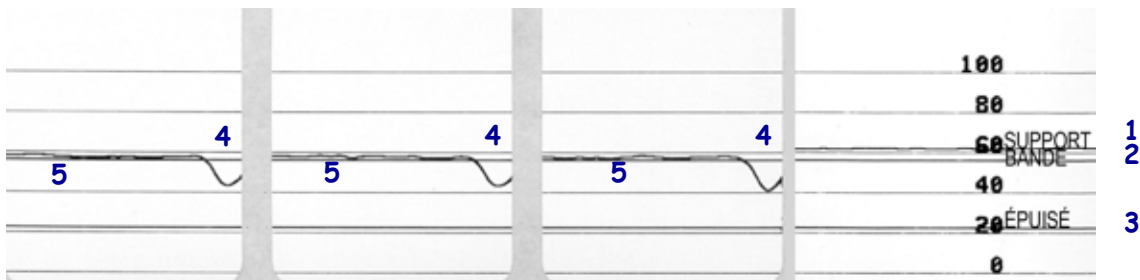
**Figure 21 • Profil de cellule (section relative au ruban)**



**Profil de cellule papier (Figure 22)** Les barres (1) figurant sur le profil de cellule indiquent les valeurs lues par la cellule papier. Le paramètre de seuil de la cellule papier est signalé par le mot BANDE (2). Le seuil de fin de papier est signalé par ÉPUISE (3). Les pointes vers le bas (4) symbolisent les espaces entre les étiquettes (la bande) et les lignes entre les pointes (5) indiquent l'emplacement des étiquettes.

Si vous comparez l'impression du profil de cellule à une longueur de papier, les pointes doivent être séparées par la même distance que les espaces sur le papier. Dans le cas contraire, il peut être difficile pour l'imprimante d'identifier l'emplacement des espaces.

**Figure 22 • Profil de cellule (section relative au papier)**



## Voyants

Tableau 6 • État de l'imprimante signalé par les voyants
















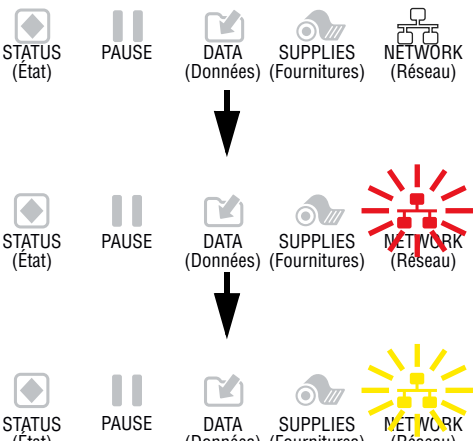



	<p>Voyant <i>STATUS (État)</i> vert fixe (autres voyants jaunes fixes pendant 2 secondes au moment de la mise sous tension de l'imprimante)</p> <p>L'imprimante est prête.</p>
	<p>Voyant <i>PAUSE</i> jaune fixe.</p> <p>L'imprimante est en pause.</p>
	<p>Voyant <i>STATUS (État)</i> rouge</p> <p>Voyant <i>SUPPLIES (Fournitures)</i> rouge fixe</p> <p>Le papier est épuisé. Une intervention de l'utilisateur est nécessaire pour remettre l'imprimante en état de marche.</p>
	<p>Voyant <i>STATUS (État)</i> rouge</p> <p>Voyant <i>SUPPLIES (Fournitures)</i> rouge clignotant</p> <p>Le ruban est épuisé. Une intervention de l'utilisateur est nécessaire pour remettre l'imprimante en état de marche.</p>
	<p>Voyant <i>STATUS (État)</i> jaune</p> <p>Voyant <i>SUPPLIES (Fournitures)</i> jaune clignotant</p> <p>L'imprimante est en mode thermique direct, qui ne nécessite pas de ruban ; toutefois, celui-ci est installé dans l'imprimante.</p>
	<p>Voyant <i>STATUS (État)</i> rouge</p> <p>Voyant <i>PAUSE</i> jaune fixe</p> <p>La tête d'impression est ouverte. Une intervention de l'utilisateur est nécessaire pour remettre l'imprimante en état de marche.</p>
	<p>Voyant <i>STATUS (État)</i> jaune</p> <p>La température de la tête d'impression est excessive.</p> <p> <b>Attention</b> • La tête d'impression peut être très chaude et risque de provoquer des brûlures graves. Attendez qu'elle refroidisse.</p>
	<p>Voyant <i>STATUS (État)</i> jaune clignotant</p> <p>Ce voyant clignotant indique un des états suivants :</p> <ul style="list-style-type: none"> <li>• La température de la tête d'impression est insuffisante.</li> <li>• Le bloc d'alimentation est en surchauffe.</li> <li>• La température de la carte logique principale est excessive.</li> </ul>
	<p>Voyant <i>STATUS (État)</i> rouge</p> <p>Voyant <i>PAUSE</i> rouge fixe</p> <p>Voyant <i>DATA (Données)</i> rouge fixe</p> <p>La tête d'impression utilisée en remplacement n'est pas de marque Zebra™. Installez une tête d'impression de marque Zebra™.</p>

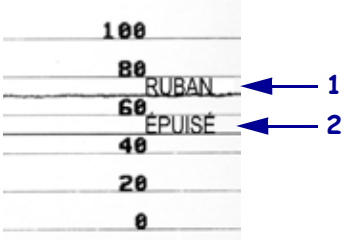
Tableau 6 • État de l'imprimante signalé par les voyants (Suite)




	<p><i>Voyant STATUS (État) rouge clignotant</i> L'imprimante ne peut pas lire le paramètre ppp de la tête d'impression.</p>
<p><b>Imprimantes avec une option Ethernet câblé ZebraNet</b></p>	
	<p><i>Voyant NETWORK (Réseau) éteint</i> Aucune liaison Ethernet disponible.</p>
	<p><i>Voyant NETWORK (Réseau) vert fixe</i> Une liaison 100 Base est détectée.</p>
	<p><i>Voyant NETWORK (Réseau) jaune fixe</i> Une liaison 10 Base est détectée.</p>
	<p><i>Voyant NETWORK (Réseau) rouge fixe</i> Une condition d'erreur Ethernet existe. L'imprimante n'est pas connectée au réseau.</p>
<p><b>Imprimantes avec une option sans fil ZebraNet</b></p>	
	<p><i>Voyant NETWORK (Réseau) éteint</i> Une carte radio est détectée lors de la mise sous tension de l'imprimante. L'imprimante tente de s'associer au réseau. Le voyant est rouge clignotant au moment où l'imprimante s'associe au réseau. Le voyant devient ensuite jaune clignotant au moment de l'authentification de l'imprimante au réseau.</p>
	<p><i>Voyant NETWORK (Réseau) vert fixe</i> La carte radio est associée au réseau et authentifiée, et la puissance du signal WLAN est élevée.</p>
	<p><i>Voyant NETWORK (Réseau) vert clignotant</i> WLAN - La carte radio est associée au réseau et authentifiée, mais la puissance du signal WLAN est faible.</p>
	<p><i>Voyant NETWORK (Réseau) rouge fixe</i> Une condition d'erreur WLAN existe. L'imprimante n'est pas connectée au réseau.</p>

## Dépannage


### Alertes et messages d'erreur

Affichage/ Voyants	Causes possibles	Recommandations Solutions
<div style="border: 1px solid black; padding: 5px; text-align: center; width: fit-content; margin: 0 auto;"> <b>TÊTE OUVERTE FERMER TÊTE</b> </div> <p>Voyant STATUS (État) rouge Voyant PAUSE jaune fixe</p>	La tête d'impression n'est pas entièrement fermée.	Refermez totalement la tête d'impression.
	Le détecteur d'ouverture de la tête d'impression ne fonctionne pas correctement.	Adressez-vous à un technicien de maintenance pour le faire remplacer.
<div style="border: 1px solid black; padding: 5px; text-align: center; width: fit-content; margin: 0 auto;"> <b>SUPPORT ÉPUISE CHARGER PAPIER</b> </div> <p>Voyant STATUS (État) rouge Voyant SUPPLIES (Fournitures) rouge fixe</p>	Le papier n'est pas chargé ou il est chargé de manière incorrecte.	Chargez correctement le papier. Voir <a href="#">Chargement du papier</a> à la page 32.
	Cellule papier incorrectement alignée.	Vérifiez la position de la cellule papier.
	L'imprimante est configurée pour du papier non continu, mais du papier continu est chargé.	<ol style="list-style-type: none"> <li>1. Installez le type de support approprié ou réinitialisez l'imprimante pour qu'elle prenne en charge le support actuel.</li> <li>2. Calibrez l'imprimante. Voir <a href="#">Calibrage des cellules ruban et papier</a> à la page 193.</li> </ol>
<div style="border: 1px solid black; padding: 5px; text-align: center; width: fit-content; margin: 0 auto;"> <b>ATTENTION PRESENCE RUBAN</b> </div> <p>Voyant STATUS (État) jaune Voyant SUPPLIES (Fournitures) jaune clignotant</p>	Le ruban est chargé, mais l'imprimante est configurée pour fonctionner en mode thermique direct.	Le ruban n'est pas nécessaire avec le papier thermique direct. Si vous utilisez du papier thermique direct, retirez le ruban. Ce message d'erreur n'a pas d'incidence sur l'impression.
		Si vous utilisez du papier à transfert thermique, qui nécessite un ruban, configurez le mode transfert thermique sur l'imprimante. Voir <a href="#">TYPE IMPRESSION</a> à la page 107.
<div style="border: 1px solid black; padding: 5px; text-align: center; width: fit-content; margin: 0 auto;"> <b>TÊTE NON AUTH. REEMPLACER TÊTE</b> </div> <p>Voyant STATUS (État) rouge Voyant PAUSE rouge fixe Voyant DATA (Données) rouge fixe</p>	La tête d'impression utilisée en remplacement n'est pas de marque Zebra™.	Installez une tête d'impression de marque Zebra™.

Affichage/ Voyants	Causes possibles	Recommandations Solutions
<div style="border: 1px solid black; padding: 5px; text-align: center; margin-bottom: 10px;"> <b>ALERTE FIN DE RUBAN</b> </div> <p>Voyant STATUS (État) jaune Voyant SUPPLIES (Fournitures) jaune clignotant</p>	<p>En mode de transfert thermique :</p> <ul style="list-style-type: none"> <li>• le ruban n'est pas chargé ;</li> <li>• le chargement du ruban est incorrect ;</li> <li>• la cellule ruban ne détecte pas de ruban ;</li> <li>• le papier bloque la cellule ruban.</li> </ul>	<ol style="list-style-type: none"> <li>1. Chargez correctement le ruban. Voir <i>Chargement du papier</i> à la page 32.</li> <li>2. Calibrez l'imprimante. Voir <i>Calibrage des cellules ruban et papier</i> à la page 193.</li> </ol>
	<p>En mode de transfert thermique, l'imprimante ne détecte pas le ruban, qui est pourtant chargé correctement.</p>	<ol style="list-style-type: none"> <li>1. Imprimez un profil de cellule (reportez-vous à la section <i>INFOS IMPRESSION</i> à la page 119). Le seuil de fin de ruban (2) est probablement trop haut, au-dessus de la ligne indiquant où le ruban est détecté (1).</li> </ol>  <ol style="list-style-type: none"> <li>2. Calibrez l'imprimante (reportez-vous à la section <i>Calibrage des cellules ruban et papier</i> à la page 193) ou chargez les paramètres par défaut de l'imprimante (reportez-vous à la section <i>CONFIG DEFAUT</i> à la page 125).</li> </ol>
	<p>Si vous utilisez du papier thermique direct, l'imprimante attend que le ruban soit chargé, car le mode de transfert thermique y est configuré de façon erronée.</p>	<p>Configurez le mode thermique direct sur l'imprimante. Voir <i>TYPE IMPRESSION</i> à la page 107.</p>

Affichage/ Voyants	Causes possibles	Recommandations Solutions
<div style="border: 1px solid black; padding: 5px; text-align: center; margin-bottom: 10px;"> <b>TÊTE IMP. CHAUDE ARRÊT IMPRESSION</b> </div> <p>Voyant STATUS (État) jaune</p>	 <p><b>Attention</b> • La tête d'impression peut être très chaude et causer des brûlures graves. Attendez qu'elle refroidisse.</p> <p>La température de la tête d'impression est excessive.</p>	<p>Attendez que l'imprimante refroidisse. L'impression reprend automatiquement lorsque les éléments de la tête d'impression atteignent une température de fonctionnement acceptable. Si le problème persiste, déplacez l'imprimante ou appliquez une vitesse d'impression inférieure.</p>
<div style="border: 1px solid black; padding: 5px; text-align: center; margin-bottom: 10px;"> <b>TETE FROIDE ARRÊT IMPRESSION</b> </div> <div style="border: 1px solid black; padding: 5px; text-align: center;"> <b>THERMISTANCE REEMPLACER TETE</b> </div> <p>Voyant STATUS (État) jaune L'imprimante affiche l'un de ces messages ou passe d'un message à un autre.</p>	 <p><b>Attention</b> • Un câble d'alimentation ou de données de tête d'impression incorrectement branché peut être à l'origine de ces messages d'erreur. La tête d'impression peut être très chaude et causer des brûlures graves. Attendez qu'elle refroidisse.</p> <p>Le câble de données de la tête d'impression n'est pas correctement connecté.</p> <p>La tête d'impression comporte une thermistance défectueuse.</p>	<p>Faites appel à un technicien de maintenance pour fixer la tête d'impression comme il se doit.</p> <p>Adressez-vous à un technicien de maintenance pour faire remplacer la tête d'impression.</p>
<div style="border: 1px solid black; padding: 5px; text-align: center; margin-bottom: 10px;"> <b>TETE FROIDE ARRÊT IMPRESSION</b> </div> <p>Voyant STATUS (État) jaune clignotant</p>	 <p><b>Attention</b> • Un câble d'alimentation ou de données de tête d'impression incorrectement branché peut être à l'origine de ce message d'erreur. La tête d'impression peut être très chaude et causer des brûlures graves. Attendez qu'elle refroidisse.</p> <p>La température de la tête d'impression est proche de la limite inférieure de fonctionnement.</p> <p>Le câble de données de la tête d'impression n'est pas correctement connecté.</p> <p>La tête d'impression comporte une thermistance défectueuse.</p>	<p>Reprenez l'impression lorsque la tête d'impression atteint la température adéquate. Si l'erreur persiste, il est possible que l'environnement soit trop froid pour permettre une impression correcte. Placez l'imprimante dans une zone plus chaude.</p> <p>Faites appel à un technicien de maintenance pour fixer la tête d'impression comme il se doit.</p> <p>Adressez-vous à un technicien de maintenance pour faire remplacer la tête d'impression.</p>



Affichage/ Voyants	Causes possibles	Recommandations Solutions
<div style="border: 1px solid black; padding: 5px; text-align: center; margin-bottom: 10px;">ERREUR DE COUPE</div> <p>Voyant STATUS (État) rouge Voyant PAUSE jaune fixe</p>	 <p><b>Attention</b> • La lame est tranchante. Vous ne devez pas toucher ni frotter la lame avec vos doigts.</p> <p>La lame se trouve sur le passage du papier.</p>	<p>Mettez l'imprimante hors tension et débranchez l'imprimante. Vérifiez si le module de coupe contient des saletés et, le cas échéant, nettoyez-le en suivant les instructions fournies dans la section <i>Nettoyage du module de coupe</i> à la page 220.</p>
<div style="border: 1px solid black; padding: 5px; text-align: center; margin-bottom: 10px;">UTILISER PÉRIPH. MÉMOIRE USB ?</div> <p style="text-align: center;">OUI <span style="margin-left: 100px;">NON</span></p>	<p>Le port USB est désactivé, et un périphérique USB a été connecté au port.</p>	<p>Pour utiliser le périphérique USB, sélectionnez <b>OUI</b> ou envoyez la commande SGD suivante à l'imprimante :</p> <pre>! U1 setvar "usb.host.lock_out" "on"</pre>
<div style="border: 1px solid black; padding: 5px; text-align: center; margin-bottom: 10px;">MEM. SATUREE STOCKAGE GRAPHIC</div> <div style="border: 1px solid black; padding: 5px; text-align: center; margin-bottom: 10px;">MEM. SATUREE STOCKAGE FORMAT</div> <div style="border: 1px solid black; padding: 5px; text-align: center; margin-bottom: 10px;">MEM. SATUREE STOCKAGE IMAGE</div> <div style="border: 1px solid black; padding: 5px; text-align: center;">MEM. SATUREE STOCKAGE FONTE</div>	<p>La mémoire est insuffisante pour exécuter la fonction indiquée sur la deuxième ligne du message d'erreur.</p>	<p>Libérez une partie de la mémoire de l'imprimante en réglant les paramètres de l'imprimante ou en modifiant le format d'étiquette. Une méthode pour libérer de la mémoire consiste à régler la largeur d'impression en fonction de la largeur réelle de l'étiquette au lieu de conserver la largeur d'impression par défaut. Voir <i>LARGEUR IMPR</i> à la page 109.</p> <p>Vérifiez que les données ne sont pas transmises à un périphérique non installé ou indisponible.</p> <p>Si le problème persiste, contactez un technicien de maintenance.</p>

## Problèmes d'impression

Code à barres non lu par le scanner		
<i>Problème</i>	<i>Cause possible</i>	<i>Solution recommandée</i>
Le code à barres imprimé sur une étiquette ne peut être lu par le scanner.	Le code à barres n'est pas conforme aux spécifications, car l'impression est trop claire ou trop foncée.	Exécutez le <i>Test d'optimisation du contraste et de la vitesse d'impression</i> à la page 239. Modifiez si nécessaire les paramètres de contraste et de vitesse de l'impression.
	Espace insuffisant autour du code à barres.	Laissez un espace minimum de 3,2 mm entre le code à barres et les autres zones imprimées de l'étiquette, et entre le code à barres et le bord de l'étiquette.
Impression trop claire ou trop foncée		
<i>Problème</i>	<i>Cause possible</i>	<i>Solution recommandée</i>
Impression trop claire ou trop foncée sur toute l'étiquette	Le papier ou le ruban ne sont pas conçus pour des impressions à grande vitesse.	Remplacez les consommables par ceux recommandés pour ce type d'impressions. Pour plus d'informations, visitez le site <a href="http://www.zebra.com/supplies">http://www.zebra.com/supplies</a> .
	L'imprimante est paramétrée sur un niveau de contraste incorrect.	Pour une qualité d'impression maximale, choisissez le contraste le plus faible pour l'application. Vous pouvez, si vous le souhaitez, exécuter le <i>Test d'optimisation du contraste et de la vitesse d'impression</i> à la page 239 pour identifier le niveau de contraste idéal.  Pour savoir comment modifier le contraste, reportez-vous à la section <i>CONTRASTE</i> à la page 104.
	Vous utilisez une combinaison de papier et de ruban incorrecte pour votre application.	<ol style="list-style-type: none"> <li>1. Changez de type de papier ou de ruban pour trouver une combinaison compatible.</li> <li>2. S'il y a lieu, contactez votre revendeur ou distributeur Zebra agréé pour obtenir des informations et des conseils.</li> </ol>
	Pression de la tête d'impression incorrecte.	Utilisez la valeur de pression minimale permettant d'obtenir une bonne qualité d'impression. Voir <i>Réglage de la pression de la tête d'impression et de la position des leviers</i> à la page 199.
Impression trop claire ou trop foncée sur un côté de l'étiquette	Pression de la tête d'impression inégale.	Ajustez la valeur de pression pour obtenir une bonne qualité d'impression. Voir <i>Réglage de la pression de la tête d'impression et de la position des leviers</i> à la page 199.

Mauvaise qualité d'impression		
<i>Problème</i>	<i>Cause possible</i>	<i>Solution recommandée</i>
Marques de souillure sur les étiquettes	Le papier ou le ruban ne sont pas conçus pour des impressions à grande vitesse.	Remplacez les consommables par ceux recommandés pour ce type d'impressions. Pour plus d'informations, visitez le site <a href="http://www.zebra.com/supplies">http://www.zebra.com/supplies</a> .
Mauvaise qualité avec les étiquettes épaisses	La position de la ligne d'impression n'est pas optimale pour votre papier.	Reportez-vous au <i>Manuel de maintenance</i> pour obtenir des instructions sur le réglage de la ligne d'impression pour du papier épais.
Problèmes généraux de qualité d'impression	L'imprimante est paramétrée sur une vitesse d'impression incorrecte.	Pour une qualité d'impression optimale, paramétrez la vitesse d'impression sur la valeur minimale pour votre application par l'intermédiaire du panneau de commande, du pilote ou du logiciel. Vous pouvez, si vous le souhaitez, exécuter le <i>Test d'optimisation du contraste et de la vitesse d'impression à la page 239</i> pour déterminer quels sont les paramètres optimaux pour l'imprimante. Pour savoir comment modifier la vitesse d'impression, reportez-vous à la section <i>VITESSE TETE</i> à la page 105.
	Vous utilisez une combinaison d'étiquettes et de ruban incorrecte pour votre application.	<ol style="list-style-type: none"> <li>1. Changez de type de papier ou de ruban pour trouver une combinaison compatible.</li> <li>2. S'il y a lieu, contactez votre revendeur ou distributeur Zebra agréé pour obtenir des informations et des conseils.</li> </ol>
	L'imprimante est paramétrée sur un niveau de contraste incorrect.	Pour une qualité d'impression maximale, choisissez le contraste le plus faible pour l'application. Vous pouvez, si vous le souhaitez, exécuter le <i>Test d'optimisation du contraste et de la vitesse d'impression à la page 239</i> pour identifier le niveau de contraste idéal. Pour savoir comment modifier le contraste, reportez-vous à la section <i>CONTRASTE</i> à la page 104.
	La tête d'impression est sale.	Nettoyez-le, de même que la tête d'impression. Voir <i>Nettoyage de la tête d'impression et du contre-rouleau</i> à la page 216.
	Pression de la tête d'impression incorrecte ou inégale.	Utilisez la valeur de pression minimale permettant d'obtenir une bonne qualité d'impression. Voir <i>Réglage de la pression de la tête d'impression et de la position des leviers</i> à la page 199.
	Le format d'étiquette met à l'échelle une police non compatible.	Vérifiez le format d'étiquettes en cas de problème de police.



**Lignes grises angulaires sur étiquettes vierges**

<i>Problème</i>	<i>Cause possible</i>	<i>Solution recommandée</i>
Lignes grises, angulaires et fines sur étiquettes vierges	Ruban replié.	Les causes de repli du ruban et les solutions recommandées sont décrites dans le tableau <i>Problèmes de ruban</i> à la page 254.

**Impression manquante**

<i>Problème</i>	<i>Cause possible</i>	<i>Solution recommandée</i>
Longues pistes sans impression sur plusieurs étiquettes.	Élément d'impression endommagé.	Faites appel à un technicien de maintenance.
	Ruban replié.	Les causes de repli du ruban et les solutions recommandées sont décrites dans le tableau <i>Problèmes de ruban</i> à la page 254.

**Perte de repères**

<i>Problème</i>	<i>Cause possible</i>	<i>Solution recommandée</i>
Perte de repères d'impression sur les étiquettes.	Le contre-rouleau est sale.	Nettoyez-le, de même que la tête d'impression. Voir <i>Nettoyage de la tête d'impression et du contre-rouleau</i> à la page 216.
Déport vertical excessif du repère de début de page.	Les guides de papier ne sont pas positionnés correctement.	Assurez-vous que les guides de papier sont correctement positionnés. Voir <i>Chargement du papier</i> à la page 32.
	Le type de papier n'est pas défini correctement.	Définissez le type de papier approprié pour l'imprimante (espace/encoche, continu ou marque). Voir <i>TYPE MEDIA</i> à la page 106.
	Le papier est chargé de manière incorrecte.	Chargez correctement le papier. Voir <i>Chargement du papier</i> à la page 32.
Défaut de positionnement/étiquettes non imprimées	L'imprimante n'est pas calibrée.	Calibrez l'imprimante. Voir <i>Calibrage des cellules ruban et papier</i> à la page 193.
	Format d'étiquette incorrect.	Vérifiez le format d'étiquette et changez-en au besoin.
Défaut de positionnement et d'impression d'une à trois étiquettes	Le contre-rouleau est sale.	Nettoyez-le, de même que la tête d'impression. Voir <i>Nettoyage de la tête d'impression et du contre-rouleau</i> à la page 216.
	Le papier n'est pas conforme aux spécifications.	Utilisez un papier conforme aux spécifications. Voir <i>Spécifications du papier</i> à la page 286.

Déport vertical à la position Début de page	L'imprimante n'est pas calibrée.	Calibrez l'imprimante. Voir <i>Calibrage des cellules ruban et papier</i> à la page 193.
	Le contre-rouleau est sale.	Nettoyez-le, de même que la tête d'impression. Voir <i>Nettoyage de la tête d'impression et du contre-rouleau</i> à la page 216.
Déport vertical de l'image ou de l'étiquette.	L'imprimante utilise des étiquettes non continues, mais le mode configuré est le mode continu.	Définissez le type de papier correct pour l'imprimante (espace/encoche, continu ou marqué ; reportez-vous à la section <i>TYPE MEDIA</i> à la page 106) et, si nécessaire, calibrez cette dernière (reportez-vous à la section <i>Calibrage des cellules ruban et papier</i> à la page 193).
	La cellule papier est incorrectement calibrée.	Calibrez l'imprimante. Voir <i>Calibrage des cellules ruban et papier</i> à la page 193.
	Le contre-rouleau est sale.	Nettoyez-le, de même que la tête d'impression. Voir <i>Nettoyage de la tête d'impression et du contre-rouleau</i> à la page 216.
	Réglages de la pression de la tête d'impression incorrects (leviers).	Réglez la pression de la tête d'impression pour un fonctionnement correct. Voir <i>Réglage de la pression de la tête d'impression et de la position des leviers</i> à la page 199.
	Le papier ou le ruban n'est pas chargé correctement.	Veillez à un chargement correct. Reportez-vous à la <i>Chargement du papier</i> à la page 32 et au <i>Chargement du papier</i> à la page 32.
	Papier incompatible.	Vous devez employer un papier compatible avec les spécifications de l'imprimante. Assurez-vous que les espaces ou encoches entre les étiquettes mesurent entre 2 et 4 mm et sont réguliers (reportez-vous à la section <i>Spécifications du papier</i> à la page 286).

## Problèmes de ruban

Pour regarder des vidéos des procédures courantes, consultez le site  
<http://www.zebra.com/zt600-info>.



Ruban déchiré		
<i>Problème</i>	<i>Cause possible</i>	<i>Solution recommandée</i>
Ruban déchiré ou ayant fondu	Paramètre de contraste trop élevé.	<ol style="list-style-type: none"><li>1. Réduisez le paramètre de contraste. Pour savoir comment modifier le contraste, reportez-vous à la section <i>CONTRASTE</i> à la page 104.</li><li>2. Nettoyez soigneusement la tête d'impression. Voir <i>Nettoyage de la tête d'impression et du contre-rouleau</i> à la page 216.</li></ol>
	Le ruban est enduit sur la face intérieure et ne peut pas être utilisé sur cette imprimante.	Remplacez le ruban avec la face enduite du bon côté. Pour plus d'informations, reportez-vous à la section <i>Face enduite du ruban</i> à la page 24.

<b>Ruban replié</b>		
<i>Problème</i>	<i>Cause possible</i>	<i>Solution recommandée</i>
Ruban replié	Le ruban a été mal chargé.	Chargez correctement le ruban. Voir <i>Chargement du ruban</i> à la page 58.
	Température de fusion incorrecte.	Pour une qualité d'impression maximale, choisissez le contraste le plus faible pour l'application. Vous pouvez, si vous le souhaitez, exécuter le <i>Test d'optimisation du contraste et de la vitesse d'impression</i> à la page 239 pour identifier le niveau de contraste idéal. Pour savoir comment modifier le contraste, reportez-vous à la section <i>CONTRASTE</i> à la page 104.
	Pression de la tête d'impression incorrecte ou inégale.	Utilisez la valeur de pression minimale permettant d'obtenir une bonne qualité d'impression. Voir <i>Réglage de la pression de la tête d'impression et de la position des leviers</i> à la page 199.
	Le papier n'est pas correctement chargé. Il oscille d'un côté à l'autre.	Assurez-vous que le papier est correctement placé en ajustant le guide ou faites appel à un technicien de maintenance.
	La tête d'impression ou le contre-rouleau sont peut-être mal installés.	Faites appel à un technicien de maintenance.

<b>Problèmes de détection du ruban</b>		
<i>Problème</i>	<i>Cause possible</i>	<i>Solution recommandée</i>
L'imprimante ne détecte pas qu'il ne reste plus de ruban.	Il se peut que l'imprimante ait été calibrée sans ruban ou que celui-ci ne soit pas chargé correctement.	<ol style="list-style-type: none"> <li>1. Vérifiez que le ruban est chargé de façon à pouvoir être détecté par la cellule ruban. Le ruban doit être tiré le plus en arrière possible sous la tête d'impression, près du tablier de l'imprimante. Voir <i>Chargement du ruban</i> à la page 58.</li> <li>2. Calibrez l'imprimante. Voir <i>Calibrage des cellules ruban et papier</i> à la page 193.</li> </ol>
En mode de transfert thermique, l'imprimante ne détecte pas le ruban, qui est pourtant chargé correctement.		
Elle indique que le ruban est épuisé même s'il est correctement chargé.	L'imprimante n'a pas été calibrée pour l'étiquette et le ruban utilisés.	Calibrez l'imprimante. Voir <i>Calibrage des cellules ruban et papier</i> à la page 193.

## Problèmes RFID

Pour plus d'informations sur la RFID, reportez-vous au *RFID Programming Guide 3* (guide de programmation RFID 3). Vous trouverez une copie de ce manuel à l'adresse : <http://www.zebra.com/manuals>.

L'imprimante s'arrête au niveau du marqueur RFID		
Problème	Cause possible	Solution recommandée
L'imprimante s'arrête au niveau du marqueur RFID.	L'imprimante a calibré la longueur d'étiquette en fonction du marqueur RFID et non de l'espace inter-étiquette.	<ol style="list-style-type: none"> <li>Sélectionnez AVANCE pour les paramètres MISE SS TENSION et FERMETURE TÊTE (voir <i>ACTION DÉMARRAGE</i> à la page 123 ou <i>ACTION FERM TÊTE</i> à la page 124).</li> <li>Calibrez manuellement l'imprimante (voir <i>Calibrage des cellules ruban et papier</i> à la page 193).</li> </ol>
Étiquettes vides		
Problème	Cause possible	Solution recommandée
Faible rendement. Trop d'étiquettes RFID par rouleau sont vides.	Les étiquettes RFID ne correspondent pas aux spécifications pour l'imprimante. Autrement dit, le transpondeur n'est pas dans une zone dans laquelle la programmation peut se dérouler correctement.	Assurez-vous que les étiquettes répondent aux spécifications de positionnement du transpondeur pour votre imprimante. Visitez le site <a href="http://www.zebra.com/transponders">http://www.zebra.com/transponders</a> pour obtenir des informations sur le positionnement du transpondeur.  Pour plus d'informations, consultez le <i>RFID Programming Guide 3</i> (guide de programmation RFID 3) ou contactez un revendeur Zebra RFID agréé.
	Niveaux de puissance de lecture et d'écriture RFID incorrects.	Changez les niveaux de puissance de lecture et d'écriture RFID. Pour obtenir les instructions, consultez le manuel <i>RFID Programming Guide 3</i> (Guide de programmation RFID 3).
	Interférence RF (fréquence radio) depuis une autre source RF.	Effectuez une ou plusieurs des opérations suivantes : <ul style="list-style-type: none"> <li>Éloignez l'imprimante des lecteurs RFID fixes.</li> <li>Assurez-vous que le panneau d'accès aux supports reste fermé pendant toute la durée de la programmation RFID.</li> </ul>
	L'imprimante utilise des versions de microprogramme obsolètes pour l'imprimante et le lecteur.	Visitez le site <a href="http://www.zebra.com/firmware">http://www.zebra.com/firmware</a> pour vous procurer les microprogrammes à jour.




<b>Étiquettes vides (suite)</b>		
<i>Problème</i>	<i>Cause possible</i>	<i>Solution recommandée</i>
Les étiquettes imprimées par l'imprimante contiennent des vides.	L'imprimante n'a pas été calibrée pour le papier utilisé.	Calibrez manuellement l'imprimante (voir <i>Calibrage des cellules ruban et papier à la page 193</i> ).
	Le type d'étiquette RFID que vous utilisez n'est pas pris en charge par votre imprimante.	Ces imprimantes n'acceptent que les étiquettes RFID Gen 2. Pour plus d'informations, consultez le <i>RFID Programming Guide 3</i> (guide de programmation RFID 3) ou contactez un revendeur Zebra RFID agréé.
	L'imprimante ne parvient pas à communiquer avec le lecteur RFID.	<ol style="list-style-type: none"> <li>1. Mettez l'imprimante hors tension (O).</li> <li>2. Attendez 10 secondes.</li> <li>3. Mettez l'imprimante sous tension (position I).</li> <li>4. Si le problème persiste, il est possible que le lecteur RFID soit défectueux ou que la connexion entre le lecteur RFID et l'imprimante soit incorrecte. Contactez l'assistance technique ou un technicien de maintenance RFID Zebra agréé.</li> </ol>
	Interférence RF (fréquence radio) depuis une autre source RF.	<p>Effectuez une ou plusieurs des opérations suivantes :</p> <ul style="list-style-type: none"> <li>• Éloignez l'imprimante des lecteurs RFID fixes ou des autres sources RF.</li> <li>• Assurez-vous que le panneau d'accès aux supports reste fermé pendant toute la durée de la programmation RFID.</li> </ul>
	Les paramètres de votre logiciel de conception d'étiquettes sont incorrects.	Les paramètres du logiciel sont prioritaires sur ceux de l'imprimante. Assurez-vous que les paramètres du logiciel et de l'imprimante correspondent.
	Vous utilisez une position de programmation incorrecte, notamment si les étiquettes utilisées sont conformes aux spécifications de l'imprimante.	<p>Effectuez une ou plusieurs des opérations suivantes :</p> <ul style="list-style-type: none"> <li>• Vérifiez la position de programmation RFID ou la position de programmation définie dans votre logiciel de conception d'étiquettes. Si la position est incorrecte, modifiez-la.</li> <li>• Restaurez la position de programmation RFID sur la valeur par défaut.</li> </ul> <p>Pour obtenir plus d'informations, consultez le manuel <i>RFID Programming Guide 3</i> (Guide de programmation RFID 3). Pour obtenir des informations sur le positionnement du transpondeur, consultez le site <a href="http://www.zebra.com/transponders">http://www.zebra.com/transponders</a>.</p>
	Vous envoyez des commandes ZPL RFID ou SGD incorrectes.	Vérifiez vos formats d'étiquettes. Pour obtenir plus d'informations, consultez le manuel <i>RFID Programming Guide 3</i> (Guide de programmation RFID 3).

<b>Autres problèmes RFID</b>		
<i>Problème</i>	<i>Cause possible</i>	<i>Solution recommandée</i>
Les paramètres RFID ne s'affichent pas en mode Configuration et les informations RFID n'apparaissent pas sur l'étiquette de configuration de l'imprimante.	L'imprimante a été mise hors tension ( <b>O</b> ), puis de nouveau sous tension ( <b>I</b> ) trop rapidement pour permettre une initialisation correcte du lecteur RFID.	Après une mise hors tension, attendez au moins 10 secondes avant de remettre l'imprimante sous tension. <ol style="list-style-type: none"> <li>1. Mettez l'imprimante hors tension (<b>O</b>).</li> <li>2. Attendez 10 secondes.</li> <li>3. Mettez l'imprimante sous tension (position <b>I</b>).</li> <li>4. Vérifiez les paramètres RFID en mode Configuration ou les informations RFID sur une nouvelle étiquette de configuration.</li> </ol>
L'imprimante n'annule pas les étiquettes RFID qui ne sont pas programmées correctement.	Une version incorrecte de l'imprimante ou du microprogramme du lecteur a été chargée sur l'imprimante.	<ol style="list-style-type: none"> <li>1. Vérifiez que la version du microprogramme chargée sur votre imprimante est correcte. Pour obtenir plus d'informations, consultez le manuel <i>RFID Programming Guide 3</i> (Guide de programmation RFID 3).</li> <li>2. Si nécessaire, téléchargez la version correcte du microprogramme de l'imprimante ou du lecteur.</li> <li>3. Si le problème persiste, contactez l'assistance technique.</li> </ol>
	L'imprimante ne parvient pas à communiquer avec le lecteur RFID.	<ol style="list-style-type: none"> <li>1. Mettez l'imprimante hors tension (<b>O</b>).</li> <li>2. Attendez 10 secondes.</li> <li>3. Mettez l'imprimante sous tension (position <b>I</b>).</li> <li>4. Si le problème persiste, il est possible que le lecteur RFID soit défectueux ou que la connexion entre le lecteur RFID et l'imprimante soit incorrecte. Contactez l'assistance technique ou un technicien de maintenance agréé.</li> </ol>
Le voyant DATA (Données) clignote indéfiniment après une tentative de téléchargement du microprogramme de l'imprimante ou du lecteur.	Le téléchargement n'a pas abouti. Pour obtenir de meilleurs résultats, mettez l'imprimante hors tension, puis de nouveau sous tension, avant de télécharger un microprogramme.	<ol style="list-style-type: none"> <li>1. Mettez l'imprimante hors tension (<b>O</b>).</li> <li>2. Attendez 10 secondes.</li> <li>3. Mettez l'imprimante sous tension (position <b>I</b>).</li> <li>4. Faites une nouvelle tentative de téléchargement du microprogramme.</li> <li>5. Si le problème persiste, contactez l'assistance technique.</li> </ol>

## Problèmes de communication

<b>Formats d'étiquette non reconnus</b>		
<i>Problème</i>	<i>Cause possible</i>	<i>Solution recommandée</i>
<b>Le format d'étiquette envoyé à l'imprimante n'a pas été reconnu. Le voyant DATA (Données) ne clignote pas.</b>	Les paramètres de communication sont incorrects.	Vérifiez les paramètres de communication du pilote ou du logiciel de l'imprimante (s'il y a lieu) définis pour votre connexion. Vous pouvez, si vous le souhaitez, réinstaller le pilote de l'imprimante en suivant les instructions de la section <i>Installation du pilote d'impression et connexion de l'imprimante à l'ordinateur</i> à la page 62.
		Si vous utilisez une communication série, vérifiez les paramètres du port série. Voir <i>PORTS</i> à la page 103.
		Dans le cas des communications série, veillez à utiliser un câble ou un adaptateur simulateur de modem.
		Vérifiez le paramètre du protocole d'établissement de liaison de l'imprimante. Celui-ci doit correspondre à celui utilisé par l'ordinateur hôte. Voir <i>PROTOCOLE SYSTEM</i> à la page 185.
<b>Le format d'étiquette envoyé à l'imprimante n'a pas été reconnu. Le voyant DATA (Données) clignote mais aucune impression n'est effectuée.</b>	Les caractères de préfixe et de délimitation définis au niveau de l'imprimante ne correspondent pas à ceux définis dans le format de l'étiquette.	Vérifiez les caractères de préfixe et de délimitation. Voir <i>CAR. COMMANDE</i> à la page 173 et <i>CAR SEPARATEUR</i> à la page 175.
	Des données incorrectes sont transmises à l'imprimante.	Vérifiez les paramètres de communication définis sur l'ordinateur. Assurez-vous qu'ils correspondent aux paramètres de l'imprimante.  Si le problème persiste, vérifiez le format de l'étiquette.
<b>Les étiquettes ne s'impriment plus correctement</b>		
<i>Problème</i>	<i>Cause possible</i>	<i>Solution recommandée</i>
<b>Un format d'étiquette a été envoyé à l'imprimante. Plusieurs étiquettes s'impriment, puis l'imprimante saute, positionne incorrectement ou déforme l'image sur l'étiquette.</b>	Les paramètres de communication série sont incorrects.	Vérifiez que les paramètres de contrôle de flux correspondent.
		Vérifiez la longueur du câble de communication. Pour plus d'informations sur les équipements de communication requis, reportez-vous à la section <i>Spécifications générales</i> à la page 278.
		Vérifiez les paramètres de communication du pilote ou du logiciel de l'imprimante (s'il y a lieu).

## Problèmes divers

Problèmes avec l'écran		
<i>Problème</i>	<i>Cause possible</i>	<i>Solution recommandée</i>
La langue utilisée dans l'écran du panneau de commande ne m'est pas familière.	Le paramètre de langue a été modifié via le panneau de commande ou une commande du microprogramme.	<ol style="list-style-type: none"> <li>1. Sur l'écran du panneau de commande, accédez au menu LANGAGE. </li> <li>2. Cliquez sur OK pour afficher les éléments de ce menu.</li> <li>3. Appuyez sur la flèche vers le haut ou vers le bas pour faire défiler les différentes langues sous la première option du menu. Les sélections proposées pour ce paramètre sont affichées dans la langue correspondante afin de faciliter le choix de la langue que vous pouvez lire.</li> <li>4. Sélectionnez la langue dans laquelle vous souhaitez que les éléments soient affichés.</li> </ol>
Certains caractères ou certaines parties de caractère ne sont pas visibles sur l'écran.	Il peut être nécessaire de remplacer l'écran.	Faites appel à un technicien de maintenance.
Le port USB ne reconnaît pas un périphérique USB		
<i>Problème</i>	<i>Cause possible</i>	<i>Solution recommandée</i>
L'imprimante ne reconnaît pas un périphérique USB ou ne lit pas les fichiers stockés sur un périphérique USB connecté sur le port USB.	L'imprimante prend en charge des périphériques USB ayant une capacité jusqu'à 1 To.	Utilisez un périphérique d'une capacité inférieure ou égale à 1 To.
	Le périphérique devra peut-être être alimenté par une source externe.	Si votre périphérique USB requiert une alimentation externe, assurez-vous qu'il est connecté à une prise en état de marche.
Les paramètres de l'imprimante ne sont pas définis correctement		
<i>Problème</i>	<i>Cause possible</i>	<i>Solution recommandée</i>
Les modifications apportées aux valeurs des paramètres n'ont pas été appliquées. OU Certains paramètres ont été modifiés de manière inattendue.	<p>Du fait d'une commande ou d'une valeur du microprogramme, il est désormais impossible de modifier ce paramètre.</p> <p>Une commande dans un format d'étiquette a réaffecté au paramètre sa valeur précédente.</p>	<p>Vérifiez les formats d'étiquettes ou les paramètres du logiciel utilisés pour envoyer les formats à l'imprimante.</p> <p>C'est nécessaire, consultez le guide de programmation intitulé <i>Programming Guide for ZPL, ZBI, Set-Get-Do, Mirror, and WML</i> ou faites appel à un technicien de maintenance.</p>

Modification de l'adresse IP		
<i>Problème</i>	<i>Cause possible</i>	<i>Solution recommandée</i>
<p>Mon imprimante réaffecte une nouvelle adresse IP au serveur d'impression lorsqu'elle a été désactivée pendant un certain temps.</p>	<p>En raison de vos paramètres réseau, le réseau affecte une nouvelle adresse IP</p>	<p>Si la modification des adresses IP de l'imprimante est un problème, suivez cette procédure pour lui affecter une adresse IP statique :</p> <ol style="list-style-type: none"> <li>1. Identifiez les valeurs à affecter à l'adresse IP, au masque de sous-réseau et à la passerelle pour votre serveur d'impression (câblé, sans fil, ou les deux).</li> <li>2. Définissez la valeur du protocole IP approprié sur PERMANENT. Reportez-vous à la section <i>PROTOCOLE IP CÂBLÉ</i> à la page 147 ou <i>PROTOCOLE IP WLAN</i> à la page 152.</li> <li>3. Modifiez les valeurs de l'adresse IP, du masque ce réseau et de la passerelle pour le serveur d'impression appropriée telles que vous souhaitez les conserver.</li> </ol> <p>Câblé :</p> <p><i>ADRESSE IP CÂBLÉE</i> à la page 144  <i>MASQ SS-RÉS CÂBLÉ</i> à la page 145  <i>PASSER. CÂBLÉE</i> à la page 146</p> <p>Sans fil :</p> <p><i>ADRESSE IP WLAN</i> à la page 149  <i>MASQ SS-RÉS WLAN</i> à la page 150  <i>PASSERELLE WLAN</i> à la page 151</p> <ol style="list-style-type: none"> <li>4. Réinitialisez le réseau (<i>REINITIAL. CARTE</i> à la page 159) pour enregistrer les modifications.</li> </ol>

**Problèmes de calibrage**

<i>Problème</i>	<i>Cause possible</i>	<i>Solution recommandée</i>
Échec du calibrage automatique	Le papier ou le ruban n'est pas chargé correctement.	Veillez à un chargement correct. Voir <a href="#">Chargement du ruban à la page 58</a> et <a href="#">Chargement du papier à la page 32</a> .
	Les détecteurs n'ont pas détecté le papier ou le ruban.	Calibrez l'imprimante manuellement. Voir <a href="#">Calibrage des cellules ruban et papier à la page 193</a> .
	Les détecteurs sont sales ou mal positionnés.	Veillez à leur propreté et à leur positionnement correct.
	Le type de papier n'est pas défini correctement.	Définissez le type de papier approprié pour l'imprimante (espace/encoche, continu ou marque). Voir <a href="#">TYPE MEDIA à la page 106</a> .
Les étiquettes non continues sont traitées comme des étiquettes continues.	L'imprimante n'a pas été calibrée pour le papier utilisé.	Calibrez l'imprimante. Voir <a href="#">Calibrage des cellules ruban et papier à la page 193</a> .
	L'imprimante est configurée pour le papier continu.	Définissez le type de papier approprié pour l'imprimante (espace/encoche, continu ou marque). Voir <a href="#">TYPE MEDIA à la page 106</a> .

**Blocage de l'imprimante**

<i>Problème</i>	<i>Cause possible</i>	<i>Solution recommandée</i>
Tous les voyants sont allumés, mais aucun message n'apparaît sur l'écran et l'imprimante est bloquée.	Défaillance électronique ou du microprogramme interne.	Éteignez, puis rallumez l'imprimante. Si le problème persiste, faites appel à un technicien de maintenance.
L'imprimante se bloque au démarrage.	Défaillance de la carte logique principale.	

# Utilisation des ports USB et de la technologie NFC

Dans cette section, vous découvrirez comment utiliser les ports USB de votre imprimante Zebra et la technologie Near Field Communication (NFC) dont elle est dotée. Les informations sont présentées sous forme d'exercices, certaines commandes SGD sont répertoriées pour les utilisateurs avancés.



**Remarque** • Vous n'êtes pas tenu de terminer ces exercices qui peuvent nécessiter l'utilisation de plusieurs étiquettes pendant l'impression. Ces informations entendent vous apprendre le fonctionnement des ports USB et de la technologie NFC.

## Sommaire

Éléments requis pour les exercices . . . . .	264
Fichiers pour les exercices . . . . .	264
Hôte USB . . . . .	267
Exercice 1 : Copie de fichiers sur une clé USB et duplication USB . . . . .	268
Exercice 2 : Impression d'un format d'étiquette à partir d'une clé USB . . . . .	270
Exercice 3 : Copie de fichiers vers/à partir d'une clé USB . . . . .	271
Exercice 4 : Saisie de données pour un fichier stocké avec un clavier USB et impression d'une étiquette . . . . .	273
Near Field Communication (NFC, communication en champ proche) . . . . .	274
Exercice 5 : Saisie de données pour un fichier stocké avec un périphérique intelligent et impression d'une étiquette . . . . .	275

## Éléments requis pour les exercices

Pour effectuer les exercices proposés dans ce document, vous aurez besoin des éléments suivants :

- une clé USB n'excédant pas 1 To (téraoctet) ; l'imprimante ne reconnaîtra pas les clés de taille supérieure à 1 To ;
- un clavier USB ;
- les divers fichiers joints ci-dessous ;
- l'application gratuite Zebra Utilities pour votre smartphone (recherchez Zebra Tech dans le magasin d'applications Google Play).

## Fichiers pour les exercices

La plupart des fichiers dont vous avez besoin pour effectuer les exercices de cette section sont disponibles ci-dessous. Copiez ces fichiers sur votre ordinateur avant de commencer les exercices. Lorsque c'est possible, le contenu des fichiers est affiché. Le contenu codé des fichiers, qui ne peut pas être affiché en tant que texte ou image, n'est pas inclus.

### Fichier 1 : ZEBRA.BMP



### Fichier 2 : SAMPLELABEL.TXT

```
^XA
^F0100,75^XGE:zebra.bmp^FS
^F0100,475^A0N,50,50^FDMirror from USB
Completed^FS
^XZ
```

Ce format d'étiquette simple permet d'imprimer le logo Zebra ainsi qu'une ligne de texte à la fin de l'exercice de duplication.



### Fichier 3 : LOGO.ZPL

### Fichier 4 : USBSTOREDFILE.ZPL

```

CT~CD,~CC^~CT~
^XA~TA012~JSN^LT0^LH0,0^JMA^PR4,4~SD15^LRN^CI0^XZ
~DG000.GRF,07680,024,,[image data]
^XA
^LS0
^SL0
^BY3,3,91^FT35,250^BCN,,Y,N^FC%,{,#{^FD%d/%m/%Y^FS
^FT608,325^XG000.GRF,1,1^FS
^FT26,75^A0N,28,28^FH\^FDThis label was printed from a
format stored^FS
^FT26,125^A0N,28,28^FH\^FDOn a USB Flash Memory drive. ^FS
^BY3,3,90^FT33,425^BCN,,Y,N
^FD>:Zebra Technologies^FS
^PQ1,0,1,Y^XZ
^XA^ID000.GRF^FS^XZ
    
```

Ce format d'étiquette permet d'imprimer une image et du texte. Ce fichier sera stocké sur le périphérique mémoire USB au niveau racine afin de pouvoir être imprimé.

### Fichier 5 : VLS\_BONKGRF.ZPL

### Fichier 6 : VLS\_EIFFEL.ZPL

### Fichier 7 : KEYBOARDINPUT.ZPL

```

^XA
^CI28
^BY2,3,91^FT38,184^BCN,,Y,N^FC%,{,#{^FD%d/%m/%Y^FS
^F0385,75^XGE:zebra.bmp^FS
^FT40,70^A0N,28,28^FH\^FDThis label was printed using a
keyboard input. ^FS
^FT35,260^A0N,28,28^FH\^FDThis label was printed by:^FS
^FT33,319^A0N,28,28^FN1"Enter Name"^FS
^XZ
    
```

Ce format d'étiquette, utilisé pour l'exercice de saisie sur clavier USB, offre les possibilités suivantes :

- création d'un code à barres comprenant la date du jour, basé sur votre paramètre RTC d'horloge en temps réel ;
- impression du logo graphique Zebra ;
- impression de texte fixe ;
- **^FN** vous invite à saisir votre nom et l'imprimante imprime votre saisie.

### Fichier 8 : SMARTDEVINPUT.ZPL

```
^XA
^CI28
^BY2,3,91^FT38,184^BCN,,Y,N^FC%,{,#{^FD%d/%m/%Y^FS
^F0385,75^XGE:zebra.bmp^FS
^FT40,70^A0N,28,28^FH\^FDThis label was printed using a
smart device input. ^FS
^FT35,260^A0N,28,28^FH\^FDThis label was printed by:^FS
^FT33,319^A0N,28,28^FN1"Enter Name"^FS^XZ
```

Le même format d'étiquette que le précédent, seule l'impression du texte diffère. Ce format est utilisé pour l'exercice de saisie à partir d'un périphérique intelligent.

### Fichier 9 : Fichier de microprogramme

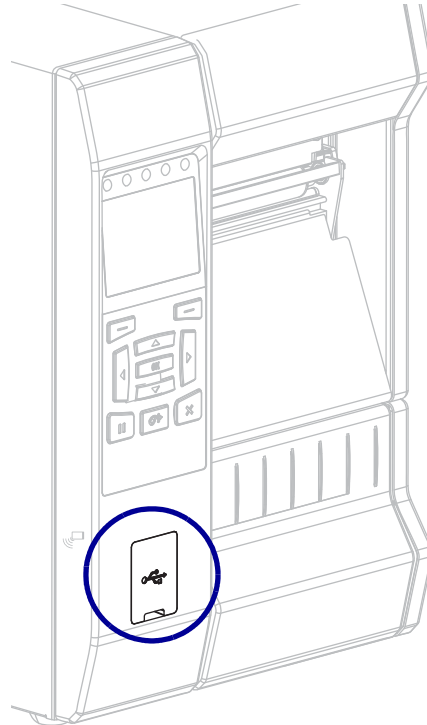
Si vous le souhaitez, vous pouvez télécharger un fichier de microprogramme pour votre imprimante et le copier sur votre ordinateur pour l'utiliser pendant les exercices. Vous pouvez aussi ignorer cette consigne.

Le dernier fichier de microprogramme en date est disponible sur le site <http://www.zebra.com/firmware>.

## Hôte USB

Les ports USB vous permettent de connecter des périphériques USB (tel qu'un clavier, un scanner ou une clé USB) à l'imprimante. Les exercices proposés dans cette section vous expliquent comment effectuer une duplication USB, transférer des fichiers vers et à partir de l'imprimante, fournir les informations demandées puis imprimer une étiquette reprenant ces informations.

**Figure 23 • Emplacement du port USB**

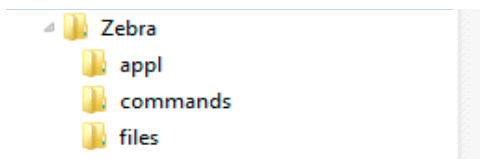


**Important** • Lorsque vous utilisez les ports USB, les fichiers doivent être nommés avec 1 à 16 caractères alphanumériques uniquement (A, a, B, b, C, c, ..., 0, 1, 2, 3, ...). N'utilisez pas de caractères asiatiques, cyrilliques, ni de caractères accentués dans les noms des fichiers.

Certaines fonctions risquent de ne pas fonctionner correctement si un nom de fichier contient des traits de soulignement. Utilisez plutôt des points.

## Exercice 1 : Copie de fichiers sur une clé USB et duplication USB

1. Sur votre clé USB, créez :



- un dossier intitulé **Zebra**
  - dans ce dossier, trois sous-dossiers :
    - **appl**
    - **commands**
    - **files**
2. Dans le dossier **/appl**, placez une copie du dernier microprogramme en date pour votre imprimante.



**Remarque** • Certaines fonctions risquent de ne pas fonctionner correctement si un nom de fichier contient des traits de soulignement. Utilisez plutôt des points.

3. Dans le dossier **/files**, placez le fichier suivant :
  - **Fichier 1 : ZEBRA.BMP**
4. Dans le dossier **/commands**, placez les fichiers suivants :
  - **Fichier 2 : SAMPLELABEL.TXT**
  - **Fichier 3 : LOGO.ZPL**
5. Insérez la clé USB dans un port USB situé à l'avant de votre imprimante.
6. Observez le panneau de commande et patientez.

Voici ce que vous devriez constater :

- Si le microprogramme présent sur la clé USB est différent de celui de l'imprimante, le microprogramme est téléchargé vers l'imprimante. L'imprimante redémarre alors et imprime une étiquette de configuration de l'imprimante. (Si la clé USB ne contient pas de microprogramme ou que la version du microprogramme est identique, l'imprimante ignore cette action.)
  - L'imprimante télécharge les fichiers dans le dossier **/files** et affiche rapidement à l'écran les noms des fichiers en cours de téléchargement.
  - L'imprimante exécute tous les fichiers présents dans le dossier **/commands**.
  - L'imprimante redémarre puis affiche le message **MIRROR PROCESSING FINISHED** (Traitement de la duplication terminé).
7. Retirez la clé USB de l'imprimante.

## Exercice 1 : Informations pour les utilisateurs experts

Pour plus d'informations sur ces commandes, consultez le manuel *Zebra® Programming Guide* (Guide de programmation Zebra).

### Activer/désactiver la duplication :

```
! U1 setvar "usb.mirror.enable" "value"
```

Valeurs : "on" ou "off"

### Activer/désactiver la duplication automatique qui se produit lorsqu'une clé USB est insérée dans le port USB :

```
! U1 setvar "usb.mirror.auto" "value"
```

Valeurs : "on" ou "off"

### Spécifier un nombre de répétitions de l'opération de duplication en cas d'échec :

```
! U1 setvar "usb.mirror.error_retry" "value"
```

Valeurs : 0 à 65535

### Modifier le chemin d'accès à l'emplacement sur le périphérique USB à partir duquel les fichiers dupliqués sont récupérés :

```
! U1 setvar "usb.mirror.appl_path" "new_path"
```

Valeur par défaut : "zebra/appl"

### Modifier le chemin d'accès à l'emplacement sur l'imprimante à partir duquel les fichiers dupliqués sont récupérés :

```
! U1 setvar "usb.mirror.path" "path"
```

Valeur par défaut : "zebra"



### Activer/désactiver la possibilité d'utiliser le port USB :

```
! U1 setvar "usb.host.lock_out" "value"
```

Valeurs : "on" ou "off"

## Exercice 2 : Impression d'un format d'étiquette à partir d'une clé USB

L'option **IMPR. FICHER USB** vous permet d'imprimer des fichiers à partir d'un périphérique USB de stockage de masse, tel qu'une clé USB. Seuls les fichiers imprimables (.ZPL et .XML) peuvent être imprimés à partir du périphérique USB de stockage de masse, et ils doivent se trouver au niveau racine, pas dans un répertoire.

1. Copiez les fichiers suivants sur votre clé USB :
  - Fichier 4 : [USBSTOREDFILE.ZPL](#)
  - Fichier 5 : [VLS\\_BONKGRF.ZPL](#)
  - Fichier 6 : [VLS\\_EIFFEL.ZPL](#)
2. Insérez la clé USB dans un port USB situé à l'avant de votre imprimante.
3. Sur le panneau de commande de l'imprimante, appuyez sur le bouton gauche de sélection (sous l'icône Accueil ) pour accéder au menu Accueil de l'imprimante.
4. Utilisez les boutons flèches pour accéder au menu Outils. 
5. Appuyez sur OK.
6. Utilisez les boutons flèches pour accéder à l'option **IMPR. FICHER USB**.




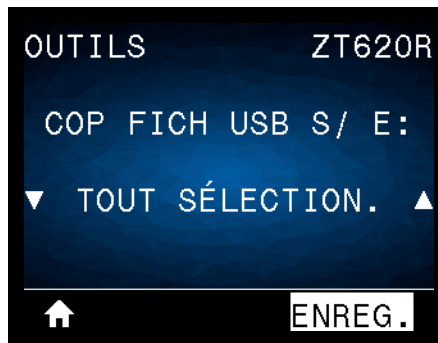
L'imprimante charge et traite les fichiers exécutables. Les fichiers disponibles sont répertoriés. L'option **TOUT SÉLECTION.** (Sélectionner tout) permet d'imprimer tous les fichiers présents sur la clé USB.

7. Si nécessaire, appuyez sur la flèche vers le haut ou vers le bas pour sélectionner [USBSTOREDFILE.zpl](#).
8. Appuyez sur le bouton droit de sélection afin de sélectionner **IMPRIME**.  
L'étiquette s'imprime.

### Exercice 3 : Copie de fichiers vers/à partir d'une clé USB

L'option IMPR. FICHIER USB vous permet d'imprimer des fichiers à partir d'un périphérique USB de stockage de masse vers le lecteur de mémoire Flash E : de l'imprimante.

1. Copiez les fichiers suivants vers le répertoire racine de votre clé USB. Ne les placez pas dans un sous-dossier.
  - Fichier 7 : [KEYBOARDINPUT.ZPL](#)
  - Fichier 8 : [SMARTDEVINPUT.ZPL](#)
2. Insérez la clé USB dans un port USB situé à l'avant de votre imprimante.
3. Sur le panneau de commande de l'imprimante, appuyez sur le bouton gauche de sélection pour accéder au menu Accueil de l'imprimante.
4. Utilisez les boutons flèches pour accéder au menu Outils. 
5. Appuyez sur OK.
6. Utilisez les boutons flèches pour accéder à l'option **COP FICH USB S/ E :**

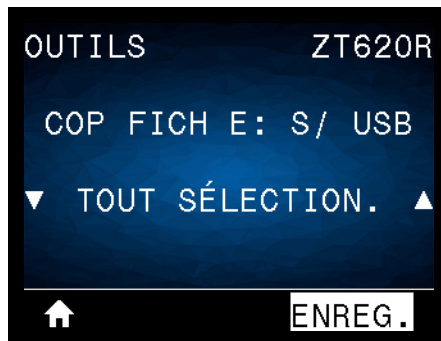


L'imprimante charge et traite les fichiers exécutables. Les fichiers disponibles sont répertoriés. L'option **TOUT SÉLECTION.** permet de copier tous les fichiers disponibles à partir de la clé USB.

7. Si nécessaire, appuyez sur la flèche vers le haut ou vers le bas pour sélectionner le fichier [STOREFMT.ZPL](#).
8. Appuyez sur le bouton droit de sélection afin de sélectionner **ENREG.**  
L'imprimante stocke le fichier dans la mémoire E : . Tous les noms de fichiers sont convertis en majuscules.
9. Répétez cette procédure pour sélectionner le fichier [STOREFMTM1.ZPL](#).
10. Appuyez sur le bouton droit de sélection afin de sélectionner **ENREG.**  
L'imprimante stocke le fichier dans la mémoire E : .

11. Retirez la clé USB du port USB.

REMARQUE : Vous pouvez maintenant copier ces fichiers de l'imprimante à la clé USB en utilisant l'option du menu utilisateur **COP FICH E: S/ USB**.




L'option **TOUT SÉLECTION**, permet de stocker tous les fichiers de l'imprimante sur la clé USB. Tout fichier .ZPL copié sera post-traité afin que son contenu soit adapté à un envoi vers une imprimante pour une exécution normale.



## Exercice 4 : Saisie de données pour un fichier stocké avec un clavier USB et impression d'une étiquette

La fonction Poste d'impression vous permet d'utiliser un périphérique HID (Human Input Device, périphérique d'interface avec l'utilisateur), tel qu'un clavier USB ou un lecteur de code à barres, pour saisir les données de champ ^FN dans un fichier modèle \*.ZPL.

1. Après avoir terminé l'exercice précédent, connectez un clavier USB à un port USB.
2. Utilisez les boutons flèches pour accéder au menu Outils. 
3. Appuyez sur OK.
4. Utilisez les boutons flèches pour accéder à l'option **POSTE D'IMPRESSION**.



L'imprimante charge et traite les fichiers exécutables. Les fichiers disponibles sont répertoriés.

5. Si nécessaire, appuyez sur la flèche vers le haut ou vers le bas pour sélectionner le fichier **KEYBOARDINPUT.ZPL**.
6. Appuyez sur le bouton droit de sélection afin de sélectionner **SÉLECTIONNER**.  
L'imprimante accède au fichier et vous devez renseigner les informations dans les champs ^FN du fichier. Dans ce cas, vous devez saisir votre nom.
7. Saisissez votre nom, puis appuyez sur <ENTER> (Entrée).  
L'imprimante vous invite à saisir le nombre d'étiquettes à imprimer.
8. Indiquez la quantité désirée, puis appuyez à nouveau sur <ENTER> (Entrée).  
Le nombre d'étiquettes indiqué est imprimé, avec votre nom dans le champ approprié.

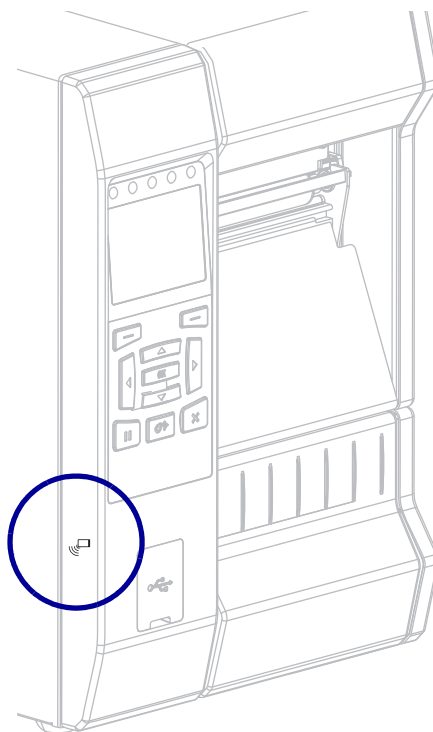
## Near Field Communication (NFC, communication en champ proche)

Grâce à la fonction Print Touch™ de Zebra, il suffit d'effleurer le logo NFC de l'imprimante (Figure 24) avec un appareil Android™ avec NFC activée (tel qu'un smartphone ou une tablette) pour associer ce périphérique à l'imprimante. Cette fonctionnalité vous permet d'utiliser votre appareil pour fournir les informations demandées et imprimer une étiquette reprenant ces informations.



**Important** • Certains périphériques ne prennent pas en charge la communication NFC avec l'imprimante tant que vous ne modifiez pas leurs paramètres. Si vous rencontrez des difficultés, consultez votre fournisseur de services ou le fabricant de votre appareil pour plus d'informations.

**Figure 24 • Emplacement du logo NFC**



## Exercice 5 : Saisie de données pour un fichier stocké avec un périphérique intelligent et impression d'une étiquette



**Remarque** • Les étapes à suivre pour cet exercice peuvent varier en fonction de votre périphérique intelligent, de votre fournisseur de services et de l'éventuelle installation préalable de l'application gratuite Zebra Utilities sur votre appareil.

Reportez-vous au *Zebra Bluetooth User Guide* (guide d'utilisation Bluetooth Zebra) pour savoir comment configurer votre imprimante afin qu'elle utilise une interface Bluetooth. Vous trouverez une copie de ce manuel à l'adresse : <http://www.zebra.com/manuals>.

1. Si l'application Zebra Utilities n'est pas encore installée sur votre périphérique, accédez au magasin d'applications de votre appareil, recherchez l'application Zebra Utilities et installez-la.
2. Associez votre périphérique intelligent à l'imprimante en le positionnant à proximité du logo NFC de l'imprimante.
  - a. Si nécessaire, accédez aux informations Bluetooth de l'imprimante à l'aide de votre périphérique intelligent. Pour plus d'instructions, reportez-vous à la documentation du fabricant de votre appareil.
  - b. Si nécessaire, sélectionnez le numéro de série de l'imprimante Zebra pour l'associer à l'appareil.
  - c. Une fois que l'imprimante a détecté votre périphérique intelligent, il est possible qu'elle vous demande d'accepter ou de refuser la mise en relation. Si nécessaire, appuyez sur le bouton gauche de sélection de l'imprimante pour sélectionner **ACCEPTER**. Certains périphériques intelligents s'associent à l'imprimante sans passer par cette demande.



L'imprimante et votre appareil sont associés.

3. Démarrez l'application Zebra Utilities sur votre périphérique.  
Le menu d'accueil de Zebra Utilities s'affiche.



4. Suivez cette procédure si vous avez un périphérique Apple :
  - a. Appuyez sur l'icône Settings (Paramètres) dans le coin inférieur droit.
  - b. Passez le paramètre **Get Labels From Printer** (Obtenir les étiquettes de l'imprimante) sur **ON** (Activé).
  - c. Appuyez sur Done (Terminé).
5. Appuyez sur Files (Fichiers).  
Le périphérique intelligent obtient des données de l'imprimante et les affiche.



**Remarque** • Ce processus de récupération peut prendre quelques minutes.

6. Faites défiler les formats affichés et sélectionnez **E : SMARTDEVINPUT . ZPL**.  
Pour le champ **^FN** dans le format d'étiquette, le périphérique intelligent vous invite à saisir votre nom.
7. À l'invite, saisissez votre nom.
8. Modifiez la quantité des étiquettes à imprimer, si nécessaire.
9. Appuyez sur **PRINT** (Imprimer) pour imprimer l'étiquette.

# Spécifications

Cette section répertorie les spécifications générales relatives à l'imprimante, à l'impression, au ruban et au papier.

## Sommaire

Spécifications générales .....	278
Spécifications de l'alimentation .....	281
Spécifications du cordon d'alimentation .....	282
Spécifications de la connexion sans fil .....	283
Spécifications relatives à l'impression .....	284
Spécifications du papier .....	286
Spécifications du ruban .....	288

## Spécifications générales

		ZT610™	ZT620™
Hauteur		395,68 mm	395,68 mm
Largeur		268,2 mm	341,45 mm
Profondeur		505 mm	505 mm
Poids		22,7 kg (50 livres)	26 kg (57,4 livres)
Température	Fonctionnement	Transfert thermique : 5 à 40 °C (40 à 105 °F) Thermique direct : 0 à 40 °C (32 à 105 °F)	
	Stockage	-30 à 60 °C (-22 à 140 °F)	
Humidité relative	Fonctionnement	20 à 85 %, sans condensation	
	Stockage	20 à 85 %, sans condensation	
Spécifications des interfaces de communication	Standard	<p><b>Bluetooth® version 4.0</b> Limitations et conditions requises De nombreux appareils mobiles peuvent communiquer avec l'imprimante dans un rayon de 3 m (30 pieds). Connexion et configuration Reportez-vous au <i>Zebra Bluetooth User Guide</i> (guide d'utilisation Bluetooth Zebra) pour savoir comment configurer votre imprimante afin qu'elle utilise une interface Bluetooth. Vous trouverez une copie de ce manuel à l'adresse : <a href="http://www.zebra.com/manuals">http://www.zebra.com/manuals</a>.</p> <hr/> <p><b>Deux ports USB</b> Pour obtenir plus d'informations, reportez-vous à la section <i>Utilisation des ports USB et de la technologie NFC</i> à la page 263. Limitations et conditions requises Vous ne pouvez connecter qu'un seul périphérique dans chacun des deux ports USB de l'imprimante. Vous ne pouvez pas utiliser un troisième périphérique en le connectant à un port USB d'un des périphériques. Vous ne pouvez pas non plus utiliser d'adaptateur pour diviser un port USB de l'imprimante de sorte qu'il accepte plusieurs périphériques en même temps. Connexion et configuration Aucune configuration supplémentaire n'est nécessaire.</p>	
		(suite à la page suivante)	

		<b>ZT610™</b>	<b>ZT620™</b>
Interfaces de communication (suite)	Standard (suite)	<p><b>Zebra PrintTouch/Near Field Communication (NFC)</b>            Pour obtenir plus d'informations, reportez-vous à la section <i>Utilisation des ports USB et de la technologie NFC</i> à la page 263.</p> <p>Limitations et conditions requises            La communication NFC (communication en champ proche) doit être initiée en effleurant l'emplacement approprié sur l'imprimante avec votre périphérique.</p> <p>Connexion et configuration            Certains périphériques ne prennent pas en charge la communication NFC avec l'imprimante tant que vous ne modifiez pas leurs paramètres.</p> <hr/> <p><b>Interface de données USB 2.0</b>            Limitations et conditions requises</p> <ul style="list-style-type: none"> <li>• Longueur maximale du câble : 5 m (16,4 pieds)</li> </ul> <p>Connexion et configuration            Aucune configuration supplémentaire n'est nécessaire.</p> <hr/> <p><b>Serveur d'impression Ethernet câblé interne gigabit</b>            Limitations et conditions requises</p> <ul style="list-style-type: none"> <li>• L'imprimante doit être configurée pour utiliser le réseau local.</li> <li>• Un second serveur d'impression câblé peut être installé dans le logement d'option du bas.</li> </ul> <p>Connexion et configuration            Pour obtenir des instructions de configuration, reportez-vous au <i>Guide d'utilisation du serveur d'impression sans fil ZebraNet et du serveur d'impression sans fil Plus</i>. Vous trouverez une copie de ce manuel à l'adresse : <a href="http://www.zebra.com/manuals">http://www.zebra.com/manuals</a>.</p> <hr/> <p><b>Interface de données série RS-232/C</b></p> <ul style="list-style-type: none"> <li>• 2 400 à 115 000 bauds</li> <li>• parité, bits par caractère</li> <li>• 7 ou 8 bits de données</li> <li>• protocole XONXOFF, RTS/CTS ou DTR/DSR requis</li> <li>• 750 mA à 5 V de 1 à 9 broches</li> </ul> <p>Limitations et conditions requises</p> <ul style="list-style-type: none"> <li>• Si vous utilisez un câble de modem standard, vous devez connecter l'imprimante à l'aide d'un câble ou d'un adaptateur simulateur de modem.</li> <li>• Longueur maximale du câble : 15,24 m (50 pieds)</li> <li>• Vous devez peut-être modifier les paramètres de l'imprimante pour qu'ils correspondent à ceux de l'ordinateur hôte.</li> </ul> <p>Connexion et configuration            Le débit en bauds, le nombre de bits de données et d'arrêt, la parité, ainsi que le contrôle XON/XOFF ou DTR, doivent correspondre à ceux définis sur l'ordinateur hôte.</p>	

		ZT610™	ZT620™
Interfaces de communication (suite)	En option	<b>Serveur d'impression sans fil</b> Pour obtenir plus d'informations, reportez-vous à la section <i>Spécifications de la connexion sans fil</i> à la page 283. Limitations et conditions requises <ul style="list-style-type: none"> <li>• Peut imprimer sur l'imprimante à partir de n'importe quel ordinateur du réseau local sans fil (WLAN).</li> <li>• Peut communiquer avec l'imprimante via les pages web associées.</li> <li>• L'imprimante doit être configurée pour utiliser le réseau local sans fil.</li> <li>• Peut uniquement être installé dans le logement d'option du haut.</li> </ul> Configuration Pour obtenir des instructions de configuration, reportez-vous au <i>Guide d'utilisation du serveur d'impression sans fil ZebraNet et du serveur d'impression sans fil Plus</i> . Vous trouverez une copie de ce manuel à l'adresse : <a href="http://www.zebra.com/manuals">http://www.zebra.com/manuals</a> .	
		<b>Interface de données parallèle bidirectionnelle 1284 bits</b> Limitations et conditions requises <ul style="list-style-type: none"> <li>• Longueur maximale du câble : 3 m (10 pieds)</li> <li>• Longueur conseillée du câble : 1,83 m (6 pieds)</li> <li>• Il n'est pas nécessaire de modifier les paramètres de l'imprimante pour qu'ils correspondent à ceux de l'ordinateur hôte.</li> <li>• Peut être installé dans les logements d'option du haut ou du bas.</li> </ul> Connexion et configuration Aucune configuration supplémentaire n'est nécessaire.	
		<b>Interface d'aplicateur</b> avec connecteur DB15F	
		<b>Serveur d'impression externe ZebraNet 10/100</b> Requier l'option d'interface de données parallèle	
Mémoire		Mémoire DRAM 1 Go (32 Mo disponible pour l'utilisateur) Mémoire Flash 2 Go (512 Mo disponible pour l'utilisateur sur la mémoire intégrée)	



## Spécifications de l'alimentation

	ZT610™	ZT620™
Alimentation électrique	100 à 240 V c.a., 50 à 60 Hz	
Consommation électrique	120 V c.a., 60 Hz	
Appel de courant (Irms)	37	37,0
Consommation au repos (Watts)	7,8	8,2
Consommation au repos (VA)	13,9	17,5
Consommation en veille (Watts)	3	3,1
Consommation en veille (VA)	10,6	14,3
Consommation à l'impression (Watts)	122	128,0
Consommation à l'impression (VA)	130	156,0
Consommation électrique	230 V c.a., 50 Hz	
Appel de courant (Irms)	49	49,0
Consommation au repos (Watts)	7,5	7,9
Consommation au repos (VA)	26,9	35,6
Consommation en veille (Watts)	3,2	3,2
Consommation en veille (VA)	23,2	31,6
Consommation à l'impression (Watts)	120	127,0
Consommation à l'impression (VA)	134	156,0



## Spécifications de la connexion sans fil

Informations relatives à l'antenne	
<ul style="list-style-type: none"> <li>Type = planaire</li> <li>Gain = 3,66 dBi à 2,4 GHz</li> <li>Gain = 3,19 dBi à 5 GHz</li> <li>Impédance = 50 ohms</li> </ul>	
Spécifications WLAN	
<p>802.11 b</p> <ul style="list-style-type: none"> <li>2,4 GHz</li> <li>DSSS (DBPSK, DQPSK et CCK)</li> <li>Puissance des radiofréquences 17,77 dBm (EIRP)</li> </ul> <p>802.11 g</p> <ul style="list-style-type: none"> <li>2,4 GHz</li> <li>OFDM</li> </ul> <p>(16-QAM et 64-QAM avec BPSK et QPSK)</p> <ul style="list-style-type: none"> <li>Puissance des radiofréquences 18,61 dBm (EIRP)</li> </ul> <p>802.11 n</p> <ul style="list-style-type: none"> <li>2,4 GHz</li> <li>OFDM</li> </ul> <p>(16-QAM et 64-QAM avec BPSK et QPSK)</p> <ul style="list-style-type: none"> <li>Puissance des radiofréquences 18,62 dBm (EIRP)</li> </ul> <p>802.11 a/n</p> <ul style="list-style-type: none"> <li>5,15-5,25 GHz, 5,25-5,35 GHz, 5,47-5,725 GHz</li> <li>OFDM (16-QAM et 64-QAM avec BPSK et QPSK)</li> <li>Puissance des radiofréquences 17,89 dBm (EIRP)</li> </ul> <p>802.11 ac</p> <ul style="list-style-type: none"> <li>5,15-5,25 GHz, 5,25-5,35 GHz, 5,47-5,725 GHz</li> <li>OFDM (16-QAM et 64-QAM avec BPSK et QPSK)</li> <li>Puissance des radiofréquences 13,39 dBm (EIRP)</li> </ul>	<p>Bluetooth 4.1 + Low Energy (LE)</p> <ul style="list-style-type: none"> <li>2,4 GHz</li> <li>FHSS (BDR/EDR), GFSK (Bluetooth Low Energy)</li> <li>Puissance des radiofréquences 9,22 dBm (EIRP)</li> </ul> <p>Bluetooth classique + Low Energy (LE)</p> <ul style="list-style-type: none"> <li>2,4 GHz</li> <li>FHSS (BDR/EDR), DSSS (Bluetooth LE)</li> <li>Puissance des radiofréquences 9,22 dBm (EIRP)</li> <li>FHSS (BDR/EDR), DSSS (Bluetooth LE)</li> <li>Puissance des radiofréquences 9,22 dBm (EIRP)</li> </ul> <p>Imprimante de réseau sans fil RFID M6e</p> <ul style="list-style-type: none"> <li>865-928 MHz</li> <li>FHSS</li> <li>Puissance des radiofréquences 27,893 dBm</li> </ul> <p>Imprimantes de réseau sans fil EVM Android WLAN et Bluetooth (pour écrans couleur tactiles)</p> <ul style="list-style-type: none"> <li>2,4 et 5 GHz</li> <li>Puissance des radiofréquences 14,79 dBm (Bluetooth classique)</li> <li>Puissance des radiofréquences 24,1 dBm (2,4 GHz)</li> <li>Puissance des radiofréquences 22 dBm (5 GHz)</li> </ul>

## Spécifications relatives à l'impression

		ZT610	ZT620
Résolution d'impression		203 ppp (points/pouce) (8 points/mm)	203 ppp (points/pouce) (8 points/mm)
		300 ppp (points/pouce) (12 points/mm)	300 ppp (points/pouce) (12 points/mm)
		600 ppp (points/pouce) (24 points/mm)	S/O
Largeur d'impression maximale	203 ppp	104 mm	168 mm
	300 ppp	104 mm	168 mm
	600 ppp	104 mm	S/O
Vitesse d'impression constante et programmable (pouces par seconde/pps ou millimètres par seconde)	203 ppp	50,8 à 355,6 mm (2 à 14 po) par seconde par incréments de 25,4 mm (1 po)	50,8 à 304,8 mm (2 à 12 po) par seconde par incréments de 25,4 mm (1 po)
	300 ppp	50,8 à 304,8 mm (2 à 12 po) par seconde par incréments de 25,4 mm (1 po)	50,8 à 203,2 mm (2 à 8 po) par seconde par incréments de 25,4 mm (1 po)
	600 ppp	25,4 à 152,4 mm (1 à 6 po) par seconde par incréments de 25,4 mm (1 po)	S/O
Taille des points (nominale) (largeur x longueur)	203 ppp	0,125 x 0,125 mm 0,0049 x 0,0049 po	0,125 x 0,125 mm 0,0049 x 0,0049 po
	300 ppp	0,084 x 0,099 mm (0,0033 x 0,0039 po)	0,084 x 0,099 mm (0,0033 x 0,0039 po)
	600 ppp	0,042 x 0,042 mm (0,0016 x 0,0016 po)	S/O
Position du premier point (à partir du bord intérieur du papier)	203 ppp	3,5 mm ±1,25 mm (0,14 po ±0,05 po)	2,5 mm ±0,9 mm (0,1 po ±0,035 po)
	300 ppp	2,1 mm ±1,25 mm (0,08 po ±0,05 po)	2,5 mm ±0,9 mm (0,1 po ±0,035 po)
	600 ppp	2,1 mm ±1,25 mm (0,08 po ±0,05 po)	S/O
Dimension du module (X) de code à barres			
Orientation verticale (sans rotation)	203 ppp	4,9 à 49 mil	3,3 à 49 mil
	300 ppp	3,3 à 49 mil	
	600 ppp	1,6 à 16 mil	S/O
Orientation horizontale (avec rotation)	203 ppp	4,9 à 49 mil	3,9 à 39 mil
	300 ppp	3,9 à 39 mil	
	600 ppp	1,6 à 16 mil	S/O

		<b>ZT610</b>	<b>ZT620</b>
Repérage vertical (203 et 300 ppp)	< 4 pps	±0,3 mm	±1,5 mm
	4 à 6 pps	±0,5 mm	
	> 6 pps	±1,5 mm	
Repérage vertical (600 ppp) (1 et 2 pps)	Déchirement	±0,2 mm	S/O
	Réenroulement	±0,2 mm	
	Prédécollage	±0,2 mm	
	Coupe	±0,4 mm	
Repérage vertical (600 ppp) (3 à 6 pps)	Déchirement	±0,43 mm	S/O
	Réenroulement	±0,37 mm	
	Prédécollage	±0,37 mm	
	Coupe	±0,43 mm	
Repérage horizontal		±1,5 mm	±1,5 mm

## Spécifications du papier

		ZT610	ZT620
Longueur d'étiquette MINIMALE (203 et 300 ppp)	Non RFID		
	Déchirement	18 mm	18 mm
	Réenrouleur	6 mm	6 mm
	Prédécollage	13 mm	13 mm
	Coupe	38 mm	38 mm
	RFID	Varie en fonction du type de transpondeur	
Longueur d'étiquette MINIMALE (600 ppp)	Non RFID		
	Déchirement	3 mm	S/O
	Réenrouleur	3 mm	
	Prédécollage	13 mm	
	Coupe	38 mm	
	RFID	Varie en fonction du type de transpondeur	
Longueur d'étiquette MAXIMALE (papier discontinu)		991 mm	
Longueur d'étiquette MAXIMALE (papier continu)	200 ppp	3 810 mm	3 810 mm
	300 ppp	2 540 mm	2 032 mm
	600 ppp	762 mm	S/O
Largeur d'étiquette MINIMALE	Non RFID	20 mm	51 mm
	RFID	Varie en fonction du type de transpondeur	
Largeur d'étiquette MAXIMALE (étiquette et support)		114 mm	180 mm
Épaisseur totale MINIMALE (avec support éventuel)		0,076 mm	
Épaisseur totale MAXIMALE (avec support éventuel)	Coupe	0,23 mm	0,18 mm
	Autre	0,3 mm	0,30 mm
Diamètre extérieur MAXIMAL du rouleau		203 mm sur un diamètre interne de 76 mm	
Espace inter-étiquette	Minimum	2 mm	
	Préférence	3 mm	
	Maximum	4 mm	
Taille de l'encoche de l'étiquette ou du ticket (largeur x longueur)		6 x 3 mm	
Diamètre du trou de détection		3 mm	

	<b>ZT610</b>	<b>ZT620</b>
Densité de la marque en unités de densité optique (UDO)	> 1 UDO	
Densité de papier MAXIMALE (marque noire)	0,5 UDO	
Longueur de marque noire (parallèle au bord intérieur du papier)	3 à 11 mm	
Largeur de marque noire (perpendiculaire au bord intérieur du papier)	> 11 mm	
Emplacement de marque noire	1 mm au maximum du bord interne du papier	

## Spécifications du ruban

Les imprimantes standard utilisent les rubans dont la face enduite est orientée vers l'extérieur. Un axe de rouleau de ruban est disponible en option pour utiliser le ruban enduit sur la face intérieure. Pour savoir comment commander des pièces, contactez votre revendeur Zebra agréé.

	<b>ZT610</b>	<b>ZT620</b>
Largeur MINIMALE du ruban*	20 mm	51 mm**
Largeur MAXIMALE du ruban	110 mm	170 mm
Longueur MAXIMALE du ruban	450 m	
Diamètre interne de la bobine	25 mm	
Diamètre extérieur MAXIMAL du rouleau du ruban	81,3 mm	

\* Zebra recommande l'utilisation d'un ruban au moins aussi large que le papier afin de protéger la tête d'impression.

\*\* En fonction de l'application, il se peut que vous puissiez utiliser un ruban d'une largeur inférieure à 51 mm à condition que le ruban soit plus large que le papier utilisé. Pour utiliser un ruban plus étroit, testez la performance du ruban avec votre papier afin de vérifier que les résultats correspondent à vos attentes.



# Glossaire

**alphanumérique** S'applique aux lettres, aux chiffres et aux caractères tels que les signes de ponctuation.

**calibrage (d'une imprimante)** Processus par lequel l'imprimante détermine les informations élémentaires dont elle a besoin pour imprimer de manière précise avec une combinaison ruban/papier particulière. Pour ce faire, l'imprimante fait avancer le papier et le ruban (s'il est utilisé) vers l'intérieur de l'imprimante et détecte si elle doit utiliser une méthode thermique directe ou une impression par transfert thermique, ainsi que la longueur de chaque étiquette (en cas d'utilisation de papier non continu).

**cellule papier** Cette cellule, située derrière la tête d'impression, détecte la présence de papier et, pour le papier non continu, la position de la bande, des trous ou des encoches qui servent à indiquer de début de chaque étiquette.

**codes à barres** Code dans lequel les caractères alphanumériques sont représentés par une série de traits adjacents de différentes largeurs. Il existe de nombreux modèles de codes différents, tels que le code universel de produit ou le code 39.

**configuration** La configuration de l'imprimante définit un groupe de paramètres de fonctionnement spécifiques pour l'application de l'imprimante. Certains paramètres sont sélectionnés par l'utilisateur, alors que d'autres dépendent des options installées et du mode de fonctionnement. Les paramètres sont sélectionnés à l'aide de boutons, programmés sur le panneau de commande ou téléchargés comme commandes ZPL II. Vous avez la possibilité d'imprimer une étiquette de configuration qui répertorie tous les paramètres actuels de l'imprimante.

**consommables** Terme générique pour désigner le papier et le ruban.

**déchirement** Opération par laquelle l'utilisateur sépare à la main l'étiquette ou le carton du reste du papier.

**diagnostics** Informations sur les dysfonctionnements de l'imprimante, utilisées pour la résolution des problèmes de l'imprimante.

**diamètre du mandrin** Diamètre intérieur du mandrin au centre du rouleau de papier ou de ruban.

**dos des étiquettes (support)** Matériau sur lequel les étiquettes sont fixées pendant leur fabrication et qui est retiré par l'utilisateur.

**écran à cristaux liquides (LCD)** Écran rétroéclairé qui indique à l'utilisateur l'état du moteur d'impression quand l'imprimante fonctionne normalement ou affiche les menus d'options lors de la configuration de l'imprimante pour une application particulière.

**étiquette** Papier, plastique ou autre matériau dont le verso est adhésif et sur lequel il est possible d'imprimer.

**étiquette** Type de papier sans adhésif au verso mais qui possède une encoche ou un trou lui permettant d'être accroché à un support quelconque. Ces étiquettes sont généralement fabriquées en carton ou en un matériau durable.

**faux-pli du ruban** Pli provoqué par un mauvais alignement ou une pression inappropriée de la tête d'impression. Ce pli peut provoquer des vides sur l'impression et/ou un retour irrégulier du ruban. Ce problème doit être corrigé par des procédures de réglage.

**marque noire** Marque qui se trouve sur le côté machine du papier et qui sert d'indication de début d'étiquette à l'imprimante. (Reportez-vous à la section [papier non continu](#).)

**mémoire dynamique** Dispositif de mémoire utilisé pour stocker les formats d'étiquettes sous forme électronique pendant qu'elles sont imprimées. La quantité de mémoire dynamique disponible dans l'imprimante détermine la taille et le nombre maximum de formats d'étiquettes qu'il est possible d'imprimer. Il s'agit d'une mémoire temporaire qui perd les informations stockées lorsque l'imprimante est mise hors tension.

**mémoire Flash** Il s'agit d'une mémoire permanente qui conserve les informations stockées lorsque l'imprimante est mise hors tension. Cette mémoire est utilisée pour stocker le programme permettant à l'imprimante de fonctionner. De plus, elle permet de stocker des polices d'imprimante, des formats de graphiques et des formats d'étiquettes complets en option.

**mémoire permanente** Mémoire électronique qui conserve les données même lorsque l'imprimante est hors tension.

**microprogramme** Terme utilisé pour désigner le programme permettant à l'imprimante de fonctionner. Ce programme est téléchargé sur l'imprimante à partir d'un ordinateur hôte et stocké dans la mémoire Flash. Le programme est exécuté à chaque mise sous tension de l'imprimante. Il gère l'avancement ou le recul du papier et détermine le moment où un point doit être imprimé sur l'étiquette.

**millimètres par seconde (mm/s)** Vitesse d'impression d'une étiquette. La plupart des imprimantes Zebra peuvent imprimer de 25 à 305 mm/s (de 1 à 14 pouces/s).

**papier** Matériau sur lequel l'imprimante imprime les données : carton pour étiquettes, étiquettes découpées, étiquettes continues (avec ou sans support), papier non continu, papier à pliage paravent ou rouleau.

**papier à encoches** Type de carton d'étiquettes comportant une zone découpée que l'imprimante identifie comme indicateur de début d'étiquette. Il s'agit en principe d'un matériau plus lourd, comme du carton, qui est soit coupé, soit déchiré de l'étiquette suivante. (Reportez-vous à la section *papier non continu*.)

**papier à pliage paravent** Papier qui est plié en une pile rectangulaire, contrairement au *rouleau*.

**papier continu** Étiquette ou carton pour étiquettes ne contenant pas d'espace, d'encoche ni de bande (support d'étiquette uniquement) pour séparer les étiquettes. Le papier forme un seul long bloc.

**papier de découpe** Type de carton d'étiquettes dont les étiquettes sont collées individuellement sur un support. Les étiquettes sont soit juxtaposées les unes aux autres, soit distantes les unes des autres. En général, le matériau qui entoure les étiquettes est retiré. (Reportez-vous à la section *papier non continu*.)

**papier non continu** Papier comportant une indication sur l'emplacement de la fin d'une étiquette et le début de la suivante. Par exemple, étiquettes découpées, carton pour étiquettes à encoches et carton avec marques noires.

**papier sans support** Ce papier n'utilise pas de support pour empêcher les étiquettes d'un rouleau de se coller les unes aux autres. Il est enroulé comme un ruban adhésif, le côté adhésif d'une couche d'une couche en contact avec la surface non adhésive de celle de dessous. Les étiquettes peuvent être séparées par des perforations ou coupées séparément. En l'absence de support, le rouleau contient plus d'étiquettes, ce qui réduit la fréquence de changement du papier. Les papiers sans support sont une alternative écologique, car il n'y a pas de déchets de support, et le coût par étiquette est très inférieur à celui des étiquettes standard.

**papier thermique direct** Papier recouvert d'une substance qui réagit à l'application de la chaleur directe de la tête d'impression afin de produire une image.

**police** Jeu complet des caractères alphanumériques d'un style donné. Exemples : CGTimes™, CG Triumvirate Bold Condensed™.

**porte-rouleau** Bras fixe soutenant le rouleau de papier.

**prédécollage** Mode de fonctionnement de l'imprimante qui consiste à décoller une étiquette imprimée de son support afin que l'utilisateur puisse la récupérer avant l'impression de la suivante. L'impression s'interrompt jusqu'à ce que l'étiquette soit retirée.

**recul** L'imprimante tire le papier et le ruban (s'il est utilisé) de l'arrière vers l'intérieur de l'imprimante de sorte que le début de l'étiquette à imprimer soit correctement positionné derrière la tête d'impression. Le recul a lieu lorsque l'imprimante fonctionne en mode Tear-off (déchirement) ou Applicator (applicateur).

**repère** Alignement de l'impression par rapport au haut (verticalité) ou aux côtés (horizontalité) d'une étiquette.

**rouleau** Papier enroulé sur un mandrin (en général en carton), contrairement au *papier à pliage paravent*.

**ruban** Bande de papier constitué d'un film de base recouvert d'une pellicule de paraffine ou d'encre de résine. La face encrée est apposée par la tête d'impression sur le papier. Le ruban transfère l'encre sur le papier lorsqu'il est chauffé par les petits éléments situés à l'intérieur de la tête d'impression. Les rubans Zebra possèdent une pellicule à l'arrière qui protège la tête d'impression de l'usure.

**symbole** Terme généralement utilisé pour faire référence à un code à barres.

**thermique direct** Méthode d'impression par laquelle la tête d'impression appuie directement sur le papier. Le chauffage des éléments de la tête d'impression entraîne une décoloration de la pellicule sensible à la chaleur du papier. En chauffant de manière sélective ces éléments à mesure que le papier avance, l'image est imprimée. Ce mode d'impression ne fait pas appel au ruban, contrairement au *transfert thermique*.

**transfert thermique** Méthode d'impression au cours de laquelle la tête d'impression applique un ruban recouvert d'encre ou de résine sur le papier. Le chauffage des éléments de la tête d'impression entraîne le transfert de l'encre ou de la résine sur le papier. Par chauffage sélectif de ces éléments à mesure que le papier et le ruban avancent, l'image est imprimée sur le papier, contrairement au *thermique direct*.

**usure de tête d'impression** Dégradation de la surface de la tête d'impression et/ou des éléments d'impression au fil du temps. La chaleur et l'abrasion peuvent entraîner l'usure de la tête d'impression. Par conséquent, pour optimiser la durée de vie de la tête d'impression, utilisez le paramètre de contraste minimal et la pression d'impression minimale nécessaires à une impression de bonne qualité. Pour l'impression par transfert thermique, utilisez un ruban aussi large, voire plus, que le papier afin de protéger la tête d'impression de la surface du papier à gros grain.

**vide** Espace qui aurait dû être imprimé mais ne l'a pas été en raison d'une condition d'erreur, comme un faux-pli du ruban ou une défaillance des éléments d'impression. Un vide peut empêcher la lecture partielle ou totale d'un code à barres.

**vitesse d'impression** Vitesse à laquelle se déroule l'impression. Pour les imprimantes à transfert thermique, cette vitesse est exprimée en mm/s (millimètres par seconde).

**voyant (diode électroluminescente, DEL)** Indicateur d'état de l'imprimante. Chaque voyant est éteint, allumé ou clignotant selon la fonction qu'il contrôle.

# Index

## A

- action à la fermeture de la tête, 124
- action à la mise sous tension, 123
- activer ZBI, 131
- adresse MAC
  - câblée, 148
  - sans fil, 153
- adresses IP
  - serveur d'impression câblé, 144
  - serveur d'impression sans fil, 149
- affichage
  - remplacement d'une langue inconnue, 260
- affichage inactif
  - modification de l'affichage, 122
- ajustement de la position de l'arrêt, 108
- alimentation
  - sélection d'un emplacement, 30
  - spécifications, 281
  - spécifications du cordon d'alimentation, 282
- arrêter un programme ZBI, 133
- Asset Visibility Service, 160
- assistance client, 28
- Assistance client internationale Zebra, 28
- assistance technique, 28
- AUCUN MOUV.
  - définition comme action à la mise sous tension, 123, 124
- auto-réglage de cellule, 179
- avance d'une étiquette
  - bouton FEED (Avance), 18
  - définition comme action à la mise sous tension, 123, 124

## B

- bits de données, 183
- blocage de l'imprimante, 262
- Bluetooth
  - adresse, 187
  - caractéristiques et limitations, 278
  - détection activée/désactivée, 189
  - état de la connexion sur le périphérique jumelé, 190
  - niveau de sécurité minimum, 192
  - type de périphérique (esclave ou maître), 188
  - utilisation de la fonction Print Touch, 274
  - version des normes, 191
- boutons du panneau de commande, 18

## C

- câbles de données, 17
- CALIB. COURT
  - définition comme action à la fermeture de tête, 124
  - définition comme action à la mise sous tension, 123
- calibrage
  - CALIB. COURT
    - définition comme action à la fermeture de tête, 124
    - définition comme action à la mise sous tension, 123
  - définition comme action à la fermeture de la tête, 124
  - définition comme action à la mise sous tension, 123
  - échec du calibrage automatique, 262
  - procédure, 193
  - procédures, 127
- calibrage d'étiquettes, 162

calibrage de la cellule papier  
procédure, 193

calibrage de la cellule ruban  
procédure, 193

calibrage des cellules papier  
procédures, 127

calibrage des cellules ruban  
procédures, 127

calibrage manuel  
procédure, 193  
procédures, 127

canal (réseau sans fil), 155

CANCEL (Annuler), bouton, 18

caractère de commande, 173

caractère de contrôle, 174

caractère séparateur, 175

carton pour étiquettes, 22

cellule  
interprétation du profil, 242

cellules  
auto-réglage, 179  
réglage de la position de la cellule, 205  
sélection de la cellule à transmission, 178

choix de l'emplacement de l'imprimante, 30

codes à barres  
code à barres non lu par le scanner, 250  
étiquette codes à barres, 119  
identification des codes à barres conformes aux  
spécifications, 231

Codes QR avec messages d'erreur, 230

commande de pièces de rechange, 228

compteur d'étiquettes RFID nul, 170

compteur d'étiquettes RFID valide, 169

conditions de fonctionnement, 30

conditions environnementales, 278

configuration  
installer le pilote d'impression, 62

configuration par défaut, 125

conformité à la FCC, 4

conformité au DOC du Canada, 4

connexion de l'imprimante à l'ordinateur ou au  
réseau, 62

contraste  
déterminer le paramètre optimal, 239  
impression trop claire ou trop foncée, 250  
imprimer des étiquettes de test, 140, 234  
réglages, 104

Coupe, mode  
message ERREUR DE COUPE, 249

**D**

déballage de l'imprimante, 28

déchiré, ruban, 254

déclaration de conformité, 3

défaut de positionnement des étiquettes, 252

définition du contraste d'impression, 104

dépannage  
messages d'erreur, 246  
problèmes de communication, 259  
problèmes de qualité d'impression, 250  
problèmes de ruban, 254  
problèmes RFID, 256  
voyant, 244

déport vertical à la position Début de page, 253

dernière configuration enregistrée, 125

duplication, 268

duplication USB, 268

**E**

écran  
caractères manquants, 260  
emplacement sur le panneau de commande, 18  
impression à partir de l'écran, 137  
langue d'affichage, 171

écran de veille  
accès au menu Accueil depuis l'écran d'affichage  
inactif, 19

écran LCD, messages d'erreur, 246

élément antenne, 166

emplacement de l'imprimante, 30

entrée clavier USB, 137

entrée scanner, 137

entrée scanner USB, 137

espace nécessaire, 30

espace/encoche  
illustrations, 23  
sélection du type de cellule papier, 178  
sélection du type de média, 106

Ethernet  
connexion à un réseau câblé, 83  
connexion à un réseau sans fil, 91

étiquette d'images, 119

étiquette de configuration  
différentes méthodes d'impression, 119  
imprimer depuis Zebra Setup Utilities, 97

étiquette de configuration de l'imprimante, 119

étiquette de configuration réseau  
différentes méthodes d'impression, 119

étiquette de formats, 119

étiquette de polices, 119

étiquette sans impression, 252

- étiquettes «intelligentes», 22
- étiquettes de test compression d'image
  - exemple, 237
- étiquettes de test compression d'image
  - impression, 140
- étiquettes de test élément épuisé
  - exemple, 238
  - impression, 140
- étiquettes de test ligne d'impression
  - impression, 236
- étiquettes de test ligne d'impression
  - impression, 140
- étiquettes de test position du premier point
  - exemple d'étiquette, 235
  - impression, 140
- étiquettes ignorées, 259
- étiquettes non imprimées, 259
- exécuter un programme ZBI, 132
- expédition
  - réexpédition de l'imprimante, 29
  - signalement des dommages, 28

## F

- FEED (Avance), bouton
  - emplacement, 18
  - test automatique FEED, 239
- FIN DE RUBAN, message, 247
- Fonction Print Touch, 274
- fondus, ruban, 254
- format test d'impression, 140

## H

- HEAD COLD (Tête froide), message
  - affichage en boucle avec d'autres messages, 248
  - affichage exclusif, 248
- Hôte USB
  - fichiers requis pour les exercices, 264

- hôte USB
  - conventions de dénomination, 267
  - copie de fichiers à partir d'une clé USB, 135
  - copie de fichiers et duplication USB, 268
  - copie de fichiers vers/à partir d'une clé USB, 271
  - copie des informations de configuration sur un périphérique USB, 130
  - emplacement du port, 267
  - impression à partir d'une clé USB, 134
  - impression d'un format d'étiquette à partir d'une clé USB, 270
  - impression d'un format d'étiquette à partir de l'écran, 137
  - saisie de données avec un clavier USB, 273
  - stockage de fichiers sur une clé USB, 136
- humidité relative
  - fonctionnement et stockage, 278

## I

- ID SERV PROL, 154
- Affichage inactif
  - informations affichées, 21
- images déformées sur les étiquettes, 259
- inspection des dommages d'expédition, 28
- installation
  - déballage de l'imprimante, 28
  - installation du pilote, 62
- intensité de la cellule de prise d'étiquette, 181
- interfaces de communication, 62
- Interpréteur BASIC Zebra (ZBI, Zebra BASIC Interpreter)
  - activer, 131

## L

- langage commande, 172
- langue
  - langues prises en charge, 171
  - remplacement d'une langue inconnue, 260
- largeur d'étiquette
  - spécifications, 286
- largeur d'impression
  - spécifications, 284
- largeur d'étiquette
  - définition, 109
- largeur d'impression
  - réglage, 109
- limites d'exposition aux radiations, 4
- limites d'exposition aux radiations définies par la FCC, 4

## LONGUEUR

définition comme action à la mise sous tension,  
123, 124

## longueur d'étiquette

définition de la valeur maximale, 114  
spécifications, 286

## longueur d'étiquette maximale

définition, 114  
spécifications, 286

## lubrification, 228

## lumières intérieures, 116

**M**

marques de souillure sur les étiquettes, 251

## masque de sous-réseau

câblé, 145  
sans fil, 150

## média avec marque noire

sélection du type de média, 106

## média continu

sélection du type de média, 106

## média non continu

sélection du type de média, 106

## MEM. SATUREE, message, 249

## mémoire, 280

## mémoire de l'imprimante, 280

## Menu Accueil, 21

## menus utilisateur, 102

## Messages d'erreur, 246

## mise au rebut de la batterie, 228

## mise au rebut des composants de l'imprimante, 228

## mode avec récupération de support

étapes finales de chargement du papier, 39  
étapes préliminaires de chargement du papier, 32

## mode coupe

étapes finales de chargement du papier, 53  
étapes préliminaires de chargement du papier, 32  
nettoyage du module de coupe, 220

## mode de coupe

sélection, 110

## mode de déchirement

sélection, 110

## mode de diagnostic

présentation, 241

## mode de diagnostic des communications

présentation, 241

## mode de diagnostics

procédure, 128

## mode de diagnostics de communication

procédure, 128

## mode de récupération du support

sélection, 110

mode de réimpression, 113

## Mode de transfert thermique

paramètre, 107

## mode de transfert thermique

test de grattage du papier, 24

## mode déchirement

étapes finales de chargement du papier, 35  
étapes préliminaires de chargement du papier, 32

## mode Energy Star

définition, 129

## mode prédécollage

étapes finales de chargement du papier, 39  
étapes préliminaires de chargement du papier, 32  
sélection, 110

## mode réenrouleur

description et passage de papier, 31  
étapes finales de chargement du papier, 46  
étapes préliminaires de chargement du papier, 32

## Mode thermique direct

paramètre, 107

## mode thermique direct

test de grattage du papier, 24

## mode veille

consommation électrique, 281  
définition du mode Energy Star, 129

## mode ZPL, 176

## modification des paramètres de l'imprimante, 102

## mot de passe, 138

**N**

navigation, 19

Near Field Communication (NFC - communication  
en champ proche), 274

## Near Field Communication (NFC)

limitations et conditions requises, 279

## nettoyage

cellules, 215  
compartiment papier, 215  
extérieur de l'imprimante, 215  
module de coupe, 220  
programme de nettoyage recommandé, 214  
tête d'impression et contre-rouleau, 216

## numéro de port TCP

principal, 157  
secondaire, 158

## numéro de port TCP principal, 157

## numéro de port TCP secondaire, 158

**O**

option POSTE D'IMPRESSION, 137

option Infos impression, 119



**P**

- Pages d'aide rapide, 230
- panneau d'accès aux supports, 14
- panneau de commande
  - emplacement, 14
  - fonction des boutons, 18
  - messages d'erreur, 246
  - navigation, 19
- panneau de protection des composants électroniques, 14
- papier
  - à pliage paravent, 23
  - carton pour étiquettes, 22
  - étiquettes «intelligentes» RFID, 22
  - marque noire, 23
  - perforé, 23
  - rouleau continu, 23
  - rouleau non continu, 23
  - spécifications, 286
  - support bande, 23
  - types de papier, 22
- papier à pliage paravent
  - chargement, 33
  - description, 23
- papier avec marque noire
  - description, 23
  - spécifications, 287
- papier continu
  - description, 23
- papier non continu
  - description, 23
  - problème avec les étiquettes, 262
- papier perforé, 23
- paramètres de l'imprimante, 102
  - bord haut de l'étiquette, 111
  - contraste, 104
  - largeur d'impression, 109
  - longueur d'étiquette maximale, 114
  - marge gauche de l'étiquette, 112
  - mode d'impression, 110
  - mode de réimpression, 113
  - position de l'arrêt, 108
  - type d'impression, 107
  - type de média, 106
  - valeurs non appliquées, 260
- paramètres réseau
  - configuration par défaut, 125
  - réinitialiser carte, 159
- parité, 184
- passerelle
  - câblée, 146
  - sans fil, 151
- passerelle par défaut
  - câblée, 146
  - sans fil, 151
- PAUSE, bouton, 18
- périphérique virtuel, 177
- perte de repères en cours d'impression, 252
- pièces de rechange, 228
- pilote d'impression, 62
- port de l'applicateur
  - spécifications, 280
- port de l'applicateur
  - erreur d'applicateur en pause, 139
- port parallèle
  - caractéristiques de la connexion parallèle, 280
  - connexion de l'imprimante à un ordinateur, 75
- port série
  - connexion de l'imprimante à un ordinateur, 75
  - limitations et conditions requises, 279
- port USB
  - connexion de l'imprimante à un ordinateur, 71
  - l'imprimante ne reconnaît pas un périphérique USB, 260
  - limitations et conditions requises, 278, 279
  - spécifications, 279
- position de programmation, 165
- position lecture/écriture, 165
- PRESENCE RUBAN, message, 246
- problèmes de communication, 259
- procéder au calibrage manuel, 127
- profil de cellule, 119
- programme de nettoyage de routine, 214
- protocole système, 185
- puissance d'écriture, 168
- puissance de lecture, 167

**Q**

- qualité d'impression
  - code à barres non lu par le scanner, 250
  - dépannage, 250
  - optimisation du contraste et de la vitesse d'impression, 239
  - réglage de la pression de la tête d'impression, 199

**R**

- recharger la dernière configuration enregistrée, 125
- recyclage des composants de l'imprimante, 228
- réglage automatique de cellule, 179
- réglage de la marge gauche de l'étiquette, 112
- réglage des leviers, 199
- réglage du bord haut de l'étiquette, 111

## réglages

- bord haut de l'étiquette, 111
- contraste d'impression, 104
- emplacement de la cellule, 205
- largeur d'impression, 109
- longueur d'étiquette maximale, 114
- marge gauche de l'étiquette, 112
- position de l'arrêt, 108
- pression de la tête d'impression ou de la position des leviers, 199
- réinitialisation aux valeurs par défaut, 125
- réinitialiser aux valeurs par défaut, 125
- réinitialiser l'imprimante aux valeurs par défaut, 125
- réinitialiser le serveur d'impression, 125
- réinitialiser les paramètres réseau, 159
- REPLACER TETE, message, 248
- réparation de l'imprimante, 28
- repérage, 285
- repérage horizontal, 285
- repérage vertical, 285
- repli du ruban, causes, 255
- résolution IP (protocole IP)
  - câblé, 147
  - sans fil, 152
- responsabilité, 2
- RFID
  - calibrage d'étiquettes, 162
  - compteur d'étiquettes nul, 170
  - compteur d'étiquettes valide, 169
  - dépannage, 256
  - élément antenne, 166
  - état, 161
  - étiquettes «intelligentes», 22
  - lecture des données RFID, 163
  - position de programmation, 165
  - puissance d'écriture, 168
  - puissance de lecture, 167
  - test RFID, 164
- rouleau de papier
  - chargement, 33
  - description, 22

## ruban

- chargement, 58
- conditions d'utilisation, 24
- déchiré ou ayant fondu, 254
- définition du mode de transfert thermique, 107
- détection incorrecte, 255
- identification de la face enduite, 24
- replié, 255
- retrait, 206
- spécifications, 288
- test d'adhérence, 25
- test de grattage, 25
- voyants de passage du ruban, 118

**S**

- sélection de la cellule à transmission, 178
- sélection de la cellule papier, 178
- sélection de la cellule réfléchissante, 178
- sélection du mode d'impression, 110
- sélection du type de cellule, 178
- sélection du type de papier, 106
- sensibilité de la cellule étiquette, 180
- serveur d'impression
  - adresse MAC câblée, 148
  - adresse MAC sans fil, 153
  - adresses IP câblées, 144
  - adresses IP sans fil, 149
  - affichage du serveur d'impression actif, 142
  - canal, 155
  - étiquette de configuration réseau, 119
  - ID SERV PROL, 154
  - passerelles câblées par défaut, 146
  - passerelles sans fil par défaut, 151
  - protocole IP (câblé), 147
  - protocole IP (sans fil), 152
  - réinitialiser les paramètres réseau, 159
  - signal, 156
- serveur d'impression câblé
  - limitations et conditions requises, 279
- serveur d'impression sans fil
  - canal, 155
  - ID SERV PROL, 154
  - limitations et conditions requises, 280
  - signal, 156
  - spécifications, 283
- serveur d'impression
  - sélection du serveur d'impression principal, 143
- serveur d'impression câblé
  - Voir également* serveur d'impression
- signal, 156
- signalement des dommages d'expédition, 28

smartphone  
 pages d'aide rapide, 230  
 utilisation de la fonction Print Touch, 274  
 source de données  
 connexions, 62  
 consignes de sélection de l'emplacement, 30  
 spécification du type d'impression, 107  
 spécifications électriques, 281  
 stockage de l'imprimante, 28  
 structure des menus, 102  
 support bande  
 description, 23  
 SUPPORT ÉPUISE, message, 246  
 surface pour l'imprimante, 30

## T

taux d'humidité relative  
 fonctionnement, 30  
 température  
 fonctionnement, 30  
 fonctionnement et stockage, 278  
 test automatique  
 diagnostic des communications, 241  
 FEED (Avance), 239  
 test automatique à la mise sous tension  
 l'imprimante se bloque au cours de l'exécution  
 du test, 262  
 test automatique CANCEL (Annuler), 120  
 Test automatique FEED (Avance) et PAUSE, 126  
 test automatique PAUSE, 141  
 test d'adhérence de l'enduit du ruban, 25  
 test de grattage  
 ruban face enduite, 25  
 type de papier, 24  
 test de grattage du papier, 24  
 tête d'impression  
 TÊTE FROIDE, message  
 affichage en boucle avec d'autres messages,  
 248  
 affichage exclusif, 248  
 TÊTE IMP. CHAUDE, message, 248  
 TÊTE NON AUTH., message, 246  
 nettoyage, 216  
 réglage de la pression de la tête d'impression ou de  
 la position des leviers, 199  
 THERMISTANCE REMPLACER TETE,  
 message, 248  
 TÊTE IMP. CHAUDE, message, 248  
 TÊTE NON AUTH., message, 246  
 TÊTE OUVERTE, message, 246

types de papier  
 carton pour étiquettes, 22  
 étiquettes «intelligentes» RFID, 22  
 papier à pliage paravent, 23  
 papier avec marque noire, 23  
 papier perforé, 23  
 rouleau continu, 23  
 rouleau non continu, 23  
 support bande, 23

## U

utilisation d'un périphérique HID (Human Input  
 Device, périphérique d'interface avec  
 l'utilisateur), 137

## V

valeurs par défaut définies en usine, 125  
 valeurs par défaut du réseau, 125  
 ventilation requise, 30  
 version WML (Wireless Markup Language), 186  
 Visibility Agent, 160  
 vitesse d'impression  
 définition, 105  
 déterminer le paramètre optimal, 239  
 spécifications, 284  
 vitesse en bauds, 182  
 voyant  
 dépannage, 244  
 voyant capot ouvert, 116  
 voyants  
 combinés au message d'erreur, 246  
 emplacement, 18  
 voyants du passage de papier, 117  
 vue extérieure de l'imprimante, 14

## Z

Zebra Basic Interpreter (ZBI)  
 arrêter un programme ZBI, 133  
 exécuter un programme ZBI, 132  
 Zebra Printer Connector, 160  
 Zebra Setup Utilities  
 imprimer une étiquette de test, 97  
 installation, 62  
 ZebraDesigner, 99



**Siège social**

Zebra Technologies Corporation  
3 Overlook Point  
Lincolnshire, IL 60069 États-Unis  
Tél. : +1 847 643 6700  
Numéro gratuit (États-Unis uniquement) : +1 866 230 9494  
Fax : +1 (847) 913 8766

<http://www.zebra.com>

**ULINE**

1-800-295-5510

0720 IH-7378VND