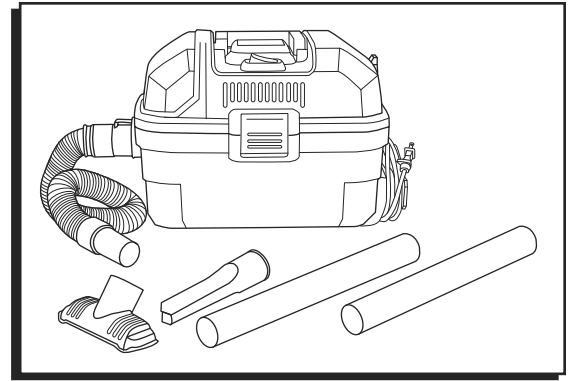
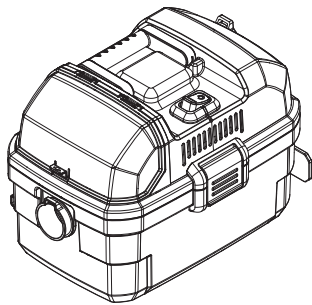


ULINE H-8901
DEWALT® PORTABLE
WET/DRY VACUUM

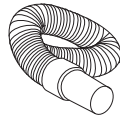
1-800-295-5510
 uline.com



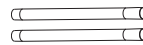
PARTS



Vacuum x 1



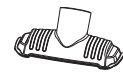
1 7/8" Flexible
 Hose x 1



Extension Wand x 2



Crevice Nozzle x 1



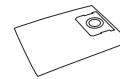
Utility Nozzle x 1



Foam Filter (Wet) x 1



Cartridge Filter x 1



Disposable
 Dust Bag x 1

PRODUCT SPECIFICATIONS

MODEL	H-8901 (DXV04T)
Power	120 V / 60 Hz / 9 A
Motor	Single Stage
Tank Capacity	4 Gallon
Hose	1 7/8" x 7'
Power Cord	20'



NOTE: To keep power loss to a minimum, use the following table to choose the minimum wire size extension cord.

EXTENSION CORD LENGTH	GAUGE (A.W.G.)
0 - 50'	14
50 - 100'	12



WARNING: Use only extension cords that are rated for outdoor use. Extension cords in poor condition or that are too small in wire size can pose fire and shock hazards. To reduce risk of these hazards when using an extension cord, ensure it is in good condition and that connection does not come into contact with liquid.

DEFINITIONS: SAFETY GUIDELINES

Definitions below describe the level of severity for each signal word.



DANGER: Indicates an imminently hazardous situation that, if not avoided, will result in death or serious injury.



WARNING: Indicates a potentially hazardous situation that, if not avoided, could result in death or serious injury.



CAUTION: Indicates a potentially hazardous situation that, if not avoided, may result in minor or moderate injury.



NOTICE: Indicates a practice not related to personal injury that, if not avoided, may result in property damage.

SAFETY



WARNING: To reduce risk of electric shock, do not expose to rain. Store indoors.



WARNING: When using electric appliances, always follow basic safety precautions to reduce the risk of fire, electric shock and personal injury, including the following:

- Do not leave appliance when it is connected to a power source. Unplug it from outlet when not in use and before servicing.
- Do not allow appliance to be used as a toy. Pay attention when appliance is used by or near children.
- Use this appliance only as described in these instructions.
- Do not use appliance with a damaged cord or plug. If appliance is not working correctly, or if it has been dropped, damaged, left outdoors or dropped in water, return it to a service center.
- Do not pull or carry appliance by the cord, use cord as a handle, close door on cord or pull cord around sharp edges or corners. Do not run the appliance over cord. Keep cord away from heated surfaces.
- Do not unplug appliance by pulling on cord. To unplug, grasp plug, instead of cord.
- Do not handle plug or appliance with wet hands.
- Do not put any objects into openings of appliance. Do not use appliance with any opening blocked; keep free of dust, lint, hair and anything else that may reduce air flow.
- Keep hair, loose clothing, fingers and all body parts away from openings and moving parts.
- Turn off all controls before unplugging appliance.
- Use extra care when cleaning on stairs.
- Do not use appliance to pick up flammable or combustible liquids, such as gasoline, or use in areas where flammable or combustible liquids are present.
- Static shocks are possible in dry areas or when relative humidity of air is low. This is only temporary and does not affect use of vacuum. To reduce frequency of static shocks, add moisture to air with a console, installed humidifier or anti-static hose (standard on some models).
- To avoid spontaneous combustion, empty canister after each use.
- Do not pick up anything that is burning or smoking, such as cigarettes, matches or hot ashes.
- Do not use to vacuum combustible explosive materials, such as coal, grain or other finely divided combustible material.
- Do not use to vacuum hazardous, toxic or carcinogenic materials, such as asbestos or pesticide.
- Never pick up explosive liquids (e.g. gasoline, diesel fuel, heating oil, paint thinner, etc.), acids or solvents.
- Do not use vacuum without filters in place, except as described under Wet Pick-up on page 5.
- Some wood contains preservatives that can be toxic. Take extra care to prevent inhalation and skin contact when working with these materials. Request and follow any safety information available from material supplier.
- Do not use vacuum as a step ladder.
- Do not place heavy objects on vacuum.
- If an extension cord is used outdoors, it must be marked with the suffix W-A or W following the cord type designation. For example: SJTW-A indicates it is acceptable for outdoor use.

SAFETY CONTINUED

- An extension cord must have adequate wire size (AWG or American Wire Gauge) for safety. The smaller the gauge number of the wire, the greater the capacity of the cable. An undersized cord will cause a drop in line voltage resulting in loss of power and overheating. When using more than one extension to make up total length, be sure each individual extension contains at least the minimum wire size. Following table shows correct size to use. If in doubt, use next heavier gauge. The smaller the gauge number, the heavier the cord.

Minimum Gauge for Cord Sets						
Ampere Rating		Volts	Total Length of Cord			
		120V	25'	50'	100'	150'
		240V	50'	100'	200'	300'
More Than	Not More Than	AWG				
0	6		18	16	16	14
6	10		18	16	14	12
10	12		16	16	14	12
12	13		14	12	Not Recommended	



WARNING: Always wear proper personal hearing protection that conforms to ANSI S12.6 (\$3.19) during use. Under some conditions and duration of use, noise from this product may contribute to hearing loss.



WARNING: Always use safety goggles. Everyday eyeglasses are NOT safety goggles. Also use face or dust mask if area operation is dusty. Always wear certified safety equipment:

- ANSI Z87.1 eye protection (CAN/CSA Z94.3)
- ANSI S12.6 (\$3.19) hearing protection
- NIOSH/OSHA/MSHA respiratory protection

To reduce exposure to these chemicals, wear approved safety equipment such as dust masks that are specifically designed to filter out microscopic particles.

For convenience and safety, the following warning label is on vacuum:



WARNING: This is a double insulated wet/dry vacuum. In a double-insulated wet/dry vacuum, two systems of insulation are provided instead of grounding. No grounding means is provided on a double-insulated appliance, nor should a means for grounding be added. Servicing a double-insulated wet/dry vacuum requires extreme care and knowledge of the system and should be done only by qualified service personnel. Replacement parts for a double-insulated wet/dry vacuum must be identical to the parts they replace. Double-insulated wet/dry vacuum is marked with words "double insulated" and the symbol (square within a square) may also be marked on the appliance. To reduce risk of injury from electrical shock, unplug power cord before servicing electrical parts of the wet/dry vacuum.



IMPORTANT: If supply cord is damaged, it must be replaced by manufacturer or its service agent or a similarly qualified person in order to avoid a hazard



IMPORTANT: Remove plug from socket before performing maintenance. Before using machine ensure frequency and voltage shown on the rating plate correspond with main voltage. Specifications and details are subject to change without prior notice. The accessories shown in the pictures may vary from model to model.



IMPORTANT: Symbol on product or packaging indicates that product must not be treated as domestic refuse. Instead, it should be handed in to a collection point for the recycling of electrical and electronic components.



WARNING: To reduce the risk of injury, users must read instruction manual. Do not run unattended. Do not pick up flammable, combustible or hot materials. Do not use around explosive dust, liquids or vapors. Electrical devices produce arcs or sparks which can cause fire or explosion. Do not use at filling stations or anywhere gasoline is stored or dispensed. Do not vacuum toxic or carcinogenic materials or other health-endangering materials such as asbestos or pesticides. Always use proper eye and respiratory protection. To reduce risk of electrical shock, do not expose to rain. Store indoors. When servicing, use only identical replacement parts. Do not use as a step stool.

OPERATION

1. Pull lid latches in an outward motion, remove power head and any accessories that may have been shipped in the tank.
2. Before replacing power head, refer to these instructions to ensure proper filters are installed for cleaning operation.
3. Replace power head, and apply pressure with thumb to each latch until it snaps tightly in place. Ensure all lid latches are clamped securely.
4. Insert air hose end into inlet of tank.
5. Attach extension wands to accessory end of hose. Apply slight pressure until fitting is tight.
6. Attach one of cleaning accessories (depending on your cleaning requirements) on extension wands. Twist slightly to tighten the connection.
7. Assemble hose, extension wands and the utility nozzle.
8. Connect power cord to a wall outlet.
9. Press the power switch to set it to the "I" position to switch the vacuum on.
10. When done, press power switch to set it to the "O" position to switch the vacuum off and unplug the power cord.



WARNING: To reduce risk of fire or explosion, do not operate this vacuum in areas with flammable gases, vapors or explosive dust in the air. Flammable gases or vapors include but are not limited to: lighter fluid, solvent-type cleaners, oil-based paints, gasoline, alcohol or aerosol sprays. Explosive dusts include but are not limited to: coal, magnesium, aluminum, grain or gun powder. Do not vacuum explosive dust, flammable or combustible liquids or hot ashes. Do not use this vacuum as a sprayer for any flammable or combustible liquid. To reduce the risk of health hazards from vapors or dusts, do not vacuum toxic materials.



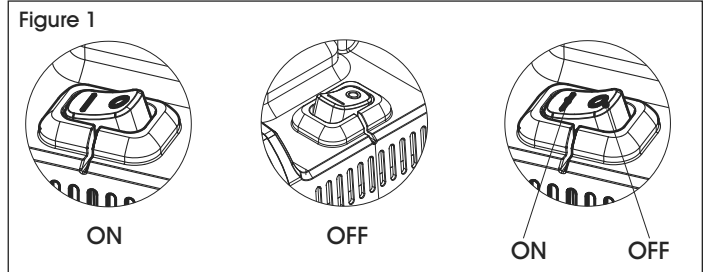
WARNING: Operation of any utility vacuum can result in foreign objects being blown into the eyes, which can result in severe eye injury. Always wear safety goggles complying with ANSI Z87.1 (or in Canada, CSA Z94.3) before starting operation.



CAUTION: To reduce risk of hearing loss, wear ear protectors when using the vacuum for extended hours or when using it in a noisy area.



NOTE: The unit is ready for dry vacuuming or blowing. Plugging power cord into the wall receptacle, turn the unit "ON" by pushing the switch position. (See Figure 1)



DRY PICK-UP

1. Filter must always be in correct position to reduce risk of leaks and possible damage to vacuum. Ensure filter is completely covering the filter cage. Ensure there are no gaps between the filter and the lid. It is important to assemble the filter to the cage without allowing any possible leaks or tears. Any leaks will allow picked-up debris to be blown out of blowing port and back into surrounding environment.
2. When using vacuum to pick up very fine dust, it will be necessary to empty dust tank and clean or replace filter at more frequent intervals to maintain peak vacuum performance.



NOTE: A dry filter is necessary to pick up dry material. If using vacuum to pick up dust when filter is wet, filter will clog quickly and be very difficult to clean. If filter gets wet, replace it before continuing to do dry pick-ups.

WET PICK-UP



NOTE: Vacuum requires only a minimum of conversion when going from dry to wet pick-up. A clean cartridge filter may be used for vacuuming small amounts of liquids. For best results when vacuuming large quantities of liquid, it is recommended to use the foam filter and install the foam filter over filter cage; if filter is not removed, it will become saturated and misting may appear in the exhaust. At this time, dry or replace the cartridge filter to eliminate the misting and possible dripping of liquid around the lid.

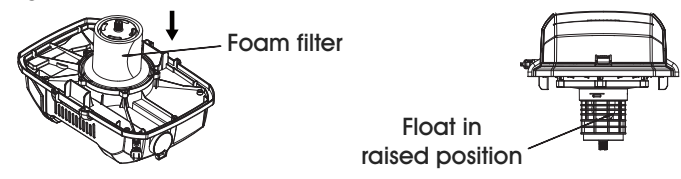
1. To remove the reusable cartridge filter for vacuuming large amounts of liquid, undo the latches and remove the motor head from the vacuum with the handle.


OPERATION CONTINUED


2. Turn the filter knob counterclockwise until it clicks, and make sure the knob arrow aligns with the "Unlock" icon on the filter cap. Then, slide the cartridge filter off the lid cage. Grasp the step of knob tightly with fingers to pull the cartridge filter out off the cage.
3. Ensure foam filter is in place on the filter cage.
4. Ensure disposable filter bag is removed. To remove filter bag, detach it from the vacuum port.
5. Replace motor head on dust tank and engage latches. Ensure latches snap tightly in place and are securely engaged.


This wet/dry vacuum is equipped with a float mechanism that will rise automatically to cut off airflow when liquid in dust tank reaches a pre-determined level. Airflow is cut when suction ceases and motor noise becomes higher in pitch due to increased motor speed. In this case, immediately switch vacuum off and empty liquid in the dust tank to avoid damage to the vacuum. (See Figure 2)

Figure 2



 **IMPORTANT:** To reduce the risk of damage to the vacuum, do not run motor with float in raised position.

 **NOTE:** If accidentally tipped over, the vacuum could have closed suction. If this occurs, place vacuum in upright position and turn off switch. This will allow the float to return to its normal position.

 **NOTE:** After completing a wet pick-up job, raise the hose to drain any excess liquid into the tank before shutting off. The interior of tank and foam filter should be washed periodically, especially after picking up wet, sticky kitchen accidents. This can be accomplished with a warm solution of soap and water.

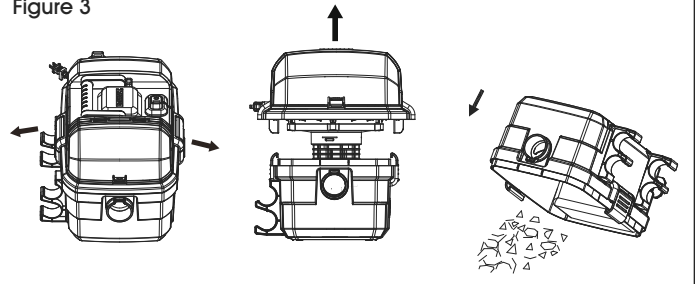
EMPTY THE TANK



WARNING: To reduce risk of injury from accidental starting, unplug power cord before emptying the dust tank.

1. Remove the power head assembly of the wet/dry vacuum by pulling outward on the lid clips located on each side of unit. Lift off the power head assembly.
2. Dump tank contents into proper waste disposal container. (See Figure 3)

Figure 3



BLOWING OPERATION



WARNING: Always wear safety goggles complying with ANSI Z87.1 (or in Canada CSA Z94.3) when using as a blower.



WARNING: To avoid injury to bystanders, keep them clear of blowing debris.



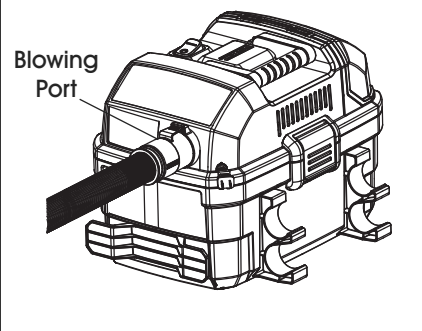
CAUTION: Wear a dust mask if blowing creates dust that might be inhaled.



CAUTION: To reduce risk of hearing loss, wear ear protectors when using vacuum/blower for extended hours or when using it in a noisy area.

1. Locate blowing port on vacuum.
2. Insert one end of the 1 $\frac{1}{8}$ " x 7' hose into the blowing port. (See Figure 4)
3. Turn vacuum "ON".

Figure 4



MAINTENANCE

INSTALLING THE CARTRIDGE FILTER

The cartridge filter can be used for wet or dry pick-up. Installation is the same for both.

1. With power head in an upside down position, slide the cartridge filter down over the lid cage, push the filter seals against the power head.
2. Turn knob on filter retainer clockwise to tighten, locking the filter into place.
3. To remove filter for cleaning, turn filter knob counterclockwise until feeling the tactile cue and hearing auditory cue. Align knob arrow with "Unlock" icon on the filter cap, and slide cartridge filter off lid cage.

FILTER REPLACEMENT



WARNING: To reduce the risk of injury from accidental starting, unplug power cord before changing or cleaning filter. Filter should be cleaned often to maintain peak vacuum performance.



IMPORTANT: To avoid damage to the blower wheel and motor, always reinstall the filter before using the vacuum for dry pick-ups and wet pick-ups.



IMPORTANT: After cleaning, check filter for tears or small holes. Do not use a damaged filter. A small hole can cause a lot of dust to come out of vacuum. Replace it immediately.



NOTE: Before installing filter on the vacuum, clean area of lid so that filter will seal against lid and stop small particles from bypassing the filter bag. If filter is clean and not damaged, replace it on the filter cage. If it cannot be reused, place a new filter over the filter cage.



NOTE: Clean the filter in an open area. Cleaning should be done outdoors and not in living quarters.



WARNING: Do not remove filter cage and float. The float prevents water from entering the impeller and damaging the motor. The cage prevents fingers from touching the moving impeller.

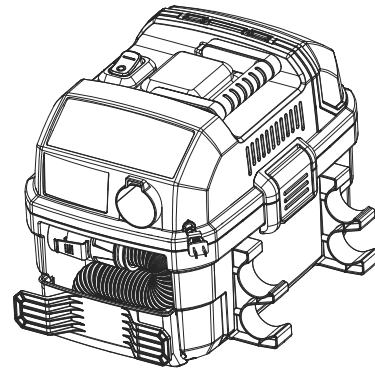
CLEANING

Clean the outside with a cloth dampened with warm water and mild soap. To clean the tank:

1. Dump out debris.
2. Wash tank thoroughly with warm water and mild soap.
3. Wipe out with dry cloth.

STORAGE

Before storing vacuum, dust tank should be emptied and cleaned. Cord should be wrapped and hung on unit and accessories should be kept in mesh bag so they can be readily available. The vacuum should be stored indoors.



TROUBLESHOOTING



WARNING: To reduce the risk of injury from moving parts and/or electrical shock, turn power switch off and disconnect grounded plug from electrical outlet before performing troubleshooting checks.

OPERATING ISSUE	RECOMMENDATIONS
Motor does not run.	<p>Check power cord, plugs and outlet.</p> <p>Ensure on/off switch is in ON position.</p>
Suction capacity decreases.	<p>Remove blockages in suction nozzle, suction tube, hose or filters.</p> <p>Replace paper or fleece bag.</p> <p>Check for proper installation of filters.</p> <p>Clean or replace filters.</p> <p>Empty canister and refer to Empty Tank on page 5.</p>
Vacuum stops running.	<p>Thermal overload has been tripped:</p> <ol style="list-style-type: none"> 1. Turn off vacuum and disconnect vacuum cleaner from power source. 2. Empty canister, if needed. 3. Allow unit to cool. 4. Plug power cord into appropriate outlet and turn on/off switch to ON position to test. If vacuum will not restart call Uline Customer Service at 1-800-295-5510.
Dust comes out while vacuuming.	<p>Check for proper installation of filters.</p> <p>Ensure filters are not damaged; replace if necessary.</p> <p>Ensure filter seals are in place and are secure.</p>

ULINE

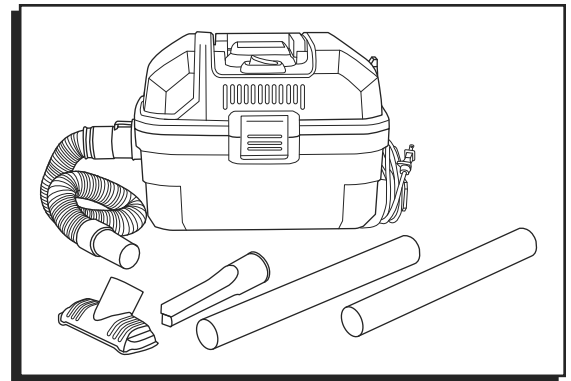
1-800-295-5510

uline.com

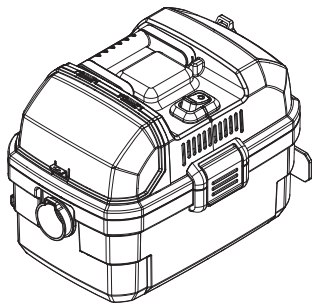
ULINE H-8901

DEWALT® ASPIRADORA PORTÁTIL PARA SÓLIDOS Y LÍQUIDOS

800-295-5510
uline.mx



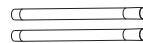
PARTES



1 Aspiradora



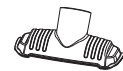
1 Manguera
Flexible de 1 7/8"



2 Tubos



1 Boquilla para
Hendiduras



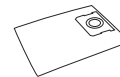
1 Boquilla Utilitaria



1 Filtro de Espuma
(Líquidos)



1 Filtro de Cartucho



1 Bolsa Desechable
para Polvo

ESPECIFICACIONES DEL PRODUCTO

MODELO	H-8901 (DXV04T)
Potencia	120 V / 60 Hz / 9 A
Motor	Fase Sencilla
Capacidad del Tanque	4 Galones
Manguera	1 7/8" x 7'
Cable Eléctrico	6 m (20')



NOTA: Para mantener la pérdida de energía al mínimo, use la siguiente tabla para elegir el tamaño mínimo de la extensión eléctrica.

LARGO DEL CABLE DE EXTENSIÓN	CALIBRE (A.W.G.)
0 - 15.24 m (0 - 50')	14
15.24 - 30.48 m (50 - 100')	12



ADVERTENCIA: Use solo extensiones eléctricas certificadas para uso en exteriores. Las extensiones eléctricas en mal estado o que sean muy pequeñas en tamaño de alambre pueden provocar incendios y descargas eléctricas. Para reducir el riesgo de estos peligros cuando utilice una extensión eléctrica, asegúrese de que está en buenas condiciones y que la conexión no entra en contacto con líquidos.

DEFINICIONES: LINEAMIENTOS DE SEGURIDAD

Las definiciones a continuación describen el nivel de severidad para cada señalamiento.



PELIGRO: Indica una situación inminente de riesgo que, si no se evita, causará la muerte o lesiones graves.



ADVERTENCIA: Indica una posible situación de riesgo que, si no se evita, podría causar la muerte o lesiones graves.



PRECAUCIÓN: Indica una posible situación de riesgo que, si no se evita, puede causar lesiones menores o moderadas.



AVISO: Indica una práctica no relacionada con las lesiones corporales que, si no se evita, puede causar daños a la propiedad.

SEGURIDAD



ADVERTENCIA: Para reducir el riesgo de choque eléctrico, no la exponga a la lluvia. Guárdela en interiores.



ADVERTENCIA: Cuando utilice aparatos eléctricos, siga siempre las precauciones básicas de seguridad para reducir los riesgos de incendios, choque eléctrico y lesiones corporales, incluyendo las siguientes:

- No abandone el aparato cuando esté conectado a la toma eléctrica. Desenchúfela cuando no la utilice y antes de darle mantenimiento.
- No permita que se utilice la unidad como juguete. Ponga especial atención cuando la use cerca de niños.
- Use la unidad solo como se describe en este manual.
- No la use con el cable o enchufe dañados. Si la unidad no funciona adecuadamente, se cayó, sufrió daños, se dejó en el exterior o se mojó, regrésela a un centro de servicio.
- No la jale o lleve por el cable, no use el cable como asa, no cierre la puerta sobre el cable o jale el cable por bordes filosos o esquinas. No pase la unidad sobre el cable. Mantenga el cable lejos de superficies calientes.
- No la desconecte jalando del cable. Para desconectarla, tome la clavija, no el cable.
- No maneje la clavija o el aparato con las manos mojadas.
- No coloque ningún objeto en las aberturas de la unidad. No la utilice si tiene alguna abertura obstruida; manténgala libre de polvo, pelusa, cabello o cualquier otra cosa que pueda reducir el flujo del aire.
- Mantenga el cabello, ropa holgada, dedos o cualquier parte del cuerpo lejos de las aberturas y partes móviles.
- Apague todos los controles antes de desconectar la unidad.
- Sea más cuidadoso cuando limpie escaleras.
- No la use para recoger líquidos inflamables o combustibles tales como gasolina, ni la use en áreas donde estos pudieran estar presentes.
- Las descargas de estática son comunes en áreas secas o cuando la humedad relativa del aire es baja. Esto es solamente temporal y no afecta el uso de la aspiradora. Para reducir la frecuencia de descarga de estática, agregue humedad al aire con una consola, humidificador instalado o una manguera antiestática (estándar en algunos modelos).
- Para evitar la combustión espontánea vacíe el tanque después de cada uso.
- No aspire nada que esté ardiendo o humeando: como cigarrillos, cerillos o ceniza caliente.
- No la utilice para aspirar materiales combustibles explosivos, tales como carbón, virutas u otros materiales combustibles finamente divididos.
- No la utilice para aspirar materiales riesgosos, tóxicos o carcinogénicos, como asbesto o pesticidas.
- Nunca recoja explosivos químicos (por ejemplo, gasolina, combustible diésel, aceite combustible, pintura, diluyentes, etc.) ácidos o solventes.
- No utilice la aspiradora sin los filtros en su lugar, excepto por lo descrito en la sección de Aspirado de Líquidos en la página 12.
- Algunas maderas contienen preservativos que podrían ser tóxicos. Tenga especial cuidado para evitar la inhalación y el contacto con la piel cuando trabaje con estos materiales. Solicite y siga toda la información de seguridad disponible por parte del proveedor del material.
- No utilice esta aspiradora como escalera.
- No coloque objetos pesados encima.
- Si utiliza una extensión eléctrica en exteriores, la debe marcar con el sufijo W-A o W siguiendo la designación del tipo de cable. Por ejemplo: SJTW-A indica que es aceptable para uso en exteriores.

CONTINUACIÓN DE SEGURIDAD

- Una extensión eléctrica debe contar con el tamaño de alambre adecuado (AWG o Calibre de Alambre Americano) para seguridad. Entre más pequeño es el número de calibre del alambre, mayor es la capacidad del cable. Un cable de capacidad reducida causará una caída en la línea de voltaje lo que resultará en pérdida de energía y sobrecalentamiento. Cuando use más de una extensión para completar la longitud total, asegúrese de que cada extensión individual contenga al menos el mínimo del tamaño del alambre. La siguiente tabla muestra el tamaño correcto para usar. Si tiene dudas, utilice el calibre más pesado siguiente. Entre más pequeño es el número de calibre, más pesado es el cable.

Calibre Mínimo para Sets de Cables						
Clasificación del Amperaje		Voltios	Largo Total del Cable			
			7.62 m (25')	15.24 m (50')	30.48 m (100')	45.72 m (150')
		240V	15.24 m (50')	30.48 m (100')	61 m (200')	91.44 m (300')
Más de	No Más de	AWG o Calibre de Alambre Americano				
0	6		18	16	16	14
6	10		18	16	14	12
10	12		16	16	14	12
12	13		14	12	No se Recomienda	



ADVERTENCIA: Use siempre equipo personal de protección auditiva que cumpla con ANSI S12.6 (\$3.19) durante el uso. Bajo algunas condiciones y la duración del uso, el ruido de este producto podría contribuir a la pérdida auditiva.



ADVERTENCIA: Use siempre goggles de seguridad. Los lentes de diario NO son goggles de seguridad. Use también una mascarilla facial o para polvo si el área de operación está polvosa. Use siempre un equipo de seguridad certificado:

- Protección ocular ANSI Z87.1 (CAN/CSA Z94.3)
- Protección auditiva ANSI S12.6 (\$3.19)
- Protección respiratoria NIOSH/OSHA/MSHA

Para reducir la exposición a estos químicos, use un equipo de seguridad aprobado tales como mascarillas para polvo diseñadas especialmente para filtrar partículas microscópicas.

Para comodidad y seguridad, la siguiente etiqueta de advertencia se encuentra en la aspiradora:



ADVERTENCIA: Esta es una aspiradora para sólidos y líquidos de doble aislamiento. En una aspiradora para sólidos y líquidos de doble aislamiento, se proporcionan dos sistemas de aislamiento en lugar de la conexión a tierra. No se proporciona ningún medio de conexión a tierra en un aparato con doble aislamiento, ni tampoco debe añadirse un medio de conexión a tierra. El mantenimiento de la aspiradora para sólidos y líquidos de doble aislamiento requiere de un cuidado extremo y conocimiento del sistema, el cual solo personal calificado de servicio debe llevar a cabo. Las partes de reemplazo para una aspiradora para sólidos y líquidos de doble aislamiento deben ser idénticas a las que sustituyen. La aspiradora para sólidos y líquidos de doble aislamiento está marcada con las palabras "doble aislamiento" y el símbolo (cuadrado dentro de cuadrado) también podría estar marcado en el aparato. Para reducir el riesgo de lesiones por choque eléctrico, desconecte el cable de alimentación antes de darle mantenimiento a las partes eléctricas de la aspiradora para sólidos y líquidos.



IMPORTANTE: Si el cable suministrado está dañado, se debe reemplazar por el fabricante o el agente de servicio o alguna persona calificada para evitar riesgos



IMPORTANTE: Retire la clavija del enchufe antes de realizar cualquier mantenimiento. Antes de usar la máquina, asegúrese de que la frecuencia y el voltaje en la placa de clasificación correspondan con el voltaje principal. Las especificaciones y los detalles están sujetos a cambios sin previo aviso. Los accesorios que se muestran en las imágenes pueden variar de modelo a modelo.



IMPORTANTE: Un símbolo en el producto o empaque indica que el producto no debe tratarse como desecho doméstico. En su lugar, debe entregarse en un punto de recolección para el reciclaje de componentes eléctricos y electrónicos.



ADVERTENCIA: Para reducir el riesgo de lesiones, los usuarios deben leer el manual de instrucciones. No la opere sin vigilancia. No recoja líquidos inflamables, combustibles o materiales calientes. No la utilice en presencia de polvo, líquidos o vapores explosivos. Los aparatos eléctricos producen arcos o chispas que pueden causar incendios o explosiones. No lo use en estaciones de servicio o en ningún lugar donde se despache o se guarde gasolina. No aspire materiales tóxicos o carcinogénicos o cualquier otro tipo de material dañino para la salud, tales como asbesto o pesticidas. Siempre utilice protección ocular y respiratoria adecuadas. Para reducir el riesgo de choque eléctrico, no la exponga a la lluvia. Guárdela en interiores. Para el mantenimiento use solo partes de repuesto idénticas. No la utilice como escalera.

FUNCIONAMIENTO

1. Jale los pestillos de la tapa hacia afuera, retire el cabezal de alimentación y cualquier accesorio que pudiera haber sido enviado dentro del tanque.
2. Antes de volver a colocar el cabezal de alimentación, consulte estas instrucciones para asegurarse de que los filtros adecuados estén instalados para la operación de limpieza.
3. Vuelva a colocar el cabezal de alimentación y presione con el pulgar cada pestillo hasta que se sujeten a presión en su lugar. Confirme que los pestillos de la tapa estén bien fijos.
4. Inserte el extremo de la manguera de aire en la entrada del tanque.
5. Acople los tubos al extremo de la manguera. Haga un poco de presión hasta que el accesorio esté apretado.
6. Acople uno de los accesorios de limpieza (dependiendo de los requerimientos de limpieza) a los tubos. Gire un poco para apretar la conexión.
7. Ensamble la manguera, el tubo y la boquilla utilitaria.
8. Conecte el cable al enchufe.
9. Presione el interruptor para colocarlo en la posición "I" para encender la aspiradora.
10. Cuando termine, presione el interruptor para colocarlo en la posición "O" de apagado y desconecte el cable de energía.



ADVERTENCIA: Para reducir riesgo de incendio o de explosión, no opere esta aspiradora en áreas con gases inflamables, vapores o polvos explosivos en el aire. Los gases inflamables o vapores incluyen, pero no están limitados a: fluidos ligeros, limpiadores tipo solventes, pinturas a base de aceite, alcohol o aerosoles. Los polvos explosivos incluyen, pero no están limitados a: carbón, magnesio, aluminio, virutas o pólvora. No aspire polvos explosivos, inflamables o líquidos combustibles o cenizas calientes. No utilice esta aspiradora como rociador de cualquier líquido o combustible inflamable. Para reducir el riesgo de daños por vapores tóxicos o polvo, no aspire materiales tóxicos.



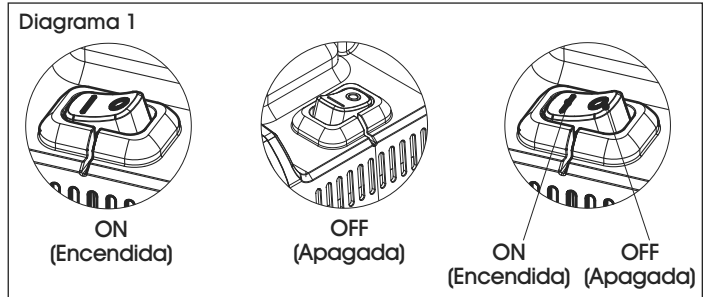
ADVERTENCIA: La operación de cualquier aspiradora utilitaria puede causar que objetos extraños sean lanzados directo a los ojos, lo que puede causar daños severos. Use siempre goggles de seguridad que cumplan con ANSI Z87.1 (o en Canadá, CSA Z94.3) antes de comenzar a usarlo.



PRECAUCIÓN: Para reducir el riesgo de pérdida de la audición, utilice protectores auditivos cuando use la aspiradora por tiempo extendido o en una área ruidosa.



NOTA: La unidad está lista para aspirar o soplar. Con el cable conectado al enchufe, ponga la unidad en "ON" presionando el interruptor a esta posición. (Vea Diagrama 1)



ASPIRADO DE SÓLIDOS

1. El filtro siempre debe estar en la posición correcta para reducir el riesgo de fugas y un probable daño a la aspiradora. Asegúrese de que el filtro cubra la rejilla del filtro por completo. Asegúrese de que no haya espacios entre el filtro y la tapa. Es importante ensamblar el filtro a la rejilla sin permitir posibles fugas o desgarres. Cualquier fuga permitirá que los residuos recogidos sean expulsados del puerto de soplado y vuelvan al entorno circundante.
2. Cuando utilice la aspiradora para recoger polvo muy fino, vacíe el tanque de polvo y limpie o reemplace el filtro en intervalos más frecuentes para mantener el rendimiento de la aspiradora al máximo.



NOTA: Se necesita un filtro en seco para aspirar sólidos. Si usa la aspiradora para recoger polvo cuando el filtro está mojado, el filtro se atascará rápidamente y será muy difícil de limpiar. Si el filtro se moja, reemplácelo antes de continuar con la recolección de sólidos.

RECOLECCIÓN DE LÍQUIDOS



NOTA: La aspiradora requiere solo un mínimo de conversión cuando va de la recolección de sólidos a líquidos. Puede usar un filtro de cartucho limpio para aspirar pequeñas cantidades de líquido. Para mejores resultados cuando aspire grandes cantidades de líquido, se recomienda usar un filtro de espuma e instalarlo sobre la rejilla del filtro; si no se retira el filtro, se saturará y puede aparecer rocío en el escape. En ese momento, debe secar o cambiar a un filtro en seco para eliminar el rocío y el posible goteo de líquido alrededor de tapa.

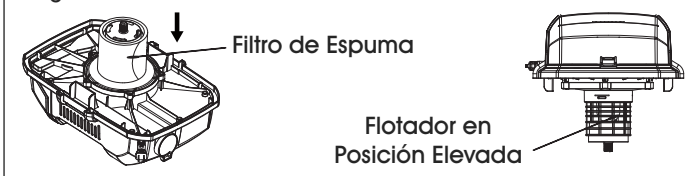
1. Para retirar el filtro de cartucho reutilizable para aspirar grandes cantidades de líquidos, abra los pestillos y retire el cabezal del motor de la aspiradora con el asa.

CONTINUACIÓN DE FUNCIONAMIENTO

2. Gire la perilla del filtro en sentido contrario a las manecillas del reloj hasta escuchar un clic, asegúrese de que la flecha de la perilla se alinee con el icono de "Unlock" (desbloquear) en la tapa del filtro. Luego, deslice el filtro de cartucho hacia afuera de la tapa de rejilla. Agarre el asa del pestillo con fuerza con los dedos para sacar el filtro de cartucho de la rejilla.
3. Asegúrese de que el filtro de espuma esté en su lugar sobre el filtro de rejilla.
4. Asegúrese de retirar el filtro de la bolsa desechable. Para retirar el filtro de la bolsa, sepárelo del puerto de la aspiradora.
5. Vuelva a colocar el cabezal del motor sobre el tanque y active los pestillos. Cerciórese de que los pestillos entren firmemente y a presión en su lugar y que estén enganchados de forma segura.

Esta aspiradora para sólidos y líquidos está equipada con un mecanismo de flotación que se elevará automáticamente para cortar el flujo de aire cuando el líquido en el tanque alcance un nivel predeterminado. Se corta el flujo de aire cuando cesa la succión y el ruido del motor se vuelve más alto debido al aumento de la velocidad del motor. En este caso, apague inmediatamente el interruptor de la aspiradora y vacíe el líquido en el tanque para polvo para evitar daños a la aspiradora. (Vea Diagrama 2)

Diagrama 2



IMPORTANTE: Para reducir el riesgo de daño a la aspiradora, no la haga funcionar con el flotador en la posición elevada.



NOTA: Si se vuelca accidentalmente, la aspiradora podría perder succión cerrada. Si esto ocurre, enderece la aspiradora y apague el interruptor. Esto permitirá al flotador regresar a su posición original.



NOTA: Después de terminar el trabajo de aspirado de líquidos, levante la manguera para drenar cualquier exceso de líquido en el tanque antes de apagarla. Se deben lavar el interior del tanque y el filtro de espuma periódicamente, especialmente después de la recolección de residuos líquidos y pegajosos de accidentes en la cocina. Esto se puede lograr con una solución de jabón y agua tibia.

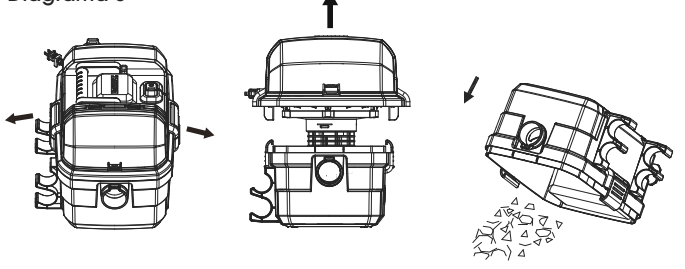
VACIADO DEL TANQUE



ADVERTENCIA: Para reducir el riesgo de lesiones por un arranque accidental, desconecte el cable de energía antes de vaciar el tanque para polvo.

1. Retire el ensamble del cabezal de alimentación para aspirado de sólidos y líquidos, sacando los clips de la tapa que se localizan en cada lado de la unidad. Levante el ensamble del cabezal de alimentación.
2. Vacíe el contenido del tanque en el contenedor para basura. (Vea Diagrama 3)

Diagrama 3



FUNCIONAMIENTO DE SOPLADO



ADVERTENCIA: Use siempre goggles de seguridad que cumplan con ANSI Z87.1 (o en Canadá CSA Z94.3) cuando la use como sopladora.



ADVERTENCIA: Para evitar lesiones a espectadores, manténgalos alejados de los residuos de soplado.



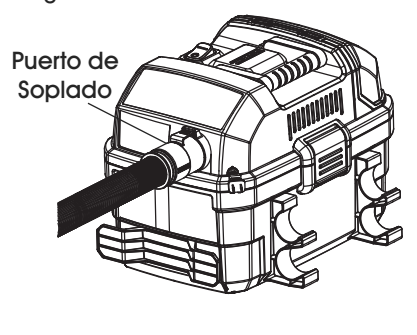
PRECAUCIÓN: Use una mascarilla para polvo si el soplado crea un polvo que pueda ser inhalado.



PRECAUCIÓN: Para reducir el riesgo de pérdida de la audición, utilice protectores auditivos cuando use la aspiradora por tiempo extendido o en un área ruidosa.

1. Localice el puerto de soplado en la aspiradora.
2. Inserte un extremo de la manguera de 1 7/8" x 7' en el puerto de soplado. (Vea Diagrama 4)
3. Encienda la aspiradora "ON".

Diagrama 4



INSTALACIÓN DEL FILTRO DE CARTUCHO

El filtro de cartucho se puede usar para aspirado de sólidos o líquidos. La instalación es la misma para ambos.

1. Con el cabezal de alimentación volteado hacia arriba, deslice el cartucho hacia abajo por encima de la tapa de la rejilla, empuje hasta que el filtro selle contra el cabezal de alimentación.
2. Gire la perilla en el retenedor de filtro en sentido de las manecillas del reloj para apretar, fijando el filtro en su lugar.
3. Para retirar el filtro para limpieza, gire la perilla del filtro en sentido contrario a las manecillas del reloj hasta sentir la señal táctil y auditiva. Alinee la flecha de la perilla con el icono de "Desbloqueo" en la tapa del filtro, y deslice el cartucho hacia abajo hasta la tapa de la rejilla.

REEMPLAZO DEL FILTRO



ADVERTENCIA: Para reducir el riesgo de lesiones por un arranque accidental, desconecte el cable de energía antes de cambiar o limpiar el filtro. El filtro se debe limpiar periódicamente para mantener el rendimiento de la aspiradora al máximo.



IMPORTANTE: Para evitar daños a la rueda y motor de la sopladora, siempre reinstale el filtro de cartucho antes de usar la aspiradora para sólidos y líquidos.



IMPORTANTE: Después de limpiar, revise el filtro en busca de rasgaduras o agujeros pequeños. No utilice un filtro dañado. Un orificio pequeño puede ocasionar que mucho polvo se salga de la aspiradora. Reemplácelo de inmediato.



NOTA: Antes de instalar el filtro en la aspiradora, limpie el área de la tapa para que el filtro selle contra la tapa y evite que las partículas pequeñas sobrepasen la bolsa de filtro. Si el filtro está limpio y no dañado, reemplácelo en la rejilla del filtro. Si no puede ser reutilizado, coloque un filtro nuevo en la rejilla del filtro.



NOTA: Limpie el filtro en un área abierta. La limpieza debe hacerse en el exterior y no en lugares habitados.



ADVERTENCIA: No retire la rejilla del filtro ni el flotador. El flotador evita que el agua entre al impulsor y dañe el motor. La rejilla evita que los dedos toquen el impulsor en movimiento.

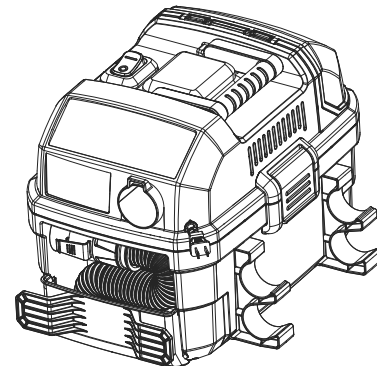
LIMPIEZA

Limpie el exterior con un trapo húmedo con agua tibia y jabón suave. Para limpiar el tanque:

1. Tire los residuos.
2. Lave bien el tanque con agua tibia y jabón suave.
3. Limpie con un trapo seco.

ALMACENAMIENTO

Antes de almacenar la aspiradora, debe vaciar y limpiar el tanque para polvo. Debe enrollar el cable y colgarlo en la unidad, los accesorios deben mantenerse en bolsas de malla para que estén listos y disponibles. La aspiradora debe guardarse en interiores.



SOLUCIÓN DE PROBLEMAS



ADVERTENCIA: Para reducir el riesgo de lesiones debido a partes móviles y/o choque eléctrico, apague el interruptor y desconecte la clavija del enchufe conectado a tierra antes de llevar a cabo labores de solución de problemas.

PROBLEMA DE FUNCIONAMIENTO	RECOMENDACIONES
El motor no enciende.	Verifique el cable de energía, los enchufes y la toma de salida. Asegúrese de que el interruptor esté encendido en la posición de "ON".
La capacidad de succión disminuye.	Retire bloqueos de las boquillas, tubos, mangueras o filtros de succión. Cambie la bolsa de papel o de tela. Verifique que los filtros estén bien instalados. Limpie o cambie el filtro. Vacíe el contenedor y consulte la sección de Vaciado del Tanque en pagina 12.
La aspiradora deja de trabajar.	Se ha disparado la sobrecarga térmica: <ol style="list-style-type: none">1. Apague la aspiradora y desconéctela de la corriente.2. Vacíe el contenedor, de ser necesario.3. Permita que la unidad se enfríe.4. Conecte el cable de energía a un enchufe adecuado y ponga el interruptor en la posición de ON para probar. Si la aspiradora no reinicia, comuníquese con Servicio a Clientes de Uline al 800-295-5510.
Se sale el polvo mientras aspira.	Verifique que los filtros estén bien instalados. Asegúrese de que los filtros no estén dañados; reemplácelos de ser necesario. Asegúrese de que los sellos del filtro estén fijos y en su lugar.

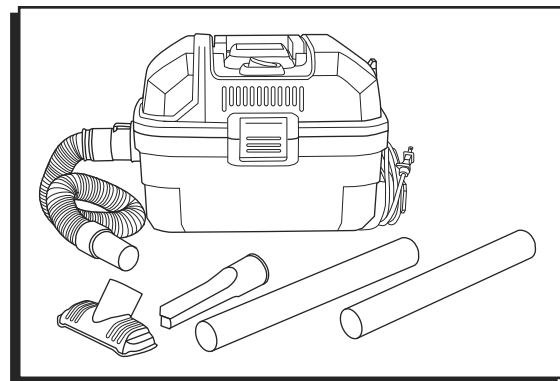
ULINE

800-295-5510
uline.mx

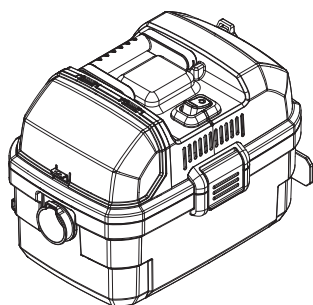
ULINE H-8901

**DEWALT^{MD} – ASPIRATEUR
EAU ET POUSSIÈRE
PORTATIF**

1 800 295-5510
uline.ca



PIÈCES



Aspirateur x 1



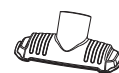
Tuyau flexible de
1 7/8 po x 1



Tube-rallonge x 2



Suceur plat x 1



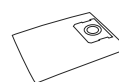
Buse utilitaire x 1



Filtre en mousse
(humide) x 1



Filtre à cartouche x 1



Sac-filtre
jetable x 1

CARACTÉRISTIQUES DU PRODUIT

MODÈLE	H-8901 (DXV04T)
Alimentation	120 V / 60 Hz / 9 A
Moteur	Monoétagé
Capacité du réservoir	4 gallons
Tuyau	1 7/8 po x 7 pi
Cordon d'alimentation	20 pi



REMARQUE : Afin d'éviter les pertes de puissance, utilisez le tableau suivant pour choisir une rallonge ayant un calibre minimal nécessaire.

LONGUEUR DE LA RALLONGE	CALIBRE (A.W.G.)
0 à 50 pi	14
50 à 100 pi	12



AVERTISSEMENT : Utilisez uniquement des rallonges approuvées pour un usage à l'extérieur. Les rallonges en mauvais état ou munies de fils trop petits peuvent présenter un risque d'incendie ou d'électrocution. Pour réduire ces types de risques, assurez-vous que la rallonge est en bon état et qu'aucun liquide n'entre en contact avec le branchement.

INDICATIONS : DIRECTIVES DE SÉCURITÉ

Les indications ci-dessous décrivent le niveau de gravité pour chacune des mentions.



DANGER : indique une situation de danger imminent qui, si elle n'est pas évitée, entraînera des blessures graves ou mortelles.



AVERTISSEMENT : indique une situation de danger potentiel qui, si elle n'est pas évitée, peut entraîner des blessures graves ou mortelles.



MISE EN GARDE : indique une situation de danger potentiel qui, si elle n'est pas évitée, pourrait entraîner des blessures légères à modérées.



AVIS : indique une situation non liée aux blessures personnelles qui, si elle n'est pas évitée, pourrait entraîner des dommages matériels.

SÉCURITÉ



AVERTISSEMENT : Pour éviter le risque de choc électrique, n'exposez pas l'appareil à la pluie. Rangez-le à l'intérieur.



AVERTISSEMENT : Afin de minimiser le risque d'incendie, de chocs électriques et de blessures lors de l'usage d'appareils électriques, respectez toujours les consignes de sécurité élémentaires suivantes :

- Ne laissez jamais l'appareil sans surveillance lorsqu'il est branché à une source d'alimentation. Débranchez-le entre les utilisations et avant l'entretien.
- L'aspirateur ne doit pas être utilisé en tant que jouet. Soyez particulièrement attentif lorsqu'il est utilisé par des enfants ou dans leur proximité.
- Utilisez cet appareil uniquement selon les instructions de ce manuel.
- N'utilisez pas l'appareil si le cordon ou la fiche sont endommagés. Confiez l'appareil à un centre de réparation si l'aspirateur ne fonctionne pas adéquatement, s'il est tombé, s'il est endommagé, s'il a été laissé à l'extérieur ou s'il est tombé dans l'eau.
- Ne tirez pas et ne transportez pas l'appareil par son cordon. N'utilisez pas le cordon comme poignée, ne fermez pas de porte sur le cordon et ne contournez pas des coins ou des rebords tranchants avec le cordon. Ne faites pas rouler l'aspirateur sur le cordon. Maintenez le cordon à l'écart des surfaces chaudes.
- Ne débranchez pas l'appareil en tirant sur le cordon. Pour le débrancher, tirez sur la fiche et non sur le cordon.
- Ne manipulez pas la fiche ou l'appareil avec les mains mouillées.
- N'insérez pas d'objets dans les ouvertures. N'utilisez pas l'appareil lorsqu'une ouverture est obstruée; maintenez les ouvertures exemptes de poussière, de peluche, de cheveux et de tout autre élément pouvant réduire la circulation de l'air.
- Gardez les cheveux, les vêtements amples, les doigts et toute autre partie du corps à l'écart des ouvertures et des pièces en mouvement.
- Éteignez toutes les commandes avant de débrancher l'appareil.
- Soyez particulièrement prudent lorsque vous nettoyez un escalier.
- Ne ramassez ni liquides inflammables ni combustibles, tels que l'essence. N'utilisez pas l'appareil dans les endroits où ces produits peuvent être présents.
- Les décharges statiques sont courantes dans les lieux secs ou lorsque l'humidité relative de l'air est faible. Ceci n'est que temporaire et n'altère en rien l'utilisation de l'appareil. Afin de réduire la fréquence des décharges statiques, le plus simple est d'ajouter de l'humidité dans l'air au moyen d'un humidificateur installé ou portatif ou au moyen d'un tuyau antistatique (de série sur certains modèles).
- Pour éviter une combustion spontanée, videz le récipient après chaque utilisation.
- N'aspirez aucune matière brûlante ou dégageant de la fumée, comme des cigarettes, des allumettes ou des cendres chaudes.
- N'utilisez pas l'appareil pour aspirer les matières explosives combustibles telles que le charbon, les graines et autres particules fines combustibles.
- N'utilisez pas l'appareil pour aspirer des matières dangereuses, toxiques ou cancérigènes telles que l'amiante et les pesticides.
- Ne ramassez jamais des liquides explosifs (p. ex. l'essence, le diesel, le mazout, le diluant à peinture, etc.), des acides ou des solvants.
- N'utilisez pas l'aspirateur sans filtres installés, sauf pour le nettoyage des déchets humides décrit à la page 17.
- Certains bois contiennent des additifs pouvant se montrer toxiques. Prenez des précautions pour éviter une éventuelle inhalation et un contact cutané lorsque vous travaillez avec ces matériaux. Respectez les informations de sécurité mises à la disposition par le fournisseur de matériaux.
- Ne vous servez pas de l'aspirateur comme d'un escabeau.

SÉCURITÉ SUITE

- Ne placez pas d'objets lourds sur l'aspirateur.
- Si vous utilisez une rallonge électrique à l'extérieur, elle doit être dotée de la mention W-A ou W selon la désignation du type de cordon. Par exemple : SJTW-A indique que ceci est acceptable pour un usage extérieur.
- Pour des raisons de sécurité, toute rallonge électrique doit avoir un calibrage adéquat (AWG ou Calibrage américain normalisé des fils). Plus le numéro de calibre des fils est inférieur, plus grande est la capacité du câble. Un cordon de calibre trop faible entraînera une baisse de tension de ligne qui causera une perte de puissance et la surchauffe de l'appareil. Si vous utilisez plusieurs rallonges pour obtenir une longueur totale définie, assurez-vous que chacune d'elles possède le calibrage minimal nécessaire. Le tableau suivant montre le bon calibre à utiliser. En cas de doute, utilisez le calibre supérieur suivant. Plus le numéro de calibre est inférieur, plus le cordon est puissant.

Calibre minimal pour les ensembles de cordon						
Intensité nominale		Volts	Longueur totale du cordon			
		120 V	25 pi	50 pi	100 pi	150 pi
		240 V	50 pi	100 pi	200 pi	300 pi
Plus de	Pas plus de	AWG				
0	6		18	16	16	14
6	10		18	16	14	12
10	12		16	16	14	12
12	13		14	12	non recommandé	



AVERTISSEMENT : Portez toujours une protection auditive conforme à la norme ANSI S12.6 (S3.19) pendant l'utilisation. Dans certaines conditions et selon la durée d'utilisation, le bruit provenant de cet appareil peut contribuer à la perte de l'audition.



AVERTISSEMENT : Portez toujours des lunettes de sécurité. Les lunettes régulières ne sont PAS des lunettes de sécurité. De plus, utilisez un masque facial ou antipoussière si la zone de travail est poussiéreuse. Portez toujours un équipement de sécurité certifié :

- Protection oculaire ANSI Z87.1 (CAN/CSA Z94.3)
- Protection auditive ANSI S12.6 (S3.19)
- Protection respiratoire NIOSH/OSHA/MSHA

Pour réduire l'exposition aux produits chimiques, portez un équipement de sécurité approuvé tel que les masques antipoussière conçus pour filtrer les particules microscopiques.

Pour raison de commodité et de sécurité, l'étiquette d'avertissement suivante se trouve sur l'aspirateur :



AVERTISSEMENT : Ceci est un aspirateur eau et poussière à double isolation. Dans ce type d'aspirateur, deux systèmes d'isolation sont fournis à la place de la mise à la terre. Sur un appareil à double isolation, il n'y a aucune mise à la terre et il n'y a aucun besoin de l'ajouter. L'entretien d'un aspirateur eau et poussière à double isolation demande une prudence extrême et une bonne connaissance du système et ne doit être effectué que par un personnel qualifié. Les pièces de rechange d'un aspirateur eau et poussière à double isolation doivent être identiques aux pièces originales. Un tel aspirateur porte la mention « double isolation » et le symbole (un carré dans un carré) peut aussi se trouver sur l'appareil. Pour réduire les risques de blessures causées par un choc électrique, débranchez le cordon d'alimentation avant d'effectuer l'entretien sur les pièces électriques.



IMPORTANT : En cas de dommages, le cordon d'alimentation doit être remplacé auprès du fabricant, du personnel de service agréé ou par toute autre personne qualifiée afin de prévenir tout risque de danger.



IMPORTANT : Débranchez l'aspirateur de la prise avant de procéder à l'entretien. Avant d'utiliser l'appareil, assurez-vous que la fréquence et la tension indiquées sur la plaque signalétique correspondent à la tension principale. Les caractéristiques et les détails peuvent faire l'objet de modifications sans préavis. Les accessoires figurant dans les illustrations peuvent varier d'un modèle à l'autre.



IMPORTANT : Le symbole se trouvant sur l'article ou l'emballage indique que le produit ne peut être traité en tant que déchet domestique. Il doit être, à la place, déposé dans un lieu de collecte prévu pour le recyclage des composants électriques et électroniques.



AVERTISSEMENT : Pour réduire les risques de blessures, il est impératif que les usagers lisent le manuel d'instruction. Ne laissez pas l'appareil en marche sans surveillance. Ne ramassez pas de matières inflammables, combustibles ou chaudes. N'utilisez pas l'aspirateur à proximité de poussières, de vapeurs ou de liquides explosifs. Les appareils électriques produisent des étincelles ou des arcs électriques pouvant provoquer un incendie ou une explosion. Ne l'utilisez pas dans une station-service ou dans tout endroit où de l'essence est entreposée ou distribuée. N'utilisez pas l'appareil pour aspirer des matières toxiques ou cancérigènes, ou toutes autres matières dangereuses pour la santé telles que l'amiante et les pesticides. Portez toujours une protection respiratoire et oculaire appropriée. Pour éviter le risque de choc électrique, n'exposez pas l'appareil à la pluie. Rangez l'aspirateur à l'intérieur. Lors de l'entretien, utilisez uniquement des pièces de rechange identiques. Ne vous en servez pas comme d'un escabeau.

FONCTIONNEMENT

1. Tirez les loquets du couvercle vers l'extérieur, puis retirez la tête motorisée et tous les accessoires se trouvant dans le réservoir.
2. Avant de replacer la tête motorisée, consultez ces instructions pour vous assurer que les filtres nécessaires au nettoyage sont installés.
3. Remplacez la tête motorisée et poussez avec votre pouce sur chaque loquet jusqu'à ce qu'il s'enclenche fermement en place. Assurez-vous que tous les loquets du couvercle sont bien enclenchés.
4. Insérez l'extrémité du tuyau d'air dans l'entrée du réservoir.
5. Fixez les tubes-rallonges à l'autre extrémité du tuyau. Appuyez légèrement jusqu'à ce que le raccord soit bien ajusté.
6. Fixez l'un des accessoires de nettoyage (en fonction de vos besoins de nettoyage) sur les tubes-rallonges. Tournez légèrement pour serrer le raccordement.
7. Assemblez le tuyau, les tubes-rallonges et la buse utilitaire.
8. Branchez le cordon d'alimentation dans une prise murale.
9. Placez l'interrupteur d'alimentation en position « I » pour allumer l'aspirateur.
10. Lorsque terminé avec l'aspirateur, placez l'interrupteur d'alimentation en position « O » pour éteindre, puis débranchez le cordon d'alimentation.



AVERTISSEMENT : Pour réduire les risques d'incendie ou d'explosion, n'utilisez pas l'aspirateur dans des zones où l'air contient de la poussière explosive, des gaz ou des vapeurs inflammables. Les gaz et les vapeurs inflammables incluent sans se limiter : l'essence à briquet, les nettoyeurs au solvant, les peintures à base d'huile, l'essence, l'alcool ou les bombes aérosol. Les poussières explosives incluent sans se limiter : le charbon, le magnésium, l'aluminium, les graines et la poudre noire. N'aspirez pas la poussière explosive, les liquides inflammables et combustibles ou les cendres chaudes. Ne vous servez pas de l'aspirateur comme d'un vaporisateur de liquides inflammables ou combustibles. Afin de réduire tout risque de santé causé par les poussières et les vapeurs, n'aspirez pas les matières toxiques.



AVERTISSEMENT : L'utilisation d'un aspirateur peut entraîner la projection de corps étrangers dans les yeux, ce qui peut conduire à des lésions oculaires. Portez toujours des lunettes de sécurité en conformité avec la norme ANSI Z87.1 (ou CSA Z94.3 au Canada) avant d'utiliser l'appareil.

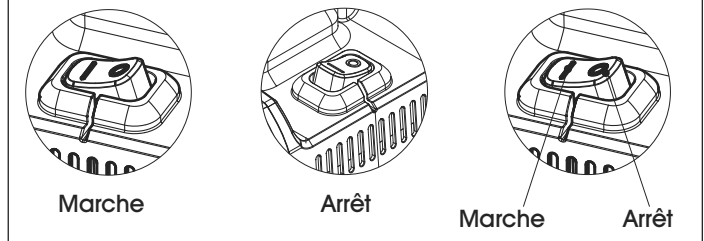


MISE EN GARDE : Afin de réduire les risques de perte de l'audition, portez une protection auditive lors d'une utilisation de l'aspirateur sur une longue période de temps ou dans un endroit bruyant.



REMARQUE : L'appareil est prêt pour pouvoir aspirer à sec ou souffler. Après avoir branché le cordon d'alimentation dans la prise murale, mettez l'appareil en marche en appuyant sur l'interrupteur. (Voir Figure 1)

Figure 1



NETTOYAGE DE DÉCHETS SECS

1. Le filtre doit toujours être bien placé pour réduire les risques de fuites et éviter d'endommager l'aspirateur. Assurez-vous que le filtre recouvre bien la cage de filtre. Assurez-vous qu'il n'y a aucun espace entre le filtre et le couvercle. Il est donc important de bien assembler le filtre sur la cage pour ne permettre aucune fuite ou déchirure. En cas de fuites, les débris aspirés seront expulsés par l'orifice arrière dans l'espace ambiant.
2. Lorsque vous utilisez l'aspirateur pour ramasser la poussière très fine, il est nécessaire de vider le réservoir et de nettoyer et remplacer le filtre à intervalles plus fréquents pour conserver une puissance d'aspiration optimale de l'appareil.



REMARQUE : Un filtre sec est nécessaire pour le nettoyage des matières sèches. Si vous utilisez l'aspirateur pour ramasser la poussière alors que le filtre est mouillé, celui-ci finira par être rapidement encrassé et il sera très difficile de le nettoyer. Si le filtre devient mouillé, remplacez-le avant de reprendre le nettoyage.

NETTOYAGE DE DÉCHETS HUMIDES



REMARQUE : L'aspirateur ne nécessite que peu d'ajustement lorsqu'il passe du nettoyage de déchets secs au nettoyage de déchets humides. Un filtre à cartouche propre peut être utilisé pour nettoyer de petites quantités de liquide. Pour de meilleurs résultats lors du nettoyage de grandes quantités de liquide, il est recommandé d'utiliser le filtre en mousse et de l'installer sur la cage de filtre; si le filtre n'est pas retiré, il sera saturé et de la buée peut apparaître dans la sortie d'air. Il est recommandé dans ce cas-là de sécher ou de remplacer le filtre afin d'éliminer la formation de buée et la possibilité que le liquide s'égoutte autour du couvercle.

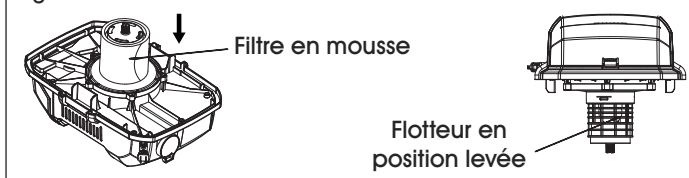
1. Pour retirer le filtre à cartouche réutilisable afin de nettoyer de grandes quantités de liquides, déverrouillez les loquets et retirez la tête de moteur de l'aspirateur à l'aide de la poignée.

FONCTIONNEMENT SUITE

2. Tournez le bouton du filtre dans le sens antihoraire jusqu'à entendre un déclic. Assurez-vous d'aligner la flèche du bouton avec le symbole « Déverrouiller » du capuchon de filtre. Faites glisser le filtre à cartouche hors de la cage du couvercle. Saisissez fermement le cran du bouton avec les doigts pour retirer le filtre à cartouche de la cage.
3. Assurez-vous que le filtre en mousse est bien en place sur la cage de filtre.
4. Assurez-vous que le sac-filtre jetable est enlevé. Pour l'enlever, retirez-le de l'orifice d'aspiration.
5. Remplacez la tête de moteur sur le réservoir et encliquez les loquets. Assurez-vous que les loquets sont bien positionnés et enclenchés fermement en place.

Cet aspirateur est doté d'un mécanisme à flotteur qui s'élève automatiquement pour couper la circulation d'air si le liquide venait à atteindre un niveau prédéterminé dans le réservoir. La circulation de l'air est interrompue lorsque l'aspiration cesse et le bruit du moteur devient aigu à cause d'une augmentation de la vitesse du moteur. Dans ce cas, éteignez immédiatement l'aspirateur et videz le liquide dans le réservoir pour éviter d'endommager l'aspirateur. (Voir Figure 2)

Figure 2



IMPORTANT : Pour minimiser les risques de dommages, n'utilisez pas cet appareil avec le flotteur en position levée.



REMARQUE : Si l'appareil bascule par accident, il peut alors couper la succion. Si cela se produit, remettez l'aspirateur à l'endroit et éteignez-le. Le flotteur retournera à sa position normale.



REMARQUE : Après avoir fini avec le nettoyage de déchets humides, soulevez le tuyau pour que l'excès d'eau puisse être évacué dans le réservoir avant d'éteindre l'aspirateur. L'intérieur du réservoir et le filtre en mousse doivent être lavés périodiquement, et particulièrement après avoir ramassé des déchets visqueux et humides. Ceci peut être fait avec une solution d'eau chaude et de savon.

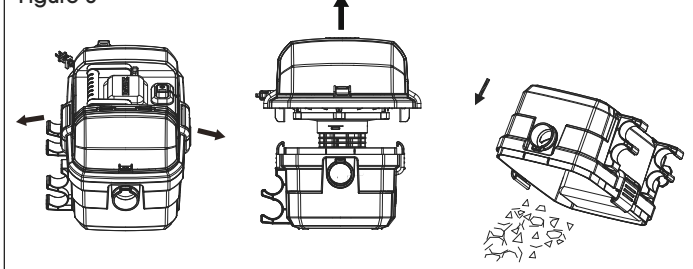
VIDANGE DU RÉSERVOIR



AVERTISSEMENT : Pour réduire les risques de blessures causées par une mise en marche accidentelle, débranchez l'appareil avant de vider le réservoir.

1. Retirez la tête motorisée en déclenchant les pinces du couvercle situées de chaque côté de l'aspirateur. Soulevez l'ensemble de la tête motorisée.
2. Videz le contenu dans un récipient approprié d'élimination de déchets. (Voir Figure 3)

Figure 3



FONCTION DE SOUFFLAGE



AVERTISSEMENT : Portez toujours des lunettes de sécurité en conformité avec la norme ANSI Z87.1 (ou CSA Z94.3 au Canada) lorsque vous utilisez la fonction de soufflage.



AVERTISSEMENT : Pour éviter de blesser les personnes aux alentours, évitez de souffler les débris dans leur direction.



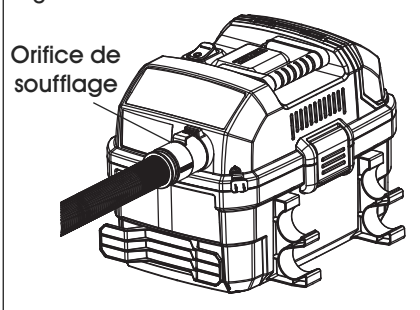
MISE EN GARDE : Portez un masque antipoussière pour ne pas respirer la poussière qui pourrait se former.



MISE EN GARDE : Afin de réduire les risques de perte de l'audition, portez une protection auditive lors d'une utilisation de l'aspirateur sur une longue période de temps ou dans un endroit bruyant.

1. Identifiez l'orifice de soufflage sur l'aspirateur.
2. Insérez-y une des extrémités du tuyau de 1 7/8 po x 7 pi. (Voir Figure 4)
3. Allumez l'aspirateur.

Figure 4



INSTALLATION DU FILTRE À CARTOUCHE

Le filtre peut être utilisé pour le nettoyage des déchets secs ou humides. L'installation est identique dans les deux cas.

1. Avec la tête motorisée placée à l'envers, faites glisser le filtre à cartouche vers le bas, sur la cage du couvercle, et poussez jusqu'à ce que le filtre repose fermement contre la tête motorisée.
2. Tournez le bouton du dispositif de retenue du filtre dans le sens horaire pour verrouiller le filtre en place.
3. Pour retirer et nettoyer le filtre, tournez le bouton du filtre dans le sens antihoraire jusqu'à sentir et entendre un déclic. Alignez la flèche du bouton avec le symbole « Déverrouiller » du capuchon de filtre et faites glisser le filtre à cartouche de la cage du couvercle.

REMPACEMENT DU FILTRE



AVERTISSEMENT : Pour réduire les risques de blessures causées par une mise en marche accidentelle, débranchez l'appareil avant de changer ou nettoyer le filtre. Le filtre devrait être nettoyé fréquemment pour conserver une puissance d'aspiration optimale de l'appareil.



IMPORTANT : Pour éviter d'endommager la roue de soufflage et le moteur, réinstallez toujours le filtre avant d'utiliser l'aspirateur pour le nettoyage des déchets secs ou humides.



IMPORTANT : Après le nettoyage, inspectez le filtre pour tout signe de déchirures ou de perforations. N'utilisez pas de filtre endommagé. Même une perforation minime peut laisser une grande quantité de poussière s'échapper. Remplacez-le immédiatement.



REMARQUE : Avant l'installation d'un filtre sur l'aspirateur, nettoyez la surface du couvercle pour que le filtre repose contre le couvercle et empêche les petites particules de passer à côté du sac-filtre. Si le filtre est propre et intact, replacez-le sur la cage de filtre. S'il ne peut être réutilisé, placez un nouveau filtre sur la cage de filtre.



REMARQUE : Nettoyez le filtre dans un espace ouvert. Le nettoyage doit se faire à l'extérieur et non dans l'espace habitable.



AVERTISSEMENT : Ne retirez ni la cage de filtre ni le flotteur. Le flotteur sert à empêcher que l'eau ne s'infilte dans la turbine et n'endommage le moteur. La cage sert à protéger les doigts pour qu'ils n'entrent pas en contact avec la turbine.

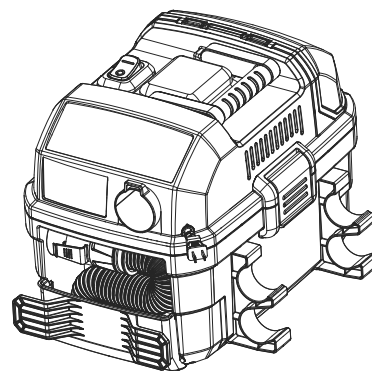
NETTOYAGE

Nettoyez l'extérieur avec un chiffon trempé dans de l'eau tiède et un savon doux. Pour nettoyer le réservoir :

1. Videz toute la saleté.
2. Lavez bien le réservoir avec de l'eau tiède et un savon doux.
3. Essuyez avec un chiffon sec.

RANGEMENT

Avant de ranger l'aspirateur, le réservoir doit être vidé et nettoyé. Le cordon doit être enroulé et accroché sur l'appareil tandis que les accessoires doivent être rangés dans le sac en filet, et ainsi disponibles à l'usage. L'aspirateur doit être rangé à l'intérieur.



DÉPANNAGE



AVERTISSEMENT : Pour réduire le risque de blessures causées par des pièces mobiles ou par des chocs électriques, mettez l'appareil hors tension et débranchez la fiche de mise à la terre de la prise électrique avant d'effectuer les vérifications de dépannage.

PROBLÈME	RECOMMANDATIONS
Le moteur ne fonctionne pas.	Vérifiez le cordon d'alimentation, les fiches et la prise. Assurez-vous que l'interrupteur marche/arrêt est en position ON.
La capacité d'aspiration diminue.	Éliminez les blocages se trouvant dans la buse d'aspiration, le tube d'aspiration, le tuyau ou dans les filtres. Remplacez le sac à poussière en papier ou en molleton. Vérifiez que les filtres sont bien installés. Nettoyez ou remplacez les filtres. Videz le réservoir et consultez la section Vider le réservoir dans la page 19.
L'aspirateur cesse de fonctionner.	La surcharge thermique s'est déclenchée : <ol style="list-style-type: none">1. Éteignez l'aspirateur et débranchez-le de la source d'alimentation.2. Videz le réservoir si nécessaire.3. Laissez l'appareil refroidir.4. Branchez le cordon d'alimentation sur une autre prise et essayez d'allumer l'appareil pour le tester. Si l'aspirateur ne s'allume pas, contactez le service à la clientèle de Uline au 1 800 295-5510.
L'aspirateur émet de la poussière pendant l'utilisation.	Vérifiez que le filtre est bien installé. Assurez-vous que les filtres ne sont pas endommagés; remplacez-les au besoin. Assurez-vous que les joints du filtre sont en place et bien fixés.

ULINE

1 800 295-5510
uline.ca