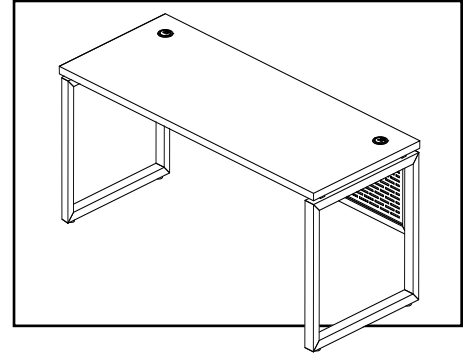


TABLE OF CONTENTS**DESK, L-DESK, L-DESK WITH HUTCH**

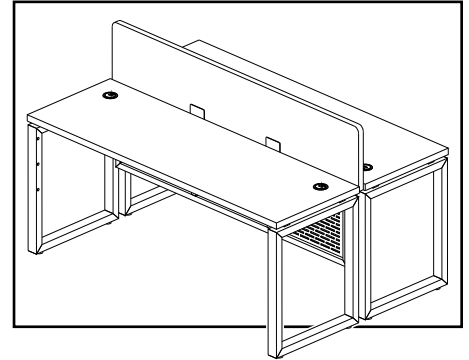
Pages 2-7

H-9778	H-9781	H-10355
H-9779	H-10353	H-10356
H-9780	H-10354	H-12338

**BACK-TO-BACK WORKSTATION**

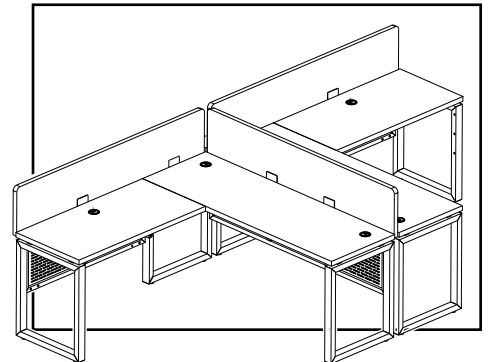
Pages 8-12

H-11743
H-11745

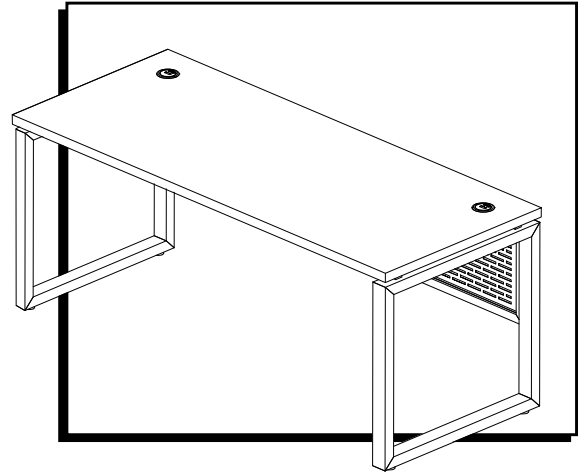
**L-DESK WORKSTATION**

Pages 13-19

H-11744
H-11746



For L-Desk with adjustable height return, refer to instructions included with the adjustable height return base.



TOOL NEEDED



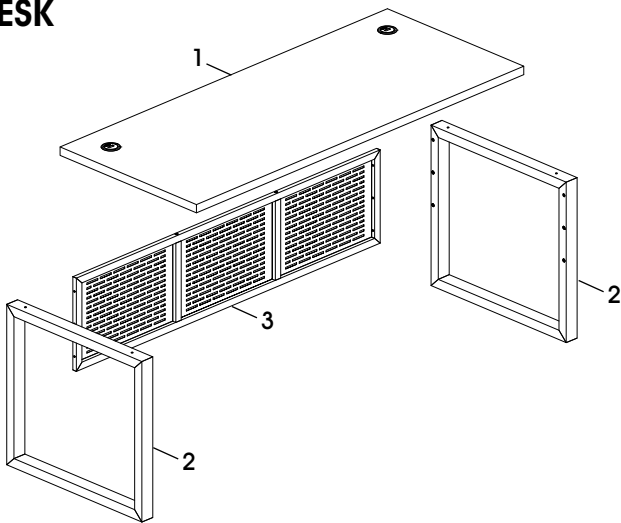
4 mm Allen Wrench
(included)



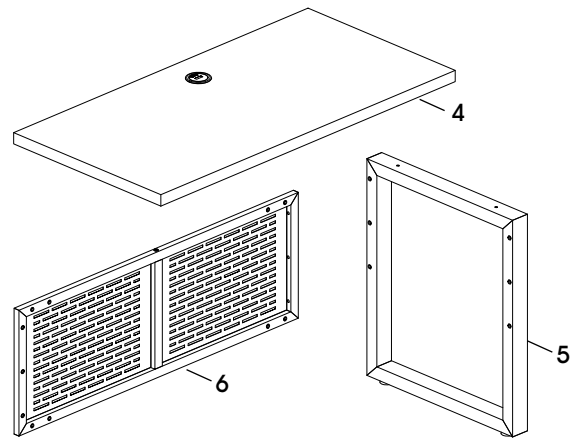
Two Person Assembly
Recommended

PARTS

DESK



OPTIONAL L-DESK RETURN



DESK PARTS

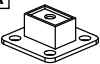
#	DESCRIPTION	QTY.
1	Desktop	1
2	Leg Frame	2
3	Modesty Panel	1

OPTIONAL L-DESK RETURN PARTS

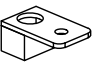
#	DESCRIPTION	QTY.
4	Return Desktop	1
5	Return Leg Frame	1
6	Return Modesty Panel	1

DESK HARDWARE

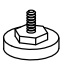
- A**




Leg Frame Connector x 4
- B**




Modesty Panel Connector x 2
- C**




Adjustable Glide x 4
- D**




M6 x 55 mm Bolt x 4
- E**



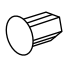
M6 x 45 mm Bolt x 6
- F**



M6 x 15 mm Bolt x 20
- G**

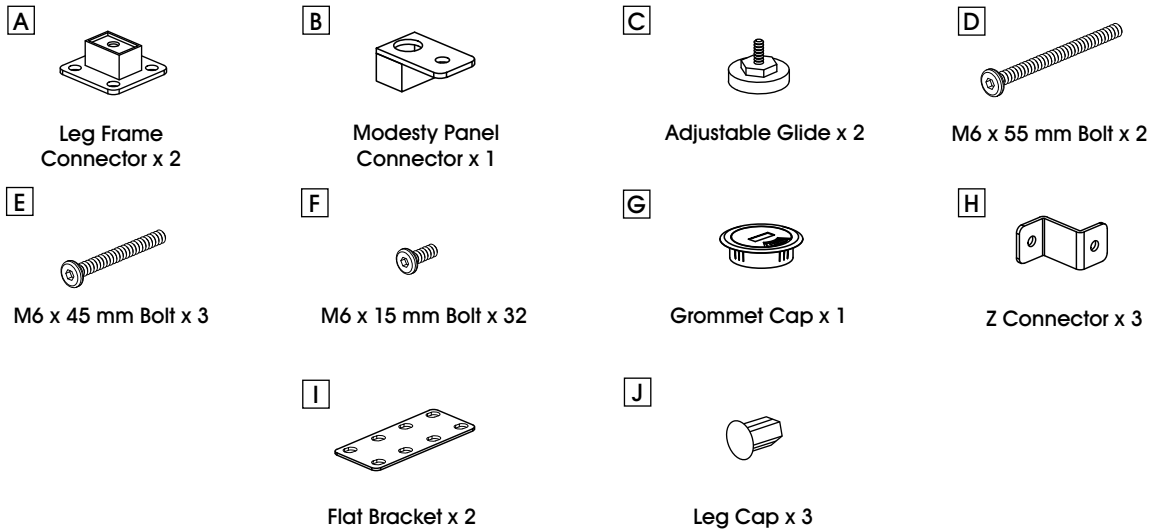


Grommet Cap x 2
- J**









Leg Cap x 6

L-DESK RETURN HARDWARE



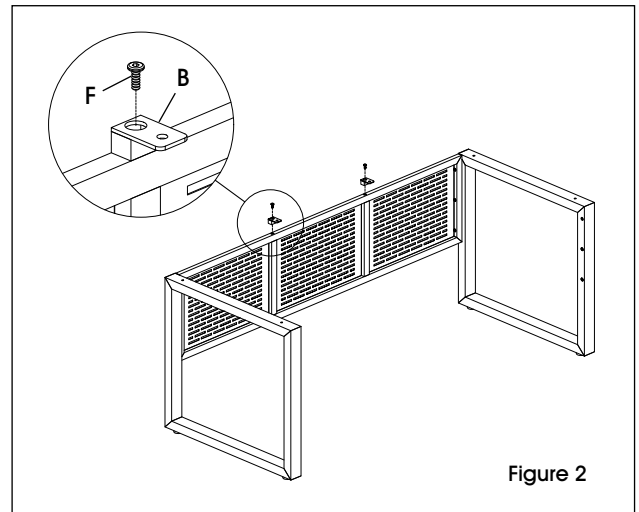
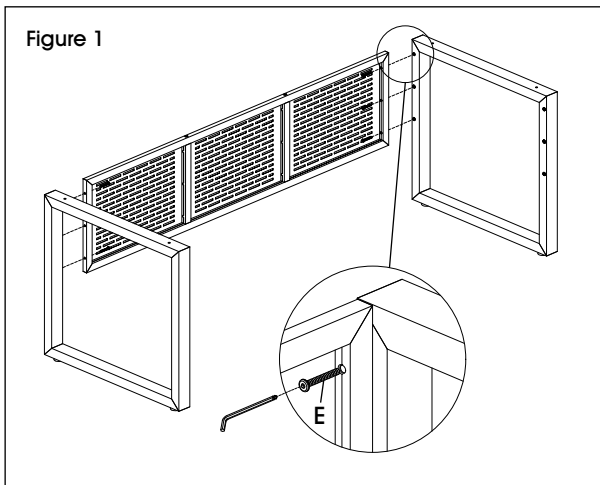
DESK AND L-DESK INSTRUCTIONS

-  **NOTE:** Count and inspect all pieces before disposing of any carton or packing materials.
-  **NOTE:** Assemble unit on a smooth, non-marring surface to prevent scratching.
-  **NOTE:** Tighten all bolts using 4 mm Allen wrench.
-  **NOTE:** Adjustable glides and grommet caps come pre-attached.

-  For standard desk assembly, proceed to step 2. For L-Desk or L-Desk with Hutch assembly, proceed to L-Desk Return Assembly on page 4.
- 2. Align two modesty panel connectors (B) with holes in top of modesty panel. Attach using two M6 x 15 mm bolts (F) and tighten. (See Figure 2)
-  **NOTE:** For 48 x 24" desk, only one modesty panel connector will be attached.

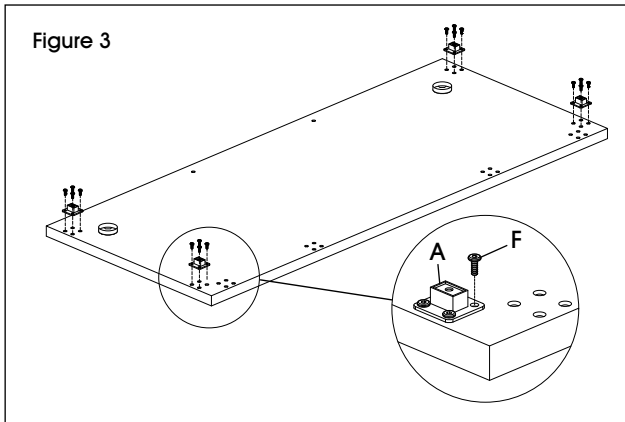
DESK ASSEMBLY

1. Align holes on one side of modesty panel with holes in leg frame. Insert three M6 x 45 mm bolts (E) and tighten. Repeat on opposite side. (See Figure 1)

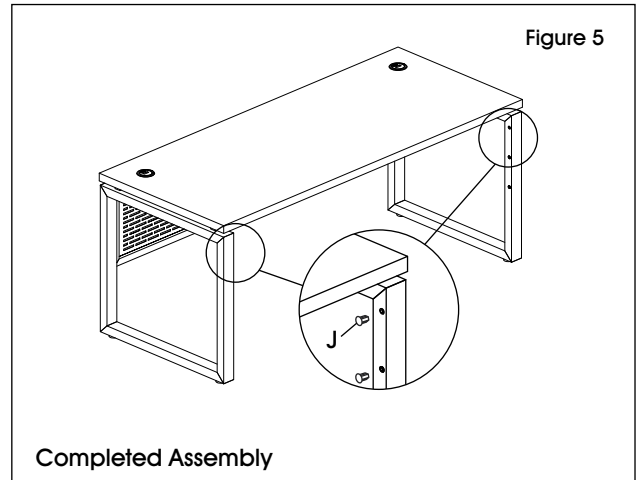


DESK AND L-DESK INSTRUCTIONS CONTINUED

- Place desktop upside down. Align leg frame connector (A) with holes in corner of desktop. Insert four M6 x 15 mm bolts (F) and tighten. Repeat for three remaining leg frame connectors. (See Figure 3)

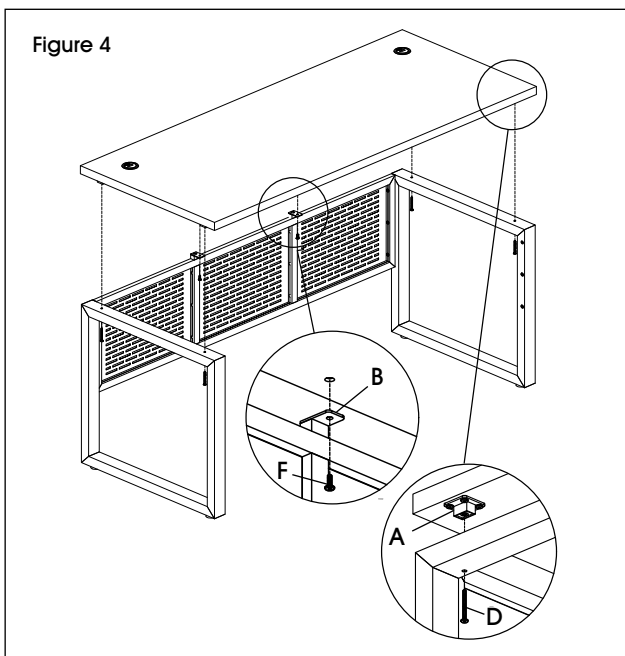


- Insert six leg caps (J) into the leg frames. (See Figure 5)




- With a second person, carefully lift the desktop over the assembled frame. Align the holes in the frame with the holes in the leg frame connectors (A). (See Figure 4)
- Insert four M6 x 55 mm bolts (D) through the leg frames into the leg frame connectors and tighten. Insert two M6 x 15 mm bolts (F) through the modesty panel connectors (B) into the rear of the desktop and tighten. (See Figure 4)

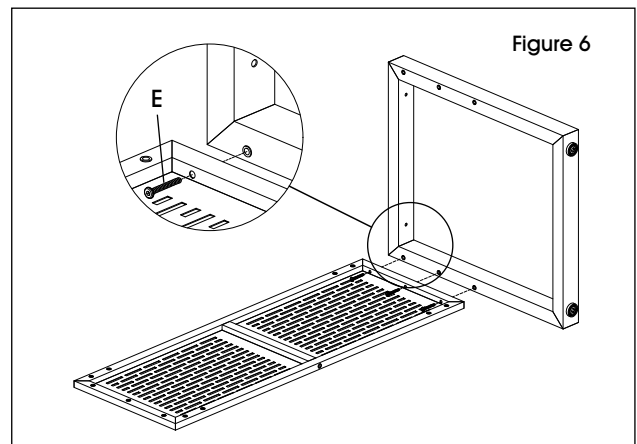
 **NOTE:** For 48 x 24" desk, only one M6 x 15 mm bolt will be inserted.



L-DESK RETURN ASSEMBLY


 **NOTE:** Determine whether L-Desk will be set up for right-hand or left-hand configuration. This will impact how the return is assembled. Assembly of a right-hand L-Desk is shown in the following figures. For left-hand L-Desk configuration, the opposite sides will be connected.

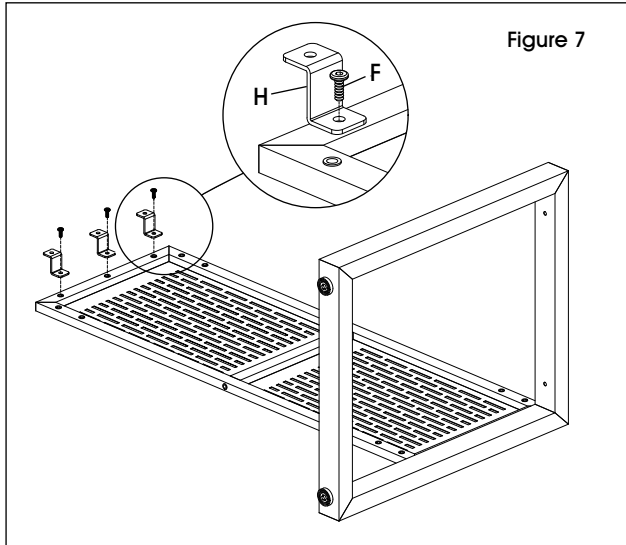
- Align holes on right side of the return modesty panel with the holes in the left side of the return leg frame. Insert three M6 x 45 mm bolts (E) and tighten. (See Figure 6)



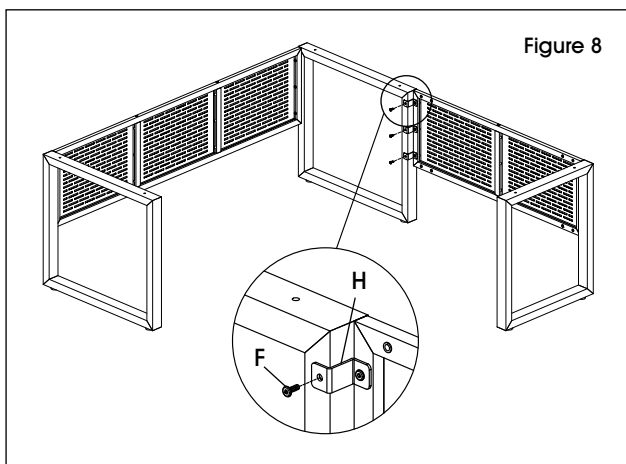
DESK AND L-DESK INSTRUCTIONS CONTINUED

- Align holes on the three Z connectors (H) with the left side of the return modesty panel. Insert three M6 x 15 mm bolts (F) and tighten. (See Figure 7)

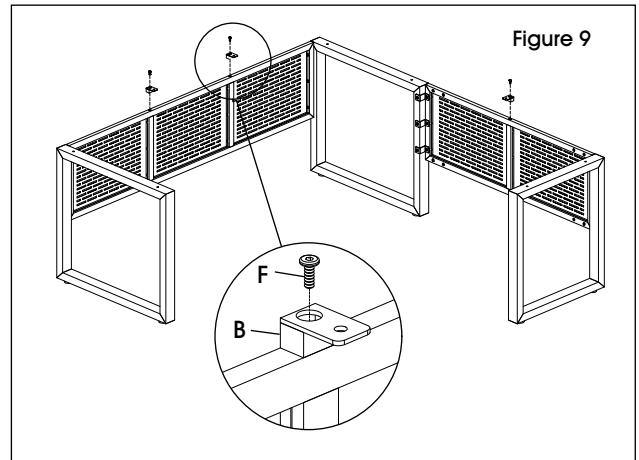
 **NOTE:** There will be unused holes in the corners of the return modesty panel. These can be disregarded as they are designed for other product configurations.



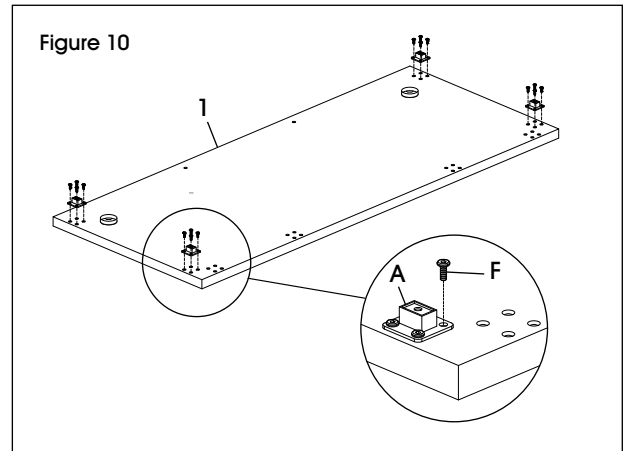
- With a second person, carefully move the return frame to the right side of the desk frame. Align holes on the Z connectors (H) with the front of the right leg frame. Insert three M6 x 15 mm bolts (F) and tighten. (See Figure 8)



- Align three modesty panel connectors (B) with holes on top of modesty panels. Attach using three M6 x 15 mm bolts (F) and tighten. (See Figure 9)



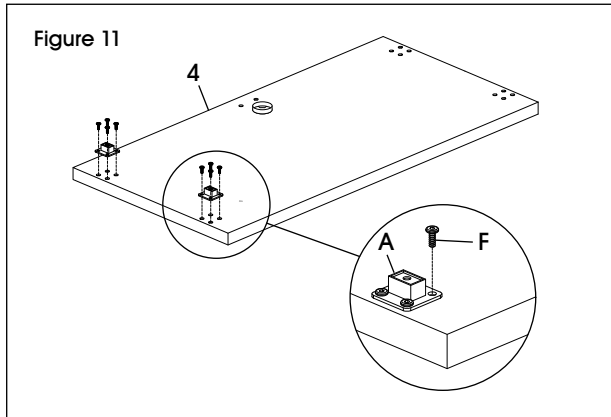
- Place desktop (1) upside down. Align leg frame connector (A) with holes in corner of desktop. Insert four M6 x 15 mm bolts (F) and tighten. Repeat for three remaining leg frame connectors. (See Figure 10)



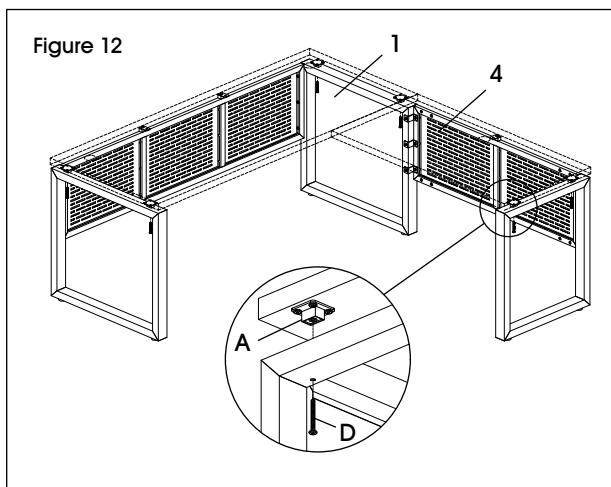
DESK AND L-DESK INSTRUCTIONS CONTINUED

6. Place return desktop (4) upside down. Align leg frame connector (A) with holes in corner of return desktop. Insert four M6 x 15 mm bolts (F) and tighten. Repeat for remaining leg frame connector. (See Figure 11)

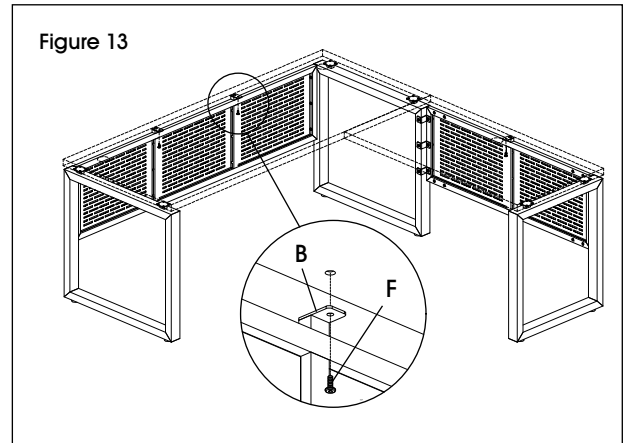
 **NOTE:** For left-hand L-Desk configuration, leg frame connectors should be attached to opposite side of return desktop.



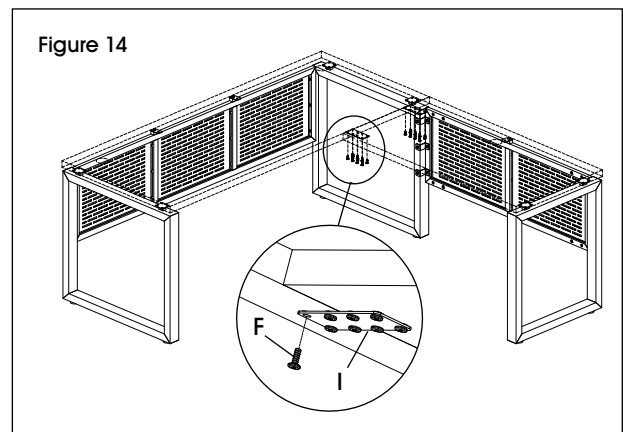
7. Using two people, carefully lift the desktop (1) over the assembled frame and align the holes in the frame with the holes in the leg frame connectors. Insert four M6 x 55 mm bolts (D) through the leg frames into the leg frame connectors (A) and tighten. (See Figure 12)
8. Carefully lift the return desktop (4) over the assembled frame and align the holes in the frame with the holes in the leg frame connectors. Insert two M6 x 55 mm bolts (D) through the return leg frame into the leg frame connectors and tighten. (See Figure 12)



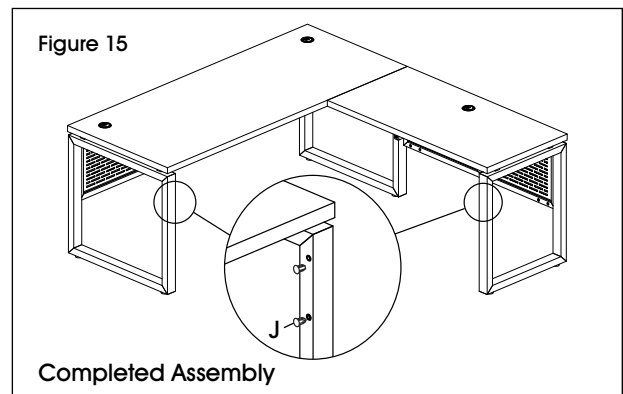
9. Insert three M6 x 15 mm bolts (F) through the three modesty panel connectors (B) into the rear of the desktop and return desktop and tighten. (See Figure 13)



10. To connect desktop and return desktop, align flat bracket (I) with holes in desktop and return desktop. Insert eight M6 x 15 mm bolts (F) and tighten. Repeat for the opposite flat bracket. (See Figure 14)



11. Insert six leg caps (J) into the main desk leg frame and return leg frame. (See Figure 15)

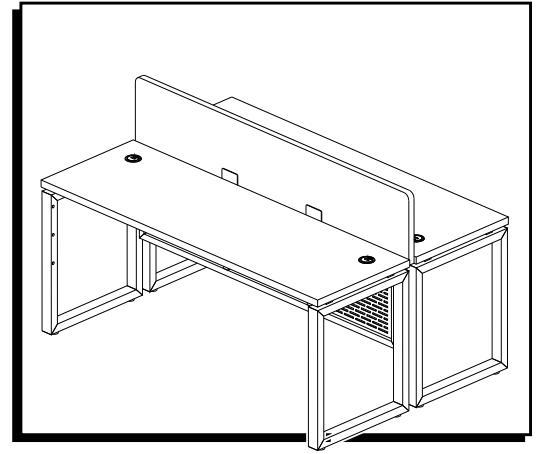


 **NOTE:** If assembling L-Desk with Hutch, proceed to hutch assembly instructions included with H-12339.

ULINE

1-800-295-5510
uline.com

**BACK-TO-BACK
WORKSTATION**



TOOL NEEDED



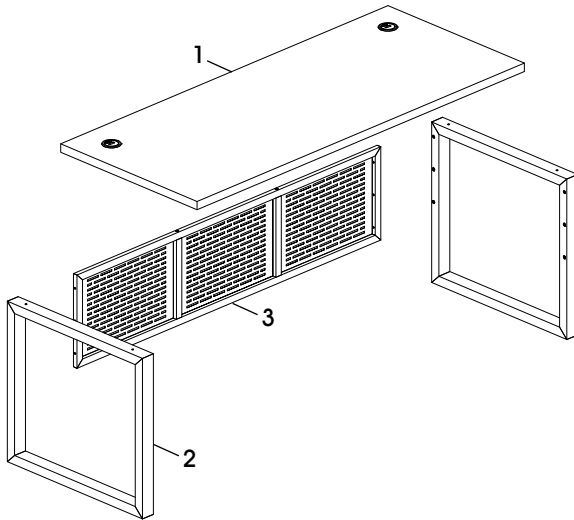
4 mm Allen Wrench
(included)



Two Person Assembly
Recommended

DESK PARTS

DESK

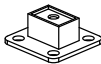


DESK PARTS

#	DESCRIPTION	QTY.	
		72 x 48" 2-Person (H-11743)	144 x 48" 4-Person (H-11745)
1	Desktop	2	4
2	Leg Frame	4	8
3	Modesty Panel	2	4

DESK HARDWARE

A



Leg Frame Connector
(H-11743 x 8)
(H-11745 x 16)

C



Adjustable Glide
(H-11743 x 8)
(H-11745 x 16)

D



M6 x 55 mm Bolt
(H-11743 x 8)
(H-11745 x 16)

E



M6 x 45 mm Bolt
(H-11743 x 12)
(H-11745 x 24)

F



M6 x 15 mm Bolt
(H-11743 x 32)
(H-11745 x 64)

G



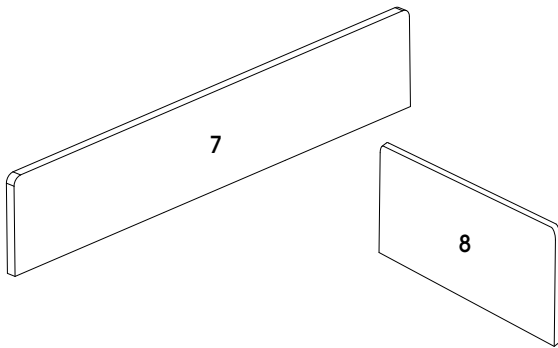
Grommet Cap
(H-11743 x 4)
(H-11745 x 8)

J



Leg Cap
(H-11743 x 12)
(H-11745 x 24)

PANEL PARTS



PANEL PARTS

#	DESCRIPTION	QTY.	
		72 x 48" 2-Person (H-11743)	144 x 48" 4-Person (H-11745)
7	72" Fabric Panel	1	2
8	24" Fabric Panel	0	2

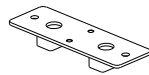
PANEL HARDWARE

F



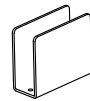
M6 x 15 mm Bolt
(H-11743 x 8)
(H-11745 x 24)

L



Dual Modesty Panel
Connector
(H-11743 x 2)
(H-11745 x 4)

M



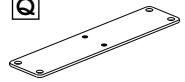
U-Bracket
(H-11743 x 2)
(H-11745 x 6)

N



M6 x 10 mm Bolt
(H-11743 x 4)
(H-11745 x 12)

Q



Flat Connector Bracket
(x 2 for H-11745 only)

BACK-TO-BACK WORKSTATION INSTRUCTIONS



NOTE: Count and inspect all pieces before disposing of any carton or packing materials.



NOTE: Assemble unit on a smooth, non-marring surface to prevent scratching.

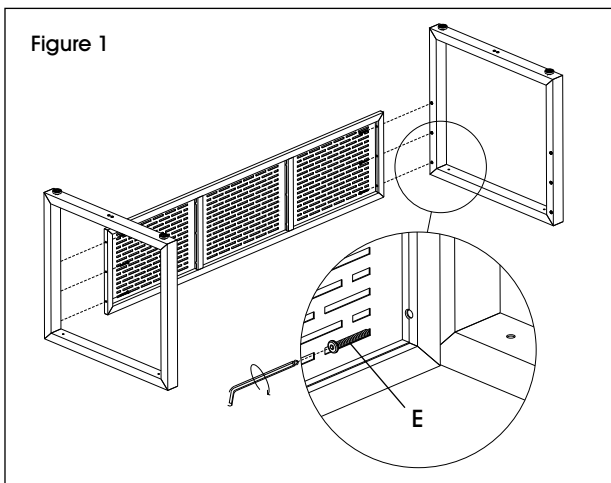


NOTE: Tighten all bolts using 4 mm Allen wrench.

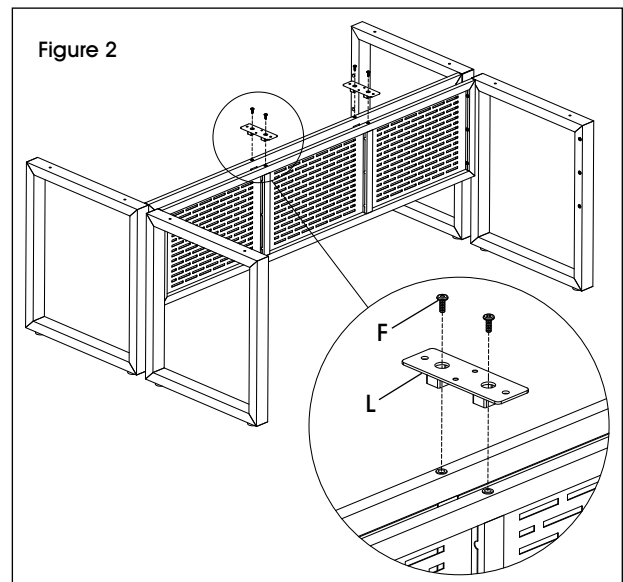


NOTE: Adjustable glides and grommet caps come pre-attached.

1. Align holes on one side of modesty panel with holes in leg frame. Insert three M6 x 45 mm bolts (E) and tighten. Repeat on opposite side. (See Figure 1)

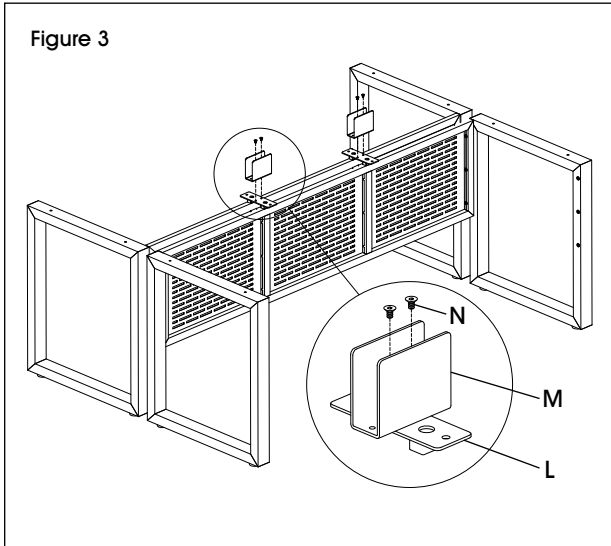


2. Repeat steps 1 and 2 with remaining leg frames and modesty panel.
3. With a second person, position frames with modesty panels facing each other. Align dual modesty panel connectors (L) with holes in top edge of modesty panels and attach using four M6 x 15 mm bolts (F). (See Figure 2)

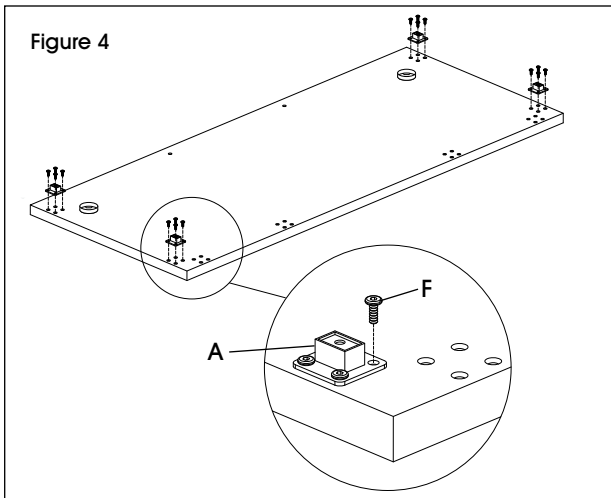


BACK-TO-BACK WORKSTATION INSTRUCTIONS CONTINUED

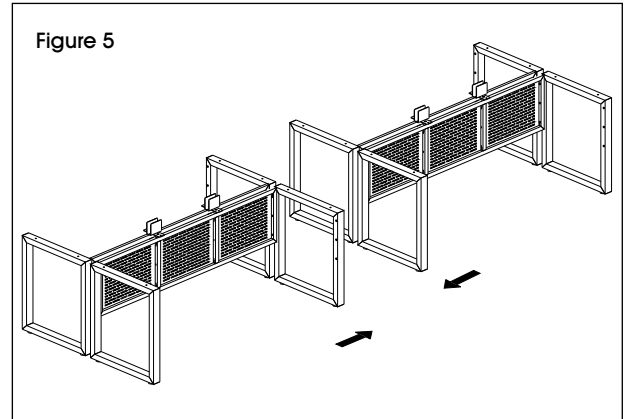
- Install two U-Brackets (M) into each dual modesty panel connector (L) using four M6 x 10 mm bolts (N). (See Figure 3)



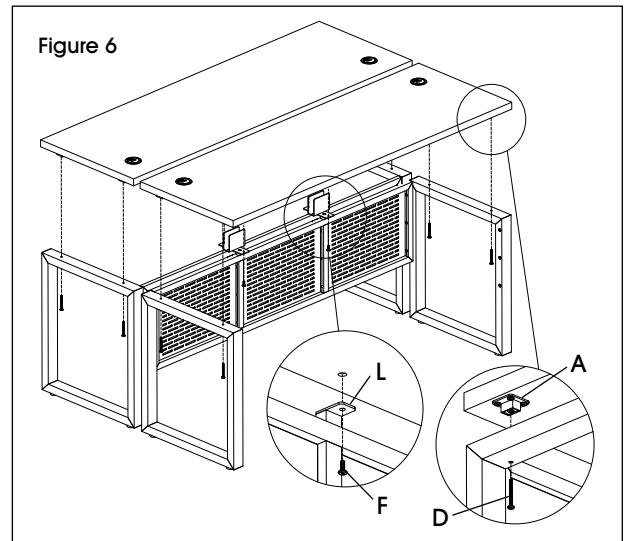
- With a second person, place desktop upside down. In each corner of the desktop, align leg frame connectors (A) with holes in corner of desktop. Insert four M6 x 15 mm bolts (F) and tighten. Repeat on remaining desktop. (See Figure 4)



If assembling Uline model # H-11745 4-Person Workstation, repeat steps 1-6 with remaining components. Position both assembled workstation frames side by side. (See Figure 5)



- With a second person, carefully lift one of the desktops onto the assembled frame. Align the holes in the leg frame with the holes in the leg frame connectors (A). Insert four M6 x 55 mm bolts (D) through the leg frames into the leg frame connectors and tighten. Insert two M6 x 15 mm bolts (F) through the dual modesty panel connectors (L) into the rear of the desktop and tighten. Repeat with the remaining desktops. (See Figure 6)

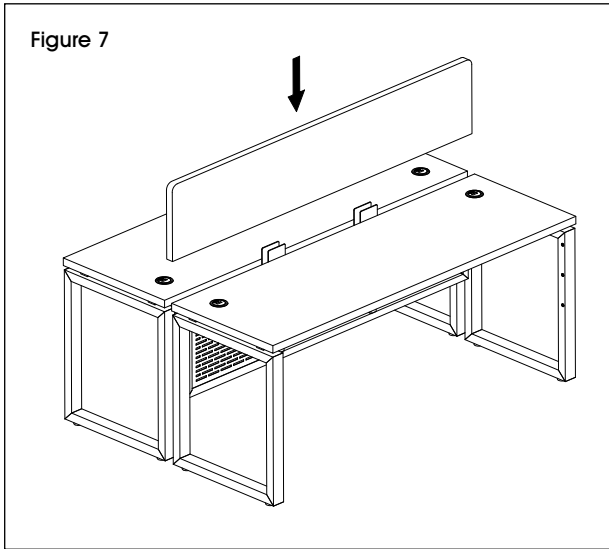


If assembling Uline model # H-11743 2-Person Workstation, proceed to step 7.
If assembling Uline model # H-11745 4-Person Workstation, proceed to step 9.

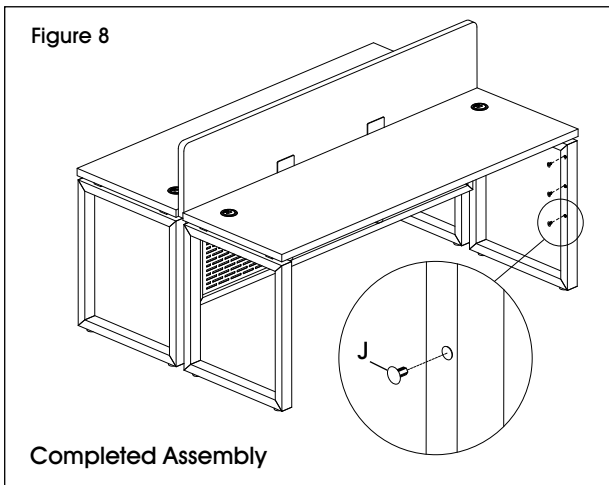
BACK-TO-BACK WORKSTATION INSTRUCTIONS CONTINUED

2-PERSON BACK-TO-BACK WORKSTATION

7. With a second person, place 72" fabric panel in the U-Brackets. (See Figure 7)

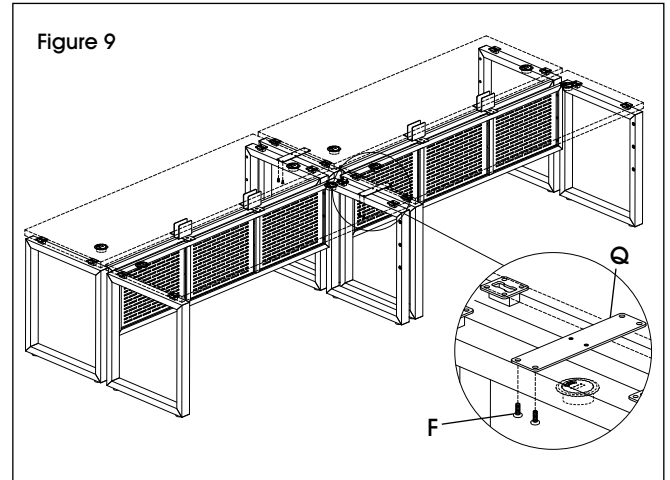


8. Insert leg caps (J) into desktop. (See Figure 8)

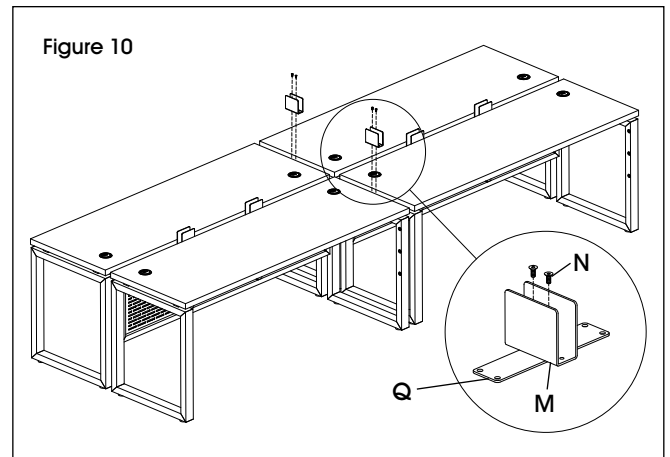


4-PERSON BACK-TO-BACK WORKSTATION

9. Slide two flat connector brackets (Q) between the leg frames and desktops. Align with the holes underneath the desktops and install using eight M6 x 15 mm bolts (F). (See Figure 9)

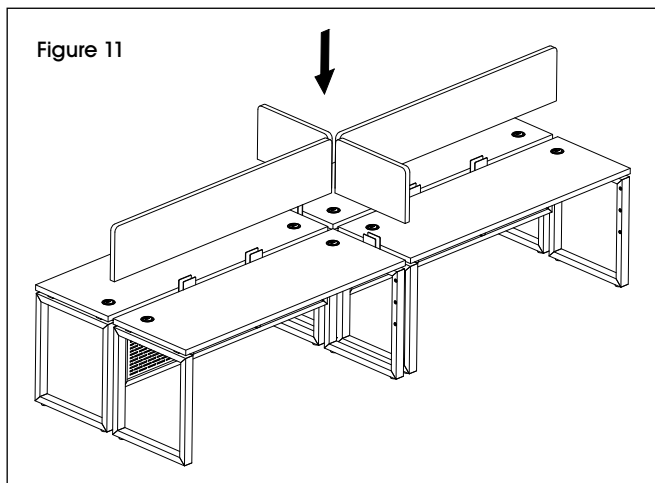


10. Attach U-Brackets (M) to each flat bracket (Q) using four M6 x 10 mm bolts (N). (See Figure 10)

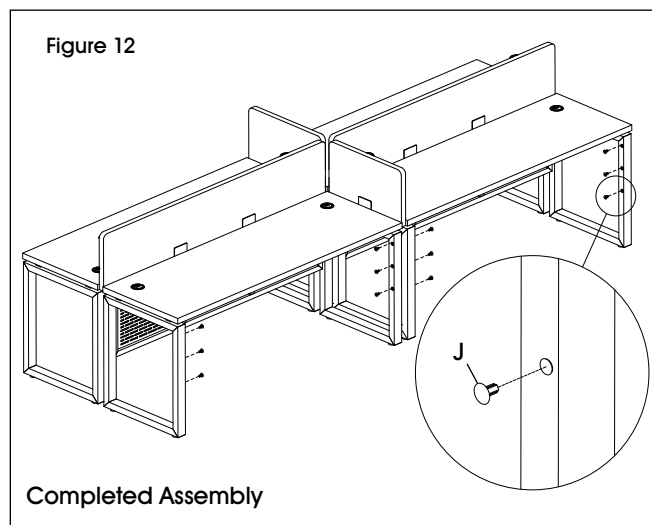


BACK-TO-BACK WORKSTATION INSTRUCTIONS CONTINUED

11. Install 72" and 24" fabric panels into U-Brackets.
(See Figure 11)



12. Insert leg caps (J) into leg frame. (See Figure 12)

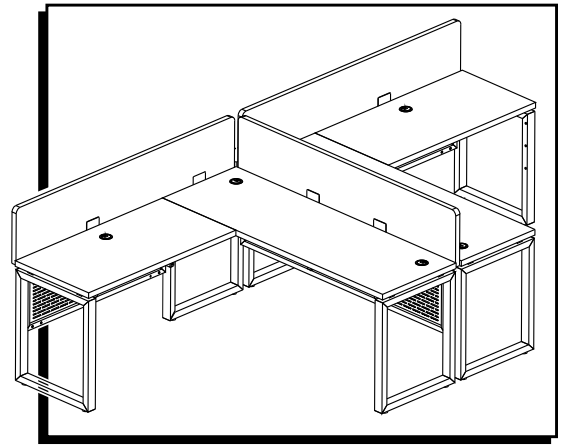


ULINE

1-800-295-5510
uline.com

ULINE H-11744, H-11746 L-DESK WORKSTATION

1-800-295-5510
uline.com



TOOL NEEDED



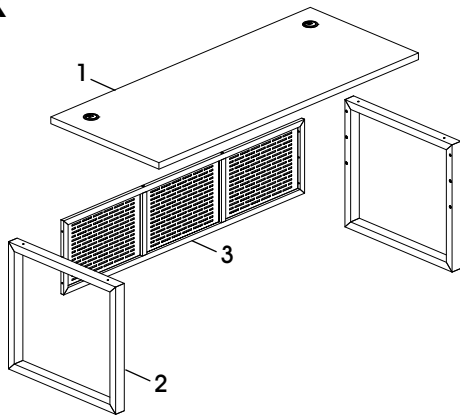
4 mm Allen Wrench
(included)



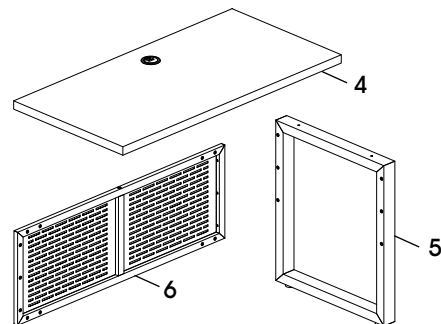
Two Person Assembly
Recommended

L-DESK PARTS

DESK



RETURN DESK

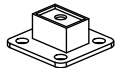


DESK AND RETURN DESK PARTS

#	DESCRIPTION	QTY.	
		72 x 48" 2-Person L-Desk (H-11744)	144 x 48" 4-Person L-Desk (H-11746)
1	Desktop	2	4
2	Leg Frame	4	8
3	Modesty Panel	2	4
4	Return Desktop	2	4
5	Return Leg Frame	2	4
6	Return Modesty Panel	2	4

L-DESK HARDWARE

A



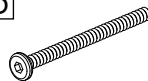
Leg Frame Connector
(H-11744 x 10)
(H-11746 x 22)

C



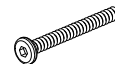
Adjustable Glide
(H-11744 x 12)
(H-11746 x 24)

D



M6 x 55 mm Bolt
(H-11744 x 10)
(H-11746 x 22)

E



M6 x 45 mm Bolt
(H-11744 x 18)
(H-11746 x 36)

F



M6 x 15 mm Bolt
(H-11744 x 84)
(H-11746 x 176)

G



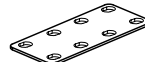
Grommet Cap
(H-11744 x 6)
(H-11746 x 12)

H



Z Connector
(H-11744 x 6)
(H-11746 x 12)

I



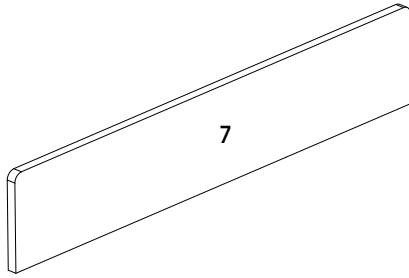
Flat Bracket
(H-11744 x 4)
(H-11746 x 8)

J



Leg Cap
(H-11744 x 12)
(H-11746 x 24)

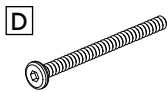
L-DESK FABRIC PANEL PARTS



FABRIC PANEL PARTS

#	DESCRIPTION	QTY.	
		72 x 48" 2-Person L-Desk (H-11744)	144 x 48" 4-Person L-Desk (H-11746)
7	72" Fabric Panel	3	6

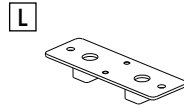
L-DESK FABRIC PANEL HARDWARE



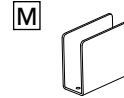
M6 x 55 mm Bolt
(H-11744 x 2)
(H-11746 x 2)



M6 x 15 mm Bolt
(H-11744 x 20)
(H-11746 x 40)



Dual Modesty Panel Connector
(H-11744 x 2)
(H-11746 x 4)



U-Bracket
(H-11744 x 6)
(H-11746 x 12)



M6 x 10 mm Bolt
(H-11744 x 12)
(H-11746 x 24)



Single Modesty Panel Connector with Holder
(H-11744 x 2)
(H-11746 x 4)



Leg Frame Connector with Holder
(H-11744 x 2)
(H-11746 x 2)



Flat Connector Bracket
(x 2 for H-11746 only)

L-DESK INSTRUCTIONS



NOTE: Count and inspect all pieces before disposing of any carton or packing materials.



NOTE: Assemble unit on a smooth, non-marring surface to prevent scratching.



NOTE: Tighten all bolts using 4 mm Allen wrench.

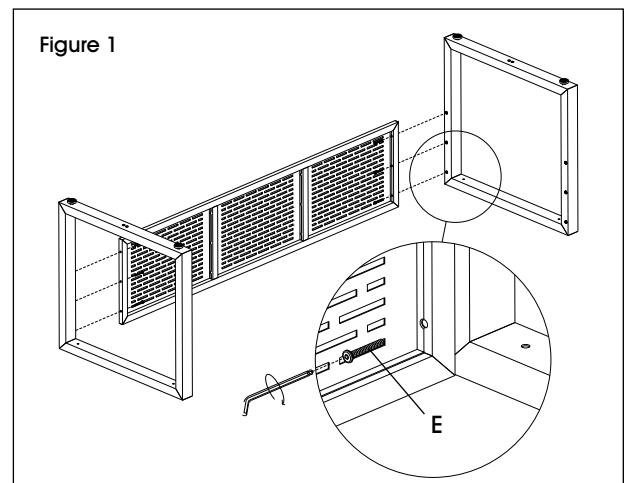


NOTE: Adjustable glides and grommet caps come pre-attached.



NOTE: The following figures show a 2-person workstation frame built with one left-hand configuration L-Desk and one right-hand configuration L-Desk.

1. Align holes on one side of modesty panel with holes in leg frame. Insert three M6 x 45 mm bolts (E) and tighten. Repeat on opposite side. (See Figure 1)

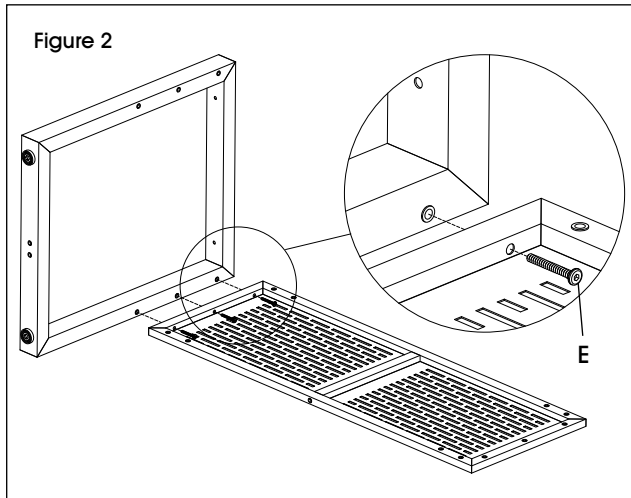


2. Repeat step 1 with remaining modesty panel and leg frames.


L-DESK INSTRUCTIONS CONTINUED

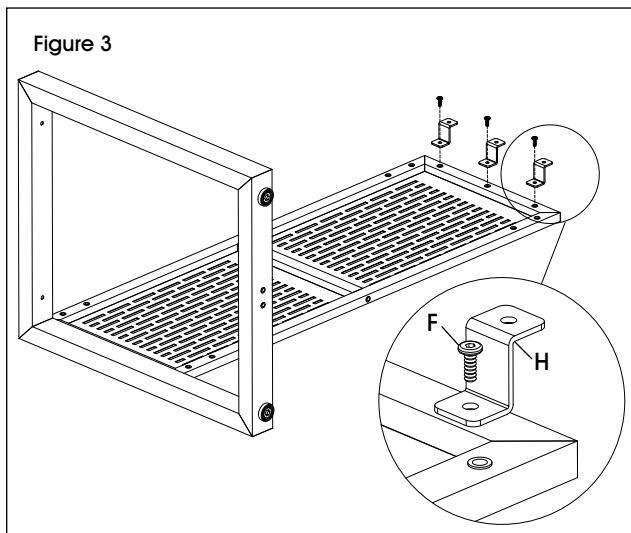
3. For left-hand desk, align holes on left side of return modesty panel with the holes in the right side of the return leg frame. Insert three M6 x 45 mm bolts (E) and tighten. For right-hand desk, install return leg frame on opposite side of return modesty panel. (See Figure 2)

 **NOTE:** Left-hand return desk configuration shown.

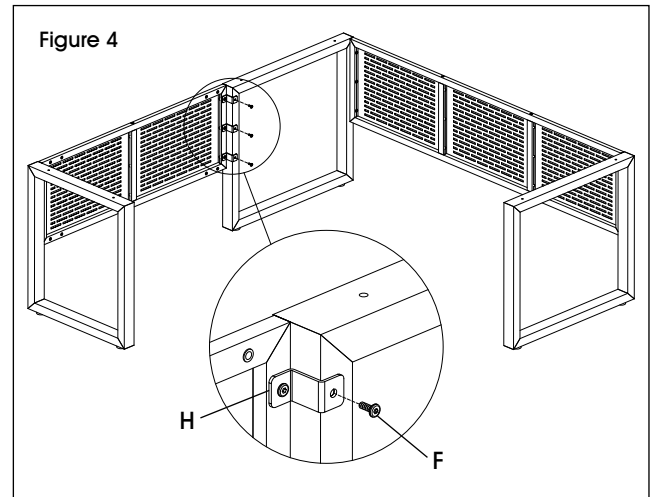


4. Align holes on three Z connectors (H) with holes in the return modesty panel. Insert three M6 x 15 mm bolts (F) and tighten. (See Figure 3)

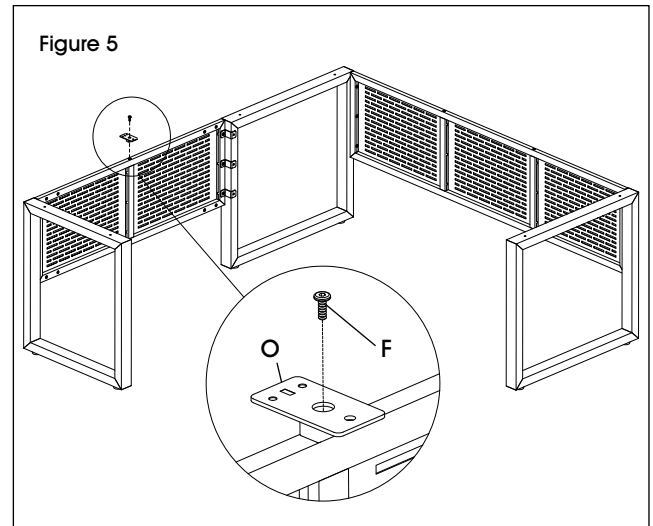
 **NOTE:** There will be unused holes in the corners of the return modesty panel. Unused holes are designed for other product configurations.



5. With a second person, carefully align the holes on three Z connectors (H) with the front of the left leg frame. Insert three M6 x 15 mm bolts (F) and tighten. (See Figure 4)



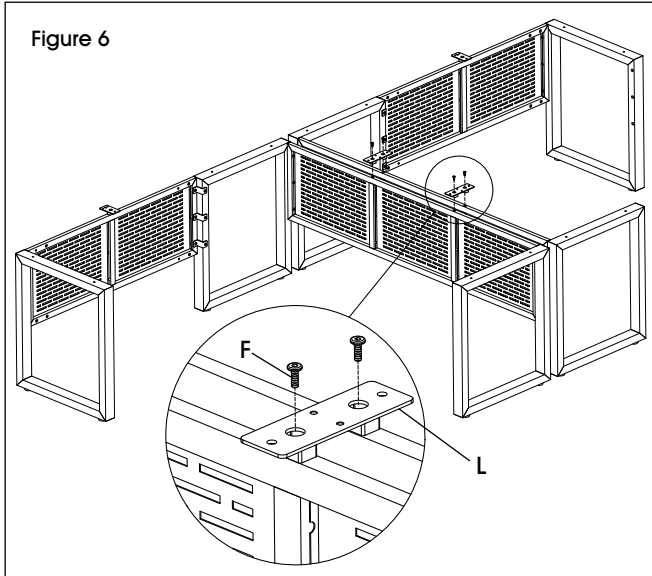
6. Use one M6 x 15 mm bolt (F) to attach one single modesty panel connector with holder (O) to the top edge of the return modesty panel. (See Figure 5)



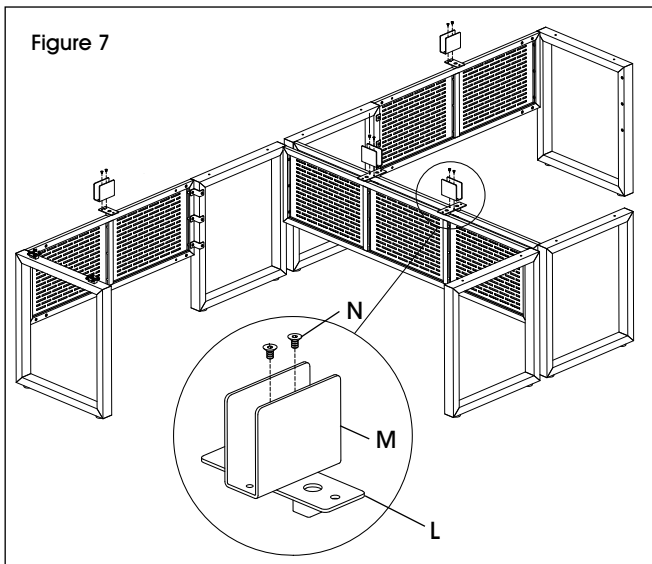
7. Repeat steps 4-6 with remaining desk and return frame.

L-DESK INSTRUCTIONS CONTINUED

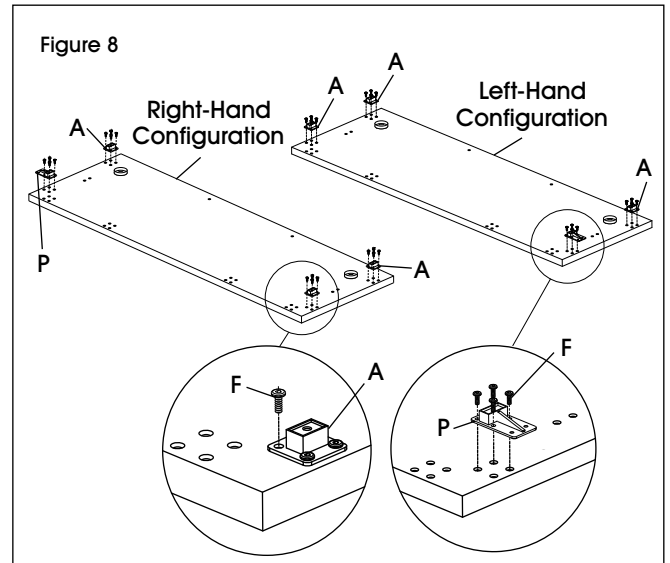
8. With a second person, position frames with modesty panels facing each other. Align two dual modesty panel connectors (L) with holes in the top edge of each modesty panel. Attach using four M6 x 15 mm bolts (F). (See Figure 6)



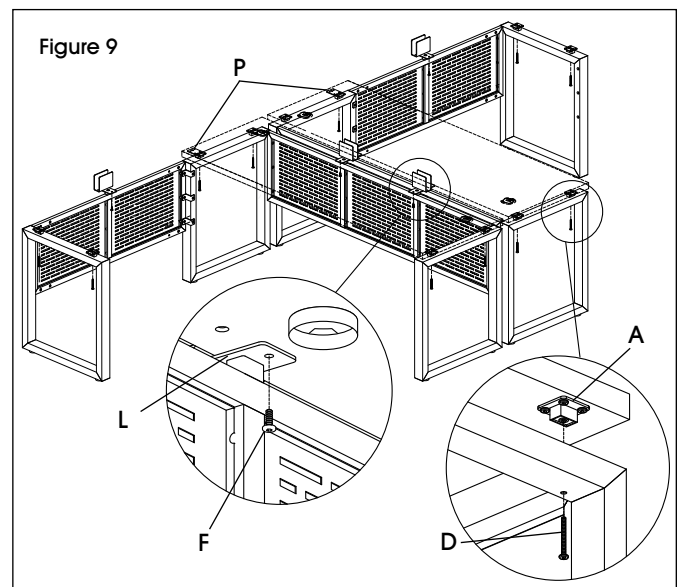
9. Install U-Bracket (M) into the modesty panel connectors with holders (L, O) using eight M6 x 10 mm bolts (N). (See Figure 7)



10. With a second person, place the main desktop upside down. Install a leg frame connector with holder (P) into the corner that will be placed closest to the return. Install standard leg frame connectors (A) in the remaining corners of the desktop. Attach using M6 x 15 mm bolts (F). Refer to Figure 9 for correct locations of each leg frame connector. (See Figure 8)

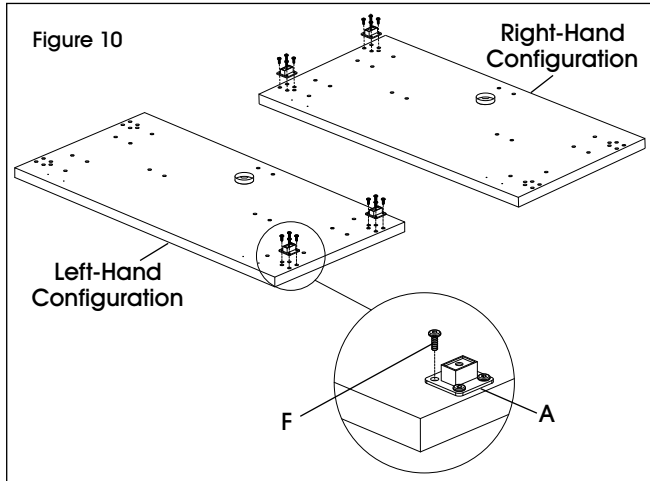


11. With a second person, carefully lift desktop onto the assembled frame. Align the holes in the frame with the holes in the leg frame connectors (A, P). Insert four M6 x 55 mm bolts (D) to attach each desktop to the leg frames. Insert two M6 x 15 mm bolts (F) through the modesty panel connectors (L) of each desk and tighten. Repeat with remaining desktop. (See Figure 9)

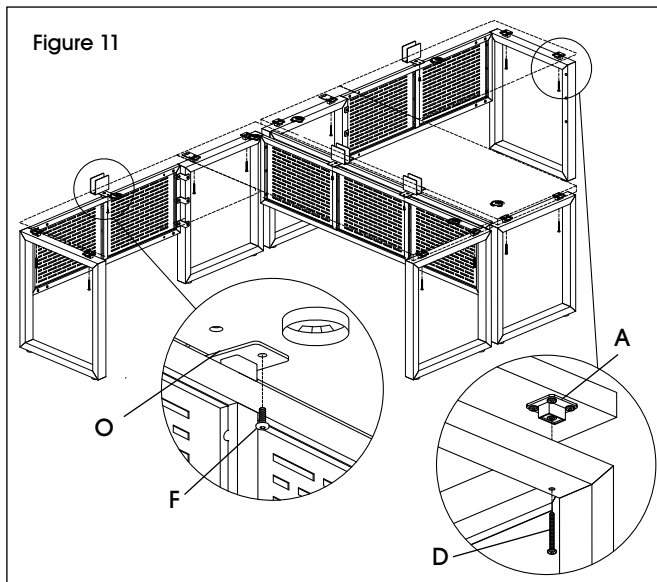


L-DESK WORKSTATION INSTRUCTIONS CONTINUED

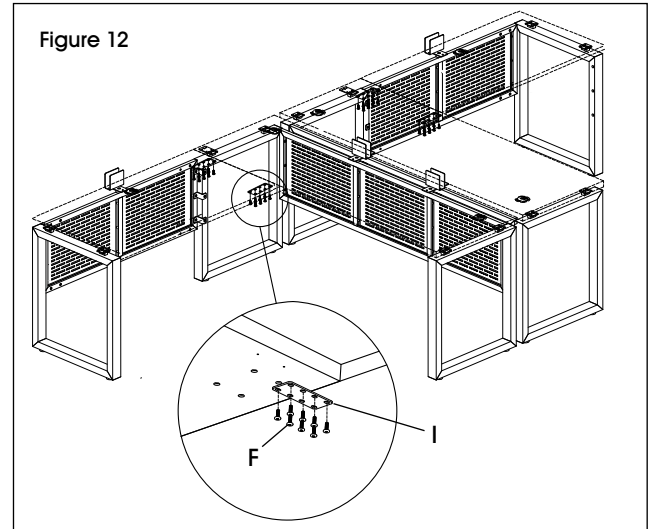
12. Place return desktop upside down. Align each leg frame connector (A) with holes in corner of return desktop and install using four M6 x 15 mm bolts (F). Repeat for remaining leg frame connector. Refer to Figure 11 for correct locations of each leg frame connector. (See Figure 10)



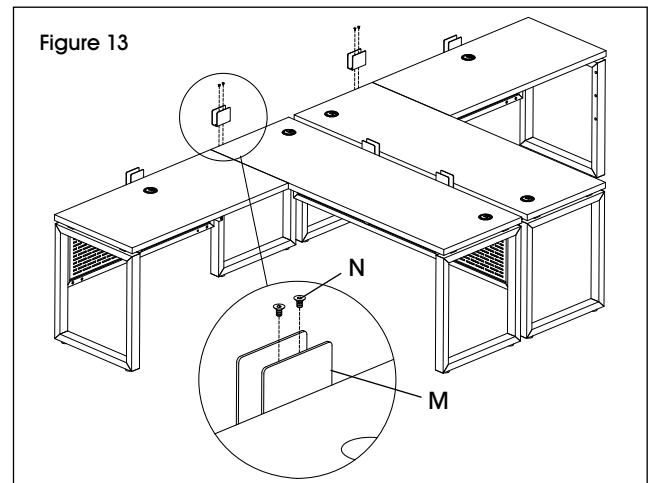
13. With a second person, carefully lift the return desktop over the assembled frame. Insert two M6 x 55 mm bolts (D) through the return leg frame into the leg frame connectors (A) and tighten. Insert one M6 x 15 mm bolt (F) through the return modesty panel connector with holder (O) into the rear of the return desktop and tighten. Repeat with remaining return desktop. (See Figure 11)



14. To connect desktop and return desktop, align flat bracket (I) with holes underneath each desktop. Insert eight M6 x 15 mm bolts (F) and tighten. Repeat for the other flat brackets. (See Figure 12)

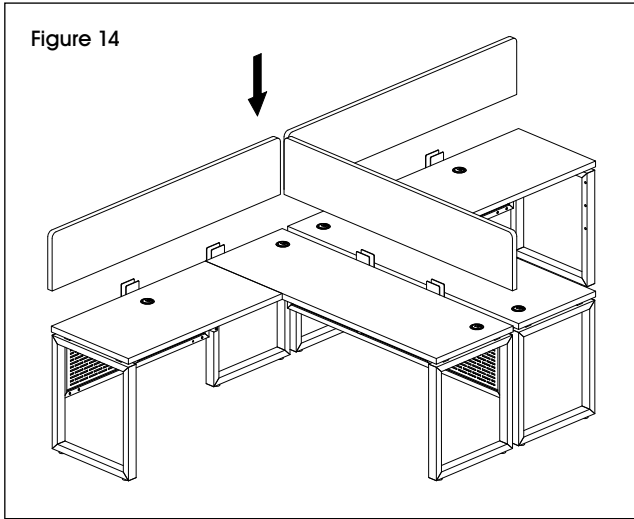


15. Install two U-Brackets (M) to the single leg frame connectors with holder using M6 x 10 mm bolts (N). (See Figure 13)

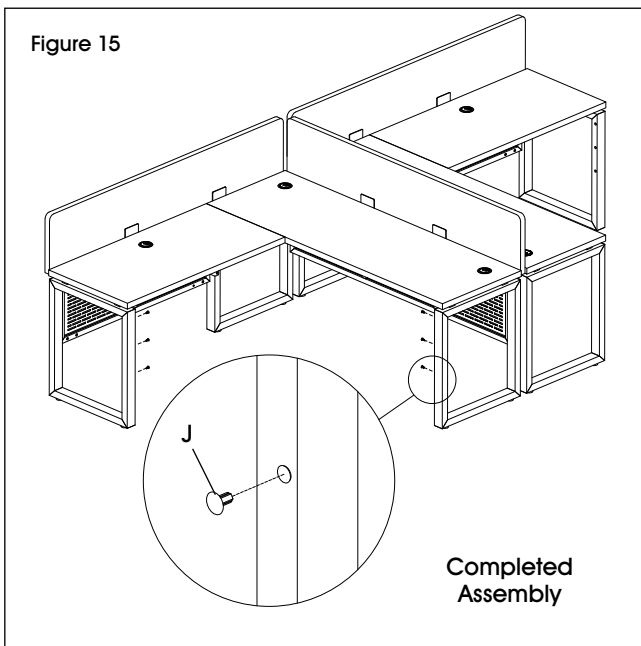


L-DESK WORKSTATION INSTRUCTIONS CONTINUED

16. Insert 72" panels along the desktops and returns.
(See Figure 14)

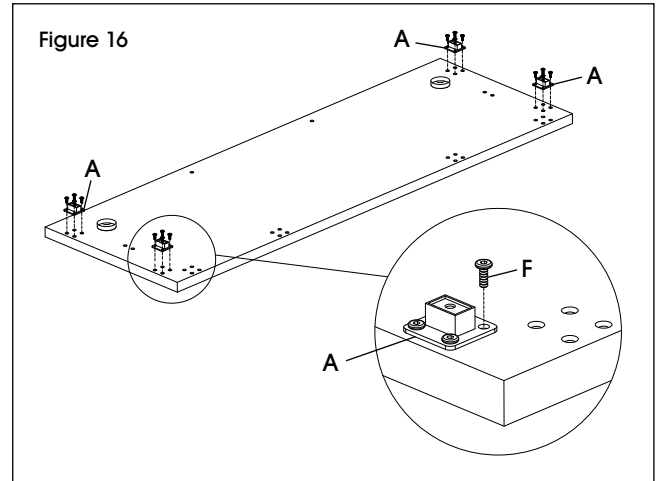


17. Insert leg caps (J). (See Figure 15)

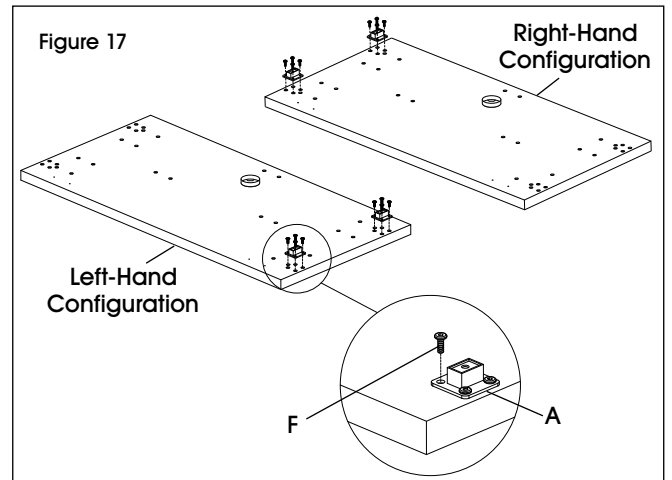


4-PERSON L-DESK ASSEMBLY

18. Repeat steps 1-10 from 2-Person L-Desk Assembly, then proceed to step 19.
19. With a second person, place desktop upside down. In each corner of the desktop, align leg frame with connectors (A) with holes in corner of desktop. Insert four M6 x 15 mm bolts (F) and tighten. Repeat on remaining desktop. (See Figure 16)

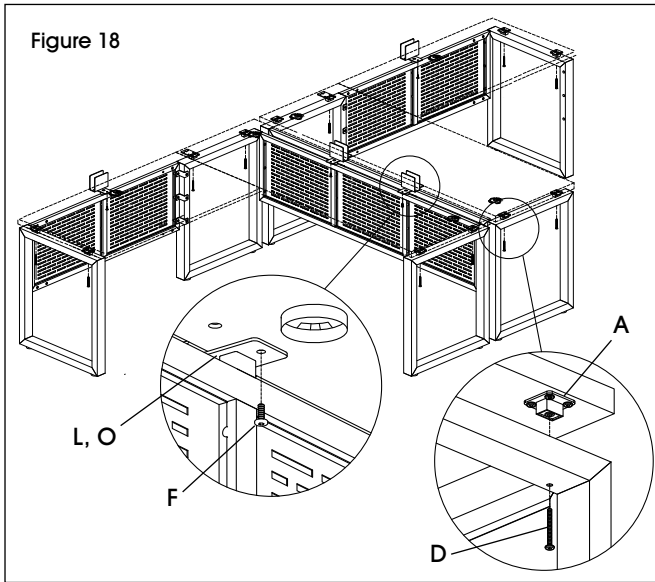


20. Place return desktop upside down. Align leg frame connector (A) with holes in corner of return desktop. Insert four M6 x 15 mm bolts (F) and tighten. Repeat on remaining desktop. (See Figure 17)

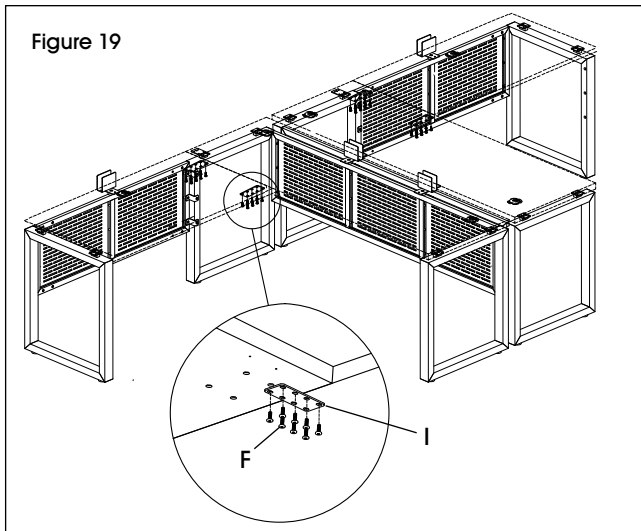


L-DESK WORKSTATION INSTRUCTIONS CONTINUED

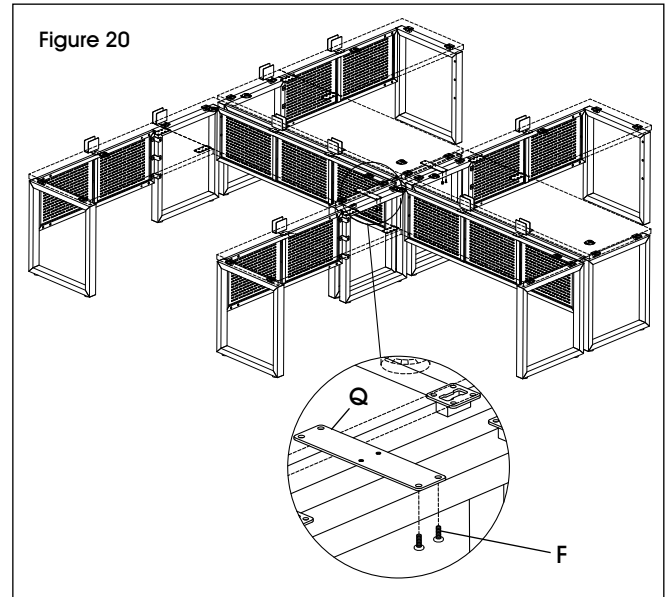
21. With a second person, carefully lift the desktop and return desktop over the assembled frame. Connect the leg frames and return leg frames to desktops using six M6 x 55 mm bolts (D). Repeat with remaining desktop and return desktop. (See Figure 18)
22. Connect the modesty panel and return modesty panel to desktop by installing M6 x 15 mm bolts (F) through the modesty panel connectors (L, O). (See Figure 18)



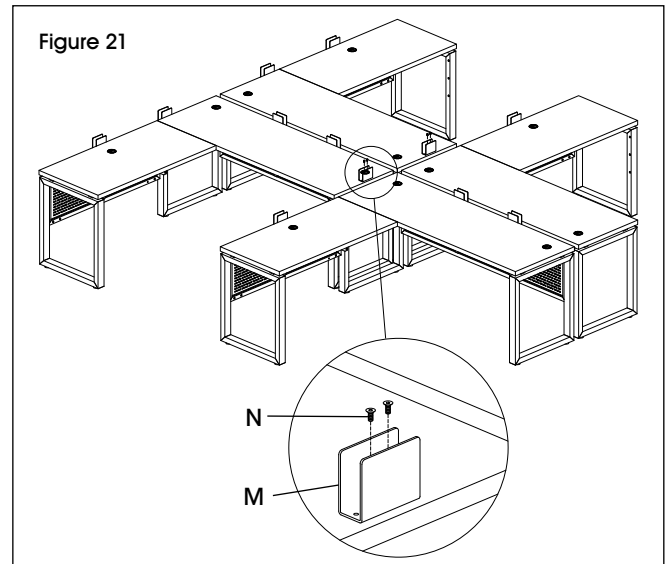
23. To connect desktop and return desktop, align flat bracket (I) with holes underneath each desktop. Insert eight M6 x 15 mm bolts (F) and tighten. Repeat for the other flat brackets. (See Figure 19)



24. Place each assembled 2-Person L-Desk workstation next to each other. Slide two flat connector brackets (Q) between leg frames and desktops. Align flat connector brackets with holes underneath desktop and install using eight M6 x 15 mm bolts (F). (See Figure 20)

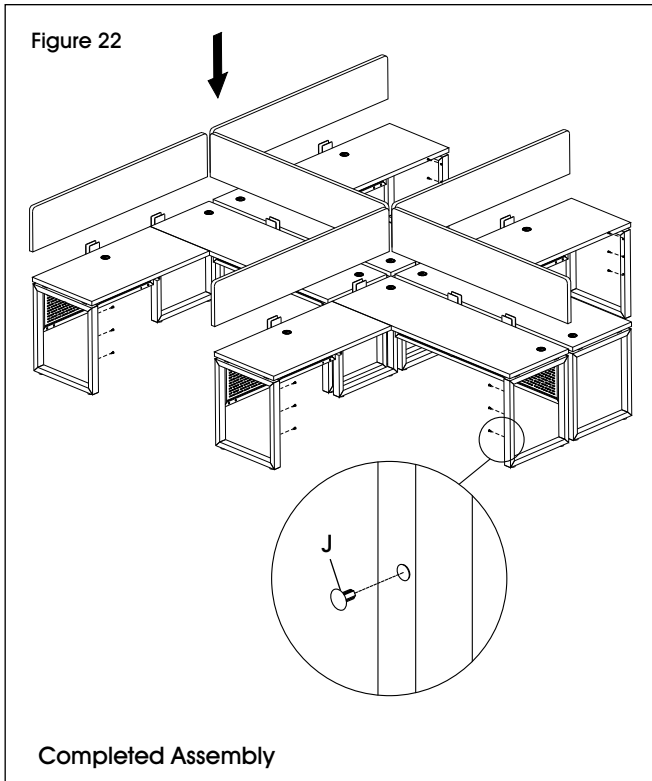


25. Attach U-Brackets (M) to flat connector brackets using four M6 x 10 mm bolts (N). (See Figure 21)



L-DESK WORKSTATION INSTRUCTIONS CONTINUED

26. Install 72" fabric panels along each desktop and return. Insert leg caps (J). (See Figure 22)



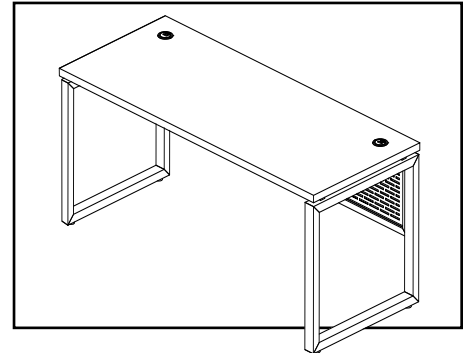
ULINE

1-800-295-5510
uline.com

TABLA DE CONTENIDO**ESCRITORIO, ESCRITORIO EN L, ESCRITORIO EN L CON LIBRERO**

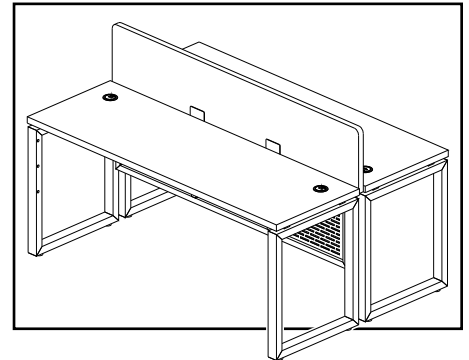
Páginas 21-26

H-9778	H-9781	H-10355
H-9779	H-10353	H-10356
H-9780	H-10354	H-12338

**ESTACIÓN DE TRABAJO TIPO BANCADA**

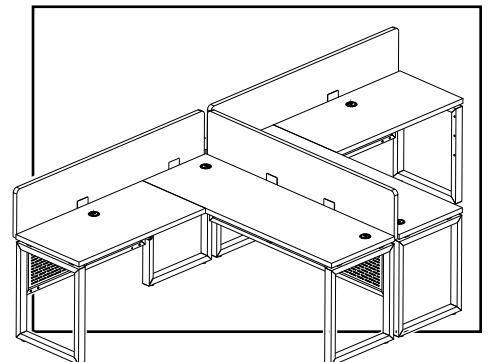
Páginas 27-31

H-11743
H-11745

**ESTACIÓN DE TRABAJO DEL ESCRITORIO EN L**

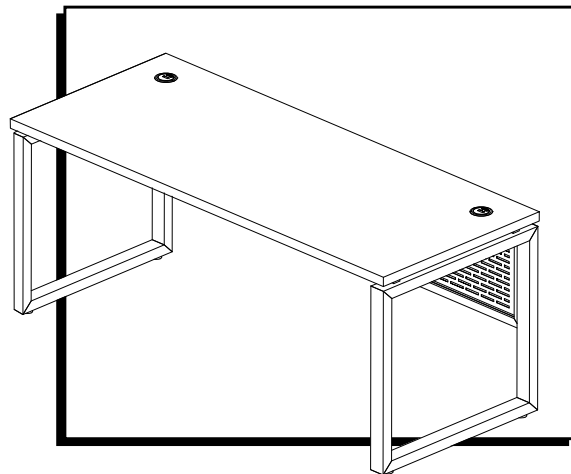
Páginas 32-38

H-11744
H-11746



Para el Escritorio En L con retorno de altura ajustable, consulte las instrucciones incluidas con la base para retorno de altura ajustable.

**ESCRITORIO Y
ESCRITORIO EN L**



HERRAMIENTAS NECESARIAS



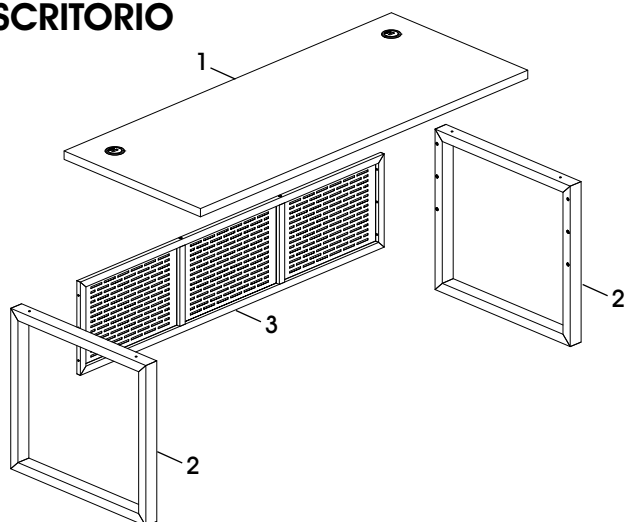
Llave Allen de 4 mm
(incluida)



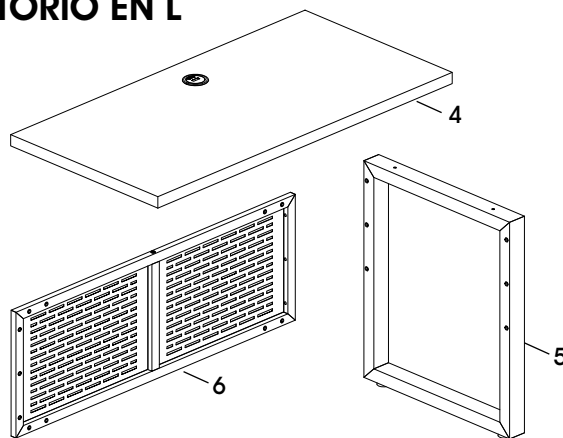
Se recomienda Armar
Entre Dos Personas

PARTES

ESCRITORIO



**RETORNO OPCIONAL PARA
ESCRITORIO EN L**



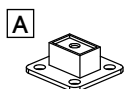
PARTES DEL ESCRITORIO

#	DESCRIPCIÓN	CANT.
1	Cubierta	1
2	Armazón de la Pata	2
3	Recato	1

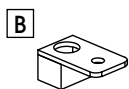
**PARTES DEL RETORNO OPCIONAL PARA
ESCRITORIO EN L**

#	DESCRIPCIÓN	CANT.
4	Cubierta del Retorno	1
5	Armazón de la Pata para Retorno	1
6	Recato del Retorno	1

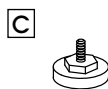
TORNILLERÍA PARA ESCRITORIO



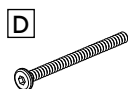
4 Conectores para
Armazón de las
Patás



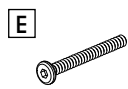
2 Conectores
para Recato



4 Tapas
Niveladoras



4 Pernos
M6 x 55 mm



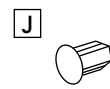
6 Pernos
M6 x 45 mm



20 Pernos
M6 x 15 mm



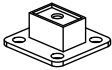
2 Tapas
de Ojal



6 Tapas
para Pata

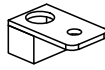
TORNILLERÍA DEL RETORNO PARA ESCRITORIO EN L

A



2 Conectores para Armazón de las Patas

B



1 Conector para Recato

C



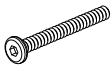
2 Tapas Niveladoras

D



2 Pernos M6 x 55 mm

E



3 Pernos M6 x 45 mm

F



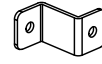
32 Pernos M6 x 15 mm

G



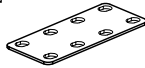
1 Tapa de Ojal

H



3 Conectores en Z

I



2 Soportes Planos

J



3 Tapas para Pata

INSTRUCCIONES PARA ESCRITORIO Y ESCRITORIO EN L



NOTA: Cuente e inspeccione todas las piezas antes de desechar cualquier caja o material de empaque.



NOTA: Ensamble la unidad sobre una superficie lisa que no deje marcas para evitar rayones.



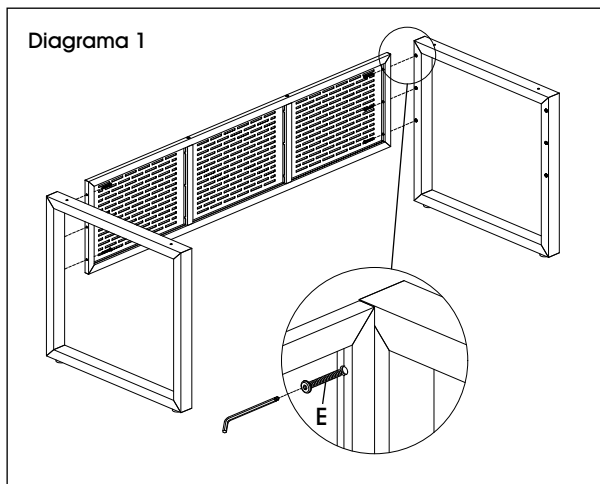
NOTA: Apriete todos los pernos con la llave Allen de 4 mm.



NOTA: Tapas niveladoras y de ojal vienen preinstaladas.

ENSAMBLE DEL ESCRITORIO

1. Alinee los orificios en un lado del recato con los orificios del armazón de la pata. Inserte tres pernos M6 x 45 mm (E) y apriételes. Repita la operación con el lado opuesto. (Vea Diagrama 1)

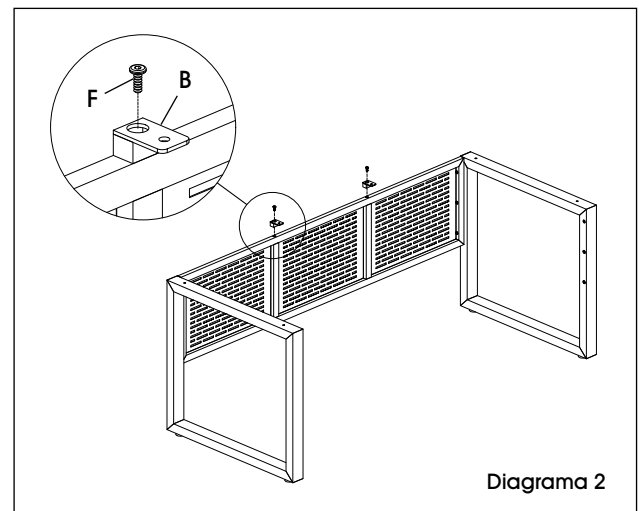


Para ensamblar el escritorio estándar, continúe al paso 2. Para ensamblar el Escritorio en L o el Escritorio en L con Librero, pase a "Ensamble del Retorno para Escritorio en L" en la página 23.

2. Alinee los dos conectores para recato (B) con los orificios en la parte superior del recato. Fije utilizando dos pernos M6 x 15 mm (F) y apriételes. (Vea Diagrama 2)

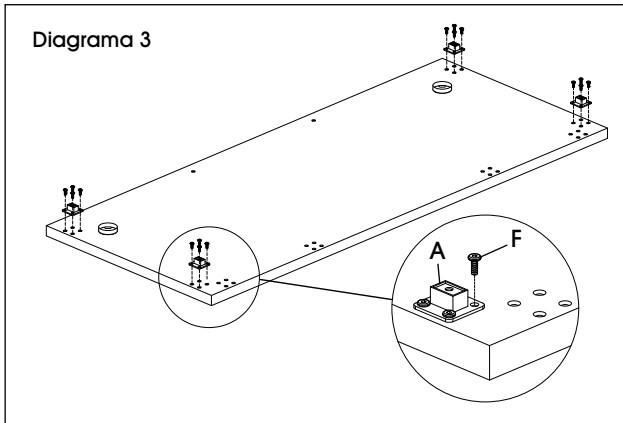


NOTA: Para el escritorio de 48 x 24", solo se fijará un conector para recato).



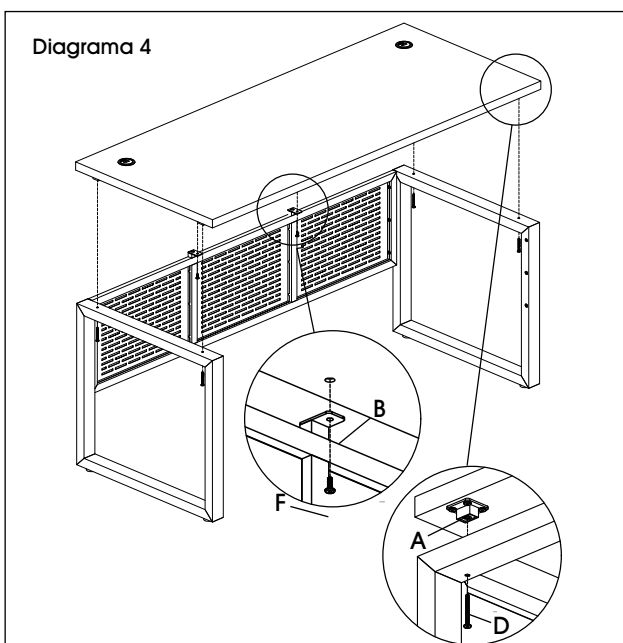
CONTINUACIÓN DE LAS INSTRUCCIONES PARA ESCRITORIO Y ESCRITORIO EN L

3. Voltee la cubierta hacia abajo. Alinee el conector del armazón de la pata (A) con los orificios del extremo de la cubierta. Inserte cuatro pernos M6 x 15 mm (F) y apriételos. Repita para los tres conectores para armazón de las patas restantes. (Vea Diagrama 3)

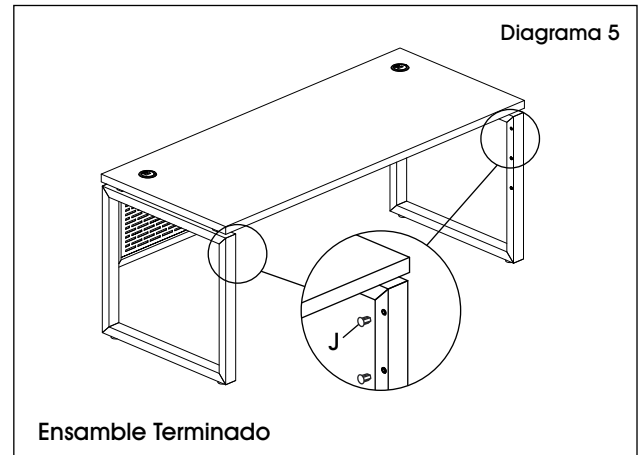


4. Con ayuda de otra persona, levante la cubierta con cuidado y colóquela sobre el armazón ensamblado. Alinee los orificios del armazón con los de los conectores del armazón de la pata (A). (Vea Diagrama 4)
5. Inserte cuatro pernos M6 x 55 mm (D) a través de los conectores y los armazones de las patas y apriételos. Inserte dos pernos M6 x 15 mm (F) a través de los conectores para recato (B) hacia la parte posterior del escritorio y apriételos. (Vea Diagrama 4)


 **NOTA:** Para el escritorio de 48 x 24", solo se insertará un perno M6 x 15 mm.



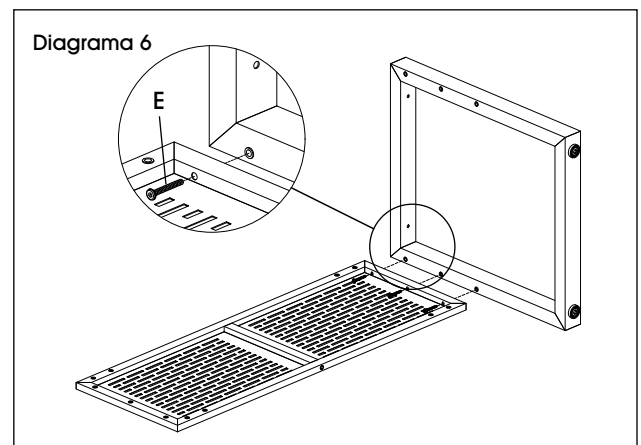
6. Inserte seis tapas para pata (J) en los armazones de las patas. (Vea Diagrama 5)



ENSAMBLE DEL RETORNO PARA ESCRITORIO EN L


 **NOTA:** Determine si el Escritorio en L estará configurado para zurdos o diestros. Esto impactará el ensamble del retorno. En los siguientes diagramas se muestra el ensamble del Escritorio en L para diestros. Para el ensamble de un Escritorio en L para zurdos, se conectan los lados opuestos.

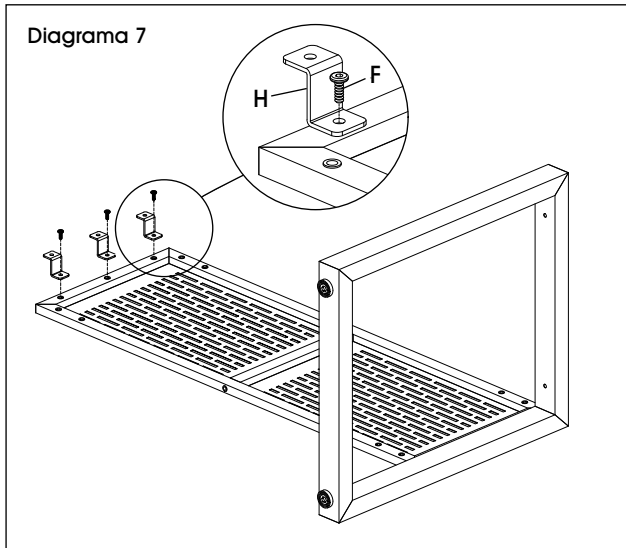
1. Alinee los orificios en el lado derecho del recato del retorno con los orificios del lado izquierdo de la pata para retorno. Inserte tres pernos M6 x 45 mm (E) y apriételos. (Vea Diagrama 6)



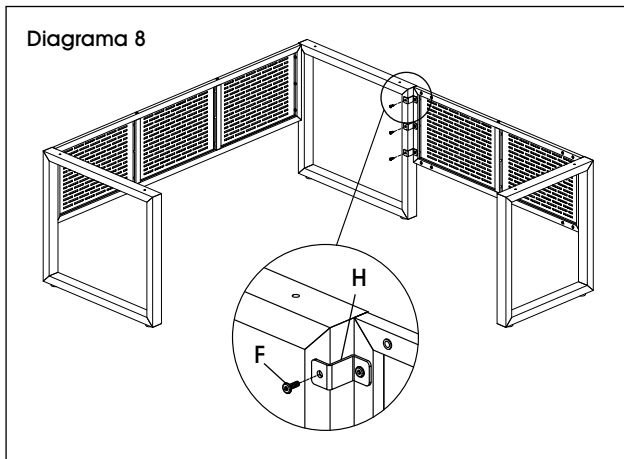
CONTINUACIÓN DE LAS INSTRUCCIONES PARA ESCRITORIO Y ESCRITORIO EN L

2. Alinee los orificios en los tres conectores en Z (H) con el lado izquierdo del recato del retorno. Inserte tres pernos M6 x 15 mm (F) y apriételos. (Vea Diagrama 7)

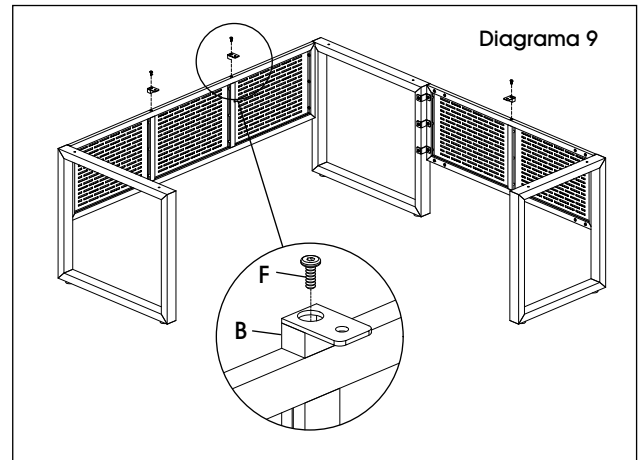
 **NOTA:** Quedarán orificios sin utilizar en las esquinas del recato del retorno. Estos pueden ignorarse ya que están diseñados para otras configuraciones del producto.



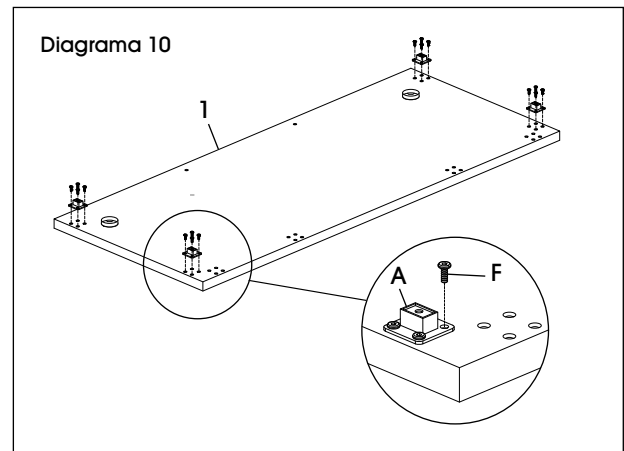
3. Con ayuda de otra persona, mueva cuidadosamente el marco del retorno al lado derecho del marco del escritorio. Alinee los orificios en los conectores en Z (H) con el frente del armazón de la pata derecha. Inserte tres pernos M6 x 15 mm (F) y apriételos. (Vea Diagrama 8)



4. Alinee los tres conectores para recato (B) con los orificios en la parte superior del recato. Fije utilizando tres pernos M6 x 15 mm (F) y apriételos. (Vea Diagrama 9)




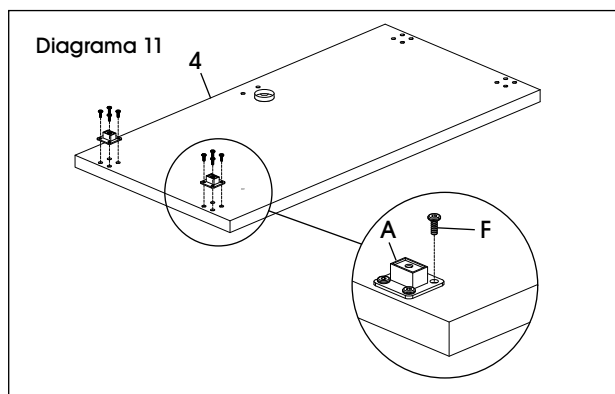
5. Voltee la cubierta (1) boca abajo. Alinee el conector para armazón de pata (A) con los orificios del extremo de la cubierta. Inserte cuatro pernos M6 x 15 mm (F) y apriételos. Repita para los tres conectores para armazón de las patas restantes. (Vea Diagrama 10)



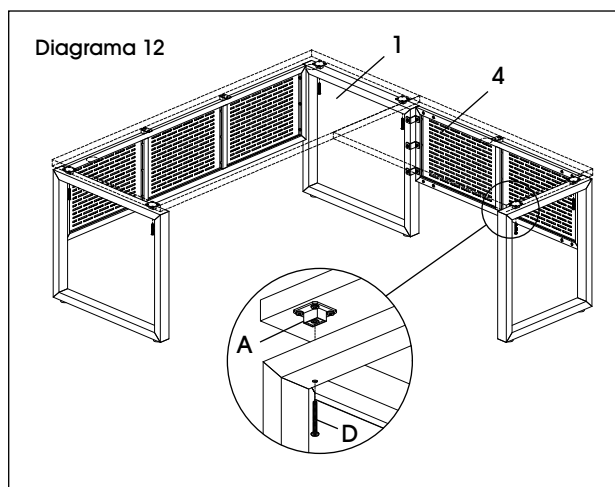
CONTINUACIÓN DE LAS INSTRUCCIONES PARA ESCRITORIO Y ESCRITORIO EN L

6. Voltee la cubierta del retorno para escritorio (4) hacia abajo. Alinee el conector para armazón de pata (A) con los orificios del extremo del retorno para escritorio. Inserte cuatro pernos M6 x 15 mm (F) y apriételes. Repita para los conectores del armazón de las patas restantes. (Vea Diagrama 11)

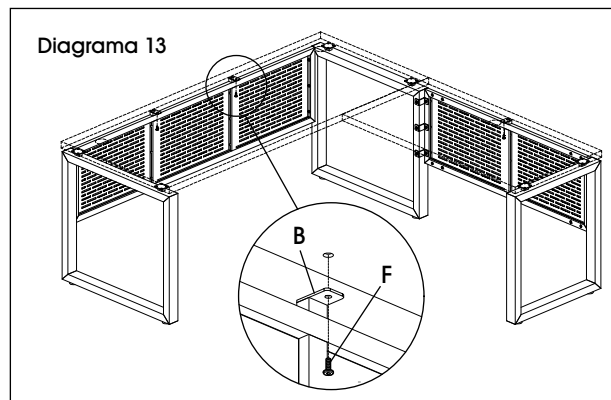
 **NOTA:** Para la configuración del Escritorio en L para zurdos, los conectores del armazón de las patas deben unirse al lado opuesto del retorno para escritorio.



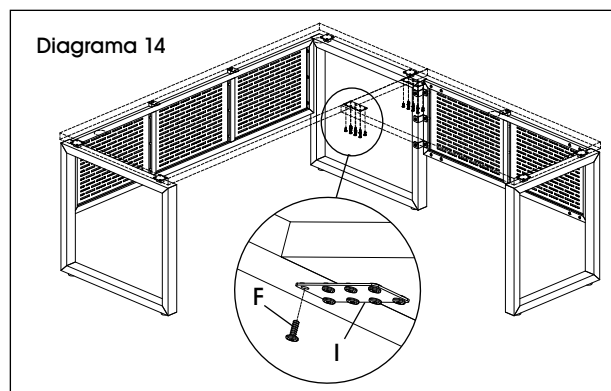
7. Con ayuda de otra persona, levante con cuidado la cubierta (1) sobre el marco ensamblado y alinee los orificios del marco con los orificios en los conectores de los armazones de las patas. Inserte cuatro pernos M6 x 55 mm (D) a través de los conectores (A) y los armazones de las patas y apriételes. (Vea Diagrama 12)
8. Levanten con cuidado el retorno para escritorio (4) sobre el marco ensamblado y alinee los orificios en el marco con los orificios en los conectores del armazón de las patas. Inserte dos pernos M6 x 55 mm (D) a través de los conectores y los armazones de las patas para retorno y apriételes. (Vea Diagrama 12)



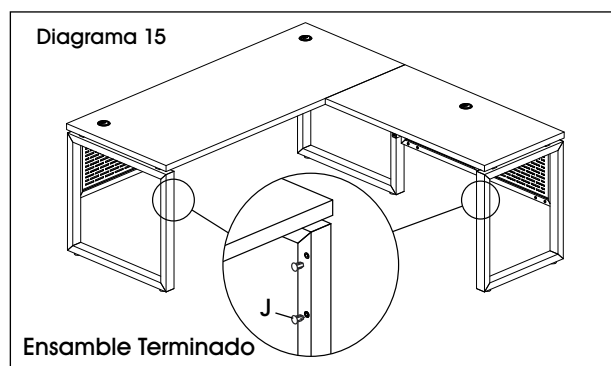
9. Inserte tres pernos M6 x 15 mm (F) a través de los tres conectores para recato (B) hacia la parte posterior del escritorio y del retorno para escritorio y apriételes. (Vea Diagrama 13)




10. Para unir el escritorio y el retorno para escritorio, alinee el soporte plano (I) con los orificios en el escritorio y el retorno para escritorio. Inserte ocho pernos M6 x 15 mm (F) y apriételes. Repita para el soporte plano opuesto. (Vea Diagrama 14)



11. Inserte tres tapas de ojal (G) en la cubierta del escritorio y en la cubierta del retorno para escritorio. Inserte seis tapas para pata (J) en el armazón de la pata para escritorio principal y armazón de la pata para retorno. (Vea Diagrama 15)



 **NOTA:** Si va a ensamblar el Escritorio en L con Librero, consulte las instrucciones para ensamblar el librero que se incluyen con el modelo H-12339.

ULINE

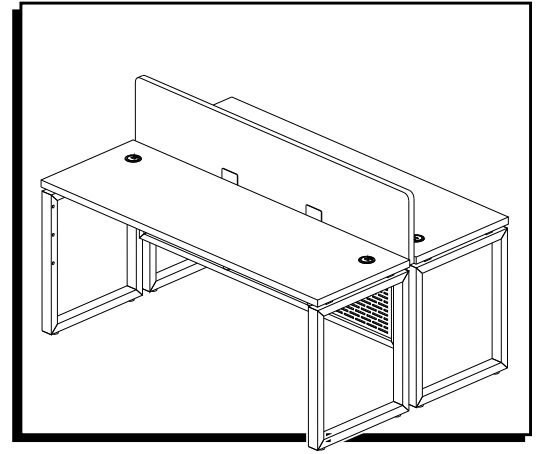
800-295-5510

uline.mx

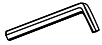
ULINE H-11743, H-11745

**ESTACIÓN DE TRABAJO
TIPO BANCADA**

800-295-5510
uline.mx



HERRAMIENTA NECESARIA



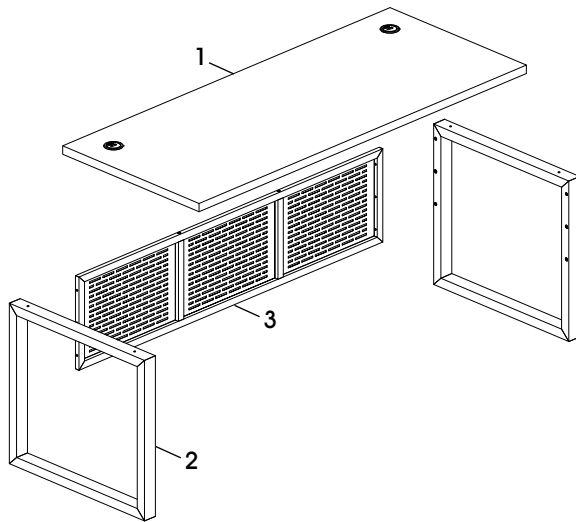
Llave Allen de 4 mm
(incluida)



Se recomienda Armar
Entre Dos Personas

PARTES DEL ESCRITORIO

ESCRITORIO

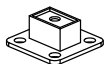


PARTES DEL ESCRITORIO

#	DESCRIPCIÓN	CANT.	
		72 x 48" para 2 Personas (H-11743)	144 x 48" para 4 Personas (H-11745)
1	Cubierta	2	4
2	Armazón de la Pata	4	8
3	Recato	2	4

TORNILLERÍA PARA ESCRITORIO

A



Conector para Armazón de las Patas
(H-11743 x 8)
(H-11745 x 16)

C



Tapa Niveladora
(H-11743 x 8)
(H-11745 x 16)

D



Perno M6 x 55 mm
(H-11743 x 8)
(H-11745 x 16)

E



Perno M6 x 45 mm
(H-11743 x 12)
(H-11745 x 24)

F



Perno M6 x 15 mm
(H-11743 x 32)
(H-11745 x 64)

G



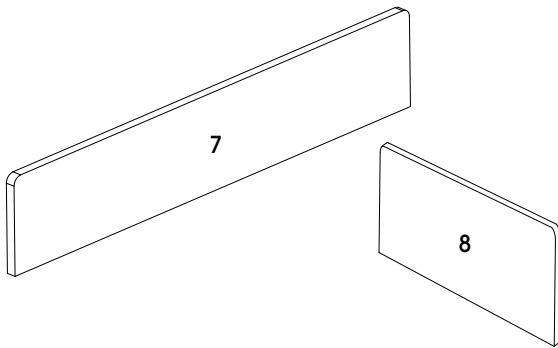
Tapa de Ojal
(H-11743 x 4)
(H-11745 x 8)

J



Tapa de Pata
(H-11743 x 12)
(H-11745 x 24)

PARTES DEL PANEL



PARTES DEL PANEL

#	DESCRIPCIÓN	CANT.	
		72 x 48" para 2 Personas (H-11743)	144 x 48" para 4 Personas (H-11745)
7	Panel de Tela de 72"	1	2
8	Panel de Tela de 24"	0	2

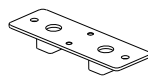
TORNILLERÍA DEL PANEL

F



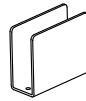
Perno M6 x 15 mm
(H-11743 x 8)
(H-11745 x 24)

L



Conectores Dobles para Recato
(H-11743 x 2)
(H-11745 x 4)

M



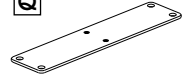
Soporte en U
(H-11743 x 2)
(H-11745 x 6)

N



Perno M6 x 10 mm
(H-11743 x 4)
(H-11745 x 12)

Q



Soporte de Unión Plano
(2 solo para H-11745)

INSTRUCCIONES DE LA ESTACIÓN DE TRABAJO TIPO BANCADA



NOTA: Cuente e inspeccione todas las piezas antes de desechar cualquier caja o material de empaque.



NOTA: Ensamble la unidad sobre una superficie lisa que no deje marcas para evitar rayones.

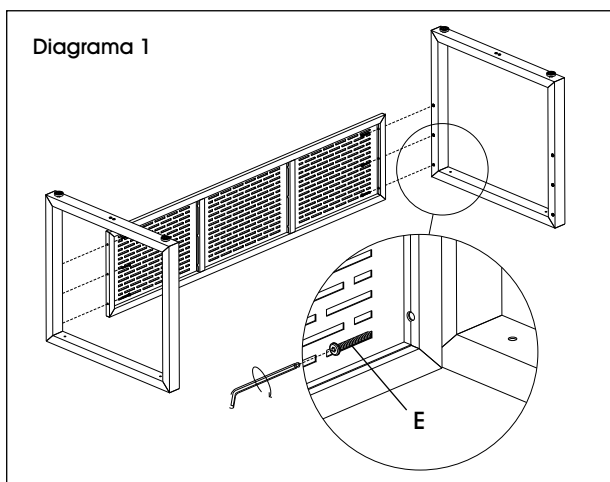


NOTA: Apriete todos los pernos con la llave Allen de 4 mm.

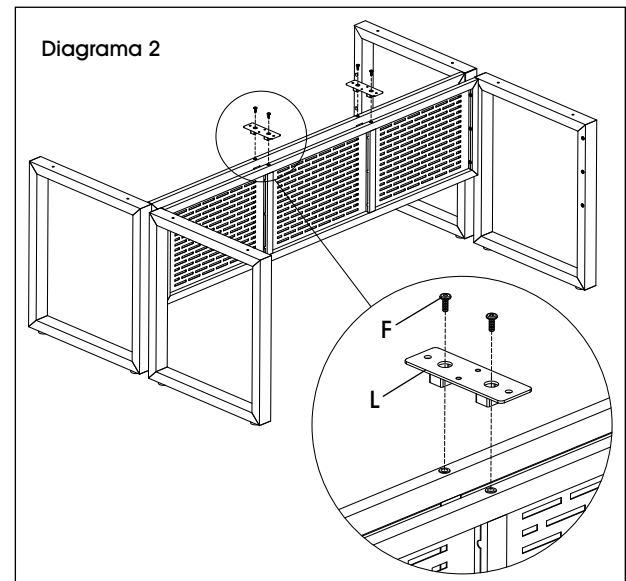


NOTA: Tapas niveladoras y de ojal vienen preinstaladas.

1. Alinee los orificios en un lado del recato con los orificios del armazón de la pata. Inserte tres pernos M6 x 45 mm (E) y apriételes. Repita la operación con el lado opuesto. (Vea Diagrama 1)

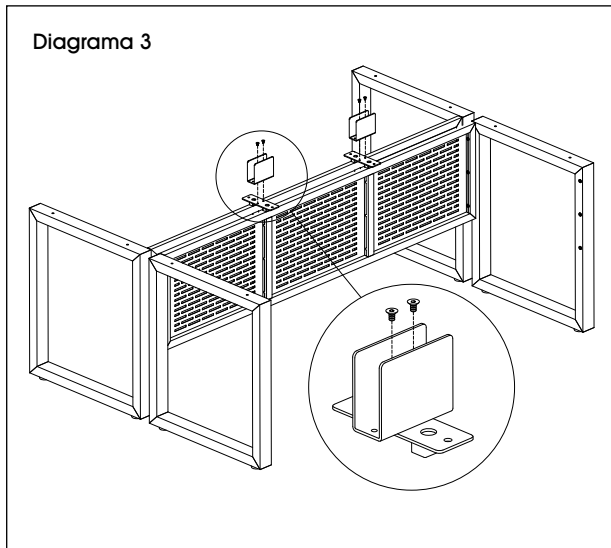


2. Repita los pasos 1 y 2 con los armazones de las patas restantes y el recato.
3. Con la ayuda de otra persona, coloque los armazones con los recatos uno frente al otro. Alinee los conectores dobles para recato (L) con los orificios del borde superior de los recatos y fije utilizando cuatro pernos M6 x 15 mm (F). (Vea Diagrama 2)

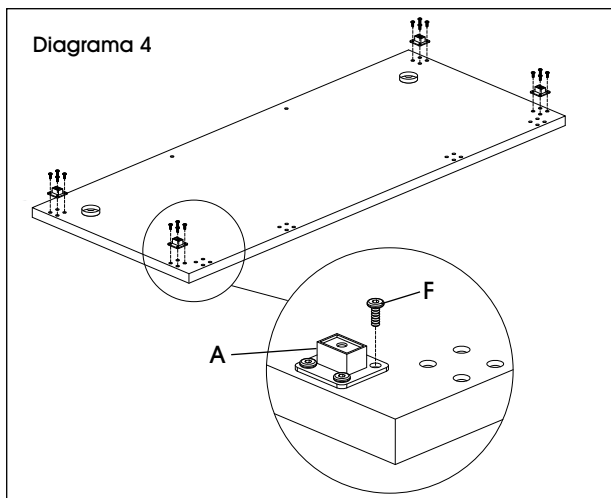


CONTINUACIÓN DEL ENSAMBLE DE ESTACIÓN DE TRABAJO TIPO BANCADA

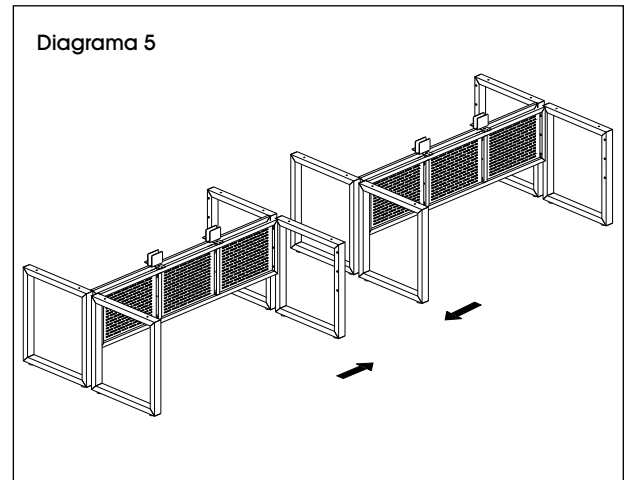
4. Instale dos Soportes en U (M) en cada conector doble para recato (L) utilizando cuatro pernos M6 x 10 mm (N). (Vea Diagrama 3)



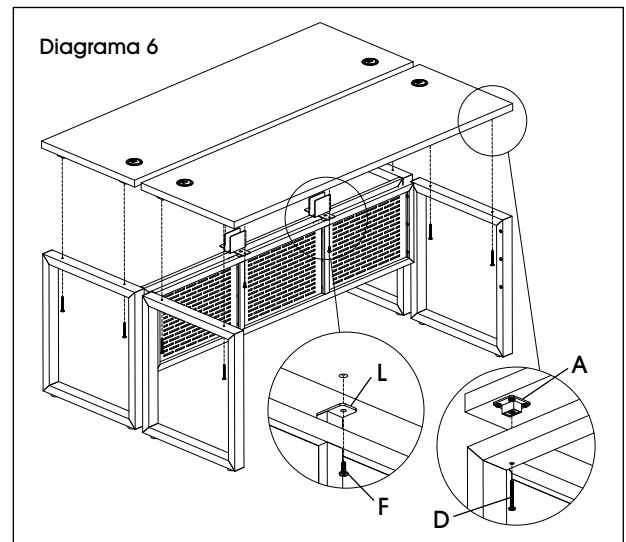
5. Con la ayuda de otra persona, coloque la cubierta boca abajo. En cada esquina de la cubierta, alinee los conectores del armazón de las patas (A) con los orificios del extremo de la cubierta. Inserte cuatro pernos M6 x 15 mm (F) y apriételos. Repita en la cubierta restante. (Vea Diagrama 4)



- ALTO** Si ensambla la Estación de Trabajo para 4 Personas (Uline modelo # H-11745), repita los pasos 1-6 con los componentes restantes. Posicione ambos armazones de sistema modular ensamblados de lado a lado. (Vea Diagrama 5)



6. Con la ayuda de otra persona, levante la cubierta con cuidado y colóquela sobre el armazón ensamblado. Alinee los orificios del armazón de la pata con los de los conectores del armazón de la pata (A). Inserte cuatro pernos M6 x 55 mm (D) a través de los conectores y los armazones de las patas y apriételos. Inserte dos pernos M6 x 15 mm (F) a través de los conectores dobles para recato (L) en la parte posterior del escritorio y apriételos. Repita con las cubiertas restantes. (Vea Diagrama 6)

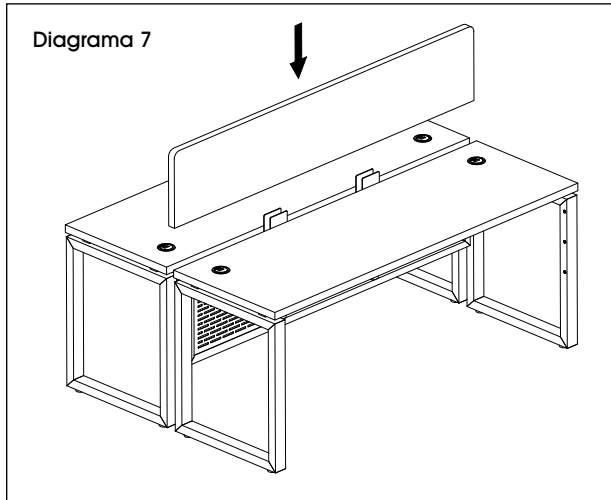


- ALTO** Si ensambla la Estación de Trabajo para 2 Personas (Uline modelo # H-11743), proceder al paso 7.
Si ensambla la Estación de Trabajo para 4 Personas (Uline modelo # H-11745), proceder al paso 9.

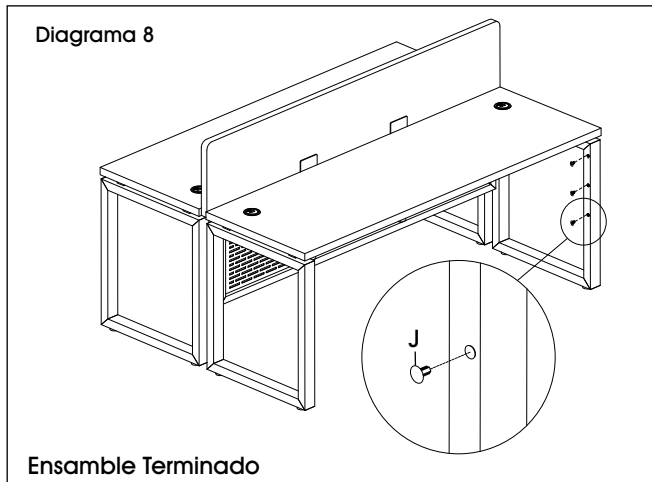
CONTINUACIÓN DEL ENSAMBLE DE ESTACIÓN DE TRABAJO TIPO BANCADA

ESTACIÓN DE TRABAJO TIPO BANCADA PARA 2 PERSONAS

7. Con la ayuda de una segunda persona, coloque el panel de tela de 72" en los Soportes en U. (Vea Diagrama 7)

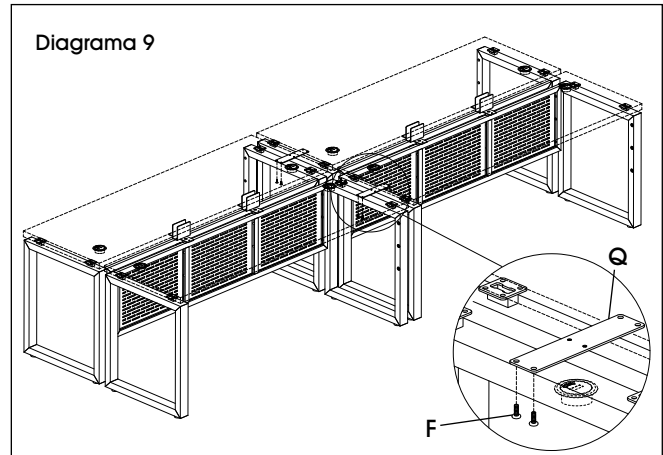


8. Inserte las tapas para pata (J) en la cubierta. (Vea Diagrama 8)

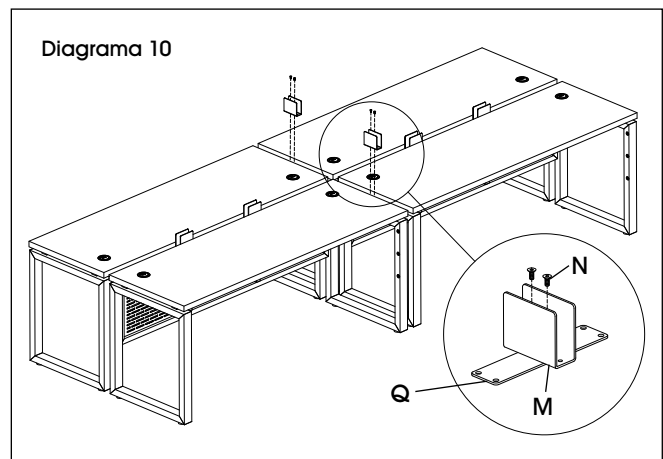


ESTACIÓN DE TRABAJO TIPO BANCADA PARA 4 PERSONAS

9. Deslice dos soportes de unión planos (Q) entre los armazones de las patas y las cubiertas. Alinee con los orificios debajo de las cubiertas e instale utilizando ocho pernos M6 x 15 mm (F). (Vea Diagrama 9)

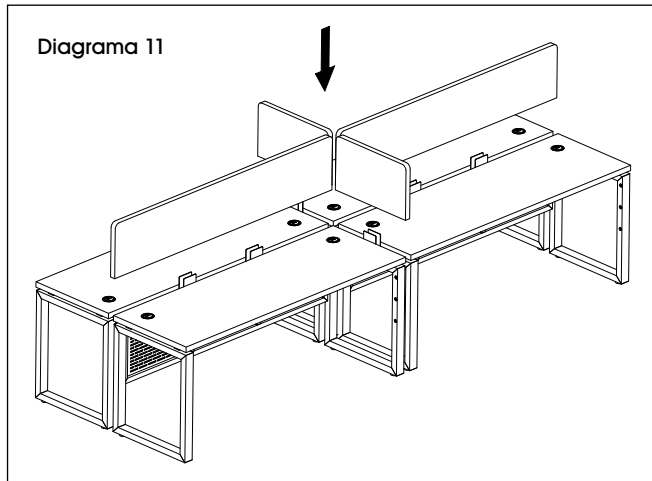


10. Instale soportes en U (M) en cada soporte plano (Q) utilizando cuatro pernos M6 x 10 mm (N). (Vea Diagrama 10)

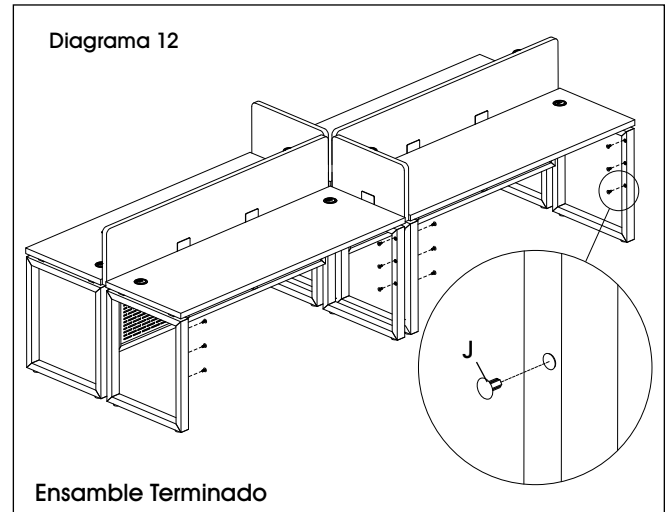


CONTINUACIÓN DEL ENSAMBLE DE ESTACIÓN DE TRABAJO TIPO BANCADA

11. Instale los paneles de tela de 72" y 24" en los Soportes en U. (Vea Diagrama 11)



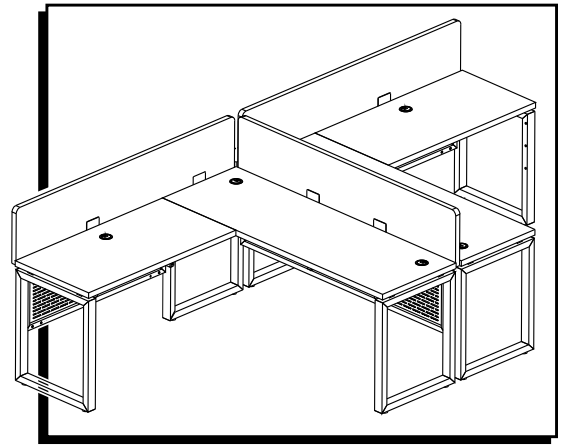
12. Inserte los ojales (G) en la cubierta y las tapas para pata (J) en los armazones de las patas. (Vea Diagrama 12)



ULINE H-11744, H-11746

ESTACIÓN DE TRABAJO DEL ESCRITORIO EN L

800-295-5510
uline.mx



HERRAMIENTA NECESARIA



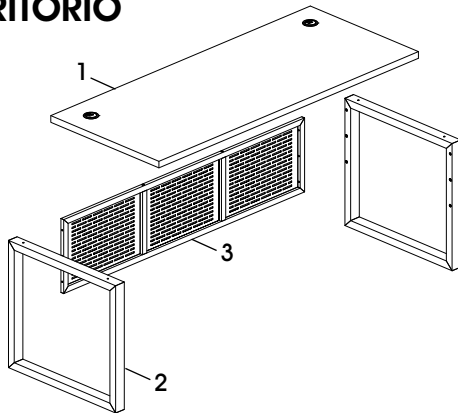
Llave Allen de 4 mm
(incluida)



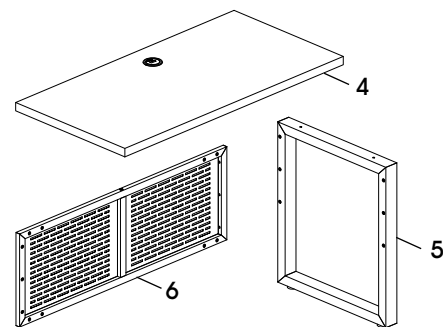
Se recomienda Armar
Entre Dos Personas

PARTES DEL ESCRITORIO EN L

ESCRITORIO



ESCRITORIO DE RETORNO

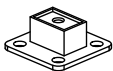


PARTES DEL ESCRITORIO Y EL ESCRITORIO DE RETORNO

#	DESCRIPCIÓN	CANT.	
		Escritorio en L para 2 Personas de 72 x 48" (H-11744)	Escritorio en L para 4 Personas de 144 x 48" (H-11746)
1	Cubierta	2	4
2	Armazón de la Pata	4	8
3	Recato	2	4
4	Cubierta del Retorno	2	4
5	Armazón de la Pata para Retorno	2	4
6	Recato del Retorno	2	4

TORNILLERÍA PARA ESCRITORIO EN L

A



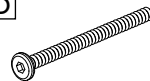
Conector para Armazón de las Patas
(H-11744 x 10)
(H-11746 x 22)

C



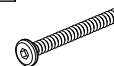
Tapa Niveladora
(H-11744 x 12)
(H-11746 x 24)

D



Perno M6 x 55 mm
(H-11744 x 10)
(H-11746 x 22)

E



Perno M6 x 45 mm
(H-11744 x 18)
(H-11746 x 36)

F



Perno M6 x 15 mm
(H-11744 x 84)
(H-11746 x 176)

G



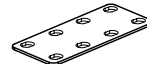
Tapa de Ojal
(H-11744 x 6)
(H-11746 x 12)

H



Conector en Z
(H-11744 x 6)
(H-11746 x 12)

I



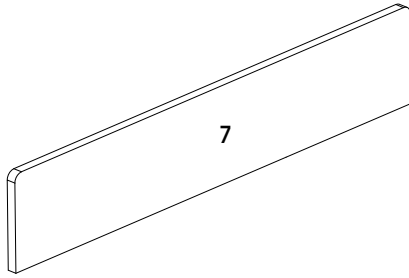
Soporte Plano
(H-11744 x 4)
(H-11746 x 8)

J



Tapa de Pata
(H-11744 x 12)
(H-11746 x 24)

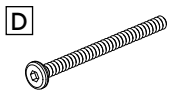
PARTES DEL PANEL DE TELA DEL ESCRITORIO EN L



PARTES DEL PANEL DE TELA

#	DESCRIPCIÓN	CANT.	
		Escritorio en L para 2 Personas de 72 x 48" (H-11744)	Escritorio en L para 4 Personas de 144 x 48" (H-11746)
7	Panel de Tela de 72"	3	6

TORNILLERÍA DEL PANEL DE TELA DEL ESCRITORIO EN L



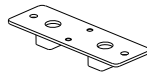
Perno M6 x 55 mm
(H-11744 x 2)
(H-11746 x 2)

F



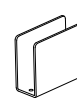
Perno M6 x 15 mm
(H-11744 x 20)
(H-11746 x 40)

L



Conector Doble para Recato
(H-11744 x 2)
(H-11746 x 4)

M



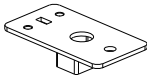
Soporte en U
(H-11744 x 6)
(H-11746 x 12)

N



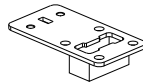
Perno M6 x 10 mm
(H-11744 x 12)
(H-11746 x 24)

O



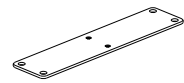
Conector Individual para Recato con Soporte
(H-11744 x 2)
(H-11746 x 4)

P



Conector para Armazón de las Patas con Soporte
(H-11744 x 2)
(H-11746 x 2)

Q



Soporte de Unión Plano
(2 solo para H-11746)

INSTRUCCIONES DE LA ESTACIÓN DE TRABAJO CON ESCRITORIO EN L



NOTA: Cuente e inspeccione todas las piezas antes de desechar cualquier caja o material de empaque.



NOTA: Ensamble la unidad sobre una superficie lisa que no deje marcas para evitar rayones.



NOTA: Apriete todos los pernos con la llave Allen de 4 mm.

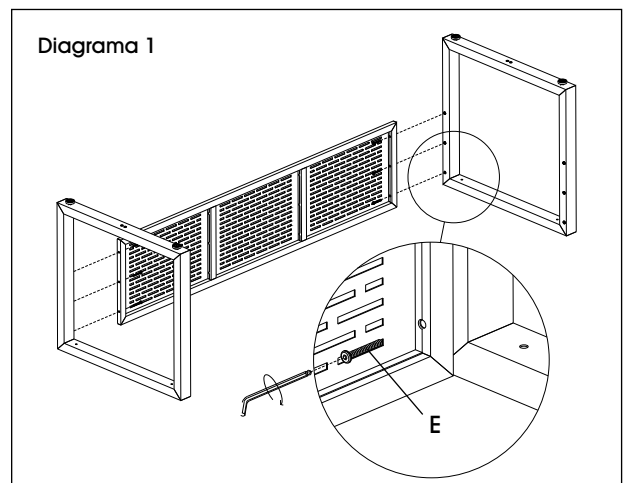


NOTA: Tapas niveladoras y de ojal vienen preinstaladas.



NOTA: Los siguientes diagramas muestran un armazón de estación de trabajo para 2 personas construido con un Escritorio en L configurado para zurdos y un Escritorio en L configurado para diestros.


1. Alinee los orificios en un lado del recato con los orificios del armazón de la pata. Inserte tres pernos M6 x 45 mm (E) y apriételos. Repita la operación con el lado opuesto. (Vea Diagrama 1)

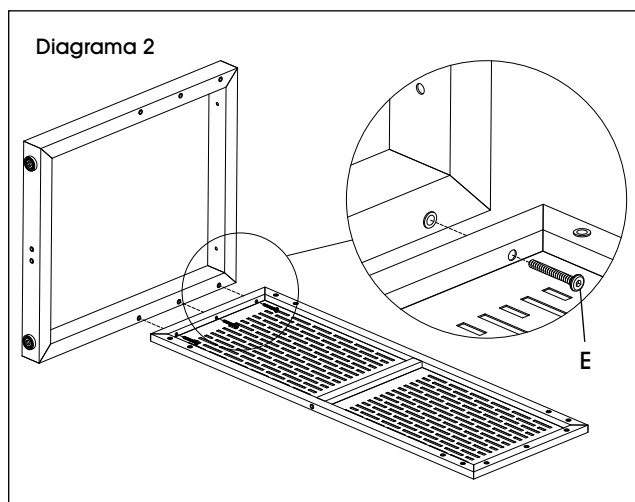


2. Repita los paso 1 con el recato y los armazones de las patas restantes.


CONTINUACIÓN DE LAS INSTRUCCIONES DE LA ESTACIÓN DE TRABAJO CON ESCRITORIO EN L

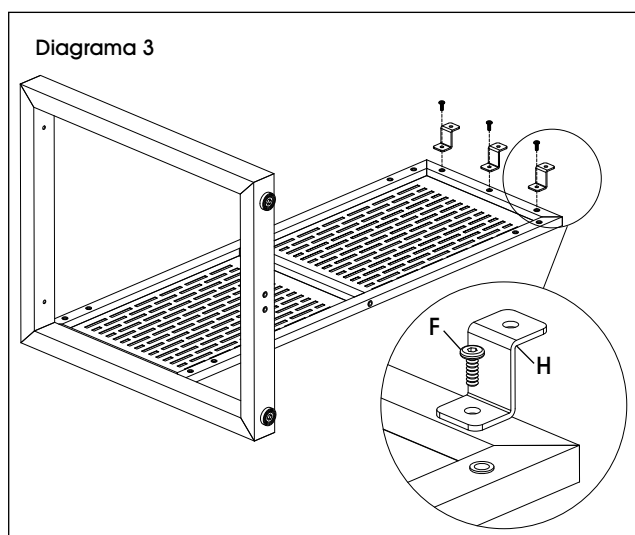
3. Para el escritorio para zurdos, alinee los orificios en el lado izquierdo del recato del retorno con los del lado izquierdo del armazón de la pata del retorno. Inserte tres pernos M6 x 45 mm (E) y apriételos. Para el escritorio para diestros, instale el armazón de la pata del retorno en el lado opuesto del recato del retorno. (Vea Diagrama 2)

 **NOTA:** Se muestra el ensamble del retorno de la configuración del escritorio para zurdos.

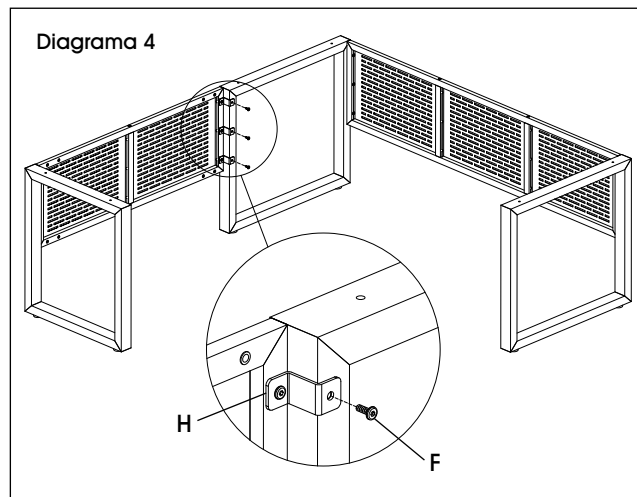


4. Alinee los orificios de los tres conectores en Z (H) con los del recato del retorno. Inserte tres pernos M6 x 15 mm (F) y apriételos. (Vea Diagrama 3)

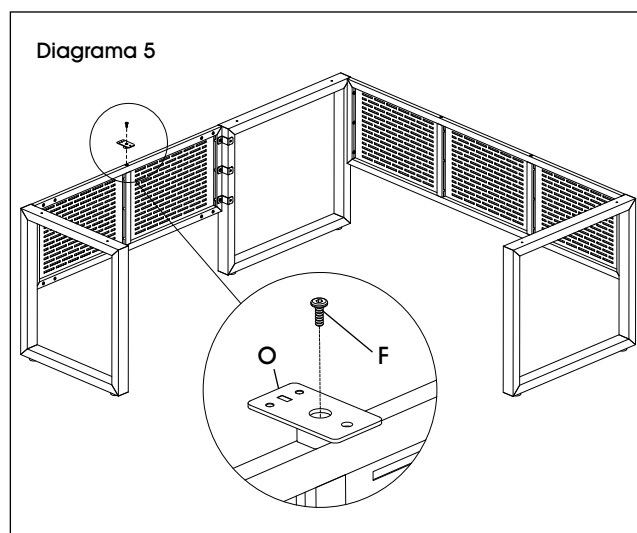
 **NOTA:** Quedarán orificios sin utilizar en las esquinas del recato del retorno. Estos pueden ignorarse ya que están diseñados para otras configuraciones del producto.



5. Con la ayuda de otra persona, alinee cuidadosamente los orificios de tres conectores en Z (H) con el frente del armazón de la pata izquierda. Inserte tres pernos M6 x 15 mm (F) y apriételos. (Vea Diagrama 4)



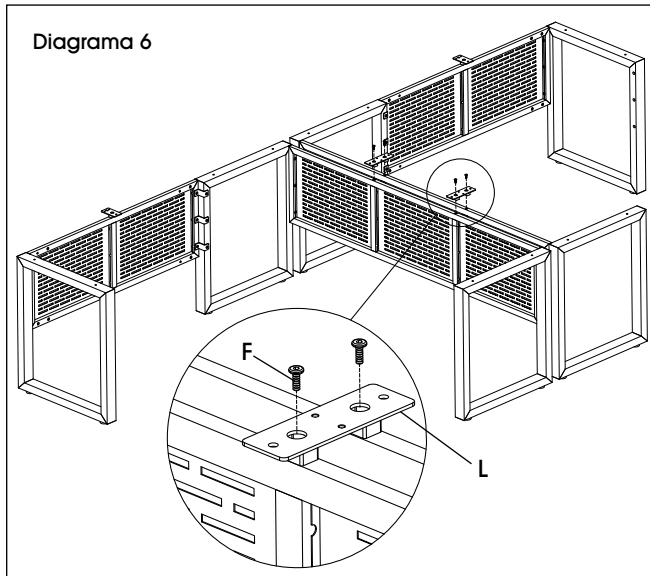
6. Utilice un perno M6 x 15 mm (F) para fijar un conector individual para recato con soporte (O) al borde superior del recato del retorno. (Vea Diagrama 5)



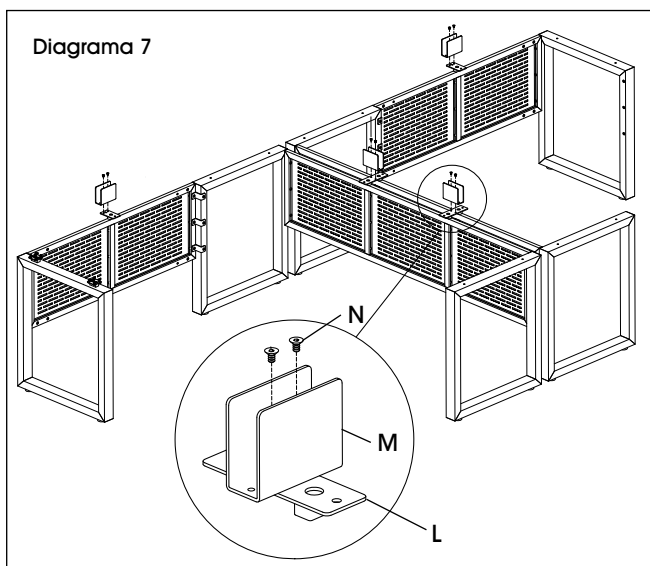
7. Repita los pasos 4-6 con el escritorio y armazón del retorno restantes.

CONTINUACIÓN DE LAS INSTRUCCIONES DE LA ESTACIÓN DE TRABAJO CON ESCRITORIO EN L

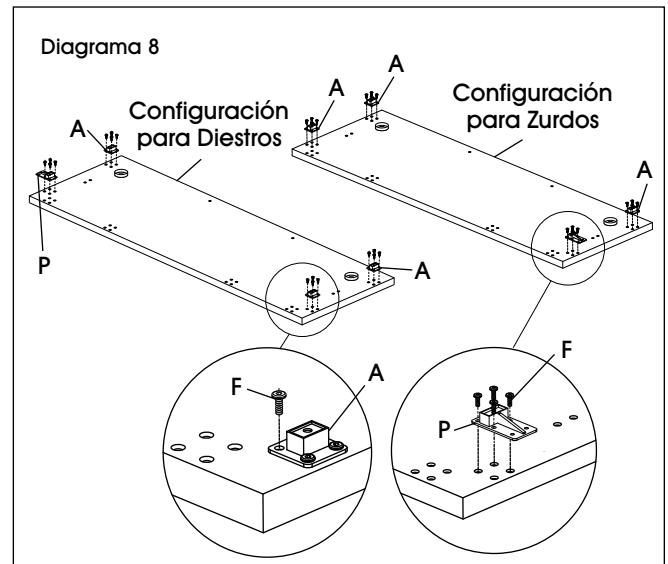
8. Con la ayuda de otra persona, coloque los armazones con los recatos uno frente al otro. Alinee los dos conectores dobles para recato (L) con los orificios del borde superior de cada recato. Fije utilizando cuatro pernos M6 x 15 mm (F). (Vea Diagrama 6)



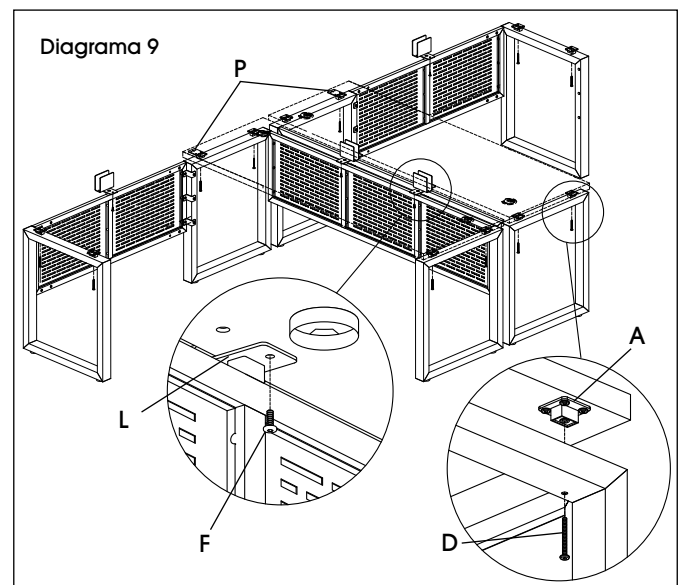
9. Instale el Soporte en U (M) en los conectores del recato con los soportes (L, O) utilizando ocho pernos M6 x 10 mm (N). (Vea Diagrama 7)



10. Con la ayuda de otra persona, coloque la cubierta principal boca abajo. Instale un conector para armazón de las patas con el soporte (P) en la esquina más cercana a la ubicación del retorno. Instale los conectores para armazón de las patas estándar (A) en las esquinas restantes de la cubierta. Fije utilizando pernos M6 x 15 mm (F). Consulte el Diagrama 9 para las ubicaciones correctas de cada conector para armazón de la pata. (Vea Diagrama 8)

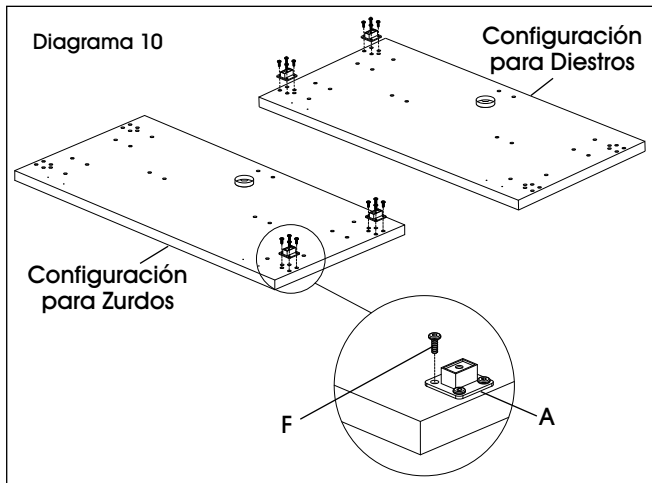


11. Con la ayuda de otra persona, levante la cubierta con cuidado y colóquela sobre el armazón ensamblado. Alinee los orificios del armazón con los de los conectores del armazón de la pata (A, P). Inserte cuatro pernos M6 x 55 mm (D) para fijar cada cubierta a los armazones de las patas. Inserte dos pernos M6 x 15 mm (F) a través de los conectores para recato (L) de cada escritorio y apriete. Repita con la cubierta restante. (Vea Diagrama 9)

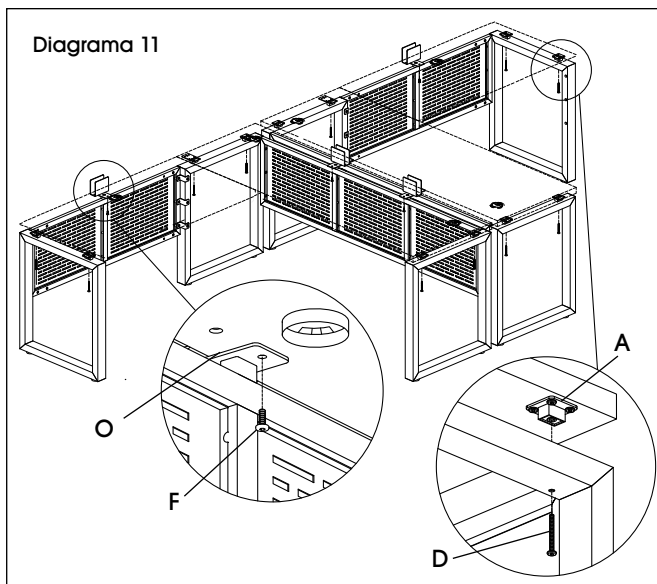


CONTINUACIÓN DE LAS INSTRUCCIONES DE LA ESTACIÓN DE TRABAJO CON ESCRITORIO EN L

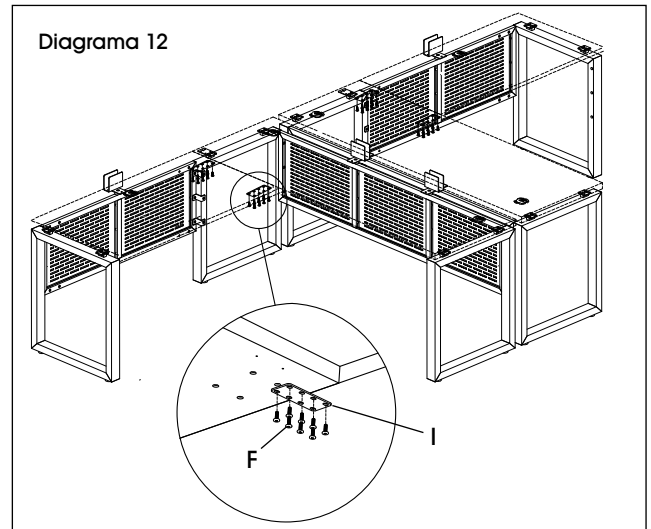
12. Voltee la cubierta del retorno para escritorio boca abajo. Alinee cada conector para armazón de las patas (A) con los orificios de la esquina de la cubierta del retorno e instale utilizando cuatro pernos M6 x 15 mm (F). Repita para los conectores del armazón de las patas restantes. Consulte el Diagrama 11 para las ubicaciones correctas de cada conector para armazón de la pata. (Vea Diagrama 10)



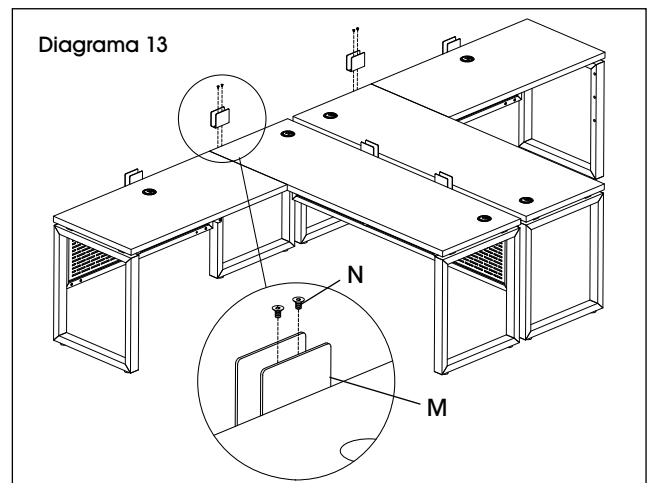
13. Con la ayuda de otra persona, levante la cubierta del retorno con cuidado y colóquela sobre el armazón ensamblado. Inserte dos pernos M6 x 55 mm (D) a través de los conectores de los armazones de las patas (A) para retorno y apriételos. Inserte un perno M6 x 15 mm (F) a través del conector para recato con soporte (O) hacia la parte posterior del escritorio y apriete. Repita con la cubierta del retorno restante. (Vea Diagrama 11)



14. Para unir el escritorio y el retorno para escritorio, alinee el soporte plano (I) con los orificios debajo de cada cubierta. Inserte ocho pernos M6 x 15 mm (F) y apriételos. Repita con los otros soportes planos. (Vea Diagrama 12)

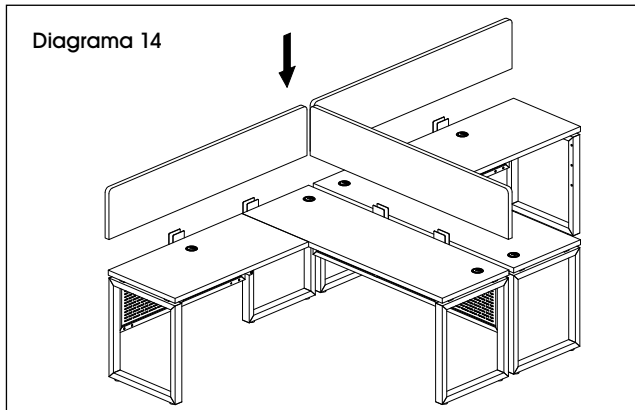


15. Instale dos Soportes en U (M) a los conectores individuales de los armazones de las patas utilizando cuatro pernos M6 x 10 mm (N). (Vea Diagrama 13)

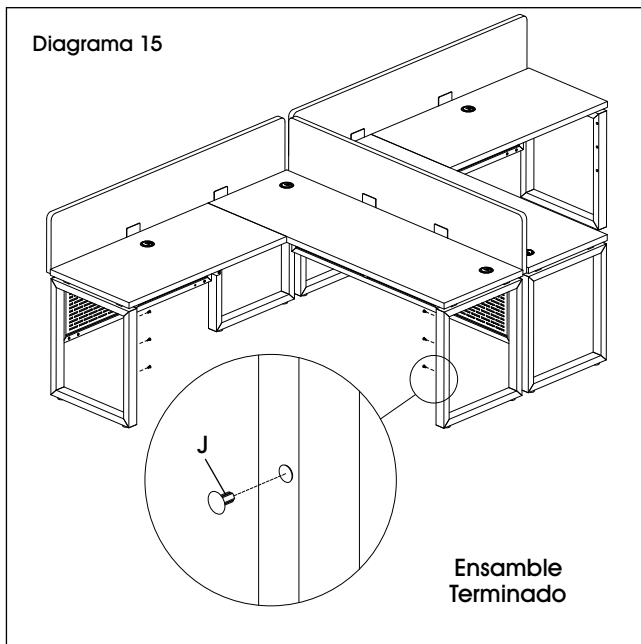


CONTINUACIÓN DE LAS INSTRUCCIONES DE LA ESTACIÓN DE TRABAJO CON ESCRITORIO EN L

16. Inserte los paneles de 72" en las cubiertas y los retornos. (Vea Diagrama 14)

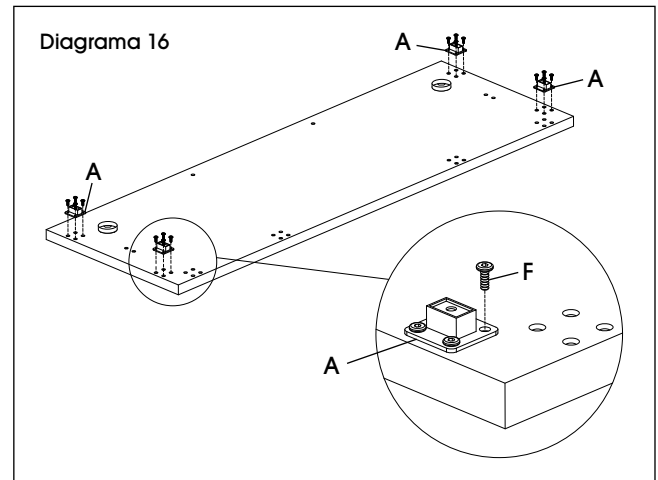


17. Inserte las tapas para pata (J). (Vea Diagrama 15)

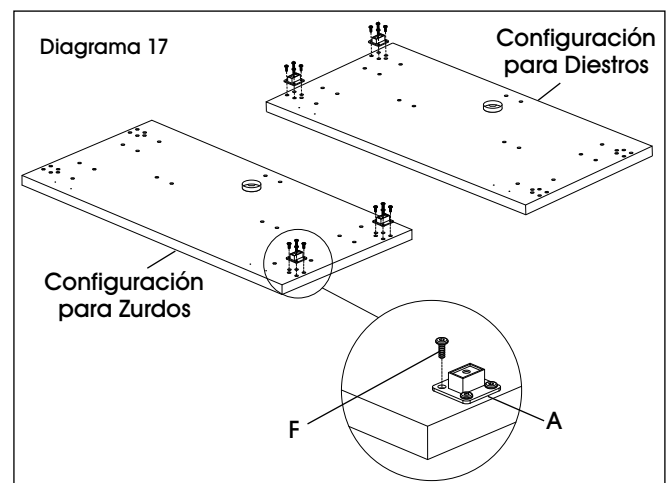


ENSAMBLE DEL ESCRITORIO EN L PARA 4 PERSONAS

18. Repita los pasos 1-10 del Ensamble del Escritorio en L para 2 Personas, luego proceda al paso 19.
19. Con la ayuda de otra persona, coloque la cubierta boca abajo. En cada esquina de la cubierta, alinee el armazón de la pata con conectores (A) con los orificios del extremo de la cubierta. Inserte cuatro pernos M6 x 15 mm (F) y apriételos. Repita en la cubierta restante. (Vea Diagrama 16)

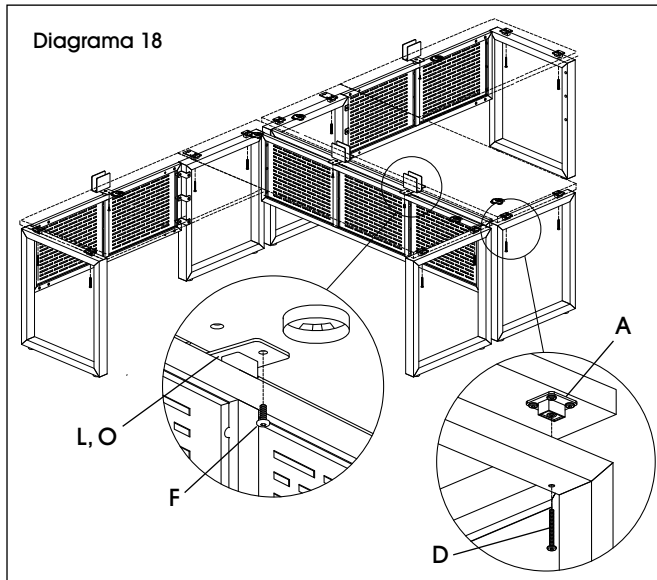


20. Voltee la cubierta del retorno para escritorio boca abajo. Alinee el conector (A) para armazón de pata con los orificios del extremo del retorno para escritorio. Inserte cuatro pernos M6 x 15 mm (F) y apriételos. Repita en la cubierta restante. (Vea Diagrama 17)

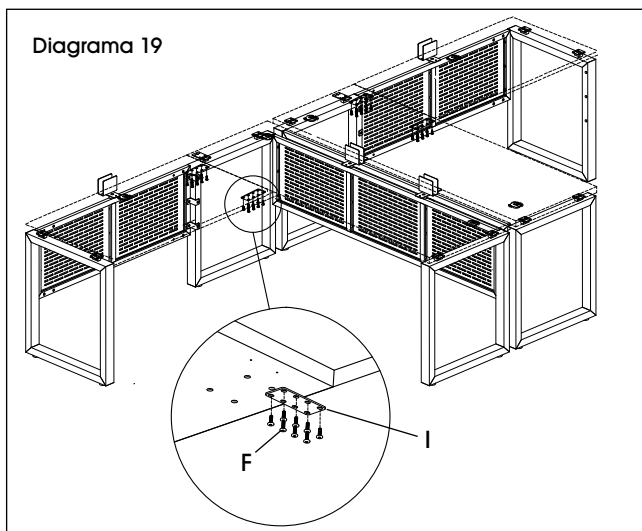


CONTINUACIÓN DE LAS INSTRUCCIONES DE LA ESTACIÓN DE TRABAJO CON ESCRITORIO EN L

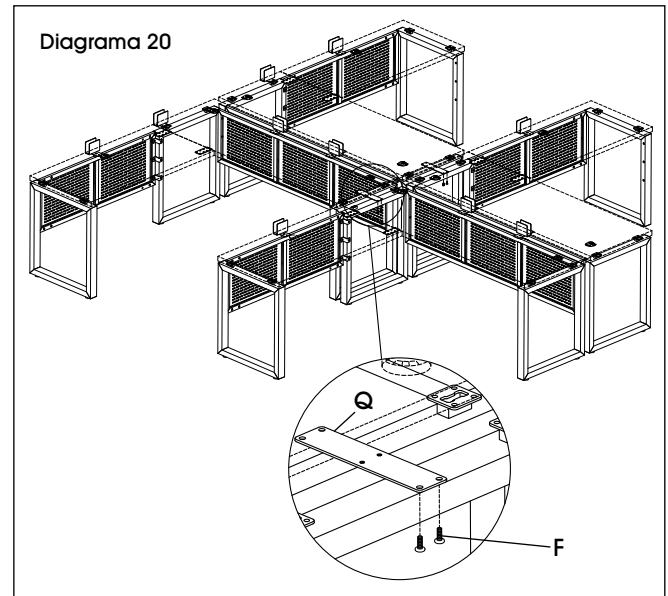
21. Con la ayuda de otra persona, levante la cubierta y la cubierta del retorno con cuidado sobre el armazón ensamblado. Conecte los armazones de las patas y las patas del retorno a las cubiertas utilizando seis pernos M6 x 55 mm (D). Repita con la cubierta y la cubierta del retorno restantes. (Vea Diagrama 18)
22. Conecte el recato y el recato del retorno a la cubierta instalando pernos M6 x 15 mm (F) a través de los conectores para recato (L, O). (Vea Diagrama 18)



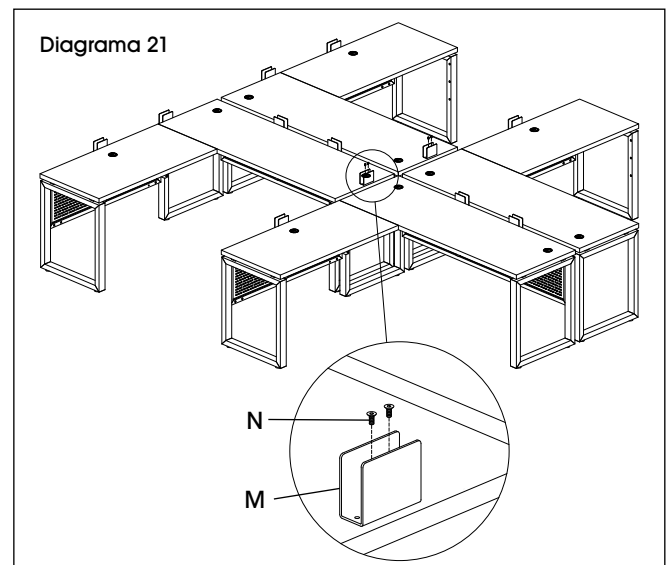
23. Para unir el escritorio y el retorno para escritorio, alinee el soporte plano (I) con los orificios debajo de cada cubierta. Inserte ocho pernos M6 x 15 mm (F) y apriételes. Repita con los otros soportes planos. (Vea Diagrama 19)



24. Coloque cada estación de trabajo de Escritorio en L para 2 Personas una al lado de la otra. Deslice dos soportes de unión planos (Q) entre los armazones de las patas y las cubiertas. Alinee los soportes de unión planos con los orificios debajo de la cubierta e instale utilizando ocho pernos M6 x 15 mm (F). (Vea Diagrama 20)



25. Instale los Soportes en U (M) a los soportes de unión planos utilizando cuatro pernos M6 x 10 mm (n). (Vea Diagrama 21)



CONTINUACIÓN DE LAS INSTRUCCIONES DE LA ESTACIÓN DE TRABAJO CON ESCRITORIO EN L

26. Instale los paneles de tela de 72" en cada cubierta y retorno. Instale las tapas para pata (J). (Vea Diagrama 22)

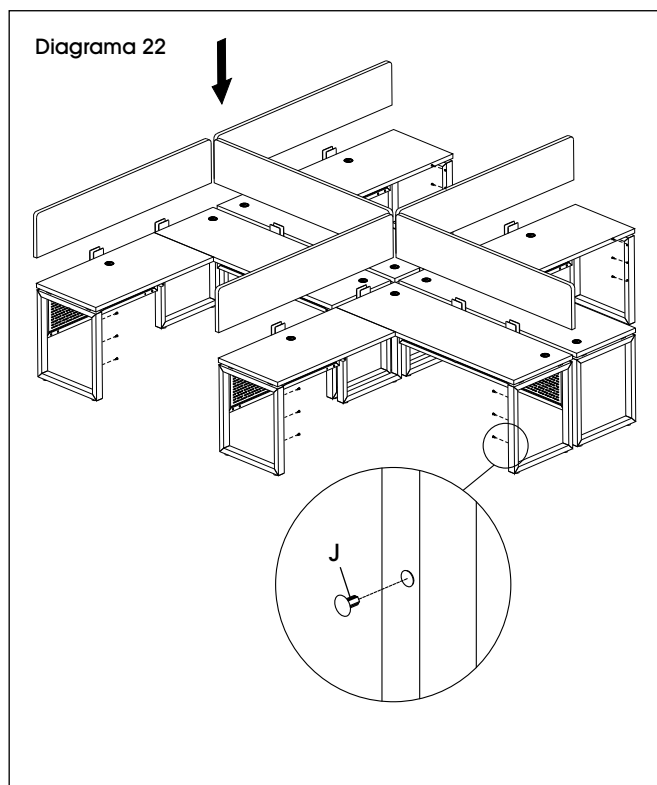


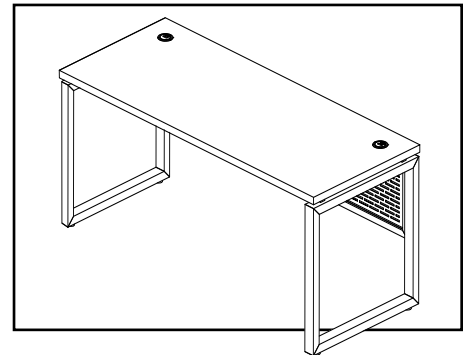
TABLE DES MATIÈRES**BUREAU, BUREAU EN L, BUREAU EN L AVEC HUCHE**

Pages 40 à 45

H-9778 H-9781 H-10355

H-9779 H-10353 H-10356

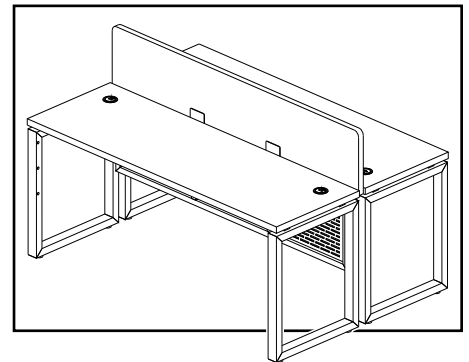
H-9780 H-10354 H-12338

**POSTE DE TRAVAIL DOS-À-DOS**

Pages 46 à 50

H-11743

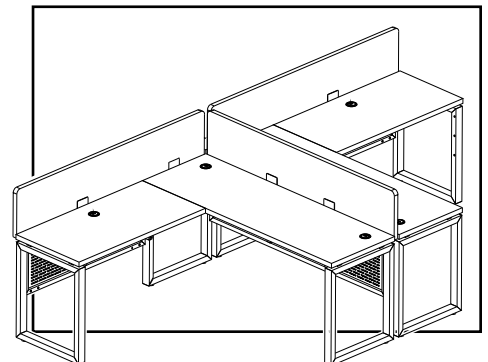
H-11745

**POSTE DE TRAVAIL EN L**

Pages 51 à 57

H-11744

H-11746

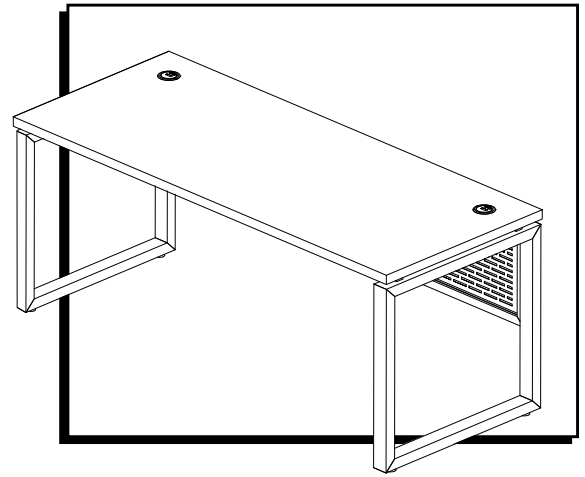
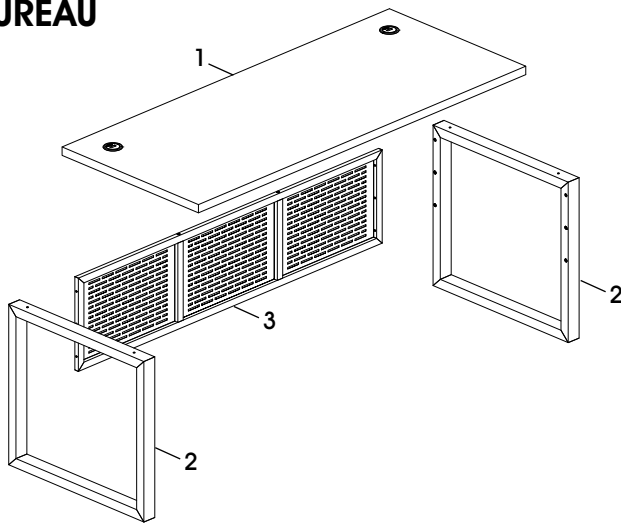
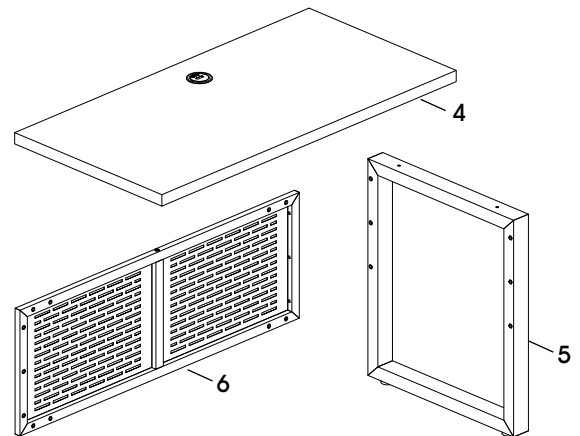


Pour le montage du bureau en L avec retour à hauteur réglable, consultez les instructions fournies avec la base de retour à hauteur réglable.

ULINE**BUREAU ET BUREAU EN L**

1 800 295-5510

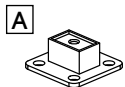
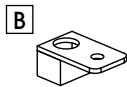
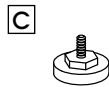
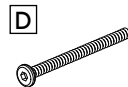
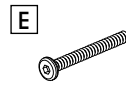
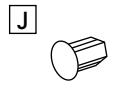
uline.ca

**OUTIL REQUIS**Clé Allen de 4 mm
(inclus)Montage à deux
personnes recommandé**PIÈCES****BUREAU****RETOUR DE BUREAU EN L OPTIONNEL****PIÈCES DU BUREAU**

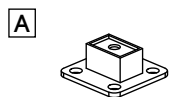
#	DESCRIPTION	QTÉ
1	Dessus de bureau	1
2	Cadre de pied	2
3	Panneau cache-jambes	1

PIÈCES DU RETOUR DE BUREAU EN L OPTIONNEL

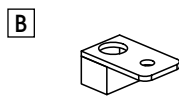
#	DESCRIPTION	QTÉ
4	Dessus du retour de bureau	1
5	Cadre de pied du retour	1
6	Panneau cache-jambes du retour	1

MATÉRIEL D'INSTALLATION DU BUREAUConnecteur de
cadre de pied x 4Connecteur de
panneau
cache-jambes x 2Patin de
nivellement
x 4Boulon
M6 x 55 mm
x 4Boulon
M6 x 45 mm
x 6Boulon
M6 x 15 mm
x 20Capuchon pour
passe-fil x 2Capuchon
de pied x 6

MATÉRIEL D'INSTALLATION DU RETOUR DE BUREAU EN L



A
Connecteur de cadre de pied x 2



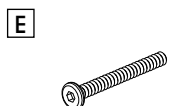
B
Connecteur de panneau cache-jambes x 1



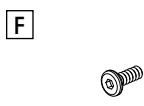
C
Patin de nivellement x 2



D
Boulon M6 x 55 mm x 2



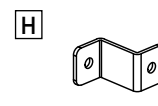
E
Boulon M6 x 45 mm x 3



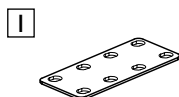
F
Boulon M6 x 15 mm x 32



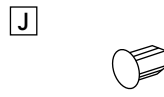
G
Capuchon pour passe-fil x 1



H
Connecteur en Z x 3



I
Support plat x 2



J
Capuchon de pied x 3

INSTRUCTIONS DE BUREAU ET BUREAU EN L



REMARQUE : Comptez et inspectez toutes les pièces avant de jeter le matériel d'emballage ou le carton.



REMARQUE : Montez le meuble sur une surface lisse qui ne marque pas afin d'éviter les rayures.



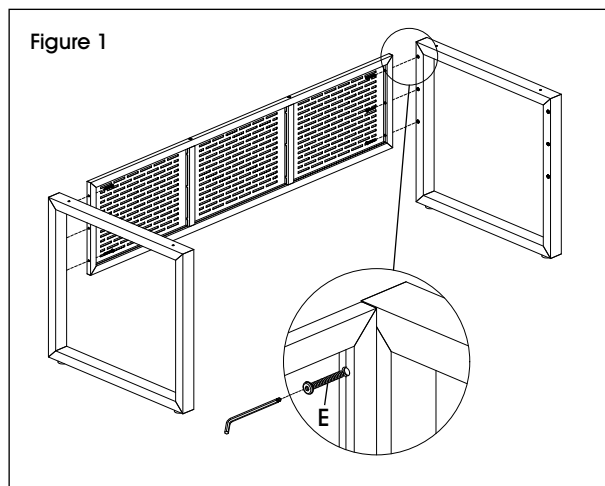
REMARQUE : Serrez tous les boulons à l'aide de la clé Allen de 4 mm.



REMARQUE : Les patins de nivellement et les capuchons pour passe-fil sont préinstallés.

MONTAGE DU BUREAU

1. Alignez les trous se trouvant sur un côté du panneau cache-jambes sur les trous du cadre de pied. Insérez trois boulons M6 x 45 mm (E), puis serrez-les. Répétez l'opération de l'autre côté. (Voir Figure 1)

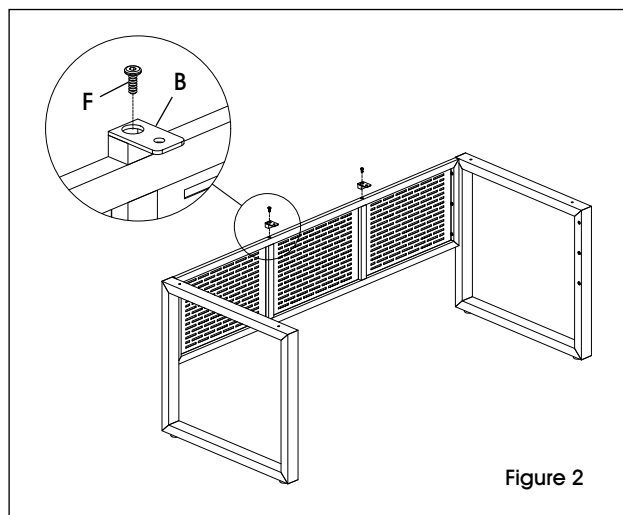


Pour le montage d'un bureau standard, passez à l'étape 2. Pour le montage d'un bureau en L ou d'un bureau en L avec huche, passez à la section Montage du retour de bureau en L à la page 42.

2. Alignez deux connecteurs de panneau cache-jambes (B) sur les trous situés sur la partie supérieure du panneau. Fixez-les avec deux boulons M6 x 15 mm (F), puis serrez-les. (Voir Figure 2)

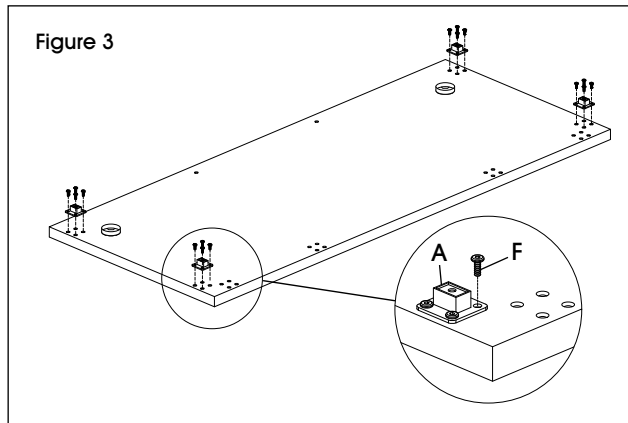


REMARQUE : Pour le bureau de 48 x 24 po, un seul connecteur de panneau cache-jambes doit être fixé.



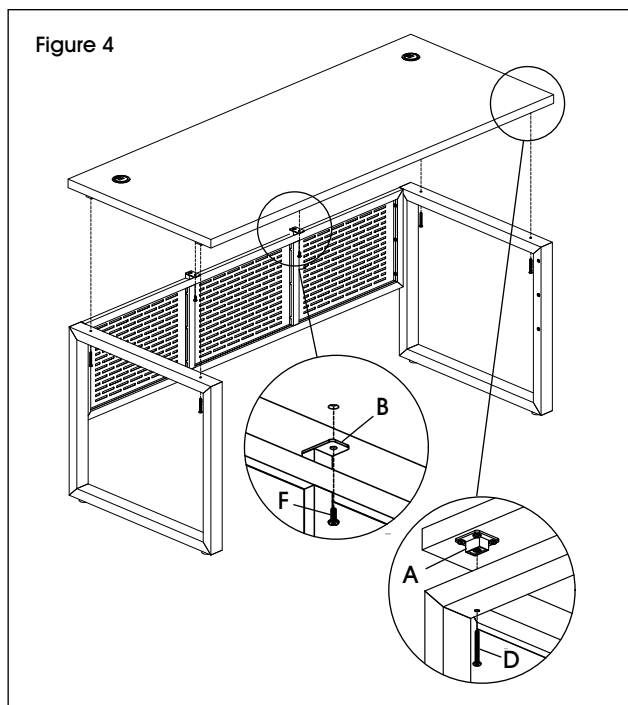
INSTRUCTIONS DE BUREAU ET BUREAU EN L SUITE

- Placez le dessus de bureau à l'envers. Alignez le connecteur de cadre de pied (A) sur les trous situés au coin du dessus de bureau. Insérez quatre boulons M6 x 15 mm (F), puis serrez-les. Répétez l'opération pour les trois autres connecteurs de cadre de pied. (Voir Figure 3)

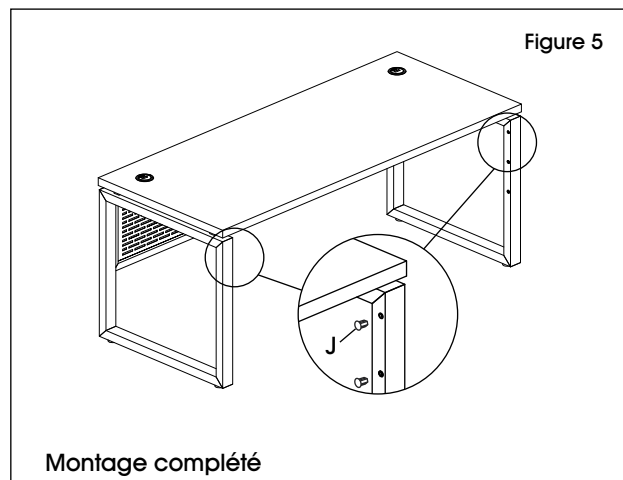


- À deux, déposez délicatement le dessus de bureau par-dessus le cadre assemblé. Alignez les trous du cadre sur les trous des connecteurs de cadre de pied (A). (Voir Figure 4)
- Insérez quatre boulons M6 x 55 mm (D) à travers les cadres de pied jusque dans les connecteurs de cadre de pied, puis serrez-les. Insérez deux boulons M6 x 15 mm (F) à travers les connecteurs de panneau cache-jambes (B) jusque dans la partie arrière du dessus de bureau, puis serrez-les. (Voir Figure 4)


 **REMARQUE :** Pour le bureau de 48 x 24 po, un seul boulon M6 x 15 mm doit être inséré.



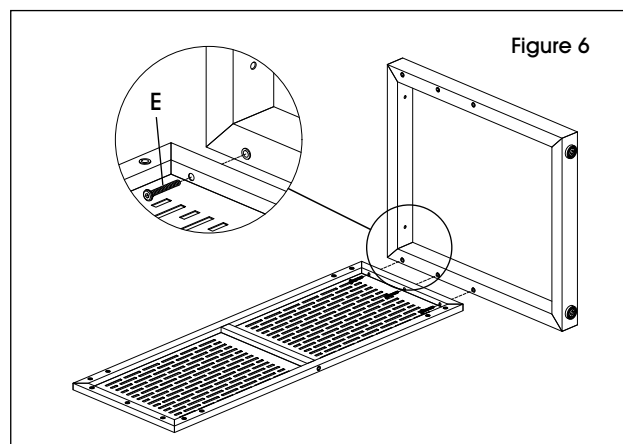
- Insérez six capuchons de pied (J) dans les cadres de pied. (Voir Figure 5)



MONTAGE DU RETOUR DE BUREAU EN L


 **REMARQUE :** Déterminez si le bureau en L sera configuré à droite ou à gauche. Cela aura un impact sur la façon dont le retour est monté. Le montage du bureau en L avec configuration à droite est indiqué dans les illustrations suivantes. Pour une configuration à gauche du bureau en L, les côtés opposés devront être reliés.

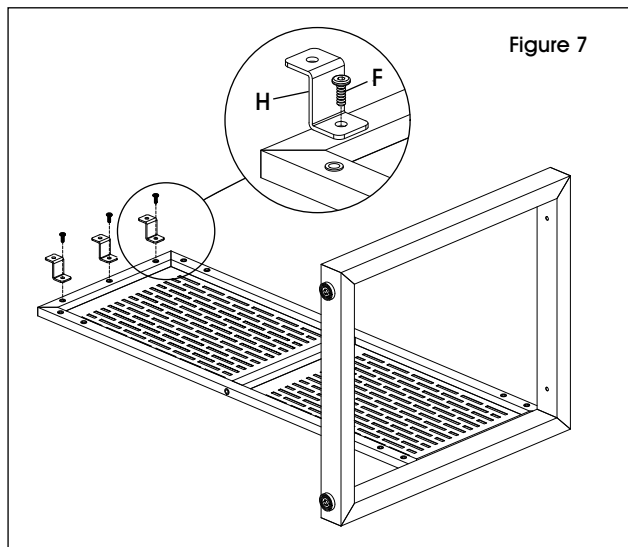
- Alignez les trous situés sur le côté droit du panneau cache-jambes du retour sur les trous situés sur le côté gauche du cadre de pied du retour. Insérez trois boulons M6 x 45 mm (E), puis serrez-les. (Voir Figure 6)



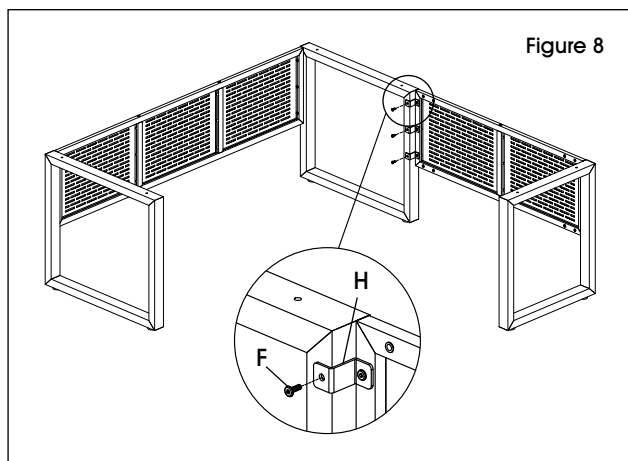
INSTRUCTIONS DE BUREAU ET BUREAU EN L SUITE

- Alignez les trous des trois connecteurs en Z (H) sur le côté gauche du panneau cache-jambes du retour. Insérez trois boulons M6 x 15 mm (F), puis serrez-les. (Voir Figure 7)

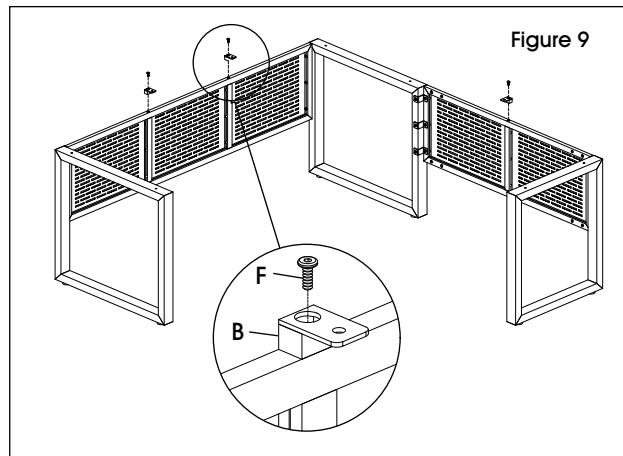
 **REMARQUE :** Certains trous se trouvant dans les coins du panneau cache-jambes du retour demeureront inutilisés. Vous pouvez ignorer ceux-ci dans la mesure où ils ont été conçus pour des configurations différentes du produit.



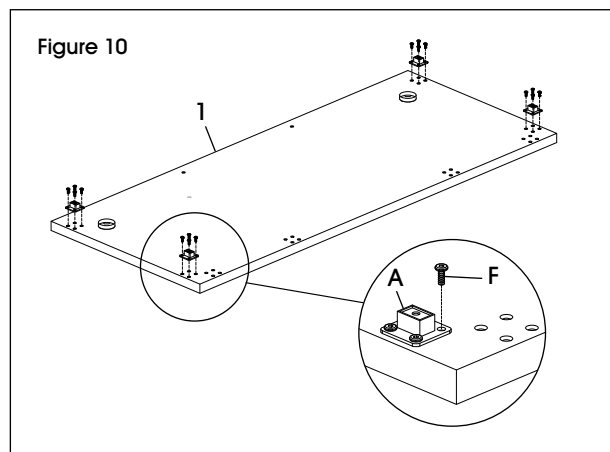
- À deux, positionnez délicatement le cadre du retour du côté droit du cadre de bureau. Alignez les trous des connecteurs en Z (H) sur la partie avant du cadre de pied droit. Insérez trois boulons M6 x 15 mm (F), puis serrez-les. (Voir Figure 8)



- Alignez trois connecteurs de panneau cache-jambes (B) sur les trous situés sur la partie supérieure des panneaux cache-jambes. Fixez-les avec trois boulons M6 x 15 mm (F), puis serrez bien. (Voir Figure 9)




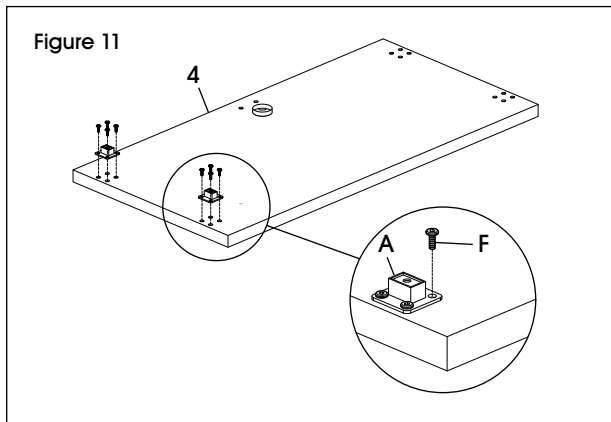
- Placez le dessus de bureau (1) à l'envers. Alignez le connecteur de cadre de pied (A) sur les trous situés au coin du dessus de bureau. Insérez quatre boulons M6 x 15 mm (F), puis serrez-les. Répétez l'opération pour les trois autres connecteurs de cadre de pied. (Voir Figure 10)



INSTRUCTIONS DE BUREAU ET BUREAU EN L SUITE

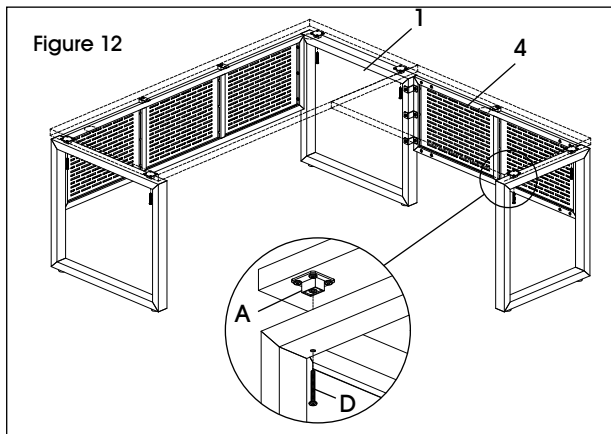
6. Placez le dessus du retour de bureau (4) à l'envers. Alignez le connecteur de cadre de pied (A) sur les trous situés au coin du dessus du retour de bureau. Insérez quatre boulons M6 x 15 mm (F), puis serrez-les. Répétez l'opération pour le connecteur de cadre de pied restant. (Voir Figure 11)

 **REMARQUE :** Pour une configuration à gauche du bureau en L, les connecteurs de cadre de pied devront être fixés du côté opposé du dessus du retour de bureau.

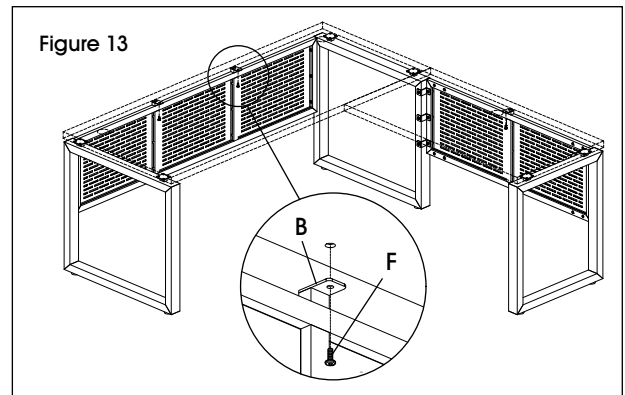


7. À deux, déposez délicatement le dessus de bureau (1) par-dessus le cadre assemblé, puis alignez les trous du cadre sur les trous des connecteurs de cadre de pied. Insérez quatre boulons M6 x 55 mm (D) à travers les cadres de pied jusque dans les connecteurs de cadre de pied (A), puis serrez. (Voir Figure 12)

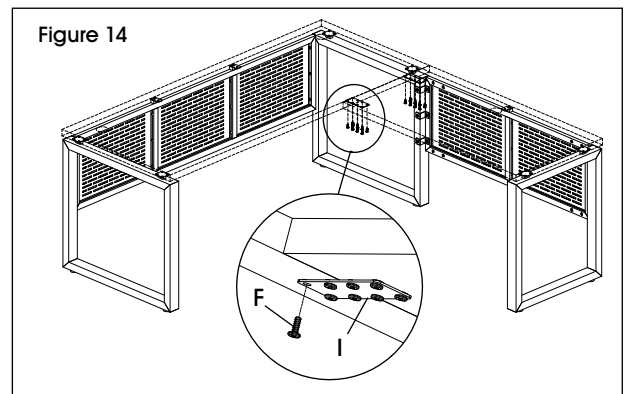
8. Déposez délicatement le dessus du retour de bureau (4) par-dessus le cadre assemblé, puis alignez les trous du cadre sur les trous des connecteurs de cadre de pied. Insérez deux boulons M6 x 55 mm (D) à travers le cadre de pied du retour jusque dans les connecteurs de cadre de pied, puis serrez. (Voir Figure 12)



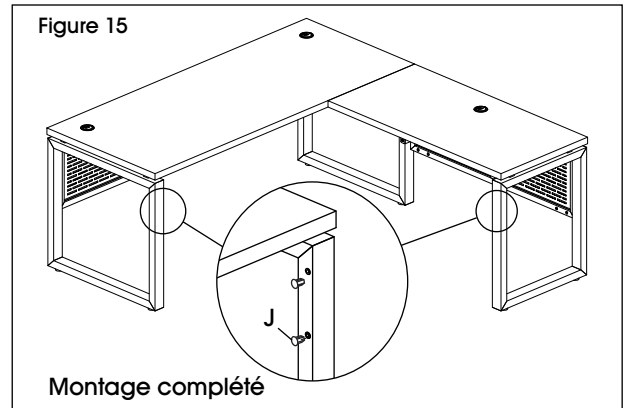
9. Insérez trois boulons M6 x 15 mm (F) à travers les connecteurs de panneau cache-jambes (B) jusque dans la partie arrière du dessus de bureau et du dessus du retour de bureau, puis serrez. (Voir Figure 13)




10. Pour relier le dessus de bureau à celui du retour de bureau, alignez le support plat (I) avec les trous du dessus de bureau et ceux du retour de bureau. Insérez huit boulons M6 x 15 mm (F), puis serrez. Répétez l'opération avec l'autre support plat du côté opposé. (Voir Figure 14)



11. Insérez six capuchons de pied (J) dans le cadre de pied du bureau principal et le cadre de pied du retour. (Voir Figure 15)

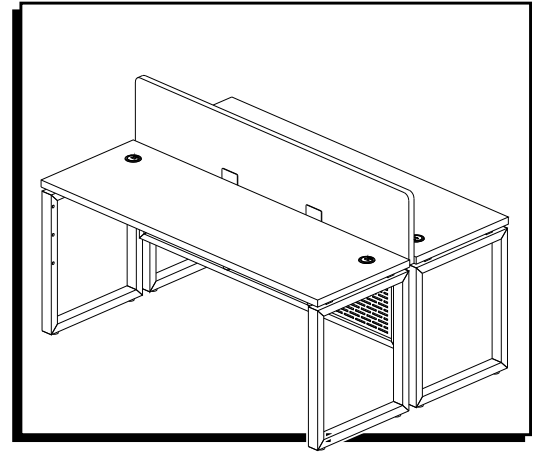


 **REMARQUE :** Si vous montez un bureau en L avec huche, passez aux instructions de montage de la huche comprises avec l'article H-12339.

ULINE H-11743, H-11745

**POSTE DE TRAVAIL
DOS-À-DOS**

1 800 295-5510
uline.ca



OUTIL REQUIS



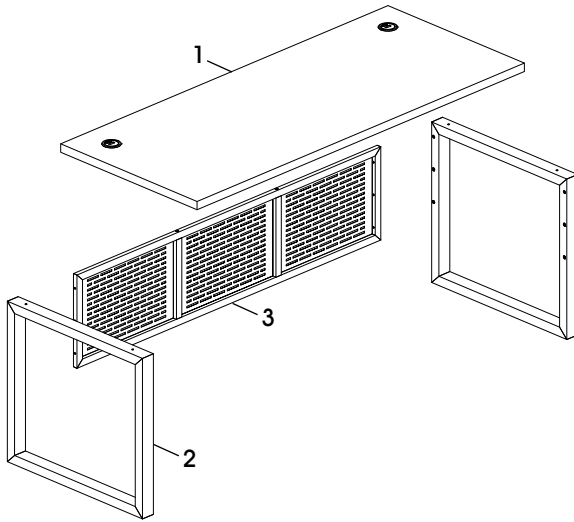
Clé Allen de 4 mm
(inclus)



Montage à deux
personnes recommandé

PIÈCES DU BUREAU

BUREAU

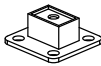


PIÈCES DU BUREAU

#	DESCRIPTION	QTÉ	
		2 personnes, 72 x 48 po (H-11743)	4 personnes, 144 x 48 po (H-11745)
1	Dessus de bureau	2	4
2	Cadre de pied	4	8
3	Panneau cache-jambes	2	4

MATÉRIEL D'INSTALLATION DU BUREAU

A



Connecteur de cadre de pied
(H-11743 x 8)
(H-11745 x 16)

C



Patin de nivellement
(H-11743 x 8)
(H-11745 x 16)

D



Boulon M6 x 55 mm
(H-11743 x 8)
(H-11745 x 16)

E



Boulon M6 x 45 mm
(H-11743 x 12)
(H-11745 x 24)

F



Boulon M6 x 15 mm
(H-11743 x 32)
(H-11745 x 64)

G



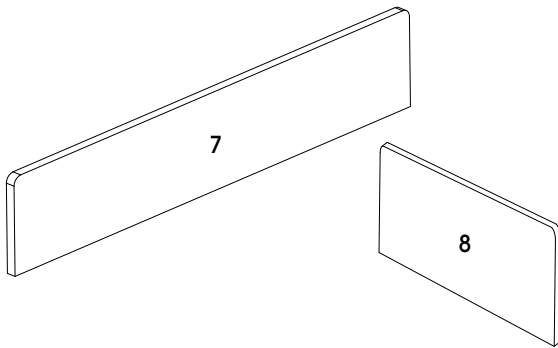
Capuchon pour passe-fil
(H-11743 x 4)
(H-11745 x 8)

J



Capuchon de pied
(H-11743 x 12)
(H-11745 x 24)

PIÈCES DES PANNEAUX



PIÈCES DES PANNEAUX

#	DESCRIPTION	QTÉ	
		2 personnes, 72 x 48 po (H-11743)	4 personnes, 144 x 48 po (H-11745)
7	Panneau en tissu de 72 po	1	2
8	Panneau en tissu de 24 po	0	2

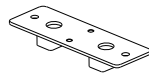
MATÉRIEL D'INSTALLATION DES PANNEAUX

F



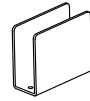
Boulon M6 x 15 mm
(H-11743 x 8)
(H-11745 x 24)

L



Connecteur de panneau
cache-jambes double
(H-11743 x 2)
(H-11745 x 4)

M



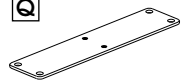
Support en U
(H-11743 x 2)
(H-11745 x 6)

N



Boulon M6 x 10 mm
(H-11743 x 4)
(H-11745 x 12)

Q



Support de
connecteur plat
(x 2 pour H-11745
uniquement)

INSTRUCTIONS DE POSTE DE TRAVAIL DOS-À-DOS



REMARQUE : Comptez et inspectez toutes les pièces avant de jeter le matériel d'emballage ou le carton.



REMARQUE : Montez le meuble sur une surface lisse qui ne marque pas afin d'éviter les rayures.

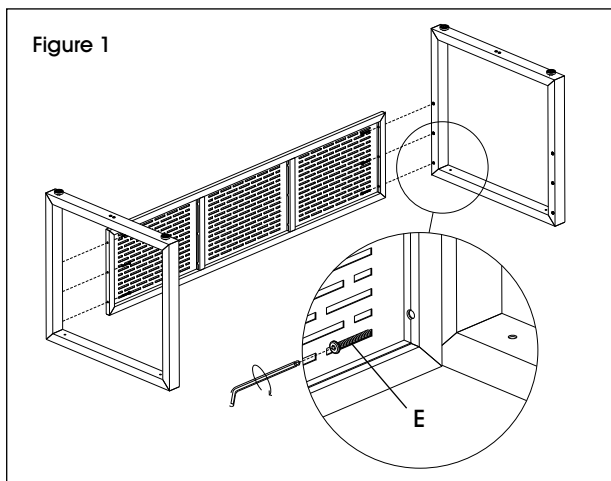


REMARQUE : Serrez tous les boulons à l'aide de la clé Allen de 4 mm.

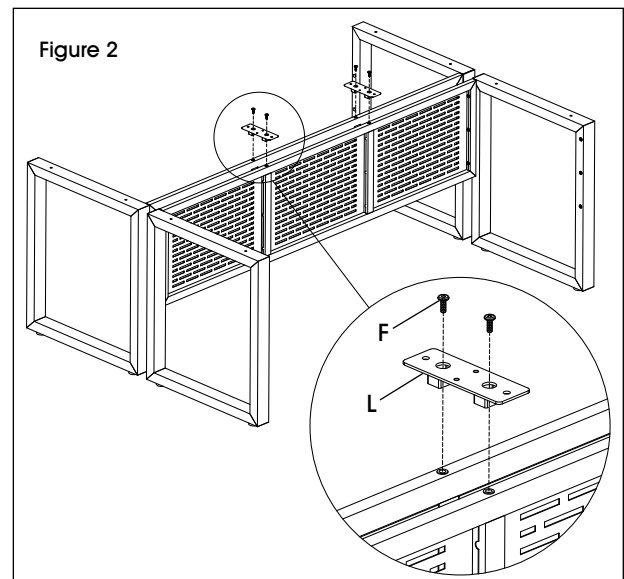


REMARQUE : Les patins de nivellement et les capuchons pour passe-fil sont préinstallés.

1. Alignez les trous se trouvant sur un côté du panneau cache-jambes sur les trous du cadre de pied. Insérez trois boulons M6 x 45 mm (E), puis serrez-les. Répétez l'opération de l'autre côté. (Voir Figure 1)

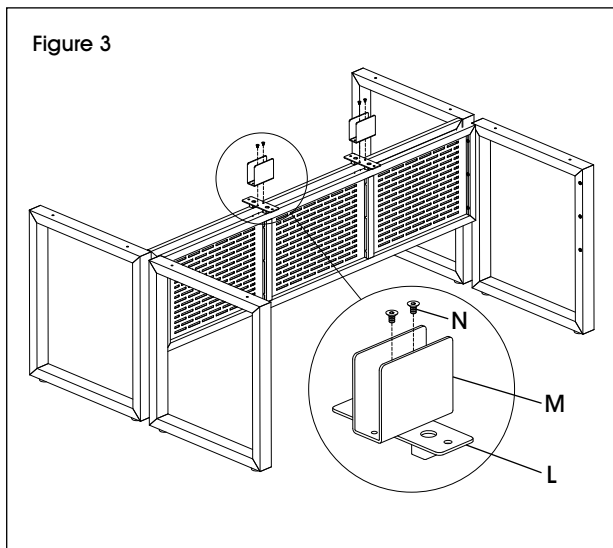


2. Répétez les étapes 1 et 2 pour les autres cadres de pied et le panneau cache-jambes.
3. À deux, positionnez les cadres et les panneaux cache-jambes les uns vers les autres. Alignez les connecteurs de panneau cache-jambes double (L) sur les trous situés sur le bord supérieur des panneaux cache-jambes et fixez-les à l'aide de quatre boulons M6 x 15 mm (F). (Voir Figure 2)

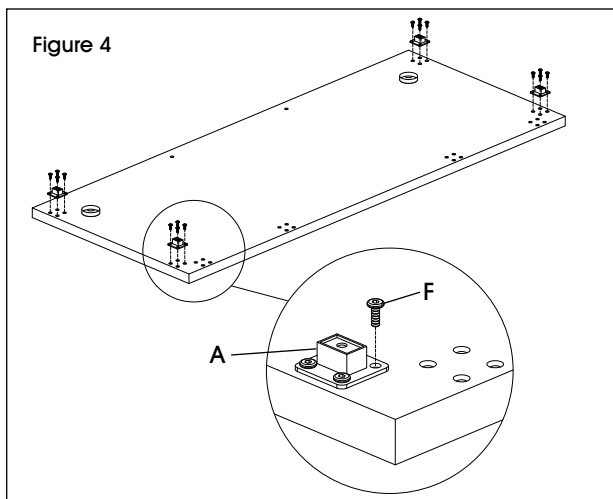


INSTRUCTIONS DE POSTE DE TRAVAIL DOS-À-DOS SUITE

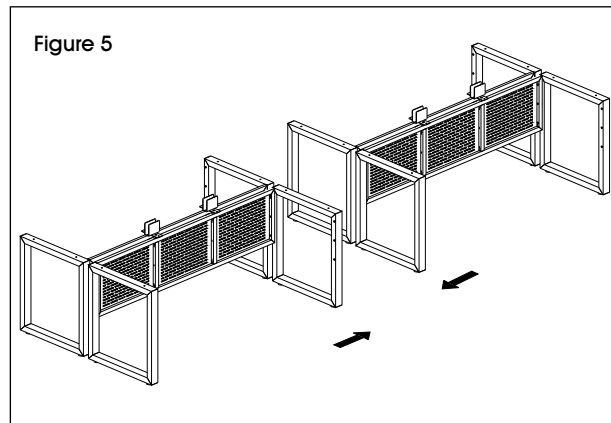
4. Installez deux supports en U (M) dans chaque connecteur de panneau cache-jambes double (L) avec quatre boulons M6 x 10 mm (N). (Voir Figure 3)



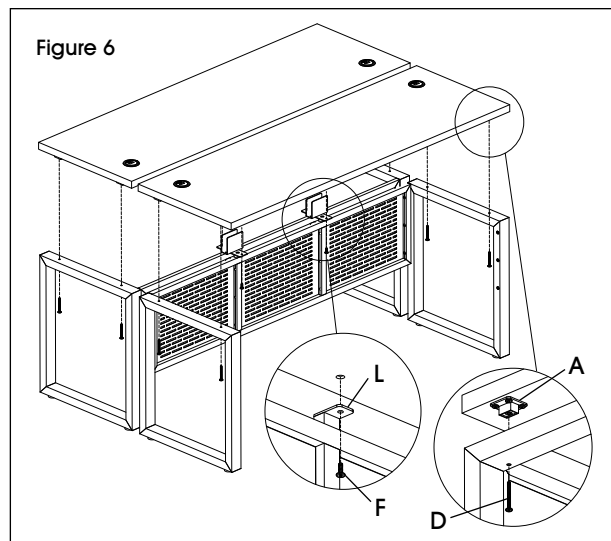
5. À deux, posez le dessus de bureau à l'envers. Alignez les connecteurs de cadre de pied (A) sur les trous situés aux coins du dessus de bureau. Insérez quatre boulons M6 x 15 mm (F), puis serrez-les. Répétez l'opération pour l'autre dessus de bureau. (Voir Figure 4)



Si vous montez le poste de travail pour 4 personnes (n° de modèle Uline H-11745), répétez les étapes 1 à 6 pour les composants restants. Placez les deux cadres de poste de travail assemblés côte à côte. (Voir Figure 5)



6. À deux, déposez délicatement l'un des dessus de bureau par-dessus le cadre assemblé. Alignez les trous du cadre de pied sur les trous des connecteurs de cadre de pied (A). Insérez quatre boulons M6 x 55 mm (D) à travers les cadres de pied jusque dans les connecteurs de cadre de pied, puis serrez. Insérez deux boulons M6 x 15 mm (F) à travers les connecteurs de panneau cache-jambes double (L) jusque dans la partie arrière du dessus de bureau, puis serrez-les. Répétez l'opération pour les autres dessus de bureau. (Voir Figure 6)



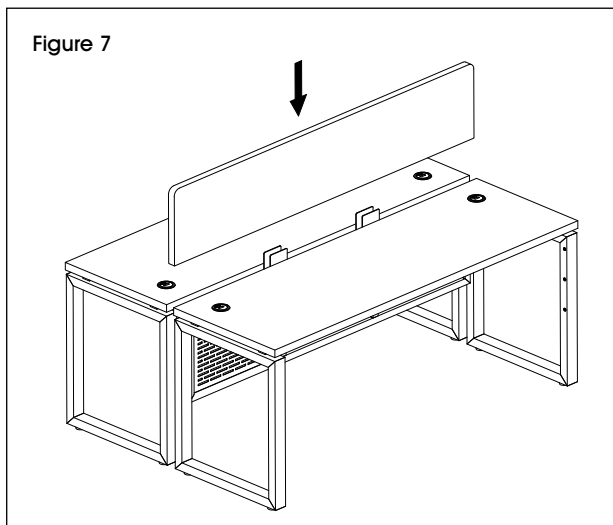
Si vous montez le poste de travail pour 2 personnes (n° de modèle Uline H-11743), passez à l'étape 7.

Si vous montez le poste de travail pour 4 personnes (n° de modèle Uline H-11745), passez à l'étape 9.

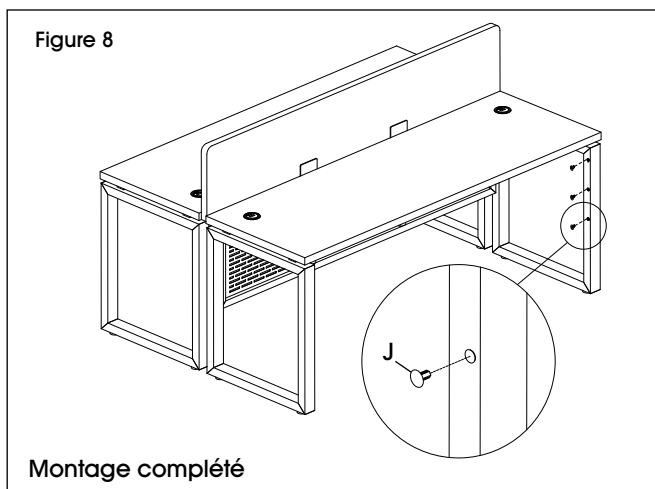
INSTRUCTIONS DE POSTE DE TRAVAIL DOS-À-DOS SUITE

POSTE DE TRAVAIL DOS-À-DOS POUR 2 PERSONNES

7. À deux, placez le panneau en tissu de 72 po dans les supports en U. (Voir Figure 7)

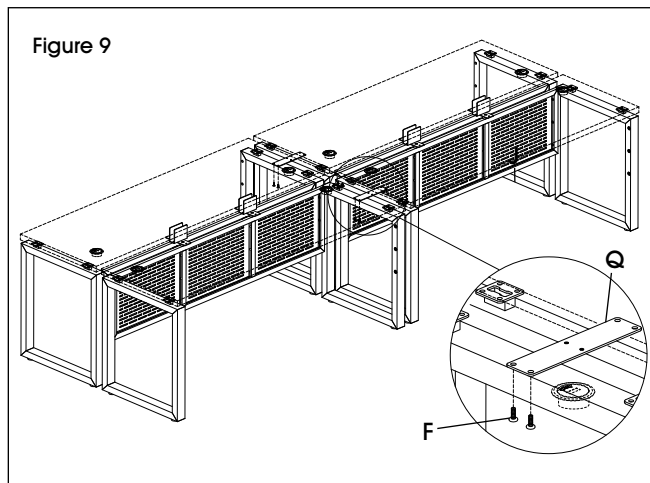


8. Insérez les capuchons de pied (J) dans le dessus de bureau. (Voir Figure 8)

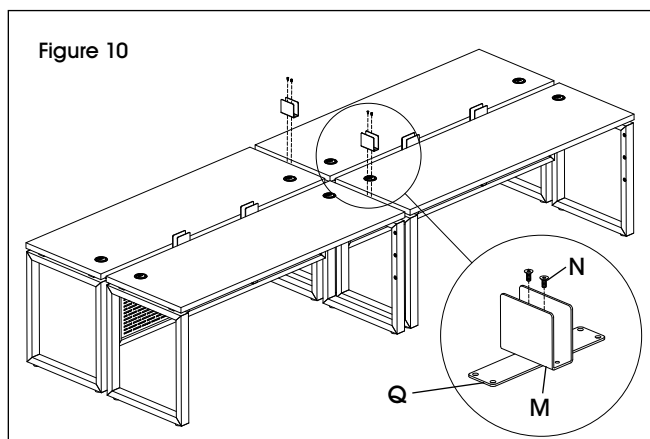


POSTE DE TRAVAIL DOS-À-DOS POUR 4 PERSONNES

9. Insérez deux supports de connecteur plats (Q) entre les cadres de pied et les dessus de bureau. Alignez les supports sur les trous se trouvant sous les dessus de bureau et fixez le tout avec huit boulons M6 x 15 mm (F). (Voir Figure 9)

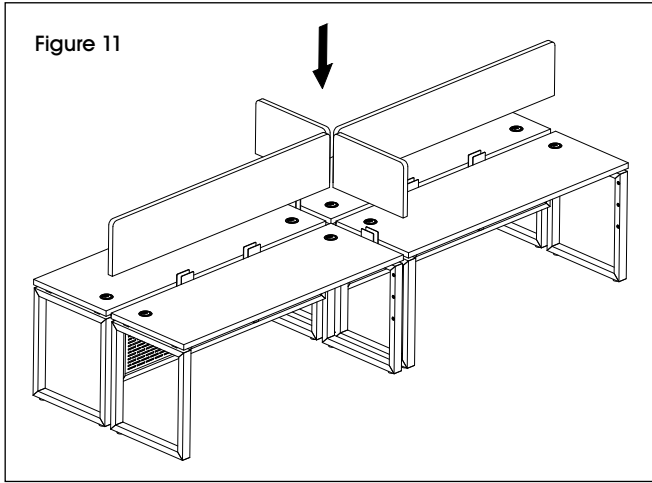


10. Fixez les supports en U (M) sur chaque connecteur plat (Q) avec quatre boulons M6 x 10 mm (N). (Voir Figure 10)

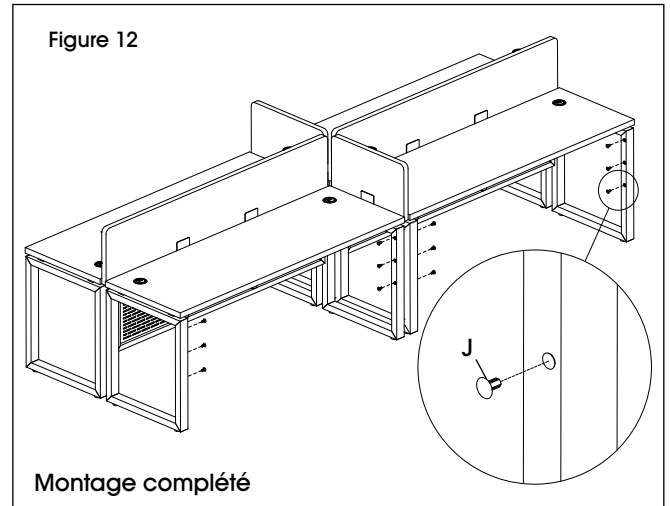


MONTAGE DU POSTE DE TRAVAIL DOS À DOS SUITE

11. Installez les panneaux en tissu de 72 po et 24 po dans les supports en U. (Voir Figure 11)



12. Insérez les capuchons de pied (J) dans le cadre de pied. (Voir Figure 12)



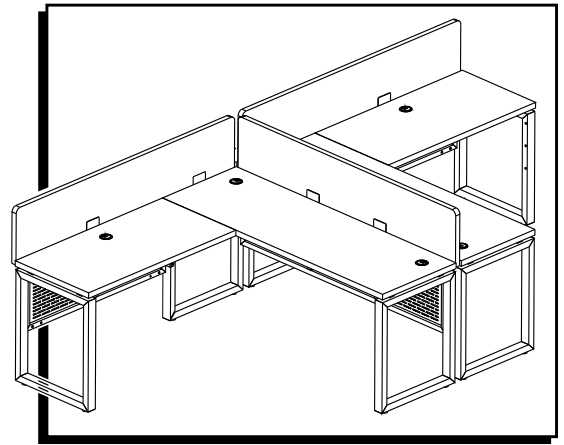
ULINE

1 800 295-5510
uline.ca

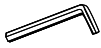
ULINE H-11744, H-11746

POSTE DE TRAVAIL EN L

1 800 295-5510
uline.ca



OUTIL REQUIS



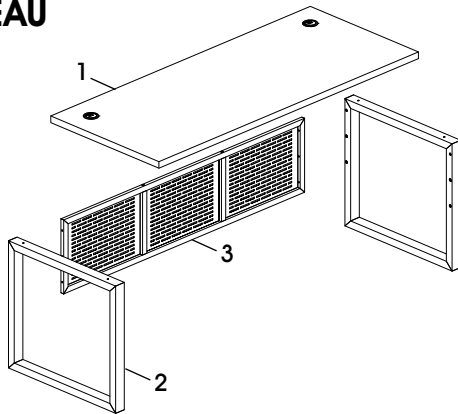
Clé Allen de 4 mm
(inclus)



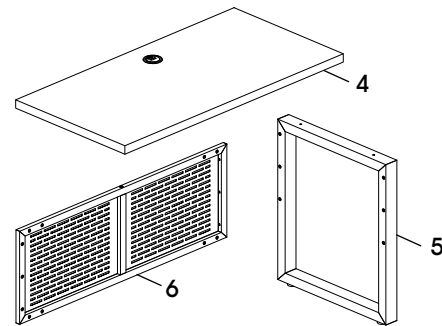
Montage à deux
personnes recommandé

PIÈCES DU BUREAU EN L

BUREAU



RETOUR DE BUREAU

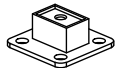


PIÈCES DU BUREAU ET DU RETOUR DE BUREAU

#	DESCRIPTION	QTÉ	
		Bureau en L pour 2 personnes, 72 x 48 po (H-11744)	Bureau en L pour 4 personnes, 144 x 48 po (H-11746)
1	Dessus de bureau	2	4
2	Cadre de pied	4	8
3	Panneau cache-jambes	2	4
4	Dessus du retour de bureau	2	4
5	Cadre de pied du retour	2	4
6	Panneau cache-jambes du retour	2	4

MATÉRIEL D'INSTALLATION DU BUREAU EN L

A



Connecteur de cadre de pied
(H-11744 x 10)
(H-11746 x 22)

C



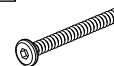
Patin de nivellement
(H-11744 x 12)
(H-11746 x 24)

D



Boulon M6 x 55 mm
(H-11744 x 10)
(H-11746 x 22)

E



Boulon M6 x 45 mm
(H-11744 x 18)
(H-11746 x 36)

F



Boulon M6 x 15 mm
(H-11744 x 84)
(H-11746 x 176)

G



Capuchon pour
passe-fil
(H-11744 x 6)
(H-11746 x 12)

H



Connecteur en Z
(H-11744 x 6)
(H-11746 x 12)

I



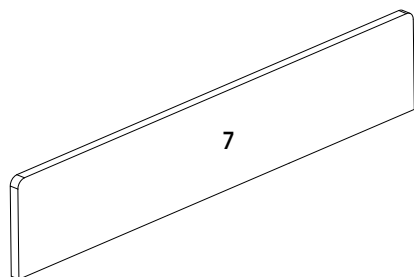
Support plat
(H-11744 x 4)
(H-11746 x 8)

J



Capuchon de pied
(H-11744 x 12)
(H-11746 x 24)

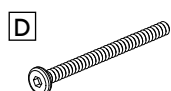
PIÈCES DES PANNEAUX EN TISSU POUR BUREAU EN L



PIÈCES DES PANNEAUX EN TISSU

#	DESCRIPTION	QTÉ	
		Bureau en L pour 2 personnes, 72 x 48 po (H-11744)	Bureau en L pour 4 personnes, 144 x 48 po (H-11746)
7	Panneau en tissu de 72 po	3	6

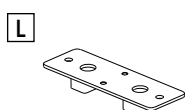
MATÉRIEL D'INSTALLATION DES PANNEAUX EN TISSU POUR BUREAU EN L



D
Boulon M6 x 55 mm
(H-11744 x 2)
(H-11746 x 2)



F
Boulon M6 x 15 mm
(H-11744 x 20)
(H-11746 x 40)



L
Connecteur de panneau cache-jambes double
(H-11744 x 2), (H-11746 x 4)



M
Support en U
(H-11744 x 6)
(H-11746 x 12)



N
Boulon M6 x 10 mm
(H-11744 x 12)
(H-11746 x 24)



O
Connecteur de panneau cache-jambes simple avec support
(H-11744 x 2), (H-11746 x 4)



P
Connecteur de cadre de pied avec support
(H-11744 x 2), (H-11746 x 2)



Q
Support de connecteur plat
(x 2 pour H-11746 uniquement)

INSTRUCTIONS DU POSTE DE TRAVAIL EN L



REMARQUE : Comptez et inspectez toutes les pièces avant de jeter le matériel d'emballage ou le carton.



REMARQUE : Montez le meuble sur une surface lisse qui ne marque pas afin d'éviter les rayures.



REMARQUE : Serrez tous les boulons à l'aide de la clé Allen de 4 mm.

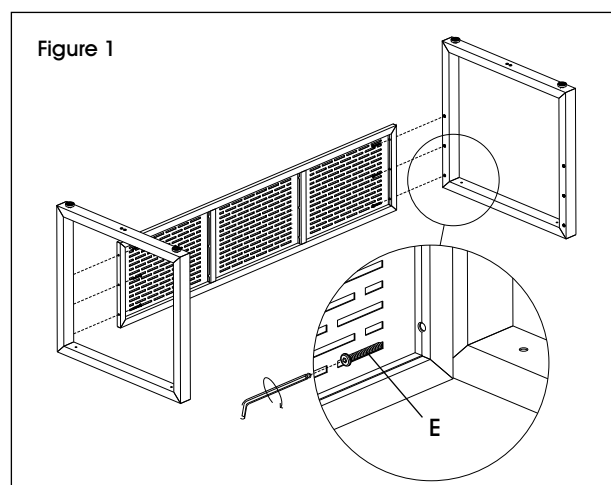


REMARQUE : Les patins de nivellement et les capuchons pour passe-fil sont préinstallés.



REMARQUE : Les figures suivantes illustrent un cadre de poste de travail pour 2 personnes avec un bureau en L avec configuration à gauche et un bureau en L avec configuration à droite.

1. Alignez les trous se trouvant sur un côté du panneau cache-jambes sur les trous du cadre de pied. Insérez trois boulons M6 x 45 mm (E), puis serrez-les. Répétez l'opération de l'autre côté. (Voir Figure 1)

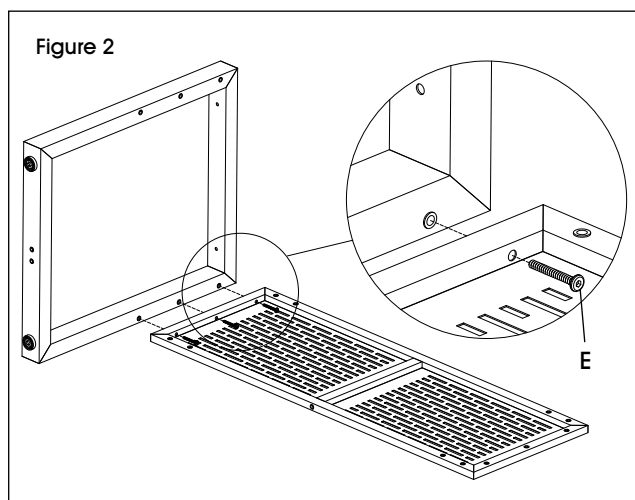


2. Répétez les étape 1 pour le panneau cache-jambes restant et les cadres de pied restants.


INSTRUCTIONS DU POSTE DE TRAVAIL EN L SUITE

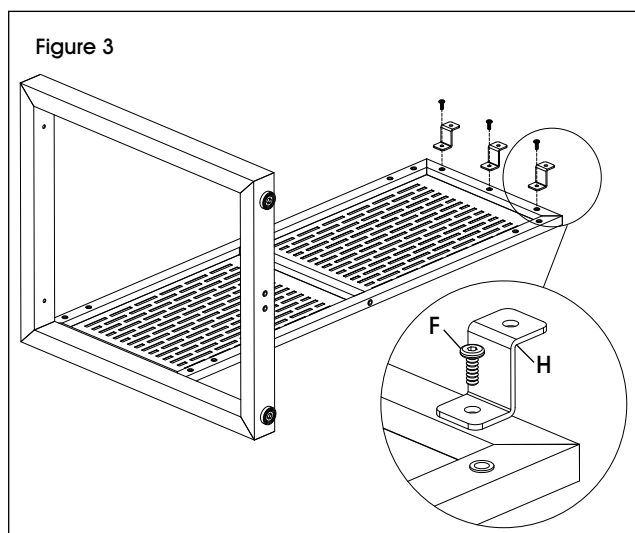
3. Pour une configuration du côté gauche, alignez les trous situés sur le côté gauche du panneau cache-jambes du retour sur les trous situés sur le côté droit du cadre de pied du retour. Insérez trois boulons M6 x 45 mm (E), puis serrez-les. Pour une configuration du côté droit, fixez le cadre de pied du retour sur le côté opposé du panneau cache-jambes du retour. (Voir Figure 2)

 **REMARQUE :** La figure illustre le montage du retour de bureau avec configuration à gauche.

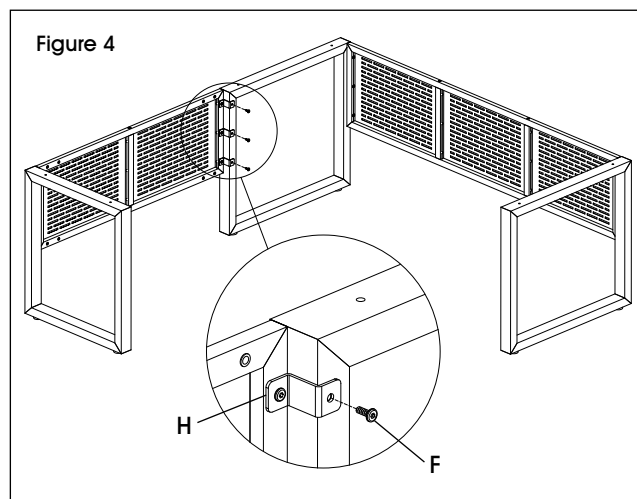


4. Alignez les trous des trois connecteurs en Z (H) sur les trous situés sur le panneau cache-jambes du retour. Insérez trois boulons M6 x 15 mm (F), puis serrez-les. (Voir Figure 3)

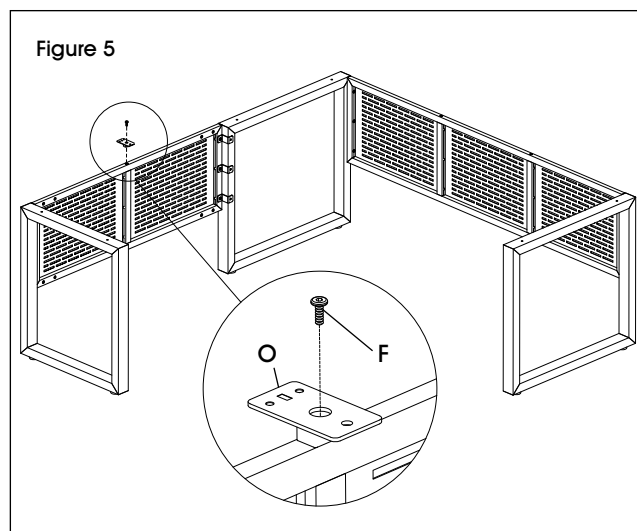
 **REMARQUE :** Certains trous se trouvant dans les coins du panneau cache-jambes du retour demeureront inutilisés. Vous pouvez ignorer ceux-ci dans la mesure où ils ont été conçus pour des configurations différentes du produit.



5. À deux, alignez soigneusement les trous de trois connecteurs en Z (H) sur la partie avant du cadre de pied gauche. Insérez trois boulons M6 x 15 mm (F), puis serrez-les. (Voir Figure 4)



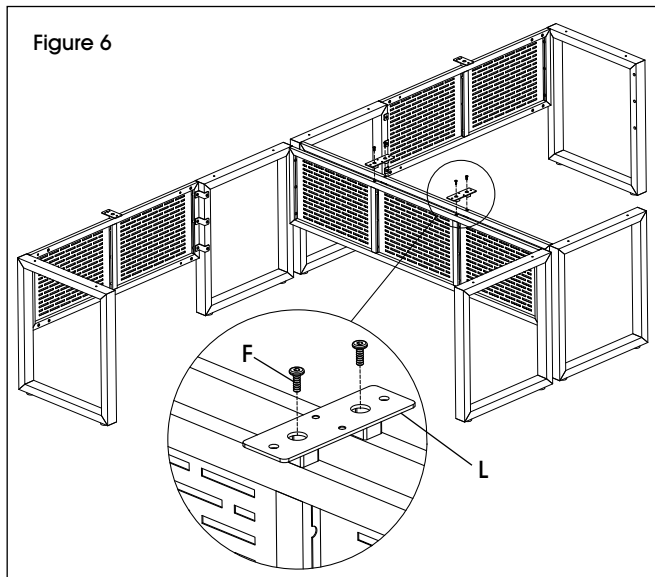
6. Utilisez un boulon M6 x 15 mm (F) pour fixer un connecteur de panneau cache-jambes simple avec support (O) sur le bord supérieur du panneau cache-jambes du retour. (Voir Figure 5)



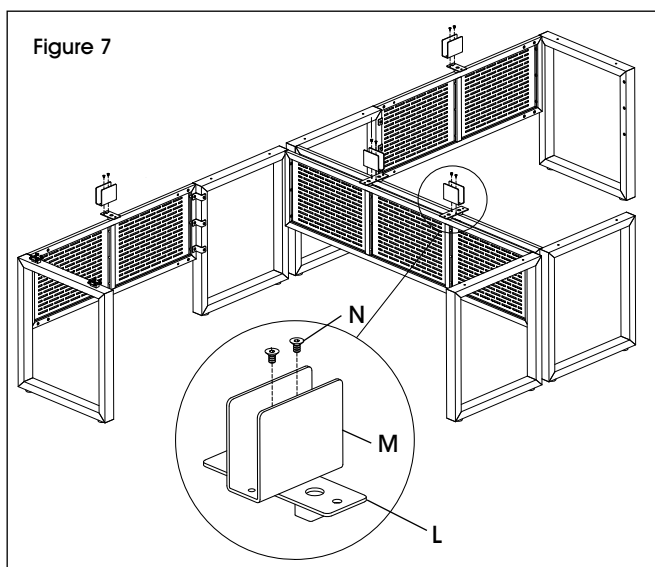
7. Répétez les étapes 4 à 6 pour l'autre bureau et cadre de retour.

INSTRUCTIONS DU POSTE DE TRAVAIL EN L SUITE

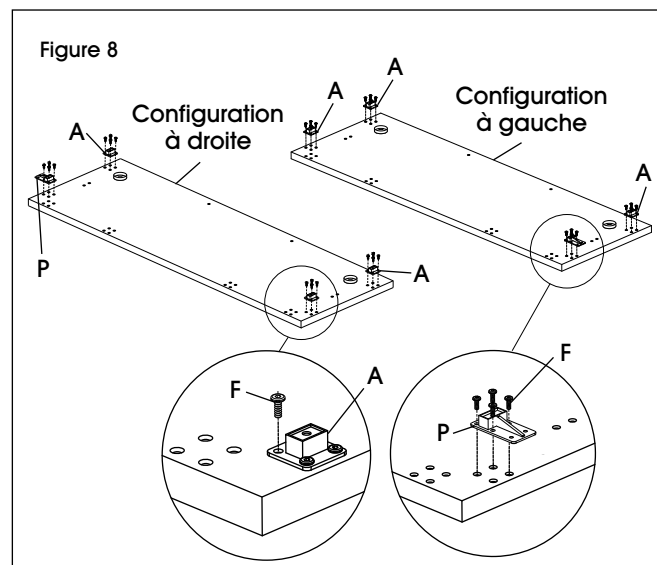
8. À deux, positionnez les cadres et les panneaux cache-jambes les uns vers les autres. Alignez deux connecteurs de panneau cache-jambes double (L) sur les trous situés sur la partie supérieure de chaque panneau cache-jambes. Fixez le tout avec quatre boulons M6 x 15 mm (F). (Voir Figure 6)



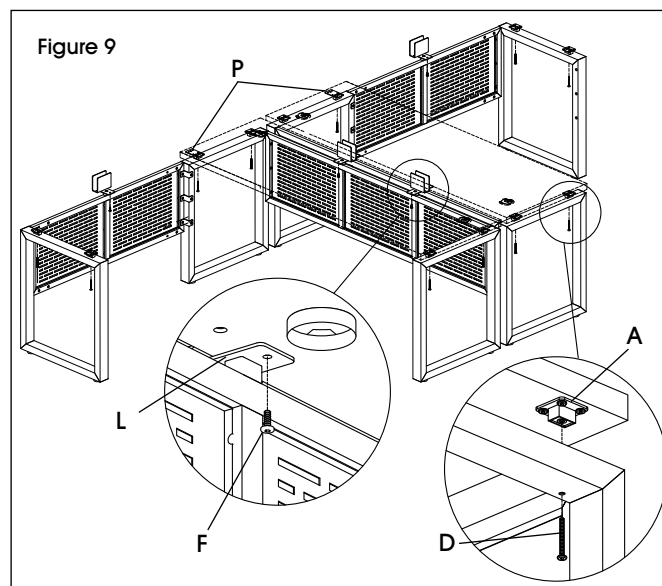
9. Installez un support en U (M) dans les connecteurs de panneau cache-jambes avec supports (L, O) avec huit boulons M6 x 10 mm (N). (Voir Figure 7)



10. À deux, posez le dessus de bureau principal à l'envers. Installez un connecteur de cadre de pied avec support (P) dans le coin qui sera placé le plus près du retour. Installez des connecteurs de cadre de pied standard (A) dans les autres coins du dessus de bureau. Fixez le tout avec des boulons M6 x 15 mm (F). Consultez la Figure 9 pour déterminer l'emplacement correct de chaque connecteur de cadre de pied. (Voir Figure 8)

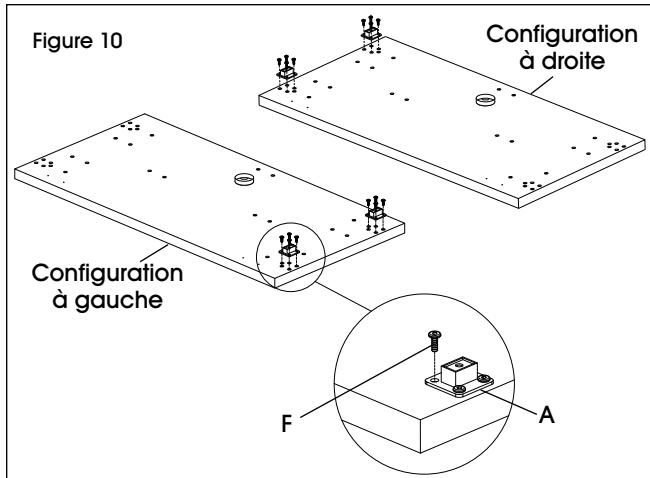


11. À deux, déposez délicatement le dessus de bureau par-dessus le cadre assemblé. Alignez les trous du cadre sur les trous des connecteurs de cadre de pied (A, P). Insérez quatre boulons M6 x 55 mm (D) pour fixer chaque dessus de bureau sur les cadres de pied. Insérez deux boulons M6 x 15 mm (F) à travers les connecteurs de panneau cache-jambes (L) de chaque bureau, puis serrez-les. Répétez l'opération pour l'autre dessus de bureau. (Voir Figure 9)

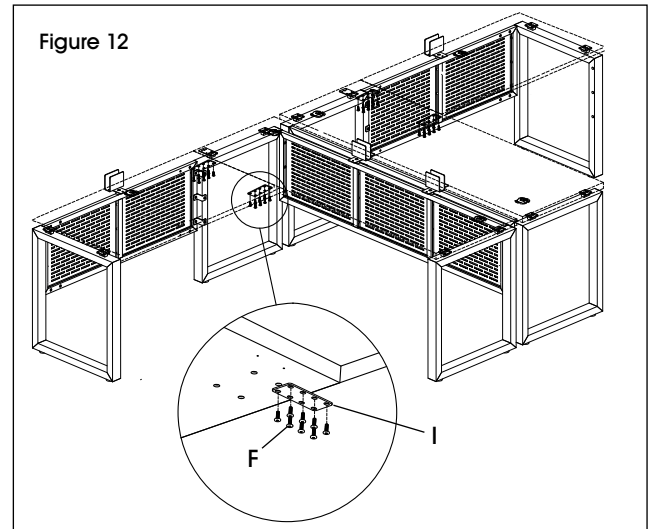


INSTRUCTIONS DU POSTE DE TRAVAIL EN L SUITE

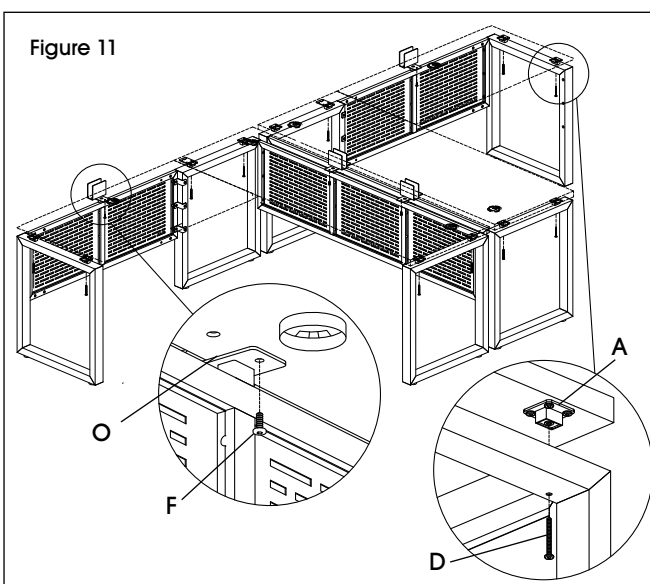
12. Placez le dessus du retour de bureau à l'envers. Alignez chaque connecteur de panneau cache-jambes (A) sur les trous situés au coin du dessus du retour de bureau et fixez-les à l'aide de quatre boulons M6 x 15 mm (F). Répétez l'opération pour le connecteur de cadre de pied restant. Consultez la Figure 11 pour déterminer l'emplacement correct de chaque connecteur de cadre de pied. (Voir Figure 10)



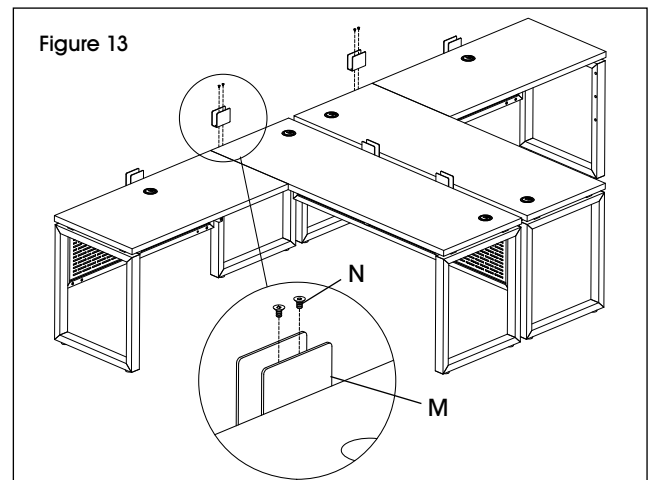
14. Pour relier le dessus de bureau à celui du retour de bureau, alignez le support plat (I) sur les trous se trouvant sous chaque dessus de bureau. Insérez huit boulons M6 x 15 mm (F), puis serrez. Répétez l'opération avec les autres supports plats. (Voir Figure 12)



13. À deux, déposez délicatement le dessus du retour de bureau par-dessus le cadre assemblé. Insérez deux boulons M6 x 55 mm (D) à travers le cadre de pied du retour jusque dans les connecteurs de cadre de pied (A), puis serrez. Insérez un boulon M6 x 15 mm (F) à travers le connecteur de panneau cache-jambes avec support (O) du retour jusque dans la partie arrière du dessus du retour de bureau, puis serrez. Répétez l'opération pour l'autre dessus de retour de bureau. (Voir Figure 11)

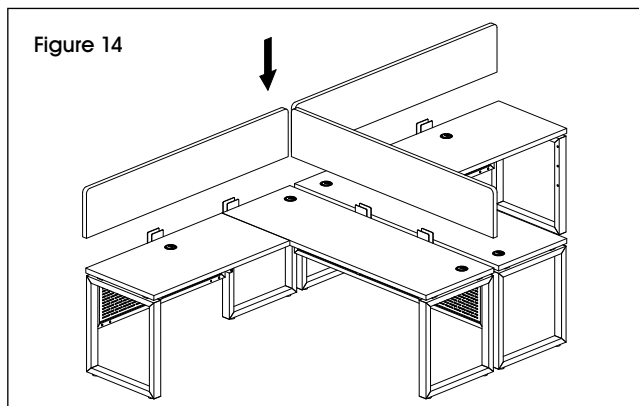


15. Installez deux supports en U (M) dans les connecteurs de cadre de pied simple avec support avec des boulons M6 x 10 mm (N). (Voir Figure 13)

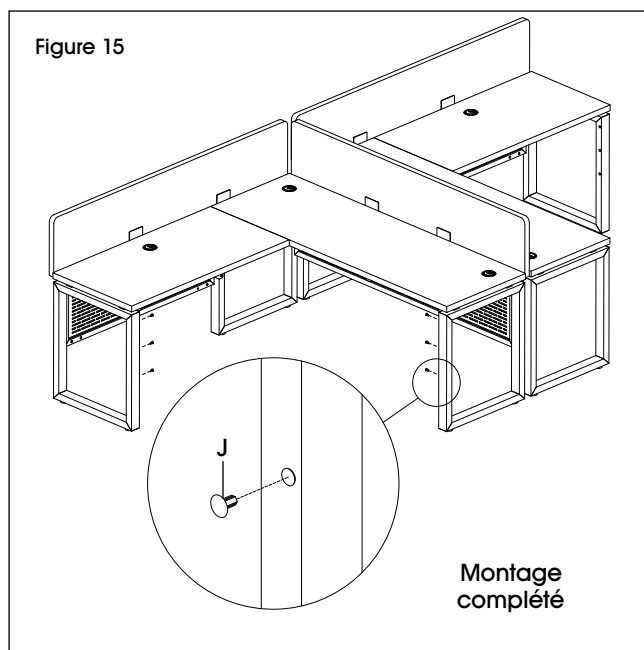


INSTRUCTIONS DU POSTE DE TRAVAIL EN L SUITE

16. Insérez les panneaux de 72 po le long des dessus de bureau et des retours. (Voir Figure 14)

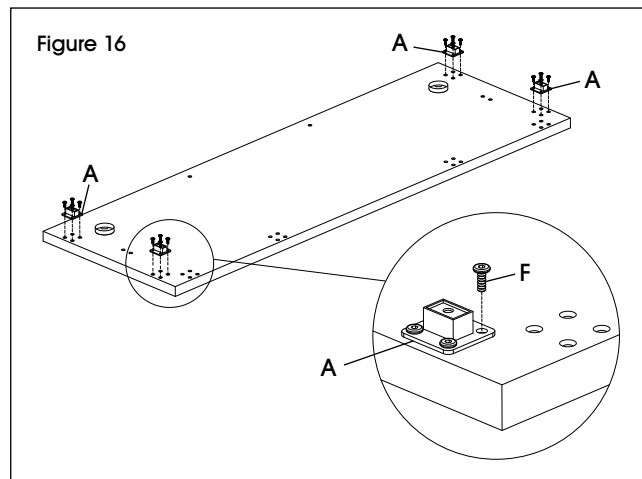


17. Insérez les passe-fils (G) et les capuchons de pied (J). (Voir Figure 15)

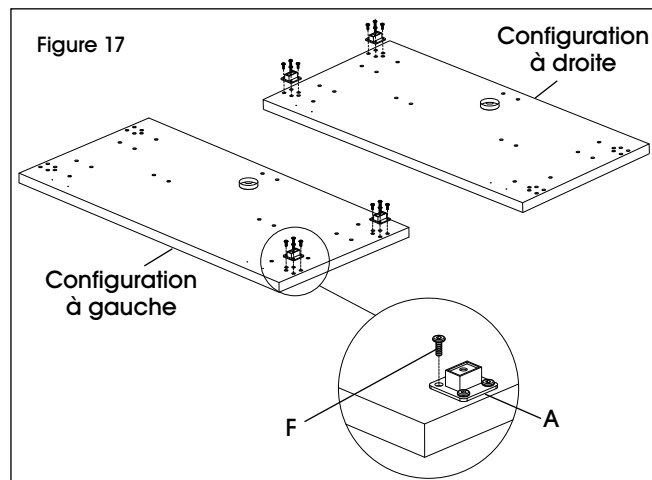


MONTAGE DU BUREAU EN L POUR 4 PERSONNES

18. Répétez les étapes 1 à 10 du Montage du bureau en L pour 2 personnes, puis passez à l'étape 20.
19. À deux, posez le dessus de bureau à l'envers. Alignez les connecteurs de cadre de pied (A) sur les trous situés aux coins du dessus de bureau. Insérez quatre boulons M6 x 15 mm (F), puis serrez-les. Répétez l'opération pour l'autre dessus de bureau. (Voir Figure 16)

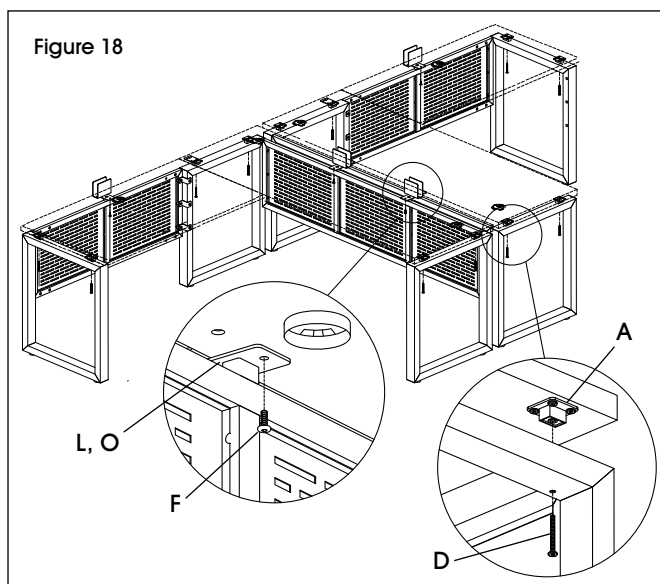


20. Placez le dessus du retour de bureau à l'envers. Alignez le connecteur de cadre de pied (A) sur les trous situés aux coins du dessus du retour de bureau. Insérez quatre boulons M6 x 15 mm (F), puis serrez-les. Répétez l'opération pour l'autre dessus de bureau. (Voir Figure 17)

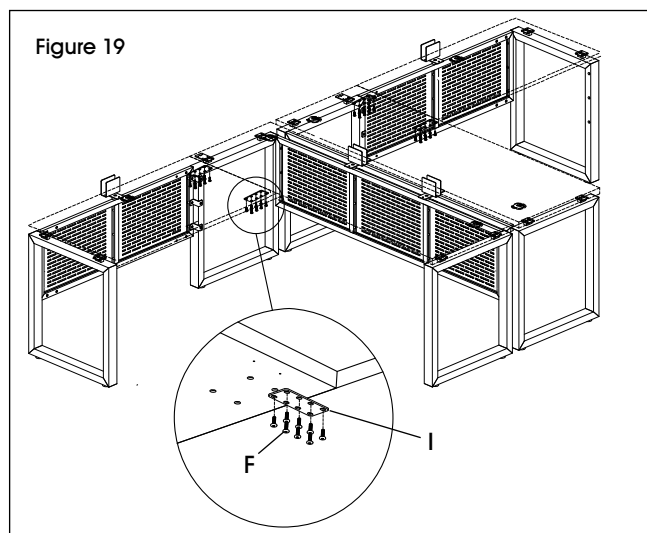


INSTRUCTIONS DU POSTE DE TRAVAIL EN L SUITE

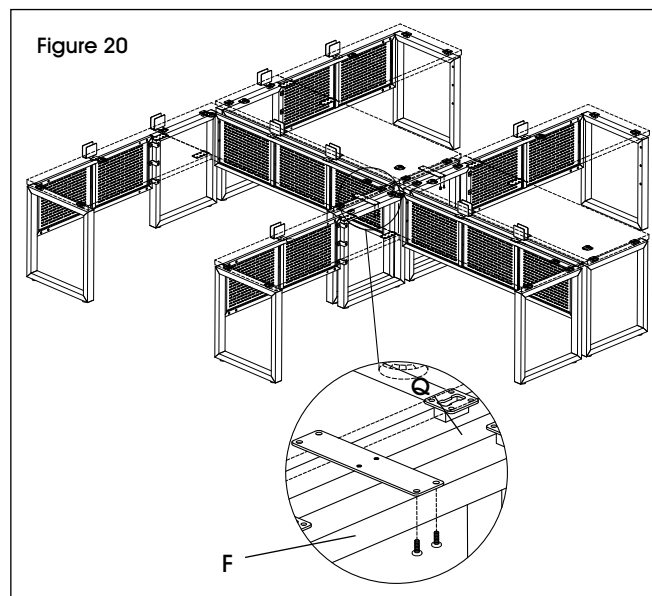
21. À deux, déposez délicatement le dessus de bureau et le dessus du retour de bureau par-dessus le cadre assemblé. Reliez les cadres de pied et les cadres de pied du retour aux dessus de bureau avec six boulons M6 x 55 mm (D). Répétez l'opération pour l'autre dessus de bureau et l'autre dessus de retour de bureau. (Voir Figure 18)
22. Reliez le panneau cache-jambes et le panneau cache-jambes du retour au dessus de bureau en insérant des boulons M6 x 15 mm (F) à travers les connecteurs de panneau cache-jambes (L, O). (Voir Figure 18)



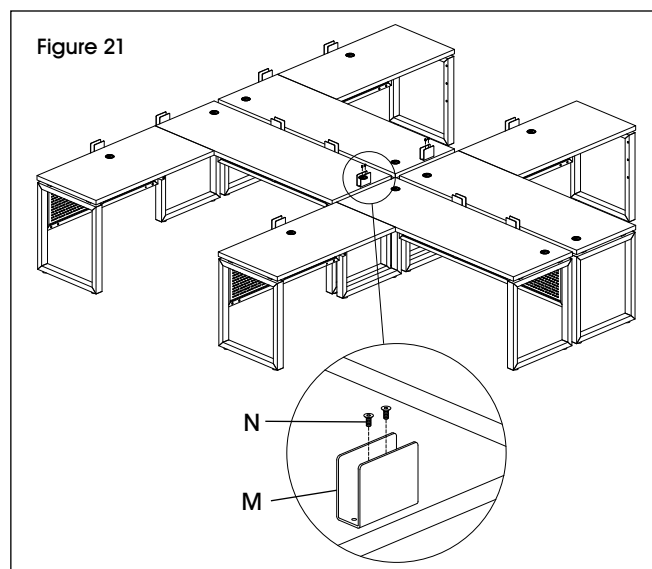
23. Pour relier le dessus de bureau à celui du retour de bureau, alignez le support plat (I) sur les trous se trouvant sous chaque dessus de bureau. Insérez huit boulons M6 x 15 mm (F), puis serrez. Répétez l'opération avec les autres supports plats. (Voir Figure 19)



24. Placez les postes de travail avec bureau en L pour 2 personnes assemblés côte à côte. Insérez deux supports de connecteur plats (Q) entre les cadres de pied et les dessus de bureau. Alignez les supports de connecteur plats sur les trous se trouvant sous le dessus de bureau et fixez le tout avec huit boulons M6 x 15 mm (F). (Voir Figure 20)

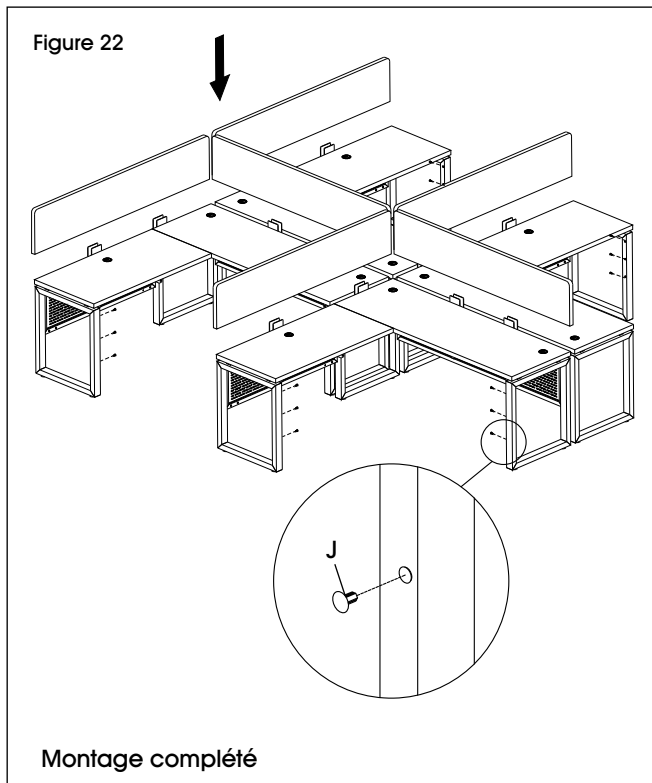


25. Fixez les supports en U (M) sur les connecteurs plats avec quatre boulons M6 x 10 mm (N). (Voir Figure 21)



INSTRUCTIONS DU POSTE DE TRAVAIL EN L SUITE

26. Installez les panneaux en tissu de 72 po le long de chaque dessus de bureau et retour. Insérez les capuchons de pied (J). (Voir Figure 22)



ULINE

1 800 295-5510
uline.ca