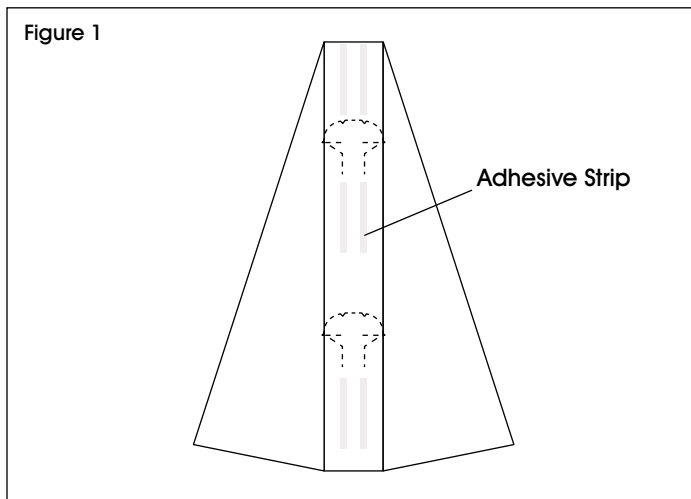
**INSTRUCTIONS**

1. Unfold easel back with adhesive strips face up.  
(See Figure 1)



2. Fold each side flap backward at the seam.  
(See Figures 2-3)

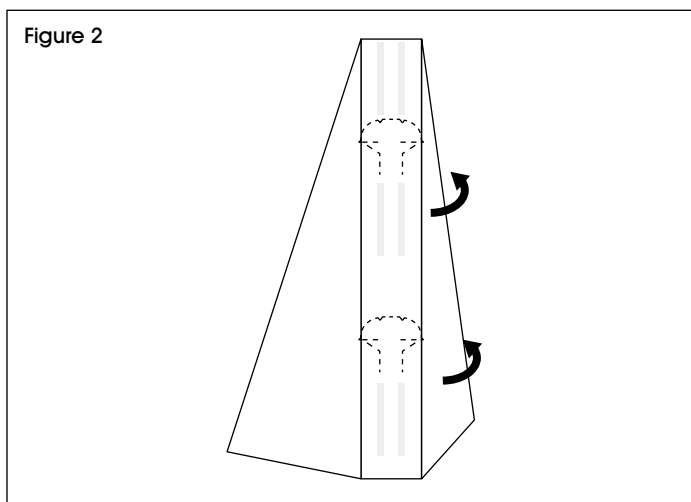
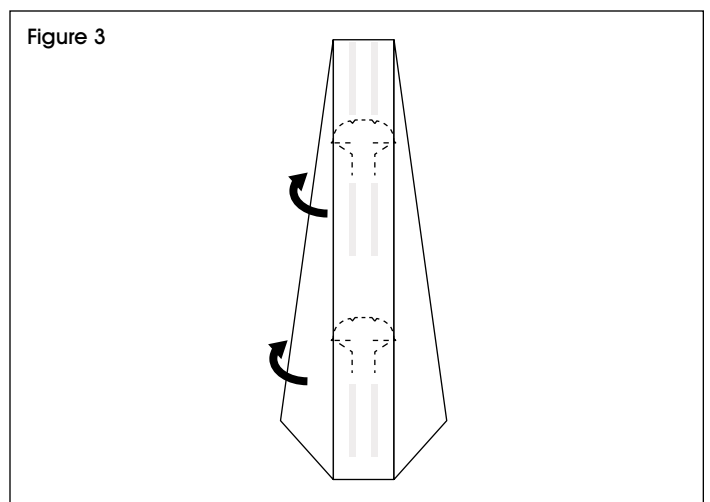
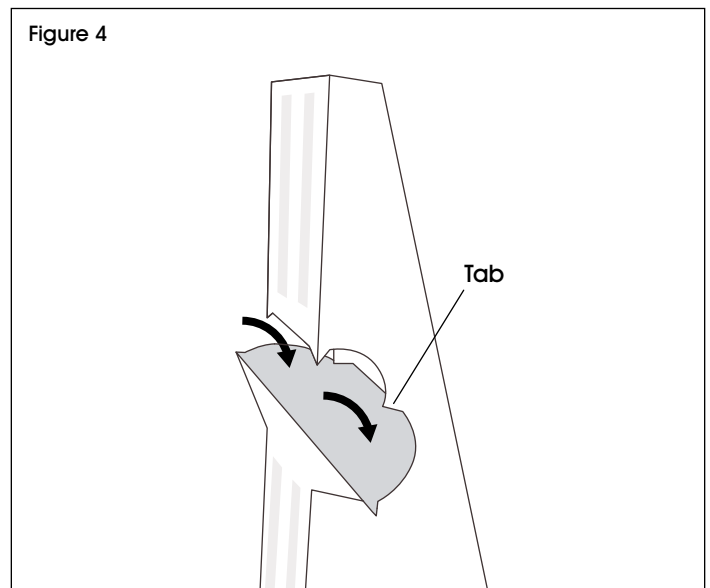


Figure 3



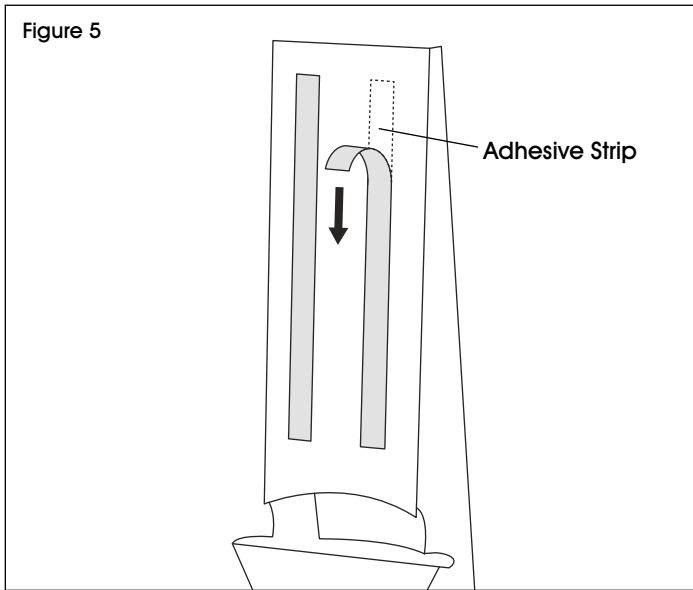
3. Fold tops of inserts down and lock into tab on each side.  
(See Figure 4)

Figure 4

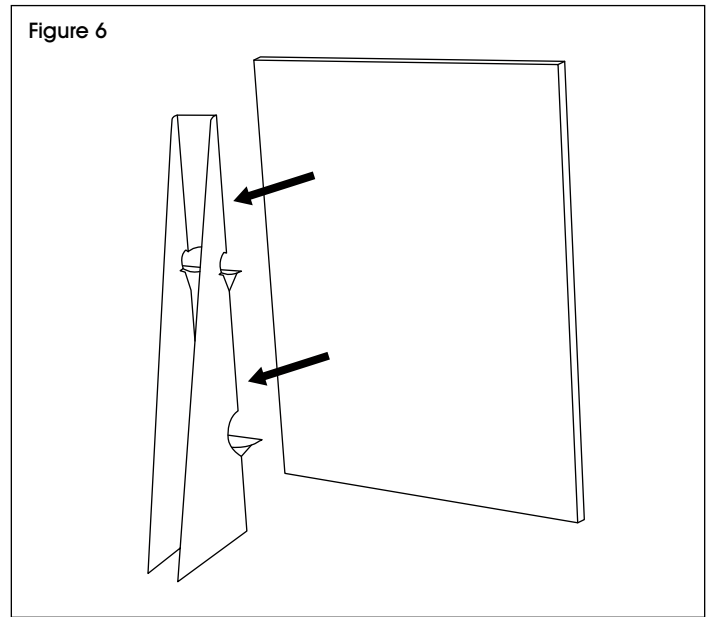


# INSTRUCTIONS CONTINUED

4. Peel backing from adhesive strips on easel.  
(See Figure 5)



5. Attach media to adhesive strips. (See Figure 6)



**ULINE**

1-800-295-5510  
uline.com