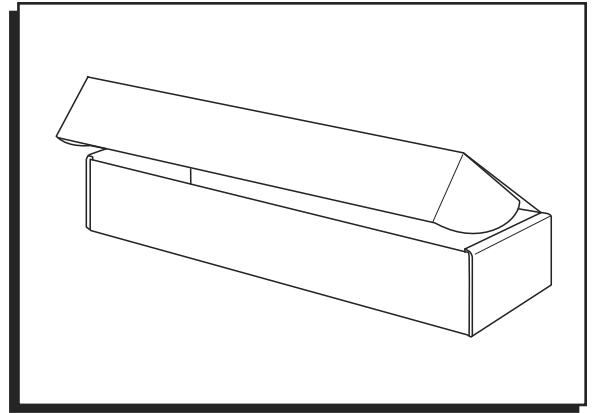


ULINE S-2424

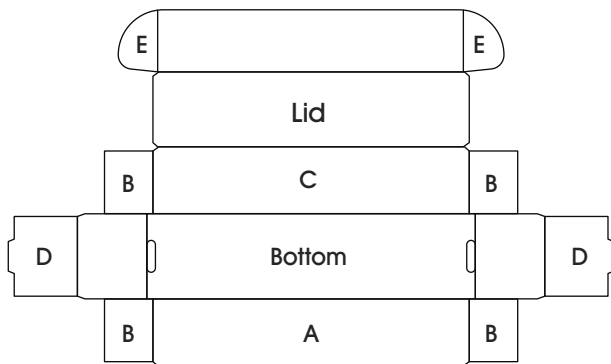
**14 x 3³/₄" x 2³/₄" WHITE
LITERATURE MAILER**

1-800-295-5510
uline.com



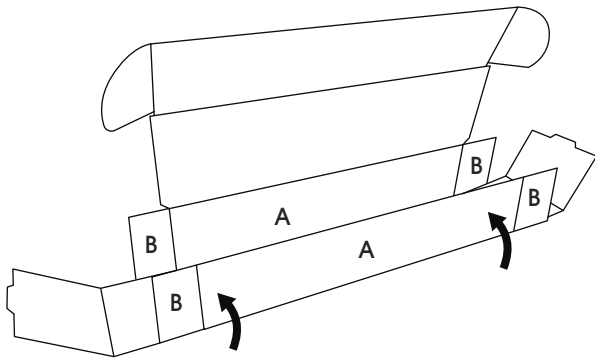
ASSEMBLY

Layout Diagram



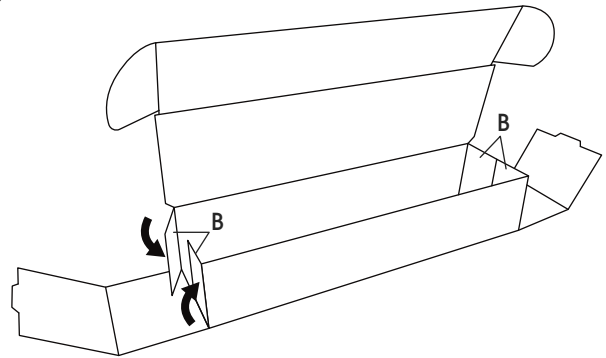
1. Fold A and C panels straight up, perpendicular to the bottom. (See Figure 1)

Figure 1



2. Fold B flaps inward. (See Figure 2)

Figure 2



ASSEMBLY CONTINUED

3. To form sides of box, fold D flaps up and over B flaps, tucking into slots at the bottom. (See Figures 3-4)

Figure 3

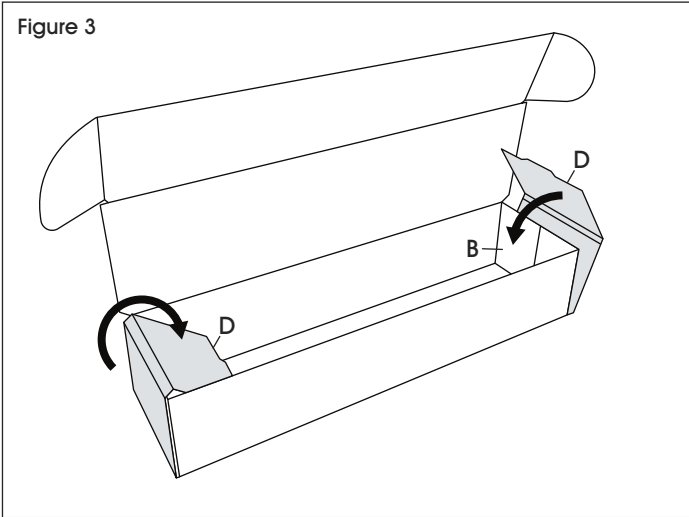
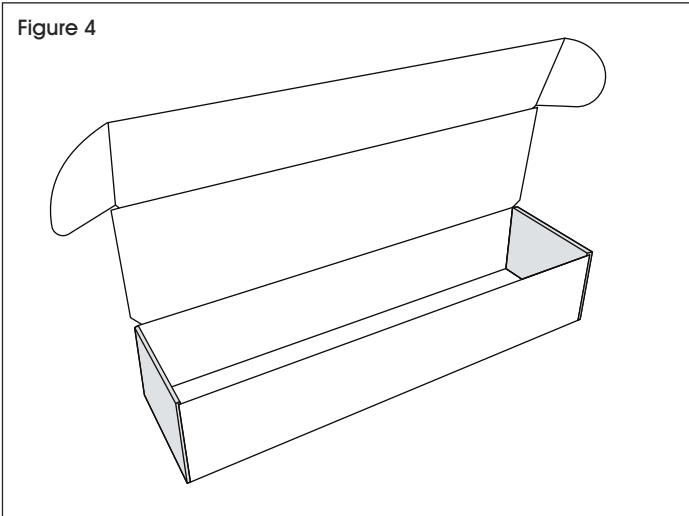
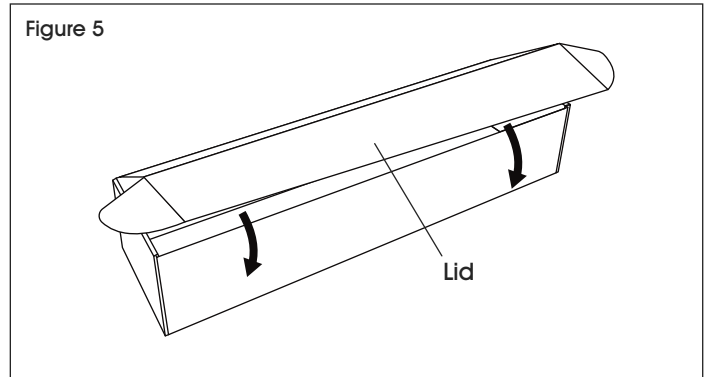


Figure 4



4. Fold down lid. (See Figures 5)

Figure 5



5. Fold E flaps inward and slide into slots in the front of the mailer to secure. (See Figure 6)

Figure 6

