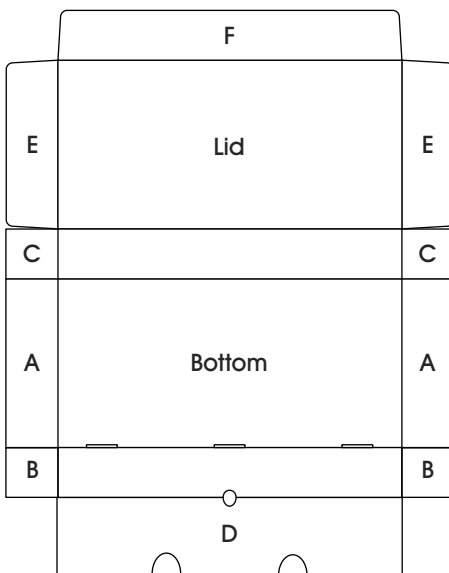


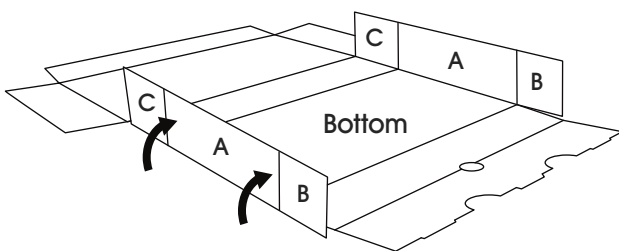
ASSEMBLY

Layout Diagram



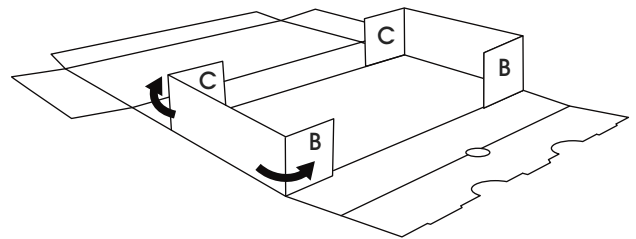
1. Fold A, B and C panels straight up, perpendicular to the bottom panel. (See Figure 1)

Figure 1



2. Fold B and C flaps inward. (See Figure 2)

Figure 2



3. To form side of box, fold D flap up and over B flaps, tucking into slots at the bottom. (See Figures 3-4)

Figure 3

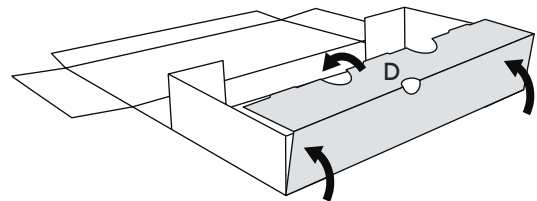
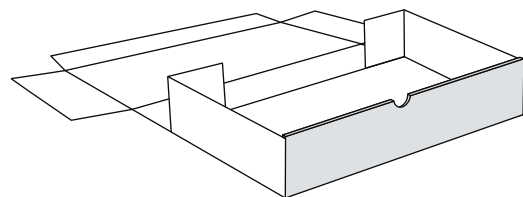
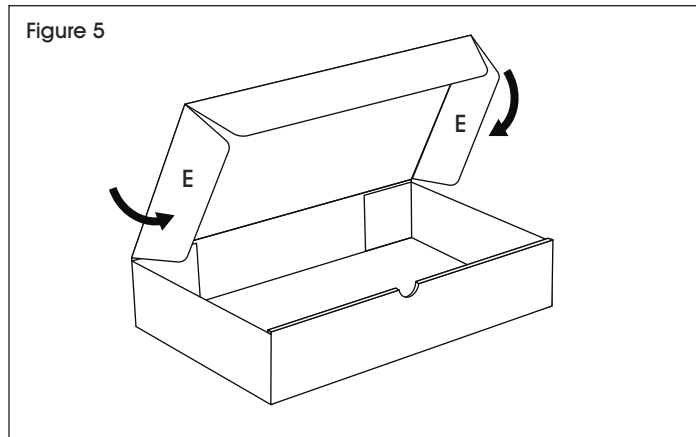


Figure 4

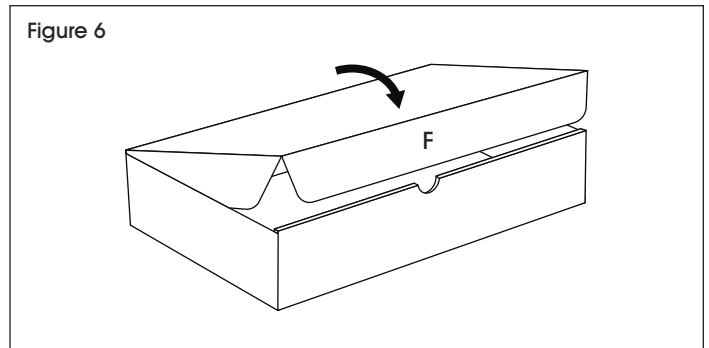


ASSEMBLY CONTINUED

4. Fold E flaps inward so they slide inside mailer when closing. (See Figure 5)



5. Fold down lid and tuck F flap into mailer to close. (See Figure 6)



ULINE

1-800-295-5510
uline.com