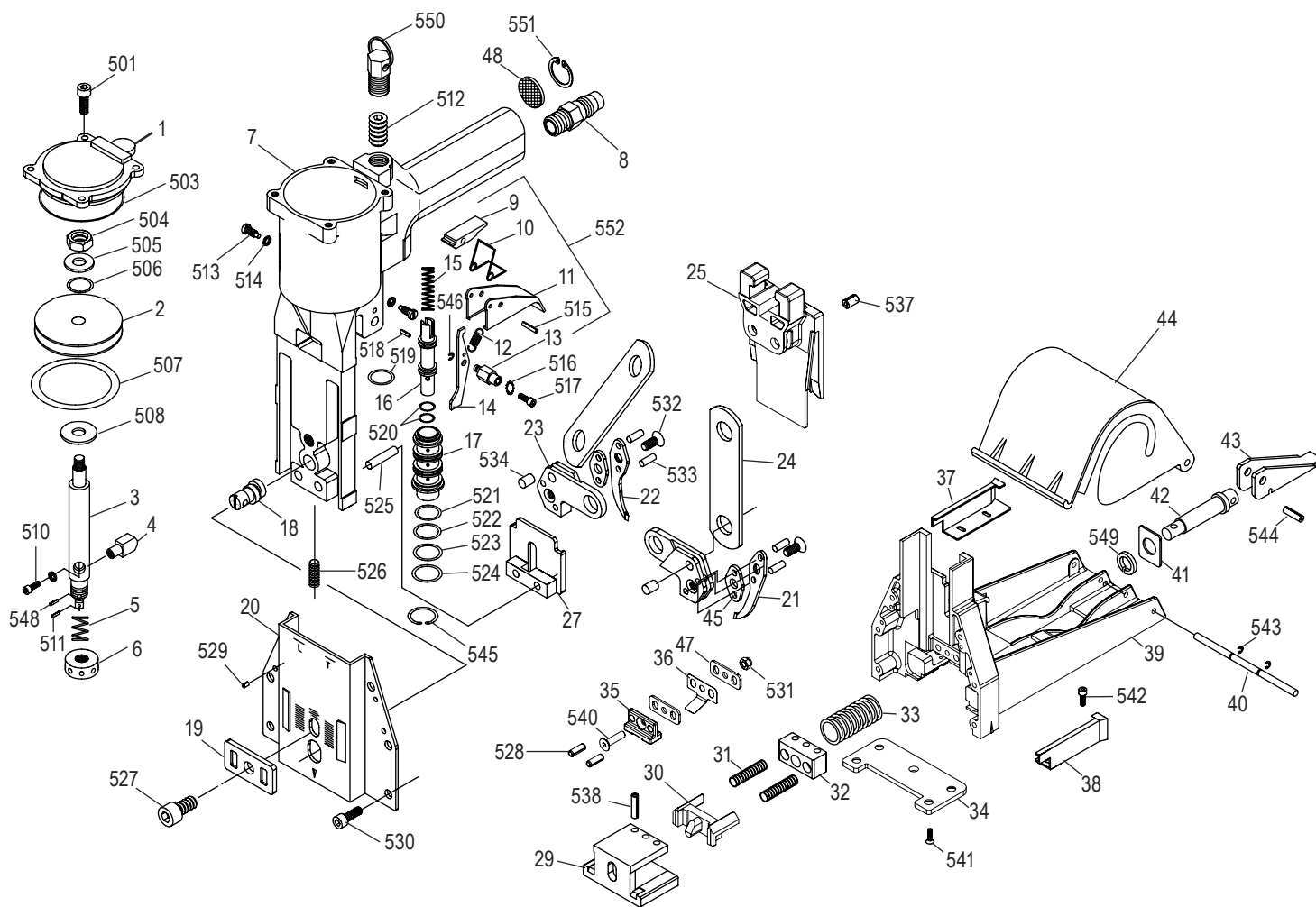
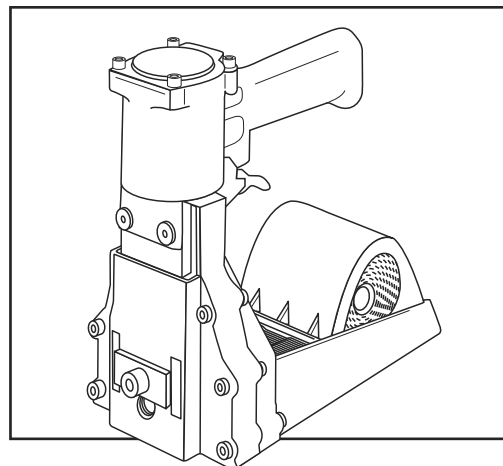


ULINE H-1030, H-1031 PNEUMATIC ROLL STAPLERS

1-800-295-5510
uline.com



ULINE H-1030, H-1031
PNEUMATIC ROLL STAPLERS

1-800-295-5510
 uline.com

| # | DESCRIPTION | Qty. | ULINE PART NO. | MFG. PART NO. |
|----|-------------------|------|----------------|---------------|
| 1 | Cap | 1 | ----- | A01200110 |
| 2 | Piston | 1 | H-1030-002 | A02800201 |
| 3 | Piston Rod | 1 | H-1030-003 | A02800301 |
| 4 | Block | 1 | H-1027-BLOCK | A00100401 |
| 5 | Spring | 1 | H-3530-5 | A00100501 |
| 6 | Collar | 1 | ----- | A00100601 |
| 7 | Body Unit | 1 | H-1030-007 | ADCS-P31 |
| 8 | Air Plug | 1 | H-1027-008 | A00100802 |
| 9 | Block | 1 | H-1030-009 | A00100902 |
| 10 | Spring | 1 | H-1030-010 | A00101001 |
| 11 | Trigger | 1 | H-1030-011 | A00101101 |
| 12 | Spring | 1 | H-1030-012 | A00101201 |
| 13 | Rod | 1 | H-1030-013 | A00101301 |
| 14 | Trigger's Control | 1 | H-1030-014 | A00101402 |
| 15 | Spring | 1 | H-1030-015 | A00101501 |
| 16 | Valve | 1 | H-1027-1601 | A00101601 |
| 17 | Tube | 1 | H-1027-0702 | A00101702 |
| 18 | Adjusting Rod | 1 | H-1030-018 | A00101801 |
| 19 | Adjusting Plate | 1 | H-1027-019 | A00101901 |
| 20 | Front Plate | 1 | H-1030-FP | A01102501 |
| 21 | Right Teeth | 1 | H-1024-015 | A00102102 |
| 22 | Left Teeth | 1 | H-1024-016 | A00102202 |
| 23 | Teeth Seat | 2 | H-1027-023 | A00102301 |
| 24 | Plate | 2 | H-1031-024 | A00102401 |
| 25 | Driver | 1 | H-1030-025 | A02301002 |
| 27 | Driver Guide Unit | 1 | H-1030-027 | A02300102 |
| 29 | Anvil | 1 | H-1030-029 | A02300404 |
| 30 | Pusher | 1 | H-1030-030 | A02300502 |
| 31 | Spring | 2 | H-1030-031 | A02201101 |
| 32 | Anvil Cap | 1 | H-3530-32 | A02200501 |
| 33 | Spring | 1 | H-3530-33 | A02201201 |
| 34 | Plate | 1 | H-3530-34 | A02200901 |
| 35 | Top Guide | 1 | H-1030-035 | A02202901 |
| 36 | Leaf Spring | 1 | H-1030-036 | A02201803 |
| 37 | Right Coil Guide | 1 | ----- | A02300603 |
| 38 | Left Coil Guide | 1 | ----- | A02300703 |
| 39 | Magazine Seat | 1 | H-1030-039 | A02200110 |
| 40 | Shaft | 1 | H-1030-40 | A02201301 |

ULINE H-1030, H-1031
PNEUMATIC ROLL STAPLERS

1-800-295-5510
 uline.com

| # | DESCRIPTION | Qty. | ULINE PART NO. | MFG. PART NO. |
|-----|--------------------------------|------|----------------|---------------|
| 41 | Washer | 1 | ----- | A02201908 |
| 42 | Shaft | 1 | H-3530-42 | A02200801 |
| 43 | Lever | 1 | H-3530-43 | A02201001 |
| 44 | Cover | 1 | H-1030-COVER | A02201402 |
| 45 | Plate | 2 | H-1030-PLATE | A02300801 |
| 47 | Washer | 2 | H-1030-47 | A02202402 |
| 48 | Silencer | 1 | H-1030-051 | BAI1401 |
| 501 | Hexagonal Socket Head Bolt | 4 | H-1027-50135 | BAC0604142 |
| 503 | O-Ring | 1 | H-3530-503 | BAB017537 |
| 504 | Hexagonal Nut | 1 | ----- | BAD02061 |
| 505 | Washer | 1 | H-1030-505 | BAE06094 |
| 506 | O-Ring | 1 | H-1027-520 | BAB017076 |
| 507 | O-Ring | 1 | H-1030-507 | BAB057476 |
| 508 | Washer | 1 | H-1030-508 | A00104101 |
| 510 | Hexagonal Socket Head Bolt | 1 | H-1027-HDBLT | BAC0604102 |
| 511 | Spring Pin | 1 | ----- | BAA025014 |
| 512 | Hexagonal Socket Headless Bolt | 1 | H-1030-512 | BAC0312122 |
| 513 | Trigger Screw | 1 | H-1027-TRIG | A00104401 |
| 514 | Spring Washer | 1 | H-1027-SPWSH | BAE01042 |
| 515 | Spring Pin | 1 | H-1030-515 | BAA030020 |
| 516 | Outside Teeth Washer | 1 | H-1028-516 | BAE02042 |
| 517 | Hexagonal Socket Head Bolt | 1 | H-1028-517 | BAC0404102 |
| 518 | Spring Pin | 1 | H-1028SPRGPN | BAA030010 |
| 519 | O-Ring | 1 | H-1027-519 | BAB017124 |
| 520 | O-Ring | 1 | H-1027-520 | BAB017076 |
| 521 | O-Ring | 1 | H-1030-521 | BAB016145 |
| 522 | O-Ring | 1 | H-1030-522 | BAB016150 |
| 523 | O-Ring | 1 | H-1027-523 | BAB016155 |
| 524 | O-Ring | 1 | H-1027-524 | BAB016160 |
| 525 | Rod | 1 | H-1030-525 | A00104702 |
| 526 | Hexagonal Socket Headless Bolt | 1 | ----- | BAC0306142 |
| 527 | Hexagonal Socket Head Bolt | 1 | H-1027-527 | BAC0608162 |
| 528 | Spring Pin | 2 | H-3530-528 | BAA050014 |
| 529 | Spring Pin | 4 | H-1028SPRGPN | BAA030010 |
| 530 | Hexagonal Socket Head Bolt | 6 | H-3068-05142 | BAC0605142 |
| 531 | Lock Nut | 1 | H-1030-531 | BAD01051 |
| 532 | Hexagonal Socket Flat Counter | 2 | H-1030-510 | A00106201 |

ULINE H-1030, H-1031
PNEUMATIC ROLL STAPLERS

1-800-295-5510
 uline.com

| # | DESCRIPTION | Qty. | ULINE PART NO. | MFG. PART NO. |
|-----|--|------|----------------|----------------|
| 533 | Pin | 4 | H-1030-533 | A00104501 |
| 534 | Pin | 2 | H-1027-PIN | A00104602 |
| 537 | Spring Pin | 2 | H-1030-537 | BAA060016-R |
| 538 | Spring Pin | 3 | H-3530-538 | BAA040022 |
| 540 | Hexagonal Socket Head Bolt | 1 | H-1030-540 | BAC0205202 |
| 541 | Hexagonal Socket Flat Counter | 4 | H-3530-541 | BAC0205082 |
| 542 | Round Head Screw | 1 | H-1030-542 | BAC0703063 |
| 543 | E-Ring | 1 | H-1030-543 | BAF10252 |
| 544 | Spring Pin | 1 | H-3530-544 | BAA040020 |
| 545 | C-Ring | 1 | H-1028-CRING | BAF22002 |
| 546 | E-Ring | 1 | H-1030-543 | BAF10252 |
| 548 | Plastic Pin | 1 | ----- | A00104901 |
| 549 | Wave Washer | 1 | H-3530-549 | BAE03102 |
| 550 | Counter Balance Hanger | 1 | H-1030-BALAN | C0011201A |
| 551 | C-Ring | 1 | H-1028-CRING | BAF22002 |
| 552 | Trigger Assembly (9, 10, 11, 515) | 1 | H-1030-TASM | ADCS-19-P16-03 |
| | Magazine Assembly for H-1030 (Not Shown) | 1 | H-1030-550 | RA1A19RRP743 |
| | Wave Washer (Not Shown) | 1 | H-1030-552 | ----- |
| | Set of Clinchers (Not Shown) | 1 | H-1031-SET | RAT-19-P14 |
| | Magazine Assembly for H-1031 (Not Shown) | 1 | H-1031-550 | RA119RRP743N |

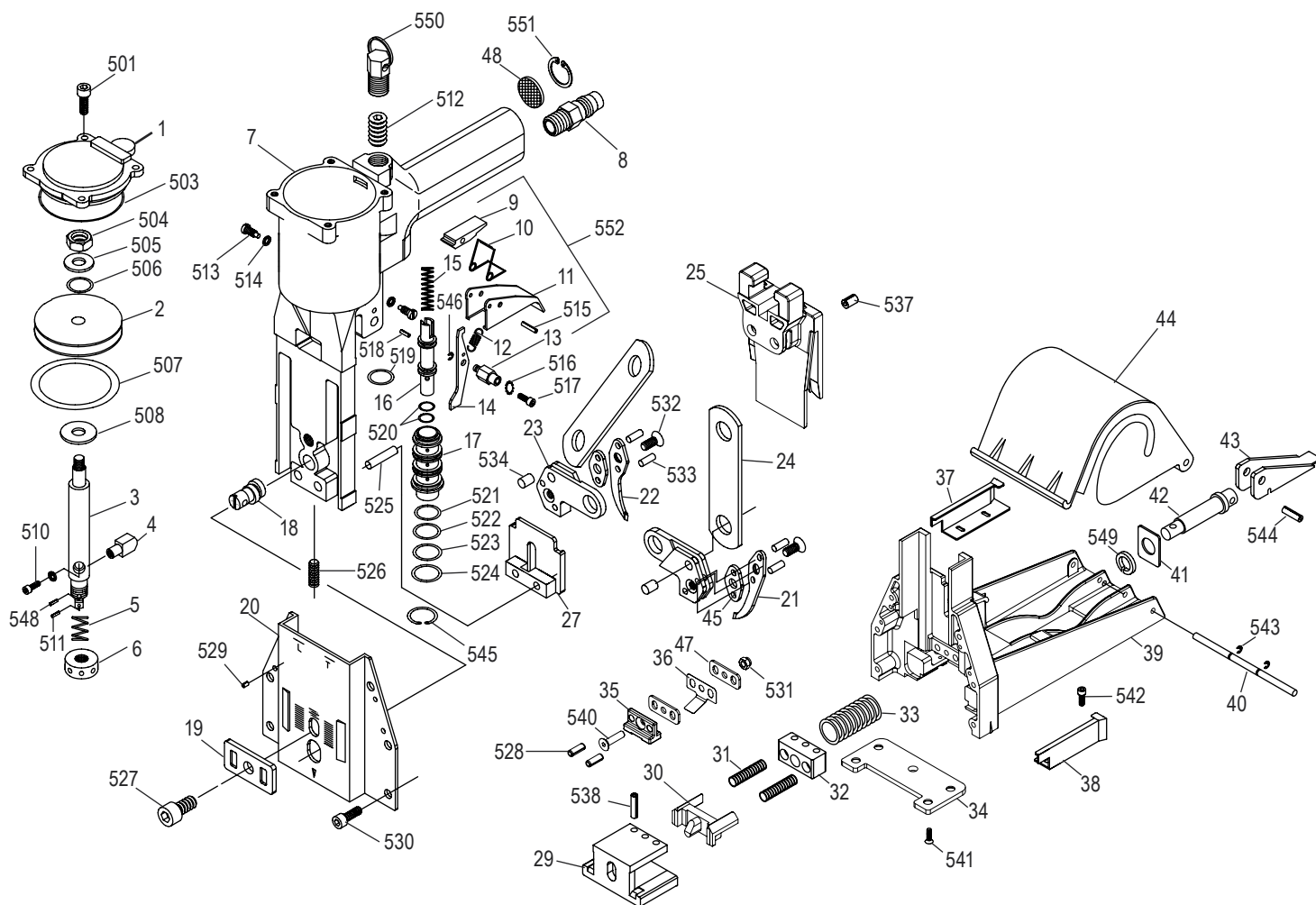
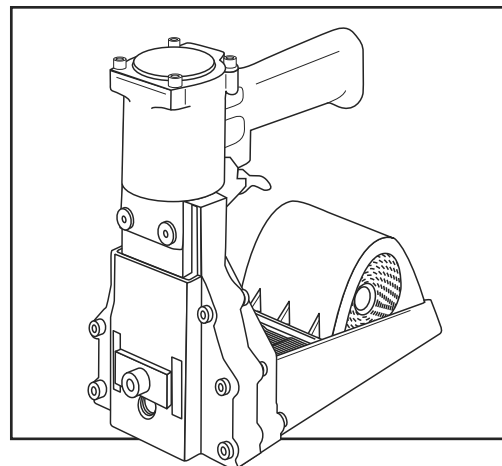
ULINE H-1030, H-1031

ENGRAPADORAS

NEUMÁTICAS DE ROLLO

800-295-5510

uline.mx



ULINE H-1030, H-1031
ENGRAPADORAS
NEUMÁTICAS DE ROLLO

800-295-5510
 uline.mx

| # | DESCRIPCIÓN | CANT. | NO. DE PARTE DE ULINE | NO. DE PARTE DEL FABRICANTE |
|----|------------------------------|-------|-----------------------|-----------------------------|
| 1 | Tapa | 1 | ----- | A01200110 |
| 2 | Pistón | 1 | H-1030-002 | A02800201 |
| 3 | Barra de Pistón | 1 | H-1030-003 | A02800301 |
| 4 | Bloque | 1 | H-1027-BLOCK | A00100401 |
| 5 | Resorte | 1 | H-3530-5 | A00100501 |
| 6 | Collarín | 1 | ----- | A00100601 |
| 7 | Unidad del Cuerpo | 1 | H-1030-007 | ADCS-P31 |
| 8 | Tapón de Aire | 1 | H-1027-008 | A00100802 |
| 9 | Bloque | 1 | H-1030-009 | A00100902 |
| 10 | Resorte | 1 | H-1030-010 | A00101001 |
| 11 | Gatillo | 1 | H-1030-011 | A00101101 |
| 12 | Resorte | 1 | H-1030-012 | A00101201 |
| 13 | Barra | 1 | H-1030-013 | A00101301 |
| 14 | Control del Gatillo | 1 | H-1030-014 | A00101402 |
| 15 | Resorte | 1 | H-1030-015 | A00101501 |
| 16 | Válvula | 1 | H-1027-1601 | A00101601 |
| 17 | Tubo | 1 | H-1027-0702 | A00101702 |
| 18 | Barra de Ajuste | 1 | H-1030-018 | A00101801 |
| 19 | Placa de Ajuste | 1 | H-1027-019 | A00101901 |
| 20 | Placa Frontal | 1 | H-1030-FP | A01102501 |
| 21 | Dientes Derechos | 1 | H-1024-015 | A00102102 |
| 22 | Dientes Izquierdos | 1 | H-1024-016 | A00102202 |
| 23 | Asiento para Dientes | 2 | H-1027-023 | A00102301 |
| 24 | Placa | 2 | H-1031-024 | A00102401 |
| 25 | Conductor | 1 | H-1030-025 | A02301002 |
| 27 | Unidad de Guía del Conductor | 1 | H-1030-027 | A02300102 |
| 29 | Yunque | 1 | H-1030-029 | A02300404 |
| 30 | Empujador | 1 | H-1030-030 | A02300502 |
| 31 | Resorte | 2 | H-1030-031 | A02201101 |
| 32 | Tapa de Yunque | 1 | H-3530-32 | A02200501 |
| 33 | Resorte | 1 | H-3530-33 | A02201201 |
| 34 | Placa | 1 | H-3530-34 | A02200901 |
| 35 | Guía Superior | 1 | H-1030-035 | A02202901 |
| 36 | Resorte de Ballesta | 1 | H-1030-036 | A02201803 |
| 37 | Guía de Bobina Derecha | 1 | ----- | A02300603 |
| 38 | Guía de Bobina Izquierda | 1 | ----- | A02300703 |
| 39 | Asiento del Cargador | 1 | H-1030-039 | A02200110 |
| 40 | Eje | 1 | H-1030-40 | A02201301 |

ULINE H-1030, H-1031
ENGRAPADORAS
NEUMÁTICAS DE ROLLO

800-295-5510
 uline.mx

| # | DESCRIPCIÓN | CANT. | NO. DE PARTE DE ULINE | NO. DE PARTE DEL FABRICANTE |
|-----|--|-------|-----------------------|-----------------------------|
| 41 | Rondana | 1 | ----- | A02201908 |
| 42 | Eje | 1 | H-3530-42 | A02200801 |
| 43 | Palanca | 1 | H-3530-43 | A02201001 |
| 44 | Cubierta | 1 | H-1030-COVER | A02201402 |
| 45 | Placa | 2 | H-1030-PLATE | A02300801 |
| 47 | Rondana | 2 | H-1030-47 | A02202402 |
| 48 | Silenciador | 1 | H-1030-051 | BAI1401 |
| 501 | Perno Ranurado con Cabeza Hexagonal | 4 | H-1027-50135 | BAC0604142 |
| 503 | Anillo-O | 1 | H-3530-503 | BAB017537 |
| 504 | Tuerca Hexagonal | 1 | ----- | BAD02061 |
| 505 | Rondana | 1 | H-1030-505 | BAE06094 |
| 506 | Anillo-O | 1 | H-1027-520 | BAB017076 |
| 507 | Anillo-O | 1 | H-1030-507 | BAB057476 |
| 508 | Rondana | 1 | H-1030-508 | A00104101 |
| 510 | Perno Ranurado con Cabeza Hexagonal | 1 | H-1027-HDBLT | BAC0604102 |
| 511 | Perno de Resorte | 1 | ----- | BAA025014 |
| 512 | Perno Ranurado Hexagonal sin Cabeza | 1 | H-1030-512 | BAC0312122 |
| 513 | Tornillo con Gatillo | 1 | H-1027-TRIG | A00104401 |
| 514 | Rondana con Resorte | 1 | H-1027-SPWSH | BAE01042 |
| 515 | Perno de Resorte | 1 | H-1030-515 | BAA030020 |
| 516 | Rondana con Dientes Exteriores | 1 | H-1028-516 | BAE02042 |
| 517 | Perno Ranurado con Cabeza Hexagonal | 1 | H-1028-517 | BAC0404102 |
| 518 | Perno de Resorte | 1 | H-1028SPRGPN | BAA030010 |
| 519 | Anillo-O | 1 | H-1027-519 | BAB017124 |
| 520 | Anillo-O | 1 | H-1027-520 | BAB017076 |
| 521 | Anillo-O | 1 | H-1030-521 | BAB016145 |
| 522 | Anillo-O | 1 | H-1030-522 | BAB016150 |
| 523 | Anillo-O | 1 | H-1027-523 | BAB016155 |
| 524 | Anillo-O | 1 | H-1027-524 | BAB016160 |
| 525 | Barra | 1 | H-1030-525 | A00104702 |
| 526 | Perno Ranurado Hexagonal sin Cabeza | 1 | ----- | BAC0306142 |
| 527 | Perno Ranurado con Cabeza Hexagonal | 1 | H-1027-527 | BAC0608162 |
| 528 | Perno de Resorte | 2 | H-3530-528 | BAA050014 |
| 529 | Perno de Resorte | 4 | H-1028SPRGPN | BAA030010 |
| 530 | Perno Ranurado con Cabeza Hexagonal | 6 | H-3068-05142 | BAC0605142 |
| 531 | Contratuerca | 1 | H-1030-531 | BAD01051 |
| 532 | Perno Avellanado de Cabeza Plana con Hueco Hexagonal | 2 | H-1030-510 | A00106201 |

ULINE H-1030, H-1031
ENGRAPADORAS
NEUMÁTICAS DE ROLLO

800-295-5510
 uline.mx

| # | DESCRIPCIÓN | CANT. | NO. DE PARTE DE ULINE | NO. DE PARTE DEL FABRICANTE |
|-----|--|-------|-----------------------|-----------------------------|
| 533 | Perno | 4 | H-1030-533 | A00104501 |
| 534 | Perno | 2 | H-1027-PIN | A00104602 |
| 537 | Perno de Resorte | 2 | H-1030-537 | BAA060016-R |
| 538 | Perno de Resorte | 3 | H-3530-538 | BAA040022 |
| 540 | Perno Ranurado con Cabeza Hexagonal | 1 | H-1030-540 | BAC0205202 |
| 541 | Perno Avellanado de Cabeza Plana con Hueco Hexagonal | 4 | H-3530-541 | BAC0205082 |
| 542 | Tornillo con Cabeza Redondeada | 1 | H-1031-542 | BAC0703063 |
| 543 | Anillo-E | 1 | H-1030-543 | BAF10252 |
| 544 | Perno de Resorte | 1 | H-3530-544 | BAA040020 |
| 545 | Anillo-C | 1 | H-1028-CRING | BAF22002 |
| 546 | Anillo-E | 1 | H-1030-543 | BAF10252 |
| 548 | Perno de Plástico | 1 | ----- | A00104901 |
| 549 | Rondana Ondulada | 1 | H-3530-549 | BAE03102 |
| 550 | Gancho de Contrabalance | 1 | H-1030-BALAN | C0011201A |
| 551 | Anillo-C | 1 | H-1028-CRING | BAF22002 |
| 552 | Ensamble del Gatillo (9, 10, 11, 515) | 1 | H-1030-TASM | ADCS-19-P16-03 |
| | Ensamble del Cargador para H-1030 (No Se Muestra) | 1 | H-1030-550 | RA1A19RRP743 |
| | Rondana Ondulada (No Se Muestra) | 1 | H-1030-552 | ----- |
| | Set de Remachadores (No Se Muestra) | 1 | H-1031-SET | RAT-19-P14 |
| | Ensamble del Cargador para H-1031 (No Se Muestra) | 1 | H-1031-550 | RA119RRP743N |

ULINE H-1030, H-1031
AGRAFEUSES PNEUMATIQUE
À AGRAFES EN ROULEAU

1-800-295-5510
 uline.ca

| # | DESCRIPTION | QTÉ | RÉF. ULINE | RÉF. DU FABRICANT |
|----|--------------------------|-----|--------------|-------------------|
| 1 | Couvercle | 1 | ----- | A01200110 |
| 2 | Piston | 1 | H-1030-002 | A02800201 |
| 3 | Tige de piston | 1 | H-1030-003 | A02800301 |
| 4 | Bloc | 1 | H-1027-BLOCK | A00100401 |
| 5 | Ressort | 1 | H-3530-5 | A00100501 |
| 6 | Collet | 1 | ----- | A00100601 |
| 7 | Corps | 1 | H-1030-007 | ADCS-P31 |
| 8 | Raccord d'air comprimé | 1 | H-1027-008 | A00100802 |
| 9 | Bloc | 1 | H-1030-009 | A00100902 |
| 10 | Ressort | 1 | H-1030-010 | A00101001 |
| 11 | Détente | 1 | H-1030-011 | A00101101 |
| 12 | Ressort | 1 | H-1030-012 | A00101201 |
| 13 | Tige | 1 | H-1030-013 | A00101301 |
| 14 | Commande de détente | 1 | H-1030-014 | A00101402 |
| 15 | Ressort | 1 | H-1030-015 | A00101501 |
| 16 | Soupape | 1 | H-1027-1601 | A00101601 |
| 17 | Tube | 1 | H-1027-0702 | A00101702 |
| 18 | Tige de réglage | 1 | H-1030-018 | A00101801 |
| 19 | Plaque de réglage | 1 | H-1027-019 | A00101901 |
| 20 | Plaque avant | 1 | H-1030-FP | A01102501 |
| 21 | Dent droite | 1 | H-1024-015 | A00102102 |
| 22 | Dent gauche | 1 | H-1024-016 | A00102202 |
| 23 | Assise de dents | 2 | H-1027-023 | A00102301 |
| 24 | Plaque | 2 | H-1031-024 | A00102401 |
| 25 | Lame de poussée | 1 | H-1030-025 | A02301002 |
| 27 | Guide de lame de poussée | 1 | H-1030-027 | A02300102 |
| 29 | Enclume | 1 | H-1030-029 | A02300404 |
| 30 | Pousseur | 1 | H-1030-030 | A02300502 |
| 31 | Ressort | 2 | H-1030-031 | A02201101 |
| 32 | Coiffe d'enclume | 1 | H-3530-32 | A02200501 |
| 33 | Ressort | 1 | H-3530-33 | A02201201 |
| 34 | Plaque | 1 | H-3530-34 | A02200901 |
| 35 | Guide supérieur | 1 | H-1030-035 | A02202901 |
| 36 | Ressort plat | 1 | H-1030-036 | A02201803 |
| 37 | Guide droit de rouleau | 1 | ----- | A02300603 |
| 38 | Guide gauche de rouleau | 1 | ----- | A02300703 |
| 39 | Assise de magasin | 1 | H-1030-039 | A02200110 |
| 40 | Arbre | 1 | H-1030-40 | A02201301 |

ULINE H-1030, H-1031
AGRAFEUSES PNEUMATIQUE
À AGRAFES EN ROULEAU

1-800-295-5510
 uline.ca

| # | DESCRIPTION | QTÉ | RÉF. ULINE | RÉF. DU FABRICANT |
|-----|---|-----|--------------|-------------------|
| 41 | Rondelle | 1 | ----- | A02201908 |
| 42 | Arbre | 1 | H-3530-42 | A02200801 |
| 43 | Levier | 1 | H-3530-43 | A02201001 |
| 44 | Couvercle | 1 | H-1030-COVER | A02201402 |
| 45 | Plaque | 2 | H-1030-PLATE | A02300801 |
| 47 | Rondelle | 2 | H-1030-47 | A02202402 |
| 48 | Rondelle insonorisante | 1 | H-1030-051 | BAI1401 |
| 501 | Boulon à tête à six pans creux | 4 | H-1027-50135 | BAC0604142 |
| 503 | Joint torique | 1 | H-3530-503 | BAB017537 |
| 504 | Écrou hexagonal | 1 | ----- | BAD02061 |
| 505 | Rondelle | 1 | H-1030-505 | BAE06094 |
| 506 | Joint torique | 1 | H-1027-520 | BAB017076 |
| 507 | Joint torique | 1 | H-1030-507 | BAB057476 |
| 508 | Rondelle | 1 | H-1030-508 | A00104101 |
| 510 | Boulon à tête à six pans creux | 1 | H-1027-HDBLT | BAC0604102 |
| 511 | Cheville ressort | 1 | ----- | BAA025014 |
| 512 | Boulon sans tête à six pans creux | 1 | H-1030-512 | BAC0312122 |
| 513 | Vis de détente | 1 | H-1027-TRIG | A00104401 |
| 514 | Rondelle à ressort | 1 | H-1027-SPWSH | BAE01042 |
| 515 | Cheville ressort | 1 | H-1030-515 | BAA030020 |
| 516 | Rondelle à dents externes | 1 | H-1028-516 | BAE02042 |
| 517 | Boulon à tête à six pans creux | 1 | H-1028-517 | BAC0404102 |
| 518 | Cheville ressort | 1 | H-1028SPRGPN | BAA030010 |
| 519 | Joint torique | 1 | H-1027-519 | BAB017124 |
| 520 | Joint torique | 1 | H-1027-520 | BAB017076 |
| 521 | Joint torique | 1 | H-1030-521 | BAB016145 |
| 522 | Joint torique | 1 | H-1030-522 | BAB016150 |
| 523 | Joint torique | 1 | H-1027-523 | BAB016155 |
| 524 | Joint torique | 1 | H-1027-524 | BAB016160 |
| 525 | Tige | 1 | H-1030-525 | A00104702 |
| 526 | Boulon sans tête à six pans creux | 1 | ----- | BAC0306142 |
| 527 | Boulon à tête à six pans creux | 1 | H-1027-527 | BAC0608162 |
| 528 | Cheville ressort | 2 | H-3530-528 | BAA050014 |
| 529 | Cheville ressort | 4 | H-1028SPRGPN | BAA030010 |
| 530 | Boulon à tête à six pans creux | 6 | H-3068-05142 | BAC0605142 |
| 531 | Écrou freiné | 1 | H-1030-531 | BAD01051 |
| 532 | Vis à tête plate fraisée à six pans creux | 2 | H-1030-510 | A00106201 |

ULINE H-1030, H-1031
AGRAFEUSES PNEUMATIQUE
À AGRAFES EN ROULEAU

1-800-295-5510
 uline.ca

| # | DESCRIPTION | QTÉ | RÉF. ULINE | RÉF. DU FABRICANT |
|-----|---|-----|--------------|-------------------|
| 533 | Tige | 4 | H-1030-533 | A00104501 |
| 534 | Tige | 2 | H-1027-PIN | A00104602 |
| 537 | Cheville ressort | 2 | H-1030-537 | BAA060016-R |
| 538 | Cheville ressort | 3 | H-3530-538 | BAA040022 |
| 540 | Boulon à tête à six pans creux | 1 | H-1030-540 | BAC0205202 |
| 541 | Vis à tête plate fraisée à six pans creux | 4 | H-3530-541 | BAC0205082 |
| 542 | Vis à tête ronde | 1 | ----- | BAC0703063 |
| 543 | Anneau en E | 1 | H-1030-543 | BAF10252 |
| 544 | Cheville ressort | 1 | H-3530-544 | BAA040020 |
| 545 | Anneau en C | 1 | H-1028-CRING | BAF22002 |
| 546 | Anneau en E | 1 | H-1030-543 | BAF10252 |
| 548 | Tige en plastique | 1 | ----- | A00104901 |
| 549 | Rondelle ondulée | 1 | H-3530-549 | BAE03102 |
| 550 | Crochet équilibreur | 1 | H-1030-BALAN | C0011201A |
| 551 | Anneau en C | 1 | H-1028-CRING | BAF22002 |
| 552 | Ensemble de la détente (9, 10, 11, 515) | 1 | H-1030-TASM | ADCS-19-P16-03 |
| | Magasin pour H-1030 (non illustré) | 1 | H-1030-550 | RA1A19RRP743 |
| | Rondelle ondulée (non illustré) | 1 | H-1030-552 | ----- |
| | Pince à sertir (non illustré) | 1 | H-1031-SET | RAT-19-P14 |
| | Magasin pour H-1031 (non illustré) | 1 | H-1031-550 | RA119RRP743N |