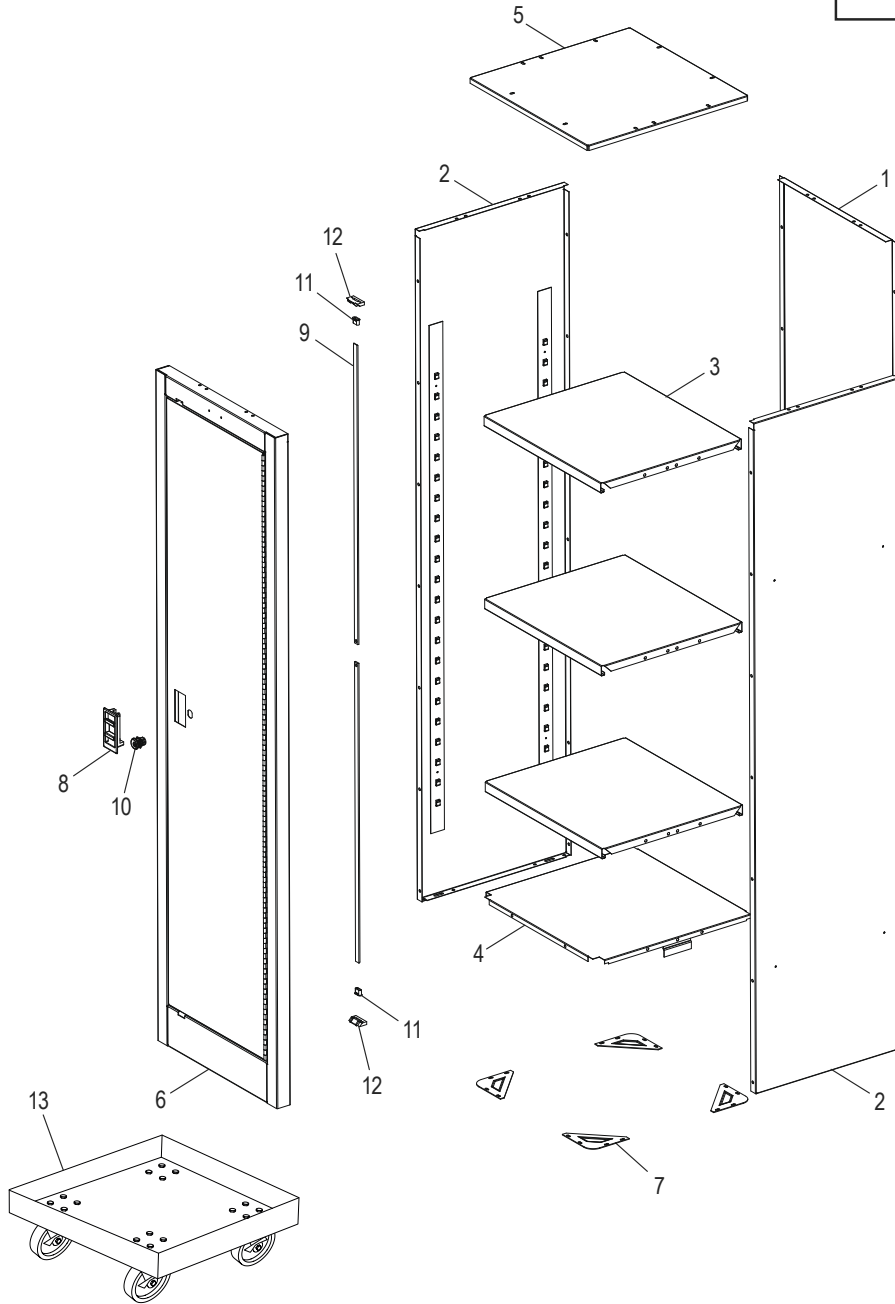
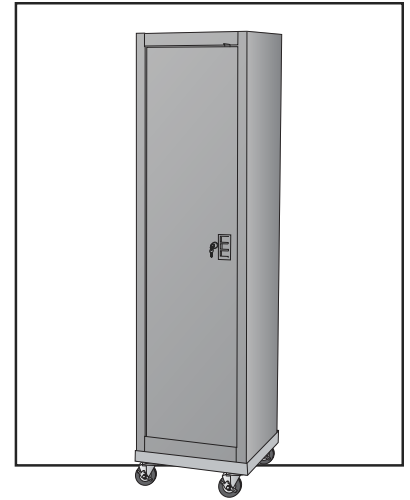


ULINE H-10696

MOBILE SLIM STORAGE CABINET

1-800-295-5510
uline.com

Para Español, vea páginas 3-4.
Pour le français, consulter les pages 5-6.

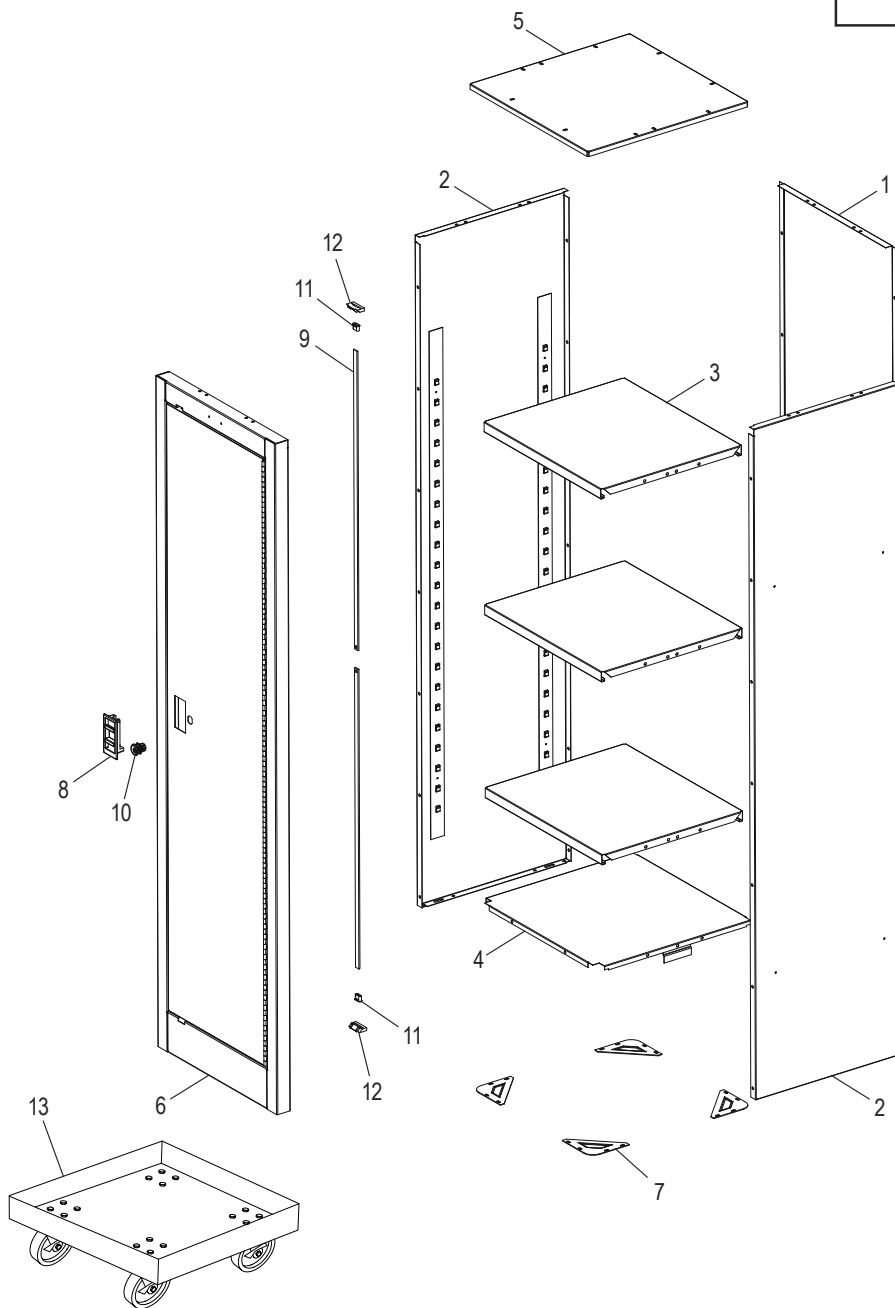
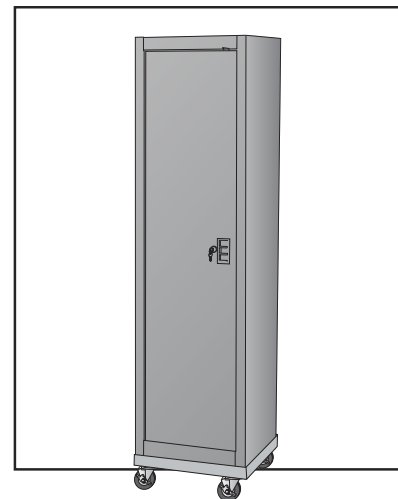


#	DESCRIPTION	QTY.	ULINE PART NO.	MFG. PART NO.
1	Back Panel – Black	1	-----	ICR1866-22F-ME
1	Back Panel – Gray	1	-----	ICR1866-22F-PL
2	Side Panel – Black	2	-----	ICS1866-22F-ME
2	Side Panel – Gray	2	-----	ICS1866-22F-PL
3	Shelf – Black	3	H-6319BL	ICAS1818ME
3	Shelf – Gray	3	H-6319GR	ICAS1818PL
4	Bottom – Black	1	-----	ICB1818-22-ME
4	Bottom – Gray	1	-----	ICB1818-22-PL
5	Top – Black	1	-----	ICT1818-22-ME
5	Top – Gray	1	-----	ICT1818-22-PL
6	Door and Frame – Black	1	-----	ICSD1866P-ME
6	Door and Frame – Gray	1	-----	ICSD1866P-PL
7	Foot Plate	4	-----	CFP100
8	Latch Handle	1	H-6318-8	LSL100F
9	Lock Bar (Set)	1	-----	ICLRS66
10	Cabinet Lock	1	H-6316-LOCK	ABA001
11	Lock Bar Guide	2	H-6317-GLDEQ	LRG1
12	Bottom Bar Guide	2	-----	BRG-100
13	Base – Black	1	H-10693BL	MINICGTC1818BL
13	Base – Gray	1	H-10693GR	MINICGTC1818LG
	Bolt (Not Shown)	54	-----	MBT200
	Nut (Not Shown)	54	-----	N201
	Keys (Set of 2) (Not Shown)	1	H-7349	ABA001K

ULINE H-10696

**GABINETE DELGADO
MÓVIL**

800-295-5510
uline.mx

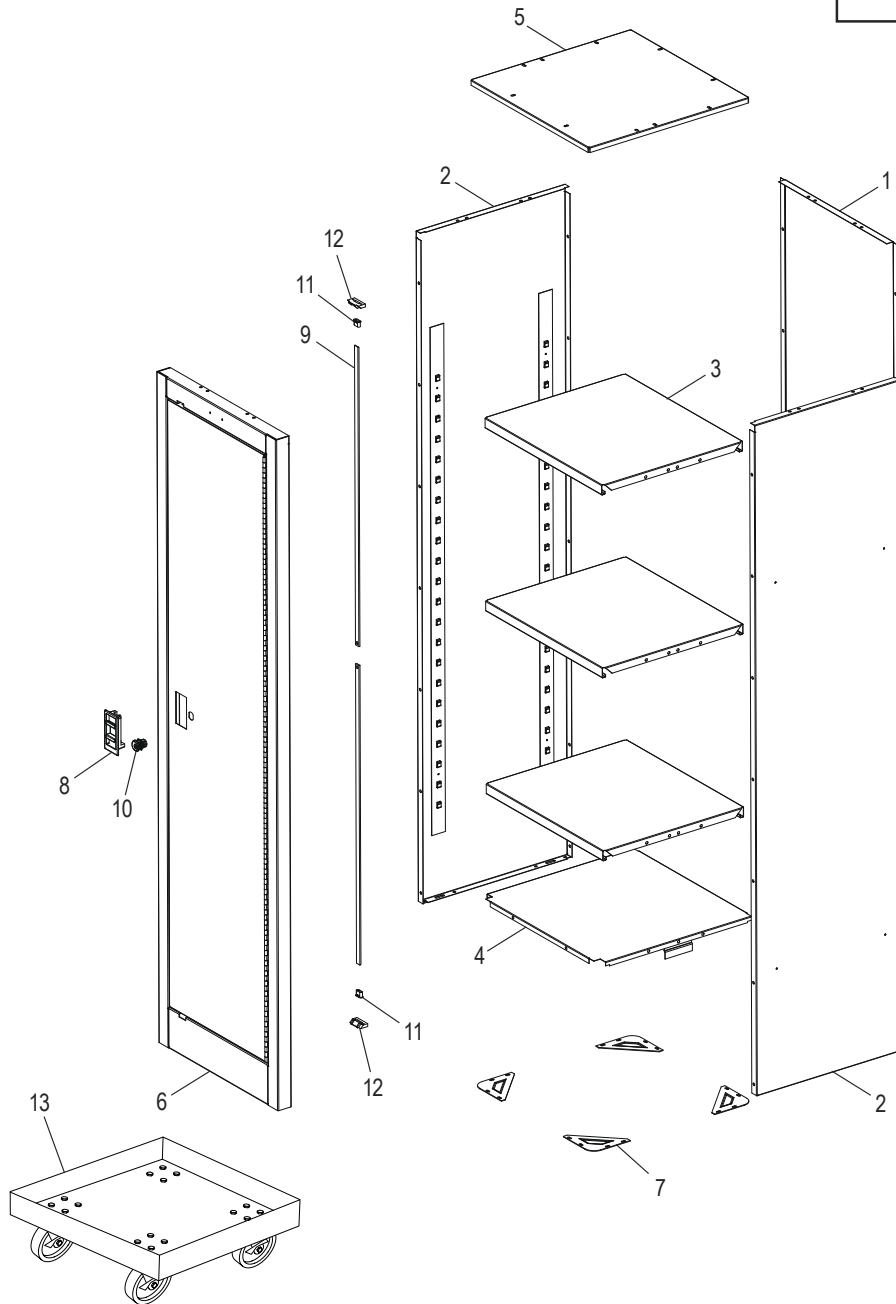
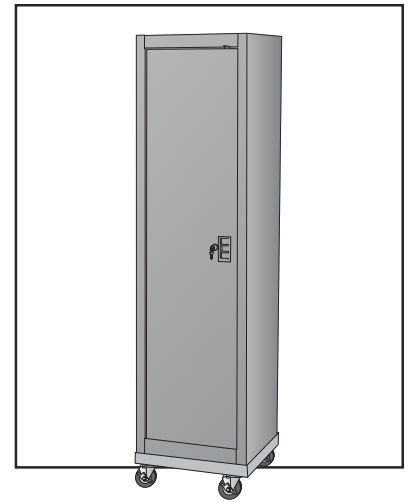


#	DESCRIPCIÓN	CANT.	NO. DE PARTE DE ULINE	NO. DE PARTE DEL FABRICANTE
1	Panel Trasero – Negro	1	-----	ICR1866-22F-ME
1	Panel Trasero – Gris	1	-----	ICR1866-22F-PL
2	Panel Lateral – Negro	2	-----	ICS1866-22F-ME
2	Panel Lateral – Gris	2	-----	ICS1866-22F-PL
3	Repisa – Negro	3	H-6319BL	ICAS1818ME
3	Repisa – Gris	3	H-6319GR	ICAS1818PL
4	Parte Inferior – Negro	1	-----	ICB1818-22-ME
4	Parte Inferior – Gris	1	-----	ICB1818-22-PL
5	Parte Superior – Negro	1	-----	ICT1818-22-ME
5	Parte Superior – Gris	1	-----	ICT1818-22-PL
6	Puerta y Armazón – Negro	1	-----	ICSDF1866P-ME
6	Puerta y Armazón – Gris	1	-----	ICSDF1866P-PL
7	Placa Inferior	4	-----	CFP100
8	Asa	1	H-6318-8	LSL100F
9	Barra de Seguridad (Set)	1	-----	ICLRS66
10	Cerradura	1	H-6316-LOCK	ABA001
11	Guía de la Barra de Seguridad	2	H-6317-GLDEQ	LRG1
12	Guía de la Barra Inferior	2	-----	BRG-100
13	Base – Negro	1	H-10693BL	MINICGTC1818BL
13	Base – Gris	1	H-10693GR	MINICGTC1818LG
	Perno (No se Muestra)	54	-----	MBT200
	Tuerca (No se Muestra)	54	-----	N201
	Llaves (Set de 2) (No se Muestran)	1	H-7349	ABA001K

ULINE H-10696

**ARMOIRE DE RANGEMENT
MINCE ET MOBILE**

1-800-295-5510
uline.ca



#	DESCRIPTION	QTÉ	RÉF. ULINE	RÉF. DU FABRICANT
1	Panneau arrière – Noir	1	-----	ICR1866-22F-ME
1	Panneau arrière – Gris	1	-----	ICR1866-22F-PL
2	Panneau latéral – Noir	2	-----	ICS1866-22F-ME
2	Panneau latéral – Gris	2	-----	ICS1866-22F-PL
3	Tablette – Noir	3	H-6319BL	ICAS1818ME
3	Tablette – Gris	3	H-6319GR	ICAS1818PL
4	Tablette inférieure – Noir	1	-----	ICB1818-22-ME
4	Tablette inférieure – Gris	1	-----	ICB1818-22-PL
5	Tablette supérieure – Noir	1	-----	ICT1818-22-ME
5	Tablette supérieure – Gris	1	-----	ICT1818-22-PL
6	Porte et cadre – Noir	1	-----	ICSDF1866P-ME
6	Porte et cadre – Gris	1	-----	ICSDF1866P-PL
7	Plaque de pied	4	-----	CFP100
8	Poignée de verrouillage	1	H-6318-8	LSL100F
9	Barre de verrouillage (ensemble)	1	-----	ICLRS66
10	Verrou d'armoire	1	H-6316-LOCK	ABA001
11	Guide de barre de verrouillage	2	H-6317-GLDEQ	LRG1
12	Guide de barre inférieure	2	-----	BRG-100
13	Base – Noir	1	H-10693BL	MINICGTC1818BL
13	Base – Gris	1	H-10693GR	MINICGTC1818LG
	Boulon (non illustré)	54	-----	MBT200
	Écrou (non illustré)	54	-----	N201
	Clés (jeu de 2) (non illustré)	1	H-7349	ABA001K