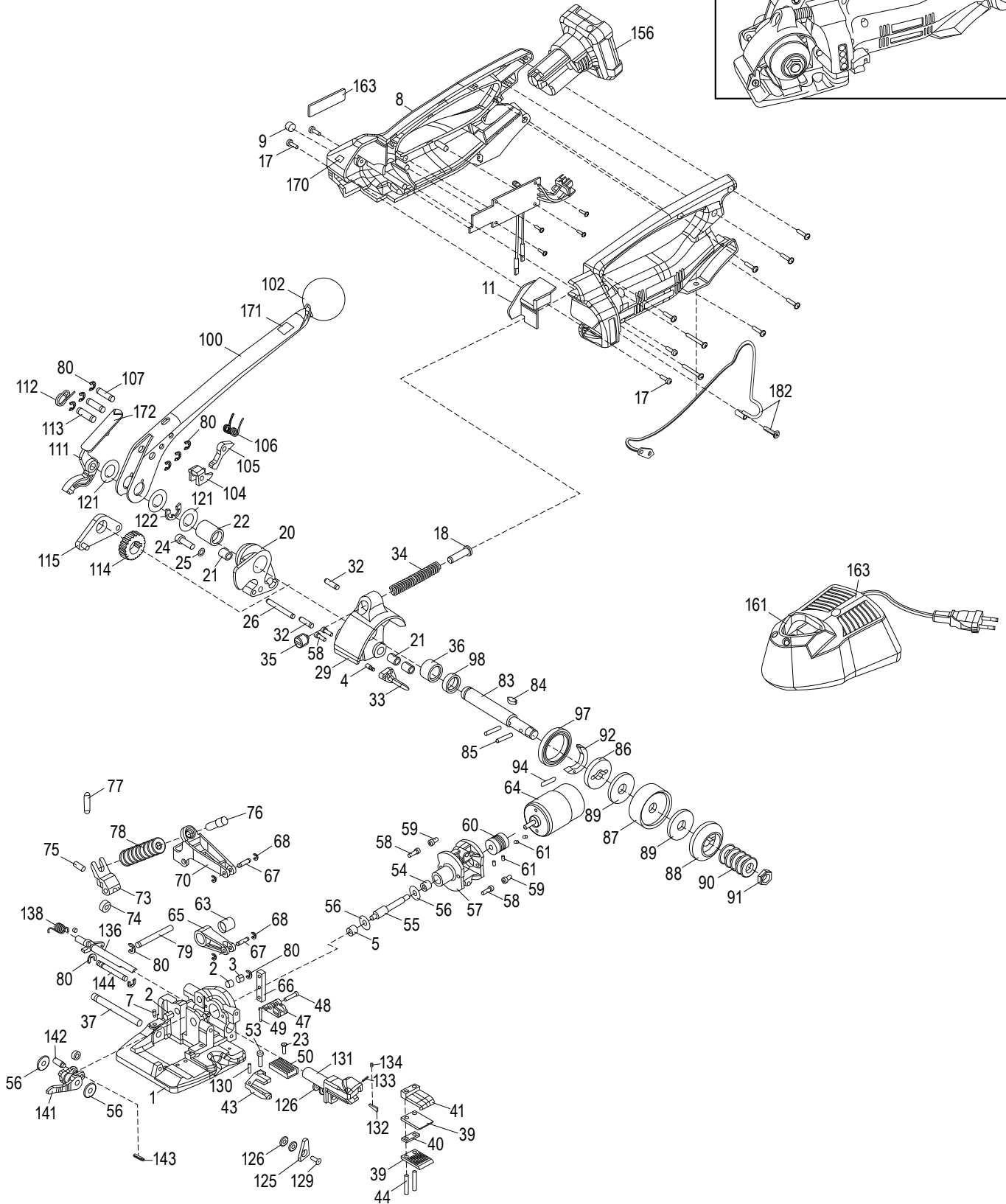
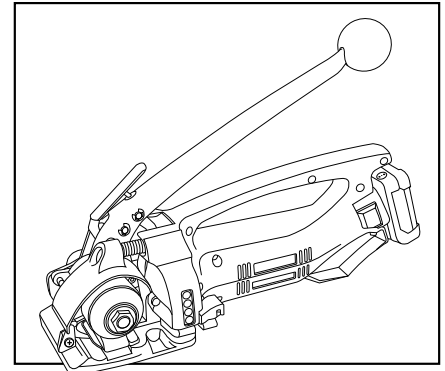


ULINE H-10933

SEMI-AUTO SEALLESS COMBO TOOL

1-800-295-5510
uline.com

Para Español, vea páginas 5-8.
Pour le français, consulter les pages 9-12.



ULINE H-10933
**SEMI-AUTO SEALLESS
COMBO TOOL**

1-800-295-5510
uline.com

#	DESCRIPTION	QTY.	ULINE PART NO.	MFG. PART NO.
1	Base Plate	1	H-1334-BASE	1832.011.146
2	Slide Bearing – 6/8 x 10 mm	2	-----	1935.506.100
3	Slide Bearing – 6/8 x 6 mm	2	-----	1935.506.060
4	Grooved Dowel Pin	2	H-1334-LPIN	1922.104.123
5	Needle Bushing – 6/10 x 9 mm	1	H-1334-5	1933.906.090
7	Set Screw	1	H-1334-7	1910.604.082
8	Set of Housing Parts	1	H-10942	1832.011.485
9	Closing Plug	1	-----	1960.000.599
11	Front Cover	1	H-1334-COVER	1832.011.027
17	Head Screw – M4 x 12 mm	4	H-1334-HS	1914.404.128
18	Bolt – 12 x 30 mm	1	H-1334BOLT	1821.033.009
20	Rocker Right	1	H-1334-20	1832.031.001
21	Slide Bearing – 8/10 x 12 mm	3	H-1334-SLIDE	1935.508.120
22	Bearing – 16/22 x 26 mm	1	H-1067-#54	1926.502.160
23	Counter Sunk Screw – M3 x 12 mm	1	-----	1911.803.128
24	Cylinder Screw – M6 x 20 mm	1	-----	1911.006.208
25	M6 Lock Washer	1	-----	1919.606.072
26	Spiral Pin – 5 x 45 mm	1	H-1334-26	1921.405.451
29	Rocker Left	1	H-772-LROCKR	1832.031.041
32	Spiral Pin – 6 x 20 mm	2	H-1334-PIN	1921.406.201
33	Bolt – 39 x 25 x 16 mm	1	H-1334-33	1832.031.011
34	Compression Spring	1	H-1334CSPRNG	1821.010.018
35	Set Screw	1	H-1067-P71	1820.030.092
36	Needle Bushing – 16/22 x 16 mm	1	-----	1933.716.160
37	Bolt – 8 x 79 mm	1	-----	1821.039.006
39	Tooth Plate	2	H-772-TPLATE	1821.048.002
40	Spacer Plate	1	H-1334-40	1821.205.014
41	Tension Plate	1	H-1334-PLATE	1821.048.004
43	Stop	1	-----	1832.041.004
44	Spiral Pin	2	-----	1921.404.261
47	Welding Shoe	1	H-1334-SHOE	1832.022.002
48	Bolt – 6 x 20 mm	1	H-1334-48	1821.033.007
49	Cotter Pin – 2 x 12 mm	1	H-772-COTTER	1923.501.120
50	Tooth Plate	1	H-1334-TOOTH	1832.022.123
53	Cylinder Screw – M4 x 16 mm	1	-----	1911.004.168
54	Needle Bushing – 6/10 x 9 mm	1	H-1334-BRNG	1933.706.090
55	Eccentric Shaft	1	H-1334-ES	1832.033.006
56	Spacer Disk – 6/18 x 0.5 mm	4	H-1334-56	1917.401.065
57	Flange	1	H-1334-57	1832.011.022
58	Cylinder Screw – M4 x 12 mm	3	-----	1911.004.128
59	Cylinder Screw – M4 x 8 mm	2	H-2385-CSCRW	1911.004.088
60	Coupling	1	H-1334-COUP	1821.250.003

ULINE H-10933
**SEMI-AUTO SEALLESS
COMBO TOOL**

1-800-295-5510
uline.com

#	DESCRIPTION	QTY.	ULINE PART NO.	MFG. PART NO.
61	Set Screw – M3 x 6 mm	4	-----	1910.703.062
63	Needle Bushing – 10/14 x 15 mm	1	H-1334-63	1933.710.150
64	Motor	1	H-1334-MOTOR	1821.140.002
65	Connecting Rod	1	-----	1832.022.001
66	Link	1	H-1334-LINK	1821.205.013
67	Bolt – 4 x 18 mm	2	H-1334-BOLT	1821.031.015
68	Lock Washer – 7 x 0.6 mm	4	H-2386-LOCKW	1920.103.062
70	Pressure Piece	1	-----	1832.022.006
73	Stroke Piece	1	-----	1832.022.004
74	Press Roll	1	-----	1821.020.039
75	Bolt – 6 x 15 mm	1	-----	1821.030.014
76	Set Screw	1	H-1334-76	1821.039.008
77	Tension Spring – 7 x 24 mm	1	H-1334-TSPRI	1821.011.003
78	Saucer Spring	9	H-1334-SAUCE	1821.019.003
79	Bolt – 6 x 58 mm	1	-----	1821.031.016
80	Lock Washer – 11 x 0.8 mm	9	H01334-LOCKW	1920.105.072
83	Tension Shaft	1	H-1334TSHFT	1832.033.005
84	Key	1	H-1334KEYRH	1830.000.062
85	Pin	2	-----	1821.030.024
86	Carring Disc	1	-----	1821.255.002
87	Tension Wheel	1	H-1334TWHEEL	1821.047.003
88	Carrier	1	-----	1821.255.001
89	Clutch Disc	2	H-1334-89	1830.000.262
90	Saucer Spring	5	H-1334-SSP	1925.210.122
91	Nut	1	H-1334-91	1820.020.163
92	Ring	1	H-1334-RING	1832.039.007
94	Tension Spring – 4 x 23 mm	1	H-1334-SPRIN	1820.010.182
97	Bearing – 35 x 47 x 7 mm	1	H-2385-BEAR	1930.180.356
98	Bushing – 22 x 16 x 7.3 mm	1	H-1334-BSHNG	1821.020.037
100	Tension Lever	1	H-1334-TL	1821.080.003
102	Knob	1	H-739-37	1820.080.051
104	Pawl – 23 x 18 x 16 mm	1	H-1334-PWL	1832.039.008
105	Pawl – 36 x 19 x 6 mm	1	H-1334-PAWL	1832.039.009
106	Torsion Spring – 24 x 14 x 11 mm	1	H-1334-TRSN	1820.010.149
107	Bolt – 6 x 25 mm	2	H-1334-BOLT	1821.031.013
111	Welding Lever	1	H-1334-LEVER	1821.084.002
112	Torsion Spring – 28 x 16 x 10 mm	1	H-1334-TORSI	1821.012.007
113	Bolt – 8 x 26 mm	1	H-1334-113	1821.031.014
114	Locking Wheel	1	H-739-43	1820.040.060
115	Switch Link Complete	1	H-1334-SWTCB	1821.089.005
121	Spacer Disk	3	H-739-SPACER	1917.401.165
122	Lock Washer – 23 x 1.3 mm	1	H-1275-044	1920.112.132

ULINE H-10933
**SEMI-AUTO SEALLESS
COMBO TOOL**

1-800-295-5510
uline.com

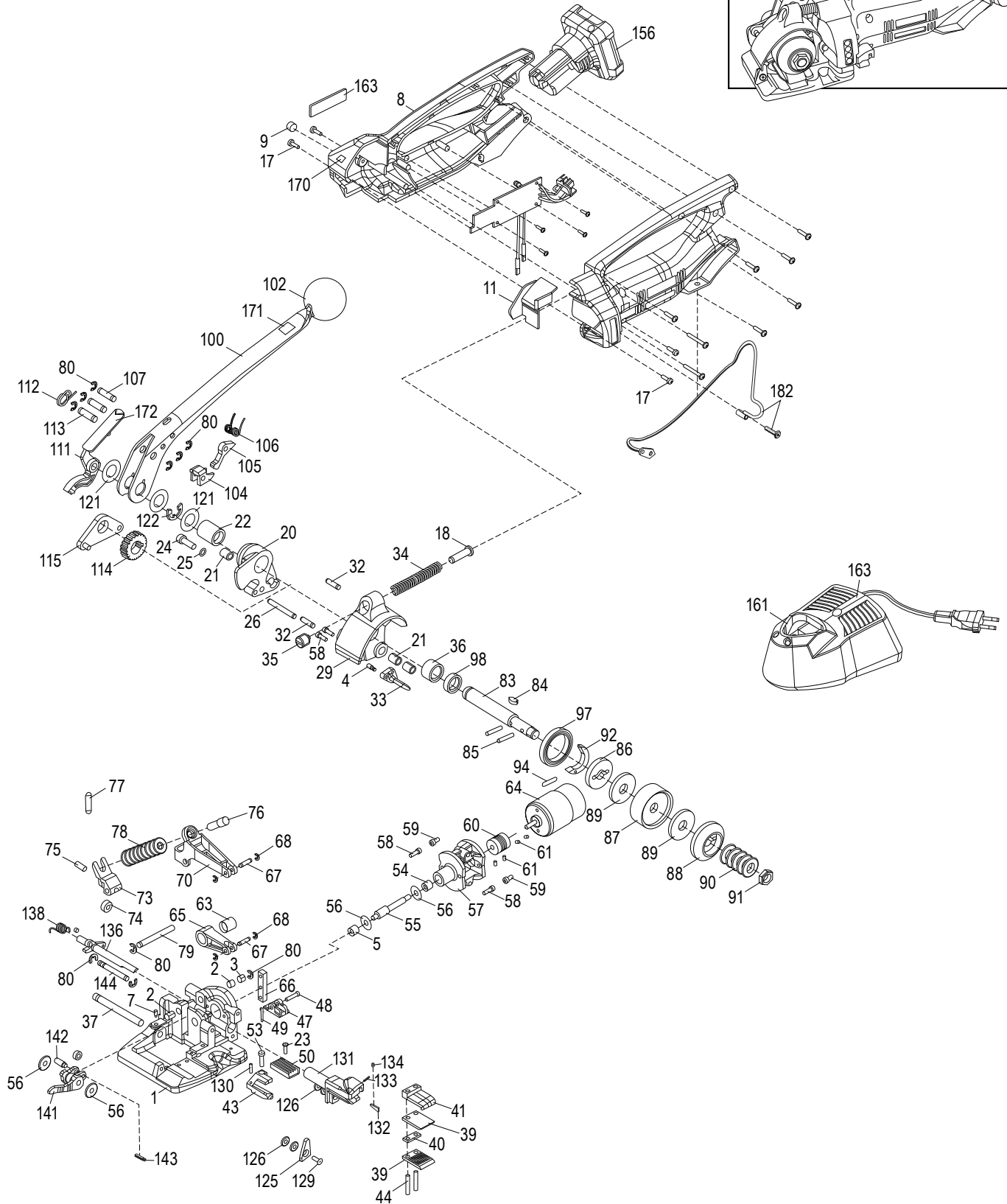
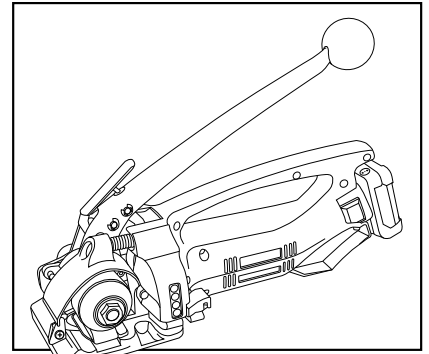
#	DESCRIPTION	QTY.	ULINE PART NO.	MFG. PART NO.
125	Strap Guide	1	H-1334-SGUID	1832.041.002
126	Washer	4	H-1334-126	1821.020.042
129	Counter Sunk Screw – M4 x 12 mm	2	H-772-CNTRSS	1911.804.127
130	Roll Pin – 2.5 x 12 mm	1	-----	1921.902.122
131	Knife Sleeve	1	H-1334-131	1832.042.038
132	Pawl – 17 x 8 x 4 mm	1	H-1334-035	1832.042.035
133	Special Screw	1	H-1334-418	1820.030.418
134	Compression Spring	1	H-1334-019	1821.010.019
136	Knife Complete With Magnet	1	H-1334-KNIFE	1821.209.016
138	Torsion Spring – 20 x 14 x 10 mm	1	H-1334TSPRNG	1821.012.008
141	Stroke Lever	1	H-1334-141	1832.022.007
142	Bushing – 10 x 6 x 5 mm	1	-----	1821.020.040
143	Bolt – 6 x 16 mm	1	-----	1821.030.013
144	Bolt – 6 x 48 mm	1	-----	1821.039.005
156	Name Tag "Battery"	1	-----	1821.090.012
161	Adapter	1	H-1334-ADAPT	2179.115
163	Name Tag "Battery Charger"	2	H-2385-NMPLI	1821.090.021
170	Indication Plate "CE"	1	-----	1821.092.016
171	Indication Plate "1"	1	-----	1821.092.017
172	Indication Plate "2"	1	-----	1821.092.020
182	Suspension Bow Assembly	1	H-1334-BOW	2179.813

ULINE H-10933

800-295-5510

uline.mx

HERRAMIENTA SEMIAUTOMÁTICA COMBINADA PARA UNIÓN SIN SELLO



**HERRAMIENTA SEMIAUTOMÁTICA
COMBINADA PARA UNIÓN SIN
SELLO**

#	DESCRIPCIÓN	CANT.	NO. DE PARTE DE ULINE	FABR. NO. DE PARTE
1	Placa Base	1	H-1334-BASE	1832.011.146
2	Balero Deslizante de 6/8 x 10 mm	2	-----	1935.506.100
3	Balero Deslizante de 6/8 x 6 mm	2	-----	1935.506.060
4	Pasador de Taquete Ranurado	2	H-1334-LPIN	1922.104.123
5	Casquillo Fino de 6/10 x 9 mm	1	H-1334-5	1933.906.090
7	Tornillo de Ajuste	1	H-1334-7	1910.604.082
8	Set de Partes de la Cubierta	1	H-10942	1832.011.485
9	Tapón de Cierre	1	-----	1960.000.599
11	Cubierta Frontal	1	H-1334-COVER	1832.011.027
17	Tornillo de Cabeza M4 x 12 mm	4	H-1334-HS	1914.404.128
18	Perno de 12 x 30 mm	1	H-1334BOLT	1821.033.009
20	Balancín Derecho	1	H-1334-20	1832.031.001
21	Balero Deslizante de 8/10 x 12 mm	3	H-1334-SLIDE	1935.508.120
22	Balero de 16/22 x 26 mm	1	H-1067-#54	1926.502.160
23	Tornillo Avellanado M3 x 12 mm	1	-----	1911.803.128
24	Tornillo de Cilindro M6 x 20 mm	1	-----	1911.006.208
25	Rondana de Seguridad M6	1	-----	1919.606.072
26	Pasador de Espiral de 5 x 45 mm	1	H-1334-26	1921.405.451
29	Balancín Izquierdo	1	H-772-LROCKR	1832.031.041
32	Pasador de Espiral de 6 x 20 mm	2	H-1334-PIN	1921.406.201
33	Perno de 39 x 25 x 16 mm	1	H-1334-33	1832.031.011
34	Resorte de Compresión	1	H-1334CSPRNG	1821.010.018
35	Tornillo de Ajuste	1	H-1067-P71	1820.030.092
36	Casquillo Fino de 16/22 x 16 mm	1	-----	1933.716.160
37	Perno de 8 x 79 mm	1	-----	1821.039.006
39	Placa Dentada	2	H-772-TPLATE	1821.048.002
40	Placa Separadora	1	H-1334-40	1821.205.014
41	Placa de Tensión	1	H-1334-PLATE	1821.048.004
43	Tope	1	-----	1832.041.004
44	Pasador de Espiral	2	-----	1921.404.261
47	Zapata de Soldadura	1	H-1334-SHOE	1832.022.002
48	Perno de 6 x 20 mm	1	H-1334-48	1821.033.007
49	Pasador de Chaveta de 2 x 12 mm	1	H-772-COTTER	1923.501.120
50	Placa Dentada	1	H-1334-TOOTH	1832.022.123
53	Tornillo de Cilindro M4 x 16 mm	1	-----	1911.004.168
54	Casquillo Fino de 6/10 x 9 mm	1	H-1334-BRNG	1933.706.090
55	Eje Excéntrico	1	H-1334-ES	1832.033.006
56	Disco Espaciador de 6/18 x 0.5 mm	4	H-1334-56	1917.401.065
57	Brida	1	H-1334-57	1832.011.022
58	Tornillo de Cilindro M4 x 12 mm	3	-----	1911.004.128
59	Tornillo de Cilindro M4 x 8 mm	2	H-2385-CSCRW	1911.004.088
60	Acople	1	H-1334-COUP	1821.250.003

**HERRAMIENTA SEMIAUTOMÁTICA
COMBINADA PARA UNIÓN SIN
SELLO**

#	DESCRIPTION	QTY.	ULINE PART NO.	MFG. PART NO.
61	Tornillo de Ajuste M3 x 6 mm	4	-----	1910.703.062
63	Casquillo Fino de 10/14 x 15 mm	1	H-1334-63	1933.710.150
64	Motor	1	H-1334-MOTOR	1821.140.002
65	Varilla de Conexión	1	-----	1832.022.001
66	Enlace	1	H-1334-LINK	1821.205.013
67	Perno de 4 x 18 mm	2	H-1334-BOLT	1821.031.015
68	Rondana de Seguridad de 7 x 0.6 mm	4	H-2386-LOCKW	1920.103.062
70	Pieza de Presión	1	-----	1832.022.006
73	Pieza de Golpe	1	-----	1832.022.004
74	Rodillo de Presión	1	-----	1821.020.039
75	Perno de 6 x 15 mm	1	-----	1821.030.014
76	Tornillo de Ajuste	1	H-1334-76	1821.039.008
77	Resorte de Tensión de 7 x 24 mm	1	H-1334-TSPRI	1821.011.003
78	Resorte de Platillo	9	H-1334-SAUCE	1821.019.003
79	Perno de 6 x 58 mm	1	-----	1821.031.016
80	Rondana de Seguridad de 11 x 0.8 mm	9	H01334-LOCKW	1920.105.072
83	Eje de Tensión	1	H-1334TSHFT	1832.033.005
84	Llave	1	H-1334KEYRH	1830.000.062
85	Pasador	2	-----	1821.030.024
86	Disco de Transporte	1	-----	1821.255.002
87	Rueda de Tensión	1	H-1334TWHEEL	1821.047.003
88	Transportador	1	-----	1821.255.001
89	Disco de Embrague	2	H-1334-89	1830.000.262
90	Resorte de Platillo	5	H-1334-SSP	1925.210.122
91	Tuerca	1	H-1334-91	1820.020.163
92	Anillo	1	H-1334-RING	1832.039.007
94	Resorte de Tensión de 4 x 23 mm	1	H-1334-SPRIN	1820.010.182
97	Balero de 35 x 47 x 7 mm	1	H-2385-BEAR	1930.180.356
98	Casquillo de 22 x 16 x 7.3 mm	1	H-1334-BSHNG	1821.020.037
100	Palanca de Tensión	1	H-1334-TL	1821.080.003
102	Perilla	1	H-739-37	1820.080.051
104	Perno de 23 x 18 x 16 mm	1	H-1334-PWL	1832.039.008
105	Trinquete de 36 x 19 x 6 mm	1	H-1334-PAWL	1832.039.009
106	Resorte de Torsión de 24 x 14 x 11 mm	1	H-1334-TRSN	1820.010.149
107	Perno de 6 x 25 mm	2	H-1334-BOLT	1821.031.013
111	Palanca de Soldadura	1	H-1334-LEVER	1821.084.002
112	Resorte de Torsión de 28 x 16 x 10 mm	1	H-1334-TORSI	1821.012.007
113	Perno de 8 x 26 mm	1	H-1334-113	1821.031.014
114	Llantá con Seguro	1	H-739-43	1820.040.060
115	Enlace de Interruptor Completo	1	H-1334-SWTCH	1821.089.005
121	Disco Separador	3	H-739-SPACER	1917.401.165
122	Rondana de Seguridad de 23 x 1.3 mm	1	H-1275-044	1920.112.132

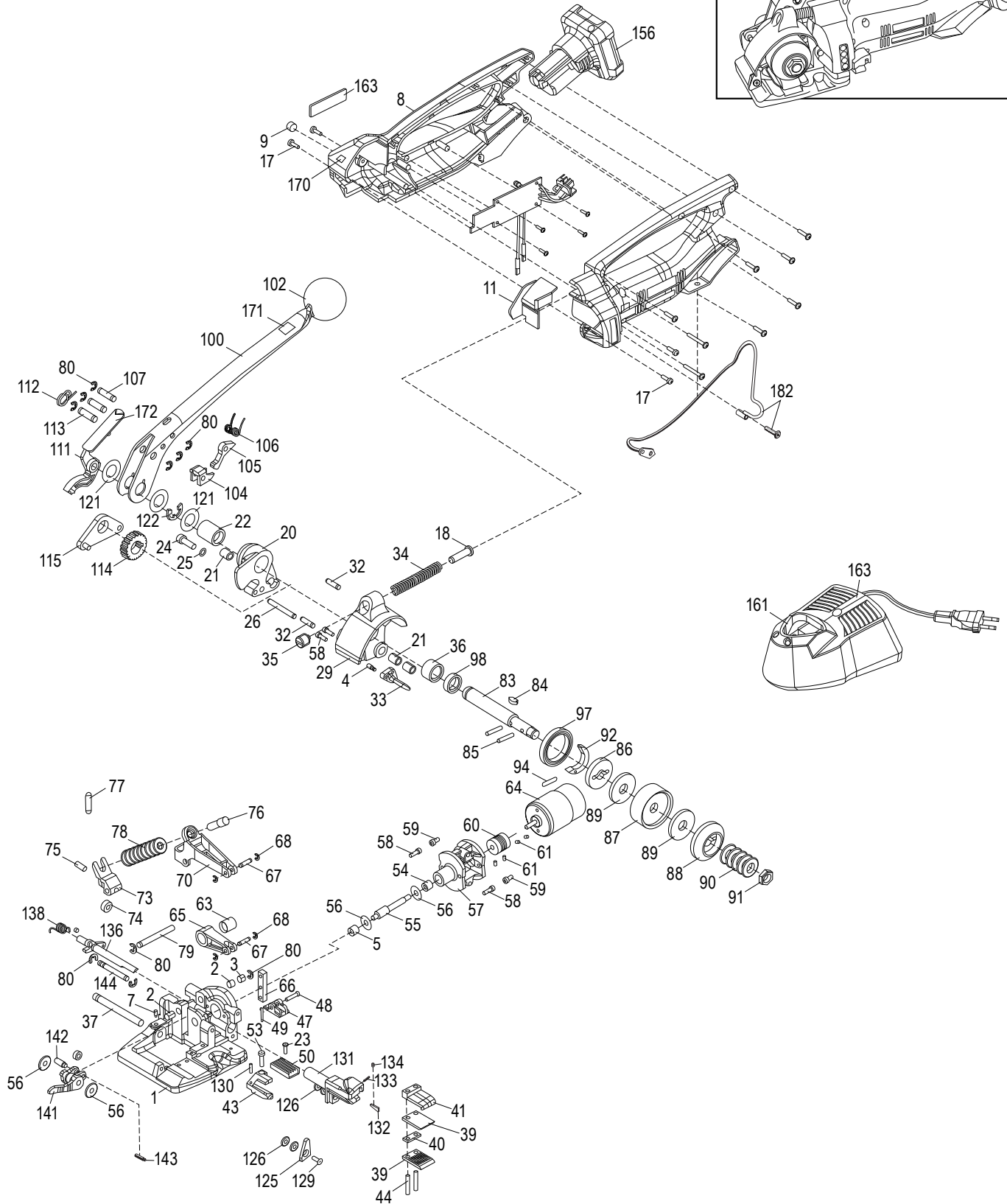
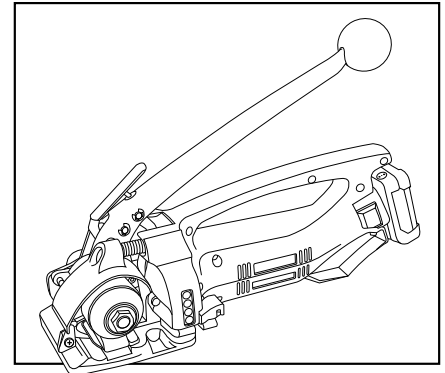
**HERRAMIENTA SEMIAUTOMÁTICA
COMBINADA PARA UNIÓN SIN
SELLO**

#	DESCRIPTION	QTY.	ULINE PART NO.	MFG. PART NO.
125	Guía de Fleje	1	H-1334-SGUID	1832.041.002
126	Rondana	4	H-1334-126	1821.020.042
129	Tornillo Avellanado M4 x 12 mm	2	H-772-CNTRSS	1911.804.127
130	Pasador del Rodillo de 2.5 x 12 mm	1	-----	1921.902.122
131	Funda de Cuchilla	1	H-1334-131	1832.042.038
132	Trinquete de 17 x 8 x 4 mm	1	H-1334-035	1832.042.035
133	Tornillo Especial	1	H-1334-418	1820.030.418
134	Resorte de Compresión	1	H-1334-019	1821.010.019
136	Cuchilla Completa con Imán	1	H-1334-KNIFE	1821.209.016
138	Resorte de Torsión de 20 x 14 x 10 mm	1	H-1334TSPRNG	1821.012.008
141	Palanca de Golpe	1	H-1334-141	1832.022.007
142	Casquillo de 10 x 6 x 5 mm	1	-----	1821.020.040
143	Perno de 6 x 16 mm	1	-----	1821.030.013
144	Perno de 6 x 48 mm	1	-----	1821.039.005
156	Etiqueta de Nombre "Battery" (Batería)	1	-----	1821.090.012
161	Adaptador	1	H-1334-ADAPT	2179.115
163	Etiqueta de Nombre "Battery Charger" (Cargador de Batería)	2	H-2385-NMPLT	1821.090.021
170	Placa Indicadora "CE"	1	-----	1821.092.016
171	Placa Indicadora "1"	1	-----	1821.092.017
172	Placa Indicadora "2"	1	-----	1821.092.020
182	Ensamble del Arco de Suspensión	1	H-1334-BOW	2179.813

ULINE H-10933

**OUTIL MULTIFONCTIONNEL
SEMI-AUTOMATIQUE SANS
JOINTS**

1 800 295-5510
uline.ca



**OUTIL MULTIFONCTIONNEL
SEMI-AUTOMATIQUE SANS
JOINTS**

#	DESCRIPTION	QTÉ	RÉF. ULINE	RÉF. DU FABRICANT
1	Plaque de base	1	H-1334-BASE	1832.011.146
2	Palier lisse de 6/8 x 10 mm	2	-----	1935.506.100
3	Palier lisse de 6/8 x 6 mm	2	-----	1935.506.060
4	Cheville à rainure	2	H-1334-LPIN	1922.104.123
5	Douille d'aiguille de 6/10 x 9 mm	1	H-1334-5	1933.906.090
7	Vis de réglage	1	H-1334-7	1910.604.082
8	Ensemble des pièces du boîtier	1	H-10942	1832.011.485
9	Bouchon de fermeture	1	-----	1960.000.599
11	Couvercle avant	1	H-1334-COVER	1832.011.027
17	Vis à tête M4 x 12 mm	4	H-1334-HS	1914.404.128
18	Boulon de 12 x 30 mm	1	H-1334BOLT	1821.033.009
20	Culbuteur droit	1	H-1334-20	1832.031.001
21	Palier lisse de 8/10 x 12 mm	3	H-1334-SLIDE	1935.508.120
22	Palier de 16/22 x 26 mm	1	H-1067-#54	1926.502.160
23	Vis à tête creuse M3 x 12 mm	1	-----	1911.803.128
24	Vis cylindrique M6 x 20 mm	1	-----	1911.006.208
25	Rondelle de blocage M6	1	-----	1919.606.072
26	Goupille à section spiralée de 5 x 45 mm	1	H-1334-26	1921.405.451
29	Culbuteur gauche	1	H-772-LROCKR	1832.031.041
32	Goupille à section spiralée de 6 x 20 mm	2	H-1334-PIN	1921.406.201
33	Boulon de 39 x 25 x 16 mm	1	H-1334-33	1832.031.011
34	Ressort de compression	1	H-1334CSPRNG	1821.010.018
35	Vis de réglage	1	H-1067-P71	1820.030.092
36	Douille d'aiguille de 16/22 x 16 mm	1	-----	1933.716.160
37	Boulon de 8 x 79 mm	1	-----	1821.039.006
39	Plaque dentelée	2	H-772-TPLATE	1821.048.002
40	Plaque d'espacement	1	H-1334-40	1821.205.014
41	Plaque de tension	1	H-1334-PLATE	1821.048.004
43	Butoir	1	-----	1832.041.004
44	Goupille à section spiralée	2	-----	1921.404.261
47	Semelle de soudage	1	H-1334-SHOE	1832.022.002
48	Boulon de 6 x 20 mm	1	H-1334-48	1821.033.007
49	Goupille fendue de 2 x 12 mm	1	H-772-COTTER	1923.501.120
50	Plaque dentelée	1	H-1334-TOOTH	1832.022.123
53	Vis cylindrique M4 x 16 mm	1	-----	1911.004.168
54	Douille d'aiguille de 6/10 x 9 mm	1	H-1334-BRNG	1933.706.090
55	Arbre à excentrique	1	H-1334-ES	1832.033.006
56	Disque d'espacement de 6/18 x 0,5 mm	4	H-1334-56	1917.401.065
57	Bride	1	H-1334-57	1832.011.022
58	Vis cylindrique M4 x 12 mm	3	-----	1911.004.128
59	Vis cylindrique M4 x 8 mm	2	H-2385-CSCRW	1911.004.088
60	Couplage	1	H-1334-COUPL	1821.250.003

**OUTIL MULTIFONCTIONNEL
SEMI-AUTOMATIQUE SANS
JOINTS**

#	DESCRIPTION	QTÉ	RÉF. ULINE	RÉF. DU FABRICANT
61	Vis de réglage M3 x 6 mm	4	-----	1910.703.062
63	Douille d'aiguille de 10/14 x 15 mm	1	H-1334-63	1933.710.150
64	Moteur	1	H-1334-MOTOR	1821.140.002
65	Bielle	1	-----	1832.022.001
66	Raccord	1	H-1334-LINK	1821.205.013
67	Boulon de 4 x 18 mm	2	H-1334-BOLT	1821.031.015
68	Rondelle de blocage de 7 x 0,6 mm	4	H-2386-LOCKW	1920.103.062
70	Pièce de pression	1	-----	1832.022.006
73	Pièce de frappe	1	-----	1832.022.004
74	Rouleau presseur	1	-----	1821.020.039
75	Boulon de 6 x 15 mm	1	-----	1821.030.014
76	Vis de réglage	1	H-1334-76	1821.039.008
77	Ressort de tension de 7 x 24 mm	1	H-1334-TSPRI	1821.011.003
78	Rondelle ressort	9	H-1334-SAUCE	1821.019.003
79	Boulon de 6 x 58 mm	1	-----	1821.031.016
80	Rondelle de blocage de 11 x 0,8 mm	9	H01334-LOCKW	1920.105.072
83	Arbre de tension	1	H-1334TSHFT	1832.033.005
84	Clé	1	H-1334KEYRH	1830.000.062
85	Goupille	2	-----	1821.030.024
86	Disque d'appui	1	-----	1821.255.002
87	Roue de serrage	1	H-1334TWHEEL	1821.047.003
88	Support	1	-----	1821.255.001
89	Disque d'embrayage	2	H-1334-89	1830.000.262
90	Rondelle ressort	5	H-1334-SSP	1925.210.122
91	Écrou	1	H-1334-91	1820.020.163
92	Anneau	1	H-1334-RING	1832.039.007
94	Ressort de tension de 4 x 23 mm	1	H-1334-SPRIN	1820.010.182
97	Palier de 35 x 47 x 7 mm	1	H-2385-BEAR	1930.180.356
98	Bague de 22 x 16 x 7,3 mm	1	H-1334-BSHNG	1821.020.037
100	Levier de tension	1	H-1334-TL	1821.080.003
102	Molette	1	H-739-37	1820.080.051
104	Cliquet de 23 x 18 x 16 mm	1	H-1334-PWL	1832.039.008
105	Cliquet de 36 x 19 x 6 mm	1	H-1334-PAWL	1832.039.009
106	Ressort de torsion de 24 x 14 x 11 mm	1	H-1334-TRSN	1820.010.149
107	Boulon de 6 x 25 mm	2	H-1334-BOLT	1821.031.013
111	Levier de soudage	1	H-1334-LEVER	1821.084.002
112	Ressort de torsion de 28 x 16 x 10 mm	1	H-1334-TORSI	1821.012.007
113	Boulon de 8 x 26 mm	1	H-1334-113	1821.031.014
114	Roue de blocage	1	H-739-43	1820.040.060
115	Bielle à contrat complet	1	H-1334-SWTCH	1821.089.005
121	Disque d'espacement	3	H-739-SPACER	1917.401.165
122	Rondelle de blocage de 23 x 1,3 mm	1	H-1275-044	1920.112.132

**OUTIL MULTIFONCTIONNEL
SEMI-AUTOMATIQUE SANS
JOINTS**

#	DESCRIPTION	QTÉ	RÉF. ULINE	RÉF. DU FABRICANT
125	Guide de feuilard	1	H-1334-SGUID	1832.041.002
126	Rondelle	4	H-1334-126	1821.020.042
129	Vis à tête creuse M4 x 12 mm	2	H-772-CNTRSS	1911.804.127
130	Goupille cylindrique de 2,5 x 12 mm	1	-----	1921.902.122
131	Manchon de couteau	1	H-1334-131	1832.042.038
132	Cliquet de 17 x 8 x 4 mm	1	H-1334-035	1832.042.035
133	Vis spéciale	1	H-1334-418	1820.030.418
134	Ressort de compression	1	H-1334-019	1821.010.019
136	Couteau complet avec aimant	1	H-1334-KNIFE	1821.209.016
138	Ressort de torsion de 20 x 14 x 10 mm	1	H-1334TSPRNG	1821.012.008
141	Levier de frappe	1	H-1334-141	1832.022.007
142	Bague de 10 x 6 x 5 mm	1	-----	1821.020.040
143	Boulon de 6 x 16 mm	1	-----	1821.030.013
144	Boulon de 6 x 48 mm	1	-----	1821.039.005
156	Étiquette " Battery " (batterie)	1	-----	1821.090.012
161	Adaptateur	1	H-1334-ADAPT	2179.115
163	Étiquette " Battery Charger " (chargeur de batterie)	2	H-2385-NMPLI	1821.090.021
170	Plaque signalétique " CE "	1	-----	1821.092.016
171	Plaque signalétique " 1 "	1	-----	1821.092.017
172	Plaque signalétique " 2 "	1	-----	1821.092.020
182	Ensemble de l'arc de suspension	1	H-1334-BOW	2179.813