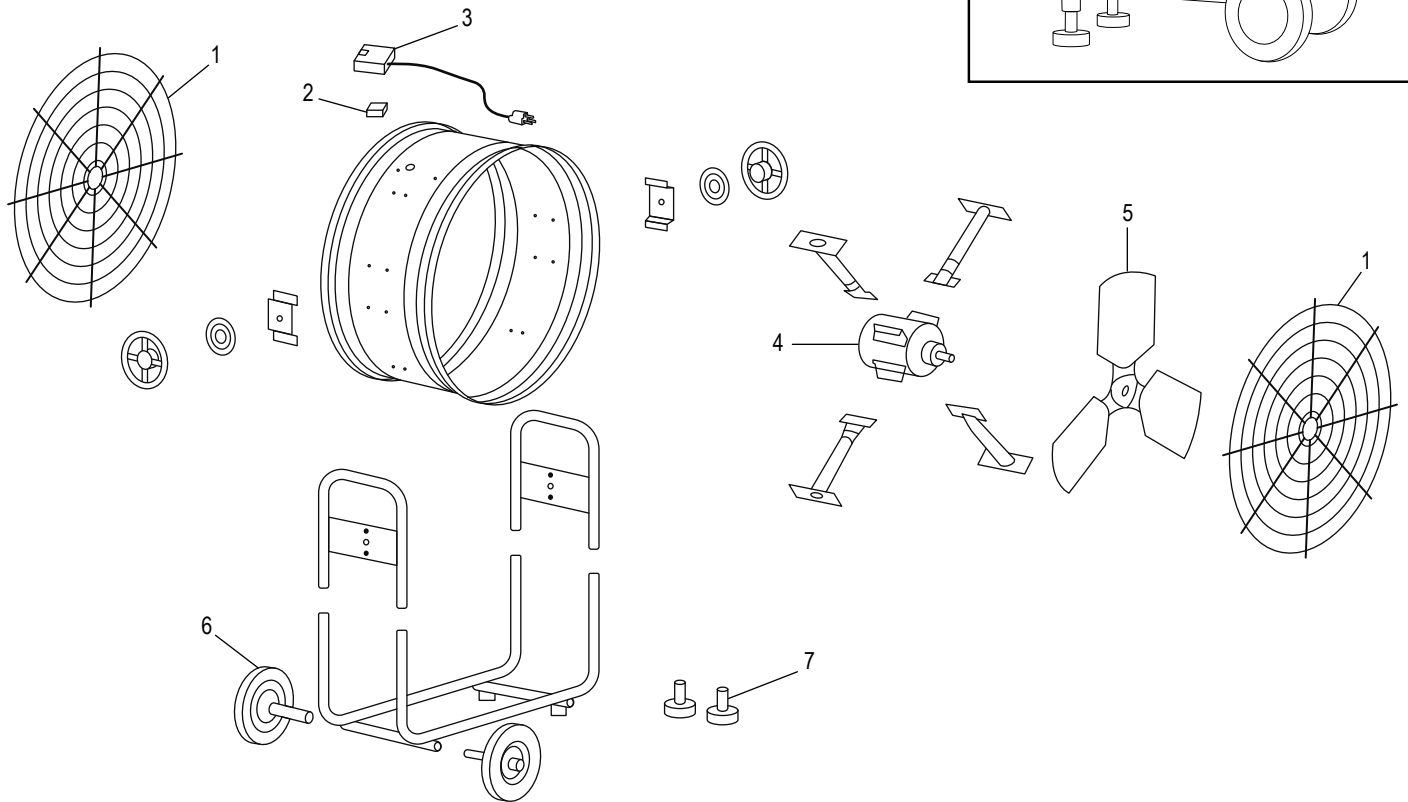
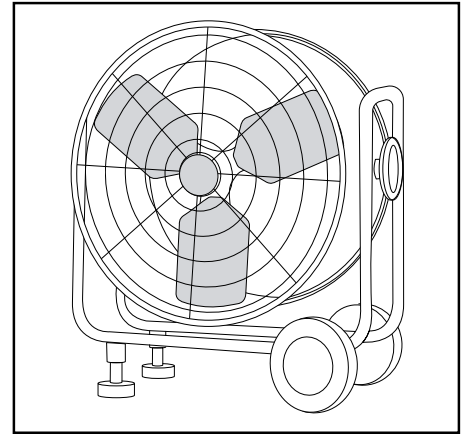


ULINE H-11656

24" TILTING DRUM FAN

1-800-295-5510
 uline.com

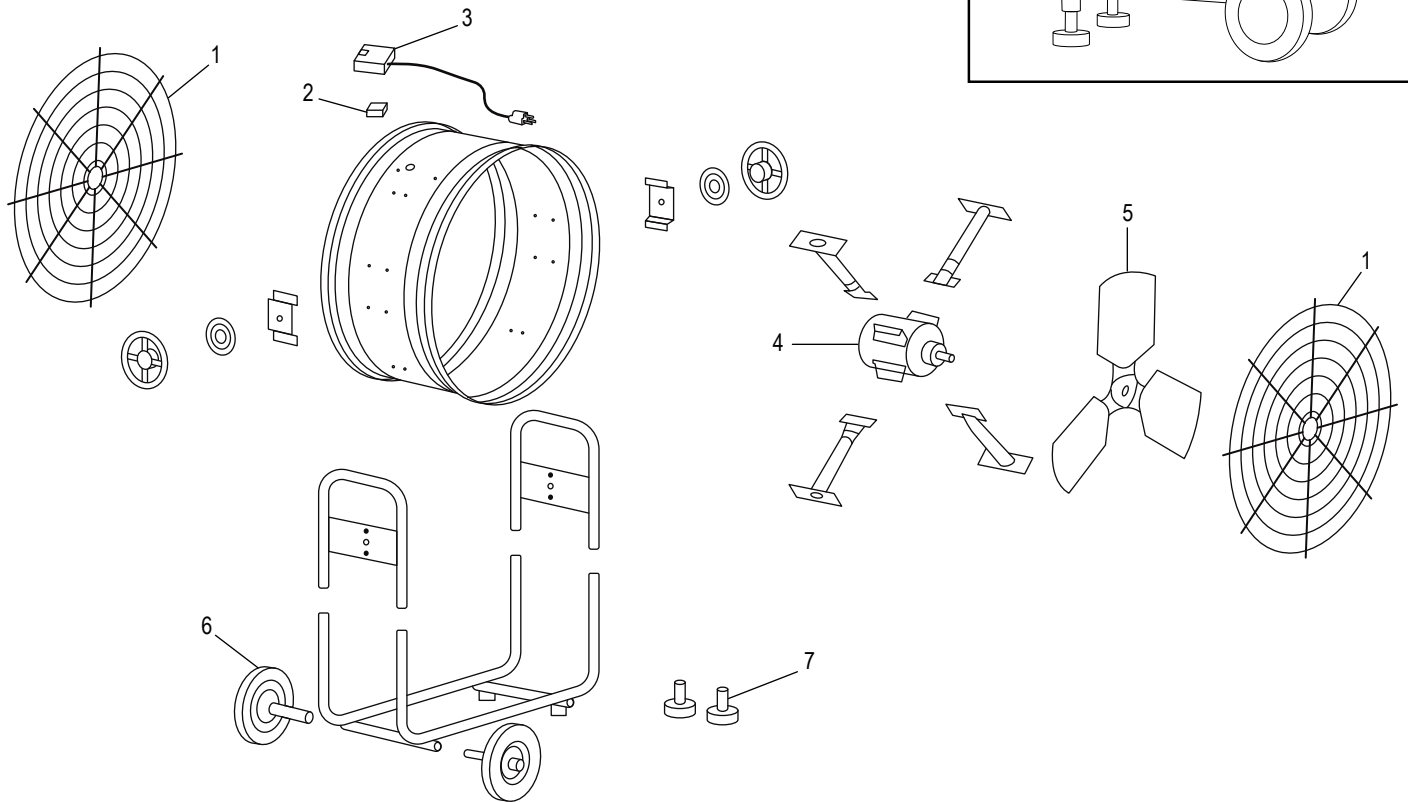
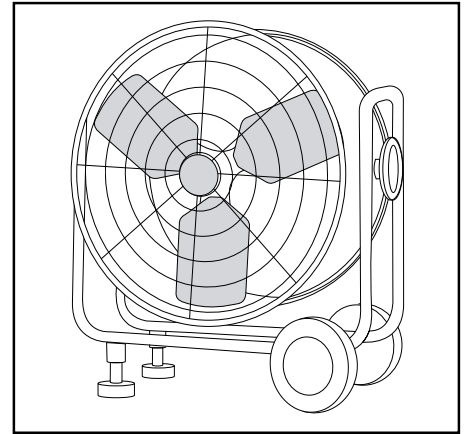


#	DESCRIPTION	QTY.	ULINE PART NO.	MFG. PART NO.
1	Fan Grill	2	H-11660	LFD-E600H-GR
2	Rotary Switch	1	H-11657	LFD-E600H-SW
3	Power Cord	1	H-11656-CORD	LFD-E600H-PC
4	Motor	1	H-11661	LFD-E600H-MTR
5	Blades Assembly	1	H-11659	LFD-E600H-BL
6	Wheel Assembly	2	H-11658	LFD-E600H-WH
7	Foot	2	H-11662	LFD-E600H-FT

ULINE H-11656**VENTILADOR OSCILANTE
TIPO TAMBOR DE 24"**

800-295-5510

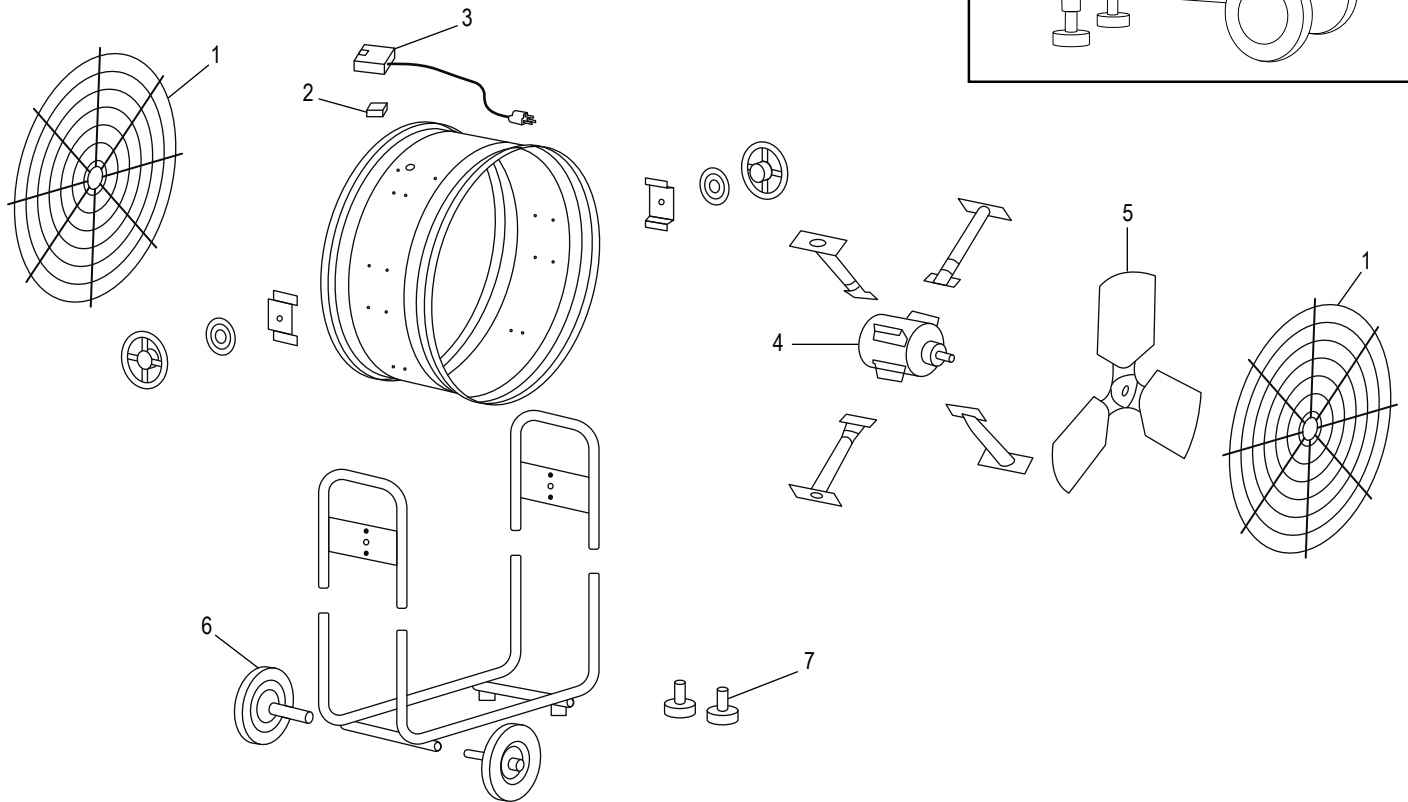
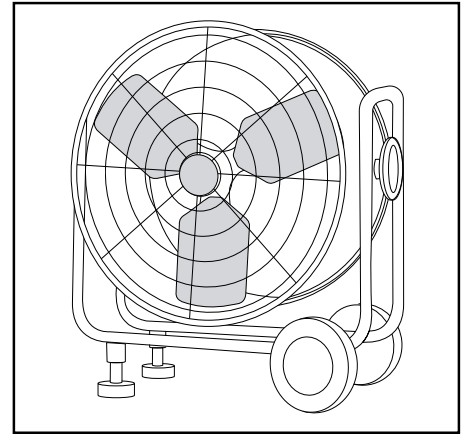
uline.mx



#	DESCRIPCIÓN	CANT.	NO. DE PARTE DE ULINE	NO. DE PARTE DEL FABRICANTE
1	Rejilla del Ventilador	2	H-11660	LFD-E600H-GR
2	Interruptor Giratorio	1	H-11657	LFD-E600H-SW
3	Cable	1	H-11656-CORD	LFD-E600H-PC
4	Motor	1	H-11661	LFD-E600H-MTR
5	Ensamble de las Aspas	1	H-11659	LFD-E600H-BL
6	Ensamble de las Llantas	2	H-11658	LFD-E600H-WH
7	Pata	2	H-11662	LFD-E600H-FT

ULINE H-11656
VENTILATEUR INCLINABLE
DE TYPE BARIL- 24 po

1 800 295-5510
 uline.ca



#	DESCRIPTION	QTÉ	RÉF. ULINE	RÉF. DU FABRICANT FABRICANT
1	Grille de ventilateur	2	H-11660	LFD-E600H-GR
2	Commutateur rotatif	1	H-11657	LFD-E600H-SW
3	Cordon d'alimentation	1	H-11656-CORD	LFD-E600H-PC
4	Moteur	1	H-11661	LFD-E600H-MTR
5	Ensemble des pales	1	H-11659	LFD-E600H-BL
6	Ensemble de roues	2	H-11658	LFD-E600H-WH
7	Patte	2	H-11662	LFD-E600H-FT