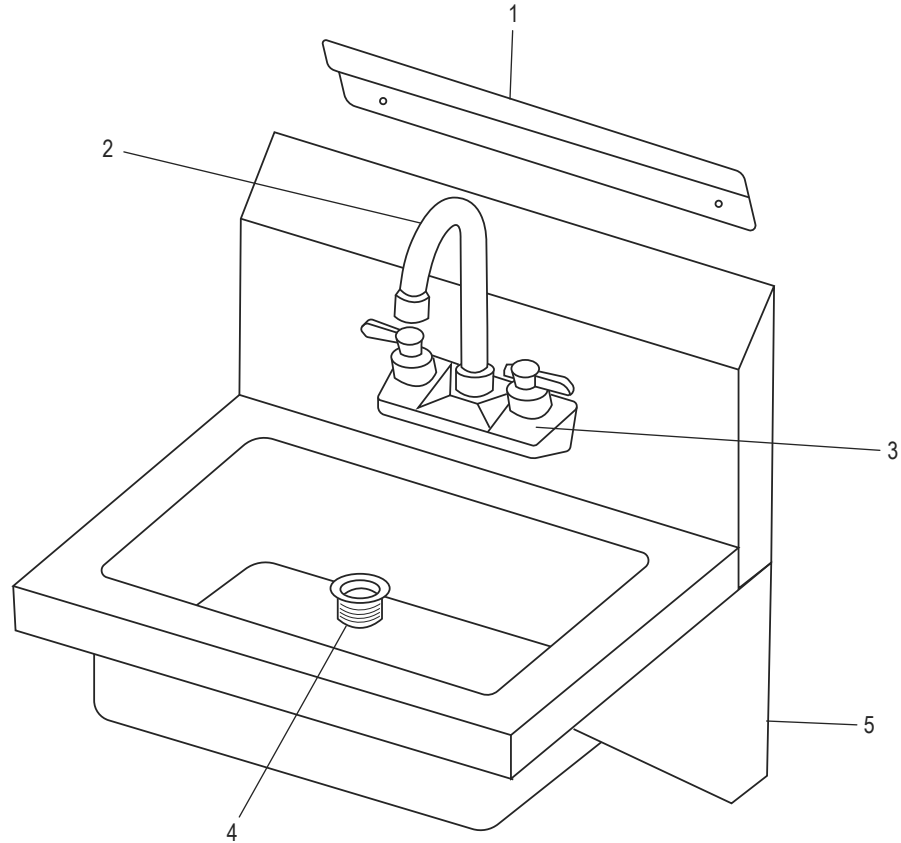
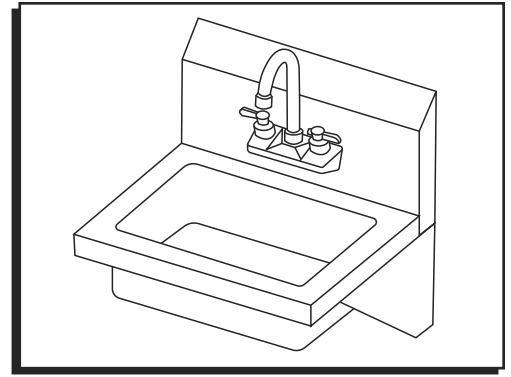


ULINE H-11726 STAINLESS STEEL HAND SINK

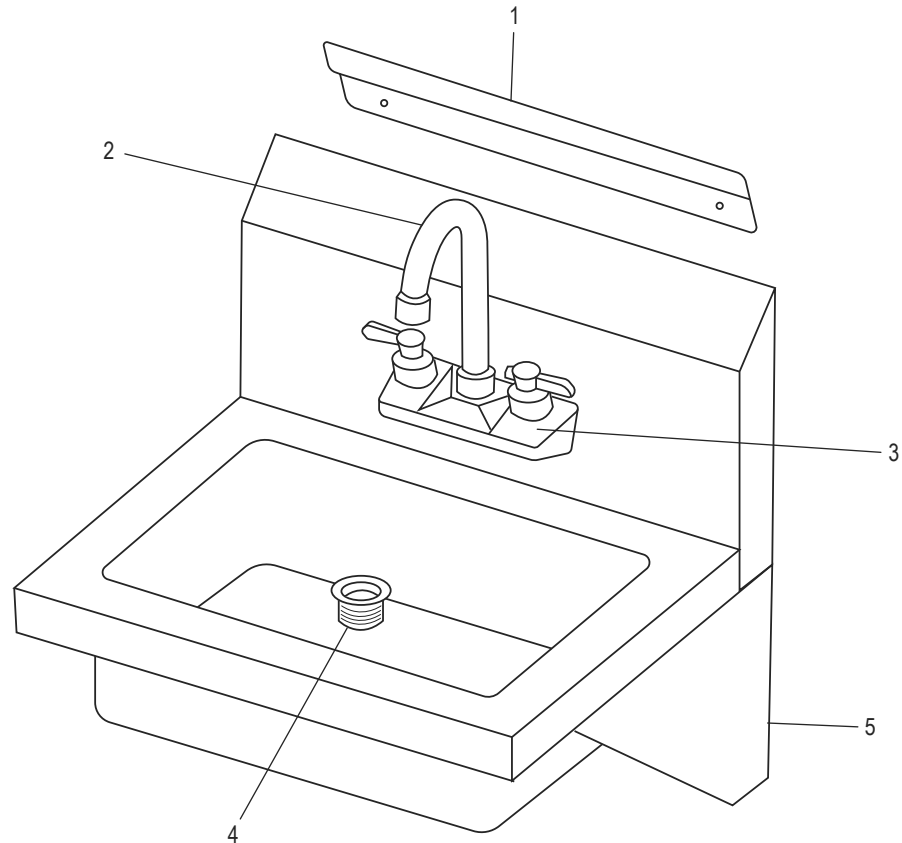
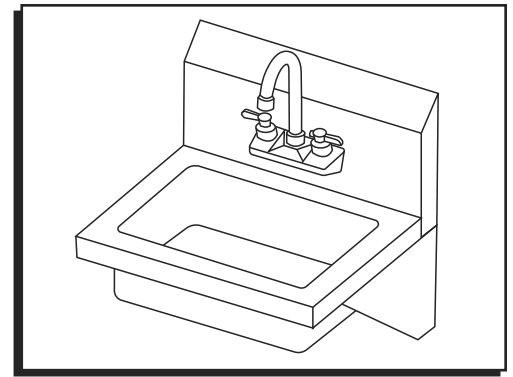
1-800-295-5510
uline.com



#	DESCRIPTION	QTY.	ULINE PART NO.	MFG. PART NO.
1	Mounting Clip	1	H-11731	HSC-17
2	Faucet	1	H-11728	FW-4-4GA
3	Faucet Deck	1	H-11729	HK-B
4	Drain Basket	1	H-11727	DB-1.5
5	Side Support Bracket	2	H-11730	HSBR

ULINE H-11726
TARJA DE ACERO
INOXIDABLE

800-295-5510
 uline.mx



#	DESCRIPCIÓN	CANT.	NO. DE PARTE DE ULINE	NO. DE PARTE DEL FABRICANTE
1	Clip de Instalación	1	H-11731	HSC-17
2	Llave	1	H-11728	FW-4-4GA
3	Placa para Llave	1	H-11729	HK-B
4	Canasta de Desagüe	1	H-11727	DB-1.5
5	Abrazadera de Soporte Lateral	2	H-11730	HSBR

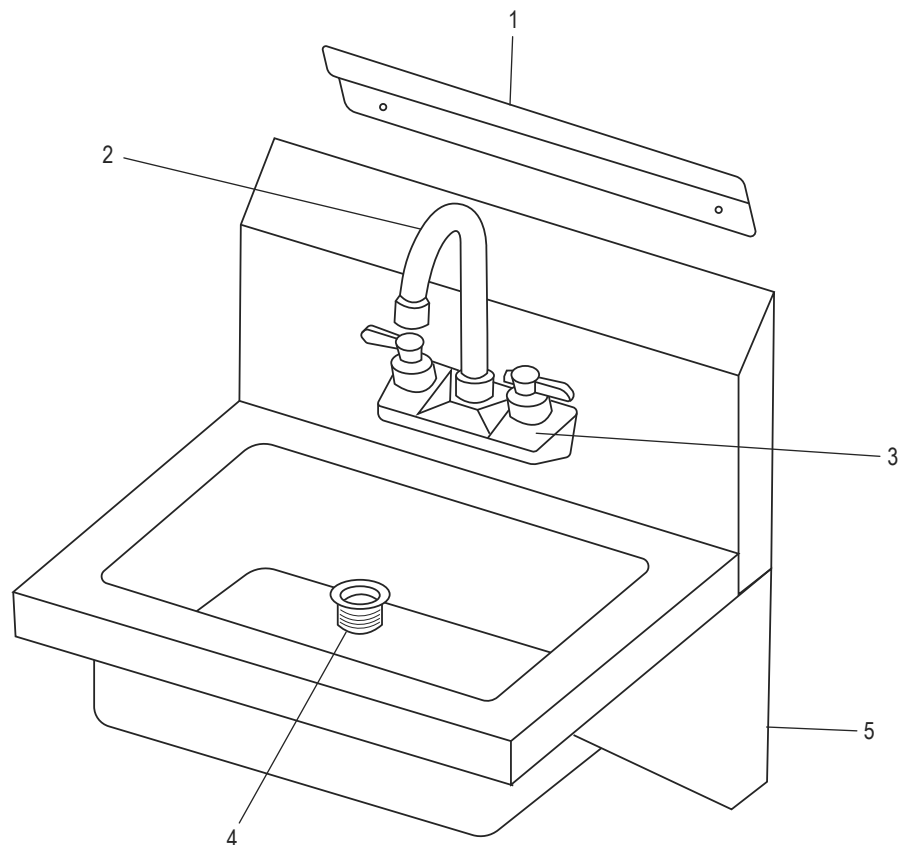
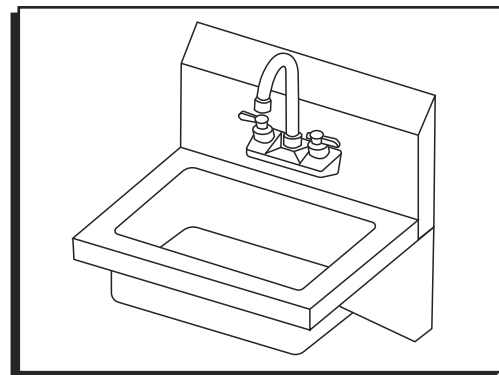
ULINE H-11726

ÉVIER DE LAVAGE

DES MAINS EN ACIER INOXYDABLE

1 800 295-5510

uline.ca



#	DESCRIPTION	QTÉ	RÉF. ULINE	RÉF. DU FABRICANT
1	Plaque de fixation	1	H-11731	HSC-17
2	Robinet	1	H-11728	FW-4-4GA
3	Support de robinet	1	H-11729	HK-B
4	Crépine	1	H-11727	DB-1.5
5	Support de fixation latéral	2	H-11730	HSBR