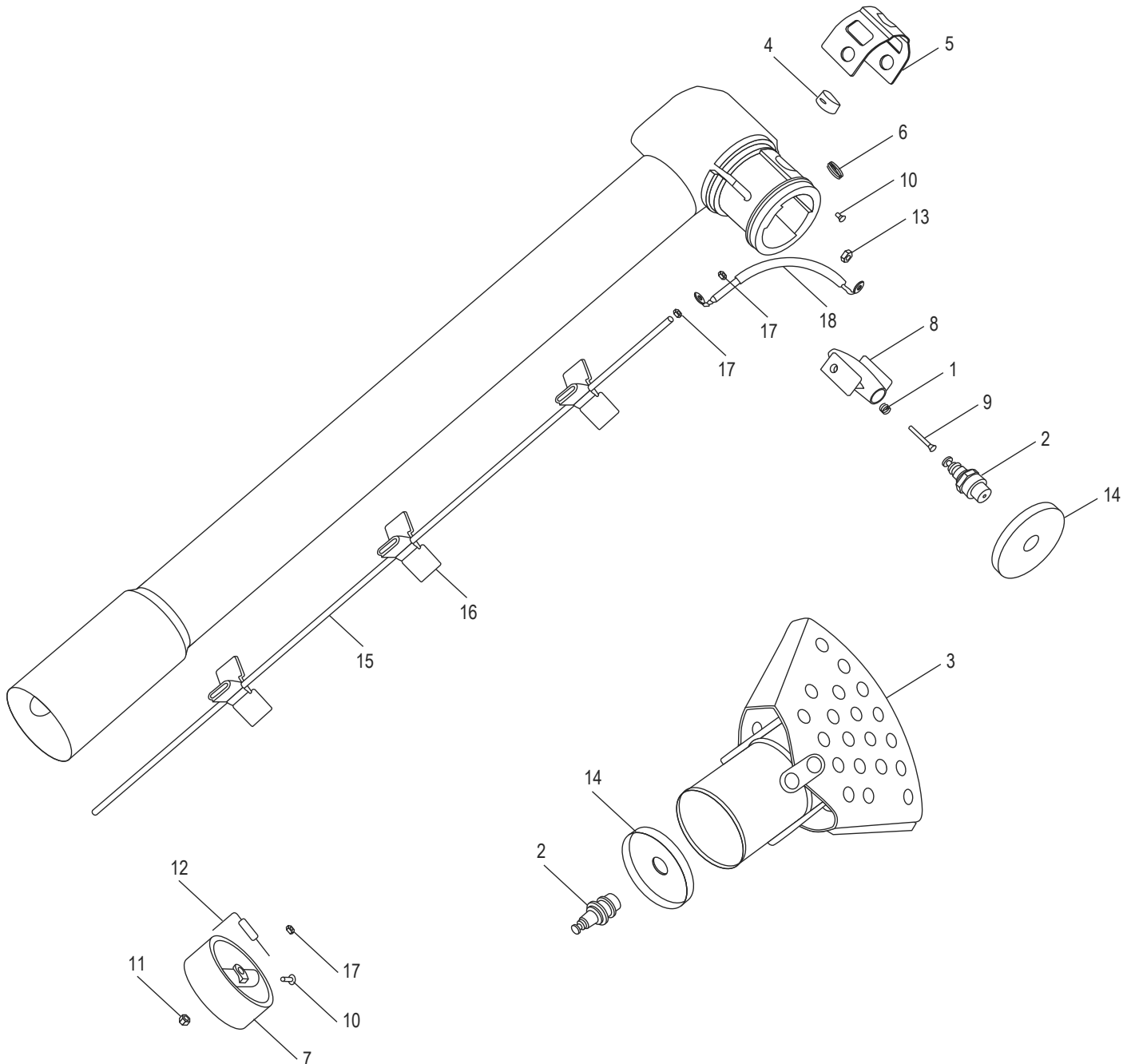
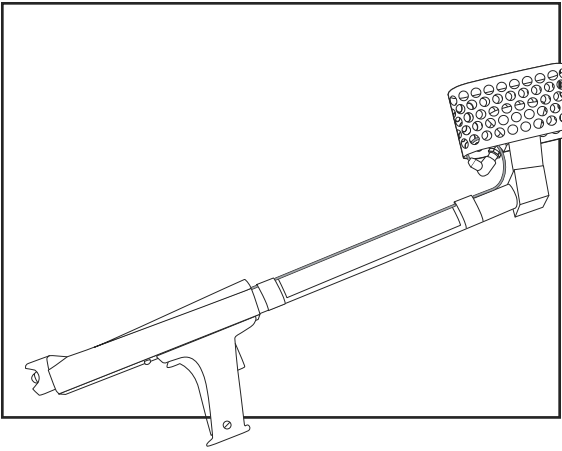


Para Español, vea páginas 3-4.
Pour le français, consulter les pages 5-6.

ULINE H-1303

6' EXTENSION FOR SHRINKFAST™ #998 HEAT GUN

1-800-295-5510
uline.com



ULINE H-1303
6' EXTENSION
FOR SHRINKFAST™
#998 HEAT GUN

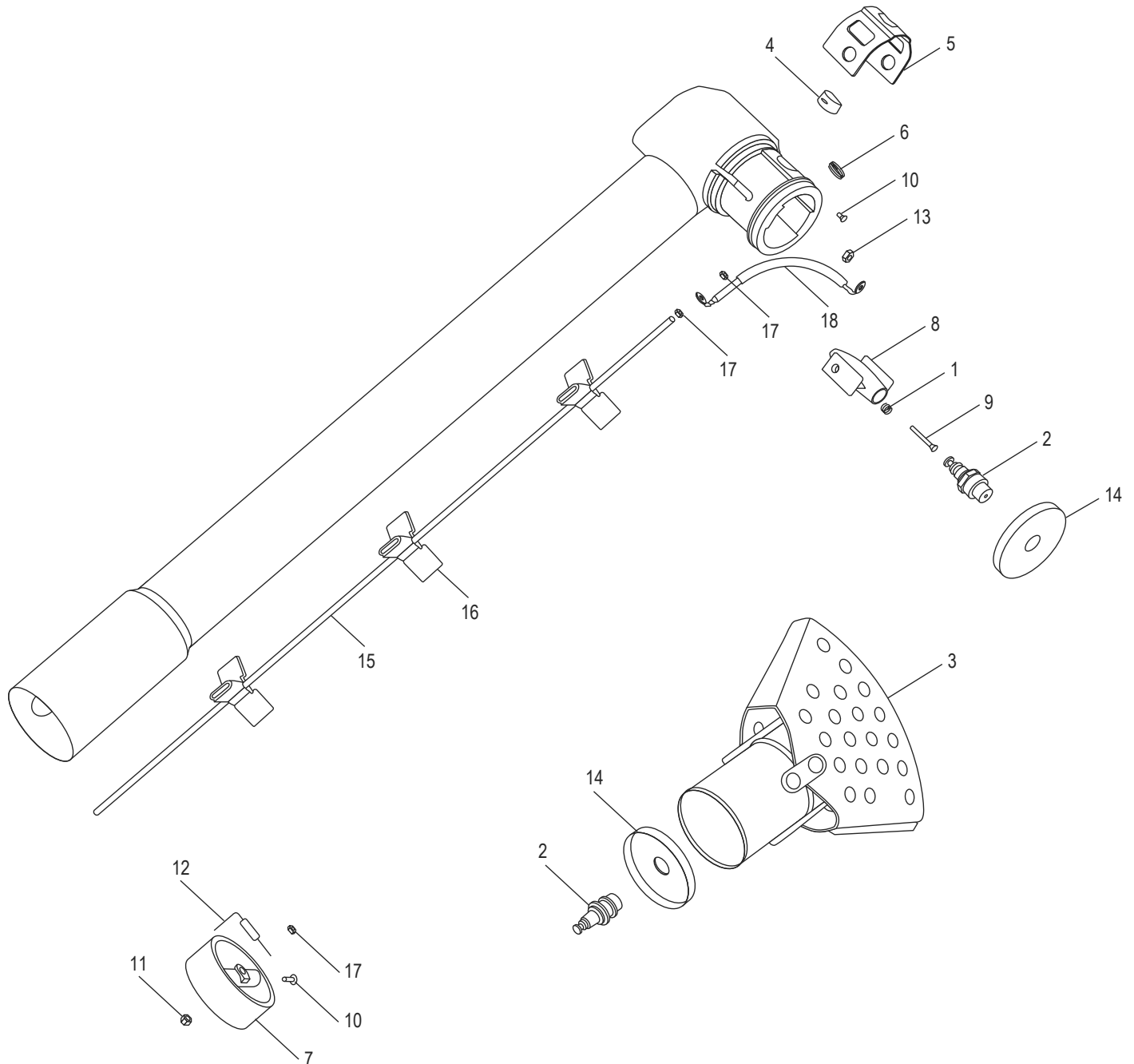
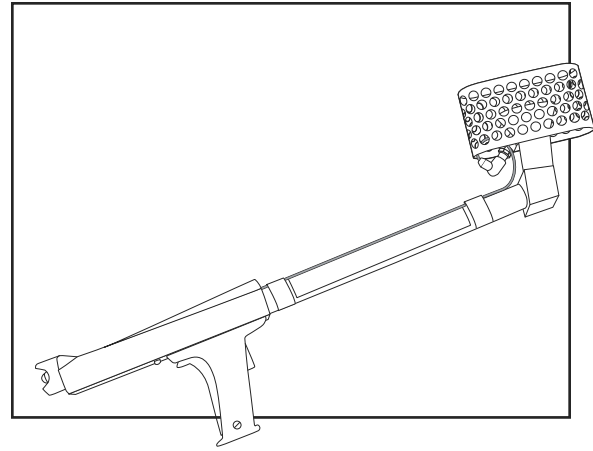
1-800-295-5510
 uline.com

| # | DESCRIPTION | QTY. | ULINE PART NO. | MFG. PART NO. |
|----|---|------|----------------|---------------|
| 1 | Contact Spring | 1 | H-950-SPRING | 19026A |
| 2 | Spark Plug | 1 | H-950-PLUG | 190280 |
| 3 | Combustor | 1 | H-950-CMBSTR | 190300 |
| 4 | Button | 1 | H-950-31 | 190310 |
| 5 | Strap | 1 | H-950-PART34 | 190340 |
| 6 | Button Spring | 1 | H-950-35 | 190350 |
| 7 | Contact Base | 1 | H-1303-7 | 190630 |
| 8 | Socket | 1 | H-1302SOCKET | 190670 |
| 9 | 4-40 x 3/4", S/S Contact Screw | 1 | H-1303-9 | 190690 |
| 10 | 10-32 x 3/8" Screw Set | 1 | ----- | 190780 |
| 11 | 6-32 Hex Cap Nut Brass | 1 | H-1302-11 | 190800 |
| 12 | Resistor | 1 | H-1303-12 | 190810 |
| 13 | 4-40 S/S Nut | 1 | H-1302-13 | 190820 |
| 14 | Screen | 1 | H-950-SCREEN | 190830 |
| 15 | Contact Assembly | 1 | H-1303-15 | 198840 |
| 16 | Plastic, 3 Pointer Spacer | 3 | H-1303-16 | 190870 |
| 17 | 6-32 Hex Nut | 3 | H-1303-18 | 190890 |
| 18 | Silicone Wire | 1 | ----- | 19076A |
| | O-Ring (Not Shown) | 1 | H-950-190330 | 190330 |
| | 6-32 x 1" Phillips Pan Head Screw (Not Shown) | 1 | ----- | 190620 |

ULINE H-1303

**EXTENSIÓN DE 6' PARA
SHRINKFAST™ PISTOLA
DE CALOR #998**

800-295-5510
uline.mx



ULINE H-1303**EXTENSIÓN DE 6' PARA
SHRINKFAST™ PISTOLA
DE CALOR #998****800-295-5510**

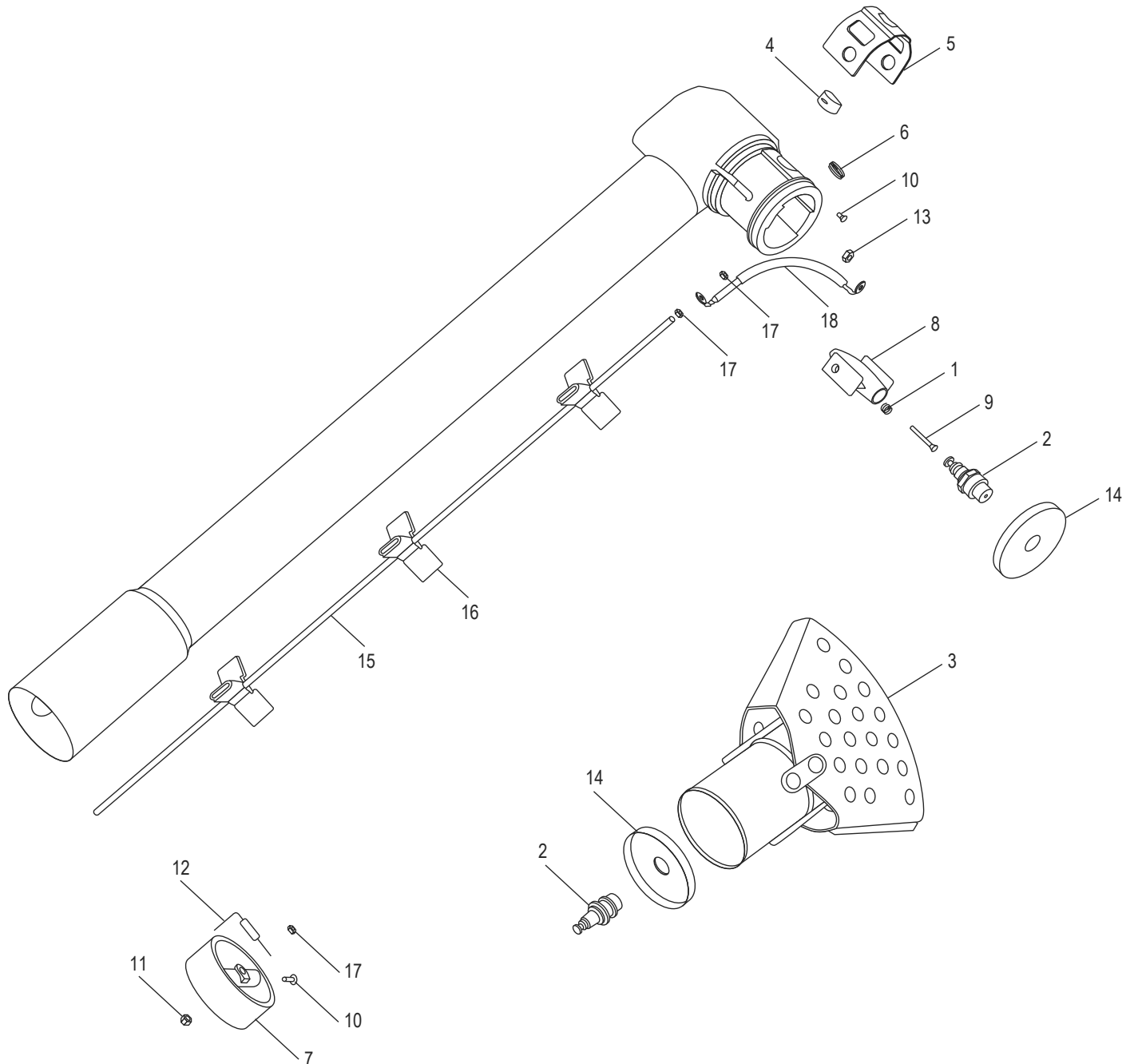
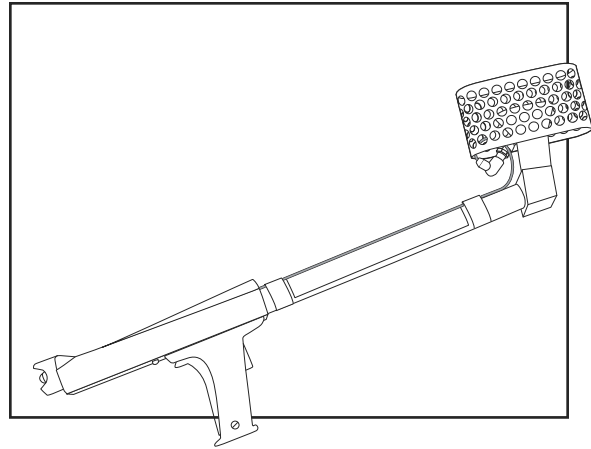
uline.mx

| # | DESCRIPCIÓN | CANT. | NO. DE PARTE DE ULINE | NO. DE PARTE DEL FABRICANTE |
|----|--|-------|-----------------------|-----------------------------|
| 1 | Resorte de Contacto | 1 | H-950-SPRING | 19026A |
| 2 | Bujía | 1 | H-950-PLUG | 190280 |
| 3 | Cámara de Combustión | 1 | H-950-CMBSTR | 190300 |
| 4 | Botón | 1 | H-950-31 | 190310 |
| 5 | Correa | 1 | H-950-PART34 | 190340 |
| 6 | Resorte del Botón | 1 | H-950-35 | 190350 |
| 7 | Base de Contacto | 1 | H-1303-7 | 190630 |
| 8 | Orificio | 1 | H-1302SOCKET | 190670 |
| 9 | Tornillo de Contacto S/S, 4-40 x 3/4" | 1 | H-1303-9 | 190690 |
| 10 | Tornillo de Ajuste de 10-32 x 3/8" | 1 | ----- | 190780 |
| 11 | Tuerca de Tapón Hexagonal de Latón de 6-32 | 1 | H-1302-11 | 190800 |
| 12 | Resistor | 1 | H-1303-12 | 190810 |
| 13 | Tuerca S/S de 4-40 | 1 | H-1302-13 | 190820 |
| 14 | Pantalla | 1 | H-950-SCREEN | 190830 |
| 15 | Ensamble de Contacto | 1 | H-1303-15 | 198840 |
| 16 | Espaciador de 3 Puntas, Plástico | 3 | H-1303-16 | 190870 |
| 17 | Tuerca Hexagonal de 6-32 | 3 | H-1303-18 | 190890 |
| 18 | Cable de Silicón | 1 | ----- | 19076A |
| | Anillo-O (No se Muestra) | 1 | H-950-190330 | 190330 |
| | Tornillo de Cruz con Cabeza Alomada 6-32 x 1" (No se Muestra) | 1 | ----- | 190620 |

ULINE H-1303

**RALLONGE POUR PISTOLET
THERMIQUE SHRINKFAST^{MC}
N° 998 – 6 PI**

1-800-295-5510
uline.ca



ULINE H-1303**RALLONGE POUR PISTOLET
THERMIQUE SHRINKFAST^{MC}****N° 998 – 6 PI****1-800-295-5510**

uline.ca

| # | DESCRIPTION | QTÉ | RÉF. ULINE | RÉF. DU FABRICANT |
|----|--|-----|--------------|-------------------|
| 1 | Ressort de contact | 1 | H-950-SPRING | 19026A |
| 2 | Bougie d'allumage | 1 | H-950-PLUG | 190280 |
| 3 | Chambre de combustion | 1 | H-950-CMBSTR | 190300 |
| 4 | Bouton | 1 | H-950-31 | 190310 |
| 5 | Courroie | 1 | H-950-PART34 | 190340 |
| 6 | Ressort de bouton | 1 | H-950-35 | 190350 |
| 7 | Base de contact | 1 | H-1303-7 | 190630 |
| 8 | Emboîture | 1 | H-1302SOCKET | 190670 |
| 9 | Vis de contact en acier inoxydable 4-40 de 3/4 po | 1 | H-1303-9 | 190690 |
| 10 | Vis de réglage 10-32 de 3/8 po | 1 | ----- | 190780 |
| 11 | Écrou borgne hexagonal 6-32 en laiton | 1 | H-1302-11 | 190800 |
| 12 | Résistance | 1 | H-1303-12 | 190810 |
| 13 | Écrou 4-40 en acier inoxydable | 1 | H-1302-13 | 190820 |
| 14 | Pare-feu | 1 | H-950-SCREEN | 190830 |
| 15 | Ensemble de contact | 1 | H-1303-15 | 198840 |
| 16 | Cale d'espacement en plastique pour tube (3) | 3 | H-1303-16 | 190870 |
| 17 | Écrou hexagonal 6-32 | 3 | H-1303-18 | 190890 |
| 18 | Fil de silicone | 1 | ----- | 19076A |
| | Joint torique (non illustré) | 1 | H-950-190330 | 190330 |
| | Vis à tête cylindrique bombée cruciforme 6-32 x 1 po (non illustrée) | 1 | ----- | 190620 |