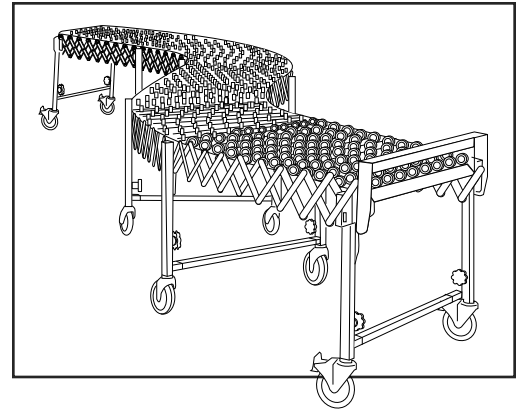
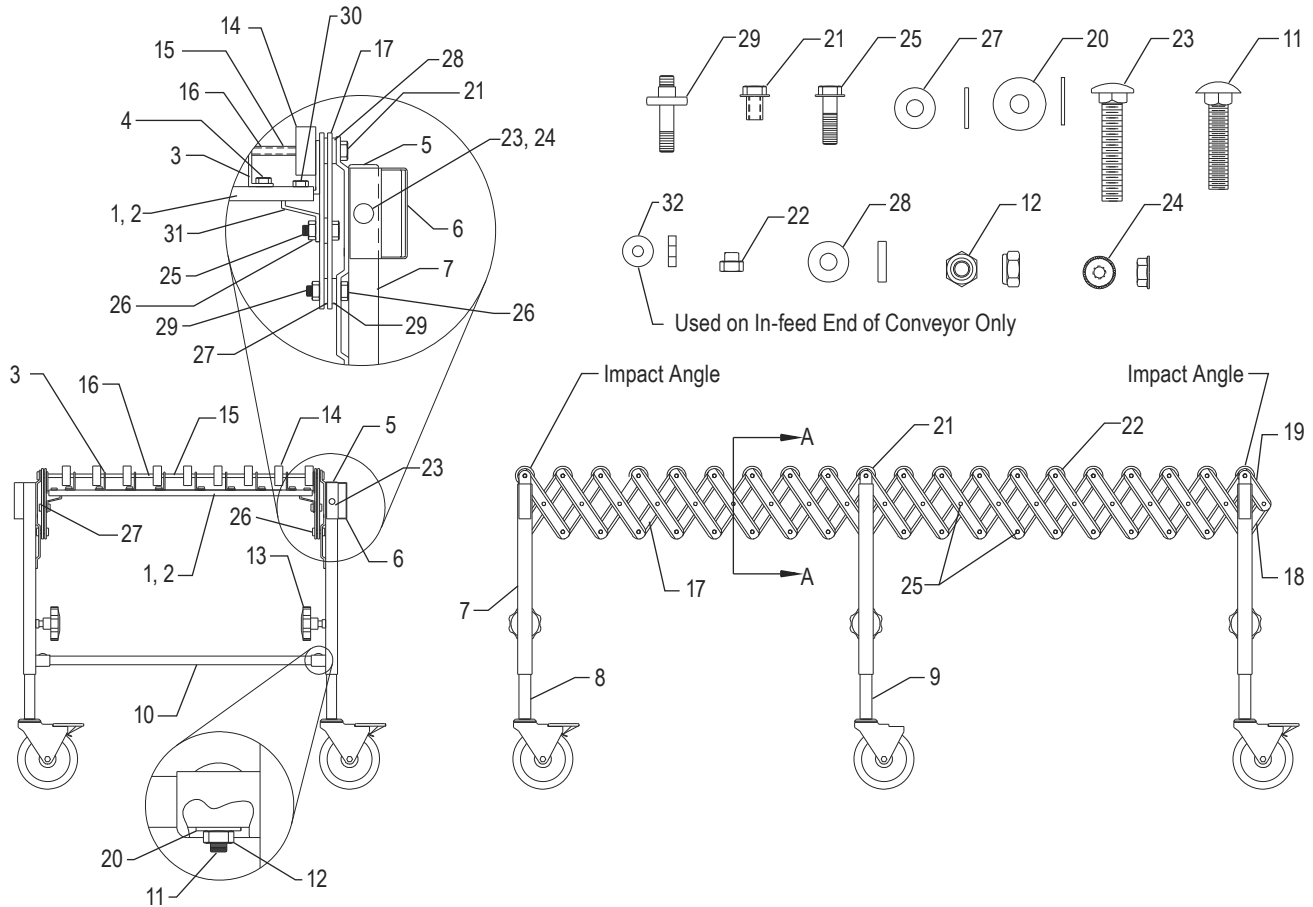


**ULINE** H-1394, H-1395, H-1396  
 H-1397, H-3859, H-3860  
**BEST® EXPANDABLE  
 CONVEYOR**

1-800-295-5510  
 uline.com



**PARTS DIAGRAM**



**PARTS LIST**

| # | DESCRIPTION                         | ULINE PART NO.               | MFG. PART NO. |
|---|-------------------------------------|------------------------------|---------------|
| 1 | 18" Impact Angle                    | <a href="#">H-1397-IA18</a>  | 60556-18      |
| 1 | 24" Impact Angle                    | <a href="#">H-1397-IA24</a>  | 60556-24      |
| 1 | 30" Impact Angle                    | <a href="#">H-3860-IA30</a>  | 60556-30      |
| 2 | 18" Angle                           | -----                        | 60256-18      |
| 2 | 24" Angle                           | <a href="#">H-1397-AR24</a>  | 60256-24      |
| 2 | 30" Angle                           | <a href="#">H-3860-A30</a>   | 60256-30      |
| 3 | Axle Support                        | <a href="#">H-1397-AXSPQ</a> | 60258         |
| 4 | Self Tapping Screw – 1/4"-20 x 3/4" | -----                        | 10531         |
| 5 | Leg Cap – 1 1/4" sq. x 14ga         | <a href="#">H-1396-5</a>     | 14070         |
| 6 | Handle Weldment                     | <a href="#">H-1397-WLDMT</a> | 04002         |

**ULINE** H-1394, H-1395, H-1396  
H-1397, H-3859, H-3860  
**BEST® EXPANDABLE  
CONVEYOR**

1-800-295-5510  
uline.com

PARTS LIST CONTINUED

| #  | DESCRIPTION                                  | ULINE PART NO.               | MFG. PART NO. |
|----|--|------------------------------|---------------|
| 7  | Upper Leg Weldment 21"-5"                    | <a href="#">H-1396-UPRLG</a> | 04950-21      |
| 7  | Upper Leg Weldment 21"-4"                    | -----                        | 04940-21      |
| 7  | Upper Leg Weldment 21"-3"                    | -----                        | 04930-21      |
| 8  | Inner Leg Assembly w/ Brake Caster           | <a href="#">H-1396-CASTB</a> | 06713-TLC5    |
| 9  | Inner Leg Assembly Non-Brake Caster          | <a href="#">H-1396-CAST</a>  | 06714-CNB5    |
| 10 | Cross Tube 1" sq. 18" long, 14ga             | <a href="#">H-8893</a>       | 60600-18      |
| 10 | Cross Tube 1" sq. 24" long, 14ga             | <a href="#">H-1397-CT24</a>  | 60600-24      |
| 10 | Cross Tube 1" sq. 30" long, 14ga             | <a href="#">H-3860-CT30</a>  | 60600-30      |
| 11 | Carriage Bolt 5/16"-18 x 1 3/4"              | <a href="#">H-1396-BOLT</a>  | 10577         |
| 12 | Heavy Jam Nut 5/16"-18 Nylon                 | <a href="#">H-1396-NUT</a>   | 11701         |
| 13 | Adjustment Knob                              | <a href="#">H-1396-AKNOB</a> | 12291         |
| 14 | Steel Skatewheel 1 5/8" OD                   | <a href="#">H-1397-SSKW</a>  | 50080         |
| 15 | Axle, 1/4 x 18"                              | <a href="#">H-1397-18AX</a>  | 95712         |
| 15 | Axle, 1/4 x 24"                              | <a href="#">H-1397-AXLE</a>  | 95710         |
| 15 | Axle, 1/4 x 30"                              | <a href="#">H-3860-AXLE</a>  | 95714         |
| 16 | Black PP Spacer 3/8 x 1.7625" (18" Wide)     | <a href="#">H-1395-SPCR</a>  | 12492         |
| 16 | Black PP Spacer 3/8 x 1 7/8" (24 & 30" Wide) | <a href="#">H-3859-SPACR</a> | 12480         |
| 16 | Black PP Spacer 3/8 x 1 7/8" (24" Wide)      | <a href="#">H-1397-PP24</a>  | 12496         |
| 16 | Black PP Spacer 3/8 x 2 3/16" (30" Wide)     | -----                        | 12483         |
| 17 | Side Bar, 1 1/4 x 8 5/8"                     | <a href="#">H-1397-60286</a> | 60286         |
| 18 | Lower Side Bar, 1 1/4 x 4 15/16"             | <a href="#">H-1397-LSB</a>   | 60288         |
| 19 | Upper Side Bar, 1 1/4 x 4 15/16"             | <a href="#">H-1397-USB</a>   | 60287         |
| 20 | Flat Washer, 5/16"                           | <a href="#">H-1396-WSHR</a>  | 12085         |
| 21 | Shoulder Nut, 1/4"-20                        | <a href="#">H-1397-NUT</a>   | 11131         |
| 22 | Nylon Capnut, 1/4"-20                        | <a href="#">H-1397CAPNUT</a> | 11120         |
| 23 | Carriage Bolt, 3/8"-16 x 2"                  | -----                        | 10586         |
| 24 | Serrated Flange Nut, 3/8"-16                 | -----                        | 11490         |
| 25 | Bolt, 5/16"-18 x 0.875"                      | <a href="#">H-8890</a>       | 10552         |
| 26 | Nylon Jam Nut, 5/16"-18                      | <a href="#">H-8891</a>       | 11122         |
| 27 | Nylatron Washer, 3/4" OD x 11/32" ID x 1/16" | <a href="#">H-8892</a>       | 12512         |
| 28 | Nylon Spacer, 3/4" OD x 13/32" ID x 0.200"   | <a href="#">H-1397NSPACE</a> | 12185         |
| 29 | Special Bolt, 5/16 x 3/8"                    | <a href="#">H-1397-BOLT</a>  | 10590         |
| 30 | Self Tapping LH Screw, 1/4"-20 x 3/4"        | -----                        | 10531-1       |
| 31 | End Clip                                     | -----                        | 60675-200     |
| 32 | Spacer 3/4" OD x 17/64" ID x 3/16"           | <a href="#">H-1397-SPACR</a> | 12501         |

**RECOMMENDED SPARE PARTS KIT (NOT SHOWN)**

| DESCRIPTION   | QTY. | ULINE PART NO.               | MFG. PART NO. |
|---|------|------------------------------|---------------|
| B/F 200 Kit Components:                                 | 1    | <a href="#">H-1397-PMKIT</a> | 08002         |
| Side Bar – 1¼ x 8½"                                     | 10   | <a href="#">H-1397-60286</a> | 60286         |
| Lower Side Bar – 1¼ x 4 <sup>15</sup> / <sub>16</sub> " | 2    | <a href="#">H-1397-LSB</a>   | 60288         |
| Upper Side Bar – 1¼ x 4 <sup>15</sup> / <sub>16</sub> " | 2    | <a href="#">H-1397-USB</a>   | 60287         |
| Shoulder Nut – 1/4"-20                                  | 10   | <a href="#">H-1397-NUT</a>   | 11131         |
| Nylon Capnut – 1/4"-20                                  | 30   | <a href="#">H-1397CAPNUT</a> | 11120         |
| Bolt – 5/16"-18 x 0.875"                                | 20   | <a href="#">H-8890</a>       | 10552         |
| Nylon Jam Nut – 5/16"-18                                | 30   | <a href="#">H-8891</a>       | 11122         |
| Nylatron Washer – 3/4" OD x 11/32" ID x 1/16"           | 20   | <a href="#">H-8892</a>       | 12512         |
| Nylon Spacer – 3/4" OD x 13/32" ID x 0.200"             | 10   | <a href="#">H-1397NSPACE</a> | 12185         |
| Special Bolt – 5/16 x 3/8"                              | 6    | <a href="#">H-1397-BOLT</a>  | 10590         |
| Carriage Bolt – 5/16"-18 x 1¼"                          | 4    | <a href="#">H-1396-BOLT</a>  | 10577         |
| Heavy Jam Nut – 5/16"-18 Nylon                          | 4    | <a href="#">H-1396-NUT</a>   | 11701         |
| Flat Washer – 5/16"                                     | 8    | <a href="#">H-1396-WSHR</a>  | 12085         |
| Adjustment Knob   | 2    | <a href="#">H-1396-AKNOB</a> | 12291         |
| HHC Screw – 3/8"-16 x 1"                                | 2    | -----                        | 10042         |
| Bolt SHS Diameter x 3/8"-16                             | 2    | -----                        | 10750         |
| HHC Screw – 3/8"-16 x 1"                                | 2    | -----                        | 10050         |
| Shock Absorber Kit                                      | 1    | <a href="#">H-3859-SHCKQ</a> | 06168-C5BK    |

**RECOMMENDED SPARE PARTS LIST (NOT SHOWN)**

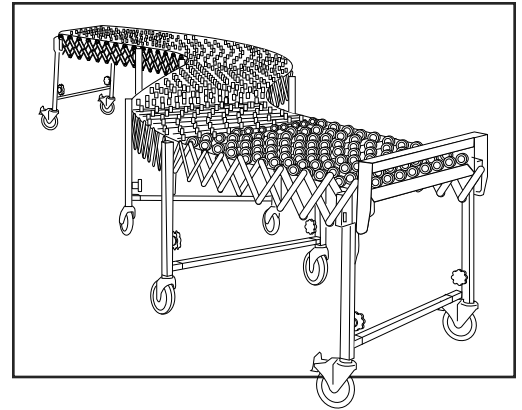
| DESCRIPTION                                   | QTY. | ULINE PART NO.               | MFG. PART NO. |
|---|------|------------------------------|---------------|
| 18" Roller Frame Kit with Steel Skatwheels    | 1    | <a href="#">H-1397-18RFQ</a> | 08003         |
| 18" Roller Frame Kit with Black PP Skatwheels | 1    | -----                        | 08004         |
| 24" Roller Frame Kit with Steel Skatwheels    | 1    | <a href="#">H-1397-24RFQ</a> | 08005         |
| 24" Roller Frame Kit with Black PP Skatwheels | 1    | -----                        | 08006         |
| 30" Roller Frame Kit with Steel Skatwheels    | 1    | <a href="#">H-3859-RFKIT</a> | 08007         |
| 30" Roller Frame Kit with Black PP Skatwheels | 1    | -----                        | 08008         |
| 5" Swivel Caster                              | 1    | <a href="#">H-1396-CAST</a>  | 06714CNB5     |
| 18" Packing Stop                              | 1    | <a href="#">H-1394-STOP</a>  | 06360-18      |
| 24" Packing Stop                              | 1    | <a href="#">H-1397-STOP</a>  | 06360-24      |



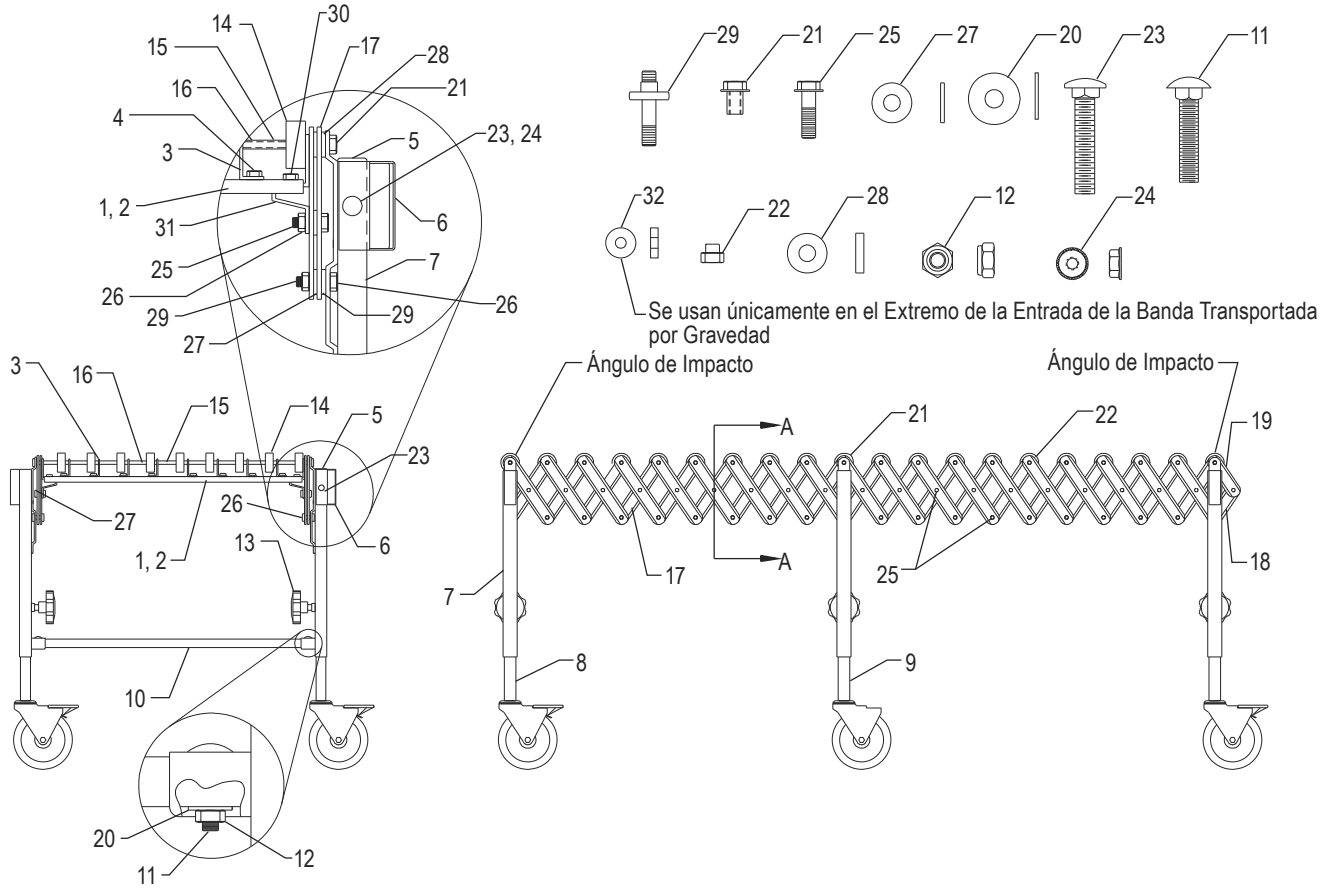
H-1394, H-1395, H-1396  
H-1397, H-3859, H-3860

800-295-5510  
uline.mx

# BEST® BANDA TRANSPORTADORA EXPANSIBLE



## DIAGRAMA DE PARTES



## LISTA DE PARTES

| # | DESCRIPCIÓN                                  | NO. DE PARTE ULINE           | NO. DE PARTE DEL FABRICANTE |
|---|--|------------------------------|-----------------------------|
| 1 | Ángulo de Impacto de 18"                     | <a href="#">H-1397-IA18</a>  | 60556-18                    |
| 1 | Ángulo de Impacto de 24"                     | <a href="#">H-1397-IA24</a>  | 60556-24                    |
| 1 | Ángulo de Impacto de 30"                     | <a href="#">H-3860-IA30</a>  | 60556-30                    |
| 2 | Ángulo de 18"                                | -----                        | 60256-18                    |
| 2 | Ángulo de 24"                                | <a href="#">H-1397-AR24</a>  | 60256-24                    |
| 2 | Ángulo de 30"                                | <a href="#">H-3860-A30</a>   | 60256-30                    |
| 3 | Soporte del Eje                              | <a href="#">H-1397-AXSPQ</a> | 60258                       |
| 4 | Tornillo Autorroscador de 1/4"-20 x 3/4"     | -----                        | 10531                       |
| 5 | Tapa de Pata de 1 1/4" cuad. x 14 de calibre | <a href="#">H-1396-5</a>     | 14070                       |
| 6 | Soldadura del Asa                            | <a href="#">H-1397-WLDMT</a> | 04002                       |

**BEST® BANDA  
TRANSPORTADORA  
EXPANSIBLE**

CONTINUACIÓN DE LISTA DE PARTES

| #  | DESCRIPCIÓN   | NO. DE PARTE ULINE           | NO. DE PARTE DEL FABRICANTE |
|----|---|------------------------------|-----------------------------|
| 7  | Soldadura de la Pata Superior de 21"-5"   | <a href="#">H-1396-UPRLG</a> | 04950-21                    |
| 7  | Soldadura de la Pata Superior de 21"-4"   | -----                        | 04940-21                    |
| 7  | Soldadura de la Pata Superior de 21"-3"   | -----                        | 04930-21                    |
| 8  | Ensamble de la Pata Interior c/Rueda con Freno                                    | <a href="#">H-1396-CASTB</a> | 06713-TLC5                  |
| 9  | Ensamble de la Pata Interior c/Rueda sin Freno                                    | <a href="#">H-1396-CAST</a>  | 06714-CNB5                  |
| 10 | Tubo en Cruz de 1" cuad. 18" de largo, calibre 14                                 | <a href="#">H-8893</a>       | 60600-18                    |
| 10 | Tubo en Cruz de 1" cuad. 24" de largo, calibre 14                                 | <a href="#">H-1397-CT24</a>  | 60600-24                    |
| 10 | Tubo en Cruz de 1" cuad. 30" de largo, calibre 14                                 | <a href="#">H-3860-CT30</a>  | 60600-30                    |
| 11 | Perno de Carro de 5/16"-18 x 1 3/4"   | <a href="#">H-1396-BOLT</a>  | 10577                       |
| 12 | Contratuerca Pesada de Nylon de 5/16"-18  | <a href="#">H-1396-NUT</a>   | 11701                       |
| 13 | Perilla de Ajuste   | <a href="#">H-1396-AKNOB</a> | 12291                       |
| 14 | Rueda de Acero de 1 5/16" Diámetro Exterior                                       | <a href="#">H-1397-SSKW</a>  | 50080                       |
| 15 | Eje, 1/4 x 18"  | <a href="#">H-1397-18AX</a>  | 95712                       |
| 15 | Eje, 1/4 x 24"  | <a href="#">H-1397-AXLE</a>  | 95710                       |
| 15 | Eje, 1/4 x 30"  | <a href="#">H-3860-AXLE</a>  | 95714                       |
| 16 | Separador Negro de Polipropileno de 3/8 x 1.7625"<br>(18" de ancho)               | <a href="#">H-1395-SPCR</a>  | 12492                       |
| 16 | Separador Negro de Polipropileno de 3/8 x 1 7/8"<br>(24 y 30" de ancho)           | <a href="#">H-3859-SPACR</a> | 12480                       |
| 16 | Separador Negro de Polipropileno de 3/8 x 1 1/8"<br>(24" de ancho)                | <a href="#">H-1397-PP24</a>  | 12496                       |
| 16 | Separador Negro de Polipropileno de 3/8 x 2 3/8"<br>(30" de ancho)                | -----                        | 12483                       |
| 17 | Barra Lateral, 1/4 x 8 5/8"   | <a href="#">H-1397-60286</a> | 60286                       |
| 18 | Barra Lateral Inferior, 1/4 x 4 15/16"  | <a href="#">H-1397-LSB</a>   | 60288                       |
| 19 | Barra Lateral Superior, 1/4 x 4 15/16"  | <a href="#">H-1397-USB</a>   | 60287                       |
| 20 | Rondana Plana, 5/16"  | <a href="#">H-1396-WSHR</a>  | 12085                       |
| 21 | Tuerca con Reborde, 1/4"-20   | <a href="#">H-1397-NUT</a>   | 11131                       |
| 22 | Tuerca Domo de Nylon, 1/4"-20   | <a href="#">H-1397CAPNUT</a> | 11120                       |
| 23 | Perno de Carro, 3/8"-16 x 2"  | -----                        | 10586                       |
| 24 | Tuerca con Reborde Serrada, 3/8"-16   | -----                        | 11490                       |
| 25 | Perno, 5/16"-18 x 0.875"  | <a href="#">H-8890</a>       | 10552                       |
| 26 | Contratuerca de Nylon, 5/16"-18   | <a href="#">H-8891</a>       | 11122                       |
| 27 | Rondana de Nylatron, 3/4" Diámetro Exterior x<br>11/32" Diámetro Interior x 1/16" | <a href="#">H-8892</a>       | 12512                       |
| 28 | Separador de Nylon, 3/4" Diámetro Exterior x 13/32"<br>Diámetro Interior x 0.200" | <a href="#">H-1397NSPACE</a> | 12185                       |
| 29 | Perno Especial, 5/16 x 3/8"   | <a href="#">H-1397-BOLT</a>  | 10590                       |
| 30 | Tomillo Autorroscador Izquierdo, 1/4"-20 x 3/4"                                   | -----                        | 10531-1                     |
| 31 | Clip de Extremo   | -----                        | 60675-200                   |
| 32 | Separador de 3/4" Diámetro Exterior x 17/64"<br>Diámetro Interior x 3/16"         | <a href="#">H-1397-SPACR</a> | 12501                       |

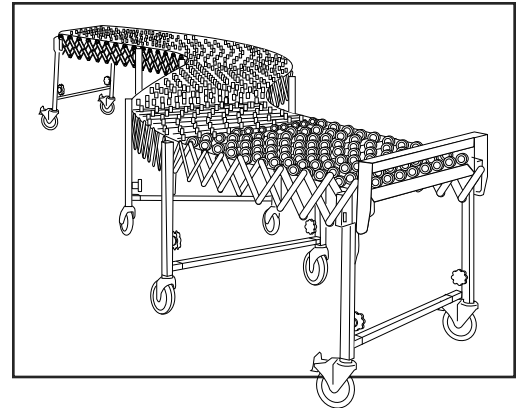
**BEST® BANDA  
TRANSPORTADORA  
EXPANSIBLE**

**KIT DE PARTES DE REPUESTO RECOMENDADAS (NO SE MUESTRA)**

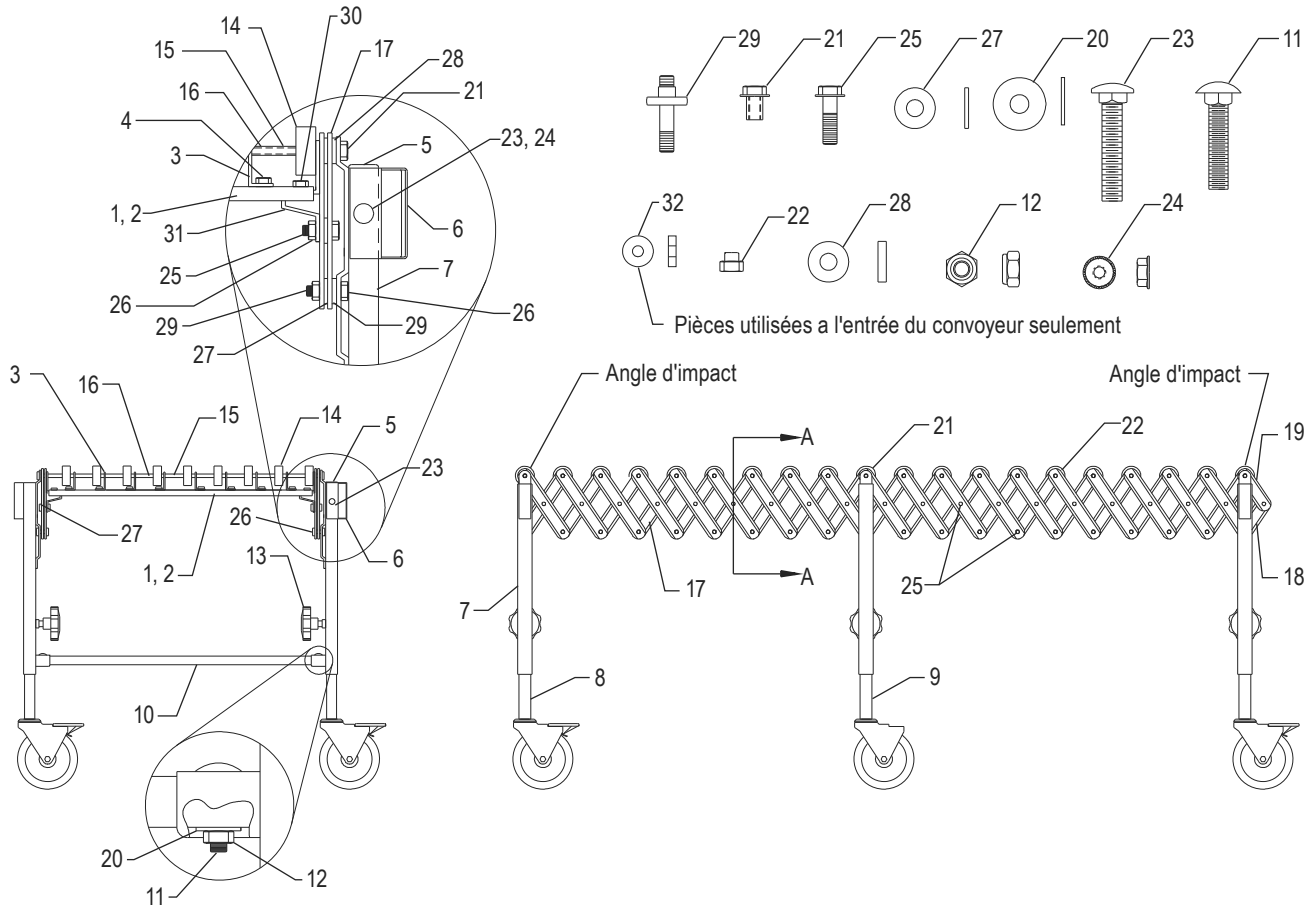
| DESCRIPCIÓN  | CANT. | NO. DE PARTE ULINE           | NO. DE PARTE DEL FABRICANTE |
|--|-------|------------------------------|-----------------------------|
| Componentes del Kit B/F 200:   | 1     | <a href="#">H-1397-PMKIT</a> | 08002                       |
| Barra Lateral de 1¼ x 8⅝"  | 10    | <a href="#">H-1397-60286</a> | 60286                       |
| Barra Lateral Inferior de 1¼ x 4 <sup>15</sup> / <sub>16</sub> "                 | 2     | <a href="#">H-1397-LSB</a>   | 60288                       |
| Barra Lateral Superior de 1¼ x 4 <sup>15</sup> / <sub>16</sub> "                 | 2     | <a href="#">H-1397-USB</a>   | 60287                       |
| Tuerca con Reborde de 1/4"-20  | 10    | <a href="#">H-1397-NUT</a>   | 11131                       |
| Tuerca para Tapa de Nylon de 1/4"-20   | 30    | <a href="#">H-1397CAPNUT</a> | 11120                       |
| Perno de 5/16"-18 x 0.875"   | 20    | <a href="#">H-8890</a>       | 10552                       |
| Contratuerca de Nylon de 5/16"-18  | 30    | <a href="#">H-8891</a>       | 11122                       |
| Rondana de Nylatron de 3/4" Diámetro Exterior x 11/32" Diámetro Interior x 1/16" | 20    | <a href="#">H-8892</a>       | 12512                       |
| Separador de Nylon de 3/4" Diámetro Exterior x 13/32" Diámetro Interior x 0.200" | 10    | <a href="#">H-1397NSPACE</a> | 12185                       |
| Perno Especial de 5/16 x 3/8"  | 6     | <a href="#">H-1397-BOLT</a>  | 10590                       |
| Perno de Carro de 5/16"-18 x 1¾"   | 4     | <a href="#">H-1396-BOLT</a>  | 10577                       |
| Contratuerca Pesada de Nylon de 5/16"-18   | 4     | <a href="#">H-1396-NUT</a>   | 11701                       |
| Rondana Plana de 5/16"   | 8     | <a href="#">H-1396-WSHR</a>  | 12085                       |
| Perilla de Ajuste  | 2     | <a href="#">H-1396-AKNOB</a> | 12291                       |
| Tornillo de Cabeza Hexagonal de 3/8"-16 x 1"                                     | 2     | -----                        | 10042                       |
| Perno de Cabeza Giratoria de Diámetro Pequeño x 3/8"-16                          | 2     | -----                        | 10750                       |
| Tornillo de Cabeza Hexagonal de 3/8"-16 x 1"                                     | 2     | -----                        | 10050                       |
| Kit de Amortiguación   | 1     | <a href="#">H-3859-SHCKQ</a> | 06168-C5BK                  |

**LISTA DE PARTES DE REPUESTO RECOMENDADAS (NO SE MUESTRA)**

| DESCRIPCIÓN   | CANT. | NO. DE PARTE ULINE           | NO. DE PARTE DEL FABRICANTE |
|---|-------|------------------------------|-----------------------------|
| Kit de Armazón de Rodillo de 18" con Ruedas de Acero                | 1     | <a href="#">H-1397-18RFQ</a> | 08003                       |
| Kit de Armazón de Rodillo de 18" con Ruedas Negras de Polipropileno | 1     | -----                        | 08004                       |
| Kit de Armazón de Rodillo de 24" con Ruedas de Acero                | 1     | -----                        | 08005                       |
| Kit de Armazón de Rodillo de 24" con Ruedas Negras de Polipropileno | 1     | -----                        | 08006                       |
| Kit de Armazón de Rodillo de 30" con Ruedas de Acero                | 1     | -----                        | 08007                       |
| Kit de Armazón de Rodillo de 30" con Ruedas Negras de Polipropileno | 1     | -----                        | 08008                       |
| Rueda Giratoria de 5"   | 1     | <a href="#">H-1396-CAST</a>  | 06714CNB5                   |
| Tope de 18" para Paquetes   | 1     | <a href="#">H-1394-STOP</a>  | 06360-18                    |
| Tope de 24" para Paquetes   | 1     | <a href="#">H-1397-STOP</a>  | 06360-24                    |



**SCHÉMA DES PIÈCES**



**LISTE DES PIÈCES**

| # | DESCRIPTION   | RÉF. ULINE                   | RÉF. DU FABRICANT |
|---|---|------------------------------|-------------------|
| 1 | Angle d'impact de 45,7 cm (18 po)                     | <a href="#">H-1397-IA18</a>  | 60556-18          |
| 1 | Angle d'impact de 61 cm (24 po)                       | <a href="#">H-1397-IA24</a>  | 60556-24          |
| 1 | Angle d'impact de 76,2 cm (30 po)                     | <a href="#">H-3860-IA30</a>  | 60556-30          |
| 2 | Angle de 45,7 cm (18 po)                              | -----                        | 60256-18          |
| 2 | Angle de 61 cm (24 po)                                | <a href="#">H-1397-AR24</a>  | 60256-24          |
| 2 | Angle de 76,2 cm (30 po)                              | <a href="#">H-3860-A30</a>   | 60256-30          |
| 3 | Support d'essieu                                      | <a href="#">H-1397-AXSPQ</a> | 60258             |
| 4 | Vis autotaraudeuse de 1/4 po-20 x 3/4 po              | -----                        | 10531             |
| 5 | Embout de patte de 1 1/4 po <sup>2</sup> x calibre 14 | <a href="#">H-1396-5</a>     | 14070             |
| 6 | Assemblage soudé de la poignée                        | <a href="#">H-1397-WLDMT</a> | 04002             |

**BEST<sup>MD</sup> – CONVOYEUR  
EXTENSIBLE**

LISTE DES PIÈCES SUITE

| #  | DESCRIPTION   | RÉF. ULINE                   | RÉF. DU FABRICANT |
|----|---|------------------------------|-------------------|
| 7  | Assemblage soudé de la patte supérieure 21 po-5 po  | <a href="#">H-1396-UPRLG</a> | 04950-21          |
| 7  | Assemblage soudé de la patte supérieure 21 po-4 po  | -----                        | 04940-21          |
| 7  | Assemblage soudé de la patte supérieure 21 po-3 po  | -----                        | 04930-21          |
| 8  | Ensemble de patte interne et roulette avec frein  | <a href="#">H-1396-CASTB</a> | 06713-TLC5        |
| 9  | Ensemble de patte interne et roulette sans frein  | <a href="#">H-1396-CAST</a>  | 06714-CNB5        |
| 10 | Traverse tubulaire de 6,45 cm <sup>2</sup> x 45,7 cm (1 po <sup>2</sup> x 18 po) de long., calibre 14 | <a href="#">H-8893</a>       | 60600-18          |
| 10 | Traverse tubulaire de 6,45 cm <sup>2</sup> x 61 cm (1 po <sup>2</sup> x 24 po) de long., calibre 14   | <a href="#">H-1397-CT24</a>  | 60600-24          |
| 10 | Traverse tubulaire de 6,45 cm <sup>2</sup> 76,2 cm (1 po <sup>2</sup> x 30 po) de long., calibre 14   | <a href="#">H-3860-CT30</a>  | 60600-30          |
| 11 | Boulon de carrosserie de 5/16 po-18 x 1 3/4 po  | <a href="#">H-1396-BOLT</a>  | 10577             |
| 12 | Écrou freiné en nylon robuste de 5/16 po-18   | <a href="#">H-1396-NUT</a>   | 11701             |
| 13 | Bouton de réglage   | <a href="#">H-1396-AKNOB</a> | 12291             |
| 14 | Galet en acier de 4,9 cm (1 5/16 po) de diam. ext.  | <a href="#">H-1397-SSKW</a>  | 50080             |
| 15 | Essieu, 0,6 x 45,7 cm (1/4 x 18 po)   | <a href="#">H-1397-18AX</a>  | 95712             |
| 15 | Essieu, 0,6 x 61 cm (1/4 x 24 po)   | <a href="#">H-1397-AXLE</a>  | 95710             |
| 15 | Essieu, 0,6 x 76,2 cm (1/4 x 30 po)   | <a href="#">H-3860-AXLE</a>  | 95714             |
| 16 | Entretoise en polypropylène noir de 3/8 x 1,7625 po (45,7 cm [18 po] de largeur)                      | <a href="#">H-1395-SPCR</a>  | 12492             |
| 16 | Entretoise en polypropylène noir de 3/8 x 1 7/8 po (61 et 76,2 cm [24 et 30 po] de largeur)           | <a href="#">H-3859-SPACR</a> | 12480             |
| 16 | Entretoise en polypropylène noir de 3/8 x 1 7/16 po (61 cm [24 po] de largeur)                        | <a href="#">H-1397-PP24</a>  | 12496             |
| 16 | Entretoise en polypropylène noir de 3/8 x 2 3/16 po (76,2cm [30 po] de largeur)                       | -----                        | 12483             |
| 17 | Barre latérale, 3,2 x 21,9 cm (1 1/4 x 8 5/8 po)  | <a href="#">H-1397-60286</a> | 60286             |
| 18 | Barre latérale inférieure, 3,2 x 12,5 cm (1 1/4 x 4 15/16 po)   | <a href="#">H-1397-LSB</a>   | 60288             |
| 19 | Barre latérale supérieure, 3,2 x 12,5 cm (1 1/4 x 4 15/16 po)   | <a href="#">H-1397-USB</a>   | 60287             |
| 20 | Rondelle plate, 5/16 po   | <a href="#">H-1396-WSHR</a>  | 12085             |
| 21 | Écrou à épaulement, 1/4 po-20   | <a href="#">H-1397-NUT</a>   | 11131             |
| 22 | Écrou borgne en nylon, 1/4 po-20  | <a href="#">H-1397CAPNUT</a> | 11120             |
| 23 | Boulon de carrosserie, 3/8 po-16 x 2 po   | -----                        | 10586             |
| 24 | Écrou à embase cranté, 3/8 po-16  | -----                        | 11490             |
| 25 | Boulon, 5/16 po-18 x 0,875 po   | <a href="#">H-8890</a>       | 10552             |
| 26 | Écrou freiné en nylon, 5/16 po-18   | <a href="#">H-8891</a>       | 11122             |
| 27 | Rondelle Nylatron, 3/4 po de diam. ext. x 11/32 po de diam. int. x 1/16 po                            | <a href="#">H-8892</a>       | 12512             |
| 28 | Entretoise en nylon, 3/4 po de diam. ext. x 13/32 po de diam. int. x 0,200 po                         | <a href="#">H-1397NSPACE</a> | 12185             |
| 29 | Boulon spécial, 5/16 x 3/8 po   | <a href="#">H-1397-BOLT</a>  | 10590             |
| 30 | Vis autotaraudeuse, côté gauche, 1/4 po-20 x 3/4 po   | -----                        | 10531-1           |
| 31 | Pince d'extrémité   | -----                        | 60675-200         |
| 32 | Entretoise, 3/4 po de diam. ext. x 17/64 po de diam. int. x 3/16 po                                   | <a href="#">H-1397-SPACR</a> | 12501             |



## ENSEMBLE DES PIÈCES DE RECHANGE RECOMMANDÉES (NON ILLUSTRÉ)

| DESCRIPTION   | QTÉ | RÉF. ULINE                   | RÉF. DU FABRICANT |
|---|-----|------------------------------|-------------------|
| Contenu de l'ensemble B/F 200 :   | 1   | <a href="#">H-1397-PMKIT</a> | 08002             |
| Barre latérale de 3,2 x 21,9 cm (1 ¼ x 8 ⅝ po)                                  | 1   | <a href="#">H-1397-60286</a> | 60286             |
| Barre latérale inférieure de 3,2 x 12,5 cm (1 ¼ x 4 ⅝ po)                       | 2   | <a href="#">H-1397-LSB</a>   | 60288             |
| Barre latérale supérieure de 3,2 x 12,5 cm (1 ¼ x 4 ⅝ po)                       | 2   | <a href="#">H-1397-USB</a>   | 60287             |
| Écrou à épaulement de 1/4 po-20   | 1   | <a href="#">H-1397-NUT</a>   | 11131             |
| Écrou borgne en nylon de 1/4 po-20  | 30  | <a href="#">H-1397CAPNUT</a> | 11120             |
| Boulon de 5/16 po-18 x 0,875 po   | 20  | <a href="#">H-8890</a>       | 10552             |
| Écrou freiné en nylon de 5/16 po-18   | 30  | <a href="#">H-8891</a>       | 11122             |
| Rondelle Nylatron de 3/4 po de diam. ext. x 11/32 po de diam. int. x 1/16 po    | 20  | <a href="#">H-8892</a>       | 12512             |
| Entretoise en nylon de 3/4 po de diam. ext. x 13/32 po de diam. int. x 0,200 po | 1   | <a href="#">H-1397NSPACE</a> | 12185             |
| Boulon spécial de 5/16 x 3/8 po   | 6   | <a href="#">H-1397-BOLT</a>  | 10590             |
| Boulon de carrosserie de 5/16 po-18 x 1 ¼ po                                    | 4   | <a href="#">H-1396-BOLT</a>  | 10577             |
| Écrou freiné en nylon robuste de 5/16 po-18                                     | 4   | <a href="#">H-1396-NUT</a>   | 11701             |
| Rondelle plate de 5/16 po   | 8   | <a href="#">H-1396-WSHR</a>  | 12085             |
| Bouton de réglage   | 2   | <a href="#">H-1396-AKNOB</a> | 12291             |
| Vis à tête hexagonale de 3/8 po-16 x 1 po                                       | 2   | -----                        | 10042             |
| Boulon de SHS diamètre x 3/8 po-16  | 2   | -----                        | 10750             |
| Vis à tête hexagonale de 3/8 po-16 x 1 po                                       | 2   | -----                        | 10050             |
| Ensemble du dispositif antichoc   | 1   | <a href="#">H-3859-SHCKQ</a> | 06168-C5BK        |

## LISTE DES PIÈCES DE RECHANGE RECOMMANDÉES (NON ILLUSTRÉ)

| DESCRIPTION  | QTÉ | RÉF. ULINE                   | RÉF. DU FABRICANT |
|--|-----|------------------------------|-------------------|
| Ensemble du cadre avec rouleau de 45,7 cm (18 po) et galets en acier             | 1   | <a href="#">H-1397-18RFQ</a> | 08003             |
| Ensemble du cadre avec rouleau de 45,7 cm (18 po) et galets en polyproylène noir | 1   | -----                        | 08004             |
| Ensemble du cadre avec rouleau de 61 cm (24 po) et galets en acier               | 1   | -----                        | 08005             |
| Ensemble du cadre avec rouleau de 61 cm (24 po) et galets en polyproylène noir   | 1   | -----                        | 08006             |
| Ensemble du cadre avec rouleau de 76,2 cm (30 po) et galets en acier             | 1   | -----                        | 08007             |
| Ensemble du cadre avec rouleau de 76,2 cm (30 po) et galets en polyproylène noir | 1   | -----                        | 08008             |
| Roulette pivotante de 12,7 cm (5 po)   | 1   | <a href="#">H-1396-CAST</a>  | 06714CNB5         |
| Butée de 45,7 cm (18 po)   | 1   | <a href="#">H-1394-STOP</a>  | 06360-18          |
| Butée de 61 cm (24 po)   | 1   | <a href="#">H-1397-STOP</a>  | 06360-24          |