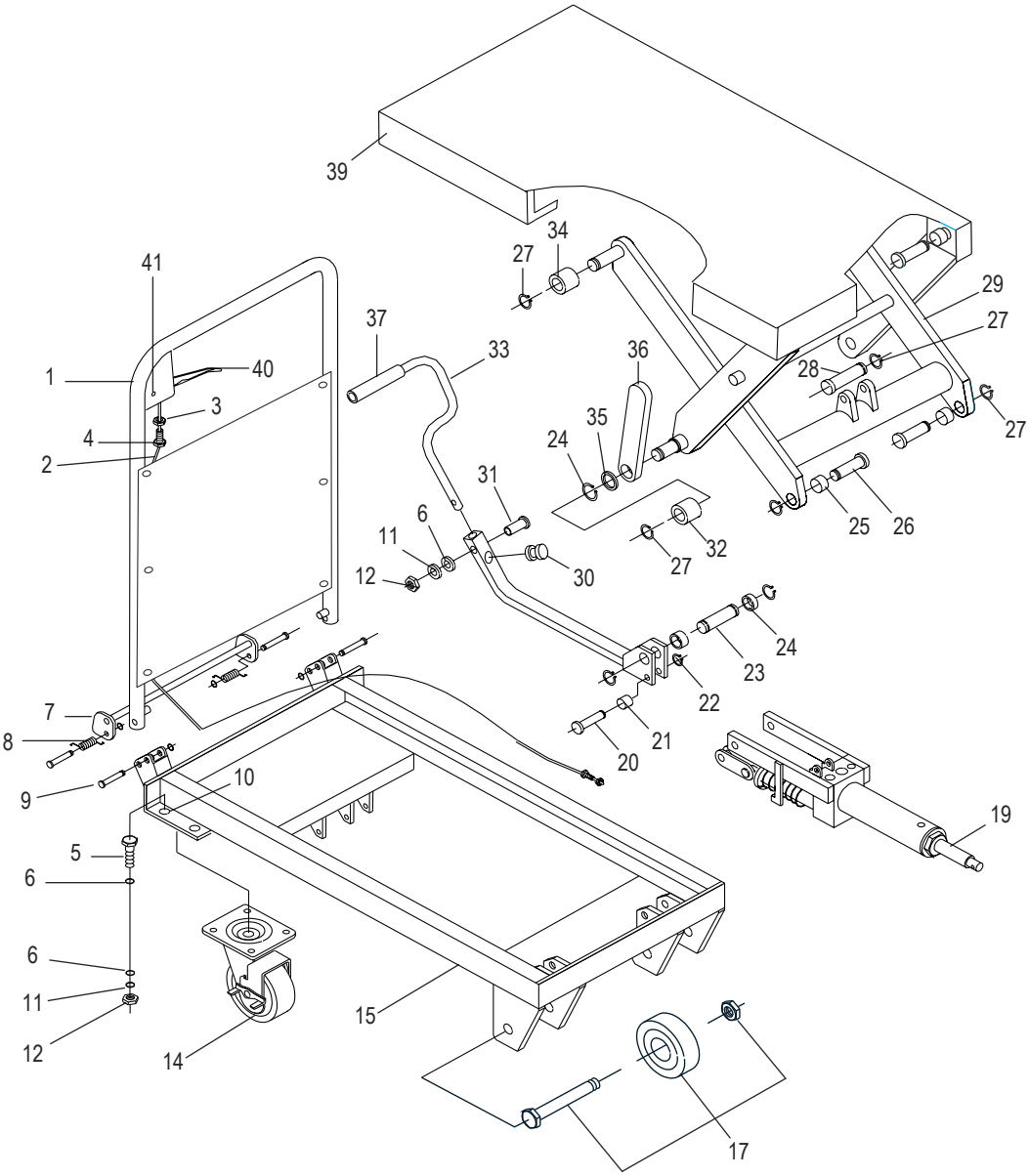


# ULINE H-1485

## MANUAL LIFT TABLE – 27 x 18"

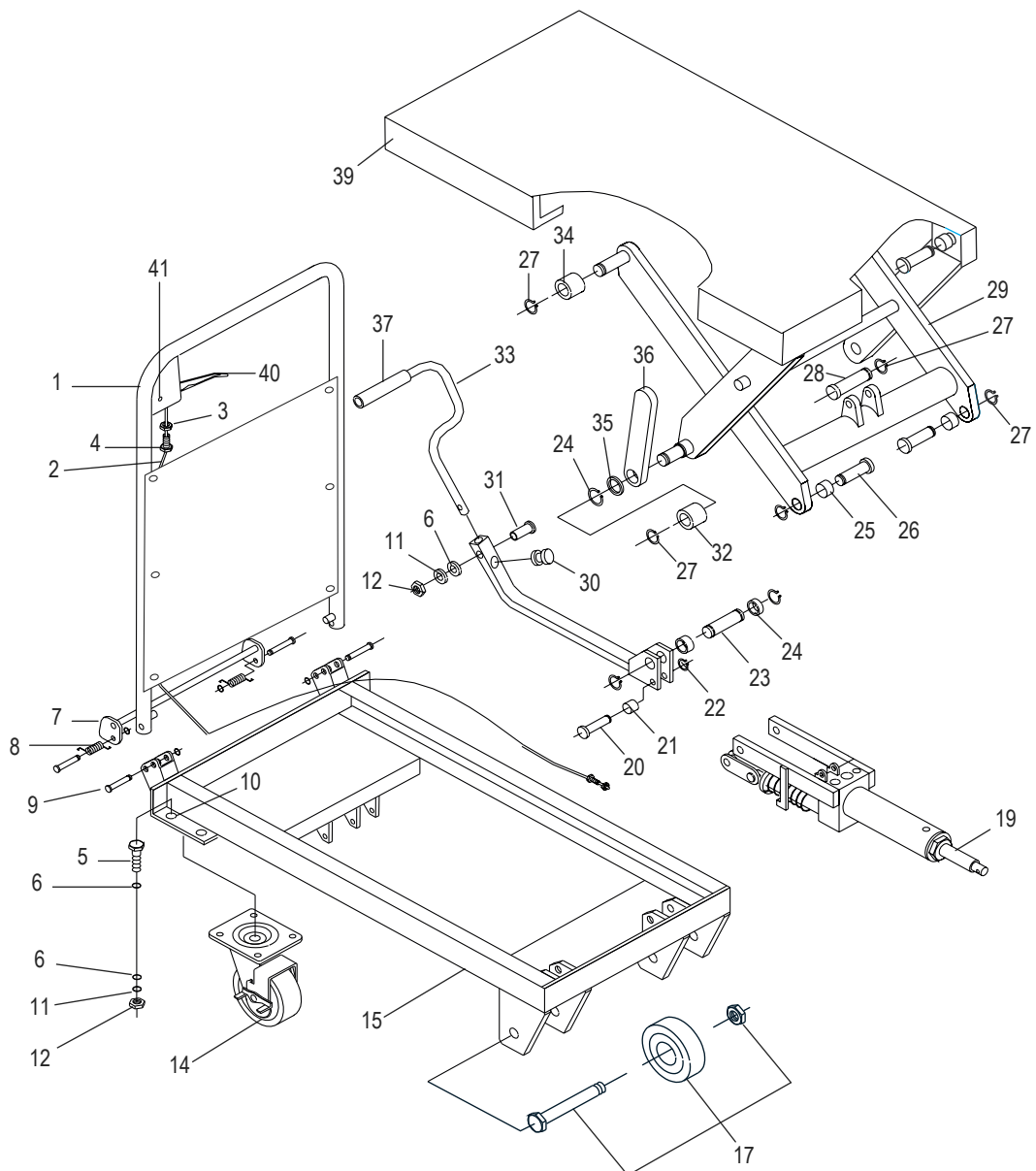
1-800-295-5510  
uline.com



#	DESCRIPTION	QTY.	ULINE PART NO.	MFG. PART NO.
1	Handle Bar	1	-----	SPA150-PT#1
2	Pull Rod	1	<a href="#">H-1485-ROD</a>	SPA150-PT#2
3	Nut	1	<a href="#">H-1486-4</a>	SPA150-PT#3
4	Screw	1	<a href="#">H-1486-5</a>	SPA150-PT#4
5	Bolt	8	-----	SPA150-PT#5
6	Flat Washer	17	-----	SPA150-PT#6
7	Buckle	1	-----	SPA150-PT#7
8	Left Spring	1	<a href="#">H-1485-LSPRI</a>	SPA150-PT#8LEFT
8	Right Spring	1	<a href="#">H-1485-RSPRI</a>	SPA150-PT#8RIGHT
9	Pin	4	-----	SPA150-PT#9
10	Retaining Ring	4	-----	SPA150-PT#10
11	Lockwasher	9	-----	SPA150-PT#11
12	Nut	9	-----	SPA150-PT#12
14	Swivel Caster	2	<a href="#">H-1485SWIVEL</a>	SP150A-PT#17
15	Frame	1	-----	SPA150-PT#18
17	Rigid Wheel Assembly Includes: • Shaft (1) • Rigid Wheel (1) • Nut (1)	2	<a href="#">H-1485RIGID</a>	SP150A-RIGID
19	Pump Unit	1	<a href="#">H-1485-PUMP</a>	SPA150-PT#29
20	Short Shaft	1	<a href="#">H-1783-SHAFT</a>	SPA150-PT#30
21	Bushing	2	<a href="#">H-1783-BUSH</a>	SPA150-PT#31
22	Retaining Ring	1	<a href="#">H-1783-33</a>	SPA150-PT#32
23	Short Shaft	1	-----	SPA150-PT#33
24	Retaining Ring	4	-----	SPA150-PT#34
25	Bushing	4	-----	SPA150-PT#35
26	Pin	4	-----	SPA150-PT#36
27	Retaining Ring	7	-----	SPA150-PT#37
28	Pin	1	-----	SPA150-PT#38
29	Arm	1	-----	SPA150-PT#40
30	Cushion	1	<a href="#">H-1485-CUSHQ</a>	SPA150-PT#41
31	Bolt	1	-----	SPA150-PT#42
32	Roller	2	<a href="#">H-1485-ROL09Q</a>	SPA150-PT#45
33	Foot Pedal	1	-----	SPA150-PT#47
34	Roller	2	<a href="#">H-1485ROL12Q</a>	SPA150-PT#48
35	Washer	2	-----	SPA150-PT#50
36	Support	2	-----	SPA150-PT#51
37	Protecting Cover	1	-----	SP150A-PT#47PC
39	Table	1	<a href="#">H-1485-LIFTB</a>	SPA150-PT#61
40	Hand Lever	1	<a href="#">H-1486-66</a>	SPA150-PT#65
41	Pin	1	<a href="#">H-1486-65</a>	SPA150-PT#66

**ULINE** H-1485  
**MESA DE ELEVACIÓN**  
**MANUAL – 27 X 18"**

800-295-5510  
uline.mx



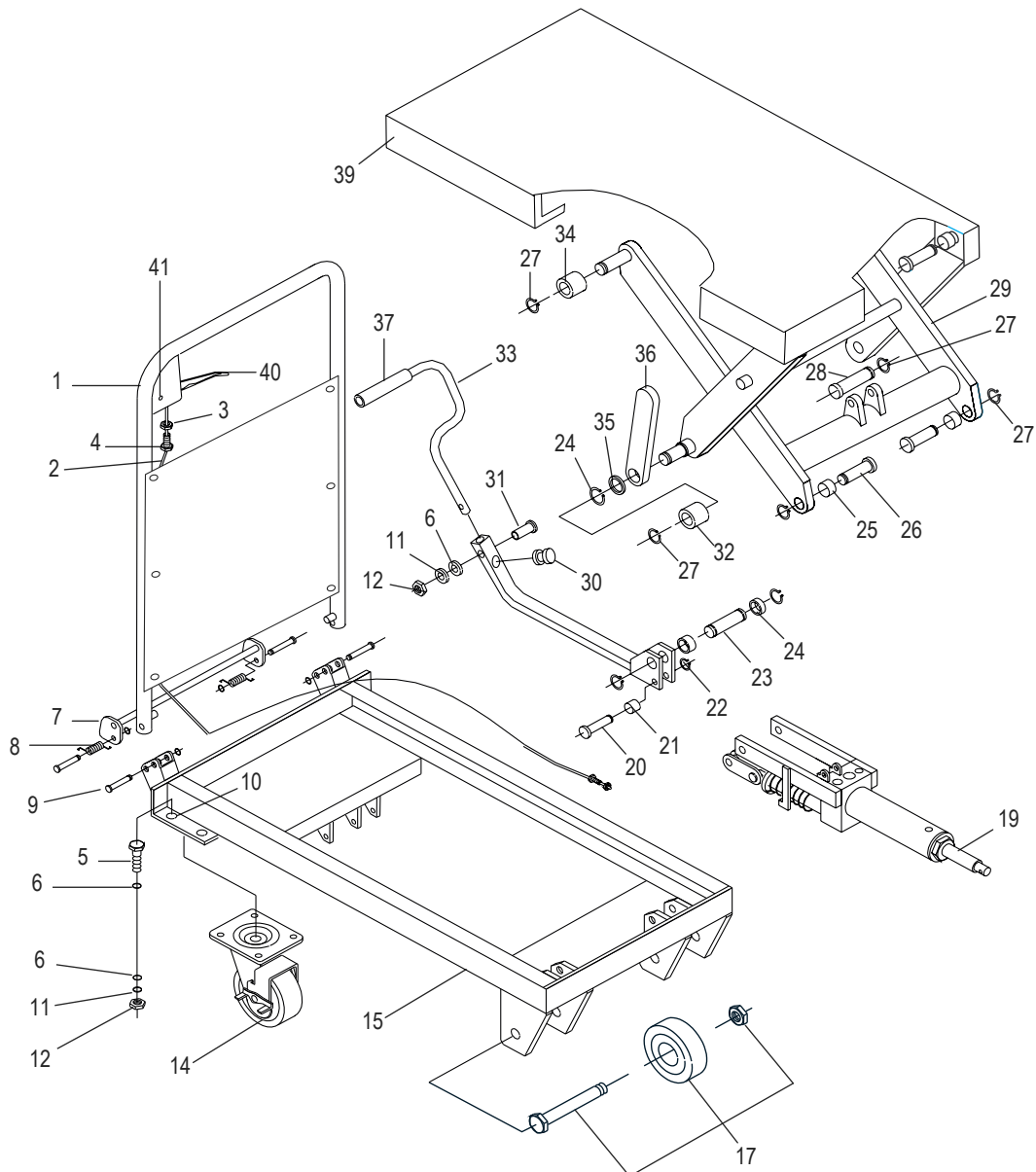
**ULINE H-1485**  
**MESA DE ELEVACIÓN**  
**MANUAL – 27 x 18"**

800-295-5510  
 uline.mx

#	DESCRIPCIÓN	CANT.	NO. DE PARTE DE ULINE	NO. DE PARTE DEL FABRICANTE
1	Barra de Asa	1	-----	SPA150-PT#1
2	Varilla de Apoyo	1	<a href="#">H-1485-ROD</a>	SPA150-PT#2
3	Tuerca	1	<a href="#">H-1486-4</a>	SPA150-PT#3
4	Tornillo	1	<a href="#">H-1486-5</a>	SPA150-PT#4
5	Perno	8	-----	SPA150-PT#5
6	Rondana Plana	17	-----	SPA150-PT#6
7	Hebilla	1	-----	SPA150-PT#7
8	Resorte de la Izquierda	1	<a href="#">H-1485-LSPRI</a>	SPA150-PT#8LEFT
8	Resorte de la Derecha	1	<a href="#">H-1485-RSPRI</a>	SPA150-PT#8RIGHT
9	Clavija	4	-----	SPA150-PT#9
10	Aro de Retención	4	-----	SPA150-PT#10
11	Rondana de Seguridad	9	-----	SPA150-PT#11
12	Tuerca	9	-----	SPA150-PT#12
14	Rueda Giratoria	2	<a href="#">H-1485SWIVEL</a>	SP150A-PT#17
15	Armazón	1	-----	SPA150-PT#18
17	Ensamble del Rueda Rígida Incluye: • 1 Eje • 1 Rueda Rígida • 1 Tuerca	2	<a href="#">H-1485RIGID</a>	SP150A-RIGID
19	Unidad de Bomba	1	<a href="#">H-1485-PUMP</a>	SPA150-PT#29
20	Eje Corto	1	<a href="#">H-1783-SHAFT</a>	SPA150-PT#30
21	Casquillo	2	<a href="#">H-1783-BUSH</a>	SPA150-PT#31
22	Aro de Retención	1	<a href="#">H-1783-33</a>	SPA150-PT#32
23	Eje Corto	1	-----	SPA150-PT#33
24	Aro de Retención	4	-----	SPA150-PT#34
25	Casquillo	4	-----	SPA150-PT#35
26	Perno	4	-----	SPA150-PT#36
27	Aro de Retención	7	-----	SPA150-PT#37
28	Perno	1	-----	SPA150-PT#38
29	Brazo	1	-----	SPA150-PT#40
30	Acojinado	1	<a href="#">H-1485-CUSHQ</a>	SPA150-PT#41
31	Perno	1	-----	SPA150-PT#42
32	Rodillo	2	<a href="#">H-1485-ROL09Q</a>	SPA150-PT#45
33	Pedal	1	-----	SPA150-PT#47
34	Rodillo	2	<a href="#">H-1485ROL12Q</a>	SPA150-PT#48
35	Rondana	2	-----	SPA150-PT#50
36	SopORTE	2	-----	SPA150-PT#51
37	Cubierta Protectora	1	-----	SP150A-PT#47PC
39	Mesa	1	<a href="#">H-1485-LIFTB</a>	SPA150-PT#61
40	Palanca de Mano	1	<a href="#">H-1486-66</a>	SPA150-PT#65
41	Perno	1	<a href="#">H-1486-65</a>	SPA150-PT#66

**ULINE H-1485**  
**TABLE ÉLÉVATRICE**  
**MANUELLE – 27 x 18 PO**

1 800 295-5510  
uline.ca



**ULINE H-1485**  
**TABLE ÉLÉVATRICE**  
**MANUELLE – 27 x 18 PO**

1 800 295-5510  
 uline.ca

#	DESCRIPTION	QTÉ	RÉF. ULINE	RÉF. DU FABRICANT
1	Poignée	1	-----	SPA150-PT#1
2	Tige de traction	1	<a href="#">H-1485-ROD</a>	SPA150-PT#2
3	Écrou	1	<a href="#">H-1486-4</a>	SPA150-PT#3
4	Vis	1	<a href="#">H-1486-5</a>	SPA150-PT#4
5	Boulon	8	-----	SPA150-PT#5
6	Rondelle plate	17	-----	SPA150-PT#6
7	Boucle	1	-----	SPA150-PT#7
8	Ressort de gauche	1	<a href="#">H-1485-LSPRI</a>	SPA150-PT#8LEFT
8	Ressort de droite	1	<a href="#">H-1485-RSPRI</a>	SPA150-PT#8RIGHT
9	Goupille	4	-----	SPA150-PT#9
10	Bague de retenue	4	-----	SPA150-PT#10
11	Rondelle de blocage	9	-----	SPA150-PT#11
12	Écrou	9	-----	SPA150-PT#12
14	Roulette pivotante	2	<a href="#">H-1485SWIVEL</a>	SP150A-PT#17
15	Cadre	1	-----	SPA150-PT#18
17	Ensemble de la roue fixe Comprend : • Tige (1) • Roue fixe (1) • Écrou (1)	2	<a href="#">H-1485RIGID</a>	SP150A-RIGID
19	Unité de pompe	1	<a href="#">H-1485-PUMP</a>	SPA150-PT#29
20	Tige courte	1	<a href="#">H-1783-SHAFT</a>	SPA150-PT#30
21	Bague	2	<a href="#">H-1783-BUSH</a>	SPA150-PT#31
22	Bague de retenue	1	<a href="#">H-1783-33</a>	SPA150-PT#32
23	Tige courte	1	-----	SPA150-PT#33
24	Bague de retenue	4	-----	SPA150-PT#34
25	Bague	4	-----	SPA150-PT#35
26	Goupille	4	-----	SPA150-PT#36
27	Bague de retenue	7	-----	SPA150-PT#37
28	Goupille	1	-----	SPA150-PT#38
29	Support	1	-----	SPA150-PT#40
30	Amortisseur	1	<a href="#">H-1485-CUSHQ</a>	SPA150-PT#41
31	Boulon	1	-----	SPA150-PT#42
32	Rouleau	2	<a href="#">H-1485-ROL09Q</a>	SPA150-PT#45
33	Levier à pied	1	-----	SPA150-PT#47
34	Rouleau	2	<a href="#">H-1485ROL12Q</a>	SPA150-PT#48
35	Rondelle	2	-----	SPA150-PT#50
36	Support	2	-----	SPA150-PT#51
37	Couvercle protecteur	1	-----	SP150A-PT#47PC
39	Table	1	<a href="#">H-1485-LIFTB</a>	SPA150-PT#61
40	Levier à main	1	<a href="#">H-1486-66</a>	SPA150-PT#65
41	Goupille	1	<a href="#">H-1486-65</a>	SPA150-PT#66