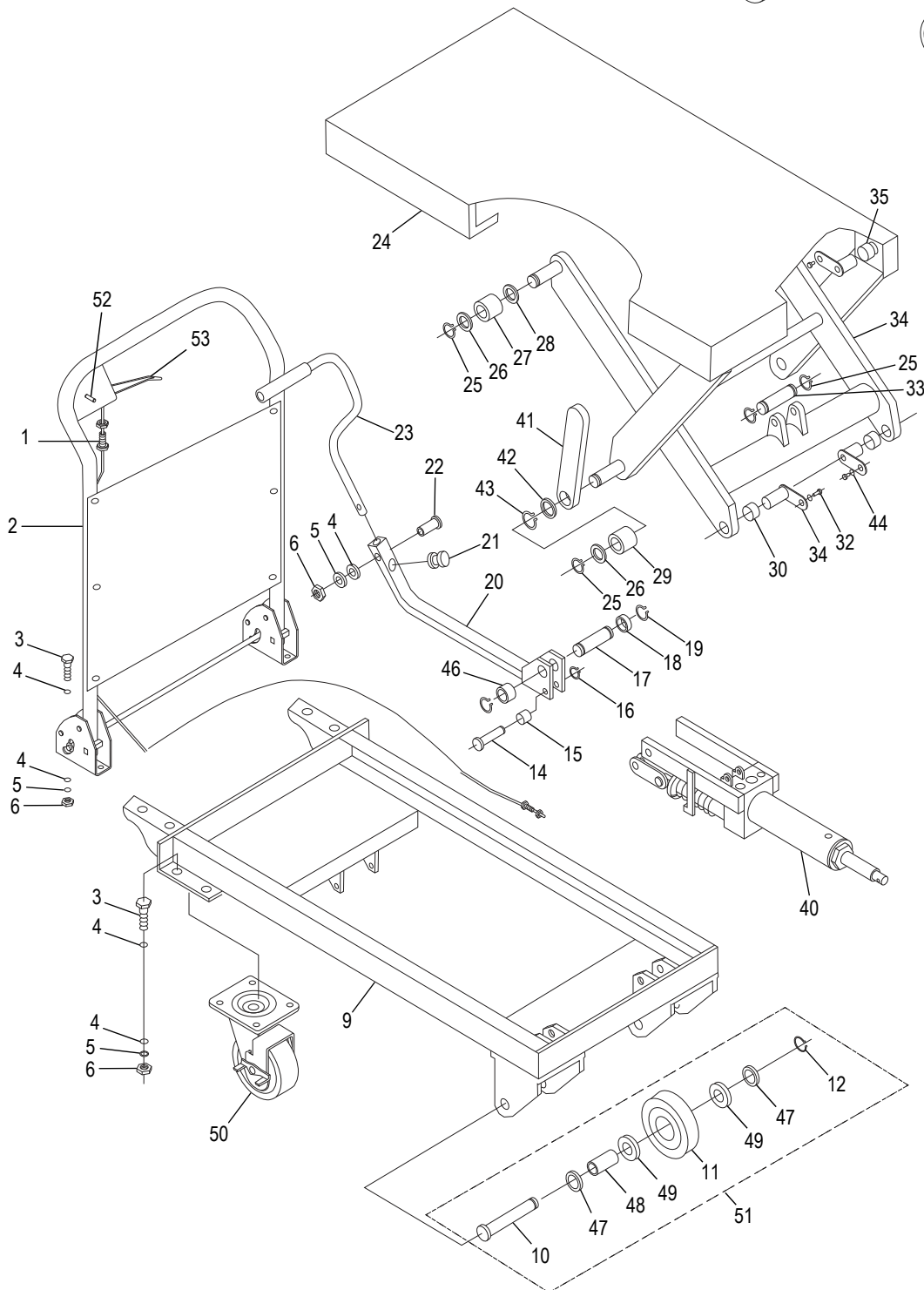


ULINE H-1486, H-1487 MANUAL LIFT TABLE – 32 x 20"

1-800-295-5510
uline.com



ULINE H-1486, H-1487
MANUAL LIFT TABLE –
32 x 20"

1-800-295-5510
 uline.com

#	DESCRIPTION	QTY.	ULINE PART NO.	MFG. PART NO.
1	Pull Rod	1	H-1486-2	SP300-HANDLE-PT#6
2	Handle Bar Assembly	1	H-1487-HBAR	SP500-HANDLE-PT#2
3	Bolt – M8 x 25 mm	12	-----	SP300-PT#3
4	Washer 8	25	H-1487-WSH2Q	SP500-PT#4
5	Washer 8	13	H-1487-WSH1Q	SP500-PT#5
6	Nut – M8	13	H-1486-NUTQ	SP300-PT#6
9	Frame	1	-----	SP300-PT#9
10	Shaft	2	H-1486-16	SP300-PT#10
11	Wheel – 5"	2	H-1486-WH	SP300-PT#11
12	Retaining Ring for Axle 12	2	-----	SP300-PT#12
14	Shaft	1	H-6754-18Q	SPT500ASSY-P18
15	Bushing	1	H-6754-19Q	SPT500ASSY-P19
16	Retaining Ring for Axle 10	1	H-1783-33	SP800-PT#33
17	Shaft	1	H-1486-23	SP300-PT#17
18	Retaining Ring	1	H-1784-YQ7Q	SPS350-PT#21
19	Retaining Ring for Axle 20	2	H-1486-24	SP300-PT#19
20	Connecting Rod	1	H-1487-20Q	SP500-PT#20
21	Cushion	1	H-1486-21Q	SP300-PT#21
22	Bolt – M8 x 30 mm	1	H-1487-M830Q	SP500-PT#22
23	Pedal Bar	1	H-1486-4759	SP300-PT#23
24	Table	1	H-1486-TOPQ	SP300-PT#24
25	Retaining Ring for Axle 16	6	-----	SP300-PT#25
26	Washer 16	4	-----	SP300-PT#26
27	Washer	2	-----	SP300-PT#27
28	Washer	2	-----	SP300-PT#28
29	Roller	2	H-1487-29Q	SP500-PT#29
30	Bushing	2	H-1486-30Q	SP300-PT#30
31	L-Pin	4	H-1486-31	SP300-PT#31
32	Bolt – M6 x 10 mm	4	-----	SP300-PT#32
33	Shaft	1	H-6754-40Q	SPT500ASSY-P40
34	Arm	1	-----	SP300-PT#34
35	Bushing	2	-----	SP300-PT#35
40	Pump (For H-1486)	1	H-1486-29	SP300-PT#40
40	Pump (For H-1487)	1	H-1487-PUMP	SP500-PT#40

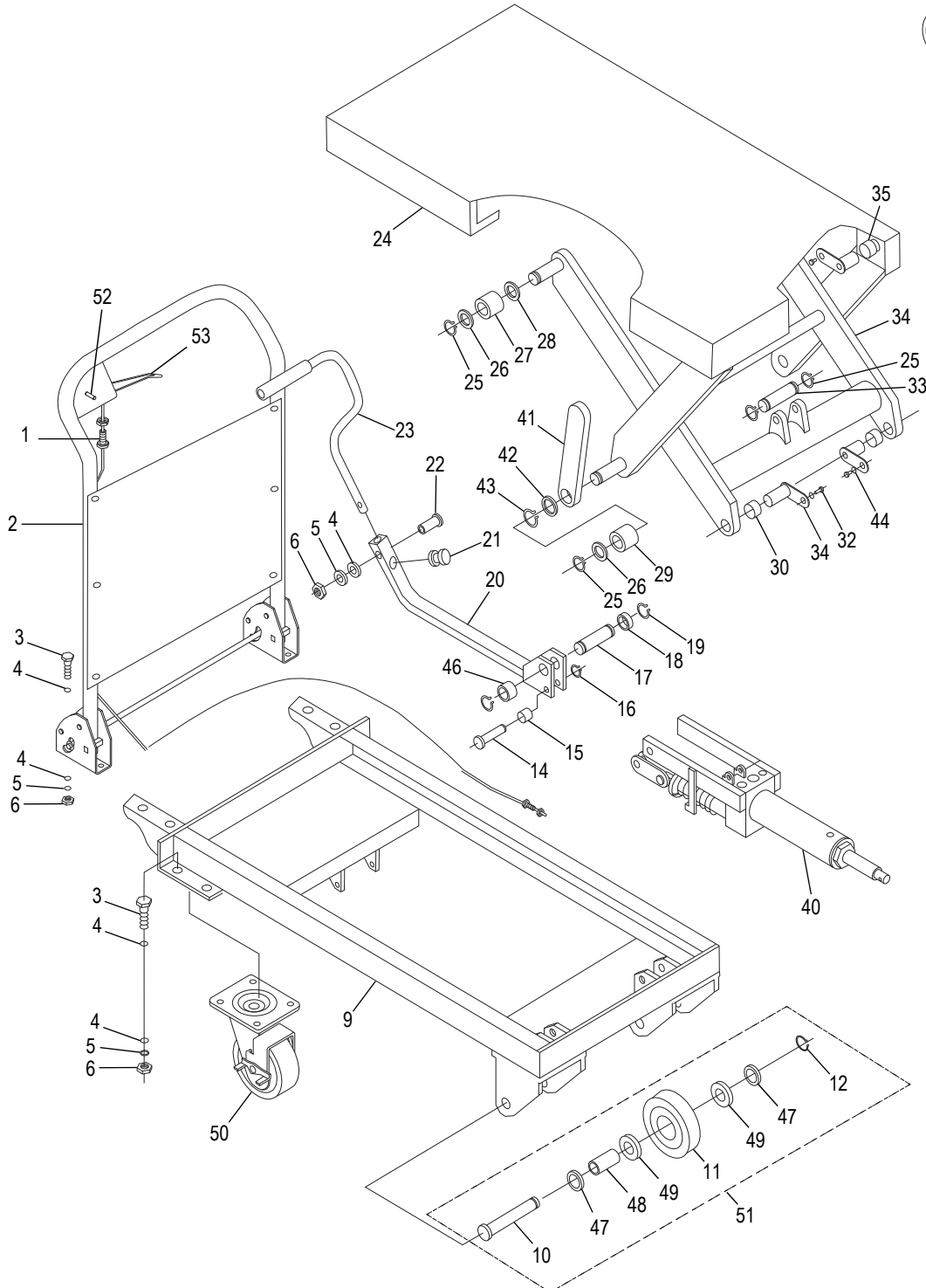
ULINE H-1486, H-1487
MANUAL LIFT TABLE –
32 x 20"

1-800-295-5510
 uline.com

#	DESCRIPTION	QTY.	ULINE PART NO.	MFG. PART NO.
41	Support	2	-----	SP300-PT#41
42	Washer	2	-----	SP300-PT#42
43	Retaining Ring for Axle 24	2	-----	SP300-PT#43
44	Washer 6	4	-----	SP300-PT#44
46	Retaining Ring	1	H-1487-46Q	SP500-PT#46
47	Bushing	4	-----	SP300-PT#47
48	Hollow Shaft	2	-----	SP300-PT#48
49	Bearing 6203	4	H-1783-25	SP800-PT#25
50	Swivel Wheel Complete	2	H-1486-SWVL	SP300-PT#8
51	Rigid Wheel Assembly Kit Includes: • Shaft #10 (1) • Bushing #47 (2) • Hollow Shaft #48 (1) • Bearing #49 (2) • Wheel – 5" #11 (1) • Retaining Ring #12 (1)	2	H-1486-RIGID	SP300-RIGID
52	Spring Pin	1	H-1486-66	SP300-HANDLE-PT#1
53	Handle	1	H-1486-65	SP300-HANDLE-PT#3

ULINE H-1486, H-1487
MESA DE ELEVACIÓN
MANUAL – 32 x 20"

800-295-5510
uline.mx



ULINE H-1486, H-1487
MESA DE ELEVACIÓN
MANUAL – 32 x 20"

800-295-5510
 uline.mx

#	DESCRIPCIÓN	CANT.	NO. DE PARTE DE ULINE	NO. DE PARTE DEL FABRICANTE
1	Varilla de Apoyo	1	H-1486-2	SP300-HANDLE-PT#6
2	Ensamble de la Barra del Asa	1	H-1487-HBAR	SP500-HANDLE-PT#2
3	Pernos de M8 x 25 mm	12	-----	SP300-PT#3
4	Rondana 8	25	H-1487-WSH2Q	SP500-PT#4
5	Rondana 8	13	H-1487-WSH1Q	SP500-PT#5
6	Tuerca de M8	13	H-1486-NUTQ	SP300-PT#6
9	Armazón	1	-----	SP300-PT#9
10	Eje	2	H-1486-16	SP300-PT#10
11	Rueda de 5"	2	H-1486-WH	SP300-PT#11
12	Anillo de Retención para Eje 12	2	-----	SP300-PT#12
14	Eje	1	H-6754-18Q	SPT500ASSY-P18
15	Casquillo	1	H-6754-19Q	SPT500ASSY-P19
16	Anillo de Retención para Eje 10	1	H-1783-33	SP800-PT#33
17	Eje	1	H-1486-23	SP300-PT#17
18	Anillo de Retención	1	H-1784-YQ7Q	SPS350-PT#21
19	Anillo de Retención para Eje 20	2	H-1486-24	SP300-PT#19
20	Varilla de Conexión	1	H-1487-20Q	SP500-PT#20
21	Cojín	1	H-1486-21Q	SP300-PT#21
22	Perno de M8 x 30 mm	1	H-1487-M830Q	SP500-PT#22
23	Barra del Pedal	1	H-1486-4759	SP300-PT#23
24	Mesa	1	H-1486-TOPQ	SP300-PT#24
25	Anillo de Retención para Eje 16	6	-----	SP300-PT#25
26	Rondana 16	4	-----	SP300-PT#26
27	Rondana	2	-----	SP300-PT#27
28	Rondana	2	-----	SP300-PT#28
29	Rodillo	2	H-1487-29Q	SP500-PT#29
30	Casquillo	2	H-1486-30Q	SP300-PT#30
31	Perno en L	4	H-1486-31	SP300-PT#31
32	Perno de M6 x 10 mm	4	-----	SP300-PT#32
33	Eje	1	H-6754-40Q	SPT500ASSY-P40
34	Brazo	1	-----	SP300-PT#34
35	Casquillo	2	-----	SP300-PT#35
40	Bomba (Para H-1486)	1	H-1486-29	SP300-PT#40
40	Bomba (Para H-1487)	1	H-1487-PUMP	SP500-PT#40

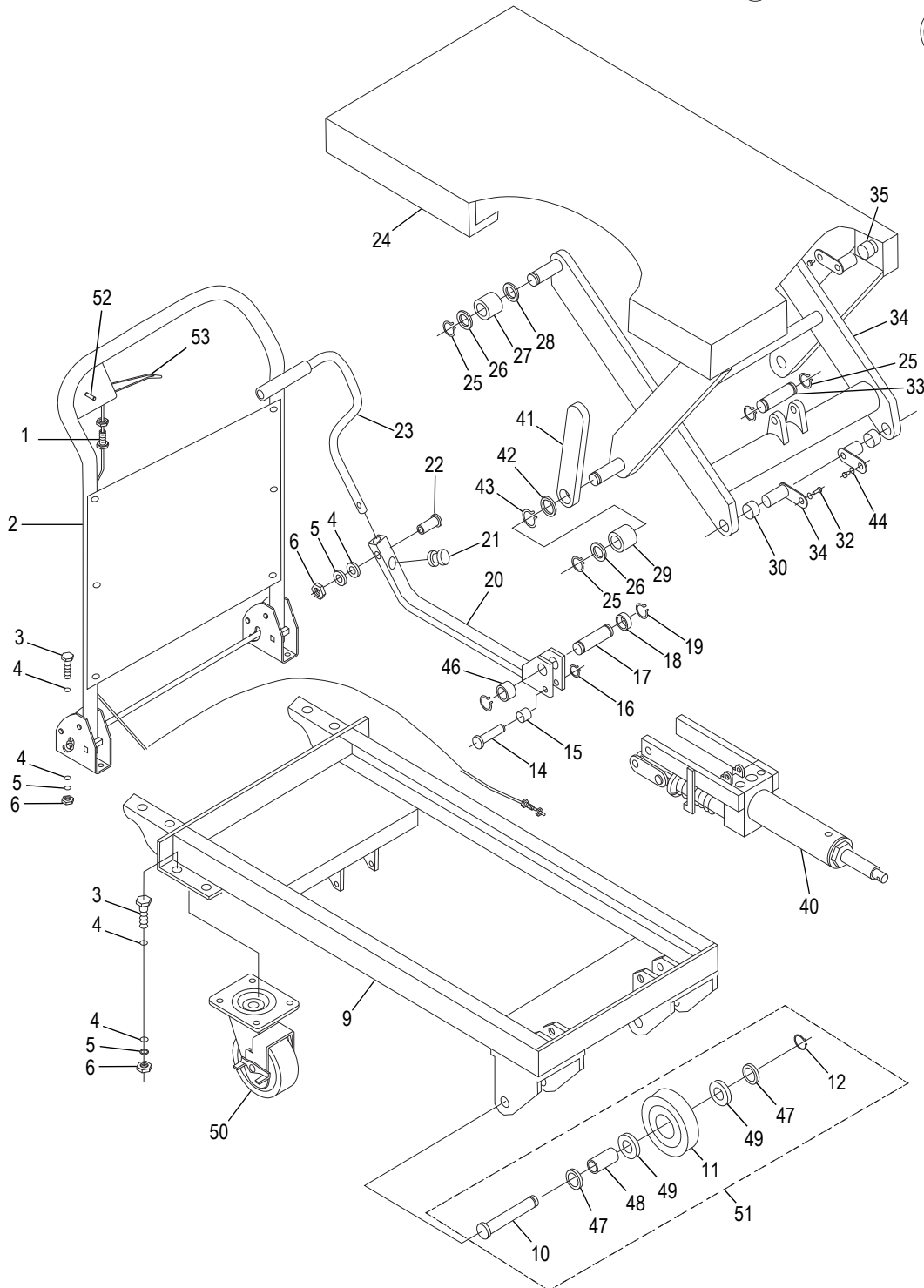
ULINE H-1486, H-1487
MESA DE ELEVACIÓN
MANUAL – 32 x 20"

800-295-5510
 uline.mx

#	DESCRIPCIÓN	CANT.	NO. DE PARTE DE ULINE	NO. DE PARTE DEL FABRICANTE
41	Soporte	2	-----	SP300-PT#41
42	Rondana	2	-----	SP300-PT#42
43	Anillo de Retención para Eje 24	2	-----	SP300-PT#43
44	Rondana 6	4	-----	SP300-PT#44
46	Anillo de Retención	1	H-1487-46Q	SP500-PT#46
47	Casquillo	4	-----	SP300-PT#47
48	Eje Hueco	2	-----	SP300-PT#48
49	Balero 6203	4	H-1783-25	SP800-PT#25
50	Llanta Giratoria Completa	2	H-1486-SWVL	SP300-PT#8
52	Kit del Ensamble de la Llanta Rígida Incluye: • 1 Eje #10 • 2 Casquillos #47 • 1 Eje Hueco #48 • 2 Baleros 6203 #49 • 1 Rueda de 5" #11 • 1 Anillo de Retención para Eje 12 #12	2	H-1486-RIGID	SP300-RIGID
52	Pasador con Resorte	1	H-1486-66	SP300-HANDLE-PT#1
53	Asa	1	H-1486-65	SP300-HANDLE-PT#3

ULINE H-1486, H-1487
TABLE ÉLEVATRICE
MANUELLE – 32 x 20 po

1 800 295-5510
 uline.ca



ULINE H-1486, H-1487
TABLE ÉLÉVATRICE
MANUELLE – 32 x 20 po

1 800 295-5510
 uline.ca

#	DESCRIPTION	QTÉ	REF. ULINE	REF. DU FABRICANT
1	Tige de traction	1	H-1486-2	SP300-HANDLE-PT#6
2	Ensemble de la poignée	1	H-1487-HBAR	SP500-HANDLE-PT#2
3	Boulon de M8 x 25 mm	12	-----	SP300-PT#3
4	Rondelle 8	25	H-1487-WSH2Q	SP500-PT#4
5	Rondelle 8	13	H-1487-WSH1Q	SP500-PT#5
6	Écrou de M8	13	H-1486-NUTQ	SP300-PT#6
9	Structure	1	-----	SP300-PT#9
10	Arbre	2	H-1486-16	SP300-PT#10
11	Roue de 5 po	2	H-1486-WH	SP300-PT#11
12	Bague de retenue pour essieu 12	2	-----	SP300-PT#12
14	Arbre	1	H-6754-18Q	SPT500ASSY-P18
15	Bague	1	H-6754-19Q	SPT500ASSY-P19
16	Bague de retenue pour essieu 10	1	H-1783-33	SP800-PT#33
17	Arbre	1	H-1486-23	SP300-PT#17
18	Bague de retenue	1	H-1784-YQ7Q	SPS350-PT#21
19	Bague de retenue pour essieu 20	2	H-1486-24	SP300-PT#19
20	Barre de liaison	1	H-1487-20Q	SP500-PT#20
21	Coussin	1	H-1486-21Q	SP300-PT#21
22	Boulon de M8 x 30 mm	1	H-1487-M830Q	SP500-PT#22
23	Barre à pédale	1	H-1486-4759	SP300-PT#23
24	Table	1	H-1486-TOPQ	SP300-PT#24
25	Bague de retenue pour essieu 16	6	-----	SP300-PT#25
26	Rondelle 16	4	-----	SP300-PT#26
27	Rondelle	2	-----	SP300-PT#27
28	Rondelle	2	-----	SP300-PT#28
29	Rouleau	2	H-1487-29Q	SP500-PT#29
30	Bague	2	H-1486-30Q	SP300-PT#30
31	Goupille en L	4	H-1486-31	SP300-PT#31
32	Boulon de M6 x 10	4	-----	SP300-PT#32
33	Arbre	1	H-6754-40Q	SPT500ASSY-P40
34	Bras	1	-----	SP300-PT#34
35	Bague	2	-----	SP300-PT#35
40	Pompe (pour H-1486)	1	H-1486-29	SP300-PT#40
40	Pompe (pour H-1487)	1	H-1487-PUMP	SP500-PT#40

ULINE H-1486, H-1487
TABLE ÉLÉVATRICE
MANUELLE – 32 x 20 po

1 800 295-5510
 uline.ca

#	DESCRIPTION	QTÉ	REF. ULINE	REF. DU FABRICANT
41	Support	2	-----	SP300-PT#41
42	Rondelle	2	-----	SP300-PT#42
43	Bague de retenue pour essieu 24	2	-----	SP300-PT#43
44	Rondelle 6	4	-----	SP300-PT#44
46	Bague de retenue	1	H-1487-46Q	SP500-PT#46
47	Bague	4	-----	SP300-PT#47
48	Arbre creux	2	-----	SP300-PT#48
49	Roulement 6203	4	H-1783-25	SP800-PT#25
50	Roue pivotante	2	H-1486-SWVL	SP300-PT#8
52	Matériel d'assemblage de la roue rigide Comprend : • Arbre n° 10 (1) • Bague n° 47 (2) • Arbre n° 48 (1) • Roulement n° 49 (2) • Roue de 5 po n° 11 (1) • Bague de retenue n° 12 (1)	2	H-1486-RIGID	SP300-RIGID
52	Goupille à ressort	1	H-1486-66	SP300-HANDLE-PT#1
53	Poignée	1	H-1486-65	SP300-HANDLE-PT#3