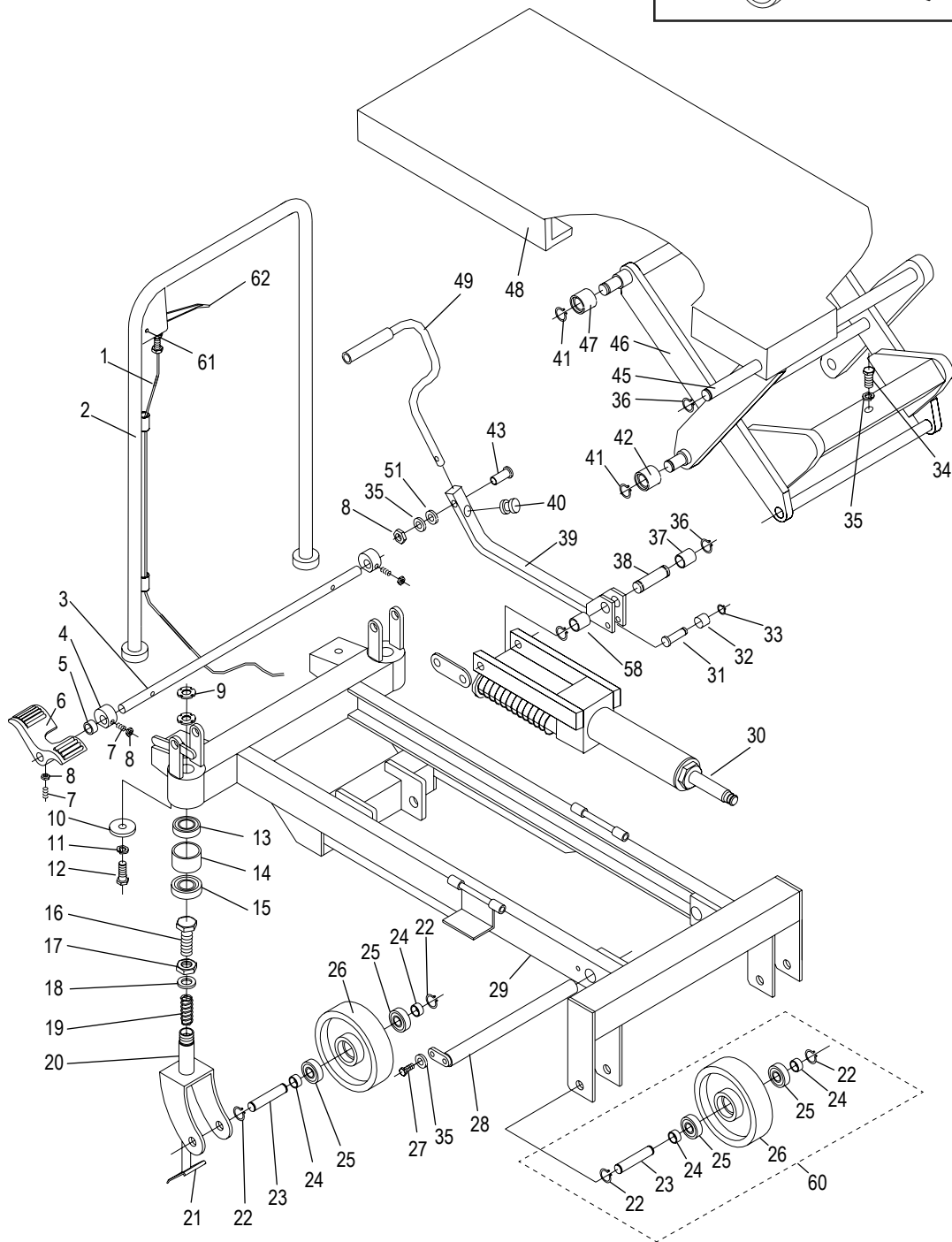
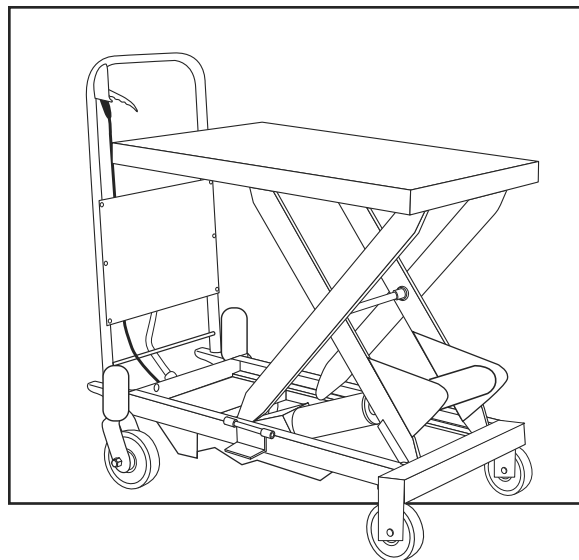


ULINE H-1783

MANUAL LIFT TABLE – 40 x 20"

1-800-295-5510
uline.com



#	DESCRIPTION	QTY.	ULINE PART NO.	MFG. PART NO.
1	Pull Rod	1	H-1783-PLROD	SP800-PT#1
2	Handle Bar	1	H-1783-HP	SP800-PT#2
3	Rod	1	H-1783-ROD15	SP800-PT#3
4	Cam	2	H-1783-CAM14	SP800-PT#4
5	Retaining Ring	1	H-1783-RR13	SP800-PT#5
6	Pedal	1	H-1783-PEDAL	SP800-PT#6
7	Screw – M8 x 20 mm	3	H-1783-7Q	SP800-PT#7
8	Nut – M8	4	H-1783-NUTM8	SP800-PT#8
9	Nut	4	H-1783-9	SP800-PT#9
10	Washer	4	H-1783-10	SP800-PT#10
11	Washer 12	2	H-1783-11	SP800-PT#11
12	Bolt – M12 x 30 mm	2	H-1783-12	SP800-PT#12
13	Bearing 105	2	H-1783-13	SP800-PT#13
14	Bush	2	H-1783-14	SP800-PT#14
15	Bearing 7205	2	H-1783-15	SP800-PT#15
16	Bolt – M10 x 35 mm	2	H-1783-16	SP800-PT#16
17	Nut – M10	2	H-1783-17	SP800-PT#17
18	Washer 10	1	H-1783-18	SP800-PT#18
19	Spring	1	H-1783-19	SP800-PT#19
20	Rack of Wheel	1	H-1783-20	SP800-PT#20
21	Brake Piece	1	H-1783-21	SP800-PT#21
22	Retaining Ring for Axle 17	8	H-1783-22	SP800-PT#22
23	Shaft	4	H-1783-23	SP800-PT#23
24	Washer	8	H-1783-24	SP800-PT#24
25	Bearing 60203	8	H-1783-25	SP800-PT#25
26	Wheel	4	H-1783-26Q	SP800-PT#26
27	Bolt – M8 x 12 mm	1	H-1783-27	SP800-PT#27
28	L-Pin	1	-----	SP800-PT#28
29	Frame	1	-----	SP800-PT#29
30	Pump	1	H-1783-PUMP	SP800-PT#30
31	Shaft	1	H-1783-SHAFT	SP800-PT#31
32	Bush	1	H-1783-BUSH	SP800-PT#32
33	Retaining Ring for Axle 10	1	H-1783-33	SP800-PT#33
34	Screw – M8 x 10 mm	1	-----	SP800-PT#34
35	Washer 8	3	H-1783-WSHR8	SP800-PT#35
36	Retaining Ring for Axle 20	4	H-1783-36	SP800-PT#36
37	Retaining Ring	1	H-1783-RRING	SP800-PT#37
38	Shaft	1	H-1783-70007	SP800-PT#38

ULINE H-1783**MANUAL LIFT TABLE –
40 x 20"**

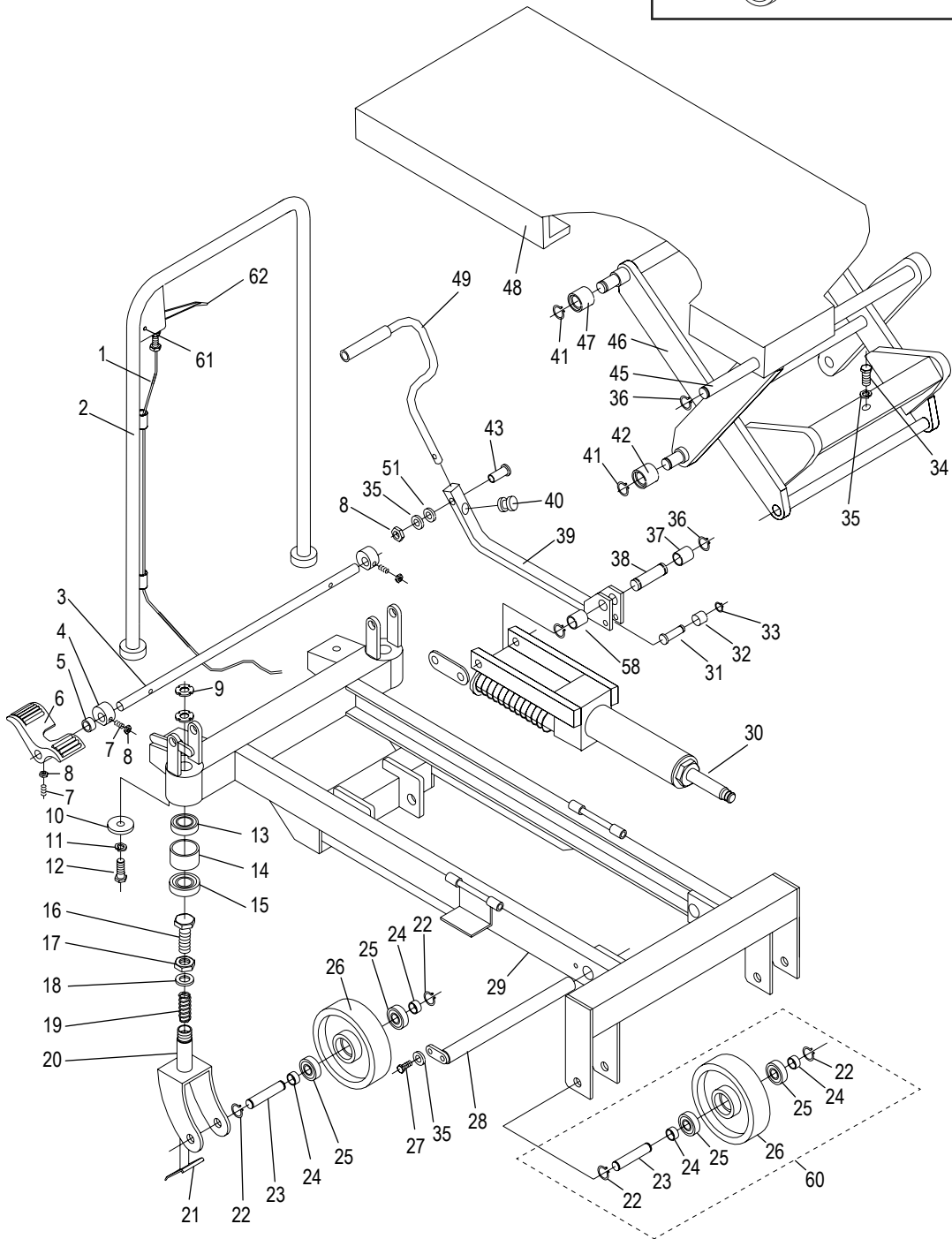
1-800-295-5510

uline.com

#	DESCRIPTION	QTY.	ULINE PART NO.	MFG. PART NO.
39	Pedal Rod	1	H-1783-PROD	SP800-PT#39
40	Cushion	1	H-1783-CUSHN	SP800-PT#40
41	Retaining Ring for Axle 22	4	-----	SP800-PT#41
42	Roller	2	H-1783-42Q	SP800-PT#42
43	Bolt – M8 x 30 mm	1	H-1487-M830Q	SP500-PT#22
45	Shaft	1	-----	SP800-PT#45
46	Arm	1	H-1783-46Q	SP800-PT#46
47	Roller	2	-----	SP800-PT#47
48	Table	1	-----	SP800-PT#48
49	Pedal Bar	1	H-1486-4759	SP300-PT#23
51	Washer 8	1	H-1783-WASHR	SP800-PT#51
58	Retaining Ring	1	H-1783-RING	SP800-PT#58
60	Rigid Wheel Assembly Kit Includes: • Retaining Ring for Axle 17 #22 (2) • Shaft #23 (1) • Washer #24 (2) • Bearing 60203 #25 (2) • Wheel #26 (1)	2	H-1783RIGID	SP800 PT#22-26
61	Spring Pin	1	H-1486-66	SP300-HANDLE-PT#1
62	Handle	1	H-1486-65	SP300-HANDLE-PT#3
	Lowering Rod Assembly (Not Shown)	1	H-1784-LRODA	-----
	Swivel Wheel (Complete) (Not Shown)	2	H-1783SWIVEL	SP800-PT#20-26

ULINE H-1783
MESA DE ELEVACIÓN
MANUAL – 40 x 20"

800-295-5510
uline.mx



ULINE H-1783
MESA DE ELEVACIÓN
MANUAL – 40 x 20"

800-295-5510
 uline.mx

#	DESCRIPCIÓN	CANT.	NO. DE PARTE DE ULINE	NO. DE PARTE DEL FABRICANTE
1	Varilla de Apoyo	1	H-1783-PLROD	SP800-PT#1
2	Barra del Asa	1	H-1783-HP	SP800-PT#2
3	Varilla	1	H-1783-ROD15	SP800-PT#3
4	Leva	2	H-1783-CAM14	SP800-PT#4
5	Anillo de Retención	1	H-1783-RR13	SP800-PT#5
6	Pedal	1	H-1783-PEDAL	SP800-PT#6
7	Tornillo de M8 x 20 mm	3	H-1783-7Q	SP800-PT#7
8	Tuerca M8	4	H-1783-NUTM8	SP800-PT#8
9	Tuerca	4	H-1783-9	SP800-PT#9
10	Rondana	4	H-1783-10	SP800-PT#10
11	Rondana 12	2	H-1783-11	SP800-PT#11
12	Perno de M12 x 30 mm	2	H-1783-12	SP800-PT#12
13	Balero 105	2	H-1783-13	SP800-PT#13
14	Casquillo	2	H-1783-14	SP800-PT#14
15	Balero 7205	2	H-1783-15	SP800-PT#15
16	Perno de M10 x 35 mm	2	H-1783-16	SP800-PT#16
17	Tuerca M10	2	H-1783-17	SP800-PT#17
18	Rondana 10	1	H-1783-18	SP800-PT#18
19	Resorte	1	H-1783-19	SP800-PT#19
20	SopORTE de la Rueda	1	H-1783-20	SP800-PT#20
21	Pieza de Freno	1	H-1783-21	SP800-PT#21
22	Anillo de Retención para Eje 17	8	H-1783-22	SP800-PT#22
23	Eje	4	H-1783-23	SP800-PT#23
24	Rondana	8	H-1783-24	SP800-PT#24
25	Balero 60203	8	H-1783-25	SP800-PT#25
26	Rueda	4	H-1783-26Q	SP800-PT#26
27	Perno de M8 x 12 mm	1	H-1783-27	SP800-PT#27
28	Perno en L	1	-----	SP800-PT#28
29	Armazón	1	-----	SP800-PT#29
30	Bomba	1	H-1783-PUMP	SP800-PT#30
31	Eje	1	H-1783-SHAFT	SP800-PT#31
32	Casquillo	1	H-1783-BUSH	SP800-PT#32
33	Anillo de Retención para Eje 10	1	H-1783-33	SP800-PT#33
34	Tornillo de M8 x 10 mm	1	-----	SP800-PT#34
35	Rondana 8	3	H-1783-WSHR8	SP800-PT#35
36	Anillo de Retención para Eje 20	4	H-1783-36	SP800-PT#36
37	Anillo de Retención	1	H-1783-RRING	SP800-PT#37
38	Eje	1	H-1783-70007	SP800-PT#38

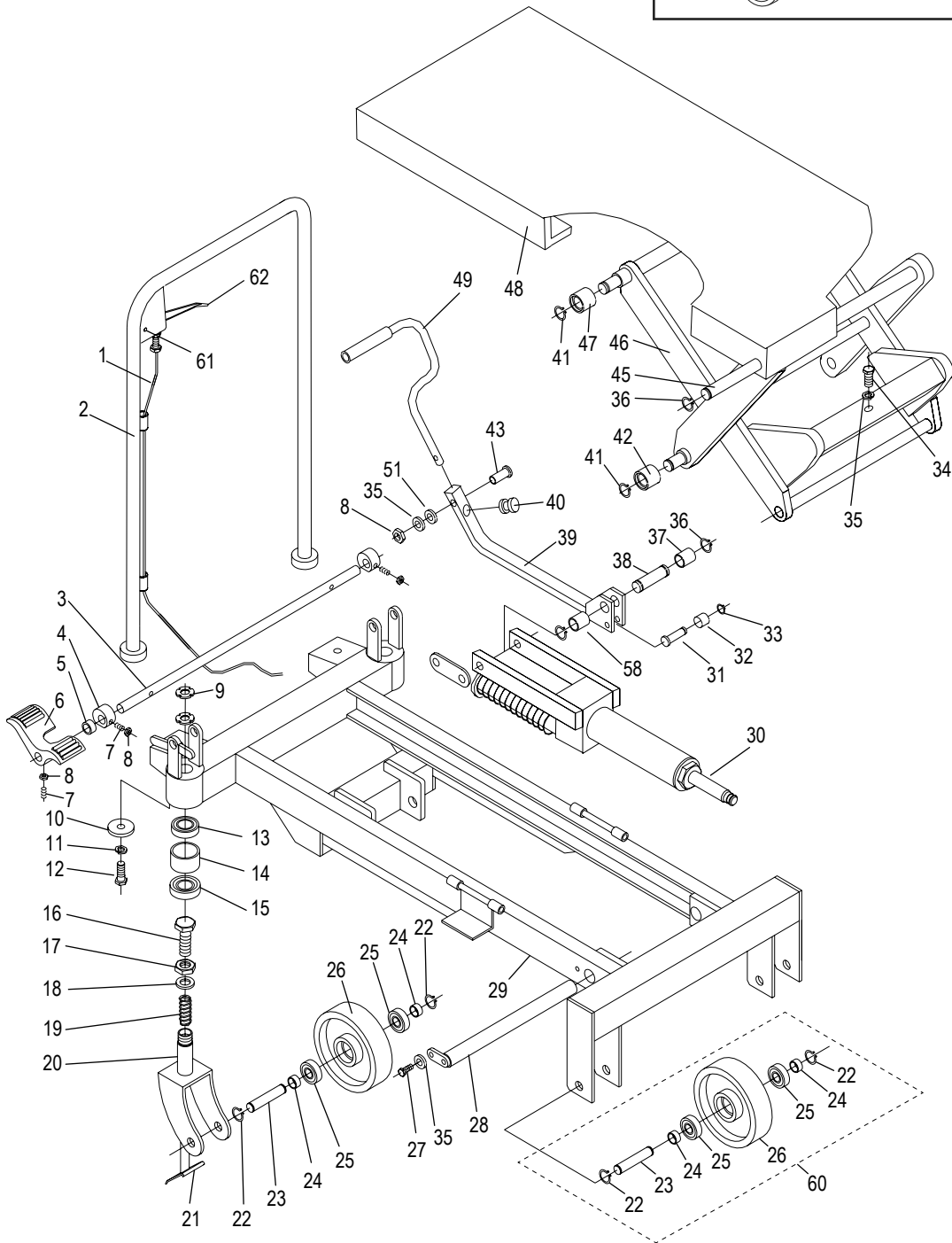
ULINE H-1783
MESA DE ELEVACIÓN
MANUAL – 40 x 20"

800-295-5510
 uline.mx

#	DESCRIPCIÓN	CANT.	NO. DE PARTE DE ULINE	NO. DE PARTE DEL FABRICANTE
39	Varilla de Pedal	1	H-1783-PROD	SP800-PT#39
40	Cojín	1	H-1783-CUSHN	SP800-PT#40
41	Anillo de Retención para Eje 22	4	-----	SP800-PT#41
42	Rodillo	2	H-1783-42Q	SP800-PT#42
43	Perno de M8 x 30 mm	1	H-1487-M830Q	SP500-PT#22
45	Eje	1	-----	SP800-PT#45
46	Brazo	1	H-1783-46Q	SP800-PT#46
47	Rodillo	2	-----	SP800-PT#47
48	Mesa	1	-----	SP800-PT#48
49	Barra del Pedal	1	H-1486-4759	SP300-PT#23
51	Rondana 8	1	H-1783-WASHR	SP800-PT#51
58	Anillo de Retención	1	H-1783-RING	SP800-PT#58
60	Kit del Ensamble de la Llanta Rígida Incluye: • 2 Anillos de Retención para Eje 17 #22 • 1 Eje #23 • 2 Rondanas #24 • 2 Baleros 60203 #25 • 1 Rueda #26	2	H-1783-RIGID	SP800 PT#22-26
61	Pasador con Resorte	1	H-1486-66	SP300-HANDLE-PT#1
62	Asa	1	H-1486-65	SP300-HANDLE-PT#3
	Ensamble de la Varilla de Descenso (No Se Muestra)	1	H-1784-LRODA	-----
	Rueda Giratoria (Completa) (No Se Muestra)	2	H-1783SWIVEL	SP800-PT#20-26

ULINE H-1783
TABLE ÉLÉVATRICE
MANUELLE –
40 x 20 po

1 800 295-5510
uline.ca



ULINE H-1783
TABLE ÉLÉVATRICE
MANUELLE –
40 x 20 po

1 800 295-5510
 uline.ca

#	DESCRIPTION	QTÉ	RÉF. ULINE	RÉF. DU FABRICANT
1	Tige de traction	1	H-1783-PLROD	SP800-PT#1
2	Barre de la poignée	1	H-1783-HP	SP800-PT#2
3	Tige	1	H-1783-ROD15	SP800-PT#3
4	Came	2	H-1783-CAM14	SP800-PT#4
5	Bague de retenue	1	H-1783-RR13	SP800-PT#5
6	Pédale	1	H-1783-PEDAL	SP800-PT#6
7	Vis de M8 x 20 mm	3	H-1783-7Q	SP800-PT#7
8	Écrou M8	4	H-1783-NUTM8	SP800-PT#8
9	Écrou	4	H-1783-9	SP800-PT#9
10	Rondelle	4	H-1783-10	SP800-PT#10
11	Rondelle 12	2	H-1783-11	SP800-PT#11
12	Boulon de M12 x 30 mm	2	H-1783-12	SP800-PT#12
13	Roulement 105	2	H-1783-13	SP800-PT#13
14	Bague	2	H-1783-14	SP800-PT#14
15	Roulement 7205	2	H-1783-15	SP800-PT#15
16	Boulon de M10 x 35 mm	2	H-1783-16	SP800-PT#16
17	Écrou M10	2	H-1783-17	SP800-PT#17
18	Rondelle 10	1	H-1783-18	SP800-PT#18
19	Ressort	1	H-1783-19	SP800-PT#19
20	Support de roue	1	H-1783-20	SP800-PT#20
21	Pièce de frein	1	H-1783-21	SP800-PT#21
22	Bague de retenue pour essieu 17	8	H-1783-22	SP800-PT#22
23	Arbre	4	H-1783-23	SP800-PT#23
24	Rondelle	8	H-1783-24	SP800-PT#24
25	Roulement 60203	8	H-1783-25	SP800-PT#25
26	Roue	4	H-1783-26Q	SP800-PT#26
27	Boulon de M8 x 12 mm	1	H-1783-27	SP800-PT#27
28	Goupille en L	1	-----	SP800-PT#28
29	Cadre	1	-----	SP800-PT#29
30	Pompe	1	H-1783-PUMP	SP800-PT#30
31	Arbre	1	H-1783-SHAFT	SP800-PT#31
32	Bague	1	H-1783-BUSH	SP800-PT#32
33	Bague de retenue pour essieu 10	1	H-1783-33	SP800-PT#33
34	Vis de M8 x 10 mm	1	-----	SP800-PT#34
35	Rondelle 8	3	H-1783-WSHR8	SP800-PT#35
36	Bague de retenue pour essieu 20	4	H-1783-36	SP800-PT#36
37	Bague de retenue	1	H-1783-RRING	SP800-PT#37
38	Arbre	1	H-1783-70007	SP800-PT#38

ULINE H-1783
TABLE ÉLÉVATRICE
MANUELLE –
40 x 20 po

1 800 295-5510
 uline.ca

#	DESCRIPTION	QTÉ	RÉF. ULINE	RÉF. DU FABRICANT
39	Tige de pédale	1	H-1783-PROD	SP800-PT#39
40	Coussin	1	H-1783-CUSHN	SP800-PT#40
41	Bague de retenue pour essieu 22	4	-----	SP800-PT#41
42	Rouleau	2	H-1783-42Q	SP800-PT#42
43	Boulon de M8 x 30 mm	1	H-1487-M830Q	SP500-PT#22
45	Arbre	1	-----	SP800-PT#45
46	Bras	1	H-1783-46Q	SP800-PT#46
47	Rouleau	2	-----	SP800-PT#47
48	Table	1	-----	SP800-PT#48
49	Barre de pédale	1	H-1486-4759	SP300-PT#23
51	Rondelle 8	1	H-1783-WASHR	SP800-PT#51
58	Bague de retenue	1	H-1783-RING	SP800-PT#58
60	Matériel de l'ensemble de la roue fixe Comprend : • Bague de retenue pour essieu 17 n° 22 (2) • Arbre n° 23 (1) • Rondelle n° 24 (2) • Roulement 60203 n° 25 (2) • Roue n° 26 (1)	2	H-1783-RIGID	SP800 PT#22-26
61	Goupille à ressort	1	H-1486-66	SP300-HANDLE-PT#1
62	Poignée	1	H-1486-65	SP300-HANDLE-PT#3
	Ensemble de la tige d'abaissement (non illustré)	1	H-1784-LRODA	-----
	Roulette pivotante (complet) (non illustré)	2	H-1783SWIVEL	SP800-PT#20-26