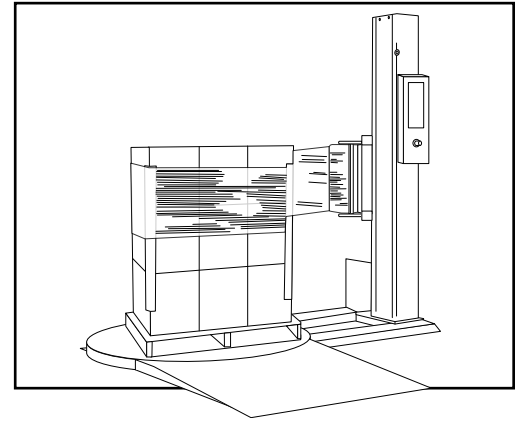
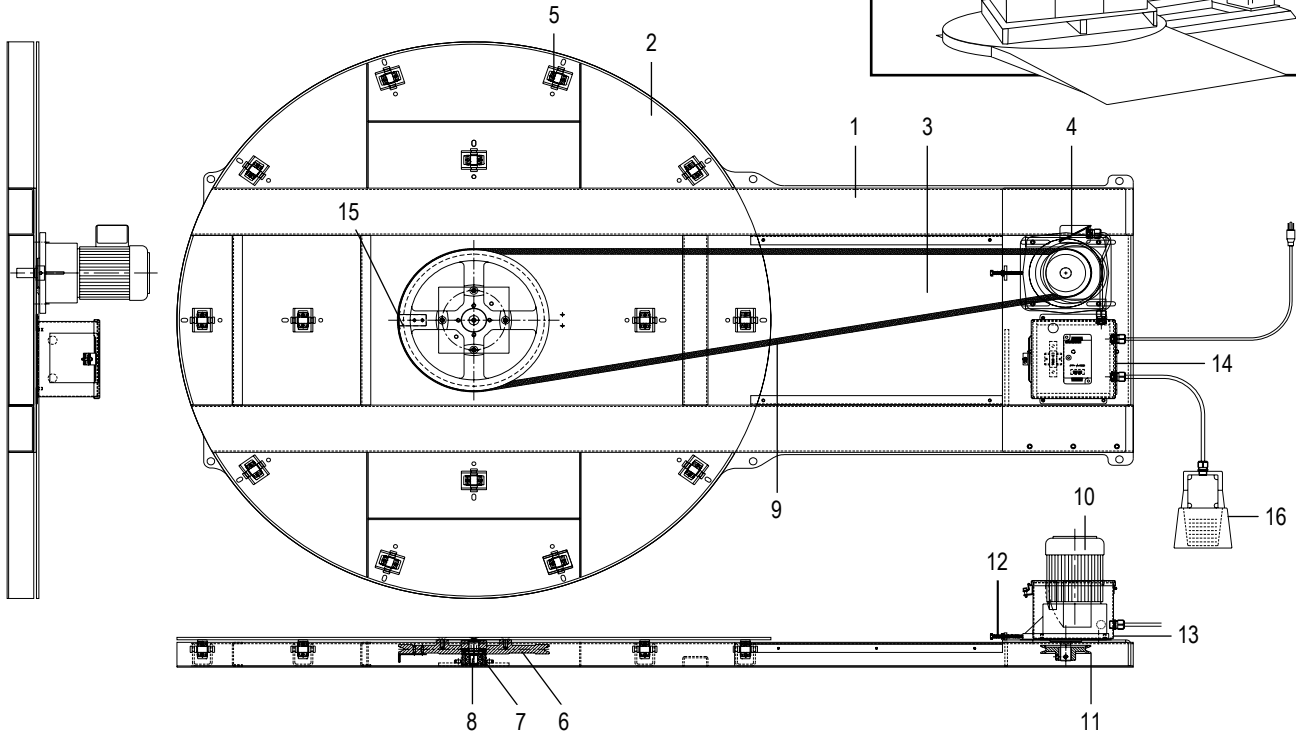


# ULINE H-2304 MANUAL STRETCH WRAP MACHINE

1-800-295-5510  
 uline.com

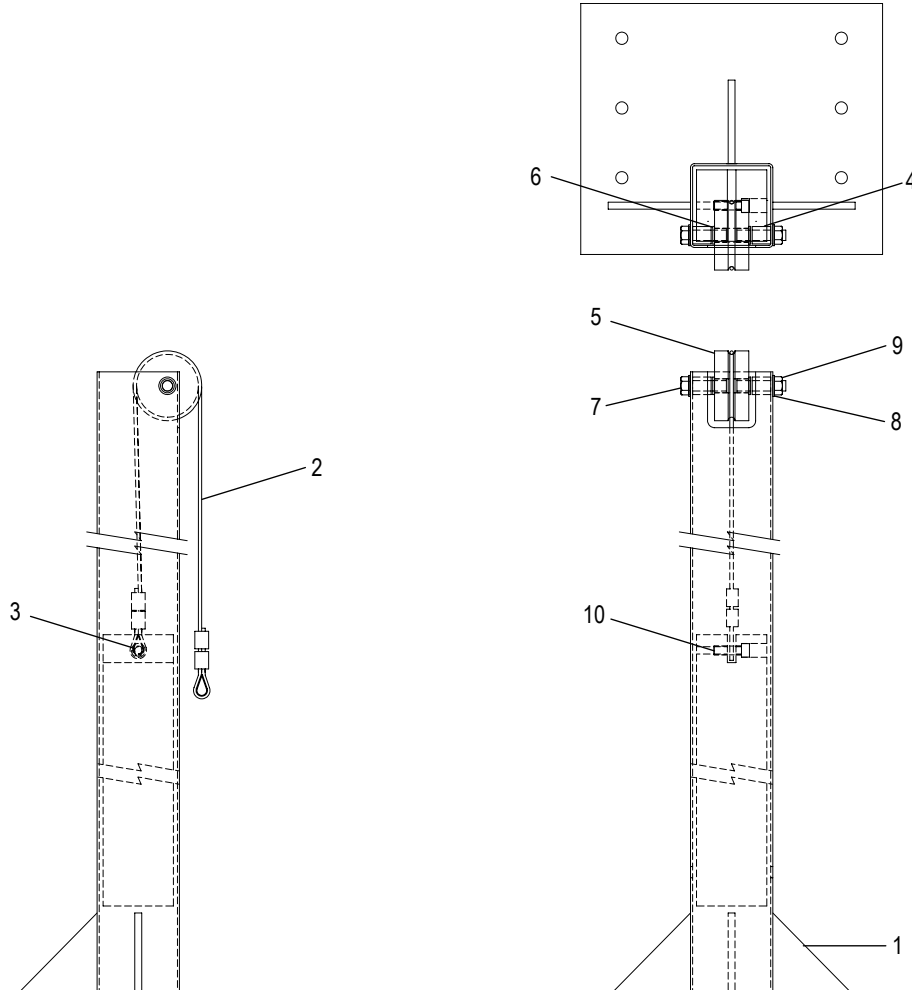


## TURNTABLE



| #  | DESCRIPTION                    | QTY.   | ULINE PART NO.               | MFG. PART NO. |
|----|--------------------------------|--------|------------------------------|---------------|
| 1  | Frame Weldment                 | 1      | -----                        | 600171        |
| 2  | Turntable Top                  | 1      | -----                        | 503451        |
| 3  | Frame Cover                    | 1      | -----                        | 503452        |
| 4  | Reducer Bolt Strip             | 2      | <a href="#">H-2304-RDCRQ</a> | 503453        |
| 5  | Cam Follower Assembly          | 14     | <a href="#">H-2304-5CFA</a>  | 702307        |
| 6  | Sprocket Weldment - 72T        | 1      | <a href="#">H-2304-06</a>    | 602386        |
| 7  | Thrust Bearing                 | 1      | <a href="#">H-2304-THRUS</a> | 303703        |
| 8  | King Post Assembly             | 1      | <a href="#">H-2304-KING</a>  | 700058        |
| 9a | Chain, #50-1                   | 13 FT. | <a href="#">H-2304-13CHN</a> | 305029        |
| 9b | Masterlink, #50-1              | 1      | <a href="#">H-2304-CHLNK</a> | 305175        |
| 10 | Gear Motor, 1/2 HP, 40:1       | 1      | <a href="#">H-1287-GEAR</a>  | 305357        |
| 11 | Sprocket, 50B1126h             | 1      | <a href="#">H-3204-SPRKQ</a> | 305943        |
| 12 | 5/16-18 x 3 HH Tap Bolt        | 1      | <a href="#">H-2304-3HHQ</a>  | 203524        |
| 13 | Thick Gear Motor Spacer        | 1      | <a href="#">H-2304-GEARQ</a> | 503450        |
| 14 | Electrical Controls Assembly   | 1      | <a href="#">H-2304-CA</a>    | 700503        |
| 15 | Prox Target                    | 1      | <a href="#">H-2304PRXSCQ</a> | 503590        |
| 16 | Step Key                       | 1      | <a href="#">H-2304-STEPQ</a> | 503588        |
|    | Rub Strip (Not Shown)          | 2      | -----                        | 503589        |
|    | 2012-28 MM Bushing (Not Shown) | 1      | -----                        | 303911        |
|    | Cord Grip (Not Shown)          | 1      | <a href="#">H-2304-CORDG</a> | 403384        |

TOWER



| #  | DESCRIPTION           | QTY. | ULINE PART NO.               | MFG. PART NO. |
|----|-----------------------|------|------------------------------|---------------|
| 1  | 80" Tower Weldment    | 1    | <a href="#">H-2304-TWRQ</a>  | 646125        |
| 2  | Spiral Cable Assembly | 1    | <a href="#">H-2304-2SCA</a>  | 745908        |
| 3  | Counter Weight        | 1    | -----                        | 526542        |
| 4  | Pulley Spacer         | 2    | <a href="#">H-2304-TPULL</a> | 526543        |
| 5  | Pulley                | 1    | <a href="#">H-2304-PLLY</a>  | 520151        |
| 6  | Bushing               | 2    | <a href="#">H-2304-BUSH</a>  | 305369        |
| 7  | 3/8-16 x 3.5 HHCS     | 1    | <a href="#">H-2304-HHCSQ</a> | 202629        |
| 8  | 3/8 Flat Washer       | 4    | <a href="#">H-2304-FLATQ</a> | 204560        |
| 9  | 3/8-16 Nylon Jam Nut  | 2    | <a href="#">H-2304-JAMQ</a>  | 201121        |
| 10 | 5/16-18 x 1.00 SHCS   | 1    | <a href="#">H-2304-SHCSQ</a> | 203660        |

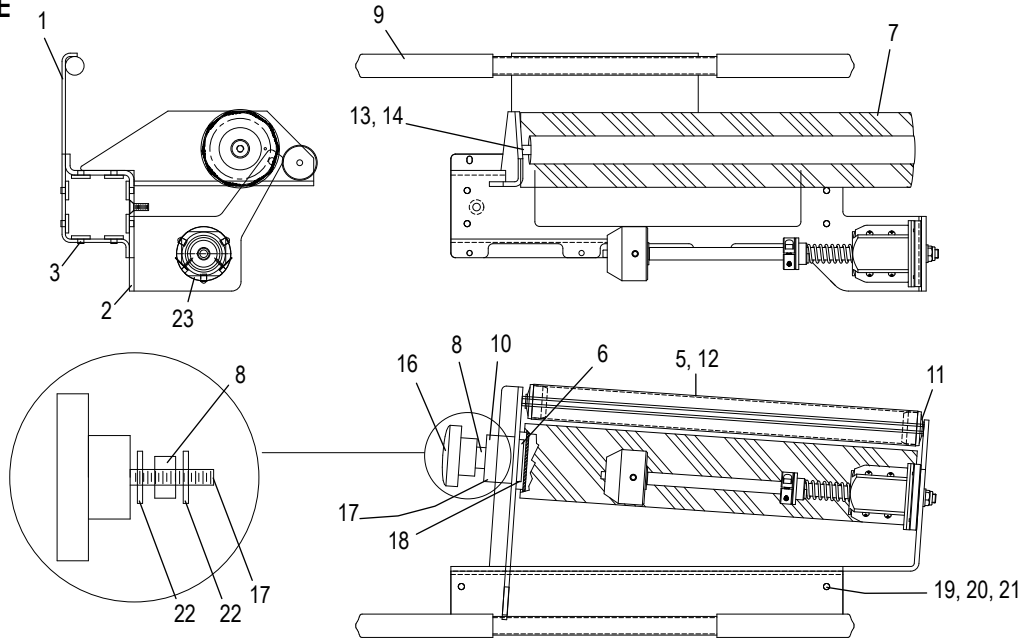
# ULINE H-2304

## MANUAL STRETCH WRAP MACHINE

1-800-295-5510

uline.com

### FILM CARRIAGE



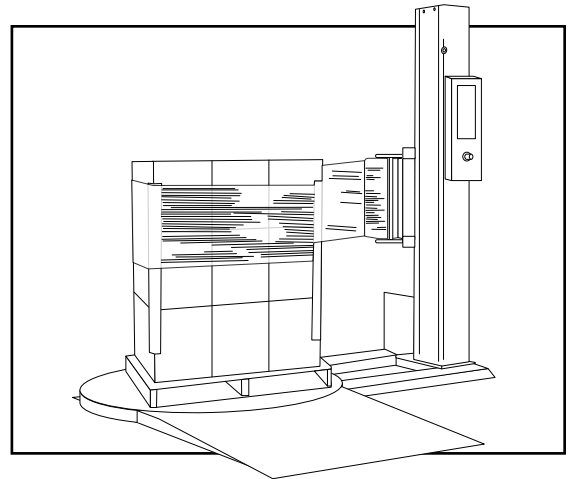
| #  | DESCRIPTION                      | QTY. | ULINE PART NO.               | MFG. PART NO. |
|----|----------------------------------|------|------------------------------|---------------|
| 1  | Handle                           | 1    | <a href="#">H-2304-HNDL</a>  | 602283        |
| 2  | Spiral Carriage Mandrel Weldment | 1    | <a href="#">H-2304-SPRL</a>  | 645894        |
| 3  | Nylon Stem Button                | 16   | <a href="#">H-2304-STEM</a>  | 302969        |
| 5  | Idler Roller Tube                | 1    | <a href="#">H-2304-IDTB</a>  | 503816        |
| 6  | Coated Roller Friction Pad       | 1    | <a href="#">H-2304-PAD</a>   | 520029        |
| 7  | Coated Roller                    | 1    | <a href="#">H-2304-CTDRL</a> | 645906.4      |
| 8  | Urethane Brake Sleeve            | 1    | <a href="#">H-2304-RING</a>  | 520153        |
| 9  | Handle Grip                      | 2    | <a href="#">H-295-2</a>      | 309002        |
| 10 | Bearing – 22 x 57.65 x 19 mm     | 2    | <a href="#">H-2304-78BR</a>  | 305607        |
| 11 | Idler Roller Shaft               | 1    | <a href="#">H-2304-IDST</a>  | 503815        |
| 12 | Bearing                          | 2    | <a href="#">H-2304-12BR</a>  | 304207        |
| 13 | HHCS – 5/16-18 x 3/4"            | 2    | <a href="#">H-2304-HHCS</a>  | 202317        |
| 14 | Lock Washer – 5/16"              | 2    | <a href="#">H-2304-14</a>    | 204059        |
| 16 | Knob                             | 1    | <a href="#">H-2304-HANDL</a> | 309222        |
| 17 | Set Screw – 3/8-24 x 2"          | 1    | <a href="#">H-2319-SSCRW</a> | 212054        |
| 18 | Roll Pin – 3/16 x 5/8"           | 1    | <a href="#">H-2304-18</a>    | 204161        |
| 19 | SHCS – 1/4-20 x 1"               | 8    | <a href="#">H-2304-SHCS</a>  | 203625        |
| 20 | Nut, Nyloc – 1/4-20"             | 8    | <a href="#">H-2304-NUT</a>   | 201112        |
| 21 | Flat Washer – 1/4"               | 16   | <a href="#">H-2304-WASH</a>  | 204558        |
| 22 | Fender Washer – 3/8 x 1.50"      | 2    | <a href="#">H-2304-FWASH</a> | 204800        |
| 23 | Film Mandrel, Complete           | 1    | <a href="#">H-2304-MNDL</a>  | 702535        |

**ULINE** H-2304  
**MANUAL STRETCH WRAP  
MACHINE**

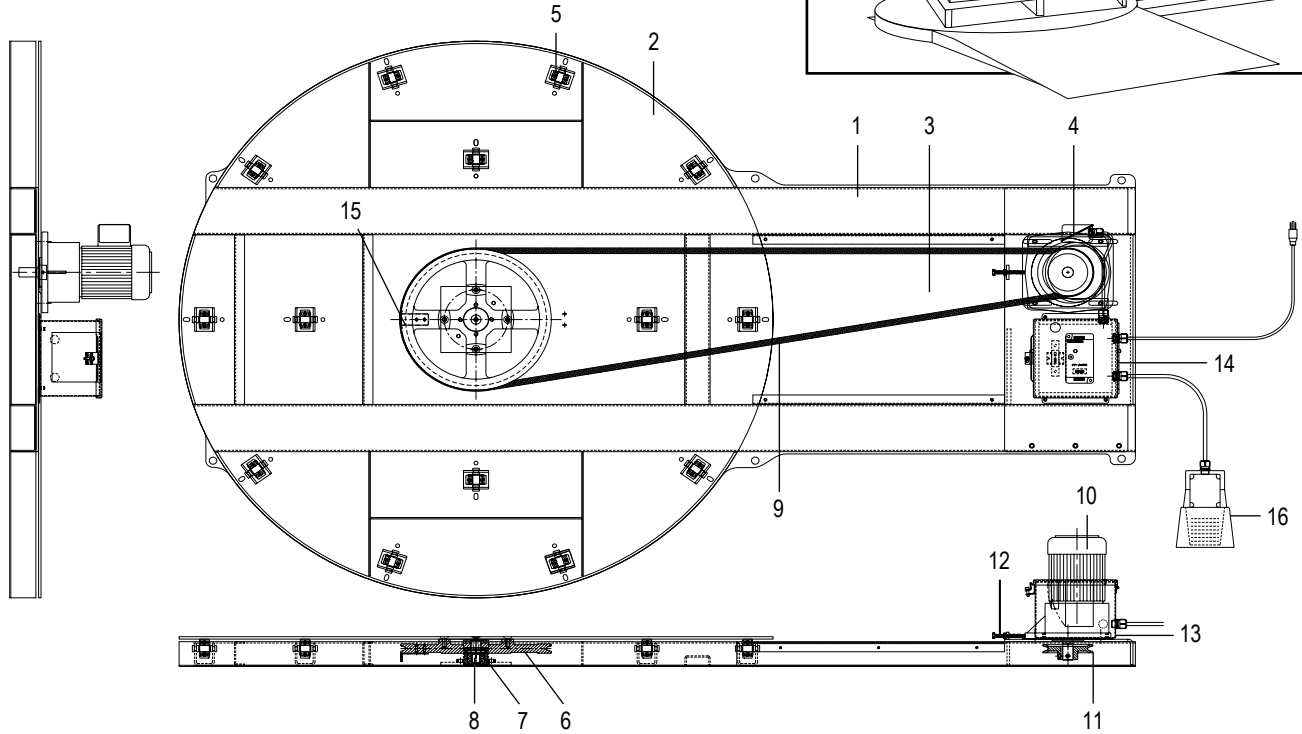
1-800-295-5510  
uline.com

ELECTRICAL

| #  | DESCRIPTION                  | QTY.   | ULINE PART NO.               | MFG. PART NO. |
|----|------------------------------|--------|------------------------------|---------------|
| 1  | Enclosure                    | 1      | <a href="#">H-2303-EENCQ</a> | 404525        |
| 2  | Cord Set – 18 ft.            | 1      | <a href="#">H-2303-PCORD</a> | 403051        |
| 3  | Foot Switch Cable            | 10 FT. | <a href="#">H-2303-10CBL</a> | 403917        |
| 4  | Foot Switch, Maintained      | 1      | <a href="#">H-1287-PEDAL</a> | 403383        |
| 5  | Cord Grip M20                | 1      | -----                        | 403389        |
| 6  | Motor Cable – 3 Conductor    | 2 FT.  | <a href="#">H-2303-MCBL</a>  | 402394        |
| 7  | Cord Grip – 1/2" NPT         | 2      | -----                        | 403790        |
| 8  | Cord Grip Nut – 1/2" NPT     | 3      | -----                        | 403779        |
| 9  | Frequency Drive – 1 HP       | 1      | <a href="#">H-2303-ACDRV</a> | 408463        |
| 10 | Circuit Breaker – 15A        | 1      | <a href="#">H-2303-CB</a>    | 404515        |
| 11 | Paddle Switch                | 1      | <a href="#">H-2303-IS</a>    | 406096        |
| 12 | Cord Grip with Strain Relief | 1      | -----                        | 406574        |

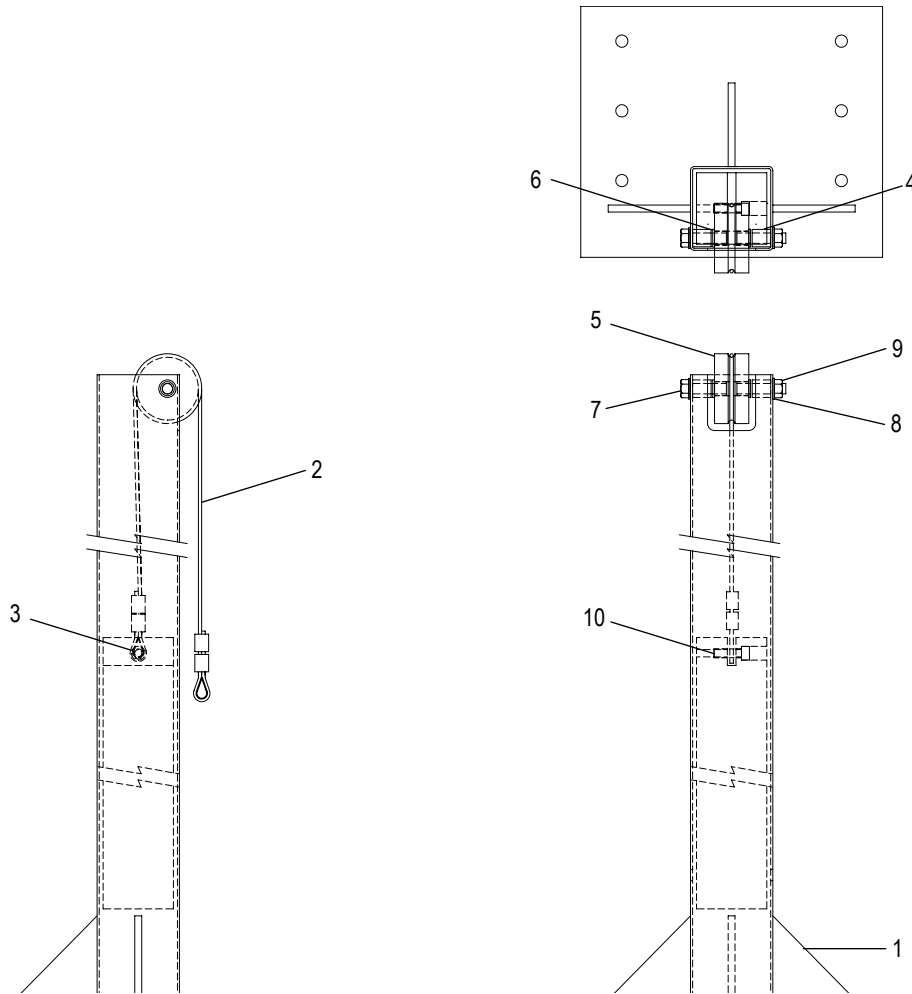


**PLATAFORMA GIRATORIA**

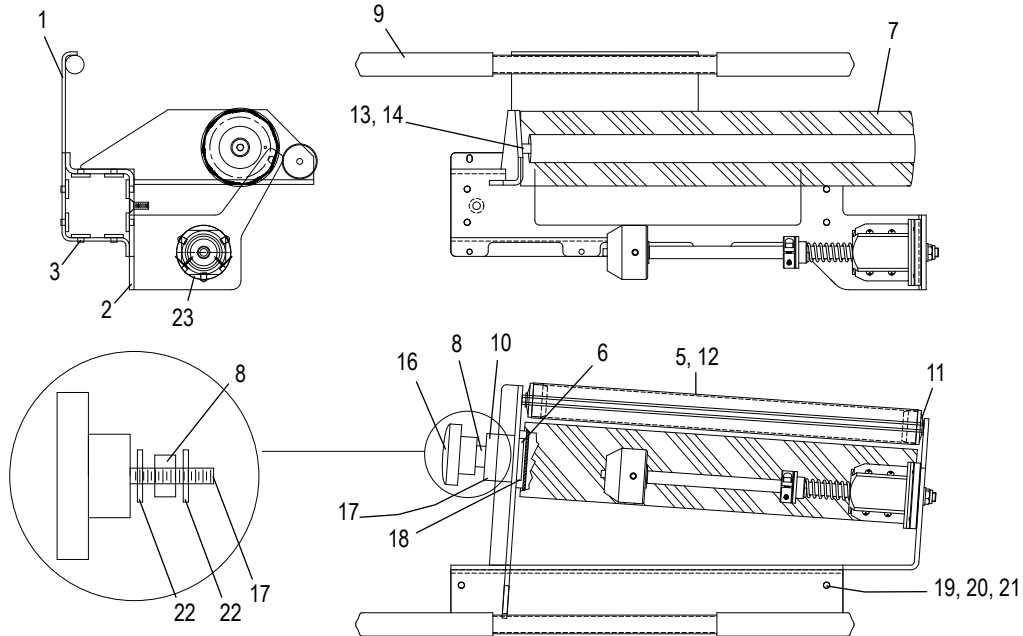


| #  | DESCRIPCIÓN                               | CANT.  | NO. DE PARTE DE ULINE        | NO. DE PARTE DEL FABRICANTE |
|----|---|--------|------------------------------|-----------------------------|
| 1  | Soldadura de la Estructura                | 1      | -----                        | 600171                      |
| 2  | Parte Superior de la Plataforma Giratoria | 1      | -----                        | 503451                      |
| 3  | Cubierta del Armazón                      | 1      | -----                        | 503452                      |
| 4  | Tira Reductora de Perno                   | 2      | <a href="#">H-2304-RDCRQ</a> | 503453                      |
| 5  | Ensamble del Seguidor de Leva             | 14     | <a href="#">H-2304-5CFA</a>  | 702307                      |
| 6  | Soldadura del Engrane - 72T               | 1      | <a href="#">H-2304-06</a>    | 602386                      |
| 7  | Cojinete de Empuje                        | 1      | <a href="#">H-2304-THRUS</a> | 303703                      |
| 8  | Ensamble del Poste Principal              | 1      | <a href="#">H-2304-KING</a>  | 700058                      |
| 9a | Cadena, #50-1                             | 13 FT. | <a href="#">H-2304-13CHN</a> | 305029                      |
| 9b | Eslabón Maestro, #50-1                    | 1      | <a href="#">H-2304-CHLNK</a> | 305175                      |
| 10 | Motor Reductor, 1/2 HP, 40:1              | 1      | <a href="#">H-1287-GEAR</a>  | 305357                      |
| 11 | Engrane, 50B1126h                         | 1      | <a href="#">H-3204-SPRKQ</a> | 305943                      |
| 12 | Perno Roscado de 5/16-18 x 3 HH           | 1      | <a href="#">H-2304-3HHQ</a>  | 203524                      |
| 13 | Espaciador de Motor de Engrane Grueso     | 1      | <a href="#">H-2304-GEARQ</a> | 503450                      |
| 14 | Ensamble de los Controles Eléctricos      | 1      | <a href="#">H-2304-CA</a>    | 700503                      |
| 15 | Objetivo de Proximidad                    | 1      | <a href="#">H-2304PRXSCQ</a> | 503590                      |
| 16 | Pedal                                     | 1      | <a href="#">H-2304-STEPQ</a> | 503588                      |
|    | Tira de Caucho (No se Muestra)            | 2      | -----                        | 503589                      |
|    | 2012-28 MM Casquillo (No se Muestra)      | 1      | -----                        | 303911                      |
|    | Agarre del Cordón (No se muestra)         | 1      | <a href="#">H-2304-CORDG</a> | 403384                      |

**TORRE**



| #  | DESCRIPCIÓN                                  | CANT. | NO. DE PARTE DE ULINE        | NO. DE PARTE DEL FABRICANTE |
|----|--|-------|------------------------------|-----------------------------|
| 1  | Soldadura de Torre de 80"                    | 1     | <a href="#">H-2304-TWRQ</a>  | 646125                      |
| 2  | Ensamble del Cable en Espiral                | 1     | <a href="#">H-2304-2SCA</a>  | 745908                      |
| 3  | Contrapeso                                   | 1     | -----                        | 526542                      |
| 4  | Separador de la Polea                        | 2     | <a href="#">H-2304-TPULL</a> | 526543                      |
| 5  | Polea  | 1     | <a href="#">H-2304-PLLY</a>  | 520151                      |
| 6  | Casquillo                                    | 2     | <a href="#">H-2304-BUSH</a>  | 305369                      |
| 7  | Tornillo de Cabeza Hexagonal de 3/8-16 x 3.5 | 1     | <a href="#">H-2304-HHCSQ</a> | 202629                      |
| 8  | Rondana Plana de 3/8                         | 4     | <a href="#">H-2304-FLATQ</a> | 204560                      |
| 9  | Contratuercas de Nylon de 3/8-16             | 2     | <a href="#">H-2304-JAMQ</a>  | 201121                      |
| 10 | Tornillo de Cabeza Hueca de 5/16-18 x 1.00   | 1     | <a href="#">H-2304-SHCSQ</a> | 203660                      |

**CARRO PARA PELÍCULA**


| #  | DESCRIPCIÓN                                    | CANT. | NO. DE PARTE DE ULINE        | NO. DE PARTE DEL FABRICANTE |
|----|--|-------|------------------------------|-----------------------------|
| 1  | Asa  | 1     | <a href="#">H-2304-HNDL</a>  | 602283                      |
| 2  | Soldadura del Mandril de Carro en Espiral      | 1     | <a href="#">H-2304-SPRL</a>  | 645894                      |
| 3  | Botón de Vástago de Nylon                      | 16    | <a href="#">H-2304-STEM</a>  | 302969                      |
| 5  | Tubo del Rodillo Intermedio                    | 1     | <a href="#">H-2304-IDTB</a>  | 503816                      |
| 6  | Almohadilla de Fricción del Rodillo Recubierto | 1     | <a href="#">H-2304-PAD</a>   | 520029                      |
| 7  | Rodillo Recubierto                             | 1     | <a href="#">H-2304-CTDRL</a> | 645906.4                    |
| 8  | Funda del Freno de Uretano                     | 1     | <a href="#">H-2304-RING</a>  | 520153                      |
| 9  | Agarre del Asa                                 | 2     | <a href="#">H-295-2</a>      | 309002                      |
| 10 | Balero   | 2     | <a href="#">H-2304-78BR</a>  | 305607                      |
| 11 | Eje del Rodillo Intermedio                     | 1     | <a href="#">H-2304-IDST</a>  | 503815                      |
| 12 | Balero   | 2     | <a href="#">H-2304-12BR</a>  | 304207                      |
| 13 | Tornillo de Cabeza Hexagonal de 5/16-18 x 3/4  | 2     | <a href="#">H-2304-HHCS</a>  | 202317                      |
| 14 | Rondana de Seguridad de 5/16                   | 2     | <a href="#">H-2304-14</a>    | 204059                      |
| 16 | Perilla  | 1     | <a href="#">H-2304-HANDL</a> | 309222                      |
| 17 | Tornillo de Ajuste, 3/8-24 x 2                 | 1     | <a href="#">H-2319-SSCRW</a> | 212054                      |
| 18 | Clavija del Rodillo, 3/16 x 5/8                | 1     | <a href="#">H-2304-18</a>    | 204161                      |
| 19 | Tornillo de Cabeza Hueca de 1/4-20 x 1"        | 8     | <a href="#">H-2304-SHCS</a>  | 203625                      |
| 20 | Tuerca, Nyloc, 1/4-20                          | 8     | <a href="#">H-2304-NUT</a>   | 201112                      |
| 21 | Rondana Plana, 1/4                             | 16    | <a href="#">H-2304-WASH</a>  | 204558                      |
| 22 | Tuerca Ancha de 3/8 x 1.50                     | 2     | <a href="#">H-2304-FWASH</a> | 204800                      |
| 23 | Mandril Completo para Película                 | 1     | <a href="#">H-2304-MNDL</a>  | 702535                      |

**ELÉCTRICO**

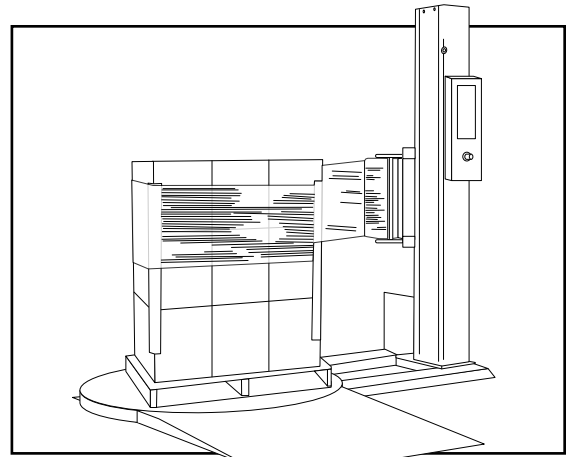
| #  | DESCRIPCIÓN                              | CANT.  | NO. DE PARTE DE ULINE        | NO. DE PARTE DEL FABRICANTE |
|----|--|--------|------------------------------|-----------------------------|
| 1  | Cubierta                                 | 1      | <a href="#">H-2303-EENCQ</a> | 404525                      |
| 2  | Set de Cables- 18 ft                     | 1      | <a href="#">H-2303-PCORD</a> | 403051                      |
| 3  | Cable del Interruptor de Pedal           | 10 FT. | <a href="#">H-2303-10CBL</a> | 403917                      |
| 4  | Interruptor de Pedal, Mantenido          | 1      | <a href="#">H-1287-PEDAL</a> | 403383                      |
| 5  | Agarre del Cable M20                     | 1      | -----                        | 403389                      |
| 6  | Cable del Motor – Conductor 3            | 2 FT.  | <a href="#">H-2303-MCBL</a>  | 402394                      |
| 7  | Agarre del Cable, 1/2" NPT               | 2      | -----                        | 403790                      |
| 8  | Tuerca del Agarre del Cable, 1/2" NPT    | 3      | -----                        | 403779                      |
| 9  | Motor de Frecuencia – 1 HP               | 1      | <a href="#">H-2303-ACDRV</a> | 408463                      |
| 10 | Cortacircuitos – 15A                     | 1      | <a href="#">H-2303-CB</a>    | 404515                      |
| 11 | Interruptor de Parada                    | 1      | <a href="#">H-2303-TS</a>    | 406096                      |
| 12 | Agarre del Cable con Reductor de Tensión | 1      | -----                        | 406574                      |

# ULINE H-2304

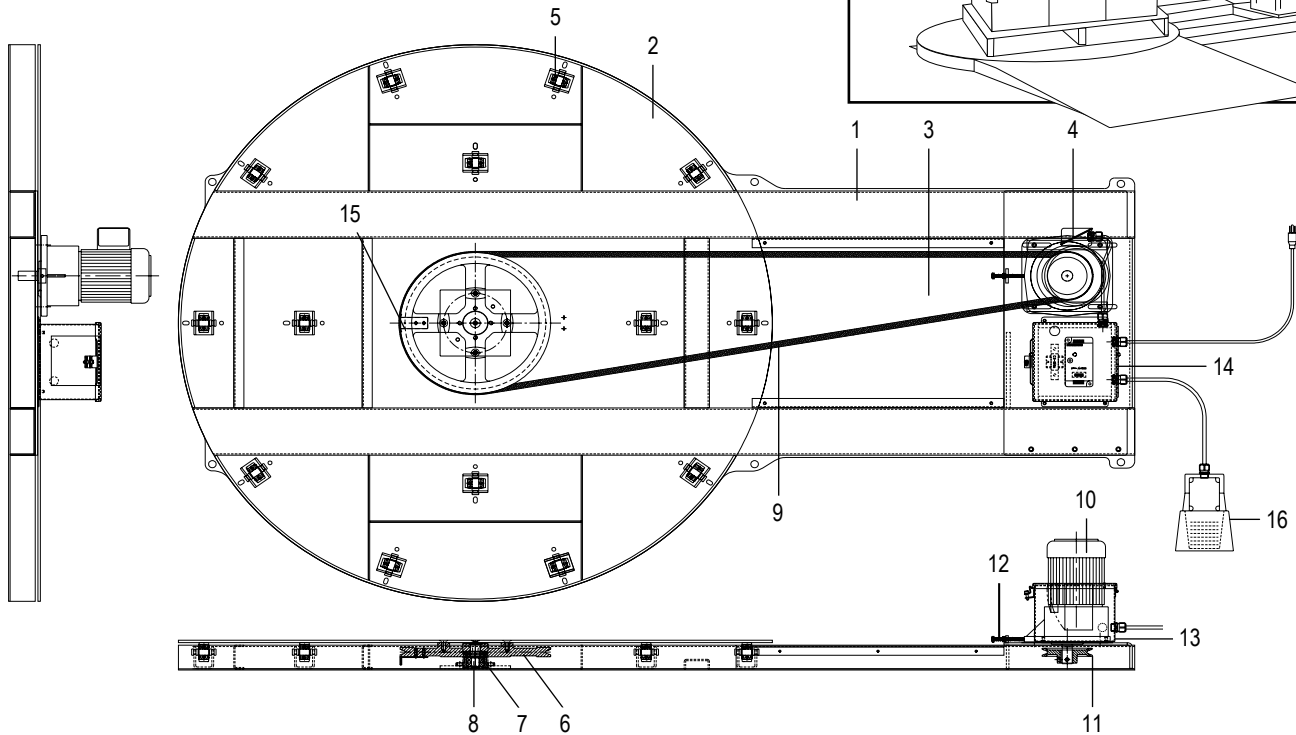
## MACHINE À FILM

### ÉTIRABLE MANUELLE

1-800-295-5510  
uline.com



#### PLAQUE TOURNANTE

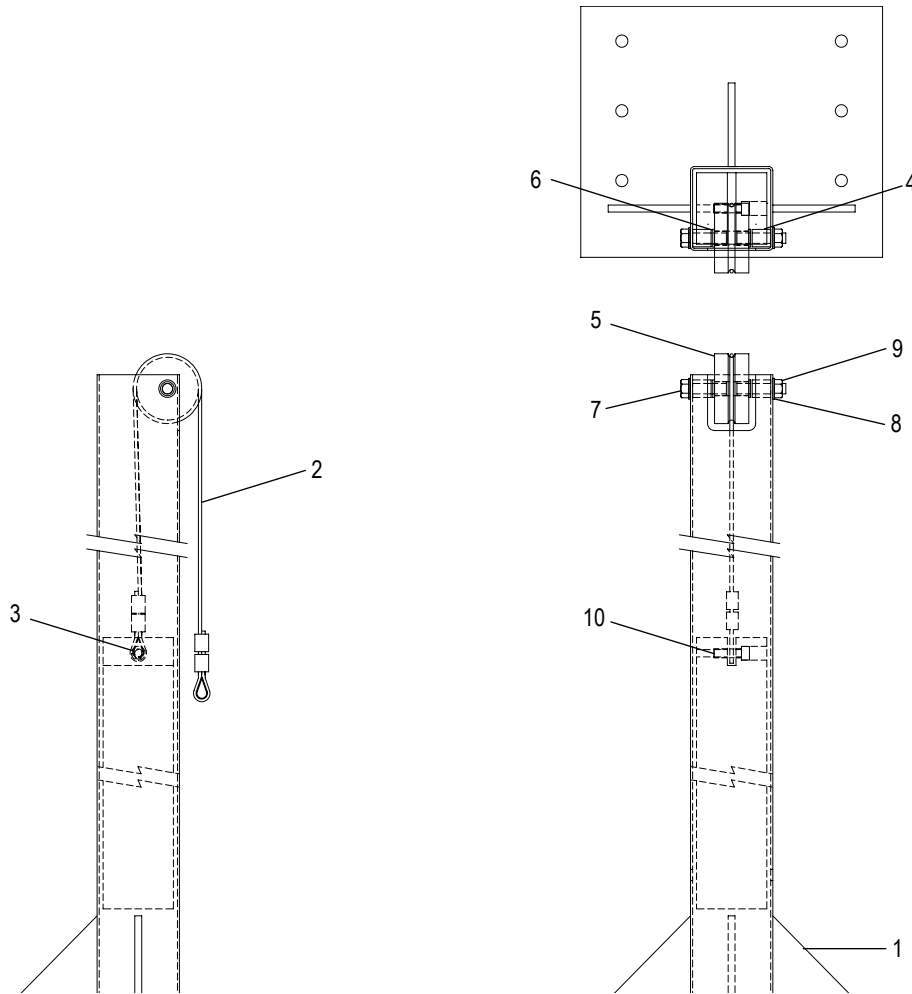


| #  | DESCRIPTION                                    | QTÉ   | RÉF. ULINE                   | RÉF. DU FABRICANT |
|----|--|-------|------------------------------|-------------------|
| 1  | Ensemble soudé de la structure                 | 1     | -----                        | 600171            |
| 2  | Partie supérieure de la plaque tournante       | 1     | -----                        | 503451            |
| 3  | Capot de la structure                          | 1     | -----                        | 503452            |
| 4  | Bande à boulon de réduction                    | 2     | <a href="#">H-2304-RDCRQ</a> | 503453            |
| 5  | Ensemble de galet de came                      | 14    | <a href="#">H-2304-5CFA</a>  | 702307            |
| 6  | Ensemble soudé du pignon – 72T                 | 1     | <a href="#">H-2304-06</a>    | 602386            |
| 7  | Palier de butée                                | 1     | <a href="#">H-2304-THRUS</a> | 303703            |
| 8  | Ensemble du mât                                | 1     | <a href="#">H-2304-KING</a>  | 700058            |
| 9a | Chaîne, n° 50-1                                | 13 PI | <a href="#">H-2304-13CHN</a> | 305029            |
| 9b | Maillon maître, n° 50-1                        | 1     | <a href="#">H-2304-CHLNK</a> | 305175            |
| 10 | Moteur à engrenages, 1/2 HP, 40:1              | 1     | <a href="#">H-1287-GEAR</a>  | 305357            |
| 11 | Pignon, 50Bfl26h                               | 1     | <a href="#">H-3204-SPRKQ</a> | 305943            |
| 12 | Boulon à tête hexagonale 5/16-18 x 3           | 1     | <a href="#">H-2304-3HHQ</a>  | 203524            |
| 13 | Entretoise épaisse du moteur à engrenages      | 1     | <a href="#">H-2304-GEARQ</a> | 503450            |
| 14 | Ensemble des commandes électriques             | 1     | <a href="#">H-2304-CA</a>    | 700503            |
| 15 | Disque Prox                                    | 1     | <a href="#">H-2304PRXSCQ</a> | 503590            |
| 16 | Pédale   | 1     | <a href="#">H-2304-STEPQ</a> | 503588            |
|    | Bande de friction (non illustré)               | 2     | -----                        | 503589            |
|    | Bague 2012-28 MM (non illustré)                | 1     | -----                        | 303911            |
|    | Dispositif de retenue du cordon (non illustré) | 1     | <a href="#">H-2304-CORDG</a> | 403384            |

**ULINE H-2304**  
**MACHINE À FILM**  
**ÉTIRABLE MANUELLE**

1-800-295-5510  
 uline.com

TOUR



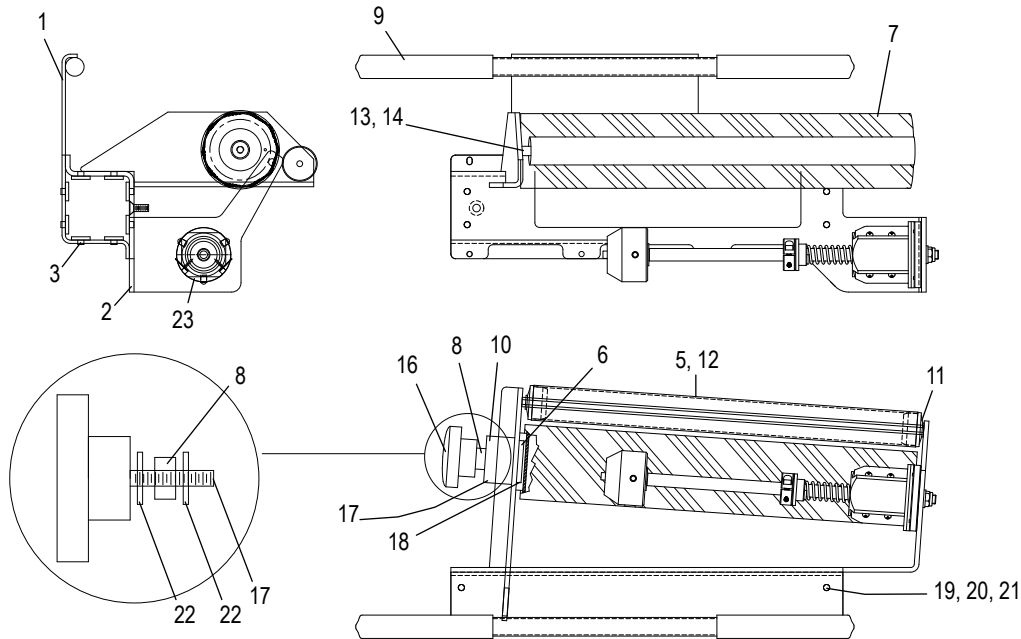
| #  | DESCRIPTION                              | QTÉ | RÉF. ULINE                   | RÉF. DU FABRICANT |
|----|--|-----|------------------------------|-------------------|
| 1  | Ensemble soudé de la tour de 2 m (80 po) | 1   | <a href="#">H-2304-TWRQ</a>  | 646125            |
| 2  | Ensemble de câbles spiralés              | 1   | <a href="#">H-2304-2SCA</a>  | 745908            |
| 3  | Contrepoids                              | 1   | -----                        | 526542            |
| 4  | Entretoise de poulie                     | 2   | <a href="#">H-2304-TPULL</a> | 526543            |
| 5  | Poulie                                   | 1   | <a href="#">H-2304-PLLY</a>  | 520151            |
| 6  | Bague                                    | 2   | <a href="#">H-2304-BUSH</a>  | 305369            |
| 7  | Vis à tête hexagonale 3/8-16 x 3,5       | 1   | <a href="#">H-2304-HHCSQ</a> | 202629            |
| 8  | Rondelle plate 3/8                       | 4   | <a href="#">H-2304-FLATQ</a> | 204560            |
| 9  | Contre-écrou en nylon 3/8-16             | 2   | <a href="#">H-2304-JAMQ</a>  | 201121            |
| 10 | Vis à six pans creux 5/16-18 x 1,00      | 1   | <a href="#">H-2304-SHCSQ</a> | 203660            |

# ULINE H-2304

## MACHINE À FILM ÉTIRABLE MANUELLE

1-800-295-5510  
uline.com

### CHARIOT PORTE-BOBINE



| #  | DESCRIPTION                                  | QTÉ | RÉF. ULINE                   | RÉF. DU FABRICANT |
|----|--|-----|------------------------------|-------------------|
| 1  | Poignée                                      | 1   | <a href="#">H-2304-HNDL</a>  | 602283            |
| 2  | Ensemble soudé du mandrin de chariot spiralé | 1   | <a href="#">H-2304-SPRL</a>  | 645894            |
| 3  | Bouton à tige en nylon                       | 16  | <a href="#">H-2304-STEM</a>  | 302969            |
| 5  | Tube de rouleau-guide                        | 1   | <a href="#">H-2304-IDTB</a>  | 503816            |
| 6  | Plaque de frottement de rouleau gainé        | 1   | <a href="#">H-2304-PAD</a>   | 520029            |
| 7  | Rouleau gainé                                | 1   | <a href="#">H-2304-CTDRL</a> | 645906.4          |
| 8  | Manchon de frein en uréthane                 | 1   | <a href="#">H-2304-RING</a>  | 520153            |
| 9  | Poignée                                      | 2   | <a href="#">H-295-2</a>      | 309002            |
| 10 | Palier                                       | 2   | <a href="#">H-2304-78BR</a>  | 305607            |
| 11 | Arbre de rouleau-guide                       | 1   | <a href="#">H-2304-IDST</a>  | 503815            |
| 12 | Palier                                       | 2   | <a href="#">H-2304-12BR</a>  | 304207            |
| 13 | Vis à tête hexagonale 5/16-18 x 3/4          | 2   | <a href="#">H-2304-HHCS</a>  | 202317            |
| 14 | Rondelle de blocage 5/16                     | 2   | <a href="#">H-2304-14</a>    | 204059            |
| 16 | Bouton                                       | 1   | <a href="#">H-2304-HANDL</a> | 309222            |
| 17 | Vis de réglage 3/8-24 x 2                    | 1   | <a href="#">H-2319-SSCRW</a> | 212054            |
| 18 | Goupille cylindrique 3/16 x 5/8              | 1   | <a href="#">H-2304-18</a>    | 204161            |
| 19 | Vis à six pans creux 1/4-20 x 1 po           | 8   | <a href="#">H-2304-SHCS</a>  | 203625            |
| 20 | Écrou à frein élastique 1/4-20               | 8   | <a href="#">H-2304-NUT</a>   | 201112            |
| 21 | Rondelle plate 1/4                           | 16  | <a href="#">H-2304-WASH</a>  | 204558            |
| 22 | Rondelle de protection 3/8 x 1,50            | 2   | <a href="#">H-2304-FWASH</a> | 204800            |
| 23 | Mandrin de film assemblé                     | 1   | <a href="#">H-2304-MNDL</a>  | 702535            |

**ULINE H-2304**  
**MACHINE À FILM**  
**ÉTIRABLE MANUELLE**

1-800-295-5510  
 uline.com

ALIMENTATION

| #  | DESCRIPTION  | QTÉ   | RÉF. ULINE                   | RÉF. DU FABRICANT |
|----|--|-------|------------------------------|-------------------|
| 1  | Boîtier  | 1     | <a href="#">H-2303-EENCQ</a> | 404525            |
| 2  | Ensemble du cordon – 18 pi                           | 1     | <a href="#">H-2303-PCORD</a> | 403051            |
| 3  | Câble d'interrupteur au pied                         | 10 PI | <a href="#">H-2303-10CBL</a> | 403917            |
| 4  | Interrupteur au pied à action maintenue              | 1     | <a href="#">H-1287-PEDAL</a> | 403383            |
| 5  | Dispositif de retenue du cordon M20                  | 1     | -----                        | 403389            |
| 6  | Câble de moteur – 3 conducteurs                      | 2 PI  | <a href="#">H-2303-MCBL</a>  | 402394            |
| 7  | Dispositif de retenue du cordon, NPT 1/2 po          | 2     | -----                        | 403790            |
| 8  | Écrou du dispositif de retenue du cordon, NPT 1/2 po | 3     | -----                        | 403779            |
| 9  | Entraînement à fréquence – 1 HP                      | 1     | <a href="#">H-2303-ACDRV</a> | 408463            |
| 10 | Disjoncteur – 15 A                                   | 1     | <a href="#">H-2303-CB</a>    | 404515            |
| 11 | Interrupteur à palette                               | 1     | <a href="#">H-2303-TS</a>    | 406096            |
| 12 | Dispositif de retenue du cordon avec serre-câble     | 1     | -----                        | 406574            |