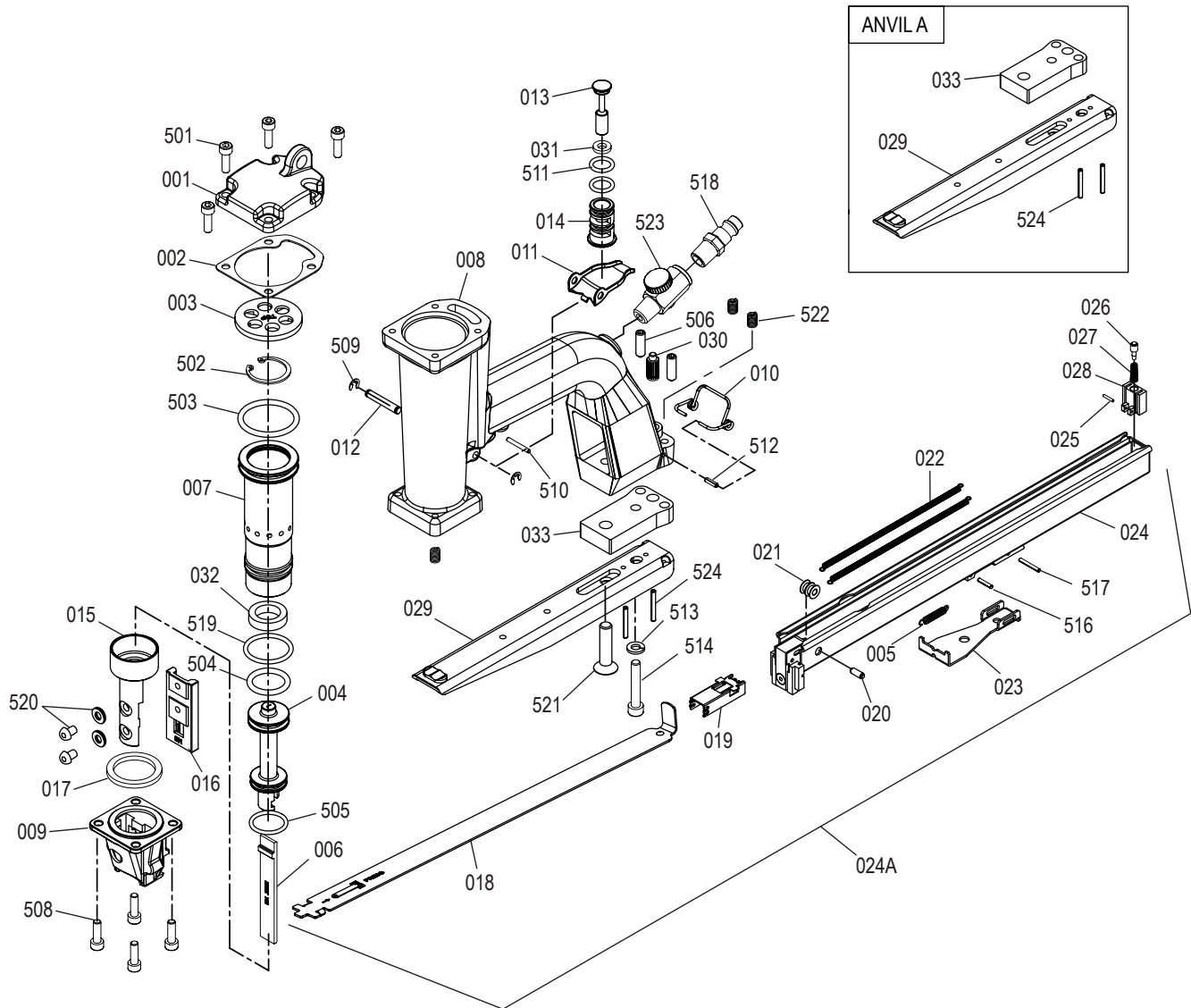


# ULINE H-3068

## PNEUMATIC PLIER STAPLER

1-800-295-5510  
 uline.com



#	DESCRIPTION	QTY.	ULINE PART NO.	MFG. PART NO.
001	Cap	1	<a href="#">H-3068-CAP</a>	A05500101
002	Packing	1	<a href="#">H-3068-PCKNG</a>	A05500201
003	Bumper	1	<a href="#">H-3068-00301</a>	A05500301
004	Driver Piston	1	<a href="#">H-3068-05500</a>	A05500401
005	Spring	1	<a href="#">H-3068-SP005</a>	A05500501
006	Driver	1	<a href="#">H-3068-00601</a>	A05500601
007	Cylinder	1	<a href="#">H-3068-7</a>	A05500701
008	Body	1	<a href="#">H-3068-BODY</a>	A05500803A
009	Guide	1	<a href="#">H-3068-00902</a>	A05500902
010	Spring	1	<a href="#">H-3068-SPRNG</a>	A05501001
011	Trigger	1	<a href="#">H-3068-TRIGG</a>	A05501101
012	Rod	1	<a href="#">H-3068-ROD12</a>	A05501201

**ULINE H-3068**  
**PNEUMATIC PLIER STAPLER**

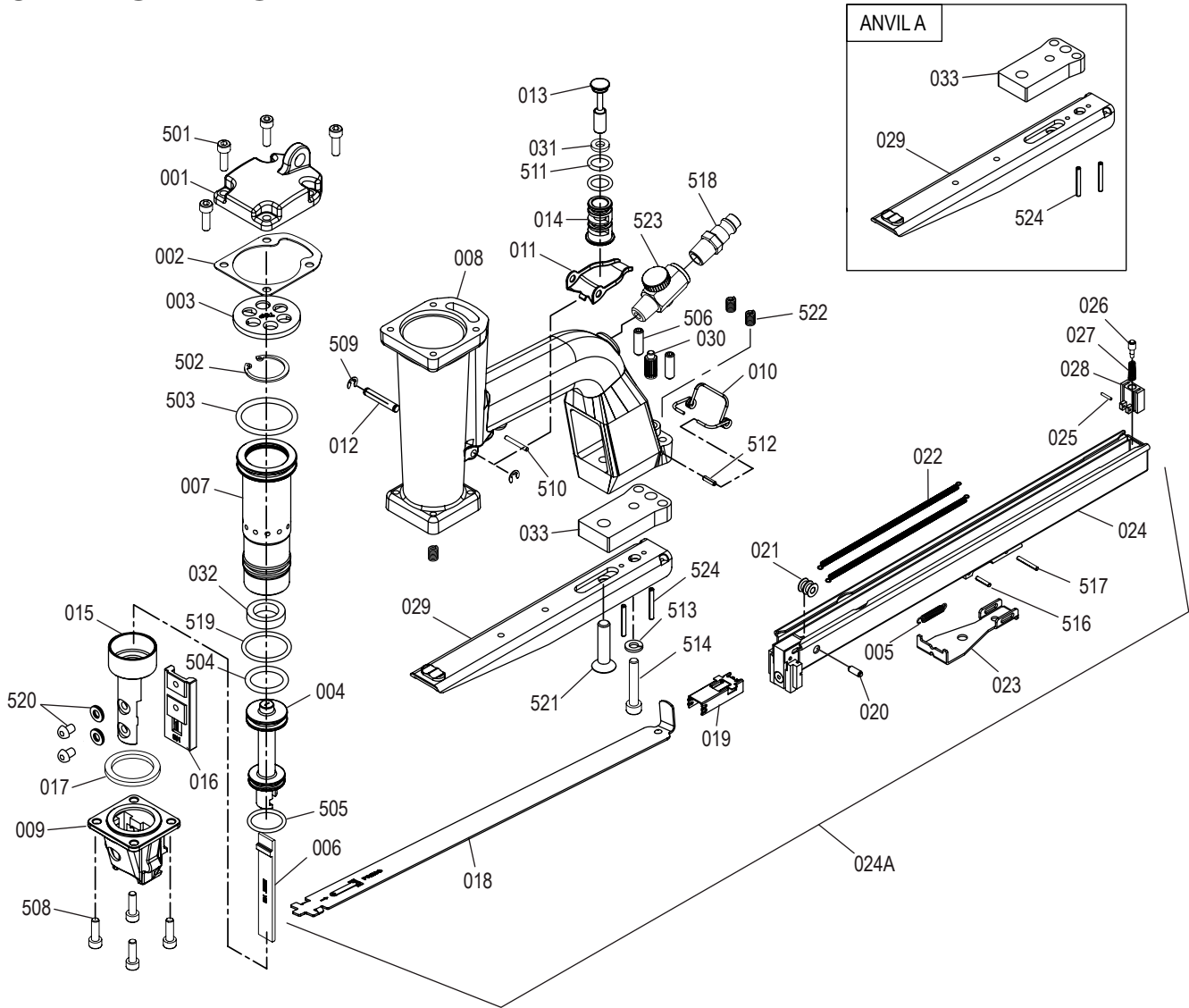
1-800-295-5510  
 uline.com

#	DESCRIPTION	QTY.	ULINE PART NO.	MFG. PART NO.
013	Valve	1	<a href="#">H-3068-01301</a>	A05501301
014	Tube	1	<a href="#">H-3068-TUBE</a>	A05501401
015	Sleeve	1	<a href="#">H-3068-15</a>	A05501501
016	Driver Guide	1	<a href="#">H-3068-01601</a>	A05501601
017	Bumper	1	<a href="#">H-3068BUMPER</a>	A05501701
018	Cover Unit	1	<a href="#">H-3068-COVER</a>	A05501902A
019	Pusher	1	<a href="#">H-3068-02401</a>	A05502401
020	Rod	1	<a href="#">H-3068-02601</a>	A05502601
021	Roller	1	<a href="#">H-3068-02501</a>	A05502501
022	Spring	2	<a href="#">H-3068-02301</a>	A05502301
023	Magazine Clamp	1	<a href="#">H-3068-23</a>	A05502701
024	Magazine Set	1	<a href="#">H-3068-MAGST</a>	A05503401A
024A	Magazine Assembly	1	<a href="#">H-3068-MAGAS</a>	SP50-P2
025	Rod	1	<a href="#">H-3068-02201</a>	A05502201
026	Rod	1	<a href="#">H-3068-02001</a>	A05502001
027	Spring	1	<a href="#">H-3068-04001</a>	A05504001
028	Block	1	<a href="#">H-3068-02101</a>	A05502101
029	Anvil A	1	<a href="#">H-3068-3001A</a>	A05503001A
030	Rod	1	<a href="#">H-3068-04101</a>	A05504101
031	Seal	1	<a href="#">H-3068-04201</a>	A05504201
032	Protect Washer	1	<a href="#">H-3068-04401</a>	A05504401
033	Spacer	1	<a href="#">H-3068-04601</a>	A05504601
501	Hexagonal Socket Head Bolt	4	<a href="#">H-3068-501</a>	BAC0605202
502	C-Ring	1	<a href="#">H-3068-CRING</a>	BAF22802
503	O-Ring	1	<a href="#">H-3068-35337</a>	BAB035337
504	O-Ring	1	<a href="#">H-3068-35214</a>	BAB035214
505	O-Ring	1	<a href="#">H-3068-24208</a>	BAB026193
506	Hexagonal Socket Headless	2	<a href="#">H-3068-HX506</a>	BAC0306252
507	Heli-Coil	8	-----	BAG020502
508	Hexagonal Socket Head Bolt	4	<a href="#">H-3068-05142</a>	BAC0605142
509	E-Ring	2	<a href="#">H-3068-ERING</a>	BAF10402
510	Spring Pin	1	<a href="#">H-3068-SP510</a>	BAA025018
511	O-Ring	2	<a href="#">H-3068-24118</a>	BAB024118
512	Spring Pin	2	<a href="#">H-1028SPRGPN</a>	BAA030010
513	Spring Washer	1	<a href="#">H-3068-01062</a>	BAE01062
514	Hexagonal Socket Head Bolt	1	<a href="#">H-3068-514</a>	BAC0606352
516	Spring Pin	1	<a href="#">H-3068-SP516</a>	BAA025012
517	Spring Pin	1	<a href="#">H-3068-SP510</a>	BAA025018
518	Air Plug	1	<a href="#">H-1027-008</a>	A00100802
519	O-Ring	1	<a href="#">H-3068-26282</a>	BAB027273

**ULINE** H-3068  
**PNEUMATIC PLIER STAPLER**

1-800-295-5510  
 uline.com

#	DESCRIPTION	QTY.	ULINE PART NO.	MFG. PART NO.
520	Hexagonal Socket Head Bolt and Washer	2	<a href="#">H-3068-HSBW</a>	BAC0605073
521	Hexagonal Socket Flat Counter Sunk Head Screw	1	<a href="#">H-3068-521</a>	A05505701
522	Heli-Coil	3	<a href="#">H-1027-SCLIP</a>	BAG010602
523	Speed Controller	1	<a href="#">H-3068-I0404</a>	BAI0404
524	Spring Pin	2	<a href="#">H-3068BST-24</a>	BAA030024
	<b>Seal/O-Ring Kit</b> Includes: <ul style="list-style-type: none"> <li>• Seal #31 (1)</li> <li>• O-Ring #503 (1)</li> <li>• O-Ring #504 (1)</li> <li>• O-Ring #505 (1)</li> <li>• O-Ring #511 (2)</li> <li>• O-Ring #519 (1)</li> </ul>	1	<a href="#">H-3068-OKIT</a>	C0553022



#	DESCRIPCIÓN	CANT.	NO. DE PARTE DE ULINE	NO. DE PARTE DEL FABRICANTE
001	Tapa	1	<a href="#">H-3068-CAP</a>	A05500101
002	Empaque	1	<a href="#">H-3068-PCKNG</a>	A05500201
003	Tope	1	<a href="#">H-3068-00301</a>	A05500301
004	Pistón Impulsor	1	<a href="#">H-3068-05500</a>	A05500401
005	Resorte	1	<a href="#">H-3068-SP005</a>	A05500501
006	Impulsor	1	<a href="#">H-3068-00601</a>	A05500601
007	Cilindro	1	<a href="#">H-3068-7</a>	A05500701
008	Cuerpo	1	<a href="#">H-3068-BODY</a>	A05500803A
009	Guía	1	<a href="#">H-3068-00902</a>	A05500902
010	Resorte	1	<a href="#">H-3068-SPRNG</a>	A05501001
011	Gatillo	1	<a href="#">H-3068-TRIGG</a>	A05501101
012	Varilla	1	<a href="#">H-3068-ROD12</a>	A05501201

**ULINE H-3068**  
**ENGRAPADORA**  
**NEUMÁTICA TIPO PINZA**

800-295-5510  
 uline.mx

#	DESCRIPCIÓN	CANT.	NO. DE PARTE DE ULINE	NO. DE PARTE DEL FABRICANTE
013	Válvula	1	<a href="#">H-3068-01301</a>	A05501301
014	Tubo	1	<a href="#">H-3068-TUBE</a>	A05501401
015	Funda	1	<a href="#">H-3068-15</a>	A05501501
016	Guía del Impulsor	1	<a href="#">H-3068-01601</a>	A05501601
017	Tope	1	<a href="#">H-3068BUMPER</a>	A05501701
018	Unidad de Cubierta	1	<a href="#">H-3068-COVER</a>	A05501902A
019	Empujador	1	<a href="#">H-3068-02401</a>	A05502401
020	Varilla	1	<a href="#">H-3068-02601</a>	A05502601
021	Rodillo	1	<a href="#">H-3068-02501</a>	A05502501
022	Resorte	2	<a href="#">H-3068-02301</a>	A05502301
023	Abrazadera para Cargadores	1	<a href="#">H-3068-23</a>	A05502701
024	Set de Cargadores	1	<a href="#">H-3068-MAGST</a>	A05503401A
024A	Ensamble del Cargador	1	<a href="#">H-3068-MAGAS</a>	SP50-P2
025	Varilla	1	<a href="#">H-3068-02201</a>	A05502201
026	Varilla	1	<a href="#">H-3068-02001</a>	A05502001
027	Resorte	1	<a href="#">H-3068-04001</a>	A05504001
028	Bloque	1	<a href="#">H-3068-02101</a>	A05502101
029	Yunque A	1	<a href="#">H-3068-3001A</a>	A05503001A
030	Varilla	1	<a href="#">H-3068-04101</a>	A05504101
031	Sello	1	<a href="#">H-3068-04201</a>	A05504201
032	Rondana de Protección	1	<a href="#">H-3068-04401</a>	A05504401
033	Espaciador	1	<a href="#">H-3068-04601</a>	A05504601
501	Perno de Cabeza con Orificio Hexagonal	4	<a href="#">H-3068-501</a>	BAC0605202
502	Anillo-C	1	<a href="#">H-3068-CRING</a>	BAF22802
503	Anillo-O	1	<a href="#">H-3068-35337</a>	BAB035337
504	Anillo-O	1	<a href="#">H-3068-35214</a>	BAB035214
505	Anillo-O	1	<a href="#">H-3068-24208</a>	BAB026193
506	Perno Sin Cabeza con Orificio Hexagonal	2	<a href="#">H-3068-HX506</a>	BAC0306252
507	Bobina Helicoidal	8	-----	BAG020502
508	Perno de Cabeza con Orificio Hexagonal	4	<a href="#">H-3068-05142</a>	BAC0605142
509	Anillo-E	2	<a href="#">H-3068-ERING</a>	BAF10402
510	Perno con Resorte	1	<a href="#">H-3068-SP510</a>	BAA025018
511	Anillo-O	2	<a href="#">H-3068-24118</a>	BAB024118
512	Perno con Resorte	2	<a href="#">H-1028SPRGPN</a>	BAA030010
513	Rondana con Resorte	1	<a href="#">H-3068-01062</a>	BAE01062
514	Perno de Cabeza con Orificio Hexagonal	1	<a href="#">H-3068-514</a>	BAC0606352
516	Perno con Resorte	1	<a href="#">H-3068-SP516</a>	BAA025012
517	Perno con Resorte	1	<a href="#">H-3068-SP510</a>	BAA025018
518	Tapón de Aire	1	<a href="#">H-1027-008</a>	A00100802
519	Anillo-O	1	<a href="#">H-3068-26282</a>	BAB027273

**ULINE H-3068****ENGRAPADORA  
NEUMÁTICA TIPO PINZA**

800-295-5510

uline.mx

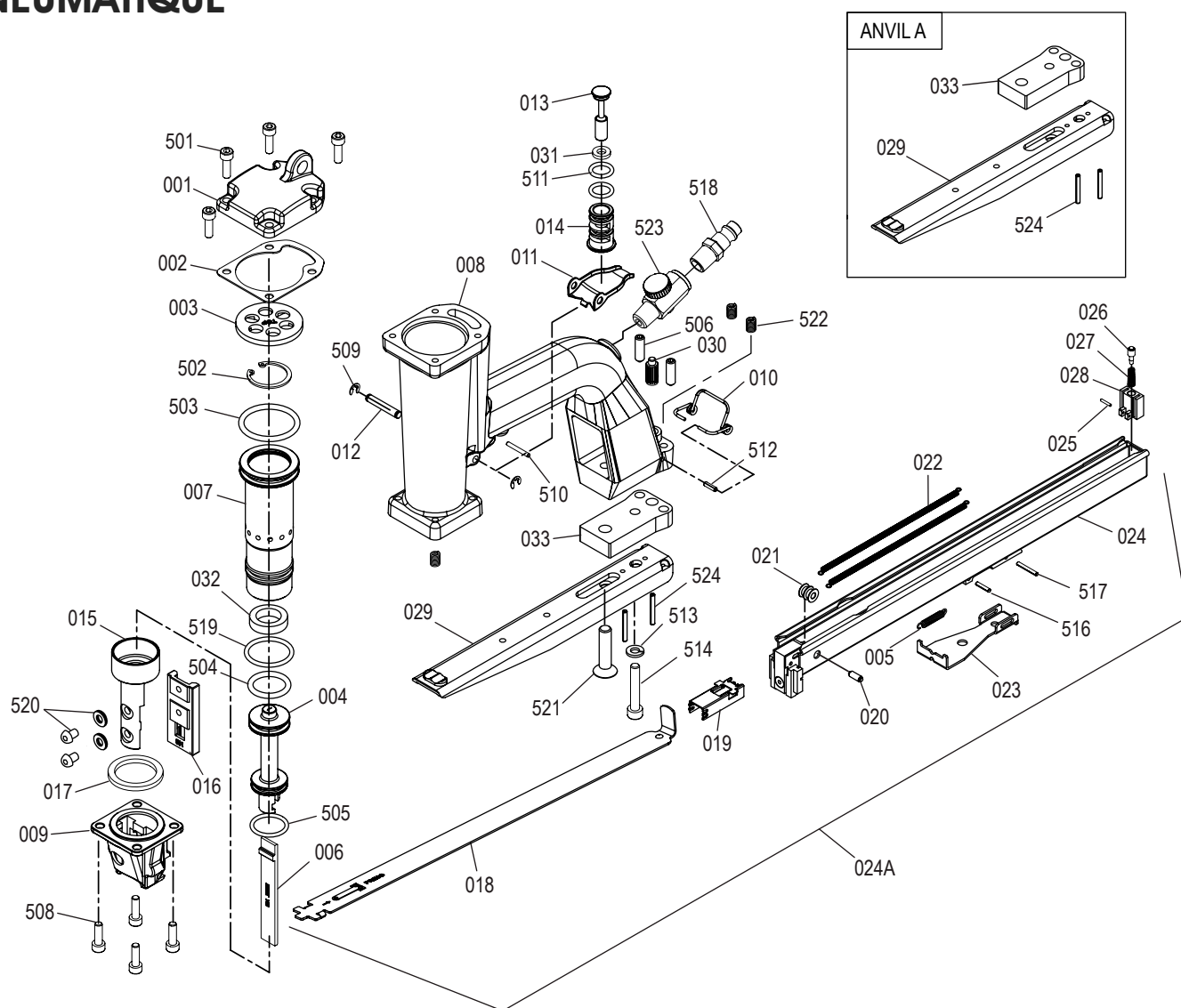
#	DESCRIPCIÓN	CANT.	NO. DE PARTE DE ULINE	NO. DE PARTE DEL FABRICANTE
520	Perno de Cabeza con Orificio Hexagonal y Rondana	2	<a href="#">H-3068-HSBW</a>	BAC0605073
521	Tornillo de Cabeza Avellanada Plana con Orificio Hexagonal	1	<a href="#">H-3068-521</a>	A05505701
522	Bobina Helicoidal	3	<a href="#">H-1027-SCLIP</a>	BAG010602
523	Controlador de Velocidad	1	<a href="#">H-3068-I0404</a>	BAI0404
524	Perno con Resorte	2	<a href="#">H-3068BST-24</a>	BAA030024
	<b>Kit de Sello/Anillo-O</b> Incluye: <ul style="list-style-type: none"><li>• Sello #31 (1)</li><li>• Anillo-O #503 (1)</li><li>• Anillo-O #504 (1)</li><li>• Anillo-O #505 (1)</li><li>• Anillo-O #511 (2)</li><li>• Anillo-O #519 (1)</li></ul>	1	<a href="#">H-3068-OKIT</a>	C0553022

# ULINE H-3068

## PINCE-AGRAFEUSE

### PNEUMATIQUE

1 800 295-5510  
uline.ca



#	DESCRIPTION	QTÉ	RÉF. ULINE	RÉF. DU FABRICANT
001	Couvercle	1	<a href="#">H-3068-CAP</a>	A05500101
002	Garniture d'étanchéité	1	<a href="#">H-3068-PCKNG</a>	A05500201
003	Butée	1	<a href="#">H-3068-00301</a>	A05500301
004	Piston de lame de poussée	1	<a href="#">H-3068-05500</a>	A05500401
005	Ressort	1	<a href="#">H-3068-SP005</a>	A05500501
006	Lame de poussée	1	<a href="#">H-3068-00601</a>	A05500601
007	Cylindre	1	<a href="#">H-3068-7</a>	A05500701
008	Corps	1	<a href="#">H-3068-BODY</a>	A05500803A
009	Guide	1	<a href="#">H-3068-00902</a>	A05500902
010	Ressort	1	<a href="#">H-3068-SPRNG</a>	A05501001
011	Détente	1	<a href="#">H-3068-TRIGG</a>	A05501101
012	Tige	1	<a href="#">H-3068-ROD12</a>	A05501201

**ULINE H-3068**  
**PINCE-AGRAFEUSE**  
**PNEUMATIQUE**

1 800 295-5510  
 uline.ca

#	DESCRIPTION	QTÉ	RÉF. ULINE	RÉF. DU FABRICANT
013	Soupape	1	<a href="#">H-3068-01301</a>	A05501301
014	Tube	1	<a href="#">H-3068-TUBE</a>	A05501401
015	Manchon	1	<a href="#">H-3068-15</a>	A05501501
016	Guide de lame de poussée	1	<a href="#">H-3068-01601</a>	A05501601
017	Butée	1	<a href="#">H-3068BUMPER</a>	A05501701
018	Couvercle	1	<a href="#">H-3068-COVER</a>	A05501902A
019	Pousseur	1	<a href="#">H-3068-02401</a>	A05502401
020	Tige	1	<a href="#">H-3068-02601</a>	A05502601
021	Rouleau	1	<a href="#">H-3068-02501</a>	A05502501
022	Ressort	2	<a href="#">H-3068-02301</a>	A05502301
023	Bride de magasin	1	<a href="#">H-3068-23</a>	A05502701
024	Magasin	1	<a href="#">H-3068-MAGST</a>	A05503401A
024A	Matériel d'assemblage du magasin	1	<a href="#">H-3068-MAGAS</a>	SP50-P2
025	Tige	1	<a href="#">H-3068-02201</a>	A05502201
026	Tige	1	<a href="#">H-3068-02001</a>	A05502001
027	Ressort	1	<a href="#">H-3068-04001</a>	A05504001
028	Bloc	1	<a href="#">H-3068-02101</a>	A05502101
029	Enclume A	1	<a href="#">H-3068-3001A</a>	A05503001A
030	Tige	1	<a href="#">H-3068-04101</a>	A05504101
031	Bague d'étanchéité	1	<a href="#">H-3068-04201</a>	A05504201
032	Rondelle de protection	1	<a href="#">H-3068-04401</a>	A05504401
033	Entretoise	1	<a href="#">H-3068-04601</a>	A05504601
501	Boulon à tête à six pans creux	4	<a href="#">H-3068-501</a>	BAC0605202
502	Anneau en C	1	<a href="#">H-3068-CRING</a>	BAF22802
503	Joint torique	1	<a href="#">H-3068-35337</a>	BAB035337
504	Joint torique	1	<a href="#">H-3068-35214</a>	BAB035214
505	Joint torique	1	<a href="#">H-3068-24208</a>	BAB026193
506	Boulon sans tête à six pans creux	2	<a href="#">H-3068-HX506</a>	BAC0306252
507	Douille filetée Heli-Coil	8	-----	BAG020502
508	Boulon à tête à six pans creux	4	<a href="#">H-3068-05142</a>	BAC0605142
509	Anneau en E	2	<a href="#">H-3068-ERING</a>	BAF10402
510	Cheville ressort	1	<a href="#">H-3068-SP510</a>	BAA025018
511	Joint torique	2	<a href="#">H-3068-24118</a>	BAB024118
512	Cheville ressort	2	<a href="#">H-1028SPRGPN</a>	BAA030010
513	Rondelle à ressort	1	<a href="#">H-3068-01062</a>	BAE01062
514	Boulon à tête à six pans creux	1	<a href="#">H-3068-514</a>	BAC0606352
516	Cheville ressort	1	<a href="#">H-3068-SP516</a>	BAA025012
517	Cheville ressort	1	<a href="#">H-3068-SP510</a>	BAA025018
518	Raccord d'air comprimé	1	<a href="#">H-1027-008</a>	A00100802
519	Joint torique	1	<a href="#">H-3068-26282</a>	BAB027273



**ULINE H-3068**  
**PINCE-AGRAFEUSE**  
**PNEUMATIQUE**

1 800 295-5510  
 uline.ca

#	DESCRIPTION	QTÉ	RÉF. ULINE	RÉF. DU FABRICANT
520	Boulon à tête à six pans creux et rondelle	2	<a href="#">H-3068-HSBW</a>	BAC0605073
521	Vis à tête plate fraisée à six pans creux	1	<a href="#">H-3068-521</a>	A05505701
522	Douille fileté Heli-Coil	3	<a href="#">H-1027-SCLIP</a>	BAG010602
523	Commande de vitesse	1	<a href="#">H-3068-I0404</a>	BAI0404
524	Cheville ressort	2	<a href="#">H-3068BST-24</a>	BAA030024
	<b>Ensemble de bague d'étanchéité/joint torique</b> comprend : <ul style="list-style-type: none"> <li>• Bague d'étanchéité n° 31 (1)</li> <li>• Joint torique n° 503 (1)</li> <li>• Joint torique n° 504 (1)</li> <li>• Joint torique n° 505 (1)</li> <li>• Joint torique n° 511 (2)</li> <li>• Joint torique n° 519 (1)</li> </ul>	1	<a href="#">H-3068-OKIT</a>	C0553022