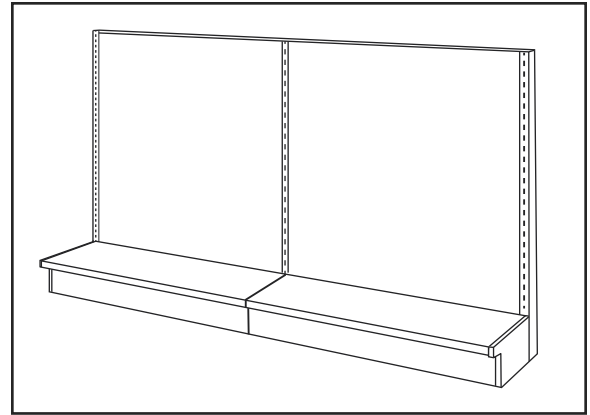


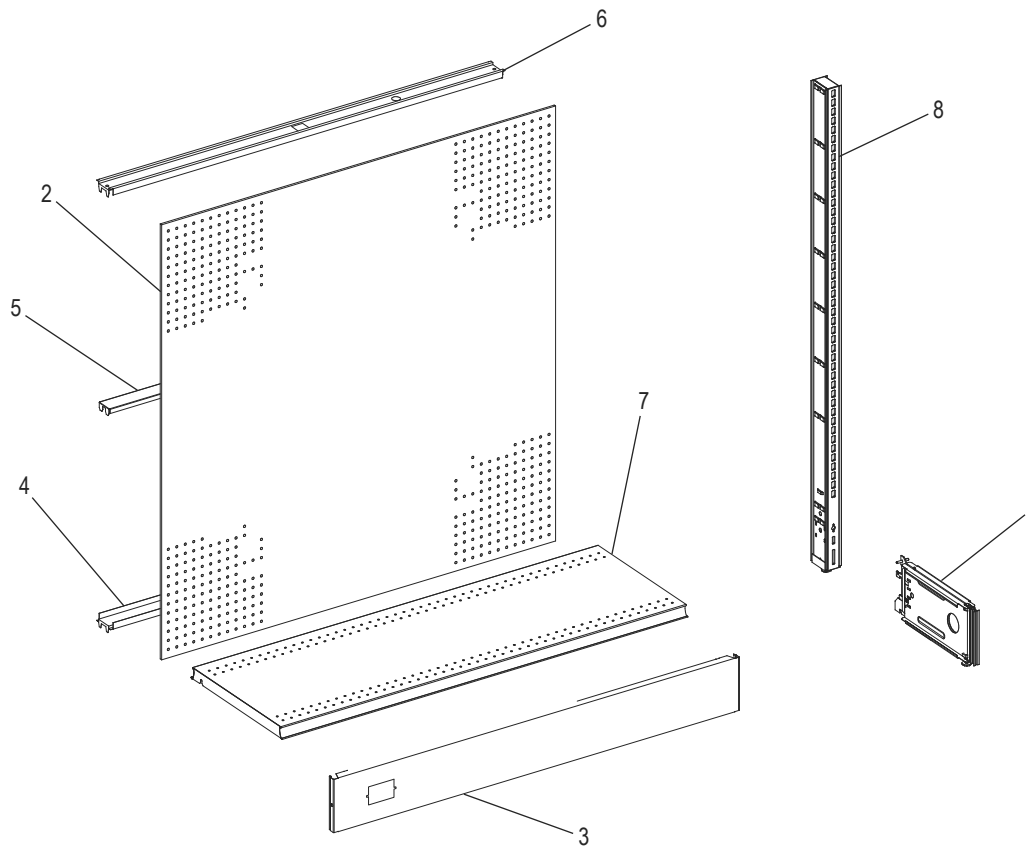
ULINE H-3873-ADD

SINGLE-SIDED GONDOLA SHELVING

1-800-295-5510
 uline.com



4' WALL ADD-ON

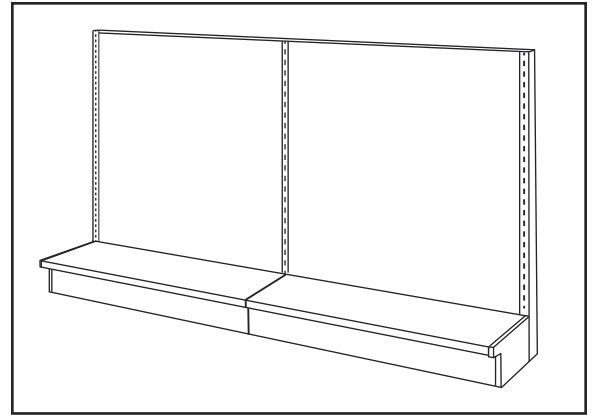


#	DESCRIPTION	QTY.	ULINE PART NO.	MFG. PART NO.
1	Base Bracket – 16"	1	H-3910	BB1606S.PTD
2	Back Panel – 48 x 48"	1	H-3927PT	BE448P.PLT
3	Closed Base Front – 48"	1	H-3922	CBF406.CHR
4	Bottom Rail – 48"	1	H-3924PT	R4B.PLT
5	Center Rail – 48"	1	H-3925	R4C.N/A
6	Top Rail – 48"	1	H-3926PT	R4T.PLT
7	Base Deck – 48 x 16"	1	H-3921PT	SD416N.PLT
8	Upright – 54"	1	H-3928PT	U54.PLT

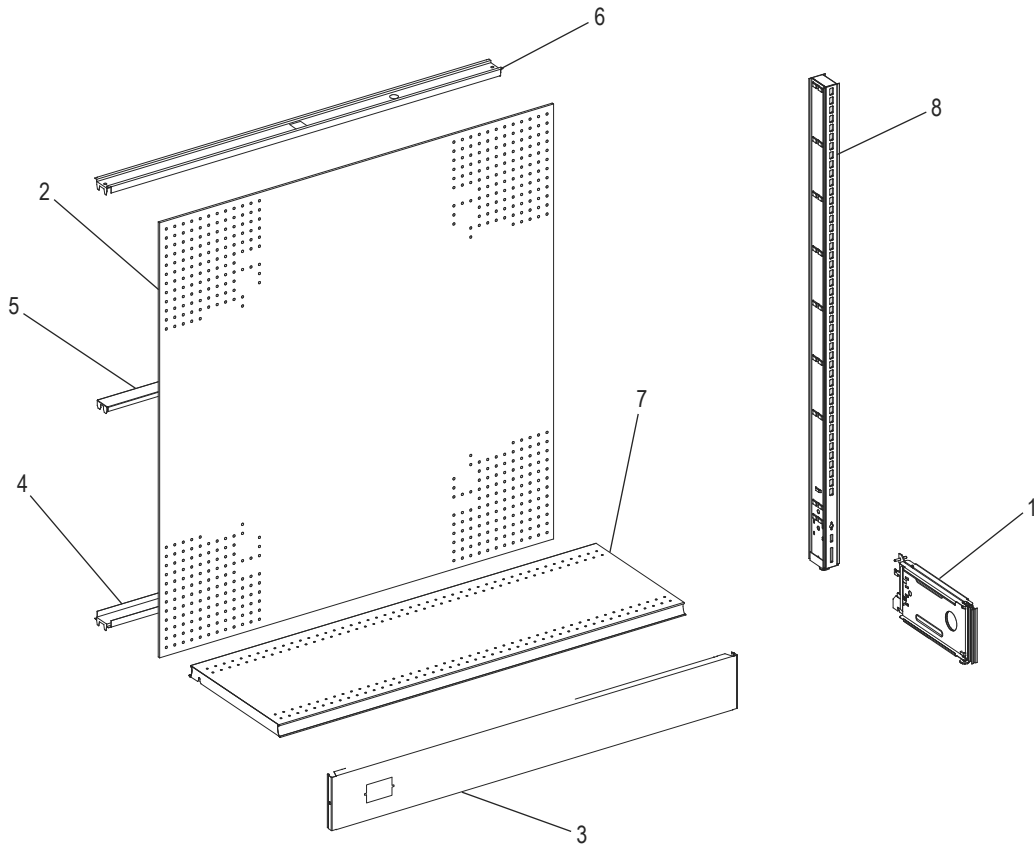
ULINE H-3873-ADD

**ESTANTERÍA
GÓNDOLA DE
UN LADO**

800-295-5510
uline.mx



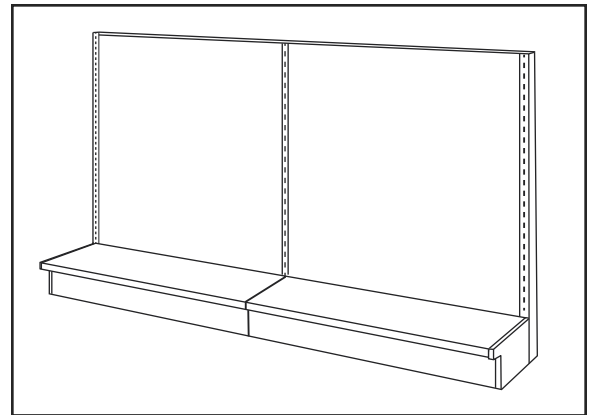
UNIDAD DE PARED INICIAL DE 4'



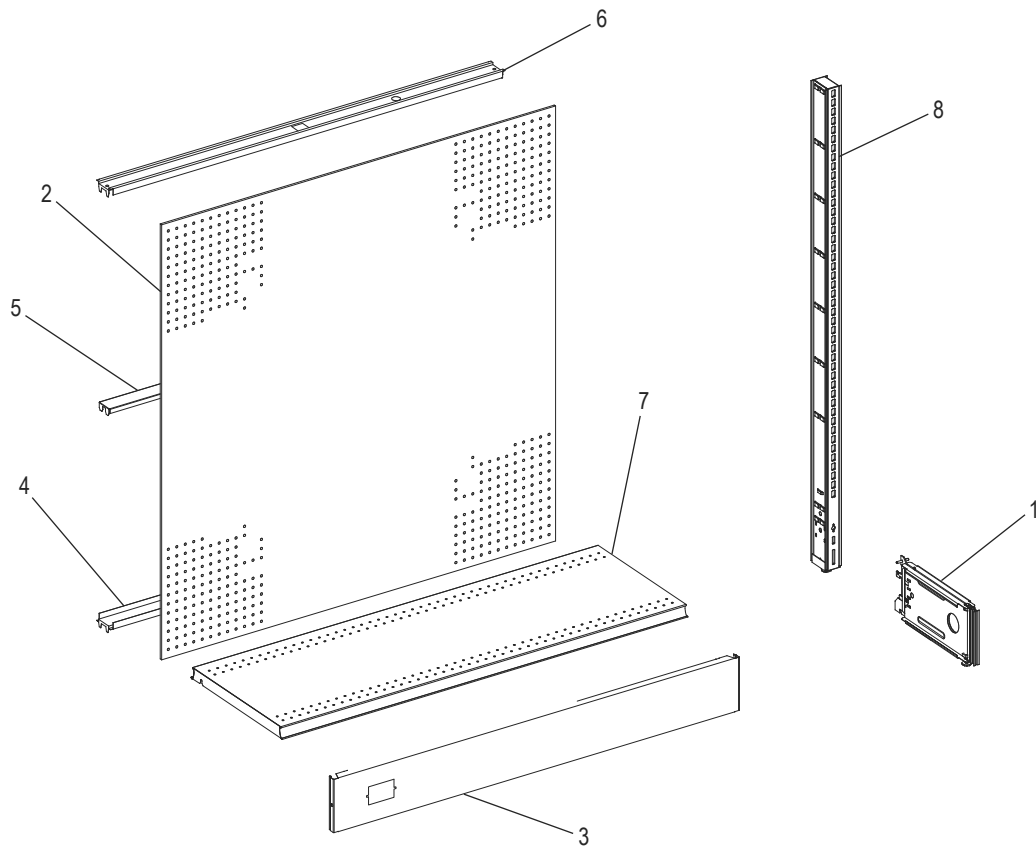
#	DESCRIPCIÓN	CANT.	NO. DE PARTE DE ULINE	NO. DE PARTE DEL FABRICANTE
1	Soporte de la Base – 40 cm (16")	1	H-3910	BB1606S.PTD
2	Panel Posterior – 122 x 122 cm (48 x 48")	1	H-3927PT	BE448P.PLT
3	Base Frontal Cerrada – 122 cm (48")	1	H-3922	CBF406.CHR
4	Riel Inferior – 122 cm (48")	1	H-3924PT	R4B.PLT
5	Riel Central – 122 cm (48")	1	H-3925	R4C.N/A
6	Riel Superior – 122 cm (48")	1	H-3926PT	R4T.PLT
7	Entrepañó de Base – 122 x 40 cm (48 x 16")	1	H-3921PT	SD416N.PLT
8	Poste – 137 cm (54")	1	H-3928PT	U.54.PLT

ULINE H-3873-ADD
RAYONNAGE
GONDOLE À UNE FACE

1-800-295-5510
 uline.ca



UNITÉ DE BASE DE 1,2 M (4 PI)



#	DESCRIPTION	QTÉ	RÉF. ULINE	RÉF. DU FABRICANT
1	Support de base – 40 cm (16 po)	1	H-3910	BB1606S.PTD
2	Panneau arrière – 122 x 122 cm (48 x 48 po)	1	H-3927PT	BE448P.PLT
3	Garniture avant de la base – 122 cm (48 po)	1	H-3922	CBF406.CHR
4	Glissière inférieure – 122 cm (48 po)	1	H-3924PT	R4B.PLT
5	Glissière centrale – 122 cm (48 po)	1	H-3925	R4C.N/A
6	Glissière supérieure – 122 cm (48 po)	1	H-3926PT	R4T.PLT
7	Tablette de base – 122 x 40 cm (48 x 16 po)	1	H-3921PT	SD416N.PLT
8	Montant – 137 cm (54 po)	1	H-3928PT	U.54.PLT