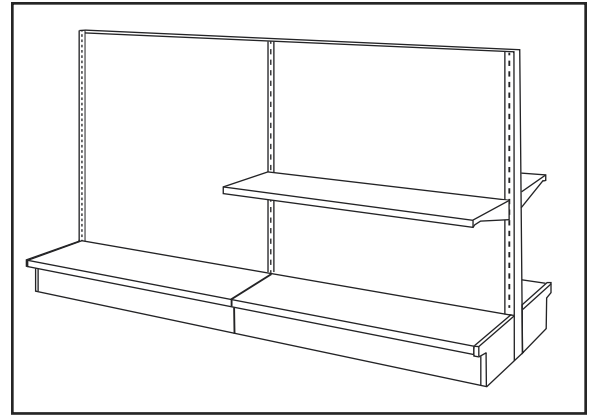


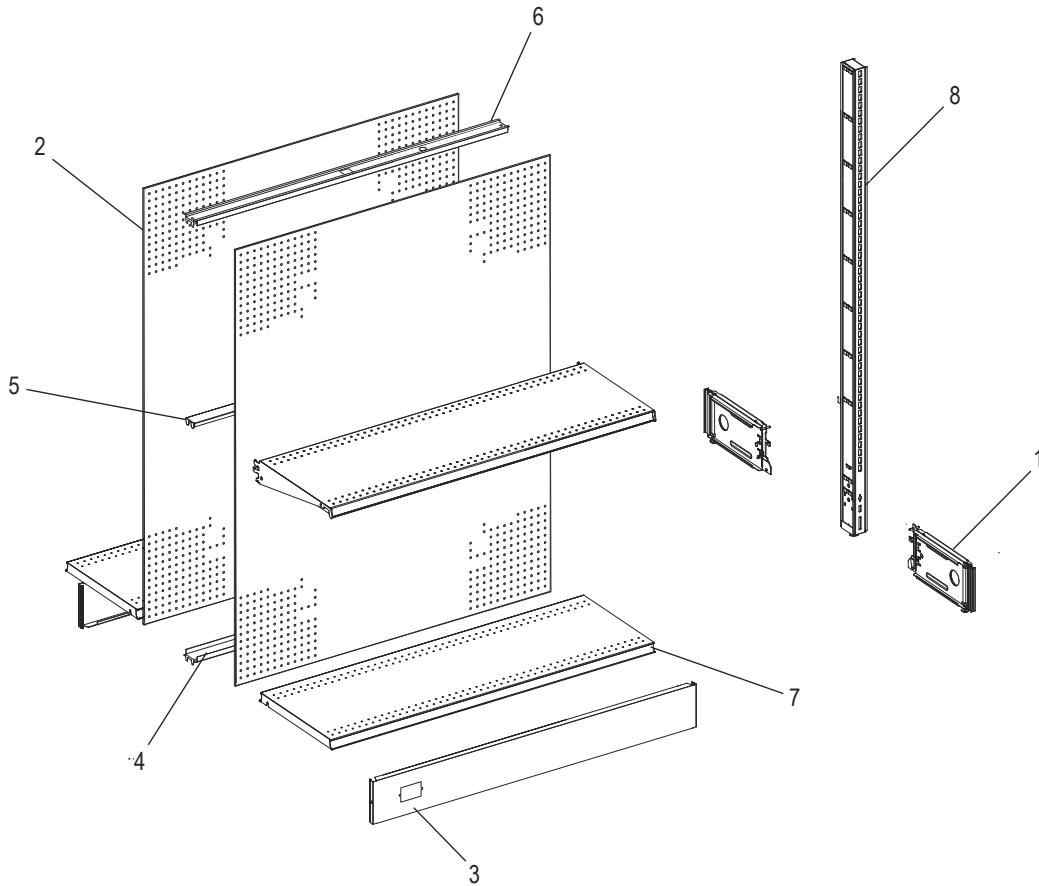
# ULINE H-3876-ADD

## DOUBLE-SIDED GONDOLA SHELVING

1-800-295-5510  
 uline.com



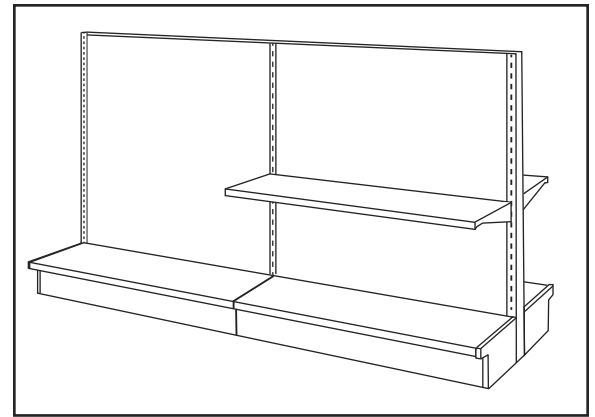
### 4' ISLAND ADD-ON



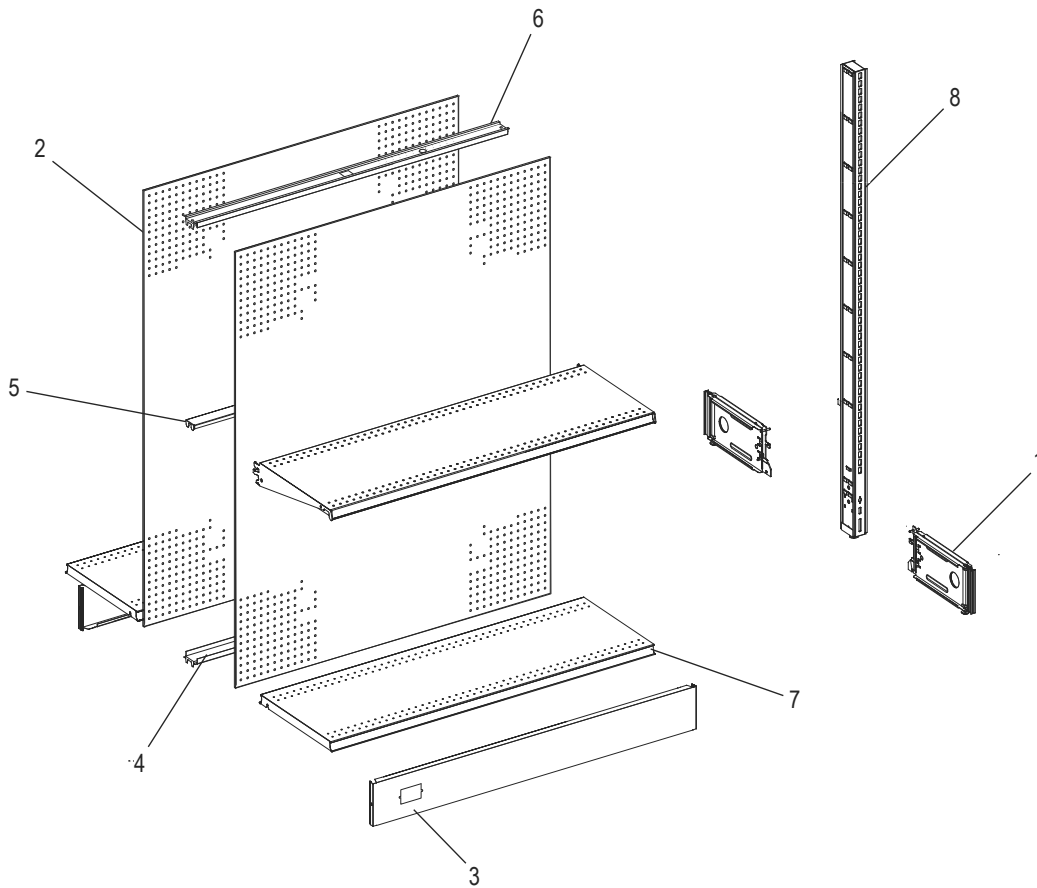
#	DESCRIPTION	QTY.	ULINE PART NO.	MFG. PART NO.
1	Base Bracket – 16"	2	H-3910	BB1606S.PTD
2	Back Panel – 48 x 66"	2	H-3930PT	BE466P.PLT
3	Closed Base Front – 48"	2	H-3922	CBF406.CHR
4	Bottom Rail – 48"	1	H-3924PT	R4B.PLT
5	Center Rail – 48"	1	H-3925	R4C.N/A
6	Top Rail – 48"	1	H-3926PT	R4T.PLT
7	Base Deck – 48 x 16"	2	H-3921PT	SD416N.PLT
8	Upright – 72"	1	H-3931PT	U72.PLT

**ULINE H-3876-ADD**  
**ESTANTERÍA GÓNDOLA**  
**DE DOBLE LADO**

800-295-5510  
 uline.mx



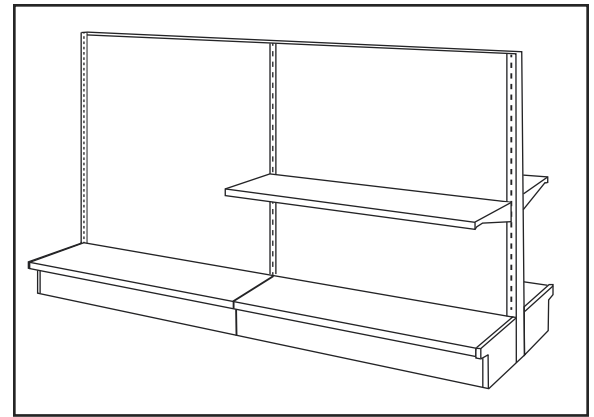
UNIDAD BÁSICA PARA ISLA DE 4'



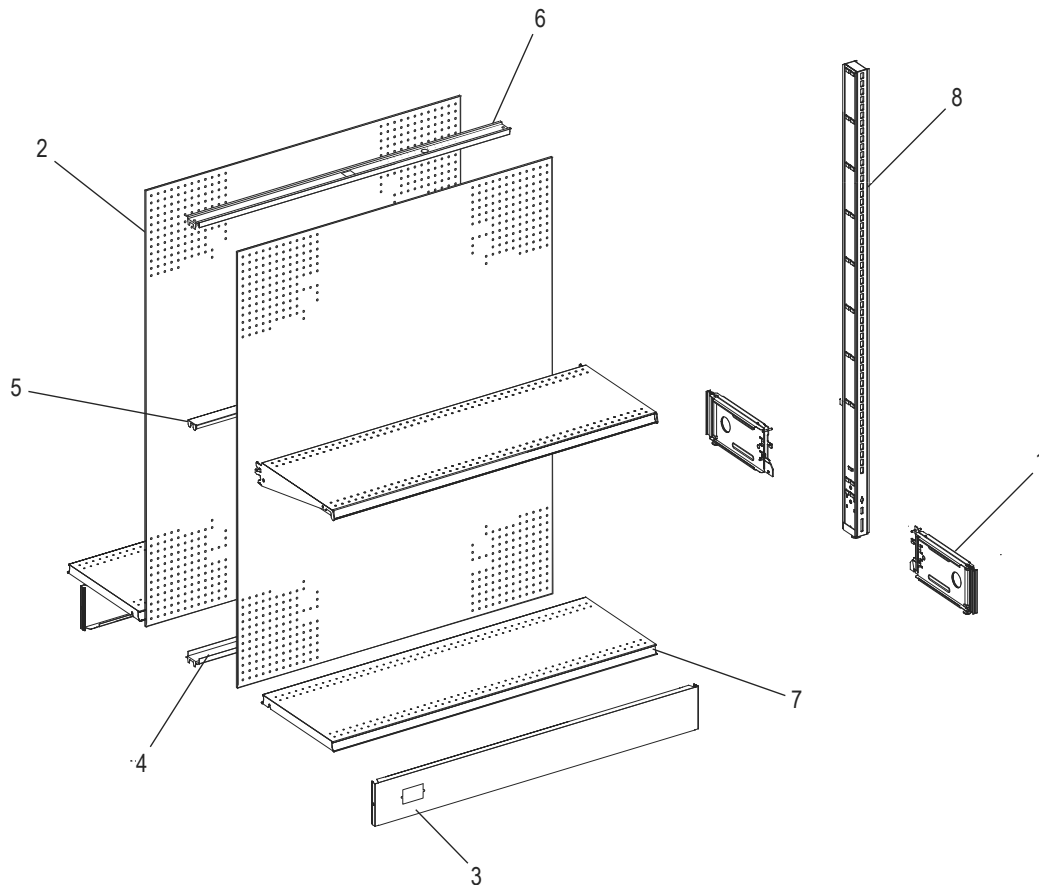
#	DESCRIPCIÓN	CANT.	NO. DE PARTE DE ULINE	NO. DE PARTE DEL FABRICANTE
1	Soporte de la Base – 40 cm (16")	4	H-3910	BB1606S.PTD
2	Panel Posterior – 122 x 167 cm (48 x 66")	2	H-3930PT	BE466P.PLT
3	Base Frontal Cerrada – 122 cm (48")	2	H-3922	CBF406.CHR
4	Riel Inferior – 122 cm (48")	1	H-3924PT	R4B.PLT
5	Riel Central – 122 cm (48")	1	H-3925	R4C.N/A
6	Riel Superior – 122 cm (48")	1	H-3926PT	R4T.PLT
7	Entrepaño de Base – 122 x 40 cm (48 x 16")	2	H-3921PT	SD416N.PLT
8	Poste – 183 cm (72")	2	H-3931PT	U72.PLT

**ULINE H-3876-ADD**  
**RAYONNAGE GONDOLE**  
**À DEUX FACES**

1-800-295-5510  
 uline.ca



UNITÉ DE BASE DE 1,2 M (4 PI)



#	DESCRIPTION	QTÉ	RÉF. ULINE	RÉF. DU FABRICANT
1	Support de base – 40 cm (16 po)	4	H-3910	BB1606S.PTD
2	Panneau arrière – 122 x 167 cm (48 x 66 po)	2	H-3930PT	BE466P.PLT
3	Garniture avant de la base – 122 cm (48 po)	2	H-3922	CBF406.CHR
4	Glissière inférieure – 122 cm (48 po)	1	H-3924PT	R4B.PLT
5	Glissière centrale – 122 cm (48 po)	1	H-3925	R4C.N/A
6	Glissière supérieure – 122 cm (48 po)	1	H-3926PT	R4T.PLT
7	Tablette de base – 122 x 40 cm (48 x 16 po)	2	H-3921PT	SD416N.PLT
8	Montant – 183 cm (72 po)	2	H-3931PT	U72.PLT