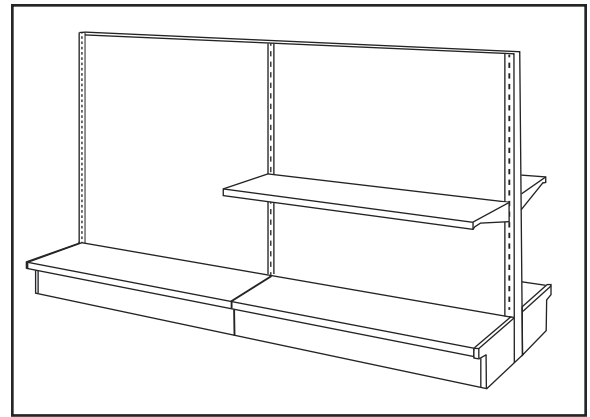


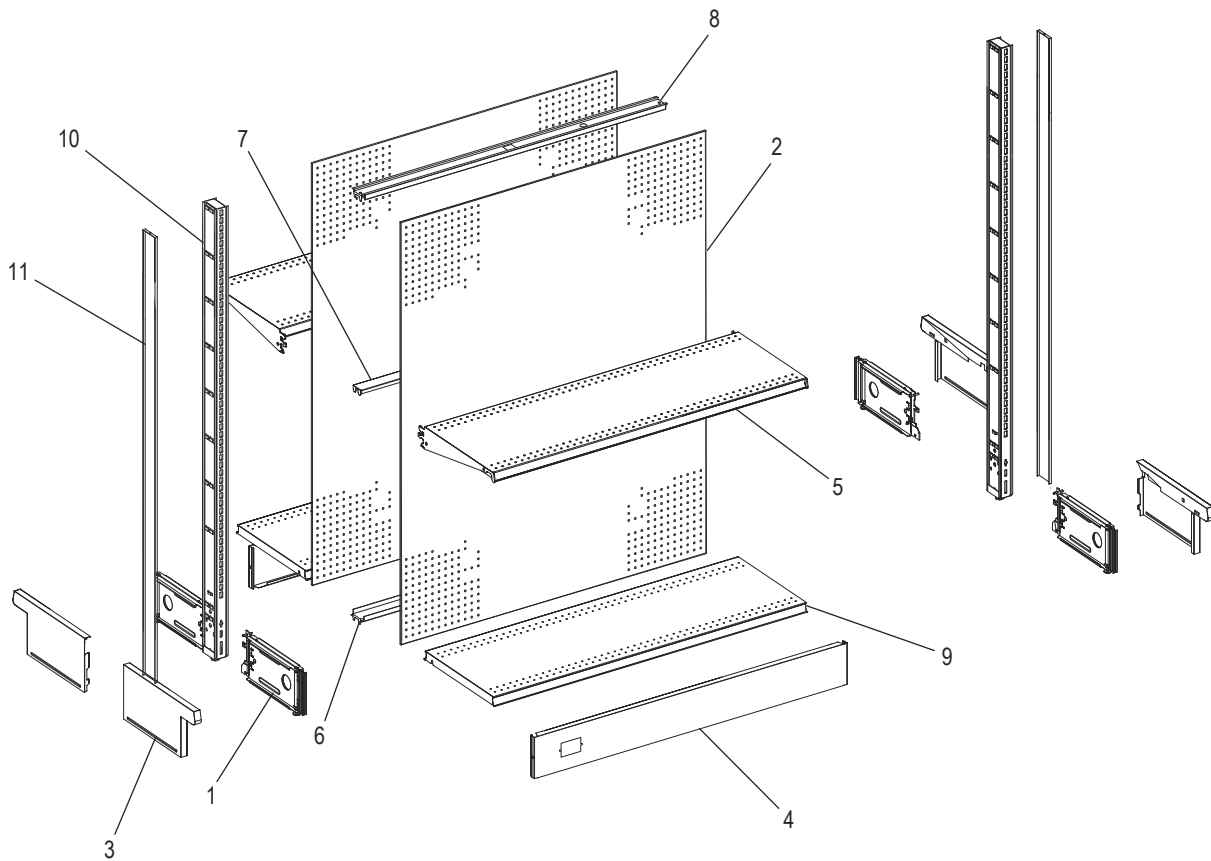
ULINE H-3876

DOUBLE-SIDED GONDOLA SHELVING

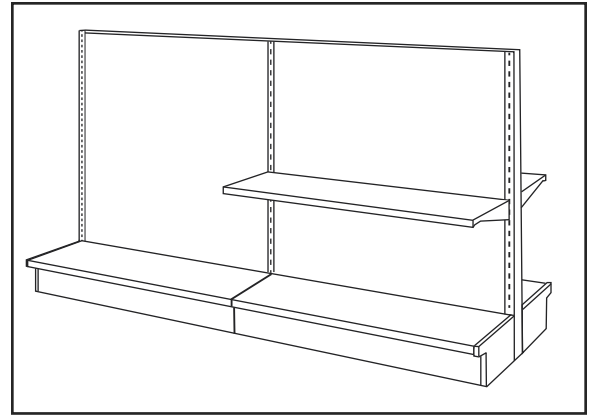
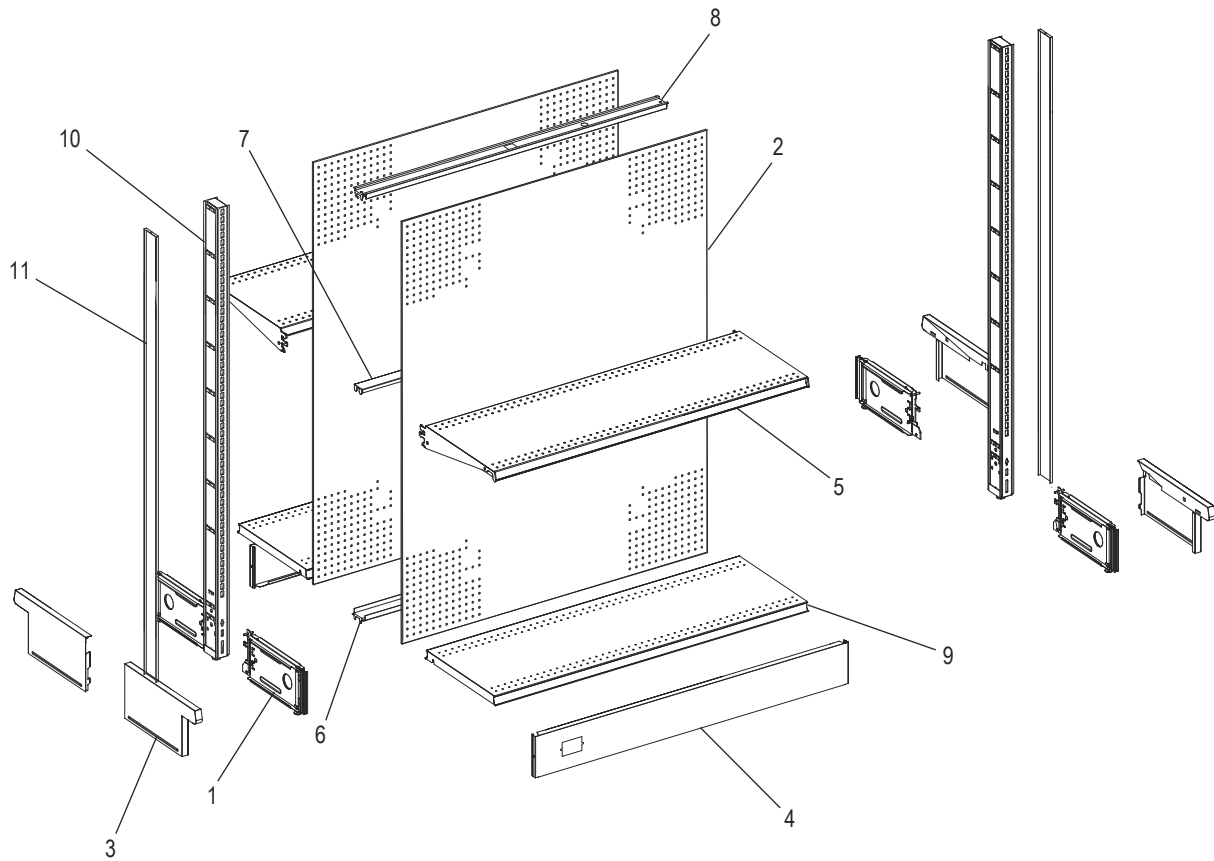
1-800-295-5510
 uline.com



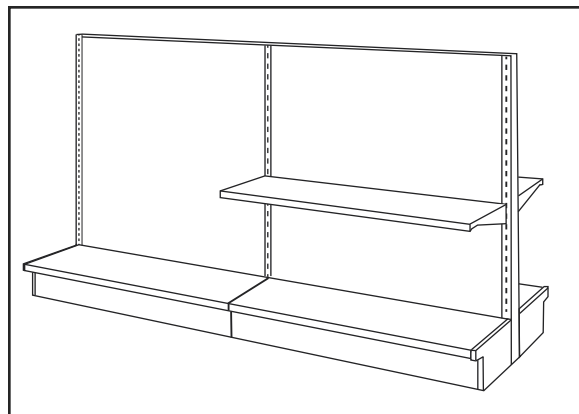
4' ISLAND STARTER



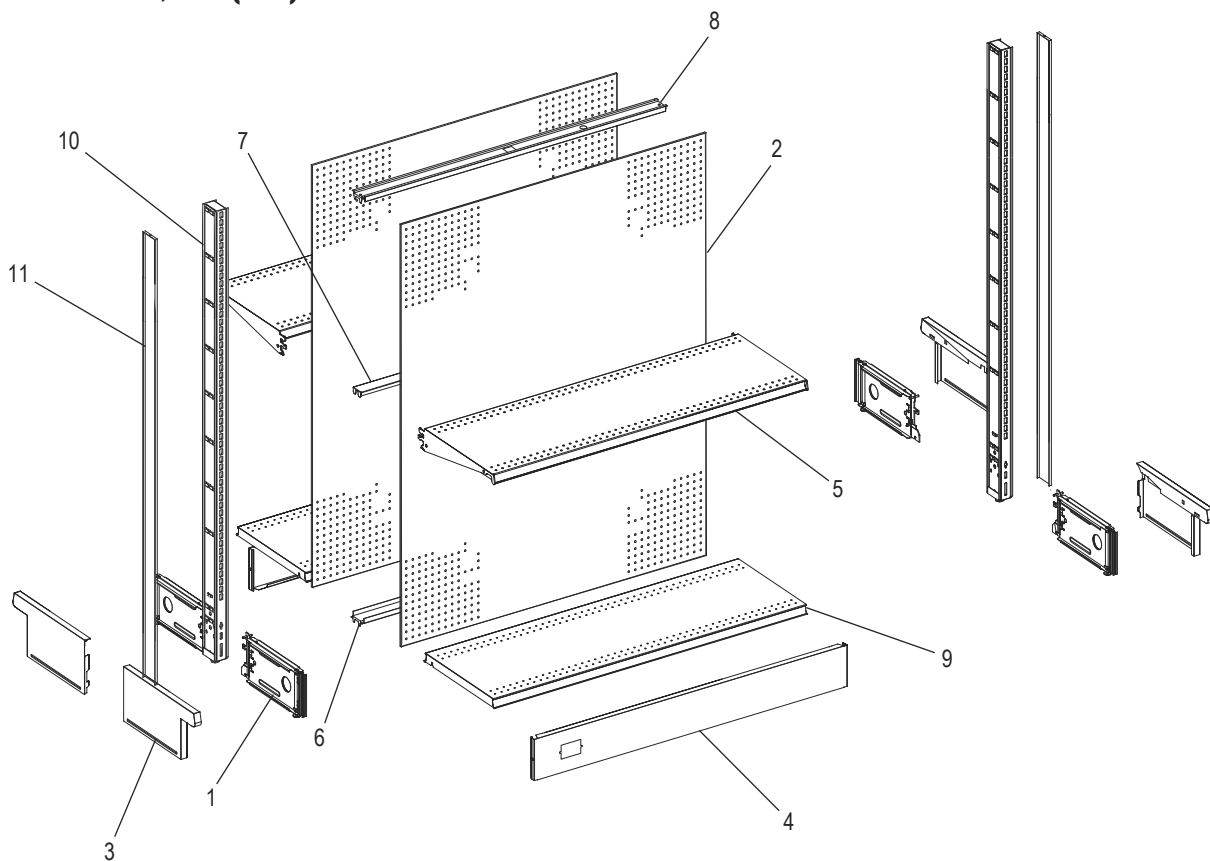
#	DESCRIPTION	QTY.	ULINE PART NO.	MFG. PART NO.
1	Base Bracket – 16"	4	H-3910	BB1606S.PTD
2	Back Panel – 48 x 66"	2	H-3930PT	BE466P.PLT
3	Base End Trim – 16"	4	H-3923	BET1606.CHR
4	Closed Base Front – 48"	2	H-3922	CBF406.CHR
5	Shelf – 48 x 16"	2	H-3877PT	DL416N
6	Bottom Rail – 48"	1	H-3924PT	R4B.PLT
7	Center Rail – 48"	1	H-3925	R4C.N/A
8	Top Rail – 48"	1	H-3926PT	R4T.PLT
9	Base Deck – 48 x 16"	2	H-3921PT	SD416N.PLT
10	Upright – 72"	2	H-3931PT	U72.PLT
11	Upright End Trim – 72"	2	H-3932PT	UET.72.PLT

ULINE H-3876**ESTANTERÍA GÓNDOLA DE DOBLE LADO**800-295-5510
uline.mx**UNIDAD BÁSICA PARA ISLA DE 4'**

#	DESCRIPCIÓN	CANT.	NO. DE PARTE DE ULINE	NO. DE PARTE DEL FABRICANTE
1	Soporte de la Base – 40 cm (16")	4	H-3910	BB1606S.PTD
2	Panel Posterior – 122 x 167 cm (48 x 66")	2	H-3930PT	BE466P.PLT
3	Tapa Lateral de Base – 40 cm (16")	4	H-3923	BET1606.CHR
4	Base Frontal Cerrada – 122 cm (48")	2	H-3922	CBF406.CHR
5	Repisa – 122 x 40 cm (48 x 16")	2	H-3877PT	DL416N
6	Riel Inferior – 122 cm (48")	1	H-3924PT	R4B.PLT
7	Riel Central – 122 cm (48")	1	H-3925	R4C.N/A
8	Riel Superior – 122 cm (48")	1	H-3926PT	R4T.PLT
9	Entrepaña de Base – 122 x 40 cm (48 x 16")	2	H-3921PT	SD416N.PLT
10	Poste – 183 cm (72")	2	H-3931PT	U72.PLT
11	Tapa para Poste – 183 cm (72")	2	H-3932PT	UET.72.PLT

ULINE H-3876**RAYONNAGE GONDOLE
À DEUX FACES**1-800-295-5510
uline.ca

UNITÉ DE BASE DE 1,2 M (4 PI)



#	DESCRIPTION	QTÉ	RÉF. ULINE	RÉF. DU FABRICANT
1	Support de base – 40 cm (16 po)	4	H-3910	BB1606S.PTD
2	Panneau arrière – 122 x 167 cm (48 x 66 po)	2	H-3930PT	BE466P.PLT
3	Garniture latérale de la base – 40 cm (16 po)	4	H-3923	BET1606.CHR
4	Garniture avant de la base – 122 cm (48 po)	2	H-3922	CBF406.CHR
5	Tablette – 122 x 40 cm (48 x 16 po)	2	H-3877PT	DL416N
6	Glissière inférieure – 122 cm (48 po)	1	H-3924PT	R4B.PLT
7	Glissière centrale – 122 cm (48 po)	1	H-3925	R4C.N/A
8	Glissière supérieure – 122 cm (48 po)	1	H-3926PT	R4T.PLT
9	Tablette de base – 122 x 40 cm (48 x 16 po)	2	H-3921PT	SD416N.PLT
10	Montant – 183 cm (72 po)	2	H-3931PT	U72.PLT
11	Garniture latérale du montant – 183 cm (72 po)	2	H-3932PT	UET.72.PLT