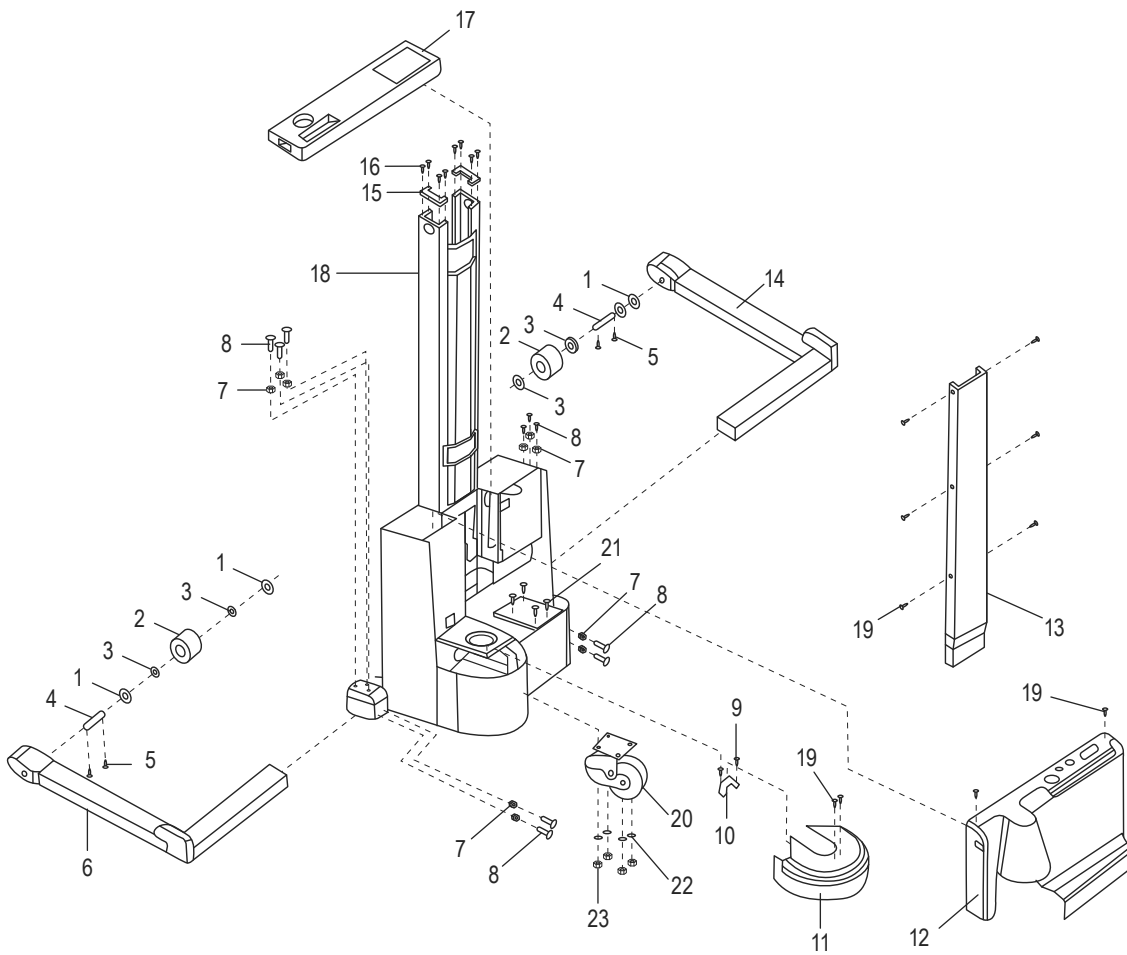


STACKER BODY (H-3936)





H-3936, H-3937
H-8163

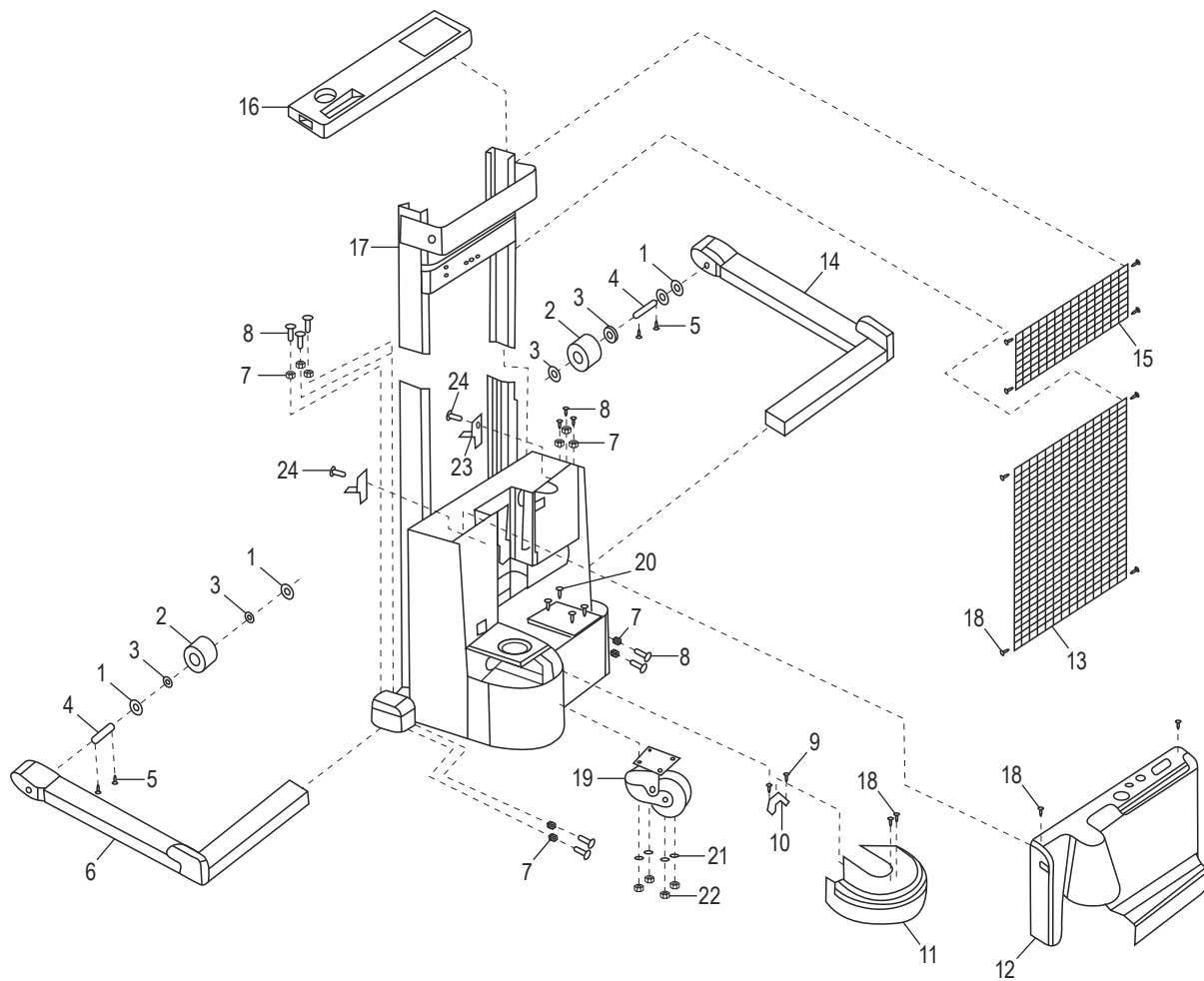
FULLY POWERED STACKER

1-800-295-5510
uline.com

STACKER BODY PARTS LIST (H-3936)

| # | DESCRIPTION | QTY. | ULINE PART NO. | MFG PART NO. |
|----|------------------------------|------|----------------|--------------|
| 1 | Spacer | 4 | H-3937-SPCR | 312994 |
| 2 | Load Wheel | 2 | H-3936-WHEEL | 312991 |
| 3 | Bearing | 4 | H-3936-BRING | M0901-6204RZ |
| 4 | Load Wheel Axle | 2 | H-3936-WHLAX | 313004 |
| 5 | Bolt – M6 x 16 mm | 4 | H-3937-BOLT | M1403-M6-16 |
| 6 | Straddle Leg (LH) | 1 | ----- | 312971 |
| 7 | Nut – M16 x 2 mm | 10 | ----- | ----- |
| 8 | Bolt – M16 x 60 mm | 10 | ----- | ----- |
| 9 | Bolt – M6 x 20 mm | 2 | ----- | ----- |
| 10 | Seat | 1 | ----- | 313005 |
| 11 | Drive Wheel Cover | 1 | H-3937DRWLCV | 312977 |
| 12 | Rear Cover | 1 | H-3936-RCVR | 312981 |
| 13 | Chain Cover | 1 | H-3936-COVER | 312978 |
| 14 | Straddle Leg (RH) | 1 | ----- | 312976 |
| 15 | Limit Cover – M12-1.75-25 | 2 | ----- | ----- |
| 16 | Bolt | 4 | ----- | 313171 |
| 17 | Cover | 1 | ----- | 310304 |
| 18 | Stacker Body Assembly | 1 | ----- | ----- |
| 19 | Screw | 2 | H-3936-SCRWQ | M1410-M6 16 |
| 20 | Swivel Caster Assembly | 1 | H-3936-SWVL | 312984 |
| 21 | Bolt – M12-1.75-40 | 4 | ----- | ----- |
| 22 | Washer – M12 | 4 | ----- | ----- |
| 23 | Nut – M12 x 1.75 mm | 4 | ----- | ----- |
| | Proximity Switch (Not Shown) | 1 | H-8161 | R05354 |

STACKER BODY (H-3937)





H-3936, H-3937
H-8163

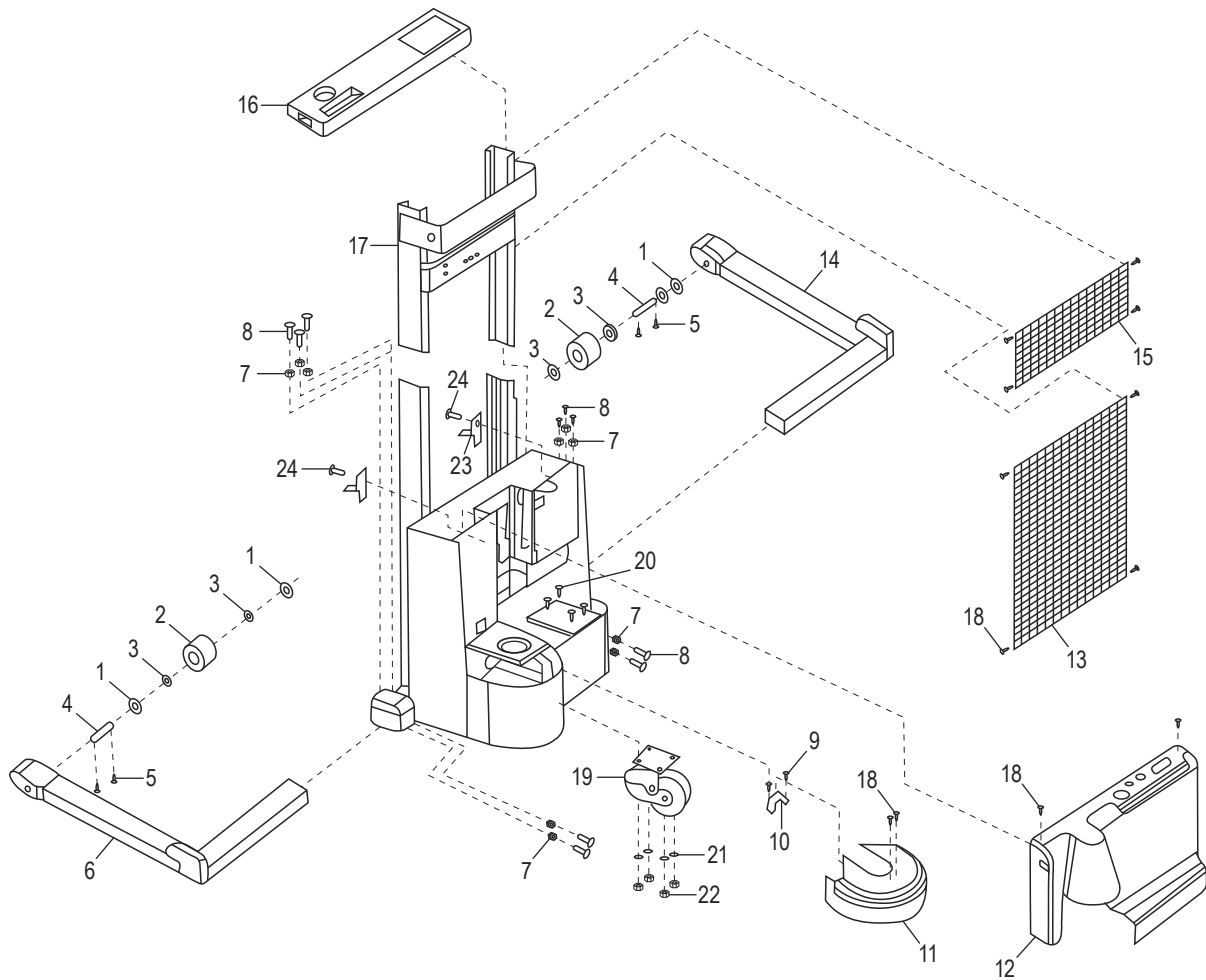
FULLY POWERED STACKER

1-800-295-5510
uline.com

STACKER BODY PARTS LIST (H-3937)

| # | DESCRIPTION | QTY. | ULINE PART NO. | MFG PART NO. |
|----|------------------------|------|----------------|--------------|
| 1 | Spacer | 4 | H-3937-SPCR | 312994 |
| 2 | Load Wheel | 2 | H-3936-WHEEL | 312991 |
| 3 | Bearing | 4 | H-3936-BRING | M0901-6204RZ |
| 4 | Axle | 2 | H-3937-WHLAX | 313004 |
| 5 | Bolt – M6 x 16 mm | 4 | H-3937-BOLT | M1403-M6-16 |
| 6 | Straddle Leg (LH) | 1 | ----- | 312971 |
| 7 | Nut – M16 x 2 mm | 10 | ----- | ----- |
| 8 | Bolt – M16 x 60 mm | 10 | ----- | ----- |
| 9 | Bolt – M16 x 20 mm | 2 | ----- | ----- |
| 10 | Seat, Fixing | 1 | ----- | 313005 |
| 11 | Drive Wheel Cover | 1 | H-3937DRWLCV | 312977 |
| 12 | Rear Cover | 1 | H-3936-RCVR | 312981 |
| 13 | Chain Cover for H-3936 | 1 | H-3936-COVER | 312978 |
| 13 | Chain Cover for H-3937 | 1 | ----- | 313040B |
| 14 | Straddle Leg (RH) | 1 | ----- | 312976 |
| 15 | Cover | 1 | ----- | 313034 |
| 16 | Top Cover | 1 | H-3937-TCBB | 313031 |
| 17 | Stacker Body Assembly | 1 | ----- | ----- |
| 18 | Bolt – M6 x 16 mm | 14 | ----- | ----- |
| 19 | Swivel Caster Assembly | 1 | H-3936-SWVL | 312984 |
| 20 | Bolt – M12 x 40 mm | 4 | ----- | ----- |
| 21 | Spring Washer – M12 | 4 | ----- | ----- |
| 22 | Nut – M12 | 4 | ----- | ----- |
| 23 | Battery Holder | 4 | ----- | 313171 |
| 24 | Bolt – M12 x 25 mm | 4 | ----- | ----- |

STACKER BODY (H-8163)





H-3936, H-3937
H-8163

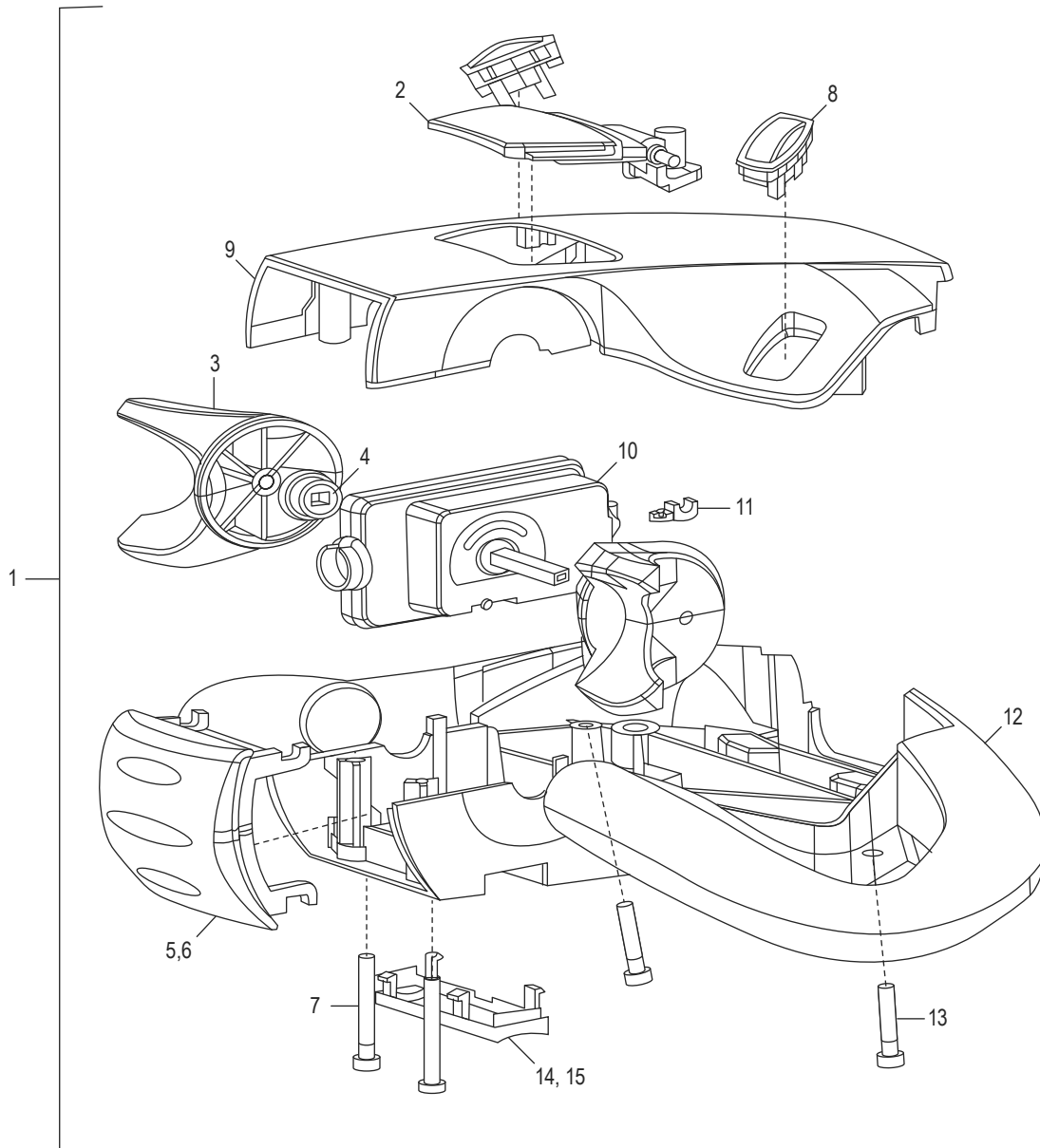
FULLY POWERED STACKER

1-800-295-5510
uline.com

STACKER BODY PARTS LIST (H-8163)

| # | DESCRIPTION | QTY. | ULINE PART NO. | MFG PART NO. |
|----|------------------------|------|----------------|--------------|
| 1 | Spacer | 4 | H-3937-SPCR | 312994 |
| 2 | Load Wheel | 2 | H-3936-WHEEL | 312991 |
| 3 | Bearing | 4 | H-3936-BRING | M0901-6204RZ |
| 4 | Axle | 2 | H-3937-WHLAX | 313004 |
| 5 | Bolt – M6 x 16 mm | 4 | H-3937-BOLT | M1403-M6-16 |
| 6 | Straddle Leg (LH) | 1 | ----- | 312971 |
| 7 | Nut – M16 x 2 mm | 10 | ----- | ----- |
| 8 | Bolt – M16 x 60 mm | 10 | ----- | ----- |
| 9 | Bolt – M16 x 20 mm | 2 | ----- | ----- |
| 10 | Seat, Fixing | 1 | ----- | ----- |
| 11 | Drive Wheel Cover | 1 | H-3937DRWLCV | 312977 |
| 12 | Rear Cover | 1 | H-3936-RCVR | 312981 |
| 13 | Chain Cover | 1 | ----- | ----- |
| 14 | Straddle Leg (RH) | 1 | ----- | ----- |
| 15 | Cover | 1 | ----- | ----- |
| 16 | Top Cover | 1 | ----- | ----- |
| 17 | Stacker Body Assembly | 1 | ----- | ----- |
| 18 | Bolt | 14 | ----- | ----- |
| 19 | Swivel Caster Assembly | 1 | H-3936-SWVL | 312984 |
| 20 | Bolt | 4 | ----- | ----- |
| 21 | Spring Washer | 4 | ----- | ----- |
| 22 | Nut | 4 | ----- | ----- |
| 23 | Battery Holder | 4 | ----- | ----- |
| 24 | Bolt | 4 | ----- | ----- |

CONTROL POD





H-3936, H-3937
H-8163

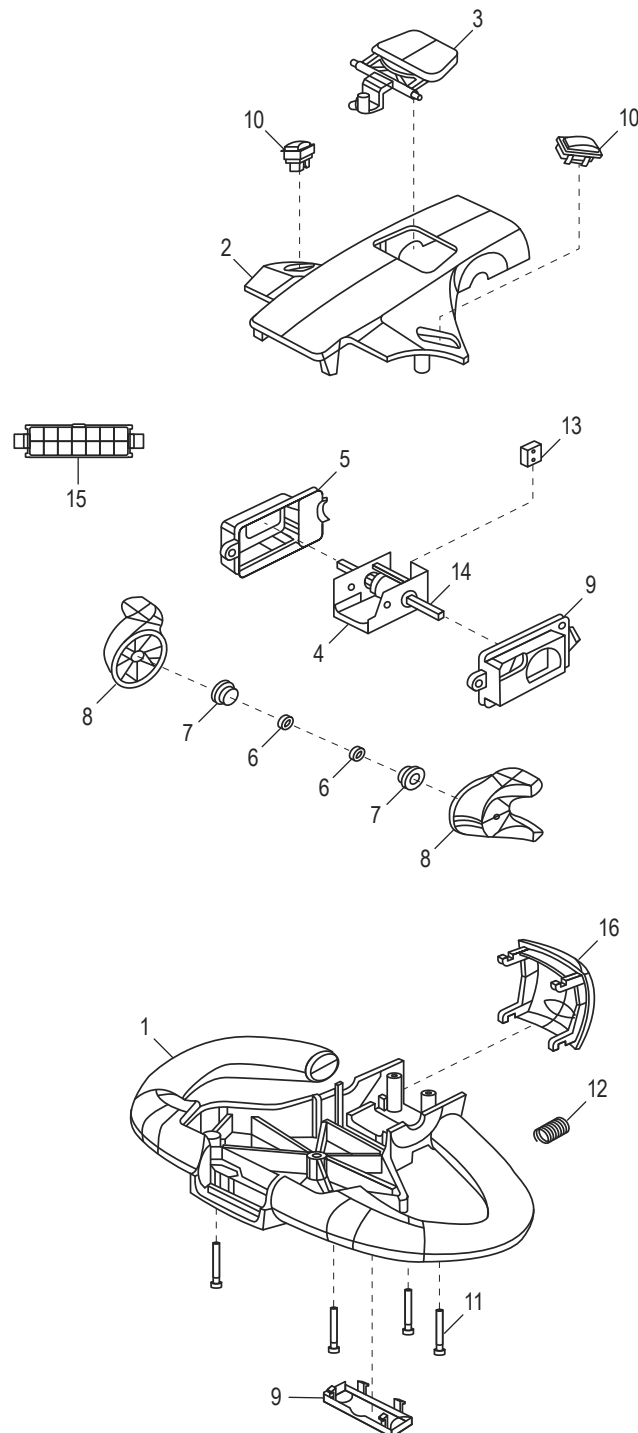
FULLY POWERED STACKER

1-800-295-5510
uline.com

CONTROL POD PARTS LIST (DATE CODE 9/2018–4/2019)

| # | DESCRIPTION | QTY. | ULINE PART NO. | MFG PART NO. |
|----|----------------------------------|------|----------------|--------------|
| 1 | Control Pod Type 3 | 1 | H-3936-CP3 | E4001156 |
| 1 | Control Pod Type 2 | 1 | H-3937-CP2 | E4001187 |
| 2 | Horn Button | 1 | ----- | E4001156P01 |
| 3 | Knob | 2 | ----- | E4001156P02 |
| 4 | Bearing | 2 | ----- | E4001156P03 |
| 5 | Belly Button Stop Switch | 1 | ----- | E4001156P04 |
| 6 | Spring | 1 | ----- | E4001156P05 |
| 7 | Hexagon Socket Screw | 2 | ----- | E4001156P06 |
| 8 | Lift Switch Cluster | 2 | H-3936-LSC45 | 312928 |
| 8 | Lift Switch (Rocker Button Only) | 2 | H-3936-LSRBO | E4001156P07 |
| 9 | Top Cover | 1 | ----- | E4001156P08 |
| 10 | Accelerator | 1 | H-3936-AA | E4001156P09 |
| 11 | Snap Ring | 2 | ----- | E4001156P10 |
| 12 | Base | 1 | ----- | E4001156P11 |
| 13 | Hexagon Socket Screw | 2 | ----- | E4001156P12 |
| 14 | Button | 1 | ----- | E4001156P13 |
| 15 | Spring | 2 | ----- | E4001156P14 |

CONTROL POD (DATE CODE AFTER 4/2019)





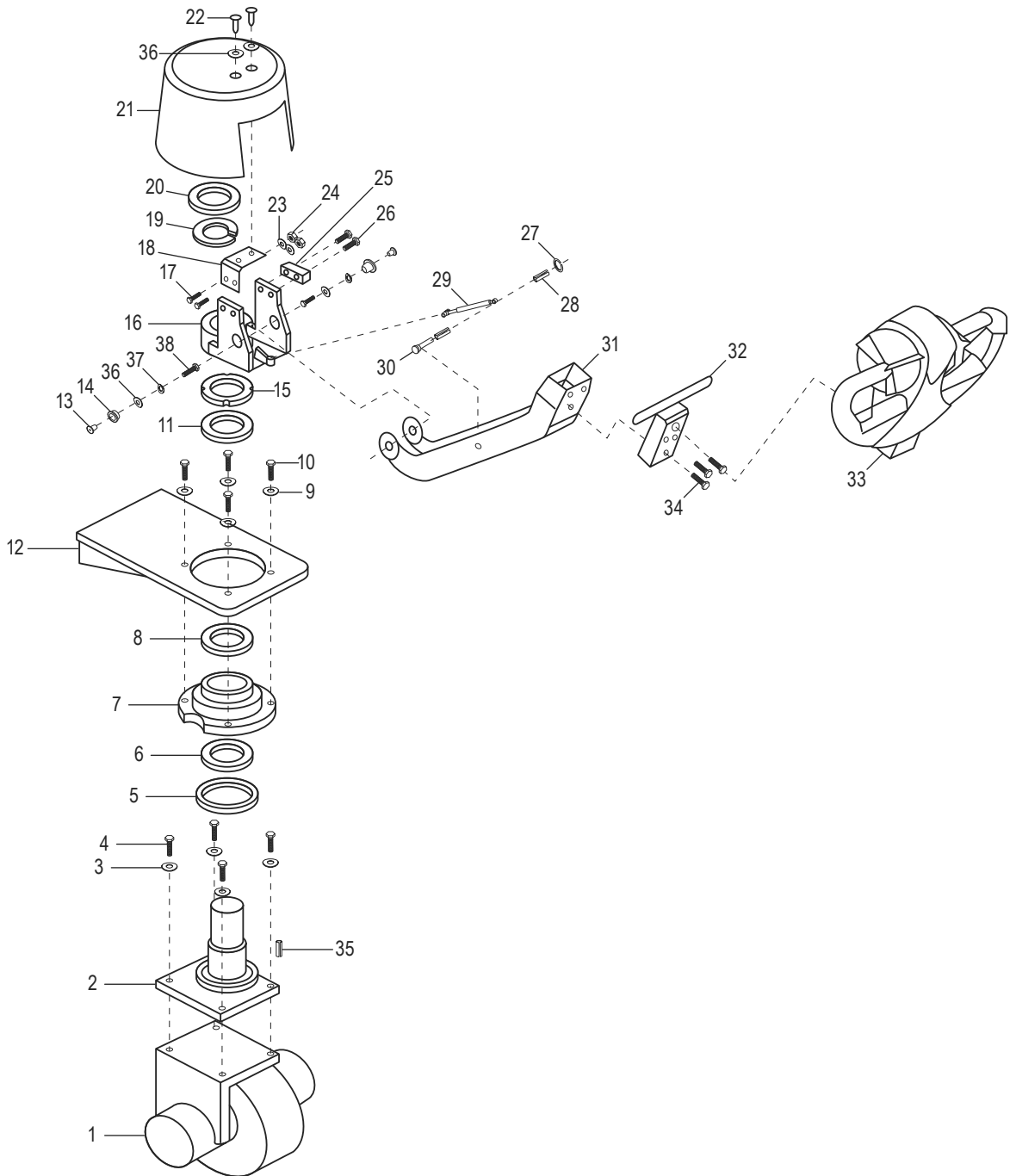
H-3936, H-3937
H-8163

FULLY POWERED STACKER

1-800-295-5510
uline.com

CONTROL POD PARTS LIST (DATE CODE AFTER 4/2019)

| # | DESCRIPTION | QTY. | ULINE PART NO. | MFG PART NO. |
|----|--|------|----------------|---|
| 1 | Handle Assembly | 1 | ----- | ----- |
| 2 | Upper Cover | 2 | ----- | TL3012193 |
| 3 | Horn Assembly | 1 | ----- | TL3012194 |
| 4a | Accelerator Switch up to March 2020 | 1 | H-3936-AA | E4001156P09 |
| 4b | Accelerator Switch from April 2020 | 1 | ----- | TL3017310 |
| 5 | Switch Cover | 1 | ----- | TL3012196 |
| 6 | Inner Bearing | 2 | ----- | ----- |
| 7 | Outer Bearing | 2 | ----- | ----- |
| 8 | Knob | 2 | ----- | TL3012201 |
| 9 | Switch cover | 1 | ----- | TL3012202 |
| 10 | Lift/Lowering Switch | 2 | ----- | TL3012203 |
| 11 | Bolt | 4 | ----- | TL3012204 |
| 12 | Spring (Emergency Button) | 1 | ----- | Requires Serial Number of Machine |
| 13 | Micro Switch with Accelerator Assembly | 1 | ----- | TLB356951 |
| 14 | Shaft | 1 | ----- | ----- |
| 15 | Socket | 6 | ----- | ----- |
| 16 | Emergency Button | 1 | ----- | E4001156P04 |

STEERING ASSEMBLY



H-3936, H-3937
H-8163

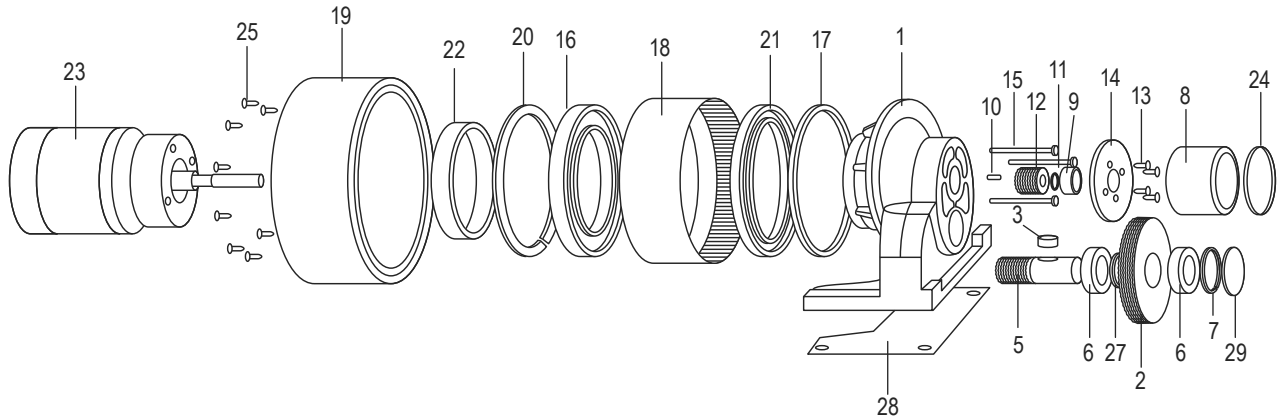
FULLY POWERED STACKER

1-800-295-5510
uline.com

STEERING ASSEMBLY PARTS LIST (DATE CODE UP TO 3/2021)

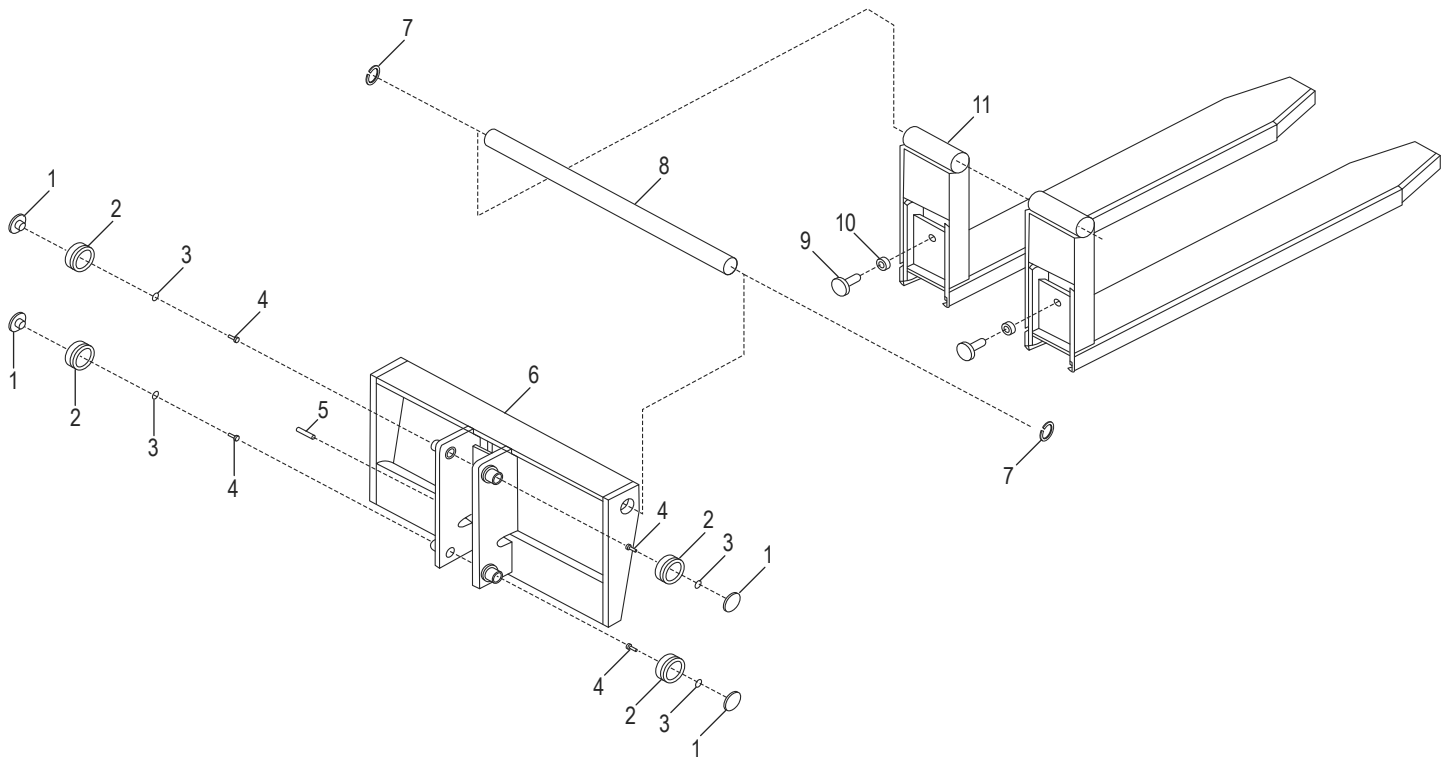
| # | DESCRIPTION | QTY. | ULINE PART NO. | MFG PART NO. |
|----|-----------------------------|------|----------------|----------------|
| 1 | Drive Wheel Assembly | 1 | ----- | E2102024 |
| 2 | Spindle Assembly | 1 | ----- | 312982A |
| 3 | Spring Washer – M10 | 4 | ----- | ----- |
| 4 | Bolt – M10 x 35 mm | 4 | ----- | ----- |
| 5 | Seal | 1 | H-3936-1057 | M0703-80 105 7 |
| 6 | Bearing | 1 | ----- | M0903-32013 |
| 7 | Spindle Seat | 1 | ----- | 312989A |
| 8 | Bearing | 1 | H-3936-61812 | M0901-61812RZ |
| 9 | Spring Washer – M10 x 35 mm | 4 | ----- | ----- |
| 10 | Bolt – M10 | 4 | ----- | ----- |
| 11 | Washer | 1 | ----- | 312996 |
| 12 | Fixing Board | 1 | ----- | ----- |
| 13 | Bolt | 2 | H-3937BOLT | 312992 |
| 14 | Collar Spindle | 2 | H-3937SPINDL | 312985 |
| 15 | Lock Nut | 1 | ----- | 312997 |
| 16 | Seat Connection | 1 | ----- | 312990 |
| 17 | Bolt – M6 x 25 mm | 2 | ----- | ----- |
| 18 | Anchor Spindle Cover | 1 | ----- | 313006 |
| 19 | Lock Washer | 1 | ----- | ----- |
| 20 | Nut | 1 | ----- | 312999 |
| 21 | Spindle Cover | 1 | H-5253 | 312980 |
| 22 | Screw – M6 x 16 mm | 2 | ----- | ----- |
| 23 | Spring Washer – M6 | 2 | ----- | ----- |
| 24 | Nut – M6 | 2 | ----- | ----- |
| 25 | Proximity Switch | 1 | H-3936-PROX | R04994 |
| 26 | Bolt – M4 x 30 mm | 2 | ----- | ----- |
| 27 | Snap Ring – S8 | 1 | ----- | ----- |
| 28 | Spindle Collar | 2 | H-3936-SP128 | 312988 |
| 29 | Air Spring | 1 | H-3937-SPRNG | R00911 |
| 30 | Fixing Shaft | 1 | H-3936-FIX30 | 312987A |
| 31 | Steering Arm | 1 | ----- | 313180A |
| 32 | Anchor Handle | 1 | ----- | 313183 |
| 33 | Control Pod | 1 | ----- | E401141 |
| 34 | Bolt – M8 x 20 mm | 3 | ----- | ----- |
| 35 | Flat Key | 1 | ----- | ----- |
| 36 | Washer – M6 | 2 | ----- | ----- |
| 37 | Spring Washer – M8 | 2 | ----- | ----- |
| 38 | Bolt – M8 x 16 mm | 2 | ----- | ----- |

DRIVE WHEEL ASSEMBLY



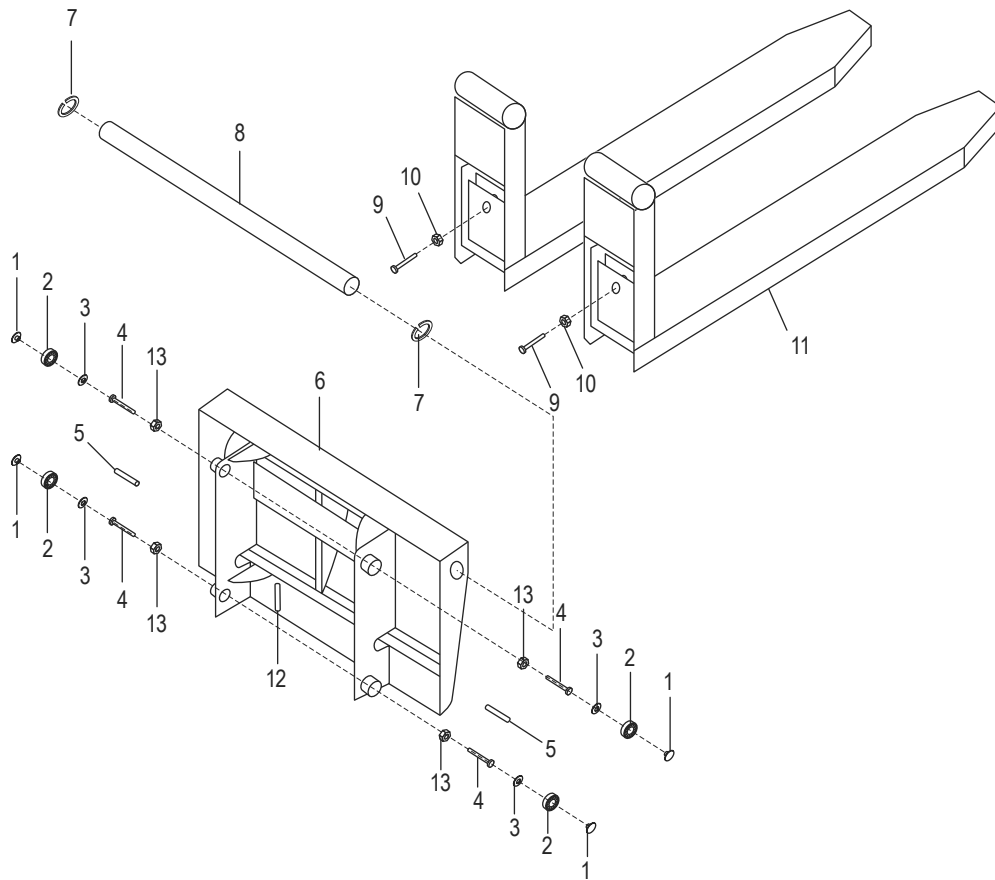
| # | DESCRIPTION | QTY. | ULINE PART NO. | MFG PART NO |
|----|----------------|------|----------------|--------------|
| 1 | Casing | 1 | ----- | ----- |
| 2 | Large Gear | 1 | ----- | ----- |
| 3 | Key | 1 | ----- | E2102024P03 |
| 5 | Shaft Gear | 1 | ----- | ----- |
| 6 | Bearing | 2 | ----- | E2102024PO6 |
| 7 | Baffle Ring | 1 | ----- | E2102024P07 |
| 8 | Electric Brake | 1 | H-3936-BRAKE | E2102024P08 |
| 9 | Bearing | 1 | ----- | E2102024P09 |
| 10 | Key | 2 | ----- | E2102024P10 |
| 11 | Baffle Ring | 1 | ----- | E2102024P11 |
| 12 | Small Gear | 1 | ----- | E2102024P12 |
| 13 | Screw | 4 | ----- | ----- |
| 14 | Flange | 1 | ----- | ----- |
| 15 | Screw | 3 | ----- | ----- |
| 16 | Bearing | 1 | ----- | E2102024P16 |
| 17 | Seal | 1 | ----- | E2102024P17 |
| 18 | Ring Gear | 1 | ----- | E2102024P18 |
| 19 | Wheel | 1 | H-3936-PDW | E2102024P19 |
| 20 | Baffle Ring | 1 | ----- | E2102024P20 |
| 21 | Seal | 1 | ----- | E2102024P21 |
| 22 | Ring | 1 | ----- | E2102024P22 |
| 23 | Traction Motor | 1 | H-3937-TRACQ | E2102024P023 |
| 24 | Dust Ring | 1 | ----- | E2102024P24 |
| 25 | Screw | 10 | ----- | E2102024P25 |
| 27 | Spacer | 1 | ----- | ----- |
| 28 | Panel | 1 | ----- | ----- |
| 29 | Dust Cap | 1 | ----- | ----- |

CARRIAGE ASSEMBLY (H-3936)



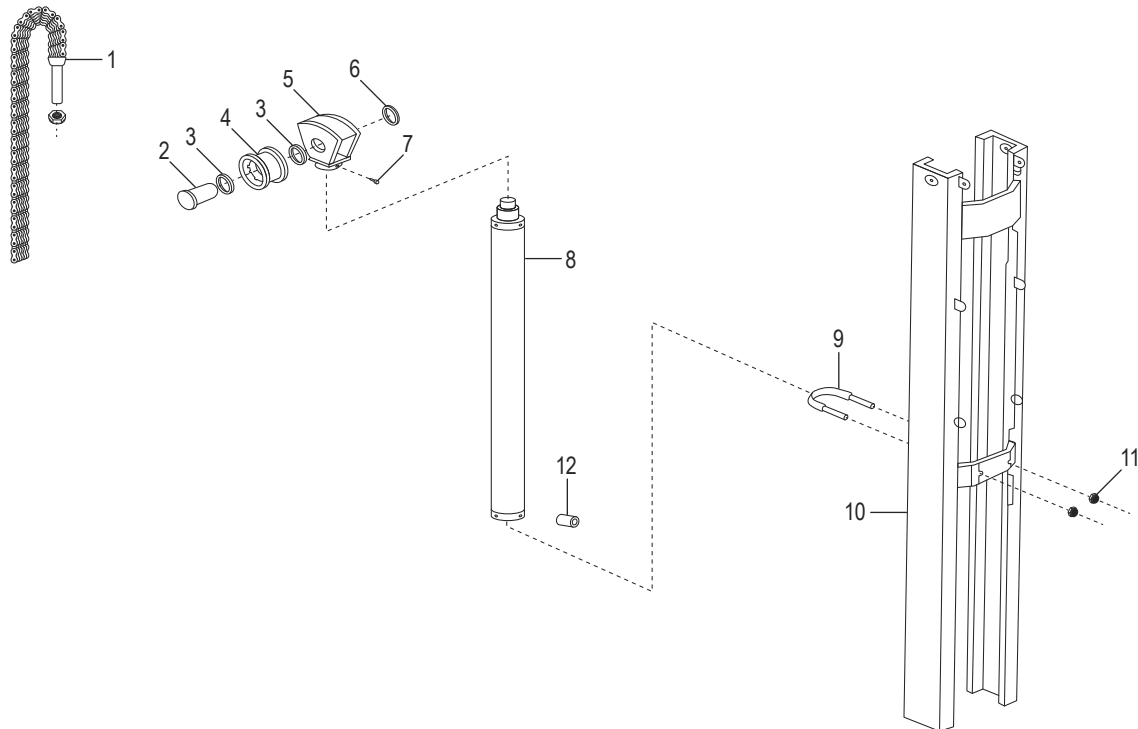
| # | DESCRIPTION | QTY. | ULINE PART NO. | MFG PART NO. |
|----|-------------------|------|----------------|--------------|
| 1 | Block | 4 | ----- | 3002861 |
| 2 | Roller | 4 | H-3936-RLLR | M1324011 |
| 3 | Washer | 4 | ----- | 3002820 |
| 4 | Bolt – M6 x 20 mm | 4 | ----- | ----- |
| 5 | Fixed Pin, Chain | 1 | ----- | 313002 |
| 6 | Carriage Assembly | 1 | ----- | ----- |
| 7 | Snap Ring – S40 | 2 | ----- | ----- |
| 8 | Feed Shaft | 1 | ----- | 313001 |
| 9 | Bolt | 2 | ----- | 313003 |
| 10 | Nut – M16 | 2 | ----- | ----- |
| 11 | Welded fork | 2 | ----- | 313983 |

CARRIAGE ASSEMBLY (H-3937)



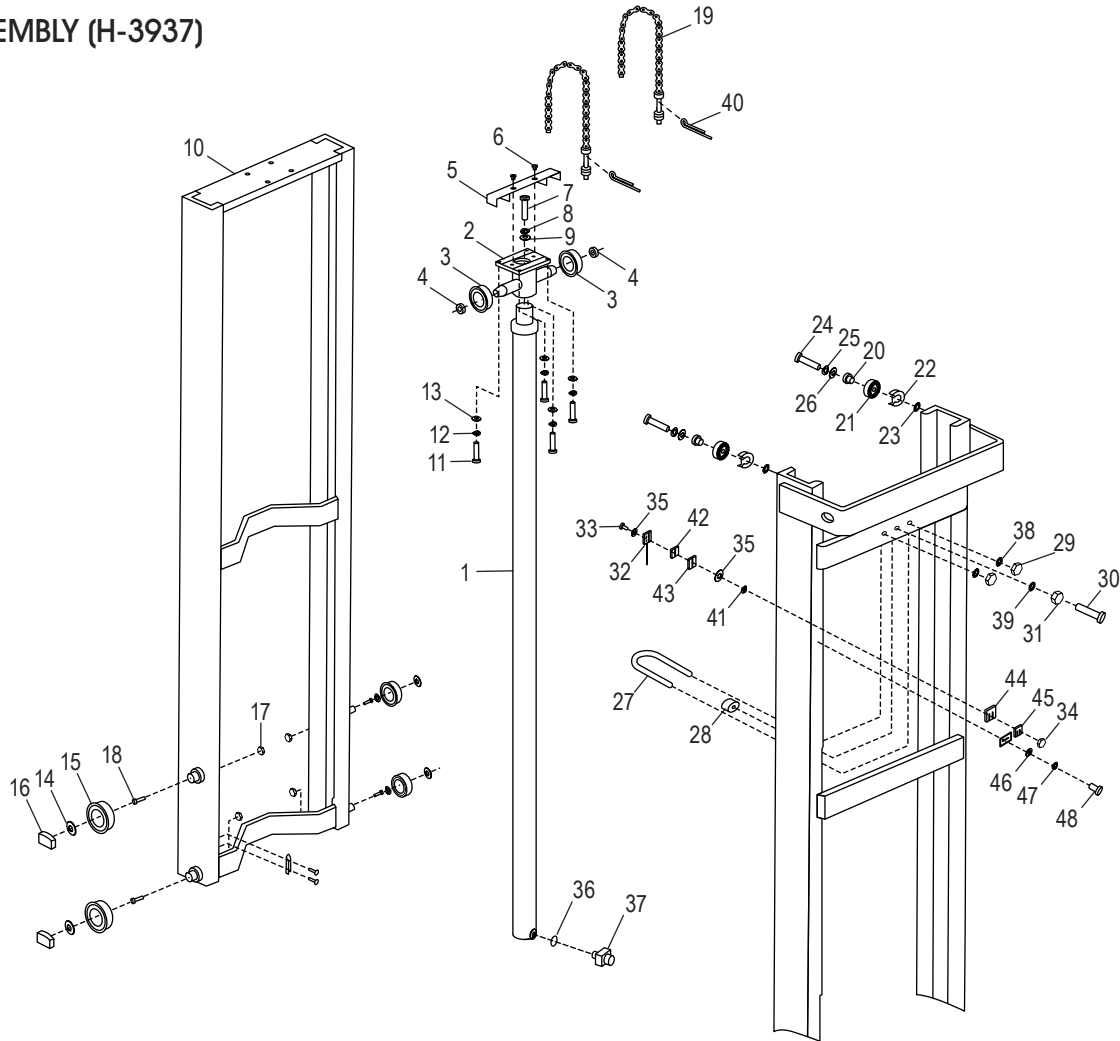
| # | DESCRIPTION | QTY. | ULINE PART NO. | MFG PART NO. |
|----|-------------------------------|------|----------------|--------------|
| 1 | Block | 4 | ----- | 3002861 |
| 2 | Roller | 4 | H-3936-RLLR | M1324011 |
| 3 | Washer | 4 | ----- | 3002820 |
| 4 | Bolt – M6 x 25 mm | 4 | ----- | ----- |
| 5 | Fixed Pin, Chain – M8 x 50 mm | 1 | ----- | ----- |
| 6 | Load Bracket Assembly | 1 | ----- | ----- |
| 7 | Snap Ring – S40 | 2 | ----- | ----- |
| 8 | Feed Shaft | 1 | ----- | ----- |
| 9 | Bolt | 2 | ----- | 313003 |
| 10 | Nut – M16 | 2 | ----- | ----- |
| 11 | Welded Fork | 2 | ----- | 312983 |
| 12 | Cotter Pin | 2 | ----- | ----- |
| 13 | Nut – M8 | 4 | ----- | ----- |

MAST ASSEMBLY (H-3936, H-8163)



| # | DESCRIPTION | QTY. | ULINE PART NO. | MFG PART NO. |
|----|---------------------|------|----------------|---------------|
| 1 | Chain Assembly | 1 | ----- | B383444 |
| 2 | Pivot Pin | 1 | ----- | 313000B |
| 3 | Spacer | 2 | ----- | 312974 |
| 4 | Chain Wheel | 1 | ----- | 32922 |
| 5 | Chain Wheel Bracket | 1 | ----- | 312972A |
| 6 | Snap Ring – S40 | 1 | ----- | ----- |
| 7 | Bolt – M6 x 16 mm | 1 | ----- | ----- |
| 8 | Lift Cylinder | 1 | ----- | 312970 |
| 9 | U-Bolt | 1 | ----- | 312995A |
| 10 | Mast Assembly | 1 | ----- | Not Available |
| 11 | Lock Nut – M10 | 2 | ----- | ----- |
| 12 | Control Valve | 1 | ----- | 3003423 |

MAST ASSEMBLY (H-3937)



| # | DESCRIPTION | QTY. | ULINE PART NO. | MFG PART NO. |
|----|--------------------------------|------|----------------|--------------|
| 1 | Lift Cylinder for H-3937 | 1 | H-3937-CYLR | B383419 |
| 1 | Lift Cylinder for H-8163 | 1 | H-8163-CYL | B383418 |
| 2 | Chain Wheel Bracket | 1 | H-8163-20Q | 3002887A |
| 3 | Chain Wheel | 2 | H-8163-19Q | 3003012 |
| 4 | Snap Ring – S30 | 2 | ----- | ----- |
| 5 | Over, Chain Wheel | 1 | H-8163-14Q | 3002881 |
| 6 | Spring Pin | 2 | H-8163-13Q | M1305-6*12 |
| 7 | Bolt – M12 x 90 mm | 1 | ----- | ----- |
| 8 | Spring Washer – M12 | 1 | ----- | ----- |
| 9 | Washer – M12 | 1 | ----- | ----- |
| 10 | Inner Mast Assembly for H-3937 | 1 | ----- | ----- |
| 10 | Inner Mast Assembly for H-8163 | 1 | ----- | ----- |



H-3936, H-3937
H-8163

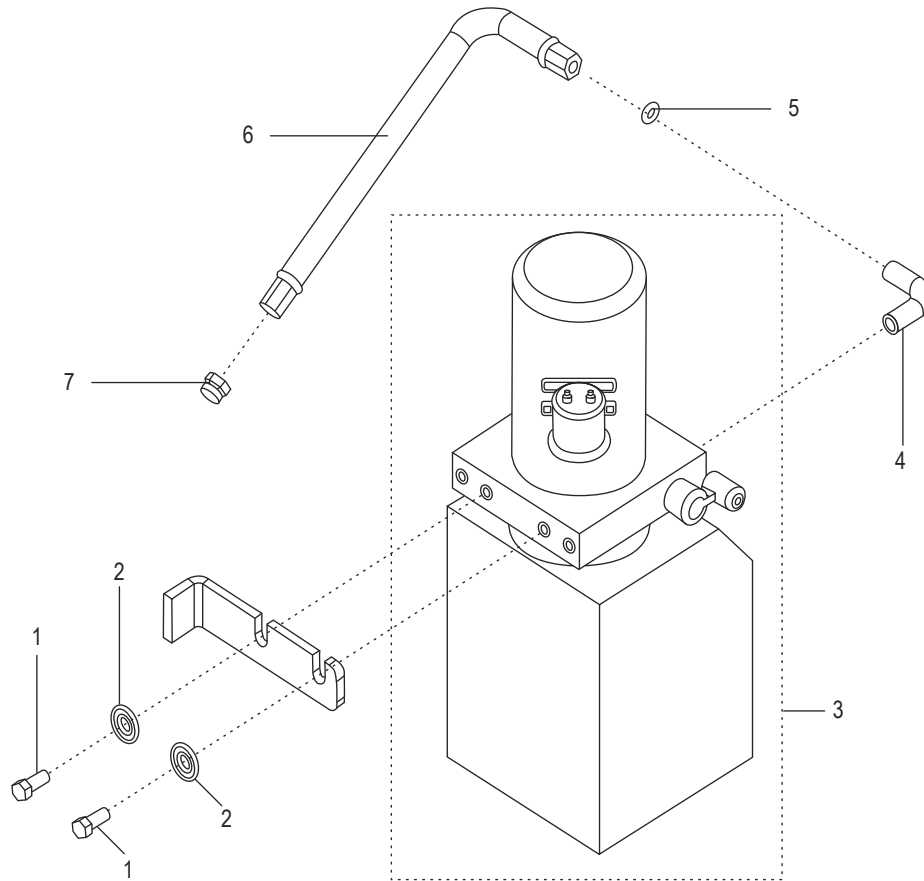
FULLY POWERED STACKER

1-800-295-5510
uline.com

MAST ASSEMBLY PARTS LIST CONTINUED (H-3937)

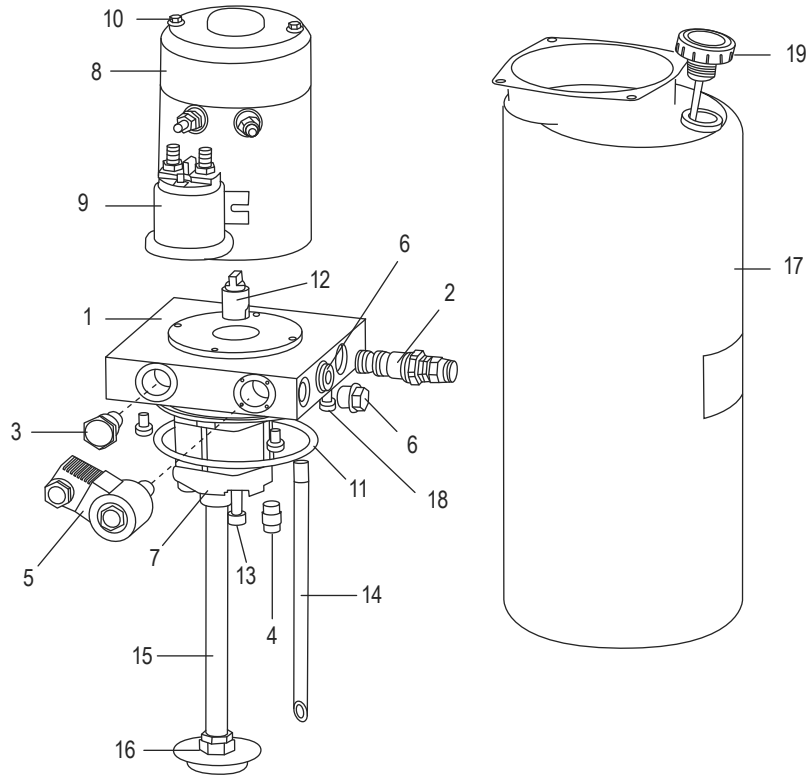
| # | DESCRIPTION | QTY. | ULINE PART NO. | MFG PART NO. |
|----|---------------------------|------|----------------|--------------|
| 11 | Bolt – M10 x 35 mm | 4 | ----- | ----- |
| 12 | Spring Washer – M10 | 4 | ----- | ----- |
| 13 | Washer | 4 | ----- | ----- |
| 14 | Washer – M10 x 2 mm | 4 | ----- | 3002820 |
| 15 | Roller Bearing | 4 | H-3936-RLLR | M1324011 |
| 16 | Block | 4 | ----- | 3002861 |
| 17 | Nut – M6 x 1.0 mm | 4 | ----- | ----- |
| 18 | Bolt – M6 x 25 mm | 4 | ----- | ----- |
| 19 | Chain Assembly for H-3937 | 2 | ----- | B383422 |
| 19 | Chain Assembly for H-8163 | 2 | ----- | ----- |
| 20 | Spindle | 1 | H-8163-20Q | 3002887A |
| 21 | Bearing | 2 | H-3936-BRING | M0901-6204RZ |
| 22 | Dust Cover | 2 | ----- | 3002873A |
| 23 | Spacer | 2 | ----- | 3002877 |
| 24 | Bolt – M8 x 25 mm | 2 | ----- | ----- |
| 25 | Spring Washer – M8 x 2 mm | 2 | ----- | ----- |
| 26 | Washer – M8 x 2 mm | 2 | ----- | ----- |
| 27 | U-Bolt | 1 | ----- | ----- |
| 28 | Rubber Spacer | 1 | ----- | ----- |
| 29 | Nut – M8 x 13 mm | 4 | ----- | ----- |
| 30 | Bolt | 2 | ----- | ----- |
| 31 | Nut – M-12-0 | 1 | ----- | ----- |
| 32 | Proximity Switch | 2 | ----- | ----- |
| 33 | Bolt – M3-25-23 | 2 | ----- | ----- |
| 34 | Nut – M3 x 2 mm | 2 | ----- | ----- |
| 35 | Washer – M3 x 2 mm | 4 | ----- | ----- |
| 36 | O-Ring | 1 | ----- | ----- |
| 37 | Connector | 1 | ----- | ----- |
| 38 | Washer | 2 | ----- | ----- |
| 39 | Washer | 1 | ----- | ----- |
| 40 | Cotter Pin | 2 | ----- | ----- |
| 41 | Spring Washer – M3 | 2 | ----- | ----- |
| 42 | Plate Lock | 1 | ----- | ----- |
| 43 | Plate Lock | 1 | ----- | ----- |
| 44 | Plate Lock | 1 | ----- | ----- |
| 45 | Plate Lock | 1 | ----- | ----- |
| 46 | Washer – M6 x 2 mm | 2 | ----- | ----- |
| 47 | Spring Washer – M6 x 2 mm | 2 | ----- | ----- |
| 48 | Bolt – M6-16-23 | 2 | ----- | ----- |

HYDRAULIC SYSTEM

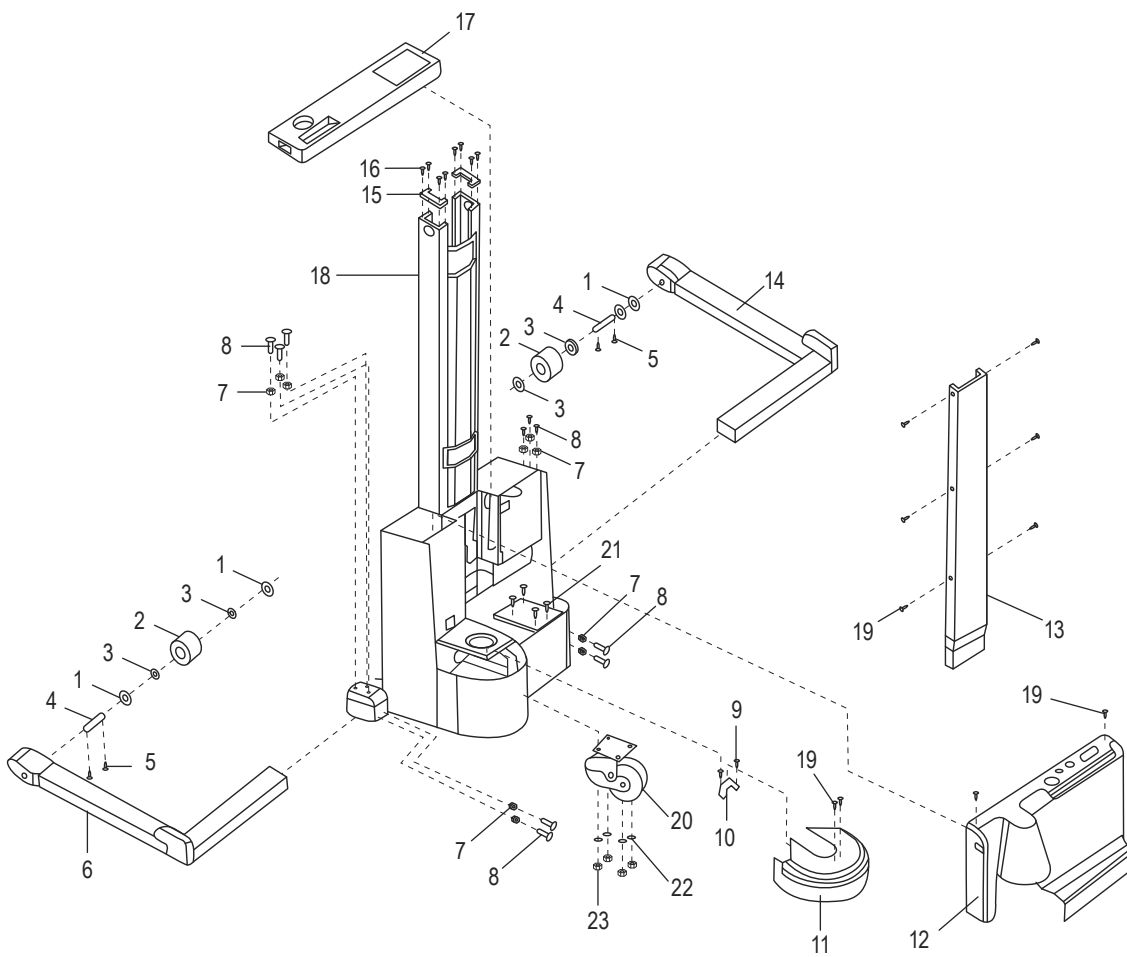


| # | DESCRIPTION | QTY. | ULINE PART NO. | MFG PART NO. |
|---|---------------------|------|----------------|--------------|
| 1 | Screw – M10 x 25 mm | 2 | ----- | ----- |
| 2 | Washer – M10 | 2 | ----- | ----- |
| 3 | Hydraulic Assembly | 1 | ----- | E2104001 |
| 4 | L-Adaptor | 1 | ----- | ----- |
| 5 | O-Ring | 1 | ----- | ----- |
| 6 | Oil Hose | 1 | ----- | M0502362 |
| 7 | Adaptor | 1 | ----- | ----- |

HYDRAULIC POWER UNIT

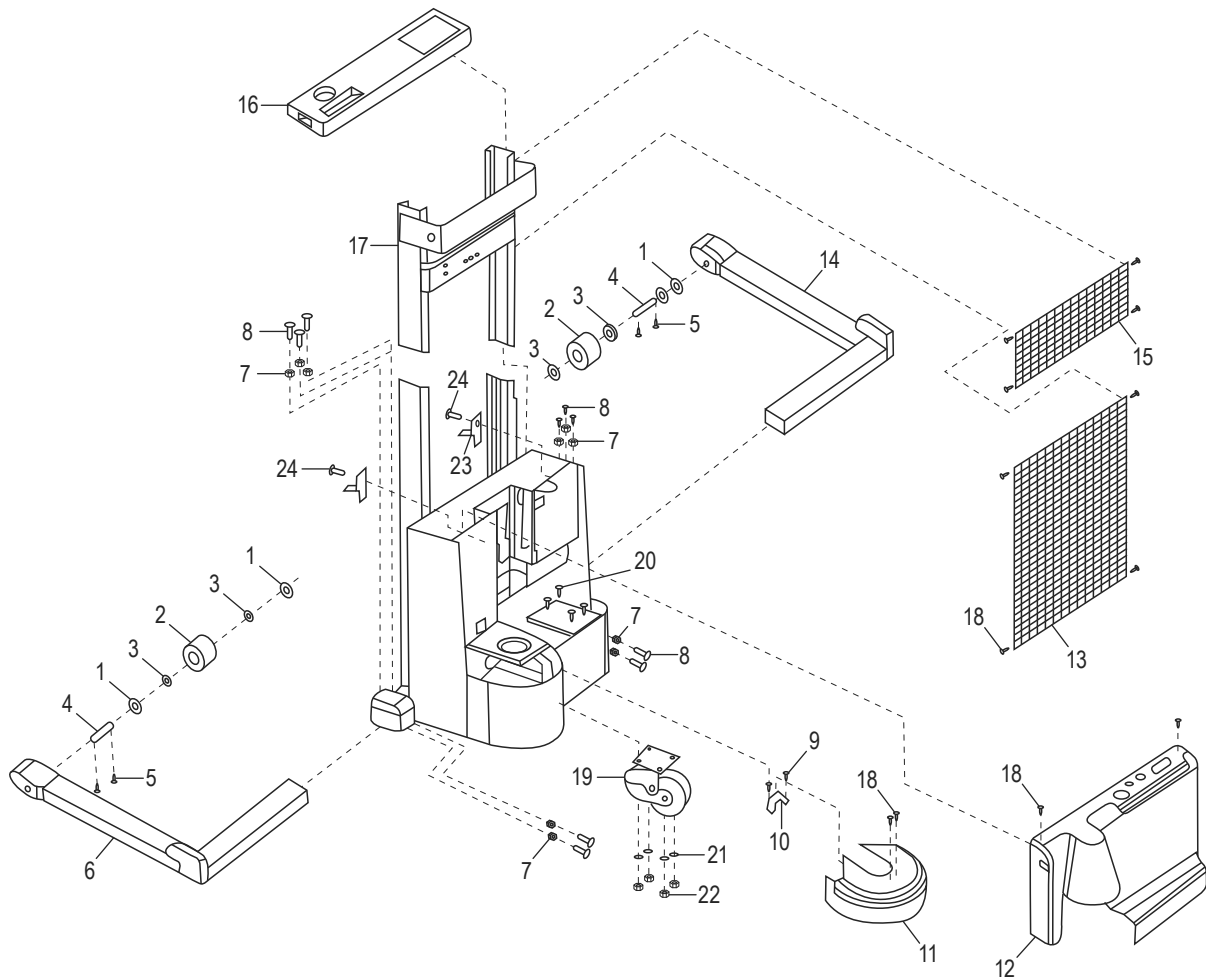


| # | DESCRIPTION | QTY. | ULINE PART NO. | MFG PART NO. |
|----|----------------------------------|------|----------------|--------------|
| 1 | Valve Block | 1 | ----- | ----- |
| 2 | Relief Valve | 1 | ----- | E2104001-02 |
| 3 | Unilateral Valve | 1 | ----- | ----- |
| 4 | Throttle Valve | 1 | ----- | E2104001-04 |
| 5 | Down Valve | 1 | H-3936-DV | E2104001P05 |
| 6 | Screw Plug, Metal | 1 | ----- | ----- |
| 6 | Screw Plug, Plastic | 1 | ----- | ----- |
| 7 | Gear Pump | 1 | ----- | ----- |
| 8 | Motor | 1 | ----- | ----- |
| 9 | Start Switch | 1 | H-3937-RAISE | E2104001-10 |
| 10 | Bolt, Spring Washer | 2 | ----- | ----- |
| 11 | O-Ring | 1 | ----- | ----- |
| 12 | Coupling | 1 | ----- | ----- |
| 13 | Bolt, Spring Washer – M8 x 80 mm | 4 | ----- | ----- |
| 14 | Oil Hose, Return | 1 | ----- | ----- |
| 15 | Oil Hose, Suction | 1 | ----- | ----- |
| 16 | Oil Filter | 1 | ----- | ----- |
| 17 | Oil Tank, Plastic | 1 | H-5252 | E2104001-18 |
| 18 | Bolt, Spring Washer – M6 x 12 mm | 4 | ----- | ----- |
| 19 | Oil Tank Cover | 1 | H-3937-OTCVR | E2104001P20 |

CUERPO DEL ESTIBADOR (H-3936)

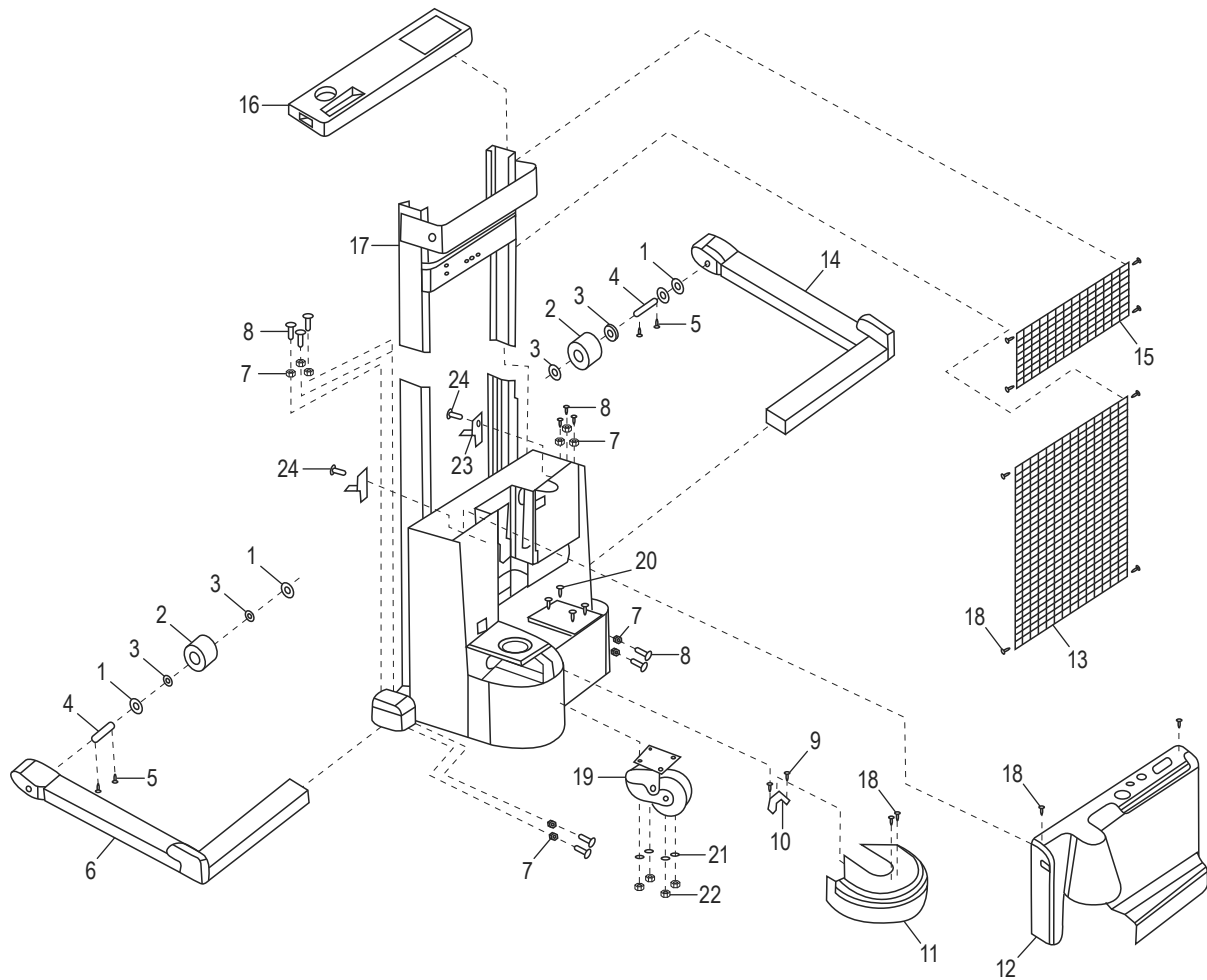
LISTA DE PARTES – CUERPO DEL ESTIBADOR (H-3936)

| # | DESCRIPCIÓN | CANT. | NO. DE PARTE DE ULINE | NO. DE PARTE DEL FABRICANTE |
|----|---|-------|-----------------------|-----------------------------|
| 1 | Separador | 4 | H-3937-SPCR | 312994 |
| 2 | Llanta de Carga | 2 | H-3936-WHEEL | 312991 |
| 3 | Balero | 4 | H-3936-BRING | M0901-6204RZ |
| 4 | Eje de la Llanta de Carga | 2 | H-3936-WHLAX | 313004 |
| 5 | Perno de M6 x 16 mm | 4 | H-3937-BOLT | M1403-M6-16 |
| 6 | Pata Ajustable (Lado Izquierdo) | 1 | ----- | 312971 |
| 7 | Tuerca de M16 x 2 mm | 10 | ----- | ----- |
| 8 | Perno de M16 x 60 mm | 10 | ----- | ----- |
| 9 | Perno de M6 x 20 mm | 2 | ----- | ----- |
| 10 | Soporte | 1 | ----- | 313005 |
| 11 | Cubierta para Llanta de Transmisión | 1 | H-3937DRWLCV | 312977 |
| 12 | Cubierta Posterior | 1 | H-3936-RCVR | 312981 |
| 13 | Cubierta para Cadena | 1 | H-3936-COVER | 312978 |
| 14 | Pata Ajustable (Lado Derecho) | 1 | ----- | 312976 |
| 15 | Cubierta del Límite de M12-1.75-25 | 2 | ----- | ----- |
| 16 | Perno | 4 | ----- | 313171 |
| 17 | Cubierta | 1 | ----- | 310304 |
| 18 | Ensamble del Cuerpo del Estibador | 1 | ----- | ----- |
| 19 | Tornillo | 2 | H-3936-SCRWQ | M1410-M6 16 |
| 20 | Ensamble de la Rueda Giratoria | 1 | H-3936-SWVL | 312984 |
| 21 | Perno de M12-1.75-40 | 4 | ----- | ----- |
| 22 | Rondana de M12 | 4 | ----- | ----- |
| 23 | Tuerca de M12 x 1.75 mm | 4 | ----- | ----- |
| | Interruptor de Proximidad (No Se Muestra) | 1 | H-8161 | R05354 |

**ESTIBADOR COMPLETAMENTE
ELÉCTRICO****CUERPO DEL ESTIBADOR (H-3937)**

LISTA DE PARTES – CUERPO DEL ESTIBADOR (H-3937)

| # | DESCRIPCIÓN | CANT. | NO. DE PARTE DE ULINE | NO. DE PARTE DEL FABRICANTE |
|----|-------------------------------------|-------|-----------------------|-----------------------------|
| 1 | Separador | 4 | H-3937-SPCR | 312994 |
| 2 | Llanta de Carga | 2 | H-3936-WHEEL | 312991 |
| 3 | Balero | 4 | H-3936-BRING | M0901-6204RZ |
| 4 | Eje | 2 | H-3937-WHLAX | 313004 |
| 5 | Perno de M6 x 16 mm | 4 | H-3937-BOLT | M1403-M6-16 |
| 6 | Pata Ajustable (Lado Izquierdo) | 1 | ----- | 312971 |
| 7 | Tuerca de M16 x 2 mm | 10 | ----- | ----- |
| 8 | Perno de M16 x 60 mm | 10 | ----- | ----- |
| 9 | Perno de M16 x 20 mm | 2 | ----- | ----- |
| 10 | Soporte, Fijación | 1 | ----- | 313005 |
| 11 | Cubierta para Llanta de Transmisión | 1 | H-3937DRWLCV | 312977 |
| 12 | Cubierta Posterior | 1 | H-3936-RCVR | 312981 |
| 13 | Cubierta para Cadena para H-3936 | 1 | H-3936-COVER | 312978 |
| 13 | Cubierta para Cadena para H-3937 | 1 | ----- | 313040B |
| 14 | Pata Ajustable (Lado Derecho) | 1 | ----- | 312976 |
| 15 | Cubierta | 1 | ----- | 313034 |
| 16 | Cubierta Superior | 1 | H-3937-TCBB | 313031 |
| 17 | Ensamble del Cuerpo del Estibador | 1 | ----- | ----- |
| 18 | Perno de M6 x 16 mm | 14 | ----- | ----- |
| 19 | Ensamble de la Rueda Giratoria | 1 | H-3936-SWVL | 312984 |
| 20 | Perno de M12 x 40 mm | 4 | ----- | ----- |
| 21 | Rondana con Resorte de M12 | 4 | ----- | ----- |
| 22 | Tuerca de M12 | 4 | ----- | ----- |
| 23 | Soporte para Batería | 4 | ----- | 313171 |
| 24 | Perno de M12-25 | 4 | ----- | ----- |

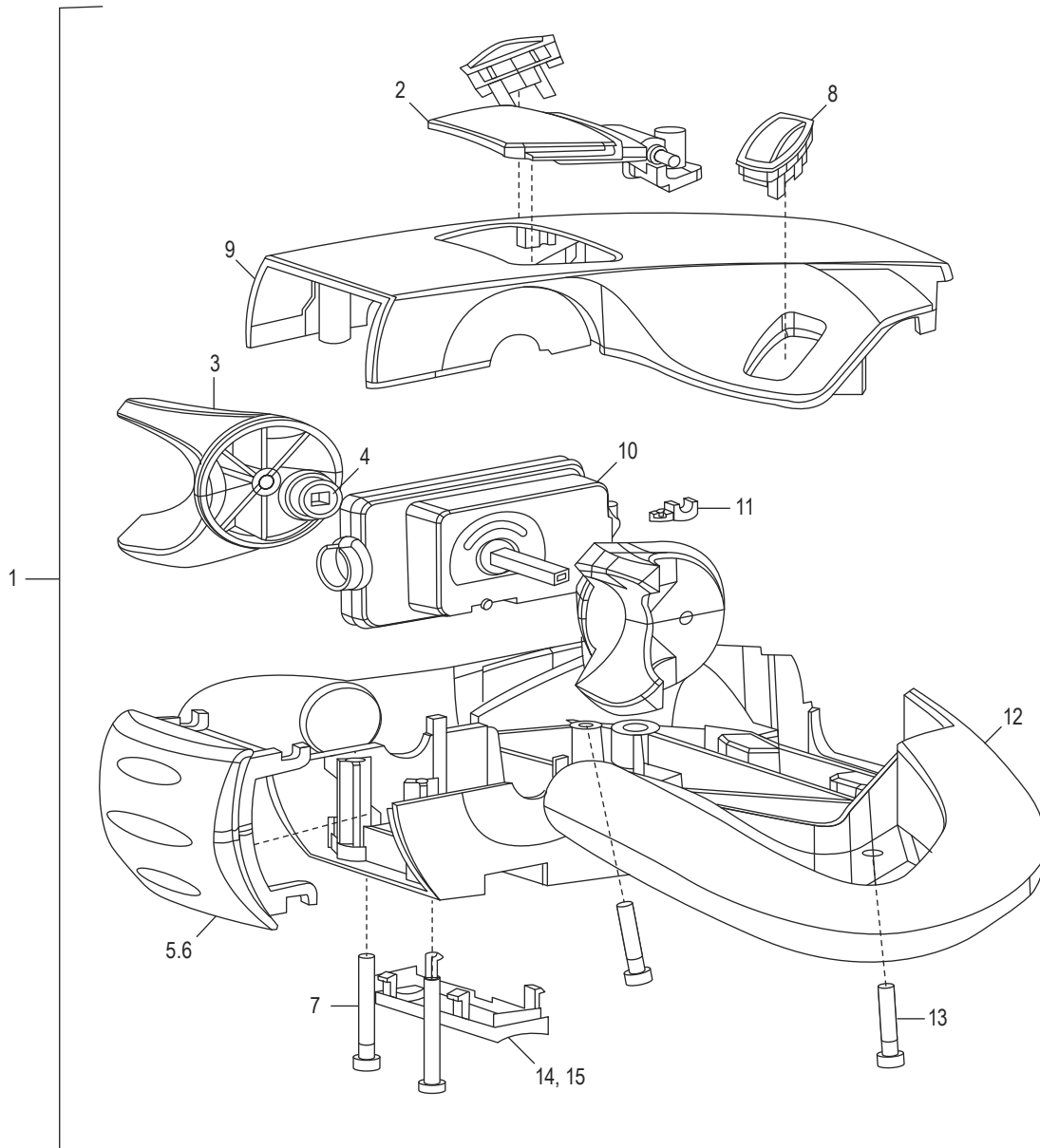
**ESTIBADOR COMPLETAMENTE
ELÉCTRICO****CUERPO DEL ESTIBADOR (H-8163)**

LISTA DE PARTES – CUERPO DEL ESTIBADOR (H-8163)

| # | DESCRIPCIÓN | CANT. | NO. DE PARTE DE ULINE | NO. DE PARTE DEL FABRICANTE |
|----|-------------------------------------|-------|-----------------------|-----------------------------|
| 1 | Separador | 4 | H-3937-SPCR | 312994 |
| 2 | Llanta de Carga | 2 | H-3936-WHEEL | 312991 |
| 3 | Balero | 4 | H-3936-BRING | M0901-6204RZ |
| 4 | Eje | 2 | H-3937-WHLAX | 313004 |
| 5 | Perno de M6 x 16 mm | 4 | H-3937-BOLT | M1403-M6-16 |
| 6 | Pata Ajustable (Lado Izquierdo) | 1 | ----- | 312971 |
| 7 | Tuerca de M16 x 2 mm | 10 | ----- | ----- |
| 8 | Perno de M16 x 60 mm | 10 | ----- | ----- |
| 9 | Perno de M16 x 20 mm | 2 | ----- | ----- |
| 10 | Soporte, Fijación | 1 | ----- | ----- |
| 11 | Cubierta para Llanta de Transmisión | 1 | H-3937DRWLCV | 312977 |
| 12 | Cubierta Posterior | 1 | H-3936-RCVR | 312981 |
| 13 | Cubierta para Cadena | 1 | ----- | ----- |
| 14 | Pata Ajustable (Lado Derecho) | 1 | ----- | ----- |
| 15 | Cubierta | 1 | ----- | ----- |
| 16 | Cubierta Superior | 1 | ----- | ----- |
| 17 | Ensamble del Cuerpo del Estibador | 1 | ----- | ----- |
| 18 | Perno | 14 | ----- | ----- |
| 19 | Ensamble de la Rueda Giratoria | 1 | H-3936-SWVL | 312984 |
| 20 | Perno | 4 | ----- | ----- |
| 21 | Rondana con Resorte | 4 | ----- | ----- |
| 22 | Tuerca | 4 | ----- | ----- |
| 23 | Soporte para Batería | 4 | ----- | ----- |
| 24 | Perno | 4 | ----- | ----- |

**ESTIBADOR COMPLETAMENTE
ELÉCTRICO**

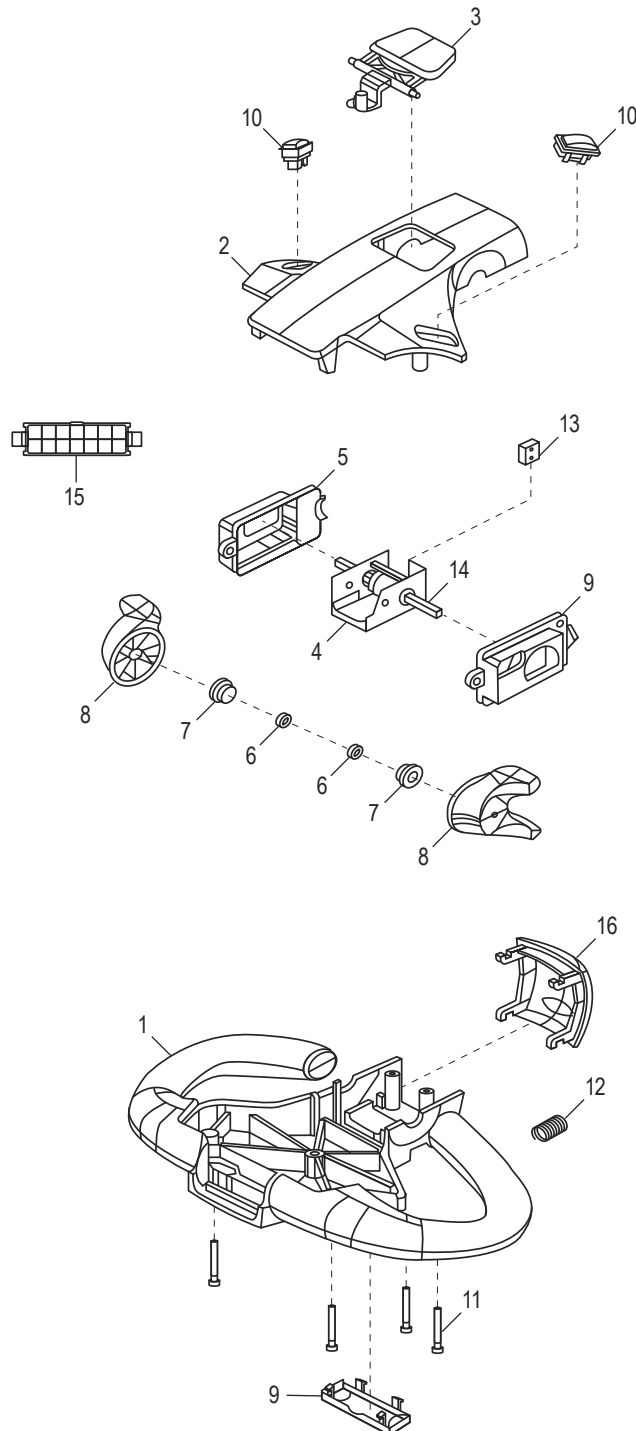
CONTENEDOR DE CONTROL



LISTA DE PARTES – CONTENEDOR DE CONTROL (CÓDIGO DE FECHA 9/2018–4/2019)

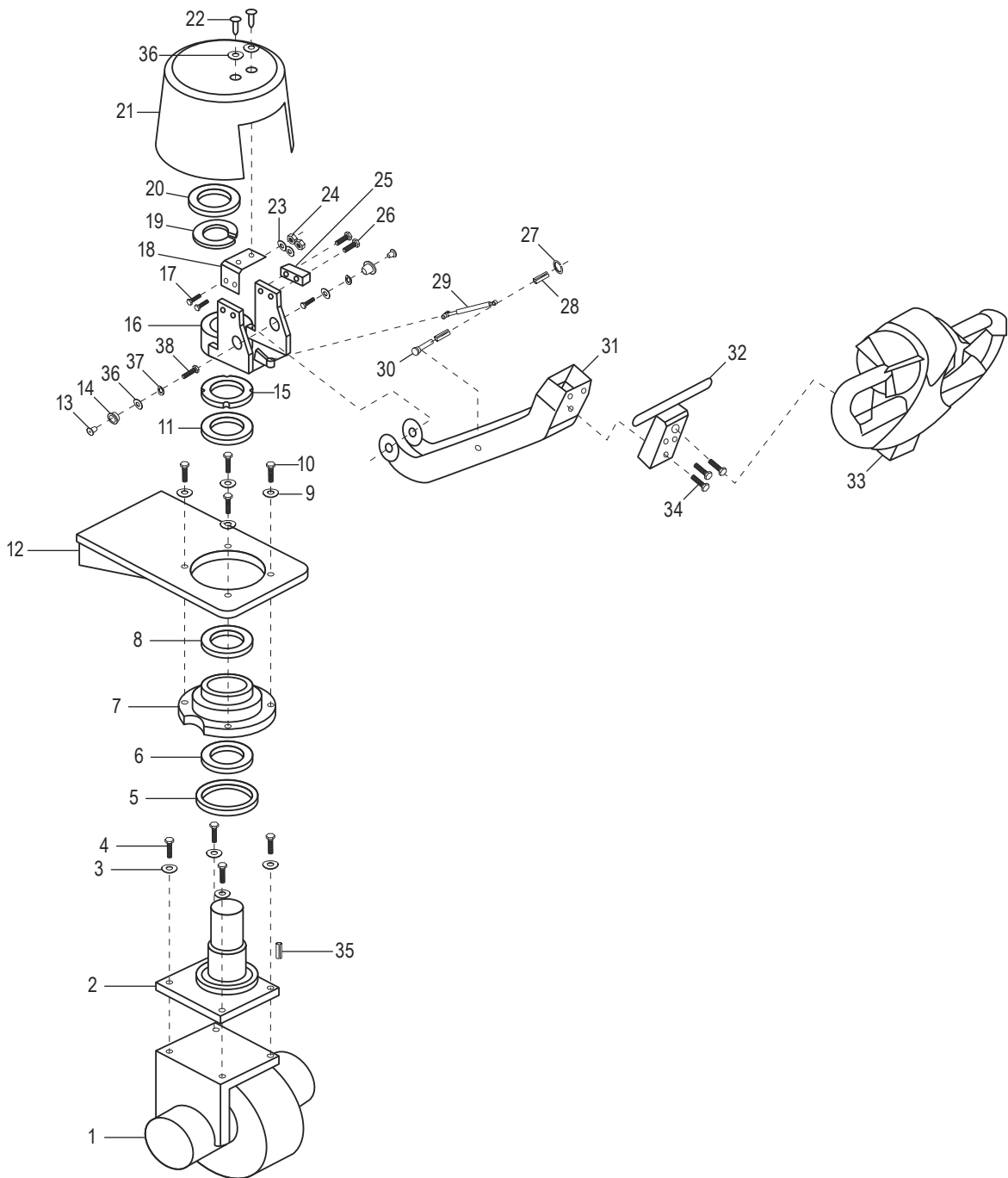
| # | DESCRIPCIÓN | CANT. | NO. DE PARTE DE ULINE | NO. PARTE DEL FABRICANTE |
|----|--|-------|-----------------------|--------------------------|
| 1 | Contenedor de Control Tipo 3 | 1 | H-3936-CP3 | E4001156 |
| 1 | Contenedor de Control Tipo 2 | 1 | H-3937-CP2 | E4001187 |
| 2 | Botón del Claxon | 1 | ----- | E4001156P01 |
| 3 | Perilla | 2 | ----- | E4001156P02 |
| 4 | Balero | 2 | ----- | E4001156P03 |
| 5 | Interruptor de Seguridad de Botón | 1 | ----- | E4001156P04 |
| 6 | Resorte | 1 | ----- | E4001156P05 |
| 7 | Tornillo de Casquillo Hexagonal | 2 | ----- | E4001156P06 |
| 8 | Interruptores de Elevación | 2 | H-3936-LSC45 | 312928 |
| 8 | Interruptor de Elevación (Solo Botón de Balanceo) | 2 | H-3936-LSRBO | E4001156P07 |
| 9 | Cubierta Superior | 1 | ----- | E4001156P08 |
| 10 | Acelerador | 1 | H-3936-AA | E4001156P09 |
| 11 | Anillo de Presión | 2 | ----- | E4001156P10 |
| 12 | Base | 1 | ----- | E4001156P11 |
| 13 | Tornillo de Casquillo Hexagonal | 2 | ----- | E4001156P12 |
| 14 | Botón | 1 | ----- | E4001156P13 |
| 15 | Resorte | 2 | ----- | E4001156P14 |

CONTENEDOR DE CONTROL (CÓDIGO DE FECHA DESPUÉS DE 4/2019)



LISTA DE PARTES – CONTENEDOR DE CONTROL (CÓDIGO DE FECHA DESPUÉS DE 4/2019)

| # | DESCRIPCIÓN | CANT. | NO. DE PARTE DE ULINE | NO. PARTE DEL FABRICANTE |
|----|--|-------|-----------------------|---|
| 1 | Ensamble del Asa | 1 | ----- | ----- |
| 2 | Cubierta Superior | 2 | ----- | TL3012193 |
| 3 | Ensamble del Claxon | 1 | ----- | TL3012194 |
| 4a | Interruptor del Acelerador hasta marzo de 2020 | 1 | H-3936-AA | E4001156P09 |
| 4b | Interruptor del Acelerador desde abril de 2020 | 1 | ----- | TL3017310 |
| 5 | Cubierta del Interruptor | 1 | ----- | TL3012196 |
| 6 | Balero Interior | 2 | ----- | ----- |
| 7 | Balero Exterior | 2 | ----- | ----- |
| 8 | Perilla | 2 | ----- | TL3012201 |
| 9 | Cubierta del Interruptor | 1 | ----- | TL3012202 |
| 10 | Interruptor de Elevación/Descenso | 2 | ----- | TL3012203 |
| 11 | Perno | 4 | ----- | TL3012204 |
| 12 | Resorte (Botón de Emergencia) | 1 | ----- | Requiere el Número de Serie de la Máquina |
| 13 | Microinterruptor con Ensamble del Acelerador | 1 | ----- | TLB356951 |
| 14 | Eje | 1 | ----- | ----- |
| 15 | Casquillo | 6 | ----- | ----- |
| 16 | Botón de Emergencia | 1 | ----- | E4001156P04 |

**ESTIBADOR COMPLETAMENTE
ELÉCTRICO****ENSAMBLE DE DIRECCIÓN**



H-3936, H-3937
H-8163

800-295-5510
uline.mx

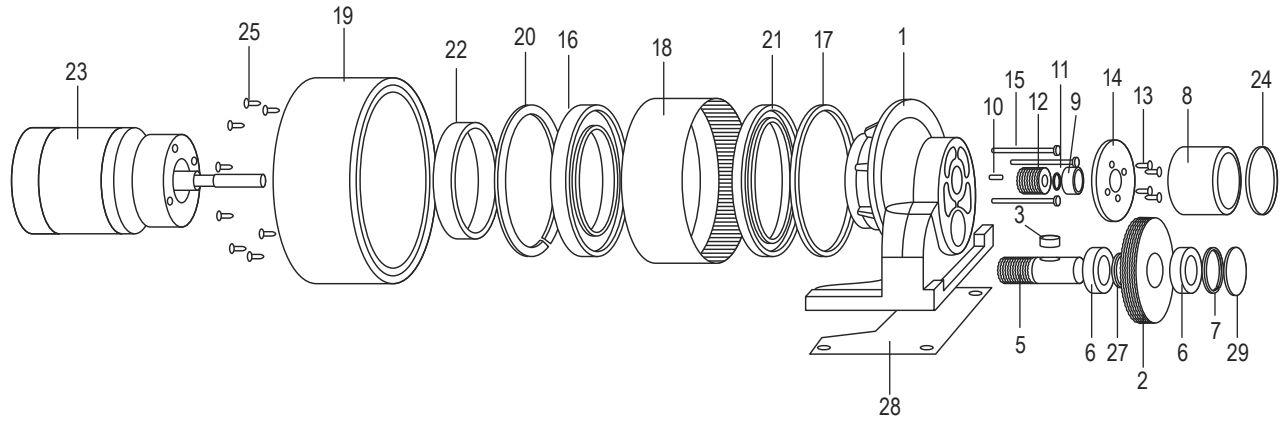
ESTIBADOR COMPLETAMENTE ELÉCTRICO

LISTA DE PARTES – ENSAMBLE DE DIRECCIÓN (CÓDIGO DE FECHA HASTA 3/2021)

| # | DESCRIPCIÓN | CANT. | NO. DE PARTE DE ULINE | NO. PARTE DEL FABRICANTE |
|----|--------------------------------------|-------|-----------------------|--------------------------|
| 1 | Ensamble de la Llanta de Transmisión | 1 | ----- | E2102024 |
| 2 | Ensamble del Eje | 1 | ----- | 312982A |
| 3 | Rondana con Resorte de M10 | 4 | ----- | ----- |
| 4 | Perno de M10 x 35 mm | 4 | ----- | ----- |
| 5 | Sello | 1 | H-3936-1057 | M0703-80 105 7 |
| 6 | Balero | 1 | ----- | M0903-32013 |
| 7 | Soporte del Eje | 1 | ----- | 312989A |
| 8 | Balero | 1 | H-3936-61812 | M0901-61812RZ |
| 9 | Rondana con Resorte de M10 x 35 mm | 4 | ----- | ----- |
| 10 | Perno de M10 | 4 | ----- | ----- |
| 11 | Rondana | 1 | ----- | 312996 |
| 12 | Tablero de Fijación | 1 | ----- | ----- |
| 13 | Perno | 2 | H-3937BOLT | 312992 |
| 14 | Eje de Collar | 2 | H-3937SPINDL | 312985 |
| 15 | Contratuerca | 1 | ----- | 312997 |
| 16 | Conexión de Fijación | 1 | ----- | 312990 |
| 17 | Perno de M6 x 25 mm | 2 | ----- | ----- |
| 18 | Cubierta del Eje de Anclaje | 1 | ----- | 313006 |
| 19 | Rondana de Bloqueo | 1 | ----- | ----- |
| 20 | Tuerca | 1 | ----- | 312999 |
| 21 | Cubierta del Eje | 1 | H-5253 | 312980 |
| 22 | Tornillo de M6-16 | 2 | ----- | ----- |
| 23 | Rondana con Resorte de M6 | 2 | ----- | ----- |
| 24 | Tuerca de M6 | 2 | ----- | ----- |
| 25 | Interruptor de Proximidad | 1 | H-3936-PROX | R04994 |
| 26 | Perno de M4 x 30 mm | 2 | ----- | ----- |
| 27 | Anillo de Retención de S8 | 1 | ----- | ----- |
| 28 | Collar del Eje | 2 | H-3936-SP128 | 312988 |
| 29 | Resorte de Aire | 1 | H-3937-SPRNG | R00911 |
| 30 | Eje de Fijación | 1 | H-3936-FIX30 | 312987A |
| 31 | Brazo de Dirección | 1 | ----- | 313180A |
| 32 | Asa de Anclaje | 1 | ----- | 313183 |
| 33 | Contenedor de Control | 1 | ----- | E401141 |
| 34 | Perno de M8 x 20 mm | 3 | ----- | ----- |
| 35 | Llave Plana | 1 | ----- | ----- |
| 36 | Rondana de M6 | 2 | ----- | ----- |
| 37 | Rondana con Resorte de M8 | 2 | ----- | ----- |
| 38 | Perno de M8 x 16 mm | 2 | ----- | ----- |

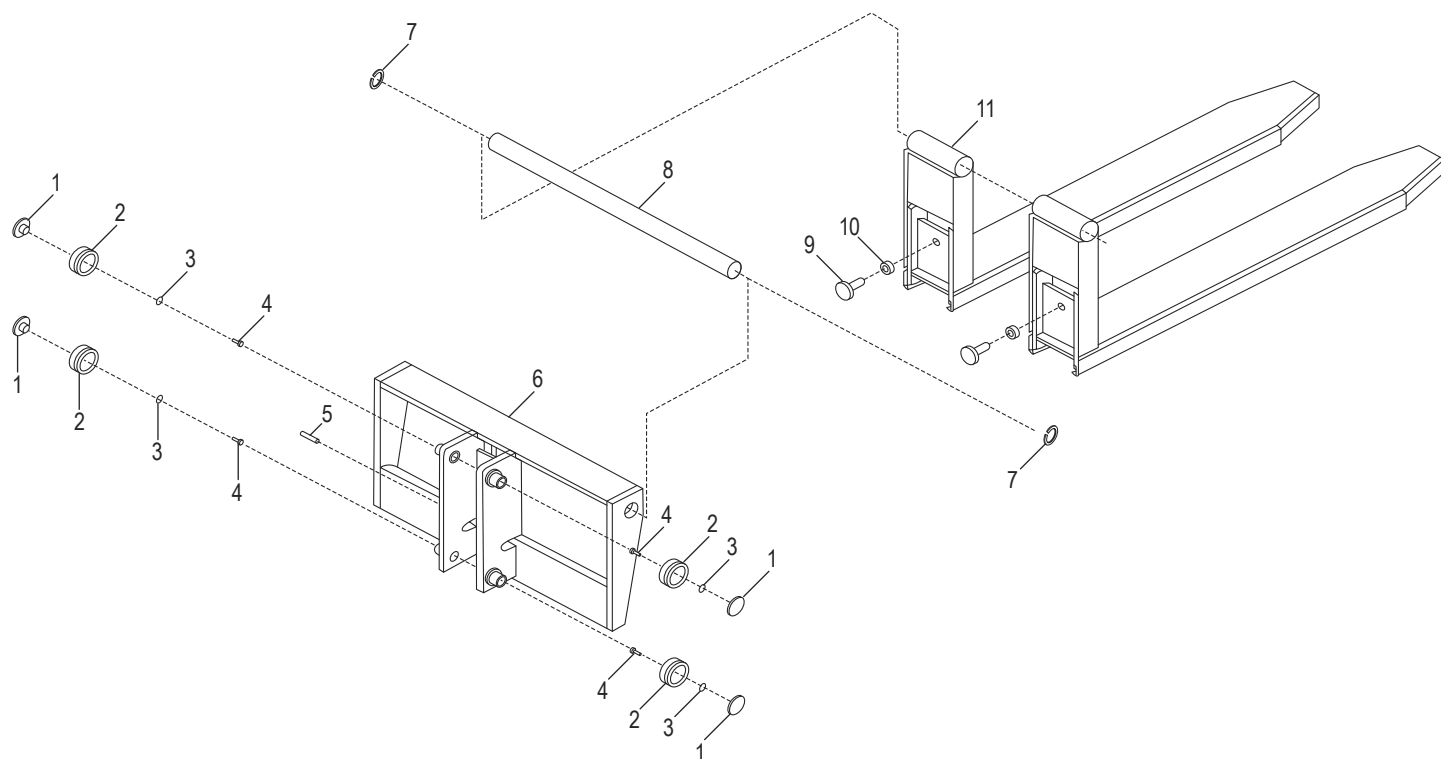
ESTIBADOR COMPLETAMENTE ELÉCTRICO

ENSAMBLE DE LA LLANTA DE TRANSMISIÓN



| # | DESCRIPCIÓN | CANT. | NO. DE PARTE DE ULINE | NO. DE PARTE DEL FABRICANTE |
|----|-------------------|-------|-----------------------|-----------------------------|
| 1 | Cubierta | 1 | ----- | ----- |
| 2 | Engrane Grande | 1 | ----- | ----- |
| 3 | Llave | 1 | ----- | E2102024P03 |
| 5 | Engrane del Eje | 1 | ----- | ----- |
| 6 | Balero | 2 | ----- | E2102024PO6 |
| 7 | Anillo Deflector | 1 | ----- | E2102024P07 |
| 8 | Freno Eléctrico | 1 | H-3936-BRAKE | E2102024P08 |
| 9 | Balero | 1 | ----- | E2102024P09 |
| 10 | Llave | 2 | ----- | E2102024P10 |
| 11 | Anillo Deflector | 1 | ----- | E2102024P11 |
| 12 | Engrane Chico | 1 | ----- | E2102024P12 |
| 13 | Tornillo | 4 | ----- | ----- |
| 14 | Brida | 1 | ----- | ----- |
| 15 | Tornillo | 3 | ----- | ----- |
| 16 | Balero | 1 | ----- | E2102024P16 |
| 17 | Sello | 1 | ----- | E2102024P17 |
| 18 | Engrane de Anillo | 1 | ----- | E2102024P18 |
| 19 | Rueda | 1 | H-3936-PDW | E2102024P19 |
| 20 | Anillo Deflector | 1 | ----- | E2102024P20 |
| 21 | Sello | 1 | ----- | E2102024P21 |
| 22 | Anillo | 1 | ----- | E2102024P22 |
| 23 | Motor de Tracción | 1 | H-3937-TRACQ | E2102024P023 |
| 24 | Anillo para Polvo | 1 | ----- | E2102024P24 |
| 25 | Tornillo | 10 | ----- | E2102024P25 |
| 27 | Separador | 1 | ----- | ----- |
| 28 | Panel | 1 | ----- | ----- |
| 29 | Tapa Contra Polvo | 1 | ----- | ----- |

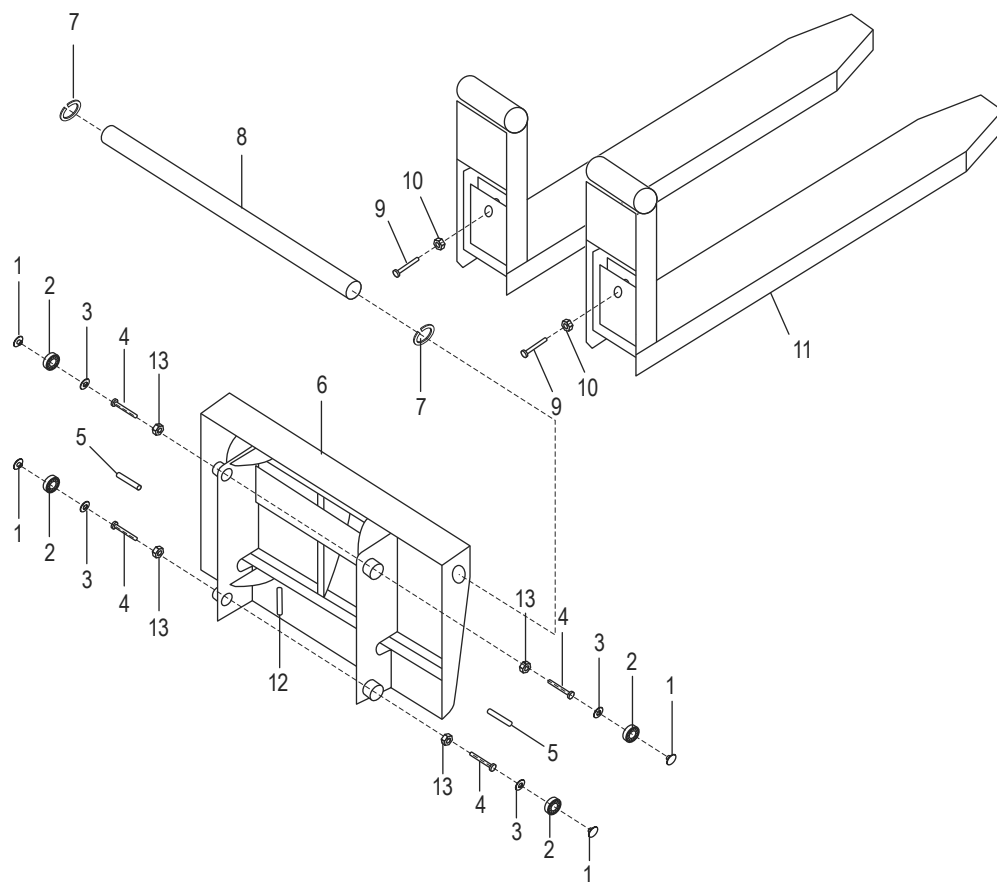
ENSAMBLE DEL PORTADOR (H-3936)



| # | DESCRIPCIÓN | CANT. | NO. DE PARTE DE ULINE | NO. DE PARTE DEL FABRICANTE |
|----|----------------------------|-------|-----------------------|-----------------------------|
| 1 | Bloque | 4 | ----- | 3002861 |
| 2 | Rodillo | 4 | H-3936-RLLR | M1324011 |
| 3 | Rondana | 4 | ----- | 3002820 |
| 4 | Perno de M6 x 20 mm | 4 | ----- | ----- |
| 5 | Pasador Fijo, Cadena | 1 | ----- | 313002 |
| 6 | Ensamble del Portador | 1 | ----- | ----- |
| 7 | Anillo de Retención de S40 | 2 | ----- | ----- |
| 8 | Eje de Alimentación | 1 | ----- | 313001 |
| 9 | Perno | 2 | ----- | 313003 |
| 10 | Tuerca de M16 | 2 | ----- | ----- |
| 11 | Horquilla Soldada | 2 | ----- | 313983 |

**ESTIBADOR COMPLETAMENTE
ELÉCTRICO**

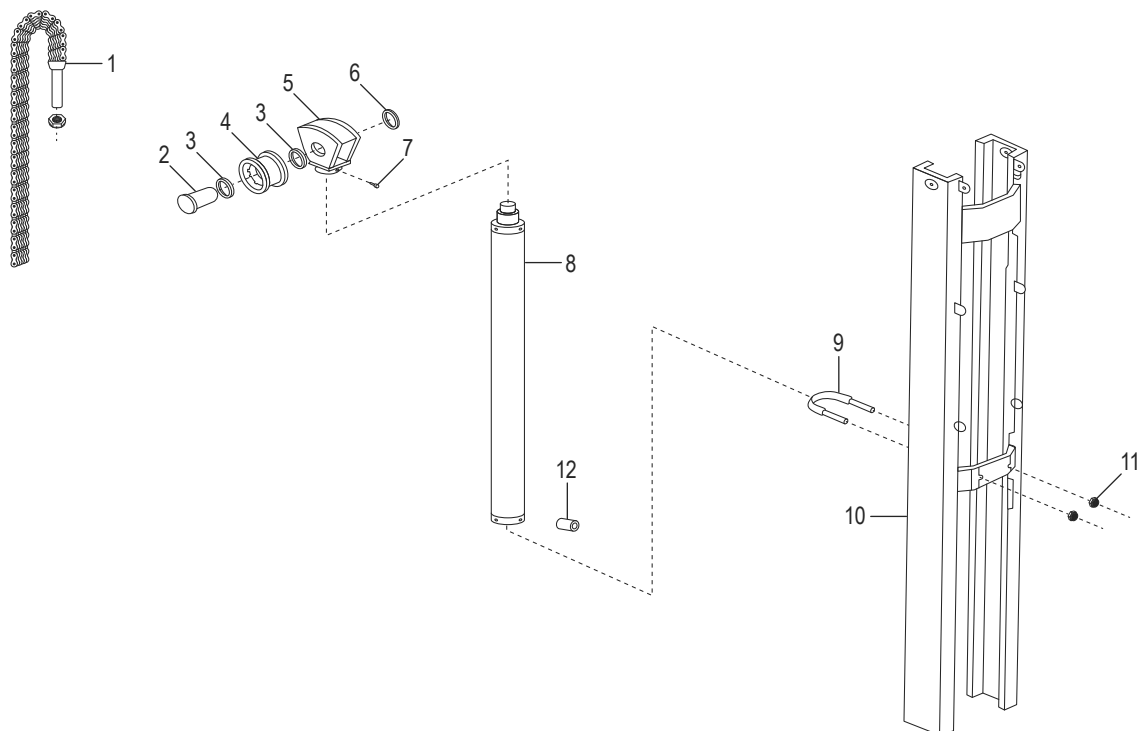
ENSAMBLE DEL PORTADOR (H-3937)



| # | DESCRIPCIÓN | CANT. | NO. DE PARTE DE ULINE | NO. DE PARTE DEL FABRICANTE |
|----|------------------------------------|-------|-----------------------|-----------------------------|
| 1 | Bloque | 4 | ----- | 3002861 |
| 2 | Rodillo | 4 | H-3936-RLLR | M1324011 |
| 3 | Rondana | 4 | ----- | 3002820 |
| 4 | Perno de M6 x 25 mm | 4 | ----- | ----- |
| 5 | Pasador Fijo, Cadena de M8 x 50 mm | 1 | ----- | ----- |
| 6 | Ensamble del Soporte de Carga | 1 | ----- | ----- |
| 7 | Anillo de Retención de S40 | 2 | ----- | ----- |
| 8 | Eje de Alimentación | 1 | ----- | ----- |
| 9 | Perno | 2 | ----- | 313003 |
| 10 | Tuerca de M16 | 2 | ----- | ----- |
| 11 | Horquilla Soldada | 2 | ----- | 312983 |
| 12 | Pasador de Chaveta | 2 | ----- | ----- |
| 13 | Tuerca de M8 | 4 | ----- | ----- |

ESTIBADOR COMPLETAMENTE ELÉCTRICO

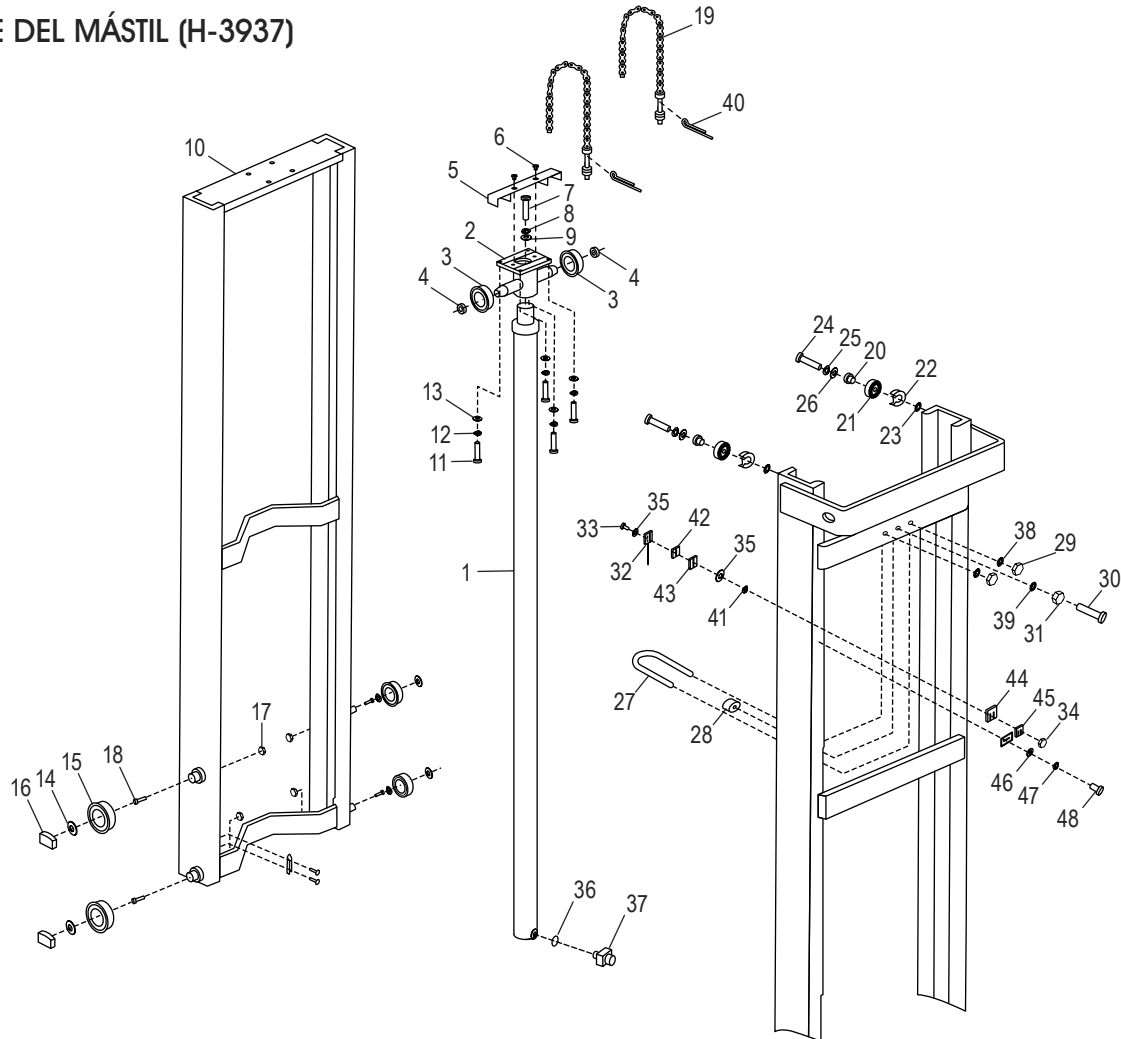
ENSAMBLE DEL MÁSTIL (H-3936, H-8163)



| # | DESCRIPCIÓN | CANT. | NO. DE PARTE DE ULINE | NO. DE PARTE DEL FABRICANTE |
|----|-------------------------------|-------|-----------------------|-----------------------------|
| 1 | Ensamble de la Cadena | 1 | ----- | B383444 |
| 2 | Clavija del Pivote | 1 | ----- | 313000B |
| 3 | Separador | 2 | ----- | 312974 |
| 4 | Rueda de la Cadena | 1 | ----- | 32922 |
| 5 | Soporte de Rueda de la Cadena | 1 | ----- | 312972A |
| 6 | Anillo de Retención de S40 | 1 | ----- | ----- |
| 7 | Perno de M6 x 16 mm | 1 | ----- | ----- |
| 8 | Cilindro de Elevación | 1 | ----- | 312970 |
| 9 | Perno en U | 1 | ----- | 312995A |
| 10 | Ensamble del Mástil | 1 | ----- | No Disponible |
| 11 | Tuerca de Seguridad de M10 | 2 | ----- | ----- |
| 12 | Válvula de Control | 1 | ----- | 3003423 |

ESTIBADOR COMPLETAMENTE ELÉCTRICO

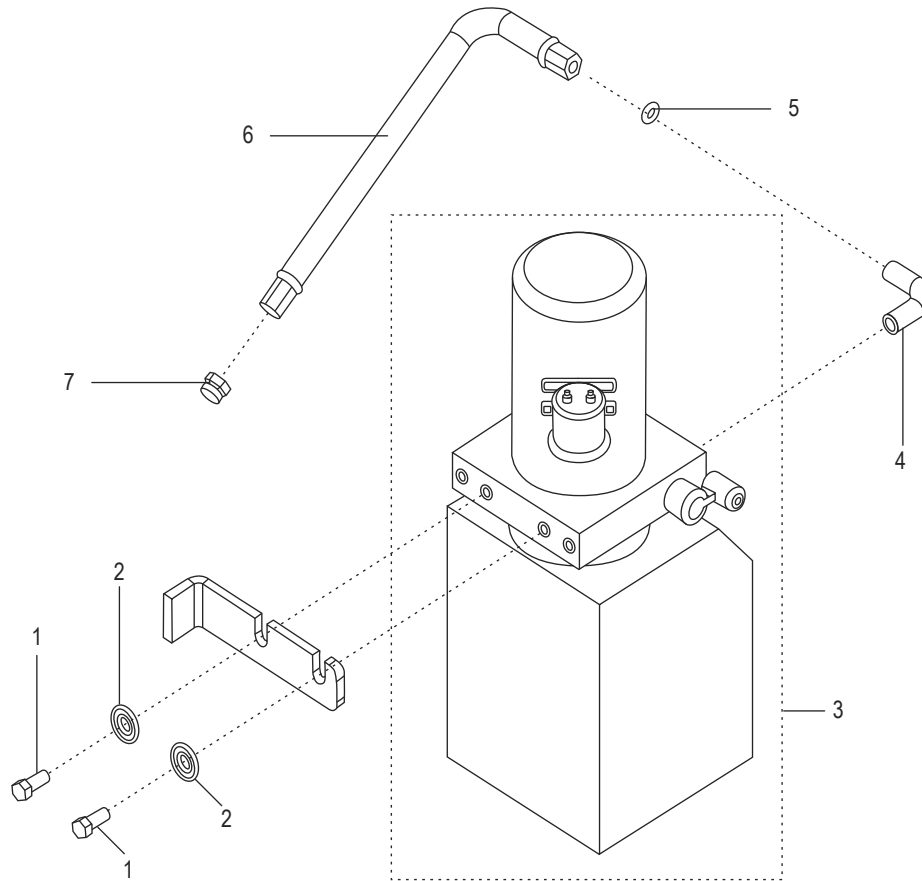
ENSAMBLE DEL MÁSTIL (H-3937)



| # | DESCRIPCIÓN | CANT. | NO. DE PARTE DE ULINE | NO. DE PARTE DEL FABRICANTE |
|----|--|-------|-----------------------|-----------------------------|
| 1 | Cilindro de Elevación para H-3937 | 1 | H-3937-CYLR | B383419 |
| 1 | Cilindro de Elevación para H-8163 | 1 | H-8163-CYL | B383418 |
| 2 | Soporte de Rueda de la Cadena | 1 | H-8163-20Q | 3002887A |
| 3 | Rueda de la Cadena | 2 | H-8163-19Q | 3003012 |
| 4 | Anillo de Retención de S30 | 2 | ----- | ----- |
| 5 | Superior, Rueda de la Cadena | 1 | H-8163-14Q | 3002881 |
| 6 | Perno del Resorte | 2 | H-8163-13Q | M1305-6*12 |
| 7 | Perno de M12 x 90 mm | 1 | ----- | ----- |
| 8 | Rondana con Resorte de M12 | 1 | ----- | ----- |
| 9 | Rondana de M12 | 1 | ----- | ----- |
| 10 | Ensamble del Mástil Interior para H-3937 | 1 | ----- | ----- |
| 10 | Ensamble del Mástil Interior para H-8163 | 1 | ----- | ----- |

CONTINUACIÓN DE LA LISTA DE PARTES DEL ENSAMBLE DEL MÁSTIL (H-3937)

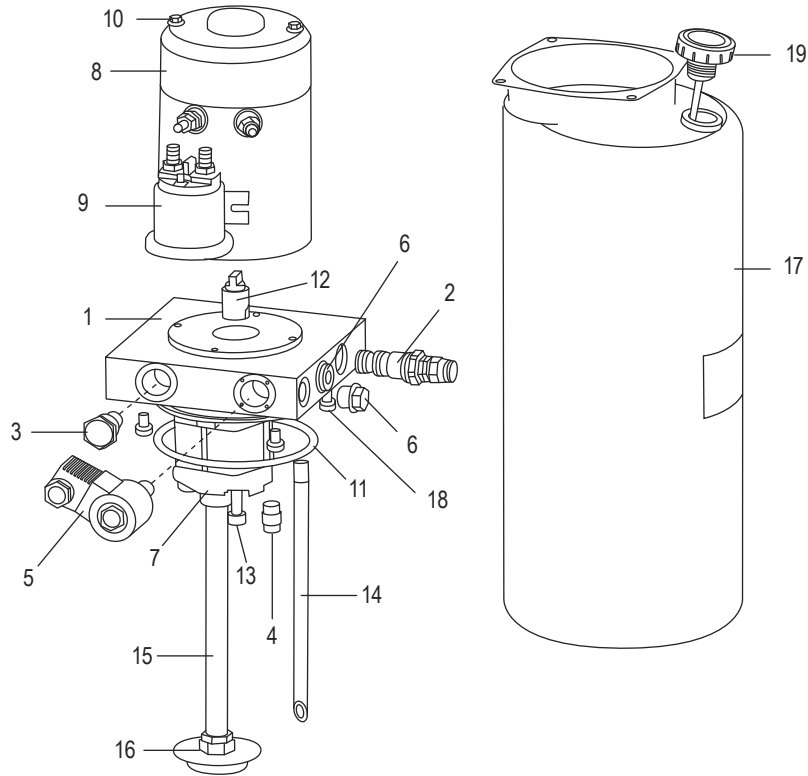
| # | DESCRIPCIÓN | CANT. | NO. DE PARTE DE ULINE | NO. DE PARTE DEL FABRICANTE |
|----|-----------------------------------|-------|-----------------------|-----------------------------|
| 11 | Perno de M10 x 35 mm | 4 | ----- | ----- |
| 12 | Rondana con Resorte de M10 | 4 | ----- | ----- |
| 13 | Rondana | 4 | ----- | ----- |
| 14 | Rondana de M10 x 2 mm | 4 | ----- | 3002820 |
| 15 | Balero para Rodillo | 4 | H-3936-RLLR | M1324011 |
| 16 | Bloque | 4 | ----- | 3002861 |
| 17 | Tuerca de M6 x 1.0 mm | 4 | ----- | ----- |
| 18 | Perno de M6 x 25 mm | 4 | ----- | ----- |
| 19 | Ensamble de la Cadena para H-3937 | 2 | ----- | B383422 |
| 19 | Ensamble de la Cadena para H-8163 | 2 | ----- | ----- |
| 20 | Eje | 1 | H-8163-20Q | 3002887A |
| 21 | Balero | 2 | H-3936-BRING | M0901-6204RZ |
| 22 | Cubierta para Polvo | 2 | ----- | 3002873A |
| 23 | Separador | 2 | ----- | 3002877 |
| 24 | Perno de M8 x 25 mm | 2 | ----- | ----- |
| 25 | Rondana con Resorte de M8 x 2 mm | 2 | ----- | ----- |
| 26 | Rondana de M8 x 2 mm | 2 | ----- | ----- |
| 27 | Perno en U | 1 | ----- | ----- |
| 28 | Separador de Caucho | 1 | ----- | ----- |
| 29 | Tuerca de M8 x 13 mm | 4 | ----- | ----- |
| 30 | Perno | 2 | ----- | ----- |
| 31 | Tuerca de M-12-0 | 1 | ----- | ----- |
| 32 | Interruptor de Proximidad | 2 | ----- | ----- |
| 33 | Perno de M3-25-23 | 2 | ----- | ----- |
| 34 | Tuerca de M3 x 2 mm | 2 | ----- | ----- |
| 35 | Rondana de M3 x 2 mm | 4 | ----- | ----- |
| 36 | Anillo Tórico | 1 | ----- | ----- |
| 37 | Conector | 1 | ----- | ----- |
| 38 | Rondana | 2 | ----- | ----- |
| 39 | Rondana | 1 | ----- | ----- |
| 40 | Pasador de Chaveta | 2 | ----- | ----- |
| 41 | Rondana con Resorte de M3 | 2 | ----- | ----- |
| 42 | Bloqueo de Placa | 1 | ----- | ----- |
| 43 | Bloqueo de Placa | 1 | ----- | ----- |
| 44 | Bloqueo de Placa | 1 | ----- | ----- |
| 45 | Bloqueo de Placa | 1 | ----- | ----- |
| 46 | Rondana de M6 x 2 mm | 2 | ----- | ----- |
| 47 | Rondana con Resorte de M6 x 2 mm | 2 | ----- | ----- |
| 48 | Perno de M6-16-23 | 2 | ----- | ----- |

**ESTIBADOR COMPLETAMENTE
ELÉCTRICO**800-295-5510
uline.mx**FUENTE DE ALIMENTACIÓN HIDRÁULICA**

| # | DESCRIPCIÓN | CANT. | NO. DE PARTE DE ULINE | NO. PARTE DEL FABRICANTE |
|---|-------------------------|-------|-----------------------|--------------------------|
| 1 | Tornillo de M10 x 25 mm | 2 | ----- | ----- |
| 2 | Rondana de M10 | 2 | ----- | ----- |
| 3 | Ensamble Hidráulico | 1 | ----- | E2104001 |
| 4 | Adaptador en L | 1 | ----- | ----- |
| 5 | Anillo Tórico | 1 | ----- | ----- |
| 6 | Manguera para Aceite | 1 | ----- | M0502362 |
| 7 | Adaptador | 1 | ----- | ----- |

ESTIBADOR COMPLETAMENTE ELÉCTRICO

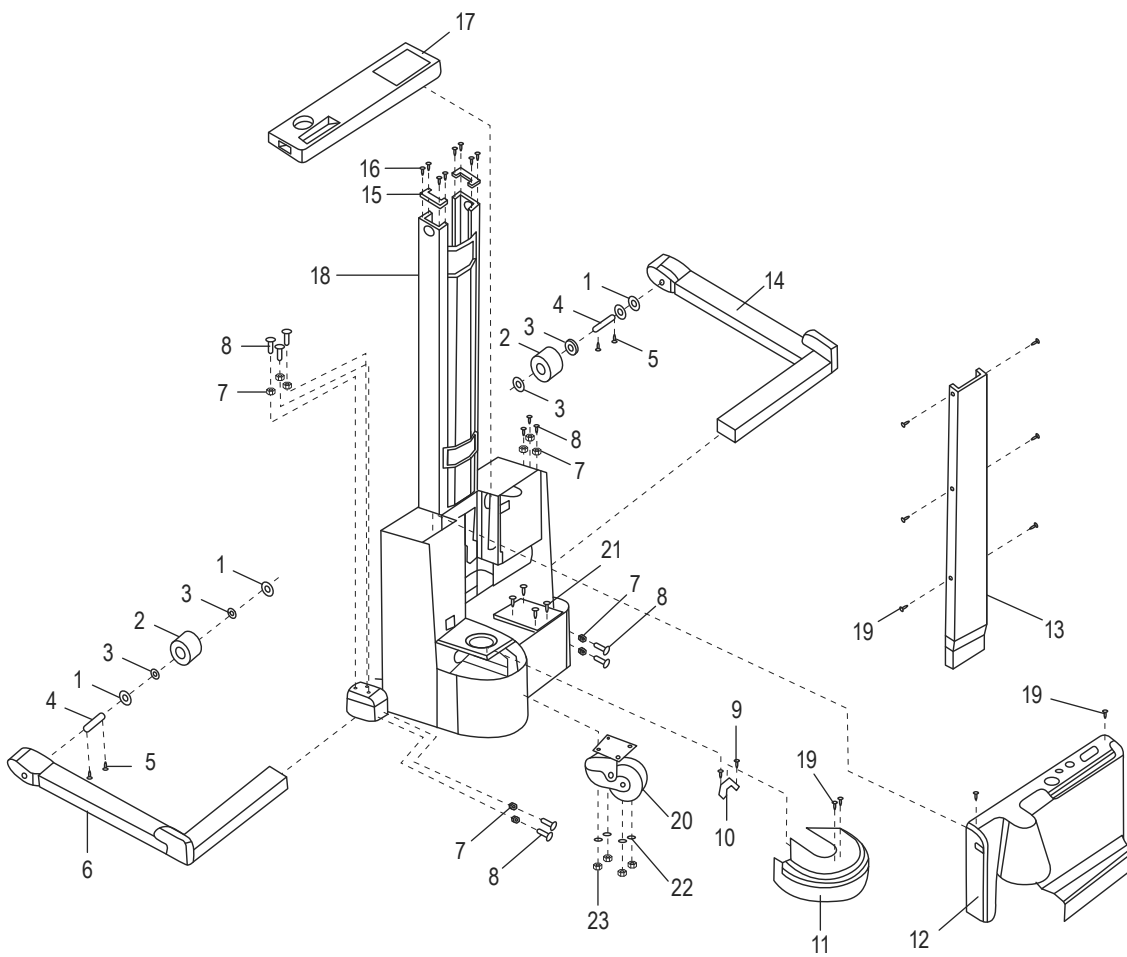
UNIDAD DE ALIMENTACIÓN HIDRÁULICA



| # | DESCRIPCIÓN | CANT. | NO. DE PARTE DE ULINE | NO. DE PARTE DEL FABRICANTE |
|----|--|-------|-----------------------|-----------------------------|
| 1 | Bloque de Válvula | 1 | ----- | ----- |
| 2 | Válvula de Liberación | 1 | ----- | E2104001-02 |
| 3 | Válvula Unilateral | 1 | ----- | ----- |
| 4 | Válvula del Acelerador | 1 | ----- | E2104001-04 |
| 5 | Válvula Inferior | 1 | H-3936-DV | E2104001P05 |
| 6 | Tapón de Tornillo, Metal | 1 | ----- | ----- |
| 6 | Tapón de Tornillo, Plástico | 1 | ----- | ----- |
| 7 | Bomba de Engrane | 1 | ----- | ----- |
| 8 | Motor | 1 | ----- | ----- |
| 9 | Interruptor de Inicio | 1 | H-3937-RAISE | E2104001-10 |
| 10 | Perno, Rondana con Resorte | 2 | ----- | ----- |
| 11 | Anillo Tórico | 1 | ----- | ----- |
| 12 | Acople | 1 | ----- | ----- |
| 13 | Perno, Rondana con Resorte de M8 x 80 mm | 4 | ----- | ----- |
| 14 | Manguera para Aceite, Retorno | 1 | ----- | ----- |
| 15 | Manguera para Aceite, Succión | 1 | ----- | ----- |
| 16 | Filtro de Aceite | 1 | ----- | ----- |
| 17 | Tanque de Aceite, Plástico | 1 | H-5252 | E2104001-18 |
| 18 | Perno, Rondana con Resorte de M6 x 12 mm | 4 | ----- | ----- |
| 19 | Cubierta del Tanque de Aceite | 1 | H-3937-OTCVR | E2104001P20 |

GERBEUR ENTIÈREMENT MOTORISÉ

CHÂSSIS DU GERBEUR (H-3936)



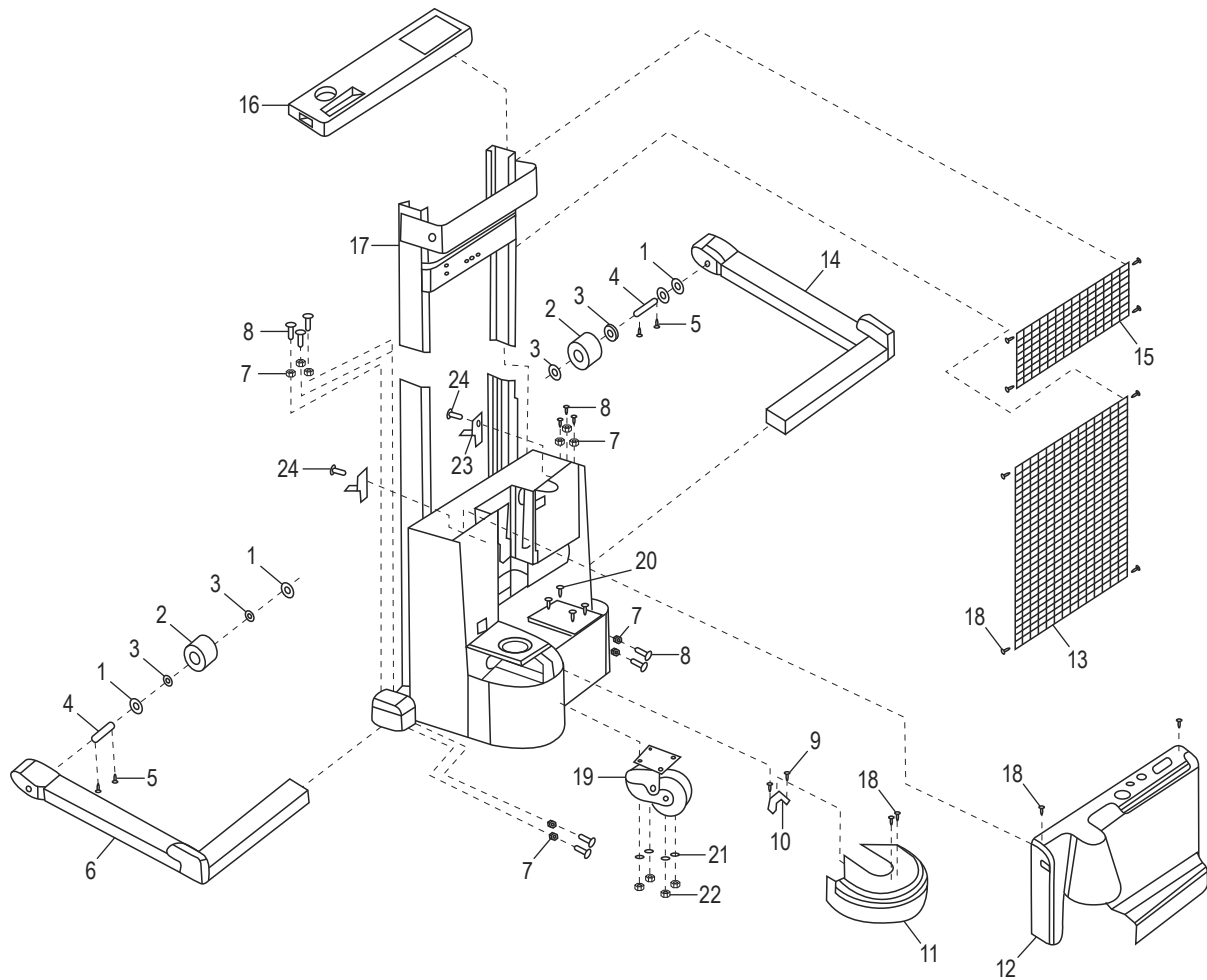
**GERBEUR ENTIÈREMENT
MOTORISÉ**

LISTE DES PIÈCES DU CHÂSSIS DU GERBEUR (H-3936)

| # | DESCRIPTION | QTÉ | RÉF. ULINE | RÉF. DU FABRICANT |
|----|---|-----|--------------|-------------------|
| 1 | Espaceur | 4 | H-3937-SPCR | 312994 |
| 2 | Roue porteuse | 2 | H-3936-WHEEL | 312991 |
| 3 | Palier | 4 | H-3936-BRING | M0901-6204RZ |
| 4 | Essieu de roue porteuse | 2 | H-3936-WHLAX | 313004 |
| 5 | Boulon de M6 x 16 mm | 4 | H-3937-BOLT | M1403-M6-16 |
| 6 | Longeron (gauche) | 1 | ----- | 312971 |
| 7 | Écrou de M16 x 2 mm | 10 | ----- | ----- |
| 8 | Boulon de M16 x 60 mm | 10 | ----- | ----- |
| 9 | Boulon de M6 x 20 mm | 2 | ----- | ----- |
| 10 | Siège | 1 | ----- | 313005 |
| 11 | Enjoliveur de roue motrice | 1 | H-3937DRWLCV | 312977 |
| 12 | Couvercle arrière | 1 | H-3936-RCVR | 312981 |
| 13 | Couvre-chaîne | 1 | H-3936-COVER | 312978 |
| 14 | Longeron (droit) | 1 | ----- | 312976 |
| 15 | Couvre-extrémité de M1-1,75-25 | 2 | ----- | ----- |
| 16 | Boulon | 4 | ----- | 313171 |
| 17 | Cache | 1 | ----- | 310304 |
| 18 | Ensemble du châssis du gerbeur | 1 | ----- | ----- |
| 19 | Vis | 2 | H-3936-SCRWQ | M1410-M6 16 |
| 20 | Ensemble de roulette pivotante | 1 | H-3936-SWVL | 312984 |
| 21 | Boulon de M12-1,75-40 | 4 | ----- | ----- |
| 22 | Rondelle de M12 | 4 | ----- | ----- |
| 23 | Écrou de M12 x 1,75 mm | 4 | ----- | ----- |
| | Commutateur de proximité (non illustré) | 1 | H-8161 | R05354 |

GERBEUR ENTièrement MOTORISÉ

CHÂSSIS DU GERBEUR (H-3937)





H-3936, H-3937
H-8163

GERBEUR ENTièrement MOTORISÉ

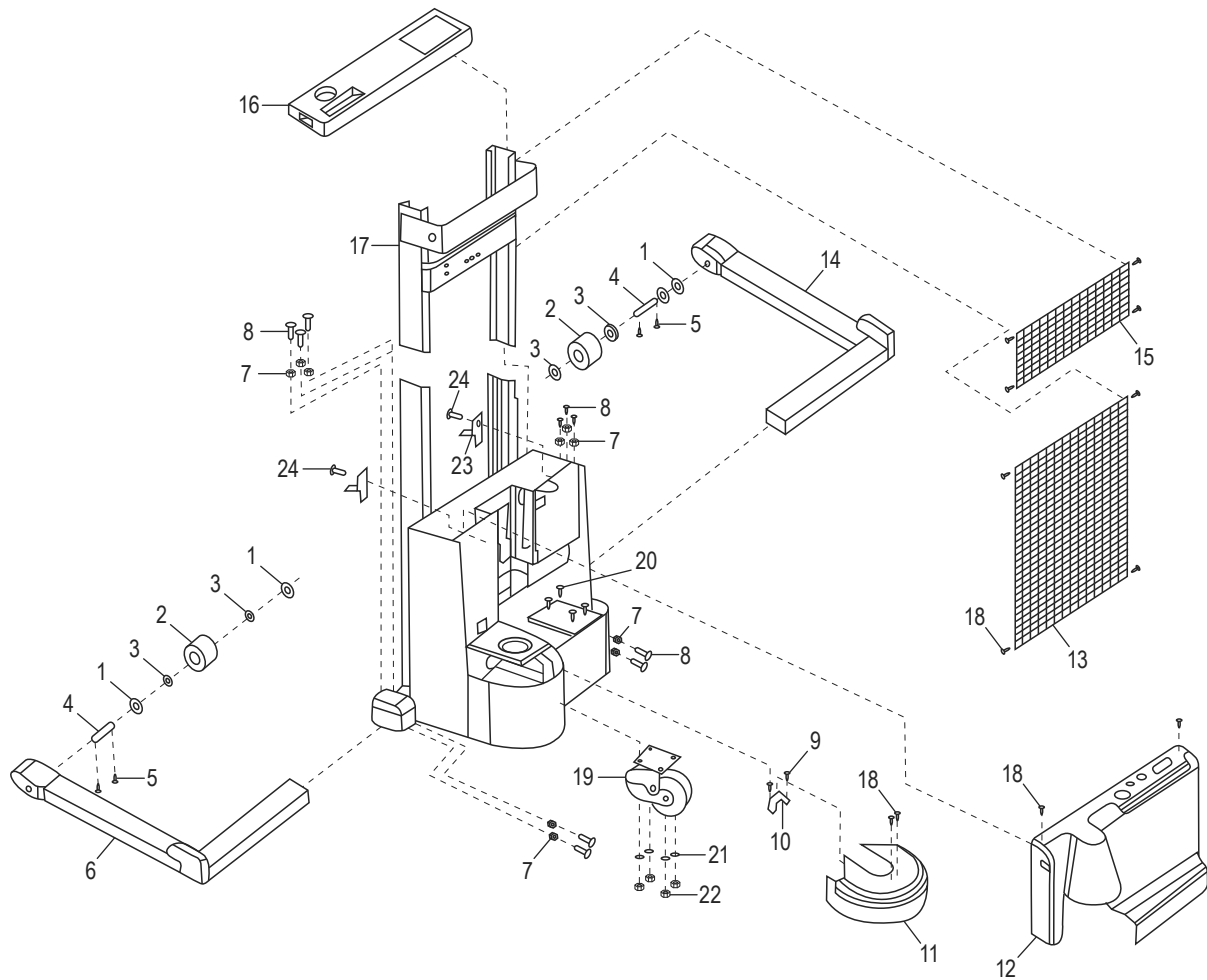
1 800 295-5510
uline.ca

LISTE DES PIÈCES DU CHÂSSIS DU GERBEUR (H-3937)

| # | DESCRIPTION | QTÉ | RÉF. ULINE | RÉF. DU FABRICANT |
|----|--------------------------------|-----|--------------|-------------------|
| 1 | Espaceur | 4 | H-3937-SPCR | 312994 |
| 2 | Roue porteuse | 2 | H-3936-WHEEL | 312991 |
| 3 | Palier | 4 | H-3936-BRING | M0901-6204RZ |
| 4 | Essieu | 2 | H-3937-WHLAX | 313004 |
| 5 | Boulon de M6 x 16 mm | 4 | H-3937-BOLT | M1403-M6-16 |
| 6 | Longeron (gauche) | 1 | ----- | 312971 |
| 7 | Écrou de M16 x 2 mm | 10 | ----- | ----- |
| 8 | Boulon de M16 x 60 mm | 10 | ----- | ----- |
| 9 | Boulon de M16 x 20 mm | 2 | ----- | ----- |
| 10 | Siège de fixation | 1 | ----- | 313005 |
| 11 | Enjoliveur de roue motrice | 1 | H-3937DRWLCV | 312977 |
| 12 | Couvercle arrière | 1 | H-3936-RCVR | 312981 |
| 13 | Couvre-chaîne pour H-3936 | 1 | H-3936-COVER | 312978 |
| 13 | Couvre-chaîne pour H-3937 | 1 | ----- | 313040B |
| 14 | Longeron (droit) | 1 | ----- | 312976 |
| 15 | Cache | 1 | ----- | 313034 |
| 16 | Couvercle supérieur | 1 | H-3937-TCBB | 313031 |
| 17 | Ensemble du châssis du gerbeur | 1 | ----- | ----- |
| 18 | Boulon de M6 x 16 mm | 14 | ----- | ----- |
| 19 | Ensemble de roulette pivotante | 1 | H-3936-SWVL | 312984 |
| 20 | Boulon de M12 x 40 mm | 4 | ----- | ----- |
| 21 | Rondelle à ressort de M12 | 4 | ----- | ----- |
| 22 | Écrou de M12 | 4 | ----- | ----- |
| 23 | Support de batterie | 4 | ----- | 313171 |
| 24 | Boulon de M12 x 25 mm | 4 | ----- | ----- |

**GERBEUR ENTièrement
MOTORISÉ**

CHÂSSIS DU GERBEUR (H-8163)





H-3936, H-3937
H-8163

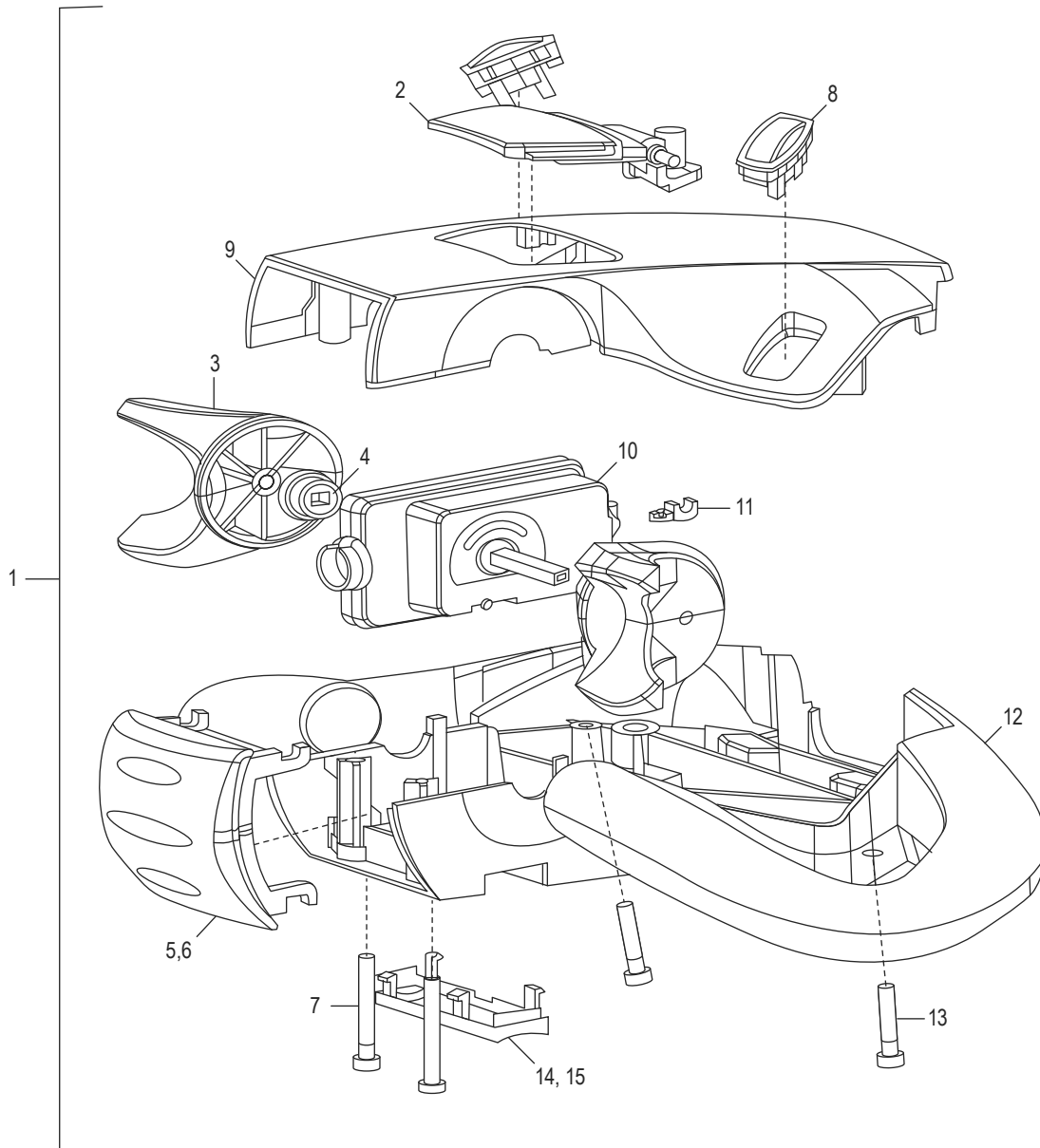
GERBEUR ENTièrement MOTORISÉ

1 800 295-5510
uline.ca

LISTE DES PIÈCES DU CHÂSSIS DU GERBEUR (H-8163)

| # | DESCRIPTION | QTÉ | RÉF. ULINE | RÉF. DU FABRICANT |
|----|--------------------------------|-----|--------------|-------------------|
| 1 | Espaceur | 4 | H-3937-SPCR | 312994 |
| 2 | Roue porteuse | 2 | H-3936-WHEEL | 312991 |
| 3 | Palier | 4 | H-3936-BRING | M0901-6204RZ |
| 4 | Essieu | 2 | H-3937-WHLAX | 313004 |
| 5 | Boulon de M6-M16-2 | 4 | H-3937-BOLT | M1403-M6-16 |
| 6 | Longeron (gauche) | 1 | ----- | 312971 |
| 7 | Écrou de M16 x 2 mm | 10 | ----- | ----- |
| 8 | Boulon de M16 x 60 mm | 10 | ----- | ----- |
| 9 | Boulon de M16 x 20 mm | 2 | ----- | ----- |
| 10 | Siège de fixation | 1 | ----- | ----- |
| 11 | Enjoliveur de roue motrice | 1 | H-3937DRWLCV | 312977 |
| 12 | Couvercle arrière | 1 | H-3936-RCVR | 312981 |
| 13 | Couvre-chaîne | 1 | ----- | ----- |
| 14 | Longeron (droit) | 1 | ----- | ----- |
| 15 | Cache | 1 | ----- | ----- |
| 16 | Couvercle supérieur | 1 | ----- | ----- |
| 17 | Ensemble du châssis du gerbeur | 1 | ----- | ----- |
| 18 | Boulon | 14 | ----- | ----- |
| 19 | Ensemble de roulette pivotante | 1 | H-3936-SWVL | 312984 |
| 20 | Boulon | 4 | ----- | ----- |
| 21 | Rondelle de ressort | 4 | ----- | ----- |
| 22 | Écrou | 4 | ----- | ----- |
| 23 | Support de batterie | 4 | ----- | ----- |
| 24 | Boulon | 4 | ----- | ----- |

BOÎTIER DE COMMANDE





H-3936, H-3937
H-8163

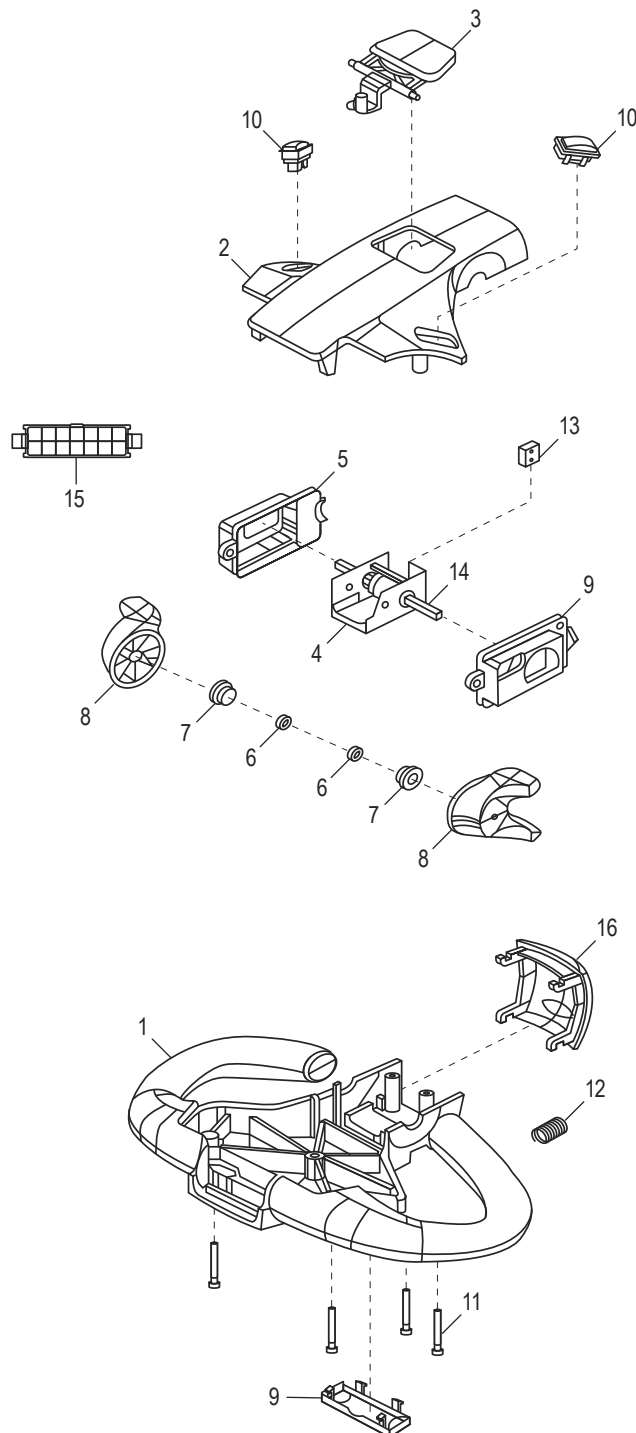
GERBEUR ENTIÈREMENT MOTORISÉ

1 800 295-5510
uline.ca

LISTE DES PIÈCES DU BOÎTIER DE COMMANDE (CODE DATÉ DE 9/2018 à 4/2019)

| # | DESCRIPTION | QTÉ | RÉF. ULINE | RÉF. DU FABRICANT |
|----|---|-----|--------------|-------------------|
| 1 | Boîtier de commande, type 3 | 1 | H-3936-CP3 | E4001156 |
| 1 | Boîtier de commande, type 2 | 1 | H-3937-CP2 | E4001187 |
| 2 | Bouton d'avertisseur | 1 | ----- | E4001156P01 |
| 3 | Molette | 2 | ----- | E4001156P02 |
| 4 | Palier | 2 | ----- | E4001156P03 |
| 5 | Bouton d'arrêt de sécurité | 1 | ----- | E4001156P04 |
| 6 | Ressort | 1 | ----- | E4001156P05 |
| 7 | Vis à six pans creux | 2 | ----- | E4001156P06 |
| 8 | Groupe d'interrupteur de levage | 2 | H-3936-LSC45 | 312928 |
| 8 | Interrupteur de levage (bouton à bascule uniquement) | 2 | H-3936-LSRBO | E4001156P07 |
| 9 | Couvercle supérieur | 1 | ----- | E4001156P08 |
| 10 | Accélérateur | 1 | H-3936-AA | E4001156P09 |
| 11 | Anneau élastique | 2 | ----- | E4001156P10 |
| 12 | Base | 1 | ----- | E4001156P11 |
| 13 | Vis à six pans creux | 2 | ----- | E4001156P12 |
| 14 | Bouton | 1 | ----- | E4001156P13 |
| 15 | Ressort | 2 | ----- | E4001156P14 |

BOÎTIER DE COMMANDE (CODE DATÉ APRÈS 04/2019)

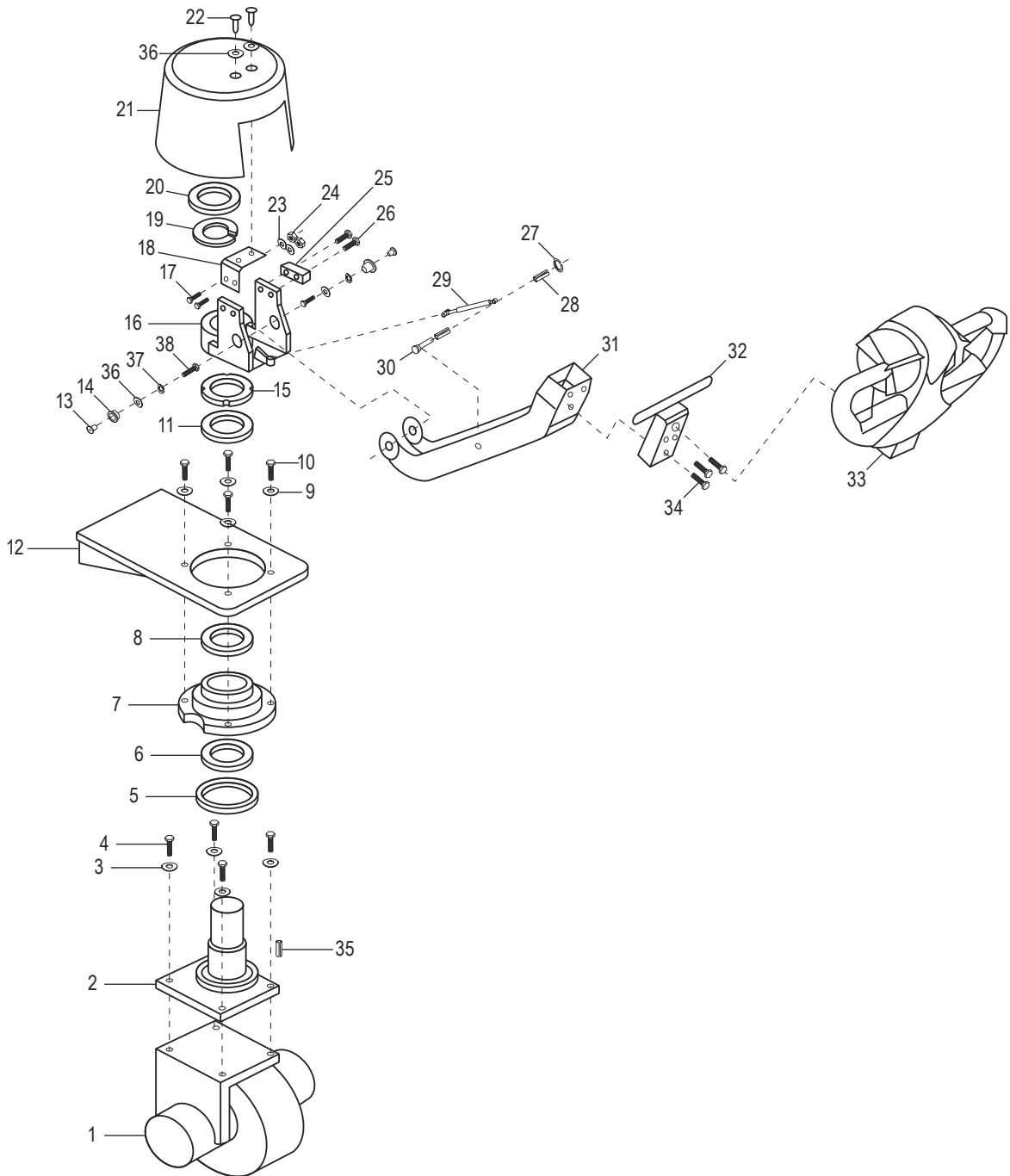


LISTE DES PIÈCES DU BOÎTIER DE COMMANDE (CODE DATÉ APRÈS 04/2019)

| # | DESCRIPTION | QTÉ | RÉF. ULINE | RÉF. DU FABRICANT |
|----|--|-----|------------|---|
| 1 | Ensemble de la poignée | 1 | ----- | ----- |
| 2 | Couvercle supérieur | 2 | ----- | TL3012193 |
| 3 | Ensemble de l'avertisseur | 1 | ----- | TL3012194 |
| 4a | Interrupteur d'accélération daté jusqu'à mars 2020 | 1 | H-3936-AA | E4001156P09 |
| 4b | Interrupteur d'accélération daté à partir d'avril 2020 | 1 | ----- | TL3017310 |
| 5 | Couvre-interrupteur | 1 | ----- | TL3012196 |
| 6 | Palier intérieur | 2 | ----- | ----- |
| 7 | Palier extérieur | 2 | ----- | ----- |
| 8 | Molette | 2 | ----- | TL3012201 |
| 9 | Couvre-interrupteur | 1 | ----- | TL3012202 |
| 10 | Interrupteur de levage/d'abaissement | 2 | ----- | TL3012203 |
| 11 | Boulon | 4 | ----- | TL3012204 |
| 12 | Ressort (bouton d'urgence) | 1 | ----- | Requiert le numéro de série de l'appareil |
| 13 | Ensemble de microrupteur avec accélération | 1 | ----- | TLB356951 |
| 14 | Arbre | 1 | ----- | ----- |
| 15 | Emboîture | 6 | ----- | ----- |
| 16 | Bouton d'urgence | 1 | ----- | E4001156P04 |

GERBEUR ENTièrement MOTORISÉ

ENSEMBLE DU SYSTÈME DE DIRECTION

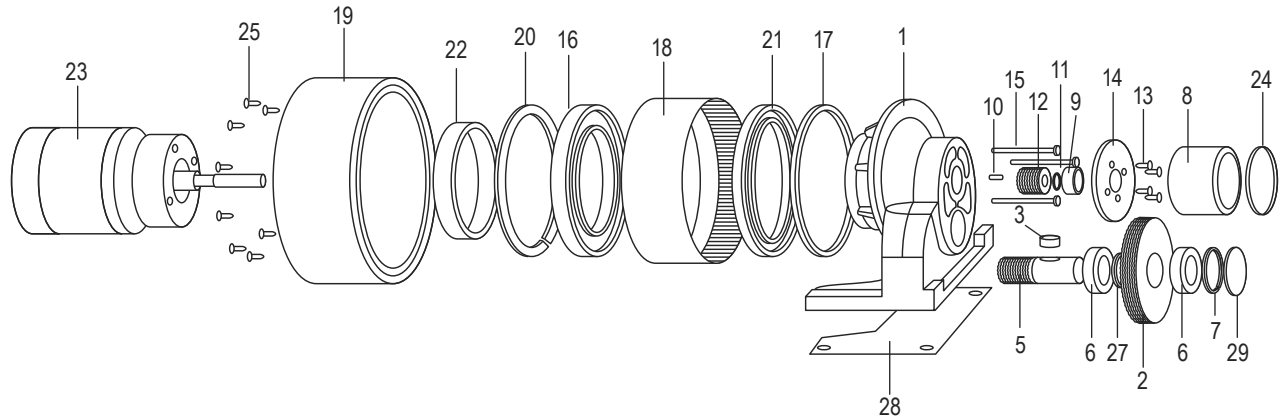


LISTE DES PIÈCES DE L'ENSEMBLE DU SYSTÈME DE DIRECTION (CODE DATÉ JUSQU'À 3/2021)

| # | DESCRIPTION | QTÉ | RÉF. ULINE | RÉF. DU FABRICANT |
|----|-----------------------------------|-----|--------------|-------------------|
| 1 | Ensemble de roue motrice | 1 | ----- | E2102024 |
| 2 | Ensemble de la tige | 1 | ----- | 312982 A |
| 3 | Rondelle à ressort de M10 | 4 | ----- | ----- |
| 4 | Boulon de M10 x 35 mm | 4 | ----- | ----- |
| 5 | Joint | 1 | H-3936-1057 | 10/M0703-80105/7 |
| 6 | Palier | 1 | ----- | M0903-32013 |
| 7 | Siège de la tige | 1 | ----- | 312989 A |
| 8 | Palier | 1 | H-3936-61812 | M0901-61812RZ |
| 9 | Rondelle à ressort de M10 x 35 mm | 4 | ----- | ----- |
| 10 | Boulon de M10 | 4 | ----- | ----- |
| 11 | Rondelle | 1 | ----- | 312996 |
| 12 | Plaque de fixation | 1 | ----- | ----- |
| 13 | Boulon | 2 | H-3937BOLT | 312992 |
| 14 | Col de la tige | 2 | H-3937SPINDL | 312985 |
| 15 | Écrou de blocage | 1 | ----- | 312997 |
| 16 | Raccord de siège | 1 | ----- | 312990 |
| 17 | Boulon de M6 x 25 mm | 2 | ----- | ----- |
| 18 | Ancrage du couvre-tige | 1 | ----- | 313006 |
| 19 | Rondelle de blocage | 1 | ----- | ----- |
| 20 | Écrou | 1 | ----- | 312999 |
| 21 | Couvre-tige | 1 | H-5253 | 312980 |
| 22 | Vis de M6 x 16 mm | 2 | ----- | ----- |
| 23 | Rondelle à ressort de M6 | 2 | ----- | ----- |
| 24 | Écrou de M6 | 2 | ----- | ----- |
| 25 | Commutateur de proximité | 1 | H-3936-PROX | R04994 |
| 26 | Boulon de M4 x 30 mm | 2 | ----- | ----- |
| 27 | Anneau élastique de S8 | 1 | ----- | ----- |
| 28 | Col de la tige | 2 | H-3936-SP128 | 312988 |
| 29 | Ressort pneumatique | 1 | H-3937-SPRNG | R00911 |
| 30 | Arbre de fixation | 1 | H-3936-FIX30 | 312987 A |
| 31 | Levier de direction | 1 | ----- | 313180 A |
| 32 | Poignée d'ancrage | 1 | ----- | 313183 |
| 33 | Boîtier de commande | 1 | ----- | E401141 |
| 34 | Boulon de M8 x 20 mm | 3 | ----- | ----- |
| 35 | Clé plate | 1 | ----- | ----- |
| 36 | Rondelle de M6 | 2 | ----- | ----- |
| 37 | Rondelle à ressort de M8 | 2 | ----- | ----- |
| 38 | Boulon de M8 x 16 mm | 2 | ----- | ----- |

GERBEUR ENTIÈREMENT MOTORISÉ

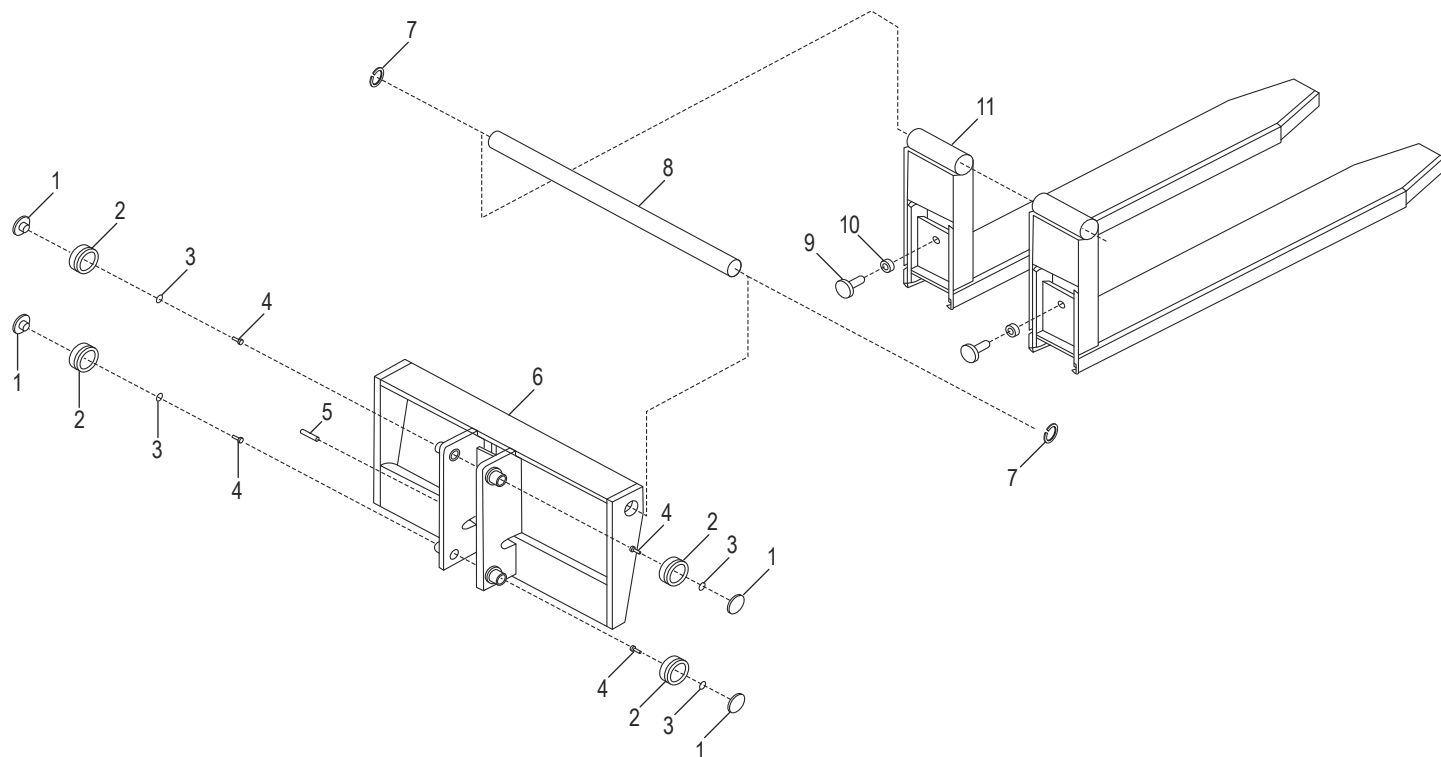
ENSEMBLE DE ROUE MOTRICE



| # | DESCRIPTION | QTÉ | RÉF. ULINE | RÉF. DU FABRICANT |
|----|-----------------------|-----|--------------|-------------------|
| 1 | Boîtier | 1 | ----- | ----- |
| 2 | Grand engrenage | 1 | ----- | ----- |
| 3 | Clé | 1 | ----- | E2102024P03 |
| 5 | Engrenage pour arbre | 1 | ----- | ----- |
| 6 | Palier | 2 | ----- | E2102024PO6 |
| 7 | Joint brise-jet | 1 | ----- | E2102024P07 |
| 8 | Frein électrique | 1 | H-3936-BRAKE | E2102024P08 |
| 9 | Palier | 1 | ----- | E2102024P09 |
| 10 | Clé | 2 | ----- | E2102024P10 |
| 11 | Joint brise-jet | 1 | ----- | E2102024P11 |
| 12 | Petit engrenage | 1 | ----- | E2102024P12 |
| 13 | Vis | 4 | ----- | ----- |
| 14 | Bride | 1 | ----- | ----- |
| 15 | Vis | 3 | ----- | ----- |
| 16 | Palier | 1 | ----- | E2102024P16 |
| 17 | Joint | 1 | ----- | E2102024P17 |
| 18 | Engrenage pour anneau | 1 | ----- | E2102024P18 |
| 19 | Roue | 1 | H-3936-PDW | E2102024P19 |
| 20 | Joint brise-jet | 1 | ----- | E2102024P20 |
| 21 | Joint | 1 | ----- | E2102024P21 |
| 22 | Anneau | 1 | ----- | E2102024P22 |
| 23 | Moteur de traction | 1 | H-3937-TRACQ | E2102024P023 |
| 24 | Anneau antipoussière | 1 | ----- | E2102024P24 |
| 25 | Vis | 10 | ----- | E2102024P25 |
| 27 | Espaceur | 1 | ----- | ----- |
| 28 | Panneau | 1 | ----- | ----- |
| 29 | Bouchon antipoussière | 1 | ----- | ----- |

**GERBEUR ENTièrement
MOTORISÉ**

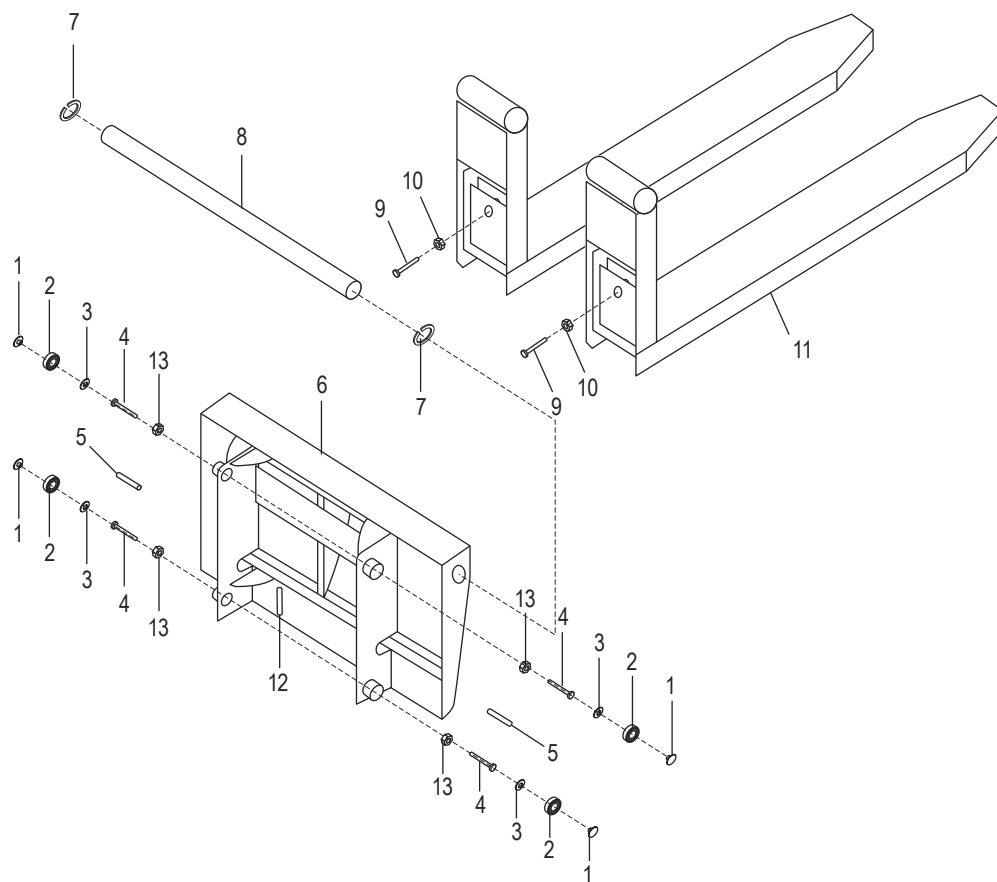
ENSEMBLE DE LA CARROSSERIE (H-3936)



| # | DESCRIPTION | QTÉ | RÉF. ULINE | RÉF. DU FABRICANT |
|----|----------------------------|-----|-------------|-------------------|
| 1 | Bloc | 4 | ----- | 3002861 |
| 2 | Rouleau | 4 | H-3936-RLLR | M1324011 |
| 3 | Rondelle | 4 | ----- | 3002820 |
| 4 | Perno de M6 x 20 mm | 4 | ----- | ----- |
| 5 | Pasador Fijo, Cadena | 1 | ----- | 313002 |
| 6 | Ensamble del Portador | 1 | ----- | ----- |
| 7 | Anillo de Retención de S40 | 2 | ----- | ----- |
| 8 | Eje de Alimentación | 1 | ----- | 313001 |
| 9 | Perno | 2 | ----- | 313003 |
| 10 | Tuerca de M16 | 2 | ----- | ----- |
| 11 | Horquilla Soldada | 2 | ----- | 313983 |

**GERBEUR ENTièrement
MOTORISÉ**

ENSEMBLE DE LA CARROSSERIE (H-3937)

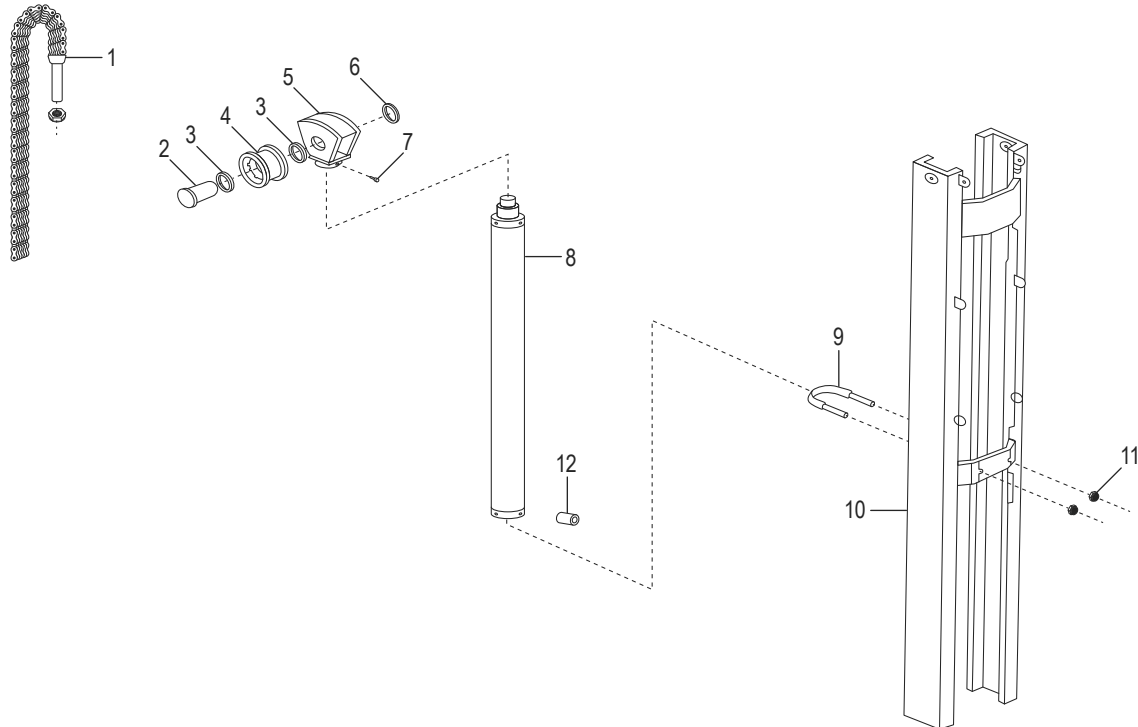


| # | DESCRIPTION | QTÉ | RÉF. ULINE | RÉF. DU FABRICANT |
|----|--------------------------------|-----|-------------|-------------------|
| 1 | Bloc | 4 | ----- | 3002861 |
| 2 | Rouleau | 4 | H-3936-RLLR | M1324011 |
| 3 | Rondelle | 4 | ----- | 3002820 |
| 4 | Boulon de M6 x 25 mm | 4 | ----- | ----- |
| 5 | Axe fixe, chaîne de M8 x 50 mm | 1 | ----- | ----- |
| 6 | Ensemble du support de charge | 1 | ----- | ----- |
| 7 | Anneau élastique de S40 | 2 | ----- | ----- |
| 8 | Arbre de chariotage | 1 | ----- | ----- |
| 9 | Boulon | 2 | ----- | 313003 |
| 10 | Écrou de M16 | 2 | ----- | ----- |
| 11 | Fourche soudée | 2 | ----- | 312983 |
| 12 | Goupille fendue | 2 | ----- | ----- |
| 13 | Écrou de M8 | 4 | ----- | ----- |

ULINE H-3936, H-3937
H-8163
**GERBEUR ENTIÈREMENT
MOTORISÉ**

1 800 295-5510
uline.ca

ENSEMBLE DU MÂT (H-3936, H-8163)

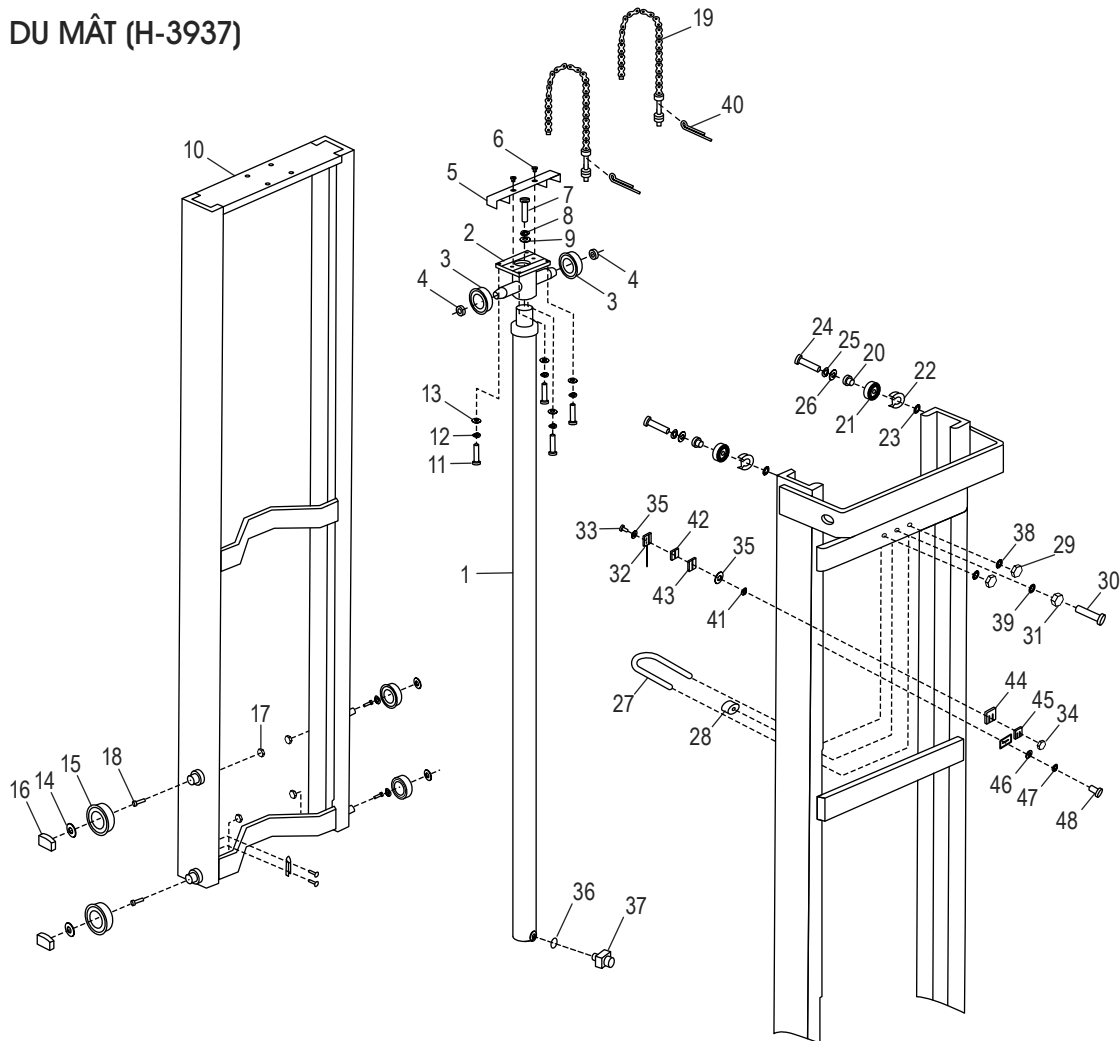


| # | DESCRIPTION | QTÉ | RÉF. ULINE | RÉF. DU FABRICANT |
|----|--------------------------|-----|------------|-------------------|
| 1 | Ensemble de la chaîne | 1 | ----- | B383444 |
| 2 | Axe d'articulation | 1 | ----- | 313000B |
| 3 | Espaceur | 2 | ----- | 312974 |
| 4 | Roue à chaîne | 1 | ----- | 32922 |
| 5 | Support de roue à chaîne | 1 | ----- | 312972 A |
| 6 | Anneau élastique de S40 | 1 | ----- | ----- |
| 7 | Boulon de M6 x 16 mm | 1 | ----- | ----- |
| 8 | Vérin de levage | 1 | ----- | 312970 |
| 9 | Boulon en U | 1 | ----- | 312995 A |
| 10 | Ensemble du mât | 1 | ----- | Non disponible |
| 11 | Contre-écrou de M10 | 2 | ----- | ----- |
| 12 | Soupape de commande | 1 | ----- | 3003423 |

ULINE H-3936, H-3937
H-8163
**GERBEUR ENTièrement
MOTORISÉ**

1 800 295-5510
uline.ca

ENSEMBLE DU MÂT (H-3937)



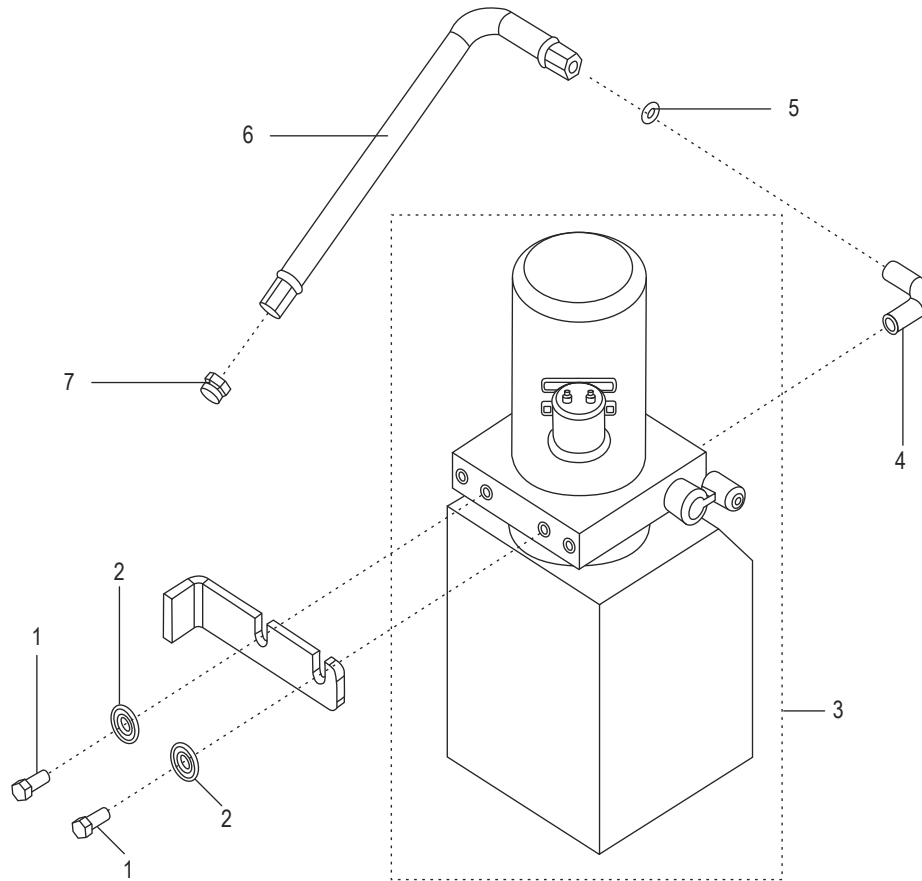
| # | DESCRIPTION | QTÉ | RÉF. ULINE | RÉF. DU FABRICANT |
|----|---------------------------------------|-----|---------------|-------------------|
| 1 | Vérin de levage pour H-3937 | 1 | H-3937-CYLNLR | B383419 |
| 1 | Vérin de levage pour H-8163 | 1 | H-8163-CYL | B383418 |
| 2 | Support de roue à chaîne | 1 | H-8163-20Q | 3002887 A |
| 3 | Roue à chaîne | 2 | H-8163-19Q | 3003012 |
| 4 | Anneau élastique de S30 | 2 | ----- | ----- |
| 5 | Pièce de fixation, roue à chaîne | 1 | H-8163-14Q | 3002881 |
| 6 | Goupille à ressort | 2 | H-8163-13Q | M1305-6* 12 po |
| 7 | Boulon de M12 x 90 mm | 1 | ----- | ----- |
| 8 | Rondelle à ressort de M12 | 1 | ----- | ----- |
| 9 | Rondelle de M12 | 1 | ----- | ----- |
| 10 | Ensemble du mât intérieur pour H-3937 | 1 | ----- | ----- |
| 10 | Ensemble du mât intérieur pour H-8163 | 1 | ----- | ----- |

LISTE DES PIÈCES DE L'ENSEMBLE DU MÂT (H-3937) SUITE

| # | DESCRIPTION | QTÉ | RÉF. ULINE | RÉF. DU FABRICANT |
|----|---------------------------------|-----|--------------|-------------------|
| 11 | Boulon de M10 x 35 mm | 4 | ----- | ----- |
| 12 | Rondelle à ressort de M10 | 4 | ----- | ----- |
| 13 | Rondelle | 4 | ----- | ----- |
| 14 | Rondelle de M10 x 2 mm | 4 | ----- | 3002820 |
| 15 | Palier de roulement | 4 | H-3936-RLLR | M1324011 |
| 16 | Bloc | 4 | ----- | 3002861 |
| 17 | Écrou de M6 x 1.0 mm | 4 | ----- | ----- |
| 18 | Boulon de M6 x 25 mm | 4 | ----- | ----- |
| 19 | Ensemble de chaîne pour H-3937 | 2 | ----- | B383422 |
| 19 | Ensemble de chaîne pour H-8163 | 2 | ----- | ----- |
| 20 | Tige | 1 | H-8163-20Q | 3002887 A |
| 21 | Palier | 2 | H-3936-BRING | M0901-6204RZ |
| 22 | Capuchon antipoussière | 2 | ----- | 3002873 A |
| 23 | Espaceur | 2 | ----- | 3002877 |
| 24 | Boulon de M8 x 2 mm | 2 | ----- | ----- |
| 25 | Rondelle à ressort de M8 x 2 mm | 2 | ----- | ----- |
| 26 | Rondelle de M8 x 2 mm | 2 | ----- | ----- |
| 27 | Boulon en U | 1 | ----- | ----- |
| 28 | Entretoise en caoutchouc | 1 | ----- | ----- |
| 29 | Écrou de M8 x 13 mm | 4 | ----- | ----- |
| 30 | Boulon | 2 | ----- | ----- |
| 31 | Écrou de M-12-0 | 1 | ----- | ----- |
| 32 | Commutateur de proximité | 2 | ----- | ----- |
| 33 | Boulon de M3-25-23 | 2 | ----- | ----- |
| 34 | Écrou de M3 x 2 mm | 2 | ----- | ----- |
| 35 | Rondelle M3 x 2 mm | 4 | ----- | ----- |
| 36 | Joint torique | 1 | ----- | ----- |
| 37 | Connecteur | 1 | ----- | ----- |
| 38 | Rondelle | 2 | ----- | ----- |
| 39 | Rondelle | 1 | ----- | ----- |
| 40 | Goupille fendue | 2 | ----- | ----- |
| 41 | Rondelle à ressort de M3 | 2 | ----- | ----- |
| 42 | Plaque de verrouillage | 1 | ----- | ----- |
| 43 | Plaque de verrouillage | 1 | ----- | ----- |
| 44 | Plaque de verrouillage | 1 | ----- | ----- |
| 45 | Plaque de verrouillage | 1 | ----- | ----- |
| 46 | Rondelle de M6 x 2 mm | 2 | ----- | ----- |
| 47 | Rondelle à ressort de M6 x 2 mm | 2 | ----- | ----- |
| 48 | Boulon de M6-16-23 | 2 | ----- | ----- |

GERBEUR ENTIÈREMENT MOTORISÉ

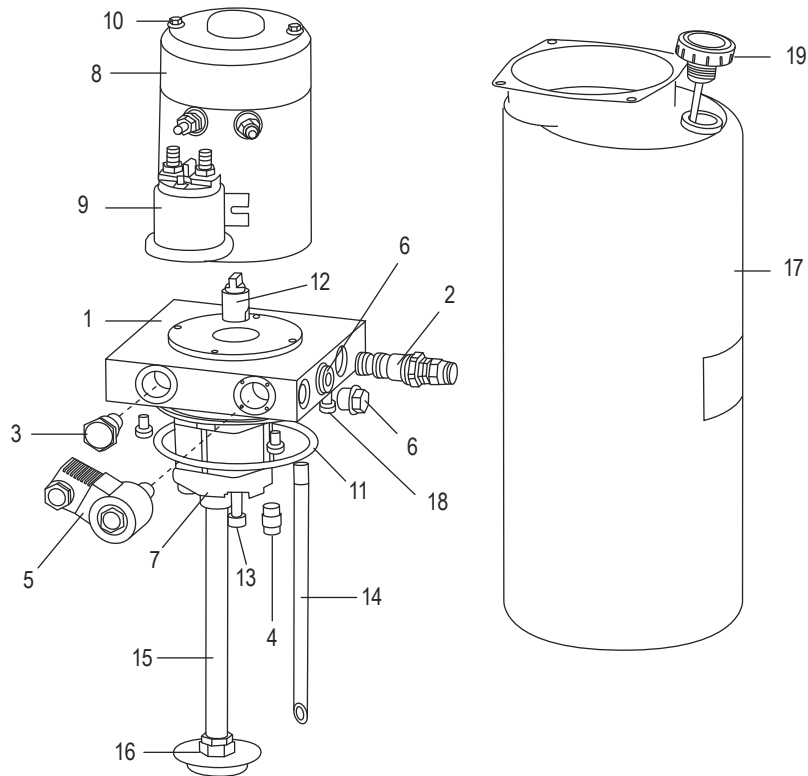
SYSTÈME HYDRAULIQUE



| # | DESCRIPTION | QTÉ | RÉF. ULINE | RÉF. DU FABRICANT |
|---|---------------------------------|-----|------------|-------------------|
| 1 | Vis de M10 x 25 mm | 2 | ----- | ----- |
| 2 | Rondelle de M10 | 2 | ----- | ----- |
| 3 | Ensemble du système hydraulique | 1 | ----- | E2104001 |
| 4 | Adaptateur en L | 1 | ----- | ----- |
| 5 | Joint torique | 1 | ----- | ----- |
| 6 | Tuyau à huile | 1 | ----- | M0502362 |
| 7 | Adaptateur | 1 | ----- | ----- |

GERBEUR ENTièrement MOTORISÉ

BLOC D'ALIMENTATION DU SYSTÈME HYDRAULIQUE



| # | DESCRIPTION | QTÉ | RÉF. ULINE | RÉF. DU FABRICANT |
|----|---|-----|--------------|-------------------|
| 1 | Bloc de soupape | 1 | ----- | ----- |
| 2 | Soupape de décharge | 1 | ----- | E2104001-02 |
| 3 | Soupape unilatérale | 1 | ----- | ----- |
| 4 | Soupape d'accélération | 1 | ----- | E2104001-04 |
| 5 | Soupape de descente | 1 | H-3936-DV | E2104001P05 |
| 6 | Bouchon à vis en métal | 1 | ----- | ----- |
| 6 | Bouchon à vis en plastique | 1 | ----- | ----- |
| 7 | Pompe à engrenages | 1 | ----- | ----- |
| 8 | Moteur | 1 | ----- | ----- |
| 9 | Interrupteur de mise en marche | 1 | H-3937-RAISE | E2104001-10 |
| 10 | Boulon, rondelle de ressort | 2 | ----- | ----- |
| 11 | Joint torique | 1 | ----- | ----- |
| 12 | Couplage | 1 | ----- | ----- |
| 13 | Boulon, rondelle de ressort de M8 x 80 mm | 4 | ----- | ----- |
| 14 | Tuyau à huile, retour | 1 | ----- | ----- |
| 15 | Tuyau à huile, aspiration | 1 | ----- | ----- |
| 16 | Filtre à huile | 1 | ----- | ----- |
| 17 | Réservoir d'huile en plastique | 1 | H-5252 | E2104001-18 |
| 18 | Boulon, rondelle de ressort de M6 x 12 mm | 4 | ----- | ----- |
| 19 | Couvercle du réservoir d'huile | 1 | H-3937-OTCVR | E2104001P20 |