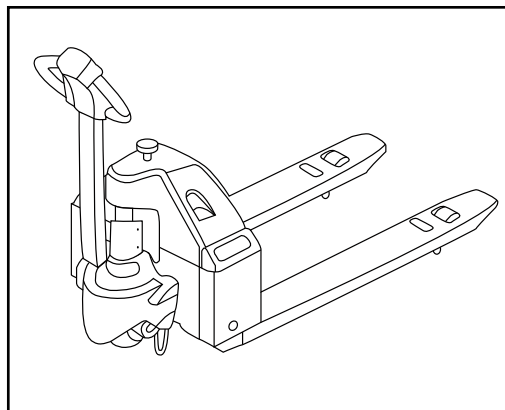
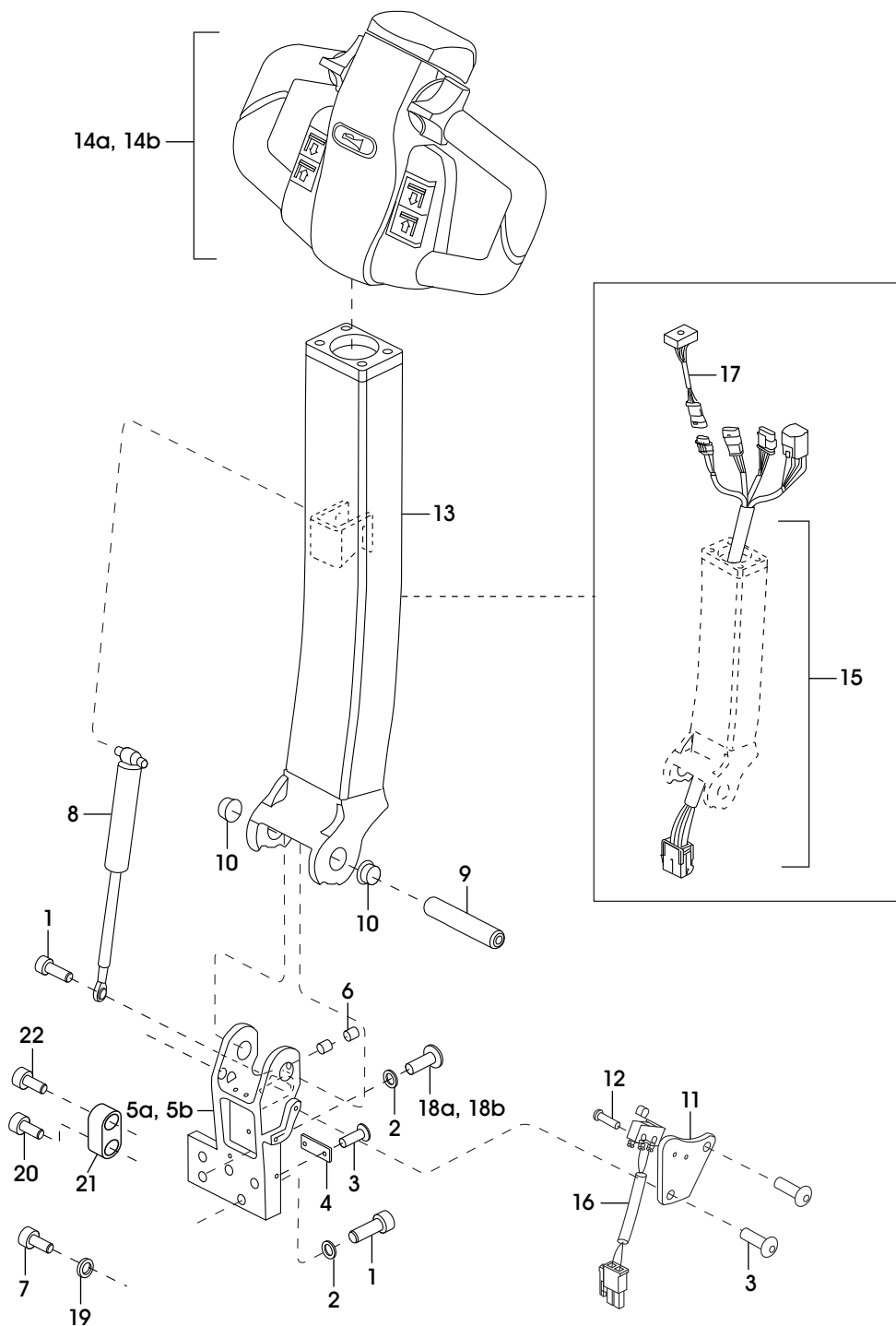


# ULINE H-4709 BIG JOE® ELECTRIC PALLET TRUCK – 3,000 LB

1-800-295-5510  
uline.com



## STEERING ARM



**ULINE** H-4709  
**BIG JOE® ELECTRIC**  
**PALLET TRUCK – 3,000 LB**

1-800-295-5510  
 uline.com

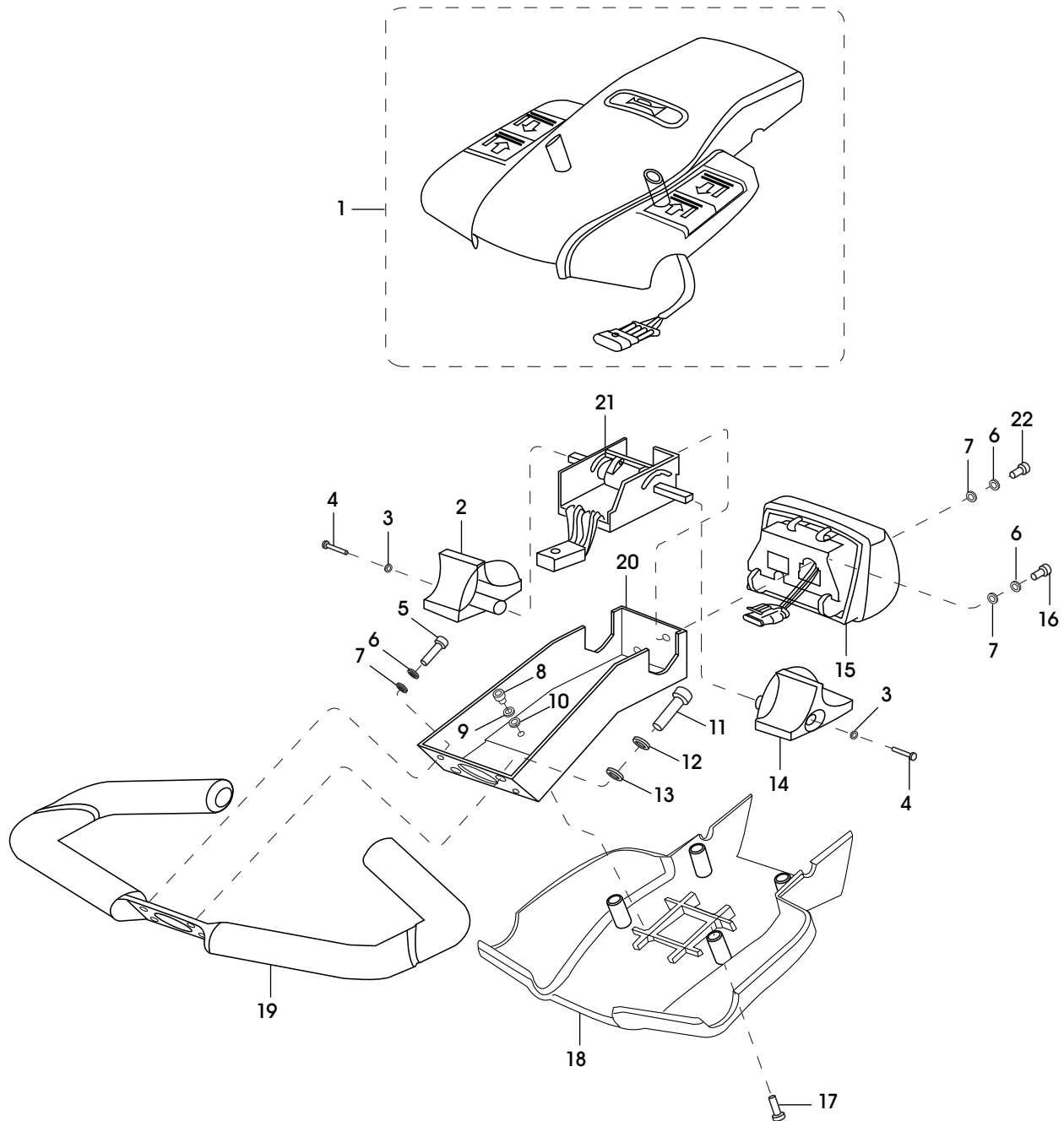
STEERING ARM PARTS LIST

#	DESCRIPTION	QTY.	ULINE PART NO.	MFG. PART NO.
1	Screw	4	<a href="#">H-4709-SC322</a>	0000-000322-00
2	Lock Washer	5	<a href="#">H-4709-LW159</a>	0000-000159-00
3	Screw	4	<a href="#">H-4709-3</a>	0000-000651-00
4	Plate (Used up to Serial # E2319735)	1	-----	1115-500004-00
5a	Bracket (Used up to Serial # E2219053) (Replaces 1115-3000001-00)	1	<a href="#">H-4709-5</a>	1115-300001-0A
5b	Bracket (Used from Serial # E2219054)	1	<a href="#">H-4709-BRCKT</a>	1115-300001-0C
6	Screw, M6 x 6 (Set Screw)	2	<a href="#">H-4709-M6X6</a>	0000-001019-00
7	Screw (Used up to Serial # E2219053)	1	<a href="#">H-4709-7</a>	0000-000030-00
8	Gas Spring	1	<a href="#">H-5020</a>	1120-320000-00
9	Handle Pivot Pin	1	<a href="#">H-4709-9</a>	1115-300002-00
10	Bushing	2	<a href="#">H-4709BUSHNG</a>	0000-000677-00
11	Bracket	1	<a href="#">H-4709-11</a>	1115-500001-00
12	Screw M2 x 12 ST	2	<a href="#">H-4709-M2X12</a>	0000-000989-00
13	Handle Arm Assembly	1	<a href="#">H-4709-HNDL</a>	1115-310000-00
14a	Control Head Assembly (Used up to Serial # 427102394)	1	<a href="#">H-4709CONTRL</a>	1115-320000-00
14b	Control Head Assembly (Used from to Serial # 427102395)	1	<a href="#">H-4709-HEAD</a>	1115-340000-00-70
15	Steering Arm Wiring Harness	1	<a href="#">H-4709WHRNS</a>	1115-520010-00
16	Deadman Switch Assembly with Wiring Harness	1	<a href="#">H-4709SWASMB</a>	1115-520009-0A
17	Potentiometer Wire Harness	1	<a href="#">H-4709WREHRN</a>	1115-520017-00
18a	Screw (Used up to Serial # 426193482)	2	<a href="#">H-4709-SC912</a>	0000-000912-00
18b	Screw (Used up to Serial # E2219053)	2	<a href="#">H-4710-M8X25</a>	0000-000151-00
19	Washer (Used up to Serial # E2219053)	1	<a href="#">H-4709-19</a>	0000-000063-00
20	Screw M8 x 20 (Used from Serial # E2219054)	1	<a href="#">H-4709-SC101</a>	0000-001101-00
21	Proximity Block (Used from Serial # E2219054)	1	<a href="#">H-4709-BLOCK</a>	1115-300003-00
22	Screw (Used from Serial # E2219054)	1	<a href="#">H-4709-SC004</a>	1115-300004-00
	Drive Wiring Harness (Not Shown)	1	<a href="#">H-4709DHRNSS</a>	1115-520002-1F
	Master Wiring Harness (Not Shown)	1	<a href="#">H-4709WIREH</a>	1115-520001-0C

**ULINE H-4709**  
**BIG JOE® ELECTRIC**  
**PALLET TRUCK – 3,000 LB**

1-800-295-5510  
uline.com

**CONTROL HEAD**  
**(UP TO SERIAL # 427102394)**



**ULINE** H-4709  
**BIG JOE® ELECTRIC**  
**PALLET TRUCK – 3,000 LB**

1-800-295-5510  
 uline.com

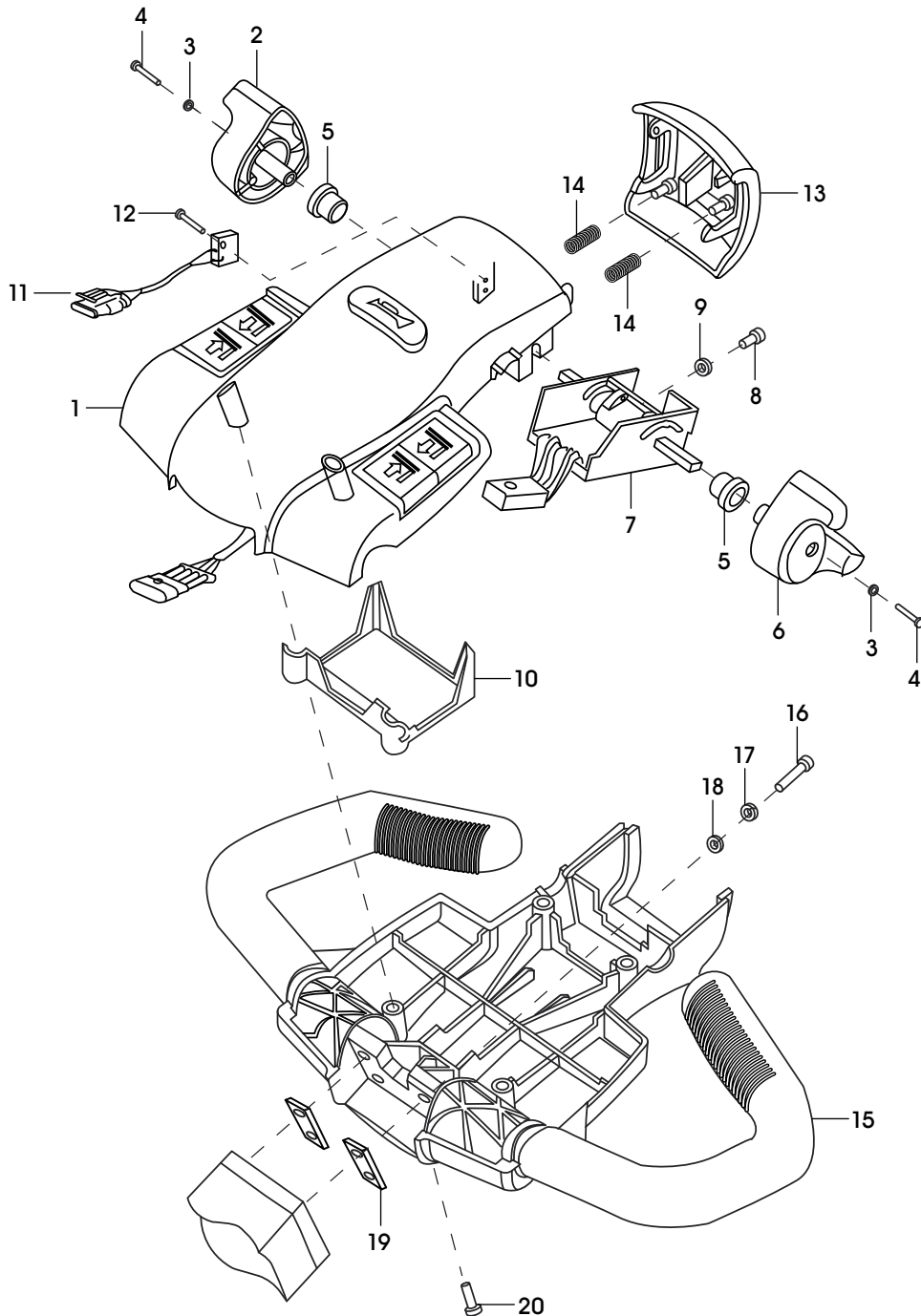
**CONTROL HEAD PARTS LIST**  
**(UP TO SERIAL # 427102394)**

#	DESCRIPTION	QTY.	ULINE PART NO.	MFG. PART NO.
1	Control Head Cover Assembly with Wiring Hardware	1	<a href="#">H-4709-21</a>	1120-342000-00-B
2	Control Knob Right Side	1	<a href="#">H-5030</a>	1120-340005-00
3	Washer	2	<a href="#">H-4709-LW038</a>	0000-000038-00
4	Screw, M3 x 12	2	<a href="#">H-4709-SC037</a>	0000-000037-00
5	Screw	2	<a href="#">H-4709-004</a>	0000-000004-00
6	Washer	4	<a href="#">H-4709-206</a>	0000-000206-00
7	Flat Washer	4	<a href="#">H-4709-390</a>	0000-000390-00
8	Screw	2	<a href="#">H-4710-M4X8</a>	0000-000088-00
9	Lock Washer 04	2	<a href="#">H-7505-WASH4</a>	0000-000122-00
10	Flat Washer 04	2	<a href="#">H-7505-FW4</a>	0000-000702-00
11	Screw	2	<a href="#">H-4709-SC322</a>	0000-000322-00
12	Lock Washer	2	<a href="#">H-4709-LW159</a>	0000-000159-00
13	Washer	2	<a href="#">H-4709-176</a>	0000-000176-00
14	Control Knob Left Side	1	<a href="#">H-5029</a>	1120-34003-00
15	Belly Button Cover Assembly with Wire Harness (Up to Serial # 427102394)	1	<a href="#">H-4778</a>	1115-343000-00-B
15a	Belly Button Cover Assembly with Wire Harness (Used from Serial # 427102395)	1	<a href="#">H-4710-COVER</a>	1115-340003-00
16	Screw	1	<a href="#">H-4709-004</a>	0000-000004-00
17	Screw	4	<a href="#">H-4710-M5X20</a>	0000-000035-00
18	Cover	1	<a href="#">H-4710-HAND</a>	1120-340002-00
19	Handle	1	<a href="#">H-4710-HN341</a>	1120-341000-00
20	Connector Bracket	1	<a href="#">H-4709-CB</a>	1120-340001-00
21	Accelerator (Replaced by 1120-340004-00-01)	1	<a href="#">H-5028</a>	1120-520008-0C
22	Screw	1	<a href="#">H-4710-6MMQ</a>	0000-000010-00

**ULINE** H-4709  
**BIG JOE® ELECTRIC**  
**PALLET TRUCK – 3,000 LB**

1-800-295-5510  
uline.com

**CONTROL HEAD**  
**(FROM SERIAL # 427102395)**



**ULINE** H-4709  
**BIG JOE® ELECTRIC**  
**PALLET TRUCK – 3,000 LB**

1-800-295-5510  
 uline.com

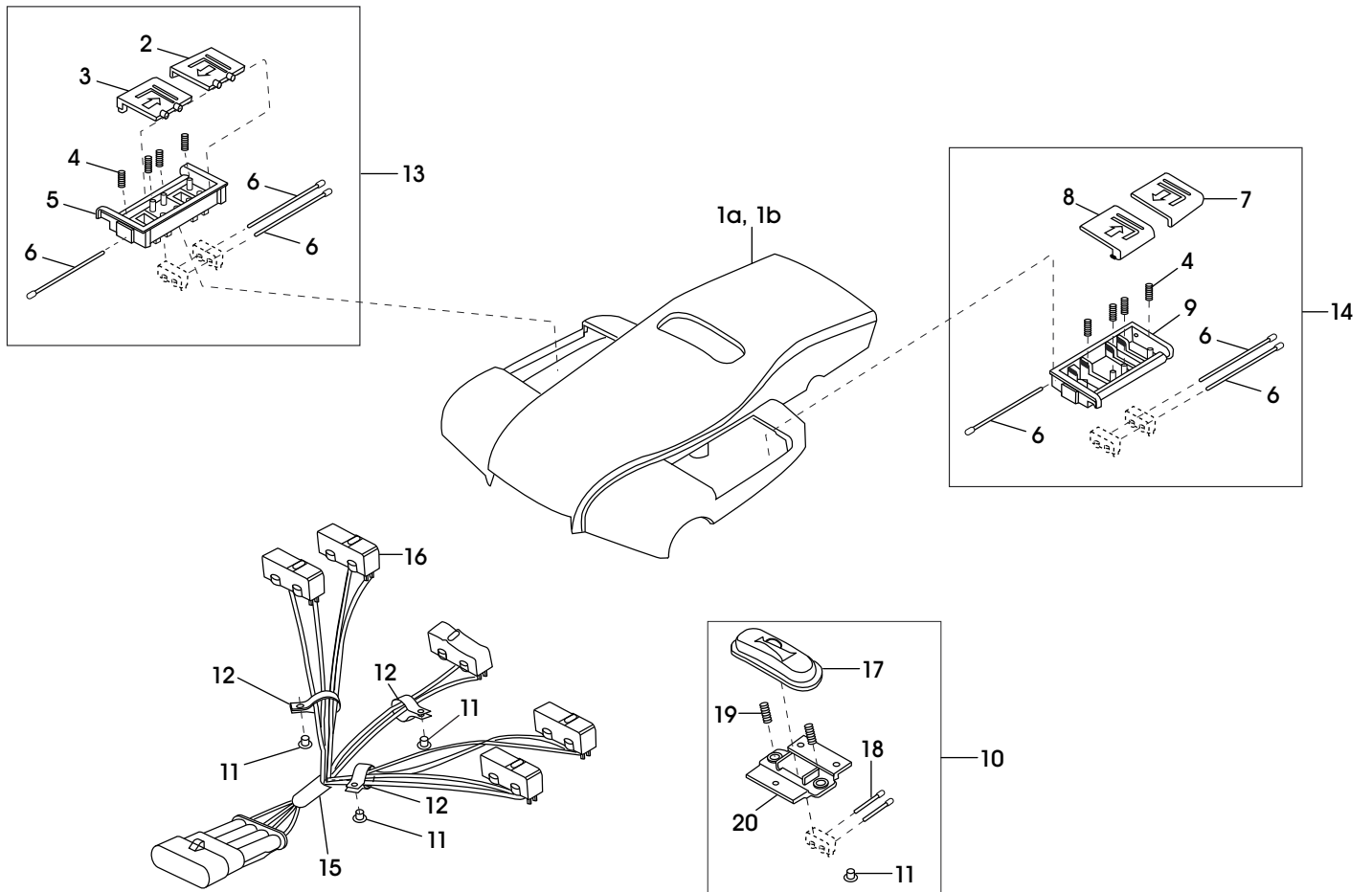
**CONTROL HEAD PARTS LIST**  
**(FROM SERIAL # 427102395)**

#	DESCRIPTION	QTY.	ULINE PART NO.	MFG. PART NO.
1	Cap Assembly with Harness	1	<a href="#">H-4710-CAPAS</a>	1115-341000-00-10
2	Control Knob Right Side	1	<a href="#">H-4710-RCK</a>	1115-340005-00
3	Washer	2	<a href="#">H-4709-LW038</a>	0000-000038-00
4	Screw, M3 x 12	2	<a href="#">H-4709-SC037</a>	0000-000037-00
5	Bushing	2	-----	1115-340006-00
6	Control Knob Left Side	1	<a href="#">H-4710-LCK</a>	1115-340004-00
7	Accelerator Potentiometer	1	<a href="#">H-5028</a>	1220-520008-0C
8	Bolt	1	-----	0000-000323-00
9	Flatwasher	1	<a href="#">H-4709-390</a>	0000-000390-00
10	Wire Harness Cover	1	-----	1115-340007-00
11	Reversing Switch Wire	1	<a href="#">H-4709-0410</a>	1115-52004-10
12	Screw M2 x 12 ST	2	<a href="#">H-4709-M2X12</a>	0000-000989-00
13	Cover, Belly Button	1	<a href="#">H-4710-COVER</a>	1115-340003-00
14	Spring	2	<a href="#">H-4710-0004</a>	1121-310004-00
15	Underside Cover with Grips (no hole)	1	<a href="#">H-4710-HAND</a>	1115-340002-00
16	Screw	4	<a href="#">H-4709-SC322</a>	0000-000322-00
17	Lock Washer	4	<a href="#">H-4709-LW159</a>	0000-000159-00
18	Washer	4	<a href="#">H-4709-176</a>	0000-000176-00
19	Washer	2	<a href="#">H-4709-WCHA</a>	1115-340001-00
20	Screw	4	<a href="#">H-4710-M5X20</a>	0000-000035-00

# ULINE H-4709 BIG JOE® ELECTRIC PALLET TRUCK – 3,000 LB

1-800-295-5510  
uline.com

## CONTROL HEAD COVERS



**ULINE** H-4709  
**BIG JOE® ELECTRIC**  
**PALLET TRUCK – 3,000 LB**

1-800-295-5510  
 uline.com

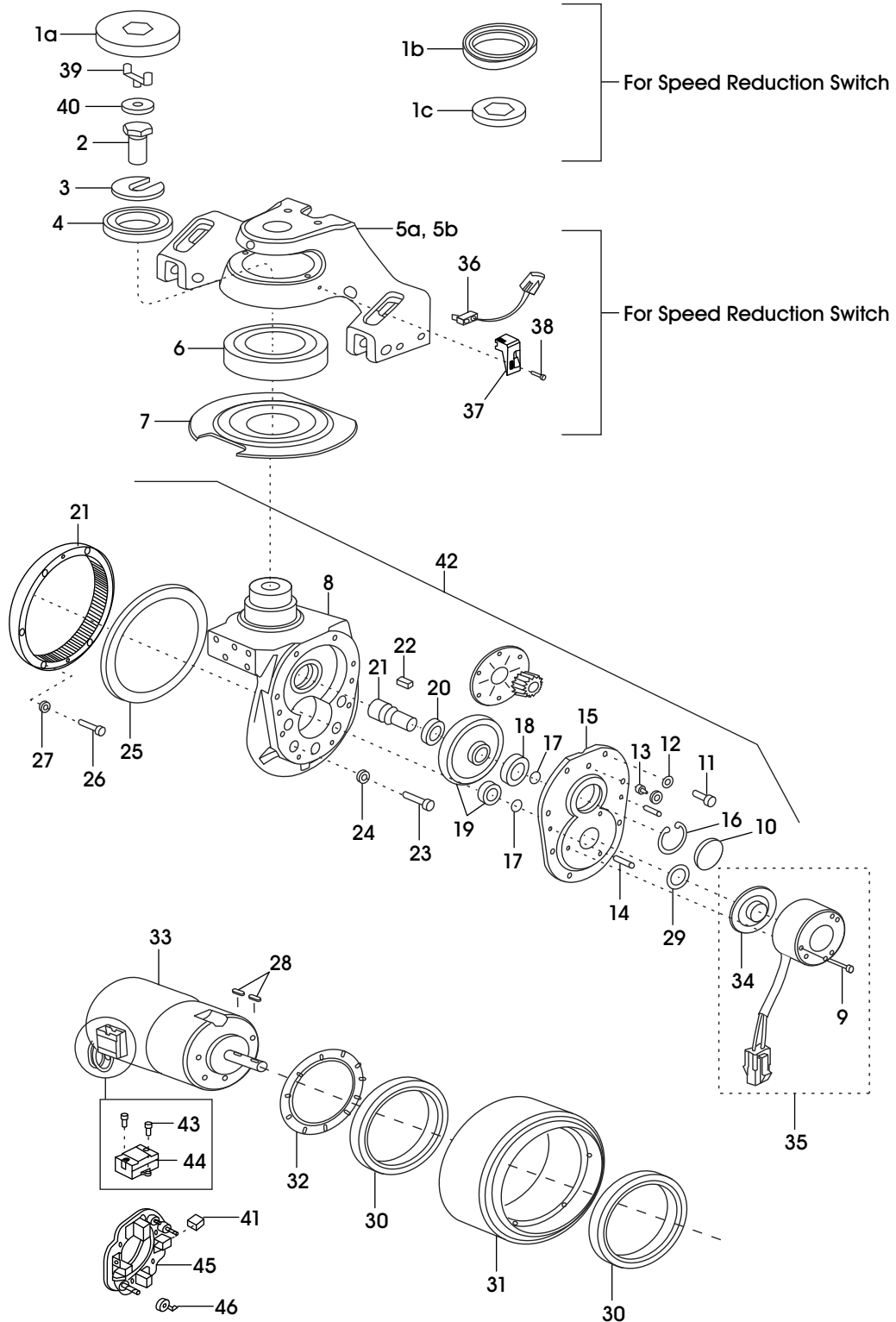
CONTROL HEAD COVERS PARTS LIST

#	DESCRIPTION	QTY.	ULINE PART NO.	MFG. PART NO.
1a	Cover (Used up to Serial #427102394)	1	<a href="#">H-4710-UPC</a>	1120-342001-00
1b	Cover (Used from Serial # 427102395)	1	<a href="#">H-4709-1BQ</a>	1115-341001-00
2	Lift Button (Right Side)	1	<a href="#">H-5023</a>	1120-342203-00
3	Lowering Button (Right Side)	1	<a href="#">H-5024</a>	1120-342202-00
4	Spring	8	<a href="#">H-5025</a>	1120-342102-00
5	Button Bracket (Right Side)	1	-----	1120-342201-00
6	Pin	6	<a href="#">H-4710-CPINQ</a>	1120-342105-00
7	Lift Button (Left Side)	1	<a href="#">H-5026</a>	1120-342104-00
8	Lowering Button (Left Side)	1	<a href="#">H-5027</a>	1120-342103-00
9	Button Bracket (Left Side)	1	-----	1120-342101-00
10	Horn Button Assembly Includes: • Screw #11 (1) • Horn Button #17 (1) • Pin #18 (2) • Spring #19 (2)	1	<a href="#">H-4709-HRNBQ</a>	1120-342300-00
11	Screw	6	-----	0000-000039-00
12	Line Clamp	3	<a href="#">H-4710-LCLMQ</a>	0000-000490-00
13	Lift/Lower Switch Box Assembly (Right Side) (Switches not Included) Includes: • Lift Button (Right Side) #2 (1) • Lowering Button (Right Side) #3 (1) • Spring #4 (4) • Button Bracket (Right Side) #5 (1) • Pin #6 (3)	1	<a href="#">H-5022</a>	1120-342200-00
14	Lift/Lower Switch Box (Left Side) (Switches not Included) Includes: • Lift Button (Left Side) #7 (1) • Lowering Button (Left Side) #8 (1) • Spring #4 (4) • Button Bracket (Left Side) #9 (1) • Pin #6 (3)	1	<a href="#">H-5021</a>	1120-342100-00
15	Control Head Microswitch and Harness Assembly	1	<a href="#">H-4709-CHSHQ</a>	1220-52006-0C
16	Switch	5	<a href="#">H-4709-MSWQ</a>	1220-560002-00
17	Horn Button	1	-----	1120-342002-00
18	Pin	2	-----	1120-342005-00
19	Spring	2	-----	1120-342003-00
20	Button Bracket	1	-----	1120-342004-00

**ULINE H-4709**  
**BIG JOE® ELECTRIC**  
**PALLET TRUCK – 3,000 LB**

1-800-295-5510  
 uline.com

**TRANSMISSION/MOTOR BRAKE HOUSING**  
 (UP TO SERIAL # 426150000)



**ULINE** H-4709  
**BIG JOE® ELECTRIC**  
**PALLET TRUCK – 3,000 LB**

1-800-295-5510  
 uline.com

**TRANSMISSION / MOTOR BRAKE HOUSING PARTS LIST**  
**(UP TO SERIAL # 426150000)**

#	DESCRIPTION	QTY.	ULINE PART NO.	MFG. PART NO.
1a	Rubber Washer (Used up to 10-24-2012)	1	-----	1115-200012-00
1b	Guide (Optional if truck has Speed Reduction Switch)	1	-----	1115-700002-00
1c	Connecting Piece (Optional if truck has Speed Reduction Switch)	1	-----	1115-700003-00
2	Bolt	1	<a href="#">H-4709-0011</a>	1115-200011-00
3	Plate	1	<a href="#">H-4709-PLATE</a>	1115-200009-0A
4	Bearing	1	<a href="#">H-4709-BEAR</a>	0000-000657-00
5a	Loading Bridge (Used up to Serial # E2116209)	1	-----	1115-200008-00
5b	Loading Bridge (Used from Serial # E2116210)	1	-----	1115-200008-0B
6	Bearing	1	<a href="#">H-4709-0668</a>	0000-000668-00
7	Round Cover Plate	1	<a href="#">H-4709-RCP</a>	1115-200006-0A
8	Gear Case	1	<a href="#">H-4709-GEAR</a>	1115-210001-0A
9	Screw	3	-----	0000-000665-00
10	Transmission Cap	1	-----	1115-200007-00
11	Screw	8	<a href="#">H-4709-SC386</a>	0000-000386-00
12	Washer	8	-----	0000-000056-00
13	Grease Fitting	1	<a href="#">H-4709-GRSFQ</a>	0000-000013-00
14	Pin	2	-----	0000-000704-00
15	Gear Box Cap	1	<a href="#">H-4709-GCYR</a>	1115-200001-00
16	Clip	1	-----	0000-000658-00
17	Clip	2	<a href="#">H-4709-CM15</a>	0000-000659-00
18	Bearing	1	<a href="#">H-4709-BR619</a>	0000-000667-00
19	Spiral Gear Set (Includes Two Gears)	1	<a href="#">H-4709-GK10</a>	1115-GSX-10
20	Bearing	1	<a href="#">H-4709-BR680</a>	0000-000680-00
21	Spiral Gear Set (Includes Two Gears)	1	<a href="#">H-4709-GK20</a>	1115-GSX-20
22	Key	1	<a href="#">H-4709-KY660</a>	0000-000660-00
23	Screw (Used up to 08-05-2012)	5	-----	0000-000154-00
23	Screw (Used up to 09-05-2012)	5	<a href="#">H-4709-23</a>	0000-000026-00
24	Lockwasher	5	<a href="#">H-4709-LW159</a>	0000-000159-00
25	Oil Seal	1	<a href="#">H-4709-OSEAL</a>	0000-000670-00
26	Screw	6	<a href="#">H-4709-SC661</a>	0000-000661-00
27	Washer	6	<a href="#">H-4709-206</a>	0000-000206-00
28	Keyway	2	<a href="#">H-4709-KEY</a>	0000-000662-00
29	Oil Seal	1	<a href="#">H-4709-29</a>	0000-000671-00
30	Bearing	2	<a href="#">H-4709-61824</a>	0000-000663-00
31	Drive Wheel – Gen. 1	1	<a href="#">H-4709DW</a>	1115-220000-00

**ULINE** H-4709  
**BIG JOE® ELECTRIC**  
**PALLET TRUCK – 3,000 LB**

1-800-295-5510  
 uline.com

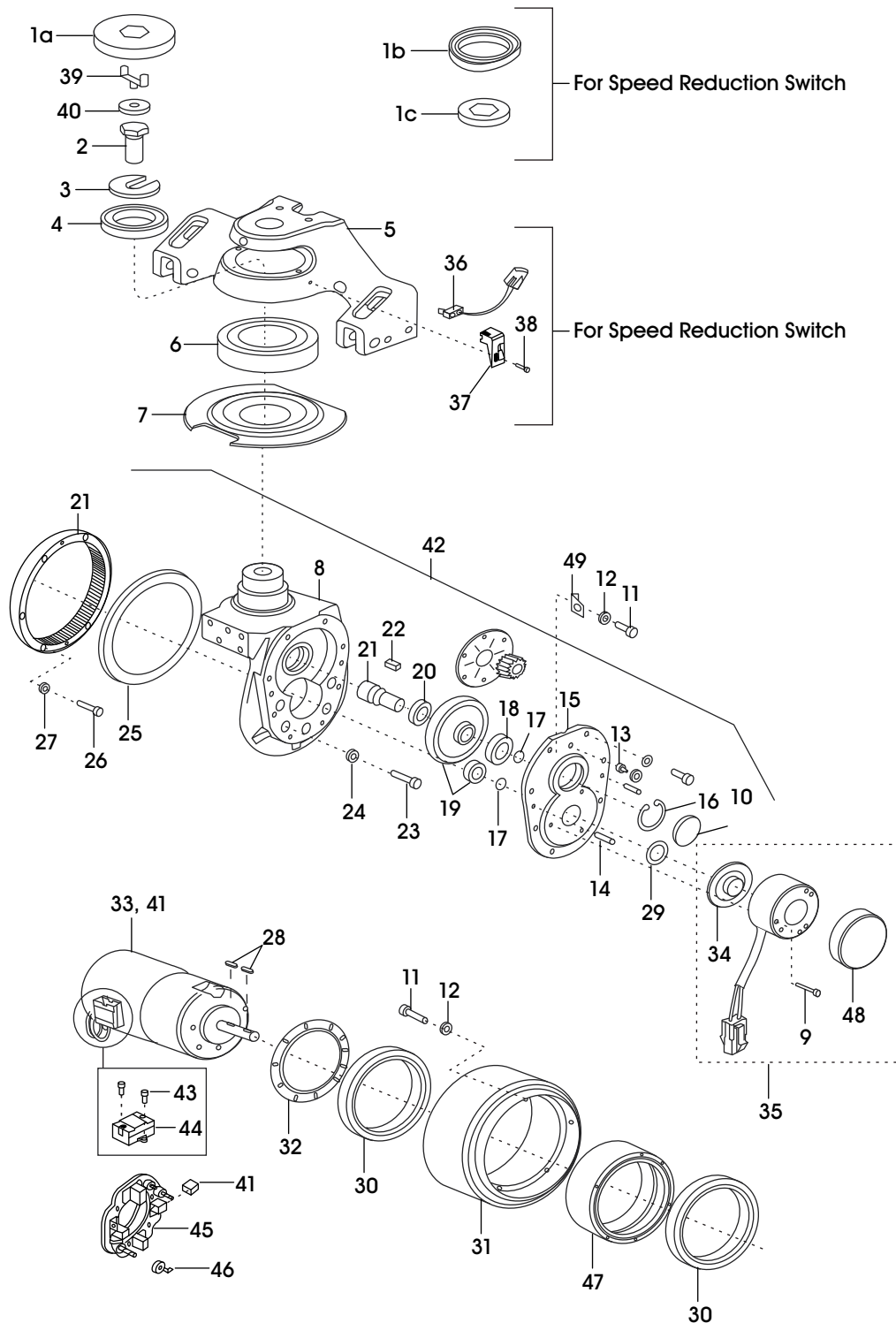
TRANSMISSION / MOTOR BRAKE HOUSING PARTS LIST CONTINUED  
 (UP TO SERIAL # 426150000)

#	DESCRIPTION	QTY.	ULINE PART NO.	MFG. PART NO.
32	Drive Baffle	1	<a href="#">H-4709-BAFFL</a>	1115-200010-00
33	Drive Motor (Replaced by 1115-250000-00)	1	-----	1115-230000-00
33	Drive Motor	1	<a href="#">H-4709-DMTR</a>	1115-250000-00
34	Brake Disc	1	-----	1115-240001-00
35	Brake Assembly (Replaced by 1115-520012-0A) Includes: • Screw #9 (1) • Brake Disc #34 (1)	1	<a href="#">H-4709BASSY</a>	1115-520012-00
36	Speed Reduction Switch and Harness (Only if truck has speed reduction switch)	1	<a href="#">H-4709-SRSQ</a>	1115-520018-00
37	Mounting Base (Only if truck has speed reduction switch)	1	-----	1115-700001-00
38	Screw M4 x 10 (Only if truck has speed reduction switch)	2	-----	0000-000701-00
39	Wire Guide (Used from 10-25-2012)	1	<a href="#">H-4709-WRGD</a>	1115-500012-00
40	M8 Flat Washer	1	<a href="#">H-4709-M8FWS</a>	0000-001007-00
41	Brush for Drive Motor (Sold Individually)	4	<a href="#">H-4709-BRSHQ</a>	1115-230001-00
41	Brush for Drive Motor (Used from 09-05-2012)	4	-----	1115-250001-00
42	Drive Unit Includes: • Drive Unit Assembly (1) • Round Cover Plate (1)	1	<a href="#">H-4709-DUA</a>	1115-200000-00
43	Screw	2	<a href="#">H-4709-004</a>	0000-000004-00
44	Terminal Block	1	<a href="#">H-4709-TBLCK</a>	1115-231000-00
45	Brush Holder (Used from 09-05-2012)	1	-----	1115-250003-00
46	Spring – Motor Brush (Used from 09-06-2012)	4	-----	1115-250002-00
	Guide (Not Shown) (Optional if truck has speed reduction switch)	1	-----	1115-700002-00
	Connecting Piece (Not Shown) (Optional if truck has speed reduction switch)	1	-----	1115-700003-00
	Clamp (Not Shown)	1	<a href="#">H-4709-TNKCL</a>	1115-560018-00
	Cover Plate (Not Shown)	1	<a href="#">H-4709CPLATE</a>	115BG-500001-00

**ULINE** H-4709  
**BIG JOE® ELECTRIC**  
**PALLET TRUCK – 3,000 LB**

1-800-295-5510  
 uline.com

**TRANSMISSION / MOTOR BRAKE HOUSING**  
 (FROM SERIAL # 426150001)



**ULINE** H-4709  
**BIG JOE® ELECTRIC**  
**PALLET TRUCK – 3,000 LB**

1-800-295-5510  
 uline.com

TRANSMISSION / MOTOR BRAKE HOUSING PARTS LIST CONTINUED  
 (FROM SERIAL # 426150001)

#	DESCRIPTION	QTY.	ULINE PART NO.	MFG. PART NO.
1a	Rubber Washer (Used up to 10-24-2012)	1	-----	1115-200012-00
1b	Guide (Optional if truck has Speed Reduction Switch)	1	-----	1115-700002-00
1c	Connecting Piece (Optional if truck has Speed Reduction Switch)	1	-----	1115-700003-00
2	Bolt	1	<a href="#">H-4709-0011</a>	1115-200011-00
3	Plate	1	<a href="#">H-4709-PLATE</a>	1115-200009-0A
4	Bearing	1	<a href="#">H-4709-BEAR</a>	0000-000657-00
5	Loading Bridge	1	-----	1115-200008-0B
6	Bearing	1	<a href="#">H-4709-0668</a>	0000-000668-00
7	Round Cover Plate (Used up to Serial # 4281002525)	1	<a href="#">H-4709-RCP</a>	1115-200006-0A
7	Round Cover Plate (Used from Serial # 4281002525)	1	-----	1115-200006-10
8	Gear Case	1	<a href="#">H-4709-GEAR</a>	1115-210001-0A
9	Screw (Used up to Serial # 426200143)	3	-----	0000-000665-00
9	Screw – M4 x 45 mm (Used from Serial # 426200144)	3	<a href="#">H-7505-M4X45</a>	1115-240003-0A
10	Transmission Cap	1	-----	1115-200007-00
11	Screw (Used up to Serial # 427211547)	8	<a href="#">H-4709-SC386</a>	0000-000386-00
12	Washer	8	-----	0000-000056-00
13	Grease Fitting	1	<a href="#">H-4709-GRSFQ</a>	0000-000013-00
14	Pin	2	-----	0000-000704-00
15	Gear Box Cap	1	<a href="#">H-4709-GCVR</a>	1115-200001-00
16	Clip	1	-----	0000-000658-00
17	Clip	2	<a href="#">H-4709-GK10</a>	0000-000659-00
18	Bearing	1	<a href="#">H-4709-BR619</a>	0000-000667-00
19	Spiral Gear Set (Includes Two Gears)	1	<a href="#">H-4709-GK10</a>	1115-GSX-10
20	Bearing	1	<a href="#">H-4709-BR680</a>	0000-000680-00
21	Spiral Gear Set (Used up to Serial # 427211547) (Includes Two Gears)	1	<a href="#">H-4709-GK20</a>	1115-GSX-20
21	Spiral Gear Set (Used from Serial # 427211548) (Includes Two Gears)	1	<a href="#">H-4709-GK2A</a>	1115-GSX-2A
22	Brake Assembly Key	1	<a href="#">H-4709-KY660</a>	0000-000660-00
23	Screw	5	<a href="#">H-4709-23</a>	0000-000026-00
24	Lock Washer	5	<a href="#">H-4709-LW159</a>	0000-000159-00
25	Oil Seal	1	<a href="#">H-7505-OS</a>	0000-001788-00
26a	Allen Head Cap Screw – M5 x 25 mm (Used up to Serial # 4281205273)	6	<a href="#">H-4709-M5X25</a>	3020-010000-91
26b	Allen Head Cap Screw – M5 x 25 mm (Used from Serial # 4281205273)	6	<a href="#">H-4709-AHCS</a>	1115-200021-DO

**ULINE** H-4709  
**BIG JOE® ELECTRIC**  
**PALLET TRUCK – 3,000 LB**

1-800-295-5510  
 uline.com

TRANSMISSION / MOTOR BRAKE HOUSING PARTS LIST CONTINUED  
 (FROM SERIAL # 426150001)

#	DESCRIPTION	QTY.	ULINE PART NO.	MFG. PART NO.
27	Washer	6	<a href="#">H-4709-206</a>	0000-000206-00
28	Keyway	2	<a href="#">H-4709-KEY</a>	0000-000662-00
29	Oil Seal	1	<a href="#">H-4709-29</a>	0000-000671-00
30	Bearing	2	<a href="#">H-4709-61824</a>	0000-000663-00
31	Drive Wheel – Gen. 3	1	<a href="#">H-4709-DW2</a>	1115-220000-D0
32	Drive Baffle	1	<a href="#">H-4709-BAFFL</a>	1115-200010-00
33	Drive Motor	1	<a href="#">H-4709-DMTR</a>	1115-250000-00
34	Brake Disc	1	-----	1115-240001-00
35	Brake Assembly (Replaced by 1115-520012-0A) (Used up to Serial # 426200143) Includes: • Screw #9 (1) • Brake Disc #34 (1) • Scraper Seal #48 (1)	1	<a href="#">H-4709BASSY</a>	1115-520012-00
35	Brake Assembly (Used from Serial # 426200144)	1	<a href="#">H-4709NBRK</a>	1115-520012-20
36	Speed Reduction Switch and Harness (Optional if truck has speed reduction switch)	1	<a href="#">H-4709-SRSQ</a>	1115-520018-00
37	Mounting Base (Optional if truck has speed reduction switch)	1	-----	1115-700001-00
38	Screw M4 x 10 (Optional if truck has speed reduction switch)	2	-----	0000-000701-00
39	Wire Guide	1	<a href="#">H-4709-WRGD</a>	1115-500012-00
40	M8 Flat Washer	1	<a href="#">H-4709-M8FWS</a>	0000-001007-00
41	Brushes, Motor Drive	4	-----	1115-250001-00
42	Drive Unit Assembly Includes: • Motor • Wheel • BR (#8-35)	1	<a href="#">H-4709-GEAR</a>	1115-200000-A0
43	Screw	2	<a href="#">H-4709-004</a>	0000-000004-00
44	Terminal Block	1	<a href="#">H-4709-TBLCK</a>	1115-231000-00
45	Brush Holder	1	-----	1115-250003-00
46	Spring – Motor Brush	4	-----	1115-250002-00
47	Inner Rim (Used up to Serial # 4281205273) Includes: • Inner Rim (1) • Screw – M5 x 30 mm (6) • Washer (6)	1	<a href="#">H-4709-IR</a>	977021
47a	Inner Rim (Used from Serial # 4281205273)	1	<a href="#">H-4709-IRIM</a>	1115-200001-D0
48	Scraper Seal (Used from Serial # 426200144)	1	-----	1115-240002-0A
49	Plate (Used from Serial # 427190827)	1	<a href="#">H-4709-BPLT</a>	1115-200020-00

**ULINE** H-4709  
**BIG JOE® ELECTRIC**  
**PALLET TRUCK – 3,000 LB**

1-800-295-5510  
 uline.com

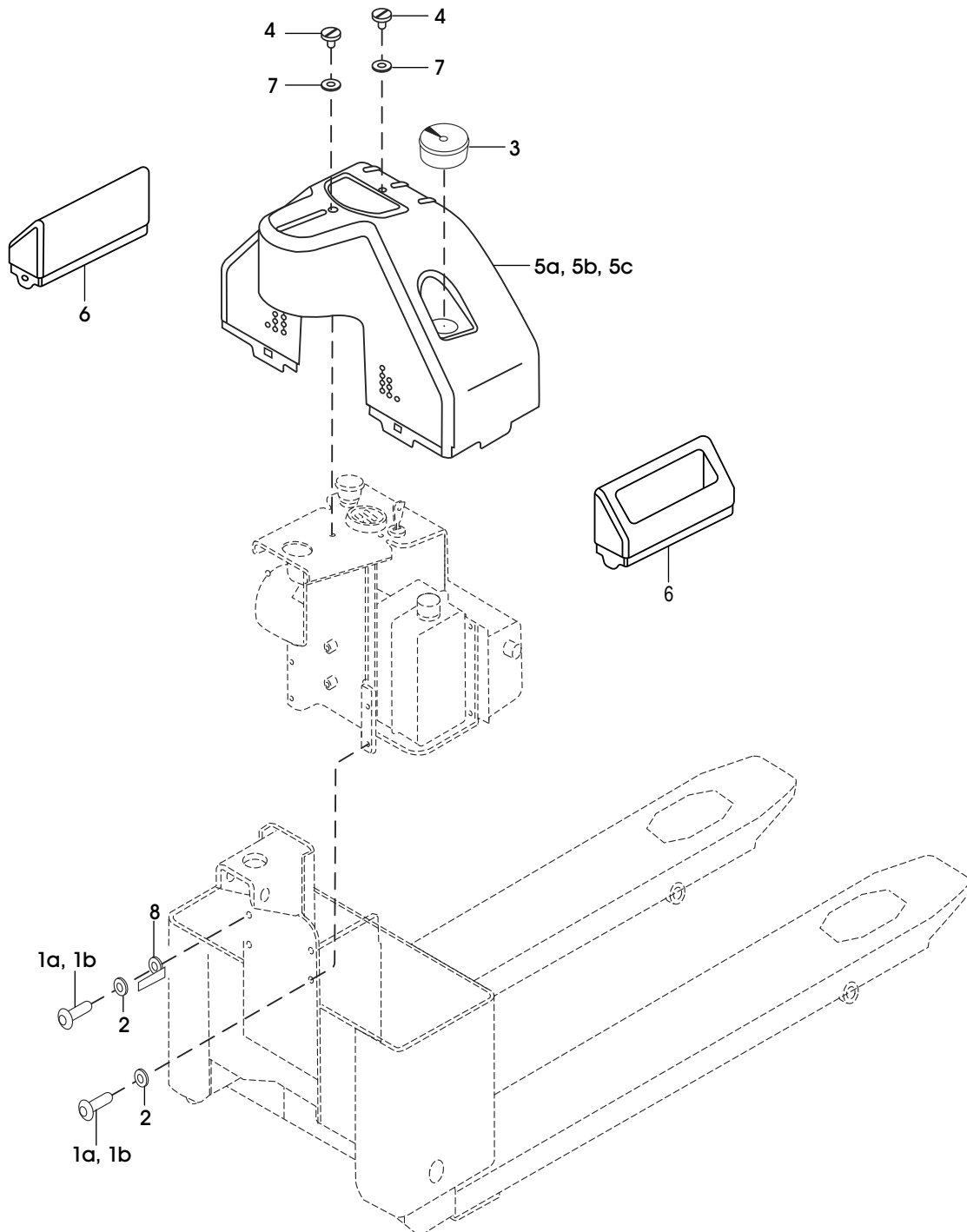
TRANSMISSION / MOTOR BRAKE HOUSING PARTS LIST CONTINUED  
 (FROM SERIAL # 426150001)

#	DESCRIPTION	QTY.	ULINE PART NO.	MFG. PART NO.
	Connecting Piece (Not Shown) (Optional if truck has speed reduction switch)	1	-----	1115-700003-00
	Drive Wheel, Treaded (Not Shown) (Used up to Serial # 427211547) (For Serial # 42615001 and higher)	1	-----	1115-220000-B0
	Drive Wheel, Treaded (Not Shown) (Used from Serial # 427211548)	1	<a href="#">H-7505-DRIVQ</a>	1115-220000-E0
	Brake Assembly (Not Shown) (Used between Serial # 426200144 - 427190826)	1	<a href="#">H-4709BASSY</a>	1115-520012-0A
	Brake Assembly (Not Shown) (Used between Serial # 426200144 - 427190827)	1	-----	1115-520012-10

**ULINE** H-4709  
**BIG JOE® ELECTRIC**  
**PALLET TRUCK – 3,000 LB**

1-800-295-5510  
uline.com

COMPARTMENT COVER



**ULINE** H-4709  
**BIG JOE® ELECTRIC**  
**PALLET TRUCK – 3,000 LB**

1-800-295-5510  
 uline.com

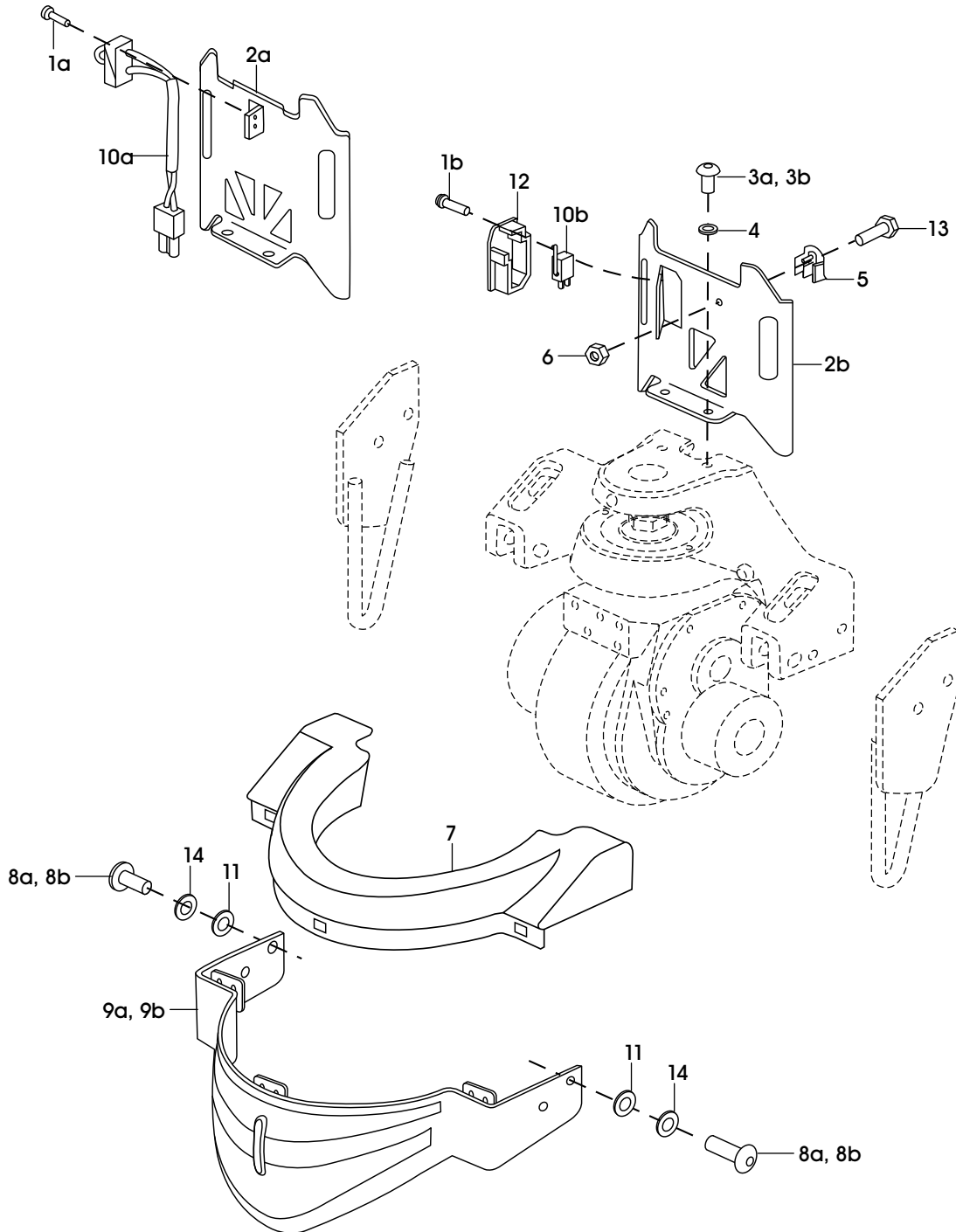
COMPARTMENT COVER PARTS LIST

#	DESCRIPTION	QTY.	ULINE PART NO.	MFG. PART NO.
1a	Screw (Used up to 10-24-2012)	4	-----	0000-000179-00
1b	Screw (Used from 10-25-2012)	4	<a href="#">H-4709-7700</a>	0000-000077-00
2	Flat Washer	4	<a href="#">H-4709-M6WSH</a>	0000-000123-00
3	Charger Cap	1	<a href="#">H-4709CAP</a>	1115-120002-00
4	Screw M6 x 25 (Used up to Serial # 427153083)	2	<a href="#">H-4710-SCREW</a>	1120-150004-00
5a	Cover – Big Joe Yellow	1	<a href="#">H-4709COVER</a>	1115-120001-00
5b	Cover – EP Red	1	-----	1115-120001-00-01
5c	Cover RAL 2008 ORANGE	1	<a href="#">H-4709-02</a>	1115-120001-00-02
6	Cover (Replaced by 1115-120003-N0) (Used up to Serial # 424191006)	2	-----	1115-120003-00
7	Washer	2	<a href="#">H-4710-10WSH</a>	2214-150002-00
8	Wire Clamp (Used from 10-25-2012 and forward)	1	-----	1115-500013-00
	E30 Side Storage Pocket – Big Joe Yellow (Not Shown) (Used from Serial # 424191007)	2	<a href="#">H-4709SCOVER</a>	1115-120003-n0
	Side Covers – Red (Not Shown) (Used to Serial # 424191006)	2	-----	1115-120003-00-01
	E30 Side Storage Pocket – Red (Not Shown) (Used from Serial # 424191007)	2	-----	1115-120003-n0-01
	Cover (Not Shown) (Used from Serial # 424191006)	2	-----	1115-120003-00-02
	Cover, Storage Pocket RAL 2008 Orange (Not Shown) (Used from Serial # 424191007)	2	-----	1115-120003-n0-02
	Charging Instructions Decal (Not Shown)	1	<a href="#">H-4709-DECAL</a>	901809

**ULINE** H-4709  
**BIG JOE® ELECTRIC**  
**PALLET TRUCK – 3,000 LB**

1-800-295-5510  
uline.com

COMPARTMENT  
(UP TO SERIAL # 427190907)



**ULINE** H-4709  
**BIG JOE® ELECTRIC**  
**PALLET TRUCK – 3,000 LB**

1-800-295-5510  
 uline.com

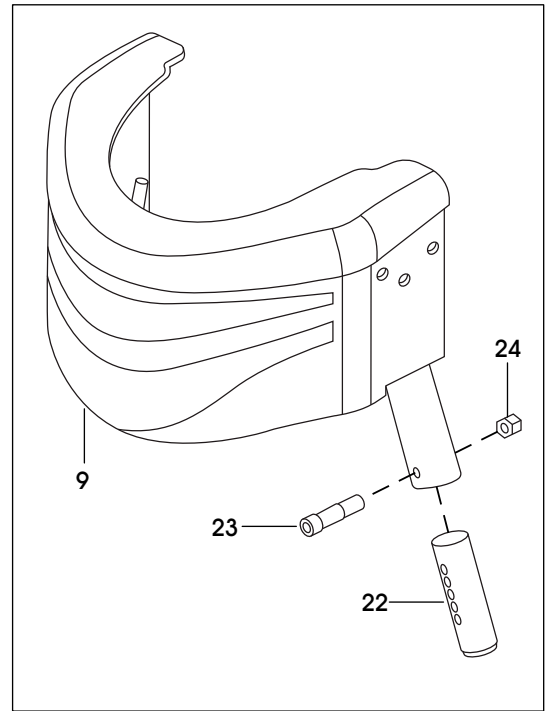
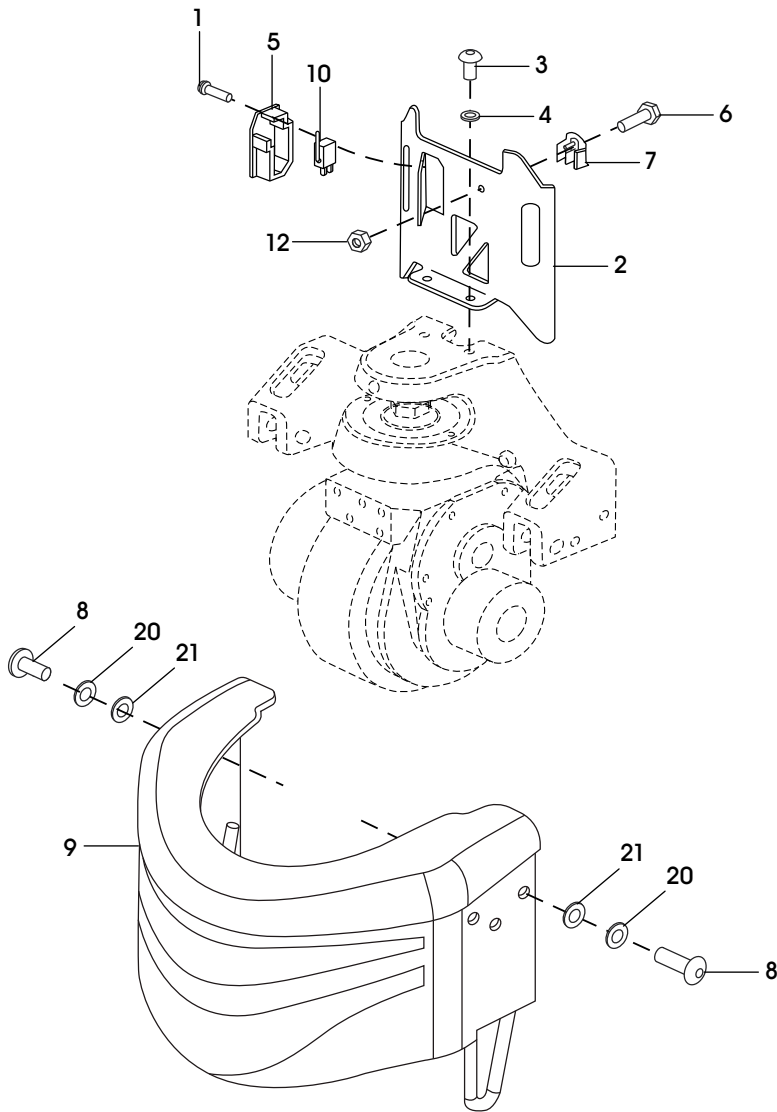
COMPARTMENT PARTS LIST  
 (UP TO SERIAL # 42719097)

#	DESCRIPTION	QTY.	ULINE PART NO.	MFG. PART NO.
1a	Screw M2 x 12 ST (Used up to Serial # E2120047)	2	<a href="#">H-4709-M2X12</a>	0000-000989-00
1b	Screw M3 x 20 (Used from Serial # E2120048)	2	<a href="#">H-7505-M3X20</a>	0000-000981-00
2a	Bracket (Used up to Serial # E2120047)	1	-----	1115-540000-00
2b	Bracket (Used from Serial # E2120048)	1	<a href="#">H-4709-PBRKT</a>	1115-500015-00
3a	Screw (Used up to 02-01-2012)	2	-----	0000-000179-00
3b	Screw (Used up to 02-01-2012)	2	<a href="#">H-4709-7700</a>	0000-000077-00
4	Flat Washer	2	<a href="#">H-4709-M6WSH</a>	0000-000123-00
5	Wire Clamp (Used from Serial # E2120048)	1	<a href="#">H-4709-WCLMP</a>	1115-500011-00
6	Nut (Used from Serial # E2120048)	1	<a href="#">H-4709-NUT</a>	0000-000923-00
7	Cover	1	<a href="#">H-4709-BLCVR</a>	1115-121001-00
8a	Screw M10 X 25 (Used up to Serial # 424210638)	6	-----	0000-000655-00
8b	Screw M10 X 25; Cap Head (Used from Serial # 424210638)	6	<a href="#">H-4709M10X25</a>	0000-000494-00
9a	Cover (Replaced by 1115-121100-0A) (Used from Serial # E2221098)	1	-----	1115-121100-00
9b	Drive Tire Cover (Used from Serial # E2221099)	1	<a href="#">H-4709-TCOWL</a>	1115-121100-0A
10a	Limit Switch Assembly (Used from Serial # E2120047)	1	-----	1115-520006-00
10b	Lift Limit Switch Assembly (Used from Serial # E2120048)	1	<a href="#">H-4709SLIMIT</a>	1115-500017-00
11	Flat Washer	6	<a href="#">H-4709-FWASH</a>	0000-000007-00
12	Bracket (Used from Serial # E2120048)	1	<a href="#">H-4709-CLAMP</a>	1115-500014-00
13	Bolt (Used from Serial # E2120048)	1	<a href="#">H-4709-BOLT</a>	0000-000988-00
14	Washer (Used from Serial # E2221099)	6	<a href="#">H-4709-19</a>	0000-000063-00

**ULINE H-4709**  
**BIG JOE® ELECTRIC**  
**PALLET TRUCK – 3,000 LB**

1-800-295-5510  
uline.com

COMPARTMENT CONTINUED  
(FROM SERIAL # 427190908)



Optional

**ULINE H-4709**  
**BIG JOE® ELECTRIC**  
**PALLET TRUCK – 3,000 LB**

1-800-295-5510  
 uline.com

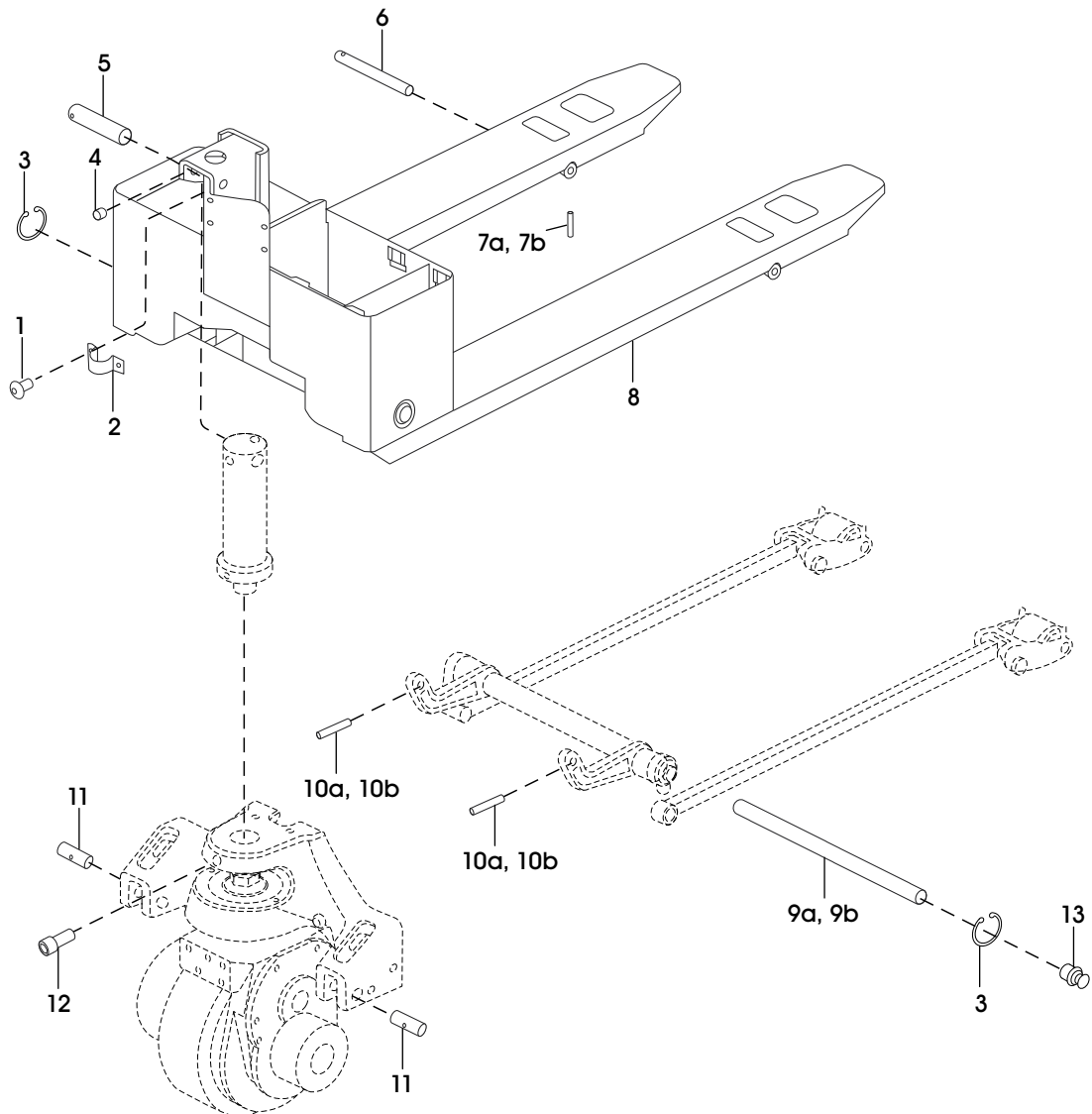
COMPARTMENT PARTS LIST CONTINUED  
 (FROM SERIAL # 427190908)

#	DESCRIPTION	QTY.	ULINE PART NO.	MFG. PART NO.
1	Screw, M3 x 20	2	<a href="#">H-7505-M3X20</a>	0000-000981-00
2	Bracket	1	<a href="#">H-4709BRACKT</a>	1115-500015-00
3	Screw	2	<a href="#">H-4709-7700</a>	0000-000077-00
4	Flat Washer	2	<a href="#">H-4709-M6WSH</a>	0000-000123-00
5	Bracket	1	<a href="#">H-4709-CLAMP</a>	1115-500014-00
6	Bolt	1	<a href="#">H-4709-BOLT</a>	0000-000988-00
7	Wire Clamp, 2 Cable	1	<a href="#">H-7505-ACUITR</a>	1115-500011-0A
8	Screw	6	<a href="#">H-4709-56</a>	3020-000000-56
9	Lower Cover with Balance Stands	1	<a href="#">H-4709-LCBS</a>	1115-122000-A0
9	Lower Cover with UHMW Mount (Optional - Does not include insert or hardware)	1	<a href="#">H-4709-D0</a>	1115-122000-D0
10	Lift Limit Switch Assembly	1	<a href="#">H-4709SLIMIT</a>	1115-500017-00
12	Nut	1	<a href="#">H-4709-NUT</a>	0000-000923-00
20	Washer	6	<a href="#">H-4709-19</a>	0000-000063-00
21	Flat Washer	6	<a href="#">H-4709-FWASH</a>	0000-000007-00
22	Insert for Adjustable Stability Bar (Optional)	2	-----	1115-140005-K0
23	Screw (Optional)	2	-----	0000-001102-00
24	Nut (Optional)	2	<a href="#">H-4705-4000</a>	0000-000740-00
	Flat Washer (Not Shown)	2	-----	0000-000373-00
	Washer (Not Shown)	6	<a href="#">H-4709-19</a>	0000-000630-00
	Caster Assembly (Not Shown)	2	-----	1115-160000-B0

**ULINE** H-4709  
**BIG JOE® ELECTRIC**  
**PALLET TRUCK – 3,000 LB**

1-800-295-5510  
uline.com

FRAME



**ULINE** H-4709  
**BIG JOE® ELECTRIC**  
**PALLET TRUCK – 3,000 LB**

1-800-295-5510  
 uline.com

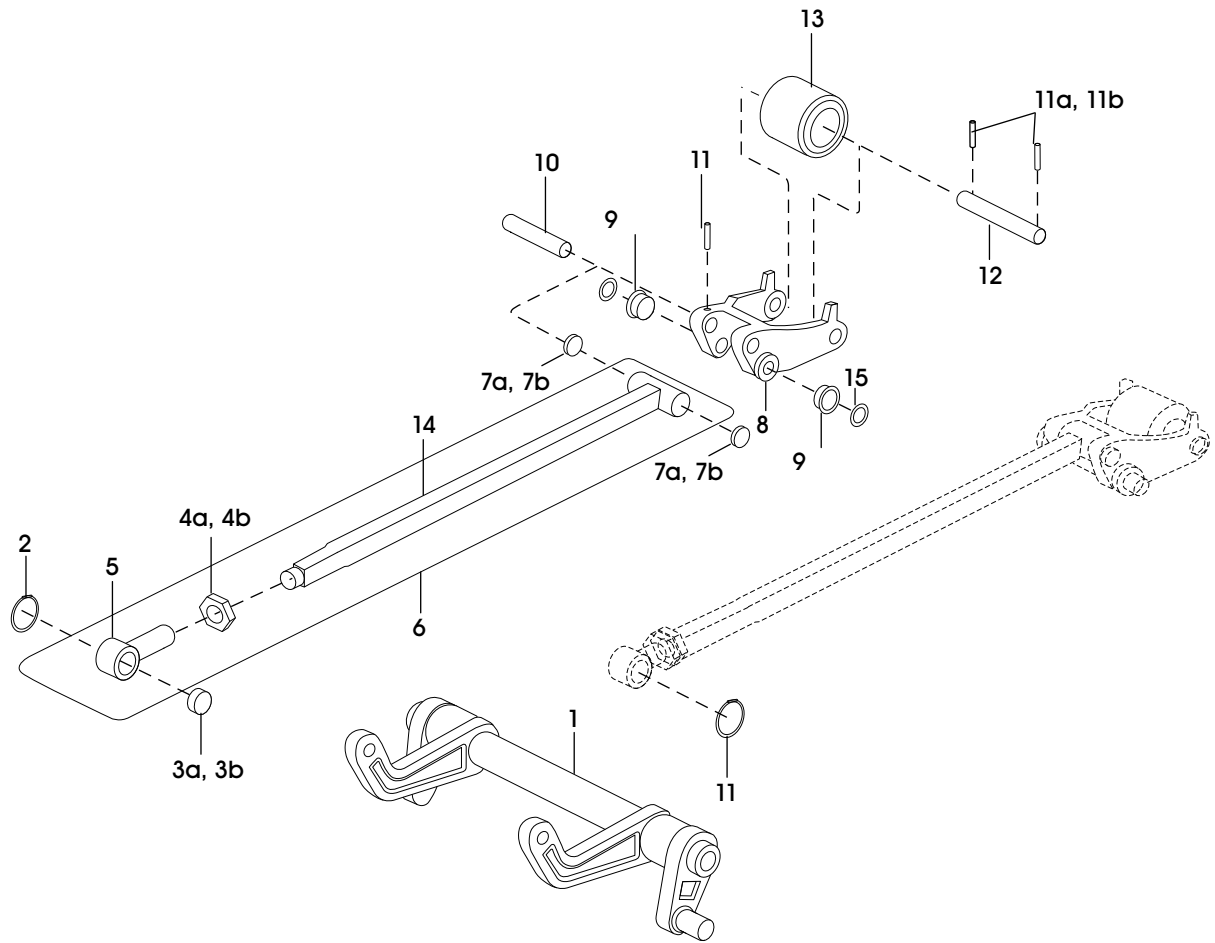
FRAME PARTS LIST

#	DESCRIPTION	QTY.	ULINE PART NO.	MFG. PART NO.
1	Screw	2	<a href="#">H-4709-3</a>	0000-000651-00
2	Binding Clip	1	<a href="#">H-4709-CLIP1</a>	1115-500002-00
3	Clip	2	<a href="#">H-4709-CLIP</a>	0000-000650-00
4	Screw	2	<a href="#">H-4710-M6X8</a>	0000-000016-00
5	Lift Cylinder Mounting Pin	1	-----	1115-400001-00
6	Front Pull Rod Shaft	2	<a href="#">H-4709-FPRS</a>	1115-1300004-0A
7a	Roll Pin (Used up to Serial # 424150330)	2	<a href="#">H-4709-RPIN</a>	0000-000708-00
7b	Spring Type Straight Pin Slotted 5 x 30 (Used from Serial # 424150331)	2	<a href="#">H-4709-M5X30</a>	0000-001456-00
8	Front Frame	1	-----	1115-110000-40
9a	Long Support Shaft (Used up to Serial # 427120607)	1	<a href="#">H-4709-RPRS</a>	1115-130002-40
9b	Rear Pull Rod Shaft E30 (Used from Serial # 427120608)	1	<a href="#">H-4709-RPRS</a>	1115-130002-4B
10a	Roll Pin (Used up to Serial # 424150330)	2	<a href="#">H-4709-M4XM5</a>	0000-000654-00
10b	Roll Pin M4 x 45 (Used from Serial # 424150331)	2	<a href="#">H-4709-M4X45</a>	0000-001458-00
11	Handle Shaft	2	<a href="#">H-4709-SHAFT</a>	1115-130001-00
12	Screw (Used up to Serial # E2116209)	1	<a href="#">H-4709-SC032</a>	0000-000032-00
12	Screw (Used from Serial # E2116210)	1	<a href="#">H-4709-15500</a>	0000-000155-00
13	Grease Fitting (Used from Serial # 427120608)	2	<a href="#">H-4709-GRSEFQ</a>	0000-000013-00

**ULINE** H-4709  
**BIG JOE® ELECTRIC**  
**PALLET TRUCK – 3,000 LB**

1-800-295-5510  
uline.com

LIFT LINK ASSEMBLY



**ULINE** H-4709  
**BIG JOE® ELECTRIC**  
**PALLET TRUCK – 3,000 LB**

1-800-295-5510  
 uline.com

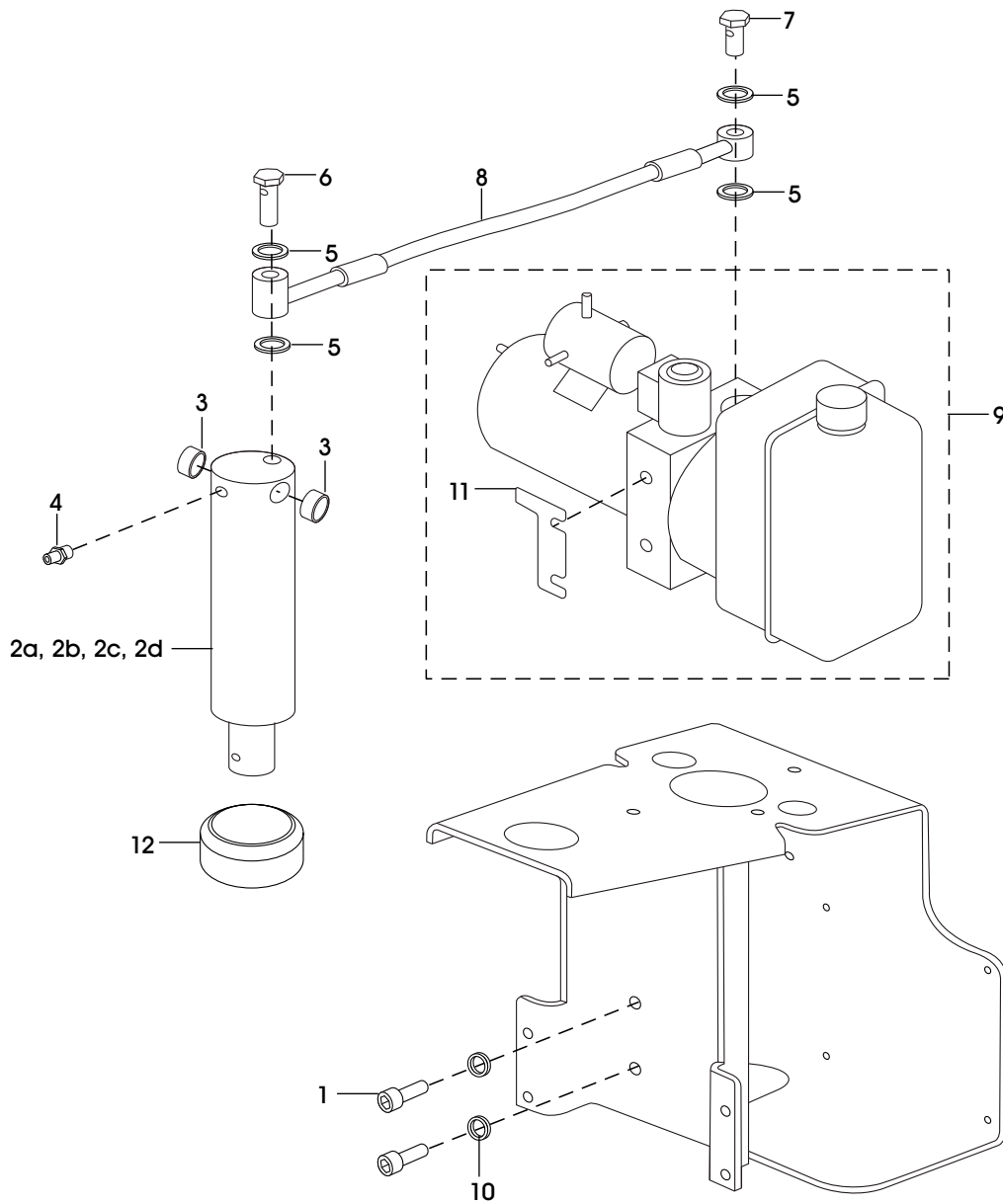
LIFT LINK ASSEMBLY PARTS LIST

#	DESCRIPTION	QTY.	ULINE PART NO.	MFG. PART NO.
1	Down Link 30 (27" Fork Width)	1	-----	1115-131000-40
2	Clip	2	<a href="#">H-4709-M25Q</a>	0000-000294-00
3a	Bushing (Used up to 02-21-2012)	2	-----	0000-000675-00
3b	Bushing (Used from 02-22-2012)	2	<a href="#">H-4709BUSHQ</a>	0000-000906-00
4a	Nut (Used up to Serial # 427162916)	2	-----	0000-000101-00
4b	Nut (Used from Serial # 427162917)	2	-----	1121-132010-00
5	Connector (Includes Bushing & Nut)	2	<a href="#">H-4709-CONN</a>	1115-132100-00
6	Long Link Assembly – 45" Forks	2	<a href="#">H-4709-LINK</a>	1115-132000-0B-04
7a	Bushing (Used up to 02-21-2012)	4	<a href="#">H-4710-B2015</a>	0000-000011-00
7b	Bushing (Used from 02-22-2012)	4	<a href="#">H-4709-BSH</a>	0000-000907-00
8	Wheel Bracket	2	<a href="#">H-4709WHLBRK</a>	1115-130005-4A
9	Bushing	4	<a href="#">H-4709-908Q</a>	0000-000908-00
10	Fork Wheel Shaft	2	<a href="#">H-4709LSHAFT</a>	1115-130003-00
11a	Roll Pin (Used up to Serial # 424150330)	4	<a href="#">H-4709-RPIN</a>	0000-000708-00
11b	Spring Type Straight Pin Slotted 5 x 30 (Used from Serial # 424150331)	4	<a href="#">H-4709-M5X30</a>	0000-001456-00
12	Load Wheel Shaft	2	<a href="#">H-4709WHLSHF</a>	1115-130007-40
13	Load Wheel Assembly with Bearings	2	<a href="#">H-4709LASSY</a>	1115-133000-40
14	Long Rod	2	-----	1115-132200-00-04
15	Washer – Two per 1115-130005-4A Bracket (Used from 11-29-2013)	2	<a href="#">H-4709-008Q</a>	1115-130008-00
	Bearing (Not Shown)	1	<a href="#">H-4709BRNG</a>	0000-000020-00

**ULINE H-4709**  
**BIG JOE® ELECTRIC**  
**PALLET TRUCK – 3,000 LB**

1-800-295-5510  
uline.com

HYDRAULIC SYSTEM



**ULINE** H-4709  
**BIG JOE® ELECTRIC**  
**PALLET TRUCK – 3,000 LB**

1-800-295-5510  
 uline.com

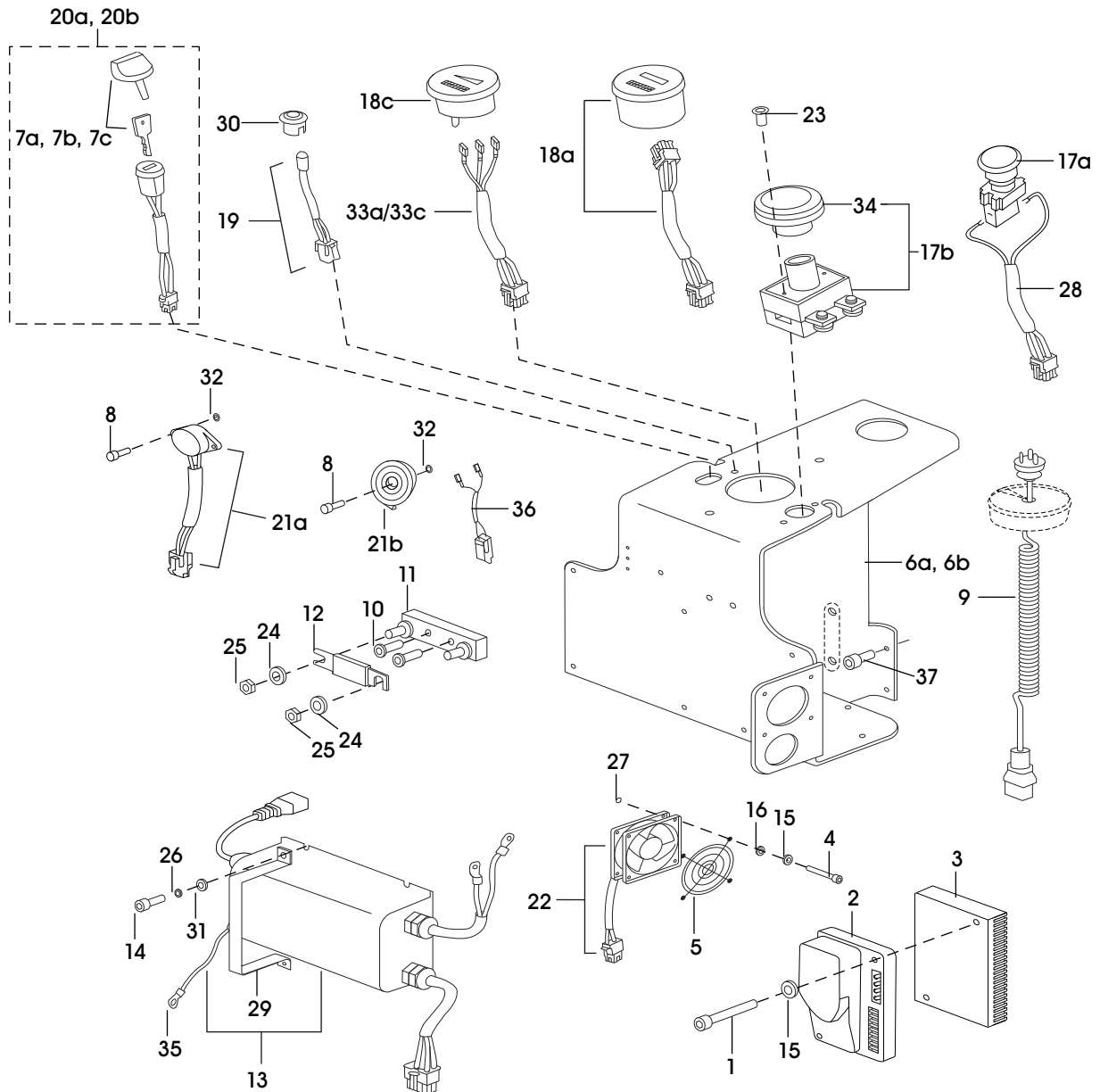
HYDRAULIC SYSTEM PARTS LIST

#	DESCRIPTION	QTY.	ULINE PART NO.	MFG. PART NO.
1	Screw	2	-----	0000-000109-00
2a	Lift Cylinder (Used up to Serial # E2017219)	1	-----	1115-410000-00
2b	Lift Cylinder (For use with Serial # E2017220 - E2116209)	1	-----	1115-410000-0A
2c	Lift Cylinder (For use with Serial # E2116210 - 426192437)	1	<a href="#">H-4709-LCYL</a>	1115-410000-0B
2d	Lift Cylinder (Used from Serial # 426192438)	1	<a href="#">H-4709-CYLD</a>	1115-410000-0D
3	Bushing	2	<a href="#">H-4709-BUSH</a>	0000-000705-00
4	Grease Fitting	1	<a href="#">H-4709-GRSFQ</a>	0000-000013-00
5	Seal Washer	4	<a href="#">H-4709WASHER</a>	0000-000044-00
6	Bolt	1	<a href="#">H-4709-HB6</a>	2401-146000-00
7	Bolt	1	<a href="#">H-4709-HB7Q</a>	2401-143500-00
8	Hydraulic Hose	1	<a href="#">H-4709HOSE</a>	1115-420000-00
9	Pump and Motor Assembly (Replaced by 1115-430000-0A) Includes: • Pump (1) • Motor (1)	1	<a href="#">H-4709-PUMP</a>	1115-510001-00
10	Lock Washer	2	<a href="#">H-4709-LW159</a>	0000-000159-00
11	Shim (Used from Serial # 425190003)	1	<a href="#">H-4709-BAFF</a>	1115-511004-0A
12	Block (Used from Serial # E21162010)	1	<a href="#">H-4708-BLCK</a>	1115-400002-0B
	Pump Motor Solenoid (Not Shown)	1	<a href="#">H-4709PMPMTR</a>	1115-560002-00

**ULINE H-4709**  
**BIG JOE® ELECTRIC**  
**PALLET TRUCK – 3,000 LB**

1-800-295-5510  
uline.com

ELECTRICAL SYSTEM



**ULINE** H-4709  
**BIG JOE® ELECTRIC**  
**PALLET TRUCK – 3,000 LB**

1-800-295-5510  
 uline.com

**ELECTRICAL SYSTEM PARTS LIST**

#	DESCRIPTION	QTY.	ULINE PART NO.	MFG. PART NO.
1	Screw	2	<a href="#">H-7505-M4X45</a>	0000-000665-00
2	Controller Programmed For E30	1	<a href="#">H-4709-E30</a>	1115-510004-00-40
3	Heat Sink	1	<a href="#">H-4709-HS</a>	1115-510005-0A
4	Screw	4	<a href="#">H-7505-121</a>	0000-000121-00
5	Veil Mat	1	<a href="#">H-7505-FG</a>	1115-500007-00
6a	Bracket (Used up to Serial # 4281000747)	1	-----	1115-511002-40
6b	Bracket (Used from Serial # 4281000748)	1	<a href="#">H-4709-BRKT</a>	1115-511000-0C
7	Black Plastic Molded Key – Set of 2 for 2-Way Key Switch	2	<a href="#">H-5031</a>	1115-500016-00
8	Screw (Used from Serial # 4281403798)	2	<a href="#">H-4709-004</a>	0000-000004-00
9	Charger Cable	1	<a href="#">H-4709CHRCBL</a>	1120-510002-18
10	Screw	2	<a href="#">H-4710-M6X16</a>	0000-000126-00
11	Fuse Stand	1	<a href="#">H-4709-FHLDR</a>	1120-540001-00-B
12	Power Fuse	1	<a href="#">H-4709-FUSE</a>	1115-510003-00
13	Charger Assembly 15A (Used from Serial # 424160585)	1	<a href="#">H-4709CHRGR</a>	1115-520014-30
14	Screw	4	<a href="#">H-4709-SC31</a>	0000-000031-00
15	Lock Washer 4	6	<a href="#">H-7505-WASH4</a>	0000-000122-00
16	Flat Washer 4	4	<a href="#">H-7505-FW4</a>	0000-000702-00
17a	Emergency Stop Switch (Replaced by 1113-500012-01) (Only used on Serial #'s: E2013118, E2013122, E2013189, E2013190, E2013191, E2013192, E2013117, E2013119, E2013120, E2013121, E2013125, E2013128, E2013126, E2013123)	1	<a href="#">H-7505-ERSWQ</a>	3218-604000-00
17b	Emergency Stop Switch (For all trucks not mentioned in #17)	1	<a href="#">H-4779</a>	1115-510008-00
18a	Battery Discharge Indicator Kit (used prior to serial #4311301787) Includes: • Battery Discharge Meter with Hour Meter • BDI Wire Harness	1	<a href="#">H-4709-BDIKT</a>	901851
18c	Battery Discharge Meter with Hour Meter (used from serial #4311301787)	1	<a href="#">H-4710-BIMTR</a>	2105-500003-00
19	LED	1	<a href="#">H-4709WHRNSS</a>	1115-520013-00
20a	Three-way Keyswitch Assembly with Two Keys (Only used on Serial #'s: E2013117, E2013119, E2013120, E2013121, E2013123, E2013124, E2013125, E2013126, E2013127, E2013128, E2013133, E2013142, E2013143, E2014129, E2014131, E2014134, E2014147. NOTES: E30 & S2)	1	<a href="#">H-4709-SASSQ</a>	1115-520003-00
20b	Two-Way Key Switch Assembly (Used up to Serial # E2120047)	1	<a href="#">H-4709-KSAQ</a>	1115-520003-0A
20c	Key Switch (Used from Serial # E2120048)	1	<a href="#">H-4709KEYSWT</a>	1115-520019-0A
21a	Buzzer Assembly (Horn) (Used up to Serial # 4281403797)	1	<a href="#">H-4709-BZASM</a>	1115-520015-00

**ULINE** H-4709  
**BIG JOE® ELECTRIC**  
**PALLET TRUCK – 3,000 LB**

1-800-295-5510  
 uline.com

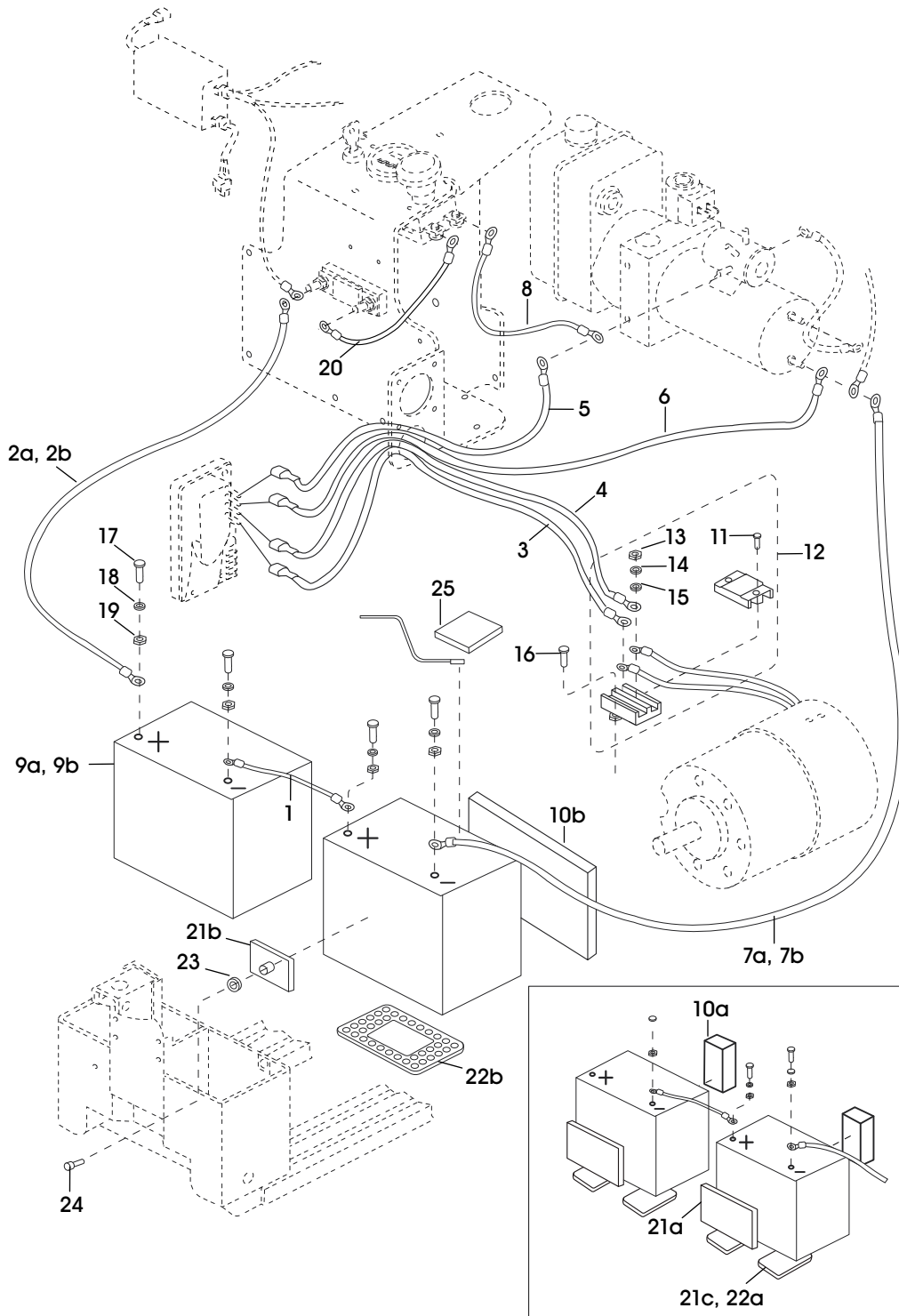
ELECTRICAL SYSTEM PARTS LIST CONTINUED

#	DESCRIPTION	QTY.	ULINE PART NO.	MFG. PART NO.
21b	Horn (Used from Serial # 4281403798)	1	<a href="#">H-4710-HORN</a>	1120-500003-0A
22	Fan	1	<a href="#">H-4709-FAN</a>	1115-520007-00
23	Screw – M5 x 10	2	<a href="#">H-4709-22</a>	0000-000616-00
24	Flat Washer	2	<a href="#">H-4709-FW</a>	0000-000194-00
25	Nut	2	<a href="#">H-4709-NUT2</a>	0000-000196-00
26	Washer	4	<a href="#">H-4709-206</a>	0000-000206-00
27	O-Ring	4	<a href="#">H-7505-ORING</a>	0000-001133-00
28	Emergency Stop Switch (Use #17)	1	-----	1115-520011-00
29	Charger Bracket (Used from 8-15-2012)	2	-----	1115-500009-00
30	LED Socket	1	<a href="#">H-4709SOCKET</a>	1115-510009-00
31	Flat Washer	4	<a href="#">H-4709-FW128</a>	0000-000128-00
32	O-Ring	2	-----	0000-001134-00
33a	BDI Wire Harness (Used up to Serial # 431101787)	1	<a href="#">H-4709-BDIQ</a>	1115-520005-0A
33c	BDI Wire Harness (Used from Serial # 431101787)	1	<a href="#">H-4709-BDI</a>	1115-520005-20
34	Switch, Button Only	1	<a href="#">H-4709BUTTNQ</a>	1115-510008-10
35	Ground Wire (Used from Serial # 426191250)	1	-----	1115-520021-00
36	Horn Wire Harness (Used from Serial # 4281403798)	1	<a href="#">H-4709-HWH</a>	1115-0000LB-LD
37	Screw – M6 x 12	1	-----	2028-000001-07

**ULINE** H-4709  
**BIG JOE® ELECTRIC**  
**PALLET TRUCK – 3,000 LB**

1-800-295-5510  
uline.com

WIRING CABLES



**ULINE** H-4709  
**BIG JOE® ELECTRIC**  
**PALLET TRUCK – 3,000 LB**

1-800-295-5510  
 uline.com

WIRING CABLES PARTS LIST

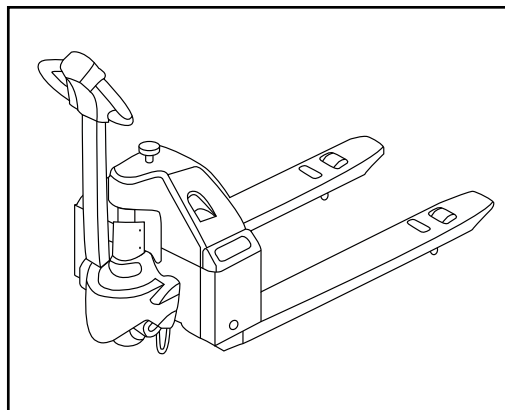
#	DESCRIPTION	QTY.	ULINE PART NO.	MFG. PART NO.
1	Battery Connector Cable	1	<a href="#">H-4709-BCC</a>	1115-530008-00
2a	Battery Cable (+)	1	-----	1115-530007-00
2b	Battery Cable (+)	1	<a href="#">H-4709-BC+</a>	1115-530007-10
3	M2 Cable	1	-----	1115-530004-00
4	M1 Cable	1	-----	1115-530003-00
5	B Cable (+)	1	<a href="#">H-4709-BPOS</a>	1115-530001-00
6	B Cable (-)	1	<a href="#">H-4709-BNEG</a>	1115-530002-00
7a	P Cable (-)	1	-----	1115-530006-00
7b	P Cable (-)	1	<a href="#">H-4709-006</a>	1115-530006-10
8	P Cable (+)	1	<a href="#">H-4709-005</a>	1115-530005-00
9	12 V AGM Battery	2	<a href="#">H-5032</a>	003250
10a	EPE Block	2	-----	1115-100001-00
10b	EPE Block	2	-----	1115-100004-F0
11	Screw	2	-----	0000-000646-00
12	Terminal Block	1	<a href="#">H-4709-TBLCK</a>	1115-231000-00
13	Nut	2	-----	0000-000108-00
14	Washer	2	-----	0000-000056-00
15	Flat Washer	2	-----	0000-000380-00
16	Screw	2	<a href="#">H-4709-004</a>	0000-000004-00
17	Bolt	4	-----	0000-000277-00
18	Lock Washer	4	<a href="#">H-4709-LW159</a>	0000-000159-00
19	Washer	4	<a href="#">H-4709-176</a>	0000-000176-00
20	C3 Cable	1	<a href="#">H-4709-C3CBL</a>	1115-530009-00
21a	EPE Block	2	-----	1115-100002-00
21b	EPE Block II	2	<a href="#">H-4709-EPE</a>	1115-160000-F0
21c	EPE Block III	2	-----	1115-100003-00
22a	Rubber Cushion	4	-----	2112-410005-00
22b	Rubber Blanket	2	-----	1115-100005-00
23	Nut	2	<a href="#">H-4709-NUTI</a>	0000-000550-00
24	Hex Head Cap Screw – M8 x 45 mm	2	<a href="#">H-4709-700</a>	0000-000917-00
25	Temperature Sensor Patch	1	-----	1115-520020-00
	Drive Wire Harness (Not Shown)	1	<a href="#">H-4709-M2MIC</a>	1115-520002-0B

**ULINE** H-4709

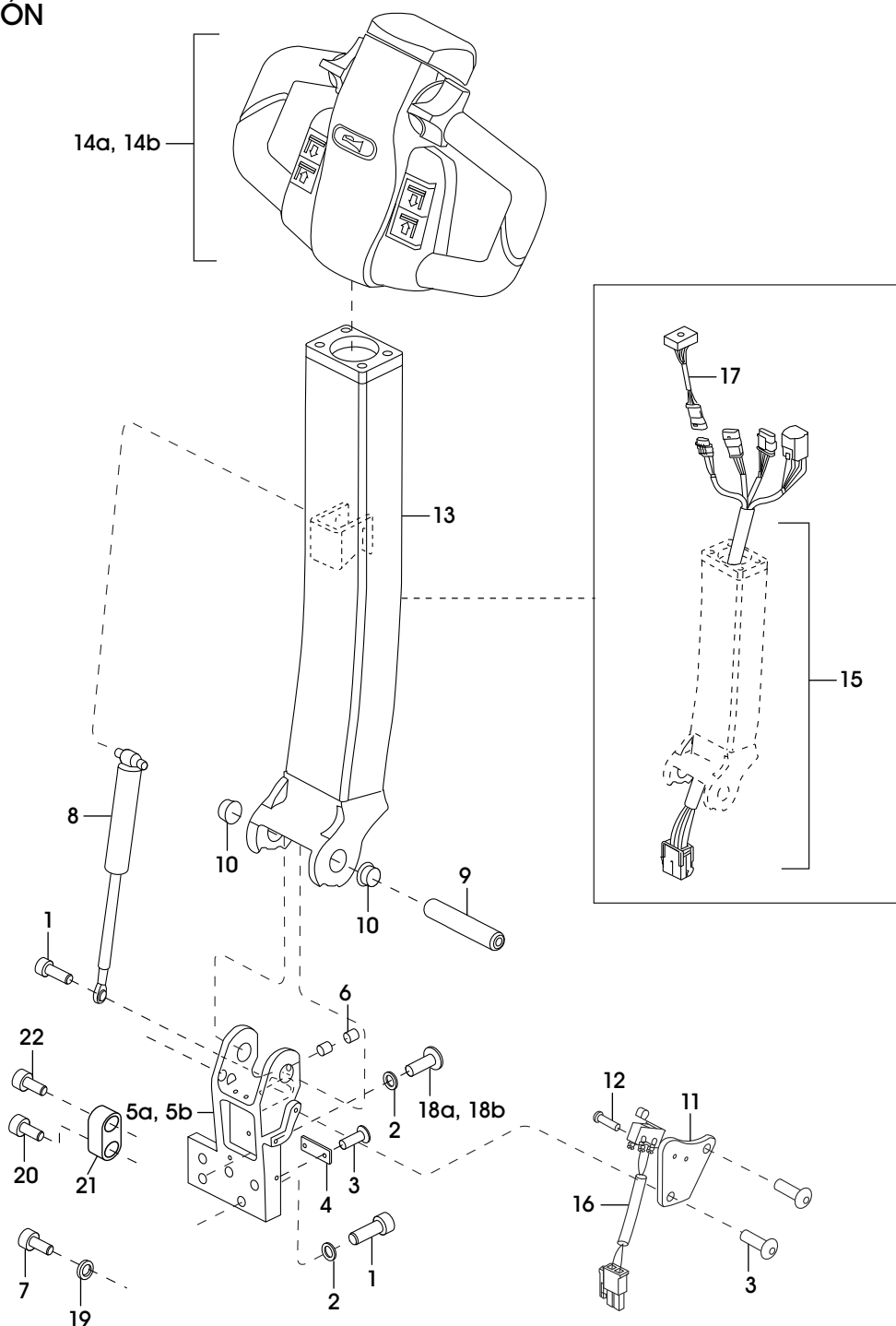
# BIG JOE® PATÍN HIDRÁULICO ELÉCTRICO – 3,000 LB

800-295-5510

uline.mx



## BRAZO DE DIRECCIÓN



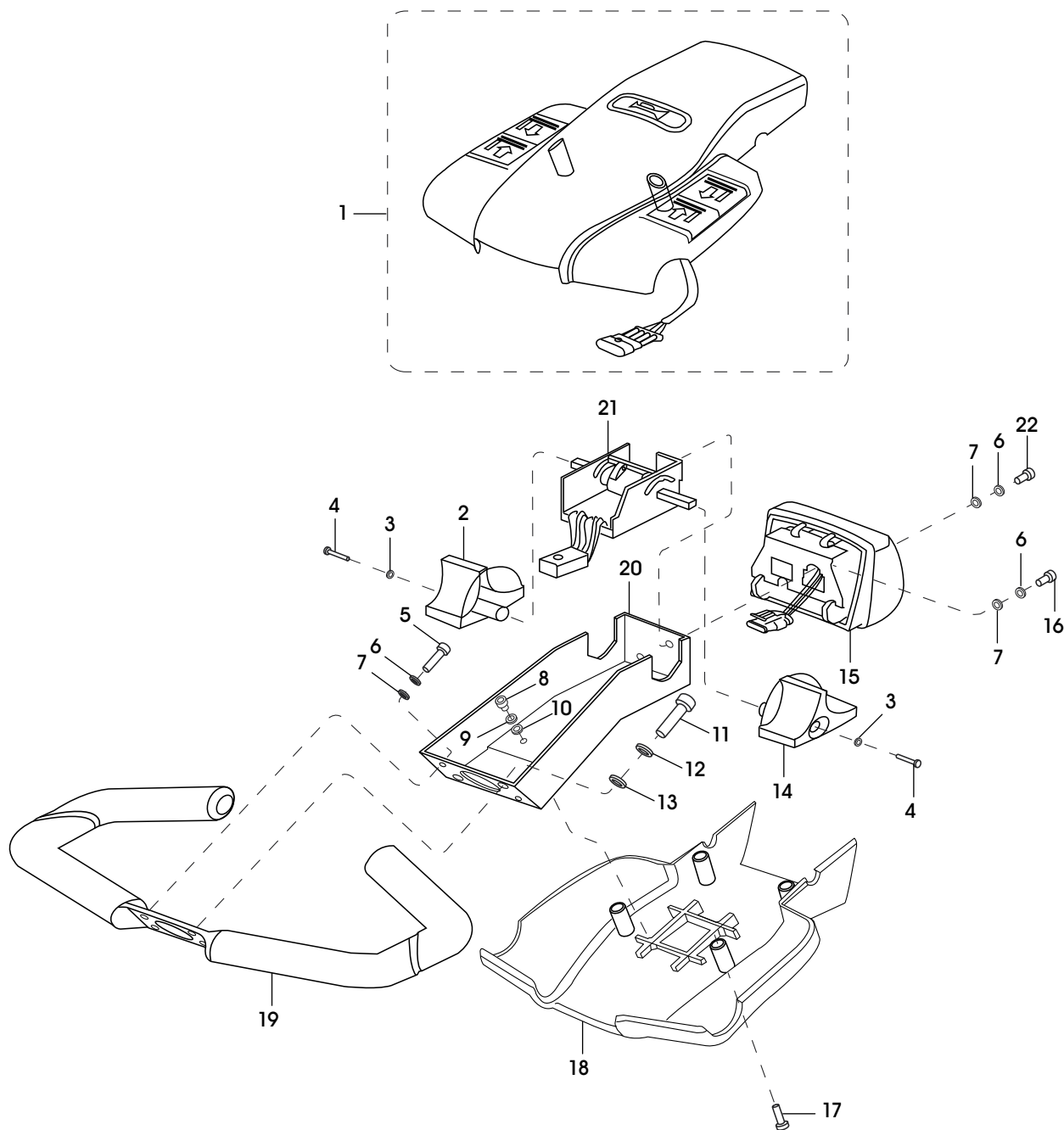
## LISTA DE PARTES DEL BRAZO DE DIRECCIÓN

#	DESCRIPCIÓN	CANT.	NO. DE PARTE DE ULINE	NO. DE PARTE DEL FABRICANTE
1	Tornillo	4	<a href="#">H-4709-SC322</a>	0000-000322-00
2	Rondana de Seguridad	5	<a href="#">H-4709-LW159</a>	0000-000159-00
3	Tornillo	4	<a href="#">H-4709-3</a>	0000-000651-00
4	Tornillo (Utilizado hasta el No. de Serie E2319735)	1	-----	1115-500004-00
5a	Soporte (Utilizado hasta el No. de Serie E2219053) (Reemplaza a 1115-3000001-00)	1	<a href="#">H-4709-5</a>	1115-300001-0A
5b	Soporte (Utilizado desde el No. de Serie E2219054)	1	<a href="#">H-4709-BRCKT</a>	1115-300001-0C
6	Tornillo, M6 x 6 (Tornillo de Fijación)	2	<a href="#">H-4709-M6X6</a>	0000-001019-00
7	Placa (Utilizada hasta el No. de Serie E2219053)	1	<a href="#">H-4709-7</a>	0000-000030-00
8	Pistón	1	<a href="#">H-5020</a>	1120-320000-00
9	Clavija Giratoria del Asa	1	<a href="#">H-4709-9</a>	1115-300002-00
10	Casquillo	2	<a href="#">H-4709BUSHNG</a>	0000-000677-00
11	Soporte	1	<a href="#">H-4709-11</a>	1115-500001-00
12	Tornillo M2 x 12 ST	2	<a href="#">H-4709-M2X12</a>	0000-000989-00
13	Ensamble del Brazo del Mango	1	<a href="#">H-4709-HNDL</a>	1115-310000-00
14a	Ensamble del Cabezal de Control (Utilizado hasta el No. de Serie 427102394)	1	<a href="#">H-4709CONTRL</a>	1115-320000-00
14b	Ensamble del Cabezal de Control (Utilizado desde el No. de Serie 427102395)	1	<a href="#">H-4709-HEAD</a>	1115-340000-00-70
15	Arnés de Cableado del Brazo de Dirección	1	<a href="#">H-4709WHRNS</a>	1115-520010-00
16	Ensamble del Interruptor "Hombre Muerto" con Arnés de Cableado	1	<a href="#">H-4709SWASMB</a>	1115-520009-0A
17	Arnés de Cableado del Potenciómetro	1	<a href="#">H-4709WREHRN</a>	1115-520017-00
18a	Tornillo (Utilizado hasta el No. de Serie 426193482)	2	<a href="#">H-4709-SC912</a>	0000-000912-00
18b	Tornillo (Utilizado hasta el No. de Serie E2219053)	2	<a href="#">H-4710-M8X25</a>	0000-000151-00
19	Rondana (Utilizada hasta el No. de Serie E2219053)	1	<a href="#">H-4709-19</a>	0000-000063-00
20	Tornillo M8 x 20 (Utilizado desde el No. de Serie E2219054)	1	<a href="#">H-4709-SC101</a>	0000-001101-00
21	Bloque de Proximidad (Utilizado desde el No. de Serie E2219054)	1	<a href="#">H-4709-BLOCK</a>	1115-300003-00
22	Tornillo (Utilizado desde el No. de Serie E2219054)	1	<a href="#">H-4709-SC004</a>	1115-300004-00
	Soporte del Arnés de Cableado de Impulso (No Se Muestra)	1	<a href="#">H-4709DHRNSS</a>	1115-520002-1F
	Arnés de Cableado Principal (No Se Muestra)	1	<a href="#">H-4709WIREH</a>	1115-520001-0C

**ULINE H-4709**  
**BIG JOE® PATÍN HIDRÁULICO**  
**ELÉCTRICO – 3,000 LB**

800-295-5510  
uline.mx

CABEZAL DE CONTROL  
(HASTA EL NO. DE SERIE 427102394)



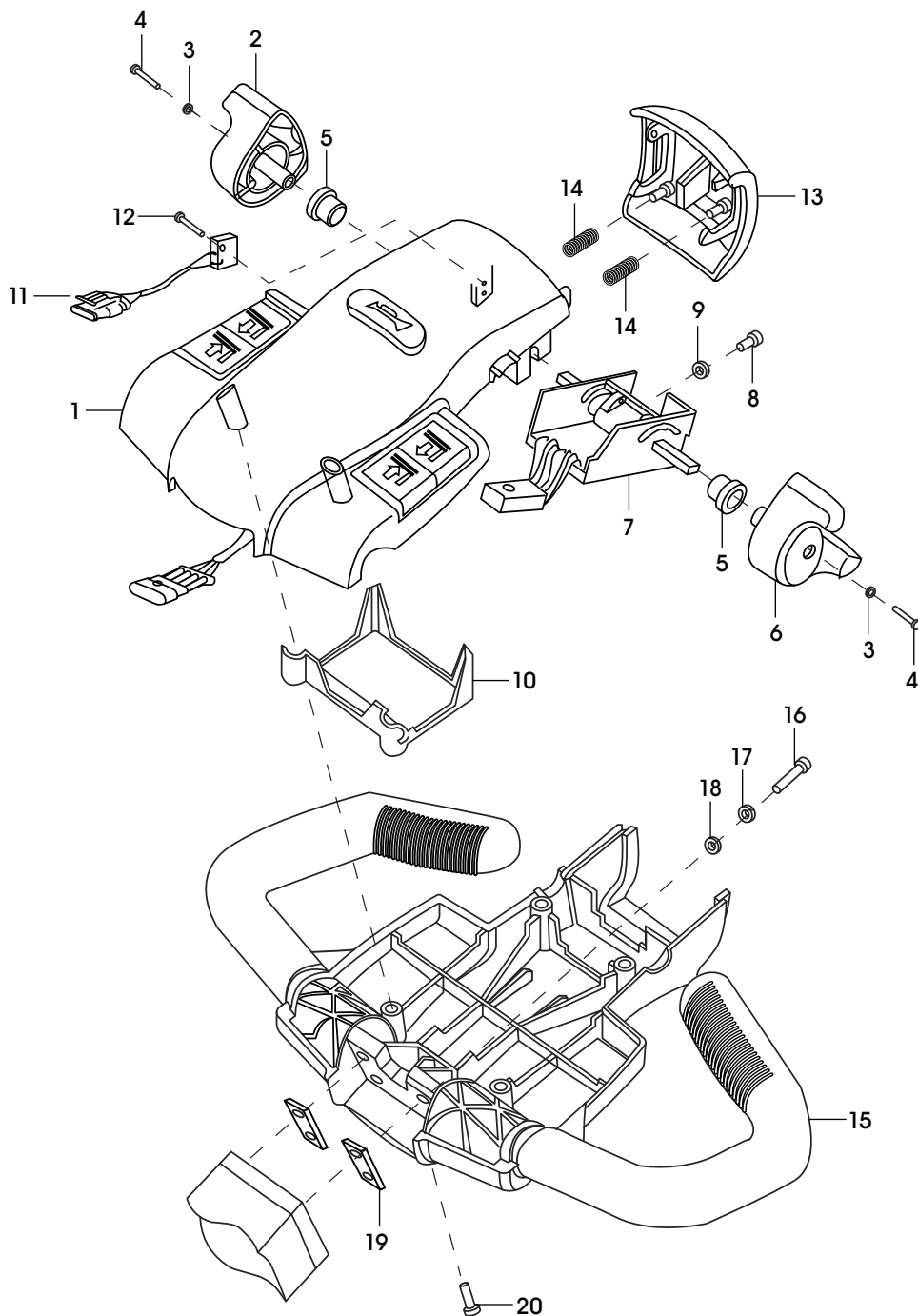
**LISTA DE PARTES DEL CABEZAL DE CONTROL  
(HASTA EL NO. DE SERIE 427102394)**

#	DESCRIPCIÓN	CANT.	NO. DE PARTE DE ULINE	NO. DE PARTE DEL FABRICANTE
1	Ensamble de la Cubierta para el Cabezal de Control con Cableado	1	<a href="#">H-4709-21</a>	1120-342000-00-B
2	Perilla de Control del Lado Derecho	1	<a href="#">H-5030</a>	1120-340005-00
3	Rondana	2	<a href="#">H-4709-LW038</a>	0000-000038-00
4	Tornillo M3 x 12	2	<a href="#">H-4709-SC037</a>	0000-000037-00
5	Tornillo	2	<a href="#">H-4709-004</a>	0000-000004-00
6	Rondana	4	<a href="#">H-4709-206</a>	0000-000206-00
7	Rondana Plana	4	<a href="#">H-4709-390</a>	0000-000390-00
8	Tornillo	2	<a href="#">H-4710-M4X8</a>	0000-000088-00
9	Rondana de Bloqueo 04	2	<a href="#">H-7505-WASH4</a>	0000-000122-00
10	Rondana Plana 04	2	<a href="#">H-7505-FW4</a>	0000-000702-00
11	Tornillo	2	<a href="#">H-4709-SC322</a>	0000-000322-00
12	Rondana de Seguridad	2	<a href="#">H-4709-LW159</a>	0000-000159-00
13	Rondana	2	<a href="#">H-4709-176</a>	0000-000176-00
14	Perilla de Control del Lado Izquierdo	1	<a href="#">H-5029</a>	1120-34003-00
15	Ensamble de la Cubierta para el Interruptor de Botón con Arnés de Cableado (Hasta la Serie No. 4271023954)	1	<a href="#">H-4778</a>	1115-343000-00-B
15a	Ensamble de la Cubierta para el Interruptor de Botón con Arnés de Cableado (Desde la Serie No. 427102395)	1	<a href="#">H-4710-COVER</a>	1115-340003-00
16	Tornillo	1	<a href="#">H-4709-004</a>	0000-000004-00
17	Tornillo	4	<a href="#">H-4710-M5X20</a>	0000-000035-00
18	Cubierta	1	<a href="#">H-4710-HAND</a>	1120-340002-00
19	Asa	1	<a href="#">H-4710-HN341</a>	1120-341000-00
20	Soporte del Conector	1	<a href="#">H-4709-CB</a>	1120-340001-00
21	Acelerador (Reemplazado por 1120-340004-00-01)	1	<a href="#">H-5028</a>	1120-520008-0C
22	Tornillo	1	<a href="#">H-4710-6MMQ</a>	0000-000010-00

**ULINE H-4709**  
**BIG JOE® PATÍN HIDRÁULICO**  
**ELÉCTRICO – 3,000 LB**

800-295-5510  
uline.mx

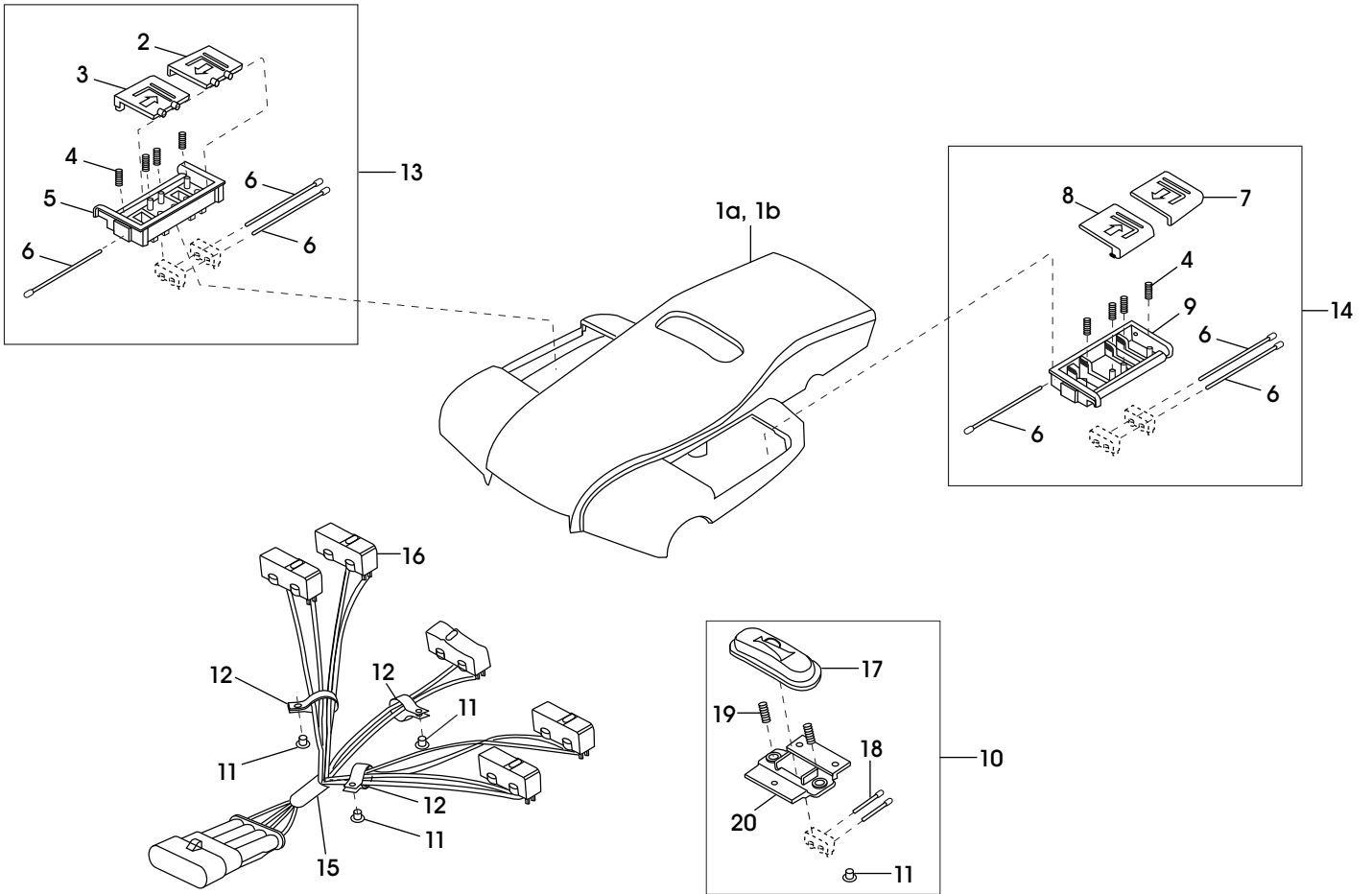
**CABEZAL DE CONTROL**  
**(DESDE EL NO. DE SERIE 427102395)**



**LISTA DE PARTES DEL CABEZAL DE CONTROL  
(HASTA EL NO. DE SERIE 427102395)**

#	DESCRIPCIÓN	CANT.	NO. DE PARTE DE ULINE	NO. DE PARTE DEL FABRICANTE
1	Ensamble de la Tapa con Arnés	1	<a href="#">H-4710-CAPAS</a>	1115-341000-00-10
2	Perilla de Control del Lado Derecho	1	<a href="#">H-4710-RCK</a>	1115-340005-00
3	Rondana	2	<a href="#">H-4709-LW038</a>	0000-000038-00
4	Tornillo M3 x 12	2	<a href="#">H-4709-SC037</a>	0000-000037-00
5	Casquillo	2	-----	1115-340006-00
6	Perilla de Control del Lado Izquierdo	1	<a href="#">H-4710-LCK</a>	1115-340004-00
7	Potenciómetro del Acelerador	1	<a href="#">H-5028</a>	1220-520008-0C
8	Perno	1	-----	0000-000323-00
9	Rondana Plana	1	<a href="#">H-4709-390</a>	0000-000390-00
10	Cubierta del Arnés de Cableado	1	-----	1115-340007-00
11	Cable para Interruptor de Reversa	1	<a href="#">H-4709-0410</a>	1115-52004-10
12	Tornillo M2 x 12 ST	2	<a href="#">H-4709-M2X12</a>	0000-000989-00
13	Cubierta, Interruptor de Botón	1	<a href="#">H-4710-COVER</a>	1115-340003-00
14	Resorte	2	<a href="#">H-4710-0004</a>	1121-310004-00
15	Cubierta de la Parte Inferior con Agarre (sin orificio)	1	<a href="#">H-4710-HAND</a>	1115-340002-00
16	Tornillo	4	<a href="#">H-4709-SC322</a>	0000-000322-00
17	Rondana de Seguridad	4	<a href="#">H-4709-LW159</a>	0000-000159-00
18	Rondana	4	<a href="#">H-4709-176</a>	0000-000176-00
19	Rondana	2	<a href="#">H-4709-WCHA</a>	1115-340001-00
20	Tornillo	4	<a href="#">H-4710-M5X20</a>	0000-000035-00

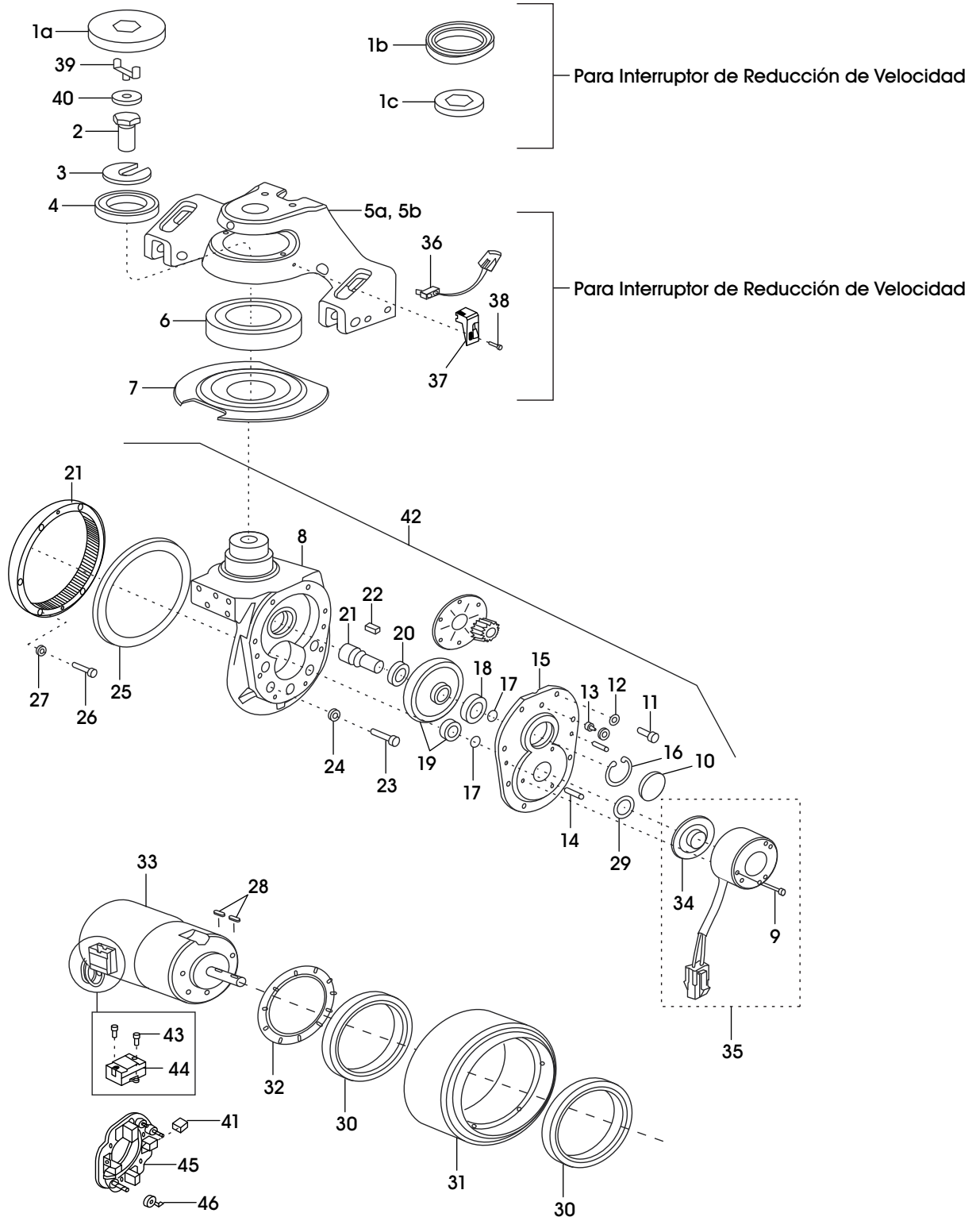
CUBIERTAS DEL CABEZAL DE CONTROL



**LISTA DE PARTES DE LA CUBIERTA DEL CABEZAL DE CONTROL**

#	DESCRIPCIÓN	CANT.	NO. DE PARTE DE ULINE	NO. DE PARTE DEL FABRICANTE
1a	Cubierta (Utilizada hasta el No. de Serie 427102394)	1	<a href="#">H-4710-UPC</a>	1120-342001-00
1b	Cubierta (Utilizada desde el No. de Serie 427102395)	1	<a href="#">H-4709-1BQ</a>	1115-341001-00
2	Botón de Elevación (Lado Derecho)	1	<a href="#">H-5023</a>	1120-342203-00
3	Botón de Descenso (Lado Derecho)	1	<a href="#">H-5024</a>	1120-342202-00
4	Resorte	8	<a href="#">H-5025</a>	1120-342102-00
5	Soporte del Botón (Lado Derecho)	1	-----	1120-342201-00
6	Pasador	6	<a href="#">H-4710-CPINQ</a>	1120-342105-00
7	Botón de Elevación (Lado Izquierdo)	1	<a href="#">H-5026</a>	1120-342104-00
8	Botón de Descenso (Lado Izquierdo)	1	<a href="#">H-5027</a>	1120-342103-00
9	Soporte del Botón (Lado Izquierdo)	1	-----	1120-342101-00
10	Ensamble del Botón del Claxon Incluye: • 1 Tornillo #11 • 1 Botón del Claxon #17 • 2 Clavijas #18 • 2 Resortes #19	1	<a href="#">H-4709-HRNBQ</a>	1120-342300-00
11	Tornillo	6	-----	0000-000039-00
12	Abrazadera de Línea	3	<a href="#">H-4710-LCLMQ</a>	0000-000490-00
13	Ensamble de la Caja del Interruptor de Elevación/ Descenso (Lado Derecho) (Interruptores no incluidos) Incluye: • 1 Botón de Elevación (Lado Derecho) #2 • 1 Botón de Descenso (Lado Derecho) #3 • 4 Resortes #4 • 1 Soporte de Botón (Lado Derecho) #5 • 3 Clavijas #6	1	<a href="#">H-5022</a>	1120-342200-00
14	Caja del Interruptor de Elevación/Descenso (Izquierdo) (Interruptores no incluidos) Incluye: • 1 Botón de Elevación (Lado Izquierdo) #7 • 1 Botón de Descenso (Lado Izquierdo) #3 • 4 Resortes #4 • 1 Soporte de Botón (Lado Izquierdo) #9 • 3 Clavijas #6	1	<a href="#">H-5021</a>	1120-342100-00
15	Ensamble del Microinterruptor del Cabezal de Control y el Arnés	1	<a href="#">H-4709-CHSHQ</a>	1220-52006-0C
16	Interruptor	5	<a href="#">H-4709-MSWQ</a>	1220-560002-00
17	Botón del Claxon	1	-----	1120-342002-00
18	Pasador	2	-----	1120-342005-00
19	Resorte	2	-----	1120-342003-00
20	Soporte del Botón	1	-----	1120-342004-00

**CUBIERTA DE LA TRANSMISIÓN / FRENO DEL MOTOR  
(HASTA EL NO. DE SERIE 426150000)**



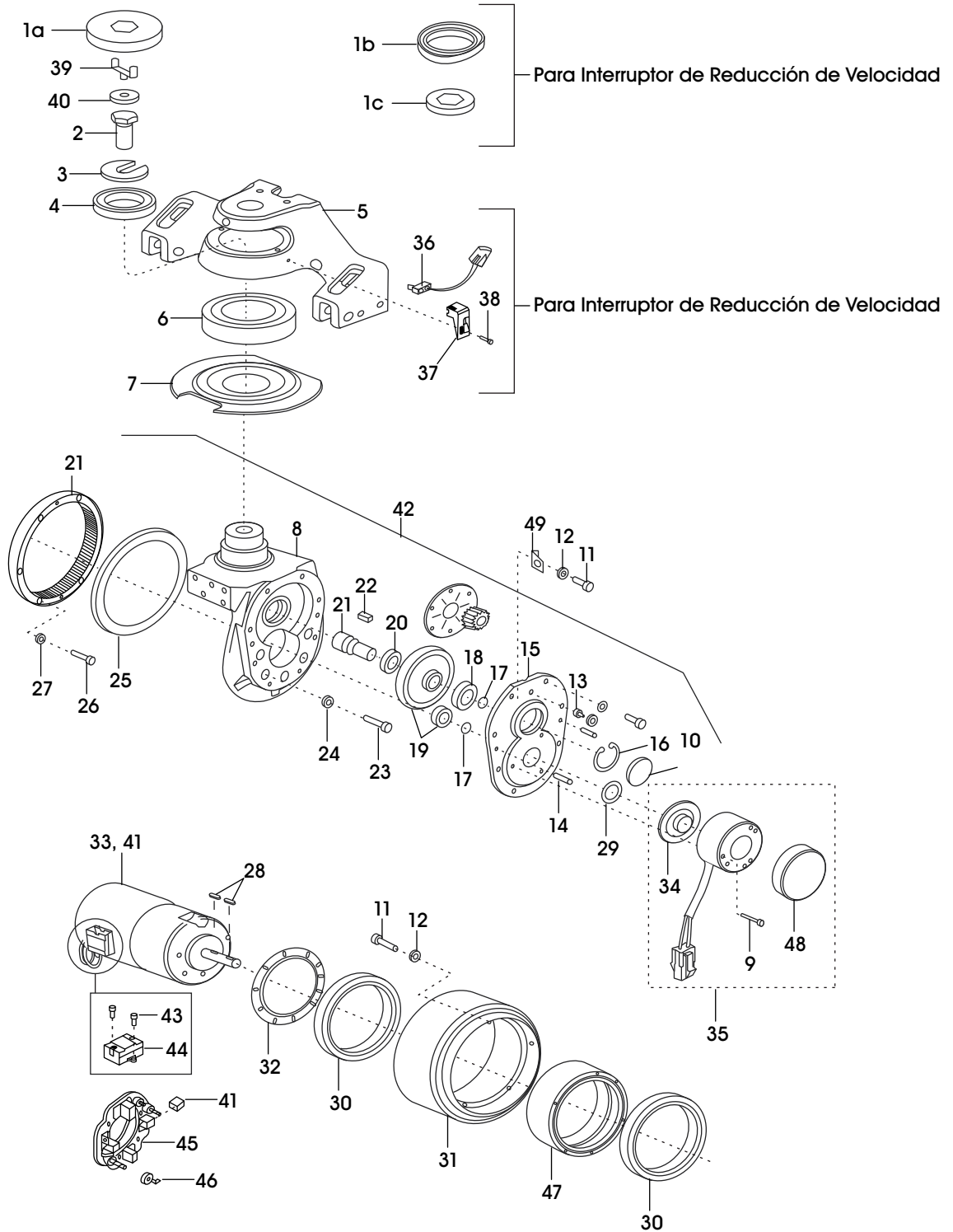
**LISTA DE PARTES DE LA CUBIERTA DE LA TRANSMISIÓN / FRENO DEL MOTOR  
(HASTA EL NO. DE SERIE 426150000)**

#	DESCRIPCIÓN	CANT.	NO. DE PARTE DE ULINE	NO. DE PARTE DEL FABRICANTE
1a	Rondana de Caucho (Utilizada hasta el 24-10-2012)	1	-----	1115-200012-00
1b	Guía (Opcional si el patín cuenta con Interruptor de Reducción de Velocidad)	1	-----	1115-700002-00
1c	Pieza para Conexión (Opcional si el patín cuenta con Interruptor de Reducción de Velocidad)	1	-----	1115-700003-00
2	Perno	1	<a href="#">H-4709-0011</a>	1115-200011-00
3	Placa	1	<a href="#">H-4709-PLATE</a>	1115-200009-0A
4	Balero	1	<a href="#">H-4709-BEAR</a>	0000-000657-00
5a	Puente de Carga (Utilizado hasta el No. de Serie E2116209)	1	-----	1115-200008-00
5b	Puente de Carga (Utilizado desde el No. de Serie E2116210)	1	-----	1115-200008-0B
6	Balero	1	<a href="#">H-4709-0668</a>	0000-000668-00
7	Placa Redonda de Cubierta	1	<a href="#">H-4709-RCP</a>	1115-200006-0A
8	Mecanismo	1	<a href="#">H-4709-GEAR</a>	1115-210001-0A
9	Tornillo	3	-----	0000-000665-00
10	Cubierta de la Transmisión	1	-----	1115-200007-00
11	Tornillo	8	<a href="#">H-4709-SC386</a>	0000-000386-00
12	Rondana	8	-----	0000-000056-00
13	Engrasador	1	<a href="#">H-4709-GRSFQ</a>	0000-000013-00
14	Pasador	2	-----	0000-000704-00
15	Cubierta del Mecanismo	1	<a href="#">H-4709-GCVR</a>	1115-200001-00
16	Clip	1	-----	0000-000658-00
17	Clip	2	<a href="#">H-4709-CM15</a>	0000-000659-00
18	Balero	1	<a href="#">H-4709-BR619</a>	0000-000667-00
19	Set de Engrane en Espiral (Incluye Dos Engranes)	1	<a href="#">H-4709-GK10</a>	1115-GSX-10
20	Balero	1	<a href="#">H-4709-BR680</a>	0000-000680-00
21	Set de Engrane en Espiral (Incluye Dos Engranes)	1	<a href="#">H-4709-GK20</a>	1115-GSX-20
22	Llave	1	<a href="#">H-4709-KY660</a>	0000-000660-00
23	Tornillo (Utilizado hasta el 05-08-2012)	5	-----	0000-000154-00
23	Tornillo (Utilizado hasta el 05-09-2012)	5	<a href="#">H-4709-23</a>	0000-000026-00
24	Rondana de Seguridad	5	<a href="#">H-4709-LW159</a>	0000-000159-00
25	Sello para Aceite	1	<a href="#">H-4709-OSEAL</a>	0000-000670-00
26	Tornillo	6	<a href="#">H-4709-SC661</a>	0000-000661-00
27	Rondana	6	<a href="#">H-4709-206</a>	0000-000206-00
28	Chavetero	2	<a href="#">H-4709-KEY</a>	0000-000662-00
29	Sello para Aceite	1	<a href="#">H-4709-29</a>	0000-000671-00
30	Balero	2	<a href="#">H-4709-61824</a>	0000-000663-00
31	Llanta de Transmisión – 1a. Generación	1	<a href="#">H-4709DW</a>	1115-220000-00

**CONTINUACIÓN DE LISTA DE PARTES DE LA CUBIERTA DE LA TRANSMISIÓN/FRENO DEL MOTOR  
(HASTA EL NO. DE SERIE 426150000)**

#	DESCRIPCIÓN	CANT.	NO. DE PARTE DE ULINE	NO. DE PARTE DEL FABRICANTE
32	Deflector de Transmisión	1	<a href="#">H-4709-BAFFL</a>	1115-200010-00
33	Motor de Transmisión (Reemplazado por 1115-250000-00)	1	-----	1115-230000-00
33	Motor de Transmisión	1	<a href="#">H-4709-DMTR</a>	1115-250000-00
34	Disco de Freno	1	-----	1115-240001-00
35	Ensamble del Freno (Reemplazado por 1115-520012-0A) Incluye • 1 Tornillo #9 • 1 Disco de Freno #34	1	<a href="#">H-4709BASSY</a>	1115-520012-00
36	Interruptor de Reducción de Velocidad y Arnés (Solo si el patín cuenta con interruptor de reducción de velocidad)	1	<a href="#">H-4709-SRSQ</a>	1115-520018-00
37	Base de Instalación (Solo si el patín cuenta con interruptor de reducción de velocidad)	1	-----	1115-700001-00
38	Tornillo M4 x 10 (Solo si el patín cuenta con interruptor de reducción de velocidad)	2	-----	0000-000701-00
39	Guía para Cable (Utilizada desde el 25-10-2012)	1	<a href="#">H-4709-WRGD</a>	1115-500012-00
40	Rondana Plana M8	1	<a href="#">H-4709-M8FWS</a>	0000-001007-00
41	Cepillo para Motor de Transmisión (Se Vende Individualmente)	4	<a href="#">H-4709-BRSHQ</a>	1115-230001-00
41	Cepillo para Motor de Transmisión (Utilizado desde el 05-09-2012)	4	-----	1115-250001-00
42	Ensamble de la Unidad de Transmisión Incluye: • 1 Ensamble de la Unidad de Transmisión • 1 Placa Redonda de Cubierta	1	<a href="#">H-4709-DUA</a>	1115-200000-00
43	Tornillo	2	<a href="#">H-4709-004</a>	0000-000004-00
44	Recuadro de Terminales	1	<a href="#">H-4709-TBLCK</a>	1115-231000-00
45	Portacepillo (Utilizado desde el 05-09-2012)	1	-----	1115-250003-00
46	Resorte – Cepillo del Motor (Utilizado desde el 06-09-2012)	4	-----	1115-250002-00
	Guía (No Se Muestra) (Opcional si el patín cuenta con interruptor de reducción de velocidad)	1	-----	1115-700002-00
	Pieza para Conexión (No Se Muestra) (Opcional si el patín cuenta con interruptor de reducción de velocidad)	1	-----	1115-700003-00
	Abrazadera (No Se Muestra)	1	<a href="#">H-4709-TNKCL</a>	1115-560018-00
	Placa de la Cubierta (No Se Muestra)	1	<a href="#">H-4709CPLATE</a>	115BG-500001-00

**CUBIERTA DE LA TRANSMISIÓN / FRENO DEL MOTOR  
(DESDE EL NO. DE SERIE 426150001)**



**CONTINUACIÓN DE LISTA DE PARTES DE LA CUBIERTA DE TRANSMISIÓN / FRENO DEL MOTOR  
(DESDE EL NO. DE SERIE 426150001)**

#	DESCRIPCIÓN	CANT.	NO. DE PARTE DE ULINE	NO. DE PARTE DEL FABRICANTE
1a	Rondana de Caucho (Utilizada hasta el 24-10-2012)	1	-----	1115-200012-00
1b	Guía (Opcional si el patín cuenta con Interruptor de Reducción de Velocidad)	1	-----	1115-700002-00
1c	Pieza para Conexión (Opcional si el patín cuenta con Interruptor de Reducción de Velocidad)	1	-----	1115-700003-00
2	Perno	1	<a href="#">H-4709-0011</a>	1115-200011-00
3	Placa	1	<a href="#">H-4709-PLATE</a>	1115-200009-0A
4	Balero	1	<a href="#">H-4709-BEAR</a>	0000-000657-00
5	Puente de Carga	1	-----	1115-200008-0B
6	Balero	1	<a href="#">H-4709-0668</a>	0000-000668-00
7a	Placa de Cubierta Redonda (Utilizado hasta el No. de Serie 4281002525)	1	<a href="#">H-4709-RCP</a>	1115-200006-0A
7b	Placa de Cubierta Redonda (Utilizado desde el No. de Serie 4281002525)	1	-----	1115-200006-10
8	Caja de Engranés	1	<a href="#">H-4709-GEAR</a>	1115-210001-0A
9	Tornillo (Utilizado hasta el No. de Serie 426200143)	3	-----	0000-000665-00
9	Tornillo M4 x 45 mm (Utilizado desde el No. de Serie 426200144)	3	<a href="#">H-7505-M4X45</a>	1115-240003-0A
10	Cubierta de la Transmisión	1	-----	1115-200007-00
11	Tornillo (Utilizado hasta el No. de Serie 427211547)	8	<a href="#">H-4709-SC386</a>	0000-000386-00
12	Rondana	8	-----	0000-000056-00
13	Engrasador	1	<a href="#">H-4709-GRSFQ</a>	0000-000013-00
14	Pasador	2	-----	0000-000704-00
15	Cubierta de la Caja de Engranés	1	<a href="#">H-4709-GCVR</a>	1115-200001-00
16	Clip	1	-----	0000-000658-00
17	Clip	2	<a href="#">H-4709-GK10</a>	0000-000659-00
18	Balero	1	<a href="#">H-4709-BR619</a>	0000-000667-00
19	Set de Engrane en Espiral (Incluye Dos Engranés)	1	<a href="#">H-4709-GK10</a>	1115-GSX-10
20	Balero	1	<a href="#">H-4709-BR680</a>	0000-000680-00
21	Set de Engrane en Espiral (Utilizada hasta el No. de Serie #427211547) (Incluye Dos Engranés)	1	<a href="#">H-4709-GK20</a>	1115-GSX-20
21	Set de Engrane en Espiral (Utilizada hasta el No. de Serie 427211548) (Incluye Dos Engranés)	1	<a href="#">H-4709-GK2A</a>	1115-GSX-2A
22	Llave del Ensamble del Freno	1	<a href="#">H-4709-KY660</a>	0000-000660-00
23	Tornillo	5	<a href="#">H-4709-23</a>	0000-000026-00
24	Rondana de Seguridad	5	<a href="#">H-4709-LW159</a>	0000-000159-00
25	Sello para Aceite	1	<a href="#">H-7505-OS</a>	0000-001788-00
26a	Tornillo Allen de Cabeza Cilíndrica M5 x 25 mm (Utilizado hasta el No. de Serie 4281205273)	6	<a href="#">H-4709-M5X25</a>	3020-010000-91
26b	Tornillo Allen de Cabeza Cilíndrica M5 x 25 mm (Utilizado desde el No. de Serie 4281205273)	6	<a href="#">H-4709-AHCS</a>	1115-200021-DO

**CONTINUACIÓN DE LISTA DE PARTES DE LA CUBIERTA DE TRANSMISIÓN / FRENO DEL MOTOR  
(DESDE EL NO. DE SERIE 426150001)**

#	DESCRIPCIÓN	CANT.	NO. DE PARTE DE ULINE	NO. DE PARTE DEL FABRICANTE
27	Rondana	6	<a href="#">H-4709-206</a>	0000-000206-00
28	Chavetero	2	<a href="#">H-4709-KEY</a>	0000-000662-00
29	Sello para Aceite	1	<a href="#">H-4709-29</a>	0000-000671-00
30	Balero	2	<a href="#">H-4709-61824</a>	0000-000663-00
31	Llanta de Transmisión – 3a.	1	<a href="#">H-4709-DW2</a>	1115-220000-D0
32	Deflector de Transmisión	1	<a href="#">H-4709-BAFFL</a>	1115-200010-00
33	Motor de Transmisión	1	<a href="#">H-4709-DMTR</a>	1115-250000-00
34	Disco de Freno	1	-----	1115-240001-00
35	Ensamble del Freno (Reemplazada por 1115-520012-0A) (Utilizado hasta el No. de Serie 426200143) Incluye: • 1 Tornillo #9 • 1 Disco de Freno #34 (1) • 1 Sello del Raspador #48 (1)	1	<a href="#">H-4709BASSY</a>	1115-520012-00
35	Ensamble del Freno (Utilizado desde el No. de Serie 426200144)	1	<a href="#">H-4709NBRK</a>	1115-520012-20
36	Interruptor de Reducción de Velocidad y Arnés (Opcional si el patín cuenta con interruptor de reducción de velocidad)	1	<a href="#">H-4709-SRSQ</a>	1115-520018-00
37	Base de Instalación (Opcional si el patín cuenta con interruptor de reducción de velocidad)	1	-----	1115-700001-00
38	Tornillo M4 x 10 (Opcional si el patín cuenta con interruptor de reducción de velocidad)	2	-----	0000-000701-00
39	Guía para Cable	1	<a href="#">H-4709-WRGD</a>	1115-500012-00
40	Rondana Plana M8	1	<a href="#">H-4709-M8FWS</a>	0000-001007-00
41	Cepillos, Motor de Transmisión	4	-----	1115-250001-00
42	<b>Ensamble de la Unidad de Transmisión</b> Incluye: • Motor • Llanta • BR (#8-35)	1	<a href="#">H-4709-GEAR</a>	1115-200000-A0
43	Tornillo	2	<a href="#">H-4709-004</a>	0000-000004-00
44	Recuadro de Terminales	1	<a href="#">H-4709-TBLCK</a>	1115-231000-00
45	Portacepillo	1	-----	1115-250003-00
46	Resorte – Cepillo del Motor	4	-----	1115-250002-00
47	Anillo Interior (Utilizado hasta el No. de Serie 4281205273) Incluye: • 1 Anillo Interior • 6 Tornillos – M5 x 30 mm • 6 Rondanas	1	<a href="#">H-4709-IR</a>	977021
47a	Anillo Interior (Utilizado desde el No. de Serie 4281205273)	1	<a href="#">H-4709-IRIM</a>	1115-200001-D0
48	Sello del Raspador (Utilizado desde el No. de Serie 426200144)	1	-----	1115-240002-0A
49	Placa (Utilizada desde el No. de Serie 427190827)	1	<a href="#">H-4709-BPLI</a>	1115-200020-00

**ULINE H-4709****BIG JOE® PATÍN HIDRÁULICO  
ELÉCTRICO – 3,000 LB**

800-295-5510

uline.mx

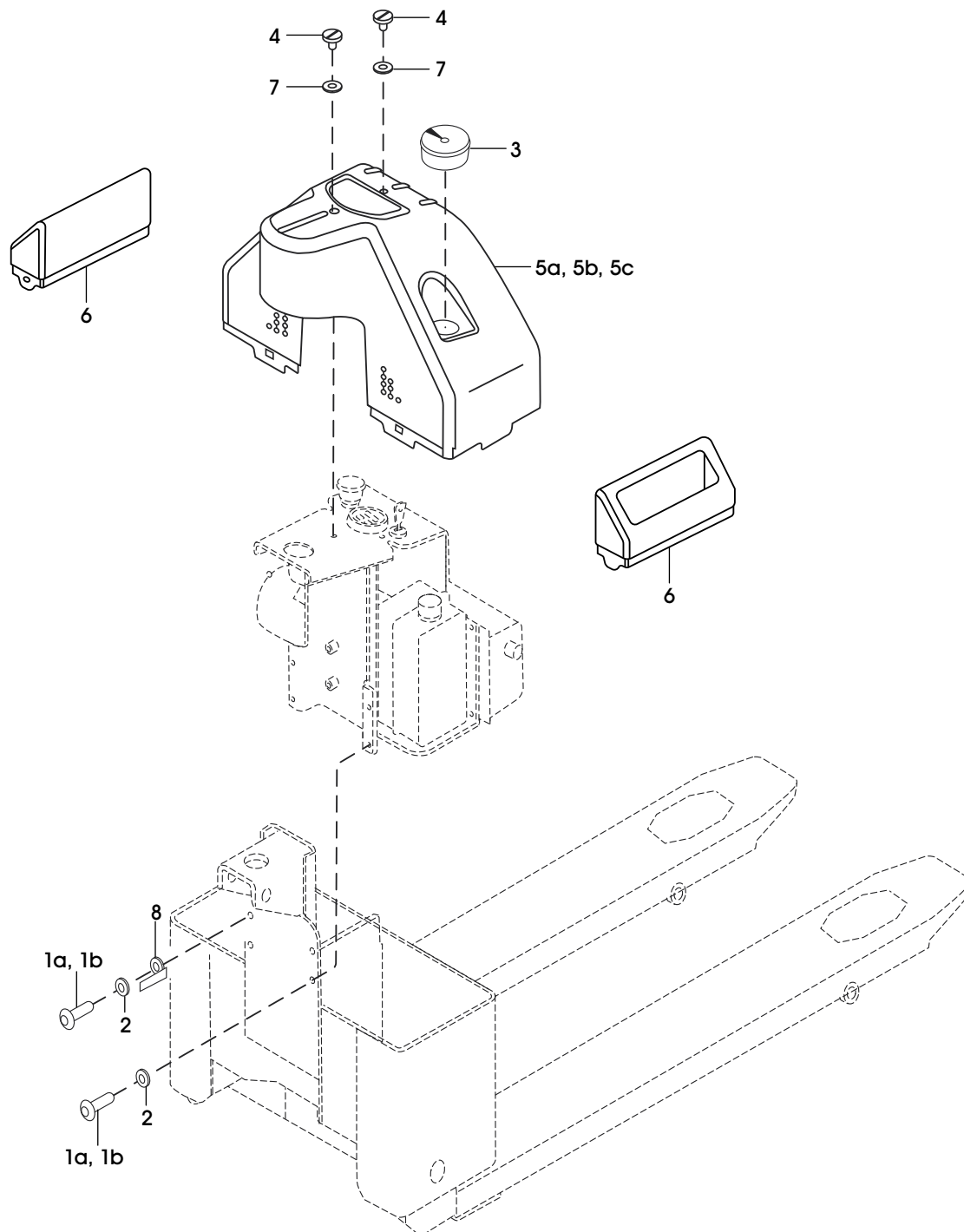
**CONTINUACIÓN DE LISTA DE PARTES DE LA CUBIERTA DE TRANSMISIÓN / FRENO DEL MOTOR  
(DESDE EL NO. DE SERIE 426150001)**

#	DESCRIPCIÓN	CANT.	NO. DE PARTE DE ULINE	NO. DE PARTE DEL FABRICANTE
	Pieza para Conexión (No Se Muestra) (Opcional si el patín cuenta con interruptor de reducción de velocidad)	1	-----	1115-700003-00
	Llanta de Transmisión, con Huellas (No Se Muestra) (Utilizada hasta el No. de Serie 427211547) (Para el No. de Serie 42615001 y mayor)	1	-----	1115-220000-B0
	Llanta de Transmisión, con Huellas (No Se Muestra) (Utilizada desde el No. de Serie 427211548)	1	<a href="#">H-7505-DRIVQ</a>	1115-220000-E0
	Ensamble del Freno (No Se Muestra) (Utilizado entre el No. de Serie 426200144 – 427190826)	1	<a href="#">H-4709BASSY</a>	1115-520012-0A
	Ensamble del Freno (No Se Muestra) (Utilizado entre el No. de Serie 426200144 – 427190827)	1	-----	1115-520012-10

**ULINE H-4709**  
**BIG JOE® PATÍN HIDRÁULICO**  
**ELÉCTRICO – 3,000 LB**

800-295-5510  
uline.mx

CUBIERTA DEL COMPARTIMENTO



**LISTA DE PARTES DE LA CUBIERTA DEL COMPARTIMENTO**

#	DESCRIPCIÓN	CANT.	NO. DE PARTE DE ULINE	NO. DE PARTE DEL FABRICANTE
1a	Tornillo (Utilizado hasta el 24-10-2012)	4	-----	0000-000179-00
1b	Tornillo (Utilizado desde el 25-10-2012)	4	<a href="#">H-4709-7700</a>	0000-000077-00
2	Rondana Plana	4	<a href="#">H-4709-M6WSH</a>	0000-000123-00
3	Tapa del Cargador	1	<a href="#">H-4709CAP</a>	1115-120002-00
4	Tornillo M6 x 25 (Utilizado hasta el No. de Serie 427153083)	2	<a href="#">H-4710-SCREW</a>	1120-150004-00
5a	Cubierta – Big Joe Amarillo	1	<a href="#">H-4709COVER</a>	1115-120001-00
5b	Cubierta – EP Rojo	1	-----	1115-120001-00-01
5c	Cubierta RAL 2008 Naranja	1	<a href="#">H-4709-02</a>	1115-120001-00-02
6	Cubierta (Reemplazada por 1115-120003-N0) (Utilizada hasta el No. de Serie 424191006)	2	-----	1115-120003-00
7	Rondana	2	<a href="#">H-4710-10WSH</a>	2214-150002-00
8	Abrazadera para Cable (Utilizada desde el 25-10-2012 en adelante)	1	-----	1115-500013-00
	E30 Bolsillo Lateral para Almacenamiento – Big Joe Amarillo (No Se Muestra) (Utilizado desde el No. de Serie 424191007)	2	<a href="#">H-4709SCOVER</a>	1115-120003-n0
	Cubiertas Laterales – Rojas (No Se Muestran) (Utilizados desde el No. de Serie 424191006)	2	-----	1115-120003-00-01
	E30 Bolsillo Lateral para Almacenamiento – Rojo (No Se Muestra) (Utilizado desde el No. de Serie 424191007)	2	-----	1115-120003-n0-01
	Cubierta (No Se Muestra) (Utilizada desde el No. de Serie 424191006)	2	-----	1115-120003-00-02
	Cubierta, Bolsillo para Almacenamiento RAL 2008 Naranja (No Se Muestra) (Utilizada desde el No. de Serie 424191007)	2	-----	1115-120003-n0-02
	Etiqueta para Instrucciones de Carga (No Se Muestra)	1	<a href="#">H-4709-DECAL</a>	901809

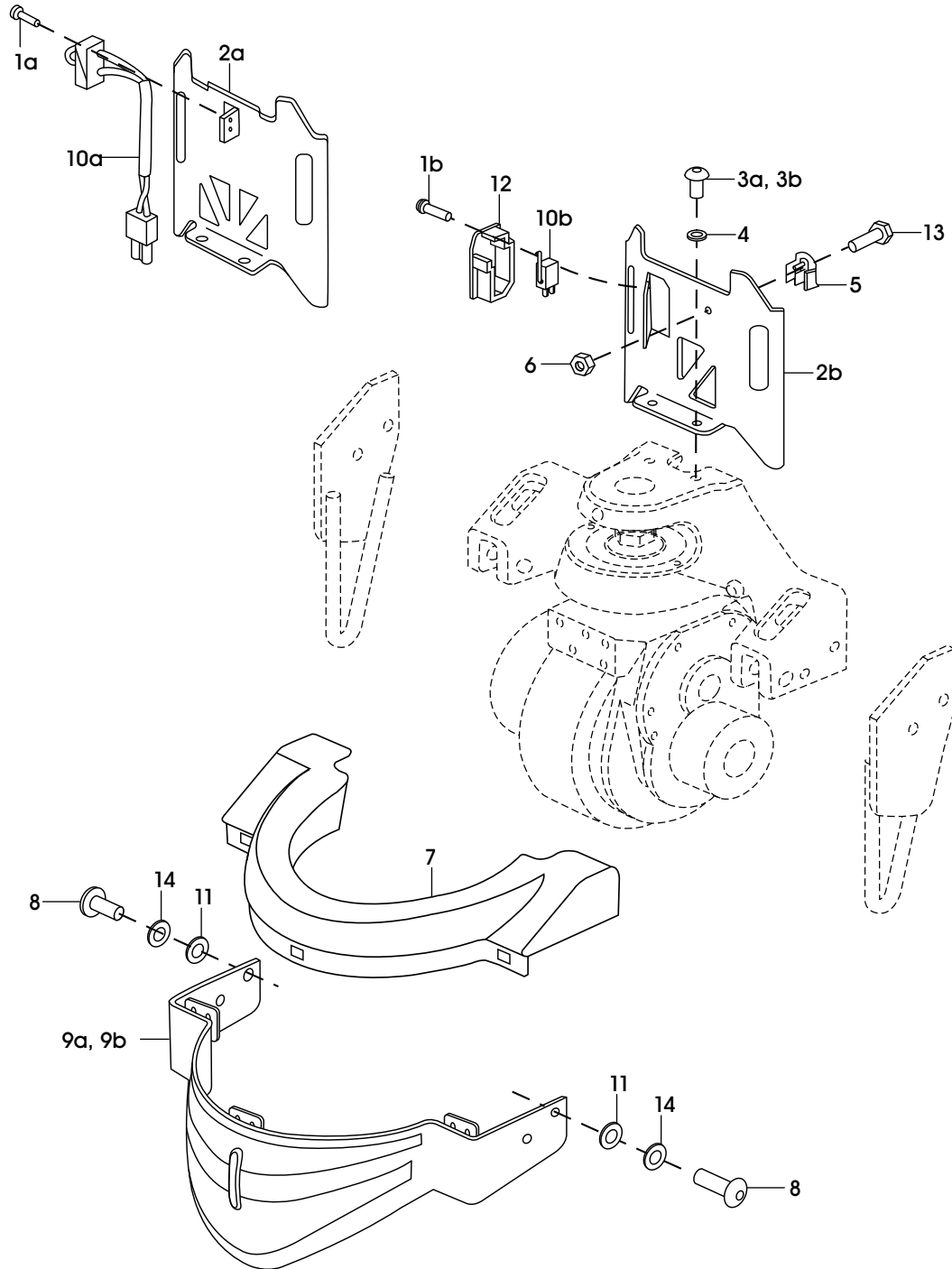
**ULINE** H-4709

**BIG JOE® PATÍN HIDRÁULICO  
ELÉCTRICO – 3,000 LB**

800-295-5510

uline.mx

COMPARTIMENTO  
(HASTA EL NÚMERO DE SERIE 427190907)



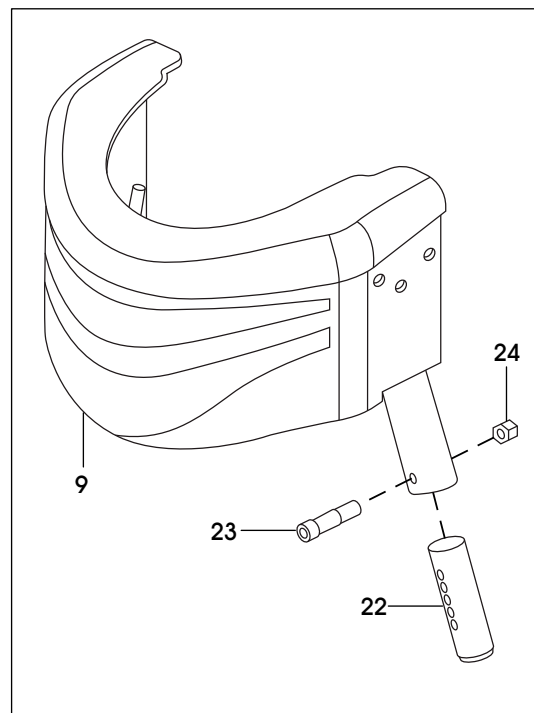
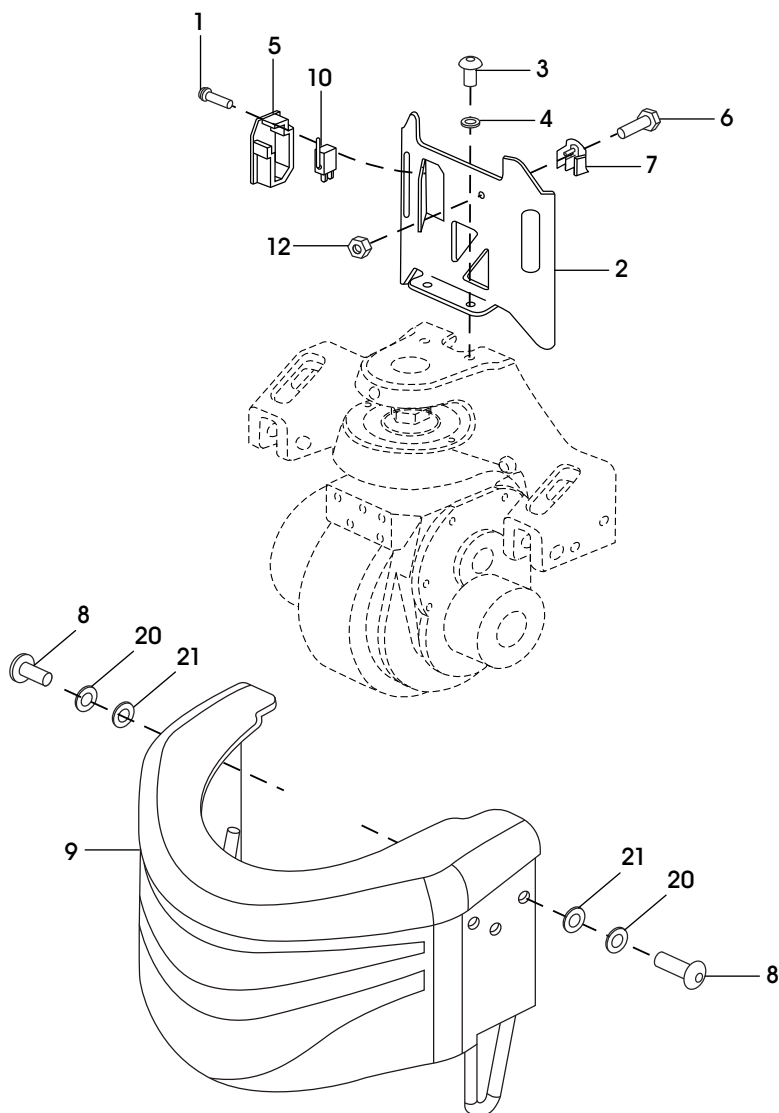
**LISTA DE PARTES DEL COMPARTIMENTO  
(HASTA EL NÚMERO DE SERIE 42719097)**

#	DESCRIPCIÓN	CANT.	NO. DE PARTE DE ULINE	NO. DE PARTE DEL FABRICANTE
1a	Tornillo M2 x 12 ST (Utilizado hasta el 21 el No. de Serie E2120047)	2	<a href="#">H-4709-M2X12</a>	0000-000989-00
1b	Tornillo M3 x 20 (Utilizado desde el No. de Serie E2120048)	2	<a href="#">H-7505-M3X20</a>	0000-000981-00
2a	Soporte (Utilizado hasta el No. de Serie E2120047)	1	-----	1115-540000-00
2b	Soporte (Utilizado hasta el No. de Serie E2120048)	1	<a href="#">H-4709-PBRKT</a>	1115-500015-00
3a	Tornillo (Utilizado hasta el 01-02-2012)	2	-----	0000-000179-00
3b	Tornillo (Utilizado hasta el 01-02-2012)	2	<a href="#">H-4709-7700</a>	0000-000077-00
4	Rondana Plana	2	<a href="#">H-4709-M6WSH</a>	0000-000123-00
5	Abrazadera para Cable (Utilizada desde el No. de Serie E2120048)	1	<a href="#">H-4709-WCLMP</a>	1115-500011-00
6	Tuerca (Utilizada desde el No. de Serie E2120048)	1	<a href="#">H-4709-NUT</a>	0000-000923-00
7	Cubierta	1	<a href="#">H-4709-BLCVR</a>	1115-121001-00
8a	Tornillo M10 x 25 (Utilizado hasta el No. de Serie 424210638)	6	-----	0000-000655-00
8b	Tornillo M10 x 25; Cabeza Cilíndrica (Utilizado desde el No. de Serie 424210638)	6	<a href="#">H-4709M10X25</a>	0000-000494-00
9a	Cubierta (Reemplazada por el 1115-121100-0A) (Utilizada desde el No. de Serie E2221098)	1	-----	1115-121100-00
9b	Cubierta de Llanta de Transmisión (Utilizada desde el No. de Serie E2221099)	1	<a href="#">H-4709-TCOWL</a>	1115-121100-0A
10a	Ensamble del Interruptor de Límite (Utilizado desde el No. de Serie E2120047)	1	-----	1115-520006-00
10b	Ensamble del Interruptor de Límite de Elevación (Utilizado desde el No. de Serie E2120048)	1	<a href="#">H-4709SLIMIT</a>	1115-500017-00
11	Rondana Plana	6	<a href="#">H-4709-FWASH</a>	0000-000007-00
12	Soporte (Utilizado desde el No. de Serie E2120048)	1	<a href="#">H-4709-CLAMP</a>	1115-500014-00
13	Perno (Utilizado desde el No. de Serie E2120048)	1	<a href="#">H-4709-BOLT</a>	0000-000988-00
14	Rondana (Utilizada desde el No. de Serie E2221099)	6	<a href="#">H-4709-19</a>	0000-000063-00

**ULINE H-4709**  
**BIG JOE® PATÍN HIDRÁULICO**  
**ELÉCTRICO – 3,000 LB**

800-295-5510  
uline.mx

CONTINUACIÓN DE COMPARTIMENTO  
(DESDE EL NO. DE SERIE 427190908)



Opcional

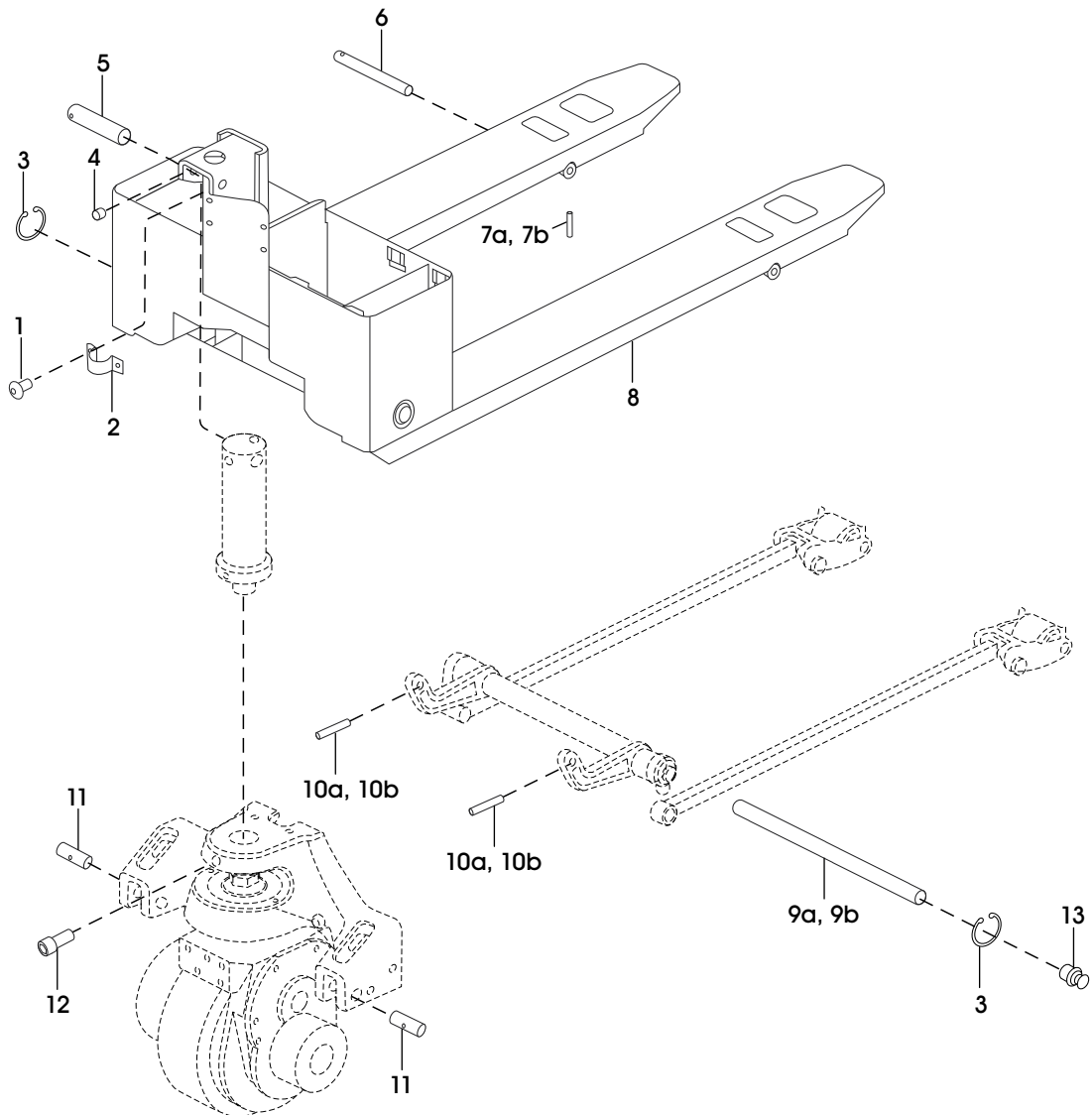
**CONTINUACIÓN DE LISTA DE PARTES DEL COMPARTIMENTO  
(DESDE EL NO. DE SERIE 427190908)**

#	DESCRIPCIÓN	CANT.	NO. DE PARTE DE ULINE	NO. DE PARTE DEL FABRICANTE
1	Tornillo, M3 x 20	2	<a href="#">H-7505-M3X20</a>	0000-000981-00
2	Soporte	1	<a href="#">H-4709BRACKT</a>	1115-500015-00
3	Tornillo	2	<a href="#">H-4709-7700</a>	0000-000077-00
4	Rondana Plana	2	<a href="#">H-4709-M6WSH</a>	0000-000123-00
5	Soporte	1	<a href="#">H-4709-CLAMP</a>	1115-500014-00
6	Perno	1	<a href="#">H-4709-BOLT</a>	0000-000988-00
7	Abrazadera para Cable, 2 Cables	1	<a href="#">H-7505-ACUTR</a>	1115-500011-0A
8	Tornillo	6	<a href="#">H-4709-56</a>	3020-000000-56
9	Cubierta Inferior con Bases para Balance	1	<a href="#">H-4709-LCBS</a>	1115-122000-A0
9	Cubierta Inferior con Soporte para UHMW (Opcional - No incluye insertos ni tornillería)	1	<a href="#">H-4709-D0</a>	1115-122000-D0
10	Ensamble del Interruptor de Límite de Elevación	1	<a href="#">H-4709SLIMIT</a>	1115-500017-00
12	Tuerca	1	<a href="#">H-4709-NUT</a>	0000-000923-00
20	Rondana	6	<a href="#">H-4709-19</a>	0000-000063-00
21	Rondana Plana	6	<a href="#">H-4709-FWASH</a>	0000-000007-00
22	Inserto para Barra de Estabilidad Ajustable (Opcional)	2	-----	1115-140005-K0
23	Tornillo (Opcional)	2	-----	0000-001102-00
24	Tuerca (Opcional)	2	<a href="#">H-4705-4000</a>	0000-000740-00
	Rondana Plana (No Se Muestra)	2	-----	0000-000373-00
	Rondana (No Se Muestra)	6	<a href="#">H-4709-19</a>	0000-000630-00
	Ensamble de Rueda (No Se Muestra)	2	-----	1115-160000-B0

**ULINE** H-4709  
**BIG JOE® PATÍN HIDRÁULICO**  
**ELÉCTRICO – 3,000 LB**

800-295-5510  
uline.mx

ARMAZÓN



## LISTA DE PARTES DEL ARMAZÓN

#	DESCRIPCIÓN	CANT.	NO. DE PARTE DE ULINE	NO. DE PARTE DEL FABRICANTE
1	Tornillo	2	<a href="#">H-4709-3</a>	0000-000651-00
2	Clip de Sujeción	1	<a href="#">H-4709-CLIP1</a>	1115-500002-00
3	Clip	2	<a href="#">H-4709-CLIP</a>	0000-000650-00
4	Tornillo	2	<a href="#">H-4710-M6X8</a>	0000-000016-00
5	Pasador de Rodillo de Instalación para Cilindro de Elevación	1	-----	1115-400001-00
6	Eje Frontal de la Barra de Apoyo	2	<a href="#">H-4709-FPRS</a>	1115-1300004-0A
7a	Pasador (Utilizado hasta el No. de Serie 424150330)	2	<a href="#">H-4709-RPIN</a>	0000-000708-00
7b	Pasador Recto Acanalado Tipo Resorte 5 x 30 (Utilizado desde el No. de Serie 424150331)	2	<a href="#">H-4709-M5X30</a>	0000-001456-00
8	Armazón Frontal	1	-----	1115-110000-40
9a	Eje de Soporte Largo (Utilizado hasta el No. de Serie 427120607)	1	<a href="#">H-4709-RPRS</a>	1115-130002-40
9b	Eje Posterior de la Barra de Apoyo E30 (Utilizado desde el No. de Serie 427120608)	1	<a href="#">H-4709-RPRS</a>	1115-130002-4B
10a	Pasador de Rodillo (Utilizado hasta el No. de Serie 424150330)	2	<a href="#">H-4709-M4XM5</a>	0000-000654-00
10b	Pasador de Rodillo M4 x 45 (Utilizado desde el No. de Serie 424150331)	2	<a href="#">H-4709-M4X45</a>	0000-001458-00
11	Eje del Asa	2	<a href="#">H-4709-SHAFT</a>	1115-130001-00
12	Tornillo (Utilizado hasta el No. de Serie E2116209)	1	<a href="#">H-4709-SC032</a>	0000-000032-00
12	Tornillo (Utilizado desde el No. de Serie E2116210)	1	<a href="#">H-4709-15500</a>	0000-000155-00
13	Engrasador (Utilizado desde el No. de Serie 427120608)	2	<a href="#">H-4709-GRSFQ</a>	0000-000013-00



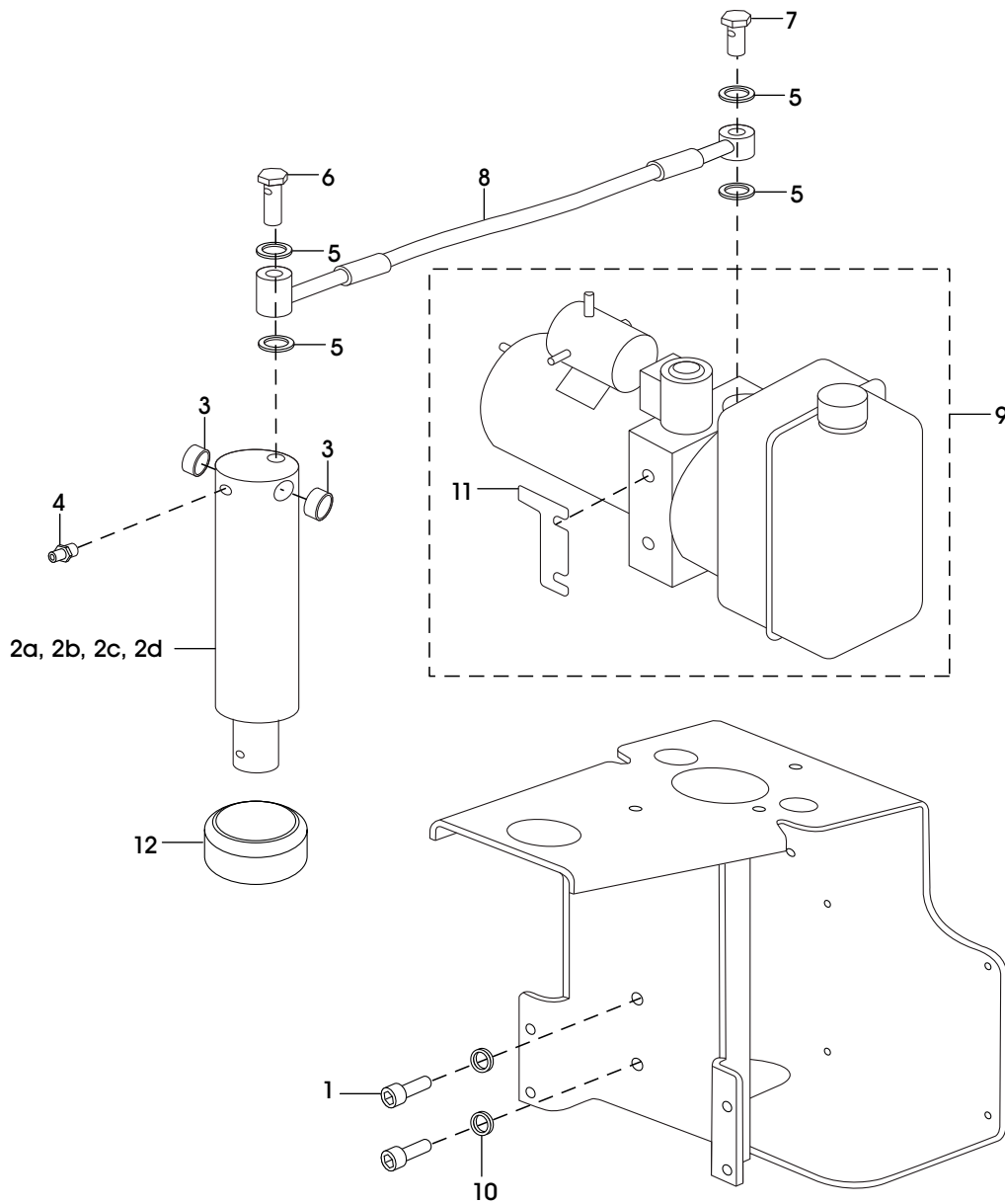
**LISTA DE PARTES DEL ENSAMBLE DEL ESLABÓN DE ELEVACIÓN**

#	DESCRIPCIÓN	CANT.	NO. DE PARTE DE ULINE	NO. DE PARTE DEL FABRICANTE
1	Eslabón Inferior 30 (Ancho de las Horquillas de 27")	1	-----	1115-131000-40
2	Clip	2	<a href="#">H-4709-M25Q</a>	0000-000294-00
3a	Casquillo (Utilizado hasta el 21-02-2012)	2	-----	0000-000675-00
3b	Casquillo (Utilizado desde el 22-02-2012)	2	<a href="#">H-4709BUSHQ</a>	0000-000906-00
4a	Tuerca (Utilizada hasta el No. de Serie 427162916)	2	-----	0000-000101-00
4b	Tuerca (Utilizada desde el No. de Serie 427162917)	2	-----	1121-132010-00
5	Conector (Incluye Casquillo y Tuerca)	2	<a href="#">H-4709-CONN</a>	1115-132100-00
6	Ensamble de Eslabón Largo – Horquillas de 45"	2	<a href="#">H-4709-LINK</a>	1115-132000-0B-04
7a	Casquillo (Utilizado hasta el 21-02-2012)	4	<a href="#">H-4710-B2015</a>	0000-000011-00
7b	Casquillo (Utilizado desde el 22-02-2012)	4	<a href="#">H-4709-BSH</a>	0000-000907-00
8	Soporte para Llanta	2	<a href="#">H-4709WHLBRK</a>	1115-130005-4A
9	Casquillo (Utilizado desde el 22-02-2012)	4	<a href="#">H-4709-908Q</a>	0000-000908-00
10	Eje de la Llanta de Horquilla	2	<a href="#">H-4709LSHAFT</a>	1115-130003-00
11a	Pasador del Rodillo (Utilizado hasta el No. de Serie 424150330)	4	<a href="#">H-4709-RPIN</a>	0000-000708-00
11b	Pasador Recto Acanalado Tipo Resorte 5 x 30 (Utilizado desde el No. de Serie 424150331)	4	<a href="#">H-4709-M5X30</a>	0000-001456-00
12	Eje de la Llanta de Carga	2	<a href="#">H-4709WHLSHF</a>	1115-130007-40
13	Ensamble de la Llanta de Carga con Baleros	2	<a href="#">H-4709LASSY</a>	1115-133000-40
14	Barra Larga	2	-----	1115-132200-00-04
15	Rondana – Dos por Soporte 1115-130005-4A (Utilizada desde el 29-11-2013)	2	<a href="#">H-4709-008Q</a>	1115-130008-00
	Balero (No Se Muestra)	1	<a href="#">H-4709BRNG</a>	0000-000020-00

**ULINE H-4709**  
**BIG JOE® PATÍN HIDRÁULICO**  
**ELÉCTRICO – 3,000 LB**

800-295-5510  
uline.mx

SISTEMA HIDRÁULICO



**ULINE H-4709****BIG JOE® PATÍN HIDRÁULICO  
ELÉCTRICO – 3,000 LB**

800-295-5510

uline.mx

## LISTA DE PARTES DEL SISTEMA HIDRÁULICO

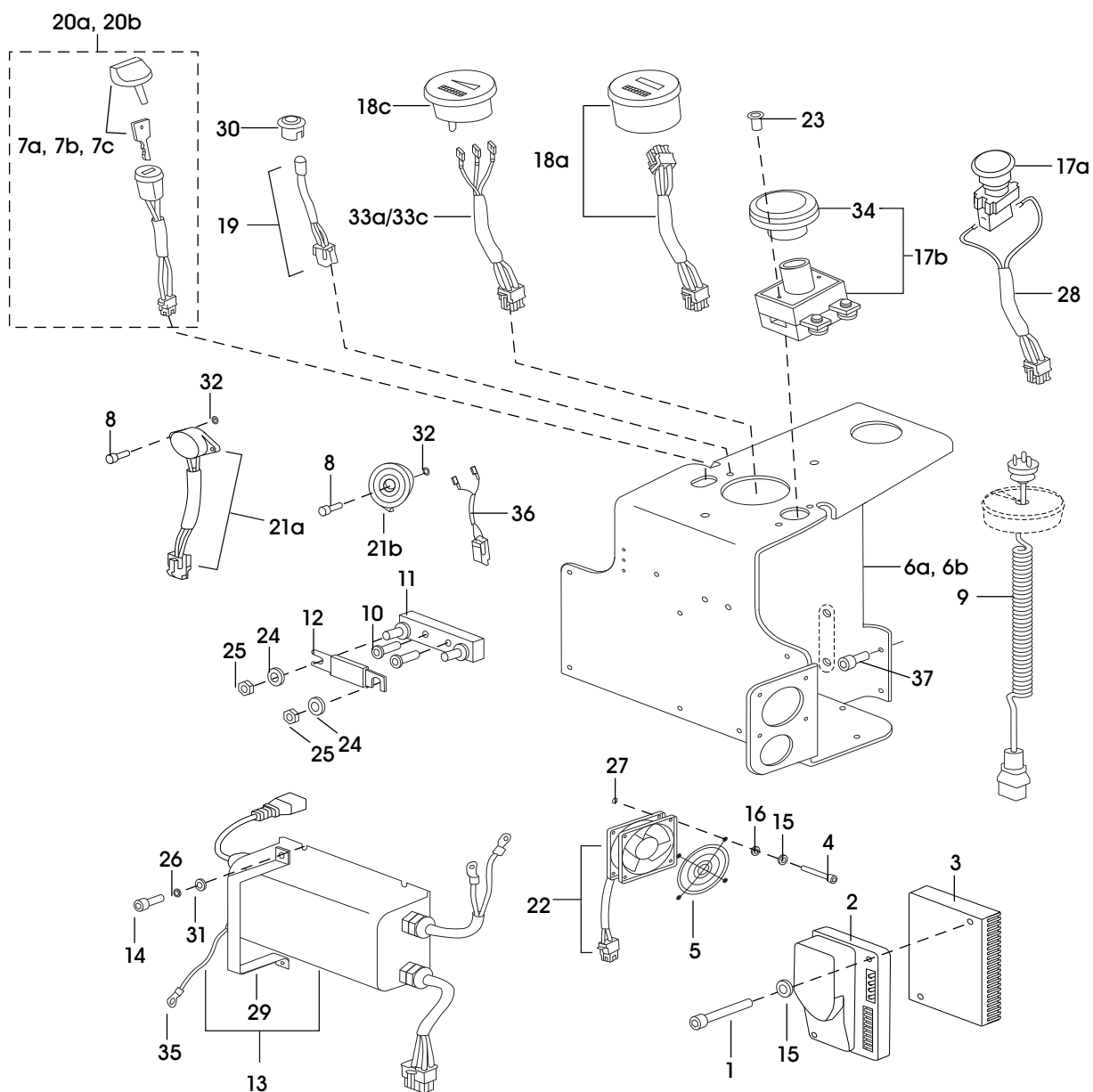
#	DESCRIPCIÓN	CANT.	NO. DE PARTE DE ULINE	NO. DE PARTE DEL FABRICANTE
1	Tornillo	2	-----	0000-000109-00
2a	Cilindro de Elevación (Utilizado hasta el No. de Serie E2017219)	1	-----	1115-410000-00
2b	Cilindro de Elevación (Para uso con el No. de Serie E2017220 - E2116209)	1	-----	1115-410000-0A
2c	Cilindro de Elevación (Para uso con el No. de Serie E2116210 - 426192437)	1	<a href="#">H-4709-LCYL</a>	1115-410000-0B
2d	Cilindro de Elevación (Utilizado desde el No. de Serie 426192438)	1	<a href="#">H-4709-CYLD</a>	1115-410000-0D
3	Casquillo	2	<a href="#">H-4709-BUSH</a>	0000-000705-00
4	Engrasador	1	<a href="#">H-4709-GRSFQ</a>	0000-000013-00
5	Rondana de Sellado	4	<a href="#">H-4709WASHER</a>	0000-000044-00
6	Perno	1	<a href="#">H-4709-HB6</a>	2401-146000-00
7	Perno	1	<a href="#">H-4709-HB7Q</a>	2401-143500-00
8	Manguera Hidráulica	1	<a href="#">H-4709HOSE</a>	1115-420000-00
9	Ensamble de la Bomba y el Motor (Reemplazado por 1115-430000-0A) Incluye: • 1 Bomba • 1 Motor	1	<a href="#">H-4709-PUMP</a>	1115-510001-00
10	Rondana de Seguridad	2	<a href="#">H-4709-LW159</a>	0000-000159-00
11	Cuña (Utilizada desde el No. de Serie 425190003)	1	<a href="#">H-4709-BAFF</a>	1115-511004-0A
12	Bloque (Utilizado desde el No. de Serie E21162010)	1	<a href="#">H-4708-BLCK</a>	1115-400002-0B
	Solenoides del Motor de la Bomba (No Se Muestra)	1	<a href="#">H-4709PMPMTR</a>	1115-560002-00

# ULINE H-4709

## BIG JOE® PATÍN HIDRÁULICO ELÉCTRICO – 3,000 LB

800-295-5510  
uline.mx

### SISTEMA ELÉCTRICO



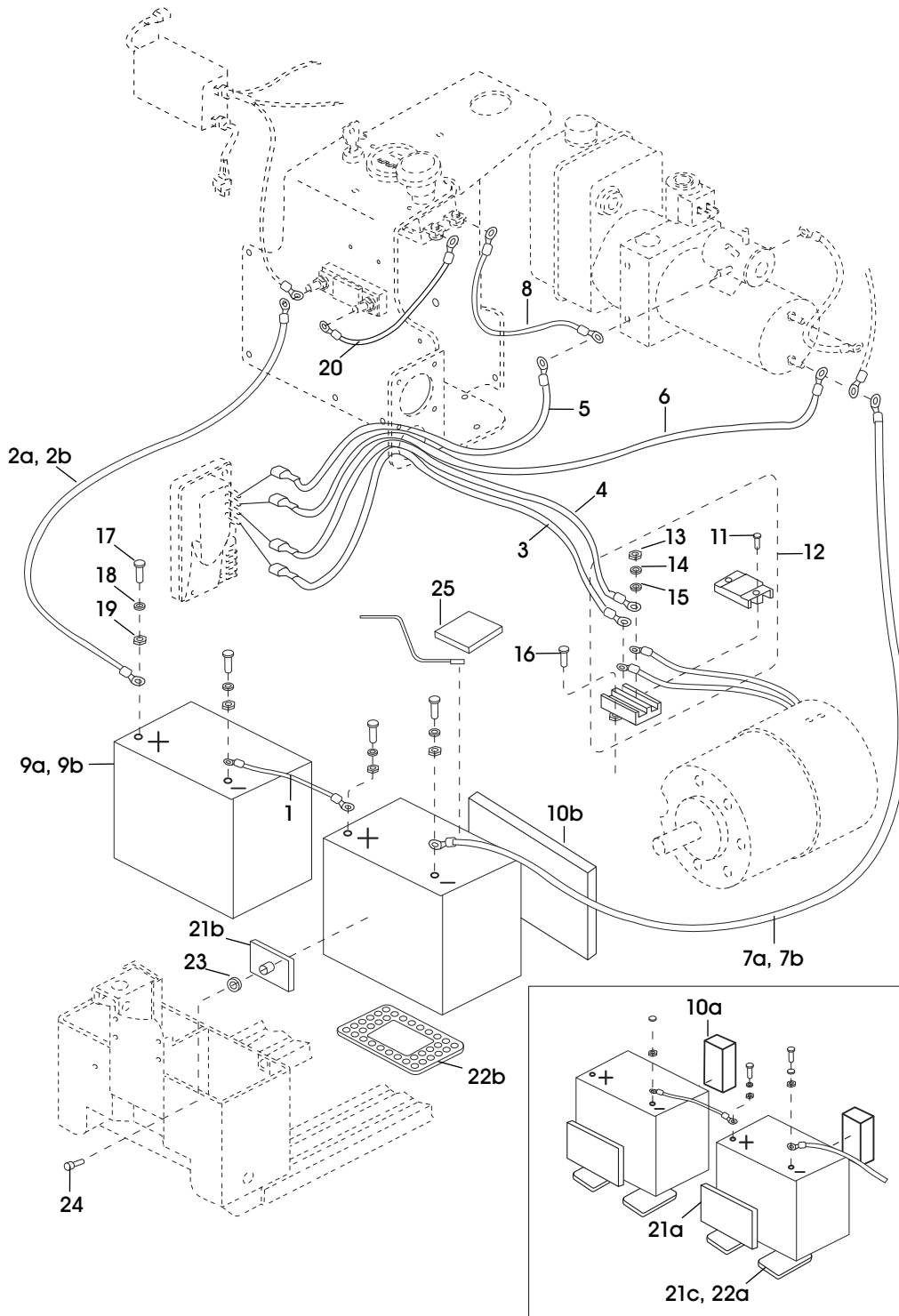
**LISTA DE PARTES DEL SISTEMA ELÉCTRICO**

#	DESCRIPCIÓN	CANT.	NO. DE PARTE DE ULINE	NO. DE PARTE DEL FABRICANTE
1	Tornillo	2	<a href="#">H-7505-M4X45</a>	0000-000665-00
2	Controlador Programado para E30	1	<a href="#">H-4709-E30</a>	1115-510004-00-40
3	Disipador Térmico	1	<a href="#">H-4709-HS</a>	1115-510005-0A
4	Tornillo	4	<a href="#">H-7505-121</a>	0000-000121-00
5	Estera de Velo	1	<a href="#">H-7505-FG</a>	1115-500007-00
6a	Soporte (Utilizada hasta el No. de Serie 4281000747)	1	-----	1115-511002-40
6b	Soporte (Utilizado desde el No. de Serie 4281000748)	1	<a href="#">H-4709-BRKT</a>	1115-511000-0C
7	Llave Moldeada de Plástico Negro – Set de 2 para Interruptor de Llave Bidireccional	2	<a href="#">H-5031</a>	1115-500016-00
8	Tornillo (Utilizado desde el No. de Serie 4281403798)	2	<a href="#">H-4709-004</a>	0000-000004-00
9	Cable del Cargador	1	<a href="#">H-4709CHRCBL</a>	1120-510002-18
10	Tornillo	2	<a href="#">H-4710-M6X16</a>	0000-000126-00
11	Base del Fusible	1	<a href="#">H-4709-FHLDR</a>	1120-540001-00-B
12	Fusible de Energía	1	<a href="#">H-4709-FUSE</a>	1115-510003-00
13	Ensamble del Cargador 15A (Utilizado desde el No. de Serie 424160585)	1	<a href="#">H-4709CHRGR</a>	1115-520014-30
14	Tornillo	4	<a href="#">H-4709-SC31</a>	0000-000031-00
15	Rondana de Seguridad 4	6	<a href="#">H-7505-WASH4</a>	0000-000122-00
16	Rondana Plana 4	4	<a href="#">H-7505-FW4</a>	0000-000702-00
17a	Interruptor de Paro de Emergencia (Reemplazado por el 1113-500012-01) (Solo se utiliza en los Nos. de Serie: E2013118, E2013122, E2013189, E2013190, E2013191, E2013192, E2013117, E2013119, E2013120, E2013121, E2013125, E2013128, E2013126, E2013123)	1	<a href="#">H-7505-ERSWQ</a>	3218-604000-00
17b	Interruptor de Paro de Emergencia (Para todos los patines no mencionados en #17)	1	<a href="#">H-4779</a>	1115-510008-00
18a	Kit de Indicador de Descarga de Batería (utilizado antes del No. de Serie #4311301787) Incluye: • Medidor de Descarga de Batería con Medidor de Hora • Arnés de Cable de IDB	1	<a href="#">H-4709-BDIKT</a>	901851
18c	Medidor de Descarga de Batería con Medidor de Hora (utilizados antes del No. de Serie #4311301787)	1	<a href="#">H-4710-BIMTR</a>	2105-500003-00
19	LED	1	<a href="#">H-4709WHRNSS</a>	1115-520013-00

**CONTINUACIÓN DE LISTA DE PARTES DEL SISTEMA ELÉCTRICO**

#	DESCRIPCIÓN	CANT.	NO. DE PARTE DE ULINE	NO. DE PARTE DEL FABRICANTE
20a	Ensamble del Interruptor de Tres Entradas con Dos Llaves (Solo se utiliza en los Nos. de Serie: E2013117, E2013119, E2013120, E2013121, E2013123, E2013124, E2013125, E2013126, E2013127, E2013128, E2013133, E2013142, E2013143, E2014129, E2014131, E2014134, E2014147. NOTAS: E30 y S22)	1	<a href="#">H-4709-SASSQ</a>	1115-520003-00
20b	Ensamble del Interruptor para Llaves de Dos Entradas (Utilizado hasta el No. de Serie E2120047)	1	<a href="#">H-4709-KSAQ</a>	1115-520003-0A
20c	Interruptor para Llaves (Utilizado desde el No. de Serie E2120048)	1	<a href="#">H-4709KEYSWT</a>	1115-520019-0A
21a	Ensamble de Alarma (Claxon) (Utilizado hasta el No. de Serie 4281403797)	1	<a href="#">H-4709-BZASM</a>	1115-520015-00
21b	Claxon (Utilizado desde el No. de Serie 4281403798)	1	<a href="#">H-4710-HORN</a>	1120-500003-0A
22	Ventilador	1	<a href="#">H-4709-FAN</a>	1115-520007-00
23	Tornillo de M5 x 10	2	<a href="#">H-4709-22</a>	0000-000616-00
24	Rondana Plana	2	<a href="#">H-4709-FW</a>	0000-000194-00
25	Tuerca	2	<a href="#">H-4709-NUT2</a>	0000-000196-00
26	Rondana	4	<a href="#">H-4709-206</a>	0000-000206-00
27	Anillo Tórico	4	<a href="#">H-7505-ORING</a>	0000-001133-00
28	Interruptor de Paro de Emergencia (Utilice #17)	1	-----	1115-520011-00
29	Soporte para Cargador (Utilizado desde el 15-08-2012)	2	-----	1115-500009-00
30	Enchufe de LED	1	<a href="#">H-4709SOCKET</a>	1115-510009-00
31	Rondana Plana	4	<a href="#">H-4709-FW128</a>	0000-000128-00
32	Anillo Tórico	2	-----	0000-001134-00
33a	Amés de Cables BDI (Utilizado hasta el No. de Serie 4311301787)	1	<a href="#">H-4709-BDIQ</a>	1115-520005-0A
33c	Amés de Cables BDI (Utilizado desde el No. de Serie 4311301787)	1	<a href="#">H-4709-BDI</a>	1115-520005-20
34	Interruptor, Solo Botón	1	<a href="#">H-4709BUTINQ</a>	1115-510008-10
35	Cable a Tierra (Utilizado desde el No. de Serie 426191250)	1	-----	1115-520021-00
36	Amés de Cableado del Claxon (Utilizado desde el No. de Serie 4281403798)	1	<a href="#">H-4709-HWH</a>	1115-0000LB-LD
37	Tornillo de M6 x 12	1	-----	2028-000001-07

CABLEADO



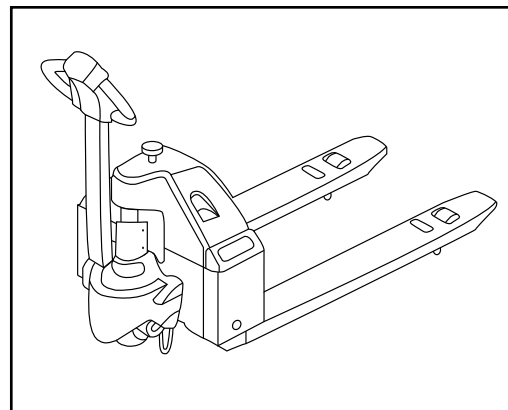
**ULINE H-4709**  
**BIG JOE® PATÍN HIDRÁULICO**  
**ELÉCTRICO – 3,000 LB**

800-295-5510  
 uline.mx

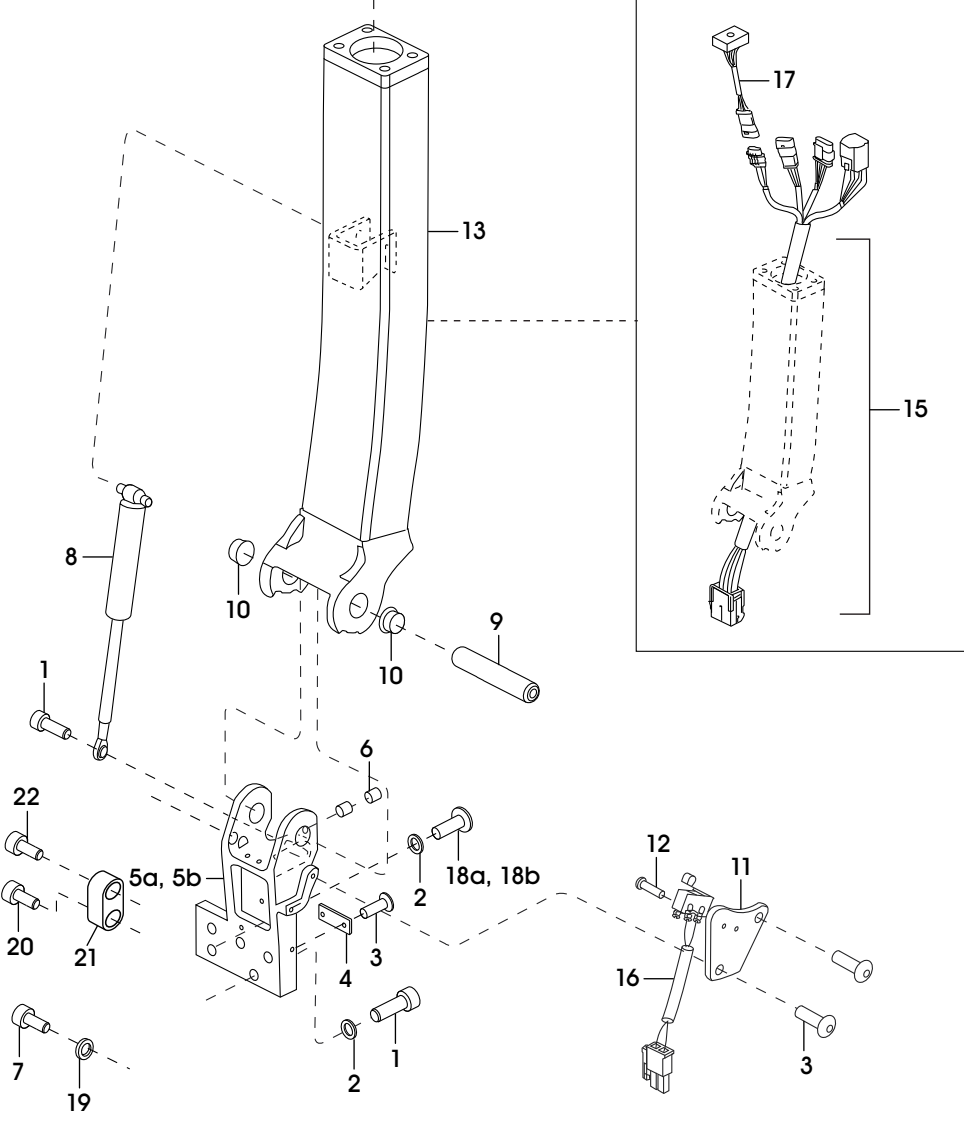
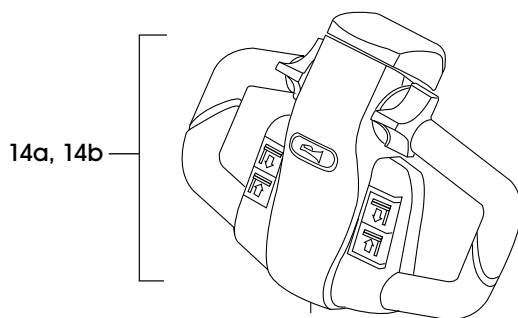
LISTA DE PARTES DEL CABLEADO

#	DESCRIPCIÓN	CANT.	NO. DE PARTE DE ULINE	NO. DE PARTE DEL FABRICANTE
1	Cable del Conector de la Batería	1	<a href="#">H-4709-BCC</a>	1115-530008-00
2a	Cable de la Batería (+)	1	-----	1115-530007-00
2b	Cable de la Batería (+)	1	<a href="#">H-4709-BC+</a>	1115-530007-10
3	Cable M2	1	-----	1115-530004-00
4	Cable M1	1	-----	1115-530003-00
5	Cable B (+)	1	<a href="#">H-4709-BPOS</a>	1115-530001-00
6	Cable B (-)	1	<a href="#">H-4709-BNEG</a>	1115-530002-00
7a	Cable P (-)	1	-----	1115-530006-00
7b	Cable P (-)	1	<a href="#">H-4709-006</a>	1115-530006-10
8	Cable P (+)	1	<a href="#">H-4709-005</a>	1115-530005-00
9	Batería AGM de 12 V	2	<a href="#">H-5032</a>	003250
10a	Bloque EPE	2	-----	1115-100001-00
10b	Bloque EPE	2	-----	1115-100004-F0
11	Tornillo	2	-----	0000-000485-00
12	Recuadro de Terminales	1	<a href="#">H-4709-TBLCK</a>	1115-231000-00
13	Tuerca	2	-----	0000-000108-00
14	Rondana	2	-----	0000-000056-00
15	Rondana Plana	2	-----	0000-000380-00
16	Tornillo	2	<a href="#">H-4709-004</a>	0000-000004-00
17	Perno	4	-----	0000-000277-00
18	Rondana de Seguridad	4	<a href="#">H-4709-LW159</a>	0000-000159-00
19	Rondana	4	<a href="#">H-4709-176</a>	0000-000176-00
20	Cable C3	1	<a href="#">H-4709-C3CBL</a>	1115-530009-00
21a	Bloque EPE	2	-----	1115-100002-00
21b	Bloque EPE II	2	<a href="#">H-4709-EPE</a>	1115-160000-F0
21c	Bloque EPE III	2	-----	1115-100003-00
22a	Acojinado de Caucho	4	-----	2112-410005-00
22b	Manta de Caucho	2	-----	1115-100005-00
23	Tuerca	2	<a href="#">H-4709-NUTI</a>	0000-000550-00
24	Tornillo de Cabeza Hexagonal de M8 x 45 mm	2	<a href="#">H-4709-700</a>	0000-000917-00
25	Parche del Sensor de Temperatura	1	-----	1115-520020-00
	Arnés para Cables de Transmisión (No Se Muestra)	1	<a href="#">H-4709-M2MIC</a>	1115-520002-0B

**BIG JOE<sup>MD</sup> – TRANSPALETTE  
ÉLECTRIQUE – 3 000 lb**



**LEVIER DE DIRECTION**

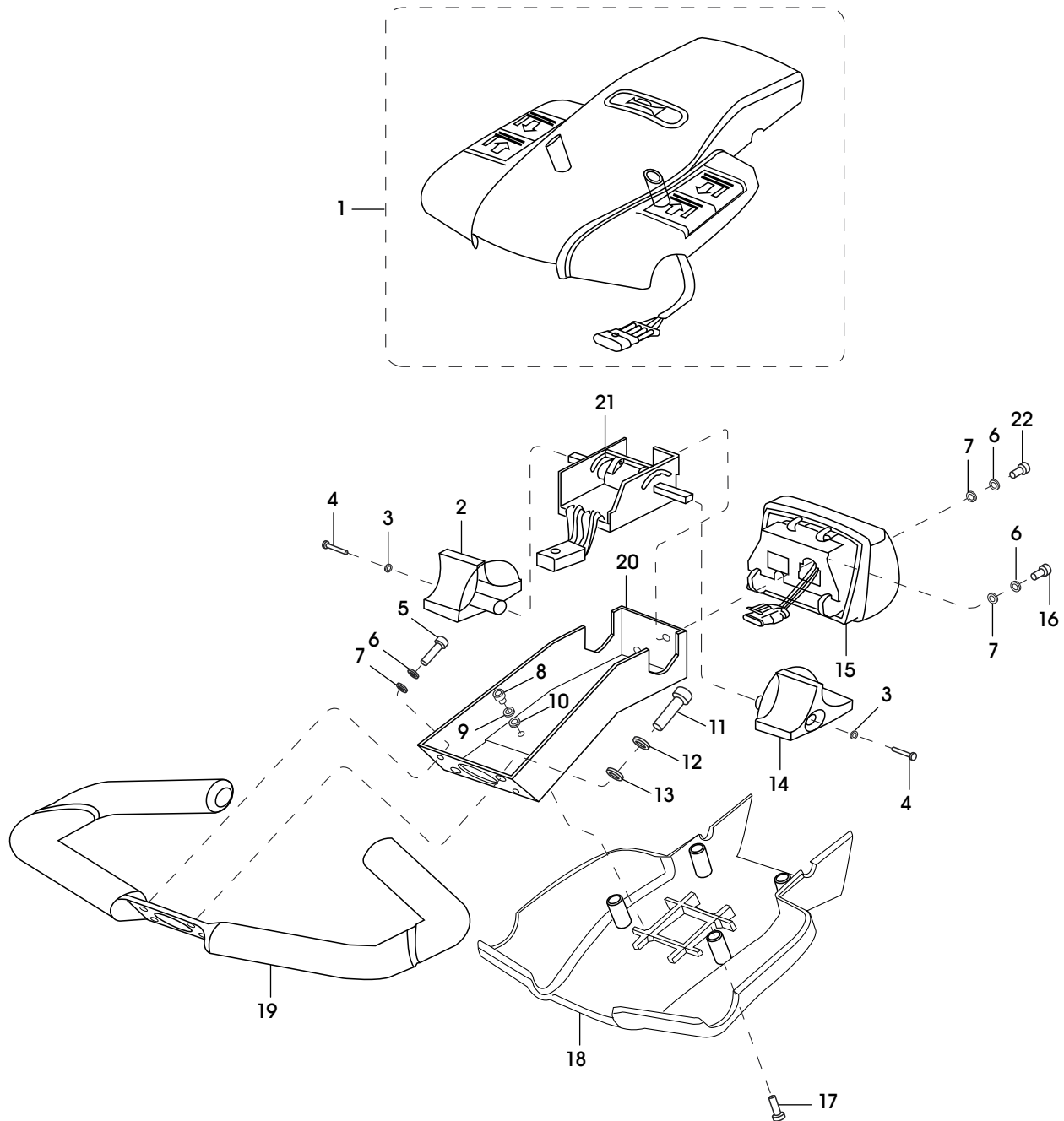


## LISTE DES PIÈCES DU LEVIER DE DIRECTION

#	DESCRIPTION	QTÉ	RÉF. ULINE	RÉF. DU FABRICANT
1	Vis	4	<a href="#">H-4709-SC322</a>	0000-000322-00
2	Rondelle de blocage	5	<a href="#">H-4709-LW159</a>	0000-000159-00
3	Vis	4	<a href="#">H-4709-3</a>	0000-000651-00
4	Plaque (utilisé jusqu'au n° de série E2319735)	1	-----	1115-500004-00
5a	Support (utilisé jusqu'au n° de série E2219053) (remplace 1115-3000001-00)	1	<a href="#">H-4709-5</a>	1115-300001-0A
5b	Support (utilisé à partir du n° de série E2219054)	1	<a href="#">H-4709-BRCKT</a>	1115-300001-0C
6	Vis M6 x 6 (vis de réglage)	2	<a href="#">H-4709-M6X6</a>	0000-001019-00
7	Vis (utilisé jusqu'au n° de série E2219053)	1	<a href="#">H-4709-7</a>	0000-000030-00
8	Vérin à gaz	1	<a href="#">H-5020</a>	1120-320000-00
9	Axe d'articulation de la poignée	1	<a href="#">H-4709-9</a>	1115-300002-00
10	Bague	2	<a href="#">H-4709BUSHNG</a>	0000-000677-00
11	Support	1	<a href="#">H-4709-11</a>	1115-500001-00
12	Vis M2 x 12 ST	2	<a href="#">H-4709-M2X12</a>	0000-000989-00
13	Ensemble du levier	1	<a href="#">H-4709-HNDL</a>	1115-310000-00
14a	Ensemble de la tête de commande (utilisé jusqu'au n° de série 427102394)	1	<a href="#">H-4709CONTRL</a>	1115-320000-00
14b	Ensemble de la tête de commande (utilisé à partir du n° de série 427102395)	1	<a href="#">H-4709-HEAD</a>	1115-340000-00-70
15	Faisceau de câblage du levier de direction	1	<a href="#">H-4709WHRNS</a>	1115-520010-00
16	Disjoncteur de sûreté avec faisceau de câblage	1	<a href="#">H-4709SWASMB</a>	1115-520009-0A
17	Faisceau de câblage du potentiomètre	1	<a href="#">H-4709WREHRN</a>	1115-520017-00
18a	Vis (utilisé jusqu'au n° de série 426193482)	2	<a href="#">H-4709-SC912</a>	0000-000912-00
18b	Vis (utilisé jusqu'au n° de série E2219053)	2	<a href="#">H-4710-M8X25</a>	0000-000151-00
19	Rondelle (utilisé jusqu'au n° de série E2219053)	1	<a href="#">H-4709-19</a>	0000-000063-00
20	Vis M8 x 20 (utilisé à partir du n° de série E2219054)	1	<a href="#">H-4709-SC101</a>	0000-001101-00
21	Bloc de proximité (utilisé à partir du n° de série E2219054)	1	<a href="#">H-4709-BLOCK</a>	1115-300003-00
22	Vis (utilisé à partir du n° de série E2219054)	1	<a href="#">H-4709-SC004</a>	1115-300004-00
	Faisceau de câblage d'entraînement (non illustré)	1	<a href="#">H-4709DHRNSS</a>	1115-520002-1F
	Faisceau de câblage principal (non illustré)	1	<a href="#">H-4709WIREH</a>	1115-520001-0C

**BIG JOE<sup>MD</sup> – TRANSPALETTE  
ÉLECTRIQUE – 3 000 lb**

TÊTE DE COMMANDE  
(JUSQU'AU N° DE SÉRIE 427102394)

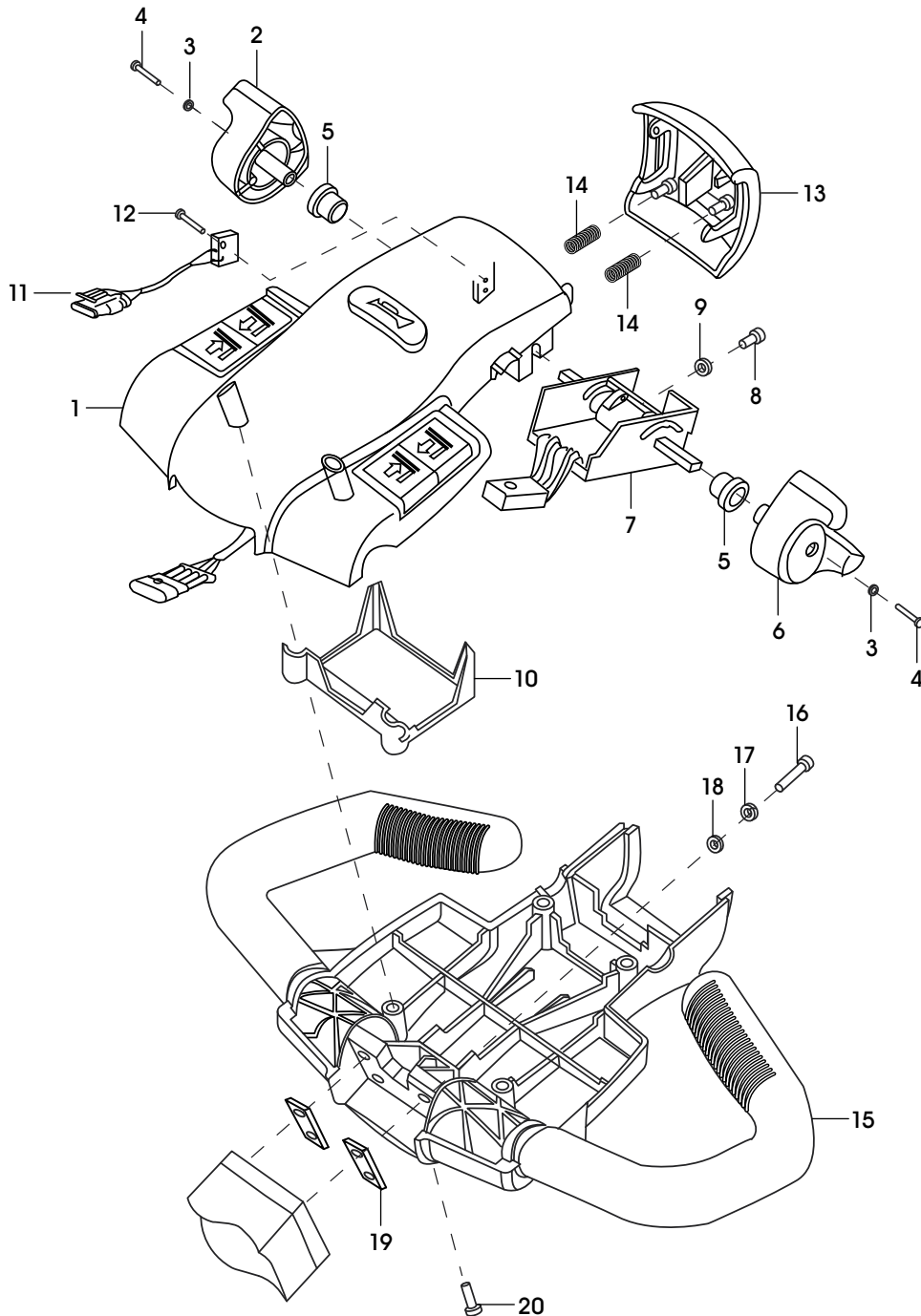


LISTE DES PIÈCES DE LA TÊTE DE COMMANDE  
(JUSQU'AU N° DE SÉRIE 427102394)

#	DESCRIPTION	QTÉ	RÉF. ULINE	RÉF. DU FABRICANT
1	Ensemble du couvercle de la tête de commande avec matériel de câblage	1	<a href="#">H-4709-21</a>	1120-342000-00-B
2	Partie droite de la molette de commande	1	<a href="#">H-5030</a>	1120-340005-00
3	Rondelle	2	<a href="#">H-4709-LW038</a>	0000-000038-00
4	Vis M3 x 12	2	<a href="#">H-4709-SC037</a>	0000-000037-00
5	Vis	2	<a href="#">H-4709-004</a>	0000-000004-00
6	Rondelle	4	<a href="#">H-4709-206</a>	0000-000206-00
7	Rondelle plate	4	<a href="#">H-4709-390</a>	0000-000390-00
8	Vis	2	<a href="#">H-4710-M4X8</a>	0000-000088-00
9	Rondelle de blocage 04	2	<a href="#">H-7505-WASH4</a>	0000-000122-00
10	Rondelle plate 04	2	<a href="#">H-7505-FW4</a>	0000-000702-00
11	Vis	2	<a href="#">H-4709-SC322</a>	0000-000322-00
12	Rondelle de blocage	2	<a href="#">H-4709-LW159</a>	0000-000159-00
13	Rondelle	2	<a href="#">H-4709-176</a>	0000-000176-00
14	Partie gauche de la molette de commande	1	<a href="#">H-5029</a>	1120-340003-00
15	Couvercle du bouton de sécurité avec faisceau de câblage (utilisé jusqu'au n° de série 427102394)	1	<a href="#">H-4778</a>	1115-343000-00-B
15a	Couvercle du bouton de sécurité avec faisceau de câblage (utilisé à partir du n° de série 427102395)	1	<a href="#">H-4710-COVER</a>	1115-340003-00
16	Vis	1	<a href="#">H-4709-004</a>	0000-000004-00
17	Vis	4	<a href="#">H-4710-M5X20</a>	0000-000035-00
18	Couvercle	1	<a href="#">H-4710-HAND</a>	1120-340002-00
19	Poignée	1	<a href="#">H-4710-HN341</a>	1120-341000-00
20	Support de raccordement	1	<a href="#">H-4709-CB</a>	1120-340001-00
21	Accélérateur (remplacé par 1120-340004-00-01)	1	<a href="#">H-5028</a>	1120-520008-0C
22	Vis	1	<a href="#">H-4710-6MMQ</a>	0000-000010-00

**BIG JOE<sup>MD</sup> – TRANSPALETTE  
ÉLECTRIQUE – 3 000 lb**

**TÊTE DE COMMANDE  
(À PARTIR DU N° DE SÉRIE 427102395)**

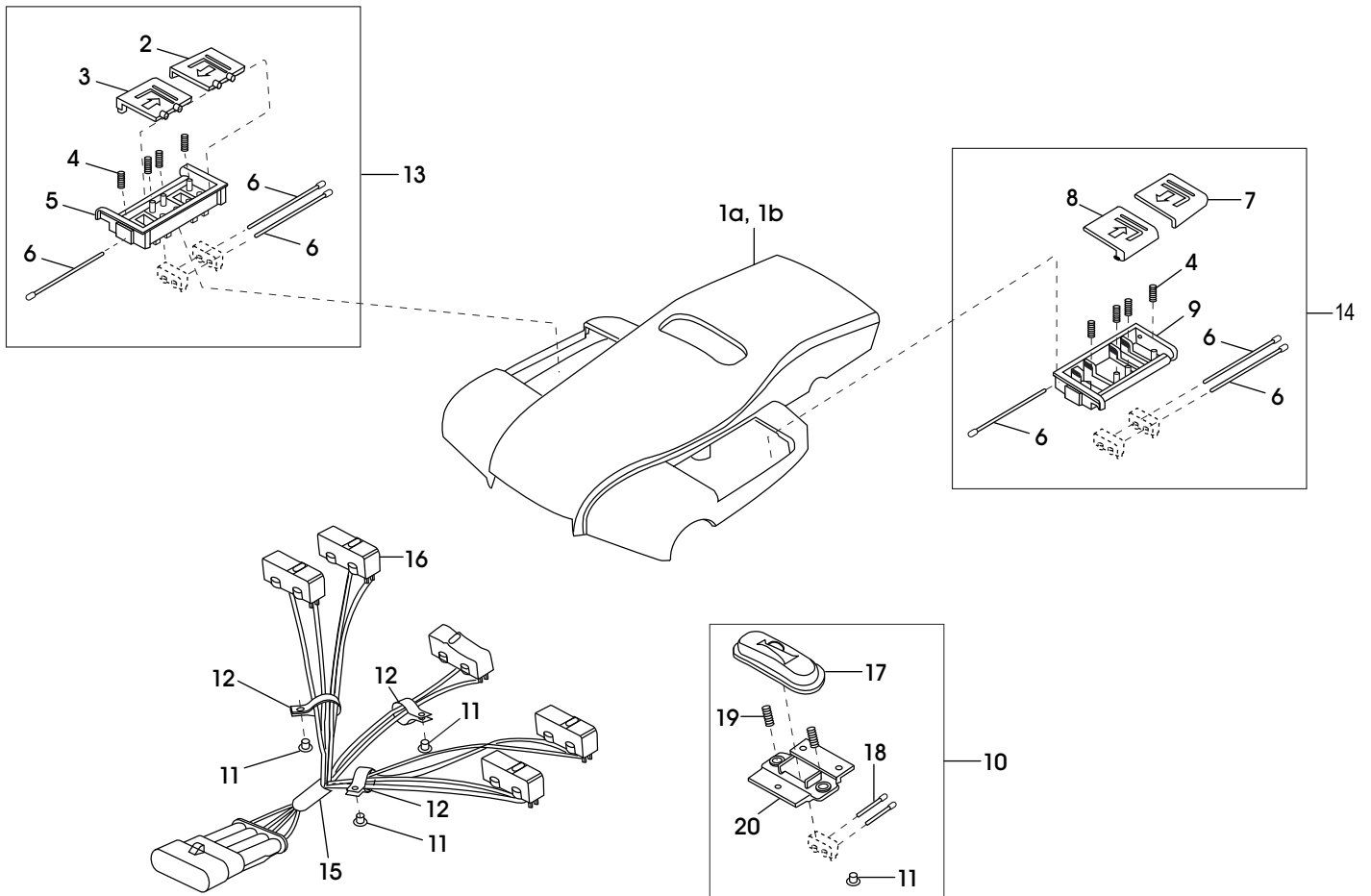


**BIG JOE<sup>MD</sup> – TRANSPALETTE  
ÉLECTRIQUE – 3 000 lb****LISTE DES PIÈCES DE LA TÊTE DE COMMANDE  
(À PARTIR DU N° DE SÉRIE 427102395)**

#	DESCRIPTION	QTÉ	RÉF. ULINE	RÉF. DU FABRICANT
1	Ensemble du couvercle avec faisceau	1	<a href="#">H-4710-CAPAS</a>	1115-341000-00-10
2	Partie droite de la molette de commande	1	<a href="#">H-4710-RCK</a>	1115-340005-00
3	Rondelle	2	<a href="#">H-4709-LW038</a>	0000-000038-00
4	Vis M3 x 12	2	<a href="#">H-4709-SC037</a>	0000-000037-00
5	Bague	2	-----	1115-340006-00
6	Partie gauche de la molette de commande	1	<a href="#">H-4710-LCK</a>	1115-340004-00
7	Potentiomètre d'accélération	1	<a href="#">H-5028</a>	1220-520008-0C
8	Boulon	1	-----	0000-000323-00
9	Rondelle plate	1	<a href="#">H-4709-390</a>	0000-000390-00
10	Couvercle du faisceau de câblage	1	-----	1115-340007-00
11	Câble de l'interrupteur de marche arrière	1	<a href="#">H-4709-0410</a>	1115-52004-10
12	Vis M2 x 12 ST	2	<a href="#">H-4709-M2X12</a>	0000-000989-00
13	Couvercle du bouton de sécurité	1	<a href="#">H-4710-COVER</a>	1115-340003-00
14	Ressort	2	<a href="#">H-4710-0004</a>	1121-310004-00
15	Couvercle inférieur avec poignées (sans trou)	1	<a href="#">H-4710-HAND</a>	1115-340002-00
16	Vis	4	<a href="#">H-4709-SC322</a>	0000-000322-00
17	Rondelle de blocage	4	<a href="#">H-4709-LW159</a>	0000-000159-00
18	Rondelle	4	<a href="#">H-4709-176</a>	0000-000176-00
19	Rondelle	2	<a href="#">H-4709-WCHA</a>	1115-340001-00
20	Vis	4	<a href="#">H-4710-M5X20</a>	0000-000035-00

**BIG JOE<sup>MD</sup> – TRANSPALETTE  
ÉLECTRIQUE – 3 000 lb**

**COUVERCLES DE LA TÊTE DE COMMANDE**

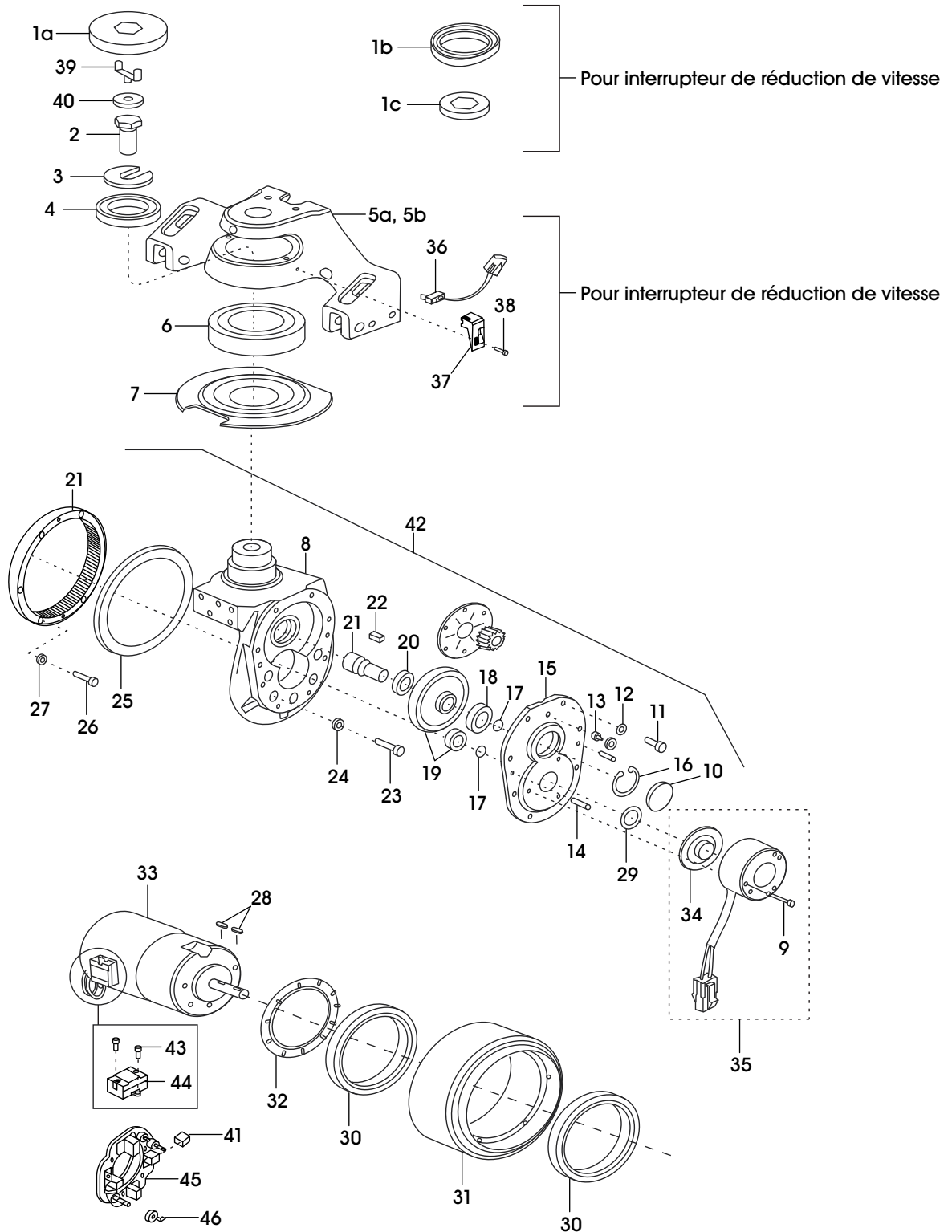


## LISTE DES PIÈCES DES COUVERCLES DE LA TÊTE DE COMMANDE

#	DESCRIPTION	QTÉ	RÉF. ULINE	RÉF. DU FABRICANT
1a	Couvercle (utilisé jusqu'au n° de série 427102394)	1	<a href="#">H-4710-UPC</a>	1120-342001-00
1b	Couvercle (utilisé à partir du n° de série 427102395)	1	<a href="#">H-4709-1BQ</a>	1115-341001-00
2	Bouton de levage (côté droit)	1	<a href="#">H-5023</a>	1120-342203-00
3	Bouton d'abaissement (côté droit)	1	<a href="#">H-5024</a>	1120-342202-00
4	Ressort	8	<a href="#">H-5025</a>	1120-342102-00
5	Support de bouton (côté droit)	1	-----	1120-342201-00
6	Goupille	6	<a href="#">H-4710-CPINQ</a>	1120-342105-00
7	Bouton de levage (côté gauche)	1	<a href="#">H-5026</a>	1120-342104-00
8	Bouton d'abaissement (côté gauche)	1	<a href="#">H-5027</a>	1120-342103-00
9	Support de bouton (côté gauche)	1	-----	1120-342101-00
10	Ensemble du bouton d'avertisseur Comprend : • Vis n° 11 (1) • Bouton d'avertisseur n° 17 (1) • Goupille n° 18 (2) • Ressort n° 19 (2)	1	<a href="#">H-4709-HRNBQ</a>	1120-342300-00
11	Vis	6	-----	0000-000039-00
12	Attache-fils	3	<a href="#">H-4710-LCLMQ</a>	0000-000490-00
13	Boîtier de commande de levage/d'abaissement (côté droit) (interrupteurs non inclus) Comprend : • Bouton de levage (côté droit) n° 2 (1) • Bouton d'abaissement (côté droit) n° 3 (1) • Ressort n° 4 (4) • Support de bouton (côté droit) n° 5 (1) • Goupille n° 6 (3)	1	<a href="#">H-5022</a>	1120-342200-00
14	Boîtier de commande de levage/d'abaissement (côté gauche) (interrupteurs non inclus) Comprend : • Bouton de levage (côté gauche) n° 7 (1) • Bouton d'abaissement (côté gauche) n° 8 (1) • Ressort n° 4 (4) • Support de bouton (côté gauche) n° 9 (1) • Goupille n° 6 (3)	1	<a href="#">H-5021</a>	1120-342100-00
15	Ensemble du micro-interrupteur et du faisceau de la tête de commande	1	<a href="#">H-4709-CHSHQ</a>	1220-52006-0C
16	Interrupteur	5	<a href="#">H-4709-MSWQ</a>	1220-560002-00
17	Bouton d'avertisseur	1	-----	1120-342002-00
18	Goupille	2	-----	1120-342005-00
19	Ressort	2	-----	1120-342003-00
20	Support de bouton	1	-----	1120-342004-00

**BIG JOE<sup>MD</sup> – TRANSPALETTE  
ÉLECTRIQUE – 3 000 lb**

BOÎTIER DE TRANSMISSION/FREIN MOTEUR  
(JUSQU'AU N° DE SÉRIE 426150000)



**LISTE DES PIÈCES DU BOÎTIER DE TRANSMISSION/FREIN MOTEUR  
(JUSQU'AU N° DE SÉRIE 426150000)**

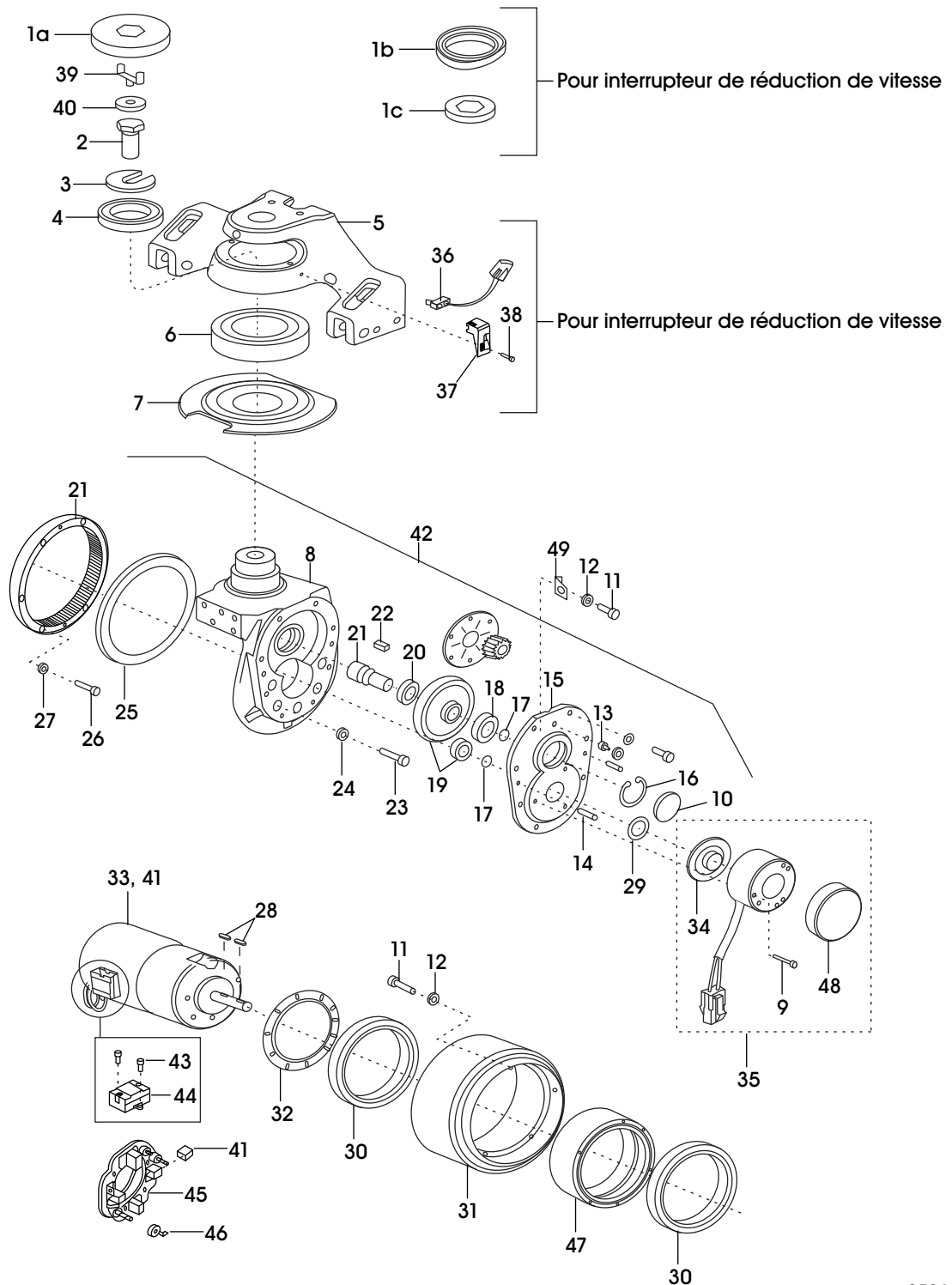
#	DESCRIPTION	QTÉ	RÉF. ULINE	RÉF. DU FABRICANT
1a	Rondelle en caoutchouc (utilisé jusqu'au 24-10-2012)	1	-----	1115-200012-00
1b	Guide (facultatif si le transpalette a un interrupteur de réduction de vitesse)	1	-----	1115-700002-00
1c	Pièce de connexion (facultatif si le transpalette a un interrupteur de réduction de vitesse)	1	-----	1115-700003-00
2	Boulon	1	<a href="#">H-4709-0011</a>	1115-200011-00
3	Plaque	1	<a href="#">H-4709-PLATE</a>	1115-200009-0A
4	Roulement	1	<a href="#">H-4709-BEAR</a>	0000-000657-00
5a	Pont de charge (utilisé jusqu'au n° de série E2116209)	1	-----	1115-200008-00
5b	Pont de charge (utilisé à partir du n° de série E2116210)	1	-----	1115-200008-0B
6	Roulement	1	<a href="#">H-4709-0668</a>	0000-000668-00
7	Plaque-couvercle ronde	1	<a href="#">H-4709-RCP</a>	1115-200006-0A
8	Boîtier d'engrenages	1	<a href="#">H-4709-GEAR</a>	1115-210001-0A
9	Vis	3	-----	0000-000665-00
10	Bouchon de transmission	1	-----	1115-200007-00
11	Vis	8	<a href="#">H-4709-SC386</a>	0000-000386-00
12	Rondelle	8	-----	0000-000056-00
13	Graisseur	1	<a href="#">H-4709-GRSFQ</a>	0000-000013-00
14	Goupille	2	-----	0000-000704-00
15	Couvercle du boîtier d'engrenages	1	<a href="#">H-4709-GCVR</a>	1115-200001-00
16	Attache	1	-----	0000-000658-00
17	Attache	2	<a href="#">H-4709-CM15</a>	0000-000659-00
18	Roulement	1	<a href="#">H-4709-BR619</a>	0000-000667-00
19	Ensemble d'engrenages en spirale (comprend deux engrenages)	1	<a href="#">H-4709-GK10</a>	1115-GSX-10
20	Roulement	1	<a href="#">H-4709-BR680</a>	0000-000680-00
21	Ensemble d'engrenages en spirale (comprend deux engrenages)	1	<a href="#">H-4709-GK20</a>	1115-GSX-20
22	Clé	1	<a href="#">H-4709-KY660</a>	0000-000660-00
23	Vis (utilisé jusqu'au 05-08-2012)	5	-----	0000-000154-00
23	Vis (utilisé jusqu'au 05-09-2012)	5	<a href="#">H-4709-23</a>	0000-000026-00
24	Rondelle de blocage	5	<a href="#">H-4709-LW159</a>	0000-000159-00
25	Joint étanche à l'huile	1	<a href="#">H-4709-OSEAL</a>	0000-000670-00
26	Vis	6	<a href="#">H-4709-SC661</a>	0000-000661-00
27	Rondelle	6	<a href="#">H-4709-206</a>	0000-000206-00
28	Rainure de clavette	2	<a href="#">H-4709-KEY</a>	0000-000662-00
29	Joint étanche à l'huile	1	<a href="#">H-4709-29</a>	0000-000671-00
30	Roulement	2	<a href="#">H-4709-61824</a>	0000-000663-00
31	Roue motrice – 1ere gén.	1	<a href="#">H-4709DW</a>	1115-220000-00

**LISTE DES PIÈCES DU BOÎTIER DE TRANSMISSION/FREIN MOTEUR (SUITE)  
(JUSQU'AU N° DE SÉRIE 426150000)**

#	DESCRIPTION	QTÉ	RÉF. ULINE	RÉF. DU FABRICANT
32	Défecteur d'entraînement	1	<a href="#">H-4709-BAFFL</a>	1115-200010-00
33	Moteur d'entraînement (remplacé par 1115-250000-00)	1	-----	1115-230000-00
33	Moteur d'entraînement	1	<a href="#">H-4709-DMTR</a>	1115-250000-00
34	Disque de frein	1	-----	1115-240001-00
35	Système de freinage (remplacé par 1115-520012-0A) Comprend : • Vis n° 9 (1) • Disque de frein n° 34 (1)	1	<a href="#">H-4709BASSY</a>	1115-520012-00
36	Interrupteur et faisceau de réduction de vitesse (seulement si le transpalette a un interrupteur de réduction de vitesse)	1	<a href="#">H-4709-SRSQ</a>	1115-520018-00
37	Socle de fixation (seulement si le transpalette a un interrupteur de réduction de vitesse)	1	-----	1115-700001-00
38	Vis M4 x 10 (seulement si le transpalette a un interrupteur de réduction de vitesse)	2	-----	0000-000701-00
39	Guide-fil (utilisé à partir du 25-10-2012)	1	<a href="#">H-4709-WRGD</a>	1115-500012-00
40	Rondelle plate M8	1	<a href="#">H-4709-M8FWS</a>	0000-001007-00
41	Brosse pour moteur d'entraînement (vendu à l'unité)	4	<a href="#">H-4709-BRSHQ</a>	1115-230001-00
41	Brosse pour moteur d'entraînement (utilisé à partir du 05-09-2012)	4	-----	1115-250001-00
42	Mécanisme d'entraînement Comprend : • Mécanisme d'entraînement (1) • Plaque-couvercle ronde (1)	1	<a href="#">H-4709-DUA</a>	1115-200000-00
43	Vis	2	<a href="#">H-4709-004</a>	0000-000004-00
44	Bloc de jonction	1	<a href="#">H-4709-TBLCK</a>	1115-231000-00
45	Porte-brosse (utilisé à partir du 05-09-2012)	1	-----	1115-250003-00
46	Ressort – Brosse de moteur (utilisé à partir du 06-09-2012)	4	-----	1115-250002-00
	Guide (non illustré) (facultatif si le transpalette a un interrupteur de réduction de vitesse)	1	-----	1115-700002-00
	Pièce de connexion (non illustré) (facultatif si le transpalette a un interrupteur de réduction de vitesse)	1	-----	1115-700003-00
	Attache (non illustré)	1	<a href="#">H-4709-TNKCL</a>	1115-560018-00
	Plaque-couvercle (non illustré)	1	<a href="#">H-4709CPLATE</a>	115BG-500001-00

**BIG JOE<sup>MD</sup> – TRANSPALETTE  
ÉLECTRIQUE – 3 000 lb**

**BOÎTIER DE TRANSMISSION/FREIN MOTEUR  
(À PARTIR DU N° DE SÉRIE 426150001)**



**BIG JOE<sup>MD</sup> – TRANSPALETTE  
ÉLECTRIQUE – 3 000 lb****LISTE DES PIÈCES DU BOÎTIER DE TRANSMISSION/FREIN MOTEUR  
(À PARTIR DU N° DE SÉRIE 426150001)**

#	DESCRIPTION	QTÉ	RÉF. ULINE	RÉF. DU FABRICANT
1a	Rondelle en caoutchouc (utilisé jusqu'au 24-10-2012)	1	-----	1115-200012-00
1b	Guide (facultatif si le transpalette a un interrupteur de réduction de vitesse)	1	-----	1115-700002-00
1c	Pièce de connexion (facultatif si le transpalette a un interrupteur de réduction de vitesse)	1	-----	1115-700003-00
2	Boulon	1	<a href="#">H-4709-0011</a>	1115-200011-00
3	Plaque	1	<a href="#">H-4709-PLATE</a>	1115-200009-0A
4	Roulement	1	<a href="#">H-4709-BEAR</a>	0000-000657-00
5	Pont de charge	1	-----	1115-200008-0B
6	Roulement	1	<a href="#">H-4709-0668</a>	0000-000668-00
7a	Plaque-couvercle ronde (utilisé jusqu'au n° de série 4281002525)	1	<a href="#">H-4709-RCP</a>	1115-200006-0A
7b	Plaque-couvercle ronde (utilisé à partir du n° de série 4281002525)	1	-----	1115-200006-10
8	Boîtier d'engrenage	1	<a href="#">H-4709-GEAR</a>	1115-210001-0A
9	Vis (utilisé jusqu'au n° de série 426200143)	3	-----	0000-000665-00
9	Vis M4 x 45 mm (utilisé à partir du n° de série 426200144)	3	<a href="#">H-7505-M4X45</a>	1115-240003-0A
10	Bouchon de transmission	1	-----	1115-200007-00
11	Vis (utilisé jusqu'au n° de série 427211547)	8	<a href="#">H-4709-SC386</a>	0000-000386-00
12	Rondelle	8	-----	0000-000056-00
13	Graisser	1	<a href="#">H-4709-GRSFQ</a>	0000-000013-00
14	Goupille	2	-----	0000-000704-00
15	Couvercle du boîtier d'engrenages	1	<a href="#">H-4709-GCVR</a>	1115-200001-00
16	Attache	1	-----	0000-000658-00
17	Attache	2	<a href="#">H-4709-GK10</a>	0000-000659-00
18	Roulement	1	<a href="#">H-4709-BR619</a>	0000-000667-00
19	Ensemble d'engrenages en spirale (comprend deux engrenages)	1	<a href="#">H-4709-GK10</a>	1115-GSX-10
20	Roulement	1	<a href="#">H-4709-BR680</a>	0000-000680-00
21	Ensemble d'engrenages en spirale (utilisé jusqu'au n° de série 427211547) (comprend deux engrenages)	1	<a href="#">H-4709-GK20</a>	1115-GSX-20
21	Ensemble d'engrenages en spirale (utilisé à partir du n° de série 427211548) (comprend deux engrenages)	1	<a href="#">H-4709-GK2A</a>	1115-GSX-2A
22	Clé du système de freinage	1	<a href="#">H-4709-KY660</a>	0000-000660-00
23	Vis	5	<a href="#">H-4709-23</a>	0000-000026-00
24	Rondelle de blocage	5	<a href="#">H-4709-LW159</a>	0000-000159-00
25	Joint étanche à l'huile	1	<a href="#">H-7505-OS</a>	0000-001788-00
26a	Vis d'assemblage à tête Allen M5 x 25 mm (utilisé jusqu'au n° de série 4281205273)	6	<a href="#">H-4709-M5X25</a>	3020-010000-91
26b	Vis d'assemblage à tête Allen M5 x 25 mm (utilisé à partir du n° de série 4281205273)	6	<a href="#">H-4709-AHCS</a>	1115-200021-DO

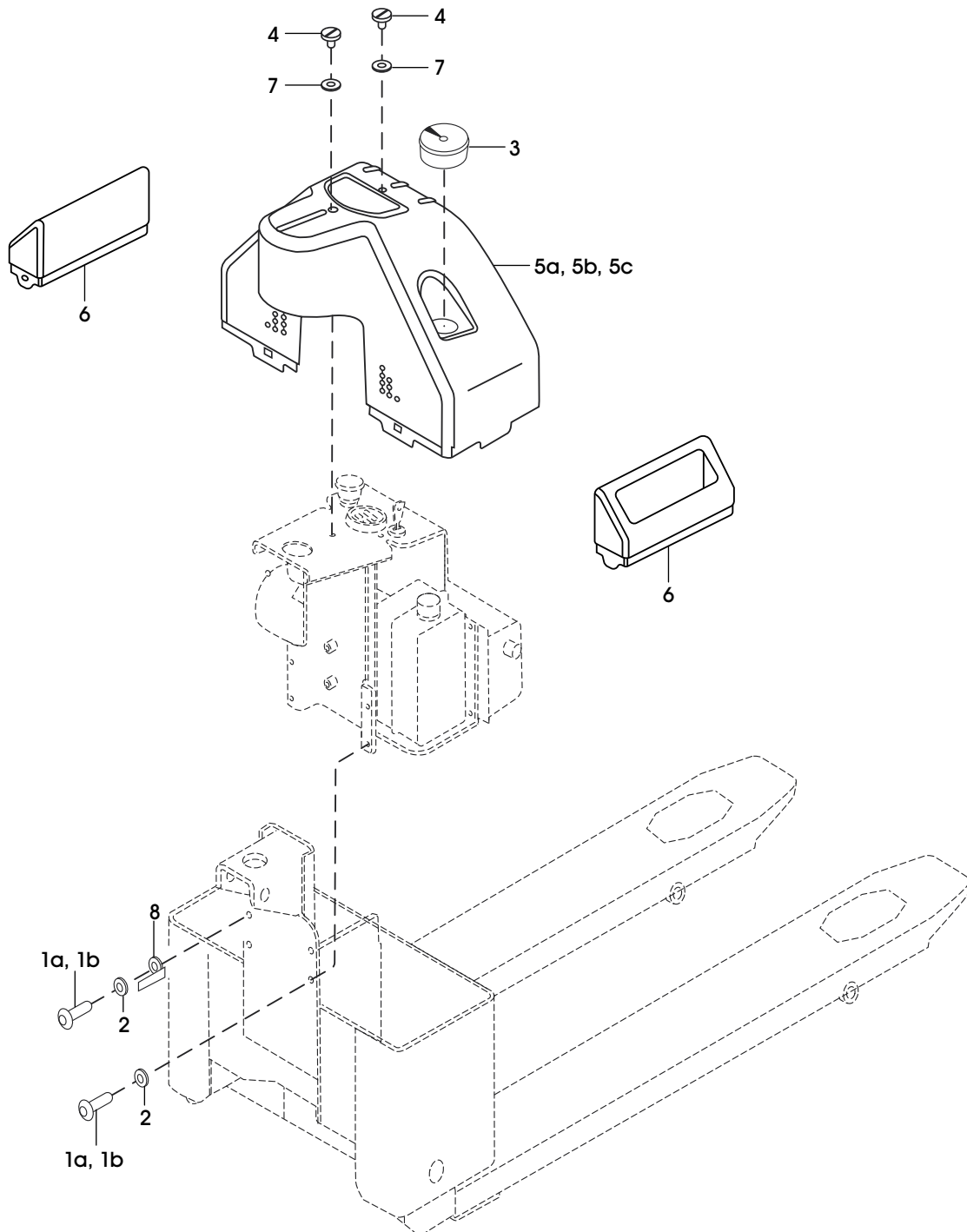
**BIG JOE<sup>MD</sup> – TRANSPALETTE  
ÉLECTRIQUE – 3 000 lb****LISTE DES PIÈCES DU BOÎTIER DE TRANSMISSION/FREIN MOTEUR (SUITE)  
(À PARTIR DU N° DE SÉRIE 426150001)**

#	DESCRIPTION	QTÉ	RÉF. ULINE	RÉF. DU FABRICANT
27	Rondelle	6	<a href="#">H-4709-206</a>	0000-000206-00
28	Rainure de clavette	2	<a href="#">H-4709-KEY</a>	0000-000662-00
29	Joint étanche à l'huile	1	<a href="#">H-4709-29</a>	0000-000671-00
30	Roulement	2	<a href="#">H-4709-61824</a>	0000-000663-00
31	Roue motrice – 3e gén.	1	<a href="#">H-4709-DW2</a>	1115-220000-DO
32	Défecteur d'entraînement	1	<a href="#">H-4709-BAFFL</a>	1115-200010-00
33	Moteur d'entraînement	1	<a href="#">H-4709-DMTR</a>	1115-250000-00
34	Disque de frein	1	-----	1115-240001-00
35	Système de freinage (remplacé par 1115-520012-0A) (utilisé jusqu'au n° de série 426200143) Comprend : • Vis n° 9 (1) • Disque de frein n° 34 (1) • Joint racleur n° 48 (1)	1	<a href="#">H-4709BASSY</a>	1115-520012-00
35	Système de freinage (utilisé à partir du numéro de série 426200144)	1	<a href="#">H-4709NBRK</a>	1115-520012-20
36	Interrupteur et faisceau de réduction de vitesse (facultatif si le transpalette a un interrupteur de réduction de vitesse)	1	<a href="#">H-4709-SRSQ</a>	1115-520018-00
37	Socle de fixation (facultatif si le transpalette a un interrupteur de réduction de vitesse)	1	-----	1115-700001-00
38	Vis M4 x 10 (facultatif si le transpalette a un interrupteur de réduction de vitesse)	2	-----	0000-000701-00
39	Guide-fil	1	<a href="#">H-4709-WRGD</a>	1115-500012-00
40	Rondelle plate M8	1	<a href="#">H-4709-M8FWS</a>	0000-001007-00
41	Brosses pour moteur d'entraînement	4	-----	1115-250001-00
42	<b>Ensemble d'unité d'entraînement</b> Comprend : • Moteur • Roue • BR (n° 8 à 35)	1	<a href="#">H-4709-GEAR</a>	1115-200000-AO
43	Vis	2	<a href="#">H-4709-004</a>	0000-000004-00
44	Bloc de jonction	1	<a href="#">H-4709-TBLCK</a>	1115-231000-00
45	Porte-brosse	1	-----	1115-250003-00
46	Ressort – Brosse de moteur	4	-----	1115-250002-00
47	Jante intérieure (utilisée jusqu'au n° de série 4281205273) Comprend : • Jante intérieure (1) • Vis M5 x 30 mm (6) • Rondelle (6)	1	<a href="#">H-4709-IR</a>	977021
47a	Jante intérieure (utilisée à partir du n° de série 4281205273)	1	<a href="#">H-4709-IRIM</a>	1115-200001-DO
48	Joint racleur (utilisé à partir du n° de série 426200144)	1	-----	1115-240002-0A
49	Plaque (utilisé à partir du n° de série 427190827)	1	<a href="#">H-4709-BPLI</a>	1115-200020-00

**LISTE DES PIÈCES DU BOÎTIER DE TRANSMISSION/FREIN MOTEUR (SUITE)  
(À PARTIR DU N° DE SÉRIE 426150001)**

#	DESCRIPTION	QTÉ	RÉF. ULINE	RÉF. DU FABRICANT
	Pièce de connexion (non illustré) (facultatif si le transpalette a un interrupteur de réduction de vitesse)	1	-----	1115-700003-00
	Roue motrice, profilée (non illustré) (utilisé jusqu'au n° de série 427211547) (pour le n° de série 42615001 et supérieur)	1	-----	1115-220000-B0
	Roue motrice, profilée (non illustré) (utilisé à partir du n° de série 427211548)	1	<a href="#">H-7505-DRIVQ</a>	1115-220000-E0
	Système de freinage (non illustré) (utilisé entre les n°s de série 426200144 et 427190826)	1	<a href="#">H-4709BASSY</a>	1115-520012-0A
	Système de freinage (non illustré) (utilisé entre les n°s de série 426200144 et 427190827)	1	-----	1115-520012-10

COUVERCLE DU CAISSON

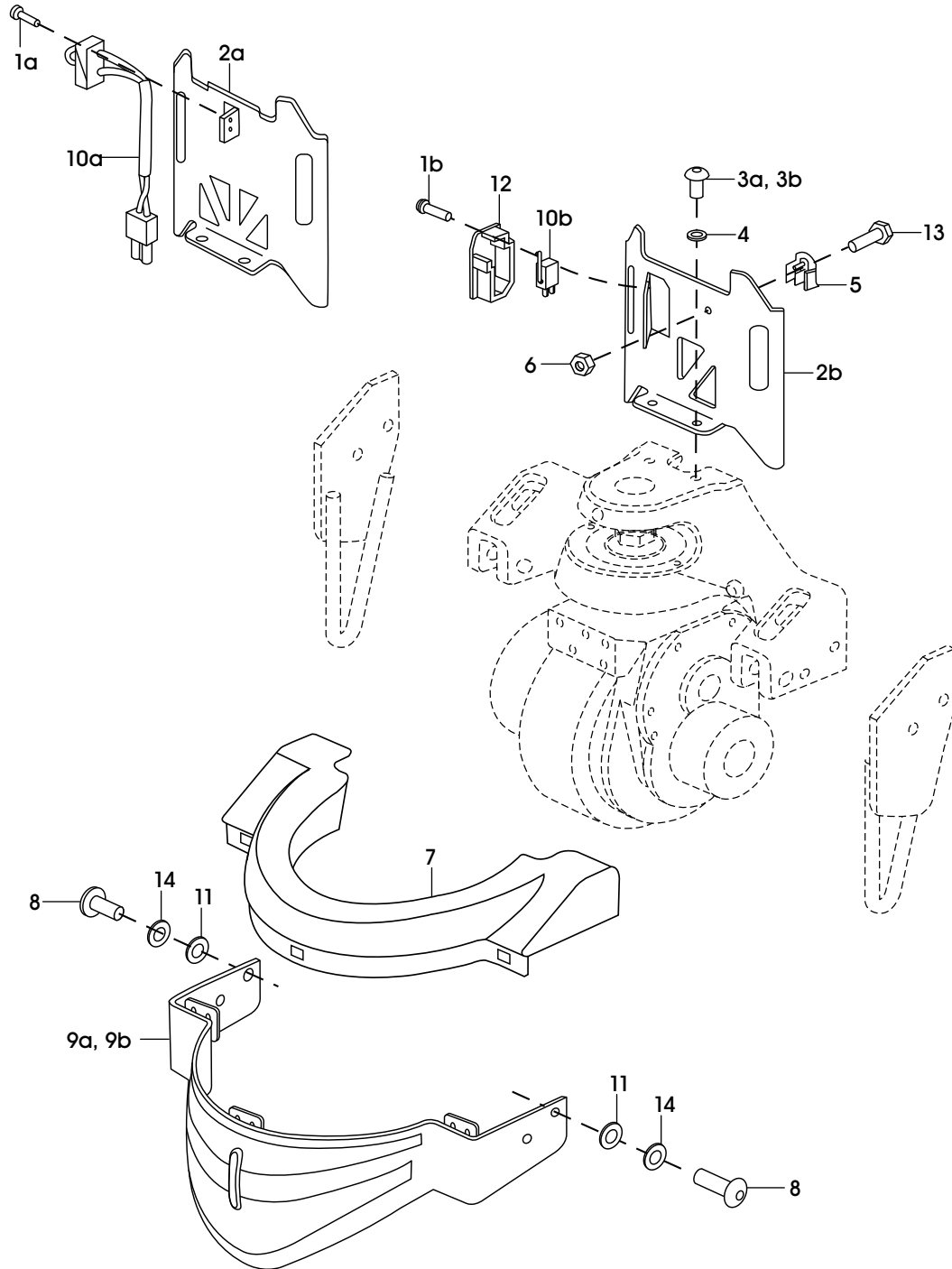


## LISTE DES PIÈCES DU COUVERCLE DU CAISSON

#	DESCRIPTION	QTÉ	RÉF. ULINE	RÉF. DU FABRICANT
1a	Vis (utilisé jusqu'au 24-10-2012)	4	-----	0000-000179-00
1b	Vis (utilisé à partir du 25-10-2012)	4	<a href="#">H-4709-7700</a>	0000-000077-00
2	Rondelle plate	4	<a href="#">H-4709-M6WSH</a>	0000-000123-00
3	Capuchon du chargeur	1	<a href="#">H-4709CAP</a>	1115-120002-00
4	Vis M6 x 25 (utilisé jusqu'au n° de série 427153083)	2	<a href="#">H-4710-SCREW</a>	1120-150004-00
5a	Couvercle – Big Joe, jaune	1	<a href="#">H-4709COVER</a>	1115-120001-00
5b	Couvercle – EP, rouge	1	-----	1115-120001-00-01
5c	Couvercle RAL 2008, orange	1	<a href="#">H-4709-02</a>	1115-120001-00-02
6	Couvercle (remplacé par 1115-120003-N0) (utilisé jusqu'au n° de série 424191006)	2	-----	1115-120003-00
7	Rondelle	2	<a href="#">H-4710-10WSH</a>	2214-150002-00
8	Borne serre-fil (utilisé à partir du 25-10-2012 et plus tard)	1	-----	1115-500013-00
	Compartiment de rangement E30 – Big Joe, jaune (non illustré) (utilisé à partir du n° de série 424191007)	2	<a href="#">H-4709SCOVER</a>	1115-120003-n0
	Couvercles latéraux – Rouge (non illustré) (utilisé à partir du n° de série 424191006)	2	-----	1115-120003-00-01
	Compartiment de rangement E30 – Rouge (non illustré) (utilisé à partir du n° de série 424191007)	2	-----	1115-120003-n0-01
	Couvercle (non illustré) (utilisé à partir du n° de série 424191006)	2	-----	1115-120003-00-02
	Couvercle, compartiment de rangement RAL 2008, orange (non illustré) (utilisé à partir du n° de série 424191007)	2	-----	1115-120003-n0-02
	Décalcomanie des instructions relatives au chargement (non illustré)	1	<a href="#">H-4709-DECAL</a>	901809

**BIG JOE<sup>MD</sup> – TRANSPALETTE  
ÉLECTRIQUE – 3 000 lb**

CAISSON  
(JUSQU'AU N° DE SÉRIE 427190907)

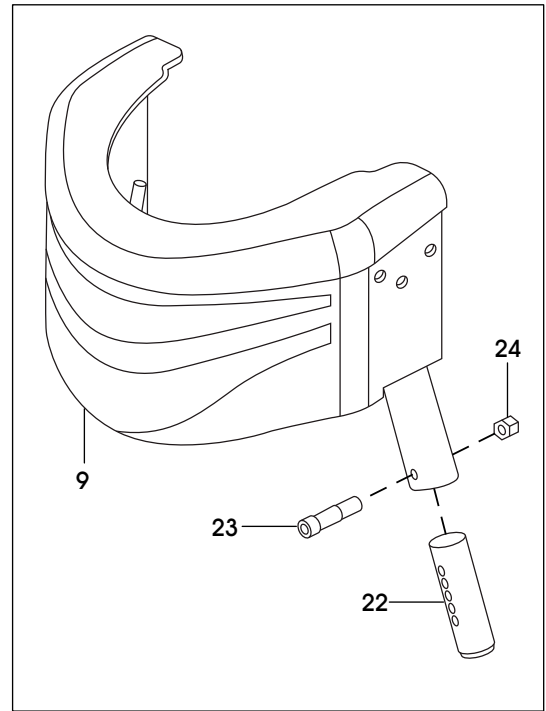
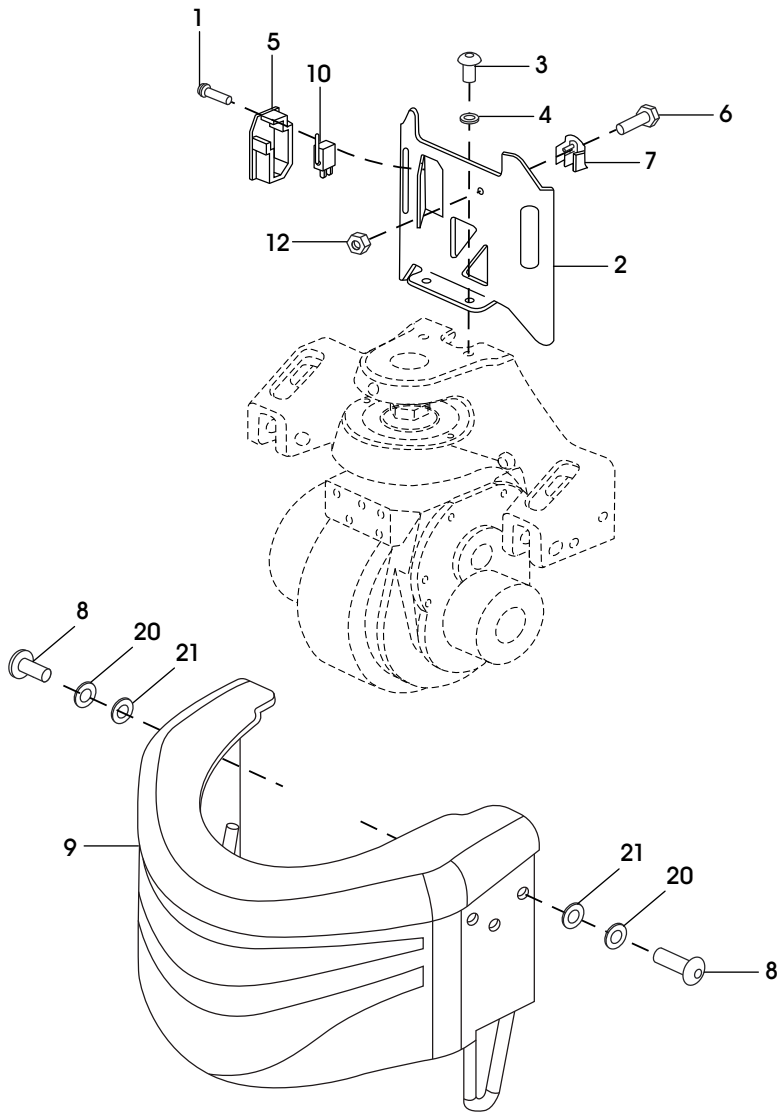


**LISTE DES PIÈCES DU CAISSON  
(JUSQU'AU N° DE SÉRIE 42719097)**

#	DESCRIPTION	QTÉ	RÉF. ULINE	RÉF. DU FABRICANT
1a	Vis M2 x 12 ST (utilisé jusqu'au n° de série E2120047)	2	<a href="#">H-4709-M2X12</a>	0000-000989-00
1b	Vis M3 x 20 (utilisé à partir du n° de série E2120048)	2	<a href="#">H-7505-M3X20</a>	0000-000981-00
2a	Support (utilisé jusqu'au n° de série E2120047)	1	-----	1115-540000-00
2b	Support (utilisé à partir du n° de série E2120048)	1	<a href="#">H-4709-PBRKT</a>	1115-500015-00
3a	Vis (utilisé jusqu'au 01-02-2012)	2	-----	0000-000179-00
3b	Vis (utilisé jusqu'au 01-02-2012)	2	<a href="#">H-4709-7700</a>	0000-000077-00
4	Rondelle plate	2	<a href="#">H-4709-M6WSH</a>	0000-000123-00
5	Borne serre-fil (utilisé à partir du n° de série E2120048)	1	<a href="#">H-4709-WCLMP</a>	1115-500011-00
6	Écrou (utilisé à partir du n° de série E2120048)	1	<a href="#">H-4709-NUT</a>	0000-000923-00
7	Couvercle	1	<a href="#">H-4709-BLCVR</a>	1115-121001-00
8a	Vis M10 x 25 (utilisé jusqu'au n° de série 424210638)	6	-----	0000-000655-00
8b	Vis M10 x 25 ; tête (utilisé à partir du n° de série 424210638)	6	<a href="#">H-4709M10X25</a>	0000-000494-00
9a	Couvercle (remplacé par 1115-121100-0A) (utilisé à partir du n° de série E2221098)	1	-----	1115-121100-00
9b	Protection de la roue motrice (utilisé à partir du n° de série E2221099)	1	<a href="#">H-4709-TCOWL</a>	1115-121100-0A
10a	Interrupteur de fin de course (utilisé à partir du n° de série E2120047)	1	-----	1115-520006-00
10b	Interrupteur de fin de course (utilisé à partir du n° de série E2120048)	1	<a href="#">H-4709SLIMIT</a>	1115-500017-00
11	Rondelle plate	6	<a href="#">H-4709-FWASH</a>	0000-000007-00
12	Support (utilisé à partir du n° de série E2120048)	1	<a href="#">H-4709-CLAMP</a>	1115-500014-00
13	Boulon (utilisé à partir du n° de série E2120048)	1	<a href="#">H-4709-BOLT</a>	0000-000988-00
14	Rondelle (utilisé à partir du n° de série E2221099)	6	<a href="#">H-4709-19</a>	0000-000063-00

**BIG JOE<sup>MD</sup> – TRANSPALETTE  
ÉLECTRIQUE – 3 000 lb**

CAISSON (SUITE)  
(À PARTIR DU N° DE SÉRIE 427190908)

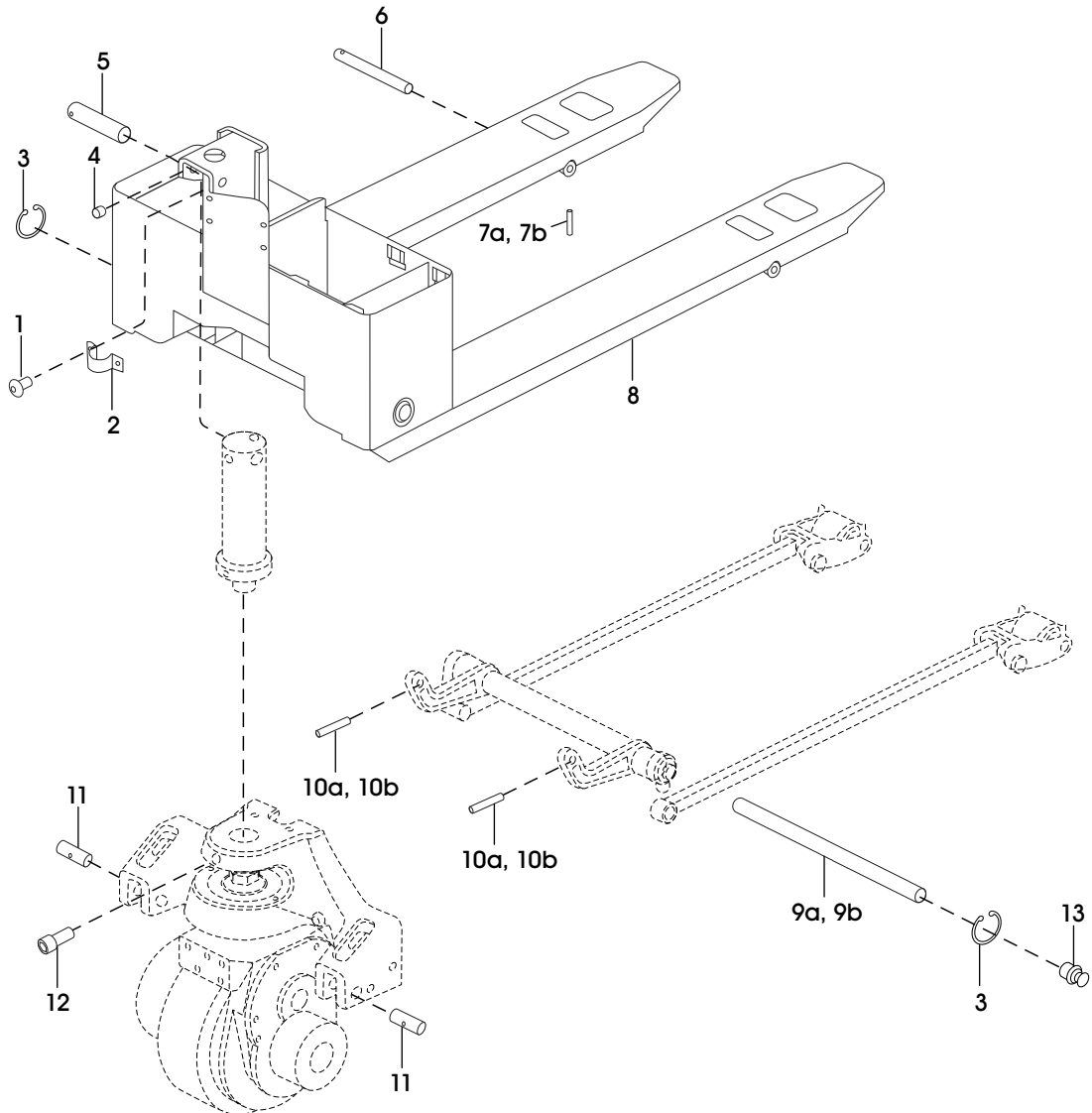


Optionnel

**LISTE DES PIÈCES DU CAISSON (SUITE)  
(À PARTIR DU N° DE SÉRIE 427190908)**

#	DESCRIPTION	QTÉ	RÉF. ULINE	RÉF. DU FABRICANT
1	Vis M3 x 20	2	<a href="#">H-7505-M3X20</a>	0000-000981-00
2	Attache de fixation	1	<a href="#">H-4709BRACKT</a>	1115-500015-00
3	Vis	2	<a href="#">H-4709-7700</a>	0000-000077-00
4	Rondelle plate	2	<a href="#">H-4709-M6WSH</a>	0000-000123-00
5	Support	1	<a href="#">H-4709-CLAMP</a>	1115-500014-00
6	Boulon	1	<a href="#">H-4709-BOLT</a>	0000-000988-00
7	Borne serre-fil, 2 câbles	1	<a href="#">H-7505-ACUTR</a>	1115-500011-0A
8	Vis	6	<a href="#">H-4709-56</a>	3020-000000-56
9	Protection inférieure avec pieds de soutien	1	<a href="#">H-4709-LCBS</a>	1115-122000-A0
9	Protection inférieure avec fixation en polyéthylène UHMW (optionnel – pièces d'insertion et matériel d'installation non compris)	1	<a href="#">H-4709-D0</a>	1115-122000-D0
10	Interrupteur de limite de levage	1	<a href="#">H-4709SLIMIT</a>	1115-500017-00
12	Écrou	1	<a href="#">H-4709-NUT</a>	0000-000923-00
20	Rondelle	6	<a href="#">H-4709-19</a>	0000-000063-00
21	Rondelle plate	6	<a href="#">H-4709-FWASH</a>	0000-000007-00
22	Pièce d'insertion pour barre stabilisatrice ajustable (optionnel)	2	-----	1115-140005-K0
23	Vis (optionnel)	2	-----	0000-001102-00
24	Écrou (optionnel)	2	<a href="#">H-4705-4000</a>	0000-000740-00
	Rondelle plate (non illustré)	2	-----	0000-000373-00
	Rondelle (non illustré)	6	<a href="#">H-4709-19</a>	0000-000630-00
	Ensemble de la roulette (non illustré)	2	-----	1115-160000-B0

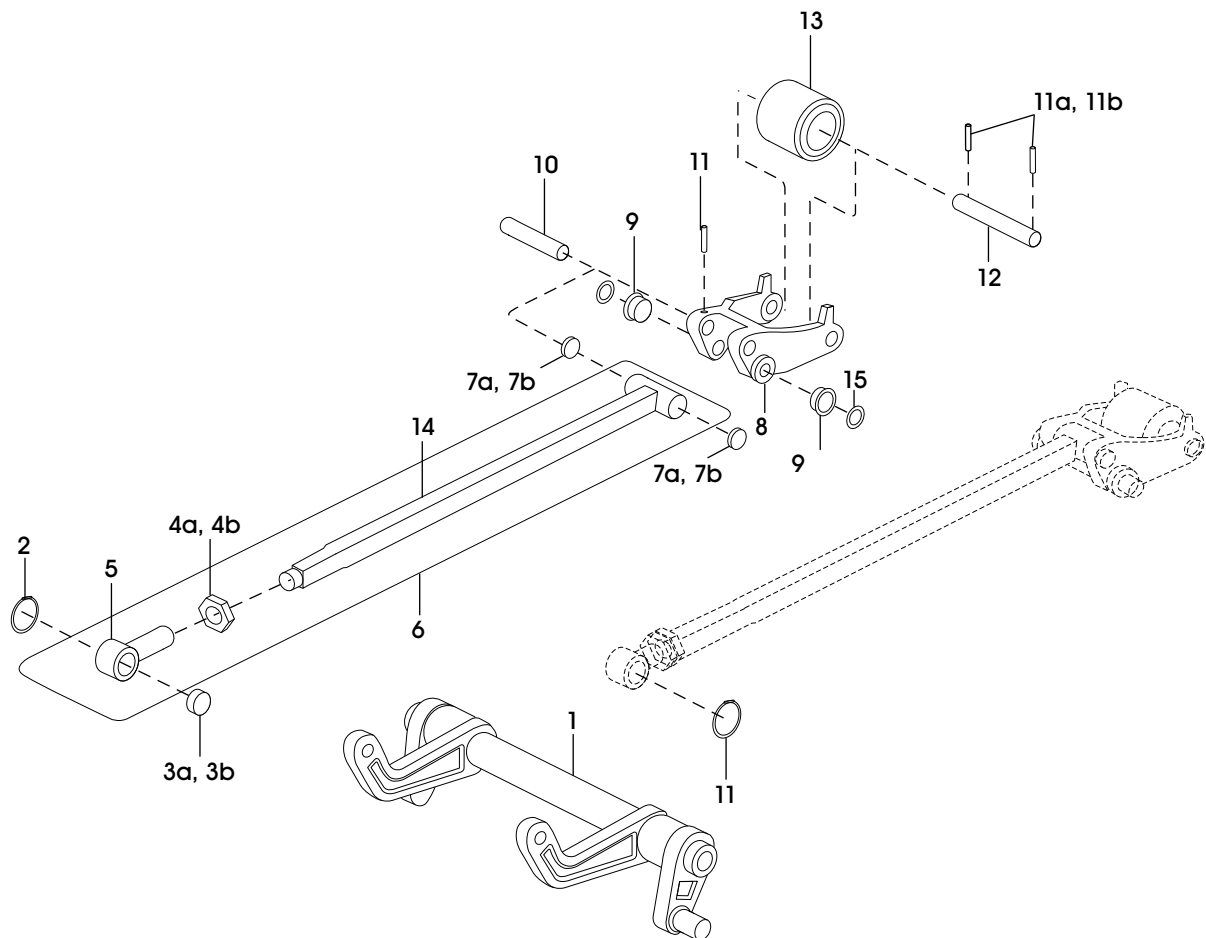
CHÂSSIS



## LISTE DES PIÈCES DU CHÂSSIS

#	DESCRIPTION	QTÉ	RÉF. ULINE	RÉF. DU FABRICANT
1	Vis	2	<a href="#">H-4709-3</a>	0000-000651-00
2	Attache de fixation	1	<a href="#">H-4709-CLIP1</a>	1115-500002-00
3	Attache	2	<a href="#">H-4709-CLIP</a>	0000-000650-00
4	Vis	2	<a href="#">H-4710-M6X8</a>	0000-000016-00
5	Goupille de fixation du vérin de levage	1	-----	1115-400001-00
6	Arbre de tige de traction avant	2	<a href="#">H-4709-FPRS</a>	1115-1300004-0A
7a	Goupille cylindrique (utilisé jusqu'au n° de série 424150330)	2	<a href="#">H-4709-RPIN</a>	0000-000708-00
7b	Goupille droite fendue de type ressort 5 x 30 (utilisé à partir du n° de série 424150331)	2	<a href="#">H-4709-M5X30</a>	0000-001456-00
8	Châssis avant	1	-----	1115-110000-40
9a	Arbre long de soutien (utilisé jusqu'au n° de série 427120607)	1	<a href="#">H-4709-RPRS</a>	1115-130002-40
9b	Arbre de tige de traction arrière E30 (utilisé à partir du n° de série 427120608)	1	<a href="#">H-4709-RPRS</a>	1115-130002-4B
10a	Goupille cylindrique (utilisé jusqu'au n° de série 424150330)	2	<a href="#">H-4709-M4XM5</a>	0000-000654-00
10b	Goupille cylindrique M4 x 45 (utilisé à partir du n° de série 424150331)	2	<a href="#">H-4709-M4X45</a>	0000-001458-00
11	Tige de manche	2	<a href="#">H-4709-SHAFT</a>	1115-130001-00
12	Vis (utilisé jusqu'au n° de série E2116209)	1	<a href="#">H-4709-SC032</a>	0000-000032-00
12	Vis (utilisé à partir du n° de série E2116210)	1	<a href="#">H-4709-15500</a>	0000-000155-00
13	Graisneur (utilisé à partir du n° de série 427120608)	2	<a href="#">H-4709-GRSFQ</a>	0000-000013-00

ENSEMBLE DE LA BIELLE DE LEVAGE

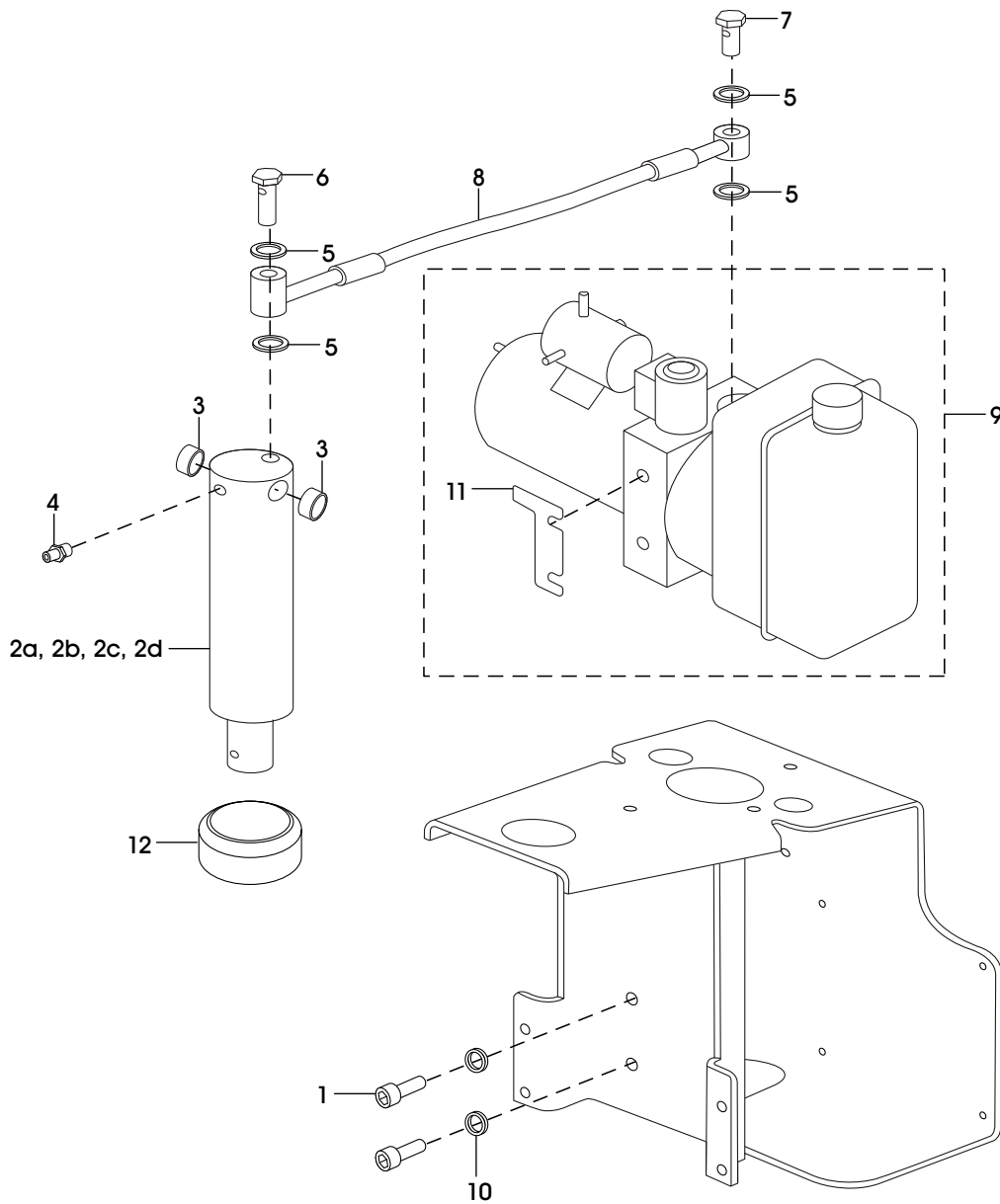


## LISTE DES PIÈCES DE LA BIELLE DE LEVAGE

#	DESCRIPTION	QTÉ	RÉF. ULINE	RÉF. DU FABRICANT
1	Bielle inférieure 30 (fourche de 27 po de largeur)	1	-----	1115-131000-40
2	Attache	2	<a href="#">H-4709-M25Q</a>	0000-000294-00
3a	Bague (utilisé jusqu'au 21-02-2012)	2	-----	0000-000675-00
3b	Bague (utilisé à partir du 22-02-2012)	2	<a href="#">H-4709BUSHQ</a>	0000-000906-00
4a	Écrou (utilisé jusqu'au n° de série 427162916)	2	-----	0000-000101-00
4b	Écrou (utilisé à partir du n° de série 427162917)	2	-----	1121-132010-00
5	Connecteur (comprend bague et écrou)	2	<a href="#">H-4709-CONN</a>	1115-132100-00
6	Ensemble de la bielle longue – Fourche de 45 po	2	<a href="#">H-4709-LINK</a>	1115-132000-0B-04
7a	Bague (utilisé jusqu'au 21-02-2012)	4	<a href="#">H-4710-B2015</a>	0000-000011-00
7b	Bague (utilisé à partir du 22-02-2012)	4	<a href="#">H-4709-BSH</a>	0000-000907-00
8	Support de roue	2	<a href="#">H-4709WHLBRK</a>	1115-130005-4A
9	Bague (utilisé à partir du 22-02-2012)	4	<a href="#">H-4709-908Q</a>	0000-000908-00
10	Arbre de roue de fourche	2	<a href="#">H-4709LSHAFT</a>	1115-130003-00
11a	Goupille cylindrique (utilisé jusqu'au n° de série 424150330)	4	<a href="#">H-4709-RPIN</a>	0000-000708-00
11b	Goupille droite fendue de type ressort 5 x 30 (utilisé à partir du n° de série 424150331)	4	<a href="#">H-4709-M5X30</a>	0000-001456-00
12	Arbre de roue porteuse	2	<a href="#">H-4709WHLSHF</a>	1115-130007-40
13	Ensemble de la roue porteuse avec roulements	2	<a href="#">H-4709LASSY</a>	1115-133000-40
14	Longue tige	2	-----	1115-132200-00-04
15	Rondelle – Deux par support 1115-130005-4A (utilisé à partir du 29-11-2013)	2	<a href="#">H-4709-008Q</a>	1115-130008-00
	Roulement (non illustré)	1	<a href="#">H-4709BRNG</a>	0000-000020-00

**BIG JOE<sup>MD</sup> – TRANSPALETTE  
ÉLECTRIQUE – 3 000 lb**

SYSTÈME HYDRAULIQUE

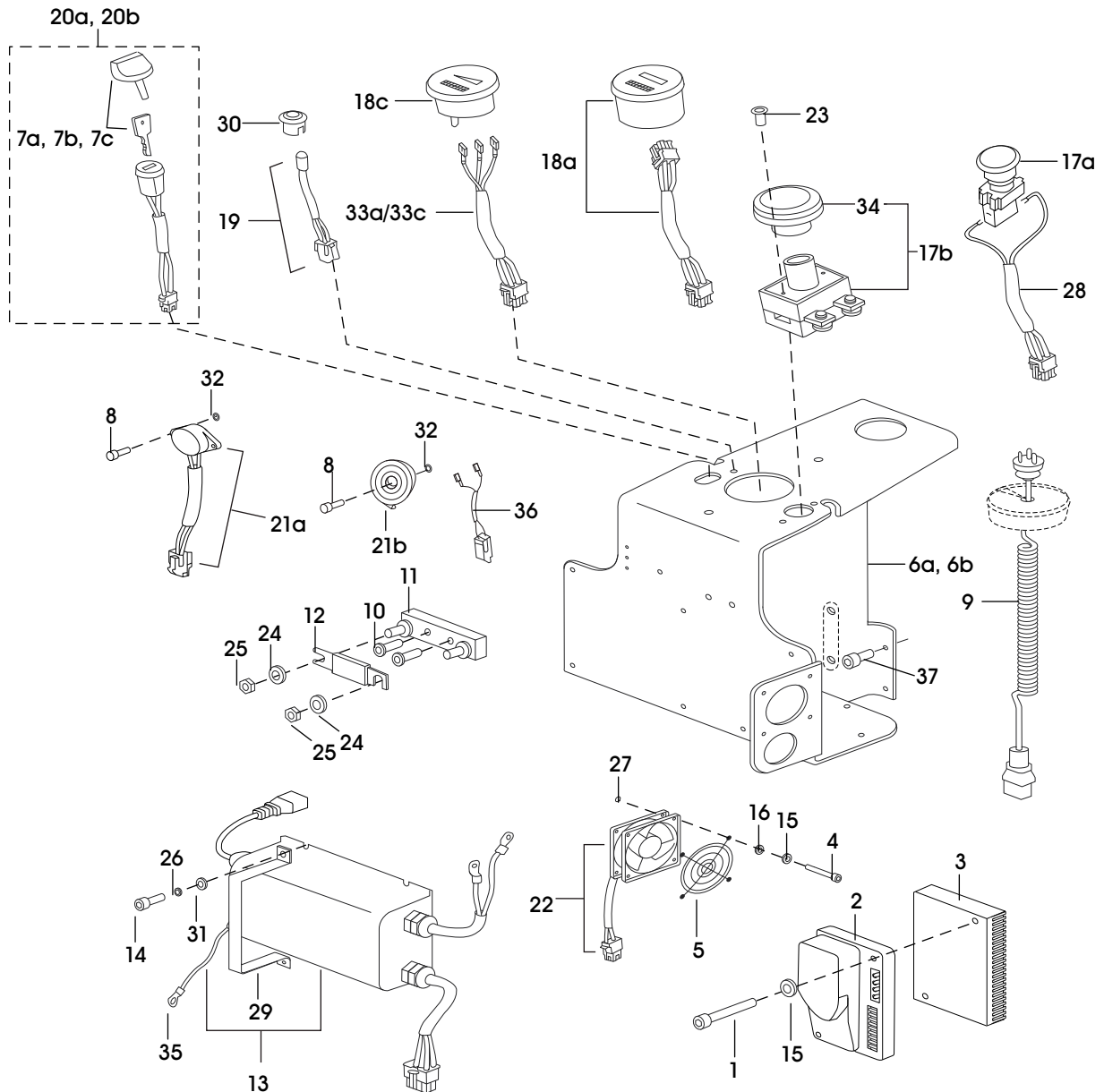


## LISTE DES PIÈCES DU SYSTÈME HYDRAULIQUE

#	DESCRIPTION	QTÉ	RÉF. ULINE	RÉF. DU FABRICANT
1	Vis	2	-----	0000-000109-00
2a	Vérin de levage (utilisé jusqu'au n° de série E2017219)	1	-----	1115-410000-00
2b	Vérin de levage (à utiliser avec n°s de série E2017220 à E2116209)	1	-----	1115-410000-0A
2c	Vérin de levage (à utiliser avec n°s de série E2116210 à 426192437)	1	<a href="#">H-4709-LCYL</a>	1115-410000-0B
2d	Vérin de levage (utilisé à partir du n° de série 426192438)	1	<a href="#">H-4709-CYLD</a>	1115-410000-0D
3	Bague	2	<a href="#">H-4709-BUSH</a>	0000-000705-00
4	Graisser	1	<a href="#">H-4709-GRSFQ</a>	0000-000013-00
5	Rondelle d'étanchéité	4	<a href="#">H-4709WASHER</a>	0000-000044-00
6	Boulon	1	<a href="#">H-4709-HB6</a>	2401-146000-00
7	Boulon	1	<a href="#">H-4709-HB7Q</a>	2401-143500-00
8	Tuyau hydraulique	1	<a href="#">H-4709HOSE</a>	1115-420000-00
9	Ensemble pompe et moteur (remplacé par 1115-430000-0A) Comprend : • Pompe (1) • Moteur (1)	1	<a href="#">H-4709-PUMP</a>	1115-510001-00
10	Rondelle de blocage	2	<a href="#">H-4709-LW159</a>	0000-000159-00
11	Cale (utilisé à partir du n° de série 425190003)	1	<a href="#">H-4709-BAFF</a>	1115-511004-0A
12	Bloc (utilisé à partir du n° de série E21162010)	1	<a href="#">H-4708-BLCK</a>	1115-400002-0B
	Solénoïde du moteur de la pompe (non illustré)	1	<a href="#">H-4709PMPMTR</a>	1115-560002-00

**BIG JOE<sup>MD</sup> – TRANSPALETTE  
ÉLECTRIQUE – 3 000 lb**

**SYSTÈME ÉLECTRIQUE**



## LISTE DES PIÈCES DU SYSTÈME ÉLECTRIQUE (SUITE)

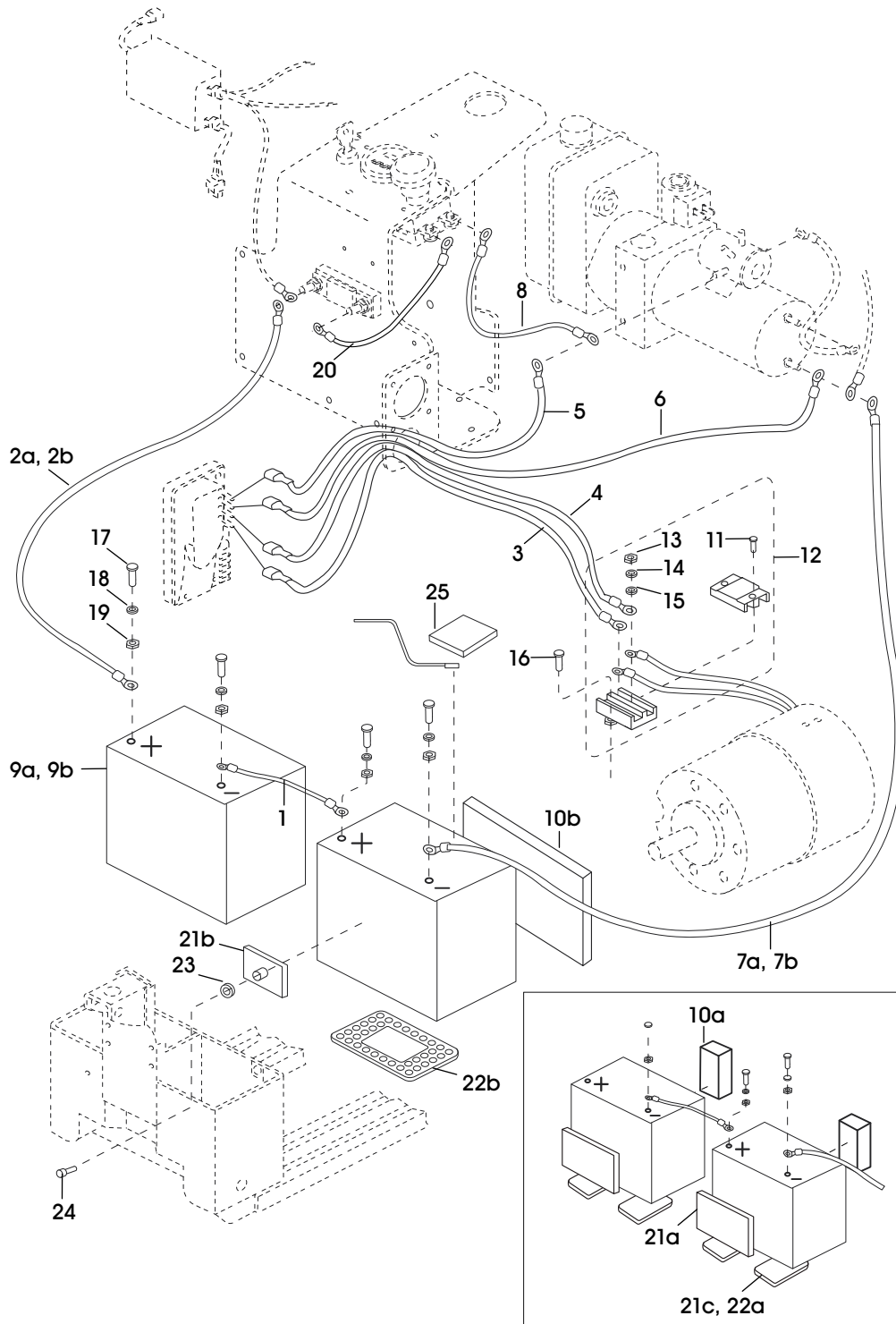
#	DESCRIPTION	QTÉ	RÉF. ULINE	RÉF. DU FABRICANT
1	Vis	2	<a href="#">H-7505-M4X45</a>	0000-000665-00
2	Dispositif de commande programmé pour E30	1	<a href="#">H-4709-E30</a>	1115-510004-00-40
3	Dissipateur thermique	1	<a href="#">H-4709-HS</a>	1115-510005-0A
4	Vis	4	<a href="#">H-7505-121</a>	0000-000121-00
5	Voilette	1	<a href="#">H-7505-FG</a>	1115-500007-00
6a	Support (utilisé jusqu'au n° de série 4281000747)	1	-----	1115-511002-40
6b	Support (utilisé à partir du n° de série 4281000748)	1	<a href="#">H-4709-BRKT</a>	1115-511000-0C
7	Clé en plastique moulé noir – Jeu de 2 pour interrupteur à clé bipolaire	2	<a href="#">H-5031</a>	1115-500016-00
8	Vis (utilisé à partir du n° de série 4281403798)	2	<a href="#">H-4709-004</a>	0000-000004-00
9	Câble du chargeur	1	<a href="#">H-4709CHRCBL</a>	1120-510002-18
10	Vis	2	<a href="#">H-4710-M6X16</a>	0000-000126-00
11	Porte-fusible	1	<a href="#">H-4709-FHLDR</a>	1120-540001-00-B
12	Fusible	1	<a href="#">H-4709-FUSE</a>	1115-510003-00
13	Ensemble du chargeur 15 A (utilisé à partir du n° de série 424160585)	1	<a href="#">H-4709CHRGR</a>	1115-520014-30
14	Vis	4	<a href="#">H-4709-SC31</a>	0000-000031-00
15	Rondelle de blocage 4	6	<a href="#">H-7505-WASH4</a>	0000-000122-00
16	Rondelle plate 4	4	<a href="#">H-7505-FW4</a>	0000-000702-00
17a	Interrupteur d'arrêt d'urgence (remplacé par 1113-500012-01) (utilisé uniquement sur les n°s de série : E2013118, E2013122, E2013189, E2013190, E2013191, E2013192, E2013117, E2013119, E2013120, E2013121, E2013125, E2013128, E2013126, E2013123)	1	<a href="#">H-7505-ERSWQ</a>	3218-604000-00
17b	Interrupteur d'arrêt d'urgence (pour tous les transpalettes ne figurant pas au n° 17)	1	<a href="#">H-4779</a>	1115-510008-00
18a	Ensemble d'indicateur de décharge de batterie (utilisé avant le n° de série 4311301787) Comprend : • Indicateur de décharge de batterie avec horomètre • Faisceau de câbles d'indicateur de décharge de batterie	1	<a href="#">H-4709-BDIKT</a>	901851
18c	Indicateur de décharge de batterie avec horomètre (utilisé à partir du n° de série 4311301787)	1	<a href="#">H-4710-BIMTR</a>	2105-500003-00
19	Voyant à DEL	1	<a href="#">H-4709WHRNSS</a>	1115-520013-00

## LISTE DES PIÈCES DU SYSTÈME ÉLECTRIQUE

#	DESCRIPTION	QTÉ	RÉF. ULINE	RÉF. DU FABRICANT
20a	Interrupteur tripolaire avec 2 clés (utilisé uniquement sur les n <sup>os</sup> de série : E2013117, E2013119, E2013120, E2013121, E2013123, E2013124, E2013125, E2013126, E2013127, E2013128, E2013133, E2013142, E2013143, E2014129, E2014131, E2014134, E2014147. REMARQUES : E30 & S22)	1	<a href="#">H-4709-SASSQ</a>	1115-520003-00
20b	Interrupteur à clé bipolaire (utilisé jusqu'au n <sup>o</sup> de série E2120047)	1	<a href="#">H-4709-KSAQ</a>	1115-520003-0A
20c	Interrupteur à clé (utilisé à partir du n <sup>o</sup> de série E2120048)	1	<a href="#">H-4709KEYSWT</a>	1115-520019-0A
21a	Ensemble de l'avertisseur (klaxon) (utilisé jusqu'au n <sup>o</sup> de série 4281403797)	1	<a href="#">H-4709-BZASM</a>	1115-520015-00
21b	Klaxon (utilisé à partir du n <sup>o</sup> de série 4281403798)	1	<a href="#">H-4710-HORN</a>	1120-500003-0A
22	Ventilateur	1	<a href="#">H-4709-FAN</a>	1115-520007-00
23	Vis de M5 x 10	2	<a href="#">H-4709-22</a>	0000-000616-00
24	Rondelle plate	2	<a href="#">H-4709-FW</a>	0000-000194-00
25	Écrou	2	<a href="#">H-4709-NUT2</a>	0000-000196-00
26	Rondelle	4	<a href="#">H-4709-206</a>	0000-000206-00
27	Joint torique	4	<a href="#">H-7505-ORING</a>	0000-001133-00
28	Interrupteur d'arrêt d'urgence (utiliser le n <sup>o</sup> 17)	1	-----	1115-520011-00
29	Support de chargeur (utilisé à partir du 15-08-2012)	2	-----	1115-500009-00
30	Douille du voyant à DEL	1	<a href="#">H-4709SOCKET</a>	1115-510009-00
31	Rondelle plate	4	<a href="#">H-4709-FW128</a>	0000-000128-00
32	Joint torique	2	-----	0000-001134-00
33a	Faisceau de câbles d'indicateur de décharge de batterie (utilisé jusqu'au numéro de série 431101787)	1	<a href="#">H-4709-BDIQ</a>	1115-520005-0A
33c	Faisceau de câbles d'indicateur de décharge de batterie (utilisé à partir du numéro de série 431101787)	1	<a href="#">H-4709-BDI</a>	1115-520005-20
34	Interrupteur, bouton uniquement	1	<a href="#">H-4709BUTTNQ</a>	1115-510008-10
35	Fil de mise à la terre (utilisé à partir du n <sup>o</sup> de série 426191250)	1	-----	1115-520021-00
36	Faisceau électrique de klaxon (utilisé à partir du n <sup>o</sup> de série 4281403798)	1	<a href="#">H-4709-HWH</a>	1115-0000LB-LD
37	Vis de M6 x 12	1	-----	2028-000001-07

**BIG JOE<sup>MD</sup> – TRANSPALETTE  
ÉLECTRIQUE – 3 000 lb**

**CÂBLAGE ÉLECTRIQUE**



## LISTE DES PIÈCES DU CÂBLAGE ÉLECTRIQUE

#	DESCRIPTION	QTÉ	RÉF. ULINE	RÉF. DU FABRICANT
1	Câble de connexion de batterie	1	<a href="#">H-4709-BCC</a>	1115-530008-00
2a	Câble de batterie (+)	1	-----	1115-530007-00
2b	Câble de batterie (+)	1	<a href="#">H-4709-BC+</a>	1115-530007-10
3	Câble M2	1	-----	1115-530004-00
4	Câble M1	1	-----	1115-530003-00
5	Câble B (+)	1	<a href="#">H-4709-BPOS</a>	1115-530001-00
6	Câble B (-)	1	<a href="#">H-4709-BNEG</a>	1115-530002-00
7a	Câble P (-)	1	-----	1115-530006-00
7b	Câble P (-)	1	<a href="#">H-4709-006</a>	1115-530006-10
8	Câble P (+)	1	<a href="#">H-4709-005</a>	1115-530005-00
9	Batterie AGM 12 V	2	<a href="#">H-5032</a>	003250
10a	Bloc EPE	2	-----	1115-100001-00
10b	Bloc EPE	2	-----	1115-100004-F0
11	Vis	2	-----	0000-000485-00
12	Bloc de jonction	1	<a href="#">H-4709-TBLCK</a>	1115-231000-00
13	Écrou	2	-----	0000-000108-00
14	Rondelle	2	-----	0000-000056-00
15	Rondelle plate	2	-----	0000-000380-00
16	Vis	2	<a href="#">H-4709-004</a>	0000-000004-00
17	Boulon	4	-----	0000-000277-00
18	Rondelle de blocage	4	<a href="#">H-4709-LW159</a>	0000-000159-00
19	Rondelle	4	<a href="#">H-4709-176</a>	0000-000176-00
20	Câble C3	1	<a href="#">H-4709-C3CBL</a>	1115-530009-00
21a	Bloc EPE	2	-----	1115-100002-00
21b	Bloc EPE II	2	<a href="#">H-4709-EPE</a>	1115-160000-F0
21c	Bloc EPE III	2	-----	1115-100003-00
22a	Coussinet en caoutchouc	4	-----	2112-410005-00
22b	Revêtement en caoutchouc	2	-----	1115-100005-00
23	Écrou	2	<a href="#">H-4709-NUTI</a>	0000-000550-00
24	Vis d'assemblage à tête hexagonale de M8 x 45 mm	2	<a href="#">H-4709-700</a>	0000-000917-00
25	Plaque du détecteur de température	1	-----	1115-520020-00
	Faisceau de câblage d'entraînement (non illustré)	1	<a href="#">H-4709-M2MIC</a>	1115-520002-0B