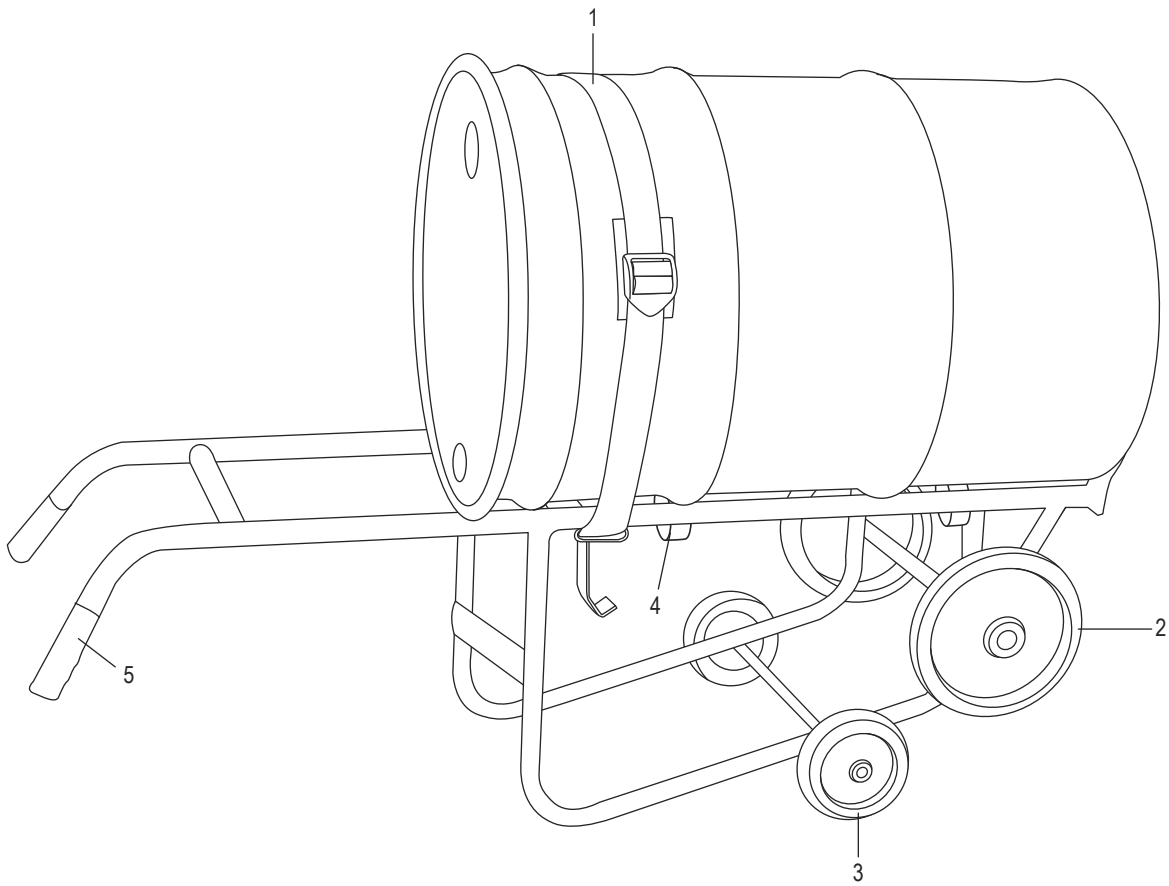
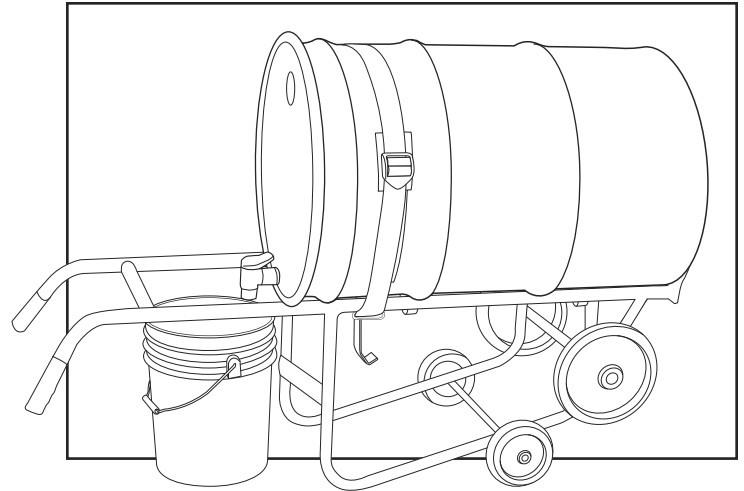


# ULINE H-4898

## DISPENSING DRUM TRUCK

1-800-295-5510  
 uline.com

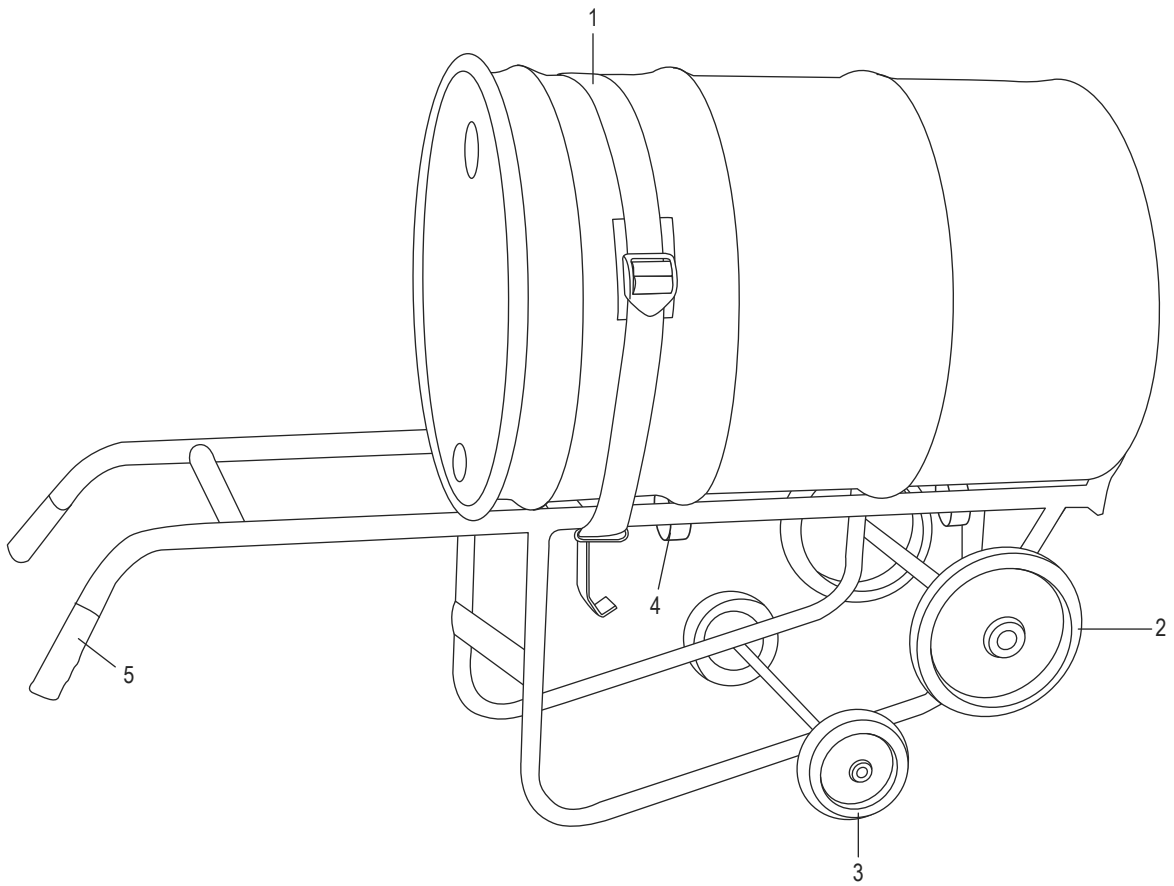
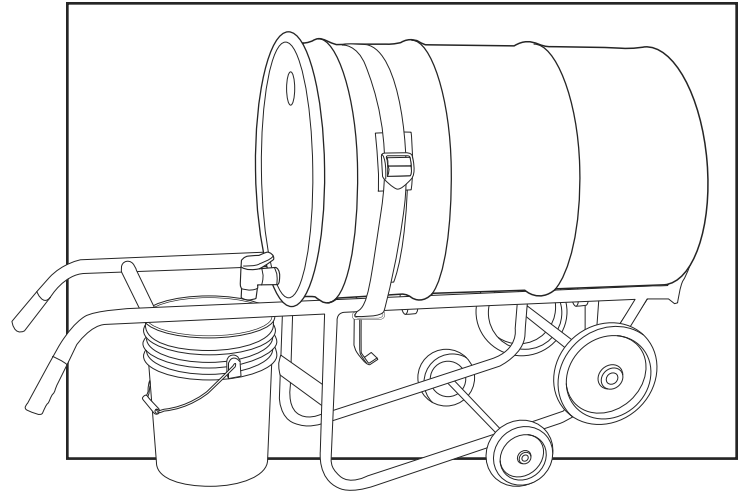


| # | DESCRIPTION                  | QTY. | ULINE PART NO. | MFG. PART NO. |
|---|------------------------------|------|----------------|---------------|
| 1 | Drum Strap                   | 1    | H-4898-STRAP   | MTW/144396-15 |
| 2 | 10" Rubber Wheel             | 2    | H-4898-WHEEL   | CW/W-151      |
| 3 | 6" Wheel with Bearing        | 2    | H-4898-WHLBR   | CW/W-057      |
| 4 | 2.5" Polypropylene Rollers   | 4    | H-4898-CSTR    | MW/W-150      |
| 5 | Handle Grip                  | 2    | H-4898-GRIP    | M1GGS935K     |
|   | Replacement Hook (Not Shown) | 1    | H-4898-HOOK    | MEE/HT-144397 |
|   | Axle Push Nut (Not Shown)    | 1    | H-4898-LUGQ    | VXA/NF-3/8    |

**ULINE H-4898**

800-295-5510

uline.mx

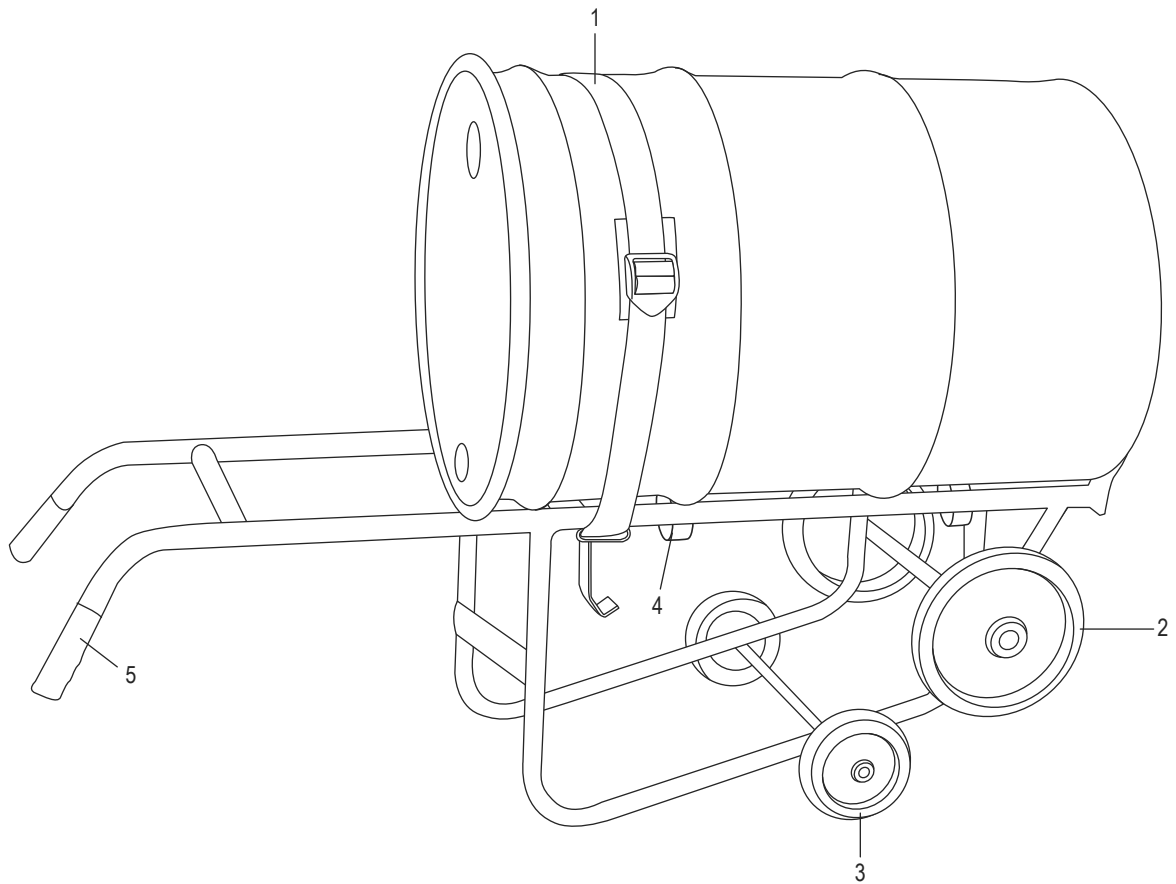
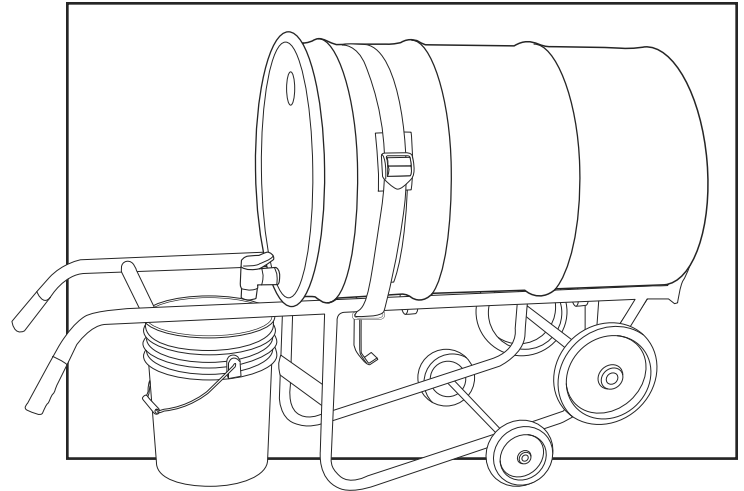
**DIABLITO PARA  
TAMBO DESPACHADOR**

| # | DESCRIPCIÓN                               | CANT. | NO. DE PARTE DE ULINE | NO. DE PARTE DEL FABRICANTE |
|---|---|-------|-----------------------|-----------------------------|
| 1 | Correa para Tambo                         | 1     | H-4898-STRAP          | MTW/144396-15               |
| 2 | Llanta de Goma de 10"                     | 2     | H-4898-WHEEL          | CW/W-151                    |
| 3 | Llanta de 6" con Cojinete                 | 2     | H-4898-WHLBR          | CW/W-057                    |
| 4 | Rodillos de Polipropileno de 2.5"         | 4     | H-4898-CSTR           | MW/W-150                    |
| 5 | Agarre del Asa                            | 2     | H-4898-GRIP           | MIGGS945K                   |
|   | Gancho de Repuesto (No Se Muestra)        | 1     | H-4898-HOOK           | MEE/HT-144397               |
|   | Tuerca de Presión del Eje (No Se Muestra) | 1     | H-4898-LUGQ           | VXA/NF-3/8                  |

**ULINE H-4898**

1-800-295-5510

uline.ca

**DIABLE POUR  
BARIL DISTRIBUTEUR**

| # | DESCRIPTION                                  | QTÉ | RÉF. ULINE   | RÉF. DE FABRICATION |
|---|--|-----|--------------|---------------------|
| 1 | Sangle du baril                              | 1   | H-4898-STRAP | M1W/144396-15       |
| 2 | Roue en caoutchouc de 25,4 cm (10 po)        | 2   | H-4898-WHEEL | CW/W-151            |
| 3 | Roue de 15,2 cm (6 po) avec roulement        | 2   | H-4898-WHLBR | CW/W-057            |
| 4 | Rouleaux en polypropylène de 6,4 cm (2,5 po) | 4   | H-4898-CSTR  | MW/W-150            |
| 5 | Poignée                                      | 2   | H-4898-GRIP  | M1GGS945K           |
|   | Crochet de remplacement (non illustré)       | 1   | H-4898-HOOK  | MEE/HT-144397       |
|   | Écrou capuchon d'essieu (non illustré)       | 1   | H-4898-LUGQ  | VXA/NF-3/8          |