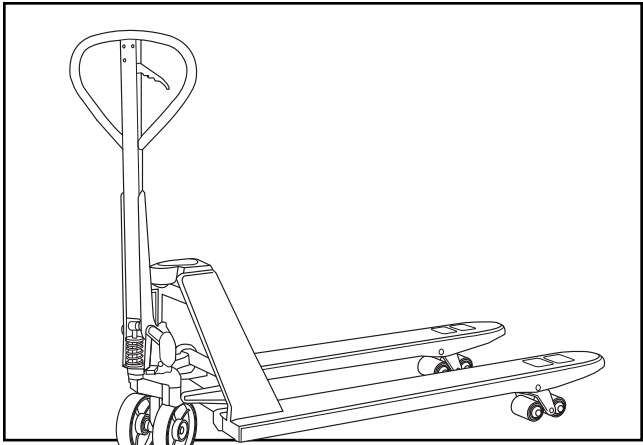


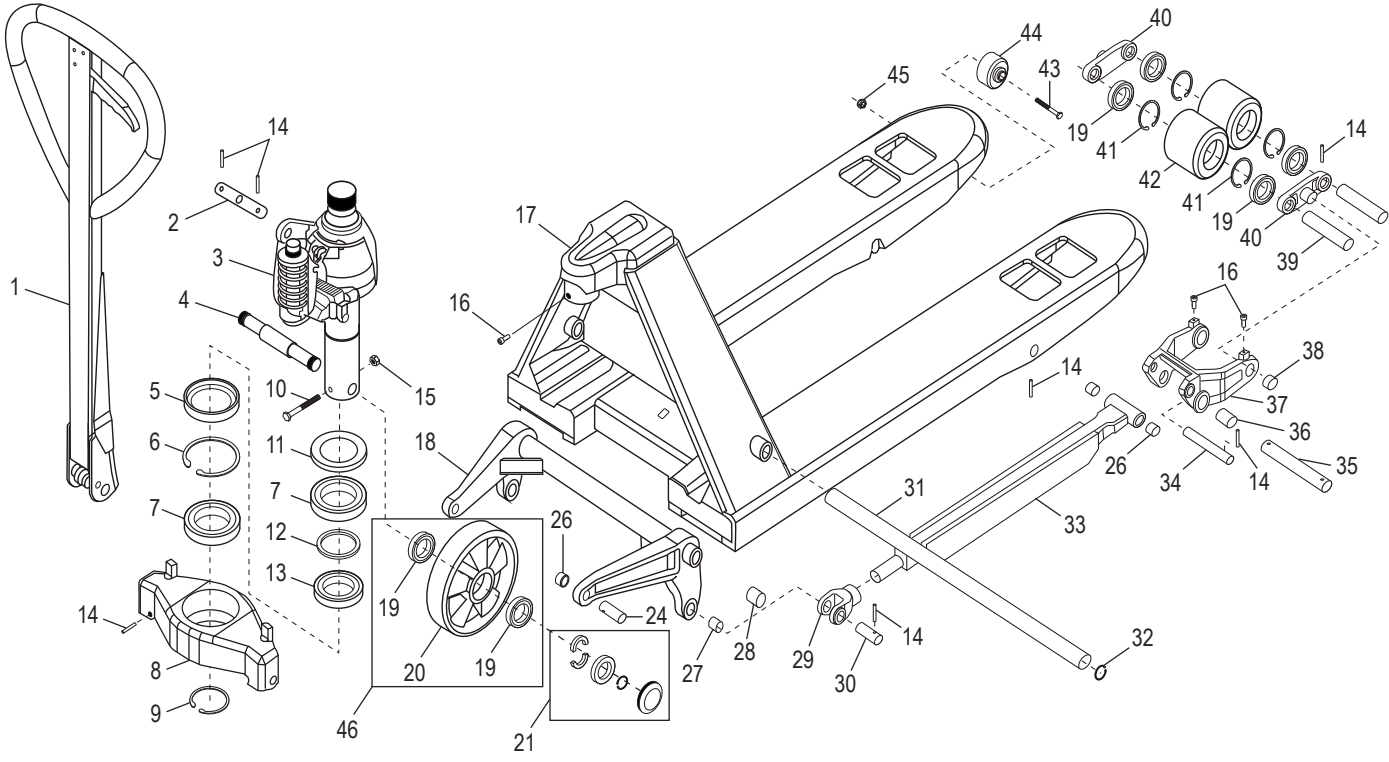
# ULINE H-5484

## HEAVY-DUTY PALLET TRUCK

1-800-295-5510  
 uline.com



### FRAME DIAGRAM



### FRAME DIAGRAM PARTS LIST

#	DESCRIPTION	QTY.	ULINE PART NO.	MFG. PART NO.
1	Handle Assembly	1	<a href="#">H-5484-1</a>	WB-HNDLASSY
2	Axial Compression	1	<a href="#">H-5484-SHAFT</a>	WB-FRAME-PT2
3	Oil Pump	1	<a href="#">H-5484-PUMP</a>	PUMPWB
4	Axle, Front Wheel	1	<a href="#">H-5484-4</a>	WB-FRAME-PT4
5	Baffle Ring	1	<a href="#">H-5484-5Q</a>	WB-FRAME-PT5
6	Circlip for Hole 95	1	<a href="#">H-5484-FPT6</a>	WB-FRAME-PT6
7	Bearing 6012-2RS	2	<a href="#">H-5484-7</a>	WB-FRAME-PT7
8	Support Seat	1	<a href="#">H-5484-8</a>	WB-FRAME-PT8

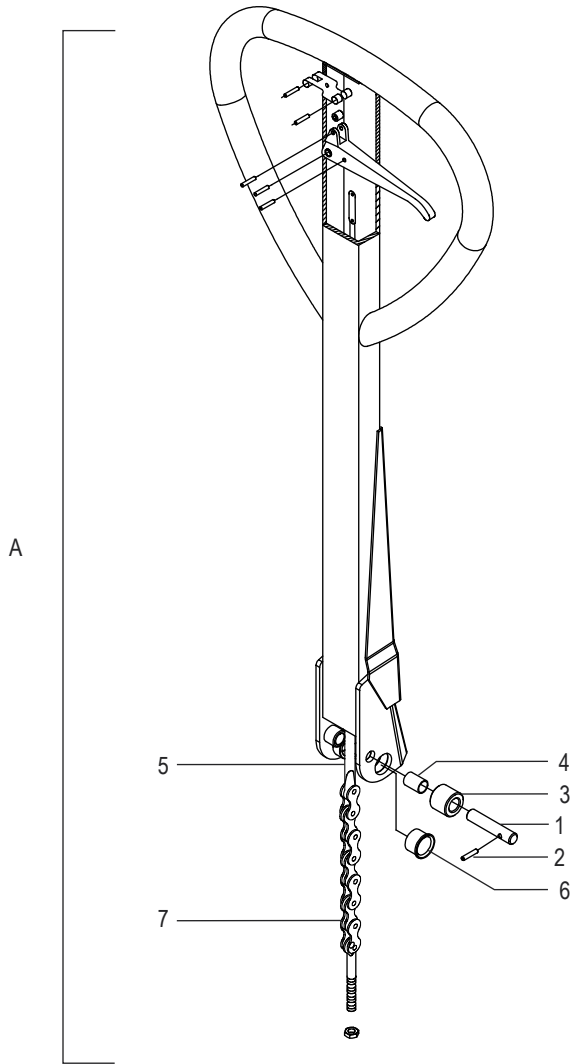
## FRAME DIAGRAM PARTS LIST CONTINUED

#	DESCRIPTION	QTY.	ULINE PART NO.	MFG. PART NO.
9	Circlip for Shaft 60	1	<a href="#">H-5484-9</a>	WB-FRAME-PT9
10	Hexagon Bolt – M8 x 70 mm	1	<a href="#">H-5484-10Q</a>	WB-FRAME-PT10
11	Bearing Cover	1	<a href="#">H-5484-FPT11</a>	WB-FRAME-PT11
12	Backup Plate	1	<a href="#">H-5484-12Q</a>	WB-FRAME-PT12
13	Thrust Ball Bearing 51112	1	<a href="#">H-5484-13Q</a>	WB-FRAME-PT13
14	Spring Pin – 5 x 28 mm	22	<a href="#">H-5484-14</a>	WB-FRAME-PT14
15	Locknut – M8	1	-----	WB-FRAME-PT15
16	Inner Hexagon Screw – M6 x 12 mm	5	<a href="#">H-5484-16</a>	WB-FRAME-PT16
17	Truck Frame	1	-----	WB-FRAME-PT17
18	Rocker Assembly 685	1	<a href="#">H-5484-PT18</a>	WB-FRAME-PT18
19	Bearing 6204-2RS	12	<a href="#">H-1043-B9</a>	B9
20	Big (Steering) Wheel	2	<a href="#">H-5484-20</a>	WB-FRAME-PT20
21	<b>Big (Steering) Wheel Hardware Kit</b> Includes: • Half Cirque (4) • Bowl Washer (2) • Retaining Ring for Axle (2) • Dust Cover (2)	1	<a href="#">H-7274</a>	WB-FRAME-PT21 WB-FRAME-PT22 WB-FRAME-PT23 WB-FRAME-PT25
24	Roll Pin – 16 x 42 mm	2	<a href="#">H-5484-24</a>	WB-FRAME-PT24
26	Bushing – 16 x 18 x 15 mm	6	<a href="#">H-5484-26Q</a>	WB-FRAME-PT26
27	Bushing – 16 x 18 x 20 mm	2	-----	WB-FRAME-PT27
28	Bushing – 25 x 30 mm	2	-----	WB-FRAME-PT28
29	Coupling Head	2	<a href="#">H-5484-CH29Q</a>	WB-FRAME-PT29
30	Roll Pin – 16 x 44 mm	2	<a href="#">H-5484-PR30Q</a>	WB-FRAME-PT30
31	Long Shaft 685 (No Hole)	1	-----	WB-FRAME-PT31
32	Circlip for Hole 25	2	-----	WB-FRAME-PT32
33	Connecting Rod 1220	2	<a href="#">H-5484-33</a>	WB-FRAME-PT33
34	Roll Pin – 16 x 100 mm	2	<a href="#">H-5484-34</a>	WB-FRAME-PT34
35	Roll Pin – 20 x 158 mm	2	<a href="#">H-5484-35</a>	WB-FRAME-PT35
36	Bushing – 20 x 23 x 25 mm	4	<a href="#">H-5484-36</a>	WB-FRAME-PT36
37	Wheel Carrier (Lower Place)	2	<a href="#">H-5484-37</a>	WB-FRAME-PT37
38	Bushing – 20 x 23 x 12 mm	4	<a href="#">H-5484-38</a>	WB-FRAME-PT38
39	Roll Pin 20 x 105 mm	4	<a href="#">H-5484-PT39</a>	WB-FRAME-PT39
40	Bracket Plate	4	<a href="#">H-5484-40</a>	WB-FRAME-PT40
41	Circlip for Hole 47	8	<a href="#">H-5484-PT41</a>	WB-FRAME-PT41
42	Fork (Load) Wheel	4	<a href="#">H-5484-42</a>	WB-FRAME-PT42
43	Hexagon Bolt – M6 x 50 mm	2	<a href="#">H-5484-PT43</a>	WB-FRAME-PT43
44	Entry (Roller) Wheel Black/White	2	<a href="#">H-5484-PT44</a>	WB-FRAME-PT44
45	Locknut – M6	2	<a href="#">H-5484-PT45</a>	WB-FRAME-PT45
46	Steering Wheel Assembly	1	<a href="#">H-5484-SWA</a>	WB-FRAME-PT2019

**ULINE H-5484**  
**HEAVY-DUTY**  
**PALLET TRUCK**

1-800-295-5510  
 uline.com

HANDLE DIAGRAM



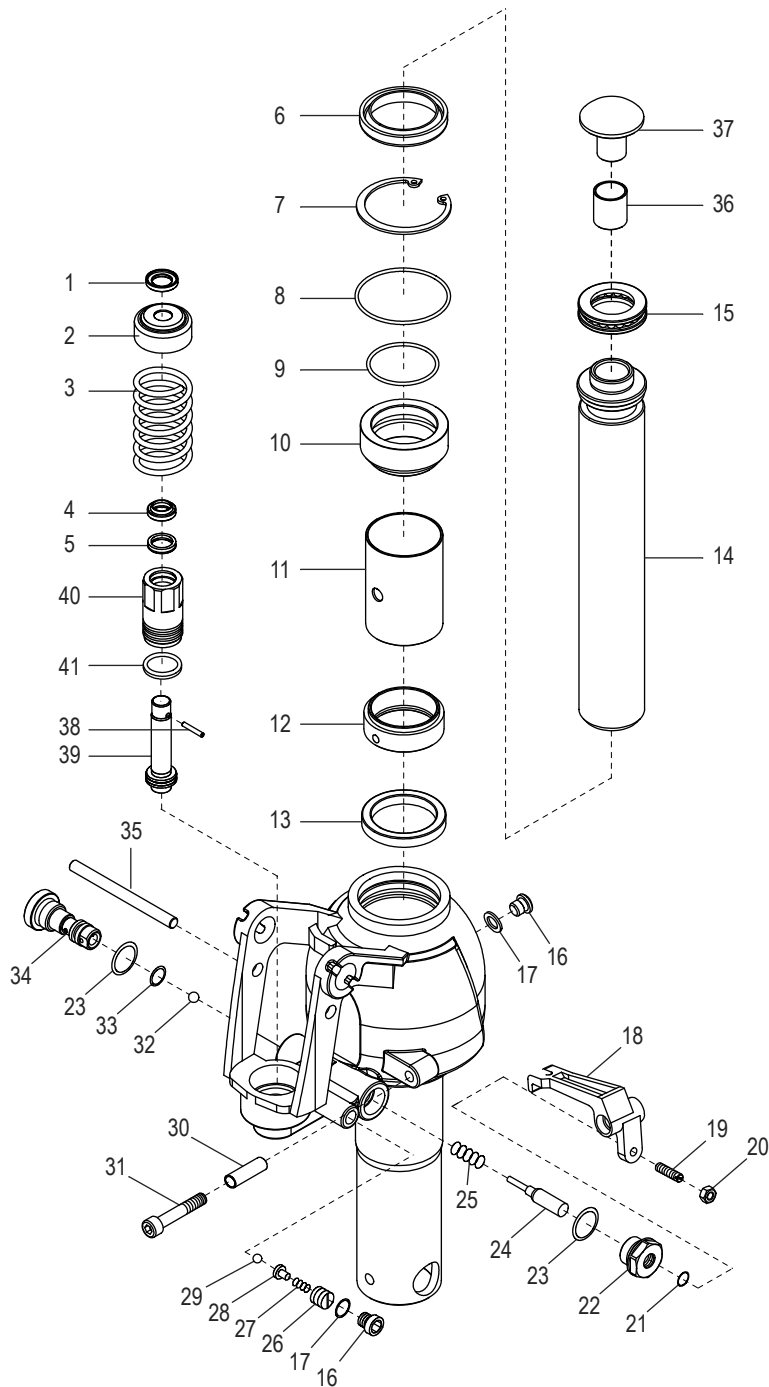
HANDLE DIAGRAM PARTS LIST

#	DESCRIPTION	QTY.	ULINE PART NO.	MFG. PART NO.
A	<b>Handle Assembly</b> Includes: • Cylindrical Pin #1 (1) • Spring Pin – 3 x 20 mm #2 (1) • Pressure Wheel #3 (1) • Bushing 1220 #4 (1) • Pull Rod Unit #5 (1) • Bushing SF-1F2015 #6 (2) • Chain C-6-9-04A #7 (1)	1	<a href="#">H-5484-1</a>	WB-HNDLASSY
1	Cylindrical Pin	1	<a href="#">H-5484-8</a>	WB-HANDLE-PT8
2	Spring Pin – 3 x 20 mm	1	<a href="#">H-5484-9</a>	WB-HANDLE-PT9
3	Pressure Wheel	1	<a href="#">H-5484-10</a>	WB-HANDLE-PT10
4	Bushing 1220	1	<a href="#">H-5484-11</a>	WB-HANDLE-PT11
5	Pull Rod Unit	1	<a href="#">H-5484-12</a>	WB-HANDLE-PT12
6	Bushing SF-1F2015	2	<a href="#">H-5484-13</a>	WB-HANDLE-PT13
7	Chain C-6-9-04A	1	<a href="#">H-5484-CHAIN</a>	WB-HANDLE-PT14

# ULINE H-5484 HEAVY-DUTY PALLET TRUCK

1-800-295-5510  
uline.com

## PUMP DIAGRAM



## PUMP DIAGRAM PARTS LIST

#	DESCRIPTION	QTY.	ULINE PART NO.	MFG. PART NO.
1	Bowl Washer	1	<a href="#">H-5484-BWSHR</a>	WB-PUMP-PT1
2	Spring Cap	1	<a href="#">H-5484-PT2</a>	WB-PUMP-PT2
3	Spring	1	<a href="#">H-5484-SPRNG</a>	WB-PUMP-PT3
4	Dustproof Ring 18	1	<a href="#">H-5484-PT4</a>	WB-PUMP-PT4

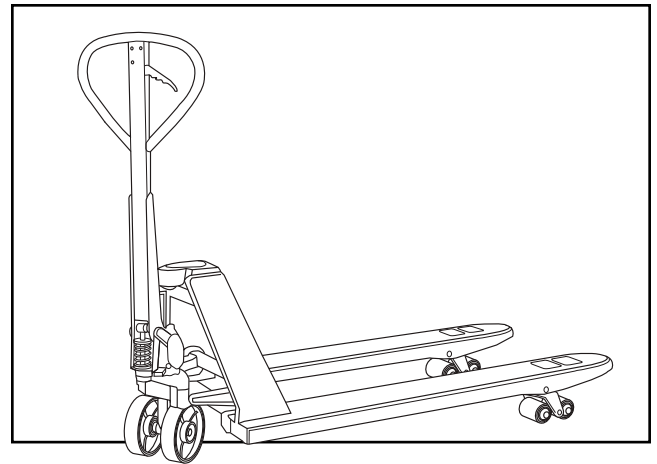
## PUMP DIAGRAM PARTS LIST CONTINUED

#	DESCRIPTION	QTY.	ULINE PART NO.	MFG. PART NO.
5	Y-Type Seal Ring 18	1	<a href="#">H-5484-PT5</a>	WB-PUMP-PT5
6	Dustproof Ring – 45 x 57 mm	1	<a href="#">H-5484-PT6</a>	WB-PUMP-PT6
7	Circlip for Hole 58	1	<a href="#">H-5484-PT7</a>	WB-PUMP-PT7
8	O-Ring – 58 x 3.55 mm	1	<a href="#">H-5484-PT8</a>	WB-PUMP-PT8
9	O-Ring – 45 x 3.55 mm	1	<a href="#">H-5484-PT9</a>	WB-PUMP-PT9
10	Guiding Cover	1	<a href="#">H-5484-PT10Q</a>	WB-PUMP-PT10
11	Pipe Sleeve	1	<a href="#">H-5484-PT11Q</a>	WB-PUMP-PT11
12	Guiding Ring	1	<a href="#">H-5484-PT12Q</a>	WB-PUMP-PT12
13	Seal Ring – 45 x 55 x 7 mm	1	<a href="#">H-5484-PT13Q</a>	WB-PUMP-PT13
14	Plunger – 45 x 289.5	1	-----	WB-PUMP-PT14
15	Thrust Ball Bearing 51106	1	<a href="#">H-5484-PT15</a>	WB-PUMP-PT15
16	Screw Plug – M10 x 1 mm	2	<a href="#">H-5484-PT16</a>	WB-PUMP-PT16
17	Combined Washer 10	2	<a href="#">H-5484-PT17</a>	WB-PUMP-PT17
18	Lever Plate	1	<a href="#">H-5484-18</a>	WB-PUMP-PT18
19	Slotted Set Screw with Cone Point – M6 x 25 mm	1	<a href="#">H-5484-SLSCR</a>	WB-PUMP-PT19
20	Hexagon Nut – M6	1	<a href="#">H-5484-NUTM6</a>	WB-PUMP-PT20
21	O-Ring – 10 x 2.65 mm	1	<a href="#">H-5484-PT21</a>	WB-PUMP-PT21
22	Firing Pin Set	1	<a href="#">H-5484-PT22</a>	WB-PUMP-PT22
23	Combined Washer 20	2	<a href="#">H-5484-PT23</a>	WB-PUMP-PT23
24	Firing Pin	1	<a href="#">H-5484-PT24</a>	WB-PUMP-PT24
25	Spring – 1.2 x 9.5 x 22 mm	1	<a href="#">H-5484-PT25</a>	WB-PUMP-PT25
26	Pressure Adjusting Screw – M10 x 1 mm	1	<a href="#">H-5484-PT26</a>	WB-PUMP-PT26
27	Spring – 2 x 8 x 16 mm	1	<a href="#">H-5484-PT27</a>	WB-PUMP-PT27
28	Ball Seat	1	<a href="#">H-5484-PT28</a>	WB-PUMP-PT28
29	Steel Ball 5	1	<a href="#">H-5484-PT29</a>	WB-PUMP-PT29
30	Tube Axle	1	<a href="#">H-5484-PT30Q</a>	WB-PUMP-PT30
31	Inner Hexagon Screw – M8 x 45 mm	1	<a href="#">H-5484-PT31Q</a>	WB-PUMP-PT31
32	Steel Ball 7	1	<a href="#">H-5484-PT32</a>	WB-PUMP-PT32
33	O-Ring – 10 x 2.65 mm	1	<a href="#">H-5484-PT33</a>	WB-PUMP-PT33
34	Cartridge Valve III	1	<a href="#">H-5484-PT34</a>	WB-PUMP-PT34
35	Lock Rod	1	<a href="#">H-5484-PT36Q</a>	WB-PUMP-PT35
36	Composite Bushing – 20 x 23 x 25 mm	1	<a href="#">H-5484-PT37Q</a>	WB-PUMP-PT37
37	Ball Top	1	<a href="#">H-5484-PT38</a>	WB-PUMP-PT38
38	Cylindrical Pin – 4 x 25 mm	1	<a href="#">H-5484-PPT39</a>	WB-PUMP-PT39
39	Double Speed Pump Core Assembly	1	<a href="#">H-5484-DSPCA</a>	WB-PUMP-PT40
40	Double Speed Pump Cylinder	1	<a href="#">H-5484-PT40</a>	WB-PUMP-PT41
41	Copper Washer	1	<a href="#">H-5484-PMP41</a>	WB-PUMP-PT42
	Pump Assembly (Not Shown)	1	<a href="#">H-5484-PUMP</a>	PUMPWB

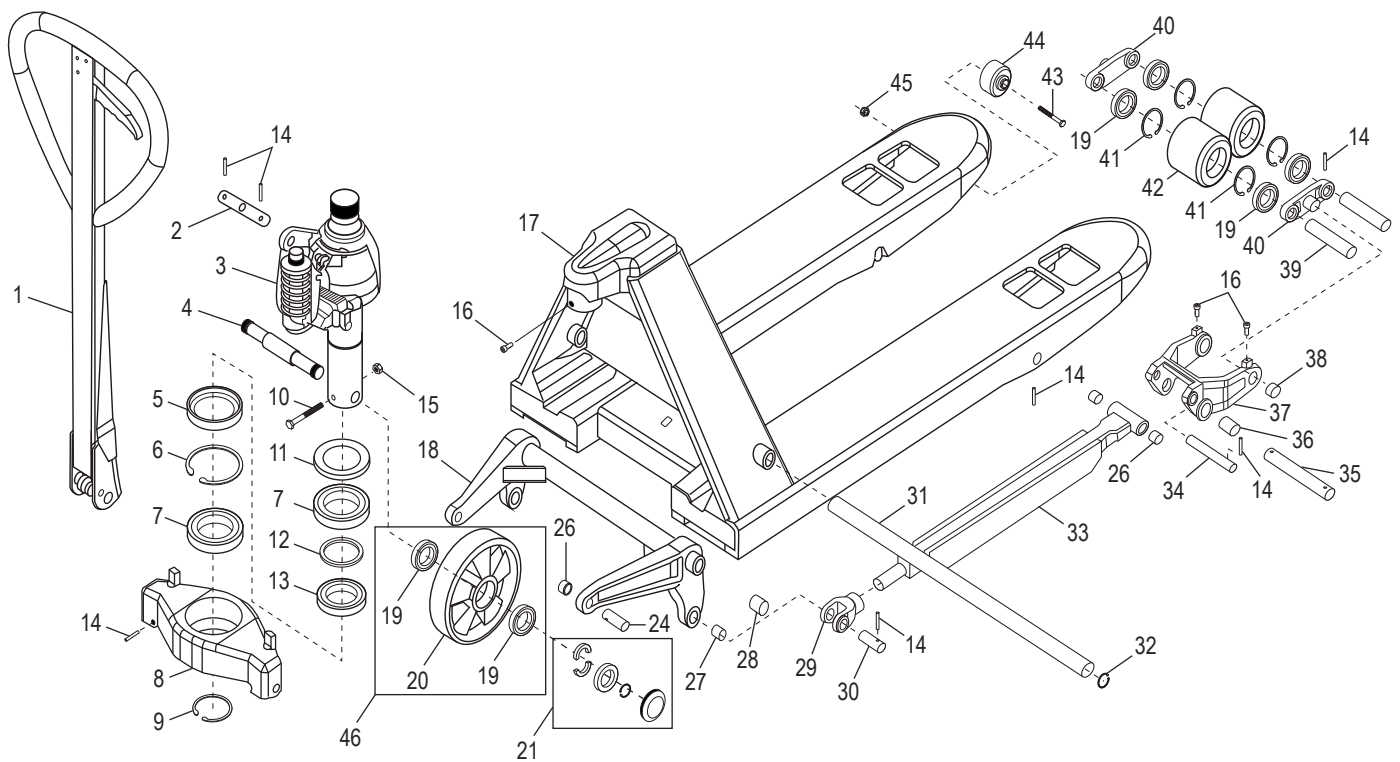
# ULINE H-5484

## PATÍN HIDRÁULICO DE USO PESADO

800-295-5510  
uline.mx



### DIAGRAMA DE LA ESTRUCTURA



### LISTA DE PARTES DEL DIAGRAMA DE LA ESTRUCTURA

#	DESCRIPCIÓN	CANT.	NO. DE PARTE DE ULINE	NO. DE PARTE DEL FABRICANTE
1	Ensamble del Asa	1	<a href="#">H-5484-1</a>	WB-HNDLASSY
2	Compresión del Eje	1	<a href="#">H-5484-SHAFT</a>	WB-FRAME-PT2
3	Bomba de Aceite	1	<a href="#">H-5484-PUMP</a>	PUMPWB
4	Eje de Llantá Frontal	1	<a href="#">H-5484-4</a>	WB-FRAME-PT4
5	Anillo Deflector	1	<a href="#">H-5484-5Q</a>	WB-FRAME-PT5
6	Clip Redondo para Orificio 95	1	<a href="#">H-5484-FPT6</a>	WB-FRAME-PT6
7	Balero 6012-2RS	2	<a href="#">H-5484-7</a>	WB-FRAME-PT7
8	Base de Soporte	1	<a href="#">H-5484-8</a>	WB-FRAME-PT8

# ULINE H-5484

## PATÍN HIDRÁULICO DE USO PESADO

800-295-5510  
uline.mx

### CONTINUACIÓN DE LISTA DE PARTES DEL DIAGRAMA DE LA ESTRUCTURA

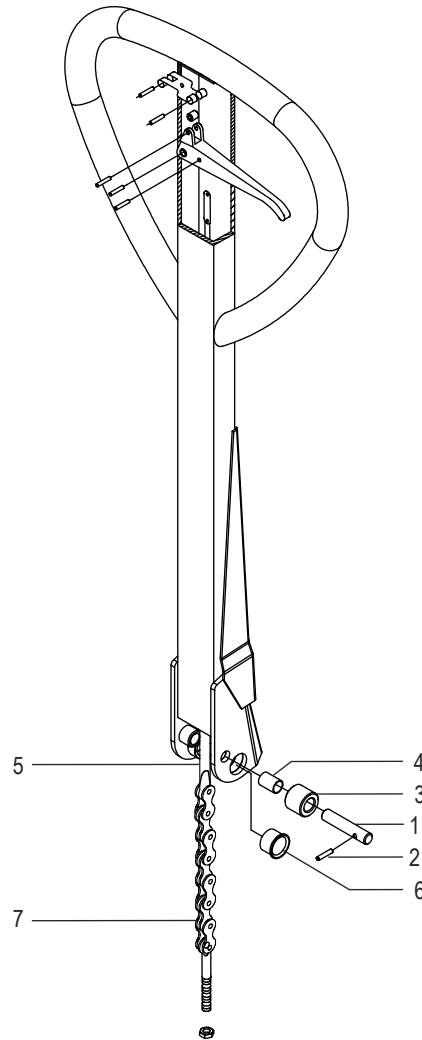
#	DESCRIPCIÓN	CANT.	NO. DE PARTE DE ULINE	NO. DE PARTE DEL FABRICANTE
9	Clip Redondo para el Eje 60	1	<a href="#">H-5484-9</a>	WB-FRAME-PT9
10	Perno Hexagonal de M8 x 70 mm	1	<a href="#">H-5484-10Q</a>	WB-FRAME-PT10
11	Cubierta del Balero	1	<a href="#">H-5484-FPT11</a>	WB-FRAME-PT11
12	Placa de Apoyo	1	<a href="#">H-5484-12Q</a>	WB-FRAME-PT12
13	Balero de Empuje con Balines 51112	1	<a href="#">H-5484-13Q</a>	WB-FRAME-PT13
14	Pasador con Resorte de 5 x 28 mm	22	<a href="#">H-5484-14</a>	WB-FRAME-PT14
15	Tuerca de Seguridad de M8	1	-----	WB-FRAME-PT15
16	Tornillo Hexagonal Interno de M6 x 12 mm	5	<a href="#">H-5484-16</a>	WB-FRAME-PT16
17	Estructura del Patín	1	-----	WB-FRAME-PT17
18	Ensamble Oscilante 685	1	<a href="#">H-5484-PT18</a>	WB-FRAME-PT18
19	Balero 6204-2RS	12	<a href="#">H-1043-B9</a>	B9
20	Llanta Grande (de Dirección)	2	<a href="#">H-5484-20</a>	WB-FRAME-PT20
21	<b>Kit de Tornillería de la Llanta Grande (de Dirección)</b> Incluye: • 4 Medio Anillos • 2 Rondanas Cónicas • 2 Anillos de Retención para el Eje • 2 Cubiertas para Polvo	1	<a href="#">H-7274</a>	WB-FRAME-PT21 WB-FRAME-PT22 WB-FRAME-PT23 WB-FRAME-PT25
24	Pin de Rodillo de 16 x 42 mm	2	<a href="#">H-5484-24</a>	WB-FRAME-PT24
26	Casquillo de 16 x 18 x 15 mm	6	<a href="#">H-5484-26Q</a>	WB-FRAME-PT26
27	Casquillo de 16 x 18 x 20 mm	2	-----	WB-FRAME-PT27
28	Casquillo de 25 x 30 mm	2	-----	WB-FRAME-PT28
29	Cabeza de Acoplamiento	2	<a href="#">H-5484-CH29Q</a>	WB-FRAME-PT29
30	Pin de Rodillo de 16 x 44 mm	2	<a href="#">H-5484-PR30Q</a>	WB-FRAME-PT30
31	Eje Largo 685 (Sin Orificio)	1	-----	WB-FRAME-PT31
32	Clip Redondo para Orificio 25	2	-----	WB-FRAME-PT32
33	Varilla de Conexión 1220	2	<a href="#">H-5484-33</a>	WB-FRAME-PT33
34	Pin de Rodillo de 16 x 100 mm	2	<a href="#">H-5484-34</a>	WB-FRAME-PT34
35	Pin de Rodillo de 20 x 158 mm	2	<a href="#">H-5484-35</a>	WB-FRAME-PT35
36	Casquillo de 20 x 23 x 12 mm	4	<a href="#">H-5484-36</a>	WB-FRAME-PT36
37	Porta Llanta (Parte Baja)	2	<a href="#">H-5484-37</a>	WB-FRAME-PT37
38	Casquillo de 20 x 23 x 12 mm	4	<a href="#">H-5484-38</a>	WB-FRAME-PT38
39	Pin de Rodillo de 20 x 105 mm	4	<a href="#">H-5484-PT39</a>	WB-FRAME-PT39
40	Placa de Soporte	4	<a href="#">H-5484-40</a>	WB-FRAME-PT40
41	Clip Redondo para Orificio 47	8	<a href="#">H-5484-PT41</a>	WB-FRAME-PT41
42	Llanta de Horquilla (Carga)	4	<a href="#">H-5484-42</a>	WB-FRAME-PT42
43	Perno Hexagonal de M6 x 50 mm	2	<a href="#">H-5484-PT43</a>	WB-FRAME-PT43
44	Llanta de Acceso (Rodillo) Negro/Blanco	2	<a href="#">H-5484-PT44</a>	WB-FRAME-PT44
45	Tuerca de M6	2	<a href="#">H-5484-PT45</a>	WB-FRAME-PT45
46	Ensamble de la Llanta de Dirección	1	<a href="#">H-5484-SWA</a>	WB-FRAME-PT2019

**ULINE H-5484**  
**PATÍN HIDRÁULICO**  
**DE USO PESADO**

800-295-5510  
 uline.mx

DIAGRAMA DEL ASA

A



LISTA DE PARTES DEL DIAGRAMA DEL ASA

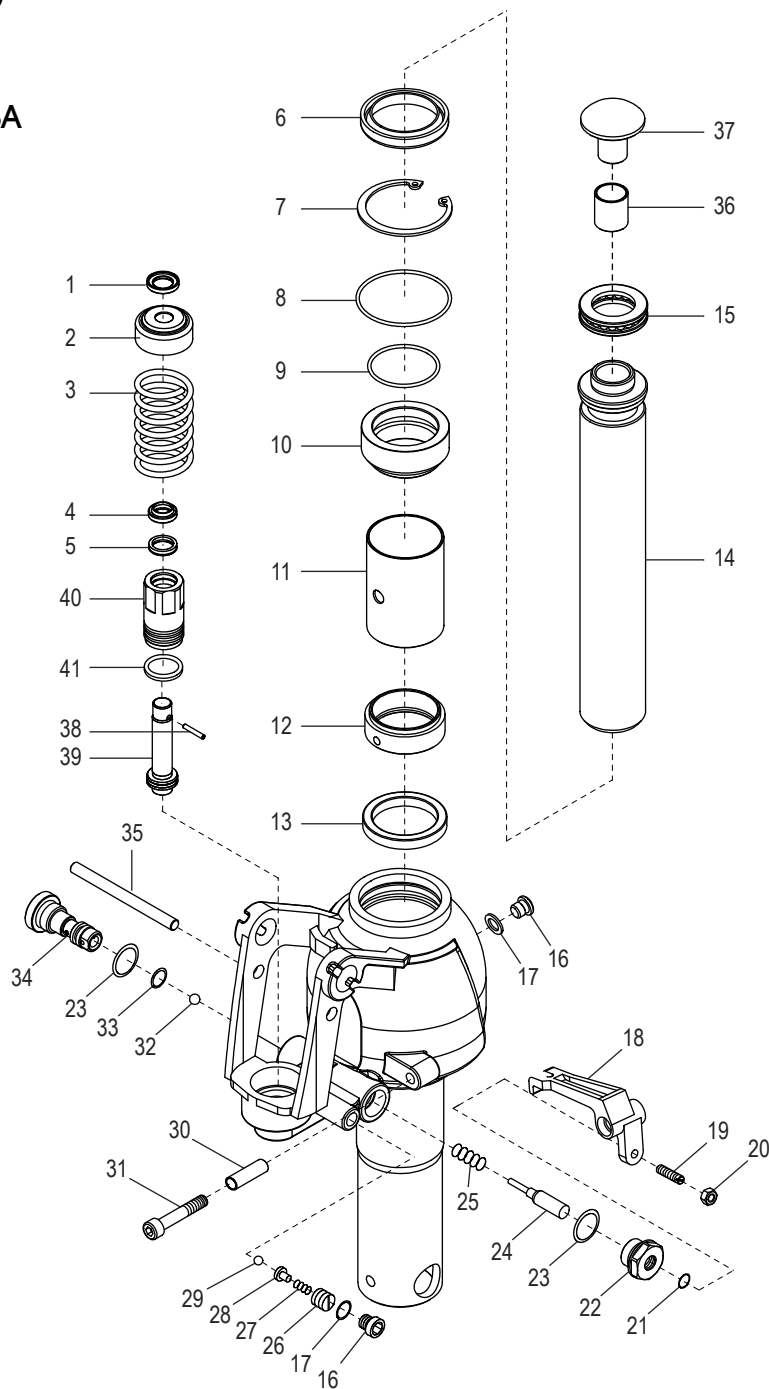
#	DESCRIPCIÓN	CANT.	NO. DE PARTE DE ULINE	NO. DE PARTE DEL FABRICANTE
A	<b>Ensamble del Asa</b> Incluye: • Pin Cilíndrico #1 (1) • Pasador con Resorte 3 x 20 mm #2 (1) • Llanta de Presión #3 (1) • Casquillo para el Eje 1220 #4 (1) • Unidad de la Varilla de Apoyo #5 (1) • Casquillo SF-1F2015 #6 (2) • Cadena C-6-9-04A #7 (1)	1	<a href="#">H-5484-1</a>	WB-HNDLASSY
1	Pin Cilíndrico	1	<a href="#">H-5484-8</a>	WB-HANDLE-PT8
2	Pasador con Resorte de 3 x 20 mm	1	<a href="#">H-5484-9</a>	WB-HANDLE-PT9
3	Llanta de Presión	1	<a href="#">H-5484-10</a>	WB-HANDLE-PT10
4	Casquillo 1220	1	<a href="#">H-5484-11</a>	WB-HANDLE-PT11
5	Unidad de la Varilla de Apoyo	1	<a href="#">H-5484-12</a>	WB-HANDLE-PT12
6	Casquillo SF-1F2015	2	<a href="#">H-5484-13</a>	WB-HANDLE-PT13
7	Cadena C-6-9-04A	1	<a href="#">H-5484-CHAIN</a>	WB-HANDLE-PT14



# ULINE H-5484 PATÍN HIDRÁULICO DE USO PESADO

800-295-5510  
uline.mx

## DIAGRAMA DE LA BOMBA



## LISTA DE PARTES DE LA BOMBA

#	DESCRIPCIÓN	CANT.	NO. DE PARTE DE ULINE	NO. DE PARTE DEL FABRICANTE
1	Rondana Cónica	1	<a href="#">H-5484-BWSHR</a>	WB-PUMP-PT1
2	Tapa del Resorte	1	<a href="#">H-5484-PT2</a>	WB-PUMP-PT2
3	Resorte	1	<a href="#">H-5484-SPRNG</a>	WB-PUMP-PT3
4	Anillo para Polvo 18	1	<a href="#">H-5484-PT4</a>	WB-PUMP-PT4

**ULINE H-5484**  
**PATÍN HIDRÁULICO**  
**DE USO PESADO**

800-295-5510  
 uline.mx

CONTINUACIÓN DE LISTA DE PARTES DE LA BOMBA

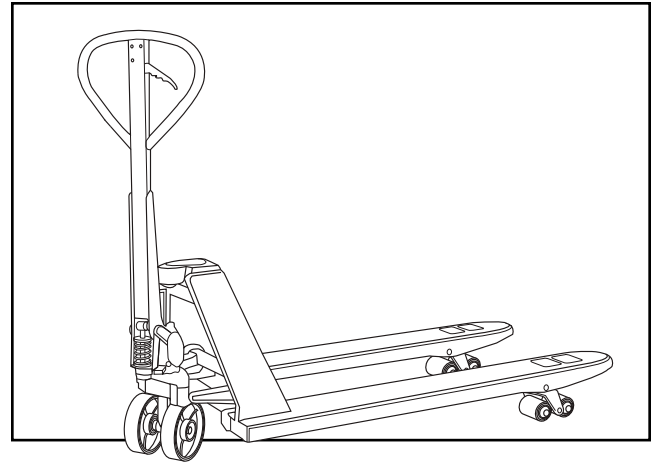
#	DESCRIPCIÓN	CANT.	NO. DE PARTE DE ULINE	NO. DE PARTE DEL FABRICANTE
5	Anillo de Sellado Tipo Y 18	1	<a href="#">H-5484-PT5</a>	WB-PUMP-PT5
6	Anillo Contra Polvo de 45 x 57 mm	1	<a href="#">H-5484-PT6</a>	WB-PUMP-PT6
7	Clip Redondo para Orificio 58	1	<a href="#">H-5484-PT7</a>	WB-PUMP-PT7
8	Anillo Tórico de 58 x 3.55 mm	1	<a href="#">H-5484-PT8</a>	WB-PUMP-PT8
9	Anillo Tórico de 45 x 3.55 mm	1	<a href="#">H-5484-PT9</a>	WB-PUMP-PT9
10	Cubierta Guía	1	<a href="#">H-5484-PT10Q</a>	WB-PUMP-PT10
11	Funda del Tubo	1	<a href="#">H-5484-PT11Q</a>	WB-PUMP-PT11
12	Anillo Guía	1	<a href="#">H-5484-PT12Q</a>	WB-PUMP-PT12
13	Anillo Sellador de 45 x 55 x 7 mm	1	<a href="#">H-5484-PT13Q</a>	WB-PUMP-PT13
14	Émbolo de 45 x 289.5	1	-----	WB-PUMP-PT14
15	Balero de Empuje con Balines 51112	1	<a href="#">H-5484-PT15</a>	WB-PUMP-PT15
16	Tornillo Conector de M10 x 1 mm	2	<a href="#">H-5484-PT16</a>	WB-PUMP-PT16
17	Rondana Combinada 10	2	<a href="#">H-5484-PT17</a>	WB-PUMP-PT17
18	Placa de la Palanca	1	<a href="#">H-5484-18</a>	WB-PUMP-PT18
19	Tornillo de Ajuste Ranurado con Punta Cónica de M6 x 25 mm	1	<a href="#">H-5484-SLSCR</a>	WB-PUMP-PT19
20	Tuerca Hexagonal M6	1	<a href="#">H-5484-NUTM6</a>	WB-PUMP-PT20
21	Anillo Tórico de 10 x 2.65 mm	1	<a href="#">H-5484-PT21</a>	WB-PUMP-PT21
22	Set de Pin de Disparo	1	<a href="#">H-5484-PT22</a>	WB-PUMP-PT22
23	Rondana Combinada 20	2	<a href="#">H-5484-PT23</a>	WB-PUMP-PT23
24	Pin de Disparo	1	<a href="#">H-5484-PT24</a>	WB-PUMP-PT24
25	Resorte de 1.2 x 9.5 x 22 mm	1	<a href="#">H-5484-PT25</a>	WB-PUMP-PT25
26	Tornillo de Ajuste de Presión de M10 x 1 mm	1	<a href="#">H-5484-PT26</a>	WB-PUMP-PT26
27	Resorte de 2 x 8 x 16 mm	1	<a href="#">H-5484-PT27</a>	WB-PUMP-PT27
28	Base del Balín	1	<a href="#">H-5484-PT28</a>	WB-PUMP-PT28
29	Balín 5	1	<a href="#">H-5484-PT29</a>	WB-PUMP-PT29
30	Eje del Tubo	1	<a href="#">H-5484-PT30Q</a>	WB-PUMP-PT30
31	Tornillo Interno Hexagonal de M8 x 45 mm	1	<a href="#">H-5484-PT31Q</a>	WB-PUMP-PT31
32	Balín 7	1	<a href="#">H-5484-PT32</a>	WB-PUMP-PT32
33	Anillo Tórico de 10 x 2.65 mm	1	<a href="#">H-5484-PT33</a>	WB-PUMP-PT33
34	Válvula del Cartucho III	1	<a href="#">H-5484-PT34</a>	WB-PUMP-PT34
35	Varilla de Seguridad	1	<a href="#">H-5484-PT36Q</a>	WB-PUMP-PT35
36	Balero Compuesto de 20 x 23 x 25 mm	1	<a href="#">H-5484-PT37Q</a>	WB-PUMP-PT37
37	Tapa Redondeada	1	<a href="#">H-5484-PT38</a>	WB-PUMP-PT38
38	Pin Cilíndrico de 4 x 25 mm	1	<a href="#">H-5484-PPT39</a>	WB-PUMP-PT39
39	Ensamble del Núcleo de la Bomba de Dos Velocidades	1	<a href="#">H-5484-DSPCA</a>	WB-PUMP-PT40
40	Cilindro de la Bomba de Dos Velocidades	1	<a href="#">H-5484-PT40</a>	WB-PUMP-PT41
41	Rondana de Cobre	1	<a href="#">H-5484-PMP41</a>	WB-PUMP-PT42
	Ensamble de la Bomba (No Se Muestra)	1	<a href="#">H-5484-PUMP</a>	PUMPWB

# ULINE H-5484

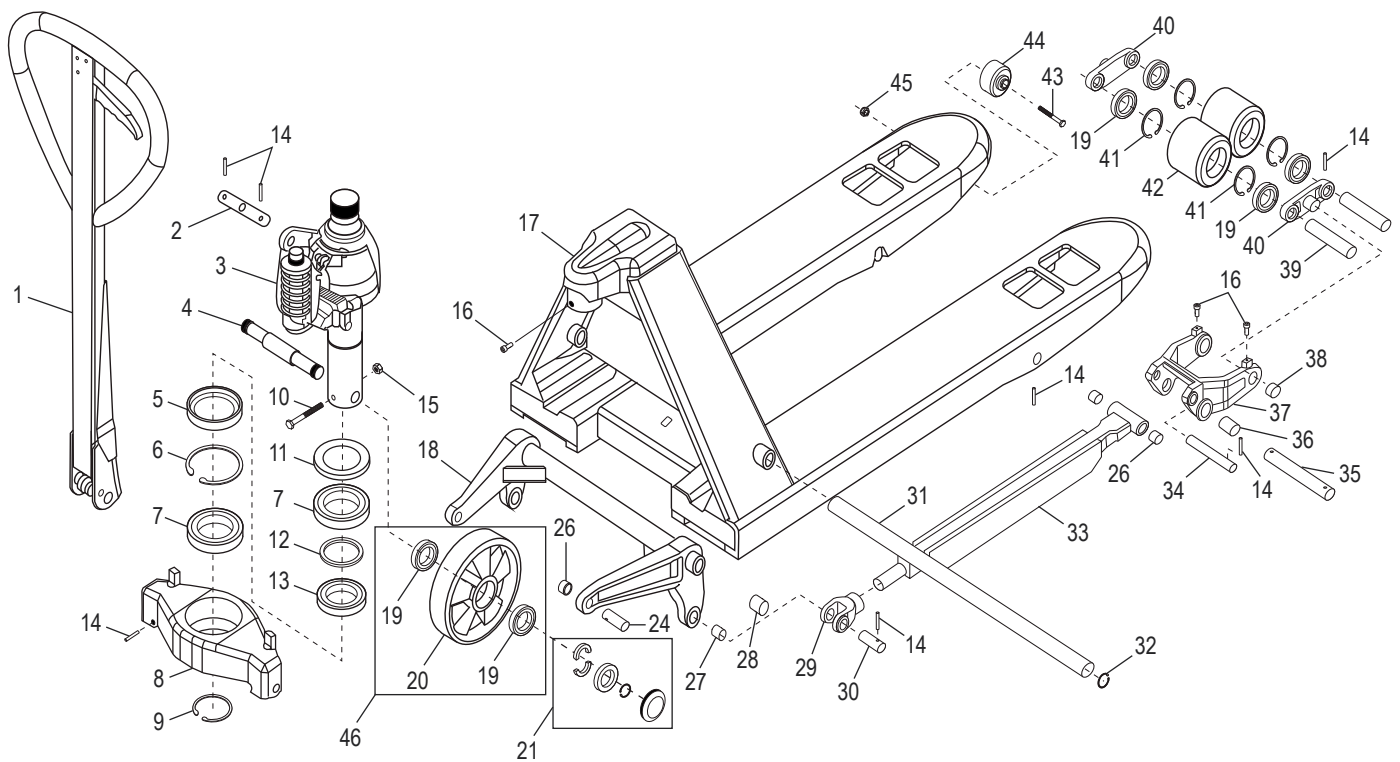
## TRANSPALETTE

### ROBUSTE

1 800 295-5510  
uline.ca



### SCHÉMA DE LA STRUCTURE



### Liste des pièces du schéma de la structure

#	DESCRIPTION	QTÉ	RÉF. ULINE	RÉF. DU FABRICANT
1	Ensemble De La Poignée	1	<a href="#">H-5484-1</a>	WB-HNDLASSY
2	Compression a axiale	1	<a href="#">H-5484-SHAFT</a>	WB-FRAME-PT2
3	Pompe À Huile	1	<a href="#">H-5484-PUMP</a>	PUMPWB
4	Essieu, Roue Avant	1	<a href="#">H-5484-4</a>	WB-FRAME-PT4
5	Anneau De Déflexion	1	<a href="#">H-5484-5Q</a>	WB-FRAME-PT5
6	Anneau De Retenue D'orifice 95	1	<a href="#">H-5484-FPT6</a>	WB-FRAME-PT6
7	Roulement 6012-2Rs	2	<a href="#">H-5484-7</a>	WB-FRAME-PT7
8	Support Du Siège	1	<a href="#">H-5484-8</a>	WB-FRAME-PT8

LISTE DES PIÈCES DU SCHÉMA DE LA STRUCTURE SUITE

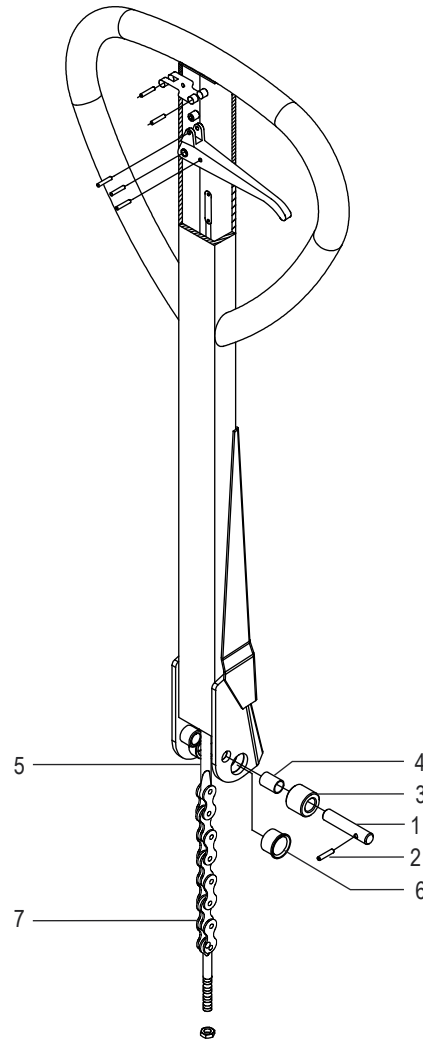
#	DESCRIPTION	QTÉ	RÉF. ULINE	RÉF. DU FABRICANT
9	Anneau De Retenue De L'arbre 60	1	<a href="#">H-5484-9</a>	WB-FRAME-PT9
10	Boulon À Tête Hexagonale de M8 x 70 mm	1	<a href="#">H-5484-10Q</a>	WB-FRAME-PT10
11	Couvercle De Roulement	1	<a href="#">H-5484-FPT11</a>	WB-FRAME-PT11
12	Plaque De Fixation	1	<a href="#">H-5484-12Q</a>	WB-FRAME-PT12
13	Butées À Billes 51112	1	<a href="#">H-5484-13Q</a>	WB-FRAME-PT13
14	Goupille À Ressort de 5 x 28 mm	22	<a href="#">H-5484-14</a>	WB-FRAME-PT14
15	Écrou Freiné de M8	1	-----	WB-FRAME-PT15
16	Vis À Tête Hexagonale de M6 x 12 mm	5	<a href="#">H-5484-16</a>	WB-FRAME-PT16
17	Cadre De Transpalette	1	-----	WB-FRAME-PT17
18	Ensemble Du Bras De Bascule 685	1	<a href="#">H-5484-PT18</a>	WB-FRAME-PT18
19	Roulement 6204-2Rs	12	<a href="#">H-1043-B9</a>	B9
20	Grande Roue (Directrice)	2	<a href="#">H-5484-20</a>	WB-FRAME-PT20
21	<b>Ensemble De Matériel D'installations De La Grande Roue (Directrice)</b> Comprend : • Demi-Cercle (4) • Rondelle (2) • Bague De Retenue Pour Essieu (2) • Couvercle Antipoussière (2)	1	<a href="#">H-7274</a>	WB-FRAME-PT21 WB-FRAME-PT22 WB-FRAME-PT23 WB-FRAME-PT25
24	Goupille Cylindrique de 16 x 42 mm	2	<a href="#">H-5484-24</a>	WB-FRAME-PT24
26	Bague de 16 x 18 x 15 mm	6	<a href="#">H-5484-26Q</a>	WB-FRAME-PT26
27	Bague de 16 x 18 x 20 mm	2	-----	WB-FRAME-PT27
28	Bague de 25 x 30 mm	2	-----	WB-FRAME-PT28
29	Tête D'accouplement	2	<a href="#">H-5484-CH29Q</a>	WB-FRAME-PT29
30	Goupille Cylindrique de 16 x 44 mm	2	<a href="#">H-5484-PR30Q</a>	WB-FRAME-PT30
31	Arbre Long 685 (Sans Orifice)	1	-----	WB-FRAME-PT31
32	Anneau De Retenue D'orifice 25	2	-----	WB-FRAME-PT32
33	Biellette De Liaison 1220	2	<a href="#">H-5484-33</a>	WB-FRAME-PT33
34	Goupille Cylindrique de 16 x 100 mm	2	<a href="#">H-5484-34</a>	WB-FRAME-PT34
35	Goupille Cylindrique de 20 x 158 mm	2	<a href="#">H-5484-35</a>	WB-FRAME-PT35
36	Bague de 20 x 23 x 25 mm	4	<a href="#">H-5484-36</a>	WB-FRAME-PT36
37	Support De Roue (Niveau Inférieur)	2	<a href="#">H-5484-37</a>	WB-FRAME-PT37
38	Bague de 20 x 23 x 12 mm	4	<a href="#">H-5484-38</a>	WB-FRAME-PT38
39	Goupille Cylindrique de 20 x 105 mm	4	<a href="#">H-5484-PT39</a>	WB-FRAME-PT39
40	Plaque De Support	4	<a href="#">H-5484-40</a>	WB-FRAME-PT40
41	Anneau De Retenue D'orifice 47	8	<a href="#">H-5484-PT41</a>	WB-FRAME-PT41
42	Roue (Porteuse) De Fourche	4	<a href="#">H-5484-42</a>	WB-FRAME-PT42
43	Boulon À Tête Hexagonale de M6 x 50 mm	2	<a href="#">H-5484-PT43</a>	WB-FRAME-PT43
44	Roue (Rouleau) D'entrée, Noir/Blanc	2	<a href="#">H-5484-PT44</a>	WB-FRAME-PT44
45	Écrou Freiné de M6	2	<a href="#">H-5484-PT45</a>	WB-FRAME-PT45
46	Ensemble De La Roue Directrice	1	<a href="#">H-5484-SWA</a>	WB-FRAME-PT2019

**ULINE H-5484**  
**TRANSPALETTE**  
**ROBUSTE**

1 800 295-5510  
 uline.ca

SCHÉMA DE LA POIGNÉE

A



LISTE DES PIÈCES DU SCHÉMA DE LA POIGNÉE

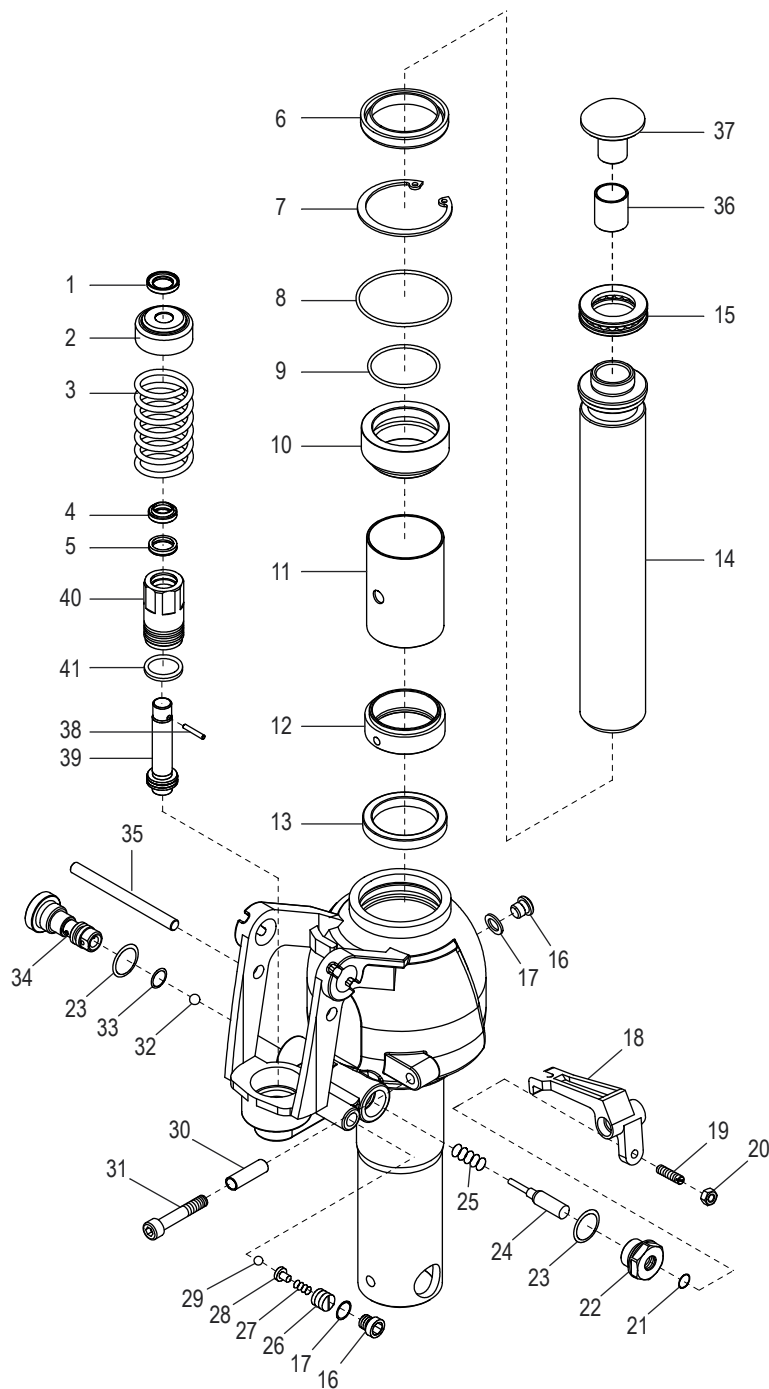
#	DESCRIPTION	QTÉ	RÉF. ULINE	RÉF. DU FABRICANT
A	<b>Ensamble De La Poignée</b> Comprend : • Axe Cylindrique #1 (1) • Cheville Ressort de 3 x 20 mm #2 (1) • Roue De Pression #3 (1) • Bague 1220 #4 (1) • Unité De Tige De Traction #5 (1) • Bague Sf-1F2015 #6 (2) • Chaîne C-6-9-04A #7 (1)	1	<a href="#">H-5484-1</a>	WB-HNDLASSY
1	Axe Cylindrique	1	<a href="#">H-5484-8</a>	WB-HANDLE-PT8
2	Cheville Ressort de 3 x 20 mm	1	<a href="#">H-5484-9</a>	WB-HANDLE-PT9
3	Roue De Pression	1	<a href="#">H-5484-10</a>	WB-HANDLE-PT10
4	Bague 1220	1	<a href="#">H-5484-11</a>	WB-HANDLE-PT11
5	Unité De Tige De Traction	1	<a href="#">H-5484-12</a>	WB-HANDLE-PT12
6	Bague Sf-1F2015	2	<a href="#">H-5484-13</a>	WB-HANDLE-PT13
7	Chaîne C-6-9-04A	1	<a href="#">H-5484-CHAIN</a>	WB-HANDLE-PT14

# ULINE H-5484

## TRANSPALETTE ROBUSTE

1 800 295-5510  
uline.ca

### SCHÉMA DE LA POMPE



### Liste des pièces du schéma de la pompe

#	DESCRIPTION	QTÉ	RÉF. ULINE	RÉF. DU FABRICANT
1	Rondelle De Socle	1	<a href="#">H-5484-BWSHR</a>	WB-PUMP-PT1
2	Coiffe De Ressort	1	<a href="#">H-5484-PT2</a>	WB-PUMP-PT2
3	Ressort	1	<a href="#">H-5484-SPRNG</a>	WB-PUMP-PT3
4	Anneau Antipoussière 18	1	<a href="#">H-5484-PT4</a>	WB-PUMP-PT4

## LISTE DES PIÈCES DU SCHÉMA DE LA POMPE SUITE

#	DESCRIPTION	QTÉ	RÉF. ULINE	RÉF. DU FABRICANT
5	Joint D'étanchéité De Type Y 18	1	<a href="#">H-5484-PT5</a>	WB-PUMP-PT5
6	Anneau Antipoussière de 45 x 57 mm	1	<a href="#">H-5484-PT6</a>	WB-PUMP-PT6
7	Anneau De Retenue D'orifice 58	1	<a href="#">H-5484-PT7</a>	WB-PUMP-PT7
8	Joint Torique de 58 x 3,55 mm	1	<a href="#">H-5484-PT8</a>	WB-PUMP-PT8
9	Joint Torique de 45 x 3,55 mm	1	<a href="#">H-5484-PT9</a>	WB-PUMP-PT9
10	Couvercle De Guidage	1	<a href="#">H-5484-PT10Q</a>	WB-PUMP-PT10
11	Manchon Du Tuyau	1	<a href="#">H-5484-PT11Q</a>	WB-PUMP-PT11
12	Anneau De Guidage	1	<a href="#">H-5484-PT12Q</a>	WB-PUMP-PT12
13	Joint D'étanchéité de 45 x 55 x 7 mm	1	<a href="#">H-5484-PT13Q</a>	WB-PUMP-PT13
14	Piston 45 x 289,5	1	-----	WB-PUMP-PT14
15	Butée À Billes 51106	1	<a href="#">H-5484-PT15</a>	WB-PUMP-PT15
16	Bouchon À Vis de M10 x 1 mm	2	<a href="#">H-5484-PT16</a>	WB-PUMP-PT16
17	Rondelle 10	2	<a href="#">H-5484-PT17</a>	WB-PUMP-PT17
18	Plaque De Levier	1	<a href="#">H-5484-18</a>	WB-PUMP-PT18
19	Vis De Blocage À Fentes Avec Bout Pointu de M6 x 25 mm	1	<a href="#">H-5484-SLSCR</a>	WB-PUMP-PT19
20	Écrou À Tête Hexagonale M6	1	<a href="#">H-5484-NUTM6</a>	WB-PUMP-PT20
21	Joint Torique de 10 x 2,65 mm	1	<a href="#">H-5484-PT21</a>	WB-PUMP-PT21
22	Ensemble De Goupille De Déclenchement	1	<a href="#">H-5484-PT22</a>	WB-PUMP-PT22
23	Rondelle 20	2	<a href="#">H-5484-PT23</a>	WB-PUMP-PT23
24	Goupille De Déclenchement	1	<a href="#">H-5484-PT24</a>	WB-PUMP-PT24
25	Ressort de 1,2 x 9,5 x 22 mm	1	<a href="#">H-5484-PT25</a>	WB-PUMP-PT25
26	Vis De Réglage De Pression de M10 x 1 mm	1	<a href="#">H-5484-PT26</a>	WB-PUMP-PT26
27	Ressort de 2 x 8 x 16 mm	1	<a href="#">H-5484-PT27</a>	WB-PUMP-PT27
28	Siège De Rotule	1	<a href="#">H-5484-PT28</a>	WB-PUMP-PT28
29	Bille D'acier 5	1	<a href="#">H-5484-PT29</a>	WB-PUMP-PT29
30	Tube D'essieu	1	<a href="#">H-5484-PT30Q</a>	WB-PUMP-PT30
31	Vis À Tête Hexagonale de M8 x 45 mm	1	<a href="#">H-5484-PT31Q</a>	WB-PUMP-PT31
32	Bille D'acier 7	1	<a href="#">H-5484-PT32</a>	WB-PUMP-PT32
33	Joint Torique de 10 x 2,65 mm	1	<a href="#">H-5484-PT33</a>	WB-PUMP-PT33
34	Appareil À Cartouches Iii	1	<a href="#">H-5484-PT34</a>	WB-PUMP-PT34
35	Tige De Verrouillage	1	<a href="#">H-5484-PT36Q</a>	WB-PUMP-PT35
36	Bague Composé de 20 x 23 x 25 mm	1	<a href="#">H-5484-PT37Q</a>	WB-PUMP-PT37
37	Dessus De La Bille	1	<a href="#">H-5484-PT38</a>	WB-PUMP-PT38
38	Axe Cylindrique de 4 x 25 mm	1	<a href="#">H-5484-PPT39</a>	WB-PUMP-PT39
39	Ensemble Intérieur De Pompe À Double Vitesse	1	<a href="#">H-5484-DSPCA</a>	WB-PUMP-PT40
40	Cylindre De Pompe À Double Vitesse	1	<a href="#">H-5484-PT40</a>	WB-PUMP-PT41
41	Rondelle En Cuivre	1	<a href="#">H-5484-PMP41</a>	WB-PUMP-PT42
	Ensemble De La Pompe (Non Illustré)	1	<a href="#">H-5484-PUMP</a>	PUMPWB