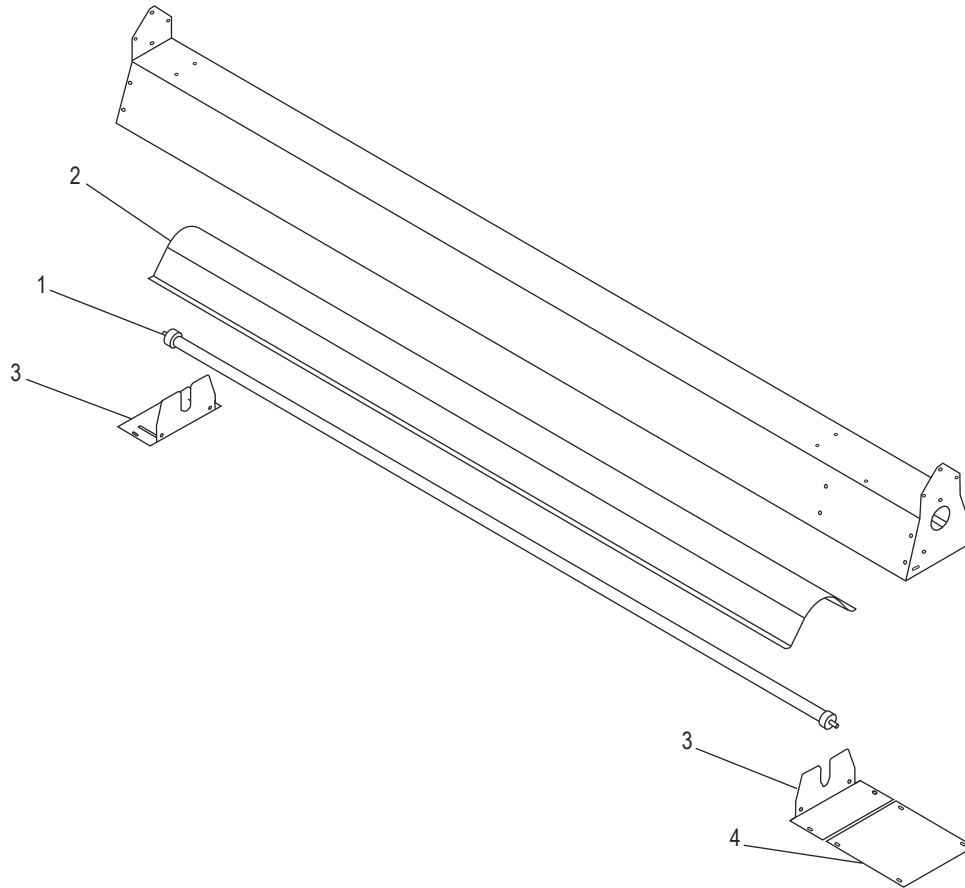
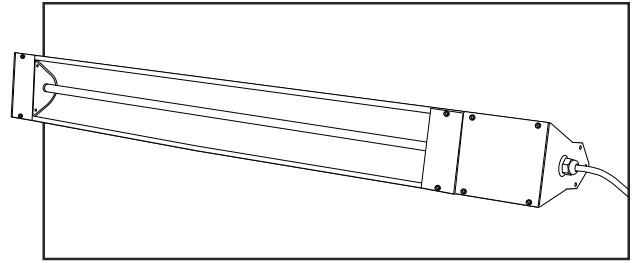


# ULINE H-5780

## INFRARED HEATER CEILING/WALL MOUNT

1-800-295-5510  
uline.com

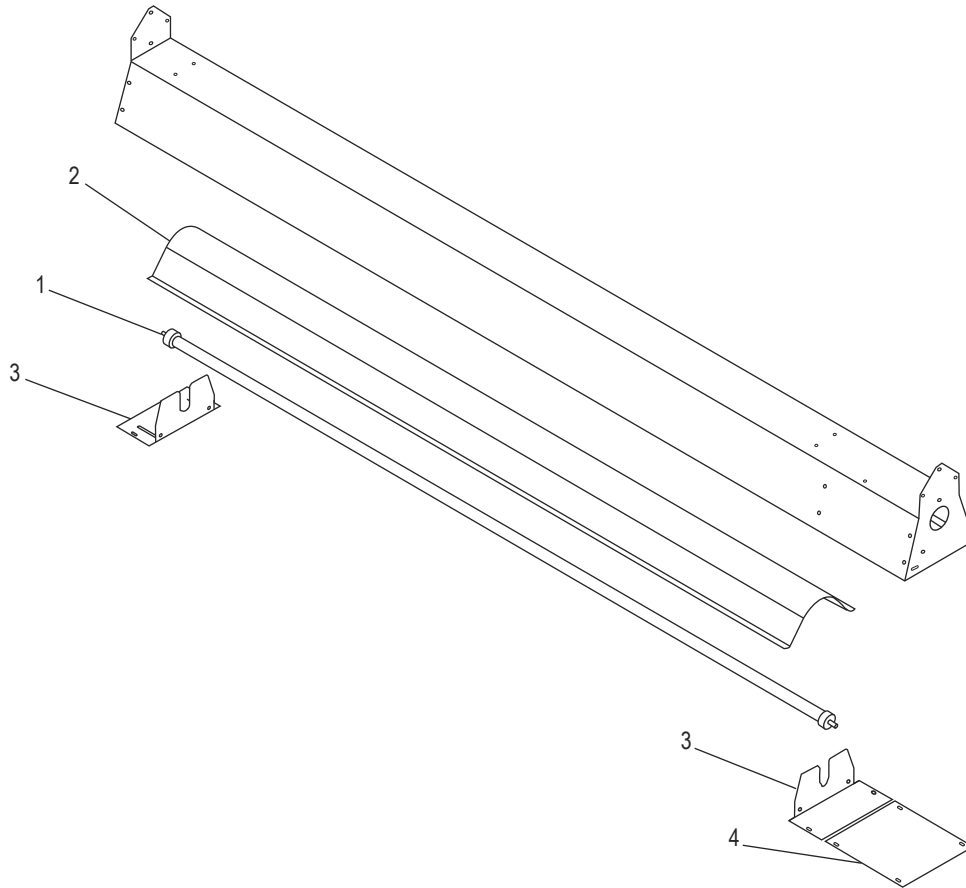
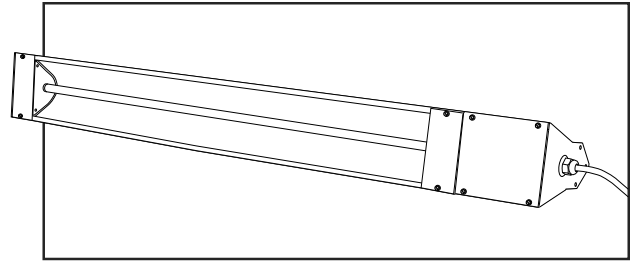


#	DESCRIPTION	QTY.	ULINE PART NO.	MFG. PART NO.
1	Replacement Bulb	1	H-5780-BULB	04432302
2	Reflector	1	H-5780-REF	8561801
3	End Cap	1	H-5780-ECAP	8561201
4	Cover Plate	1	H-5780-CVR	44380001

**ULINE H-5780**

**CALENTADOR  
INFRARROJO PARA  
INSTALACIÓN EN  
TECHO/PARED**

800-295-5510  
uline.mx

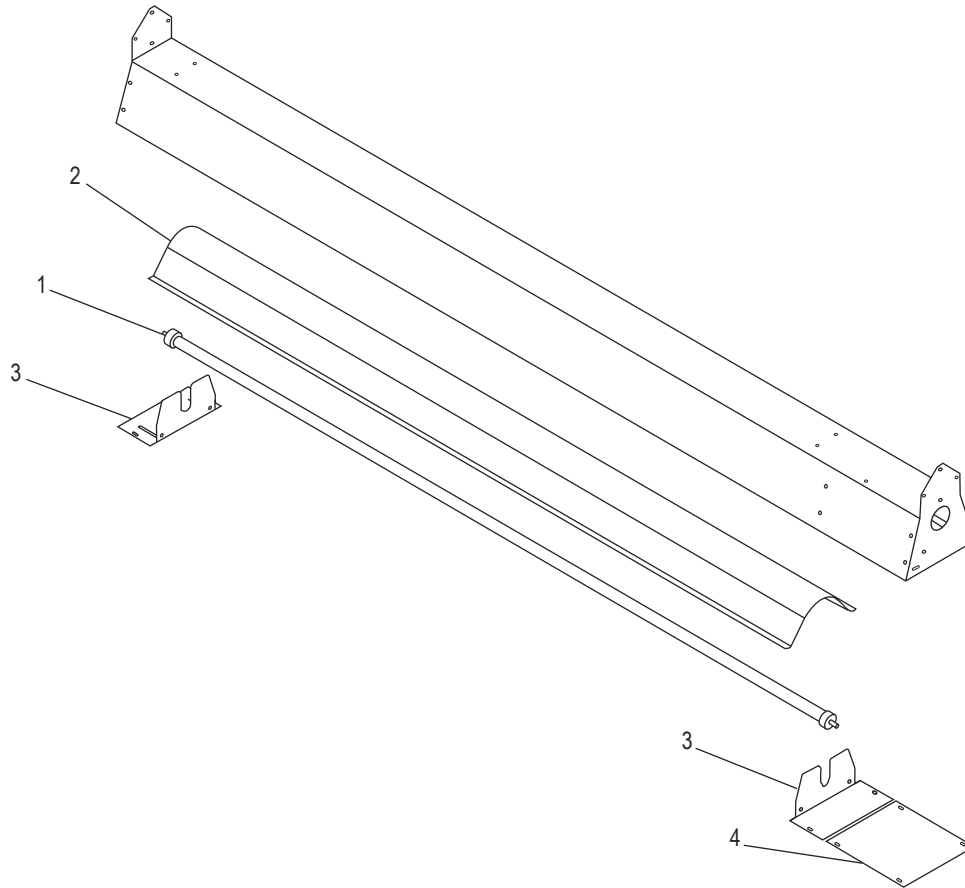
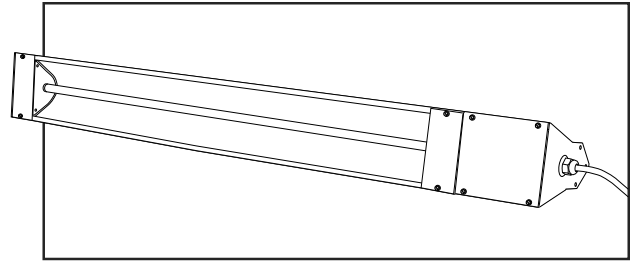


#	DESCRIPCIÓN	CANT.	NO. DE PARTE ULINE	NO. DE PARTE DEL FABRICANTE
1	Lámpara de Repuesto	1	H-5780-BULB	04432302
2	Reflector	1	H-5780-REF	8561801
3	Tapa del Extremo	1	H-5780-ECAP	8561201
4	Placa de Cubierta	1	H-5780-CVR	44380001

**ULINE H-5780**

**APPAREIL DE CHAUFFAGE  
INFRAROUGE –  
INSTALLATION  
MURALE/AU PLAFOND**

1-800-295-5510  
uline.ca



#	DESCRIPTION	QTÉ	RÉF. ULINE	RÉF. DU FABRICANT
1	Ampoule de rechange	1	H-5780-BULB	04432302
2	Réflecteur	1	H-5780-REF	8561801
3	Embout	1	H-5780-ECAP	8561201
4	Plaque de finition	1	H-5780-CVR	44380001