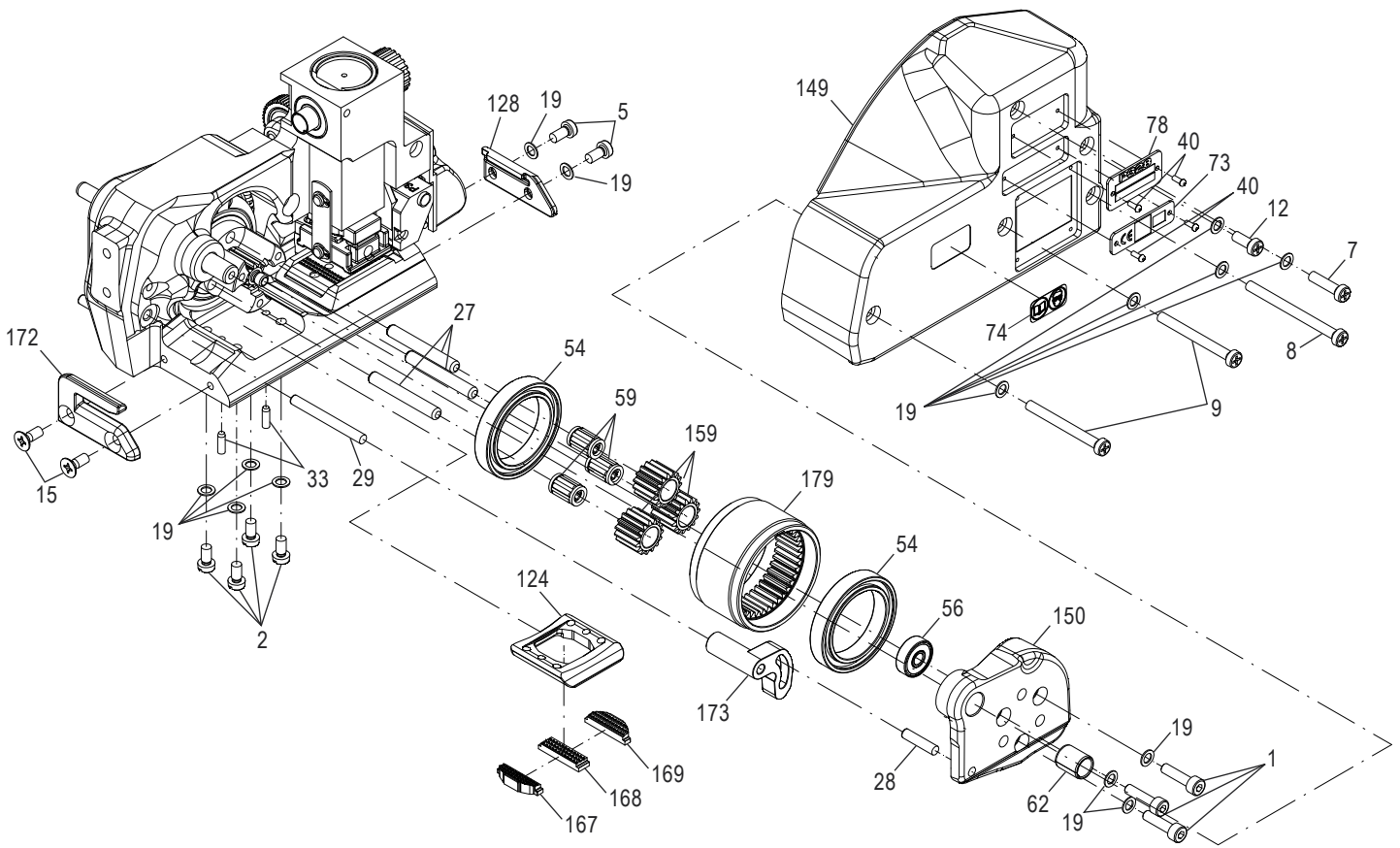
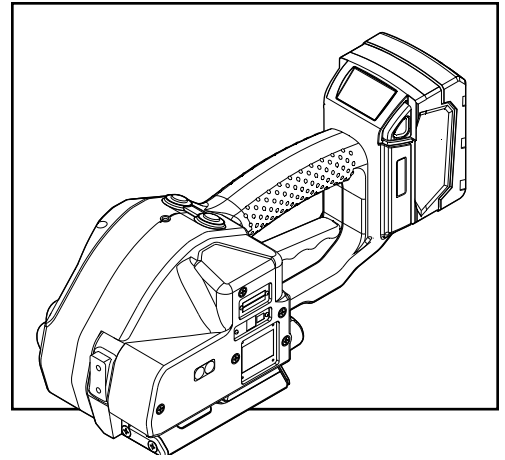


ULINE H-5908

FROMM P328 SEALLESS COMBO STRAPPING TOOL

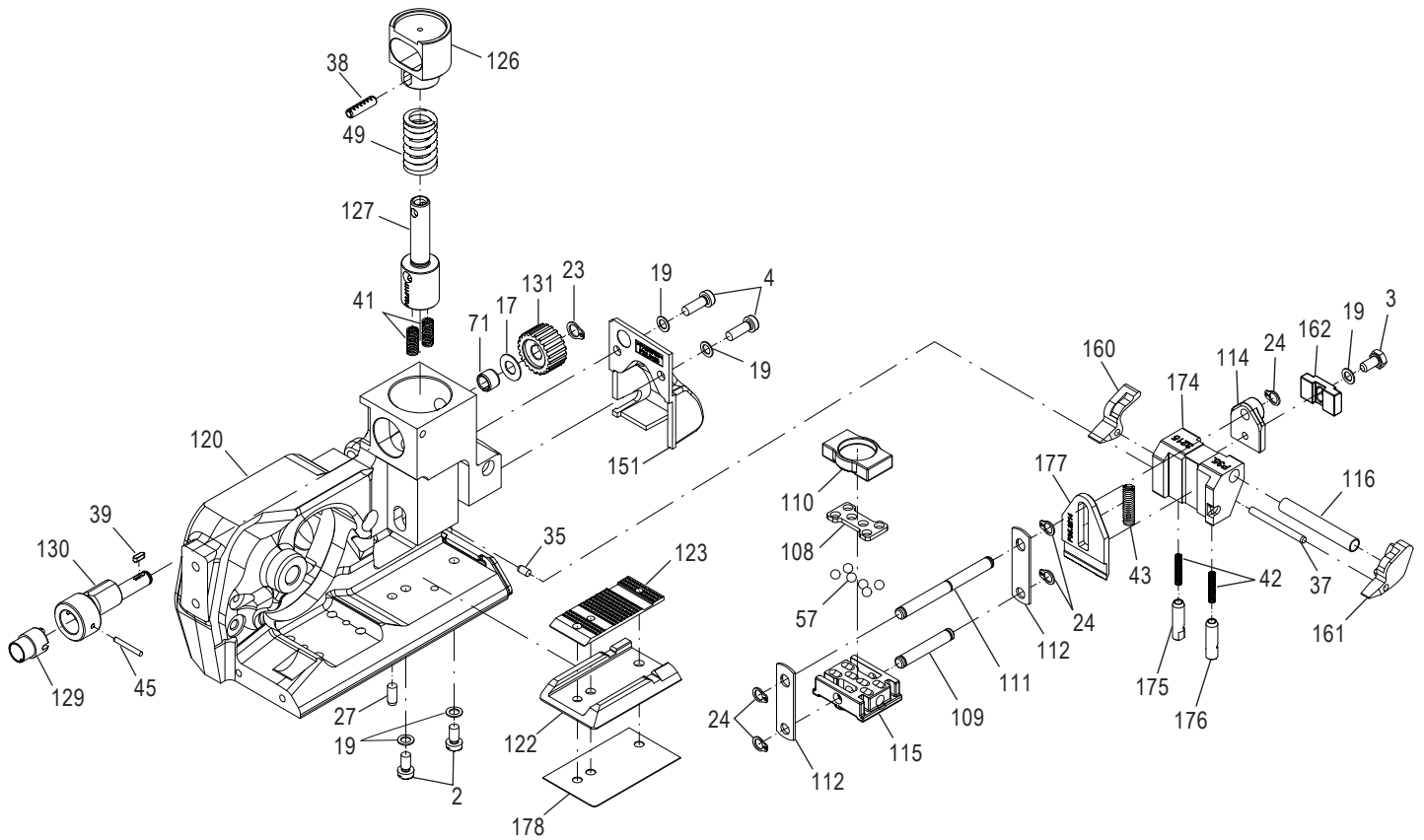
1-800-295-5510
uline.com



ULINE H-5908

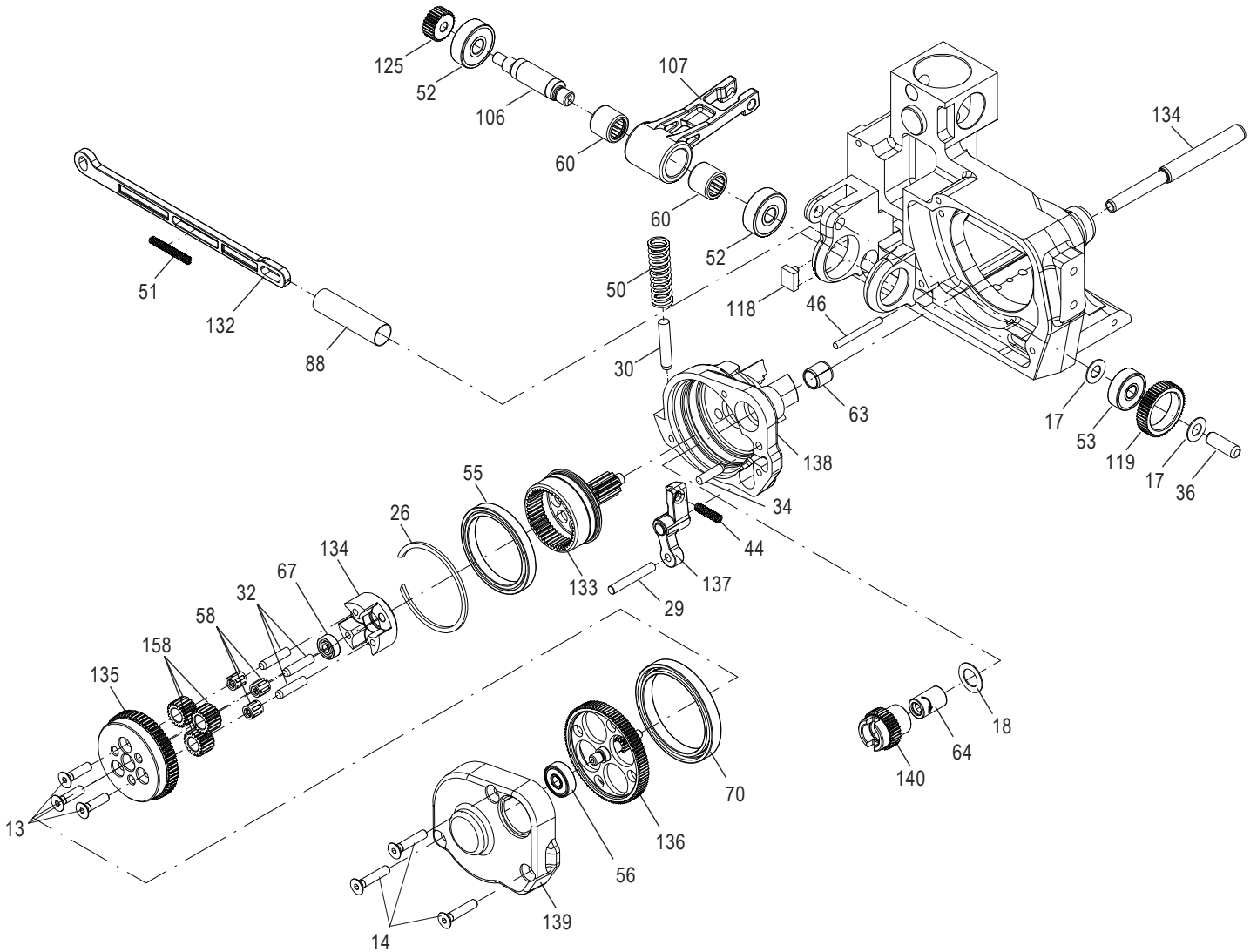
FROMM P328 SEALLESS COMBO STRAPPING TOOL

1-800-295-5510
uline.com



ULINE H-5908
FROMM P328 SEALLESS
COMBO STRAPPING TOOL

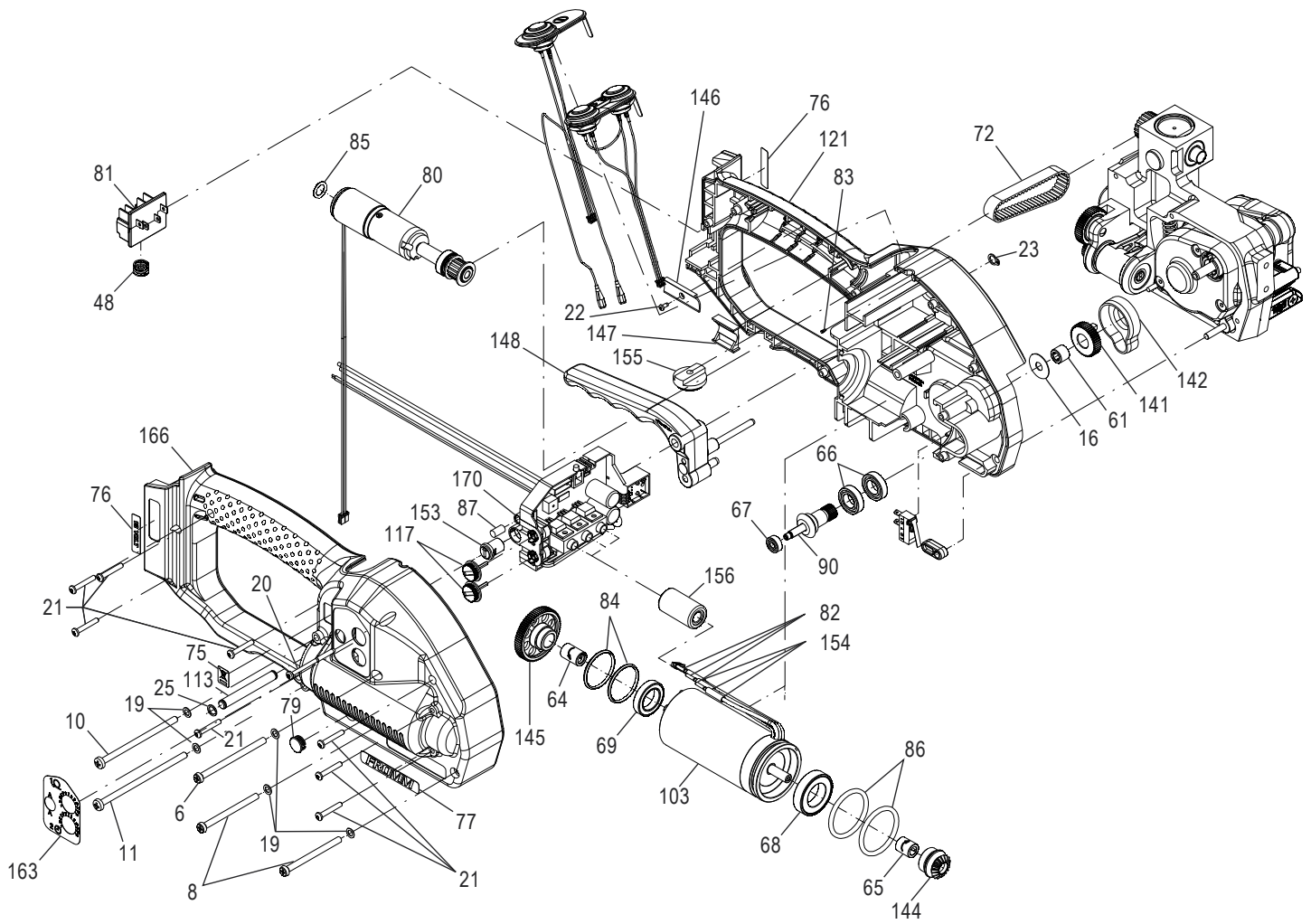
1-800-295-5510
uline.com



ULINE H-5908

FROMM P328 SEALLESS COMBO STRAPPING TOOL

1-800-295-5510
uline.com



ULINE H-5908
**FROMM P328 SEALLESS
 COMBO STRAPPING TOOL**

1-800-295-5510
 uline.com

#	DESCRIPTION	QTY.	ULINE PART NO.	MFG. PART NO.
1	Screw – M4 x 16 mm	3	H-6028	N1.1196
2	Screw – M4 x 7.8 mm	6	H-6029	N1.1305
3	Hexagon Screw – M4 x 8 mm	1	H-5908-1553	N1.1553
4	Flat Head Screw – M4 x 12 mm	2	H-7184-4Q	N1.1910
5	Flat Head Screw – M4 x 8 mm	2	H-5909-1911	N1.1911
6	Flat Head Screw – M4 x 60 mm	1	H-2615-137Q	N1.1927
7	Flat Head Screw – M4 x 16 mm	1	H-6030	N1.1928
8	Flat Head Screw – M4 x 50 mm	3	H-6031	N1.1934
9	Flat Head Screw – M4 x 40 mm	2	H-6032	N1.1943
10	Screw – M4 x 70 mm	1	H-5909-11966	N1.1966
11	Screw – M4 x 80 mm	1	H-5909-1972	N1.1972
12	Flat Head Screw – M4 x 10 mm	1	H-6033	N1.1973
13	Countersunk Screw – M4 x 16 mm	3	-----	N1.2188
14	Countersunk Screw – M4 x 20 mm	3	-----	N1.2189
15	Countersunk Screw – M4 x 10 mm	2	H-5908-SCREW	N1.2222
16	Spacer Washer – 6 x 18 x 0.5 mm	1	-----	N1.6305
17	Spacer Washer – 6 x 12 x 0.5 mm	3	-----	N1.6331
18	Spacer Washer – 9 x 15 x 0.5 mm	1	-----	N1.6386
19	Safety Washer – M4	24	H-6034	N1.6504
20	PT-Screw – 3 x 40 mm	1	H-956-1/2SC	N1.7207
21	PT-Screw – 3 x 20 mm	8	H-6035	N1.7211
22	PT-Screw – 2.2 x 5 mm	1	-----	N1.7222
23	Security Ring – 6 mm	2	H-2615-RNG	N2.1118
24	Security Ring – 5 mm	5	H-2615-1121	N2.1121
25	Spring Ring – SW6	1	H-2614-160	N2.1606
26	Spring Ring – SB44	1	-----	N2.1610
27	Parallel Pin 4 – M6 x 10 mm	1	-----	N2.2110
28	Parallel Pin 4 – M6 x 18 mm	1	H-5908-2119	N2.2119
29	Parallel Pin 4 – M6 x 40 mm	1	H-5909-29	N2.2124
30	Parallel Pin 5 – M6 x 26 mm	1	-----	N2.2126
31	Parallel Pin 4 – M6 x 28 mm	1	-----	N2.2142
32	Parallel Pin 4 – H6 x 18 mm	3	-----	N2.2145
33	Parallel Pin 3 – M6 x 10 mm	2	H-5909-33	N2.2147
34	Parallel Pin 4 – M6 x 16 mm	1	-----	N2.2180
35	Parallel Pin 3 – M6 x 6 mm	1	H-956-PPIN	N2.2187
36	Parallel Pin 6 – H6 x 18 mm	1	-----	N2.2190
37	Parallel Pin 3 – M6 x 32 mm	1	H-5908-37	N2.2193
38	Dowel Pin – 4 x 15 mm	1	-----	N2.2443
39	Feather Key – 2 x 2 x 6 mm	1	-----	N2.3364
40	Hammer Head Bolt – 1.85 x 4.76 mm	2	-----	N2.4902

ULINE H-5908
**FROMM P328 SEALLESS
 COMBO STRAPPING TOOL**

1-800-295-5510
 uline.com

#	DESCRIPTION	QTY.	ULINE PART NO.	MFG. PART NO.
41	Pressure Spring – 0.6 x 4.8 x 20/15.5 mm	2	H-5909-41Q	N2.5157
42	Pressure Spring – 0.32 x 2.82 x 20.5 mm	2	H-5908-42	N2.5178
43	Pressure Spring – 0.8 x 4.8 x 20/18.5 mm	1	H-5908-43	N2.5237
44	Pressure Spring – 0.5 x 4 x 24/16.5 mm	1	H-5909-46	N2.5296
45	Dowel Pin – 2 x 16 mm	1	H-11455	N21.2140
46	Parallel Pin 3 – H6 x 30 mm	1	-----	N21.2144
47	Parallel Pin 5 – H6 x 37.6 mm	3	-----	N21.2145
48	Pressure Spring – 0.9 x 10 x 15/5.5 mm	1	H-7184-48Q	N21.5124
49	Pressure Spring – 2.5 x 14.2 x 33.5/7.5 mm	1	-----	N21.5138
50	Pressure Spring – 1.25 x 9.8 x 45/14.5 mm	1	H-7369	N21.5139
51	Pressure Spring – 0.43 x 3.6 x 32.9/27.5 mm	1	H-5908-PS	N21.5219
52	Ball Bearing – 7 x 22 x 7 mm	2	H-5908-1134	N3.1134
53	Ball Bearing – 6 x 19 x 6 mm	1	H-5908-1159	N3.1159
54	Ball Bearing – 30 x 42 x 7 mm	2	H-956-BEAR	N3.1172
55	Ball Bearing – 35 x 44 x 5 mm	1	-----	N3.1178
56	Ball Bearing – 5 x 16 x 5 mm	2	H-5908-56	N3.1185
57	Ball – 4 mm	6	H-6036	N3.1702
58	Needle Cage K – 4 x 7 x 7 mm TN	3	-----	N3.2105
59	Needle Cage K – 5 x 9 x 13 mm TN	3	H-5908-2107Q	N3.2107
60	Needle Bushing – 10 x 14 x 12 mm	2	H-5909-2347	N3.2347
61	Needle Bushing – 6 x 10 x 8 mm	1	-----	N3.2362
62	Slide-Bearing – 8 x 10 x 12 mm	1	H-6684	N3.3150
63	Slide-Bearing – 8 x 10 x 10 mm	1	-----	N3.3172
64	Needle Free Wheeling – 6 x 10 x 15 mm	2	H-6037	N3.4509
65	Free Wheeling – 6 x 10 x 12 mm	1	H-6038	N3.4520
66	Ball Bearing – 10 x 19 x 5 mm	2	H-2614-179	N31.1118
67	Ball Bearing – 4 x 11 x 4 mm	2	H-2614-161	N31.1120
68	Ball Bearing – 17 x 30 x 7 mm	1	H-5908-1151	N31.1151
69	Ball Bearing – 15 x 24 x 5 mm	1	H-5908-1163	N31.1163
70	Ball Bearing – 40 x 50 x 6 mm	1	-----	N31.1169
71	Slide-Bearing – 6 x 8 x 6 mm	1	-----	N31.3115
72	Toothed Belt – 9 mm	1	H-5909-3236Q	N4.3236
73	Label – "CE"	1	-----	N4.9159
74	Adhesive Label – "Warnings"	1	-----	N41.9127
75	Adhesive Label – "WEEE"	1	-----	N43.9164
76	Adhesive Label – "18 Volt"	1	-----	N43.9192
77	Adhesive Label – "FROMM"	1	-----	N44.9104
78	Type Plate – "P328"	1	-----	N44.9122
79	Cover	1	-----	N5.2702
80	Gear Motor	1	H-6039	N51.1127
81	Insertation Part	1	H-2614-2194	N51.2194

ULINE H-5908
**FROMM P328 SEALLESS
 COMBO STRAPPING TOOL**

1-800-295-5510
 uline.com

#	DESCRIPTION	QTY.	ULINE PART NO.	MFG. PART NO.
82	Contact Plug	3	-----	N51.2199
83	Spring Pin	1	-----	N51.5477
84	O-Ring – 24 x 2 mm	2	H-5908-6224	N6.6224
85	O-Ring – 8 x 2 mm	1	H-5908-6232	N6.6232
86	O-Ring – 29.5 x 3 mm	2	H-5908-6220	N61.6220
87	Holding Down Clamp	1	-----	P30.1210
88	Tube	1	H-5909-1124	P31.1124
89	Rocker	1	-----	P32.0144
90	Pinion	1	H-2614-178	P32.0149
91	Body	1	-----	P32.0200
92	Welding Excentric	1	-----	P32.0202
93	Spring Bolt	1	-----	P32.0203
94	Gear Wheel	1	-----	P32.0204
95	Idler Step	1	-----	P32.0205
96	Lever	1	-----	P32.0206
97	Gear Body	1	-----	P32.0207
98	Gear	1	-----	P32.0208
99	Gear Wheel	1	-----	P32.0209
100	Gear Wheel	1	-----	P32.0210
101	Conical Gear Wheel	1	-----	P32.0211
102	Gear Wheel	1	-----	P32.0212
103	Motor	1	H-6040	P32.0213
104	Cover	1	-----	P32.0221
105	End Cover	1	H-5909-107Q	P32.0222
106	Welding Excentric	1	H-5908-1022	P32.1022
107	Rocker	1	H-6044	P32.1024
108	Ball Cage	1	H-5909-110Q	P32.1027
109	Bolt	1	H-6045	P32.1028
110	Thrust Piece	1	-----	P32.1029
111	Driving Pin	1	H-5909-113	P32.1032
112	Driver	2	H-6046	P32.1035
113	Handle Shaft	1	H-7292	P32.1215
114	Pusher	1	H-5908-1251	P32.1251
115	Welding Gripper	1	H-1728-1511	P32.1511
116	Centering Sleeve	1	H-5908-116	P32.1710
117	Turning Button	2	H-2614-TB	P32.2009
118	Guide	1	-----	P32.2012
119	Gear Wheel	1	H-2615-GEAR	P32.2016
120	Body	1	H-5908-8101	P32.8101
121	Motor Housing	1	H-6041	P32.8103
122	Steel Insert	1	H-5908-8106	P32.8106

ULINE H-5908
**FROMM P328 SEALLESS
 COMBO STRAPPING TOOL**

1-800-295-5510
 uline.com

#	DESCRIPTION	QTY.	ULINE PART NO.	MFG. PART NO.
123	Welding Stop Gripper	1	H-6047	P32.8107
124	Holder	1	H-5908-124	P32.8108
125	Pinion	1	H-5908-8115	P32.8115
126	Spring Slide	1	-----	P32.8116
127	Spring Bolt	1	-----	P32.8117
128	Strap Guide Plate	1	H-5908-8118	P32.8118
129	Magnet	1	H-11456	P32.8120
130	Excentric Shaft	1	H-11457	P32.8121
131	Toothed Belt Pulley	1	-----	P32.8122
132	Pusher	1	-----	P32.8125
133	Gear Wheel	1	-----	P32.8126
134	Planet Shaft	1	-----	P32.8127
135	Gear Wheel	1	-----	P32.8128
136	Gear Wheel	1	-----	P32.8129
137	Lever	1	H-5909-142	P32.8130
138	Gear Body	1	-----	P32.8131
139	Gearing Cover	1	-----	P32.8132
140	Gear Wheel	1	-----	P32.8134
141	Gear Wheel	1	-----	P32.8135
142	Housing	1	-----	P32.8136
143	Swivel Shaft	1	-----	P32.8137
144	Conical Gear Shaft	1	H-5909-8138	P32.8138
145	Gear Wheel	1	H-5908-8139	P32.8139
146	Retainer	1	-----	P32.8140
147	Covering	1	-----	P32.8141
148	Handle Lever	1	H-6685	P32.8142
149	Cover	1	H-5908-8158	P32.8158
150	End Cover	1	H-6051	P32.8159
151	Cover	1	H-5908-8195	P32.8195
152	Gear Wheel	1	-----	P33.0204
153	Turning Button	1	-----	P33.2115
154	Shrinkable Hose	3	-----	P33.2127
155	Disk	1	H-5908-DISK	P32.2145
156	Dowel	1	-----	P33.2155
157	Pusher	1	-----	P35.0146
158	Idler Gear	3	-----	P35.3104
159	Idler Gear	3	H-5908-3201	P35.3201
160	Seesaw Lever	1	H-1728-SLVR	P35.3220
161	Seesaw Lever	1	H-2615-3221	P35.3221
162	Thrust Piece	1	H-5908-3223	P35.3223
163	Adhesive Label – "Button Panel"	1	-----	N44.9160

ULINE H-5908
FROMM P328 SEALLESS
COMBO STRAPPING TOOL

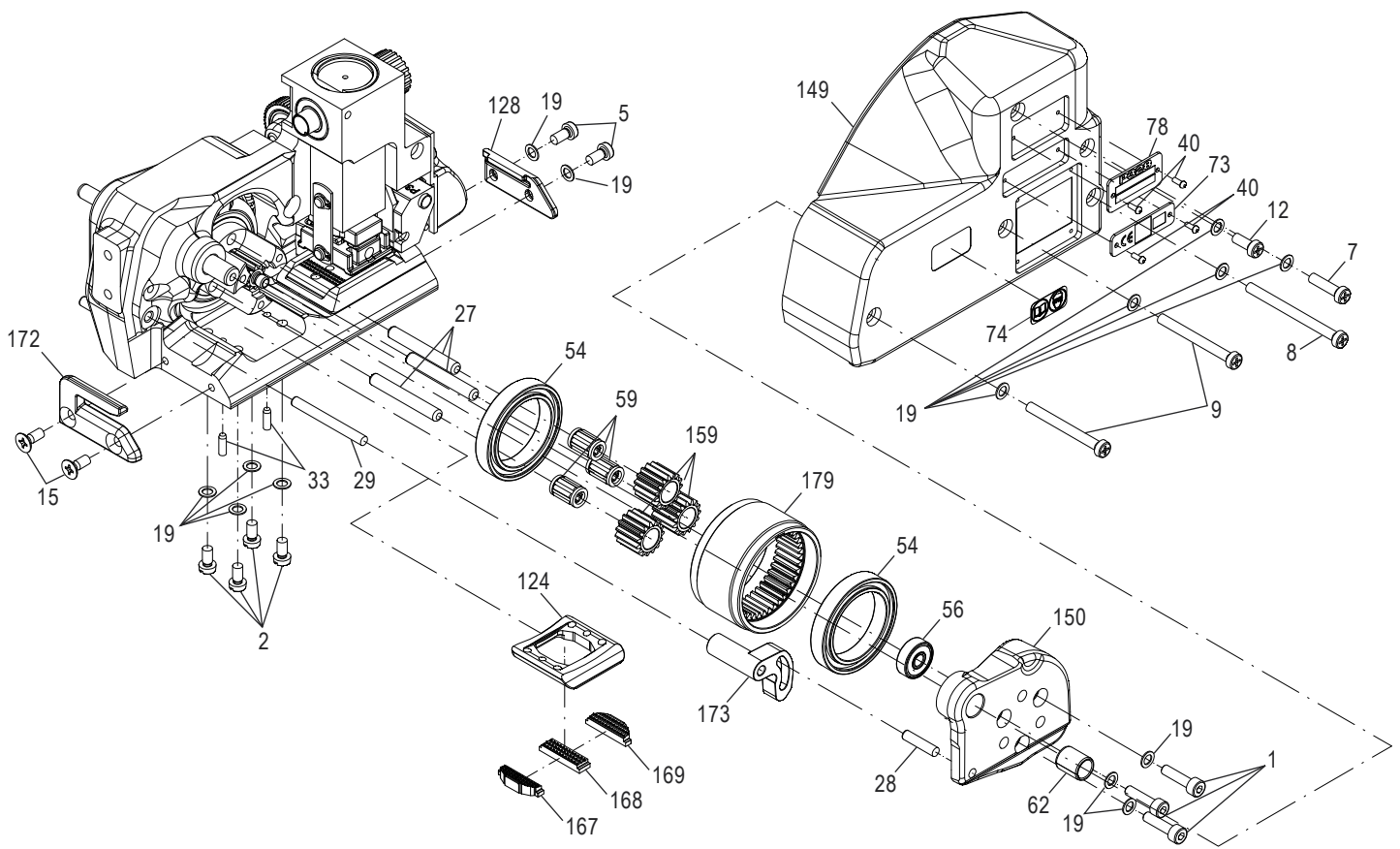
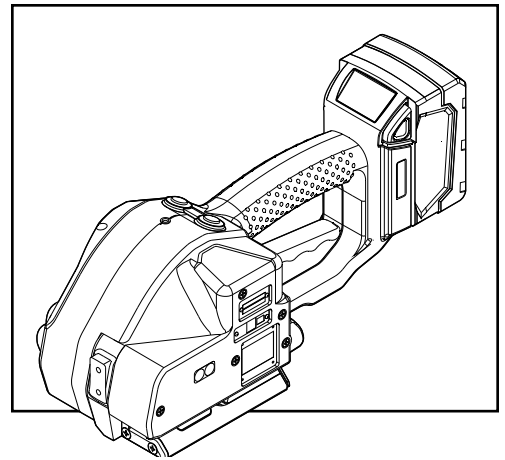
1-800-295-5510
 uline.com

#	DESCRIPTION	QTY.	ULINE PART NO.	MFG. PART NO.
164	Base Model	1	-----	P32.0201
166	Motor Housing	1	H-6042	P32.8105
167	Gripper	1	H-5908-167	P32.8112
168	Gripper	1	H-5908-168	P32.8113
169	Gripper	1	H-5908-169	P32.8114
170	Circuit Board	1	H-5908-8148Q	P32.8148
171	Touch Contact-Switch	1	H-6043	P32.8150
172	Strap Stop	1	H-5908-8163	P32.8163
173	Strap Guide	1	-----	P32.8173
174	Guide Case	1	H-5908-8179	P32.8179
175	Guide Pin	1	H-5908-175	P32.8183
176	Guide Pin	1	H-5908-176	P32.8191
177	Cutter	1	H-5908-8197	P32.8197
178	Insertion Part	1	H-5908-8198	P32.8198
179	Tensioning Wheel	1	H-5908-3202	P35.3202
	Circuit Board with Connector (Not Shown)	1	H-5908-0215	P32.0215
	Suspension Bracket (Not Shown)	1	H-5908-0223	P32.0223

ULINE H-5908

**FROMM P328
HERRAMIENTA COMBINADA
PARA UNIÓN SIN SELLO**

800-295-5510
uline.mx



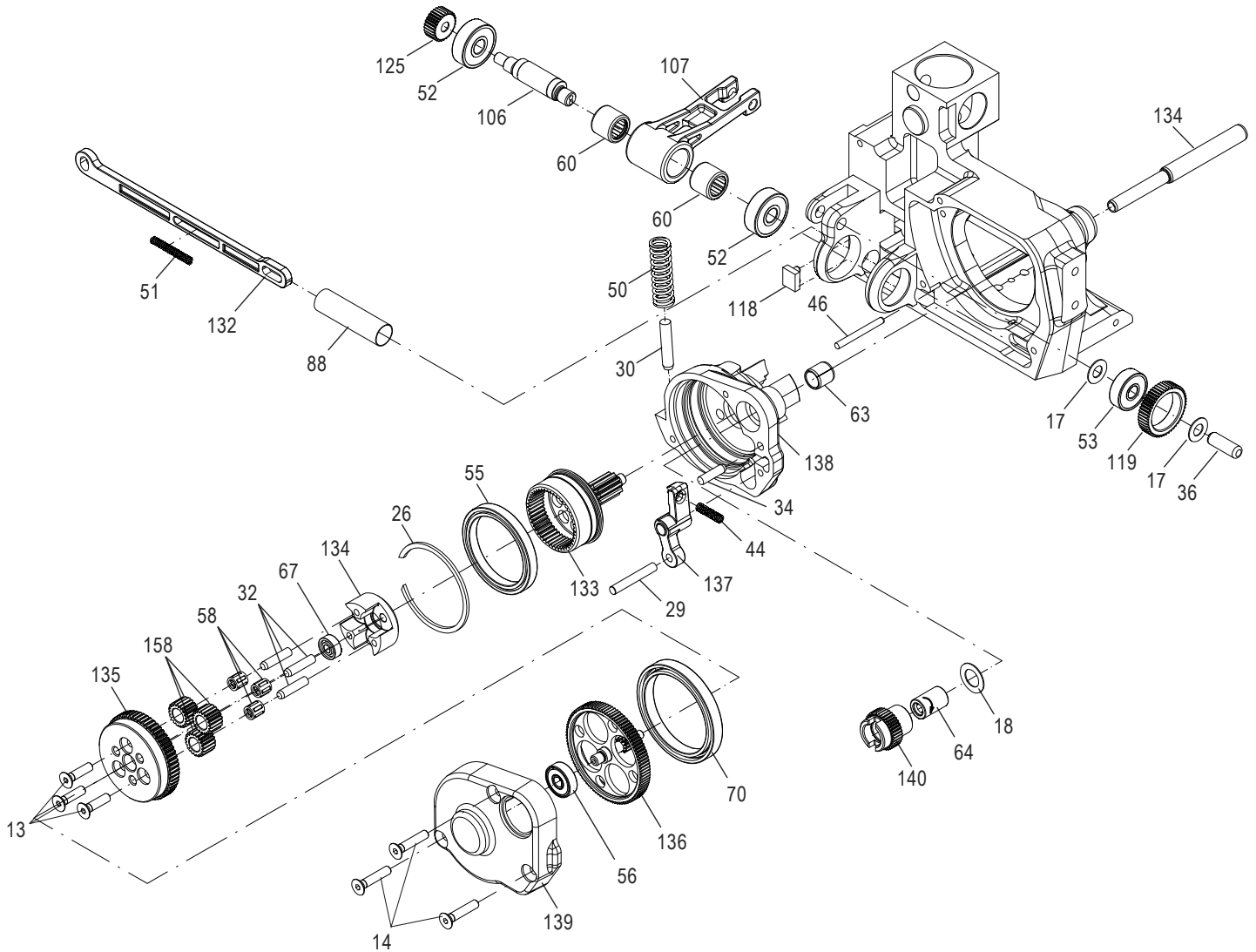
ULINE H-5908

800-295-5510

uline.mx

FROMM P328

**HERRAMIENTA COMBINADA
PARA UNIÓN SIN SELLO**



ULINE H-5908**FROMM P328****HERRAMIENTA COMBINADA
PARA UNIÓN SIN SELLO**

800-295-5510

uline.mx

#	DESCRIPCIÓN	CANT.	NO. DE PARTE DE ULINE	NO. DE PARTE DEL FABRICANTE
1	Tornillo de M4 x 16 mm	3	H-6028	N1.1196
2	Tornillo de M4 x 7.8 mm	6	H-6029	N1.1305
3	Tornillo Hexagonal de M4 x 8 mm	1	H-5908-1553	N1.1553
4	Tornillo de Cabeza Plana de M4 x 12 mm	2	H-7184-4Q	N1.1910
5	Tornillo de Cabeza Plana de M4 x 8 mm	2	H-5909-1911	N1.1911
6	Tornillo de Cabeza Plana de M4 x 60 mm	1	H-2615-137Q	N1.1927
7	Tornillo de Cabeza Plana de M4 x 16 mm	1	H-6030	N1.1928
8	Tornillo de Cabeza Plana de M4 x 50 mm	3	H-6031	N1.1934
9	Tornillo de Cabeza Plana de M4 x 40 mm	2	H-6032	N1.1943
10	Tornillo de M4 x 70 mm	1	H-5909-11966	N1.1966
11	Tornillo de M4 x 80 mm	1	H-5909-1972	N1.1972
12	Tornillo de Cabeza Plana de M4 x 10 mm	1	H-6033	N1.1973
13	Tornillo Avellanado de M4 x 16 mm	3	-----	N1.2188
14	Tornillo Avellanado de M4 x 20 mm	3	-----	N1.2189
15	Tornillo Avellanado de M4 x 10 mm	2	H-5908-SCREW	N1.2222
16	Rondana de 6 x 18 x 0.5 mm	1	-----	N1.6305
17	Rondana de 6 x 12 x 0.5 mm	3	-----	N1.6331
18	Rondana de 9 x 15 x 0.5 mm	1	-----	N1.6386
19	Rondana de Seguridad de M4	24	H-6034	N1.6504
20	Tornillo-PT de 3 x 40 mm	1	H-956-1/2SC	N1.7207
21	Tornillo-PT de 3 x 20 mm	8	H-6035	N1.7211
22	Tornillo-PT de 2.2 x 5 mm	1	-----	N1.7222
23	Anillo de Seguridad de 6 mm	5	H-2615-RNG	N2.1118
24	Anillo de Seguridad de 5 mm	5	H-2615-1121	N2.1121
25	Anillo de Resorte de SW6	1	H-2614-160	N2.1606
26	Anillo de Resorte de SB44	1	-----	N2.1610
27	Pin Paralelo 4 de M6 x 10 mm	1	-----	N2.2110
28	Pin Paralelo 4 de M6 x 18 mm	1	H-5908-2119	N2.2119
29	Pin Paralelo 4 de M6 x 40 mm	1	H-5909-29	N2.2124
30	Pin Paralelo 5 de M6 x 26 mm	1	-----	N2.2126
31	Pin Paralelo 4 de M6 x 28 mm	1	-----	N2.2142
32	Pin Paralelo 4 de H6 x 18 mm	3	-----	N2.2145
33	Pin Paralelo 3 de M6 x 10 mm	2	H-5909-33	N2.2147
34	Pin Paralelo 4 de M6 x 16 mm	1	-----	N2.2180
35	Pin Paralelo 3 de M6 x 6 mm	1	H-956-PPIN	N2.2187
36	Pin Paralelo 6 de H6 x 18 mm	1	-----	N2.2190
37	Pin Paralelo 3 de M6 x 32 mm	1	H-5908-37	N2.2193
38	Pin de Clavija de 4 x 15 mm	1	-----	N2.2443
39	Chaveta de 2 x 2 x 6 mm	1	-----	N2.3364
40	Tornillo con Cabeza de Martillo de 1.85 x 4.76 mm	2	-----	N2.4902

ULINE H-5908**FROMM P328****HERRAMIENTA COMBINADA
PARA UNIÓN SIN SELLO**

800-295-5510

uline.mx

#	DESCRIPCIÓN	CANT.	NO. DE PARTE DE ULINE	NO. DE PARTE DEL FABRICANTE
41	Resorte de Presión de 0.6 x 4.8 x 20/15.5 mm	2	H-5909-41Q	N2.5157
42	Resorte de Presión de 0.32 x 2.82 x 20.5 mm	2	H-5908-42	N2.5178
43	Resorte de Presión de 0.8 x 4.8 x 20/18.5 mm	1	H-5908-43	N2.5237
44	Resorte de Presión de 0.5 x 4 x 24/16.5 mm	1	H-5909-46	N2.5296
45	Pin de Clavija de 2 x 16 mm	1	H-11455	N21.2140
46	Pin Paralelo 3 de H6 x 30 mm	1	-----	N21.2144
47	Pin Paralelo 5 de H6 x 37.6 mm	3	-----	N21.2145
48	Resorte de Presión de 0.9 x 10 x 15/5.5 mm	1	H-7184-48Q	N21.5124
49	Resorte de Presión de 2.5 x 14.2 x 33.5/7.5 mm	1	-----	N21.5138
50	Resorte de Presión de 1.25 x 9.8 x 45/14.5 mm	1	H-7369	N21.5139
51	Resorte de Presión de 0.43 x 3.6 x 32.9/27.5 mm	1	H-5908-PS	N21.5219
52	Balero de 7 x 22 x 7 mm	2	H-5908-1134	N3.1134
53	Balero de 6 x 19 x 6 mm	1	H-5908-1159	N3.1159
54	Balero de 30 x 42 x 7 mm	2	H-956-BEAR	N3.1172
55	Balero de 35 x 44 x 5 mm	1	-----	N3.1178
56	Balero de 5 x 16 x 5 mm	2	H-5908-56	N3.1185
57	Esfera de 4 mm	6	H-6036	N3.1702
58	Balero de Agujas K de 4 x 7 x 7 mm TN	3	-----	N3.2105
59	Balero de Agujas K de 5 x 9 x 13 mm TN	3	H-5908-2107Q	N3.2107
60	Casquillo de Agujas de 10 x 14 x 12 mm	2	H-5909-2347	N3.2347
61	Casquillo de Agujas de 6 x 10 x 8 mm	1	-----	N3.2362
62	Balero Deslizable de 8 x 10 x 12 mm	1	H-6684	N3.3150
63	Balero Deslizable de 8 x 10 x 10 mm	1	-----	N3.3172
64	Buje de Giro con Aguja de 6 x 10 x 15 mm	2	H-6037	N3.4509
65	Buje de Giro de 6 x 10 x 12 mm	1	H-6038	N3.4520
66	Balero de 10 x 19 x 5 mm	2	H-2614-179	N31.1118
67	Balero de 4 x 11 x 4 mm	2	H-2614-161	N31.1120
68	Balero de 17 x 30 x 7 mm	1	H-5908-1151	N31.1151
69	Balero de 15 x 24 x 5 mm	1	H-5908-1163	N31.1163
70	Balero de 40 x 50 x 6 mm	1	-----	N31.1169
71	Balero Deslizable de 6 x 8 x 6 mm	1	-----	N31.3115
72	Cinturón Dentado de 9 mm	1	H-5909-3236Q	N4.3236
73	Etiqueta de "CE"	1	-----	N4.9159
74	Etiqueta Adhesiva de "Warning"	1	-----	N41.9127
75	Etiqueta Adhesiva de "WEEE"	1	-----	N43.9164
76	Etiqueta Adhesiva de "18 Volt"	1	-----	N43.9192
77	Etiqueta Adhesiva de "FROMM"	1	-----	N44.9104
78	Tipo de Placa de "P328"	1	-----	N44.9122
79	Cubierta	1	-----	N5.2702
80	Motor de la Marcha	1	H-6039	N51.1127
81	Parte de Inserción	1	H-2614-2194	N51.2194

ULINE H-5908**FROMM P328
HERRAMIENTA COMBINADA
PARA UNIÓN SIN SELLO**

800-295-5510

uline.mx

#	DESCRIPCIÓN	CANT.	NO. DE PARTE DE ULINE	NO. DE PARTE DEL FABRICANTE
82	Enchufe de Contacto	3	-----	N51.2199
83	Pin de Resorte	1	-----	N51.5477
84	Anillo O de 24 x 2 mm	2	H-5908-6224	N6.6224
85	Anillo O de 8 x 2 mm	1	H-5908-6232	N6.6232
86	Anillo O de 29.5 x 3 mm	2	H-5908-6220	N61.6220
87	Mordaza de Sujeción	1	-----	P30.1210
88	Tubo	1	H-5909-1124	P31.1124
89	Switch	1	-----	P32.0144
90	Piñón	1	H-2614-178	P32.0149
91	Cuerpo	1	-----	P32.0200
92	Soldadura Excéntrica	1	-----	P32.0202
93	Perno Resorte	1	-----	P32.0203
94	Engrane Dentado	1	-----	P32.0204
95	Rodillo Escalonado	1	-----	P32.0205
96	Palanca	1	-----	P32.0206
97	Cubierta de Engrane	1	-----	P32.0207
98	Engrane	1	-----	P32.0208
99	Engrane Dentado	1	-----	P32.0209
100	Engrane Dentado	1	-----	P32.0210
101	Engrane Dentado Cónico	1	-----	P32.0211
102	Engrane Dentado	1	-----	P32.0212
103	Motor	1	H-6040	P32.0213
104	Cubierta	1	-----	P32.0221
105	Tapa	1	H-5909-107Q	P32.0222
106	Soldadura Excéntrica	1	H-5908-1022	P32.1022
107	Switch	1	H-6044	P32.1024
108	Caja de Esferas	1	H-5909-110Q	P32.1027
109	Perno	1	H-6045	P32.1028
110	Pieza de Empuje	1	-----	P32.1029
111	Pin de Conducción	1	H-5909-113	P32.1032
112	Conductor	2	H-6046	P32.1035
113	Eje de Asa	1	H-7292	P32.1215
114	Empuje	1	H-5908-1251	P32.1251
115	Pinza de Soldadura	1	H-1728-1511	P32.1511
116	Manga de Centrado	1	H-5908-116	P32.1710
117	Botón de Giro	2	H-2614-TB	P32.2009
118	Guía	1	-----	P32.2012
119	Engrane Dentado	1	H-2615-GEAR	P32.2016
120	Cuerpo	1	H-5908-8101	P32.8101
121	Caja del Motor	1	H-6041	P32.8103
122	Inserto de Acero	1	H-5908-8106	P32.8106

ULINE H-5908

800-295-5510

uline.mx

FROMM P328

HERRAMIENTA COMBINADA PARA UNIÓN SIN SELLO

#	DESCRIPCIÓN	CANT.	NO. DE PARTE DE ULINE	NO. DE PARTE DEL FABRICANTE
123	Pinza de Tope de Soldadura	1	H-6047	P32.8107
124	Soporte	1	H-5908-124	P32.8108
125	Piñón	1	H-5908-8115	P32.8115
126	Resorte Deslizable	1	-----	P32.8116
127	Perno de Resorte	1	-----	P32.8117
128	Placa de Guía de Fleje	1	H-5908-8118	P32.8118
129	Imán	1	H-11456	P32.8120
130	Eje Excéntrico	1	H-11457	P32.8121
131	Polea de Cinturón Dentado	1	-----	P32.8122
132	Empuje	1	-----	P32.8125
133	Engrane Dentado	1	-----	P32.8126
134	Eje Planetario	1	-----	P32.8127
135	Engrane Dentado	1	-----	P32.8128
136	Engrane Dentado	1	-----	P32.8129
137	Palanca	1	H-5909-142	P32.8130
138	Cuerpo de Engrane	1	-----	P32.8131
139	Cubierta de Engranaje	1	-----	P32.8132
140	Engrane Dentado	1	-----	P32.8134
141	Engrane Dentado	1	-----	P32.8135
142	Cubierta	1	-----	P32.8136
143	Eje Rotatorio	1	-----	P32.8137
144	Eje de Engrane Cónico	1	H-5909-8138	P32.8138
145	Engrane Dentado	1	H-5908-8139	P32.8139
146	Retenedor	1	-----	P32.8140
147	Cubierta	1	-----	P32.8141
148	Palanca del Asa	1	H-6685	P32.8142
149	Cubierta	1	H-5908-8158	P32.8158
150	Tapa	1	H-6051	P32.8159
151	Cubierta	1	H-5908-8195	P32.8195
152	Engrane Dentado	1	-----	P33.0204
153	Botón de Giro	1	-----	P33.2115
154	Manguera Encogible	3	-----	P33.2127
155	Disco	1	H-5908-DISK	P32.2145
156	Pasador	1	-----	P33.2155
157	Empuje	1	-----	P35.0146
158	Rodillo del Eje	3	-----	P35.3104
159	Rodillo del Eje	3	H-5908-3201	P35.3201
160	Palanca de Balancín	1	H-1728-SLVR	P35.3220
161	Palanca de Balancín	1	H-2615-3221	P35.3221
162	Pieza de Empuje	1	H-5908-3223	P35.3223
163	Etiqueta Adhesiva de "Button Panel"	1	-----	N44.9160

ULINE H-5908**FROMM P328
HERRAMIENTA COMBINADA
PARA UNIÓN SIN SELLO**

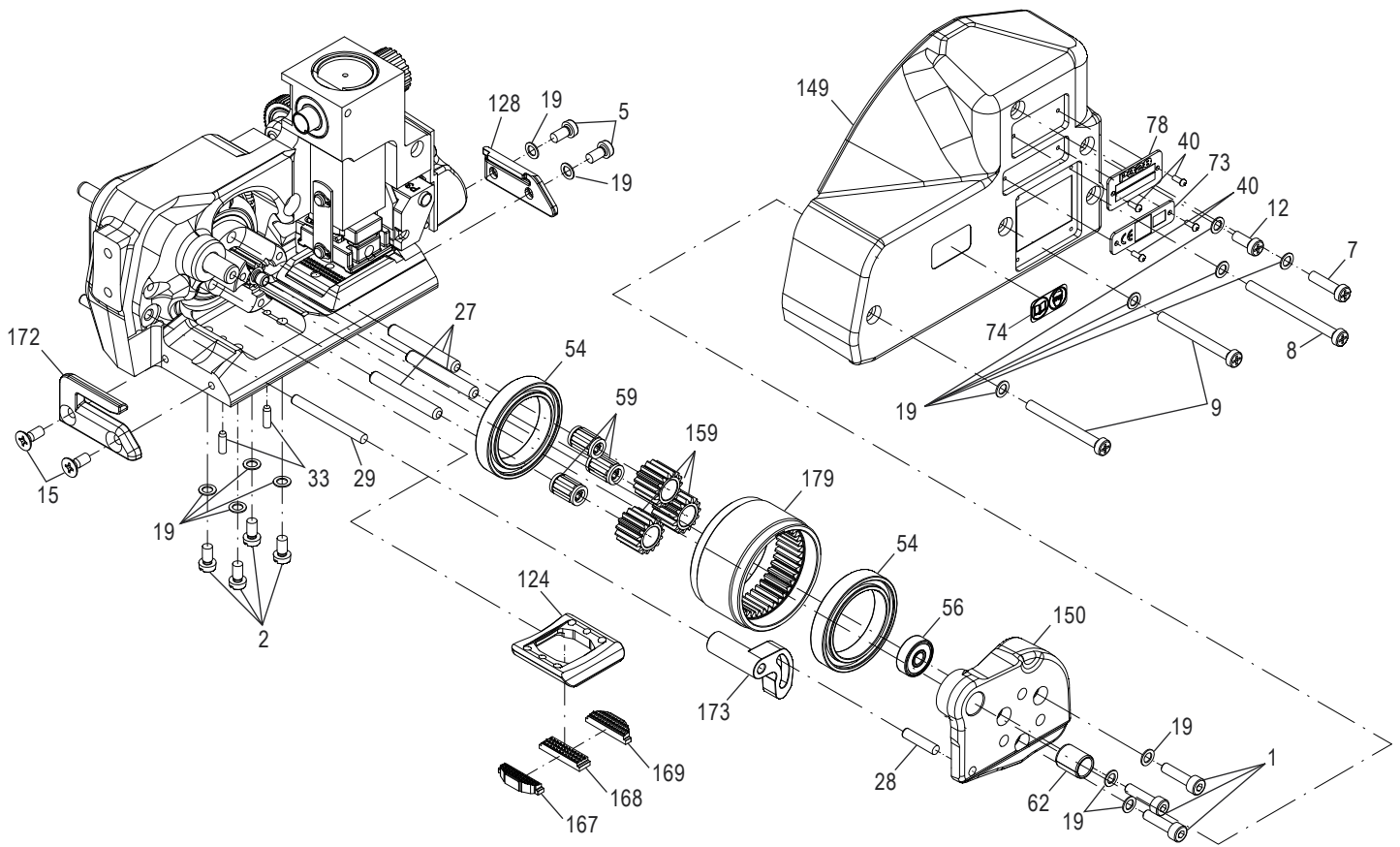
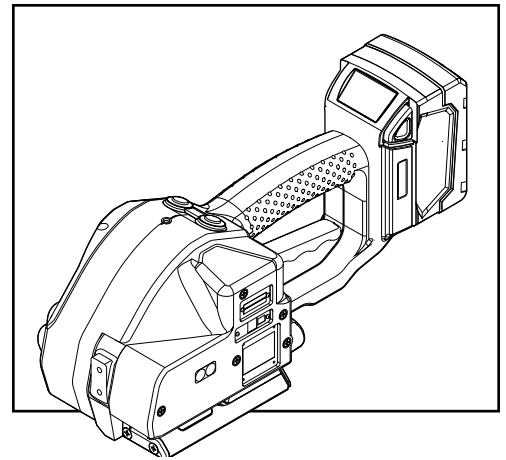
800-295-5510

uline.mx

#	DESCRIPCIÓN	CANT.	NO. DE PARTE DE ULINE	NO. DE PARTE DEL FABRICANTE
164	Modelo Base	1	-----	P32.0201
166	Caja del Motor	1	H-6042	P32.8105
167	Agarradera	1	H-5908-167	P32.8112
168	Agarradera	1	H-5908-168	P32.8113
169	Agarradera	1	H-5908-169	P32.8114
170	Tablero de Circuitos	1	H-5908-8148Q	P32.8148
171	Switch de Contacto	1	H-6043	P32.8150
172	Tope de Fleje	1	H-5908-8163	P32.8163
173	Guía de Fleje	1	-----	P32.8173
174	Caja Guía	1	H-5908-8179	P32.8179
175	Pin Guía	1	H-5908-175	P32.8183
176	Pin Guía	1	H-5908-176	P32.8191
177	Cortador	1	H-5908-8197	P32.8197
178	Parte de Inserción	1	H-5908-8198	P32.8198
179	Rueda de Tensión	1	H-5908-3202	P35.3202
	Tablero de Circuitos con Conector (No Se Muestra)	1	H-5908-0215	P32.0215
	Soporte de Suspensión (No Se Muestra)	1	H-5908-0223	P32.0223

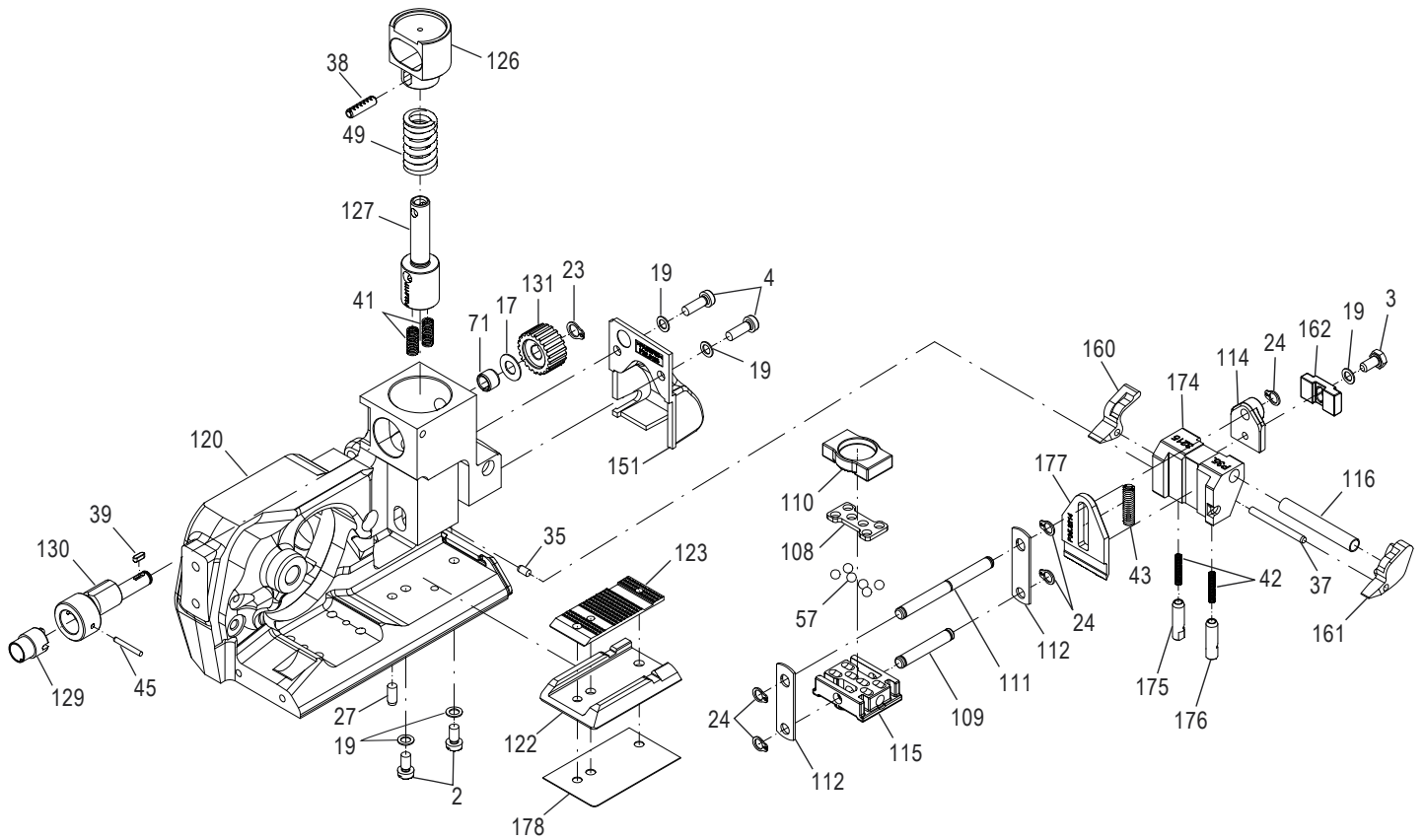
ULINE H-5908
FROMM P328 – OUTIL
MULTIFONCTIONNEL POUR
CERCLAGE SANS JOINTS

1 800 295-5510
uline.ca



ULINE H-5908
FROMM P328 – OUTIL
MULTIFUNCTIONNEL POUR
CERCLAGE SANS JOINTS

1 800 295-5510
uline.ca

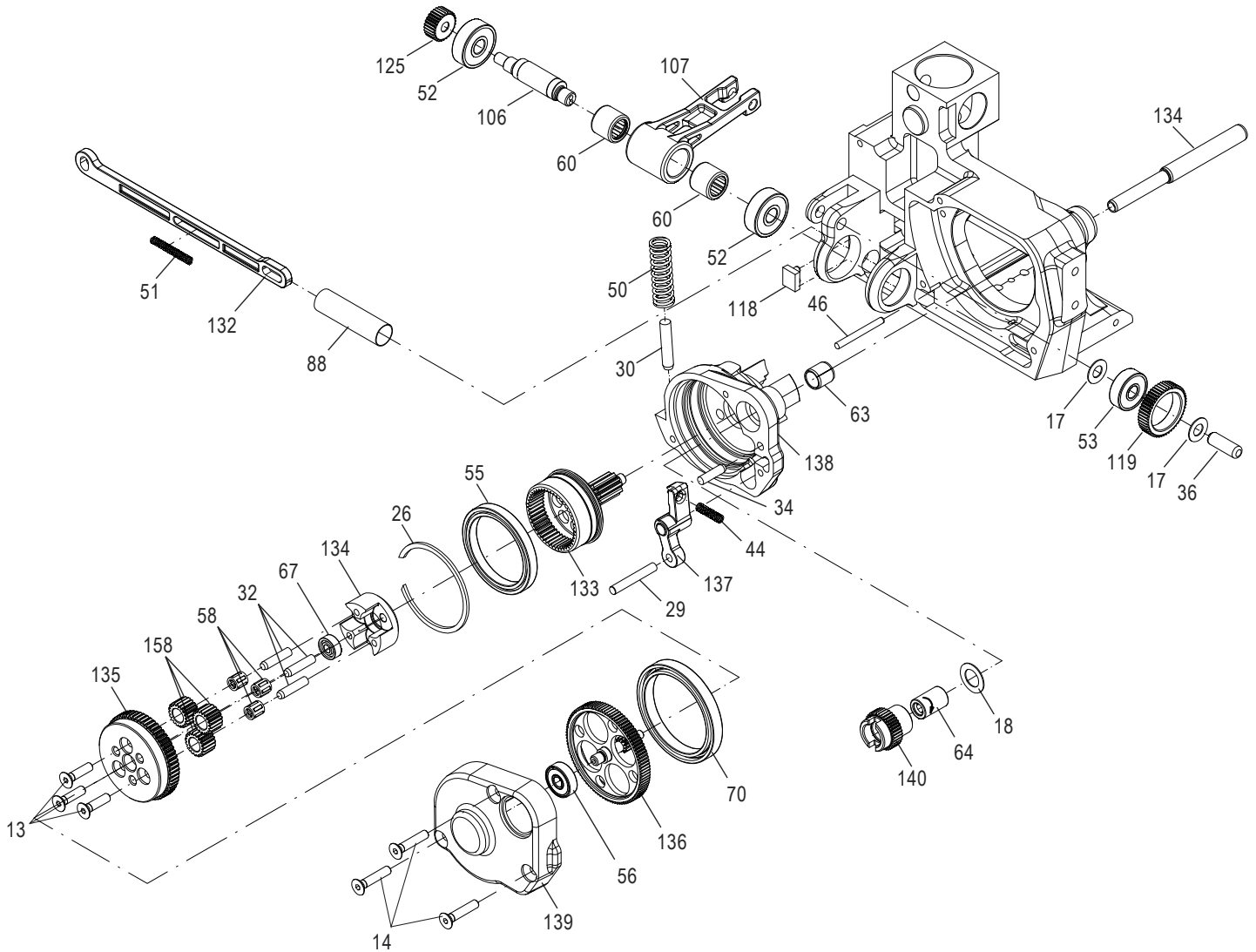


ULINE H-5908

**FROMM P328 – OUTIL
MULTIFONCTIONNEL POUR
CERCLAGE SANS JOINTS**

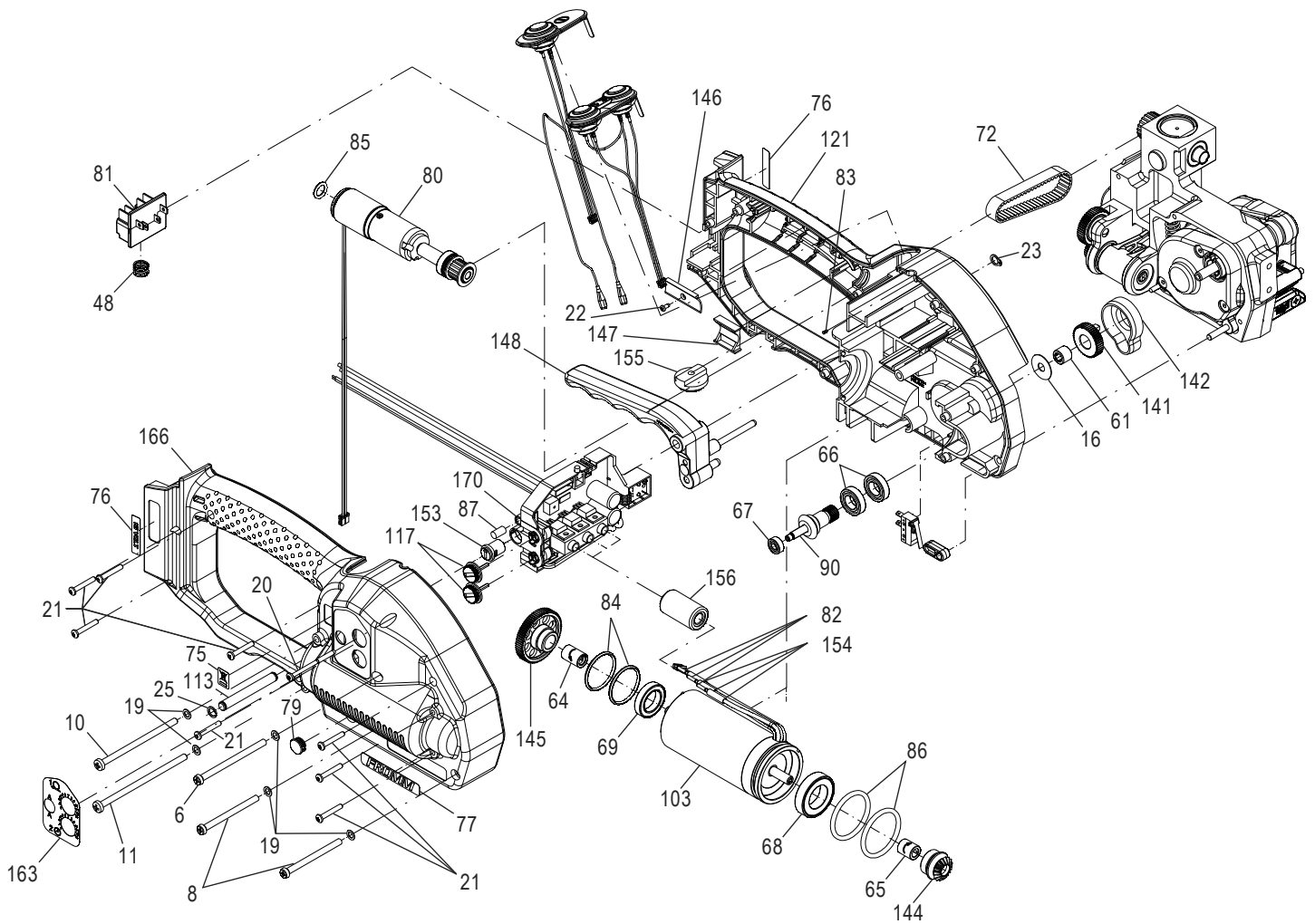
1 800 295-5510

uline.ca



ULINE H-5908
FROMM P328 – OUTIL
MULTIFONCTIONNEL POUR
CERCLAGE SANS JOINTS

1 800 295-5510
uline.ca



**FROMM P328 – OUTIL
MULTIFONCTIONNEL POUR
CERCLAGE SANS JOINTS**

#	DESCRIPTION	QTÉ	RÉF. ULINE	RÉF. DU FABRICANT
1	Vis de M4 x 16 mm	3	H-6028	N1.1196
2	Vis de M4 x 7,8 mm	6	H-6029	N1.1305
3	Vis hexagonale de M4 x 8 mm	1	H-5908-1553	N1.1553
4	Vis à tête plate de M4 x 12 mm	2	H-7184-4Q	N1.1910
5	Vis à tête plate de M4 x 8 mm	2	H-5909-1911	N1.1911
6	Vis à tête plate de M4 x 60 mm	1	H-2615-137Q	N1.1927
7	Vis à tête plate de M4 x 16 mm	1	H-6030	N1.1928
8	Vis à tête plate de M4 x 50 mm	3	H-6031	N1.1934
9	Vis à tête plate de M4 x 40 mm	2	H-6032	N1.1943
10	Vis de M4 x 70 mm	1	H-5909-11966	N1.1966
11	Vis de M4 x 80 mm	1	H-5909-1972	N1.1972
12	Vis à tête plate de M4 x 10 mm	1	H-6033	N1.1973
13	Vis à tête creuse de M4 x 16 mm	3	-----	N1.2188
14	Vis à tête creuse de M4 x 20 mm	3	-----	N1.2189
15	Vis à tête creuse de M4 x 10 mm	2	H-5908-SCREW	N1.2222
16	Rondelle d'espacement de 6 x 18 x 0,5 mm	1	-----	N1.6305
17	Rondelle d'espacement de 6 x 12 x 0,5 mm	3	-----	N1.6331
18	Rondelle d'espacement de 9 x 15 x 0,5 mm	1	-----	N1.6386
19	Rondelle de sécurité de M4	24	H-6034	N1.6504
20	Vis PT de 3 x 40 mm	1	H-956-1/2SC	N1.7207
21	Vis PT de 3 x 20 mm	8	H-6035	N1.7211
22	Vis PT de 2,2 x 5 mm	1	-----	N1.7222
23	Bague de sécurité de 6 mm	2	H-2615-RNG	N2.1118
24	Bague de sécurité de 5 mm	5	H-2615-1121	N2.1121
25	Bague à ressort de SW6	1	H-2614-16Q	N2.1606
26	Bague à ressort de SB44	1	-----	N2.1610
27	Broche parallèle 4 de M6 x 10 mm	1	-----	N2.2110
28	Broche parallèle 4 de M6 x 18 mm	1	H-5908-2119	N2.2119
29	Broche parallèle 4 de M6 x 40 mm	1	H-5909-29	N2.2124
30	Broche parallèle 5 de M6 x 26 mm	1	-----	N2.2126
31	Broche parallèle 4 de M6 x 28 mm	1	-----	N2.2142
32	Broche parallèle 4 de H6 x 18 mm	3	-----	N2.2145
33	Broche parallèle 3 de M6 x 10 mm	2	H-5909-33	N2.2147
34	Broche parallèle 4 de M6 x 16 mm	1	-----	N2.2180
35	Broche parallèle 3 de M6 x 6 mm	1	H-956-PPIN	N2.2187
36	Broche parallèle 6 de H6 x 18 mm	1	-----	N2.2190
37	Broche parallèle 3 de M6 x 32 mm	1	H-5908-37	N2.2193
38	Goupille cylindrique de 4 x 15 mm	1	-----	N2.2443
39	Clavette de 2 x 2 x 6 mm	1	-----	N2.3364
40	Boulon à tête rectangulaire de 1,85 x 4,76 mm	2	-----	N2.4902

**FROMM P328 – OUTIL
MULTIFONCTIONNEL POUR
CERCLAGE SANS JOINTS**

#	DESCRIPTION	QTÉ	RÉF. ULINE	RÉF. DU FABRICANT
41	Ressort de pression de 0,6 x 4,8 x 20/15,5 mm	2	H-5909-41Q	N2.5157
42	Ressort de pression de 0,32 x 2,82 x 20,5 mm	2	H-5908-42	N2.5178
43	Ressort de pression de 0,8 x 4,8 x 20/18,5 mm	1	H-5908-43	N2.5237
44	Ressort de pression de 0,5 x 4 x 24/16,5 mm	1	H-5909-46	N2.5296
45	Goupille cylindrique de 2 x 16 mm	1	H-11455	N21.2140
46	Broche parallèle 3 de H6 x 30 mm	1	-----	N21.2144
47	Broche parallèle 5 de H6 x 37,6 mm	3	-----	N21.2145
48	Ressort de pression de 0,9 x 10 x 15/5,5 mm	1	H-7184-48Q	N21.5124
49	Ressort de pression de 2,5 x 14,2 x 33,5/7,5 mm	1	-----	N21.5138
50	Ressort de pression de 1,25 x 9,8 x 45/14,5 mm	1	H-7369	N21.5139
51	Ressort de pression de 0,43 x 3,6 x 32,9/27,5 mm	1	H-5908-PS	N21.5219
52	Roulement à bille de 7 x 22 x 7 mm	2	H-5908-1134	N3.1134
53	Roulement à bille de 6 x 19 x 6 mm	1	H-5908-1159	N3.1159
54	Roulement à bille de 30 x 42 x 7 mm	2	H-956-BEAR	N3.1172
55	Roulement à bille de 35 x 44 x 5 mm	1	-----	N3.1178
56	Roulement à bille de 5 x 16 x 5 mm	2	H-5908-56	N3.1185
57	Bille de 4 mm	6	H-6036	N3.1702
58	Cage à aiguilles K de 4 x 7 x 7 mm TN	3	-----	N3.2105
59	Cage à aiguilles K de 5 x 9 x 13 mm TN	3	H-5908-2107Q	N3.2107
60	Douille d'aiguille de 10 x 14 x 12 mm	2	H-5909-2347	N3.2347
61	Douille d'aiguille de 6 x 10 x 8 mm	1	-----	N3.2362
62	Palier lisse de 8 x 10 x 12 mm	1	H-6684	N3.3150
63	Palier lisse de 8 x 10 x 10 mm	1	-----	N3.3172
64	Aiguille de roue libre de 6 x 10 x 15 mm	2	H-6037	N3.4509
65	Roue libre de 6 x 10 x 12 mm	1	H-6038	N3.4520
66	Roulement à bille de 10 x 19 x 5 mm	2	H-2614-179	N31.1118
67	Roulement à bille de 4 x 11 x 4 mm	2	H-2614-161	N31.1120
68	Roulement à bille de 17 x 30 x 7 mm	1	H-5908-1151	N31.1151
69	Roulement à bille de 15 x 24 x 5 mm	1	H-5908-1163	N31.1163
70	Roulement à bille de 40 x 50 x 6 mm	1	-----	N31.1169
71	Palier lisse de 6 x 8 x 6 mm	1	-----	N31.3115
72	Courroie crantée de 9 mm	1	H-5909-3236Q	N4.3236
73	Étiquette de " CE "	1	-----	N4.9159
74	Étiquette adhésive de " Warnings "	1	-----	N41.9127
75	Étiquette adhésive de " WEEE "	1	-----	N43.9164
76	Étiquette adhésive de " 18 Volt "	1	-----	N43.9192
77	Étiquette adhésive de " FROMM "	1	-----	N44.9104
78	Plaque type de " P328 "	1	-----	N44.9122
79	Couvercle	1	-----	N5.2702
80	Moteur à engrenages	1	H-6039	N51.1127
81	Pièce d'insertion	1	H-2614-2194	N51.2194

**FROMM P328 – OUTIL
MULTIFONCTIONNEL POUR
CERCLAGE SANS JOINTS**

#	DESCRIPTION	QTÉ	RÉF. ULINE	RÉF. DU FABRICANT
82	Fiche de contact	3	-----	N51.2199
83	Cheville de ressort	1	-----	N51.5477
84	Joint torique de 24 x 2 mm	2	H-5908-6224	N6.6224
85	Joint torique de 8 x 2 mm	1	H-5908-6232	N6.6232
86	Joint torique de 29,5 x 3 mm	2	H-5908-6220	N61.6220
87	Serre-tôle	1	-----	P30.1210
88	Tube	1	H-5909-1124	P31.1124
89	Bascule	1	-----	P32.0144
90	Pignon	1	H-2614-178	P32.0149
91	Corps	1	-----	P32.0200
92	Excentrique à soudage	1	-----	P32.0202
93	Boulon à ressort	1	-----	P32.0203
94	Roue d'engrenage	1	-----	P32.0204
95	Galet	1	-----	P32.0205
96	Levier	1	-----	P32.0206
97	Corps d'engrenage	1	-----	P32.0207
98	Engrenage	1	-----	P32.0208
99	Roue d'engrenage	1	-----	P32.0209
100	Roue d'engrenage	1	-----	P32.0210
101	Roue d'engrenage conique	1	-----	P32.0211
102	Roue d'engrenage	1	-----	P32.0212
103	Moteur	1	H-6040	P32.0213
104	Couvercle	1	-----	P32.0221
105	Couvercle d'extrémité	1	H-5909-107Q	P32.0222
106	Excentrique à soudage	1	H-5908-1022	P32.1022
107	Bascule	1	H-6044	P32.1024
108	Cage à billes	1	H-5909-110Q	P32.1027
109	Boulon	1	H-6045	P32.1028
110	Butée	1	-----	P32.1029
111	Goupille d'entraînement	1	H-5909-113	P32.1032
112	Lame de poussée	2	H-6046	P32.1035
113	Arbre de poignée	1	H-7292	P32.1215
114	Poussoir	1	H-5908-1251	P32.1251
115	Préhenseur à soudage	1	H-1728-1511	P32.1511
116	Manchon de centrage	1	H-5908-116	P32.1710
117	Bouton rotatif	2	H-2614-TB	P32.2009
118	Guide	1	-----	P32.2012
119	Roue d'engrenage	1	H-2615-GEAR	P32.2016
120	Corps	1	H-5908-8101	P32.8101
121	Boîtier du moteur	1	H-6041	P32.8103
122	Insertion métallique	1	H-5908-8106	P32.8106

**FROMM P328 – OUTIL
MULTIFONCTIONNEL POUR
CERCLAGE SANS JOINTS**

#	DESCRIPTION	QTÉ	RÉF. ULINE	RÉF. DU FABRICANT
123	Préhenseur à soudage	1	H-6047	P32.8107
124	Support	1	H-5908-124	P32.8108
125	Pignon	1	H-5908-8115	P32.8115
126	Ressort lisse	1	-----	P32.8116
127	Boulon à ressort	1	-----	P32.8117
128	Plaque de guide de sangle	1	H-5908-8118	P32.8118
129	Aimant	1	H-11456	P32.8120
130	Arbre excentrique	1	H-11457	P32.8121
131	Poulie à courroie crantée	1	-----	P32.8122
132	Poussoir	1	-----	P32.8125
133	Roue d'engrenage	1	-----	P32.8126
134	Arbre planétaire	1	-----	P32.8127
135	Roue d'engrenage	1	-----	P32.8128
136	Roue d'engrenage	1	-----	P32.8129
137	Levier	1	H-5909-142	P32.8130
138	Corps d'engrenage	1	-----	P32.8131
139	Couvercle d'engrenage	1	-----	P32.8132
140	Roue d'engrenage	1	-----	P32.8134
141	Roue d'engrenage	1	-----	P32.8135
142	Boîtier	1	-----	P32.8136
143	Arbre pivotant	1	-----	P32.8137
144	Arbre d'engrenage conique	1	H-5909-8138	P32.8138
145	Roue d'engrenage	1	H-5908-8139	P32.8139
146	Anneau de retenue	1	-----	P32.8140
147	Couvercle	1	-----	P32.8141
148	Levier de poignée	1	H-6685	P32.8142
149	Couvercle	1	H-5908-8158	P32.8158
150	Couvercle d'extrémité	1	H-6051	P32.8159
151	Couvercle	1	H-5908-8195	P32.8195
152	Roue d'engrenage	1	-----	P33.0204
153	Bouton rotatif	1	-----	P33.2115
154	Tuyau rétractable	3	-----	P33.2127
155	Disque	1	H-5908-DISK	P32.2145
156	Douille	1	-----	P33.2155
157	Poussoir	1	-----	P35.0146
158	Galet d'engrenage	3	-----	P35.3104
159	Galet d'engrenage	3	H-5908-3201	P35.3201
160	Levier à bascule	1	H-1728-SLVR	P35.3220
161	Levier à bascule	1	H-2615-3221	P35.3221
162	Butée	1	H-5908-3223	P35.3223
163	Étiquette adhésive de " Button Panel "	1	-----	N44.9160

ULINE H-5908**FROMM P328 – OUTIL
MULTIFONCTIONNEL POUR
CERCLAGE SANS JOINTS**

1 800 295-5510

uline.ca

#	DESCRIPTION	QTÉ	RÉF. ULINE	RÉF. DU FABRICANT
164	Base standard	1	-----	P32.0201
166	Boîtier du moteur	1	H-6042	P32.8105
167	Préhenseur	1	H-5908-167	P32.8112
168	Préhenseur	1	H-5908-168	P32.8113
169	Préhenseur	1	H-5908-169	P32.8114
170	Carte de circuits imprimés	1	H-5908-8148Q	P32.8148
171	Interrupteur tactile	1	H-6043	P32.8150
172	Arrêt de courroie	1	H-5908-8163	P32.8163
173	Guide de courroie	1	-----	P32.8173
174	Boîtier guide	1	H-5908-8179	P32.8179
175	Tige de guidage	1	H-5908-175	P32.8183
176	Tige de guidage	1	H-5908-176	P32.8191
177	Outil de coupe	1	H-5908-8197	P32.8197
178	Pièce d'insertion	1	H-5908-8198	P32.8198
179	Roue de tension	1	H-5908-3202	P35.3202
	Carte de circuits imprimés avec connecteur (non illustré)	1	H-5908-0215	P32.0215
	Support de suspension (non illustré)	1	H-5908-0223	P32.0223