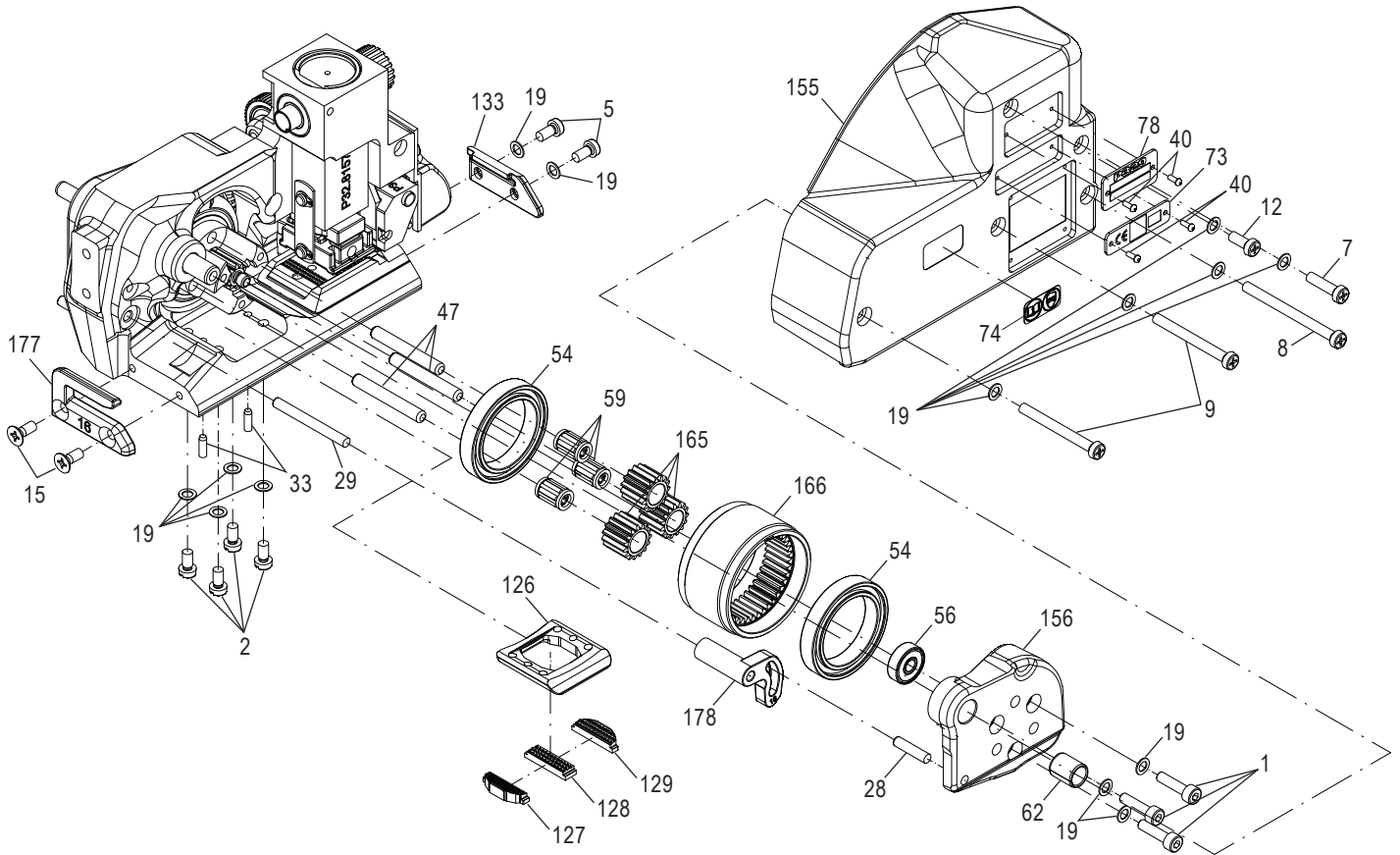
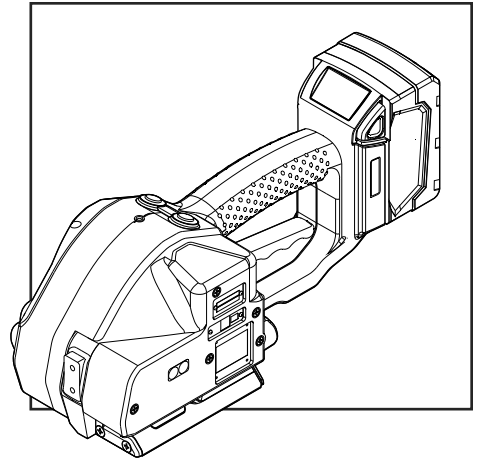


# ULINE H-7184

## FROMM P329 SEALLESS COMBO STRAPPING TOOL

1-800-295-5510  
uline.com

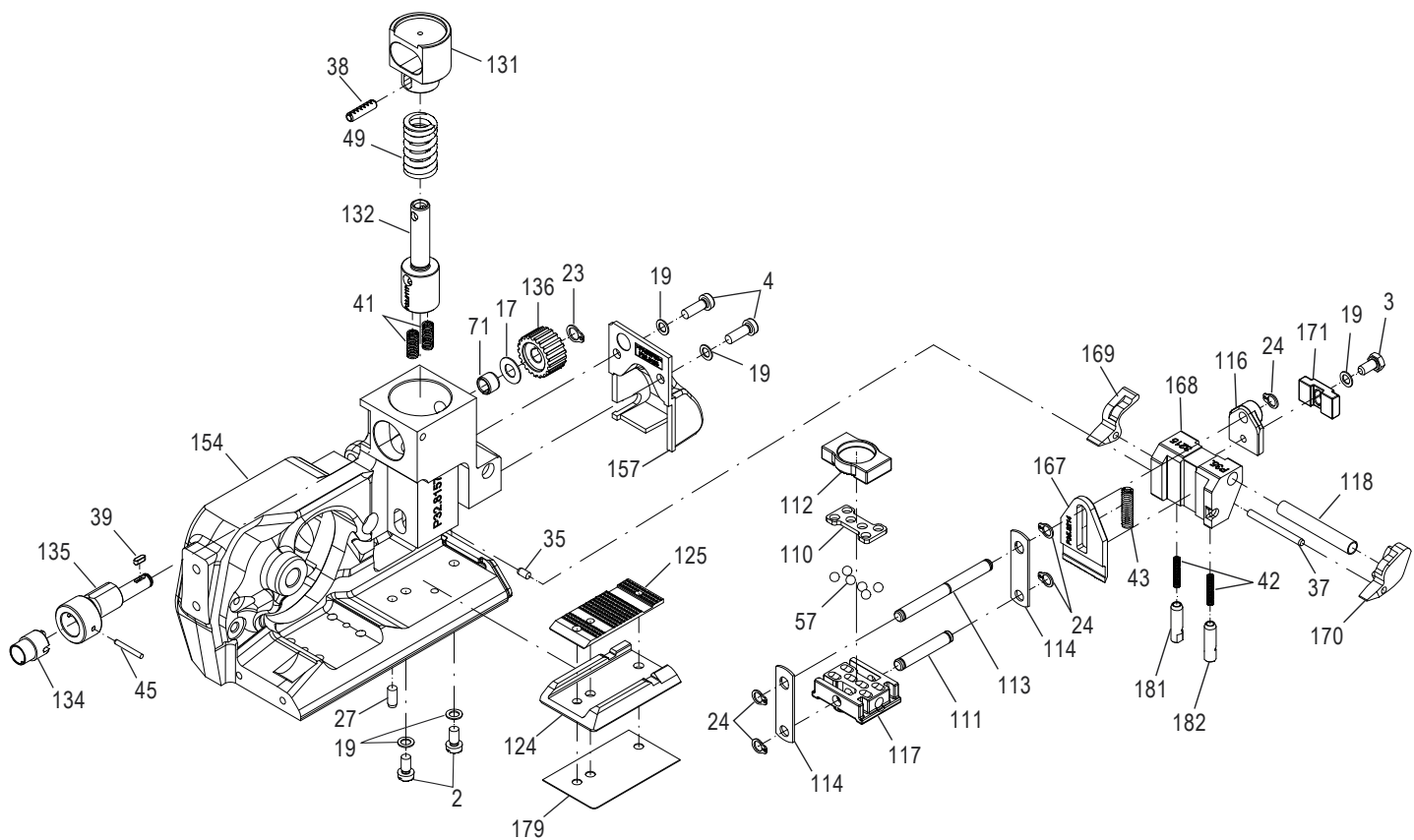
Para Español, vea páginas 10-18.  
Pour le français, consulter les pages 19-27.



# ULINE H-7184

## FROMM P329 SEALLESS COMBO STRAPPING TOOL

1-800-295-5510  
uline.com

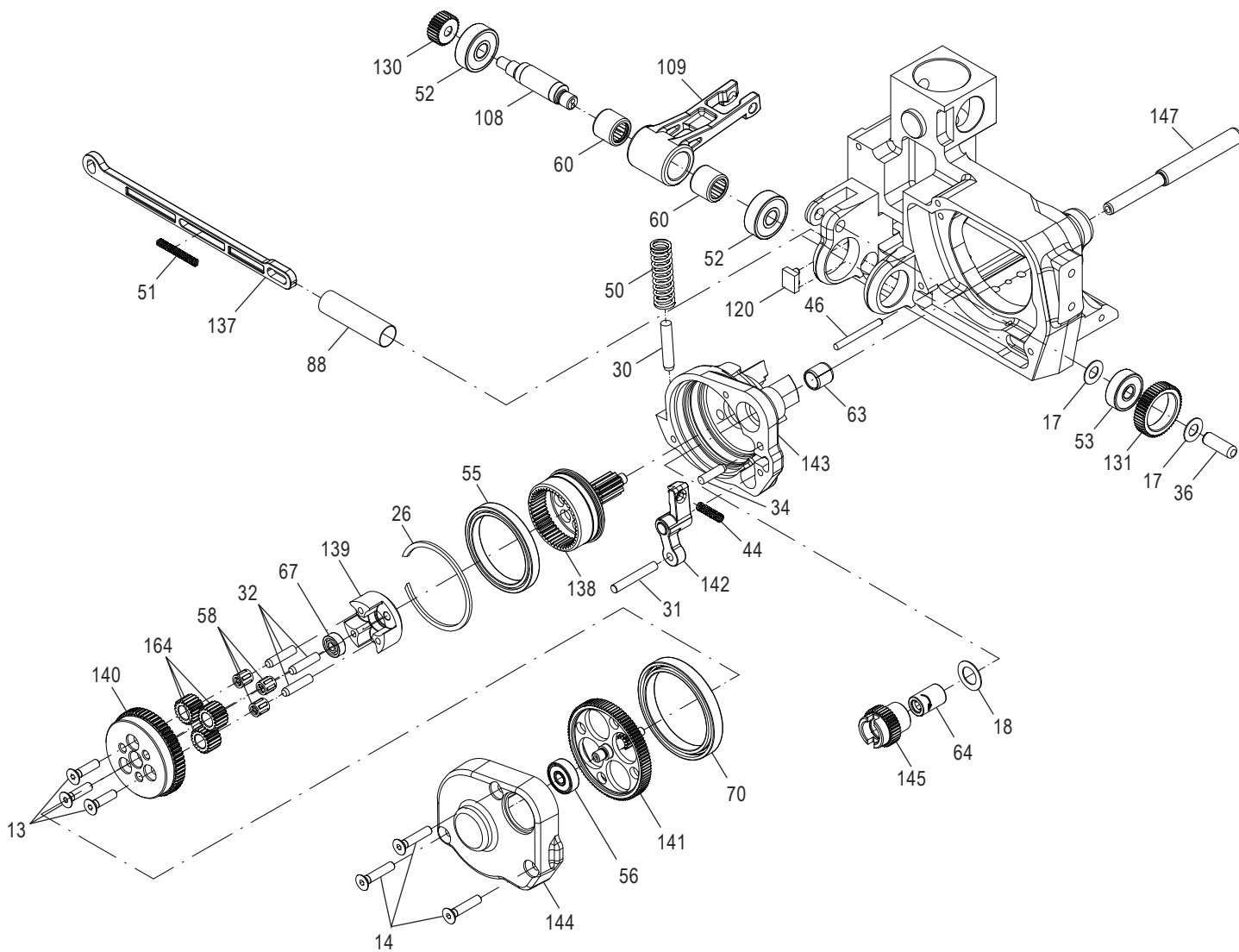


# ULINE H-7184

## FROMM P329 SEALLESS COMBO STRAPPING TOOL

1-800-295-5510

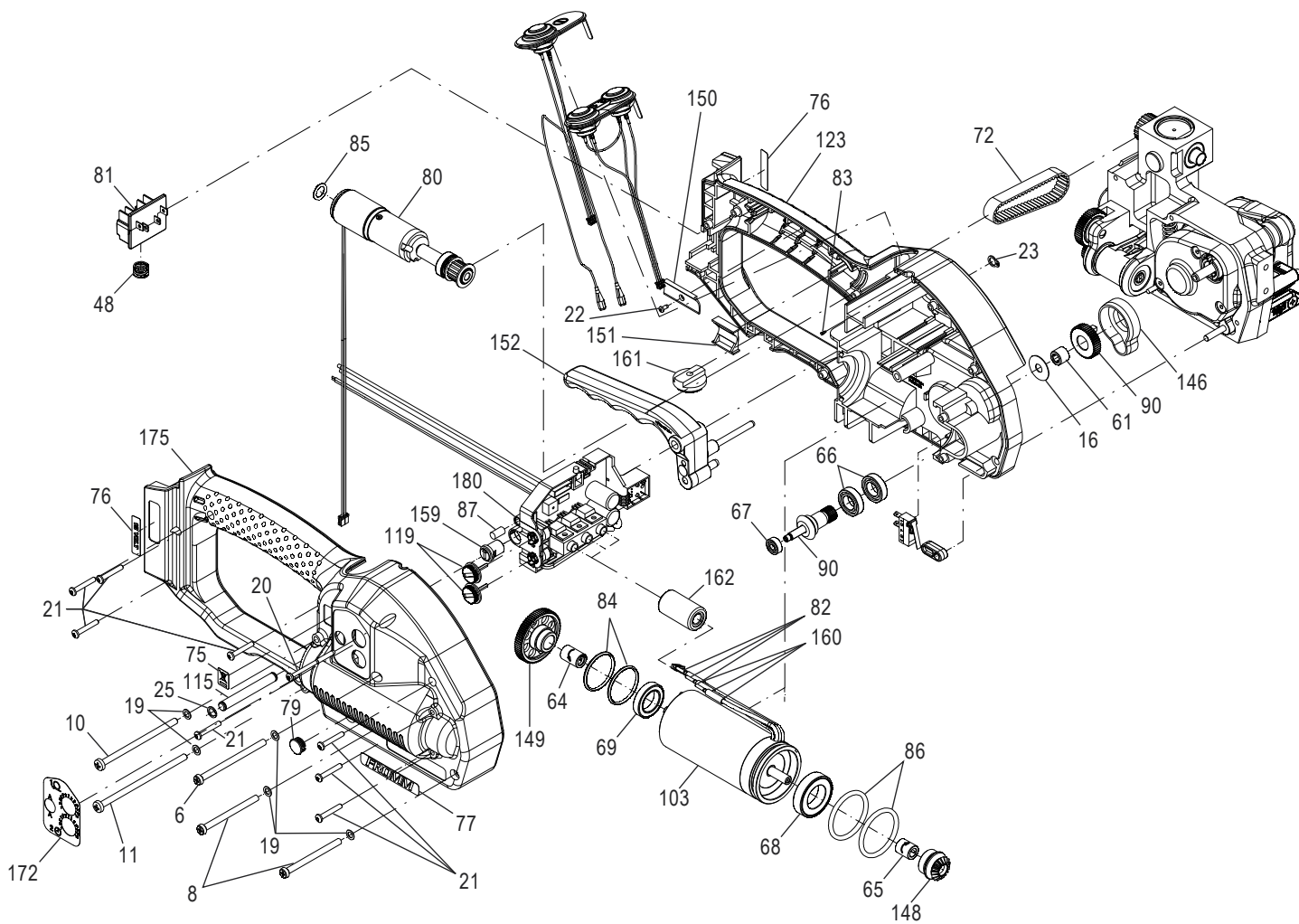
uline.com



# ULINE H-7184

## FROMM P329 SEALLESS COMBO STRAPPING TOOL

1-800-295-5510  
uline.com



**ULINE** H-7184  
**FROMM P329 SEALLESS  
 COMBO STRAPPING TOOL**

1-800-295-5510  
 uline.com

#	DESCRIPTION	QTY.	ULINE PART NO.	MFG. PART NO.
1	Screw M4 x 16 mm	3	<a href="#">H-6028</a>	N1.1196
2	Screw M4 x 7.8 mm	6	<a href="#">H-6029</a>	N1.1305
3	Hexagon Screw M4 x 8 mm	1	<a href="#">H-5908-1553</a>	N1.1553
4	Flat Head Screw M4 x 12 mm	2	<a href="#">H-7184-4Q</a>	N1.1910
5	Flat Head Screw M4 x 8 mm	2	<a href="#">H-5909-1911</a>	N1.1911
6	Flat Head Screw M4 x 60 mm	1	<a href="#">H-2615-137Q</a>	N1.1927
7	Flat Head Screw M4 x 16 mm	1	<a href="#">H-6030</a>	N1.1928
8	Flat Head Screw M4 x 50 mm	3	<a href="#">H-6031</a>	N1.1934
9	Flat Head Screw M4 x 40 mm	2	<a href="#">H-6032</a>	N1.1943
10	Screw M4 x 70 mm	1	<a href="#">H-5909-11966</a>	N1.1966
11	Screw M4 x 80 mm	1	<a href="#">H-5909-1972</a>	N1.1972
12	Flat Head Screw M4 x 10 mm	1	<a href="#">H-6033</a>	N1.1973
13	Countersunk Screw M4 x 16 mm	3	-----	N1.2188
14	Countersunk Screw M4 x 20 mm	3	-----	N1.2189
15	Countersunk Screw M4 x 10 mm	2	<a href="#">H-5908-SCREW</a>	N1.2222
16	Spacer Washer 6 x 18 x 0.5 mm	1	-----	N1.6305
17	Spacer Washer 6 x 12 x 0.5 mm	3	-----	N1.6331
18	Spacer Washer 9 x 15 x 0.5 mm	1	-----	N1.6386
19	Safety Washer M4	24	<a href="#">H-6034</a>	N1.6504
20	PT-Screw 3 x 40 mm	1	<a href="#">H-956-1/2SC</a>	N1.7207
21	PT-Screw 3 x 20 mm	8	<a href="#">H-6035</a>	N1.7211
22	PT-Screw 2.2 x 5 mm	1	-----	N1.7222
23	Security Ring 6	2	<a href="#">H-2615-RNG</a>	N2.1118
24	Security Ring 5	4	<a href="#">H-2615-1121</a>	N2.1121
25	Spring Ring SW6	1	<a href="#">H-2614-160</a>	N2.1606
26	Spring Ring SB44	1	-----	N2.1610
27	Parallel Pin 4 M6 x 10 mm	1	-----	N2.2110
28	Parallel Pin 4 M6 x 18 mm	1	<a href="#">H-5908-2119</a>	N2.2119
29	Parallel Pin 4 M6 x 40 mm	1	<a href="#">H-5909-2124</a>	N2.2124
30	Parallel Pin 5 M6 x 26 mm	1	-----	N2.2126
31	Parallel Pin 4 M6 x 28 mm	1	-----	N2.2142
32	Parallel Pin 4 H6 x 18 mm	3	-----	N2.2145
33	Parallel Pin 3 M6 x 10 mm	2	<a href="#">H-5909-33</a>	N2.2147
34	Parallel Pin 4 M6 x 16 mm	1	-----	N2.2180
35	Parallel Pin 3 M6 x 6 mm	1	<a href="#">H-956-PPIN</a>	N2.2187
36	Parallel Pin 6 H6 x 18 mm	1	-----	N2.2190
37	Parallel Pin 3 M6 x 32 mm	1	<a href="#">H-5908-37</a>	N2.2193
38	Dowel Pin 4 x 15 mm	1	-----	N2.2443
39	Feather Key 2 x 2 x 6	1	-----	N2.3364
40	Hammer Head Bolt 1.85 x 4.76	2	-----	N2.4902

**ULINE** H-7184  
**FROMM P329 SEALLESS  
 COMBO STRAPPING TOOL**

1-800-295-5510  
 uline.com

#	DESCRIPTION	QTY.	ULINE PART NO.	MFG. PART NO.
41	Pressure Spring 0.6 x 4.8 x 20/15.5	2	-----	N2.5157
42	Pressure Spring 0.32 x 2.82 x 20.5/20.5	2	<a href="#">H-5908-42</a>	N2.5178
43	Pressure Spring 0.8 x 4.8 x 20/18.5	1	<a href="#">H-5908-43</a>	N2.5237
44	Pressure Spring 0.5 x 4 x 24/16.5	1	<a href="#">H-5909-46</a>	N2.5296
45	Dowel Pin 2 x 16	1	<a href="#">H-11455</a>	N21.2140
46	Parallel Pin 3 h6 x 30	1	-----	N21.2144
47	Parallel Pin 5 h6 x 37.6	3	-----	N21.2145
48	Pressure Spring 0.9 x 10 x 15/5.5	1	<a href="#">H-7184-48Q</a>	N21.5124
49	Pressure Spring 2.5 x 14.2 x 33.5/7.5	1	-----	N21.5138
50	Pressure Spring 1.25 x 9.8 x 45/14.5	1	<a href="#">H-7369</a>	N21.5139
51	Pressure Spring 0.43 x 3.6 x 32.9/27.5	1	<a href="#">H-5908-PS</a>	N21.5219
52	Ball Bearing 7 x 22 x 7 mm	2	<a href="#">H-5908-1134</a>	N3.1134
53	Ball Bearing 6 x 19 x 6 mm	1	<a href="#">H-5908-1159</a>	N3.1159
54	Ball Bearing 30 x 42 x 7 mm	2	<a href="#">H-956-BEAR</a>	N3.1172
55	Ball Bearing 35 x 44 x 5 mm	1	-----	N3.1178
56	Ball Bearing 5 x 16 x 5 mm	2	<a href="#">H-5908-56</a>	N3.1185
57	Ball 4 mm	6	<a href="#">H-6036</a>	N3.1702
58	Needle Cage K 4 x 7 x 7 TN	3	-----	N3.2105
59	Needle Cage K 5 x 9 x 13 TN	3	<a href="#">H-5908-2107Q</a>	N3.2107
60	Needle Bushing 10 x 14 x 12 mm	2	<a href="#">H-5909-2347</a>	N3.2347
61	Needle Bushing 6 x 10 x 8 mm	1	-----	N3.2362
62	Slide-Bearing 8 x 10 x 12 mm	1	<a href="#">H-6684</a>	N3.3150
63	Slide-Bearing 8 x 10 x 10 mm	1	-----	N3.3172
64	Needle Free Wheeling 6 x 10 x 15 mm	2	<a href="#">H-6037</a>	N3.4509
65	Free Wheeling 6 x 10 x 12 mm	1	<a href="#">H-6038</a>	N3.4520
66	Ball Bearing 10 x 19 x 5 mm	2	<a href="#">H-2614-179</a>	N31.1118
67	Ball Bearing 4 x 11 x 4 mm	2	<a href="#">H-2614-161</a>	N31.1120
68	Ball Bearing 17 x 30 x 7 mm	1	<a href="#">H-5908-1151</a>	N31.1151
69	Ball Bearing 15 x 24 x 5 mm	1	<a href="#">H-5908-1163</a>	N31.1163
70	Ball Bearing 40 x 50 x 6 mm	1	-----	N31.1169
71	Slide-Bearing 6 x 8 x 6 mm	1	-----	N31.3115
72	Toothed Belt 9 mm	1	<a href="#">H-5909-3236Q</a>	N4.3236
73	Label - "CE"	1	-----	N4.9159
74	Adhesive Label - "Warnings"	1	-----	N41.9127
75	Adhesive Label - "WEEE"	1	-----	N43.9164
76	Adhesive Label - "18 Volt"	1	-----	N43.9192
77	Adhesive Label - "FROMM"	1	-----	N44.9104
78	Type Plate - "P329"	1	-----	N44.9148
79	Cover	1	-----	N5.2702
80	Gear Motor	1	<a href="#">H-6039</a>	N51.1127
81	Insertation Part	1	<a href="#">H-2614-2194</a>	N51.2194

**ULINE** H-7184  
**FROMM P329 SEALLESS  
 COMBO STRAPPING TOOL**

1-800-295-5510  
 uline.com

#	DESCRIPTION	QTY.	ULINE PART NO.	MFG. PART NO.
82	Contact Plug	3	-----	N51.2199
83	Spring Pin	1	-----	N51.5477
84	O-Ring 24 x 2	2	<a href="#">H-5908-6224</a>	N6.6224
85	O-Ring 8 x 2	1	<a href="#">H-5908-6232</a>	N6.6232
86	O-Ring 29.5 x 3	2	<a href="#">H-5908-6220</a>	N61.6220
87	Holding Down Clamp	1	-----	P30.1210
88	Tube	1	-----	P31.1124
89	Rocker	1	-----	P32.0144
90	Pinion	1	<a href="#">H-2615-161</a>	P32.0159
92	Welding Excentric	1	-----	P32.0202
93	Spring Bolt	1	-----	P32.0203
94	Gear Wheel	1	-----	P32.0204
95	Idler Step	1	-----	P32.0205
96	Lever	1	-----	P32.0206
97	Gear Body	1	-----	P32.0207
98	Gear	1	-----	P32.0208
99	Gear Wheel	1	-----	P32.0209
100	Gear Wheel	1	-----	P32.0210
101	Conical Gear Wheel	1	-----	P32.0211
102	Gear Wheel	1	-----	P32.0212
103	Motor	1	<a href="#">H-6040</a>	P32.0213
104	Gear Wheel	1	-----	P32.0214
105	Body	1	-----	P32.0218
106	Cover	1	-----	P32.0221
107	End Cover	1	<a href="#">H-5909-107Q</a>	P32.0222
108	Welding Excentric	1	<a href="#">H-5908-1022</a>	P32.1022
109	Rocker	1	<a href="#">H-6044</a>	P32.1024
110	Ball Cage	1	-----	P32.1027
111	Bolt	1	<a href="#">H-6045</a>	P32.1028
112	Thrust Piece	1	-----	P32.1029
113	Driving Pin	1	<a href="#">H-5909-113</a>	P32.1032
114	Driver	2	<a href="#">H-6046</a>	P32.1035
115	Handle Shaft	1	<a href="#">H-7292</a>	P32.1215
116	Pusher	1	<a href="#">H-5908-1251</a>	P32.1251
117	Welding Gripper	1	<a href="#">H-1728-1511</a>	P32.1511
118	Centering Sleeve	1	<a href="#">H-5908-116</a>	P32.1710
119	Turning Button	2	<a href="#">H-2614-TB</a>	P32.2009
120	Guide	1	-----	P32.2012
121	Gear Wheel	1	<a href="#">H-2615-GEAR</a>	P32.2016
122	Body	1	<a href="#">H-5908-8101</a>	P32.8101
123	Motor Housing	1	<a href="#">H-6041</a>	P32.8103

**ULINE** H-7184  
**FROMM P329 SEALLESS  
 COMBO STRAPPING TOOL**

1-800-295-5510  
 uline.com

#	DESCRIPTION	QTY.	ULINE PART NO.	MFG. PART NO.
124	Steel Insert	1	<a href="#">H-5908-8106</a>	P32.8106
125	Welding Stop Gripper	1	<a href="#">H-6047</a>	P32.8107
126	Holder	1	<a href="#">H-5908-124</a>	P32.8108
127	Top Gripper	1	<a href="#">H-6048</a>	P32.8109
128	Middle Gripper	1	<a href="#">H-6049</a>	P32.8110
129	Bottom Gripper	1	<a href="#">H-6050</a>	P32.8111
130	Pinion	1	<a href="#">H-5908-8115</a>	P32.8115
131	Spring Slide	1	-----	P32.8116
132	Spring Bolt	1	-----	P32.8117
133	Strap Guide Plate	1	<a href="#">H-5908-8118</a>	P32.8118
134	Magnet	1	<a href="#">H-11456</a>	P32.8120
135	Excentric Shaft	1	<a href="#">H-11457</a>	P32.8121
136	Toothed Belt Pulley	1	-----	P32.8122
137	Pusher	1	-----	P32.8125
138	Gear Wheel	1	-----	P32.8126
139	Planet Shaft	1	-----	P32.8127
140	Gear Wheel	1	-----	P32.8128
141	Gear Wheel	1	-----	P32.8129
142	Lever	1	<a href="#">H-5909-142</a>	P32.8130
143	Gear Body	1	-----	P32.8131
144	Gearing Cover	1	-----	P32.8132
145	Gear Wheel	1	-----	P32.8134
146	Housing	1	-----	P32.8136
147	Swivel Shaft	1	-----	P32.8137
148	Conical Gear Shaft	1	<a href="#">H-5908-8139</a>	P32.8138
149	Gear Wheel	1	<a href="#">H-5908-8139</a>	P32.8139
150	Retainer	1	-----	P32.8140
151	Covering	1	-----	P32.8141
152	Handle Lever	1	<a href="#">H-6685</a>	P32.8142
153	Gear Wheel	1	-----	P32.8153
154	Body	1	<a href="#">H-5909-8157</a>	P32.8157
155	Cover	1	<a href="#">H-5908-8158</a>	P32.8158
156	End Cover	1	<a href="#">H-6051</a>	P32.8159
157	Cover	1	<a href="#">H-5908-8195</a>	P32.8195
158	Gear Wheel	1	-----	P33.0204
159	Turning Button	1	-----	P33.2115
160	Shrinkable Hose	3	-----	P33.2127
161	Disk	1	<a href="#">H-5908-DISK</a>	P33.2145
162	Dowel	1	-----	P33.2155
163	Pusher	1	-----	P35.0146
164	Idler Gear	3	-----	P35.3104

**ULINE** H-7184  
**FROMM P329 SEALLESS  
 COMBO STRAPPING TOOL**

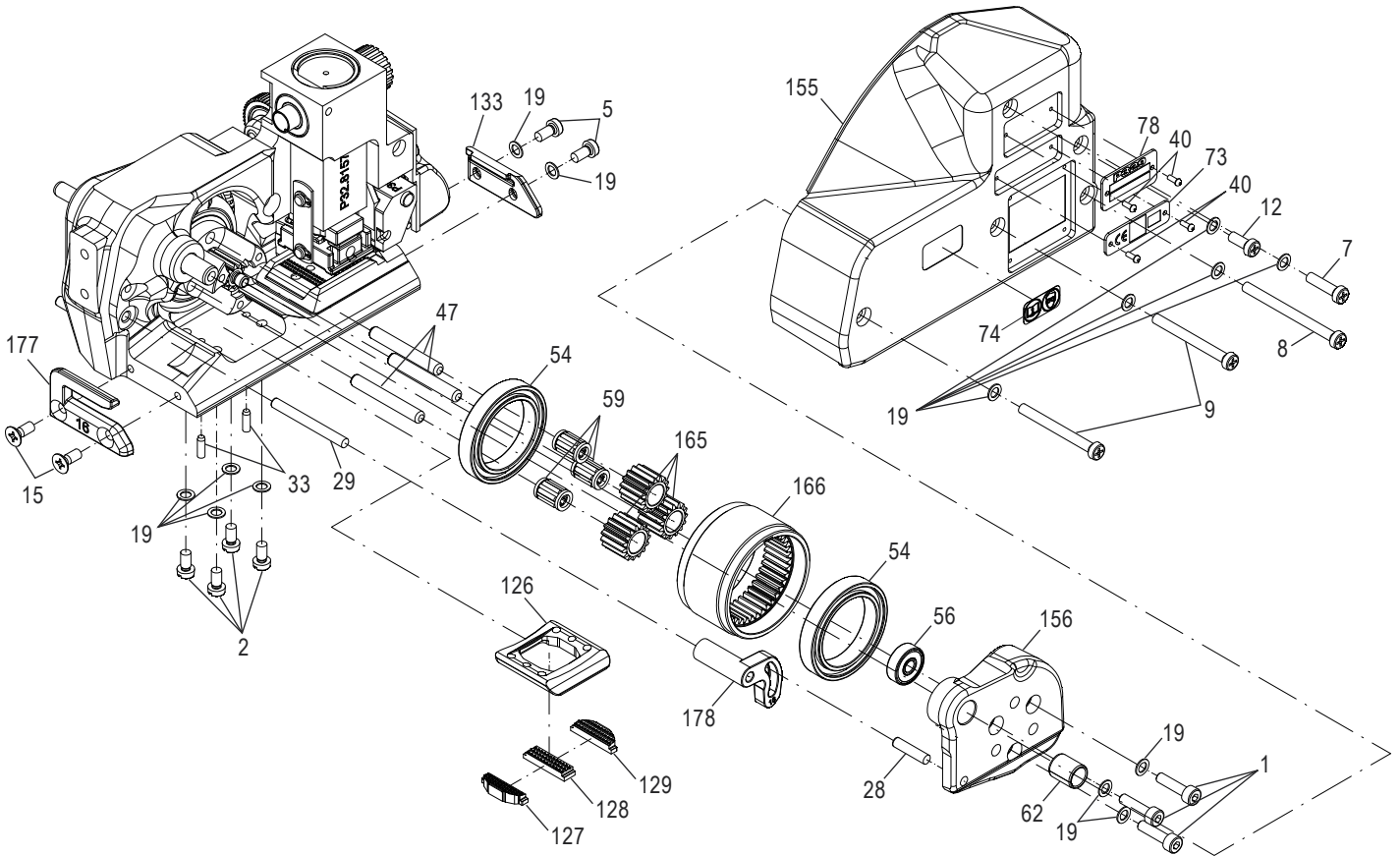
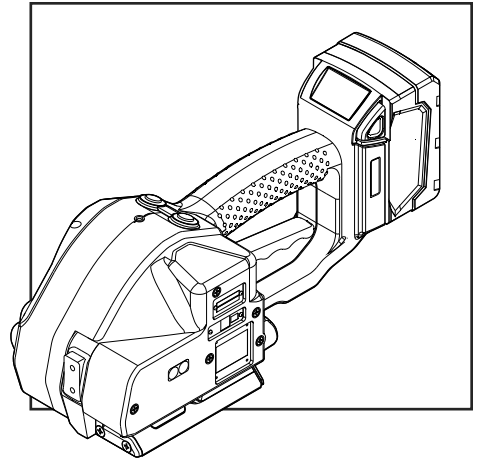
1-800-295-5510  
 uline.com

#	DESCRIPTION	QTY.	ULINE PART NO.	MFG. PART NO.
165	Idler Gear	3	<a href="#">H-5908-3201</a>	P35.3201
166	Tensioning Wheel	1	<a href="#">H-5909-3203</a>	P35.3203
167	Cutter	1	<a href="#">H-5909-3214</a>	P35.3214
168	Guide Case	1	<a href="#">H-5909-3215</a>	P35.3215
169	Seesaw Lever	1	<a href="#">H-1728-SLVR</a>	P35.3220
170	Seesaw Lever	1	<a href="#">H-2615-3221</a>	P35.3221
171	Thrust Piece	1	<a href="#">H-5908-3223</a>	P35.3223
172	Adhesive Label - "Button Panel"	1	-----	N44.9160
173	Base Model	1	-----	P32.0219
174	Circuit Board	1	<a href="#">H-5909-0229</a>	P32.0229
175	Motor Housing	1	<a href="#">H-6042</a>	P32.8105
176	Touch Contact Switch	1	<a href="#">H-6043</a>	P32.8150
177	Strap Stop	1	<a href="#">H-7184-8169</a>	P32.8169
178	Strap Guide	1	<a href="#">H-7184-SG</a>	P32.8178
179	Insertation Part	1	<a href="#">H-5908-8198</a>	P32.8198
180	Circuit Board	1	-----	P32.8199
181	Guide Pin	1	<a href="#">H-7184-GP181</a>	P35.3218
182	Guide Pin	1	<a href="#">H-7184-GP182</a>	P35.3219

**ULINE** H-7184

**FROMM P329  
HERRAMIENTA COMBINADA  
PARA UNIÓN SIN SELLO**

800-295-5510  
uline.mx



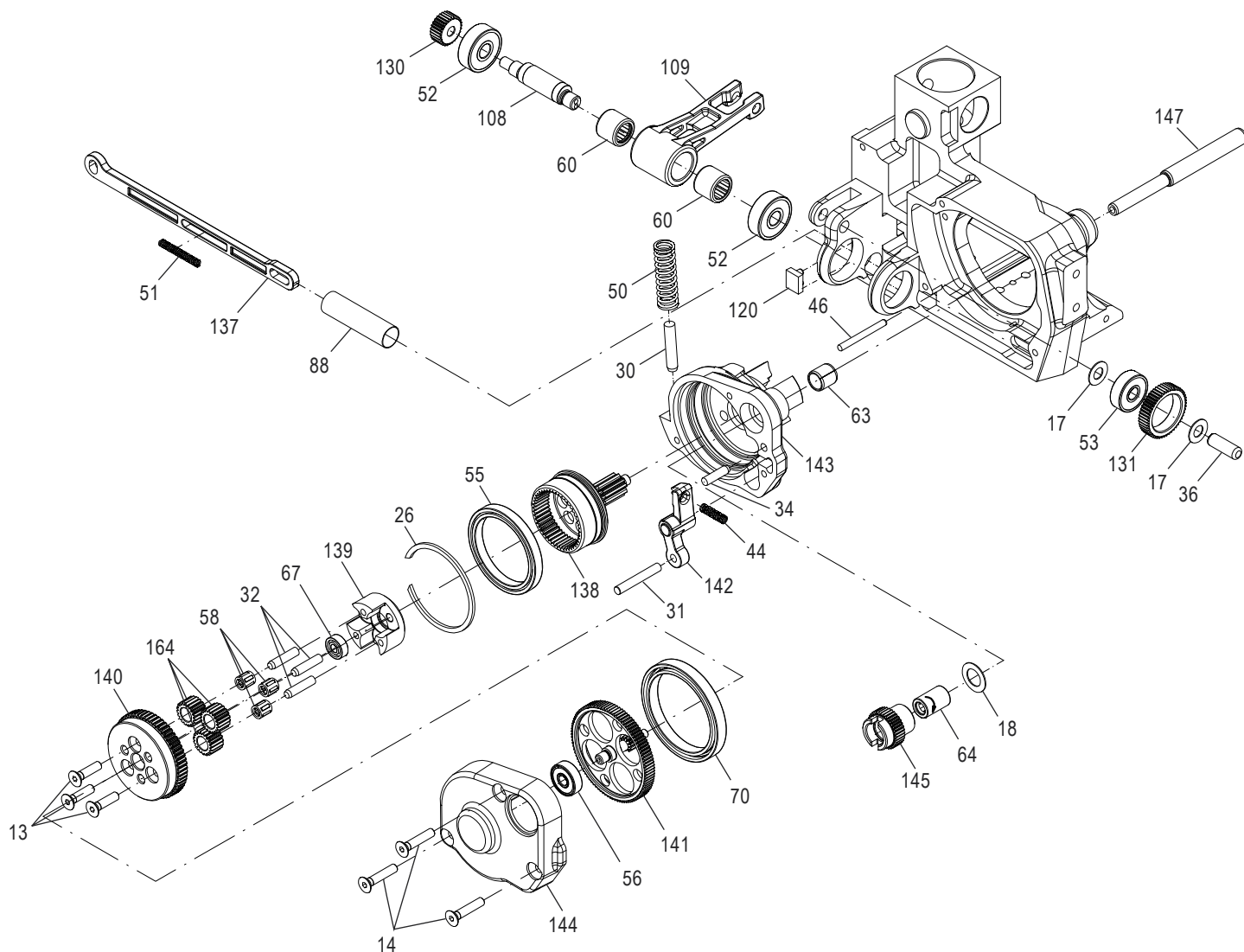


**ULINE** H-7184

**FROMM P329  
HERRAMIENTA COMBINADA  
PARA UNIÓN SIN SELLO**

800-295-5510

uline.mx

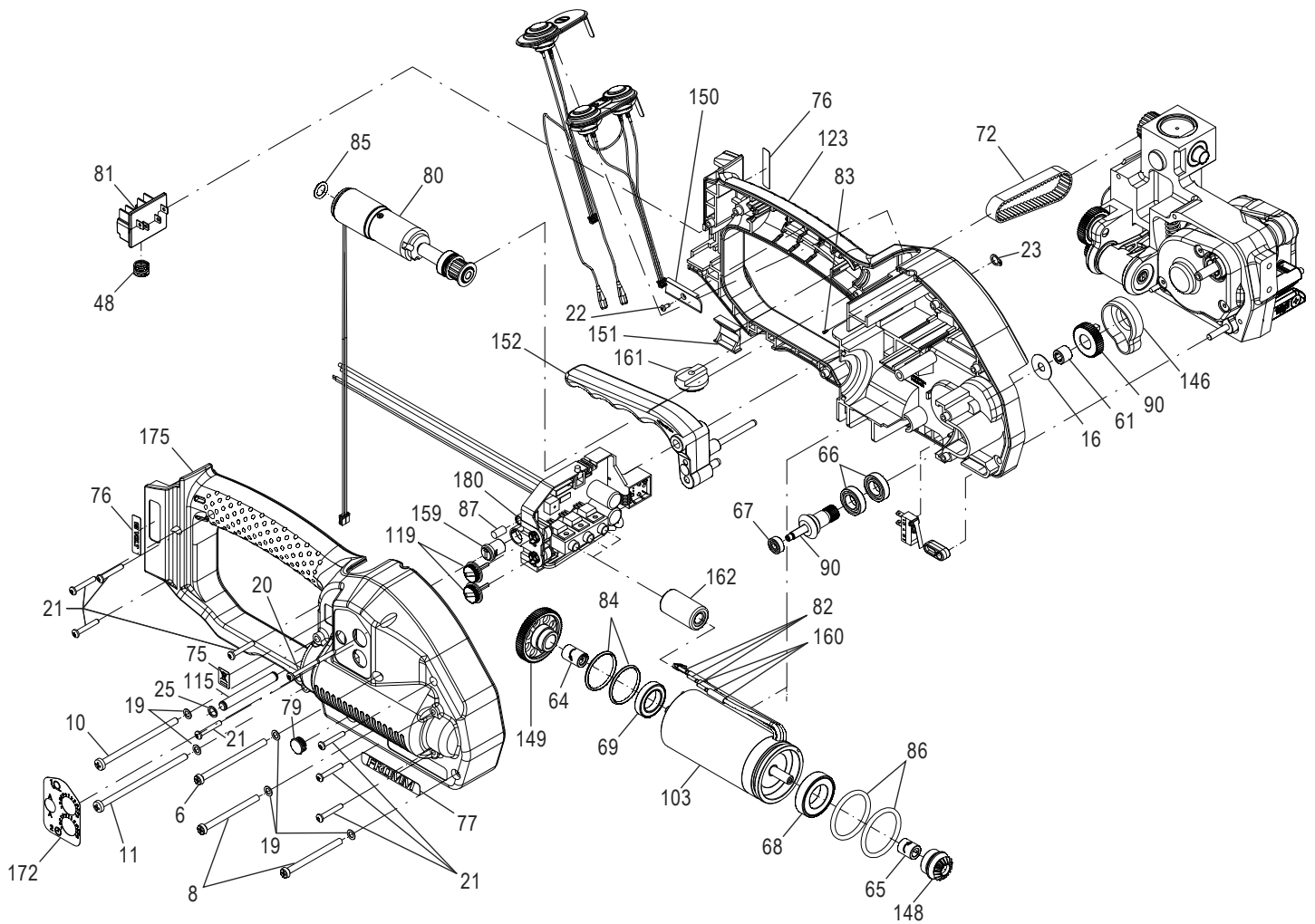


**ULINE H-7184**

**800-295-5510**

**uline.mx**

**FROMM P329  
HERRAMIENTA COMBINADA  
PARA UNIÓN SIN SELLO**



**ULINE H-7184****FROMM P329****HERRAMIENTA COMBINADA  
PARA UNIÓN SIN SELLO**

800-295-5510

uline.mx

#	DESCRIPCIÓN	CANT.	NO. DE PARTE DE ULINE	NO. DE PARTE DEL FABRICANTE
1	Tornillo M4 x 16 mm	3	<a href="#">H-6028</a>	N1.1196
2	Tornillo M4 x 7.8 mm	6	<a href="#">H-6029</a>	N1.1305
3	Tornillo Hexagonal M4 x 8 mm	1	<a href="#">H-5908-1553</a>	N1.1553
4	Tornillo de Cabeza Plana M4 x 12 mm	2	<a href="#">H-7184-4Q</a>	N1.1910
5	Tornillo de Cabeza Plana M4 x 8 mm	2	<a href="#">H-5909-1911</a>	N1.1911
6	Tornillo de Cabeza Plana M4 x 60 mm	1	<a href="#">H-2615-137Q</a>	N1.1927
7	Tornillo de Cabeza Plana M4 x 16 mm	1	<a href="#">H-6030</a>	N1.1928
8	Tornillo de Cabeza Plana M4 x 50 mm	3	<a href="#">H-6031</a>	N1.1934
9	Tornillo de Cabeza Plana M4 x 40 mm	2	<a href="#">H-6032</a>	N1.1943
10	Tornillo M4 x 70 mm	1	<a href="#">H-5909-11966</a>	N1.1966
11	Tornillo M4 x 80 mm	1	<a href="#">H-5909-1972</a>	N1.1972
12	Tornillo de Cabeza Plana M4 x 10 mm	1	<a href="#">H-6033</a>	N1.1973
13	Tornillo Avellanado M4 x 16 mm	3	-----	N1.2188
14	Tornillo Avellanado M4 x 20 mm	3	-----	N1.2189
15	Tornillo Avellanado M4 x 10 mm	2	<a href="#">H-5908-SCREW</a>	N1.2222
16	Rondana 6 x 18 x 0.5	1	-----	N1.6305
17	Rondana 6 x 12 x 0.5	3	-----	N1.6331
18	Rondana 9 x 15 x 0.5	1	-----	N1.6386
19	Rondana de Seguridad M4	24	<a href="#">H-6034</a>	N1.6504
20	Tornillo-PT 3 x 40 mm	1	<a href="#">H-956-1/2SC</a>	N1.7207
21	Tornillo-PT 3 x 20 mm	8	<a href="#">H-6035</a>	N1.7211
22	Tornillo-PT 2.2 x 5 mm	1	-----	N1.7222
23	Anillo de Seguridad 6	2	<a href="#">H-2615-RNG</a>	N2.1118
24	Anillo de Seguridad 5	4	<a href="#">H-2615-1121</a>	N2.1121
25	Anillo de Seguridad SW6	1	<a href="#">H-2614-160</a>	N2.1606
26	Anillo de Seguridad SB44	1	-----	N2.1610
27	Pin Paralelo 4 M6 x 10 mm	1	-----	N2.2110
28	Pin Paralelo 4 M6 x 18 mm	1	<a href="#">H-5908-2119</a>	N2.2119
29	Pin Paralelo 4 M6 x 40 mm	1	<a href="#">H-5909-2124</a>	N2.2124
30	Pin Paralelo 5 M6 x 26 mm	1	-----	N2.2126
31	Pin Paralelo 4 M6 x 28 mm	1	-----	N2.2142
32	Pin Paralelo 4 H6 x 18 mm	3	-----	N2.2145
33	Pin Paralelo 3 M6 x 10 mm	2	<a href="#">H-5909-33</a>	N2.2147
34	Pin Paralelo 4 M6 x 16 mm	1	-----	N2.2180
35	Pin Paralelo 3 M6 x 6 mm	1	<a href="#">H-956-PPIN</a>	N2.2187
36	Pin Paralelo 6 H6 x 18 mm	1	-----	N2.2190
37	Pin Paralelo 3 M6 x 32 mm	1	<a href="#">H-5908-37</a>	N2.2193
38	Pin de Clavija 4 x 15 mm	1	-----	N2.2443
39	Chavefa 2 x 2 x 6	1	-----	N2.3364
40	Tornillo con Cabeza de Martillo 1.85 x 4.76	2	-----	N2.4902

**ULINE H-7184****FROMM P329****HERRAMIENTA COMBINADA  
PARA UNIÓN SIN SELLO**

800-295-5510

uline.mx

#	DESCRIPCIÓN	CANT.	NO. DE PARTE DE ULINE	NO. DE PARTE DEL FABRICANTE
41	Resorte de Presión 0.6 x 4.8 x 20/15.5	2	-----	N2.5157
42	Resorte de Presión 0.32 x 2.82 x 20.5/20.5	2	<a href="#">H-5908-42</a>	N2.5178
43	Resorte de Presión 0.8 x 4.8 x 20/18.5	1	<a href="#">H-5908-43</a>	N2.5237
44	Resorte de Presión 0.5 x 4 x 24/16.5	1	<a href="#">H-5909-46</a>	N2.5296
45	Pin de Clavija 2 x 16	1	<a href="#">H-11455</a>	N21.2140
46	Pin Paralelo 3 h6 x 30	1	-----	N21.2144
47	Pin Paralelo 5 h6 x 37.6	3	-----	N21.2145
48	Resorte de Presión 0.9 x 10 x 15/5.5	1	<a href="#">H-7184-48Q</a>	N21.5124
49	Resorte de Presión 2.5 x 14.2 x 33.5/7.5	1	-----	N21.5138
50	Resorte de Presión 1.25 x 9.8 x 45/14.5	1	<a href="#">H-7369</a>	N21.5139
51	Resorte de Presión 0.43 x 3.6 x 32.9/27.5	1	<a href="#">H-5908-PS</a>	N21.5219
52	Balero 7 x 22 x 7 mm	2	<a href="#">H-5908-1134</a>	N3.1134
53	Balero 6 x 19 x 6 mm	1	<a href="#">H-5908-1159</a>	N3.1159
54	Balero 30 x 42 x 7 mm	2	<a href="#">H-956-BEAR</a>	N3.1172
55	Balero 35 x 44 x 5 mm	1	-----	N3.1178
56	Balero 5 x 16 x 5 mm	2	<a href="#">H-5908-56</a>	N3.1185
57	Esfera de 4 mm	6	<a href="#">H-6036</a>	N3.1702
58	Balero de Agujas K 4 x 7 x 7 TN	3	-----	N3.2105
59	Balero de Agujas K 5 x 9 x 13 TN	3	<a href="#">H-5908-2107Q</a>	N3.2107
60	Casquillo de Agujas 10 x 14 x 12 mm	2	<a href="#">H-5909-2347</a>	N3.2347
61	Casquillo de Agujas 6 x 10 x 8 mm	1	-----	N3.2362
62	Balero Deslizable 8 x 10 x 12 mm	1	<a href="#">H-6684</a>	N3.3150
63	Balero Deslizable 8 x 10 x 10 mm	1	-----	N3.3172
64	Buje de Giro con Aguja 6 x 10 x 15 mm	2	<a href="#">H-6037</a>	N3.4509
65	Buje de Giro 6 x 10 x 12 mm	1	<a href="#">H-6038</a>	N3.4520
66	Balero 10 x 19 x 5 mm	2	<a href="#">H-2614-179</a>	N31.1118
67	Balero 4 x 11 x 4 mm	2	<a href="#">H-2614-161</a>	N31.1120
68	Balero 17 x 30 x 7 mm	1	<a href="#">H-5908-1151</a>	N31.1151
69	Balero 15 x 24 x 5 mm	1	<a href="#">H-5908-1163</a>	N31.1163
70	Balero 40 x 50 x 6 mm	1	-----	N31.1169
71	Balero Deslizable 6 x 8 x 6 mm	1	-----	N31.3115
72	Cinturón Dentado 9 mm	1	<a href="#">H-5909-3236Q</a>	N4.3236
73	Etiqueta - "CE"	1	-----	N4.9159
74	Etiqueta Adhesiva - "Warning"	1	-----	N41.9127
75	Etiqueta Adhesiva - "WEE"	1	-----	N43.9164
76	Etiqueta Adhesiva - "18 Volt"	1	-----	N43.9192
77	Etiqueta Adhesiva - "FROMM"	1	-----	N44.9104
78	Tipo de Placa - "P329"	1	-----	N44.9148
79	Cubierta	1	-----	N5.2702
80	Motor de la Marcha	1	<a href="#">H-6039</a>	N51.1127
81	Parte de Inserción	1	<a href="#">H-2614-2194</a>	N51.2194

**ULINE H-7184****FROMM P329  
HERRAMIENTA COMBINADA  
PARA UNIÓN SIN SELLO**

800-295-5510

uline.mx

#	DESCRIPCIÓN	CANT.	NO. DE PARTE DE ULINE	NO. DE PARTE DEL FABRICANTE
82	Enchufe de Contacto	3	-----	N51.2199
83	Pin de Resorte	1	-----	N51.5477
84	Anillo O 24 x 2	2	<a href="#">H-5908-6224</a>	N6.6224
85	Anillo O 8 x 2	1	<a href="#">H-5908-6232</a>	N6.6232
86	Anillo O 29.5 x 3	2	<a href="#">H-5908-6220</a>	N61.6220
87	Mordaza de Sujeción	1	-----	P30.1210
88	Tubo	1	-----	P31.1124
89	Switch	1	-----	P32.0144
90	Piñón	1	<a href="#">H-2615-161</a>	P32.0159
92	Soldadura Excéntrica	1	-----	P32.0202
93	Perno Resorte	1	-----	P32.0203
94	Engrane Dentado	1	-----	P32.0204
95	Rodillo Escalonado	1	-----	P32.0205
96	Palanca	1	-----	P32.0206
97	Cubierta de Engrane	1	-----	P32.0207
98	Engrane	1	-----	P32.0208
99	Engrane Dentado	1	-----	P32.0209
100	Engrane Dentado	1	-----	P32.0210
101	Engrane Dentado Cónico	1	-----	P32.0211
102	Engrane Dentado	1	-----	P32.0212
103	Motor	1	<a href="#">H-6040</a>	P32.0213
104	Engrane Dentado	1	-----	P32.0214
105	Cuerpo	1	-----	P32.0218
106	Cubierta	1	-----	P32.0221
107	Tapa	1	<a href="#">H-5909-107Q</a>	P32.0222
108	Soldadura Excéntrica	1	<a href="#">H-5908-1022</a>	P32.1022
109	Switch	1	<a href="#">H-6044</a>	P32.1024
110	Caja de Esferas	1	-----	P32.1027
111	Perno	1	<a href="#">H-6045</a>	P32.1028
112	Pieza de Empuje	1	-----	P32.1029
113	Pin de Conducción	1	<a href="#">H-5909-113</a>	P32.1032
114	Conductor	2	<a href="#">H-6046</a>	P32.1035
115	Eje de Asa	1	<a href="#">H-7292</a>	P32.1215
116	Pulsador	1	<a href="#">H-5908-1251</a>	P32.1251
117	Pinza de Soldadura	1	<a href="#">H-1728-1511</a>	P32.1511
118	Manga de Centrado	1	<a href="#">H-5908-116</a>	P32.1710
119	Botón de Giro	2	<a href="#">H-2614-TB</a>	P32.2009
120	Guía	1	-----	P32.2012
121	Engrane Dentado	1	<a href="#">H-2615-GEAR</a>	P32.2016
122	Cuerpo	1	<a href="#">H-5908-8101</a>	P32.8101
123	Caja del Motor	1	<a href="#">H-6041</a>	P32.8103

**ULINE** H-7184**FROMM P329  
HERRAMIENTA COMBINADA  
PARA UNIÓN SIN SELLO**

800-295-5510

uline.mx

#	DESCRIPCIÓN	CANT.	NO. DE PARTE DE ULINE	NO. DE PARTE DEL FABRICANTE
124	Inserto de Acero	1	<a href="#">H-5908-8106</a>	P32.8106
125	Pinza de Tope de Soldadura	1	<a href="#">H-6047</a>	P32.8107
126	Soporte	1	<a href="#">H-5908-124</a>	P32.8108
127	Agarradera Superior	1	<a href="#">H-6048</a>	P32.8109
128	Agarradera Intermedia	1	<a href="#">H-6049</a>	P32.8110
129	Agarradera Inferior	1	<a href="#">H-6050</a>	P32.8111
130	Piñón	1	<a href="#">H-5908-8115</a>	P32.8115
131	Resorte Deslizable	1	-----	P32.8116
132	Perno de Resorte	1	-----	P32.8117
133	Placa de Guía de Fleje	1	<a href="#">H-5908-8118</a>	P32.8118
134	Imán	1	<a href="#">H-11456</a>	P32.8120
135	Eje Excéntrico	1	<a href="#">H-11457</a>	P32.8121
136	Polea de Cinturón Dentado	1	-----	P32.8122
137	Empuje	1	-----	P32.8125
138	Engrane Dentado	1	-----	P32.8126
139	Eje Planetario	1	-----	P32.8127
140	Engrane Dentado	1	-----	P32.8128
141	Engrane Dentado	1	-----	P32.8129
142	Palanca	1	<a href="#">H-5909-142</a>	P32.8130
143	Cuerpo de Engrane	1	-----	P32.8131
144	Cubierta de Engranaje	1	-----	P32.8132
145	Engrane Dentado	1	-----	P32.8134
146	Cubierta	1	-----	P32.8136
147	Eje Rotatorio	1	-----	P32.8137
148	Eje de Engrane Cónico	1	<a href="#">H-5908-8139</a>	P32.8138
149	Engrane Dentado	1	<a href="#">H-5908-8139</a>	P32.8139
150	Retenedor	1	-----	P32.8140
151	Cubierta	1	-----	P32.8141
152	Palanca del Asa	1	<a href="#">H-6685</a>	P32.8142
153	Engrane Dentado	1	-----	P32.8153
154	Cuerpo	1	<a href="#">H-5909-8157</a>	P32.8157
155	Cubierta	1	<a href="#">H-5908-8158</a>	P32.8158
156	Tapa	1	<a href="#">H-6051</a>	P32.8159
157	Cubierta	1	<a href="#">H-5908-8195</a>	P32.8195
158	Engrane Dentado	1	-----	P33.0204
159	Botón de Giro	1	-----	P33.2115
160	Manguera Encogible	3	-----	P33.2127
161	Disco	1	<a href="#">H-5908-DISK</a>	P33.2145
162	Pasador	1	-----	P33.2155
163	Empuje	1	-----	P35.0146
164	Rodillo del Eje	3	-----	P35.3104

**ULINE H-7184****FROMM P329  
HERRAMIENTA COMBINADA  
PARA UNIÓN SIN SELLO**

800-295-5510

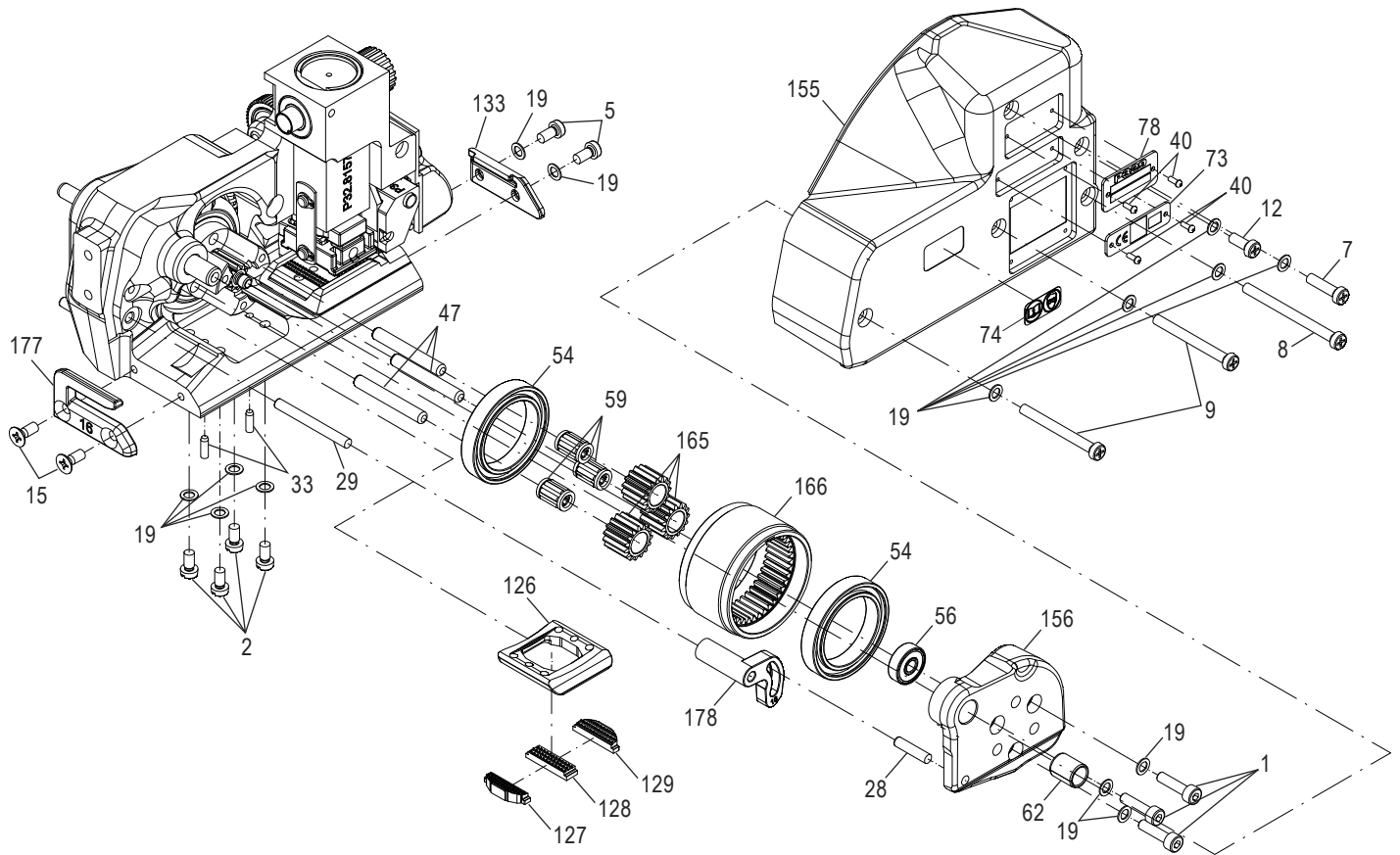
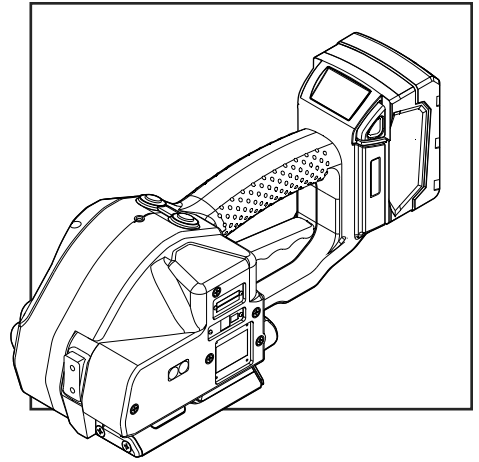
uline.mx

#	DESCRIPCIÓN	CANT.	NO. DE PARTE DE ULINE	NO. DE PARTE DEL FABRICANTE
165	Rodillo del Eje	3	<a href="#">H-5908-3201</a>	P35.3201
166	Rueda de Tensión	1	<a href="#">H-5909-3203</a>	P35.3203
167	Cortador	1	<a href="#">H-5909-3214</a>	P35.3214
168	Caja Guía	1	<a href="#">H-5909-3215</a>	P35.3215
169	Palanca de Balancín	1	<a href="#">H-1728-SLVR</a>	P35.3220
170	Palanca de Balancín	1	<a href="#">H-2615-3221</a>	P35.3221
171	Pieza de Empuje	1	<a href="#">H-5908-3223</a>	P35.3223
172	Etiqueta Adhesiva - "Button Panel"	1	-----	N44.9160
173	Modelo Base	1	-----	P32.0219
174	Tablero de Circuitos	1	<a href="#">H-5909-0229</a>	P32.0229
175	Caja del Motor	1	<a href="#">H-6042</a>	P32.8105
176	Switch de Contacto	1	<a href="#">H-6043</a>	P32.8150
177	Tope de Fleje	1	<a href="#">H-7184-8169</a>	P32.8169
178	Guía de Fleje	1	<a href="#">H-7184-SG</a>	P32.8178
179	Parte de Inserción	1	<a href="#">H-5908-8198</a>	P32.8198
180	Tablero de Circuitos	1	-----	P32.8199
181	Pin Guía	1	<a href="#">H-7184-GP181</a>	P35.3218
182	Pin Guía	1	<a href="#">H-7184-GP182</a>	P35.3219

**ULINE** H-7184

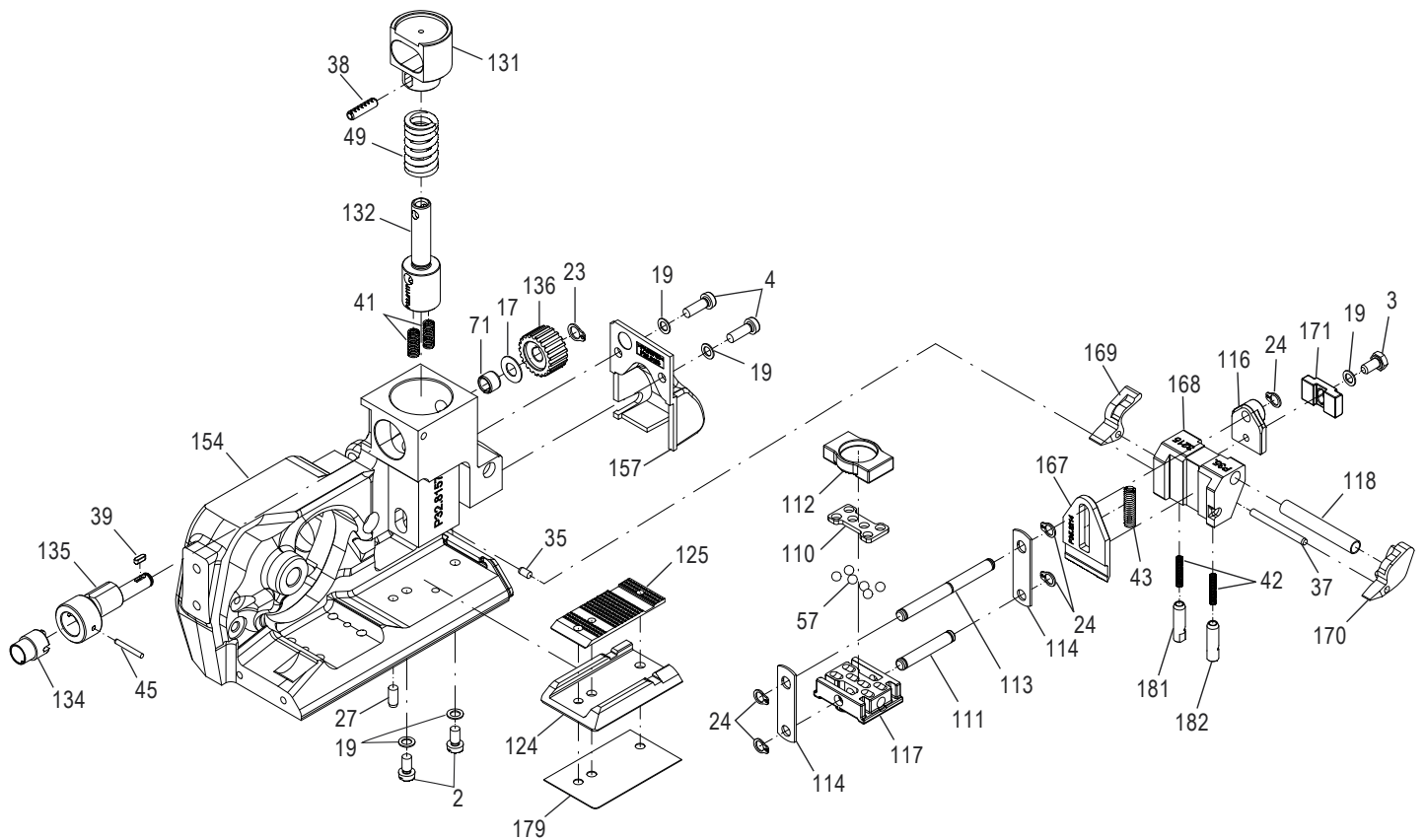
**FROMM P329 – OUTIL  
MULTIFONCTIONNEL POUR  
CERCLAGE SANS JOINTS**

1 800 295-5510  
uline.ca



**ULINE H-7184**  
**FROMM P329 – OUTIL**  
**MULTIFONCTIONNEL POUR**  
**CERCLAGE SANS JOINTS**

1 800 295-5510  
uline.ca

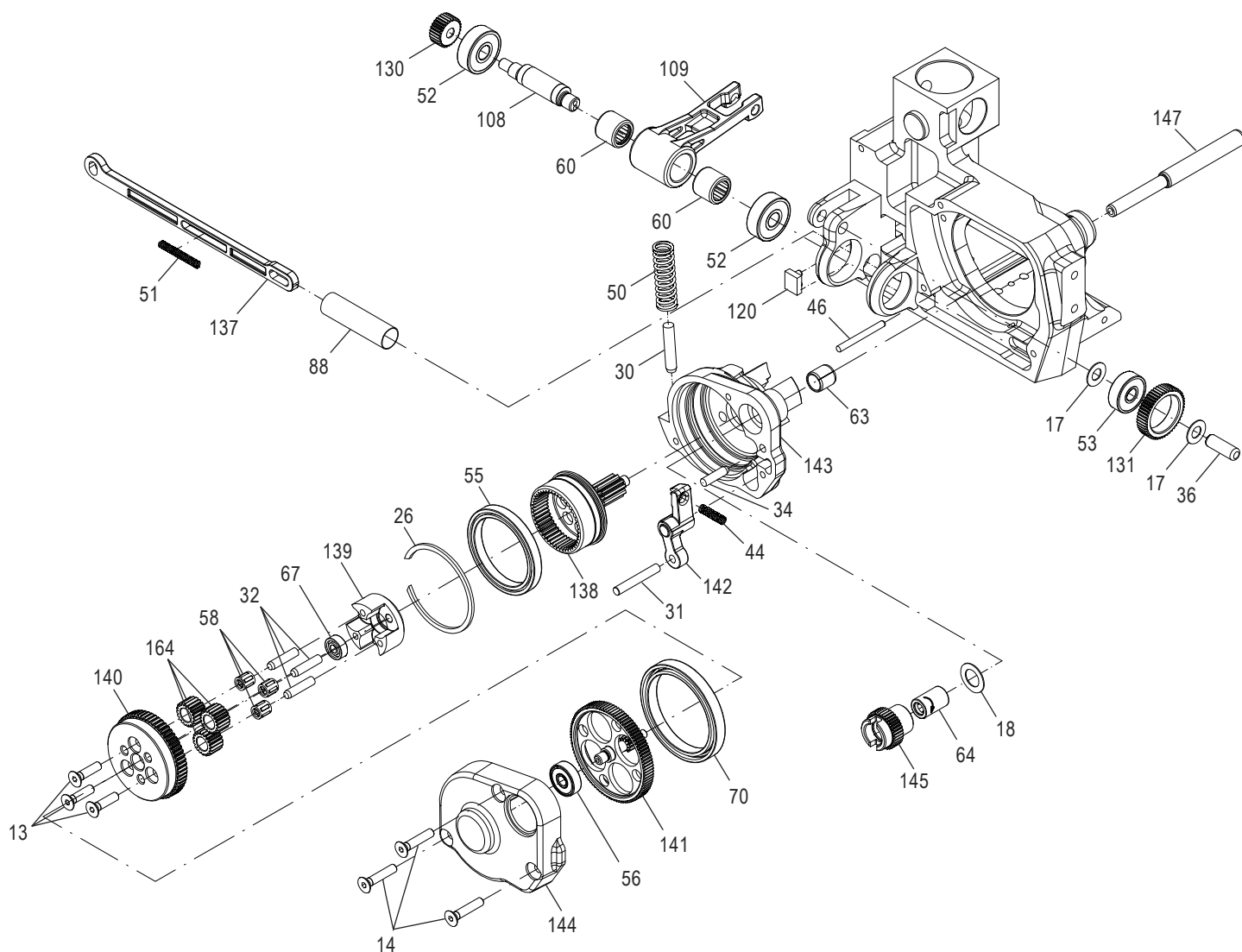


**ULINE** H-7184

1 800 295-5510

uline.ca

**FROMM P329 – OUTIL  
MULTIFONCTIONNEL POUR  
CERCLAGE SANS JOINTS**

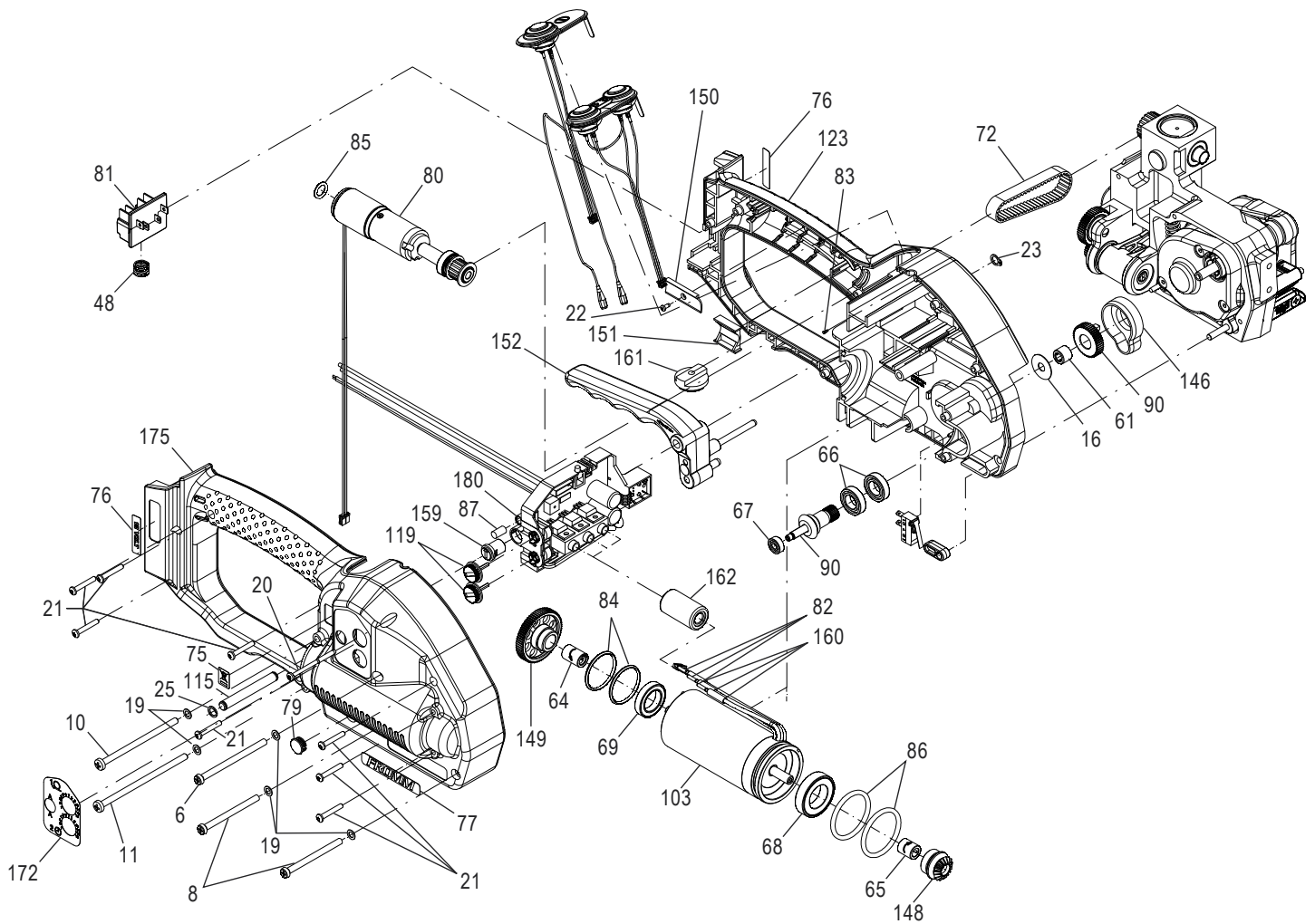


**ULINE H-7184**

**FROMM P329 – OUTIL  
MULTIFONCTIONNEL POUR  
CERCLAGE SANS JOINTS**

1 800 295-5510

uline.ca



**FROMM P329 – OUTIL  
MULTIFONCTIONNEL POUR  
CERCLAGE SANS JOINTS**

#	DESCRIPTION	QTÉ	RÉF. ULINE	RÉF. DU FABRICANT
1	Vis, M4 x 16 mm	3	<a href="#">H-6028</a>	N1.1196
2	Vis, M4 x 7,8 mm	6	<a href="#">H-6029</a>	N1.1305
3	Vis hexagonale, M4 x 8 mm	1	<a href="#">H-5908-1553</a>	N1.1553
4	Vis à tête plate, M4 x 12 mm	2	<a href="#">H-7184-4Q</a>	N1.1910
5	Vis à tête plate, M4 x 8 mm	2	<a href="#">H-5909-1911</a>	N1.1911
6	Vis à tête plate, M4 x 60 mm	1	<a href="#">H-2615-137Q</a>	N1.1927
7	Vis à tête plate, M4 x 16 mm	1	<a href="#">H-6030</a>	N1.1928
8	Vis à tête plate, M4 x 50 mm	3	<a href="#">H-6031</a>	N1.1934
9	Vis à tête plate, M4 x 40 mm	2	<a href="#">H-6032</a>	N1.1943
10	Vis, M4 x 70 mm	1	<a href="#">H-5909-11966</a>	N1.1966
11	Vis, M4 x 80 mm	1	<a href="#">H-5909-1972</a>	N1.1972
12	Vis à tête plate, M4 x 10 mm	1	<a href="#">H-6033</a>	N1.1973
13	Vis à tête creuse, M4 x 16 mm	3	-----	N1.2188
14	Vis à tête creuse, M4 x 20 mm	3	-----	N1.2189
15	Vis à tête creuse, M4 x 10 mm	2	<a href="#">H-5908-SCREW</a>	N1.2222
16	Rondelle d'espacement, 6 x 18 x 0,5	1	-----	N1.6305
17	Rondelle d'espacement, 6 x 12 x 0,5	3	-----	N1.6331
18	Rondelle d'espacement, 9 x 15 x 0,5	1	-----	N1.6386
19	Rondelle de sécurité, M4 x 10 mm	24	<a href="#">H-6034</a>	N1.6504
20	Vis PT, 3 x 40 mm	1	<a href="#">H-956-1/2SC</a>	N1.7207
21	Vis PT, 3 x 20 mm	8	<a href="#">H-6035</a>	N1.7211
22	Vis PT, 2,2 x 5 mm	1	-----	N1.7222
23	Bague de sécurité, 6	2	<a href="#">H-2615-RNG</a>	N2.1118
24	Bague de sécurité, 5	4	<a href="#">H-2615-1121</a>	N2.1121
25	Bague à ressort, SW6	1	<a href="#">H-2614-160</a>	N2.1606
26	Bague à ressort, SB44	1	-----	N2.1610
27	Broche parallèle, 4 M6 x 10 mm	1	-----	N2.2110
28	Broche parallèle, 4 M6 x 18 mm	1	<a href="#">H-5908-2119</a>	N2.2119
29	Broche parallèle, 4 M6 x 40 mm	1	<a href="#">H-5909-2124</a>	N2.2124
30	Broche parallèle, 5 M6 x 26 mm	1	-----	N2.2126
31	Broche parallèle, 4 M6 x 28 mm	1	-----	N2.2142
32	Broche parallèle, 4 H6 x 18 mm	3	-----	N2.2145
33	Broche parallèle, 3 M6 x 10 mm	2	<a href="#">H-5909-33</a>	N2.2147
34	Broche parallèle, 4 M6 x 16 mm	1	-----	N2.2180
35	Broche parallèle, 3 M6 x 6 mm	1	<a href="#">H-956-PPIN</a>	N2.2187
36	Broche parallèle, 6 H6 x 18 mm	1	-----	N2.2190
37	Broche parallèle, 3 M6 x 32 mm	1	<a href="#">H-5908-37</a>	N2.2193
38	Goupille cylindrique, 4 x 15 mm	1	-----	N2.2443
39	Clavette, 2 x 2 x 6	1	-----	N2.3364
40	Boulon à tête rectangulaire, 1,85 x 4,76	2	-----	N2.4902

**FROMM P329 – OUTIL  
MULTIFONCTIONNEL POUR  
CERCLAGE SANS JOINTS**

#	DESCRIPTION	QTÉ	RÉF. ULINE	RÉF. DU FABRICANT
41	Ressort de pression, 0,6 x 4,8 x 20/15,5	2	-----	N2.5157
42	Ressort de pression, 0,32 x 2,82 x 20,5/20,5	2	<a href="#">H-5908-42</a>	N2.5178
43	Ressort de pression, 0,8 x 4,8 x 20/18,5	1	<a href="#">H-5908-43</a>	N2.5237
44	Ressort de pression, 0,5 x 4 x 24/16,5	1	<a href="#">H-5909-46</a>	N2.5296
45	Goupille cylindrique, 2 x 16	1	<a href="#">H-11455</a>	N21.2140
46	Broche parallèle, 3 h6 x 30	1	-----	N21.2144
47	Broche parallèle, 5 h6 x 37,6	3	-----	N21.2145
48	Ressort de pression, 0,9 x 10 x 15/5,5	1	<a href="#">H-7184-48Q</a>	N21.5124
49	Ressort de pression, 2,5 x 14,2 x 33,5/7,5	1	-----	N21.5138
50	Ressort de pression, 1,25 x 9,8 x 45/14,5	1	<a href="#">H-7369</a>	N21.5139
51	Ressort de pression, 0,43 x 3,6 x 32,9/27,5	1	<a href="#">H-5908-PS</a>	N21.5219
52	Roulement à bille, 7 x 22 x 7 mm	2	<a href="#">H-5908-1134</a>	N3.1134
53	Roulement à bille, 6 x 19 x 6 mm	1	<a href="#">H-5908-1159</a>	N3.1159
54	Roulement à bille, 30 x 42 x 7 mm	2	<a href="#">H-956-BEAR</a>	N3.1172
55	Roulement à bille, 35 x 44 x 5 mm	1	-----	N3.1178
56	Roulement à bille, 5 x 16 x 5 mm	2	<a href="#">H-5908-56</a>	N3.1185
57	Bille, 4 mm	6	<a href="#">H-6036</a>	N3.1702
58	Cage à aiguilles, K 4 x 7 x 7 TN	3	-----	N3.2105
59	Cage à aiguilles, K 5 x 9 x 13 TN	3	<a href="#">H-5908-2107Q</a>	N3.2107
60	Douille d'aiguille, 10 x 14 x 12 mm	2	<a href="#">H-5909-2347</a>	N3.2347
61	Douille d'aiguille, 6 x 10 x 8 mm	1	-----	N3.2362
62	Palier lisse, 8 x 10 x 12 mm	1	<a href="#">H-6684</a>	N3.3150
63	Palier lisse, 8 x 10 x 10 mm	1	-----	N3.3172
64	Aiguille de roue libre, 6 x 10 x 15 mm	2	<a href="#">H-6037</a>	N3.4509
65	Roue libre, 6 x 10 x 12 mm	1	<a href="#">H-6038</a>	N3.4520
66	Roulement à bille, 10 x 19 x 5 mm	2	<a href="#">H-2614-179</a>	N31.1118
67	Roulement à bille, 4 x 11 x 4 mm	2	<a href="#">H-2614-161</a>	N31.1120
68	Roulement à bille, 17 x 30 x 7 mm	1	<a href="#">H-5908-1151</a>	N31.1151
69	Roulement à bille, 15 x 24 x 5 mm	1	<a href="#">H-5908-1163</a>	N31.1163
70	Roulement à bille, 40 x 50 x 6 mm	1	-----	N31.1169
71	Palier lisse, 6 x 8 x 6 mm	1	-----	N31.3115
72	Courroie crantée, 9 mm	1	<a href="#">H-5909-3236Q</a>	N4.3236
73	Étiquette – " CE "	1	-----	N4.9159
74	Étiquette adhésive – " Warnings "	1	-----	N41.9127
75	Étiquette adhésive – " WEEE "	1	-----	N43.9164
76	Étiquette adhésive – " 18 Volt "	1	-----	N43.9192
77	Étiquette adhésive – " FROMM "	1	-----	N44.9104
78	Plaque type – " P329 "	1	-----	N44.9148
79	Couvercle	1	-----	N5.2702
80	Moteur à engrenages	1	<a href="#">H-6039</a>	N51.1127
81	Pièce d'insertion	1	<a href="#">H-2614-2194</a>	N51.2194

**FROMM P329 – OUTIL  
MULTIFONCTIONNEL POUR  
CERCLAGE SANS JOINTS**

#	DESCRIPTION	QTÉ	RÉF. ULINE	RÉF. DU FABRICANT
82	Fiche de contact	3	-----	N51.2199
83	Cheville de ressort	1	-----	N51.5477
84	Joint torique, 24 x 2	2	<a href="#">H-5908-6224</a>	N6.6224
85	Joint torique, 8 x 2	1	<a href="#">H-5908-6232</a>	N6.6232
86	Joint torique, 29,5 x 3	2	<a href="#">H-5908-6220</a>	N61.6220
87	Serre-tôle	1	-----	P30.1210
88	Tube	1	-----	P31.1124
89	Bascule	1	-----	P32.0144
90	Pignon	1	<a href="#">H-2615-161</a>	P32.0159
92	Excentrique à soudage	1	-----	P32.0202
93	Boulon à ressort	1	-----	P32.0203
94	Roue d'engrenage	1	-----	P32.0204
95	Galet	1	-----	P32.0205
96	Levier	1	-----	P32.0206
97	Corps d'engrenage	1	-----	P32.0207
98	Engrenage	1	-----	P32.0208
99	Roue d'engrenage	1	-----	P32.0209
100	Roue d'engrenage	1	-----	P32.0210
101	Roue d'engrenage conique	1	-----	P32.0211
102	Roue d'engrenage	1	-----	P32.0212
103	Moteur	1	<a href="#">H-6040</a>	P32.0213
104	Roue d'engrenage	1	-----	P32.0214
105	Corps	1	-----	P32.0218
106	Couvercle	1	-----	P32.0221
107	Couvercle d'extrémité	1	<a href="#">H-5909-107Q</a>	P32.0222
108	Excentrique à soudage	1	<a href="#">H-5908-1022</a>	P32.1022
109	Bascule	1	<a href="#">H-6044</a>	P32.1024
110	Cage à billes	1	-----	P32.1027
111	Boulon	1	<a href="#">H-6045</a>	P32.1028
112	Butée	1	-----	P32.1029
113	Goupille d'entraînement	1	<a href="#">H-5909-113</a>	P32.1032
114	Lame de poussée	2	<a href="#">H-6046</a>	P32.1035
115	Arbre de poignée	1	<a href="#">H-7292</a>	P32.1215
116	Poussoir	1	<a href="#">H-5908-1251</a>	P32.1251
117	Préhenseur à soudage	1	<a href="#">H-1728-1511</a>	P32.1511
118	Manchon de centrage	1	<a href="#">H-5908-116</a>	P32.1710
119	Bouton rotatif	2	<a href="#">H-2614-TB</a>	P32.2009
120	Guide	1	-----	P32.2012
121	Roue d'engrenage	1	<a href="#">H-2615-GEAR</a>	P32.2016
122	Corps	1	<a href="#">H-5908-8101</a>	P32.8101
123	Boîtier du moteur	1	<a href="#">H-6041</a>	P32.8103

# FROMM P329 – OUTIL MULTIFONCTIONNEL POUR CERCLAGE SANS JOINTS

#	DESCRIPTION	QTÉ	RÉF. ULINE	RÉF. DU FABRICANT
124	Insertion métallique	1	<a href="#">H-5908-8106</a>	P32.8106
125	Préhenseur à soudage	1	<a href="#">H-6047</a>	P32.8107
126	Support	1	<a href="#">H-5908-124</a>	P32.8108
127	Préhenseur supérieur	1	<a href="#">H-6048</a>	P32.8109
128	Préhenseur central	1	<a href="#">H-6049</a>	P32.8110
129	Préhenseur inférieur	1	<a href="#">H-6050</a>	P32.8111
130	Pignon	1	<a href="#">H-5908-8115</a>	P32.8115
131	Ressort lisse	1	-----	P32.8116
132	Boulon à ressort	1	-----	P32.8117
133	Plaque de guide de sangle	1	<a href="#">H-5908-8118</a>	P32.8118
134	Aimant	1	<a href="#">H-11456</a>	P32.8120
135	Arbre excentrique	1	<a href="#">H-11457</a>	P32.8121
136	Poulie à courroie crantée	1	-----	P32.8122
137	Poussoir	1	-----	P32.8125
138	Roue d'engrenage	1	-----	P32.8126
139	Arbre planétaire	1	-----	P32.8127
140	Roue d'engrenage	1	-----	P32.8128
141	Roue d'engrenage	1	-----	P32.8129
142	Levier	1	<a href="#">H-5909-142</a>	P32.8130
143	Corps d'engrenage	1	-----	P32.8131
144	Couvercle d'engrenage	1	-----	P32.8132
145	Roue d'engrenage	1	-----	P32.8134
146	Boîtier	1	-----	P32.8136
147	Arbre pivotant	1	-----	P32.8137
148	Arbre d'engrenage conique	1	<a href="#">H-5908-8139</a>	P32.8138
149	Roue d'engrenage	1	<a href="#">H-5908-8139</a>	P32.8139
150	Anneau de retenue	1	-----	P32.8140
151	Couvercle	1	-----	P32.8141
152	Levier de poignée	1	<a href="#">H-6685</a>	P32.8142
153	Roue d'engrenage	1	-----	P32.8153
154	Corps	1	<a href="#">H-5909-8157</a>	P32.8157
155	Couvercle	1	<a href="#">H-5908-8158</a>	P32.8158
156	Couvercle d'extrémité	1	<a href="#">H-6051</a>	P32.8159
157	Couvercle	1	<a href="#">H-5908-8195</a>	P32.8195
158	Roue d'engrenage	1	-----	P33.0204
159	Bouton rotatif	1	-----	P33.2115
160	Tuyau rétractable	3	-----	P33.2127
161	Disque	1	<a href="#">H-5908-DISK</a>	P33.2145
162	Douille	1	-----	P33.2155
163	Poussoir	1	-----	P35.0146
164	Galet d'engrenage	3	-----	P35.3104

**ULINE H-7184****FROMM P329 – OUTIL  
MULTIFONCTIONNEL POUR  
CERCLAGE SANS JOINTS**

1 800 295-5510

uline.ca

#	DESCRIPTION	QTÉ	RÉF. ULINE	RÉF. DU FABRICANT
165	Galet d'engrenage	3	<a href="#">H-5908-3201</a>	P35.3201
166	Roue de tension	1	<a href="#">H-5909-3203</a>	P35.3203
167	Outil de coupe	1	<a href="#">H-5909-3214</a>	P35.3214
168	Boîtier guide	1	<a href="#">H-5909-3215</a>	P35.3215
169	Levier à bascule	1	<a href="#">H-1728-SLVR</a>	P35.3220
170	Levier à bascule	1	<a href="#">H-2615-3221</a>	P35.3221
171	Butée	1	<a href="#">H-5908-3223</a>	P35.3223
172	Étiquette adhésive – " Button Panel "	1	-----	N44.9160
173	Base standard	1	-----	P32.0219
174	Carte de circuits imprimés	1	<a href="#">H-5909-0229</a>	P32.0229
175	Boîtier du moteur	1	<a href="#">H-6042</a>	P32.8105
176	Interrupteur tactile	1	<a href="#">H-6043</a>	P32.8150
177	Arrêt de courroie	1	<a href="#">H-7184-8169</a>	P32.8169
178	Guide de courroie	1	<a href="#">H-7184-SG</a>	P32.8178
179	Pièce d'insertion	1	<a href="#">H-5908-8198</a>	P32.8198
180	Carte de circuits imprimés	1	-----	P32.8199
181	Tige de guidage	1	<a href="#">H-7184-GP181</a>	P35.3218
182	Tige de guidage	1	<a href="#">H-7184-GP182</a>	P35.3219