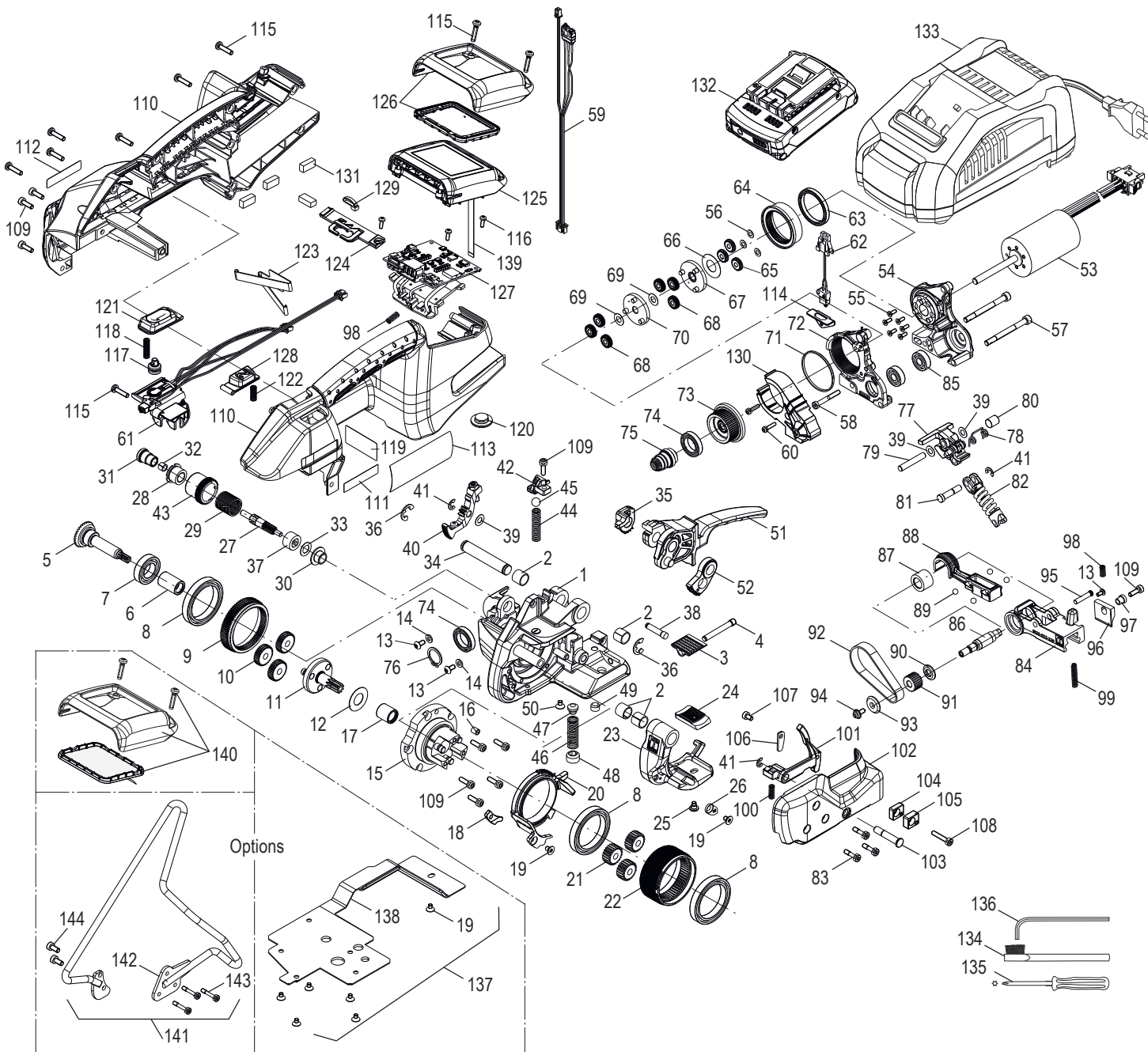
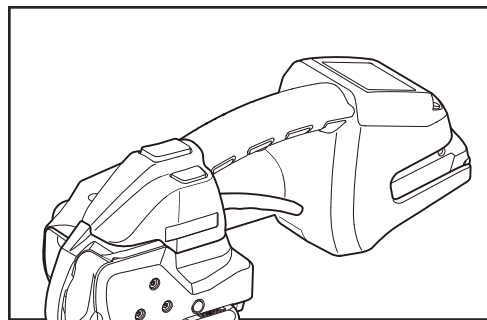


# ULINE H-7207 AUTOMATIC SEALLESS COMBO STRAPPING TOOL

1-800-295-5510  
uline.com



**AUTOMATIC SEALLESS  
COMBO STRAPPING TOOL**

1-800-295-5510

uline.com

| #  | DESCRIPTION             | QTY. | ULINE PART NO.               | MFG. PART NO. |
|----|-------------------------|------|------------------------------|---------------|
| 1  | Base Plate Complete     | 1    | <a href="#">H-7306</a>       | 1832.011.284  |
| 2  | Slide Bearing           | 4    | <a href="#">H-7211-2SBQ</a>  | 1935.510.100  |
| 3  | Tooth Plate (Bottom)    | 1    | <a href="#">H-2385-THBTM</a> | 1832.022.109  |
| 4  | Set Screw               | 1    | <a href="#">H-2386-SETSW</a> | 1832.022.055  |
| 5  | Bevel Wheel with Pinion | 1    | <a href="#">H-2385-BVWHL</a> | 1821.061.034  |
| 6  | Drawn Cup Roller Clutch | 1    | -----                        | 1926.502.100  |
| 7  | Ball Bearing            | 1    | <a href="#">H-7207-7BEAR</a> | 1930.190.154  |
| 8  | Ball Bearing            | 3    | <a href="#">H-2385-BEAR</a>  | 1930.180.356  |
| 9  | Blocking Gear           | 1    | <a href="#">H-2385-BWHL</a>  | 1832.039.211  |
| 10 | Planet Gear             | 3    | <a href="#">H-2385-60016</a> | 1821.060.016  |
| 11 | Planet Carrier Complete | 1    | <a href="#">H-2385-PGEAR</a> | 1832.039.165  |
| 12 | Spacer Disc             | 1    | -----                        | 1917.401.125  |
| 13 | Pan Head Screw          | 3    | -----                        | 1912.804.084  |
| 14 | Shim Ring               | 2    | -----                        | 1917.411.048  |
| 15 | Flange Complete         | 1    | <a href="#">H-7207-FLNG</a>  | 1832.039.287  |
| 16 | Slide Bearing           | 1    | <a href="#">H-2386-20SB</a>  | 1935.504.060  |
| 17 | Needle Bushing          | 1    | <a href="#">H-1334-63</a>    | 1933.710.150  |
| 18 | Strap Guide Front 13 mm | 1    | <a href="#">H-2386-13STG</a> | 1832.031.051  |
| 19 | Counter Sunk Screw Torx | 2    | <a href="#">H-7317</a>       | 1912.204.064  |
| 20 | Cam Disk                | 1    | <a href="#">H-7311</a>       | 1832.039.268  |
| 21 | Planet Gear             | 3    | <a href="#">H-2385-PLANT</a> | 1821.060.014  |
| 22 | Tension Wheel           | 1    | <a href="#">H-7338</a>       | 1821.047.031  |
| 23 | Rocker Complete         | 1    | <a href="#">H-7207-ROCKQ</a> | 1832.031.110  |
| 24 | Tooth plate             | 1    | <a href="#">H-7341</a>       | 1821.048.025  |
| 25 | Pan Head Screw          | 1    | <a href="#">H-7328</a>       | 1832.039.285  |
| 26 | Strap Guide Front 13 mm | 1    | <a href="#">H-7337</a>       | 1832.031.116  |
| 27 | Clutch Shaft            | 1    | <a href="#">H-7207-CS</a>    | 1832.039.263  |
| 28 | Threaded Bushing        | 1    | <a href="#">H-7207-TB</a>    | 1832.039.266  |
| 29 | Wrap Spring             | 1    | <a href="#">H-7389</a>       | 1821.012.037  |
| 30 | Flanged Bushing         | 1    | <a href="#">H-2386-SRING</a> | 1821.020.192  |
| 31 | Bearing Bolt            | 1    | <a href="#">H-7207-BB</a>    | 1832.039.267  |
| 32 | Slide Bearing           | 1    | <a href="#">H-7207-SB</a>    | 1935.505.050  |
| 33 | Shim Ring               | 1    | -----                        | 1917.411.083  |
| 34 | Bolt                    | 1    | -----                        | 1832.039.262  |
| 35 | Blocking Lever          | 1    | <a href="#">H-7211-BL</a>    | 1832.031.108  |
| 36 | Retaining Ring          | 2    | <a href="#">H-2386-RRING</a> | 1920.108.102  |
| 37 | Blocking Roller         | 1    | -----                        | 1832.039.265  |
| 38 | Bolt                    | 1    | <a href="#">H-2385-BLT38</a> | 1832.022.186  |
| 39 | Shim Ring               | 3    | <a href="#">H-7336</a>       | 1917.411.052  |
| 40 | Reset Lever Complete    | 1    | <a href="#">H-7207-40</a>    | 1832.031.124  |

**AUTOMATIC SEALLESS  
COMBO STRAPPING TOOL**

1-800-295-5510

uline.com

| #  | DESCRIPTION                | QTY. | ULINE PART NO.               | MFG. PART NO. |
|----|----------------------------|------|------------------------------|---------------|
| 41 | Retaining Ring             | 3    | <a href="#">H-2385RRING2</a> | 1920.104.072  |
| 42 | Support                    | 1    | <a href="#">H-7207-42Q</a>   | 1832.031.115  |
| 43 | Sleeve                     | 1    | -----                        | 1832.022.272  |
| 44 | Compression Spring         | 1    | <a href="#">H-7314</a>       | 1821.010.144  |
| 45 | Ball                       | 1    | <a href="#">H-7394</a>       | 1925.010.802  |
| 46 | Compression Spring         | 1    | <a href="#">H-7313</a>       | 1821.010.143  |
| 47 | Pusher                     | 1    | <a href="#">H-7332</a>       | 1821.033.031  |
| 48 | Set Screw                  | 1    | <a href="#">H-7207-SS48Q</a> | 1910.412.084  |
| 49 | Set Screw                  | 1    | <a href="#">H-2385-SSCRW</a> | 1910.408.064  |
| 50 | Counter Sunk Screw Torx    | 1    | -----                        | 1912.204.054  |
| 51 | Rocker Lever Complete      | 1    | <a href="#">H-7334</a>       | 1832.031.105  |
| 52 | Toothed Segment            | 1    | <a href="#">H-7211-THTSQ</a> | 1832.039.288  |
| 53 | Motor                      | 1    | <a href="#">H-7312</a>       | 1821.140.104  |
| 54 | Motor Support Complete     | 1    | <a href="#">H-7207-54</a>    | 1832.022.269  |
| 55 | Counter Sunk Screw         | 6    | <a href="#">H-1274-CSCRW</a> | 1912.203.086  |
| 56 | Shim Ring                  | 3    | <a href="#">H-2385-SPDSK</a> | 1917.411.041  |
| 57 | Shoulder Screw             | 2    | <a href="#">H-2386-62</a>    | 1821.027.037  |
| 58 | Cylinder Head Screw        | 1    | -----                        | 1911.204.304  |
| 59 | Cable Harness Rocker Lever | 1    | <a href="#">H-8071</a>       | 1821.151.050  |
| 60 | Cylinder Head Screw        | 2    | -----                        | 1911.003.104  |
| 61 | Cable Harness Housing      | 1    | <a href="#">H-7363</a>       | 1821.151.052  |
| 62 | Cable Harness Welding Unit | 1    | <a href="#">H-7386</a>       | 1821.151.054  |
| 63 | Bearing – 30 x 37 x 4 mm   | 1    | <a href="#">H-2386-BEAR</a>  | 1930.170.302  |
| 64 | Excentric Cam              | 1    | <a href="#">H-7319</a>       | 1832.022.247  |
| 65 | Planet Gear                | 3    | <a href="#">H-2385PWHEEL</a> | 1821.060.023  |
| 66 | Spacer Disc                | 1    | <a href="#">H-7211-SD</a>    | 1917.401.122  |
| 67 | Planet Carrier Complete    | 1    | <a href="#">H-2385-66</a>    | 1832.039.203  |
| 68 | Planet Gear                | 6    | <a href="#">H-2385-PWHL</a>  | 1821.060.024  |
| 69 | Shim Ring                  | 2    | <a href="#">H-2386-72</a>    | 1917.411.062  |
| 70 | Planet Carrier Complete    | 1    | <a href="#">H-2385-69</a>    | 1832.039.201  |
| 71 | Ring                       | 1    | -----                        | 1821.020.151  |
| 72 | Bearing Support            | 1    | <a href="#">H-7211-BST</a>   | 1832.022.248  |
| 73 | Belt Pulley Mounted        | 1    | <a href="#">H-7308</a>       | 1832.033.018  |
| 74 | Ball Bearing               | 2    | <a href="#">H-1465-BB54</a>  | 1930.180.152  |
| 75 | Bevel Pinion Complete      | 1    | <a href="#">H-7309</a>       | 1821.061.037  |
| 76 | Retaining Ring             | 1    | <a href="#">H-8113</a>       | 1920.215.102  |
| 77 | Shift Lever Complete       | 1    | <a href="#">H-7211-SHFTQ</a> | 1832.022.249  |
| 78 | Yoke Spring                | 1    | <a href="#">H-7390</a>       | 1821.012.038  |
| 79 | Bolt                       | 1    | <a href="#">H-7211-142Q</a>  | 1821.031.060  |
| 80 | Bolt                       | 1    | <a href="#">H-2385-BOLI</a>  | 1832.022.163  |

**ULINE** H-7207  
**AUTOMATIC SEALLESS  
COMBO STRAPPING TOOL**

1-800-295-5510  
uline.com

| #   | DESCRIPTION                | QTY. | ULINE PART NO.               | MFG. PART NO. |
|-----|----------------------------|------|------------------------------|---------------|
| 81  | Bolt                       | 1    | <a href="#">H-7310</a>       | 1821.035.011  |
| 82  | Spring Assembly            | 1    | <a href="#">H-8941</a>       | 1832.022.254  |
| 83  | Cylinder Head Screw Torx   | 3    | <a href="#">H-7212-83</a>    | 1821.027.063  |
| 84  | Swivel Bearing             | 1    | <a href="#">H-7207-SWB</a>   | 1832.022.230  |
| 85  | Ball Bearing               | 2    | <a href="#">H-7395</a>       | 1930.100.072  |
| 86  | Eccentric Shaft            | 1    | <a href="#">H-7320</a>       | 1832.022.240  |
| 87  | Needle Bearing             | 1    | <a href="#">H-2386-NB</a>    | 1933.210.120  |
| 88  | Welding Shoe               | 1    | <a href="#">H-7344</a>       | 1832.022.257  |
| 89  | Ball                       | 4    | <a href="#">H-2385-93</a>    | 1925.010.502  |
| 90  | Supporting Disk            | 1    | <a href="#">H-2385-94</a>    | 1832.022.165  |
| 91  | Pinion                     | 1    | <a href="#">H-2385-PINON</a> | 1832.022.139  |
| 92  | Toothed Belt               | 1    | <a href="#">H-2385-TBELT</a> | 1821.067.011  |
| 93  | Washer                     | 1    | -----                        | 1821.020.147  |
| 94  | Cylinder Head Screw        | 1    | <a href="#">H-2386-102CS</a> | 1911.304.084  |
| 95  | Bolt                       | 1    | -----                        | 1832.022.273  |
| 96  | Knife                      | 1    | <a href="#">H-7324</a>       | 1821.209.035  |
| 97  | Flanged Bushing            | 1    | <a href="#">H-7321</a>       | 1832.022.238  |
| 98  | Compression Spring         | 2    | <a href="#">H-7316</a>       | 1821.010.141  |
| 99  | Compression Spring         | 1    | <a href="#">H-7396</a>       | 1821.010.020  |
| 100 | Compression Spring         | 1    | <a href="#">H-7391</a>       | 1821.010.142  |
| 101 | Lever Strap Guide Complete | 1    | <a href="#">H-7207STRAPQ</a> | 1832.042.065  |
| 102 | Side Cover                 | 1    | <a href="#">H-7335</a>       | 1832.011.346  |
| 103 | Bearing Bolt               | 1    | <a href="#">H-2385-106</a>   | 1821.035.007  |
| 104 | Strap Guide Rear 16 mm     | 1    | <a href="#">H-2385-107</a>   | 1832.041.018  |
| 105 | Strap Guide Rear 13 mm     | 1    | <a href="#">H-2385-019</a>   | 1832.041.019  |
| 106 | Strap Guide Rear 13 mm     | 1    | <a href="#">H-2385-109</a>   | 1832.042.043  |
| 107 | Cylinder Head Screw Torx   | 1    | <a href="#">H-7329</a>       | 1913.904.064  |
| 108 | Cylinder Head Screw Torx   | 1    | <a href="#">H-7207-108</a>   | 1913.904.204  |
| 109 | Cylinder Head Screw Torx   | 1    | <a href="#">H-7318</a>       | 1913.904.125  |
| 110 | Housing Parts Set          | 1    | <a href="#">H-7322</a>       | 1832.011.300  |
| 111 | Type Plate                 | 1    | <a href="#">H-7342</a>       | 1821.091.085  |
| 112 | Name Plate                 | 1    | <a href="#">H-2385-NMPLT</a> | 1821.090.021  |
| 113 | Warning Label              | 1    | <a href="#">H-7207-LABL</a>  | 1821.092.010  |
| 114 | Mounting Support Connector | 1    | <a href="#">H-7207-MSCQ</a>  | 1821.163.235  |
| 115 | Pan Head PT-Screw Torx     | 12   | <a href="#">H-7327</a>       | 1914.840.162  |
| 116 | Pan Head PT-Screw Torx     | 3    | -----                        | 1914.830.088  |
| 117 | Actuator                   | 1    | <a href="#">H-7397</a>       | 1832.011.329  |
| 118 | Compression Spring – 1¾"   | 1    | <a href="#">H-7392</a>       | 1821.010.149  |
| 119 | Mandatory Sign             | 1    | -----                        | 1821.091.094  |
| 120 | Protection Plate           | 1    | <a href="#">H-2385-PUCK</a>  | 1832.011.181  |

**AUTOMATIC SEALLESS  
COMBO STRAPPING TOOL**

1-800-295-5510

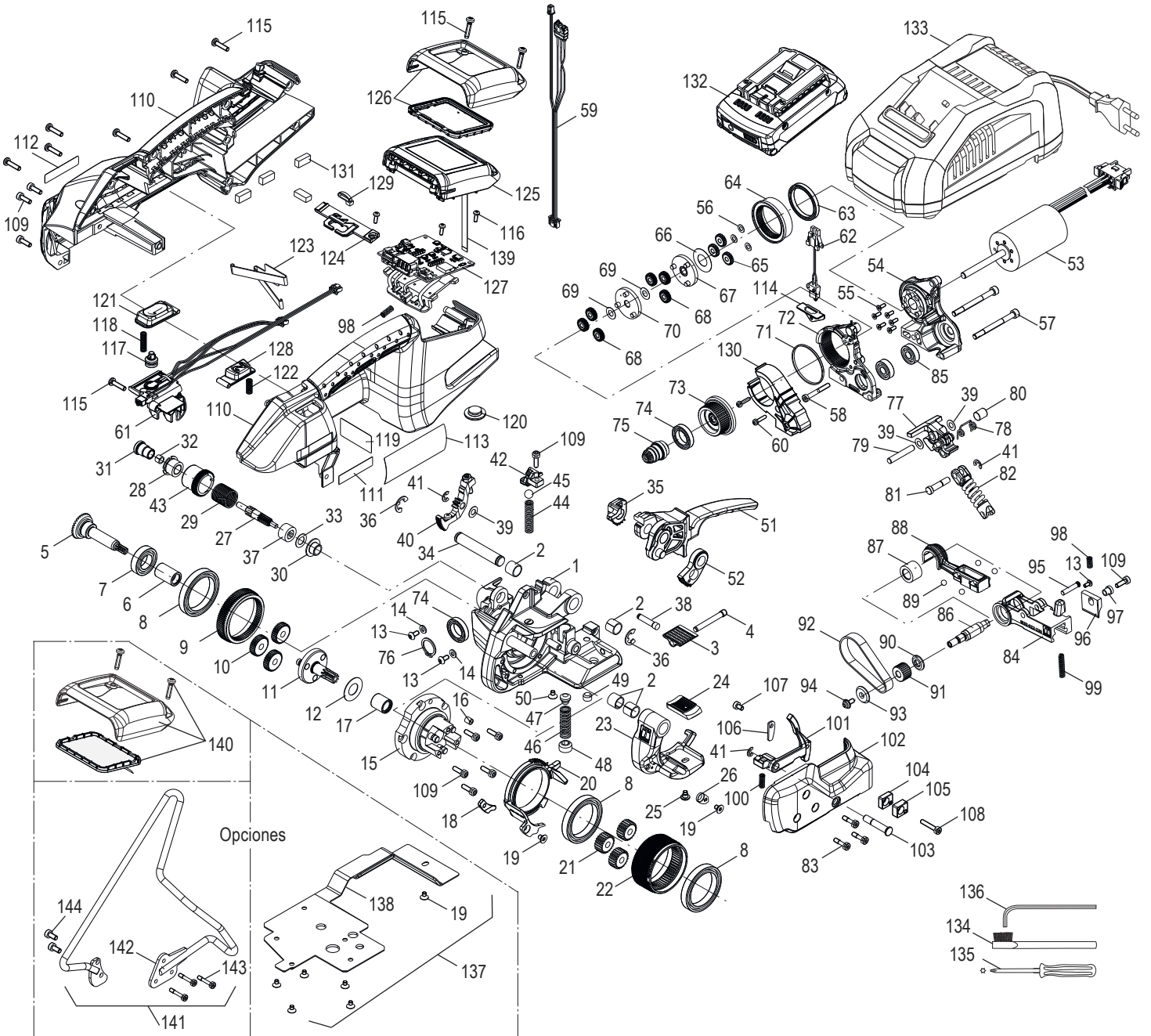
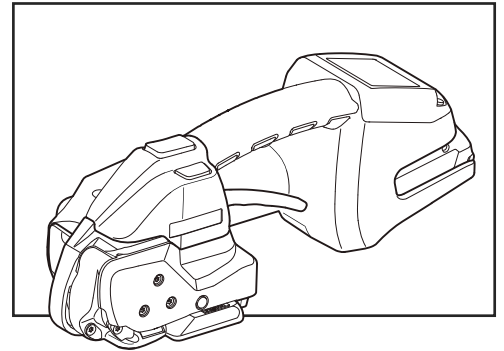
uline.com

| #   | DESCRIPTION                         | QTY. | ULINE PART NO.               | MFG. PART NO. |
|-----|-------------------------------------|------|------------------------------|---------------|
| 121 | Switch Button                       | 1    | <a href="#">H-7211-TB</a>    | 1832.011.328  |
| 122 | Compression Spring                  | 1    | <a href="#">H-7393</a>       | 1821.010.054  |
| 123 | Leaf Spring                         | 1    | <a href="#">H-7207-BLS</a>   | 1821.013.006  |
| 124 | Contact Plate Clamp                 | 1    | <a href="#">H-7211-CPC</a>   | 1832.011.319  |
| 125 | LCD Operating Unit EU/US            | 1    | <a href="#">H-7211-DISP</a>  | 1832.011.317  |
| 126 | Protection F Cover Set              | 1    | <a href="#">H-7207-FRAME</a> | 1832.011.399  |
| 127 | Printed Circuit Board Soldered      | 1    | <a href="#">H-7207-127</a>   | 1821.152.111  |
| 128 | Welding Button                      | 1    | <a href="#">H-7207-WELDQ</a> | 1832.011.322  |
| 129 | Cable Tie                           | 1    | -----                        | -----         |
| 130 | Belt Cover                          | 1    | <a href="#">H-7211-BC</a>    | 1832.022.259  |
| 131 | Cable Clamp                         | 4    | <a href="#">H-7387</a>       | 1821.151.056  |
| 132 | Battery 18V/2.0Ah Li-Ion US BAT 612 | 1    | <a href="#">H-7207-BATT</a>  | 2187.012      |
| 133 | Battery Charger BC 1880 CV US       | 1    | <a href="#">H-7213</a>       | 2188.021      |
| 134 | Wire Brush                          | 1    | <a href="#">H-7212-134</a>   | 1821.901.004  |
| 135 | Screwdriver Torx T20                | 1    | <a href="#">H-1067-WRNCH</a> | 1990.102.020  |
| 136 | Offset Screwdriver                  | 1    | <a href="#">H-7211-OFSDQ</a> | 1821.901.007  |
| 137 | Protection Plate Set                | 1    | <a href="#">H-7207-137</a>   | 2189.010      |
| 138 | Protection Plate                    | 1    | -----                        | 1832.011.351  |
| 139 | FCC Cable                           | 1    | <a href="#">H-7388</a>       | 1821.163.233  |
| 140 | Protection Cover Set                | 1    | <a href="#">H-7331</a>       | 2189.011      |
| 141 | Optional: Suspension Bow Set        | 1    | <a href="#">H-7212-SBS</a>   | 2189.012      |
| 142 | Suspension Bow Complete             | 1    | -----                        | 1832.061.050  |
| 143 | Cylinder Head Screw Torx            | 3    | -----                        | 1821.027.064  |
| 144 | Cylinder Head Screw Torx            | 2    | -----                        | 1913.905.103  |
| 145 | Screwdriver Torx X25                | 1    | -----                        | 1821.901.011  |

**ULINE H-7207**

**HERRAMIENTA AUTOMÁTICA  
COMBINADA PARA UNIÓN  
SIN SELLO**

**800-295-5510**  
uline.mx



**HERRAMIENTA AUTOMÁTICA  
COMBINADA PARA UNIÓN  
SIN SELLO**

| #  | DESCRIPCIÓN                      | CANT. | NO. DE PARTE DE ULINE        | NO. DE PARTE DEL FABRICANTE |
|----|----------------------------------|-------|------------------------------|-----------------------------|
| 1  | Placa de la Base Completa        | 1     | <a href="#">H-7306</a>       | 1832.011.284                |
| 2  | Balero Deslizante                | 4     | <a href="#">H-7211-2SBQ</a>  | 1935.510.100                |
| 3  | Base Dentada (Fondo)             | 1     | <a href="#">H-2385-THBTM</a> | 1832.022.109                |
| 4  | Tornillo de Ajuste               | 1     | <a href="#">H-2386-SETSW</a> | 1832.022.055                |
| 5  | Rueda de Corona y Piñón          | 1     | <a href="#">H-2385-BVWHL</a> | 1821.061.034                |
| 6  | Casquillo de Marcha Libre        | 1     | -----                        | 1926.502.100                |
| 7  | Balero de Balines                | 1     | <a href="#">H-7207-7BEAR</a> | 1930.190.154                |
| 8  | Balero de Balines                | 3     | <a href="#">H-2385-BEAR</a>  | 1930.180.356                |
| 9  | Engranaje de Bloqueo             | 1     | <a href="#">H-2385-BWHL</a>  | 1832.039.211                |
| 10 | Engranaje Planetario             | 3     | <a href="#">H-2385-60016</a> | 1821.060.016                |
| 11 | Portaplanetas Completo           | 1     | <a href="#">H-2385-PGEAR</a> | 1832.039.165                |
| 12 | Rondana Espaciadora              | 1     | -----                        | 1917.401.125                |
| 13 | Tornillo de Cabeza Plana         | 3     | -----                        | 1912.804.084                |
| 14 | Anillo para Tope                 | 2     | -----                        | 1917.411.048                |
| 15 | Reborde Completo                 | 1     | <a href="#">H-7207-FLNG</a>  | 1832.039.287                |
| 16 | Balero Deslizante                | 1     | <a href="#">H-2386-20SB</a>  | 1935.504.060                |
| 17 | Casquillo Fino                   | 1     | <a href="#">H-1334-63</a>    | 1933.710.150                |
| 18 | Guía Frontal para Fleje de 13 mm | 1     | <a href="#">H-2386-13STG</a> | 1832.031.051                |
| 19 | Tornillo Avellanado Torx         | 2     | <a href="#">H-7317</a>       | 1912.204.064                |
| 20 | Disco de Levas                   | 1     | <a href="#">H-7311</a>       | 1832.039.268                |
| 21 | Engranaje Planetario             | 3     | <a href="#">H-2385-PLANT</a> | 1821.060.014                |
| 22 | Rueda de Tensión                 | 1     | <a href="#">H-7338</a>       | 1821.047.031                |
| 23 | Balanceo Completo                | 1     | <a href="#">H-7207-ROCKQ</a> | 1832.031.110                |
| 24 | Placa Dentada                    | 1     | <a href="#">H-7341</a>       | 1821.048.025                |
| 25 | Tornillo de Cabeza Plana         | 1     | <a href="#">H-7328</a>       | 1832.039.285                |
| 26 | Guía Frontal para Fleje de 13 mm | 1     | <a href="#">H-7337</a>       | 1832.031.116                |
| 27 | Eje del Embrague                 | 1     | <a href="#">H-7207-CS</a>    | 1832.039.263                |
| 28 | Casquillo Roscado                | 1     | <a href="#">H-7207-TB</a>    | 1832.039.266                |
| 29 | Cubierta del Resorte             | 1     | <a href="#">H-7389</a>       | 1821.012.037                |
| 30 | Casquillo con Brida              | 1     | <a href="#">H-2386-SRING</a> | 1821.020.192                |
| 31 | Perno de Balero                  | 1     | <a href="#">H-7207-BB</a>    | 1832.039.267                |
| 32 | Balero Deslizante                | 1     | <a href="#">H-7207-SB</a>    | 1935.505.050                |
| 33 | Anillo para Tope                 | 1     | -----                        | 1917.411.083                |
| 34 | Perno                            | 1     | -----                        | 1832.039.262                |
| 35 | Palanca de Bloqueo               | 1     | <a href="#">H-7211-BL</a>    | 1832.031.108                |
| 36 | Anillo de Retención              | 2     | <a href="#">H-2386-RRING</a> | 1920.108.102                |
| 37 | Anillo de Bloqueo                | 1     | -----                        | 1832.039.265                |
| 38 | Perno                            | 1     | <a href="#">H-2385-BLT38</a> | 1832.022.186                |
| 39 | Anillo para Tope                 | 3     | <a href="#">H-7336</a>       | 1917.411.052                |
| 40 | Palanca de Reinicio Completa     | 1     | <a href="#">H-7207-40</a>    | 1832.031.124                |

**HERRAMIENTA AUTOMÁTICA  
COMBINADA PARA UNIÓN  
SIN SELLO**

| #  | DESCRIPCIÓN                              | CANT. | NO. DE PARTE DE ULINE        | NO. DE PARTE DEL FABRICANTE |
|----|--|-------|------------------------------|-----------------------------|
| 41 | Anillo de Retención                      | 3     | <a href="#">H-2385RRING2</a> | 1920.104.072                |
| 42 | Soporte                                  | 1     | <a href="#">H-7207-42Q</a>   | 1832.031.115                |
| 43 | Funda                                    | 1     | -----                        | 1832.022.272                |
| 44 | Resorte de Compresión                    | 1     | <a href="#">H-7314</a>       | 1821.010.144                |
| 45 | Balín                                    | 1     | <a href="#">H-7394</a>       | 1925.010.802                |
| 46 | Resorte de Compresión                    | 1     | <a href="#">H-7313</a>       | 1821.010.143                |
| 47 | Empujador                                | 1     | <a href="#">H-7332</a>       | 1821.033.031                |
| 48 | Tornillo de Ajuste                       | 1     | <a href="#">H-7207-SS48Q</a> | 1910.412.084                |
| 49 | Tornillo de Ajuste                       | 1     | <a href="#">H-2385-SSCRW</a> | 1910.408.064                |
| 50 | Tornillo Avellanado Torx                 | 1     | -----                        | 1912.204.054                |
| 51 | Palanca de Balanceo Completa             | 1     | <a href="#">H-7334</a>       | 1832.031.105                |
| 52 | Segmento Dentado                         | 1     | <a href="#">H-7211-THTSQ</a> | 1832.039.288                |
| 53 | Motor                                    | 1     | <a href="#">H-7312</a>       | 1821.140.104                |
| 54 | Soporte de Motor Completo                | 1     | <a href="#">H-7207-54</a>    | 1832.022.269                |
| 55 | Tornillo Avellanado Torx                 | 6     | <a href="#">H-1274-CSCRW</a> | 1912.203.086                |
| 56 | Anillo para Tope                         | 3     | <a href="#">H-2385-SPDSK</a> | 1917.411.041                |
| 57 | Tornillo sin Cabeza                      | 2     | <a href="#">H-2386-62</a>    | 1821.027.037                |
| 58 | Tornillo con Cabeza de Cilindro          | 1     | -----                        | 1911.204.304                |
| 59 | Palanca de Balanceo para Arnés de Cables | 1     | <a href="#">H-8071</a>       | 1821.151.050                |
| 60 | Tornillo con Cabeza de Cilindro          | 2     | -----                        | 1911.003.104                |
| 61 | Cubierta para Arnés de Cables            | 1     | <a href="#">H-7363</a>       | 1821.151.052                |
| 62 | Unidad Soldada para Arnés de Cables      | 1     | <a href="#">H-7386</a>       | 1821.151.054                |
| 63 | Balero de 30 x 37 x 4 mm                 | 1     | <a href="#">H-2386-BEAR</a>  | 1930.170.302                |
| 64 | Leva Excéntrica                          | 1     | <a href="#">H-7319</a>       | 1832.022.247                |
| 65 | Engranaje Planetario                     | 3     | <a href="#">H-2385PWHEEL</a> | 1821.060.023                |
| 66 | Rondana Espaciadora                      | 1     | <a href="#">H-7211-SD</a>    | 1917.401.122                |
| 67 | Transportador de Garlopa Completo        | 1     | <a href="#">H-2385-66</a>    | 1832.039.203                |
| 68 | Engranaje Planetario                     | 6     | <a href="#">H-2385-PWHL</a>  | 1821.060.024                |
| 69 | Anillo para Tope                         | 2     | <a href="#">H-2386-72</a>    | 1917.411.062                |
| 70 | Portaplanetas Completo                   | 1     | <a href="#">H-2385-69</a>    | 1832.039.201                |
| 71 | Anillo                                   | 1     | -----                        | 1821.020.151                |
| 72 | Soporte de Rodamiento                    | 1     | <a href="#">H-7211-BST</a>   | 1832.022.248                |
| 73 | Montaje para Correa de Polea             | 1     | <a href="#">H-7308</a>       | 1832.033.018                |
| 74 | Balero de Balines                        | 2     | <a href="#">H-1465-BB54</a>  | 1930.180.152                |
| 75 | Piñón de Corona Completo                 | 1     | <a href="#">H-7309</a>       | 1821.061.037                |
| 76 | Anillo de Retención                      | 1     | <a href="#">H-8113</a>       | 1920.215.102                |
| 77 | Palanca de Cambio Completa               | 1     | <a href="#">H-7211-SHFTQ</a> | 1832.022.249                |
| 78 | Resorte de Horquilla                     | 1     | <a href="#">H-7390</a>       | 1821.012.038                |
| 79 | Perno                                    | 1     | <a href="#">H-7211-142Q</a>  | 1821.031.060                |
| 80 | Perno                                    | 1     | <a href="#">H-2385-BOLT</a>  | 1832.022.163                |

**HERRAMIENTA AUTOMÁTICA  
COMBINADA PARA UNIÓN  
SIN SELLO**

| #   | DESCRIPCIÓN                                | CANT. | NO. DE PARTE DE ULINE        | NO. DE PARTE DEL FABRICANTE |
|-----|--|-------|------------------------------|-----------------------------|
| 81  | Perno                                      | 1     | <a href="#">H-7310</a>       | 1821.035.011                |
| 82  | Ensamble del Resorte                       | 1     | <a href="#">H-8941</a>       | 1832.022.254                |
| 83  | Tornillo con Cabeza de Cilindro Torx       | 3     | <a href="#">H-7212-83</a>    | 1821.027.063                |
| 84  | Rodamiento Giratorio                       | 1     | <a href="#">H-7207-SWB</a>   | 1832.022.230                |
| 85  | Balero de Balines                          | 2     | <a href="#">H-7395</a>       | 1930.100.072                |
| 86  | Eje Excéntrico                             | 1     | <a href="#">H-7320</a>       | 1832.022.240                |
| 87  | Rodamiento de Aguja                        | 1     | <a href="#">H-2386-NB</a>    | 1933.210.120                |
| 88  | Zapata de Soldadura                        | 1     | <a href="#">H-7344</a>       | 1832.022.257                |
| 89  | Balín                                      | 4     | <a href="#">H-2385-93</a>    | 1925.010.502                |
| 90  | Disco de Soporte                           | 1     | <a href="#">H-2385-94</a>    | 1832.022.165                |
| 91  | Piñón                                      | 1     | <a href="#">H-2385-PINON</a> | 1832.022.139                |
| 92  | Banda Dentada                              | 1     | <a href="#">H-2385-TBELT</a> | 1821.067.011                |
| 93  | Rondana                                    | 1     | -----                        | 1821.020.147                |
| 94  | Tornillo con Cabeza de Cilindro            | 1     | <a href="#">H-2386-102CS</a> | 1911.304.084                |
| 95  | Perno                                      | 1     | -----                        | 1832.022.273                |
| 96  | Navaja                                     | 1     | <a href="#">H-7324</a>       | 1821.209.035                |
| 97  | Casquillo con Brida                        | 1     | <a href="#">H-7321</a>       | 1832.022.238                |
| 98  | Resorte de Compresión                      | 2     | <a href="#">H-7316</a>       | 1821.010.141                |
| 99  | Resorte de Compresión                      | 1     | <a href="#">H-7396</a>       | 1821.010.020                |
| 100 | Resorte de Compresión                      | 1     | <a href="#">H-7391</a>       | 1821.010.142                |
| 101 | Guía de la Palanca de Correa Completa      | 1     | <a href="#">H-7207STRAPQ</a> | 1832.042.065                |
| 102 | Cubierta Lateral                           | 1     | <a href="#">H-7335</a>       | 1832.011.346                |
| 103 | Perno de Balero                            | 1     | <a href="#">H-2385-106</a>   | 1821.035.007                |
| 104 | Guía Posterior para Fleje de 16 mm         | 1     | <a href="#">H-2385-107</a>   | 1832.041.018                |
| 105 | Guía Posterior para Fleje de 13 mm         | 1     | <a href="#">H-2385-019</a>   | 1832.041.019                |
| 106 | Guía Posterior para Fleje de 13 mm         | 1     | <a href="#">H-2385-109</a>   | 1832.042.043                |
| 107 | Tornillo con Cabeza de Cilindro Torx       | 1     | <a href="#">H-7329</a>       | 1913.904.064                |
| 108 | Tornillo con Cabeza de Cilindro Torx       | 1     | <a href="#">H-7207-108</a>   | 1913.904.204                |
| 109 | Tornillo con Cabeza de Cilindro Torx       | 1     | <a href="#">H-7318</a>       | 1913.904.125                |
| 110 | Set de Partes del Armazón                  | 1     | <a href="#">H-7322</a>       | 1832.011.300                |
| 111 | Placa de Tipo                              | 1     | <a href="#">H-7342</a>       | 1821.091.085                |
| 112 | Placa de Nombre                            | 1     | <a href="#">H-2385-NMPLT</a> | 1821.090.021                |
| 113 | Etiqueta de Advertencia                    | 1     | <a href="#">H-7207-LABL</a>  | 1821.092.010                |
| 114 | Conector del Soporte de Instalación        | 1     | <a href="#">H-7207-MSCQ</a>  | 1821.163.235                |
| 115 | Tornillo de Cabeza Plana PT Torx           | 12    | <a href="#">H-7327</a>       | 1914.840.162                |
| 116 | Tornillo de Cabeza Plana PT Torx           | 3     | -----                        | 1914.830.088                |
| 117 | Accionador                                 | 1     | <a href="#">H-7397</a>       | 1832.011.329                |
| 118 | Resorte de Compresión de 1 $\frac{3}{4}$ " | 1     | <a href="#">H-7392</a>       | 1821.010.149                |
| 119 | Letrero Obligatorio                        | 1     | -----                        | 1821.091.094                |
| 120 | Placa de Protección                        | 1     | <a href="#">H-2385-PUCK</a>  | 1832.011.181                |

**HERRAMIENTA AUTOMÁTICA  
COMBINADA PARA UNIÓN  
SIN SELLO**

800-295-5510

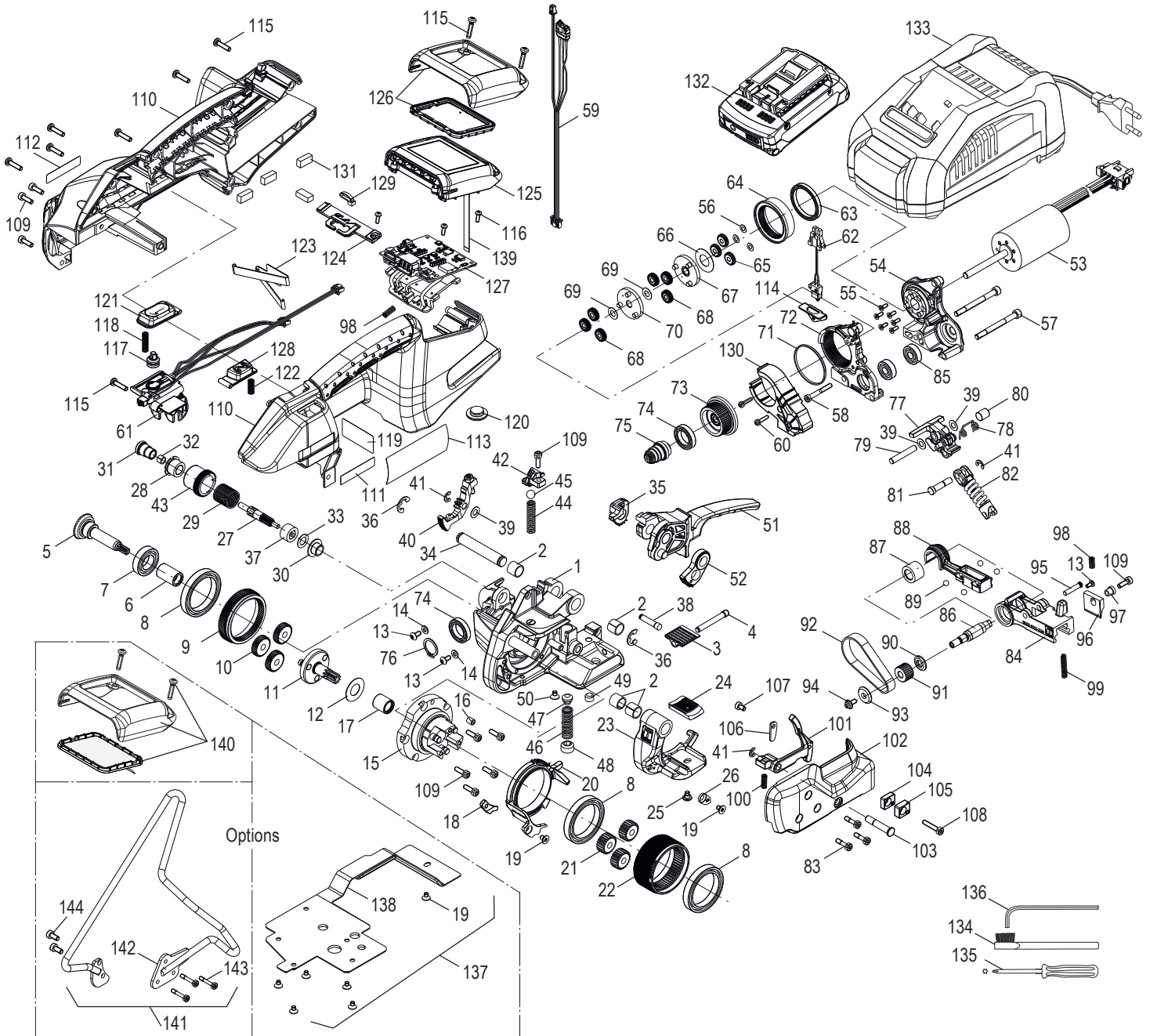
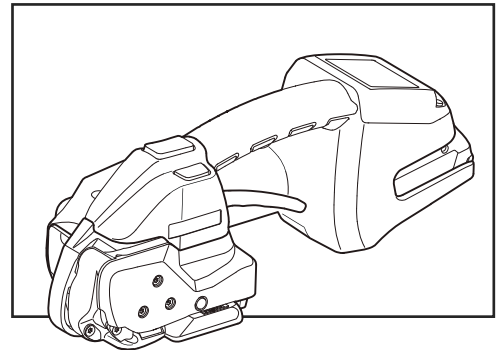
uline.mx

| #   | DESCRIPTION                               | QTY. | ULINE PART NO.               | MFG. PART NO. |
|-----|---|------|------------------------------|---------------|
| 121 | Botón del Interruptor                     | 1    | <a href="#">H-7211-TB</a>    | 1832.011.328  |
| 122 | Resorte de Compresión                     | 1    | <a href="#">H-7393</a>       | 1821.010.054  |
| 123 | Suspensión de Ballesta                    | 1    | <a href="#">H-7207-BLS</a>   | 1821.013.006  |
| 124 | Abrazadera de la Placa de Contacto        | 1    | <a href="#">H-7211-CPC</a>   | 1832.011.319  |
| 125 | Unidad Operativa LCD UE/EUA               | 1    | <a href="#">H-7211-DISP</a>  | 1832.011.317  |
| 126 | Set para Cubierta de Protección F         | 1    | <a href="#">H-7207-FRAME</a> | 1832.011.399  |
| 127 | Placa de Circuito Impreso Soldada         | 1    | <a href="#">H-7207-127</a>   | 1821.152.111  |
| 128 | Botón Soldado                             | 1    | <a href="#">H-7207-WELDQ</a> | 1832.011.322  |
| 129 | Cincho                                    | 1    | -----                        | -----         |
| 130 | Cubierta de la Banda                      | 1    | <a href="#">H-7211-BC</a>    | 1832.022.259  |
| 131 | Abrazadera del Cable                      | 4    | <a href="#">H-7387</a>       | 1821.151.056  |
| 132 | Batería de 18V/2.0Ah de Li-ion US BAT 612 | 1    | <a href="#">H-7207-BATT</a>  | 2187.012      |
| 133 | Cargador de Batería BC1880 CV US          | 1    | <a href="#">H-7213</a>       | 2188.021      |
| 134 | Cepillos de Alambre                       | 1    | <a href="#">H-7212-134</a>   | 1821.901.004  |
| 135 | Desarmador Torx T20                       | 1    | <a href="#">H-1067-WRNCH</a> | 1990.102.020  |
| 136 | Llave Hexagonal                           | 1    | <a href="#">H-7211-OFSDQ</a> | 1821.901.007  |
| 137 | Set de Placa de Protección                | 1    | <a href="#">H-7207-137</a>   | 2189.010      |
| 138 | Placa de Protección                       | 1    | -----                        | 1832.011.351  |
| 139 | Cable Plano Flexible                      | 1    | <a href="#">H-7388</a>       | 1821.163.233  |
| 140 | Set para Cubierta de Protección F         | 1    | <a href="#">H-7331</a>       | 2189.011      |
| 141 | Opcional: Set de Arco de Suspensión       | 1    | <a href="#">H-7212-SBS</a>   | 2189.012      |
| 142 | Arco de Suspensión Completo               | 1    | -----                        | 1832.061.050  |
| 143 | Tornillo con Cabeza de Cilindro Torx      | 3    | -----                        | 1821.027.064  |
| 144 | Tornillo con Cabeza de Cilindro Torx      | 2    | -----                        | 1913.905.103  |
| 145 | Desarmador Torx X25                       | 1    | -----                        | 1821.901.011  |

**ULINE H-7207**

**OUTIL DE CERCLAGE  
MULTIFONCTIONNEL  
AUTOMATIQUE SANS JOINTS**

**1 800 295-5510**  
uline.ca



**OUTIL DE CERCLAGE  
MULTIFONCTIONNEL  
AUTOMATIQUE SANS JOINTS**

| #  | DESCRIPTION                        | QTÉ | RÉF. ULINE                   | RÉF. DU FABRICANT |
|----|------------------------------------|-----|------------------------------|-------------------|
| 1  | Socle complet                      | 1   | <a href="#">H-7306</a>       | 1832.011.284      |
| 2  | Palier lisse                       | 4   | <a href="#">H-7211-2SBQ</a>  | 1935.510.100      |
| 3  | Plaque dentée (inférieure)         | 1   | <a href="#">H-2385-THBTM</a> | 1832.022.109      |
| 4  | Vis de réglage                     | 1   | <a href="#">H-2386-SETSW</a> | 1832.022.055      |
| 5  | Roue conique à pignon              | 1   | <a href="#">H-2385-BVWHL</a> | 1821.061.034      |
| 6  | Roue libre à aiguilles             | 1   | -----                        | 1926.502.100      |
| 7  | Roulement à bille                  | 1   | <a href="#">H-7207-7BEAR</a> | 1930.190.154      |
| 8  | Roulement à bille                  | 3   | <a href="#">H-2385-BEAR</a>  | 1930.180.356      |
| 9  | Mécanisme de blocage               | 1   | <a href="#">H-2385-BWHL</a>  | 1832.039.211      |
| 10 | Satellite                          | 3   | <a href="#">H-2385-60016</a> | 1821.060.016      |
| 11 | Porte-satellite complet            | 1   | <a href="#">H-2385-PGEAR</a> | 1832.039.165      |
| 12 | Disque d'entretoise                | 1   | -----                        | 1917.401.125      |
| 13 | Vis à tête cylindrique bombée      | 3   | -----                        | 1912.804.084      |
| 14 | Bague d'ajustage                   | 2   | -----                        | 1917.411.048      |
| 15 | Bride complète                     | 1   | <a href="#">H-7207-FLNG</a>  | 1832.039.287      |
| 16 | Palier lisse                       | 1   | <a href="#">H-2386-20SB</a>  | 1935.504.060      |
| 17 | Douille d'aiguille                 | 1   | <a href="#">H-1334-63</a>    | 1933.710.150      |
| 18 | Guide de feuillard avant de 13 mm  | 1   | <a href="#">H-2386-13STG</a> | 1832.031.051      |
| 19 | Vis à tête creuse Torx             | 2   | <a href="#">H-7317</a>       | 1912.204.064      |
| 20 | Disque à cames                     | 1   | <a href="#">H-7311</a>       | 1832.039.268      |
| 21 | Satellite                          | 3   | <a href="#">H-2385-PLANT</a> | 1821.060.014      |
| 22 | Roue de serrage                    | 1   | <a href="#">H-7338</a>       | 1821.047.031      |
| 23 | Culbuteur complet                  | 1   | <a href="#">H-7207-ROCKQ</a> | 1832.031.110      |
| 24 | Plaque dentelée                    | 1   | <a href="#">H-7341</a>       | 1821.048.025      |
| 25 | Vis à tête cylindrique bombée      | 1   | <a href="#">H-7328</a>       | 1832.039.285      |
| 26 | Guide de feuillard avant de 13 mm  | 1   | <a href="#">H-7337</a>       | 1832.031.116      |
| 27 | Arbre d'embrayage                  | 1   | <a href="#">H-7207-CS</a>    | 1832.039.263      |
| 28 | Bague filetée                      | 1   | <a href="#">H-7207-TB</a>    | 1832.039.266      |
| 29 | Ressort enroulé                    | 1   | <a href="#">H-7389</a>       | 1821.012.037      |
| 30 | Manchon à bride                    | 1   | <a href="#">H-2386-SRING</a> | 1821.020.192      |
| 31 | Boulon d'appui                     | 1   | <a href="#">H-7207-BB</a>    | 1832.039.267      |
| 32 | Palier lisse                       | 1   | <a href="#">H-7207-SB</a>    | 1935.505.050      |
| 33 | Bague d'ajustage                   | 1   | -----                        | 1917.411.083      |
| 34 | Boulon                             | 1   | -----                        | 1832.039.262      |
| 35 | Levier de blocage                  | 1   | <a href="#">H-7211-BL</a>    | 1832.031.108      |
| 36 | Bague de retenue                   | 2   | <a href="#">H-2386-RRING</a> | 1920.108.102      |
| 37 | Rouleau de blocage                 | 1   | -----                        | 1832.039.265      |
| 38 | Boulon                             | 1   | <a href="#">H-2385-BLT38</a> | 1832.022.186      |
| 39 | Bague d'ajustage                   | 3   | <a href="#">H-7336</a>       | 1917.411.052      |
| 40 | Levier de repositionnement complet | 1   | <a href="#">H-7207-40</a>    | 1832.031.124      |

**OUTIL DE CERCLAGE  
MULTIFONCTIONNEL  
AUTOMATIQUE SANS JOINTS**

| #  | DESCRIPTION                                | QTÉ | RÉF. ULINE                   | RÉF. DU FABRICANT |
|----|--|-----|------------------------------|-------------------|
| 41 | Anneau de retenue                          | 3   | <a href="#">H-2385RRING2</a> | 1920.104.072      |
| 42 | Support                                    | 1   | <a href="#">H-7207-42Q</a>   | 1832.031.115      |
| 43 | Manche                                     | 1   | -----                        | 1832.022.272      |
| 44 | Ressort de compression                     | 1   | <a href="#">H-7314</a>       | 1821.010.144      |
| 45 | Bille                                      | 1   | <a href="#">H-7394</a>       | 1925.010.802      |
| 46 | Ressort de compression                     | 1   | <a href="#">H-7313</a>       | 1821.010.143      |
| 47 | Poussoir                                   | 1   | <a href="#">H-7332</a>       | 1821.033.031      |
| 48 | Vis de réglage                             | 1   | <a href="#">H-7207-SS48Q</a> | 1910.412.084      |
| 49 | Vis de réglage                             | 1   | <a href="#">H-2385-SSCRW</a> | 1910.408.064      |
| 50 | Vis à tête creuse Torx                     | 1   | -----                        | 1912.204.054      |
| 51 | Levier de culbuteur complet                | 1   | <a href="#">H-7334</a>       | 1832.031.105      |
| 52 | Segment denté                              | 1   | <a href="#">H-7211-THTSQ</a> | 1832.039.288      |
| 53 | Moteur                                     | 1   | <a href="#">H-7312</a>       | 1821.140.104      |
| 54 | Support de moteur complet                  | 1   | <a href="#">H-7207-54</a>    | 1832.022.269      |
| 55 | Vis à tête creuse                          | 6   | <a href="#">H-1274-CSCRW</a> | 1912.203.086      |
| 56 | Bague d'ajustage                           | 3   | <a href="#">H-2385-SPDSK</a> | 1917.411.041      |
| 57 | Vis à épaulement                           | 2   | <a href="#">H-2386-62</a>    | 1821.027.037      |
| 58 | Vis à tête cylindrique                     | 1   | -----                        | 1911.204.304      |
| 59 | Faisceau de câblage de levier de culbuteur | 1   | <a href="#">H-8071</a>       | 1821.151.050      |
| 60 | Vis à tête cylindrique                     | 2   | -----                        | 1911.003.104      |
| 61 | Boîtier de faisceau de câblage             | 1   | <a href="#">H-7363</a>       | 1821.151.052      |
| 62 | Unité de soudure du faisceau de câblage    | 1   | <a href="#">H-7386</a>       | 1821.151.054      |
| 63 | Roulement de 30 x 37 x 4 mm                | 1   | <a href="#">H-2386-BEAR</a>  | 1930.170.302      |
| 64 | Came à excentrique                         | 1   | <a href="#">H-7319</a>       | 1832.022.247      |
| 65 | Satellite                                  | 3   | <a href="#">H-2385PWHEEL</a> | 1821.060.023      |
| 66 | Disque d'entretoise                        | 1   | <a href="#">H-7211-SD</a>    | 1917.401.122      |
| 67 | Porte-satellite complet                    | 1   | <a href="#">H-2385-66</a>    | 1832.039.203      |
| 68 | Satellite                                  | 6   | <a href="#">H-2385-PWHL</a>  | 1821.060.024      |
| 69 | Bague d'ajustage                           | 2   | <a href="#">H-2386-72</a>    | 1917.411.062      |
| 70 | Porte-satellite complet                    | 1   | <a href="#">H-2385-69</a>    | 1832.039.201      |
| 71 | Bague                                      | 1   | -----                        | 1821.020.151      |
| 72 | Support d'appui                            | 1   | <a href="#">H-7211-BST</a>   | 1832.022.248      |
| 73 | Galet de courroie montée                   | 1   | <a href="#">H-7308</a>       | 1832.033.018      |
| 74 | Roulement à bille                          | 2   | <a href="#">H-1465-BB54</a>  | 1930.180.152      |
| 75 | Pignon conique complet                     | 1   | <a href="#">H-7309</a>       | 1821.061.037      |
| 76 | Anneau de retenue                          | 1   | <a href="#">H-8113</a>       | 1920.215.102      |
| 77 | Levier sélecteur complet                   | 1   | <a href="#">H-7211-SHFTQ</a> | 1832.022.249      |
| 78 | Ressort de bascule                         | 1   | <a href="#">H-7390</a>       | 1821.012.038      |
| 79 | Boulon                                     | 1   | <a href="#">H-7211-142Q</a>  | 1821.031.060      |
| 80 | Boulon                                     | 1   | <a href="#">H-2385-BOLI</a>  | 1832.022.163      |

**OUTIL DE CERCLAGE  
MULTIFONCTIONNEL  
AUTOMATIQUE SANS JOINTS**

| #   | DESCRIPTION                         | QTÉ | RÉF. ULINE                   | RÉF. DU FABRICANT |
|-----|-------------------------------------|-----|------------------------------|-------------------|
| 81  | Boulon                              | 1   | <a href="#">H-7310</a>       | 1821.035.011      |
| 82  | Ensemble de ressort                 | 1   | <a href="#">H-8941</a>       | 1832.022.254      |
| 83  | Vis à tête cylindrique Torx         | 3   | <a href="#">H-7212-83</a>    | 1821.027.063      |
| 84  | Palier à rotule                     | 1   | <a href="#">H-7207-SWB</a>   | 1832.022.230      |
| 85  | Roulement à bille                   | 2   | <a href="#">H-7395</a>       | 1930.100.072      |
| 86  | Arbre à excentrique                 | 1   | <a href="#">H-7320</a>       | 1832.022.240      |
| 87  | Roulement à aiguilles               | 1   | <a href="#">H-2386-NB</a>    | 1933.210.120      |
| 88  | Semelle de soudage                  | 1   | <a href="#">H-7344</a>       | 1832.022.257      |
| 89  | Bille                               | 4   | <a href="#">H-2385-93</a>    | 1925.010.502      |
| 90  | Disque-support                      | 1   | <a href="#">H-2385-94</a>    | 1832.022.165      |
| 91  | Pignon                              | 1   | <a href="#">H-2385-PINON</a> | 1832.022.139      |
| 92  | Courroie crantée                    | 1   | <a href="#">H-2385-TBELT</a> | 1821.067.011      |
| 93  | Rondelle                            | 1   | -----                        | 1821.020.147      |
| 94  | Vis à tête cylindrique              | 1   | <a href="#">H-2386-102CS</a> | 1911.304.084      |
| 95  | Boulon                              | 1   | -----                        | 1832.022.273      |
| 96  | Lame de coupe                       | 1   | <a href="#">H-7324</a>       | 1821.209.035      |
| 97  | Manchon à bride                     | 1   | <a href="#">H-7321</a>       | 1832.022.238      |
| 98  | Ressort de compression              | 2   | <a href="#">H-7316</a>       | 1821.010.141      |
| 99  | Ressort de compression              | 1   | <a href="#">H-7396</a>       | 1821.010.020      |
| 100 | Ressort de compression              | 1   | <a href="#">H-7391</a>       | 1821.010.142      |
| 101 | Levier de guide de feillard complet | 1   | <a href="#">H-7207STRAPQ</a> | 1832.042.065      |
| 102 | Couvercle latéral                   | 1   | <a href="#">H-7335</a>       | 1832.011.346      |
| 103 | Boulon d'appui                      | 1   | <a href="#">H-2385-106</a>   | 1821.035.007      |
| 104 | Guide de feillard arrière de 16 mm  | 1   | <a href="#">H-2385-107</a>   | 1832.041.018      |
| 105 | Guide de feillard arrière de 13 mm  | 1   | <a href="#">H-2385-019</a>   | 1832.041.019      |
| 106 | Guide de feillard arrière de 13 mm  | 1   | <a href="#">H-2385-109</a>   | 1832.042.043      |
| 107 | Vis à tête cylindrique Torx         | 1   | <a href="#">H-7329</a>       | 1913.904.064      |
| 108 | Vis à tête cylindrique Torx         | 1   | <a href="#">H-7207-108</a>   | 1913.904.204      |
| 109 | Vis à tête cylindrique Torx         | 1   | <a href="#">H-7318</a>       | 1913.904.125      |
| 110 | Ensemble de pièces du boîtier       | 1   | <a href="#">H-7322</a>       | 1832.011.300      |
| 111 | Plaque signalétique                 | 1   | <a href="#">H-7342</a>       | 1821.091.085      |
| 112 | Plaque d'identification             | 1   | <a href="#">H-2385-NMPLT</a> | 1821.090.021      |
| 113 | Étiquette d'avertissement           | 1   | <a href="#">H-7207-LABL</a>  | 1821.092.010      |
| 114 | Connecteur de support de montage    | 1   | <a href="#">H-7207-MSQC</a>  | 1821.163.235      |
| 115 | Vis à tête cylindrique bombée Torx  | 12  | <a href="#">H-7327</a>       | 1914.840.162      |
| 116 | Vis à tête cylindrique bombée Torx  | 3   | -----                        | 1914.830.088      |
| 117 | Actionneur                          | 1   | <a href="#">H-7397</a>       | 1832.011.329      |
| 118 | Ressort de compression de 1 3/4 po  | 1   | <a href="#">H-7392</a>       | 1821.010.149      |
| 119 | Étiquette de prescription           | 1   | -----                        | 1821.091.094      |
| 120 | Plaque de protection                | 1   | <a href="#">H-2385-PUCK</a>  | 1832.011.181      |

**OUTIL DE CERCLAGE  
MULTIFONCTIONNEL  
AUTOMATIQUE SANS JOINTS**

1 800 295-5510

uline.ca

| #   | DESCRIPTION                                 | QTÉ | RÉF. ULINE                   | RÉF. DU FABRICANT |
|-----|---|-----|------------------------------|-------------------|
| 121 | Commutateur                                 | 1   | <a href="#">H-7211-TB</a>    | 1832.011.328      |
| 122 | Ressort de compression                      | 1   | <a href="#">H-7393</a>       | 1821.010.054      |
| 123 | Ressort à lames                             | 1   | <a href="#">H-7207-BLS</a>   | 1821.013.006      |
| 124 | Bride de serrage pour plaque de contact     | 1   | <a href="#">H-7211-CPC</a>   | 1832.011.319      |
| 125 | Unité de commande à cristaux liquides EU/US | 1   | <a href="#">H-7211-DISP</a>  | 1832.011.317      |
| 126 | Ensemble de couvercle de protection         | 1   | <a href="#">H-7207-FRAME</a> | 1832.011.399      |
| 127 | Carte de circuit imprimé soudée             | 1   | <a href="#">H-7207-127</a>   | 1821.152.111      |
| 128 | Bouton de soudage                           | 1   | <a href="#">H-7207-WELDQ</a> | 1832.011.322      |
| 129 | Attache-câbles                              | 1   | -----                        | -----             |
| 130 | Protecteur de courroie                      | 1   | <a href="#">H-7211-BC</a>    | 1832.022.259      |
| 131 | Serre-câble                                 | 4   | <a href="#">H-7387</a>       | 1821.151.056      |
| 132 | Batterie li-ion de 18 V, 2,0 Ah US BAT 612  | 1   | <a href="#">H-7207-BATT</a>  | 2187.012          |
| 133 | Chargeur de batterie BC 1880 CV US          | 1   | <a href="#">H-7213</a>       | 2188.021          |
| 134 | Brosse métallique                           | 1   | <a href="#">H-7212-134</a>   | 1821.901.004      |
| 135 | Tournevis Torx T20                          | 1   | <a href="#">H-1067-WRNCH</a> | 1990.102.020      |
| 136 | Tournevis coudé                             | 1   | <a href="#">H-7211-OFSDQ</a> | 1821.901.007      |
| 137 | Ensemble de plaque de protection            | 1   | <a href="#">H-7207-137</a>   | 2189.010          |
| 138 | Plaque de protection                        | 1   | -----                        | 1832.011.351      |
| 139 | Câble USB                                   | 1   | <a href="#">H-7388</a>       | 1821.163.233      |
| 140 | Ensemble de couvercle de protection         | 1   | <a href="#">H-7331</a>       | 2189.011          |
| 141 | Facultatif : Ensemble d'arc de suspension   | 1   | <a href="#">H-7212-SBS</a>   | 2189.012          |
| 142 | Arc de suspension complet                   | 1   | -----                        | 1832.061.050      |
| 143 | Vis à tête cylindrique Torx                 | 3   | -----                        | 1821.027.064      |
| 144 | Vis à tête cylindrique Torx                 | 2   | -----                        | 1913.905.103      |
| 145 | Tournevis Torx X25                          | 1   | -----                        | 1821.901.011      |