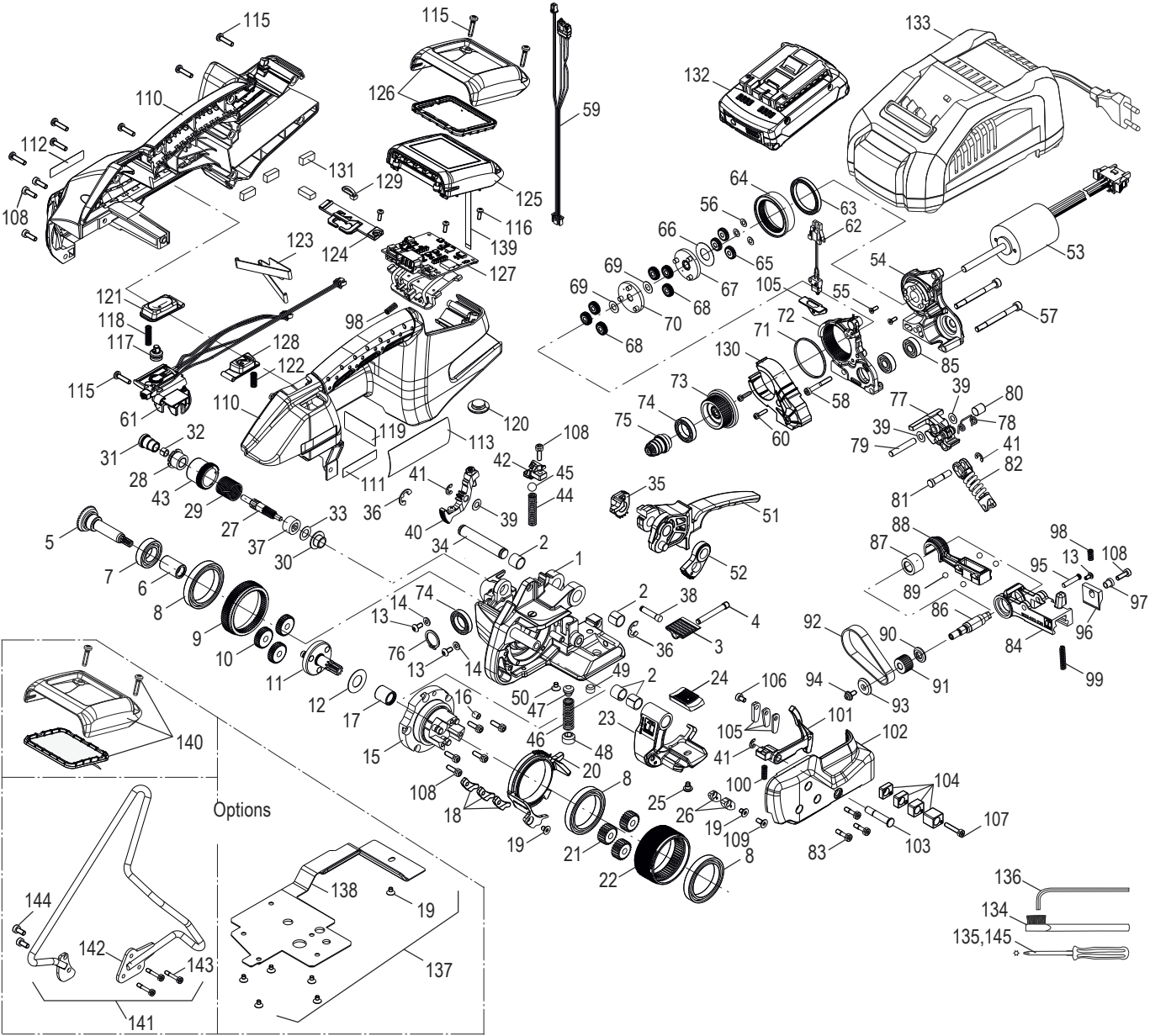
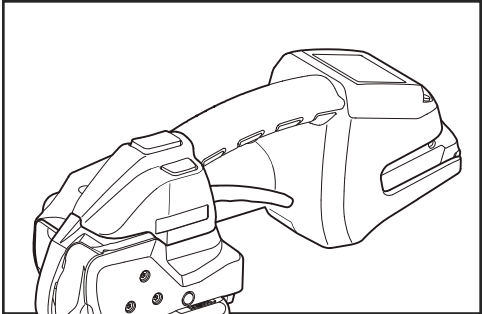


ULINE H-7212

AUTOMATIC SEALLESS COMBO STRAPPING TOOL

1-800-295-5510
uline.com



**AUTOMATIC SEALLESS
COMBO STRAPPING TOOL**

1-800-295-5510

uline.com

#	DESCRIPTION	QTY.	ULINE PART NO.	MFG. PART NO.
1	Base Plate Complete	1	H-7306	1832.011.284
2	Slide Bearing	4	-----	1935.510.100
3	Tooth Plate (Bottom)	1	H-2385-THBTM	1832.022.109
4	Set Screw	1	H-2386-SETSW	1832.022.055
5	Bevel Wheel with Pinion	1	H-2385-BVWHL	1821.061.034
6	Drawn Cup Roller Clutch	1	-----	1926.502.100
7	Ball Bearing	1	-----	1930.190.154
8	Ball Bearing	3	H-2385-BEAR	1930.180.356
9	Gear Ring	1	H-2385-BWHL	1832.039.211
10	Planet Gear	3	H-2385-60016	1821.060.016
11	Planet Carrier Complete	1	H-2385-PGEAR	1832.039.165
12	Spacer Disc	1	-----	1917.401.125
13	Pan Head Screw	3	-----	1912.804.084
14	Shim Ring	2	-----	1917.411.048
15	Flange Complete	1	-----	1832.039.287
16	Slide Bearing	1	H-2386-20SB	1935.504.060
17	Needle Bushing	1	H-1334-63	1933.710.150
18	Strap Guide Front 13 mm	1	H-2386-13STG	1832.031.051
18	Strap Guide Front 9 mm	2	-----	1832.031.046
19	Counter Sunk Screw Torx	3	H-7317	1912.204.064
20	Cam Disk	1	H-7311	1832.039.268
21	Planet Gear	3	H-2385-PLANT	1821.060.014
22	Tension Wheel	1	H-7338	1821.047.031
23	Rocker Complete 13 mm	1	-----	1832.031.109
23	Rocker Complete 16 mm	1	-----	1832.031.120
24	Tooth plate	1	H-7341	1821.048.025
25	Pan Head Screw	1	H-7328	1832.039.285
26	Strap Guide Front 6 mm	1	-----	1832.031.122
26	Strap Guide Front 9 mm	1	-----	1832.031.121
27	Clutch Shaft	1	-----	1832.039.263
28	Threaded Bushing	1	-----	1832.039.266
29	Wrap Spring	1	H-7389	1821.012.037
30	Flanged Bushing	1	-----	1821.020.192
31	Bearing Bolt	1	-----	1832.039.267
32	Slide Bearing	2	-----	1935.505.050
33	Shim Ring	1	-----	1917.411.083
34	Bolt	1	-----	1832.039.262
35	Blocking Lever	1	-----	1832.031.108
36	Retaining Ring	2	H-2386-RRING	1920.108.102
37	Blocking Roller	1	-----	1832.039.265

**AUTOMATIC SEALLESS
COMBO STRAPPING TOOL**

1-800-295-5510

uline.com

#	DESCRIPTION	QTY.	ULINE PART NO.	MFG. PART NO.
38	Bolt	4	H-2385-BLT38	1832.022.186
39	Shim Ring	1	H-7336	1917.411.052
40	Reset Lever Complete	1	H-7207-40	1832.031.124
41	Retaining Ring	3	H-2385RRING2	1920.104.072
42	Support	1	-----	1832.031.115
43	Sleeve	1	-----	1832.022.272
44	Compression Spring	1	H-7314	1821.010.144
45	Ball	1	H-7394	1925.010.802
46	Compression Spring	1	H-7313	1821.010.143
47	Pusher	1	H-7332	1821.033.031
48	Set Screw	1	-----	1910.412.084
49	Set Screw	1	H-2385-SSCRW	1910.408.064
50	Counter Sunk Screw Torx	1	-----	1912.204.054
51	Rocker Lever Complete	1	H-7334	1832.031.105
52	Toothed Segment	1	-----	1832.039.288
53	Motor	1	H-7212-MOTOR	1821.140.113
54	Motor Support Complete	1	-----	1832.022.269
55	Counter Sunk Screw	2	H-1274-CSCRW	1912.203.086
56	Shim Ring	3	H-2385-SPDSK	1917.411.041
57	Shoulder Screw (M5)	2	H-2386-62	1821.027.037
58	Cylinder Head Screw	1	-----	1911.204.304
59	Cable Harness Rocker Lever	1	H-8071	1821.151.050
60	Cylinder Head Screw	2	-----	1911.003.104
61	Cable Harness Housing	1	H-7363	1821.151.052
62	Cable Harness Welding Unit	1	H-7386	1821.151.054
63	Ball Bearing	1	H-2386-BEAR	1930.170.302
64	Excentric Cam	1	H-7319	1832.022.247
65	Planet Gear	3	H-2385PWHEEL	1821.060.023
66	Spacer Disc	1	-----	1917.401.122
67	Planet Carrier Complete	1	H-2385-66	1832.039.203
68	Planet Gear	6	H-2385-PWHL	1821.060.024
69	Shim Ring	2	H-2386-72	1917.411.062
70	Planet Carrier Complete	1	H-2385-69	1832.039.201
71	Ring	1	-----	1821.020.151
72	Bearing Support	1	-----	1832.022.248
73	Belt Pulley Mounted	1	H-7308	1832.033.018
74	Ball Bearing	2	H-1465-BB54	1930.180.152
75	Bevel Pinion Complete	1	H-7309	1821.061.037
76	Retaining Ring	1	H-771-EXRRNG	1920.215.102
77	Shift Lever Complete	1	-----	1832.022.249

**AUTOMATIC SEALLESS
COMBO STRAPPING TOOL**

1-800-295-5510

uline.com

#	DESCRIPTION	QTY.	ULINE PART NO.	MFG. PART NO.
78	Yoke Spring	1	H-7390	1821.012.038
79	Bolt	1	-----	1821.031.060
80	Bolt	1	H-2385-BOLT	1832.022.163
81	Bolt	1	H-7310	1821.035.011
82	Spring Assembly	1	H-8941	1832.022.254
83	Cylinder Head Screw Torx	3	H-7212-83	1821.027.063
84	Swivel Bearing	1	-----	1832.022.230
85	Ball Bearing	2	H-7395	1930.100.072
86	Eccentric Shaft	1	H-7320	1832.022.240
87	Needle Bearing	1	H-2386-NB	1933.210.120
88	Welding Shoe	1	H-7344	1832.022.257
89	Ball	4	H-2385-93	1925.010.502
90	Supporting Disk	1	H-2385-94	1832.022.165
91	Pinion	1	H-2385-PINON	1832.022.139
92	Toothed Belt	1	H-2385-TBELT	1821.067.011
93	Washer	1	-----	1821.020.147
94	Cylinder Head Screw	1	H-2386-102CS	1911.304.084
95	Bolt	1	-----	1832.022.273
96	Knife	1	H-7324	1821.209.035
97	Flanged Bushing	1	H-7321	1832.022.238
98	Compression Spring	2	H-7316	1821.010.141
99	Compression Spring	1	H-7396	1821.010.020
100	Compression Spring	1	H-7391	1821.010.142
101	Lever Strap Guide Complete	1	-----	1832.042.065
102	Side Cover	1	H-7335	1832.011.346
103	Bearing Bolt	1	H-2385-106	1821.035.007
104	Strap Guide Rear 9 mm	1	-----	1832.041.020
104	Strap Guide Rear 13 mm	1	H-2385-019	1832.041.019
105	Strap Guide Rear 9 mm	1	-----	1832.042.047
105	Strap Guide Rear 13 mm	1	H-2385-109	1832.042.043
106	Cylinder Head Screw Torx	1	H-7329	1913.904.064
107	Cylinder Head Screw Torx	1	H-7207-108	1913.904.204
108	Cylinder Head Screw Torx	10	H-7318	1913.904.125
109	Counter Sunk Screw Torx (9 mm)	1	H-1607-1912	1912.204.108
110	Housing Parts Set	1	H-7322	1832.011.300
111	Type Plate	1	-----	1821.091.084
112	Name Plate	1	H-2385-NMPLT	1821.090.021
113	Warning Label	1	-----	1821.092.010
114	Mounting Support Connector	1	-----	1821.163.235
115	Pan Head PT-Screw Torx	12	H-7327	1914.840.162

ULINE H-7212
**AUTOMATIC SEALLESS
 COMBO STRAPPING TOOL**

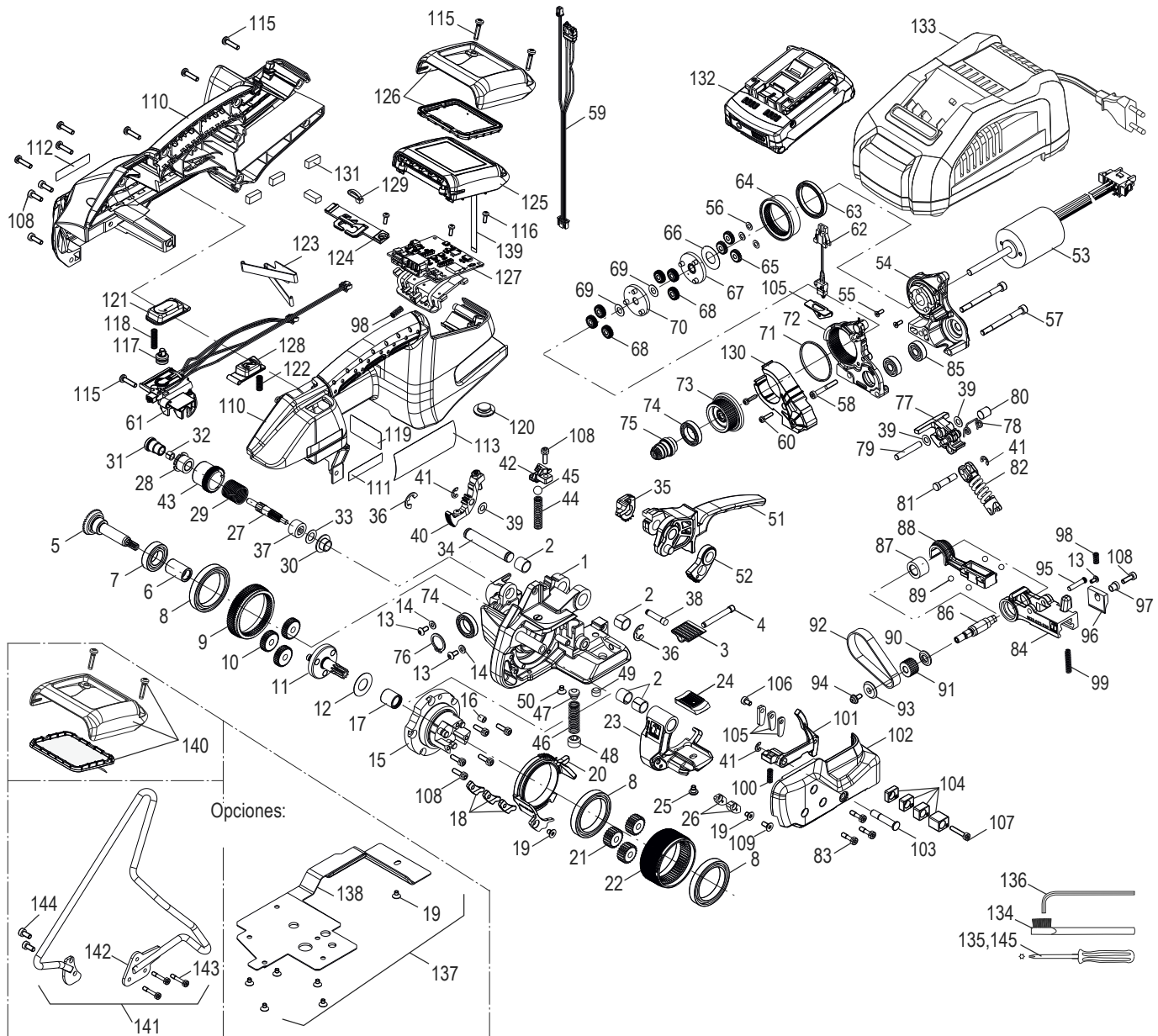
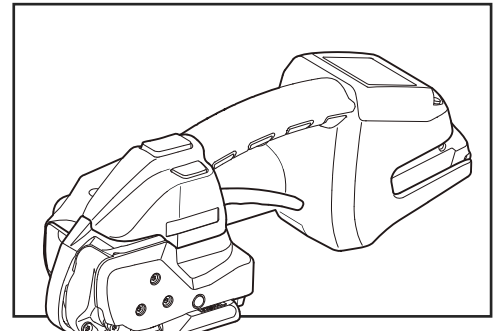
1-800-295-5510
 uline.com

#	DESCRIPTION	QTY.	ULINE PART NO.	MFG. PART NO.
116	Pan Head PT-Screw Torx	3	-----	1914.830.088
117	Actuator	1	H-7397	1832.011.329
118	Compression Spring	1	H-7392	1821.010.149
119	Mandatory Sign	1	-----	1821.091.094
120	Protection Disk	1	H-2385-PUCK	1832.011.181
121	Tension Button	1	H-7211-TB	1832.011.328
122	Compression Spring	1	H-7393	1821.010.054
123	Leaf Spring	1	H-7207-BLS	1821.013.006
124	Contact Plate Clamp	1	-----	1832.011.319
125	LCD Operating Unit EU/US	1	H-7211-DISP	1832.011.317
126	Protection F Cover Set	1	H-7207-FRAME	1832.011.399
127	Printed Circuit Board Soldered	1	H-7212-PCB	1821.152.110
128	Welding Button	1	-----	1832.011.322
129	Cable Tie	1	-----	-----
130	Belt Cover	1	-----	1832.022.259
131	Cable Clamp	4	H-7387	1821.151.056
132	Battery 18V/2.0Ah Li-Ion US BAT 612	1	H-7207-BATT	2187.012
133	Battery Charger BC 1880 CV US	1	H-7213	2188.021
134	Wire Brush	1	H-7212-134	1821.901.004
135	Screwdriver Torx T20	1	H-1067-WRNCH	1990.102.020
136	Offset Screwdriver	1	-----	1821.901.007
137	Protection Plate Set	1	H-7207-137	2189.010
138	Protection Plate	1	-----	1832.011.351
139	FCC Cable	1	H-7388	1821.163.233
140	Protection Cover Set	1	H-7331	2189.011
141	Optional: Suspension Bow Set	1	H-7212-SBS	2189.012
142	Suspension Bow Complete	1	-----	1832.061.050
143	Cylinder Head Screw Torx	3	-----	1821.027.064
144	Cylinder Head Screw Torx	2	-----	1913.905.103
145	Screwdriver Torx X25	1	-----	1821.901.011

ULINE H-7212

**HERRAMIENTA
COMBINADA PARA FLEJE
PARA UNIÓN SIN SELLO**

800-295-5510
uline.mx



**HERRAMIENTA
COMBINADA PARA FLEJE
PARA UNIÓN SIN SELLO**

#	DESCRIPCIÓN	CANT.	NO. DE PARTE DE ULINE	NO. DE PARTE DEL FABRICANTE
1	Placa de la Base Completa	1	H-7306	1832.011.284
2	Balero Deslizante	4	-----	1935.510.100
3	Base Dentada (Fondo)	1	H-2385-THBTM	1832.022.109
4	Tornillo de Ajuste	1	H-2386-SETSW	1832.022.055
5	Rueda de Corona y Piñón	1	H-2385-BVWHL	1821.061.034
6	Casquillo de Marcha Libre	1	-----	1926.502.100
7	Balero de Balines	1	-----	1930.190.154
8	Balero de Balines	3	H-2385-BEAR	1930.180.356
9	Anillo Dentado	1	H-2385-BWHL	1832.039.211
10	Engranaje Planetario	3	H-2385-60016	1821.060.016
11	Portaplanetas Completo	1	H-2385-PGEAR	1832.039.165
12	Rondana Espaciadora	1	-----	1917.401.125
13	Tornillo de Cabeza Plana	3	-----	1912.804.084
14	Anillo para Tope	2	-----	1917.411.048
15	Reborde Completo	1	-----	1832.039.287
16	Balero Deslizante	1	H-2386-20SB	1935.504.060
17	Casquillo Fino	1	H-1334-63	1933.710.150
18	Guía Frontal para Fleje de 13 mm	1	H-2386-13STG	1832.031.051
18	Guía Frontal para Fleje de 9 mm	2	-----	1832.031.046
19	Tornillo Avellanado Torx	3	H-7317	1912.204.064
20	Disco de Levas	1	H-7311	1832.039.268
21	Engranaje Planetario	3	H-2385-PLANT	1821.060.014
22	Rueda de Tensión	1	H-7338	1821.047.031
23	Balanceo Completo de 13 mm	1	-----	1832.031.109
23	Balanceo Completo de 16 mm	1	-----	1832.031.120
24	Placa Dentada	1	H-7341	1821.048.025
25	Tornillo de Cabeza Plana	1	H-7328	1832.039.285
26	Guía Frontal para Fleje de 6 mm	1	-----	1832.031.122
26	Guía Frontal para Fleje de 9 mm	1	-----	1832.031.121
27	Eje del Embrague	1	-----	1832.039.263
28	Casquillo Roscado	1	-----	1832.039.266
29	Cubierta del Resorte	1	H-7389	1821.012.037
30	Casquillo con Brida	1	-----	1821.020.192
31	Perno de Balero	1	-----	1832.039.267
32	Balero Deslizante	2	-----	1935.505.050
33	Anillo para Tope	1	-----	1917.411.083
34	Perno	1	-----	1832.039.262
35	Palanca de Bloqueo	1	-----	1832.031.108
36	Anillo de Retención	2	H-2386-RRING	1920.108.102
37	Anillo de Bloqueo	1	-----	1832.039.265

**HERRAMIENTA
COMBINADA PARA FLEJE
PARA UNIÓN SIN SELLO**

#	DESCRIPCIÓN	CANT.	NO. DE PARTE DE ULINE	NO. DE PARTE DEL FABRICANTE
38	Perno	4	H-2385-BLT38	1832.022.186
39	Anillo para Tope	1	H-7336	1917.411.052
40	Palanca de Reajuste Completa	1	H-7207-40	1832.031.124
41	Anillo de Retención	3	H-2385RRING2	1920.104.072
42	Soporte	1	-----	1832.031.115
43	Manga	1	-----	1832.022.272
44	Resorte de Compresión	1	H-7314	1821.010.144
45	Balín	1	H-7394	1925.010.802
46	Resorte de Compresión	1	H-7313	1821.010.143
47	De Empuje	1	H-7332	1821.033.031
48	Tornillo de Ajuste	1	-----	1910.412.084
49	Tornillo de Ajuste	1	H-2385-SSCRW	1910.408.064
50	Tornillo Avellanado Torx	1	-----	1912.204.054
51	Palanca de Balanceo Completa	1	H-7334	1832.031.105
52	Segmento Dentado	1	-----	1832.039.288
53	Motor	1	H-7212-MOTOR	1821.140.113
54	Soporte de Motor Completo	1	-----	1832.022.269
55	Tornillo Avellanado Torx	2	H-1274-CSCRW	1912.203.086
56	Anillo para Tope	3	H-2385-SPDSK	1917.411.041
57	Tornillo sin Cabeza	2	H-2386-62	1821.027.037
58	Tornillo con Cabeza de Cilindro	1	-----	1911.204.304
59	Palanca de Balanceo para Arnés de Cables	1	H-8071	1821.151.050
60	Tornillo con Cabeza de Cilindro	2	-----	1911.003.104
61	Cubierta para Arnés de Cables	1	H-7363	1821.151.052
62	Unidad Soldada para Arnés de Cables	1	H-7386	1821.151.054
63	Rodamiento	1	H-2386-BEAR	1930.170.302
64	Leva Excéntrica	1	H-7319	1832.022.247
65	Engranaje Planetario	3	H-2385PWHEEL	1821.060.023
66	Rondana Espaciadora	1	-----	1917.401.122
67	Transportador de Garlopa Completo	1	H-2385-66	1832.039.203
68	Engranaje Planetario	6	H-2385-PWHL	1821.060.024
69	Anillo para Tope	2	H-2386-72	1917.411.062
70	Portaplanetas Completo	1	H-2385-69	1832.039.201
71	Anillo	1	-----	1821.020.151
72	Soporte de Rodamiento	1	-----	1832.022.248
73	Montaje para Correa de Polea	1	H-7308	1832.033.018
74	Balero de Balines	2	H-1465-BB54	1930.180.152
75	Piñón de Corona Completo	1	H-7309	1821.061.037
76	Anillo de Retención	1	H-771-EXRRNG	1920.215.102
77	Palanca de Cambio Completa	1	-----	1832.022.249

**HERRAMIENTA
COMBINADA PARA FLEJE
PARA UNIÓN SIN SELLO**

#	DESCRIPCIÓN	CANT.	NO. DE PARTE DE ULINE	NO. DE PARTE DEL FABRICANTE
78	Resorte de Horquilla	1	H-7390	1821.012.038
79	Perno	1	-----	1821.031.060
80	Perno	1	H-2385-BOLT	1832.022.163
81	Perno	1	H-7310	1821.035.011
82	Ensamble del Resorte	1	H-8941	1832.022.254
83	Tornillo con Cabeza de Cilindro Torx	3	H-7212-83	1821.027.063
84	Rodamiento Giratorio	1	-----	1832.022.230
85	Balero de Balines	2	H-7395	1930.100.072
86	Eje Excéntrico	1	H-7320	1832.022.240
87	Rodamiento de Agujas	1	H-2386-NB	1933.210.120
88	Zapata de Soldadura	1	H-7344	1832.022.257
89	Balín	4	H-2385-93	1925.010.502
90	Disco de Soporte	1	H-2385-94	1832.022.165
91	Piñón	1	H-2385-PINON	1832.022.139
92	Banda Dentada	1	H-2385-TBELT	1821.067.011
93	Rondana	1	-----	1821.020.147
94	Tornillo con Cabeza de Cilindro	1	H-2386-102CS	1911.304.084
95	Perno	1	-----	1832.022.273
96	Cuchillo	1	H-7324	1821.209.035
97	Casquillo con Brida	1	H-7321	1832.022.238
98	Resorte de Compresión	2	H-7316	1821.010.141
99	Resorte de Compresión	1	H-7396	1821.010.020
100	Resorte de Compresión	1	H-7391	1821.010.142
101	Guía de la Palanca de Correa Completa	1	-----	1832.042.065
102	Cubierta lateral	1	H-7335	1832.011.346
103	Perno de Rodamiento	1	H-2385-106	1821.035.007
104	Guía Posterior para Fleje de 9 mm	1	-----	1832.041.020
104	Guía Posterior para Fleje de 13 mm	1	H-2385-019	1832.041.019
105	Guía Posterior para Fleje de 9 mm	1	-----	1832.042.047
105	Guía Posterior para Fleje de 13 mm	1	H-2385-109	1832.042.043
106	Tornillo con Cabeza de Cilindro Torx	1	H-7329	1913.904.064
107	Tornillo con Cabeza de Cilindro Torx	1	H-7207-108	1913.904.204
108	Tornillo con Cabeza de Cilindro Torx	10	H-7318	1913.904.125
109	Tornillo Avellanado Torx (9mm)	1	H-1607-1912	1912.204.108
110	Set de Partes del Armazón	1	H-7322	1832.011.300
111	Placa de Tipo	1	-----	1821.091.084
112	Placa de Nombre	1	H-2385-NMPLT	1821.090.021
113	Etiqueta de Advertencia	1	-----	1821.092.010
114	Conector del Soporte de Instalación	1	-----	1821.163.235
115	Tornillo de Cabeza Plana PT Torx	12	H-7327	1914.840.162

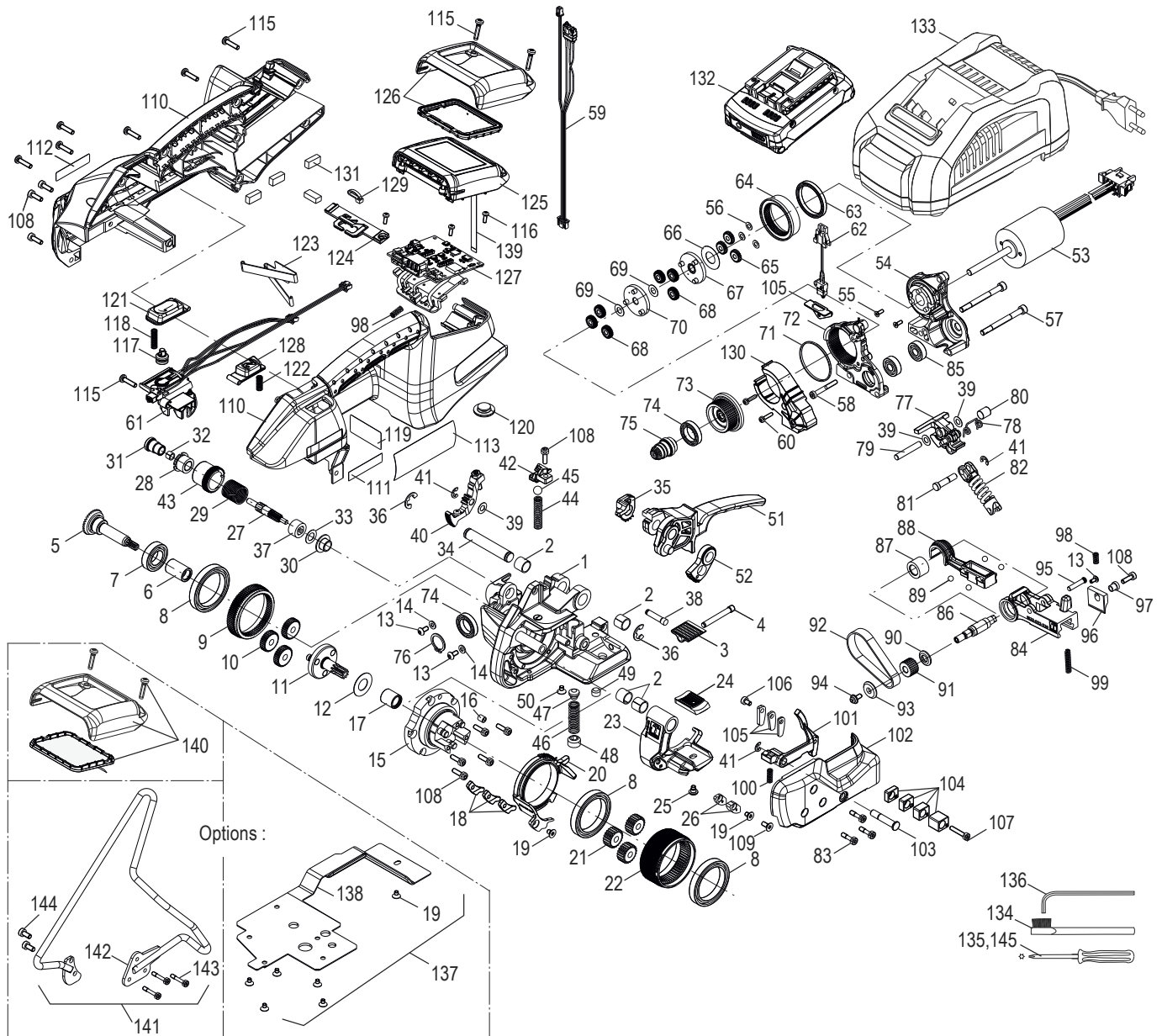
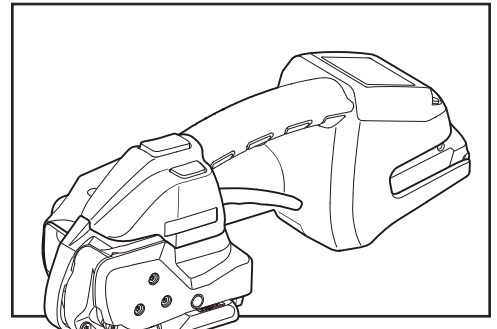
**HERRAMIENTA
COMBINADA PARA FLEJE
PARA UNIÓN SIN SELLO**

#	DESCRIPCIÓN	CANT.	NO. DE PARTE DE ULINE	NO. DE PARTE DEL FABRICANTE
116	Tornillo de Cabeza Plana PT Torx	3	-----	1914.830.088
117	Accionador	1	H-7397	1832.011.329
118	Resorte de Compresión	1	H-7392	1821.010.149
119	Letrero Obligatorio	1	-----	1821.091.094
120	Disco de Protección	1	H-2385-PUCK	1832.011.181
121	Botón de Tensión	1	H-7211-TB	1832.011.328
122	Resorte de Compresión	1	H-7393	1821.010.054
123	Suspensión de Ballesta	1	H-7207-BLS	1821.013.006
124	Abrazadera de la Placa de Contacto	1	-----	1832.011.319
125	Unidad Operativa LCD UE/EUA	1	H-7211-DISP	1832.011.317
126	Set para Cubierta de Protección F	1	H-7207-FRAME	1832.011.399
127	Placa de Circuito Impreso Soldada	1	H-7212-PCB	1821.152.110
128	Botón Soldado	1	-----	1832.011.322
129	Cincho	1	-----	-----
130	Cubierta de la Banda	1	-----	1832.022.259
131	Abrazadera del Cable	4	H-7387	1821.151.056
132	Batería de 18V2.0Ah de Li-ion US BAT 612	1	H-7207-BATT	2187.012
133	Cargador de Batería BC1880 CV US	1	H-7213	2188.021
134	Cepillos de Alambre	1	H-7212-134	1821.901.004
135	Desarmador Torx T20	1	H-1067-WRNCH	1990.102.020
136	Llave Hexagonal	1	-----	1821.901.007
137	Set de Placa de Protección	1	H-7207-137	2189.010
138	Placa de Protección	1	-----	1832.011.351
139	Cable Plano Flexible	1	H-7388	1821.163.233
140	Set para Cubierta de Protección F	1	H-7331	2189.011
141	Opcional: Arco de Suspensión	1	H-7212-SBS	2189.012
142	Arco de Suspensión Completo	1	-----	1832.061.050
143	Tornillo con Cabeza de Cilindro Torx	3	-----	1821.027.064
144	Tornillo con Cabeza de Cilindro Torx	2	-----	1913.905.103
145	Desarmador Torx X25	1	-----	1821.901.011

ULINE H-7212

**OUTIL DE CERCLAGE
MULTIFONCTIONNEL
AUTOMATIQUE SANS JOINTS**

1-800-295-5510
uline.ca



**OUTIL DE CERCLAGE
MULTIFONCTIONNEL
AUTOMATIQUE SANS JOINTS**

#	DESCRIPTION	QTÉ	RÉF. ULINE	RÉF. DU FABRICANT
1	Socle	1	H-7306	1832.011.284
2	Palier lisse	4	-----	1935.510.100
3	Plaque dentée (inférieure)	1	H-2385-THBTM	1832.022.109
4	Vis de réglage	1	H-2386-SETSW	1832.022.055
5	Roue conique à pignon	1	H-2385-BVWHL	1821.061.034
6	Roue libre à aiguilles	1	-----	1926.502.100
7	Roulement à bille	1	-----	1930.190.154
8	Roulement à bille	3	H-2385-BEAR	1930.180.356
9	Couronne dentée	1	H-2385-BWHL	1832.039.211
10	Satellite	3	H-2385-60016	1821.060.016
11	Porte-satellite complet	1	H-2385-PGEAR	1832.039.165
12	Disque d'entretoise	1	-----	1917.401.125
13	Vis à tête cylindrique bombée	3	-----	1912.804.084
14	Bague d'ajustage	2	-----	1917.411.048
15	Bride complète	1	-----	1832.039.287
16	Palier lisse	1	H-2386-20SB	1935.504.060
17	Douille d'aiguille	1	H-1334-63	1933.710.150
18	Guide de feillard avant de 13 mm	1	H-2386-13STG	1832.031.051
18	Guide de feillard avant de 9 mm	2	-----	1832..031.046
19	Vis à tête creuse Torx	3	H-7317	1912.204.064
20	Disque à cames	1	H-7311	1832.039.268
21	Satellite	3	H-2385-PLANT	1821.060.014
22	Roue de serrage	1	H-7338	1821.047.031
23	Culbuteur complet de 13 mm	1	-----	1832.031.109
23	Culbuteur complet de 16 mm	1	-----	1832.031.120
24	Plaque dentelée	1	H-7341	1821.048.025
25	Vis à tête cylindrique bombée	1	H-7328	1832.039.285
26	Guide de feillard avant de 6 mm	1	-----	1832.031.122
26	Guide de feillard avant de 9 mm	1	-----	1832.031.121
27	Arbre d'embrayage	1	-----	1832.039.263
28	Bague filetée	1	-----	1832.039.266
29	Ressort enroulé	1	H-7389	1821.012.037
30	Manchon à bride	1	-----	1821.020.192
31	Boulon d'appui	1	-----	1832.039.267
32	Palier lisse	2	-----	1935.505.050
33	Bague d'ajustage	1	-----	1917.411.083
34	Boulon	1	-----	1832.039.262
35	Levier de blocage	1	-----	1832.031.108
36	Anneau de retenue	2	H-2386-RRING	1920.108.102
37	Rouleau de blocage	1	-----	1832.039.265

**OUTIL DE CERCLAGE
MULTIFONCTIONNEL
AUTOMATIQUE SANS JOINTS**

#	DESCRIPTION	QTÉ	RÉF. ULINE	RÉF. DU FABRICANT
38	Boulon	4	H-2385-BLT38	1832.022.186
39	Bague d'ajustage	1	H-7336	1917.411.052
40	Levier de repositionnement complet	1	H-7207-40	1832.031.124
41	Bague de retenue	3	H-2385RRING2	1920.104.072
42	Support	1	-----	1832.031.115
43	Manche	1	-----	1832.022.272
44	Ressort de compression	1	H-7314	1821.010.144
45	Bille	1	H-7394	1925.010.802
46	Ressort de compression	1	H-7313	1821.010.143
47	Poussoir	1	H-7332	1821.033.031
48	Vis de réglage	1	-----	1910.412.084
49	Vis de réglage	1	H-2385-SSCRW	1910.408.064
50	Vis à tête creuse Torx	1	-----	1912.204.054
51	Levier de culbuteur complet	1	H-7334	1832.031.105
52	Segment denté	1	-----	1832.039.288
53	Moteur	1	H-7212-MOTOR	1821.140.113
54	Support de moteur complet	1	-----	1832.022.269
55	Vis à tête creuse	2	H-1274-CSCRW	1912.203.086
56	Bague d'ajustage	3	H-2385-SPDSK	1917.411.041
57	Vis à épaulement (M5)	2	H-2386-62	1821.027.037
58	Vis à tête cylindrique	1	-----	1911.204.304
59	Faisceau de câblage de levier de culbuteur	1	H-8071	1821.151.050
60	Vis à tête cylindrique	2	-----	1911.003.104
61	Boîtier de faisceau de câblage	1	H-7363	1821.151.052
62	Unité de soudure du faisceau de câblage	1	H-7386	1821.151.054
63	Roulement à bille	1	H-2386-BEAR	1930.170.302
64	Came à excentrique	1	H-7319	1832.022.247
65	Satellite	3	H-2385PWHEEL	1821.060.023
66	Disque d'entretoise	1	-----	1917.401.122
67	Porte-satellite complet	1	H-2385-66	1832.039.203
68	Satellite	6	H-2385-PWHL	1821.060.024
69	Bague d'ajustage	2	H-2386-72	1917.411.062
70	Porte-satellite complet	1	H-2385-69	1832.039.201
71	Bague	1	-----	1821.020.151
72	Support d'appui	1	-----	1832.022.248
73	Galet de courroie dentée	1	H-7308	1832.033.018
74	Roulement à bille	2	H-1465-BB54	1930.180.152
75	Pignon conique complet	1	H-7309	1821.061.037
76	Bague de retenue	1	H-771-EXRRNG	1920.215.102
77	Levier sélecteur complet	1	-----	1832.022.249

**OUTIL DE CERCLAGE
MULTIFONCTIONNEL
AUTOMATIQUE SANS JOINTS**

#	DESCRIPTION	QTÉ	RÉF. ULINE	RÉF. DU FABRICANT
78	Ressort d'étrier	1	H-7390	1821.012.038
79	Boulon	1	-----	1821.031.060
80	Boulon	1	H-2385-BOLT	1832.022.163
81	Boulon	1	H-7310	1821.035.011
82	Ensemble de ressort	1	H-8941	1832.022.254
83	Vis à tête cylindrique Torx	3	H-7212-83	1821.027.063
84	Palier à rotule	1	-----	1832.022.230
85	Roulement à bille	2	H-7395	1930.100.072
86	Arbre à excentrique	1	H-7320	1832.022.240
87	Roulement à aiguilles	1	H-2386-NB	1933.210.120
88	Semelle de soudage	1	H-7344	1832.022.257
89	Bille	4	H-2385-93	1925.010.502
90	Disque-support	1	H-2385-94	1832.022.165
91	Pignon	1	H-2385-PINON	1832.022.139
92	Courroie crantée	1	H-2385-TBELT	1821.067.011
93	Rondelle	1	-----	1821.020.147
94	Vis à tête cylindrique	1	H-2386-102CS	1911.304.084
95	Boulon	1	-----	1832.022.273
96	Lame de coupe	1	H-7324	1821.209.035
97	Manchon à bride	1	H-7321	1832.022.238
98	Ressort de compression	2	H-7316	1821.010.141
99	Ressort de compression	1	H-7396	1821.010.020
100	Ressort de compression	1	H-7391	1821.010.142
101	Levier de guide de feuillard complet	1	-----	1832.042.065
102	Couvercle latéral	1	H-7335	1832.011.346
103	Boulon d'appui	1	H-2385-106	1821.035.007
104	Guide de feuillard arrière de 9 mm	1	-----	1832.041.020
104	Guide de feuillard arrière de 13 mm	1	H-2385-019	1832.041.019
105	Guide de feuillard arrière de 9 mm	1	-----	1832.042.047
105	Guide de feuillard arrière de 13 mm	1	H-2385-109	1832.042.043
106	Vis à tête cylindrique Torx	1	H-7329	1913.904.064
107	Vis à tête cylindrique Torx	1	H-7207-108	1913.904.204
108	Vis à tête cylindrique Torx	10	H-7318	1913.904.125
109	Vis à tête creuse Torx (9 mm)	1	H-1607-1912	1912.204.108
110	Ensemble de pièces du boîtier	1	H-7322	1832.011.300
111	Plaque signalétique	1	-----	1821.091.084
112	Plaque d'identification	1	H-2385-NMPLT	1821.090.021
113	Étiquette d'avertissement	1	-----	1821.092.010
114	Connecteur de support de montage	1	-----	1821.163.235
115	Vis à tête cylindrique bombée hexagonale Torx	12	H-7327	1914.840.162

**OUTIL DE CERCLAGE
MULTIFONCTIONNEL
AUTOMATIQUE SANS JOINTS**

#	DESCRIPTION	QTÉ	RÉF. ULINE	RÉF. DU FABRICANT
116	Vis à tête cylindrique bombée hexagonale Torx	3	-----	1914.830.088
117	Actionneur	1	H-7397	1832.011.329
118	Ressort de compression	1	H-7392	1821.010.149
119	Étiquette de prescription	1	-----	1821.091.094
120	Disque de protection	1	H-2385-PUCK	1832.011.181
121	Bouton de tension	1	H-7211-TB	1832.011.328
122	Ressort de compression	1	H-7393	1821.010.054
123	Ressort à lames	1	H-7207-BLS	1821.013.006
124	Bride de serrage pour plaque de contact	1	-----	1832.011.319
125	Unité de commande à cristaux liquides EU/US	1	H-7211-DISP	1832.011.317
126	Ensemble de couvercle de protection	1	H-7207-FRAME	1832.011.399
127	Carte de circuit imprimé soudée	1	H-7212-PCB	1821.152.110
128	Bouton de soudage	1	-----	1832.011.322
129	Attache-câbles	1	-----	-----
130	Protecteur de courroie	1	-----	1832.022.259
131	Serre-câble	4	H-7387	1821.151.056
132	Batterie li-ion de 18 V, 2,0 Ah US BAT 612	1	H-7207-BATT	2187.012
133	Chargeur de batterie BC 1880 CV US	1	H-7213	2188.021
134	Brosse métallique	1	H-7212-134	1821.901.004
135	Tournevis Torx T20	1	H-1067-WRNCH	1990.102.020
136	Tournevis coudé	1	-----	1821.901.007
137	Ensemble de plaque de protection	1	H-7207-137	2189.010
138	Plaque de protection	1	-----	1832.011.351
139	Câble de connexion	1	H-7388	1821.163.233
140	Ensemble de couvercle de protection	1	H-7331	2189.011
141	Facultatif : Ensemble d'arc de suspension	1	H-7212-SBS	2189.012
142	Arc de suspension complet	1	-----	1832.061.050
143	Vis à tête cylindrique Torx	3	-----	1821.027.064
144	Vis à tête cylindrique Torx	2	-----	1913.905.103
145	Tournevis Torx X25	1	-----	1821.901.011