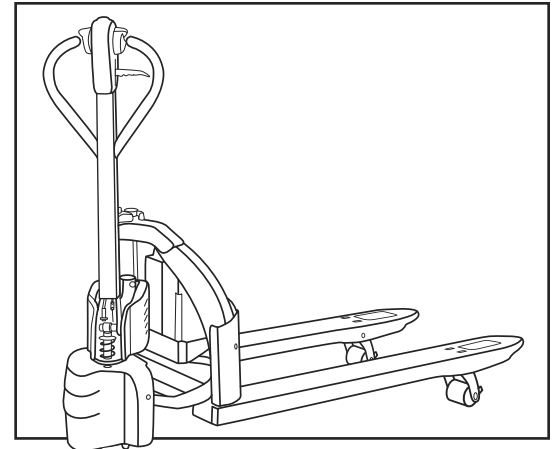
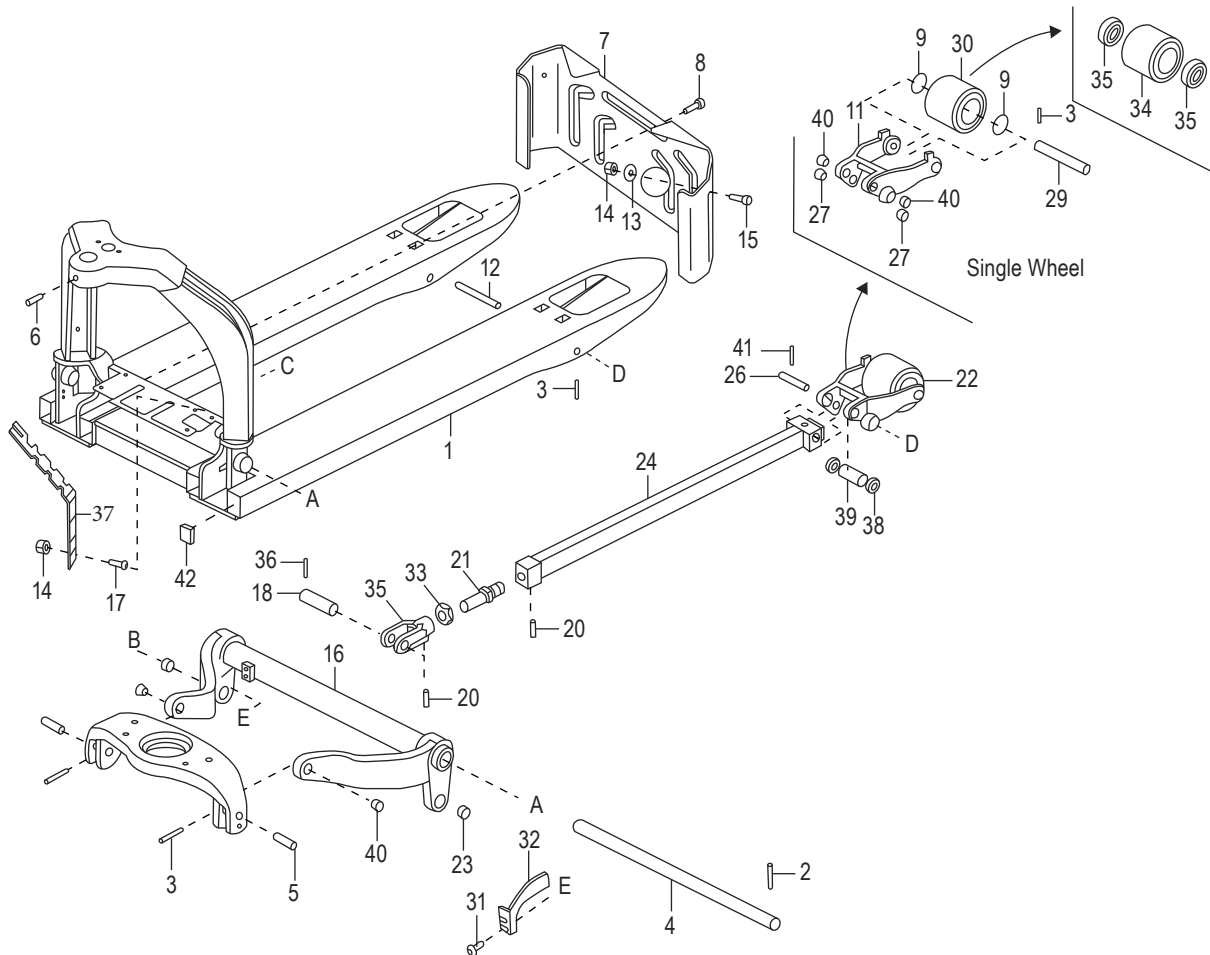


ULINE H-7505 BATTERY PALLET TRUCK – 2,600 LB

1-800-295-5510
 uline.com



FRAME ASSEMBLY DIAGRAM



FRAME ASSEMBLY DIAGRAM PARTS LIST

#	DESCRIPTION	QTY.	ULINE PART NO.	MFG. PART NO.
1	Frame 27" Wide	1	-----	1113-110000-0A-01
2	Roll Pin, M6 x 35	1	-----	0000-001333-00
3	Roll Pin	2	H-4709-RPIN	0000-000708-00
4	Long Shaft, Frame Width 27"	1	-----	1113-130001-00
5	Short Shaft	2	-----	1121-130002-00
6	Screw M6 x 20 mm	1	H-7505-M6X2Q	0000-001615-00

ULINE H-7505
BATTERY PALLET
TRUCK – 2,600 LB

1-800-295-5510
 uline.com

FRAME ASSEMBLY DIAGRAM PARTS LIST CONTINUED

#	DESCRIPTION	QTY.	ULINE PART NO.	MFG. PART NO.
7a	Cover 27" Wide (Used up to Serial # 727120189)	1	-----	1113-144000-0A-30
7b	Cover 27" Wide (Used from Serial # 727120189)	1	-----	1113-144000-0B-30
8a	Screw – M8 x 20 mm (Used up to Serial # 7301500518)	2	H-4705-2100	0000-001621-00
8b	Screw – M8 x 30 mm (Used from Serial # 7301500518)	2	-----	2028-000001-35
9	Flat Washer	4	H-7505-WASHQ	0000-000172-00
11a	Wheel Bracket (Used up to Serial # 729160865)	2	H-7505-LWBKQ	1113-130006-00
11b	Wheel Bracket (Used from Serial # 729160865)	2	-----	1113-130006-E0
12	Load Wheel Bracket Pivot Shaft	2	H-7505-WHBRQ	1113-130005-00
13	Flat Washer	2	H-7505-FW	0000-000210-00
14	Nut	2	H-4705-4000	0000-000740-00
15a	Screw – M8 x 45 mm (Used up to Serial # 7301500518)	2	H-4705-0027	2028-007000-27
15a	Screw – M8 x 50 mm (Used from Serial # 7301500518)	2	-----	2028-000001-36
16	Down Link E25 Frame Width 27"	1	-----	1113-131000-00A
17	Bolt – M8 x 30 mm	2	-----	2028-004000-10
18	Pivot Shaft, Pull Rod	2	-----	1113-130003-00
20	Set Screw	4	H-7505-20	0000-001793-00
21	Threaded Stud	2	H-7505-STUDQ	1113-132300-00
22	Load Wheel and Bracket Kit Includes: • Roll Pin #3 (1) • Bushing #4 (6) • Flat Washer #9 (2) • Wheel Bracket #11 (1) • Bushing #27 (2) • Bowl Washer #29 (1) • Load Wheel Assembly #30 (1)	2	H-7505-LBKQ	1113-130015-E1
23	Bushing	2	H-7505-23Q	0000-001629-00
24	Pull Rod	2	-----	1113-132200-00
25	Clevis Connector	2	H-7505-CNCTR	1113-132100-0A

ULINE H-7505
BATTERY PALLET
TRUCK – 2,600 LB

1-800-295-5510
 uline.com

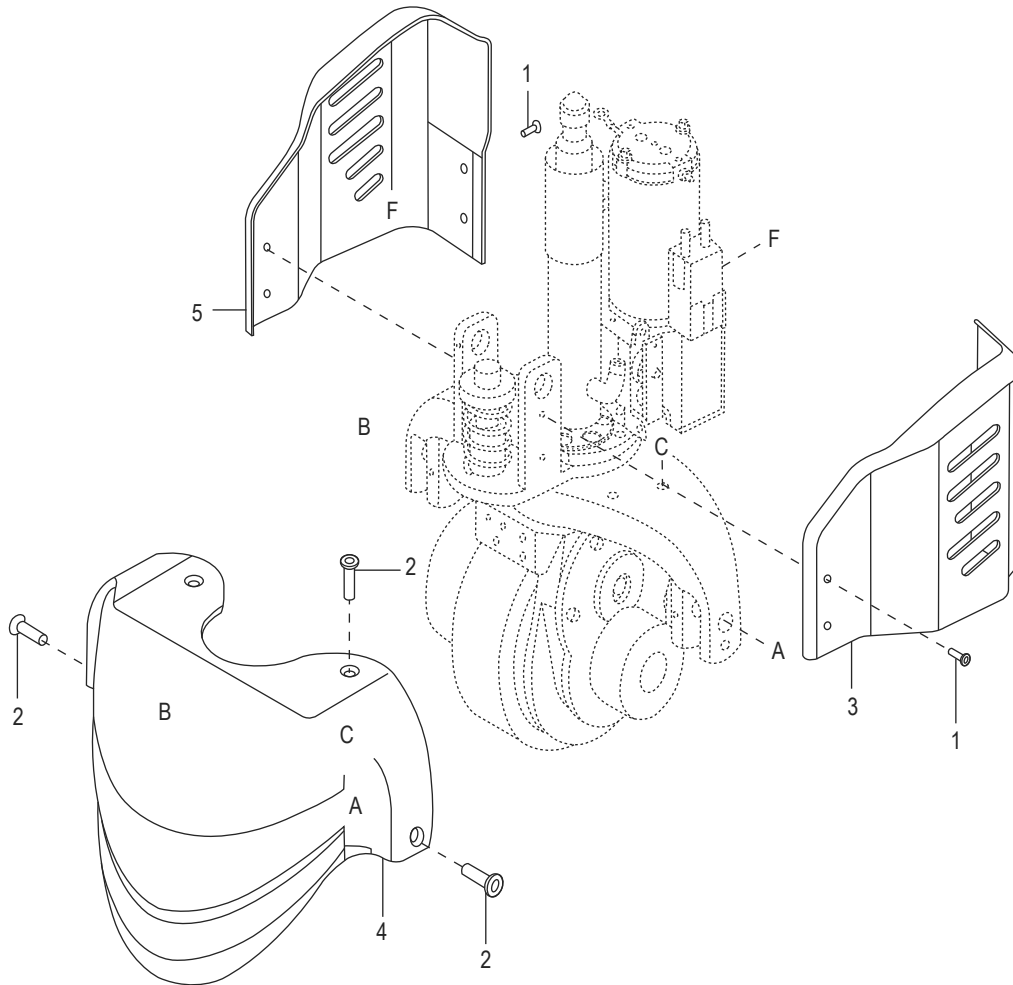
FRAME ASSEMBLY DIAGRAM PARTS LIST CONTINUED

#	DESCRIPTION	QTY.	ULINE PART NO.	MFG. PART NO.
26	Pivot Shaft, Wheel Housing	2	H-7505-PSWH	1113-130004-0A
27	Bushing	4	H-7505-BUSH	0000-001742-00
29	Axle Shaft, Load Wheel	2	H-7505-29Q	1113-130010-00
30	Load Wheel Assembly Kit (With Bearings) Includes: • Poly Load Wheel #34 (1) • Bearing #35 (2)	2	H-4709LASSY	1115-133000-40
31	Bolt M4 x 6 mm	2	H-7505-M4X6Q	0000-001704-00
32	Actuator, Release	1	H-7505-RA	1113-500013-00
33	Nut M20 x 1.5 mm	2	-----	0000-000561-00
34	Poly Load Wheel	2	H-7532	1115-133002-4B
35	Bearing	4	H-4709BRNG	0000-000020-00
36	Roll Pin, M4 x 30 mm	2	-----	0000-001482-00
37	Plate	1	H-7505-PLT	1113-500020-00
38	Washer	4	H-7505-009	1113-130009-00
39	Sleeve	2	H-7505-011	1113-130011-00
40	Bushing	6	H-7505-40Q	0000-001741-00
41	Roll Pin, M4 x 30 mm	2	H-7505-M4X3Q	0000-001794-00

ULINE H-7505
BATTERY PALLET
TRUCK – 2,600 LB

1-800-295-5510
 uline.com

COVERS ASSEMBLY DIAGRAM



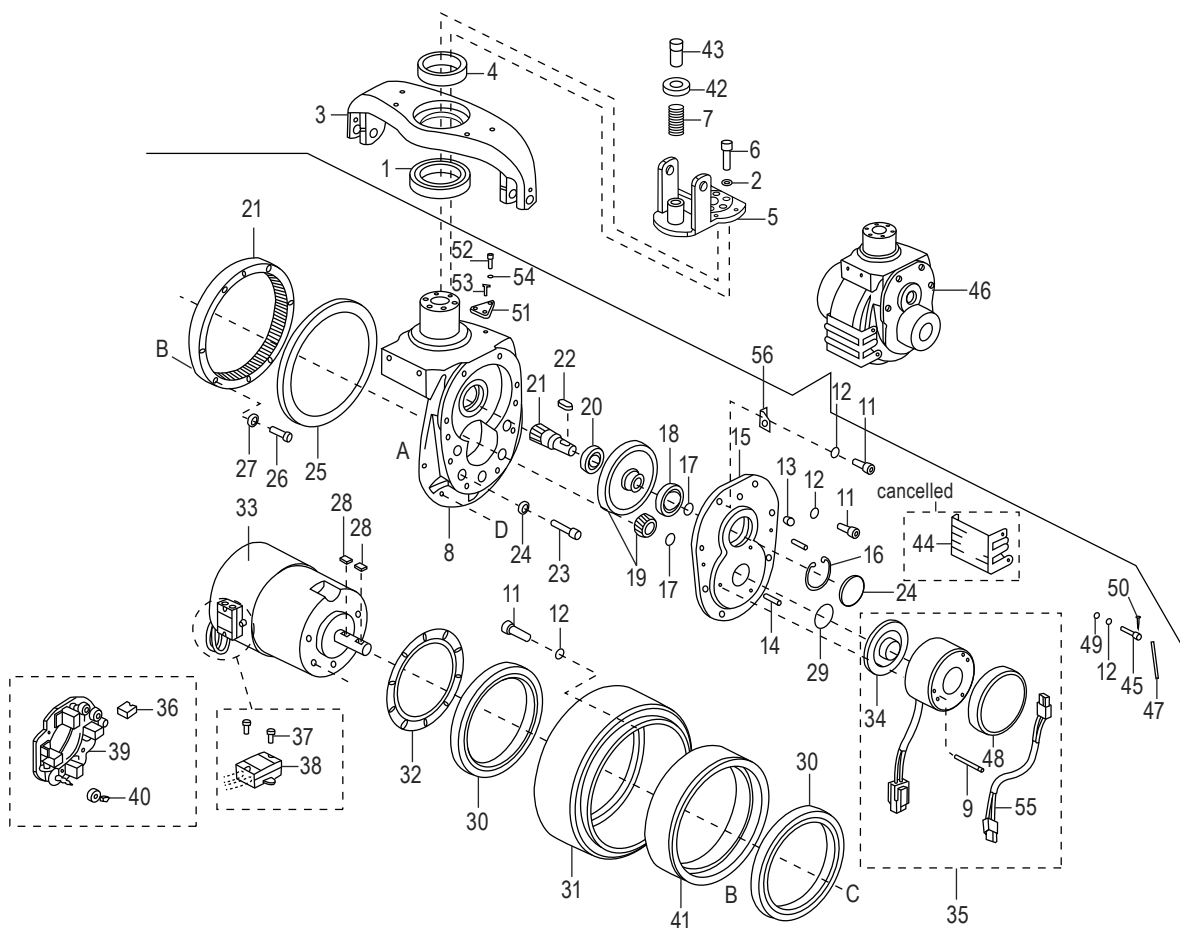
COVERS ASSEMBLY DIAGRAM PARTS LIST

#	DESCRIPTION	QTY.	ULINE PART NO.	MFG. PART NO.
1	Screw M5 x 8 mm	8	H-7505-SCRW	3010-000001-43
2	Screw	4	H-7505-M8X12	2028-000001-41
3	Hydraulic Cover, Plastic – Right	1	H-7505-3	1113-142002-0A
4	Drive Unit Cover	1	H-7505-DUCVR	1113-141002-0B
5	Hydraulic Cover, Plastic – Left	1	H-7505-5	1113-142001-0A

ULINE H-7505 BATTERY PALLET TRUCK – 2,600 LB

1-800-295-5510
uline.com

DRIVE ASSEMBLY DIAGRAM



DRIVE ASSEMBLY PARTS LIST

#	DESCRIPTION	QTY.	ULINE PART NO.	MFG. PART NO.
1	Bearing	1	H-7505-1231	0000-001231-00
2	Lock Washer	5	H-4709-LW159	0000-000159-00
3	Bridge	1	H-7505-BRDG	1113-220001-A0
4	Bearing	1	H-7505-1230	0000-001230-00
5	Bracket	1	H-7505-300	1113-210300-0A
6	Bolt	5	H-7505-BOLT	0000-000169-00
7	Spring	1	H-7522	1113-300002-00
8	Gear Case	1	-----	1113-221101-0A

ULINE H-7505
BATTERY PALLET
TRUCK – 2,600 LB

1-800-295-5510
 uline.com

DRIVE ASSEMBLY PARTS LIST CONTINUED

#	DESCRIPTION	QTY.	ULINE PART NO.	MFG. PART NO.
9	Screw – M4 x 45 mm	3	H-7505-M4X45	3020-010000-10
10	Transmission Cap	1	-----	1115-200007-00
11	Screw	14	H-4709-SC386	0000-000386-00
12	Washer	15	-----	0000-000056-00
13	Grease Fitting	1	-----	0000-000013-00
14	Pin	2	-----	0000-000704-00
15	Gear Box Cap	1	H-4709-GCVR	1115-200001-00
16	Clip	1	-----	0000-000658-00
17	Clip	2	H-4709-CM15	0000-000659-00
18	Bearing	1	H-4709-BR619	0000-000667-00
19	Spiral Gear Set (Includes 2 Gears)	1	H-4709-GK10	1115-GSX-10
20	Bearing	1	H-4709-BR680	0000-000680-00
21	Spiral Gear Set (Includes 2 Gears)	1	H-4709-GK20	1115-GSX-20
22	Key	1	H-4709-KY660	0000-000660-00
23	Screw	5	-----	0000-000026-00
24	Lock Washer	5	H-4709-LW159	0000-000159-00
25	Oil Seal	1	H-7505-OS	0000-001788-00
26	Allen Head Cap Screw – M5 x 25 mm (Used up to Serial # 7281200545)	6	H-4709-M5X25	3020-010000-91
26a	Screw – M5 x 30 mm (Used from Serial # 7281200545)	6	-----	1115-200021-D0
27	Washer	6	H-4709-206	0000-000206-00
28	Keyway	2	H-4709-KEY	0000-000662-00
29	Oil Seal	1	H-4709-29	0000-000671-00
30	Bearing	2	H-4709-61824	0000-000663-00
31	Drive Wheel	1	H-4709-DW2	1115-220000-D0
31	Drive Wheel – Treaded	1	H-7505-DRIVQ	1115-220000-E0
32	Drive Baffle	1	H-4709-BAFFL	1115-200010-00
33	Motor – Drive	1	H-4709-DMTR	1115-250000-00
34	Brake Disc	1	-----	1115-240001-00
35	Brake Assembly	1	H-4709BASSY	1115-520012-10
36	Brushes, Drive Motor	4	-----	1115-250001-00
37	Screw	2	H-4709-004	0000-000004-00
38	Terminal Block	1	H-4709-TBLCK	1115-231000-00
39	Brush Holder	1	-----	1115-250003-00
40	Spring – Motor Brush	4	-----	1115-250002-00

ULINE H-7505
BATTERY PALLET
TRUCK – 2,600 LB

1-800-295-5510
 uline.com

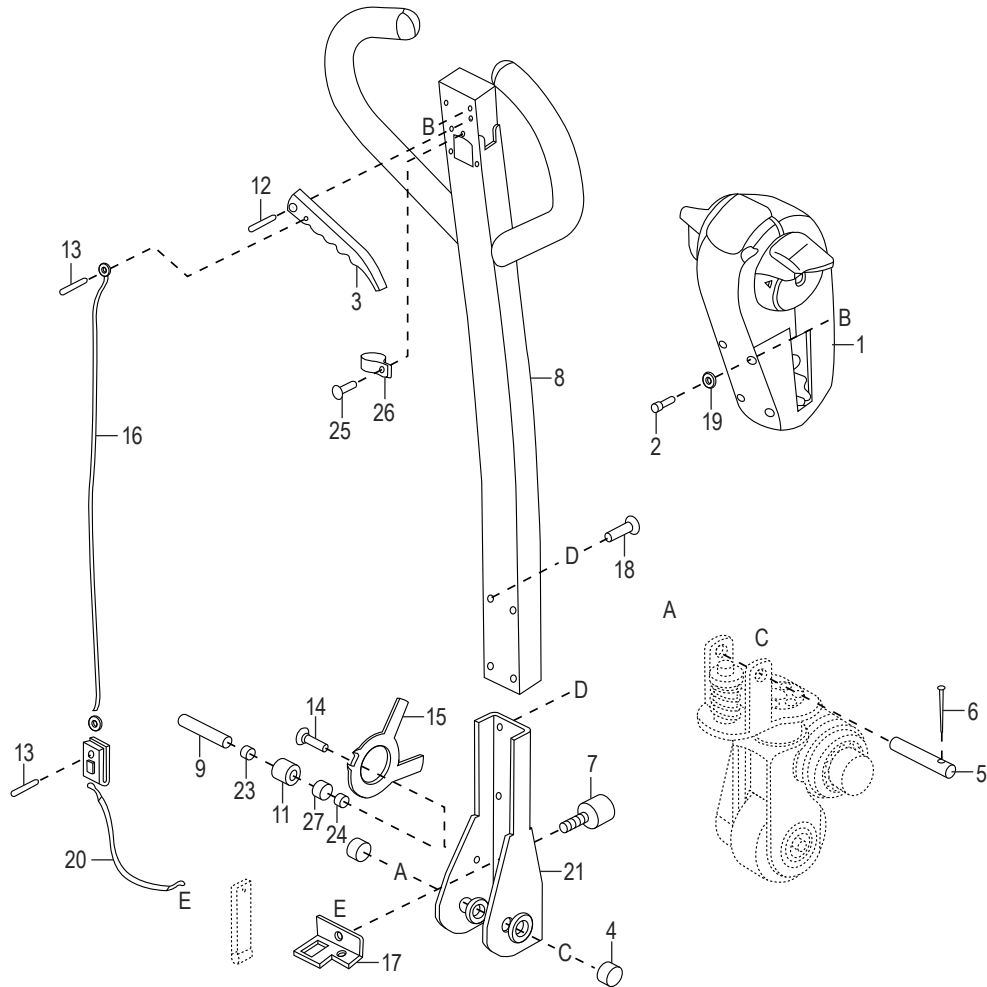
DRIVE ASSEMBLY PARTS LIST CONTINUED

#	DESCRIPTION	QTY.	ULINE PART NO.	MFG. PART NO.
41	Inner Rim Kit (Used up to Serial # 7281200545) Includes: • Inner Rim (1) • Screw – M5 x 30 mm (6) • Washer (6)	1	H-4709-IR	977021
41a	Inner Rim (Used from Serial # 7281200545)	1	H-4709-IRIM	1115-200001-D0
42	Spring Bearer	1	H-7505-200	1113-300202-00
43	Spring Guidepost	1	H-7505-100	1113-300201-00
45	Screw	1	-----	3020-180000-02
46	Drive Assembly	1	H-7505-DRIVE	1113-221000-00
46	Drive Assembly – Treaded Wheel	1	H-7505-DRIVQ	1113-200000-01
47	Chain	1	H-7505-CG	1113-500021-0A
48	Scraper Seal	1	-----	1115-240002-0A
49	Flat Washer	1	-----	0000-000380-00
50	Cotter Pin, 1.6 x 32 mm	1	H-7505CP	0000-001577-00
55	Wire Harness	1	H-7505-WHB	1113-520022-00
56	Plate	1	-----	1115-200020-00

ULINE H-7505 BATTERY PALLET TRUCK – 2,600 LB

1-800-295-5510
uline.com

STEERING ARM DIAGRAM



STEERING ARM PARTS LIST

#	DESCRIPTION	QTY.	ULINE PART NO.	MFG. PART NO.
1	Control Head (Used up to Serial # 7291000191)	1	H-7513	1113-301000-00
1b	Control Pod Assembly From Serial # 7291000192 – Includes Upright Walking Option	1	H-7505-CPA	1113-31000X-00
2	Screw M4 x 12 mm	2	H-7505-M4X12	0000-001029-00
3	Release Lever	1	-----	1113-313000-00
4	Bushing	2	H-7505-BH	2028-019000-35
5	Shaft	1	H-7521	1113-300003-00
6	Roll Pin	1	-----	0000-001023-00

ULINE H-7505
BATTERY PALLET
TRUCK – 2,600 LB

1-800-295-5510
 uline.com

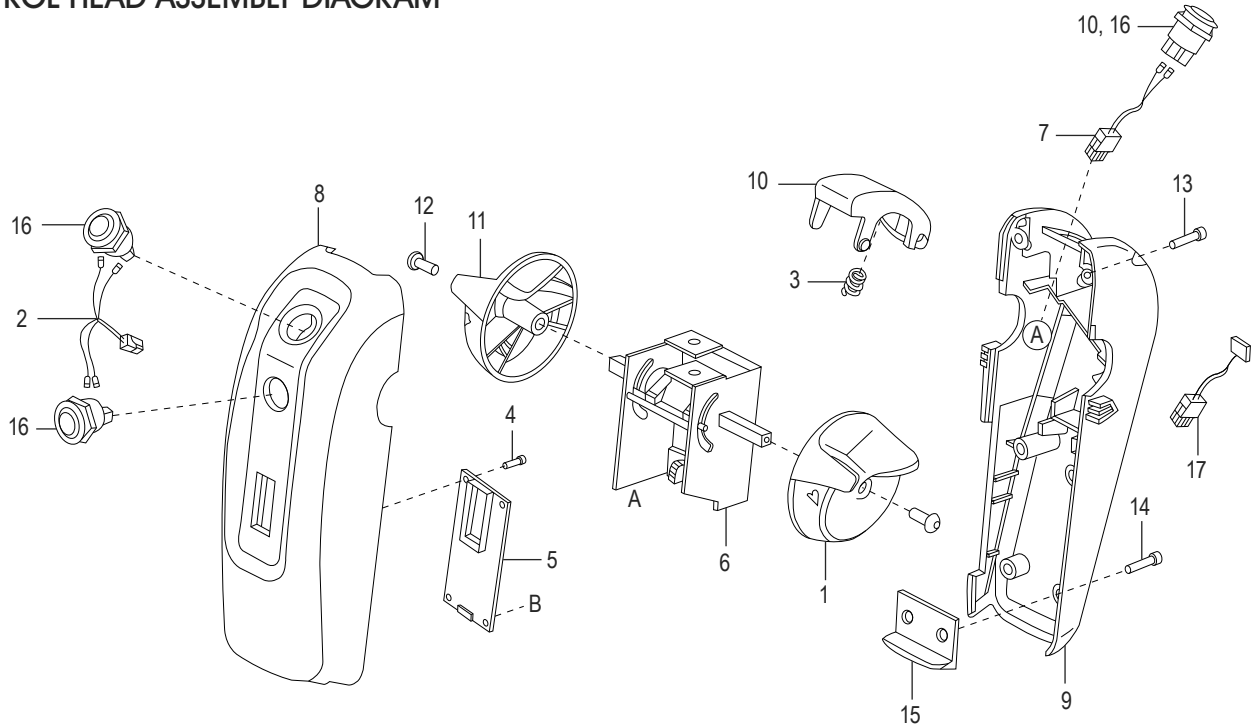
STEERING ARM PARTS LIST CONTINUED

#	DESCRIPTION	QTY.	ULINE PART NO.	MFG. PART NO.
7	Bumper	1	H-7523	1113-300001-00
8	Steer Handle	1	H-7520	1113-312000-0A
9	Shaft, Handle Pivot	1	H-7505-HPS	1113-300007-00
11	Roller	1	H-7505-ROLLR	1113-300006-00
12	Roll Pin, M6 x 30 mm	1	H-7505-M6X30	0000-001235-10
13	Roll Pin, M4 x 12 mm	1	H-7505-M412P	0000-001236-10
14	Screw M5 x 8 mm	2	H-7505-M5X8	0000-001707-00
15	Actuator	1	H-7505-ACUTR	1113-500011-0A
16	Steel Wire	1	H-7505-STLWR	1113-314002-0A
17	Bracket	1	H-7505-BRKTQ	1113-314003-00
18	Screw M6 x 10	4	H-7505-M6X10	0000-001703-00
19	Lock Washer Ø4	2	H-7505-WASH4	0000-000122-00
20	Lowering Linkage	1	H-7534	1113-314004-0A
21	Bracket	1	H-7505-BCKT	1113-315000-0A
22	Steel Wire Clamp	1	H-7505-SWCLP	1113-314005-0A
23	Sleeve	1	H-7505-SLV	2028-019000-14
24	Sleeve	1	-----	2028-019000-23
25	Screw M4 x 8 mm	1	-----	0000-000416-00
26	R Harness Clamp Uc-1.5	1	-----	0000-001103-00
27	Bushing	1	-----	2028-019000-12

ULINE H-7505 BATTERY PALLET TRUCK – 2,600 LB

1-800-295-5510
uline.com

CONTROL HEAD ASSEMBLY DIAGRAM



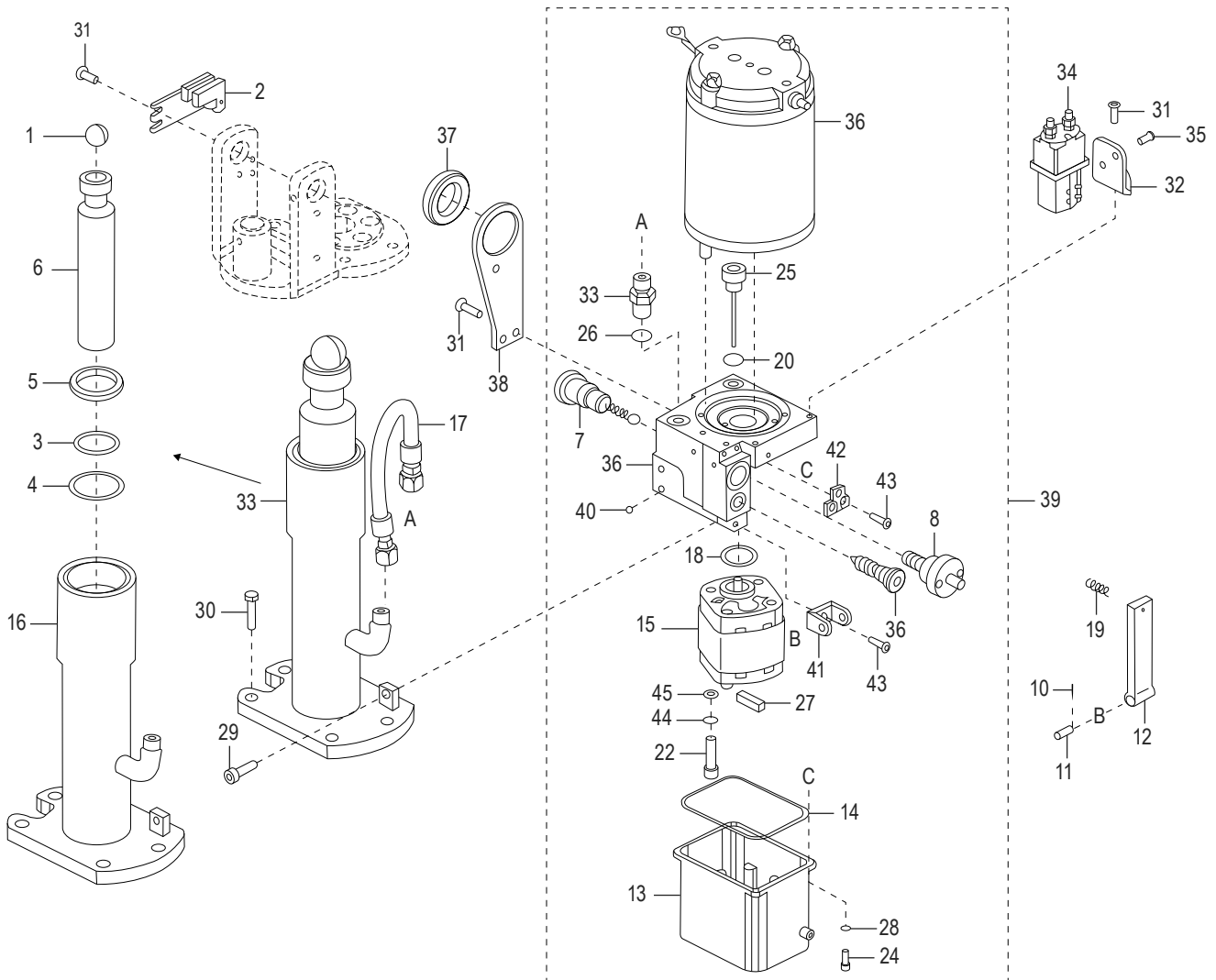
CONTROL HEAD ASSEMBLY DIAGRAM PARTS LIST

#	DESCRIPTION	QTY.	ULINE PART NO.	MFG. PART NO.
1	Control Knob Left Side	1	H-7505-CKLS	1113-301003-00
2	Lift And Horn Wire	1	H-7531	1113-520005-00
3	Spring	1	H-7538	1113-301006-00
4	Screw M3 x 5 mm	4	-----	0000-001630-00
5	Battery Indicator / Hourmeter (Bdi)	1	H-7505-3011	1113-301100-10
6	Accelerator	1	H-7507	1113-301200-00
7	Emergency Reverse Switch Wiring	1	H-7505-ERSH	1113-520013-00
8	Top Cover	1	H-7505-TPCVR	1113-301004-00
9a	Bottom Cover (Used up to Serial # 7291000191)	1	H-7505-BTMCV	1113-301005-00
9b	Bottom Cover (Used from Serial # 7291000191)	1	H-7505-BCN	1113-301005-E0
10	Emergency Reverse Button	1	H-7505-EMERG	1113-301002-00
11	Control Knob Right Side	1	H-7505-CKRS	1113-301001-00
12	Screw M3 x 12 mm	2	H-7505-M2X13	0000-001722-00
13	Screw M4 x 45 mm	2	H-7505-M4X45	0000-00065-00
14	Screw M4 x 30 mm	2	H-7505-M4X30	0000-001031-00
15	Mounting Plate	1	H-7505-PLATE	1113-301007-00
16	Pushbutton Switch, No Wires	3	H-7517	1121-522000-00
17	Upright Walking Wire Harness	1	H-7505-UWWH	1113-520004-E3
18	Label	1	-----	5080-00033-71

ULINE H-7505 BATTERY PALLET TRUCK – 2,600 LB

1-800-295-5510
uline.com

HYDRAULIC SYSTEM DIAGRAM



HYDRAULIC SYSTEM PARTS LIST

#	DESCRIPTION	QTY.	ULINE PART NO.	MFG. PART NO.
1	Steel Ball	1	H-7505-SB	1121-410001-00
2	Interlock Switch	1	H-7539	1113-502000-0A
3	Seal Ring 42 x 32 x 2 mm	1	-----	1113-411002-00
4	Packing	1	-----	0000-000973-00
5	Wiper Ring	1	-----	0000-000978-00
6	Piston Rod	1	-----	1113-413100-20
7	Check Valve	1	H-7505-CV	1113-421000-00
8	Safety Valve	1	H-7505-SV	1113-422000-00

ULINE H-7505
BATTERY PALLET
TRUCK – 2,600 LB

1-800-295-5510
 uline.com

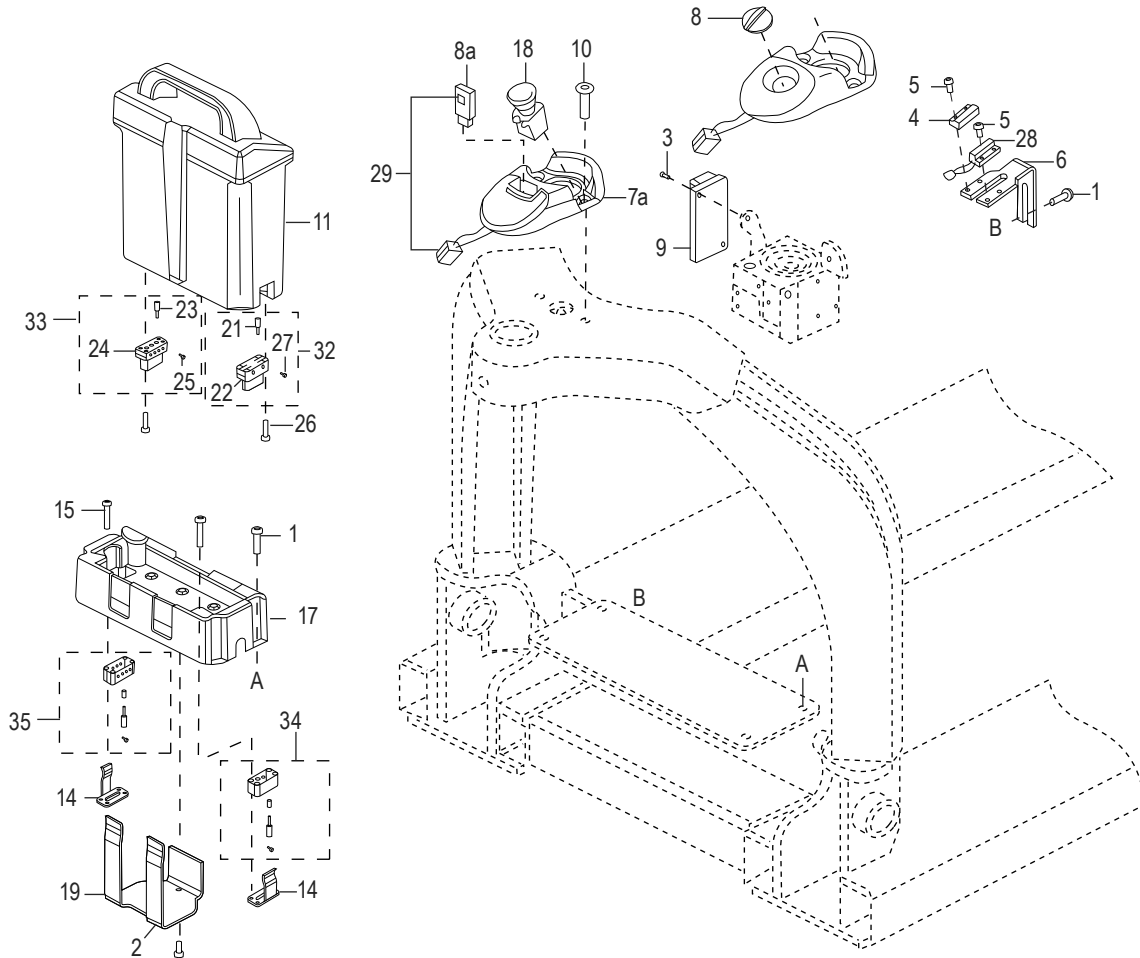
HYDRAULIC SYSTEM PARTS LIST CONTINUED

#	DESCRIPTION	QTY.	ULINE PART NO.	MFG. PART NO.
9	Manual Valve	1	H-7505-MV	1113-423000-00
10	Cotter Pin – 1.6 x 32 mm	1	H-7505-CD	0000-001577-00
11	Pin – 6 x 35 mm	1	H-7505-P6X35	0000-001257-00
12	Plate	1	H-7505-LP	1113-400001-00
13	Reservoir	1	H-7505-RES	1113-440003-00
14	Seal Ring	1	H-7505-SR	1113-440004-00
15	Pump	1	-----	1113-436000-00
16	Cylinder Tube	1	H-7505CYLI6Q	1113-411003-20
17	Hydraulic Hose	1	-----	1113-431000-10
18	O-Ring – 17 x 1.5 mm	1	-----	0000-001624-00
19	Spring	1	-----	1113-300005-00
20	Seal Washer	1	H-7505-SW	1113-440007-01
21	Motor, Pump	1	H-7505-MTP	1113-433000-00
22	Screw – M5 x 63 mm	4	-----	0000-001632-00
23	Connector	1	-----	2701-121200-00
24	Screw	4	-----	2028-007000-28
25	Dip Stick	1	H-7505-DIP	1113-440007-00
26	Washer – M12	1	-----	0000-001674-00
27	Magnet	1	-----	1113-430007-00
28	Lock Washer	4	H-7505-WASH4	0000-000122-00
29	Bolt – M6 x 12 mm	3	H-7505BLT29Q	0000-001613-00
30	Bolt – M8 x 20 mm	4	H-7505BLT30Q	0000-001627-00
31	Screw – M5 x 10 mm	5	H-4709-22	0000-001616-00
32	Plate II	1	-----	1113-430003-00
33	Cylinder Assembly	1	H-7505-CYLAS	1113-411000-20
34	Contact	1	H-7505-CNTCT	1113-500006-10
35	Screw – M4 x 8 mm	2	H-7505-M4X8	0000-001609-00
36	Valve Manifold	1	-----	1113-441000-00
37	Grommet	1	H-7505-GROMQ	1113-500022-0A
38	Plate	1	-----	1113-430002-00
39	Pump & Motor Assembly (If Serial # Of Truck Is Prior To 727202209 Also Change Hydraulic Compartment Covers 1113-142001-0a And 1113-142002-0a)	1	H-7505-PUMP	1113-440000-0A
40	Steel Ball	5	-----	1113-440006-00
41	Bracket	1	-----	1113-440002-00
42	Bracket	1	-----	1113-440001-00
43	Screw	3	-----	3020-030000-17
44	Washer	3	H-4709-206	0000-000206-00
45	Flatwasher	3	H-4709-390	0000-000390-00
46	Seal Kit (Includes #3 & #5)	1	H-7505-SK	1113-ZZG-0A

ULINE H-7505 BATTERY PALLET TRUCK – 2,600 LB

1-800-295-5510
uline.com

ELECTRICAL SYSTEM DIAGRAM



ELECTRICAL SYSTEM PARTS LIST

#	DESCRIPTION	QTY.	ULINE PART NO.	MFG. PART NO.
1	Screw – M5 x 10 mm	6	H-7505-M5X10	0000-001610-00
2	Screw – M4 x 8 mm	3	H-7505-M4X8	0000-001609-00
3	Screw – M5 x 25 mm	2	H-7505-CS	0000-001619-00
4	Magnet, Reed Switch	1	H-8034	1113-500003-00
5	Screw – M3 x 6 mm	2	H-7505-M3X6Q	0000-001618-00
6	Bracket	1	H-7505-BRK6Q	1113-500014-00
8	Key	1	H-7505-KEY	1113-540100-0A

ULINE H-7505
BATTERY PALLET
TRUCK – 2,600 LB

1-800-295-5510
 uline.com

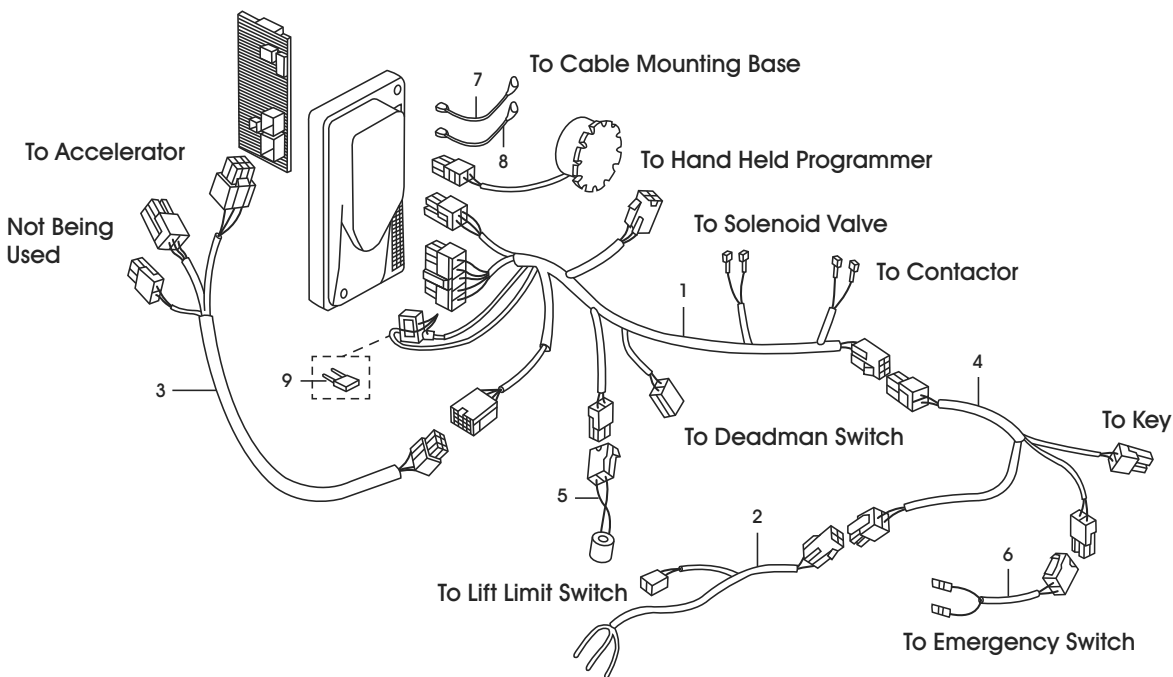
ELECTRICAL SYSTEM PARTS LIST CONTINUED

#	DESCRIPTION	QTY.	ULINE PART NO.	MFG. PART NO.
9	Controller Programmed For E25	1	H-7514	1113-500008-00-50
10	Screw M5 x 10 mm	2	H-4709-22	0000-000616-00
11	Lithium Ion Battery Pack	1	H-7506	1113-513000-0H
14	Battery Splint	2	H-7505-BATSP	1113-511002-00
15	Screw M3 x 16 mm	8	H-7505-SCWM3	0000-001342-00
17	Bracket	1	H-7505-BKT01	1113-511001-00
18	Emergency Stop Switch	1	H-7518	1113-500012-01
19	Bracket, Spring Action	1	H-7505-CLAMP	1113-511004-00
21	Contact Socket	2	H-8143	1113-513002-00
22	Part Of Kit #32	1	Part of H-7505-2BRKT	1113-513003-00
23	Contact Socket	4	H-8146	1113-513001-00
24	Bracket	1	-----	1113-513004-00
25	Screw M3 x 10 mm	4	H-8144	0000-001616-00
26	Screw M3 x 14 mm	8	-----	0000-001631-00
27	Screw	2	H-8149	0000-001617-00
28	Reed Switch	1	H-7505-RS	1113-500001-00
29	Switch Base and Key Assembly	1	H-7527	1113-540000-0A
32	Bracket Assembly (2-Socket) Includes: • Bracket #12 (1) • Contact Socket #21 (2) • Screw M3 x 10 mm #27 (2)	1	H-7505-2BRKT	LB00-00000Z-02
33	Bracket Assembly (4-Socket) Includes: • Bracket #24 (1) • Contact Socket #23 (4) • Screw M3 x 10 mm #25 (4)	1	H-7505-BRCKT	LB00-00000Z-01
34	Bracket Assembly (2-pin) Includes: • Bracket (1) • Pin (2) • Screw M3 x 10 mm (2) • Spring Sleeve (2)	1	H-7505-2PBA	1113-511011-00
35	Bracket Assembly (4-pin) Includes: • Bracket (1) • Pin (4) • Screw M3 x 10 mm (4) • Spring Sleeve (4)	1	H-7505-4PBA	1113-511010-00

ULINE H-7505 BATTERY PALLET TRUCK – 2,600 LB

1-800-295-5510
uline.com

WIRING HARNESS DIAGRAM



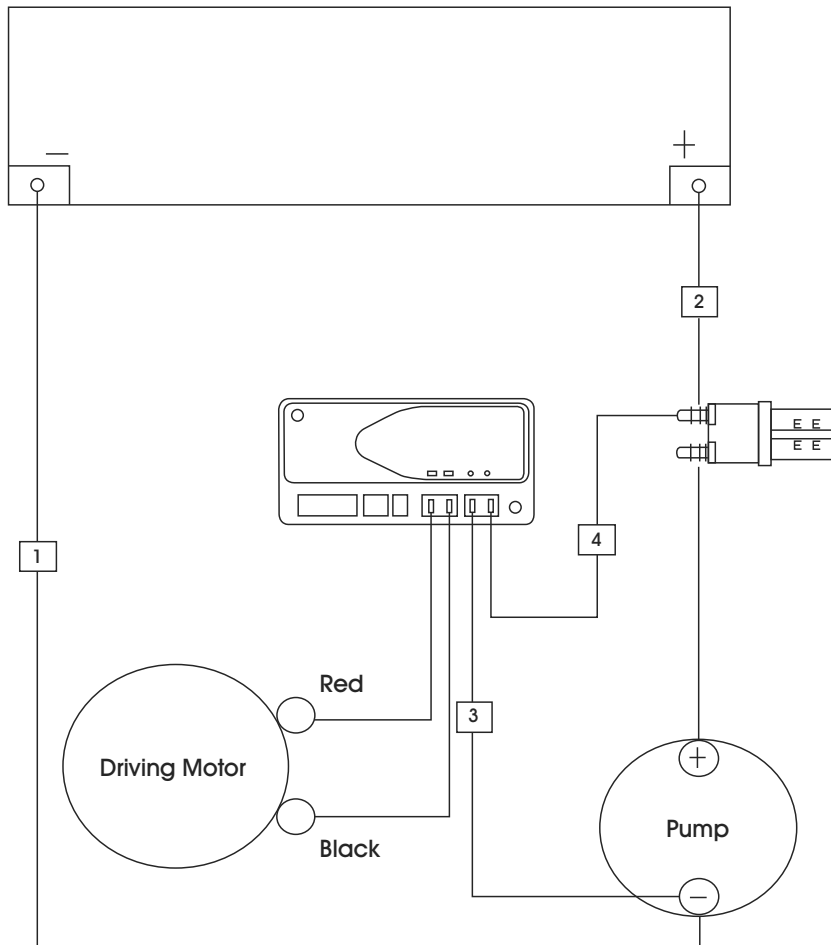
WIRING HARNESS PARTS LIST

#	DESCRIPTION	QTY.	ULINE PART NO.	MFG. PART NO.
1	Main Wire Harness	1	H-7535	1113-520001-10
2	Wire Harness	1	H-7540	1113-520014-00
3	Wire Harness (Used for serial numbers less than 7291000192)	1	H-7530	1113-520004-00
3a	Wire Harness (Used for serial numbers greater than 7291000192)	1	H-7505-WH	1113-520004-1A
4	Wire Harness	1	H-7505-WIRE	1113-520010-0A
5	Horn W/ Connector	1	H-7529	1113-520006-00
6	Emergency Disconnect Wire Harness	1	H-7505-6	1113-520012-00
7	Wire M1	1	-----	1113-530005-0A
8	Wire M2	1	-----	1113-530006-0A
9	Fuse 5A	1	H-7519	1113-520025-00

ULINE H-7505
BATTERY PALLET
TRUCK – 2,600 LB

1-800-295-5510
 uline.com

WIRING CABLES DIAGRAM (UP TO SERIAL # 7311905397)



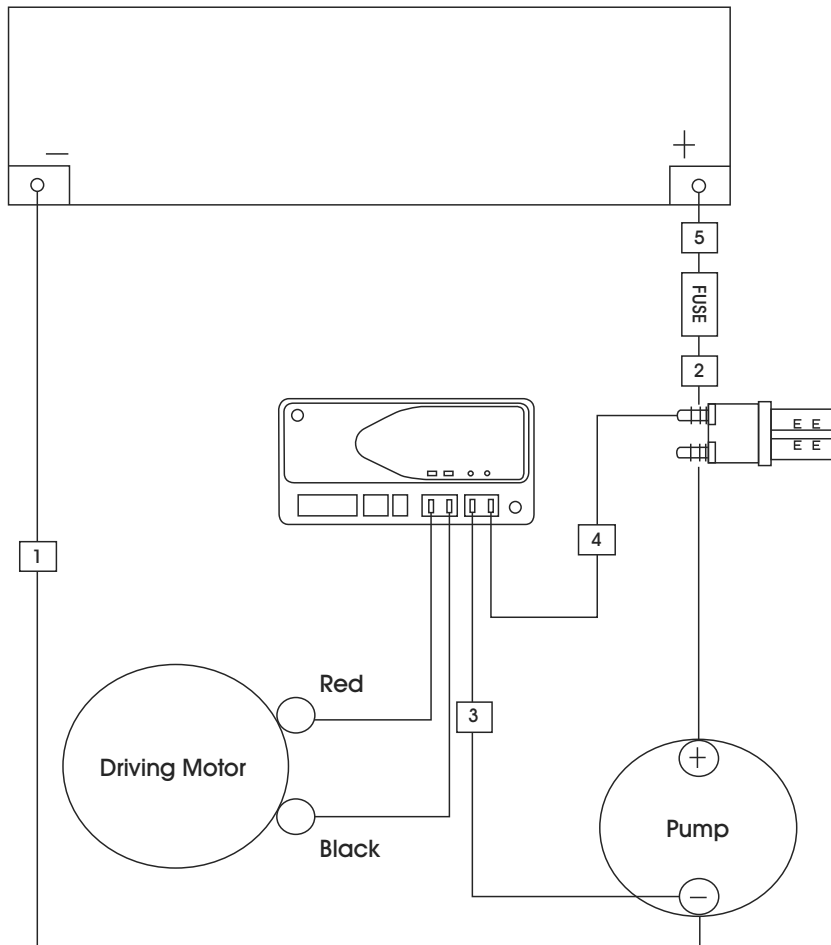
WIRING CABLES PARTS LIST

#	DESCRIPTION	QTY.	ULINE PART NO.	MFG. PART NO.
1	Power Cable (-)	1	H-7505-NEG	1113-530001-0A
2	Power Cable (+)	1	H-7505-POS	1113-530002-0A
3	Controller (-)	1	-----	1113-530004-00
4	Controller (+)	1	-----	1113-530003-00

ULINE H-7505
BATTERY PALLET
TRUCK – 2,600 LB

1-800-295-5510
 uline.com

WIRING CABLES DIAGRAM (FROM SERIAL # 7311905398)



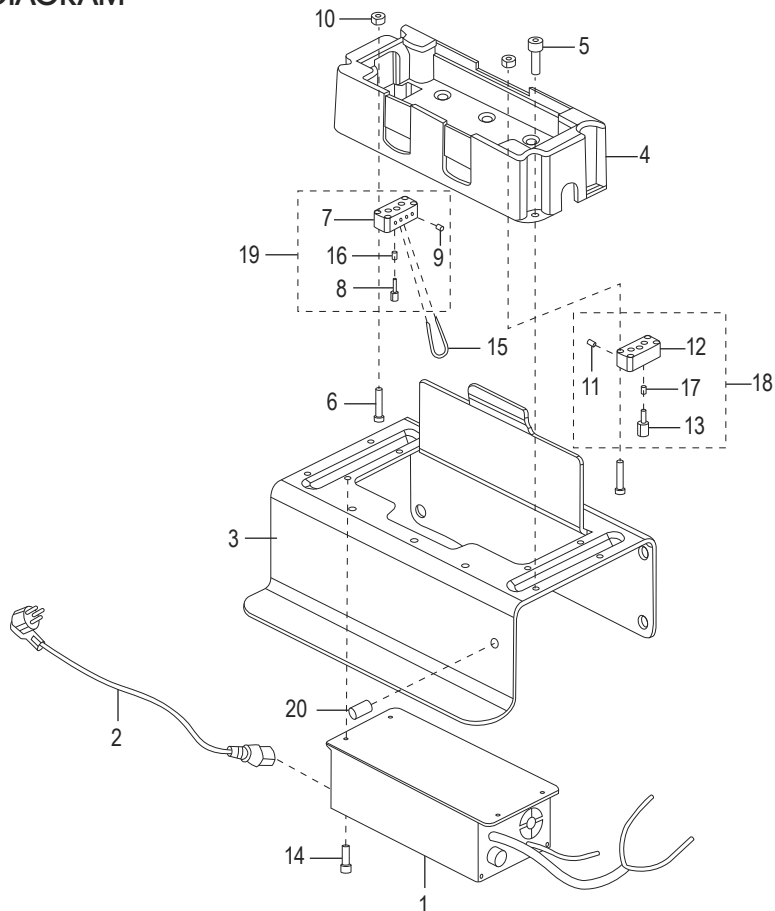
WIRING CABLES PARTS LIST

#	DESCRIPTION	QTY.	ULINE PART NO.	MFG. PART NO.
1	Power Cable (-)	1	-----	1113-530001-0A
2	B+ Cable Fuse to Contactor	1	H-7505-3700	1113-520037-00
3	Controller (-)	1	-----	1113-530004-00
4	Controller (+)	1	-----	1113-530003-00
5	B+ Cable Battery to Fuse	1	H-7505-3600	1113-520036-00

ULINE H-7505 BATTERY PALLET TRUCK – 2,600 LB

1-800-295-5510
uline.com

CHARGER ASSEMBLY DIAGRAM



CHARGER ASSEMBLY PARTS LIST

#	DESCRIPTION	QTY.	ULINE PART NO.	MFG. PART NO.
	Charger Kit Includes 0 And 2A	1	-----	908947
0	Charging Assembly Includes: • Bracket, Spring Action (19) • Contact Socket (23) • Screw M3 x 10 mm (25)	1	H-7505-CHGRA	1113-51220Z-40
1	Charger	1	H-7505-CHRGQ	1113-512200-40
2	Charger Cable (Rubber Charger Cap Not Included)	1	H-4709CHRCBL	1115-500006-10
2a	Charger Cord	1	H-7505-CCORD	1120-510002-00-08
3	Bracket, Charger	1	-----	1113-512100-0A
4	Bracket	1	H-7505-BKT01	1113-511001-00
5	Screw M5 x 10 mm	4	H-7505-M5X10	0000-001610-00
6	Screw M3 x 16 mm	4	H-7505-SCWM3	0000-001342-00
7	Bracket	1	H-7505-BKT05	1113-511005-00
8	Contact Pin	4	H-7505-CTPIN	1113-511006-0A

ULINE H-7505
BATTERY PALLET
TRUCK – 2,600 LB

1-800-295-5510
 uline.com

CHARGER ASSEMBLY PARTS LIST CONTINUED

#	DESCRIPTION	QTY.	ULINE PART NO.	MFG. PART NO.
9	Screw	4	H-8144	0000-001616-00
10	Nut, M3	8	-----	0000-000982-00
11	Screw	2	H-8149	0000-001617-00
12	Bracket	1	H-7505-BKT03	1113-511003-00
13	Contact Pin	2	H-8145	1113-511007-0A
14	Screw	4	-----	0000-001705-00
15	Safety Circuit Wire	1	-----	1113-520017-00
16	Spring Sleeve	4	H-8147	1113-511009-0A
17	Spring Sleeve	2	H-8148	1113-511008-0A
18	Bracket Assembly (2-pin) Includes: • Bracket #12 (1) • Pin (2) • Set Screw (2)	1	H-7505-2PBA	1113-511011-00
19	Bracket Assembly (4-pin) Includes: • Bracket #7 (1) • Pin (4) • Set Screw (4)	1	H-7505-4PBA	1113-511010-00
20	Led Socket	1	-----	1113-511012-00

ULINE H-7505
PATÍN HIDRÁULICO DE
BATERÍA – 2,600 LBS

800-295-5510
 uline.mx

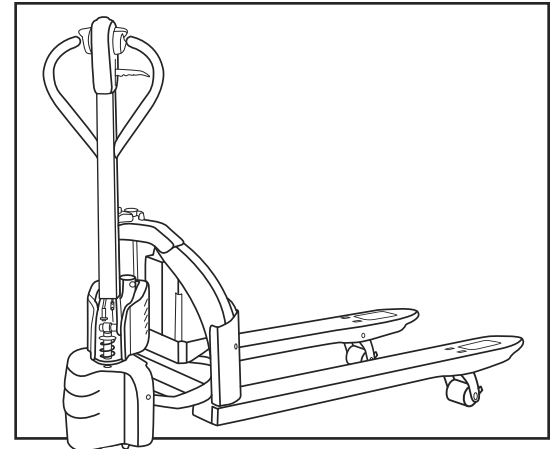
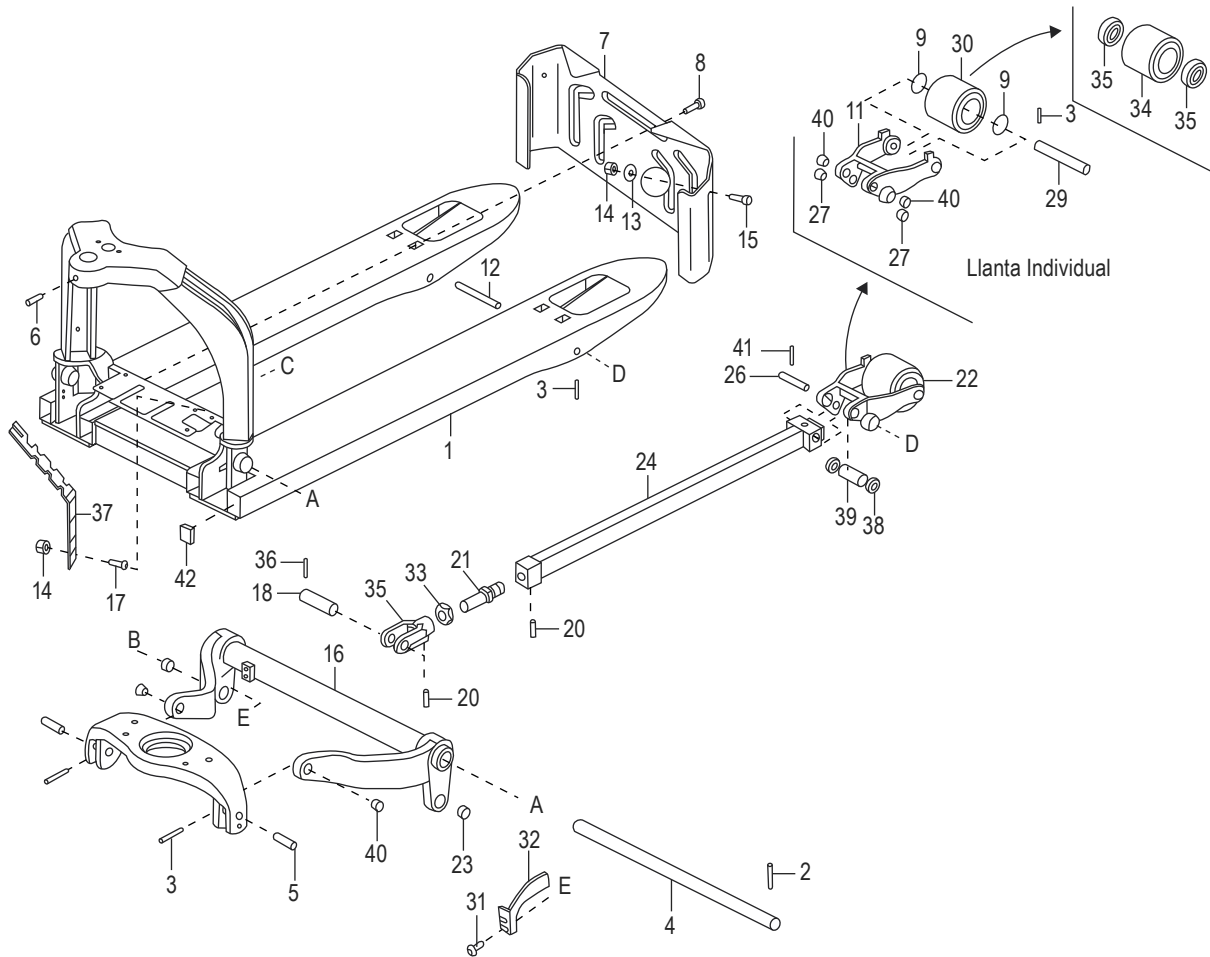


DIAGRAMA DE ENSAMBLE DEL ARMazón



LISTA DE PARTES DEL DIAGRAMA DE ENSAMBLE DEL ARMazón

#	DESCRIPCIÓN	CANT.	NO. DE PARTE DE ULINE	NO. DE PARTE DEL FABRICANTE
1	Armazón con Ancho de 27"	1	-----	1113-110000-0A-01
2	Pasador del Rodillo M6 x 35	1	-----	0000-001333-00
3	Pasador del Rodillo	2	H-4709-RPIN	0000-000708-00
4	Eje Largo del Armazón de 27" de Ancho	1	-----	1113-130001-00
5	Eje Corto	2	-----	1121-130002-00
6	Tornillo M6 x 20 mm	1	H-7505-M6X2Q	0000-001615-00

ULINE H-7505
PATÍN HIDRÁULICO DE
BATERÍA – 2,600 LBS

800-295-5510
 uline.mx

CONTINUACIÓN DE LA LISTA DE PARTES DEL DIAGRAMA DE ENSAMBLE DEL ARMAZÓN

#	DESCRIPCIÓN	CANT.	NO. DE PARTE DE ULINE	NO. DE PARTE DEL FABRICANTE
7a	Cubierta de 27" de Ancho (Utilizada hasta el No. de Serie 727120189)	1	-----	1113-144000-0A-30
7b	Cubierta de 27" de Ancho (Utilizada desde el No. de Serie 727120189)	1	-----	1113-144000-0B-30
8a	Tornillo de M8 x 20 mm (Utilizado hasta el No. de Serie 7301500518)	2	H-4705-2100	0000-001621-00
8b	Tornillo de M8 x 30 mm (Utilizado hasta el No. de Serie 7301500518)	2	-----	2028-000001-35
9	Rondana Plana	4	H-7505-WASHQ	0000-000172-00
11a	Soporte para Llanta (Utilizado hasta el No. de Serie 729160865)	2	H-7505-LWBKQ	1113-130006-00
11b	Soporte para Llanta (Utilizado desde el No. de Serie 729160865)	2	-----	1113-130006-E0
12	Pivote del Eje de la Abrazadera para Llanta	2	H-7505-WHBRQ	1113-130005-00
13	Rondana Plana	2	H-7505-FW	0000-000210-00
14	Tuerca	2	H-4705-4000	0000-000740-00
15a	Tornillo de M8 x 45 mm (Utilizado hasta el No. de Serie 7301500518)	2	H-4705-0027	2028-007000-27
15a	Tornillo de M8 x 50 mm (Utilizado desde el No. de Serie 7301500518)	2	-----	2028-000001-36
16	Eslabón Inferior E25 del Armazón de 27" de Ancho	1	-----	1113-131000-00A
17	Perno de M8 x 30 mm	2	-----	2028-004000-10
18	Pivote del Eje de la Varilla de Apoyo	2	-----	1113-130003-00
20	Tornillo de Ajuste	4	H-7505-20	0000-001793-00
21	Remaches Roscados	2	H-7505-STUDQ	1113-132300-00
22	Kit de Llanta y Soporte para Carga Incluye: • 1 Pasador del Rodillo #3 • 6 Casquillos #4 • 2 Rondanas Planas #9 • 1 Abrazadera para Llanta #11 • 2 Casquillos #27 • 1 Rondana Cónica #29 • 1 Ensamble de Llanta de Carga #30	2	H-7505-LBKQ	1113-130015-E1
23	Casquillo	2	H-7505-23Q	0000-001629-00
24	Varilla de Apoyo	2	-----	1113-132200-00
25	Conector Tipo Grillete	2	H-7505-CNCTR	1113-132100-0A

ULINE H-7505
PATÍN HIDRÁULICO DE
BATERÍA – 2,600 LBS

800-295-5510
 uline.mx

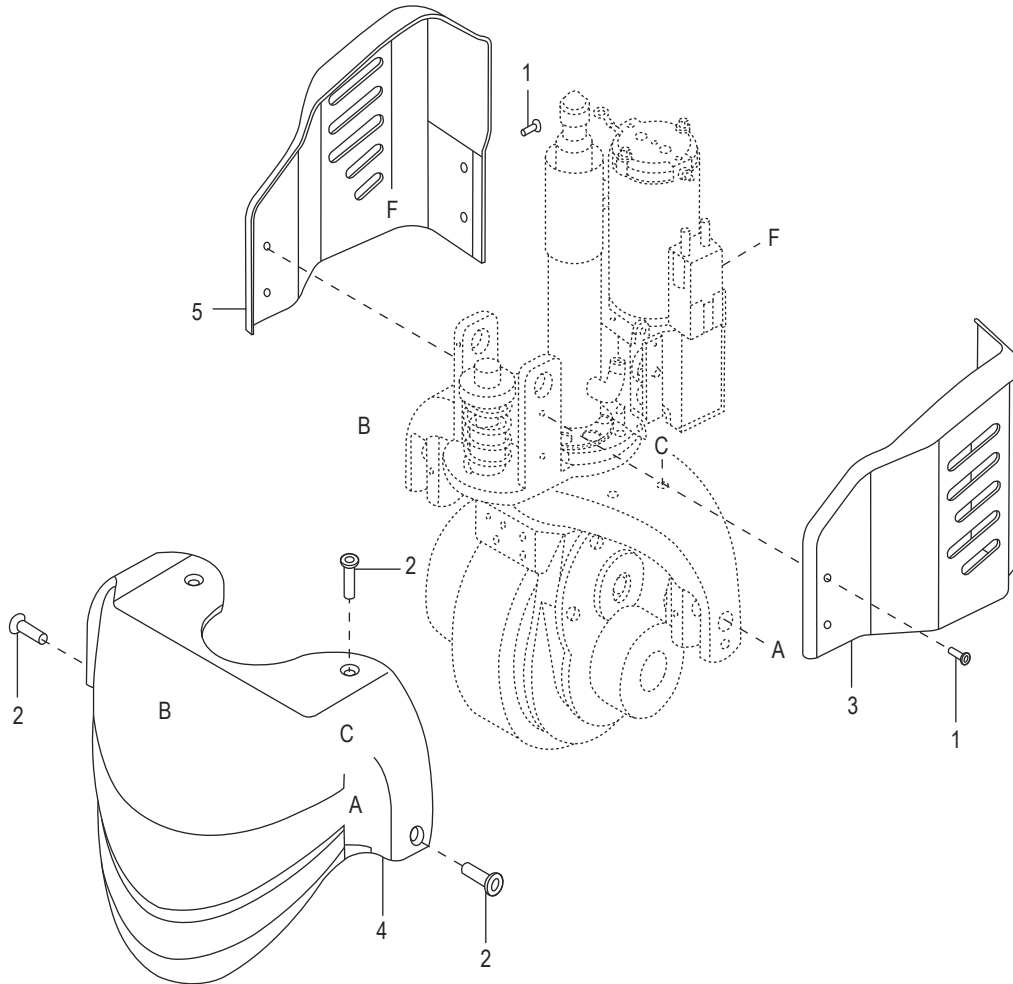
CONTINUACIÓN DE LA LISTA DE PARTES DEL DIAGRAMA DE ENSAMBLE DEL ARMAZÓN

#	DESCRIPCIÓN	CANT.	NO. DE PARTE DE ULINE	NO. DE PARTE DEL FABRICANTE
26	Pivote del Eje de la Cubierta de Rueda	2	H-7505-PSWH	1113-130004-0A
27	Casquillo	4	H-7505-BUSH	0000-001742-00
29	Eje Axial de la Llanta de Carga	2	H-7505-29Q	1113-130010-00
30	Kit de Ensamble de la Llanta de Carga (Con Baleros) Incluye: • 1 Llanta de Carga de Poliuretano #34 • 2 Baleros #35	2	H-4709LASSY	1115-133000-40
31	Perno M4 x 6 mm	2	H-7505-M4X6Q	0000-001704-00
32	Accionador de Liberación	1	H-7505-RA	1113-500013-00
33	Tuerca M20 x 1.5 mm	2	-----	0000-000561-00
34	Llanta de Carga de Poliuretano	2	H-7532	1115-133002-4B
35	Casquillo	4	H-4709BRNG	0000-000020-00
36	Pasador del Rodillo M4 x 30 mm	2	-----	0000-001482-00
37	Placa	1	H-7505-PLI	1113-500020-00
38	Rondana	4	H-7505-009	1113-130009-00
39	Funda	2	H-7505-011	1113-130011-00
40	Casquillo	6	H-7505-40Q	0000-001741-00
41	Pasador del Rodillo M4 x 30 mm	2	H-7505-M4X3Q	0000-001794-00

ULINE H-7505
PATÍN HIDRÁULICO DE
BATERÍA – 2,600 LBS

800-295-5510
 uline.mx

DIAGRAMA DE ENSAMBLE DE LAS CUBIERTAS



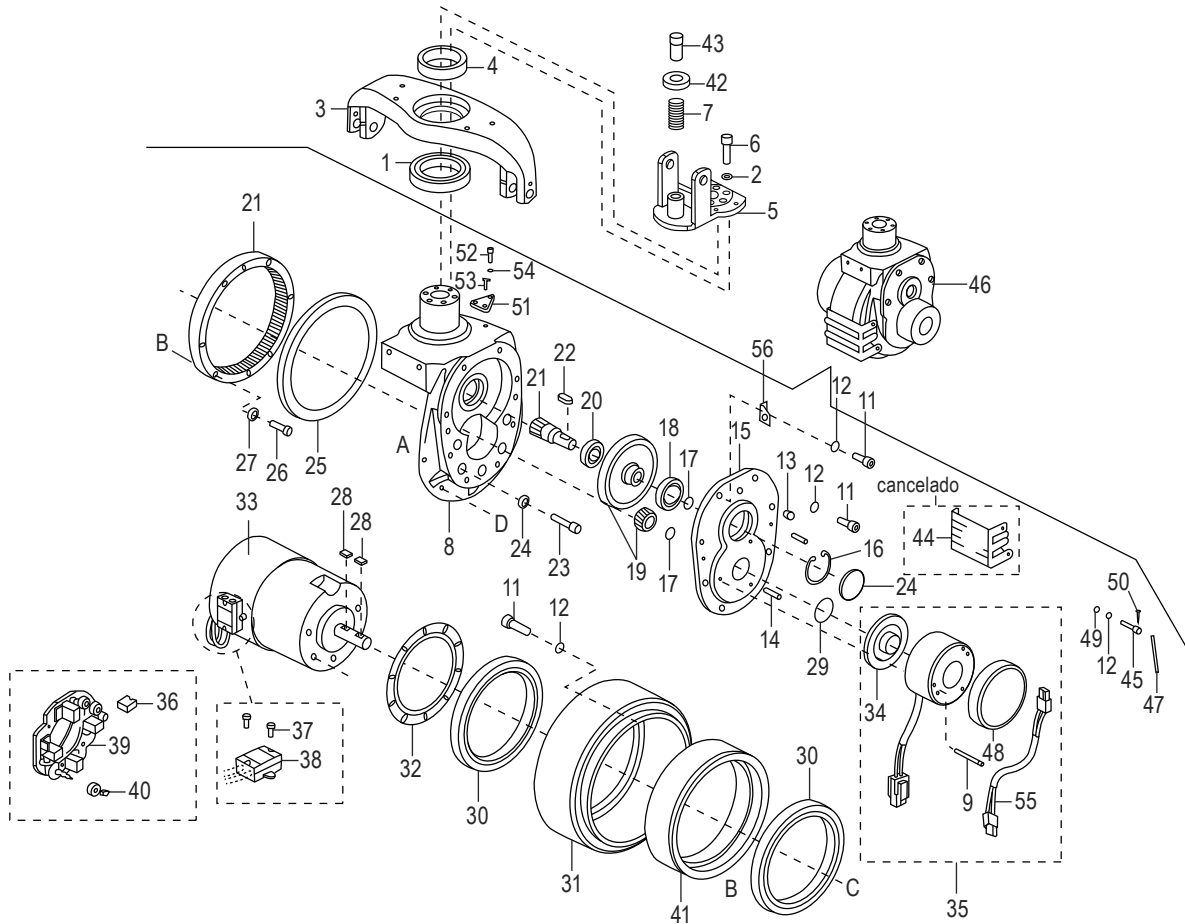
LISTA DE PARTES DEL DIAGRAMA DE ENSAMBLE DE LAS CUBIERTAS

#	DESCRIPCIÓN	CANT.	NO. DE PARTE DE ULINE	NO. DE PARTE DEL FABRICANTE
1	Tornillo M5 x 8 mm	8	H-7505-SCRW	3010-000001-43
2	Tornillo	4	H-7505-M8X12	2028-000001-41
3	Cubierta Hidráulica de Plástico – Derecha	1	H-7505-3	1113-142002-0A
4	Cubierta de la Unidad de Transmisión	1	H-7505-DUCVR	1113-141002-0B
5	Cubierta Hidráulica de Plástico – Izquierda	1	H-7505-5	1113-142001-0A

ULINE H-7505
PATÍN HIDRÁULICO DE
BATERÍA – 2,600 LBS

800-295-5510
 uline.mx

DIAGRAMA DE ENSAMBLE DE LA TRANSMISIÓN



LISTA DE PARTES DEL ENSAMBLE DE LA TRANSMISIÓN

#	DESCRIPCIÓN	CANT.	NO. DE PARTE DE ULINE	NO. DE PARTE DEL FABRICANTE
1	Balero	1	H-7505-1231	0000-001231-00
2	Rondana de Seguridad	5	H-4709-LW159	0000-000159-00
3	Puente	1	H-7505-BRDG	1113-220001-A0
4	Balero	1	H-7505-1230	0000-001230-00
5	Abrazadera	1	H-7505-300	1113-210300-0A
6	Perno	5	H-7505-BOLT	0000-000169-00
7	Resorte	1	H-7522	1113-300002-00
8	Caja de Engranés	1	-----	1113-221101-0A

ULINE H-7505
PATÍN HIDRÁULICO DE
BATERÍA – 2,600 LBS

800-295-5510
 uline.mx

CONTINUACIÓN DE LA LISTA DE PARTES DEL ENSAMBLE DE LA TRANSMISIÓN

#	DESCRIPCIÓN	CANT.	NO. DE PARTE DE ULINE	NO. DE PARTE DEL FABRICANTE
9	Tornillo M4 x 45 mm	3	H-7505-M4X45	3020-010000-10
10	Cubierta de la Transmisión	1	-----	1115-200007-00
11	Tornillo	14	H-4709-SC386	0000-000386-00
12	Rondana	15	-----	0000-000056-00
13	Engrasador	1	-----	0000-000013-00
14	Pasador	2	-----	0000-000704-00
15	Cubierta de la Caja de Engranés	1	H-4709-GCVR	1115-200001-00
16	Clip	1	-----	0000-000658-00
17	Clip	2	H-4709-CM15	0000-000659-00
18	Balero	1	H-4709-BR619	0000-000667-00
19	Set de Engranés en Espiral (Incluye 2 Engranés)	1	H-4709-GK10	1115-GSX-10
20	Balero	1	H-4709-BR680	0000-000680-00
21	Set de Engranés en Espiral (Incluye 2 Engranés)	1	H-4709-GK20	1115-GSX-20
22	Llave	1	H-4709-KY660	0000-000660-00
23	Tornillo	5	-----	0000-000026-00
24	Rondana de Seguridad	5	H-4709-LW159	0000-000159-00
25	Sello de Aceitera	1	H-7505-OS	0000-001788-00
26	Tornillo de Cabeza Allen – M5 x 25 mm (Utilizado Hasta el No. de Serie 7281200545)	6	H-4709-M5X25	3020-010000-91
26a	Tornillo – M5 x 30 mm (Utilizado Desde el No. de Serie 7281200545)	6	-----	1115-200021-D0
27	Rondana	6	H-4709-206	0000-000206-00
28	Chavetero	2	H-4709-KEY	0000-000662-00
29	Sello de Aceite	1	H-4709-29	0000-000671-00
30	Balero	2	H-4709-61824	0000-000663-00
31	Llanta de Transmisión	1	H-4709-DW2	1115-220000-D0
31	Llanta de Transmisión - Con Huellas	1	H-7505-DRIVQ	1115-220000-E0
32	Deflector de Transmisión	1	H-4709-BAFFL	1115-200010-00
33	Motor – Transmisión	1	H-4709-DMTR	1115-250000-00
34	Disco del Freno	1	-----	1115-240001-00
35	Ensamble del Freno	1	H-4709BASSY	1115-520012-10
36	Cepillos del Motor de Transmisión	4	-----	1115-250001-00
37	Tornillo	2	H-4709-004	0000-000004-00
38	Recuadro de Terminales	1	H-4709-TBLCK	1115-231000-00
39	Portacepillo	1	-----	1115-250003-00
40	Resorte – Cepillo de Motor	4	-----	1115-250002-00

ULINE H-7505
PATÍN HIDRÁULICO DE
BATERÍA – 2,600 LBS

800-295-5510
 uline.mx

CONTINUACIÓN DE LA LISTA DE PARTES DEL ENSAMBLE DE LA TRANSMISIÓN

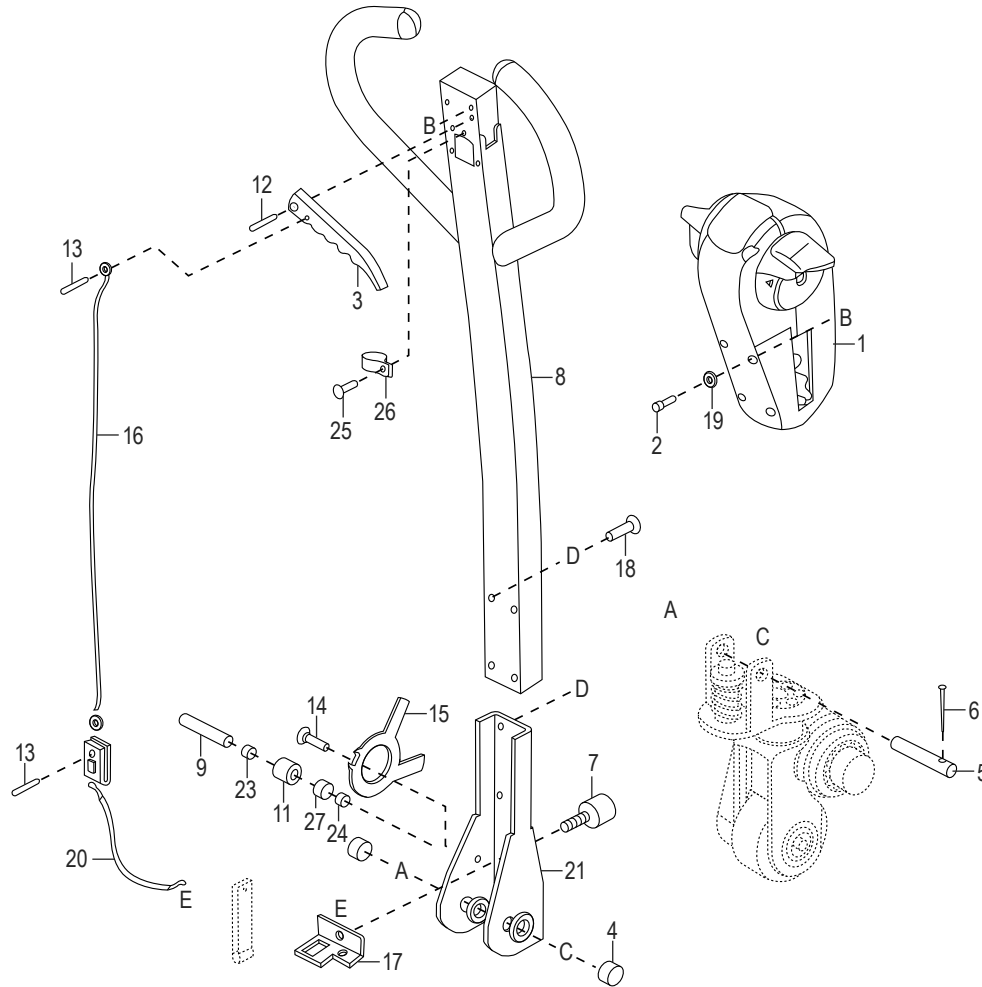
#	DESCRIPCIÓN	CANT.	NO. DE PARTE DE ULINE	NO. DE PARTE DEL FABRICANTE
41	Kit de Aro Interior (Utilizado Hasta el No. de Serie 7281200545) Incluye: • 1 Aro Interior • 6 Tornillos – M5 x 30 mm • 6 Rondanas	1	H-4709-IR	977021
41a	Aro Interior (Utilizado hasta el No. de Serie 7281200545)	1	H-4709-IRIM	1115-200001-D0
42	Soprote de Resorte	1	H-7505-200	1113-300202-00
43	Resorte del Poste Guía	1	H-7505-100	1113-300201-00
45	Tornillo	1	-----	3020-180000-02
46	Ensamble de la Transmisión	1	H-7505-DRIVE	1113-221000-00
46	Ensamble de la Transmisión – Llanta con Huellas	1	H-7505-DRIVQ	1113-200000-01
47	Cadena	1	H-7505-CG	1113-500021-0A
48	Sello de Raspador	1	-----	1115-240002-0A
49	Rondana Plana	1	-----	0000-000380-00
50	Pasador de Chaveta 1.6 x 32 mm	1	H-7505CP	0000-001577-00
55	Arnés de Cables	1	H-7505-WHB	1113-520022-00
56	Placa	1	-----	1115-200020-00

ULINE H-7505

PATÍN HIDRÁULICO DE BATERÍA – 2,600 LBS

800-295-5510
uline.mx

DIAGRAMA DEL BRAZO DE GIRO



LISTA DE PARTES DEL BRAZO DE GIRO

#	DESCRIPCIÓN	CANT.	NO. DE PARTE DE ULINE	NO. DE PARTE DEL FABRICANTE
1	Cabezal de Control hasta la Serie # 7291000191	1	H-7513	1113-301000-00
1b	Ensamble del Contenedor de Control de la Serie # 7291000192 – Incluye Opción de Marcha Vertical	1	H-7505-CPA	1113-31000X-00
2	Tornillo M4 x 12 mm	2	H-7505-M4X12	0000-001029-00
3	Palanca de Liberación	1	-----	1113-313000-00
4	Casquillo	2	H-7505-BH	2028-019000-35
5	Eje	1	H-7521	1113-300003-00
6	Pasador del Rodillo	1	-----	0000-001023-00

ULINE H-7505
PATÍN HIDRÁULICO DE
BATERÍA – 2,600 LBS

800-295-5510
 uline.mx

CONTINUACIÓN DE LA LISTA DE PARTES DEL BRAZO DE GIRO

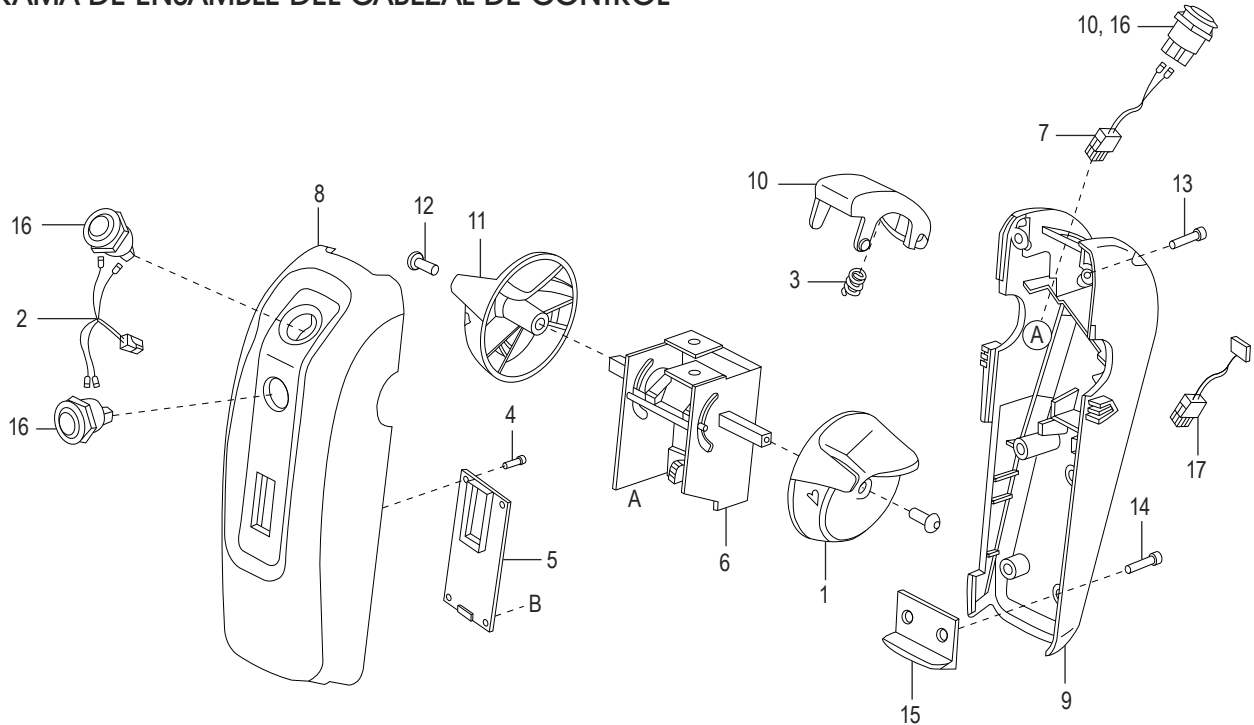
#	DESCRIPCIÓN	CANT.	NO. DE PARTE DE ULINE	NO. DE PARTE DEL FABRICANTE
7	Parachoques	1	H-7523	1113-300001-00
8	Asa de Giro	1	H-7520	1113-312000-0A
9	Eje del Pivote del Asa	1	H-7505-HPS	1113-300007-00
11	Rodillo	1	H-7505-ROLLR	1113-300006-00
12	Pasador del Rodillo M6 x 30 mm	1	H-7505-M6X30	0000-001235-10
13	Pasador del Rodillo M4 x 12 mm	1	H-7505-M412P	0000-001236-10
14	Tornillo M5 x 8 mm	2	H-7505-M5X8	0000-001707-00
15	Accionador	1	H-7505-ACUIR	1113-500011-00
16	Cable de Acero	1	H-7505-STLWR	1113-314002-0A
17	Abrazadera	1	H-7505-BRKTQ	1113-314003-00
18	Tornillo M6 x 10	4	H-7505-M6X10	0000-001703-00
19	Rondana de Seguridad Ø4	2	H-7505-WASH4	0000-000122-00
20	Cable de Descenso	1	H-7534	1113-314004-0A
21	Abrazadera	1	H-7505-BCKT	1113-315000-0A
22	Abrazadera para Cable de Acero	1	H-7505-SWCLP	1113-314005-0A
23	Funda	1	H-7505-SLV	2028-019000-14
24	Funda	1	-----	2028-019000-23
25	Tornillo M4 x 8 mm	1	-----	0000-000416-00
26	Abrazadera para Amés R Uc-1.5	1	-----	0000-001103-00
27	Casquillo	1	-----	2028-019000-12

ULINE H-7505

PATÍN HIDRÁULICO DE BATERÍA – 2,600 LBS

800-295-5510
uline.mx

DIAGRAMA DE ENSAMBLE DEL CABEZAL DE CONTROL



LISTA DE PARTES DEL DIAGRAMA DEL ENSAMBLE DEL CABEZAL DE CONTROL

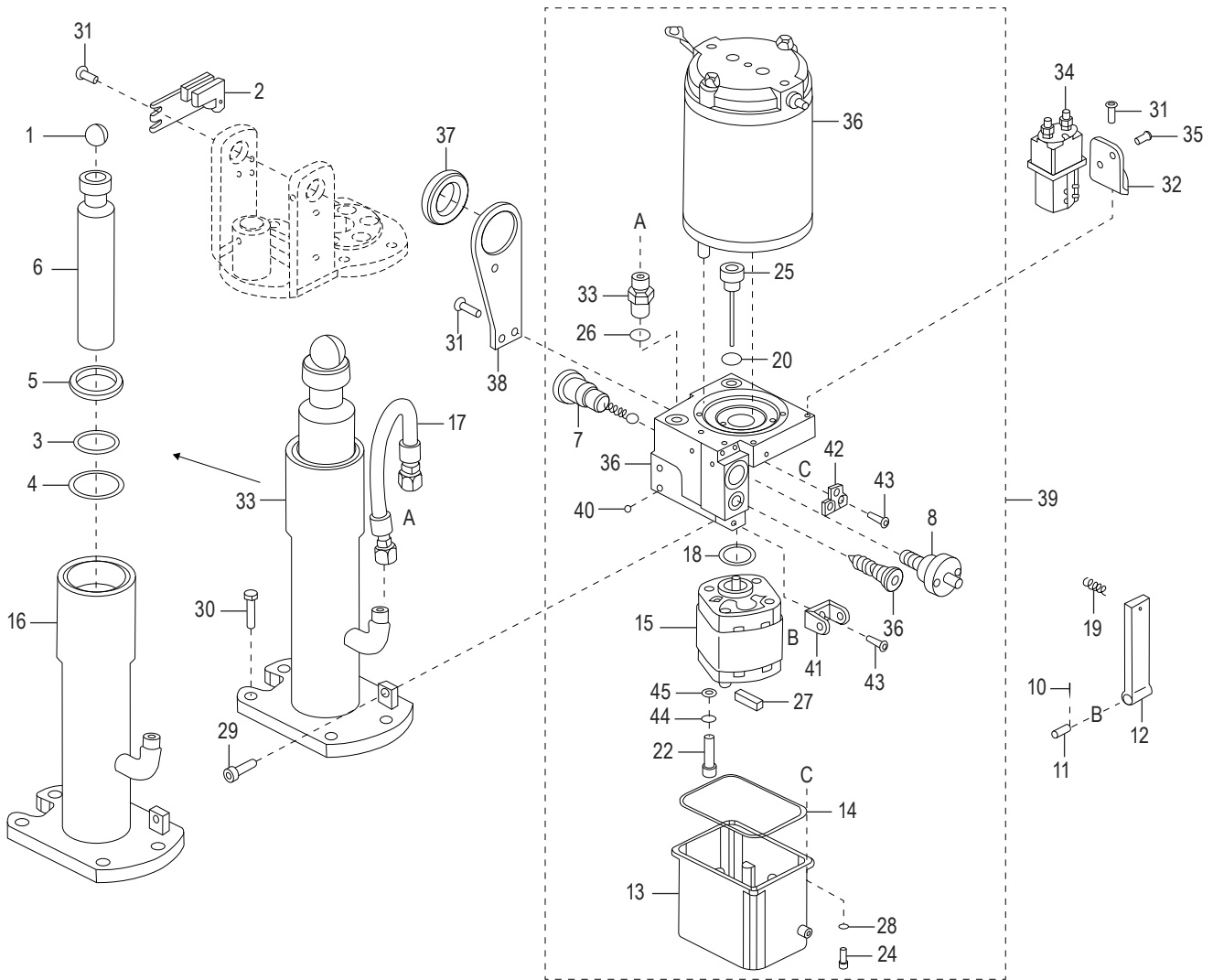
#	DESCRIPCIÓN	CANT.	NO. DE PARTE DE ULINE	NO. DE PARTE DEL FABRICANTE
1	Perilla de Control del Lado Izquierdo	1	H-7505-CKLS	1113-301003-00
2	Cable para Claxon y Elevación	1	H-7531	1113-520005-00
3	Resorte	1	H-7538	1113-301006-00
4	Tornillo M3 x 5 mm	4	-----	0000-001630-00
5	Indicador de Batería / Horómetro (Bdi)	1	H-7505-3011	1113-301100-10
6	Acelerador	1	H-7507	1113-301200-00
7	Cableado del Interruptor de la Reversa de Emergencia	1	H-7505-ERSH	1113-520013-00
8	Cubierta Superior	1	H-7505-TPCVR	1113-301004-00
9	Cubierta Inferior (Utilizada hasta el No. de Serie 7291000191)	1	H-7505-BTMCV	1113-301005-00
9b	Cubierta Inferior (Utilizada desde el No. de Serie 7291000191)	1	H-7505-BCN	1113-301005-E0
10	Botón de Reversa de Emergencia	1	H-7505-EMERG	1113-301002-00
11	Perilla de Control del Lado Derecho	1	H-7505-CKRS	1113-301001-00
12	Tornillo M3 x 12 mm	2	H-7505-M2X13	0000-001722-00
13	Tornillo M4 x 45 mm	2	H-7505-M4X45	0000-00065-00
14	Tornillo M4 x 30mm	2	H-7505-M4X30	0000-001031-00
15	Placa de Instalación	1	H-7505-PLATE	1113-301007-00
16	Interruptor de Botón Sin Cables	3	H-7517	1121-522000-00
17	Arnés de Cables de Marcha Vertical	1	H-7505-UWWH	1113-520004-E3
18	Etiqueta	1	-----	5080-00033-71

ULINE H-7505

PATÍN HIDRÁULICO DE BATERÍA – 2,600 LBS

800-295-5510
uline.mx

DIAGRAMA DEL SISTEMA HIDRÁULICO



LISTA DE PARTES DEL SISTEMA HIDRÁULICO

#	DESCRIPCIÓN	CANT.	NO. DE PARTE DE ULINE	NO. DE PARTE DEL FABRICANTE
1	Balín de Acero	1	H-7505-SB	1121-410001-00
2	Interruptor Entrelazado	1	H-7539	1113-502000-0A
3	Sello del Anillo 42 x 32 x 2 mm	1	-----	1113-411002-00
4	Empaque	1	-----	0000-000973-00
5	Anillo de Compresión	1	-----	0000-000978-00
6	Varilla del Pistón	1	-----	1113-413100-20
7	Válvula de Retención	1	H-7505-CV	1113-421000-00
8	Válvula de Seguridad	1	H-7505-SV	1113-422000-00

CONTINUACIÓN DE LA LISTA DE PARTES DEL SISTEMA HIDRÁULICO

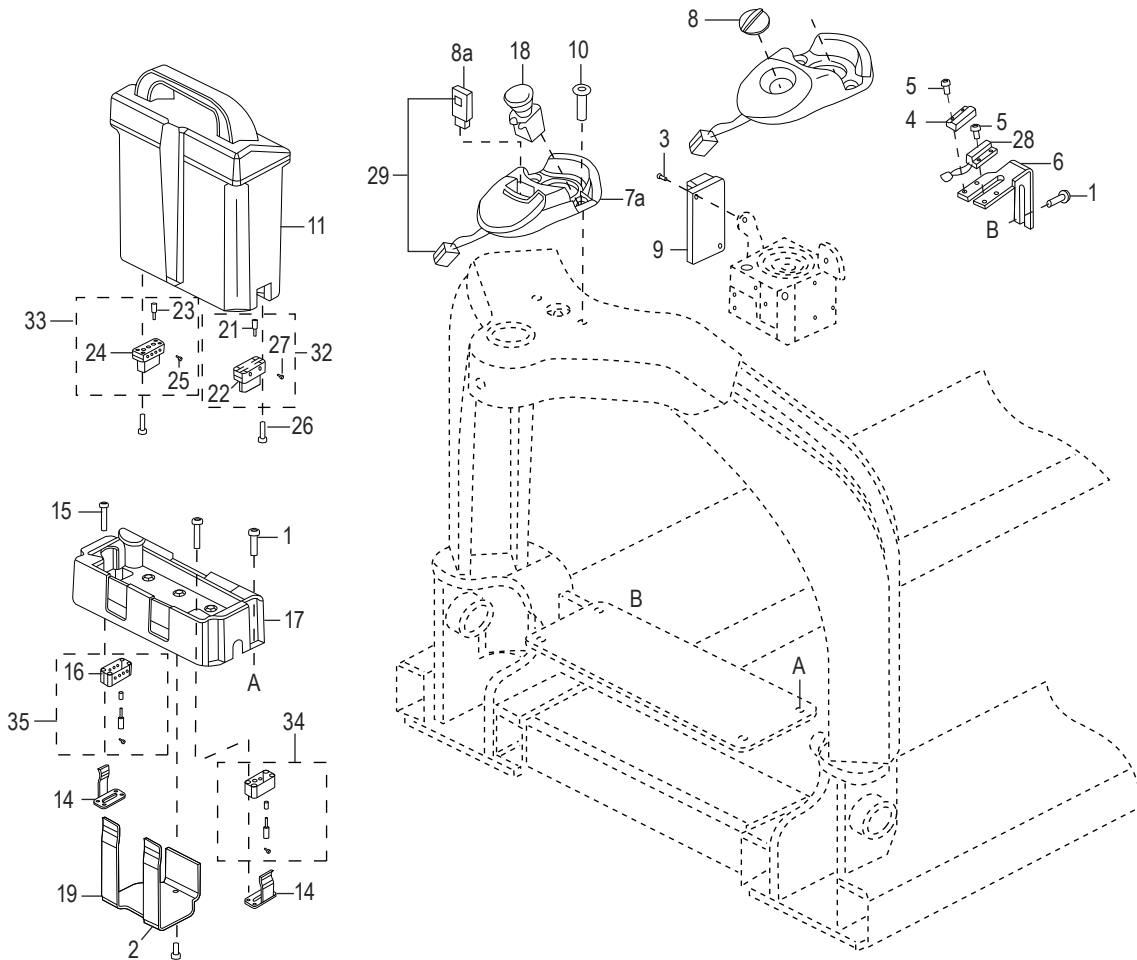
#	DESCRIPCIÓN	CANT.	NO. DE PARTE DE ULINE	NO. DE PARTE DEL FABRICANTE
9	Válvula Manual	1	H-7505-MV	1113-423000-00
10	Pasador de Chaveta de 1.6 x 32 mm	1	H-7505-CD	0000-001577-00
11	Pasador de 6 x 35 mm	1	H-7505-P6X35	0000-001257-00
12	Placa	1	H-7505-LP	1113-400001-00
13	Depósito	1	H-7505-RES	1113-440003-00
14	Anillo de Sello	1	H-7505-SR	1113-440004-00
15	Bomba	1	-----	1113-436000-00
16	Tubo Cilíndrico	1	H-7505CYLI6Q	1113-411003-20
17	Manguera Hidráulica	1	-----	1113-431000-10
18	Anillo Tórico de 17 x 1.5 mm	1	-----	0000-001624-00
19	Resorte	1	-----	1113-300005-00
20	Rondana del Sello	1	H-7505-SW	1113-440007-01
21	Motor de la Bomba	1	H-7505-MTP	1113-433000-00
22	Tornillo de M5 x 63 mm	4	-----	0000-001632-00
23	Conector	1	-----	2701-121200-00
24	Tornillo	4	-----	2028-007000-28
25	Barra de Inmersión	1	H-7505-DIP	1113-440007-00
26	Rondana de M12	1	-----	0000-001674-00
27	Imán	1	-----	1113-430007-00
28	Rondana de Seguridad	4	H-7505-WASH4	0000-000122-00
29	Perno de M6 x 12 mm	3	H-7505BLT29Q	0000-001613-00
30	Perno de M8 x 20 mm	4	H-7505BLT30Q	0000-001627-00
31	Tornillo de M5 x 10 mm	5	H-4709-22	0000-001616-00
32	Placa II	1	-----	1113-430003-00
33	Ensamble del Cilindro	1	H-7505-CYLAS	1113-411000-20
34	Contacto	1	H-7505-CNTCT	1113-500006-10
35	Tornillo de M4 x 8 mm	2	H-7505-M4X8	0000-001609-00
36	Colector de Válvulas	1	-----	1113-441000-00
37	Ojal	1	H-7505-GROMQ	1113-500022-0A
38	Placa	1	-----	1113-430002-00
39	Ensamble del Motor y la Bomba si el No. de Serie del Patín es anterior al 727202209. Cambie también las Cubiertas del Compartimento Hidráulico 1113-142001-Oa y 1113-142002-Oa	1	H-7505-PUMP	1113-440000-0A
40	Balín de Acero	5	-----	1113-440006-00
41	Abrazadera	1	-----	1113-440002-00
42	Abrazadera	1	-----	1113-440001-00
43	Tornillo	3	-----	3020-030000-17
44	Rondana	3	H-4709-206	0000-000206-00
45	Rondana Plana	3	H-4709-390	0000-000390-00
46	Kit del Sello (Incluye #3 y #5)	1	H-7505-SK	1113-ZZG-0A

ULINE H-7505

PATÍN HIDRÁULICO DE BATERÍA – 2,600 LBS

800-295-5510
uline.mx

DIAGRAMA DEL SISTEMA ELÉCTRICO



LISTA DE PARTES DEL SISTEMA ELÉCTRICO

#	DESCRIPCIÓN	CANT.	NO. DE PARTE DE ULINE	NO. DE PARTE DEL FABRICANTE
1	Tornillo de M5 x 10 mm	6	H-7505-M5X10	0000-001610-00
2	Tornillo de M4 x 8 mm	3	H-7505-M4X8	0000-001609-00
3	Tornillo de M5 x 25 mm	2	H-7505-CS	0000-001619-00
4	Imán Interruptor de Láminas	1	H-8034	1113-500003-00
5	Tornillo de M3 x 6 mm	2	H-7505-M3X6Q	0000-001618-00
6	Abrazadera	1	H-7505-BRK6Q	1113-500014-00
8	Llave	1	H-7505-KEY	1113-540100-0A

ULINE H-7505
PATÍN HIDRÁULICO DE
BATERÍA – 2,600 LBS

800-295-5510
 uline.mx

CONTINUACIÓN DE LA LISTA DE PARTES DEL SISTEMA ELÉCTRICO

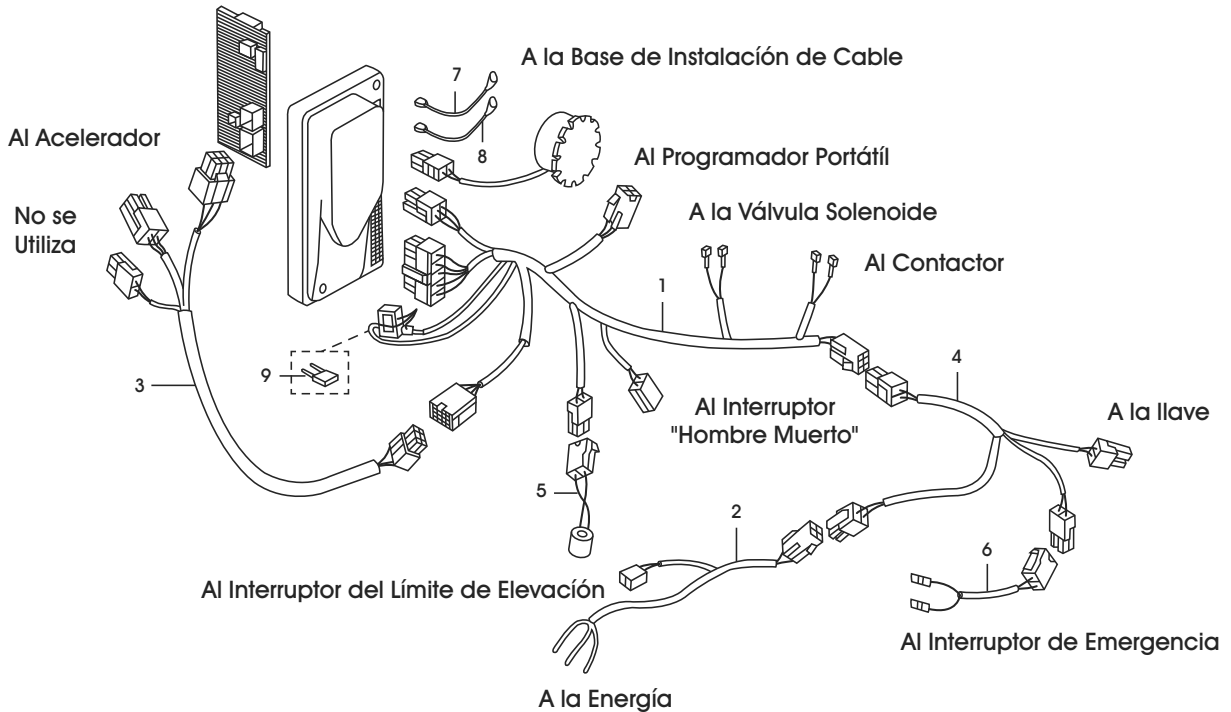
#	DESCRIPCIÓN	CANT.	NO. DE PARTE DE ULINE	NO. DE PARTE DEL FABRICANTE
9	Controlador Programado para E25	1	H-7514	1113-500008-00-50
10	Tornillo M5 x 10 mm	2	H-4709-22	0000-000616-00
11	Paquete de Baterías de Iones de Litio	1	H-7506	1113-513000-0H
14	Soporte de Batería	2	H-7505-BATSP	1113-511002-00
15	Tornillo M3 x 16 mm	8	H-7505-SCWM3	0000-001342-00
17	Abrazadera	1	H-7505-BKT01	1113-511001-00
18	Interruptor de Parada de Emergencia	1	H-7518	1113-500012-01
19	Abrazadera del Resorte Accionador	1	H-7505-CLAMP	1113-511004-00
21	Enchufe de Contacto	2	H-8143	1113-513002-00
22	Parte del Kit #32	1	Parte del H-7505-2BRKT	1113-513003-00
23	Enchufe de Contacto	4	H-8146	1113-513001-00
24	Abrazadera	1	-----	1113-513004-00
25	Tornillo M3 x 10 mm	4	H-8144	0000-001616-00
26	Tornillo M3 x 14 mm	8	-----	0000-001631-00
27	Tornillo	2	H-8149	0000-001617-00
28	Interruptor de Láminas	1	H-7505-RS	1113-500001-00
29	Ensamble de la Base para Interruptor y Llave	1	H-7527	1113-540000-0A
32	Ensamble de la Abrazadera (2 Enchufes) Incluye: • 1 Abrazadera #12 • 2 Enchufes de Contacto #21 • 2 Tornillos M3 x 10 mm #27	1	H-7505-2BRKT	LB00-00000Z-02
33	Ensamble de la Abrazadera (4 Enchufes) Incluye: • 1 Abrazadera #24 • 4 Enchufes de Contacto #23 • 4 Tornillos M3 x 10 mm #25	1	H-7505-BRCKT	LB00-00000Z-01
34	Ensamble de la Abrazadera (2 Pasadores) Incluye: • 1 Abrazadera • 2 Pasadores • 2 Tornillos M3 x 10 mm • 2 Fundas del Resorte	1	H-7505-2PBA	1113-511011-00
35	Ensamble de la Abrazadera (4-Pasadores) Incluye: • 1 Abrazadera • 4 Pasadores • 4 Tornillos M3 x 10 mm • 4 Fundas del Resorte	1	H-7505-4PBA	1113-511010-00

ULINE H-7505

PATÍN HIDRÁULICO DE BATERÍA – 2,600 LBS

800-295-5510
uline.mx

DIAGRAMA DEL ARNÉS DEL CABLEADO



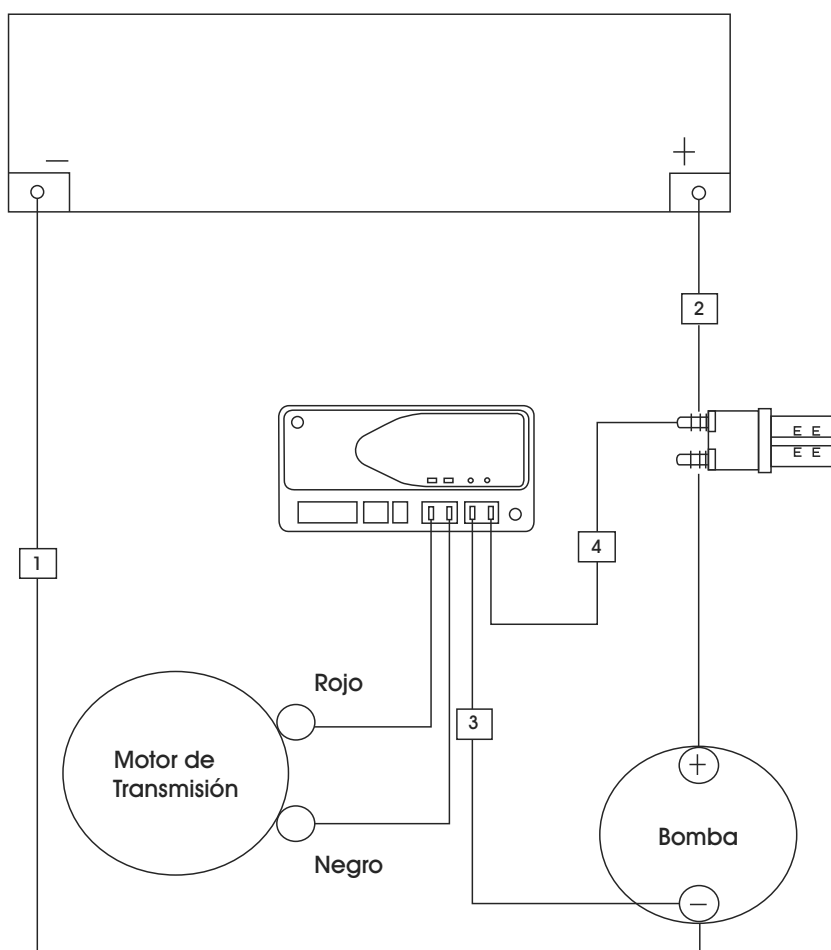
LISTA DE PARTES DEL ARNÉS DE CABLES

#	DESCRIPCIÓN	CANT.	NO. DE PARTE DE ULINE	NO. DE PARTE DEL FABRICANTE
1	Arnés Principal de Cables	1	H-7535	1113-520001-10
2	Arnés de Cables	1	H-7540	1113-520014-00
3	Arnés de Cables – Se usa para números de serie menores a 7291000192	1	H-7530	1113-520004-00
3a	Arnés de Cables – Se usa para números de serie mayores a 7291000192	1	H-7505-WH	1113-520004-1A
4	Arnés de Cables	1	H-7505-WIRE	1113-520010-0A
5	Claxon con Conector	1	H-7529	1113-520006-00
6	Arnés de Cable de Desconexión de Emergencia	1	H-7505-6	1113-520012-00
7	Alambre M1	1	-----	1113-530005-0A
8	Alambre M2	1	-----	1113-530006-0A
9	Fusible 5A	1	H-7519	1113-520025-00

ULINE H-7505
PATÍN HIDRÁULICO DE
BATERÍA – 2,600 LBS

800-295-5510
 uline.mx

DIAGRAMA DEL CABLEADO (UTILIZADO HASTA EL NO. DE SERIE 7311905397)



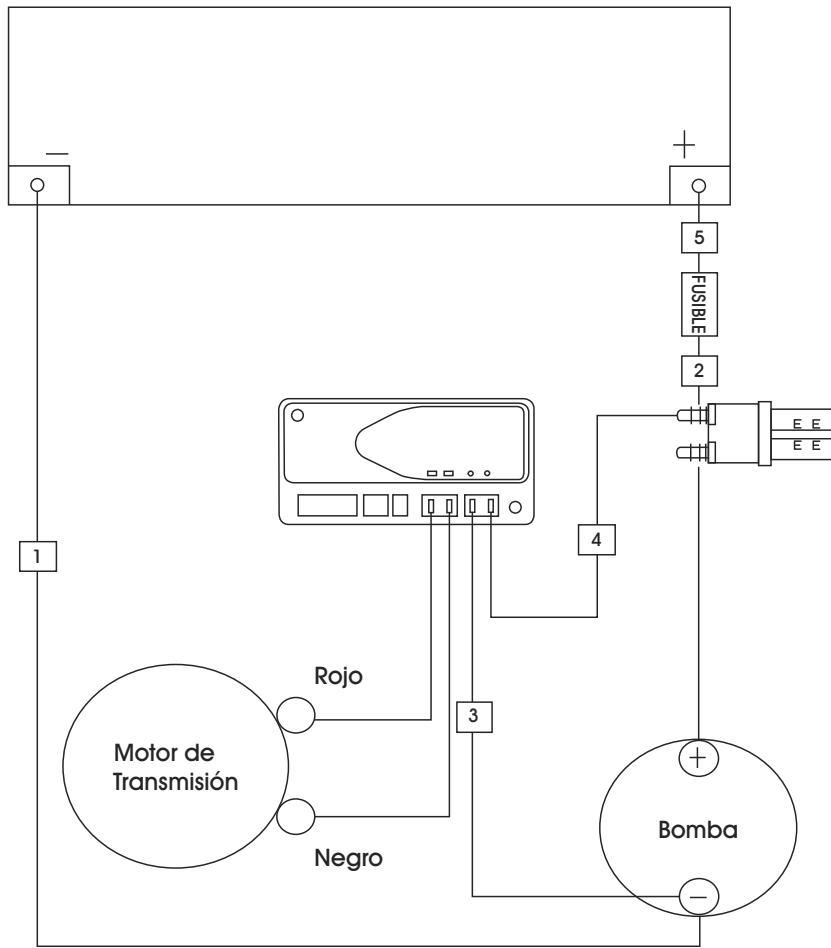
LISTA DE PARTES DEL CABLEADO

#	DESCRIPCIÓN	CANT.	NO. DE PARTE DE ULINE	NO. DE PARTE DEL FABRICANTE
1	Cable Eléctrico (-)	1	H-7505-NEG	1113-530001-0A
2	Cable Eléctrico (+)	1	H-7505-POS	1113-530002-0A
3	Controlador (-)	1	-----	1113-530004-00
4	Controlador (+)	1	-----	1113-530003-00

ULINE H-7505
PATÍN HIDRÁULICO DE
BATERÍA – 2,600 LBS

800-295-5510
 uline.mx

DIAGRAMA DEL CABLEADO (UTILIZADO HASTA EL NO. DE SERIE 7311905398)



LISTA DE PARTES DEL CABLEADO

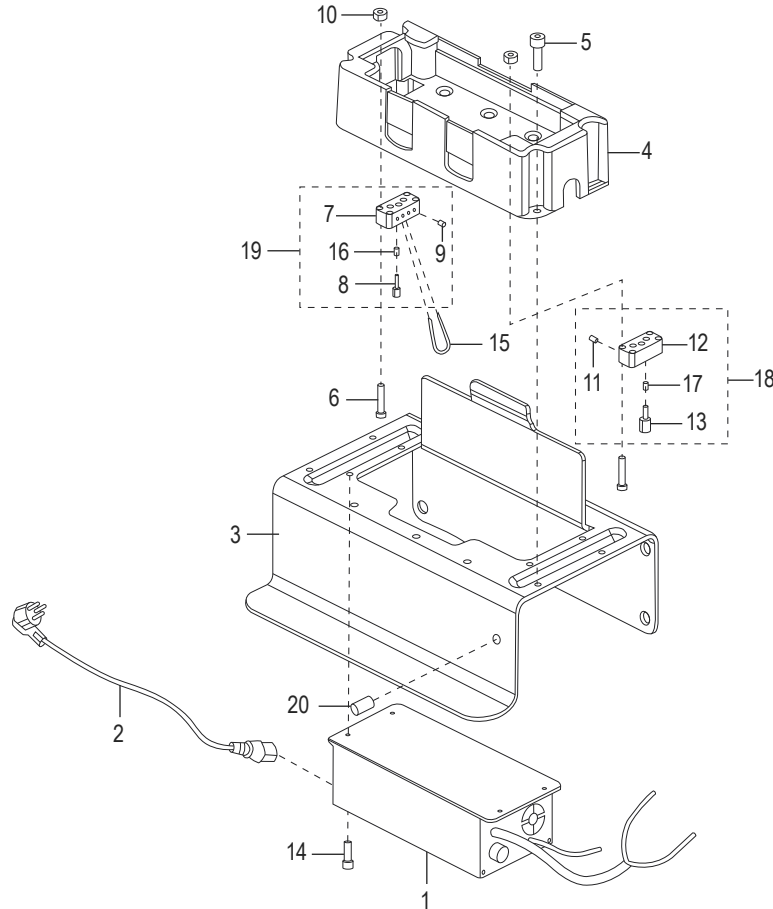
#	DESCRIPCIÓN	CANT.	NO. DE PARTE DE ULINE	NO. DE PARTE DEL FABRICANTE
1	Cable Eléctrico (-)	1	H-7505-NEG	1113-530001-0A
2	Fusible del Cable B+ al Contactor	1	H-7505-3700	1113-530002-0A
3	Controlador (-)	1	-----	1113-530004-00
4	Controlador (+)	1	-----	1113-530003-00
5	Batería del Cable B+ al Fusible	1	H-7505-3600	1113-520036-00

ULINE H-7505

PATÍN HIDRÁULICO DE BATERÍA – 2,600 LBS

800-295-5510
uline.mx

DIAGRAMA DE ENSAMBLE DEL CARGADOR



LISTA DE PARTES DEL ENSAMBLE DEL CARGADOR

#	DESCRIPCIÓN	CANT.	NO. DE PARTE DE ULINE	NO. DE PARTE DEL FABRICANTE
	Kit del Cargador Incluye 0 y 2A	1	-----	908947
0	Ensamble del Cargador Incluye: • 19 Abrazaderas con Resorte Accionador • 23 Enchufes de Contacto • 25 Tornillos M3 x 10 mm	1	H-7505-CHGRA	1113-51220Z-40
1	Cargador	1	H-7505-CHRGQ	1113-512200-40
2	Cable del Cargador (No Se Incluye la Tapa de Caucho del Cargador)	1	H-4709CHRCBL	1115-500006-10
2a	Cordón del Cargador	1	H-7505-CCORD	1120-510002-00-08
3	Abrazadera del Cargador	1	-----	1113-512100-0A
4	Abrazadera	1	H-7505-BKT01	1113-511001-00
5	Tornillo M5 x 10 mm	4	H-7505-M5X10	0000-001610-00
6	Tornillo M3 x 16 mm	4	H-7505-SCWM3	0000-001342-00
7	Abrazadera	1	H-7505-BKT05	1113-511005-00

ULINE H-7505
PATÍN HIDRÁULICO DE
BATERÍA – 2,600 LBS

800-295-5510
 uline.mx

CONTINUACIÓN DE LA LISTA DE PARTES DEL ENSAMBLE DEL CARGADOR

#	DESCRIPCIÓN	CANT.	NO. DE PARTE DE ULINE	NO. DE PARTE DEL FABRICANTE
8	Pasador de Contacto	4	H-7505-CTPIN	1113-511006-0A
9	Tornillo	4	H-8144	0000-001616-00
10	Tuerca M3	8	-----	0000-000982-00
11	Tornillo	2	H-8149	0000-001617-00
12	Abrazadera	1	H-7505-BKT03	1113-511003-00
13	Pasador de Contacto	2	H-8145	1113-511007-0A
14	Tornillo	4	-----	0000-001705-00
15	Cable del Circuito de Seguridad	1	-----	1113-520017-00
16	Funda del Resorte	4	H-8147	1113-511009-0A
17	Funda del Resorte	2	H-8148	1113-511008-0A
18	Ensamble de la Abrazadera (2 Pasadores) Incluye: • 1 Abrazadera #12 • 2 Pasadores • 2 Tornillos de Ajuste	1	H-7505-2PBA	1113-511011-00
19	Ensamble de la Abrazadera (4 Pasadores) Incluye: • 1 Abrazadera #7 • 4 Pasadores • 4 Tornillos de Ajuste	1	H-7505-4PBA	1113-511010-00
20	Enchufe LED	1	-----	1113-511012-00

ULINE H-7505

TRANSPALETTE ALIMENTÉ PAR BATTERIE – 2 600 LB

1 800 295-5510
uline.ca

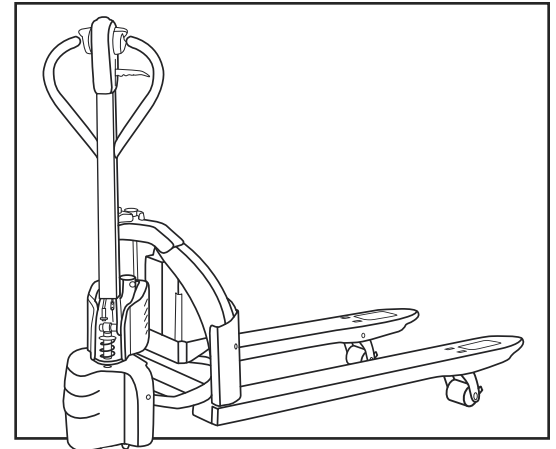
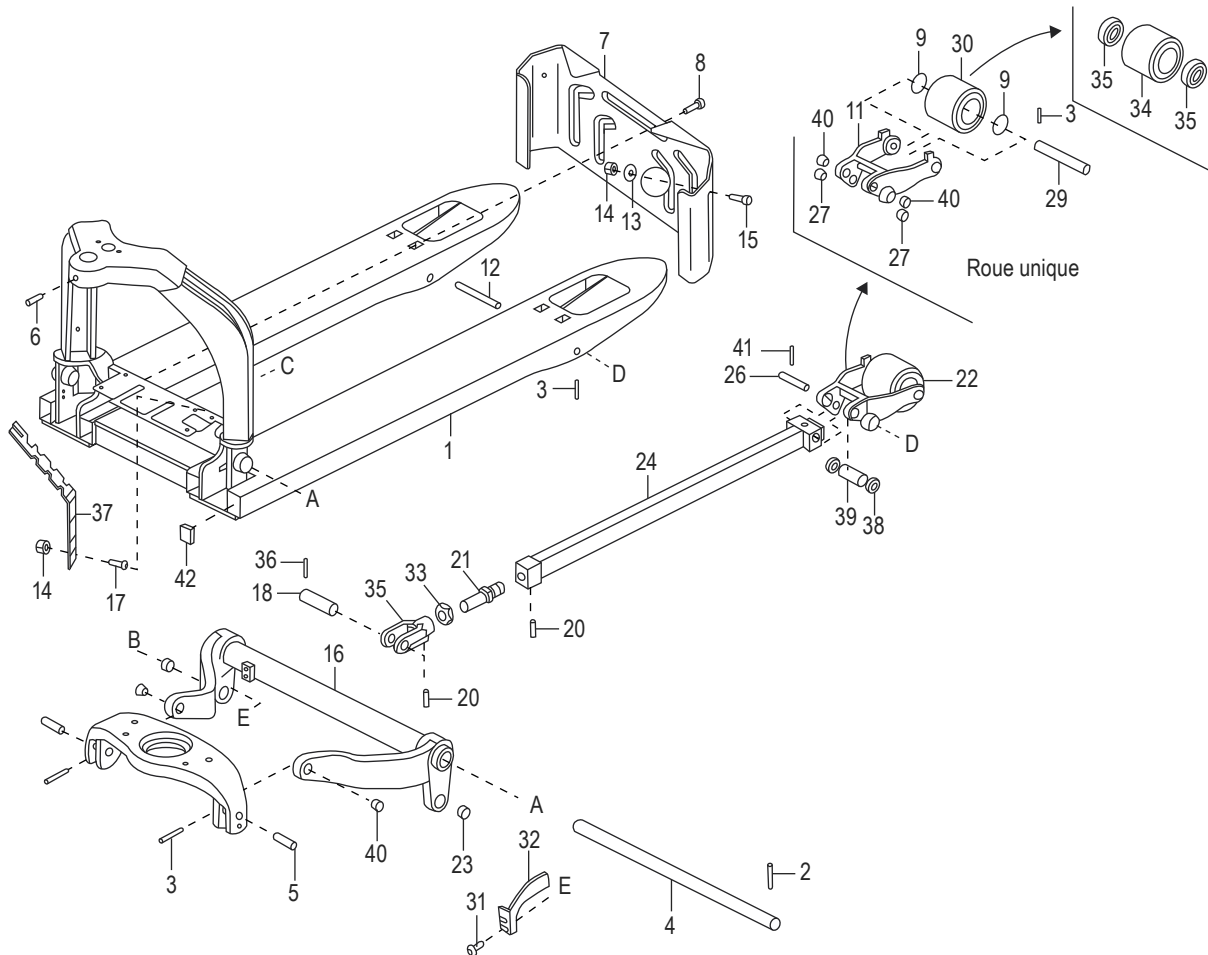


SCHÉMA DU CHÂSSIS



Liste des pièces du schéma du châssis

#	DESCRIPTION	QTÉ	RÉF. ULINE	RÉF. DU FABRICANT
1	Châssis de 27 po de large	1	-----	1113-110000-0A-01
2	Goupille cylindrique M6 x 35	1	-----	0000-001333-00
3	Goupille cylindrique	2	H-4709-RPIN	0000-000708-00
4	Arbre long, châssis de 27 po de large	1	-----	1113-130001-00
5	Arbre court	2	-----	1121-130002-00
6	Vis M6 x 20 mm	1	H-7505-M6X2Q	0000-001615-00

ULINE H-7505
TRANSPALETTE ALIMENTÉ
PAR BATTERIE – 2 600 LB

1 800 295-5510
 uline.ca

LISTE DES PIÈCES DU SCHÉMA DU CHÂSSIS SUITE

#	DESCRIPTION	QTÉ	RÉF. ULINE	RÉF. DU FABRICANT
7a	Cache de 27 po de largeur (utilisé jusqu'au n° de série 727120189)	1	-----	1113-144000-0A-30
7b	Cache de 27 po de largeur (utilisé à partir du n° de série 727120189)	1	-----	1113-144000-0B-30
8	Vis de M8 x 20 mm (utilisé jusqu'au n° de série 7301500518)	2	H-4705-2100	0000-001621-00
8b	Vis de M8 x 30 mm (utilisé à partir du n° de série 7301500518)	2	-----	2028-000001-35
9	Rondelle plate	4	H-7505-WASHQ	0000-000172-00
11a	Support de roue (utilisé jusqu'au n° de série 729160865)	2	H-7505-LWBKQ	1113-130006-00
11b	Support de roue (utilisé à partir du n° de série 729160865)	2	-----	1113-130006-E0
12	Axe de pivot de roue porteuse	2	H-7505-WHBRQ	1113-130005-00
13	Rondelle plate	2	H-7505-FW	0000-000210-00
14	Écrou	2	H-4705-4000	0000-000740-00
15a	Vis de M8 x 45 mm (utilisé jusqu'au n° de série 7301500518)	2	H-4705-0027	2028-007000-27
15b	Vis de M8 x 45 mm (utilisé à partir du n° de série 7301500518)	2	-----	2028-000001-36
16	Biellette E25, châssis de 27 po de large	1	-----	1113-131000-00A
17	Boulon de M8 x 30 mm	2	-----	2028-004000-10
18	Axe de pivot, tige de traction	2	-----	1113-130003-00
20	Vis de réglage	4	H-7505-20	0000-001793-00
21	Goujon fileté	2	H-7505-STUDQ	1113-132300-00
22	Ensemble de la roue porteuse et du support Comprend : • Goupille cylindrique n° 3 (1) • Bague n° 4 (6) • Rondelle plate n° 9 (2) • Support de roue n° 11 (1) • Bague n° 27 (2) • Rondelle creuse n° 29 (1) • Ensemble de la roue porteuse n° 30 (1)	2	H-7505-LBKQ	1113-130015-E1
23	Bague	2	H-7505-23Q	0000-001629-00
24	Tige de traction	2	-----	1113-132200-00
25	Raccord à chape	2	H-7505-CNCTR	1113-132100-0A

ULINE H-7505
TRANSPALETTE ALIMENTÉ
PAR BATTERIE – 2 600 LB

1 800 295-5510
 uline.ca

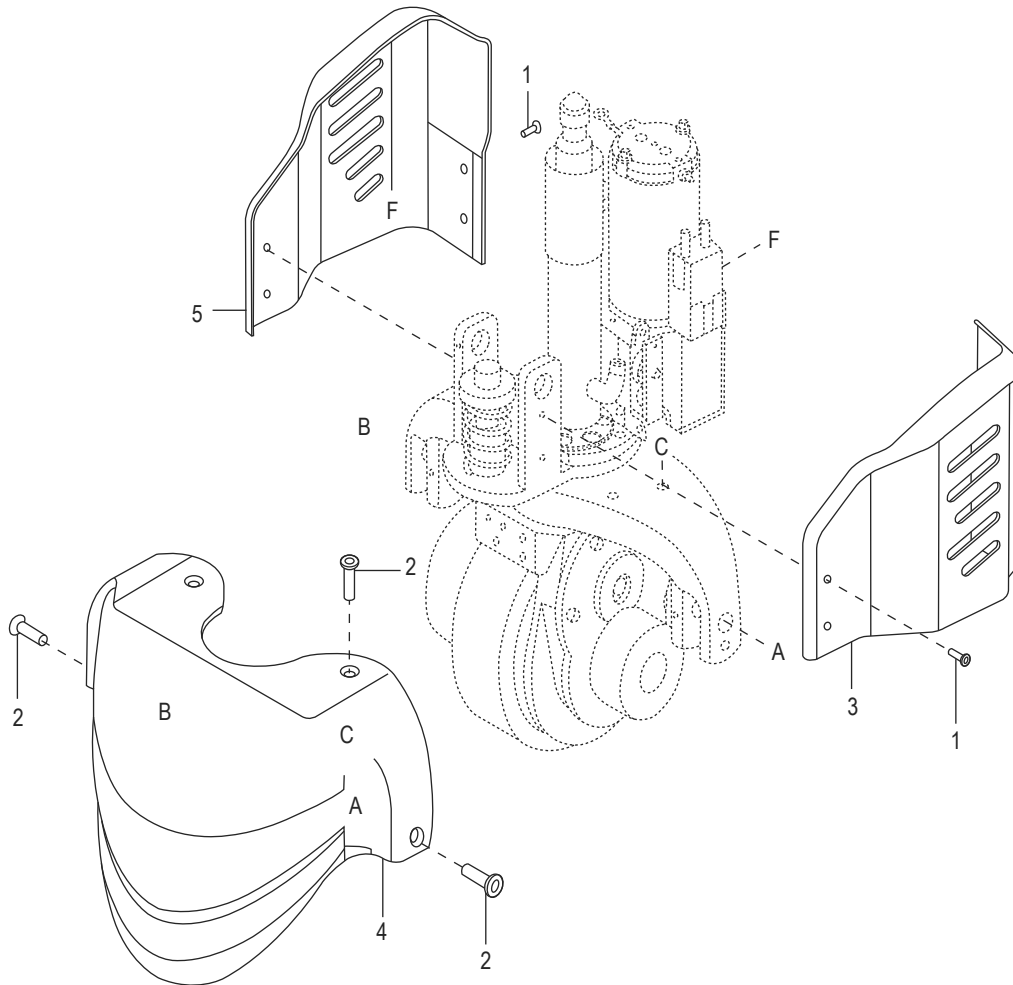
LISTE DES PIÈCES DU SCHÉMA DU CHÂSSIS SUITE

#	DESCRIPTION	QTÉ	RÉF. ULINE	RÉF. DU FABRICANT
26	Axe de pivot, boîtier de roue	2	H-7505-PSWH	1113-130004-0A
27	Bague	4	H-7505-BUSH	0000-001742-00
29	Arbre d'essieu, roue porteuse	2	H-7505-29Q	1113-130010-00
30	Ensemble de la roue porteuse (avec roulements) Comprend : • Roue porteuse en poly n° 34 (1) • Roulement n° 35 (2)	2	H-4709LASSY	1115-133000-40
31	Boulon M4 x 6 mm	2	H-7505-M4X6Q	0000-001704-00
32	Actionneur, dégagement	1	H-7505-RA	1113-500013-00
33	Boulon M20 x 1,5 mm	2	-----	0000-000561-00
34	Roue porteuse en poly	2	H-7532	1115-133002-4B
35	Roulement	4	H-4709BRNG	0000-000020-00
36	Goupille cylindrique, M4 x 30 mm	2	-----	0000-001482-00
37	Plaque	1	H-7505-PLT	1113-500020-00
38	Rondelle	4	H-7505-009	1113-130009-00
39	Manchon	2	H-7505-011	1113-130011-00
40	Bague	6	H-7505-40Q	0000-001741-00
41	Goupille cylindrique, M4 x 30 mm	2	H-7505-M4X3Q	0000-001794-00

ULINE H-7505
TRANSPALETTE ALIMENTÉ
PAR BATTERIE – 2 600 LB

1 800 295-5510
 uline.ca

SCHÉMA DES CACHES DE PROTECTION



LISTE DES PIÈCES DU SCHÉMA DES CACHES
 DE PROTECTION

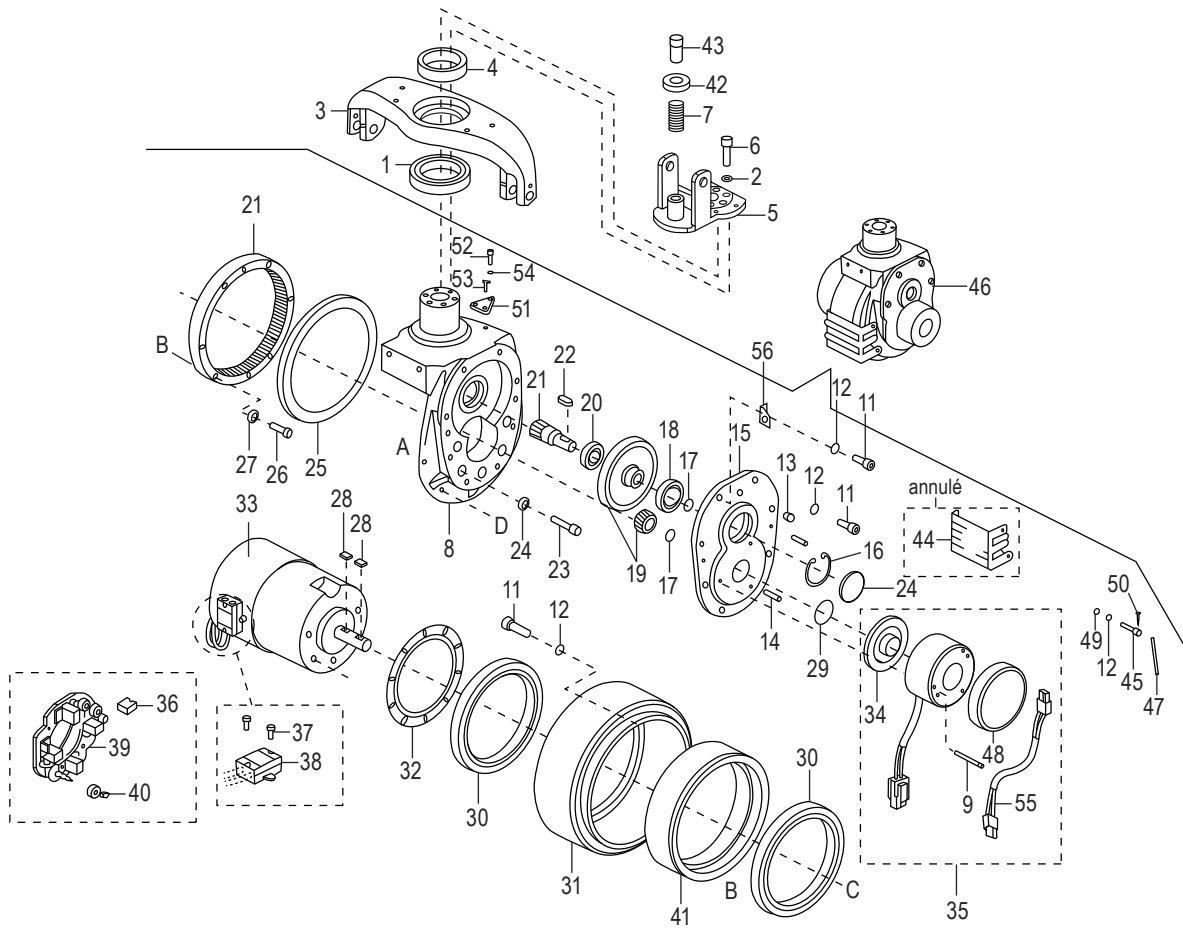
#	DESCRIPTION	QTÉ	RÉF. ULINE	RÉF. DU FABRICANT
1	Vis M5 x 8 mm	8	H-7505-SCRW	3010-000001-43
2	Vis	4	H-7505-M8X12	2028-000001-41
3	Cache de protection hydraulique, plastique – Droit	1	H-7505-3	1113-142002-0A
4	Cache de protection du système d'entraînement	1	H-7505-DUCVVR	1113-141002-0B
5	Cache de protection hydraulique, plastique – Gauche	1	H-7505-5	1113-142001-0A

ULINE H-7505

TRANSPALETTE ALIMENTÉ PAR BATTERIE – 2 600 LB

1 800 295-5510
uline.ca

SCHÉMA DU SYSTÈME D'ENTRAÎNEMENT



Liste des pièces du système d'entraînement

#	DESCRIPTION	QTÉ	RÉF. ULINE	RÉF. DU FABRICANT
1	Roulement	1	H-7505-1231	0000-001231-00
2	Rondelle de blocage	5	H-4709-LW159	0000-000159-00
3	Pont	1	H-7505-BRDG	1113-220001-A0
4	Roulement	1	H-7505-1230	0000-001230-00
5	Support	1	H-7505-300	1113-210300-0A
6	Boulon	5	H-7505-BOLT	0000-000169-00
7	Ressort	1	H-7522	1113-300002-00
8	Boîte d'engrenages	1	-----	1113-221101-0A

ULINE H-7505

TRANSPALETTE ALIMENTÉ PAR BATTERIE – 2 600 LB

1 800 295-5510
uline.ca

LISTE DES PIÈCES DU SYSTÈME D'ENTRAÎNEMENT SUITE

#	DESCRIPTION	QTÉ	RÉF. ULINE	RÉF. DU FABRICANT
9	Vis M4 x 45 mm	3	H-7505-M4X45	3020-010000-10
10	Capuchon de transmission	1	-----	1115-200007-00
11	Vis	14	H-4709-SC386	0000-000386-00
12	Rondelle	15	-----	0000-000056-00
13	Graisser	1	-----	0000-000013-00
14	Goupille	2	-----	0000-000704-00
15	Capuchon de boîte à engrenages	1	H-4709-GCVR	1115-200001-00
16	Attache	1	-----	0000-000658-00
17	Attache	2	H-4709-CM15	0000-000659-00
18	Roulement	1	H-4709-BR619	0000-000667-00
19	Ensemble d'engrenages en spirale (comprend 2 engrenages)	1	H-4709-GK10	1115-GSX-10
20	Roulement	1	H-4709-BR680	0000-000680-00
21	Ensemble d'engrenages en spirale (comprend 2 engrenages)	1	H-4709-GK20	1115-GSX-20
22	Clé	1	H-4709-KY660	0000-000660-00
23	Vis	5	-----	0000-000026-00
24	Rondelle de blocage	5	H-4709-LW159	0000-000159-00
25	Joint d'huile	1	H-7505-OS	0000-001788-00
26	Vis d'assemblage à tête Allen M5 x 25 mm (utilisé jusqu'au n° de série 7281200545)	6	H-4709-M5X25	3020-010000-91
26a	Vis M5 x 30 mm (utilisé à partir du n° de série 7281200545)	6	-----	1115-200021-00
27	Rondelle	6	H-4709-206	0000-000206-00
28	Rainure de clavette	2	H-4709-KEY	0000-000662-00
29	Joint d'huile	1	H-4709-29	0000-000671-00
30	Roulement	2	H-4709-61824	0000-000663-00
31	Roue motrice	1	H-4709-DW2	1115-220000-D0
31	Roue motrice – Fileté	1	H-7505-DRIVQ	1115-220000-E0
32	Déflateur d'entraînement	1	H-4709-BAFFL	1115-200010-00
33	Moteur – Entraînement	1	H-4709-DMTR	1115-250000-00
34	Disque de frein	1	-----	1115-240001-00
35	Ensemble du frein	1	H-4709BASSY	1115-520012-10
36	Balais, moteur d'entraînement	4	-----	1115-250001-00
37	Vis	2	H-4709-004	0000-000004-00
38	Bloc de jonction	1	H-4709-TBLCK	1115-231000-00
39	Porte-balai	1	-----	1115-250003-00
40	Ressort – Balai de moteur	4	-----	1115-250002-00

ULINE H-7505
TRANSPALETTE ALIMENTÉ
PAR BATTERIE – 2 600 LB

1 800 295-5510
 uline.ca

LISTE DES PIÈCES DU SYSTÈME D'ENTRAÎNEMENT SUITE

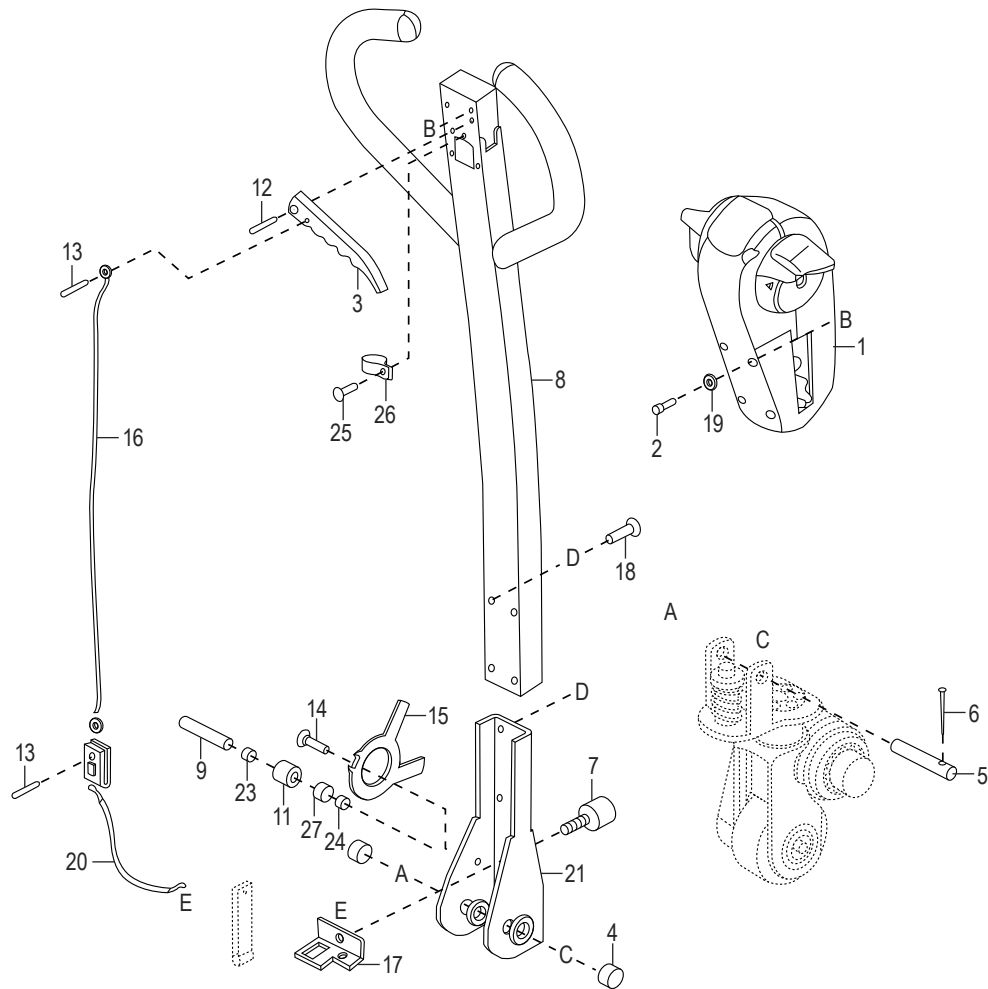
#	DESCRIPTION	QTÉ	RÉF. ULINE	RÉF. DU FABRICANT
41	Ensemble de jante interne (utilisé jusqu'au n° de série 7281200545) Comprend : • Jante interne (1) • Vis M5 x 30 mm (6) • Rondelle (6)	1	H-4709-IR	977021
41a	Jante interne (utilisé jusqu'au n° de série 7281200545)	1	H-4709-IRIM	1115-200001-DO
46	Ensemble du système d'entraînement	1	H-7505-DRIVE	1113-221000-00
46	Ensemble du système d'entraînement – Roue filetée	1	H-7505-DRIVQ	1113-200000-01
47	Chaîne	1	H-7505-CG	1113-500021-0A
48	Joint racleur	1	-----	1115-240002-0A
49	Rondelle plate	1	-----	0000-000380-00
50	Goupille fendue, 1,6 x 32 mm	1	H-7505-CP	0000-001577-00
55	Faisceau électrique	1	H-7505-WHB	1113-520022-00
56	Plaque	1	-----	1115-200020-00

ULINE H-7505

TRANSPALETTE ALIMENTÉ PAR BATTERIE – 2 600 LB

1 800 295-5510
uline.ca

SCHÉMA DU LEVIER DE DIRECTION



LISTE DES PIÈCES DU LEVIER DE DIRECTION

#	DESCRIPTION	QTÉ	RÉF. ULINE	RÉF. DU FABRICANT
1	Boîtier de commande pour n° de série jusqu'à 7291000191	1	H-7513	1113-301000-00
1b	Ensemble du compartiment de commande pour n° de série à partir de 7291000192 – Option de marche en position verticale incluse	1	H-7505-CPA	1113-31000X-00
2	Vis M4 x 12 mm	2	H-7505-M4X12	0000-001029-00
3	Levier de dégagement	1	-----	1113-313000-00
4	Bague	2	H-7505-BH	2028-019000-35
5	Arbre	1	H-7521	1113-300003-00
6	Goupille cylindrique	1	-----	0000-001023-00

ULINE H-7505
TRANSPALETTE ALIMENTÉ
PAR BATTERIE – 2 600 LB

1 800 295-5510
 uline.ca

LISTE DES PIÈCES DU LEVIER DE DIRECTION SUITE

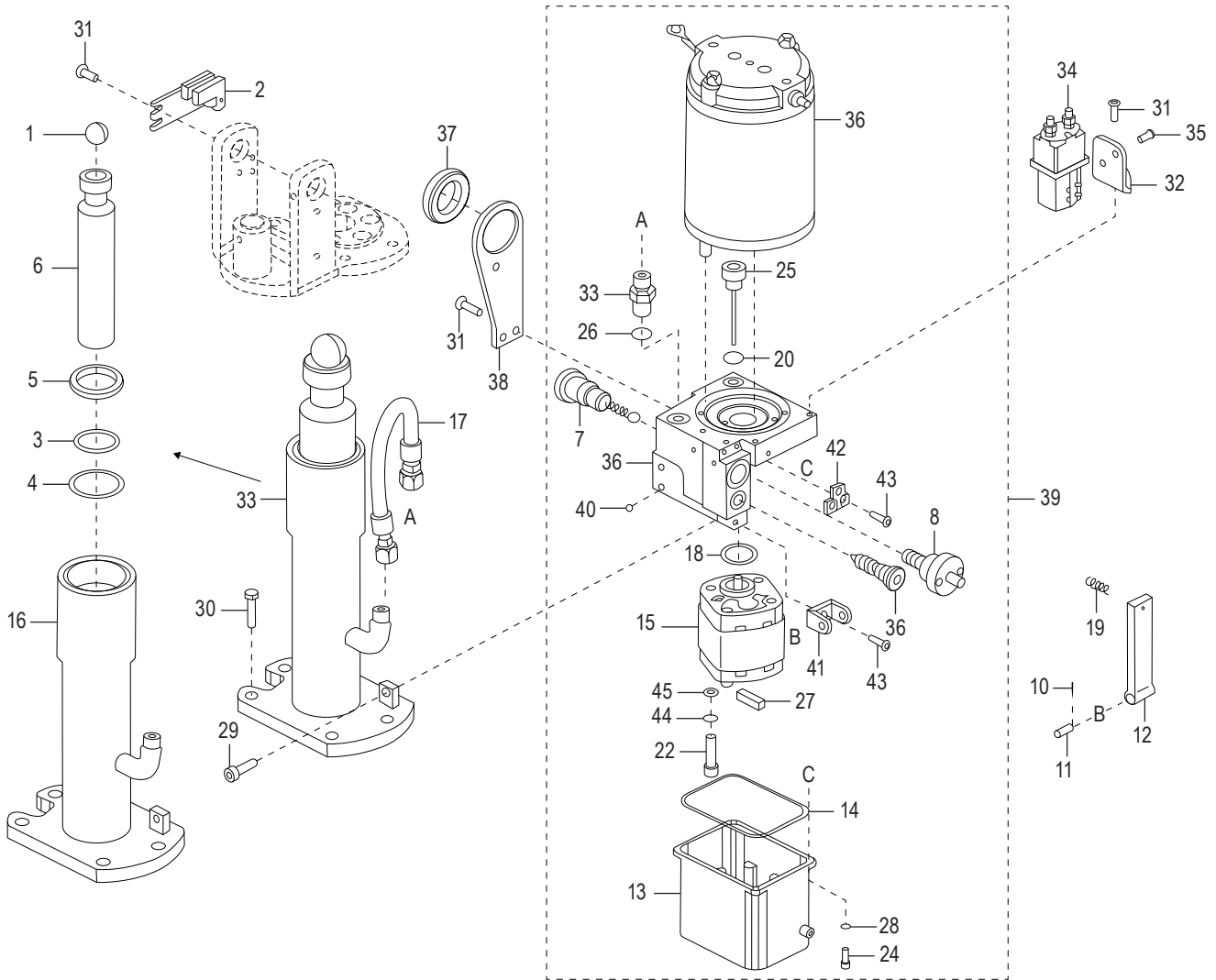
#	DESCRIPTION	QTÉ	RÉF. ULINE	RÉF. DU FABRICANT
7	Butoir	1	H-7523	1113-300001-00
8	Poignée de conduite	1	H-7520	1113-312000-0A
9	Arbre, axe de poignée	1	H-7505-HPS	1113-300007-00
11	Rouleau	1	H-7505-ROLLR	1113-300006-00
12	Goupille cylindrique, M6 x 30 mm	1	H-7505-M6X30	0000-001235-10
13	Goupille cylindrique, M4 x 12 mm	1	H-7505-M412P	0000-001236-10
14	Vis M5 x 8 mm	2	H-7505-M5X8	0000-001707-00
15	Actionneur	1	H-7505-ACUTR	1113-500011-0A
16	Fil d'acier	1	H-7505-STLWR	1113-314002-0A
17	Support	1	H-7505-BRKTQ	1113-314003-00
18	Vis M6 x 10	4	H-7505-M6X10	0000-001703-00
19	Rondelle de blocage Ø4	2	H-7505-WASH4	0000-000122-00
20	Câble d'abaissement	1	H-7534	1113-314004-0A
21	Support	1	H-7505-BCKT	1113-315000-0A
22	Pince de fil d'acier	1	H-7505-SWCLP	1113-314005-0A
23	Manchon	1	H-7505-SLV	2028-019000-14
24	Manchon	1	-----	2028-019000-23
25	Vis M4 x 8 mm	1	-----	0000-000416-00
26	Pince à faisceau R Uc-1.5	1	-----	0000-001103-00
27	Bague	1	-----	2028-019000-12

ULINE H-7505

TRANSPALETTE ALIMENTÉ PAR BATTERIE – 2 600 LB

1 800 295-5510
uline.ca

SCHEMA DU SYSTÈME HYDRAULIQUE



Liste des pièces du système hydraulique

#	DESCRIPTION	QTÉ	RÉF. ULINE	RÉF. DU FABRICANT
1	Bille d'acier	1	H-7505-SB	1121-410001-00
2	Interrupteur d'interverrouillage	1	H-7539	1113-502000-0A
3	Bague d'étanchéité 42 x 32 x 2 mm	1	-----	1113-411002-00
4	Garniture	1	-----	0000-000973-00
5	Segment racleur	1	-----	0000-000978-00
6	Tige de piston	1	-----	1113-413100-20
7	Clapet antiretour	1	H-7505-CV	1113-421000-00
8	Vanne de sécurité	1	H-7505-SV	1113-422000-00

ULINE H-7505

TRANSPALETTE ALIMENTÉ PAR BATTERIE – 2 600 LB

1 800 295-5510
uline.ca

LISTE DES PIÈCES DU SYSTÈME HYDRAULIQUE SUITE

#	DESCRIPTION	QTÉ	RÉF. ULINE	RÉF. DU FABRICANT
9	Vanne manuelle	1	H-7505-MV	1113-423000-00
10	Goupille fendue de 1,6 x 32 mm	1	H-7505-CD	0000-001577-00
11	Goupille de 6 x 35 mm	1	H-7505-P6X35	0000-001257-00
12	Plaque	1	H-7505-LP	1113-400001-00
13	Réservoir	1	H-7505-RES	1113-440003-00
14	Bague d'étanchéité	1	H-7505-SR	1113-440004-00
15	Pompe	1	-----	1113-436000-00
16	Tube cylindrique	1	H-7505CYL16Q	1113-411003-20
17	Tuyau hydraulique	1	-----	1113-431000-10
18	Joint torique de 17 x 1,5 mm	1	-----	0000-001624-00
19	Ressort	1	-----	1113-300005-00
20	Rondelle d'étanchéité	1	H-7505-SW	1113-440007-01
21	Moteur, pompe	1	H-7505-MTP	1113-433000-00
22	Vis de M5 x 63 mm	4	-----	0000-001632-00
23	Raccord	1	-----	2701-121200-00
24	Vis	4	-----	2028-007000-28
25	Jauge	1	H-7505-DIP	1113-440007-00
26	Rondelle de M12	1	-----	0000-001674-00
27	Aimant	1	-----	1113-430007-00
28	Rondelle de blocage	4	H-7505-WASH4	0000-000122-00
29	Boulon de M6 x 12 mm	3	H-7505BLT29Q	0000-001613-00
30	Boulon de M8 x 20 mm	4	H-7505BLT30Q	0000-001627-00
31	Vis de M5 x 10 mm	5	H-4709-22	0000-001616-00
32	Plaque II	1	-----	1113-430003-00
33	Ensemble du cylindre	1	H-7505-CYLAS	1113-411000-20
34	Contacteur	1	H-7505-CNTCT	1113-500006-10
35	Vis de M4 x 8 mm	2	H-7505-M4X8	0000-001609-00
36	Bloc de valves	1	-----	1113-441000-00
37	Bague	1	H-7505-GROMQ	1113-500022-0A
38	Plaque	1	-----	1113-430002-00
39	Ensemble moteur et pompe : si le n° de série du transpalette est antérieur à 727202209, changez également les caches de protection du compartiment hydraulique 1113-142001-0a et 1113-142002-0a	1	H-7505-PUMP	1113-440000-0A
40	Bille d'acier	5	-----	1113-440006-00
41	Support	1	-----	1113-440002-00
42	Support	1	-----	1113-440001-00
43	Vis	3	-----	3020-030000-17
44	Rondelle	3	H-4709-206	0000-000206-00
45	Rondelle plate	3	H-4709-390	0000-000390-00
46	Matériel d'étanchéité (comprend n° 3 et n° 5)	1	H-7505-SK	1113-ZZG-0A

ULINE H-7505

TRANSPALETTE ALIMENTÉ PAR BATTERIE – 2 600 LB

1 800 295-5510
uline.ca

LISTE DES PIÈCES DU SYSTÈME ÉLECTRIQUE SUITE

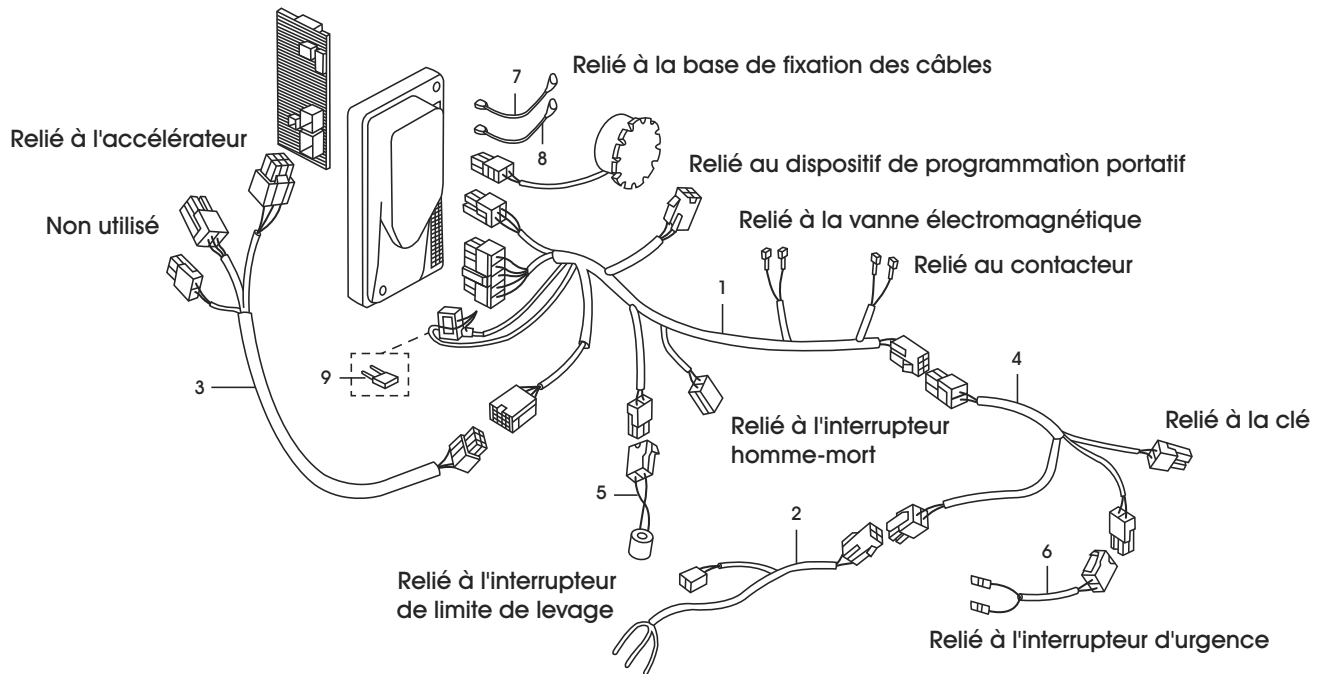
#	DESCRIPTION	QTÉ	RÉF. ULINE	RÉF. DU FABRICANT
9	Dispositif de commande programmé pour le E25	1	H-7514	1113-500008--00-50
10	Vis M5 x 10 mm	2	H-4709-22	0000-000616-00
11	Bloc-batterie au lithium-ion	1	H-7506	1113-513000-0H
14	Support de batterie	2	H-7505-BATSP	1113-511002-00
15	Vis M3 x 16 mm	8	H-7505-SCWM3	0000-001342-00
17	Support	1	H-7505-BKT01	1113-511001-00
18	Interrupteur d'urgence d'arrêt	1	H-7518	1113-500012-01
19	Support, mouvement de ressort	1	H-7505-CLAMP	1113-511004-00
21	Douille de contact	2	H-8143	1113-513002-00
22	Pièce d'ensemble n° 32	1	Part of H-7505-2BRKT	1113-513003-00
23	Douille de contact	4	H-8146	1113-513001-00
24	Support	1	-----	1113-513004-00
25	Vis M3 x 10 mm	4	H-8144	0000-001616-00
26	Vis M3 x 14 mm	8	-----	0000-001631-00
27	Vis	2	H-8149	0000-001617-00
28	Contact en ampoule	1	H-7505-RS	1113-500001-00
29	Ensemble de la base d'interrupteur et de la clé	1	H-7527	1113-540000-0A
32	Ensemble du support (2 douilles) Comprend : • Support n° 12 (1) • Douille de contact n° 21 (2) • Vis M3 x 10 mm n° 27 (2)	1	H-7505-2BRKT	LB00-00000Z-02
33	Ensemble du support (4 douilles) Comprend : • Support n° 24 (1) • Douille de contact n° 23 (4) • Vis M3 x 10 mm n° 25 (4)	1	H-7505-BRCKT	LB00-00000Z-01
34	Ensemble du support (2 chevilles) Comprend : • Support (1) • Cheville (2) • Vis M3 x 10 mm (2) • Manchon de ressort (2)	1	H-7505-2PBA	1113-511011-00
35	Ensemble du support (4 chevilles) Comprend : • Support (1) • Cheville (4) • Vis M3 x 10 mm (4) • Manchon de ressort (4)	1	H-7505-4PBA	1113-511010-00

ULINE H-7505

TRANSPALETTE ALIMENTÉ PAR BATTERIE – 2 600 LB

1 800 295-5510
uline.ca

SCHÉMA DU FAISCEAU ÉLECTRIQUE



Liste des pièces du faisceau électrique

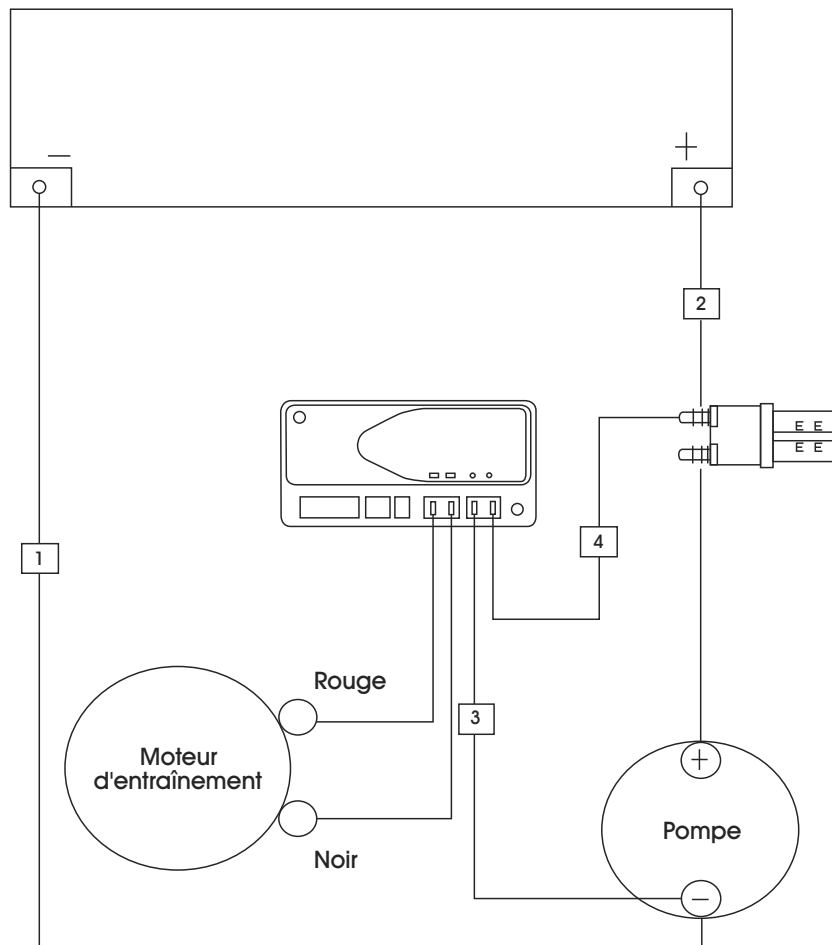
#	DESCRIPTION	QTÉ	RÉF. ULINE	RÉF. DU FABRICANT
1	Faisceau électrique principal	1	H-7535	1113-520001-10
2	Faisceau électrique	1	H-7540	1113-520014-00
3	Faisceau électrique – Utilisé pour les numéros de série inférieurs à 7291000192	1	H-7530	1113-520004-00
3a	Faisceau électrique – Utilisé pour les numéros de série supérieurs à 7291000192	1	H-7505-WH	1113-520004-1A
4	Faisceau électrique	1	H-7505-WIRE	1113-520010-0A
5	Klaxon avec connecteur	1	H-7529	1113-520006-00
6	Faisceau électrique de sectionnement d'urgence	1	H-7505-6	1113-520012-00
7	Câble M1	1	-----	1113-530005-0A
8	Câble M2	1	-----	1113-530006-0A
9	Fusible 5 A	1	H-7519	1113-520025-00

ULINE H-7505

TRANSPALETTE ALIMENTÉ PAR BATTERIE – 2 600 LB

1 800 295-5510
uline.ca

DIAGRAMME DU CÂBLAGE ÉLECTRIQUE (JUSQU'AU N° DE SÉRIE 7311905397)



Liste des pièces du câblage électrique

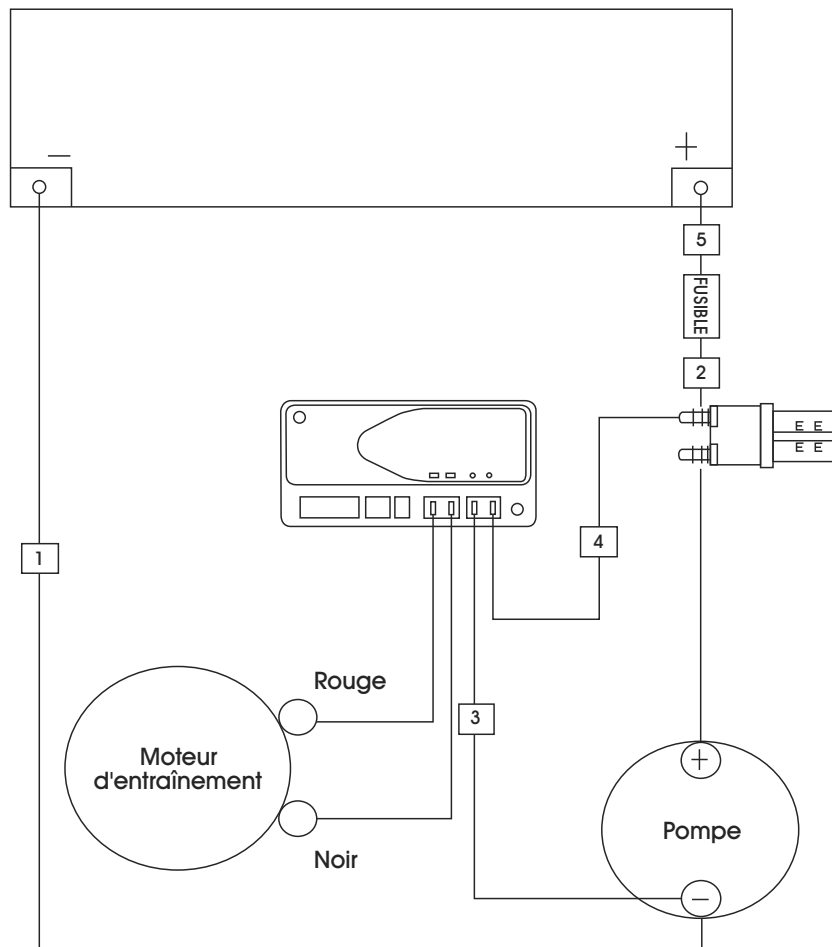
#	DESCRIPTION	QTÉ	RÉF. ULINE	RÉF. DU FABRICANT
1	Cordon d'alimentation (-)	1	H-7505-NEG	1113-530001-00
2	Cordon d'alimentation (+)	1	H-7505-POS	1113-530002-00
3	Régulateur (-)	1	-----	1113-530004-00
4	Régulateur (+)	1	-----	1113-530003-00

ULINE H-7505

TRANSPALETTE ALIMENTÉ PAR BATTERIE – 2 600 LB

1 800 295-5510
uline.ca

DIAGRAMME DU CÂBLAGE ÉLECTRIQUE (À PARTIR DU N° DE SÉRIE 7311905398)



LISTE DES PIÈCES DU CÂBLAGE ÉLECTRIQUE

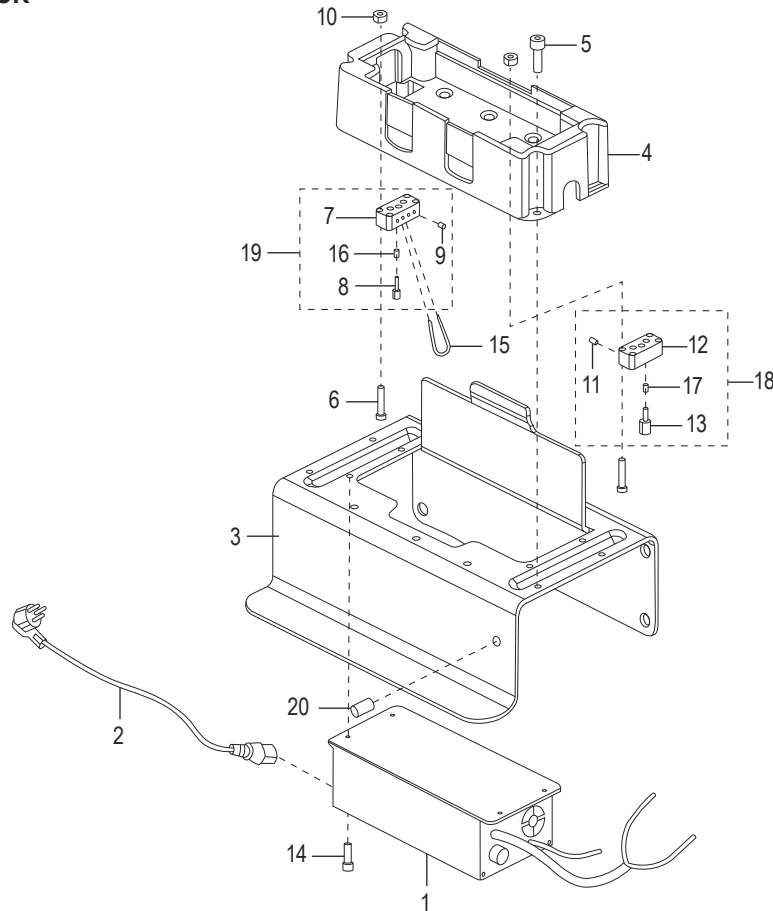
#	DESCRIPTION	QTÉ	RÉF. ULINE	RÉF. DU FABRICANT
1	Cordon d'alimentation (-)	1	H-7505-NEG	1113-530001-00
2	Câble B+ reliant le fusible au contacteur	1	H-7505-3700	1113-530002-00
3	Régulateur (-)	1	-----	1113-530004-00
4	Régulateur (+)	1	-----	1113-530003-00
5	Câble B+ reliant la batterie au fusible	1	H-7505-3600	1113-520036-00

ULINE H-7505

TRANSPALETTE ALIMENTÉ PAR BATTERIE – 2 600 LB

1 800 295-5510
uline.ca

SCHÉMA DU CHARGEUR



Liste des pièces du chargeur

#	DESCRIPTION	QTÉ	RÉF. ULINE	RÉF. DU FABRICANT
	Ensemble du chargeur comprend 0 et 2A	1	-----	908947
0	Ensemble de rechargement Comprend : • Support, mouvement de ressort (19) • Douille de contact (23) • Vis M3 x 10 mm (25)	1	H-7505-CHGRA	1113-51220Z-40
1	Chargeur	1	H-7505-CHRGQ	1113-512200-40
2	Câble de chargeur (capuchon de chargeur en caoutchouc non compris)	1	H-4709CHRCBL	1115-500006-10
2a	Cordon de chargeur	1	H-7505-CCORD	1120-510002-00-08
3	Support, chargeur	1	-----	1113-512100-0A
4	Support	1	H-7505-BKT01	1113-511001-00
5	Vis M5 x 10 mm	4	H-7505-M5X10	0000-001610-00
6	Vis M3 x 16 mm	4	H-7505-SCWM3	0000-001342-00
7	Support	1	H-7505-BKT05	1113-511005-00

ULINE H-7505
TRANSPALETTE ALIMENTÉ
PAR BATTERIE – 2 600 LB

1 800 295-5510
 uline.ca

LISTE DES PIÈCES DU CHARGEUR SUITE

#	DESCRIPTION	QTÉ	RÉF. ULINE	RÉF. DU FABRICANT
8	Cheville de contact	4	H-7505-CTPIN	1113-511006-0A
9	Vis	4	H-8144	0000-001616-00
10	Écrou M3	8	-----	0000-000982-00
11	Vis	2	H-8149	0000-001617-00
12	Support	1	H-7505-BKT03	1113-511003-00
13	Cheville de contact	2	H-8145	1113-511007-0A
14	Vis	4	-----	0000-001705-00
15	Câble de circuit de sécurité	1	-----	1113-520017-00
16	Manchon de ressort	4	H-8147	1113-511009-0A
17	Manchon de ressort	2	H-8148	1113-511008-0A
18	Ensemble du support (2 chevilles) Comprend : • Support n° 12 (1) • Cheville (2) • Vis de réglage (2)	1	H-7505-2PBA	1113-511011-00
19	Ensemble du support (4 chevilles) Comprend : • Support n° 7 (1) • Cheville (4) • Vis de réglage (4)	1	H-7505-4PBA	1113-511010-00
20	Douille DEL	1	-----	1113-511012-00