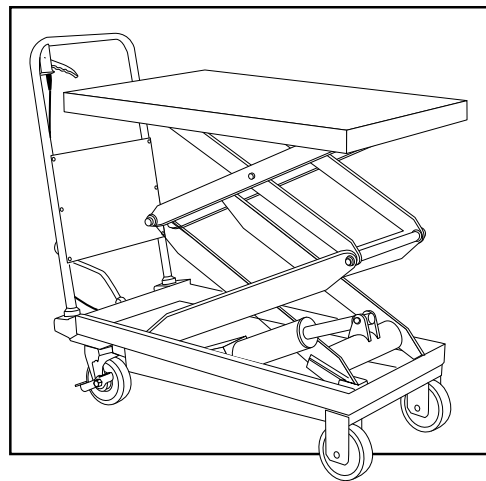


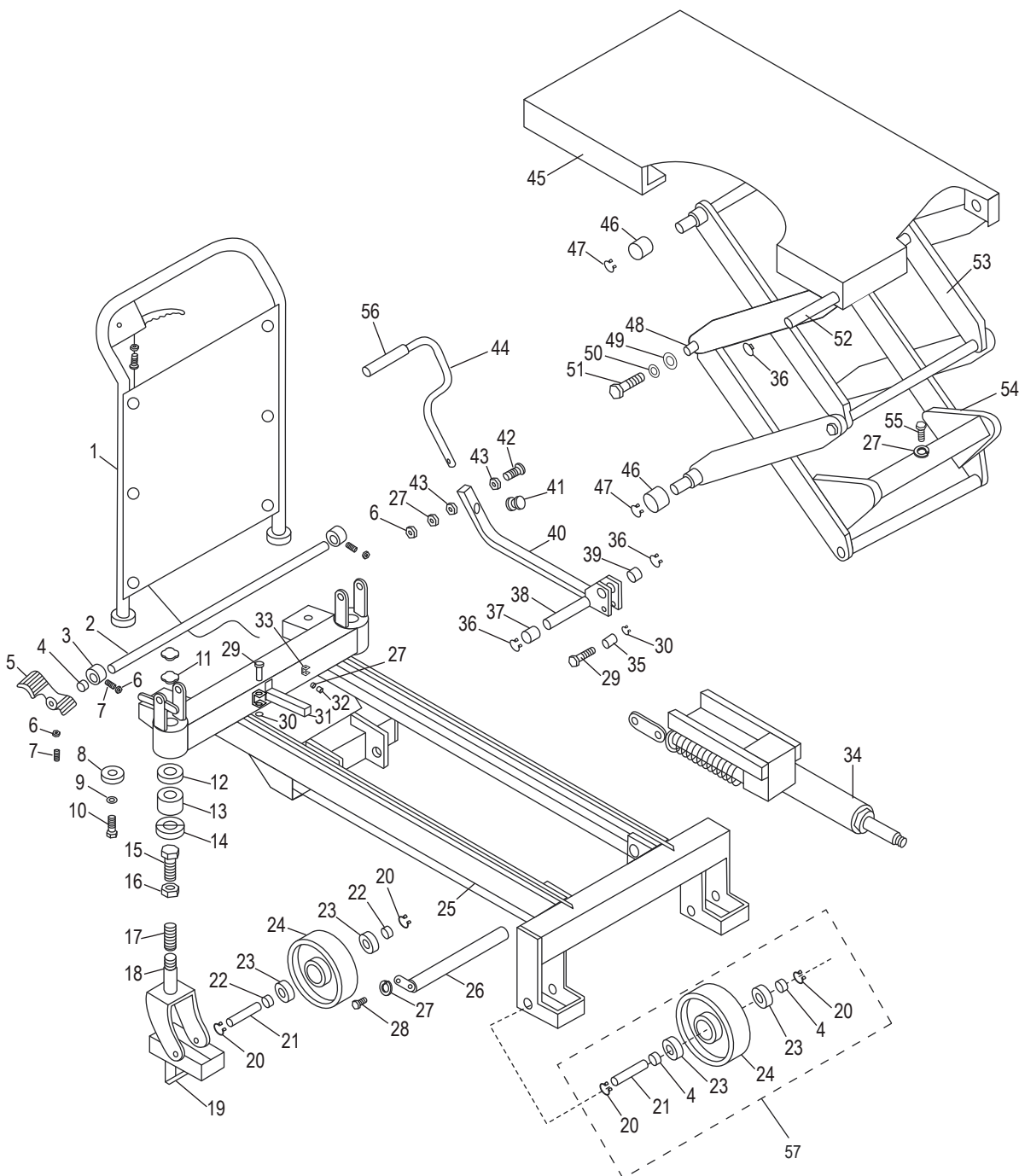
# ULINE H-8152 DOUBLE SCISSOR LIFT TABLE

1-800-295-5510

uline.com



## PRIMARY ASSEMBLY



**ULINE H-8152**  
**DOUBLE SCISSOR**  
**LIFT TABLE**

1-800-295-5510  
 uline.com

PRIMARY ASSEMBLY PARTS LIST

| #  | DESCRIPTION                    | QTY. | ULINE PART NO.              | MFG. PART NO. |
|----|--------------------------------|------|-----------------------------|---------------|
| 1  | Handle Unit                    | 1    | <a href="#">H-8152-HBPA</a> | SPS800-PT#1,9 |
| 2  | Brake Lever                    | 1    | <a href="#">H-8152-2Q</a>   | SPS800-PT#2   |
| 3  | Brake Cam                      | 2    | <a href="#">H-8152-3Q</a>   | SPS800-PT#3   |
| 4  | Retainer Ring (22 x 17 x 10)   | 5    | <a href="#">H-8152-4Q</a>   | SPS800-PT#4   |
| 5  | Brake Pedal                    | 1    | <a href="#">H-8152-5Q</a>   | SPS800-PT#5   |
| 6  | Hexagon Nut – M8 x 20 mm       | 4    | <a href="#">H-8152-6Q</a>   | SPS800-PT#6   |
| 7  | Set Screw M8                   | 3    | <a href="#">H-8152-7Q</a>   | SPS800-PT#7   |
| 8  | Round Nut                      | 2    | -----                       | SPS800-PT#8   |
| 9  | Spring Washer 12               | 2    | -----                       | SPS800-PT#9   |
| 10 | Hexagon Bolt – 12 x 30 mm      | 2    | -----                       | SPS800-PT#10  |
| 11 | Round Nut                      | 4    | <a href="#">H-1783-9</a>    | SP700-11      |
| 12 | Bearing 6005                   | 2    | <a href="#">H-8152-12Q</a>  | SPS800-PT#12  |
| 13 | Bushing                        | 2    | <a href="#">H-8152-13Q</a>  | SPS800-PT#13  |
| 14 | Bearing 30205                  | 2    | <a href="#">H-8152-14Q</a>  | SPS800-PT#14  |
| 15 | Hexagon Bolt – M10 x 35 mm     | 2    | <a href="#">H-8152-15Q</a>  | SPS800-PT#15  |
| 16 | Hexagon Nut – M10              | 2    | <a href="#">H-8152-16Q</a>  | SPS800-PT#16  |
| 17 | Spring                         | 2    | <a href="#">H-8152-17Q</a>  | SPS800-PT#17  |
| 18 | Universal Wheel Bracket        | 2    | -----                       | SPS800-PT#18  |
| 19 | Brake Pad Unit                 | 2    | -----                       | SPS800-PT#19  |
| 20 | Circlip for Shaft 17           | 8    | -----                       | SPS800-PT#20  |
| 21 | Roll Pin                       | 4    | -----                       | SPS800-PT#21  |
| 22 | Lining Ring                    | 4    | -----                       | SPS800-PT#22  |
| 23 | Wheel Bearing                  | 8    | <a href="#">H-1783-25</a>   | SP800-PT#25   |
| 24 | Wheel                          | 4    | -----                       | SPS800-PT#24  |
| 25 | Car Frame                      | 1    | -----                       | SPS800-PT#25  |
| 26 | L Shape Pin Roll               | 1    | -----                       | SPS800-PT#26  |
| 27 | Spring Washer 8                | 3    | -----                       | SPS800-PT#27  |
| 28 | Hexagon Bolt – M8 x 14 mm      | 1    | -----                       | SPS800-PT#28  |
| 29 | Roll Pin                       | 2    | <a href="#">H-8152-29Q</a>  | SPS800-PT#29  |
| 30 | Circlip for Shaft 10           | 2    | -----                       | SPS800-PT#30  |
| 31 | Safety Support Bar             | 1    | -----                       | SPS800-PT#31  |
| 32 | Hexagon Head Bolt – M8 x 20 mm | 1    | -----                       | SPS800-PT#32  |
| 33 | Clamp                          | 1    | -----                       | SPS800-PT#33  |
| 34 | Pump Jack Assembly             | 1    | <a href="#">H-8152-PUMP</a> | SPS800-PT#34  |
| 35 | Bushing                        | 1    | <a href="#">H-8152-35Q</a>  | SPS800-PT#35  |
| 36 | Circlip for Shaft 20           | 4    | -----                       | SPS800-PT#36  |
| 37 | Retainer Ring                  | 1    | -----                       | SPS800-PT#37  |
| 38 | Roll Pin                       | 1    | -----                       | SPS800-PT#38  |
| 39 | Retainer Ring                  | 1    | -----                       | SPS800-PT#39  |

**ULINE H-8152**  
**DOUBLE SCISSOR**  
**LIFT TABLE**

1-800-295-5510  
 uline.com

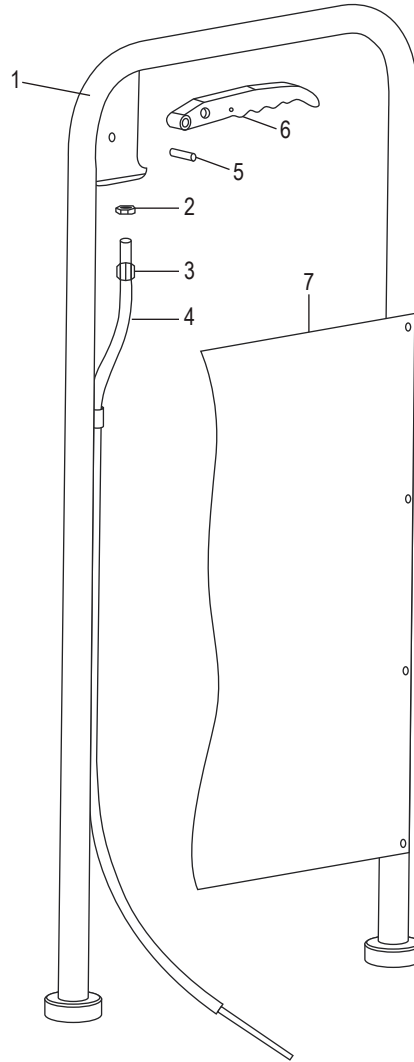
PRIMARY ASSEMBLY PARTS LIST CONTINUED

| #  | DESCRIPTION   | QTY. | ULINE PART NO.               | MFG. PART NO.           |
|----|---|------|------------------------------|-------------------------|
| 40 | Pedal Square Bar  | 1    | <a href="#">H-8152-PDLRD</a> | SPS800-PT#40            |
| 41 | Cushion Pad   | 1    | -----                        | SPS800-PT#41            |
| 42 | Hexagon Bolt – M8 x 35 mm   | 1    | -----                        | SPS800-PT#42            |
| 43 | Flat Washer 8   | 2    | -----                        | SPS800-PT#43            |
| 44 | Pedal Bar   | 1    | <a href="#">H-1486-4759</a>  | SP300-PT#23             |
| 45 | Table-Board   | 1    | -----                        | SPS800-PT#45            |
| 46 | Roller, Underneath  | 4    | -----                        | SPS800-PT#46            |
| 47 | Circlip for Shaft 22  | 4    | -----                        | SPS800-PT#47            |
| 48 | Connecting Shaft  | 2    | -----                        | SPS800-PT#48            |
| 49 | Flat Washer 24  | 4    | -----                        | SPS800-PT#49            |
| 50 | Flat Washer 12  | 4    | -----                        | SPS800-PT#50            |
| 51 | Hexagon Bolt – M12 x 30 mm  | 4    | -----                        | SPS800-PT#51            |
| 52 | Pin Roll  | 1    | -----                        | SPS800-PT#52            |
| 53 | Fork Arm, Upper   | 1    | -----                        | SPS800-PT#53            |
| 54 | Fork Arm, Underneath  | 1    | -----                        | SPS800-PT#54            |
| 55 | Hexagon Socket Head Cap Screws – M8 x 12 mm   | 1    | -----                        | SPS800-PT#55            |
| 56 | Pedal Rod Sleeve  | 1    | -----                        | SPS800-PT#56            |
| 57 | <b>Rigid Wheel Assembly Kit</b><br>Includes:<br>• Retainer Ring #4 (2)<br>• Circlip for Shaft 17 #20 (2)<br>• Roll Pin #21 (1)<br>• Bearing 60203 #23 (2)<br>• Wheel #24 (1)  | 1    | -----                        | SPS800-PT#4,20-21,23-24 |
|    | Swivel Wheel Complete (Not Shown)   | 1    | <a href="#">H-8152-SWC</a>   | SPS800#18-24            |
|    | <b>Seal Kit (Not Shown)</b><br>Includes:<br>• O-Ring – 22.4 mm x 2.65 mm<br>• Seal Ring<br>• Dust Ring<br>• Washer<br>• O-Ring – 10.6 mm x 8 mm<br>• O-Ring – 7.5 mm x 2.65 mm<br>• O-Ring – 6.9 mm x 1.8 mm<br>• O-Ring – 77.5 mm x 3.55 mm<br>• Rectangular Seal<br>• O-Ring – 41.5 mm x 4.6 mm<br>• Cup<br>• O-Ring – 20 mm x 2.65 mm<br>• O-Ring – 31.5 mm x 3.55 mm<br>• Frame Sealing | 1    | <a href="#">H-8152-SEAL</a>  | SPS800-SEAL             |

**ULINE H-8152**  
**DOUBLE SCISSOR**  
**LIFT TABLE**

1-800-295-5510  
 uline.com

HANDLE ASSEMBLY



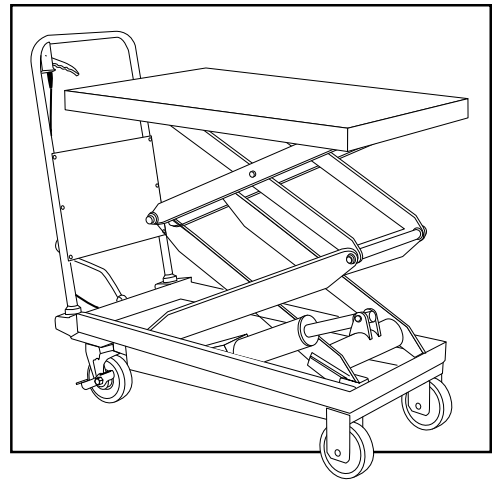
HANDLE ASSEMBLY PARTS LIST

| # | DESCRIPTION  | QTY. | ULINE PART NO.               | MFG. PART NO.        |
|---|--|------|------------------------------|----------------------|
| 1 | Handle Bar Assembly                                    | 1    | -----                        | SPS800-HANDLE-PT#1   |
| 2 | Hexagon Nut – M8                                       | 1    | -----                        | SPS800-HANDLE-PT#2   |
| 3 | Adjusting Screw  | 1    | -----                        | SPS800-HANDLE-PT#3   |
| 4 | Pull Rod   | 1    | <a href="#">H-1783-PLROD</a> | SPS800-PT#1          |
| 5 | Straight Pin – 6 x 30 mm                               | 1    | -----                        | SPS800-HANDLE-PT#5   |
| 6 | Lowering Rod   | 1    | <a href="#">H-1486-65</a>    | SPS800-HANDLE-PT#6   |
| 7 | Plate  | 1    | -----                        | SPS800-HANDLE-PT#7   |
|   | Lowering Rod Assembly for SPS800-Handle<br>(Not Shown) | 1    | -----                        | SPS800-HANDLE PT#2-6 |

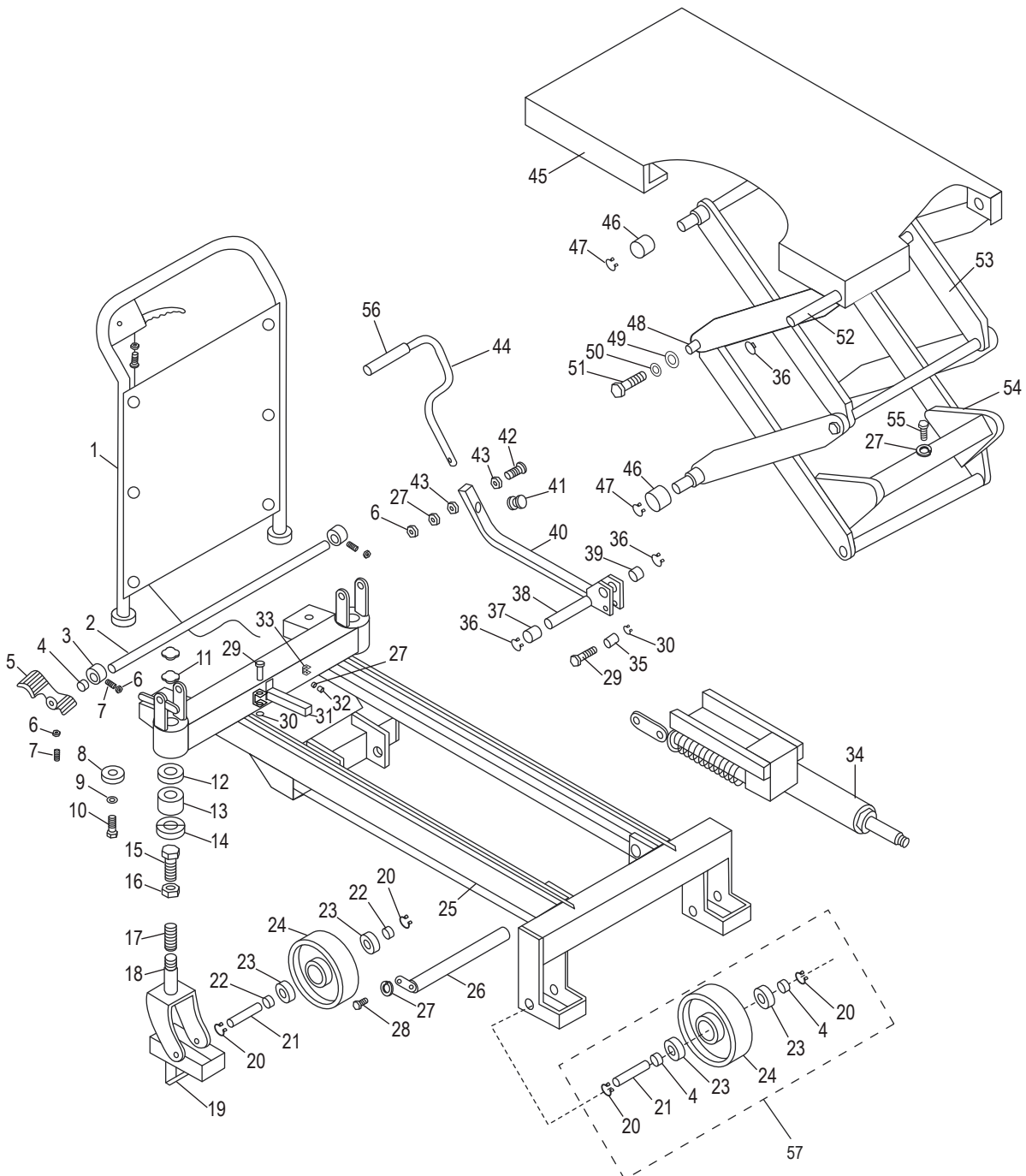
# ULINE H-8152

## MESA DE ELEVACIÓN DE TIJERA DOBLE

800-295-5510  
uline.mx



### ENSAMBLE PRINCIPAL



**ULINE H-8152**  
**MESA DE ELEVACIÓN**  
**DE TIJERA DOBLE**

800-295-5510  
 uline.mx

LISTA DE PARTES DEL ENSAMBLE PRINCIPAL

| #  | DESCRIPCIÓN                                | CANT. | NO. DE PARTE DE ULINE       | NO. DE PARTE DEL FABRICANTE |
|----|--|-------|-----------------------------|-----------------------------|
| 1  | Asa  | 1     | <a href="#">H-8152-HBPA</a> | SPS800-PT-#1,9              |
| 2  | Palanca de Freno                           | 1     | <a href="#">H-8152-2Q</a>   | SPS800-PT-#2                |
| 3  | Leva de Freno                              | 2     | <a href="#">H-8152-3Q</a>   | SPS800-PT-#3                |
| 4  | Anillo de Retención (22 x 17 x 10)         | 5     | <a href="#">H-8152-4Q</a>   | SPS800-PT-#4                |
| 5  | Pedal de Freno                             | 1     | <a href="#">H-8152-5Q</a>   | SPS800-PT-#5                |
| 6  | Tuerca Hexagonal M8 x 20                   | 4     | <a href="#">H-8152-6Q</a>   | SPS800-PT-#6                |
| 7  | Tornillo de Ajuste M8                      | 3     | <a href="#">H-8152-7Q</a>   | SPS800-PT-#7                |
| 8  | Tuerca Redonda                             | 2     | -----                       | SPS800-PT-#8                |
| 9  | Rondanas con Resorte 12                    | 2     | -----                       | SPS800-PT-#9                |
| 10 | Perno Hexagonal 12 x 30                    | 2     | -----                       | SPS800-PT-#10               |
| 11 | Tuerca Redonda                             | 4     | <a href="#">H-1783-9</a>    | SP700-11                    |
| 12 | Balero 6005                                | 2     | <a href="#">H-8152-12Q</a>  | SPS800-PT-#12               |
| 13 | Casquillo                                  | 2     | <a href="#">H-8152-13Q</a>  | SPS800-PT-#13               |
| 14 | Balero 30205                               | 2     | <a href="#">H-8152-14Q</a>  | SPS800-PT-#14               |
| 15 | Perno Hexagonal M10 x 35                   | 2     | <a href="#">H-8152-15Q</a>  | SPS800-PT-#15               |
| 16 | Tuerca Hexagonal M10                       | 2     | <a href="#">H-8152-16Q</a>  | SPS800-PT-#16               |
| 17 | Resorte                                    | 2     | <a href="#">H-8152-17Q</a>  | SPS800-PT-#17               |
| 18 | Abrazadera para Rueda Universal            | 2     | -----                       | SPS800-PT-#18               |
| 19 | Pastilla de Freno                          | 2     | -----                       | SPS800-PT-#19               |
| 20 | Clip Circular para Eje 17                  | 8     | -----                       | SPS800-PT-#20               |
| 21 | Rodillo con Perno                          | 4     | -----                       | SPS800-PT-#21               |
| 22 | Anillo de Revestimiento                    | 4     | -----                       | SPS800-PT-#22               |
| 23 | Balero de Llanta                           | 8     | <a href="#">H-1783-25</a>   | SP800-PT#25                 |
| 24 | Llanta                                     | 4     | -----                       | SPS800-PT-#24               |
| 25 | Carrocería                                 | 1     | -----                       | SPS800-PT-#25               |
| 26 | Rodillo con Perno en Forma de L            | 1     | -----                       | SPS800-PT-#26               |
| 27 | Rondanas con Resorte 8                     | 3     | -----                       | SPS800-PT-#27               |
| 28 | Perno Hexagonal M8 x 14                    | 1     | -----                       | SPS800-PT-#28               |
| 29 | Rodillo con Perno                          | 2     | <a href="#">H-8152-29Q</a>  | SPS800-PT-#29               |
| 30 | Clip Circular para Eje 10                  | 2     | -----                       | SPS800-PT-#30               |
| 31 | Barra de Soporte de Seguridad              | 1     | -----                       | SPS800-PT-#31               |
| 32 | Perno Hexagonal con Cabeza de Cruz M8 x 20 | 1     | -----                       | SPS800-PT-#32               |
| 33 | Abrazadera                                 | 1     | -----                       | SPS800-PT-#33               |
| 34 | Ensamble de la Bomba del Gato              | 1     | <a href="#">H-8152-PUMP</a> | SPS800-PT-#34               |
| 35 | Casquillo                                  | 1     | <a href="#">H-8152-35Q</a>  | SPS800-PT-#35               |
| 36 | Clip Circular para Eje 20                  | 4     | -----                       | SPS800-PT-#36               |
| 37 | Anillo de Retención                        | 1     | -----                       | SPS800-PT-#37               |
| 38 | Rodillo con Perno                          | 1     | -----                       | SPS800-PT-#38               |
| 39 | Anillo de Retención                        | 1     | -----                       | SPS800-PT-#39               |

**ULINE H-8152**  
**MESA DE ELEVACIÓN**  
**DE TIJERA DOBLE**

800-295-5510  
 uline.mx

CONTINUACIÓN DE LA LISTA DE PARTES DEL ENSAMBLE PRINCIPAL

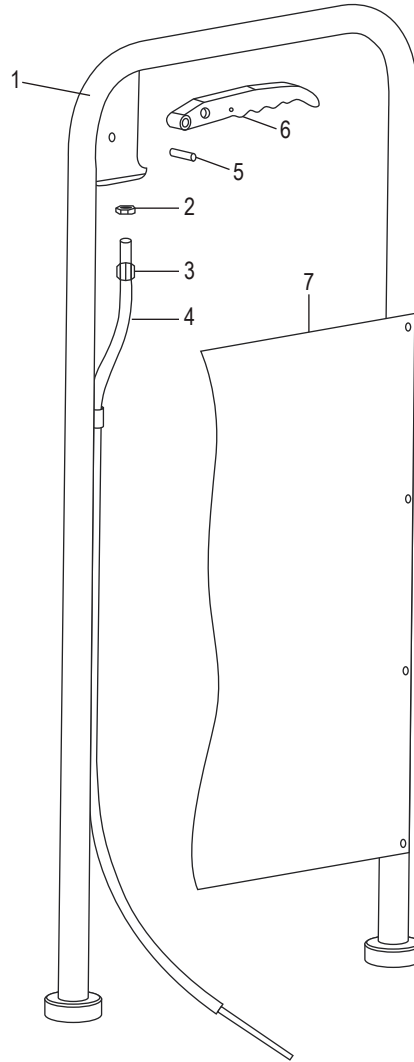
| #  | DESCRIPCIÓN  | CANT. | NO. DE PARTE DE ULINE        | NO. DE PARTE DEL FABRICANTE |
|----|--|-------|------------------------------|-----------------------------|
| 40 | Barra Cuadrada del Pedal   | 1     | <a href="#">H-8152-PDLRD</a> | SPS800-PT-#40               |
| 41 | Almohadilla  | 1     | -----                        | SPS800-PT-#41               |
| 42 | Perno Hexagonal M8 x 35  | 1     | -----                        | SPS800-PT-#42               |
| 43 | Rondana Plana 8  | 2     | -----                        | SPS800-PT-#43               |
| 44 | Barra del Pedal  | 1     | <a href="#">H-1486-4759</a>  | SP300-PT#23                 |
| 45 | Tablero de la Mesa   | 1     | -----                        | SPS800-PT-#45               |
| 46 | Rodillo, Inferior  | 4     | -----                        | SPS800-PT-#46               |
| 47 | Clip Circular para Eje 22  | 4     | -----                        | SPS800-PT-#47               |
| 48 | Eje de Conexión  | 2     | -----                        | SPS800-PT-#48               |
| 49 | Rondana Plana 24   | 4     | -----                        | SPS800-PT-#49               |
| 50 | Rondana Plana 12   | 4     | -----                        | SPS800-PT-#50               |
| 51 | Perno Hexagonal M12 x 30   | 4     | -----                        | SPS800-PT-#51               |
| 52 | Rodillo con Perno  | 1     | -----                        | SPS800-PT-#52               |
| 53 | Brazo de la Horquilla, Superior  | 1     | -----                        | SPS800-PT-#53               |
| 54 | Brazo de la Horquilla, Inferior  | 1     | -----                        | SPS800-PT-#54               |
| 55 | Tornillos de Cabeza Hueca Hexagonales M8 x 12  | 1     | -----                        | SPS800-PT-#55               |
| 56 | Funda de la Varilla de Pedal   | 1     | -----                        | SPS800-PT-#56               |
| 57 | <b>Kit del Ensamble de la Llanta Rígida</b><br>Incluye:<br>• Anillo de Retención (22 x 17 x 10) #4 (2)<br>• Clip Circular para Eje 17 #20 (1)<br>• Rodillo con Perno #21 (2)<br>• Balero 6203-2RS #23 (2)<br>• Rueda #24 (1)   | 1     | -----                        | SPS800-PT4,20-21,23-24      |
|    | Rueda Giratoria Completa (No se Muestra)   | 1     | <a href="#">H-8152-SWC</a>   | SPS800#18-24                |
|    | <b>Kit de Sellos (No Se Muestra)</b><br>Incluye:<br>• Anillo Tórico de 22.4 mm x 2.65 mm<br>• Sello del Anillo<br>• Anillo para Polvo<br>• Rondana<br>• Anillo Tórico de 10.6 mm x 8 mm<br>• Anillo Tórico de 7.5 mm x 2.65 mm<br>• Anillo Tórico de 6.9 mm x 1.8 mm<br>• Anillo Tórico de 77.5 mm x 3.55 mm<br>• Sello Rectangular<br>• Anillo Tórico de 41.5 mm x 4.6 mm<br>• Recipiente<br>• Anillo Tórico de 20 mm x 2.65 mm<br>• Anillo Tórico de 31.5 mm x 3.55 mm<br>• Sellador del Armazón | 1     | <a href="#">H-8152-SEAL</a>  | SPS800-SEAL                 |

# ULINE H-8152

## MESA DE ELEVACIÓN DE TIJERA DOBLE

800-295-5510  
uline.mx

### ENSAMBLE DEL ASA



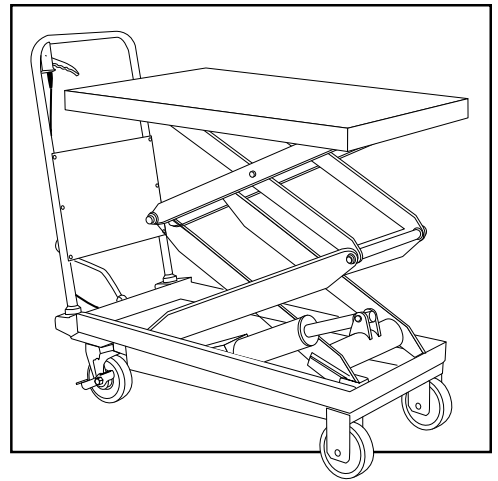
### LISTA DE PARTES DEL ENSAMBLE DEL ASA

| # | DESCRIPCIÓN   | CANT. | NO. DE PARTE DE ULINE        | NO. DE PARTE DEL FABRICANTE |
|---|---|-------|------------------------------|-----------------------------|
| 1 | Ensamble de la Barra del Asa  | 1     | -----                        | SPS800-HANDLE-PT-#1         |
| 2 | Tuerca Hexagonal M8   | 1     | -----                        | SPS800-HANDLE-PT-#2         |
| 3 | Tornillo de Ajuste  | 1     | -----                        | SPS800-HANDLE-PT-#3         |
| 4 | Varilla de Apoyo  | 1     | <a href="#">H-1783-PLROD</a> | SPS800-PT#1                 |
| 5 | Pasador Recto 6 x 30  | 1     | -----                        | SPS800-HANDLE-PT-#5         |
| 6 | Varilla de Descenso   | 1     | <a href="#">H-1486-65</a>    | SPS800-HANDLE-PT-#6         |
| 7 | Placa   | 1     | -----                        | SPS800-HANDLE-PT-#7         |
|   | Ensamble de la Varilla de Descenso para SPS800-Handle (No se Muestra) | 1     | -----                        | SPS800-HANDLE PT#2-6        |

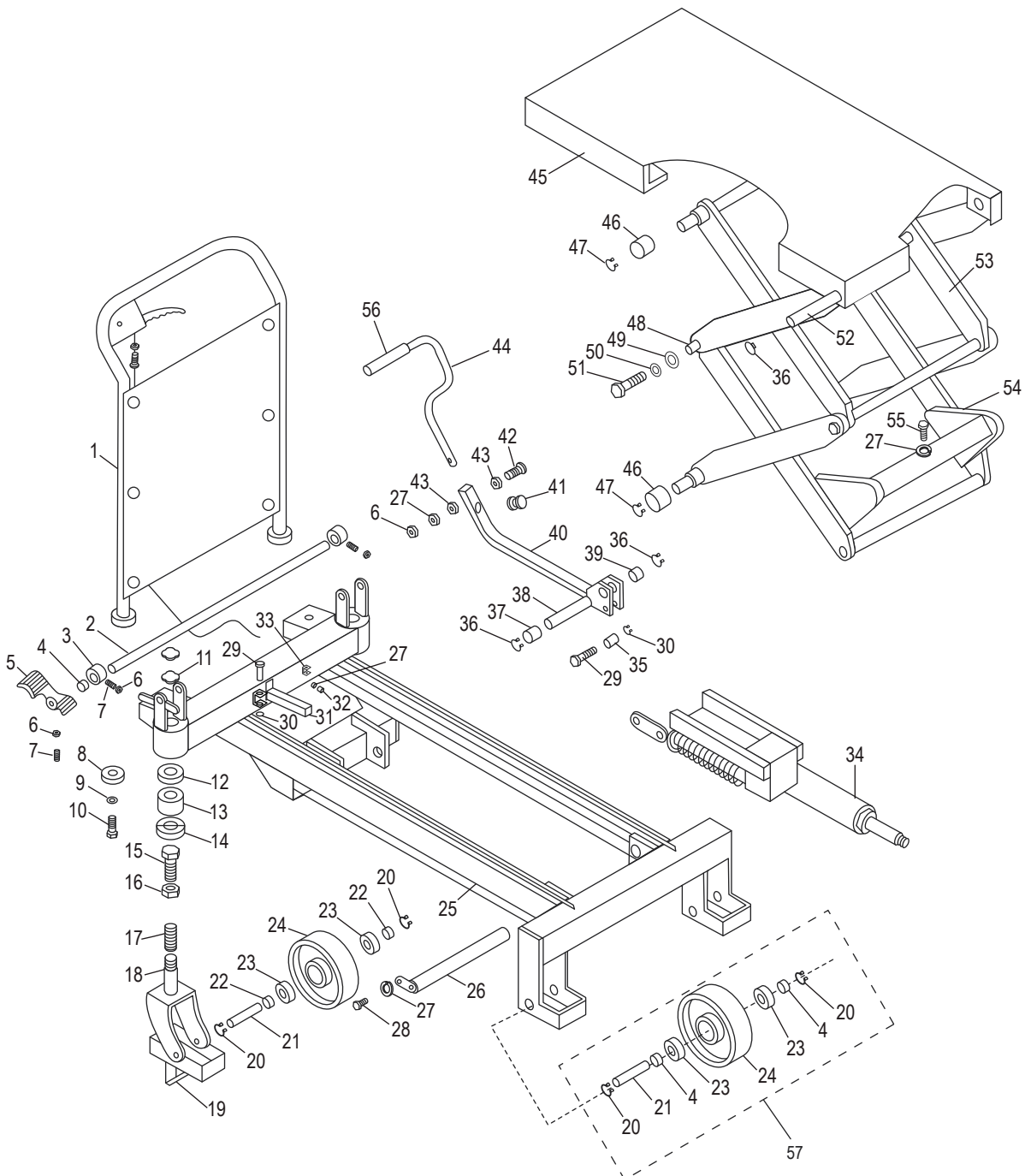
# ULINE H-8152

## TABLE ÉLEVATRICE À DOUBLE CISEAUX

1 800 295-5510  
uline.ca



### ENSEMBLE PRINCIPAL



# ULINE H-8152

## TABLE ÉLÉVATRICE À DOUBLE CISEAUX

1 800 295-5510  
uline.ca

### LISTE DES PIÈCES DE L'ENSEMBLE PRINCIPAL

| #  | DESCRIPTION                      | QTÉ | RÉF. ULINE                  | RÉF. DU FABRICANT |
|----|----------------------------------|-----|-----------------------------|-------------------|
| 1  | Ensemble de la poignée           | 1   | <a href="#">H-8152-HBPA</a> | SPS800-PT#1,9     |
| 2  | Levier de frein                  | 1   | <a href="#">H-8152-2Q</a>   | SPS800-PT#2       |
| 3  | Came de frein                    | 2   | <a href="#">H-8152-3Q</a>   | SPS800-PT#3       |
| 4  | Anneau de retenue (22 x 17 x 10) | 5   | <a href="#">H-8152-4Q</a>   | SPS800-PT#4       |
| 5  | Pédale de frein                  | 1   | <a href="#">H-8152-5Q</a>   | SPS800-PT#5       |
| 6  | Écrou à tête hexagonale M8 x 20  | 4   | <a href="#">H-8152-6Q</a>   | SPS800-PT#6       |
| 7  | Vis de réglage M8                | 3   | <a href="#">H-8152-7Q</a>   | SPS800-PT#7       |
| 8  | Écrou cylindrique                | 2   | -----                       | SPS800-PT#8       |
| 9  | Rondelle à ressort 12            | 2   | -----                       | SPS800-PT#9       |
| 10 | Boulon hexagonal 12 x 30         | 2   | -----                       | SPS800-PT#10      |
| 11 | Écrou cylindrique                | 4   | <a href="#">H-1783-9</a>    | SP700-11          |
| 12 | Roulement 6005                   | 2   | <a href="#">H-8152-12Q</a>  | SPS800-PT#12      |
| 13 | Bague                            | 2   | <a href="#">H-8152-13Q</a>  | SPS800-PT#13      |
| 14 | Roulement 30205                  | 2   | <a href="#">H-8152-14Q</a>  | SPS800-PT#14      |
| 15 | Boulon hexagonal M10 x 35        | 2   | <a href="#">H-8152-15Q</a>  | SPS800-PT#15      |
| 16 | Écrou à tête hexagonale M10      | 2   | <a href="#">H-8152-16Q</a>  | SPS800-PT#16      |
| 17 | Ressort                          | 2   | <a href="#">H-8152-17Q</a>  | SPS800-PT#17      |
| 18 | Support de roue universel        | 2   | -----                       | SPS800-PT#18      |
| 19 | Plaquette de frein               | 2   | -----                       | SPS800-PT#19      |
| 20 | Anneau de retenue pour arbre 17  | 8   | -----                       | SPS800-PT#20      |
| 21 | Cylindre à clous                 | 4   | -----                       | SPS800-PT#21      |
| 22 | Anneau de garniture              | 4   | -----                       | SPS800-PT#22      |
| 23 | Roulement de roue                | 8   | <a href="#">H-1783-25</a>   | SP800-PT#25       |
| 24 | Roue                             | 4   | -----                       | SPS800-PT#24      |
| 25 | Châssis                          | 1   | -----                       | SPS800-PT#25      |
| 26 | Cylindre à clous en forme de L   | 1   | -----                       | SPS800-PT#26      |
| 27 | Rondelle à ressort 8             | 3   | -----                       | SPS800-PT#27      |
| 28 | Boulon hexagonal M8 x 14         | 1   | -----                       | SPS800-PT#28      |
| 29 | Cylindre à clous                 | 2   | <a href="#">H-8152-29Q</a>  | SPS800-PT#29      |
| 30 | Anneau de retenue pour arbre 10  | 2   | -----                       | SPS800-PT#30      |
| 31 | Barre de support de sécurité     | 1   | -----                       | SPS800-PT#31      |
| 32 | Boulon à tête hexagonale M8 x 20 | 1   | -----                       | SPS800-PT#32      |
| 33 | Collier de serrage               | 1   | -----                       | SPS800-PT#33      |
| 34 | Ensemble du chevalet de pompage  | 1   | <a href="#">H-8152-PUMP</a> | SPS800-PT#34      |
| 35 | Bague                            | 1   | <a href="#">H-8152-35Q</a>  | SPS800-PT#35      |
| 36 | Anneau de retenue pour arbre 20  | 4   | -----                       | SPS800-PT#36      |
| 37 | Bague de retenue                 | 1   | -----                       | SPS800-PT#37      |
| 38 | Cylindre à clous                 | 1   | -----                       | SPS800-PT#38      |
| 39 | Bague de retenue                 | 1   | -----                       | SPS800-PT#39      |

# ULINE H-8152

## TABLE ÉLÉVATRICE À DOUBLE CISEAUX

1 800 295-5510  
uline.ca

### LISTE DES PIÈCES DE L'ENSEMBLE PRINCIPAL SUITE

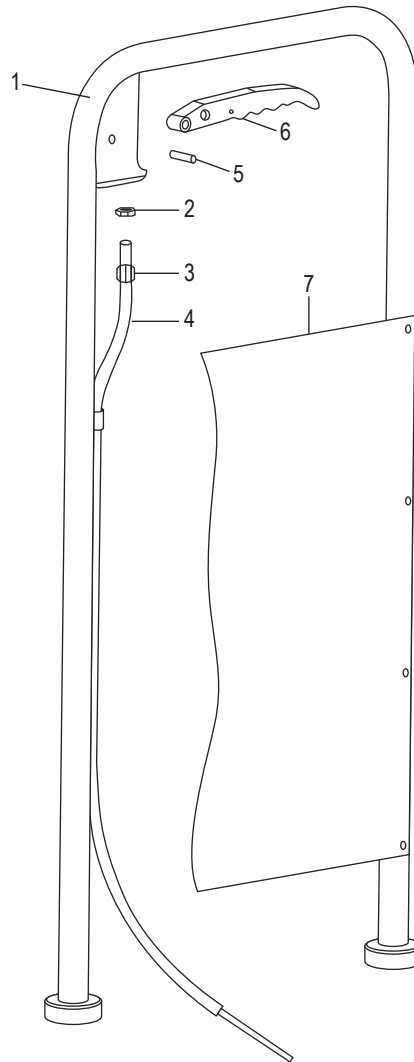
| #  | DESCRIPTION   | QTÉ | RÉF. ULINE                   | RÉF. DU FABRICANT       |
|----|---|-----|------------------------------|-------------------------|
| 40 | Barre de pédale carrée  | 1   | <a href="#">H-8152-PDLRD</a> | SPS800-PT#40            |
| 41 | Coussinet   | 1   | -----                        | SPS800-PT#41            |
| 42 | Boulon hexagonal M8 x 35  | 1   | -----                        | SPS800-PT#42            |
| 43 | Rondelle plate 8  | 2   | -----                        | SPS800-PT#43            |
| 44 | Barre de pédale   | 1   | <a href="#">H-1486-4759</a>  | SP300-PT#23             |
| 45 | Plateau de table  | 1   | -----                        | SPS800-PT#45            |
| 46 | Rouleau, inférieur  | 4   | -----                        | SPS800-PT#46            |
| 47 | Anneau de retenue pour arbre 22   | 4   | -----                        | SPS800-PT#47            |
| 48 | Arbre de connexion  | 2   | -----                        | SPS800-PT#48            |
| 49 | Rondelle plate 24   | 4   | -----                        | SPS800-PT#49            |
| 50 | Rondelle plate 12   | 4   | -----                        | SPS800-PT#50            |
| 51 | Boulon hexagonal M12 x 30   | 4   | -----                        | SPS800-PT#51            |
| 52 | Cylindre à clous  | 1   | -----                        | SPS800-PT#52            |
| 53 | Bras de fourche, supérieur  | 1   | -----                        | SPS800-PT#53            |
| 54 | Bras de fourche, inférieur  | 1   | -----                        | SPS800-PT#54            |
| 55 | Vis d'assemblage à six pans creux M8 x 12   | 1   | -----                        | SPS800-PT#55            |
| 56 | Manchon de tige de pédale   | 1   | -----                        | SPS800-PT#56            |
| 57 | <b>Matériel d'assemblage de la roue rigide</b><br>Comprend : <ul style="list-style-type: none"> <li>• Anneau de retenue (22 x 17 x 10) #4 (2)</li> <li>• Anneau de retenue pour arbre 17 #20 (1)</li> <li>• Cylindre à clous #21 (2)</li> <li>• Roulement 6203-2RS #23 (2)</li> <li>• Roue #24 (1)</li> </ul>   | 1   | -----                        | SPS800-PT#4,20-21,23-24 |
|    | Roue pivotante – Ensemble au complet (non illustré)   | 1   | <a href="#">H-8152-SWC</a>   | SPS800#18-24            |
|    | <b>Ensemble de joint d'étanchéité (non illustré)</b><br>Comprend : <ul style="list-style-type: none"> <li>• Joint torique 22,4 mm x 2,65 mm</li> <li>• Bague d'étanchéité</li> <li>• Anneau antipoussière</li> <li>• Rondelle</li> <li>• Joint torique 10,6 mm x 8 mm</li> <li>• Joint torique 7,5 mm x 2,65 mm</li> <li>• Joint torique 6,9 mm x 1,8 mm</li> <li>• Joint torique 77,5 mm x 3,55 mm</li> <li>• Joint rectangulaire</li> <li>• Joint torique 41,5 mm x 4,6 mm</li> <li>• Tasse</li> <li>• Joint torique 20 mm x 2,65 mm</li> <li>• Joint torique 31,5 mm x 3,55 mm</li> <li>• Étanchéité du cadre</li> </ul> | 1   | <a href="#">H-8152-SEAL</a>  | SPS800-SEAL             |

# ULINE H-8152

## TABLE ÉLÉVATRICE À DOUBLE CISEAUX

1 800 295-5510  
uline.ca

### ENSEMBLE DE LA POIGNÉE



### Liste des pièces de l'ensemble de la poignée

| # | DESCRIPTION   | QTÉ | RÉF. ULINE                   | RÉF. DU FABRICANT    |
|---|---|-----|------------------------------|----------------------|
| 1 | Ensemble de la barre d'appui  | 1   | -----                        | SPS800-HANDLE-PT#1   |
| 2 | Écrou à tête hexagonale M8  | 1   | -----                        | SPS800-HANDLE-PT#2   |
| 3 | Vis de réglage  | 1   | -----                        | SPS800-HANDLE-PT#3   |
| 4 | Tige de traction  | 1   | <a href="#">H-1783-PLROD</a> | SPS800-PT#1          |
| 5 | Axe lisse 6 x 30  | 1   | -----                        | SPS800-HANDLE-PT#5   |
| 6 | Tige d'abaissement  | 1   | <a href="#">H-1486-65</a>    | SPS800-HANDLE-PT#6   |
| 7 | Plaque  | 1   | -----                        | SPS800-HANDLE-PT#7   |
|   | Ensemble de la tige d'abaissement pour la poignée SPS800 (non illustré) | 1   | -----                        | SPS800-HANDLE PT#2-6 |