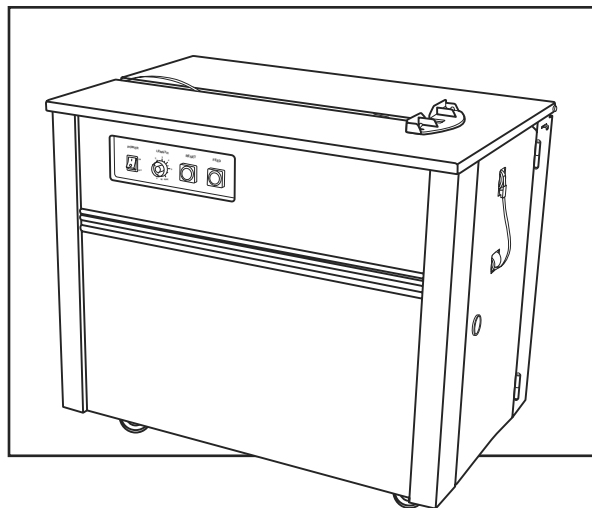
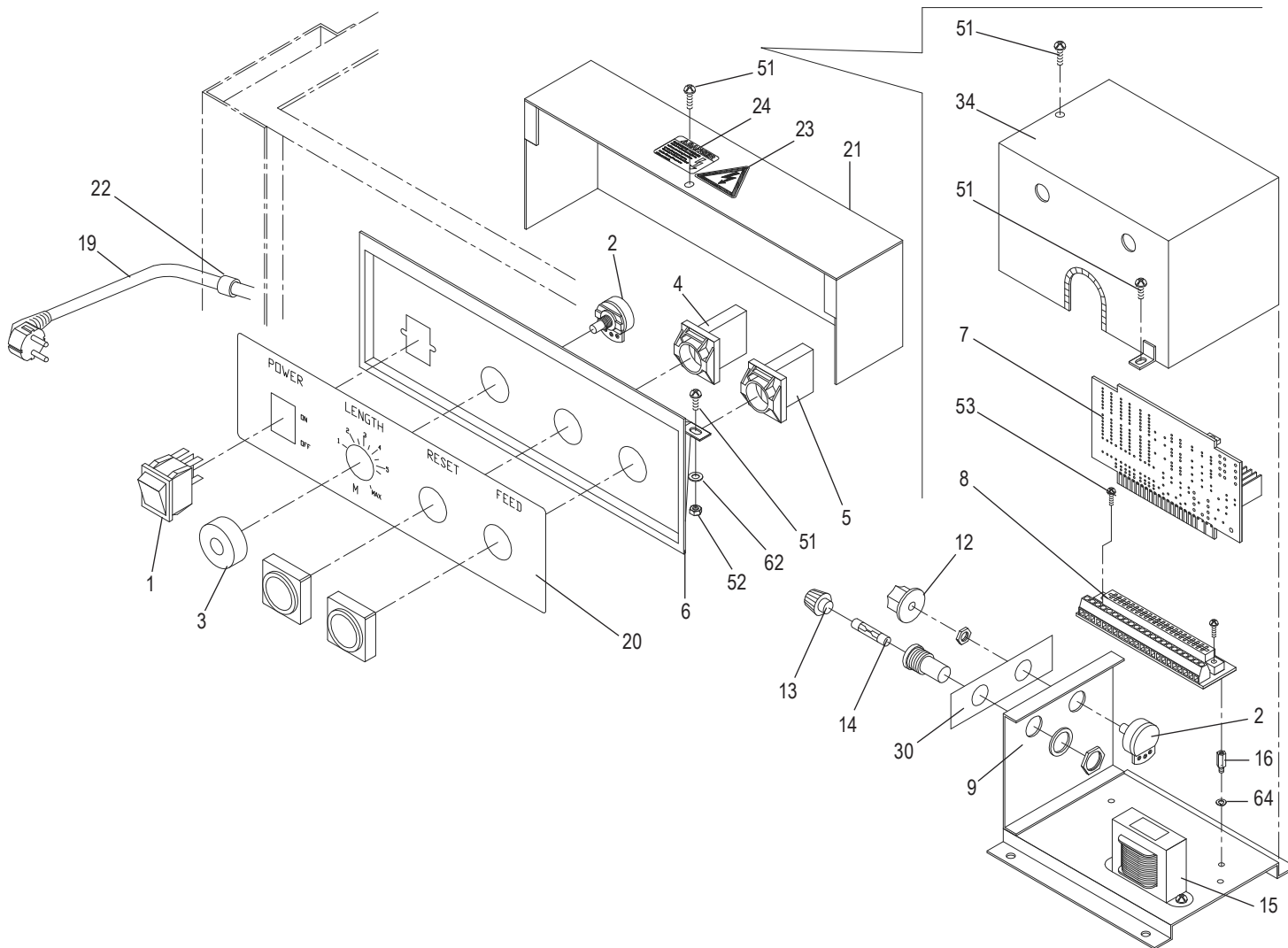


ULINE H-959 POLY STRAPPING MACHINE

1-800-295-5510
uline.com



CONTROL PANEL DIAGRAM AND PC BOARD HOUSING



ULINE H-959
**POLY STRAPPING
MACHINE**

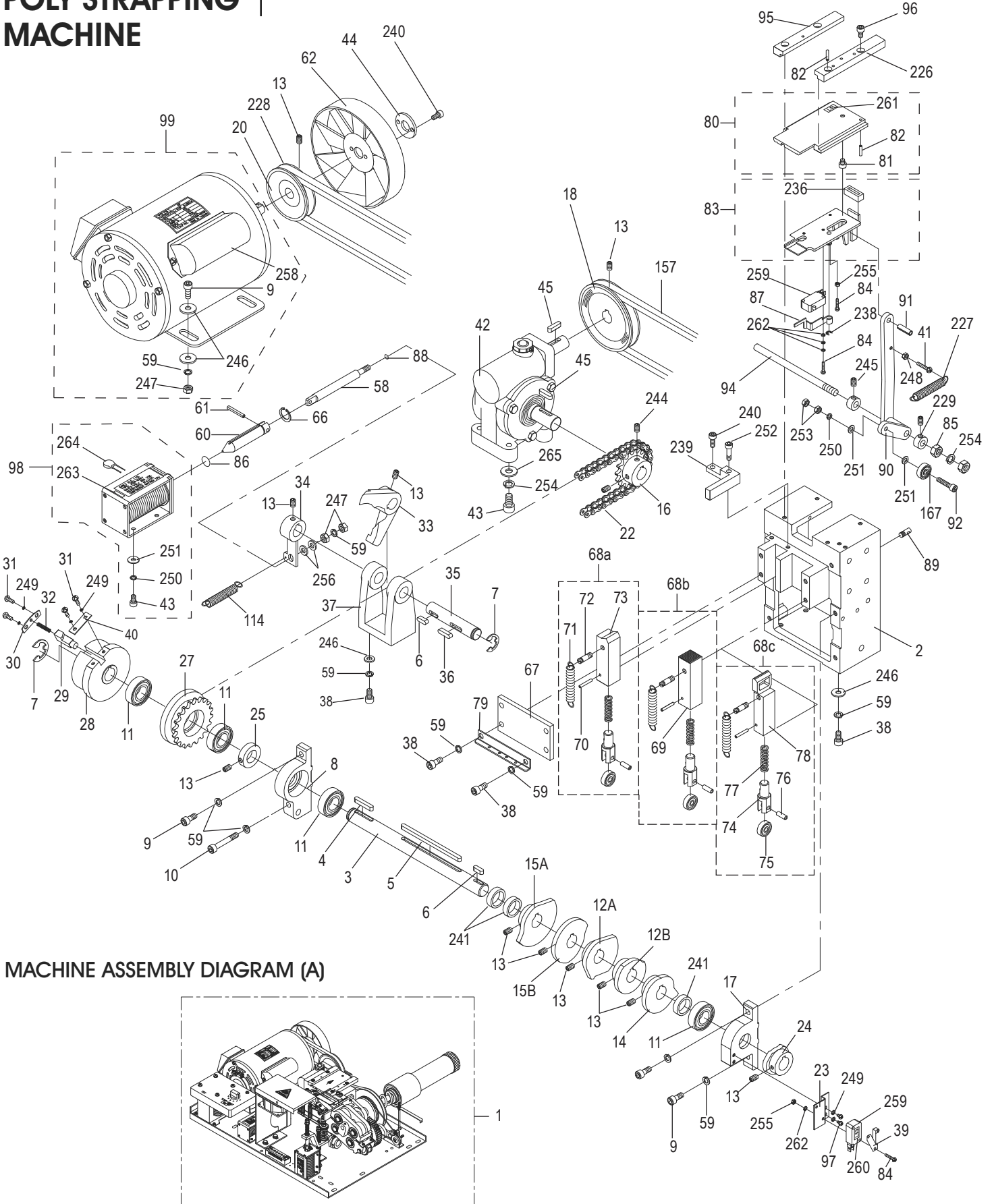
1-800-295-5510
uline.com

CONTROL PANEL PARTS LIST

#	DESCRIPTION	QTY.	ULINE PART NO.	MFG. PART NO.
1	Power Switch	1	H-959-TG001	TG-001
2	Variable Resistor For Length	2	H-959-TG002	TG-002
3	Length Knob	1	H-959-TG003	TG-003
4	Push Button Switch (R)- Reset	1	H-959-SWITCH	TG-004
5	Push Button Switch (L)- Feed	1	H-959-TG005	TG-005
6	Control Panel	1	-----	TG-006
7	PC Board	1	H-959-TG007	TG-007
8	PC Board Receptacle	1	H-959-TG008	TG-008
9	Base For CB Housing	1	-----	TG-017
12	Knob For Motor Timer	1	H-959-KNOBQ	TG-012
13	Fuse Holder	1	H-959-TG013	TG-013
14	Fuse (10A/110V AC)	1	H-959TG014	T6-6-30133
15	Transformer (110V)	1	H-959-TG015	TG-015
16	Bolt	1	-----	TG-016
19	Power Cord	1	H-959-POWER	TG-019
20	Control Label	1	-----	LA-10018
21	Switch Cover	1	H-959-TG021	TG-021
22	Grommet	1	H-959-TG022	TG-022
23	Label	1	-----	LA-40001
24	Label	1	-----	LA-40003
30	Name Plate	1	-----	LA-20170
34	Cover	1	-----	TG-035
51	Machine Screw (M4 x 8)	6	H-959-MSCREW	TMS0408
52	Hex Nut (M4)	3	H-959-HN04	HN04
53	Machine Screw (M3 x 12)	2	H-959-M3X12	TMS0312
62	Plate Washer (M4)	2	H-959-PW04	PW04
63	Machine Screw (M4 x 8)	2	H-959-MSCREW	TMS0408
64	Lock Washer 03	2	-----	SW03

ULINE H-959 POLY STRAPPING MACHINE

1-800-295-5510
uline.com



MACHINE ASSEMBLY DIAGRAM (A)

ULINE H-959
**POLY STRAPPING
MACHINE**

1-800-295-5510
uline.com

MACHINE ASSEMBLY (A) PARTS LIST

#	DESCRIPTION	QTY.	ULINE PART NO.	MFG. PART NO.
1	Control Head Unit	1	-----	TA-901
2	Main Body Block	1	H-959BLOCKQ	T5-1-10110
3	Cam Shaft	1	-----	TA-003
4	Key (5 x 5 x 30)	1	-----	KYA050530
5	Key (5 x 5 x 101)	1	-----	KYA0505101
6	Key (5 x 5 x 15)	2	H-959-KYA05	KYA050515
7	Snap Ring (E-12)	2	H-959-TB172	ER12
8	Bearing Support (R)	1	-----	TA-008-2
9	Hex Bolt (M6 x 20)	6	H-959-HBM6	HBS0620
10	Hex Bolt (M6 x 45)	1	-----	HBS0645H
11	Bearing, 6003ZZ	4	H-959-6003ZZ	BR6003ZZ
12A	Grip Cam	1	H-959-TA12AQ	TA-012A
12B	Grip Cam	1	H-959-TA12BQ	TA-012B
13	Hex Set Screw (M6 x 8)	13	H-959-HSS060	HSS0608G
14	Cam Separator	1	H-959-TA014	TA-014
15A	Rear Bar Cam	1	H-959-TA15AQ	TA-015A
15B	Heater Cam	1	H-959-TA15BQ	TA-015B
16	Sprocket	1	H-959-TA016	TA-016
17	Bearing Support (R)	1	-----	TA-017-2
18	Pulley	1	H-959-TA018	TA-018
20	Pulley	1	H-959-TA020	TA-020
22	Chain	1	H-959-TA022	TA-022
23	Micro Switch Bracket	1	H-959-TF002	TF-002
24	Back Cam	1	H-959-TA024	TA-024
25	Collar	1	-----	TA-025
27	Sprocket	1	H-959-TA027	TA-027
28	Housing	1	H-959-TA028	TA-028
29	Pin	1	H-959-TA029	TA-029
30	Holder	1	-----	TA-030
31	Machine Screw (M4 x 8)	6	H-959PMS0408	PMS0408
32	Spring	1	H-959-32	TA-032
33	Stop Cam	1	H-959-33	TA-033
34	Clutch Alarm	1	H-959-TA034	TA-034
35	Shaft	1	-----	TA-035
36	Key (5 x 5 x 20)	1	H-959-TB138	KYA050520
37	Clutch Support	1	-----	TA-037
38	Hex Bolt (M6 x 16)	14	-----	HBS0616
39	Switch Trigger	1	H-959-TF009	TF-009
40	Guide	1	-----	TA-040
41	Machine Screw (M4 x 20)	1	H-959-M4X20	PMS0420
42	Gear Box	1	H-959-TA042	TA-042

ULINE H-959
**POLY STRAPPING
MACHINE**

1-800-295-5510
uline.com

MACHINE ASSEMBLY (A) PARTS LIST CONTINUED

#	DESCRIPTION	QTY.	ULINE PART NO.	MFG. PART NO.
43	Hex Bolt (M8 x 20)	4	-----	HBS0820
44	Washer	1	H-959-TF022	TF-022
45	Key (5 x 5 x 25)	2	-----	KYA050525
58	Pull Shaft	1	H-959-TA058	TA-058
59	Lock Washer (M6)	19	H-959-SW06	SW06
60	Solenoid Shaft	1	H-959-TA060	TA-060
61	Spring Pin (4 x 14)	1	H-959-SP0414	SP0414
62	Fan	1	H-959-TF028	TF-028
66	Snap Ring (S-12)	1	H-959-TB172	ER12
67	Bar Guide Lid	1	H-959-TA067	TA-067
68A	Rear Bar Assembly Includes: <ul style="list-style-type: none"> • Spring Pin #70 (3 x 18) • Return Spring Pin #71 • Spring Hook #72 • Rear Bar #73 (Not Sold Separately, Part of Assembly) • Plunger #74 • Bearing #75 • Spring Pin #76 (5 x 14) • Spring #77 	1	H-959-13000	T513000
68B	Press Bar Assembly Includes: <ul style="list-style-type: none"> • Press Bar #69 (Not Sold Separately, Part of Assembly) • Spring Pin (3 x 18) #70 • Return Spring Pin #71 • Spring Hook #72 • Plunger #74 • Bearing #75 • Spring Pin #76 (5 x 14) • Spring #77 	1	H-959-14000	T514000
68C	Front Bar Assembly Includes: <ul style="list-style-type: none"> • Spring Pin (3 x 18) #70 • Return Spring Pin #71 • Spring Hook #72 • Plunger #74 • Bearing #75 • Spring Pin (5 x 14) #76 • Spring #77 • Front Bar #78 (Not Sold Separately, Part of Assembly) 	1	H-959-15000	T515000
69	Press Bar (Not Sold Separately, Part of Assembly)	1	-----	-----
70	Spring Pin (3 x 18)	3	-----	-----
71	Return Spring Pin	3	H-959-TA071	TA-071
72	Spring Hook	3	-----	-----
73	Rear Bar (Not Sold Separately, Part of Assembly)	1	-----	-----
74	Plunger	3	-----	-----
75	Bearing	4	-----	-----
76	Spring Pin (5 x 14)	3	-----	-----
77	Spring	3	-----	-----

ULINE H-959
**POLY STRAPPING
MACHINE**

1-800-295-5510
uline.com

MACHINE ASSEMBLY (A) PARTS LIST CONTINUED

#	DESCRIPTION	QTY.	ULINE PART NO.	MFG. PART NO.
78	Front Bar (Not Sold Separately, Part of Assembly)	1	-----	-----
79	Spring Hook Holder	1	H-959TA072Q	TA-072
80	LS1 Slide Plate Assembly Includes: • Hex Bolt – M5 x 5.2 mm #81 • Spring Pin – 3 x 14 mm #82 • Name Plate – (LS-1) #261	1	H-959-SLIDE	TA-080A
81	Hex Bolt – M5 x 5.2 mm	1	H-959-TA081	HBS0505.2
82	Spring Pin – 3 x 14 mm	3	H-959-SP0314	SP0314
83	Separator Assembly Includes: • Rubber Buffer Assembly #236	3	H-959-TA083	TA-083A
84	Machine Screw – M3 x 15 mm	5	H-959-0315	PMS0315
85	Hex Nut – M8	2	H-959-HN08	HN08
86	Seal – Large	1	H-959-TA086	TA-086
87	Switch Lever	1	H-959-TA087	TA-087
88	Seal – Small	1	H-959-88Q	TA-088
89	Spring Hook	1	H-959-TA089	TA-089
90	Arm	1	H-959-TA090	TA-090
91	Spring Pin – 6 x 20 mm	1	H-959-SP0620	SP0620
92	Hex Bolt – M5 x 25 mm	1	H-959-HB0525	HBS0525
94	Shaft	1	H-959-TA094	TA-094
95	Guide – Left	1	H-32-TA095	TA-095
96	Hex Bolt – M5 x 12 mm	4	H-959HBS0512	HBS0512
97	Machine Screw – M4 x 8 mm	2	H-959PMS0408	PMS0408
98	Solenoid (110V) Assembly	1	H-959-TF003A	TF-003A
99	Motor Assembly (110V) Includes: • Hex Bolt – M6 x 20 mm #9 • Lock Washer – M6 #59 • Plate Washer – M6 #246 (Pkg. of 50) • Hex Nut – M6 #247 • Starter Capacitor – #258 (1)	1	H-959-TF001	TF-001
114	Spring	1	H-32-TA114	TA-114
157	V-Belt (K-21) 2434	1	H-959-TB157	TB-157
226	Guide (Right)	1	H-32-TA226	TA-226
227	Return Spring	1	H-959-TB114	TB-114
228	V-Belt (M-21) 2244	2	H-959-TA228	TA-228
229	Collar	1	H-959-TA229	TA-229
236	Rubber Buffer Assembly	1	H-959-TA236	TA-236
238	Snap Ring – E-3	1	H-959-TA238	TA-238
239	Cutter Holder	1	H-959-TA239	TA-239
240	Hex Bolt – M5 x 16 mm	4	H-959-M5X16	HBS0516
241	Spacer	3	-----	TA-241
244	Hex Set Screw – M5 x 6 mm	2	H-959HBS0506	HBS0506

ULINE H-959
**POLY STRAPPING
 MACHINE**

1-800-295-5510
 uline.com

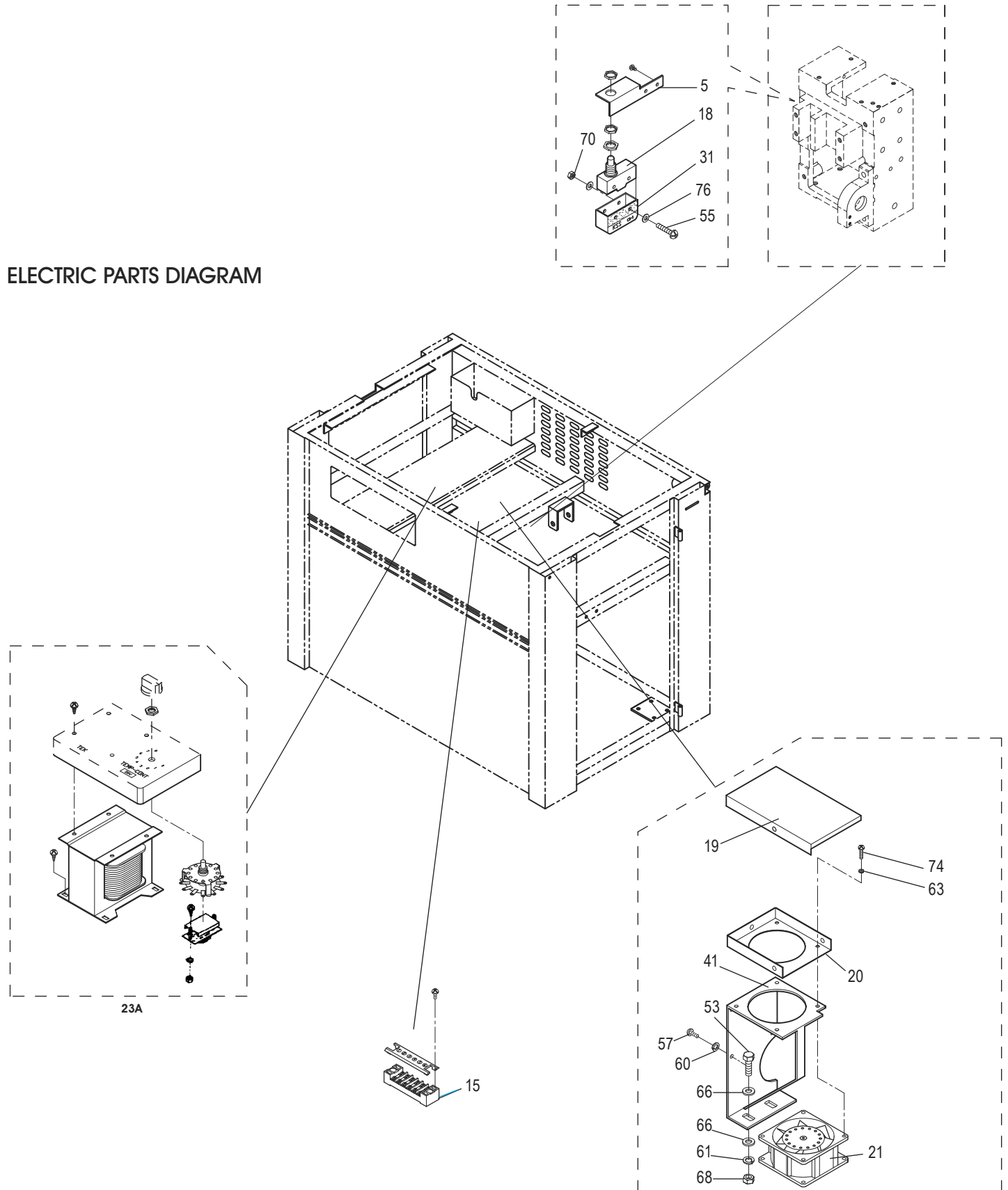
MACHINE ASSEMBLY (A) PARTS LIST CONTINUED

#	DESCRIPTION	QTY.	ULINE PART NO.	MFG. PART NO.
245	Hex Set Screw (M6 x 6)	2	H-959-M6X6	HSS0606G
246	Plate Washer (M6; Pkg. of 50)	18	H-959-PW06	PW06C
247	Hex Nut (M6)	6	H-959-HN06	HN06
248	Hex Nut (M4)	1	H-959-HN04	HN04
249	Lock Washer (M4)	4	H-959-SW04	SW04
250	Lock Washer (M5)	5	H-959-SW05	SW05
251	Plate Washer (M5)	2	H-959-PW05	PW05
252	Hex Bolt (M5 x 25)	1	H-959-HB0525	HBS0525H
253	Hex Nut (M5)	2	H-959-HN05	HN05
254	Lock Washer (M8)	5	H-959-SW08	SW08
255	Hex Nut (M3)	1	-----	HN03
256	Plate Washer (M6)	2	H-959-PW06A	PW06A
258	Starter Capacitor	1	H-959-TF046	TF-046
259	Micro Switch (LS-1, LS-3)	2	H-959-TF006	TF-006
260	Name Plate (LS-3)	1	-----	LA-50082
261	Name Plate (LS-1)	1	H-959LA50080	LA-50080
262	Lock Washer (M3)	3	-----	SW03
263	Name Plate (SOL-2)	1	H-959SOL2Q	LA-50084
264	Varistor	1	H-959-TF071	TF-071
265	Plate Washer (M8)	4	-----	PW08C

ULINE H-959 POLY STRAPPING MACHINE

1-800-295-5510
uline.com

ELECTRIC PARTS DIAGRAM



ULINE H-959
**POLY STRAPPING
MACHINE**

1-800-295-5510
uline.com

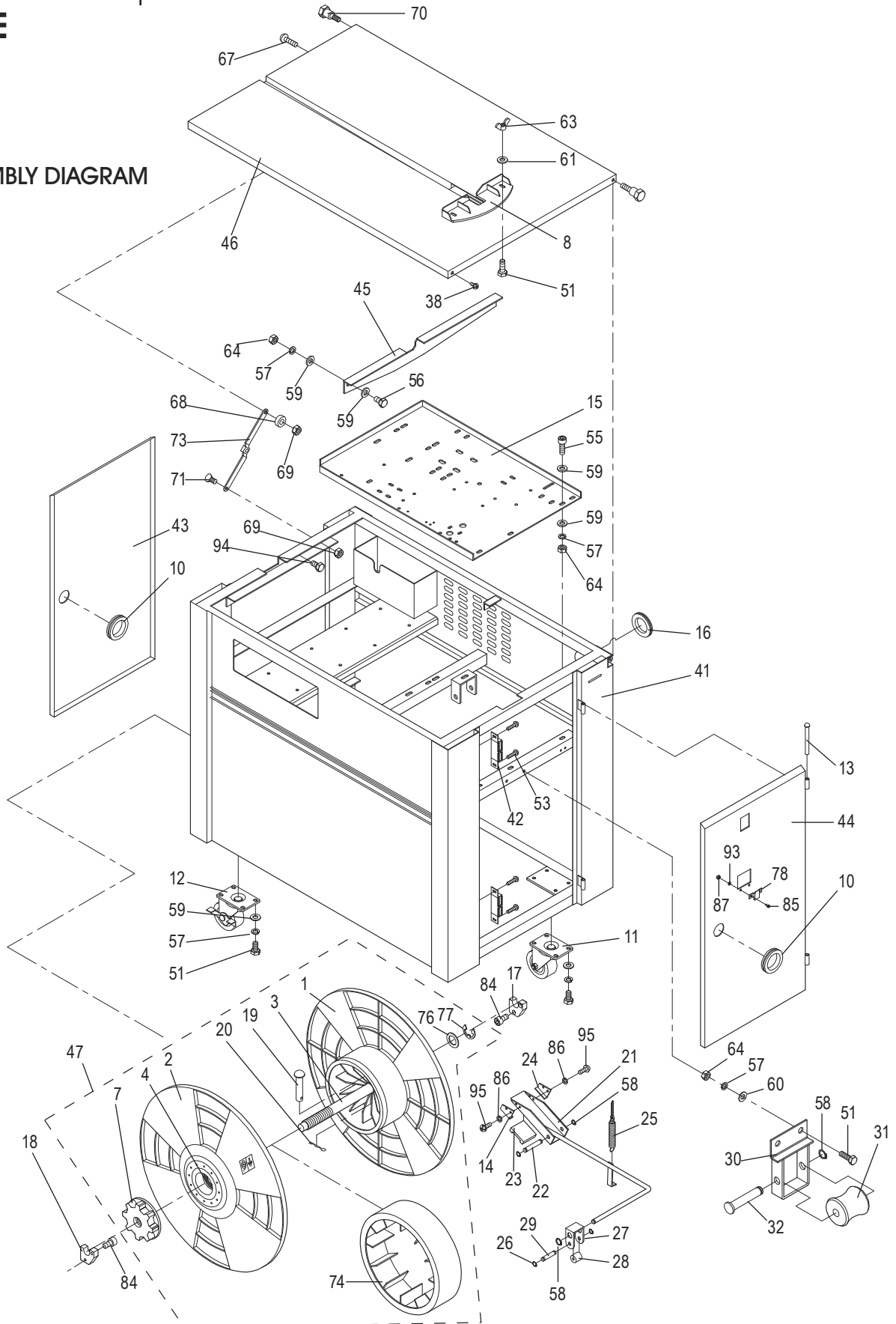
ELECTRIC PARTS LIST

#	DESCRIPTION	QTY.	ULINE PART NO.	MFG PART NO.
5	Safety Switch Plate	1	-----	TF-005
15	Terminal Bracket	1	H-959-15Q	TF-015
18	Safety Limit Switch	1	H-959-TF018	TF-018
19	Adiabatic Plate	1	H-959-TF019	TF-019
20	Fan Cover	1	H-959-FC	TF-020
21	Fan (110V)	1	H-959-TF021	TF-021
23A	Heater Transformer Assy (110V)	1	H-959-TF023A	TF-023A
31	Switch Cover	1	H-959-TF031	TF-031
41	Fan Support	1	-----	TJ-022
53	Hex Bolt (M6 x 20)	2	H-959-HBM6	HBS0620
55	Machine Screw (M4 x 25)	2	H-959-S0425	PMS0425
57	Machine Screw (M4 x 10)	8	H-959-TB196	PMS0410
60	Lock Washer (M4)	8	H-959-SW04	SW04
61	Lock Washer (M6)	2	H-959-SW06	SW06
63	Lockwasher (M5)	6	H-959-SW05	SW05
66	Plate Washer (M6; Pkg. of 50)	4	H-959-PW06	PW06C
68	Hex Nut (M6)	2	H-959-HN06	HN06
70	Hex Nut (M4)	2	H-959-TF071	HN04
74	Machine Screw (M5 x 8)	2	-----	TMS0508
76	Plate Washer (M4)	4	H-959-PW04	PW04

ULINE H-959 POLY STRAPPING MACHINE

1-800-295-5510
uline.com

FRAME ASSEMBLY DIAGRAM



ULINE H-959
**POLY STRAPPING
MACHINE**

1-800-295-5510
uline.com

FRAME ASSEMBLY PARTS LIST

#	DESCRIPTION	QTY.	ULINE PART NO	MFG. PART NO.
1	Inner Flange	1	H-959-TE001	TE-001
2	Outer Flange	1	H-959-TC014	TC-014
3	Shaft	1	H-959-TE003	TE-003
4	Protector	1	H-959-TC015	TC-015
7	Reel Nut Handle	1	H-959-TC016	TC-016
8	Package Guide	1	H-959-TC004	TC-004
10	Grommet	2	H-959-TE010	TE-010
11	Caster	2	H-959-TE011	TE-011
12	Caster W/ Brake	2	H-959-TE012	TE-012
13	Lock Pin	4	H-959-LPIN	TE-013
14	Brake Holder (Right)	1	H-959-TE014	TE-014
15	Bracket	1	-----	TC-002
16	Grommet	1	H-959TC-008	TC-008
17	Bush (Left)	1	H-959-TE017	TE-017
18	Bush (Right)	1	H-959-TE018	TE-018
19	Pin	1	H-959-TC020	TC-020
20	Split Pin	1	H-959-TC021	TC-021
21	Brake Set	1	H-959-TE021	TE-021
22	Pin	1	-----	TE-022
23	Rubber Brake Pad	1	H-959-TE023	TE-023
24	Brake Holder (Left)	1	H-959-TE024	TE-024
25	Spring	1	H-959-TE025	TE-025
26	Snap Ring	2	H-959-SNAP	ER04
27	Roller Holder	1	H-959-TE027	TE-027
28	Roller	1	H-959-TE028	TE-028
29	Pin	1	H-959-TE029	TE-029
30	Band Guide Bracket	1	H-959-TE030	TE-030
31	Roller	1	H-959-TC049	TC-049
32	Shaft	1	H-959-TC048	TC-048
41	Frame	1	-----	TE-041
42	Magnet Catch	4	H-959-TE042	TE-042
43	Left Side Door	1	H-959-LDOOR	TE-043
44	Right Side Door	1	H-959-RDOOR	TE-044
45	Support	1	-----	TE-045
46	Top Plate	1	H-959-TC043	TC-043
47	Reel Assembly	1	H-959-TE001A	TE-001A
51	Hex Bolt (M6 x 12)	12	H-959-HB0612	HB0612
53	Machine Screw (M3 x 5)	8	H-959-0305Q	TMS0305

ULINE H-959
**POLY STRAPPING
MACHINE**

1-800-295-5510
uline.com

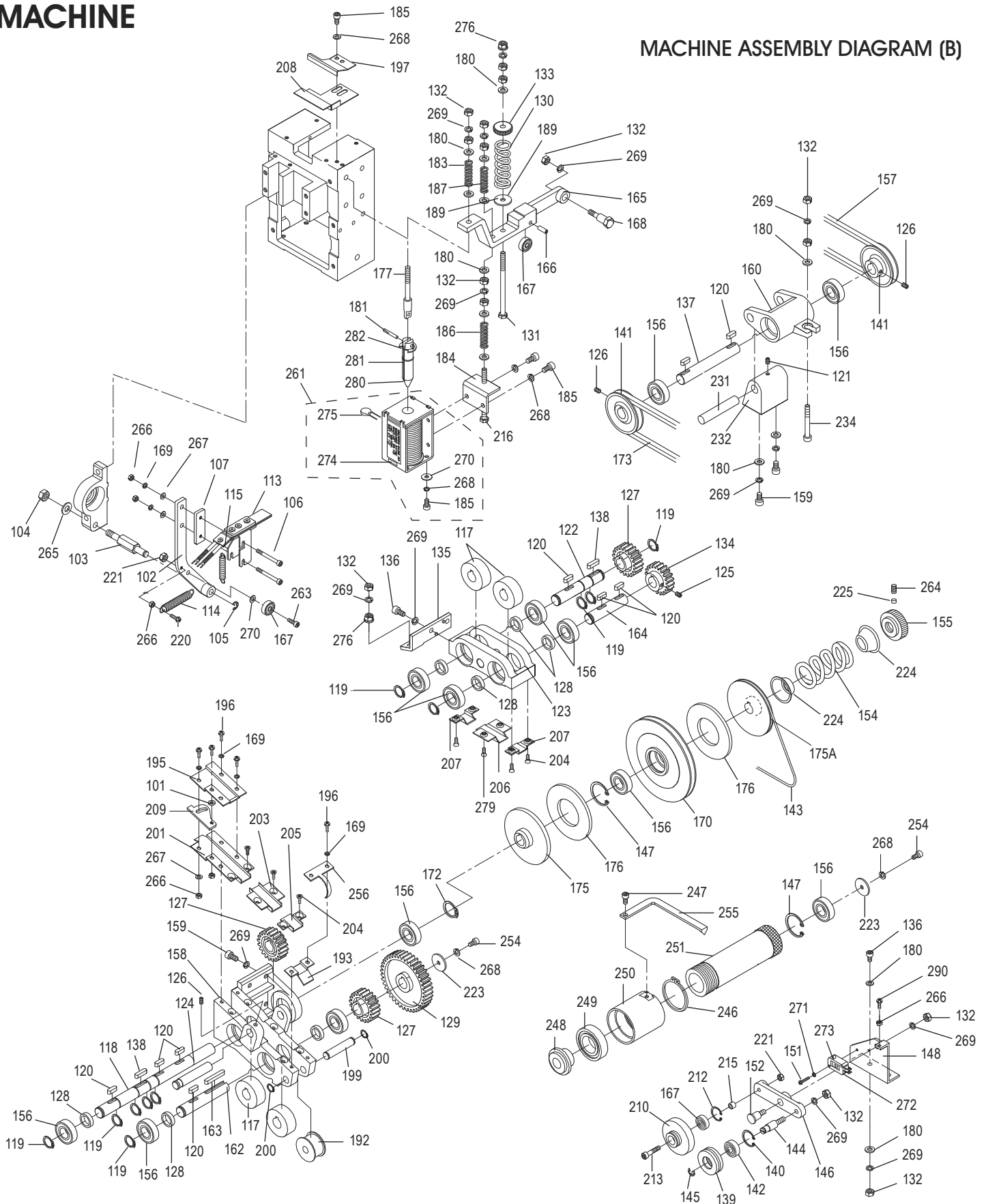
FRAME ASSEMBLY PARTS LIST

#	DESCRIPTION	QTY.	ULINE PART NO	MFG. PART NO.
55	Hex Bolt Machine Screw – M6 x 20 mm	14	H-959-HBM6	HBS0620
56	Hex Bolt Machine Screw – M6 x 20 mm	2	H-959-HBM6	HBO620
57	Lock Washer – M6	20	H-959-SW06	SW06
58	Snap Ring S-10	5	H-959-SR10	SR10
59	Plate Washer C (M6; Pkg. of 50)	50	H-959-PW06	PW06C
60	Plate Washer A	2	H-959-PW06A	PW06A
61	Plate Washer B	2	H-959-PW06BQ	PW06B
63	Wing Nut – M6	2	H-959-WN06A	WN06
64	Hex Nut – M6	8	H-959-HN06	HN06
65	Safety Switch Plate	2	-----	TE-065
67	Machine Screw – M6 x 12 mm	1	H-959-0612Q	TMS0612
68	Collar	1	H-959-TC068	TC-068
69	Lock Nut – M6	2	H-959-NTE06Q	NTE06
70	Shaft	2	H-959-TC070	TC-070
71	Machine Screw – M6 x 12 mm	1	H-959-FMS612	FMS0612
73	Hinge	1	H-959-HINGE	T5-2-10170
74	Center Drum – 230 mm	1	H-959-TC074	TC-074
75	Center Drum – 280 mm (Option Not Shown)	1	H-959-TC075	TC-075
76	Washer	1	H-959-TC076	TC-076
77	Snap Ring – E-19	1	H-959-ER19	ER19
78	Guide	1	H-959-TB205	TB-205
84	Hex Bolt – M6 x 12 mm	4	H-959-HB0612	HBO612
85	Machine Screw – M4 x 8 mm	2	H-959-MSCREW	TMS0408
86	Lock Washer – M4	2	H-959-SW04	SW04
87	Hex Nut – M4	6	H-959-HN04	HN04
92	Machine Screw – M4 x 25 mm	4	H-959-S0425	PMS0425
93	Plate Washer – M4	6	H-959-PW04	PW04
94	Hex Bolt – M6 x 10 mm	1	H-959HB06100	HBO610
95	Machine Screw – M4 x 8 mm	2	H-959PMS0408	PMS0408

ULINE H-959 POLY STRAPPING MACHINE

1-800-295-5510
uline.com

MACHINE ASSEMBLY DIAGRAM (B)



ULINE H-959
POLY STRAPPING
MACHINE

1-800-295-5510
 uline.com

MACHINE ASSEMBLY (B) PARTS LIST

#	DESCRIPTION	QTY.	ULINE PART NO.	MFG. PART NO.
101	Plate Washer – M4	2	H-959-PW04	PW04
102	Heater Arm	1	H-959-TB102	TB-102
103	Pin	1	H-959-TB103	TB-103
104	Hex Nut – M8	1	H-959-HN08	HN08
105	Snap Ring – E-6	1	H-959-ER06	ER06
106	Hex Bolt – M4 x 40 mm	2	H-959-M4X40	HBS0440H
107	Side Plate	1	H-959-TB107	TB-107
113	Heater Assembly	1	H-959-TB113	TB-113
114	Return Spring	1	H-959-TB114	TB-114
115	Spring	1	H-959-TB115	TB-115
117	Roller	4	H-959-TB117	TB-117
118	Shaft For Outside Tension Adjustment	1	H-959-TB118A	TB-118A
119	Stop Ring – S-15	9	H-959-SR15	SR-15
120	Key – 5 x 5 x 15 mm	9	H-959-KYA05	KYA050515
121	Hex Set Screw – M5 x 6 mm	2	H-959HBS0506	HSS0506G
122	Shaft	1	-----	TB-122
123	Holder	1	-----	TB-123
124	Pin	1	-----	TB-124
125	Hex Set Screw – M6 x 6 mm	1	H-959-M6X6	HSS0606G
126	Hex Set Screw – M5 x 8 mm	3	H-959-M5X8	HSS0508G
127	Gear	3	H-959-TB127	TB-127
128	Collar	7	H-959-TB128	TB-128
129	Feed Gear	1	-----	TB-129
130	Spring	1	H-959-TB130	TB-130
131	Hex Bolt – M6 x 100 mm	1	H-959HB06100	HB06100
132	Hex Nut – M6	16	H-959-HN06	HN06
133	Nut	1	H-959-TB133	TB-133
134	Gear	1	H-959-TB134	TB-134
135	Holder Arm	1	-----	TB-135
136	Hex Bolt – M6 x 16 mm	4	-----	-----
137	Shaft	1	H-959-TB137	TB-137
138	Key – 5 x 5 x 20 mm	2	H-959-TB138	KYA050520
139	Pulley	1	H-959-TB139	TB-139
140	Stop Ring – S-22	1	-----	RR22
141	Pulley	1	H-959-TB141	TB-141
142	Bearing, 608ZZ	1	H-959-608ZZ	BR608ZZ
143	Round Belt	1	H-959-TB143	TB-143

ULINE H-959
POLY STRAPPING
MACHINE

1-800-295-5510
 uline.com

MACHINE ASSEMBLY (B) PARTS LIST CONTINUED

#	DESCRIPTION	QTY.	ULINE PART NO.	MFG. PART NO.
144	Shaft	1	-----	TB-144
145	Snap Ring – E-7	1	H-959-ER07S	ER07S
146	Arm	1	-----	TB-146
147	Snap Ring – H-32	2	H-959-RR32	RR32
148	Bracket	1	H-959-TB148	TB-148
151	Machine Screw – M3 x 15 mm	2	H-959-Q315	PMS0315
152	Shaft	1	H-959-TB152	TB-152
154	Spring	1	H-959-TB154	TB-154
155	Nut	1	-----	TB-155
156	Bearing, 6002ZZ	12	H-959-6002ZZ	BR6002ZZ
157	V-Belt (K-21) 2434	1	H-959-TB157	TB-157
158	Bracket	1	-----	TB-158
159	Hex Bolt – M6 x 20 mm	6	H-959-HBM6	HBS0620
160	Bracket	1	H-959-TB160	TB-160
162	Shaft	1	-----	TB-162
163	Key – 5 x 5 x 38	1	H-959-KY5558	KYA050538
164	Shaft	1	-----	TB-164
165	Solenoid Arm	1	-----	TB-165
166	Spring Pin – 5 x 20 mm	1	H-959-166Q	SP0520
167	Bearing, 635ZZ	3	H-959-TA076	BR635ZZ
168	Arm Pin	1	H-959-APIN	TB-168
169	Lock Washer – M4	6	H-959-SW04	SW04
170	Pulley	1	H-959-TB170	TB-170
172	Stop Ring (S-15)	1	H-959-SR15	SR15
173	V-Belt (K-19) 2151	1	H-959-TB173	TB-173
175	Plate	1	H-959-TB175	TB-175
175A	Plate – Round Belt Pulley	1	H-959-TB175A	TB-175A
176	Friction Disc	2	H-959-TB176	TB-176
177	Pull Shaft	1	H-959-TB177	TB-177
180	Plate Washer – M6 (Pkg. of 50)	23	H-959-PW06A	PW06A
181	Spring Pin – 4 x 14 mm	1	H-959-SP0414	SP0414
183	Spring	1	-----	TB-183
184	Stop Bracket	1	-----	TB-184
185	Hex Bolt – M5 x 10 mm	4	H-959HBS0510	HBS0510
186	Spring	1	-----	TB-186
187	Spring	1	-----	TB-187
189	Retainer	1	H-32-TB189	TB-189
192	Roller	1	H-959-TB192	TB-192
193	Guide	1	H-959-TB193	TB-193

ULINE H-959
POLY STRAPPING
MACHINE

1-800-295-5510
 uline.com

MACHINE ASSEMBLY (B) PARTS LIST CONTINUED

#	DESCRIPTION	QTY.	ULINE PART NO.	MFG. PART NO.
195	Outlet Cover	1	H-959-195	TB-195
196	Machine Screw (M4 x 10)	7	H-959-TB196	PMS0410
197	Strapping Inlet Guide (Top)	1	H-959-TB197	TB-197
199	Pin	1	H-959-TB199	TB-199
200	Stop Ring (S-10)	2	H-959-SR10	SR10
201	Outlet Guide	1	H-959-201	TB-201
203	Guide	1	H-959-203	TB-203
204	Machine Screw (M4 x 8)	10	H-959FMS0408	FMS0408
205	Guide	1	H-959-TB205	TB-205
206	Cover	1	H-959-TB206	TB-206
207	Guide	2	H-959-TB207	TB-207
208	Strapping Inlet Guide (Bottom)	1	H-959-TB208	TB-208
209	Strapping Width Adjustment Plate	1	H-959-209	TB-209
210	Pulley	1	H-959-TB210	TB-210
212	Stop Ring (S-19)	1	-----	RR19
213	Hex Bolt (M5 x 25)	1	H-959-HB0525	HBS0525H
215	Collar	1	-----	TB-215
216	Hex Bolt (M6 X 80)	1	-----	HBO680
220	Machine Screw (M4 x 12)	2	H-959-M4X12	PMS0412
221	Hex Nut (M5)	2	H-959-HN05	HN05
223	Washer	2	H-959-TB223	TB-223
224	Spring Retainer	2	-----	TB-224
225	Bushing	1	H-959-TB225	TB-225
231	Pin	1	H-959-TB231Q	TB-231
232	Bracket	1	H-959-TB232Q	TB-232
234	Hex Bolt (M6 x 75)	1	-----	HBS0665H
246	Stop Ring	1	H-959-SR40	SR-40
247	Hex Bolt (M5 x 6)	1	H-959HBS0506	HBS0506
248	Spring Retainer	1	H-959-TB248	TB-248
249	Bearing, 6005ZZ	1	H-959-BR6005	BR6005ZZ
250	Spring Retaining Tube	1	H-959-TB250	TB-250
251	Tension Adjustment Tube	1	H-959-TB251	TB-251
254	Hex Bolt (M5 x 12)	2	H-959HBS0512	HBS0512
255	Tension Gauge Arm	1	H-959-TB255	TB-255
256	Feed Guide	1	H-959-TB256	TB-256
261	Solenoid (110V) Assembly	1	H-959-TF003A	TF-003A
263	Hex Bolt (M5 x 16)	1	H-959-M5X16	HBS0516
265	Lock Washer (M8)	1	H-959-SW08	SW08
266	Hex Nut (M4)	7	H-959-HN04	HN04

ULINE H-959
**POLY STRAPPING
MACHINE**

1-800-295-5510
uline.com

MACHINE ASSEMBLY (B) PARTS LIST CONTINUED

#	DESCRIPTION	QTY.	ULINE PART NO.	MFG. PART NO.
267	Plate Washer (M4)	3	H-959-PW04	PW04
268	Lock Washer	1	H-959-SW05	SW05
269	Lock Washer (M6)	15	H-959-SW06	SW06
270	Plate Washer (M5)	1	H-959-PW05	PW05
271	Lock Washer (M3)	2	-----	SW03
272	Microswitch (LS-2)	1	H-959-TF007	TF-007
273	Name Plate (LS-2)	1	H-959-LS2Q	LA-50081
274	Name Plate (SOL-1)	1	H-959-SOL1Q	LA-50083
275	Varistor	1	H-959-TF071	TF-071
276	Flange Nut (M6)	2	H-959-FLG06	FLG06
279	Machine Screw (M4 x 6)	2	H-959FMS0406	FMS0406
280	Solenoid Shaft	1	H-959-TA060	TA-060
281	Seal	1	H-959-TA086	TA-086
282	Stop Ring (S-12)	1	H-959-TB172	ER12
290	Machine Screw	1	-----	TMS0412

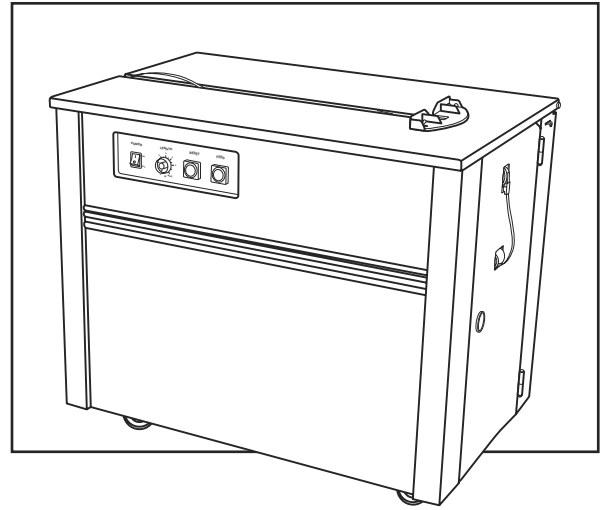
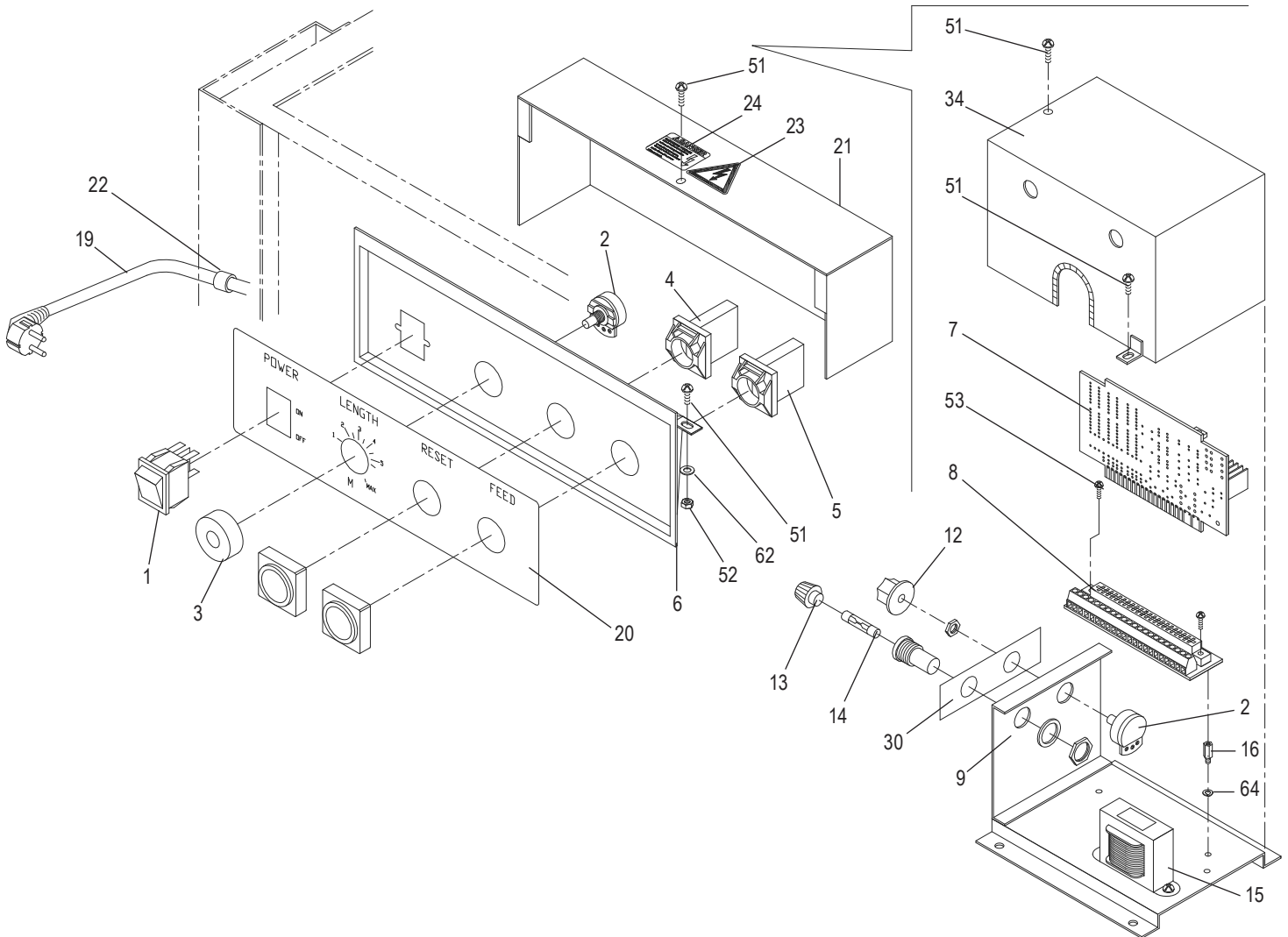


DIAGRAMA DEL PANEL DE CONTROL Y LA CUBIERTA DE LA TARJETA DE CIRCUITOS



LISTA DE PARTES DEL PANEL DE CONTROL

#	DESCRIPCIÓN	CANT.	NO. DE PARTE DE ULINE	NO. DE PARTE DEL FABRICANTE
1	Interruptor de Encendido	1	H-959-TG001	TG-001
2	Resistencia Variable para Longitud	2	H-959-TG002	TG-002
3	Perilla para Longitud	1	H-959-TG003	TG-003
4	Botón Interruptor (R) - Reset	1	H-959-SWITCH	TG-004
5	Botón Interruptor (L) - Feed	1	H-959-TG005	TG-005
6	Panel de Control	1	-----	TG-006
7	Tarjeta de Circuitos	1	H-959-TG007	TG-007
8	Cavidad para Tarjetas de Circuitos	1	H-959-TG008	TG-008
9	Base para Circuitos	1	-----	TG-017
12	Perilla para el Temporizador del Motor	1	H-959-KNOBQ	TG-012
13	Soporte para Fusible	1	H-959-TG013	TG-013
14	Fusible (10A/110V AC)	1	H-959TG014	T6-6-30133
15	Transformador (110V)	1	H-959-TG015	TG-015
16	Tornillo	1	-----	TG-016
19	Enchufe	1	H-959-POWER	TG-019
20	Placa de Control	1	-----	LA-10018
21	Tapa de los Interruptores	1	H-959-TG021	TG-021
22	Ojal	1	H-959-TG022	TG-022
23	Etiqueta	1	-----	LA-40001
24	Etiqueta	1	-----	LA-40003
30	Placa del Nombre	1	-----	LA-20170
34	Cubierta	1	-----	TG-035
51	Tornillo de la Máquina (M4 x 8)	6	H-959-MSCREW	TMS0408
52	Tuerca Hexagonal (M4)	3	H-959-HN04	HN04
53	Tornillo de la Máquina (M3 x 12)	2	H-959-M3X12	TMS0312
62	Rondana (M4)	2	H-959-PW04	PW04
63	Tornillo de la Máquina (M4 x 8)	2	H-959-MSCREW	TMS0408
64	Rondana de Presión 03	2	-----	SW03

**MÁQUINA FLEJADORA
DE POLIPROPILENO****LISTA DE PARTES DEL ENSAMBLE DE LA MÁQUINA (A)**

#	DESCRIPCIÓN	CANT.	NO. DE PARTE DE ULINE	NO. DE PARTE DEL FABRICANTE
1	Unidad de Control Principal	1	-----	TA-901
2	Bloque Principal del Cuerpo	1	H-959BLOCKQ	T5-1-10110
3	Barra de Levas	1	-----	TA-003
4	Llave (5 x 5 x 30)	1	-----	KYA050530
5	Llave (5 x 5 x 101)	1	-----	KYA0505101
6	Llave (5 x 5 x 15)	2	H-959-KYA05	KYA050515
7	Anillo de Presión (E-12)	2	H-959-TB172	ER12
8	Soporte del Balero (R)	1	-----	TA-008-2
9	Remache Hexagonal (M6 x 20)	6	H-959-HBM6	HBS0620
10	Remache Hexagonal (M6 x 45)	1	-----	HBS0645H
11	Balero, 6003ZZ	4	H-959-6003ZZ	BR6003ZZ
12A	Apoyo de Levas	1	H-959-TA12AQ	TA-012A
12B	Apoyo de Levas	1	H-959-TA12BQ	TA-012B
13	Tornillo Hexagonal de Ajuste (M6 x 8)	13	H-959-HSS060	HSS0608G
14	Separador de Leva	1	H-959-TA014	TA-014
15A	Barra de Leva Trasera	1	H-959-TA15AQ	TA-015A
15B	Leva de Calentamiento	1	H-959-TA15BQ	TA-015B
16	Engrane	1	H-959-TA016	TA-016
17	Balero de Soporte (R)	1	-----	TA-017-2
18	Polea	1	H-959-TA018	TA-018
20	Polea	1	H-959-TA020	TA-020
22	Cadena	1	H-959-TA022	TA-022
23	Soporte del Microswitch	1	H-959-TF002	TF-002
24	Leva Trasera	1	H-959-TA024	TA-024
25	Collar	1	-----	TA-025
27	Rueda Dentada	1	H-959-TA027	TA-027
28	Cavidad	1	H-959-TA028	TA-028
29	Perno	1	H-959-TA029	TA-029
30	Soporte	1	-----	TA-030
31	Tornillo de Máquina (M4 x 8)	6	H-959PMS0408	PMS0408
32	Resorte	1	H-959-32	TA-032
33	Tope de Leva	1	H-959-33	TA-033
34	Alarma del Embrague	1	H-959-TA034	TA-034
35	Eje	1	-----	TA-035
36	Llave (5 x 5 x 20)	1	H-959-TB138	KYA050520
37	Soporte del Embrague	1	-----	TA-037
38	Remache Hexagonal (M6 x 16)	14	-----	HBS0616
39	Gatillo	1	H-959-TF009	TF-009
40	Guía	1	-----	TA-040
41	Tornillo de Máquina (M4 x 20)	1	H-959-M4X20	PMS0420
42	Caja de Cambios	1	H-959-TA042	TA-042
43	Remache Hexagonal (M8 x 20)	4	-----	HBS0820

MÁQUINA FLEJADORA DE POLIPROPILENO

CONTINUACIÓN DE LA LISTA DE PARTES DEL ENSAMBLE DE LA MÁQUINA (A)

#	DESCRIPCIÓN	CANT.	NO. DE PARTE DE ULINE	NO. DE PARTE DEL FABRICANTE
44	Rondana	1	H-959-TF022	TF-022
45	Llave (5 x 5 x 25)	2	-----	KYA050525
58	Tiro del Eje	1	H-959-TA058	TA-058
59	Rondana de Presión (M6)	19	H-959-SW06	SW06
60	Solenoides del Eje	1	H-959-TA060	TA-060
61	Pasador (4 x 14)	1	H-959-SP0414	SP0414
62	Abanico	1	H-959-TF028	TF-028
66	Anillo de Presión (S-12)	1	H-959-TB172	ER12
67	Tapa de la Guía de Barra	1	H-959-TA067	TA-067
68A	Ensamble de Barra Trasera Incluye: • Pasador #70 (3 x 18) • Resorte de Retorno #71 • Gancho de Resorte #72 • Barra Trasera #73 (No se Vende por Separado, es Parte del Ensamble) • Pistón #74 • Balero #75 • Pasador #76 (5 x 14) • Resorte #77	1	H-959-13000	T513000
68B	Ensamble de Barra de Presión Incluye: • Barra Frontal #69 (No se Vende por Separado, es Parte del Ensamble) • Pasador #70 (3 x 18) • Resorte de Retorno #71 • Gancho de Resorte #72 • Pistón #74 • Balero #75 • Pasador #76 (5 x 14) • Resorte #77	1	H-959-14000	T514000
68C	Ensamble de Barra Frontal Incluye: • Pasador #70 (3 x 18) • Resorte de Retorno #71 • Gancho de Resorte #72 • Pistón #74 • Balero #75 • Pasador #76 (5 x 14) • Resorte #77 • Barra Frontal #78 (No se Vende por Separado, es Parte del Ensamble)	1	H-959-15000	T515000
69	Barra Frontal (No se Vende por Separado, es Parte del Ensamble)	1	-----	-----
70	Pasador (3 x 18)	3	-----	-----
71	Resorte de Retorno	3	H-959-TA071	TA-071
72	Gancho de Resorte	3	-----	-----
73	Barra Trasera (No se Vende por Separado, es Parte del Ensamble)	1	-----	-----
74	Pistón	3	-----	-----
75	Balero	4	-----	-----
76	Pasador (5 x 14)	3	-----	-----
77	Resorte	3	-----	-----

MÁQUINA FLEJADORA DE POLIPROPILENO

CONTINUACIÓN DE LA LISTA DE PARTES DEL ENSAMBLE DE LA MÁQUINA (A)

#	DESCRIPCIÓN	CANT.	NO. DE PARTE DE ULINE	NO. DE PARTE DEL FABRICANTE
78	Barra Frontal (No se Vende por Separado, es Parte del Ensamble)	1	-----	-----
79	Soporte para Gancho de Resorte	1	H-959TA072Q	TA-072
80	Ensamble de la Placa de Deslizamiento LS1 Incluye: • Remache Hexagonal – M5 x 5.2 mm #81 • Pasador – 3 x 14 mm #82 • Placa del Nombre – (LS-1) #261	1	H-959-SLIDE	TA-080A
81	Remache Hexagonal (M5 x 5.2)	3	H-959-SP0314	SP0314
82	Pasador (3 x 14)	3	H-959-SP0314	SP0314
83	Ensamble del Separador Incluye: • Tapón de Goma del Ensamble – #236	1	H-959-TA083	TA-083A
84	Tornillo de Máquina – M3 x 15 mm	5	H-959-0315	PMS0315
85	Tuerca Hexagonal – M8	2	H-959-HN08	HN08
86	Sello – Grande	1	H-959-TA086	TA-086
87	Gatillo	1	H-959-TA087	TA-087
88	Sello – Chico	1	H-959-88Q	TA-088
89	Gancho de Resorte	1	H-959-TA089	TA-089
90	Brazo	1	H-959-TA090	TA-090
91	Pasador – 6 x 20 mm	1	H-959-SP0620	SP0620
92	Remache Hexagonal – M5 x 25 mm	1	H-959-HB0525	HBS0525
94	Eje	1	H-959-TA094	TA-094
95	Guía (Izquierdo)	1	H-32-TA095	TA-095
96	Remache Hexagonal – M5 x 12 mm	4	H-959HBS0512	HBS0512
97	Tornillo de Máquina – M4 x 8 mm	2	H-959PMS0408	PMS0408
98	Ensamble del Solenoide – 110V	1	H-959-TF003A	TF-003A
99	Ensamble del Motor (110V) Incluye: • Remache Hexagonal #9 (M6 x 20) • Rondana de Presión #59 (M6) • Rondana #246 (M6; Paq. de 50) • Tuerca Hexagonal #247 (M6) • Condensador de Arranque #258	1	H-959-TF001	TF-001
114	Resorte	1	H-32-TA114	TA-114
157	Banda-V (K-21) 2434	1	H-959-TB157	TB-157
226	Guía (Derecho)	1	H-32-TA226	TA-226
227	Resorte de Retorno	1	H-959-TB114	TB-114
228	Banda-V (M-21) 2244	1	H-959-TA228	TA-228
229	Collar	2	H-959-TA229	TA-229
236	Tapón de Goma del Ensamble	1	H-959-TA236	TA-236
238	Anillo de Presión – E-3	1	H-959-TA238	TA-238
239	Soporte de la Cortadora	1	H-959-TA239	TA-239
240	Remache Hexagonal – M5 x 16 mm	4	H-959-M5X16	HBS0516
241	Separador	3	-----	TA-241
244	Tornillo Hexagonal de Ajuste – M5 x 6 mm	2	H-959HBS0506	HBS0506

CONTINUACIÓN DE LA LISTA DE PARTES DEL ENSAMBLE DE LA MÁQUINA (A)

#	DESCRIPCIÓN	CANT.	NO. DE PARTE DE ULINE	NO. DE PARTE DEL FABRICANTE
245	Tornillo Hexagonal de Ajuste (M6 x 6)	2	H-959-M6X6	HSS0606G
246	Rondana (M6; Paq. de 50)	18	H-959-PW06	PW06C
247	Tuerca Hexagonal (M6)	6	H-959-HN06	HN06
248	Tuerca Hexagonal (M4)	1	H-959-HN04	HN04C
249	Rondana de Presion (M4)	4	H-959-SW04	SW04
250	Rondana de Presion (M5)	5	H-959-SW05	SW05
251	Rondana (M5)	2	H-959-PW05	PW05
252	Remache Hexagonal (M5 x 25)	1	H-959-HB0525	HBS0525H
253	Tuerca Hexagonal (M5)	2	H-959-HN05	HN05
254	Rondana de Presion (M8)	5	H-959-SW08	SW08
255	Tuerca Hexagonal (M3)	1	-----	HN03
256	Rondana (M6)	2	H-959-PW06A	PW06A
258	Condensador de Arranque	1	H-959-TF046	TF-046
259	Microinterruptor (LS-1, LS-3)	2	H-959-TF006	TF-006
260	Placa del Nombre (LS-3)	1	-----	LA-50082
261	Placa del Nombre (LS-1)	1	H-959LA50080	LA-50080
262	Rondana de Presión (M3)	3	-----	SW03
263	Placa del Nombre (SOL-2)	1	H-959SOL2Q	LA-50084
264	Varistor	1	H-959-TF071	TF-071
265	Rondana (M8)	4	-----	PW08C

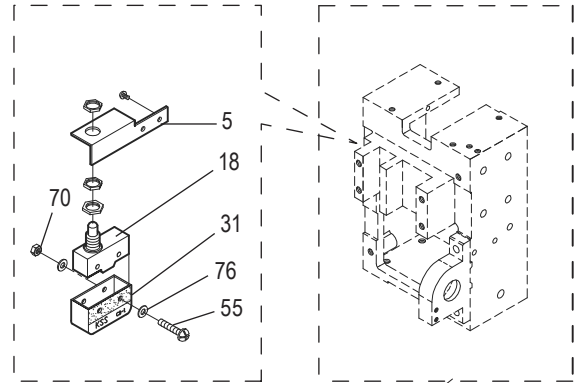
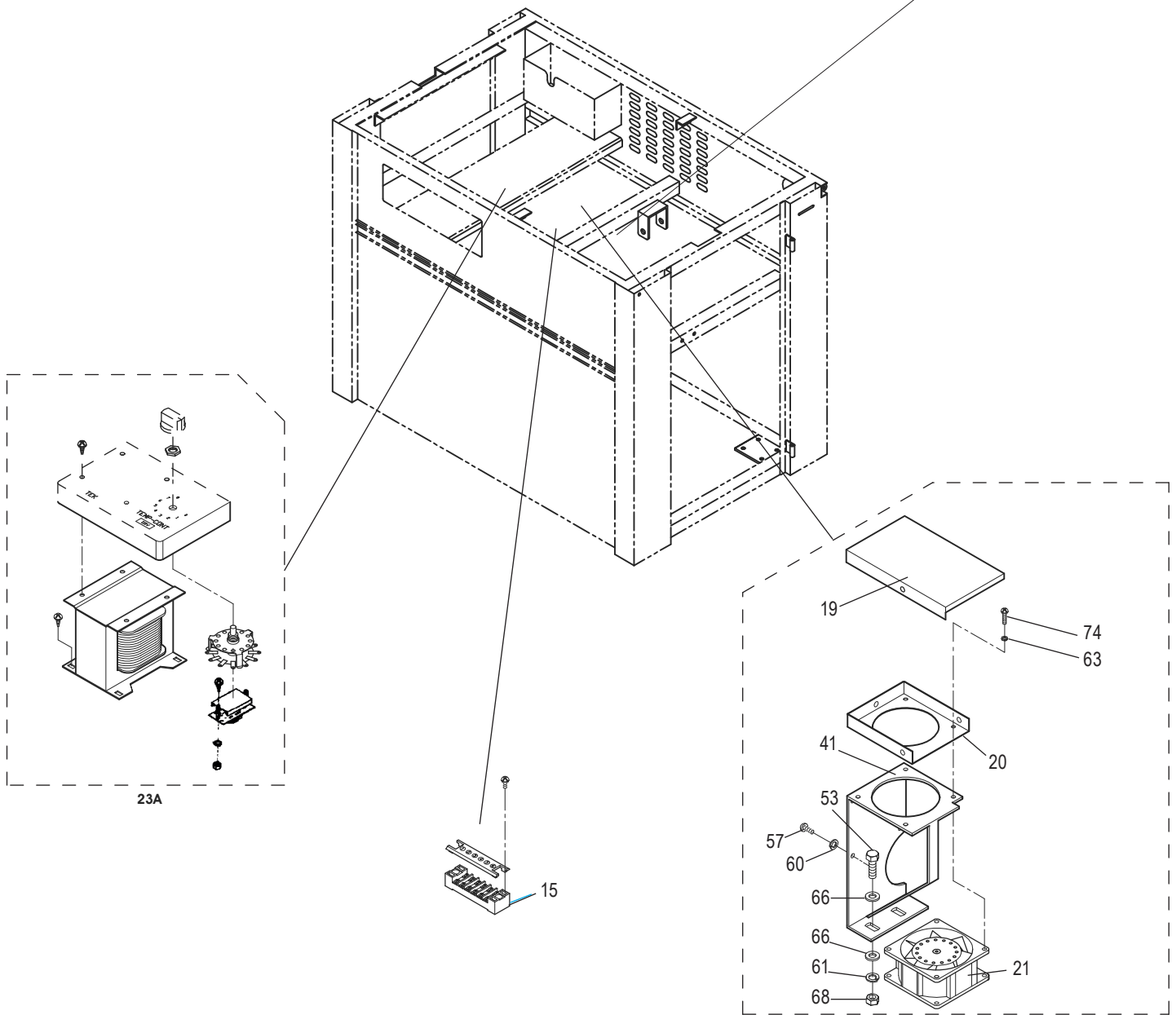


DIAGRAMA DE PARTES ELÉCTRICAS

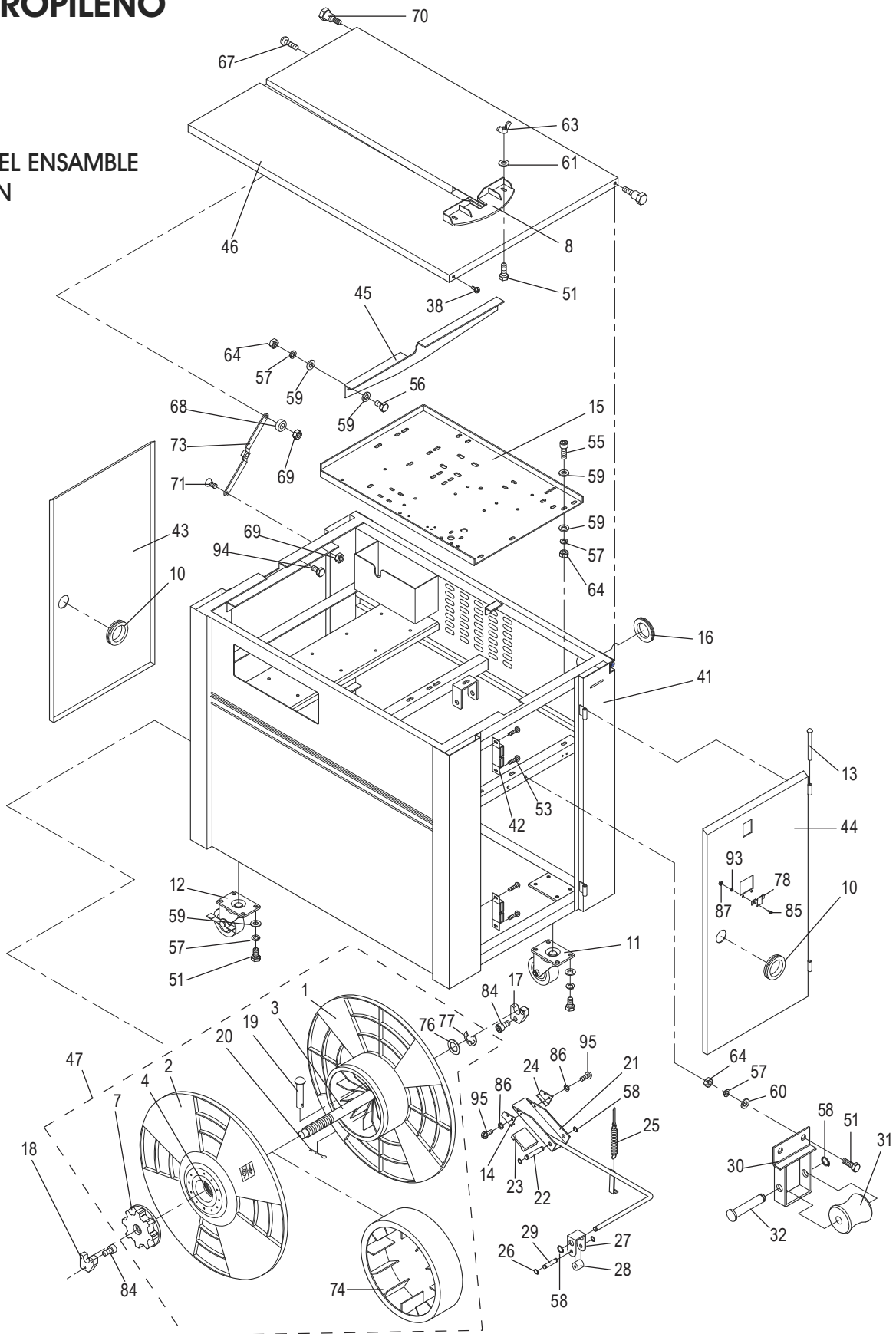


LISTA DE PARTES ELÉCTRICAS

#	DESCRIPCIÓN	CANT.	NO. DE PARTE DE ULINE	NO. DE PARTE DEL FABRICANTE
5	Placa del Interruptor de Seguridad	1	-----	TF-005
15	Soporte de la Terminal	1	H-959-15Q	TF-015
18	Interruptor de Límite de Seguridad	1	H-959-TF018	TF-018
19	Placa Adiabática	1	H-959-TF019	TF-019
20	Tapa del Abanico	1	H-959-FC	TF-020
21	Abanico (110V)	1	H-959-TF021	TF-021
23A	Ensamble del Transformador de Calentamiento (110V)	1	H-959-TF023A	TF-023A
31	Tapa del Interruptor	1	H-959-TF031	TF-031
41	Soporte del Abanico	1	-----	TJ-022
53	Remache Hexagonal (M6 x 20)	2	H-959-HBM6	HBS0620
55	Tornillo de Máquina (M4 x 25)	2	H-959-S0425	PMS0425
57	Tornillo de Máquina (M4 x 10)	8	H-959-TB196	PMS0412
60	Rondana de Presión (M4)	8	H-959-SW04	PMS0410
61	Rondana de Presión (M6)	2	H-959-SW06	SW06
63	Rondana de Presión (M5)	6	H-959-SW05	SW05
66	Rondana (M6; Paq. de 50)	4	H-959-PW06	PW06
68	Tuerca Hexagonal (M6)	2	H-959-HN06	HN06
70	Tuerca Hexagonal (M4)	2	H-959-TF071	HN04
74	Tornillo de Máquina (M5 x 8)	2	-----	TMS0508
76	Rondana (M4)	4	H-959-PW04	PW04

MÁQUINA FLEJADORA DE POLIPROPILENO

DIAGRAMA DEL ENSAMBLE DEL ARMAZÓN



LISTA DE PARTES DEL ENSAMBLE DEL MARCO

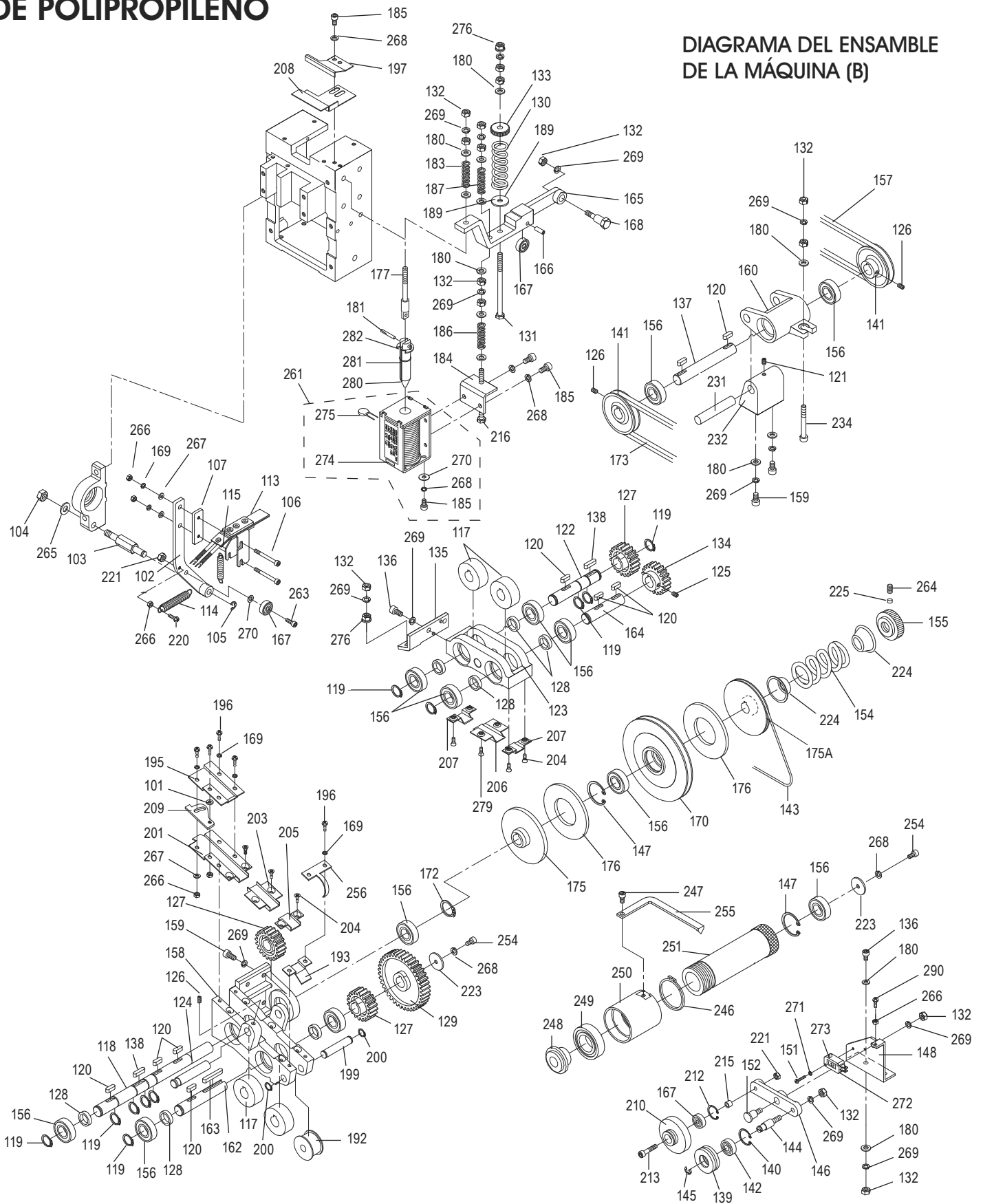
#	DESCRIPCIÓN	CANT.	NO. DE PARTE DE ULINE	NO. DE PARTE DEL FABRICANTE
1	Carril Interno	1	H-959-TE001	TE-001
2	Carril Externo	1	H-959-TC014	TC-014
3	Eje	1	H-959-TE003	TE-003
4	Protector	1	H-959-TC015	TC-015
7	Tuerca del Riel	1	H-959-TC016	TC-016
8	Guía del Paquete	1	H-959-TC004	TC-004
10	Ojal	2	H-959-TE010	TE-010
11	Rueda	2	H-959-TE011	TE-011
12	Rueda con Freno	2	H-959-TE012	TE-012
13	Perno de Bloqueo	4	H-959-LPIN	TE-013
14	Soporte del Freno (Derecho)	1	H-959-TE014	TE-014
15	Soporte	1	-----	TC-002
16	Ojal	1	H-959TC-008	TC-008
17	Cubierta de Metal (Izquierdo)	1	H-959-TE017	TE-017
18	Cubierta de Metal (Derecho)	1	H-959-TE018	TE-018
19	Perno	1	H-959-TC020	TC-020
20	Pasador	1	H-959-TC021	TC-021
21	Set de Freno	1	H-959-TE021	TE-021
22	Perno	1	-----	TE-022
23	Goma de los Frenos	1	H-959-TE023	TE-023
24	Soporte de Freno (Izquierdo)	1	H-959-TE024	TE-024
25	Resorte	1	H-959-TE025	TE-025
26	Anillo de Presión	2	H-959-SNAP	ER04
27	Soporte de Rodillo	1	H-959-TE027	TE-027
28	Rodillo	1	H-959-TE028	TE-028
29	Perno	1	H-959-TE029	TE-029
30	Soporte de Guía de la Banda	1	H-959-TE030	TE-030
31	Rodillo	1	H-959-TC049	TC-049
32	Eje	1	H-959-TC048	TC-048
41	Marco	1	-----	TE-041
42	Captura de Imán	4	H-959-TE042	TE-042
43	Puerta del Lado Izquierdo	1	H-959-LDOOR	TE-043
44	Puerta del Lado Derecho	1	H-959-RDOOR	TE-044
45	Soporte	1	-----	TE-045
46	Placa Superior	1	H-959-TC043	TC-043
47	Ensamble del Riel	1	H-959-TE001A	TE-001A
51	Remache Hexagonal de M6 x 12 mm	12	H-959-HB0612	HB0612
53	Tornillo de Máquina de M3 x 5 mm	8	H-959-0305Q	TMS0305

CONTINUACIÓN DE LA LISTA DE PARTES DEL ENSAMBLE DEL MARCO

#	DESCRIPCIÓN	CANT.	NO. DE PARTE DE ULINE	NO. DE PARTE DEL FABRICANTE
55	Tornillo para máquina con perno hexagonal de M6 x 20 mm	14	H-959-HBM6	HBS0620
56	Tornillo para máquina con perno hexagonal de M6 x 20 mm	2	H-959-HBM6	HB0620
57	Rondana de Presión de M6	20	H-959-SW06	SW06
58	Anillo de Presión (S-10)	5	H-959-SR10	SR10
59	Rondana - C (M6; Paq. de 50)	50	H-959-PW06	PW06C
60	Rondana A	2	H-959-PW06A	PW06A
61	Rondana B	2	H-959-PW06BQ	PW06B
63	Tuerca Mariposa de M6	2	H-959-WN06A	WN06
64	Tuerca Hexagonal de M6	8	H-959-HN06	HN06
65	Placa del Interruptor de Seguridad	2	-----	TE-065
67	Tornillo de Máquina de M6 x 12 mm	1	H-959-0612Q	TMS0612
68	Collar	1	H-959-TC068	TC-068
69	Tuerca de Seguridad de M6	2	H-959-NTE06Q	NTE06
70	Eje	2	H-959-TC070	TC-070
71	Tornillo de Máquina de M6 x 12 mm	1	H-959-FMS612	FMS0612
73	Bisagra	1	H-959-HINGE	T5-2-10170
74	Tambor Intermedio de 230 mm	1	H-959-TC074	TC-074
75	Tambor Intermedio 280 mm	1	H-959-TC075	TC-075
76	Rondana	1	H-959-TC076	TC-076
77	Anillo de Presión (E-19)	1	H-959-ER19	ER19
78	Guía	1	H-959-TB205	TB-205
84	Remache Hexagonal de M6 x 12 mm	4	H-959-HB0612	HB0612
85	Tornillo de Máquina de M4 x 8 mm	2	H-959-MSCREW	TMS0408
86	Rondana de Presión de M4	2	H-959-SW04	SW04
87	Tuerca Hexagonal de M4	6	H-959-HN04	HN04
92	Tornillo de Máquina de M4 x 25 mm	4	H-959-S0425	PMS0425
93	Rondana (M4)	6	H-959-PW04	PW04
94	Remache Hexagonal de M6 x 10 mm	1	H-959HB06100	HB0610
95	Tornillo de Máquina de M4 x 8 mm	2	H-959PMS0408	PMS0408

MÁQUINA FLEJADORA DE POLIPROPILENO

DIAGRAMA DEL ENSAMBLE DE LA MÁQUINA (B)



LISTA DE PARTES DEL ENSAMBLE DE LA MÁQUINA (B)

#	DESCRIPCIÓN	CANT.	NO. DE PARTE DE ULINE	NO. DE PARTE DEL FABRICANTE
101	Rondana (M4)	2	H-959-PW04	PW04
102	Brazo de Calentamiento	1	H-959-TB102	TB-102
103	Perno	1	H-959-TB103	TB-103
104	Tuerca Hexagonal de M8	1	H-959-HN08	HN08
105	Anillo de Presión (E-6)	1	H-959-ER06	ER06
106	Remache Hexagonal de M4 x 40 mm	2	H-959-M4X40	HBS0440H
107	Placa Lateral	1	H-959-TB107	TB-107
113	Ensamble de Calentador	1	H-959-TB113	TB-113
114	Resorte de Retorno	1	H-959-TB114	TB-114
115	Resorte	1	H-959-TB115	TB-115
117	Rodillo	4	H-959-TB117	TB-117
118	Eje para el Ajuste de Tensión Externo	1	H-959-TB118A	TB-118A
119	Anillo de Retención (S-15)	9	H-959-SR15	SR15
120	Llave (5 x 5 x 15)	9	H-959-KYA05	KYA050515
121	Tornillo Hexagonal de Ajuste de M5 x 6 mm	2	H-959HBS0506	HSS0506G
122	Eje	1	-----	TB-122
123	Soporte	1	-----	TB-123
124	Perno	1	-----	TB-124
125	Tornillo Hexagonal de Ajuste de M6 x 6 mm	1	H-959-M6X6	HSS0606G
126	Tornillo Hexagonal de Ajuste de M5 x 8 mm	3	H-959-M5X8	HSS0508G
127	Engrane	3	H-959-TB127	TB-127
128	Collar	7	H-959-TB128	TB-128
129	Engrane de Alimentación	1	-----	TB-129
130	Resorte	1	H-959-TB130	TB-130
131	Remache Hexagonal de M6 x 100 m m	1	H-959HB06100	HB06100
132	Tuerca Hexagonal de M6	16	H-959-HN06	HN06
133	Tuerca	1	H-959-TB133	TB-133
134	Engrane	1	H-959-TB134	TB-134
135	Brazo de Soporte	1	-----	TB-135
136	Remache Hexagonal de M6 x 16 mm	4	-----	-----
137	Eje	1	H-959-TB137	TB-137
138	Llave (5 x 5 x 20)	2	H-959-TB138	KYA050520
139	Polea	1	H-959-TB139	TB-139
140	Anillo de Retención (S-22)	1	-----	RR22
141	Polea	1	H-959-TB141	TB-141
142	Balero, 608ZZ	1	H-959-608ZZ	BR608ZZ
143	Banda Redonda	1	H-959-TB143	TB-143

CONTINUACIÓN DE LA LISTA DE PARTES DEL ENSAMBLE DE LA MÁQUINA (B)

#	DESCRIPCIÓN	CANT.	NO. DE PARTE DE ULINE	NO. DE PARTE DEL FABRICANTE
144	Eje	1	-----	TB-144
145	Anillo de Presión (E-7)	1	H-959-ER07S	ER07S
146	Brazo	1	-----	TB-146
147	Anillo de Presión (H-32)	2	H-959-RR32	RR32
148	Soporte	1	H-959-TB148	TB-148
151	Tornillo de Máquina de M3 x 15 mm	2	H-959-0315	PMS0315
152	Eje	1	H-959-TB152	TB-152
154	Resorte	1	H-959-TB154	TB-154
155	Tuerca	1	-----	TB-155
156	Balero, 6002ZZ	12	H-959-6002ZZ	BR6002ZZ
157	Banda-V (K-21)	1	H-959-TB157	TB-157
158	Soporte	1	-----	TB-158
159	Remache Hexagonal de M6 x 20 mm	6	H-959-HBM6	HBS0620
160	Soporte	1	H-959-TB160	TB-160
162	Eje	1	-----	TB-162
163	Llave de 5 x 5 x 38	1	H-959-KY5558	KYA050538
164	Eje	1	-----	TB-164
165	Brazo Solenoide	1	-----	TB-165
166	Pasador de 5 x 20 mm	1	H-959-166Q	SP0520
167	Balero, 635ZZ	3	H-959-TA076	BR635ZZ
168	Pasador de Brazo	1	H-959-APIN	TB-168
169	Rondana de Presión de M4	6	H-959-SW04	SW04
170	Riel	1	H-959-TB170	TB-170
172	Tope de Anillo (S-15)	1	H-959-SR15	SR15
173	Banda-V (K-19)	1	H-959-TB173	TB-173
175	Placa	1	H-959-TB175	TB-175
175a	Placa – Polea de Correa Redonda	1	H-959-TB175A	TB-175A
176	Disco de Fricción	2	H-959-TB176	TB-176
177	Tiro del Eje	1	H-959-TB177	TB-177
180	Rondana de M6 (Pkg of 50)	23	H-959-PW06A	PW06A
181	Pasador de 4 x 14 mm	1	H-959-SP0414	SP0414
183	Resorte	1	-----	TB-183
184	Soporte de Detención	1	-----	TB-184
185	Remache Hexagonal de M5 x 10 mm	4	H-959HBS0510	HBS0510
186	Resorte	1	-----	TB-186
187	Resorte	1	-----	TB-187
189	Retenedor	1	H-32-TB189	TB-189
192	Rodillo	1	H-959-TB192	TB-192
193	Guía	1	H-959-TB193	TB-193

CONTINUACIÓN DE LA LISTA DE PARTES DEL ENSAMBLE DE LA MÁQUINA (B)

#	DESCRIPCIÓN	CANT.	NO. DE PARTE DE ULINE	NO. DE PARTE DEL FABRICANTE
195	Tapa de Salida	1	H-959-195	TB-195
196	Tornillo de Máquina de M4 x 10 mm	7	H-959-TB196	PMS0410
197	Guía del Canal del Fleje (Superior)	1	H-959-TB197	TB-197
199	Perno	1	H-959-TB199	TB-199
200	Tope de Anillo (S-10)	2	H-959-SR10	SR10
201	Guía de Salida	1	H-959-201	TB-201
203	Guía	1	H-959-203	TB-203
204	Tornillo de Máquina de M4 x 8 mm	10	H-959FMS0408	FMS0408
205	Guía	1	H-959-TB205	TB-205
206	Tapa	1	H-959-TB206	TB-206
207	Guía	2	H-959-TB207	TB-207
208	Guía del Canal del Fleje (Inferior)	1	H-959-TB208	TB-208
209	Placa de Ajuste del Ancho del Fleje	1	H-959-209	TB-209
210	Polea	1	H-959-TB210	TB-210
212	Tope de Anillo (S-19)	1	-----	RR19
213	Remache Hexagonal de M5 x 25 mm	1	H-959-HB0525	HBS0525H
215	Collar	1	-----	TB-215
216	Remache Hexagonal de M6 x 80 mm	1	-----	HB0680
220	Tornillo de Máquina de M4 x 12 mm	2	H-959-M4X12	PMS0412
221	Tuerca Hexagonal de M5	2	H-959-HN05	HN05
223	Rondana	2	H-959-TB223	TB-223
224	Retenedor de Resorte	2	-----	TB-224
225	Tubo	1	H-959-TB225	TB-225
231	Perno	1	H-959-TB231Q	TB-231
232	Soporte	1	H-959-TB232Q	TB-232
234	Remache Hexagonal de M6 x 75 mm	1	-----	HBS0665H
246	Tope de Anillo	1	H-959-SR40	SR-40
247	Remache Hexagonal de M5 x 6 mm	1	H-959HBS0506	HBS0506
248	Retenedor de Resorte	1	H-959-TB248	TB-248
249	Balero, 6005ZZ	1	H-959-BR6005	BR6005ZZ
250	Tubo de Retención de Resorte	1	H-959-TB250	TB-250
251	Tubo de Ajuste de Tensión	1	H-959-TB251	TB-251
254	Remache Hexagonal de M5 x 12 mm	2	H-959HBS0512	HBS0512
255	Brazo de Calibrador de Tensión	1	H-959-TB255	TB-255
256	Guía de Alimentación	1	H-959-TB256	TB-256
261	Ensamble del Solenoide (110V)	1	H-959-TF003A	TF-003A
263	Remache Hexagonal de M5 x 16 mm	1	H-959-M5X16	HBS0516
265	Rondana de Presión de M8	1	H-959-SW08	SW08
266	Tuerca Hexagonal de M4	7	H-959-HN04	HN04

CONTINUACIÓN DE LA LISTA DE PARTES DEL ENSAMBLE DE LA MÁQUINA (B)

#	DESCRIPCIÓN	CANT.	NO. DE PARTE DE ULINE	NO. DE PARTE DEL FABRICANTE
267	Rondana de M4	3	H-959-PW04	PW04
268	Rondana de Presión	1	H-959-SW05	SW05
269	Rondana de Presión de M6	15	H-959-SW06	SW06
270	Rondana de M5	1	H-959-PW05	PW05
271	Rondana de Presión de M3	2	-----	SW03
272	Microswitch (LS-2)	1	H-959-TF007	TF-007
273	Placa de Nombre (LS-2)	1	H-959-LS2Q	LA-50081
274	Placa de Nombre (SOL-1)	1	H-959-SOL1Q	LA-50083
275	Varistor	1	H-959-TF071	TF-071
276	Tuerca de Carril de M6	2	H-959-FLG06	FLG06
279	Tornillo de Máquina de M4 x 6 mm	2	H-959FMS0406	FMS0406
280	Eje Solenoide	1	H-959-TA060	TA-060
281	Sello	1	H-959-TA086	TA-086
282	Tope de Anillo (S-12)	1	H-959-TB172	ER12
290	Tornillo de Máquina	1	-----	TMS0412

ULINE H-959 CERCLEUSE POUR FEUILLARD EN POLYPROPYLENE

1 800 295-5510
uline.com

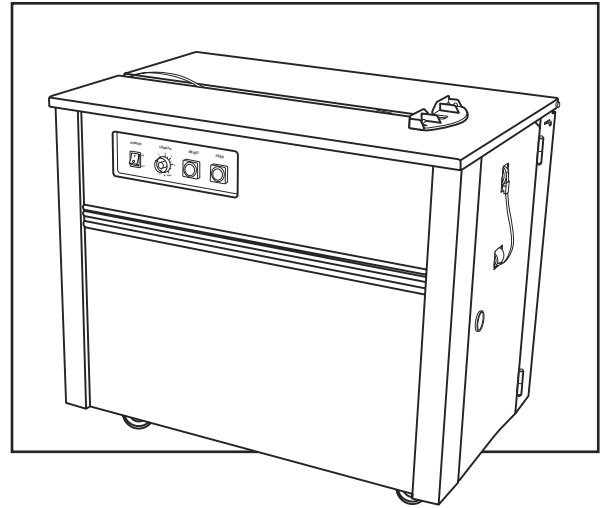
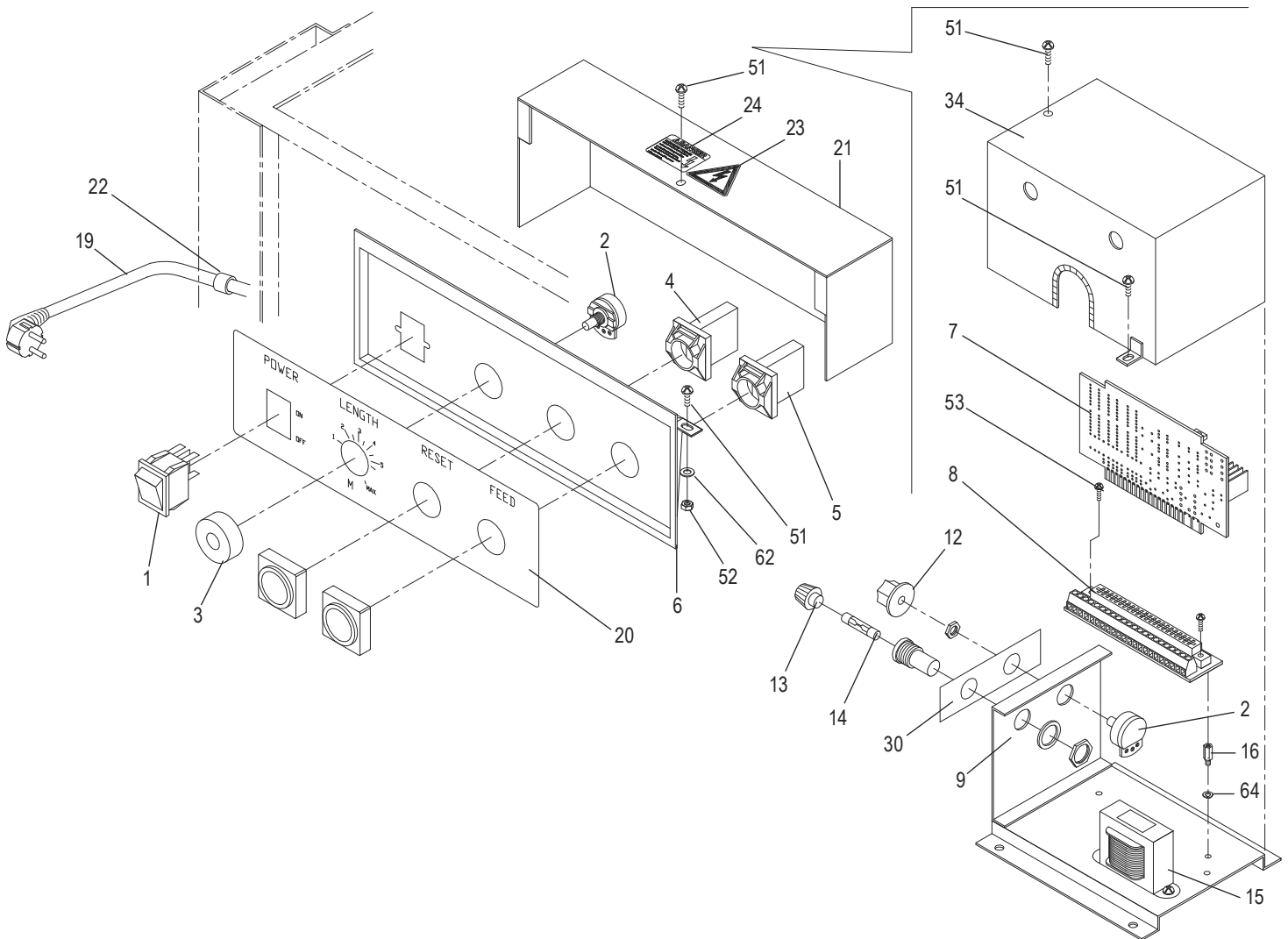


SCHÉMA DU PANNEAU DE COMMANDE ET BOÎTIER DE LA CARTE DE CIRCUITS IMPRIMÉS



ULINE H-959
CERCLEUSE POUR
FEUILLARD EN
POLYPROPYLENE

1 800 295-5510
 uline.com

LISTE DES PIÈCES DU PANNEAU DE COMMANDE

#	DESCRIPTION	QTÉ	RÉF. ULINE	RÉF. DU FABRICANT
1	Interrupteur	1	H-959-TG001	TG-001
2	Résistance variable pour longueur	2	H-959-TG002	TG-002
3	Bouton de longueur	1	H-959-TG003	TG-003
4	Interrupteur à bouton-poussoir (droit) – Réinitialisation	1	H-959-SWITCH	TG-004
5	Interrupteur à bouton-poussoir (gauche) – Alimentation	1	H-959-TG005	TG-005
6	Panneau de commande	1	-----	TG-006
7	Carte de circuits imprimés	1	H-959-TG007	TG-007
8	Prise de la carte de circuits imprimés	1	H-959-TG008	TG-008
9	Base pour boîtier de la carte de circuits imprimés	1	-----	TG-017
12	Bouton pour minuterie du moteur	1	H-959-KNOB	TG-012
13	Porte-fusible	1	H-959-TG013	TG-013
14	Fusible (10 A/110 V c.a.)	1	H-959TG014	T6-6-30133
15	Transformateur (110 V)	1	H-959-TG015	TG-015
16	Boulon	1	-----	TG-016
19	Cordon d'alimentation	1	H-959-POWER	TG-019
20	Étiquette de commande	1	-----	LA-10018
21	Couvercle de l'interrupteur	1	H-959-TG021	TG-021
22	Passe-fil	1	H-959-TG022	TG-022
23	Étiquette	1	-----	LA-40001
24	Étiquette	1	-----	LA-40003
30	Plaque signalétique	1	-----	LA-20170
34	Couvercle	1	-----	TG-035
51	Vis à métaux de M4 x 8 mm	6	H-959-MSCREW	TMS0408
52	Écrou hexagonal de M4	3	H-959-HN04	HN04
53	Vis à métaux de M3 X 12 mm	2	H-959-M3X12	TMS0312
62	Rondelle plate de M4	2	H-959-PW04	PW04
63	Vis à métaux de M4 x 8 mm	2	H-959-MSCREW	TMS0408
64	Rondelle de blocage 03	2	-----	SW03

**CERCLEUSE POUR
FEUILLARD EN
POLYPROPYLENE**

1 800 295-5510

uline.com

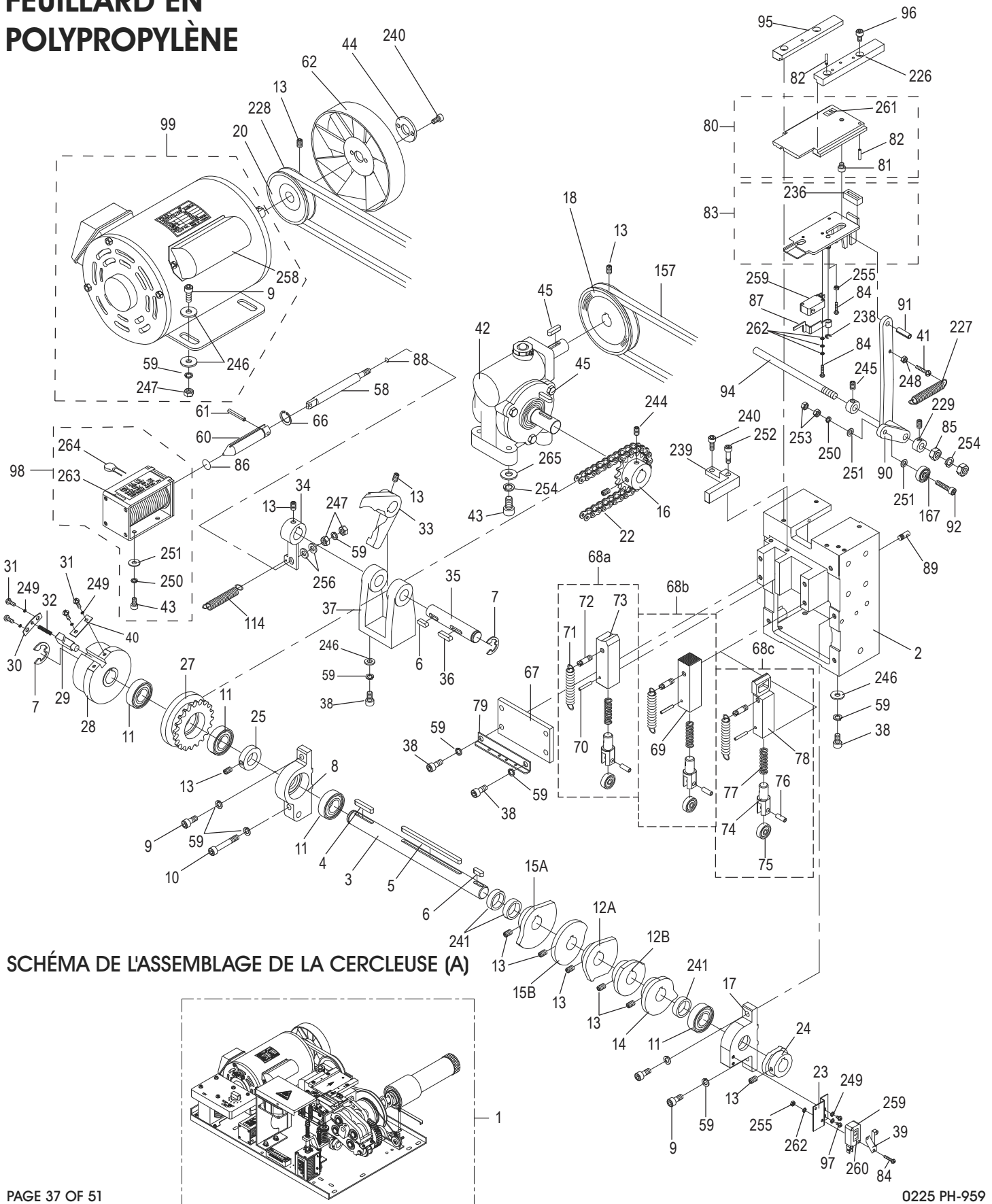


SCHÉMA DE L'ASSEMBLAGE DE LA CERCLEUSE (A)

ULINE H-959

CERCLEUSE POUR FEUILLARD EN POLYPROPYLENE

1 800 295-5510
uline.com

LISTE DES PIÈCES DE L'ASSEMBLAGE DE LA CERCLEUSE (A)

#	DESCRIPTION	QTÉ	RÉF. ULINE	RÉF. DU FABRICANT
1	Tête de commande	1	-----	TA-901
2	Bloc de corps principal	1	H-959BLOCKQ	T5-1-10110
3	Arbre à came	1	-----	TA-003
4	Clé de 5 x 5 x 30	1	-----	KYA050530
5	Clé de 5 x 5 x 101	1	-----	KYA0505101
6	Clé de 5 x 5 x 15	2	H-959-KYA05	KYA050515
7	Anneau de retenue (E-12)	2	H-959-TB172	ER12
8	Chaise de palier (droit)	1	-----	TA-008-2
9	Boulon hexagonal de M6 x 20 mm	6	H-959-HBM6	HBS0620
10	Boulon hexagonal de M6 x 45 mm	1	-----	HBS0645H
11	Roulement, 6003ZZ	4	H-959-6003ZZ	BR6003ZZ
12A	Came de soutien	1	H-959-TA12AQ	TA-012A
12B	Came de soutien	1	H-959-TA12BQ	TA-012B
13	Ensemble de vis à tête hexagonale de M6 x 8 mm	13	H-959-HSS060	HSS0608G
14	Séparateur à came	1	H-959-TA014	TA-014
15A	Came de barre arrière	1	H-959-TA15AQ	TA-015A
15B	Came d'élément chauffant	1	H-959-TA15BQ	TA-015B
16	Roue dentée	1	H-959-TA016	TA-016
17	Chaise de palier (droit)	1	-----	TA-017-2
18	Poulie	1	H-959-TA018	TA-018
20	Poulie	1	H-959-TA020	TA-020
22	Chaîne	1	H-959-TA022	TA-022
23	Support de microcontact	1	H-959-TF002	TF-002
24	Came arrière	1	H-959-TA024	TA-024
25	Collet	1	-----	TA-025
27	Roue dentée	1	H-959-TA027	TA-027
28	Boîtier	1	H-959-TA028	TA-028
29	Tige	1	H-959-TA029	TA-029
30	Support	1	-----	TA-030
31	Vis à métaux de M4 x 8 mm	6	H-959PMS0408	PMS0408
32	Ressort	1	H-959-32	TA-032
33	Came d'arrêt	1	H-959-33	TA-033
34	Avertisseur d'embrayage	1	H-959-TA034	TA-034
35	Arbre	1	-----	TA-035
36	Clé de 5 x 5 x 20	1	H-959-TB138	KYA050520
37	Support d'embrayage	1	-----	TA-037
38	Boulon hexagonal de M6 x 16 mm	14	-----	HBS0616
39	Détente de l'interrupteur	1	H-959-TF009	TF-009
40	Guide	1	-----	TA-040

ULINE H-959

CERCLEUSE POUR FEUILLARD EN POLYPROPYLENE

1 800 295-5510
uline.com

LISTE DES PIÈCES DE L'ENSEMBLE DE LA CERCLEUSE (A) SUITE

#	DESCRIPTION	QTÉ	RÉF. ULINE	RÉF. DU FABRICANT
41	Vis à métaux de M4 X 20 mm	1	H-959-M4X20	PMS0420
42	Boîte d'engrenages	1	H-959-TA042	TA-042
43	Boulon hexagonal de M8 x 20 mm	4	-----	HBS0820
44	Rondelle	1	H-959-TF022	TF-022
45	Clé de 5 x 5 x 25	2	-----	KYA050525
58	Arbre de tirage	1	H-959-TA058	TA-058
59	Rondelle de blocage de M6	19	H-959-SW06	SW06
60	Arbre de solénoïde	1	H-959-TA060	TA-060
61	Cheville ressort de 4 x 14 mm	1	H-959-SP0414	SP0414
62	Ventilateur	1	H-959-TF028	TF-028
66	Anneau de retenue (S-12)	1	H-959-TB172	ER12
67	Couvercle de guide de barre	1	H-959-TA067	TA-067
68A	Assemblage de barre arrière Comprend : <ul style="list-style-type: none"> • Cheville ressort n° 70 (3 x 18) • Cheville ressort de rappel n° 71 • Crochet de sûreté n° 72 • Barre arrière n° 73 (non vendue séparément, pièce d'un ensemble) • Piston plongeur n° 74 • Roulement n° 75 • Cheville ressort n° 76 (5 x 14) • Ressort n° 77 	1	H-959-13000	T513000
68B	Assemblage de barre de pression Comprend : <ul style="list-style-type: none"> • Barre de pression n° 69 (non vendue séparément, pièce d'un ensemble) • Cheville ressort n° 70 (3 x 18) • Cheville ressort de rappel n° 71 • Crochet de sûreté n° 72 • Piston plongeur n° 74 • Roulement n° 75 • Cheville ressort n° 76 (5 x 14) • Ressort n° 77 	1	H-959-14000	T514000
68C	Assemblage de barre avant Comprend : <ul style="list-style-type: none"> • Cheville ressort n° 70 (3 x 18) • Cheville ressort de rappel n° 71 • Crochet de sûreté n° 72 • Piston plongeur n° 74 • Roulement n° 75 • Cheville ressort n° 76 (5 x 14) • Ressort n° 77 • Barre avant n° 78 (non vendue séparément, pièce d'un ensemble) 	1	H-959-15000	T515000
69	Barre de pression (non vendue séparément, pièce d'un ensemble)	1	-----	-----
70	Cheville ressort de 3 x 18 mm	3	-----	-----
71	Cheville ressort de rappel	3	H-959-TA071	TA-071

ULINE H-959

CERCLEUSE POUR FEUILLARD EN POLYPROPYLENE

1 800 295-5510
uline.com

LISTE DES PIÈCES DE L'ENSEMBLE DE LA CERCLEUSE (A) SUITE

#	DESCRIPTION	QTÉ	RÉF. ULINE	RÉF. DU FABRICANT
72	Crochet de sûreté	3	-----	-----
73	Barre arrière (non vendue séparément, pièce d'un ensemble)	1	-----	-----
74	Piston plongeur	3	-----	-----
75	Roulement	4	-----	-----
76	Cheville ressort de 5 x 14 mm	3	-----	-----
77	Ressort	3	-----	-----
78	Barre avant (non vendue séparément, pièce d'un ensemble)	1		
79	Support de crochet de sûreté	1	H-959TA072Q	TA-072
80	Assemblage de plaque de glissement LS1 Comprend : • Boulon hexagonal n° 81 (M5 x 5,2) • Cheville ressort n° 82 (3 x 14) • Plaque signalétique n° 261 (LS-1)	1	H-959-SLIDE	TA-080A
81	Boulon hexagonal (M5 x 5,2)	1	H-959-TA081	HBS0505.2
82	Cheville ressort de 3 x 14 mm	3	H-959-SP0314	SP0314
83	Ensemble du séparateur Comprend : • Assemblage du tampon en caoutchouc n° 236	3	H-959-TA083	TA-083A
84	Vis à métaux de M3 X 15 mm	5	H-959-0315	PMS0315
85	Écrou hexagonal de M8	2	H-959-HN08	HN08
86	Joint (grand)	1	H-959-TA086	TA-086
87	Levier d'interrupteur	1	H-959-TA087	TA-087
88	Joint (petit)	1	H-959-88Q	TA-088
89	Crochet de sûreté	1	H-959-TA089	TA-089
90	Bras	1	H-959-TA090	TA-090
91	Cheville ressort de 6 x 20 mm	1	H-959-SP0620	SP0620
92	Boulon hexagonal de M5 x 25 mm	1	H-959-HB0525	HBS0525
94	Arbre	1	H-959-TA094	TA-094
95	Guide (gauche)	1	H-32-TA095	TA-095
96	Boulon hexagonal de M5 x 12 mm	4	H-959HBS0512	HBS0512
97	Vis à métaux de M4 x 8 mm	2	H-959PMS0408	PMS0408
98	Ensemble solénoïde (110 V)	1	H-959-TF003A	TF-003A
99	Ensemble moteur (110 V) Comprend : • Boulon hexagonal n° 9 (M6 x 20) • Rondelle de blocage n° 59 (M6) • Rondelle plate n° 246 (M6, ensemble de 50) • Écrou hexagonal n° 247 (M6) • Condensateur de démarrage n° 258	1	H-959-TF001	TF-001
114	Ressort	1	H-32-TA114	TA-114
157	Courroie en V (K-21)	1	H-959-TB157	TB-157
226	Guide (droit)	1	H-32-TA226	TA-226
227	Ressort de rappel	1	H-959-TB114	TB-114

ULINE H-959
CERCLEUSE POUR
FEUILLARD EN
POLYPROPYLENE

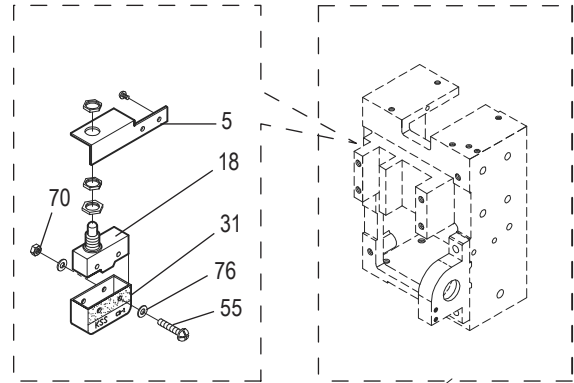
1 800 295-5510
 uline.com

LISTE DES PIÈCES DE L'ENSEMBLE DE LA CERCLEUSE (A) SUITE

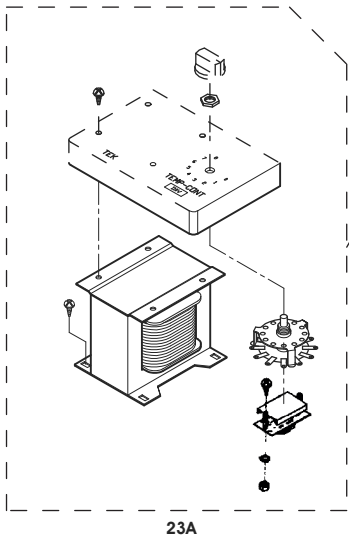
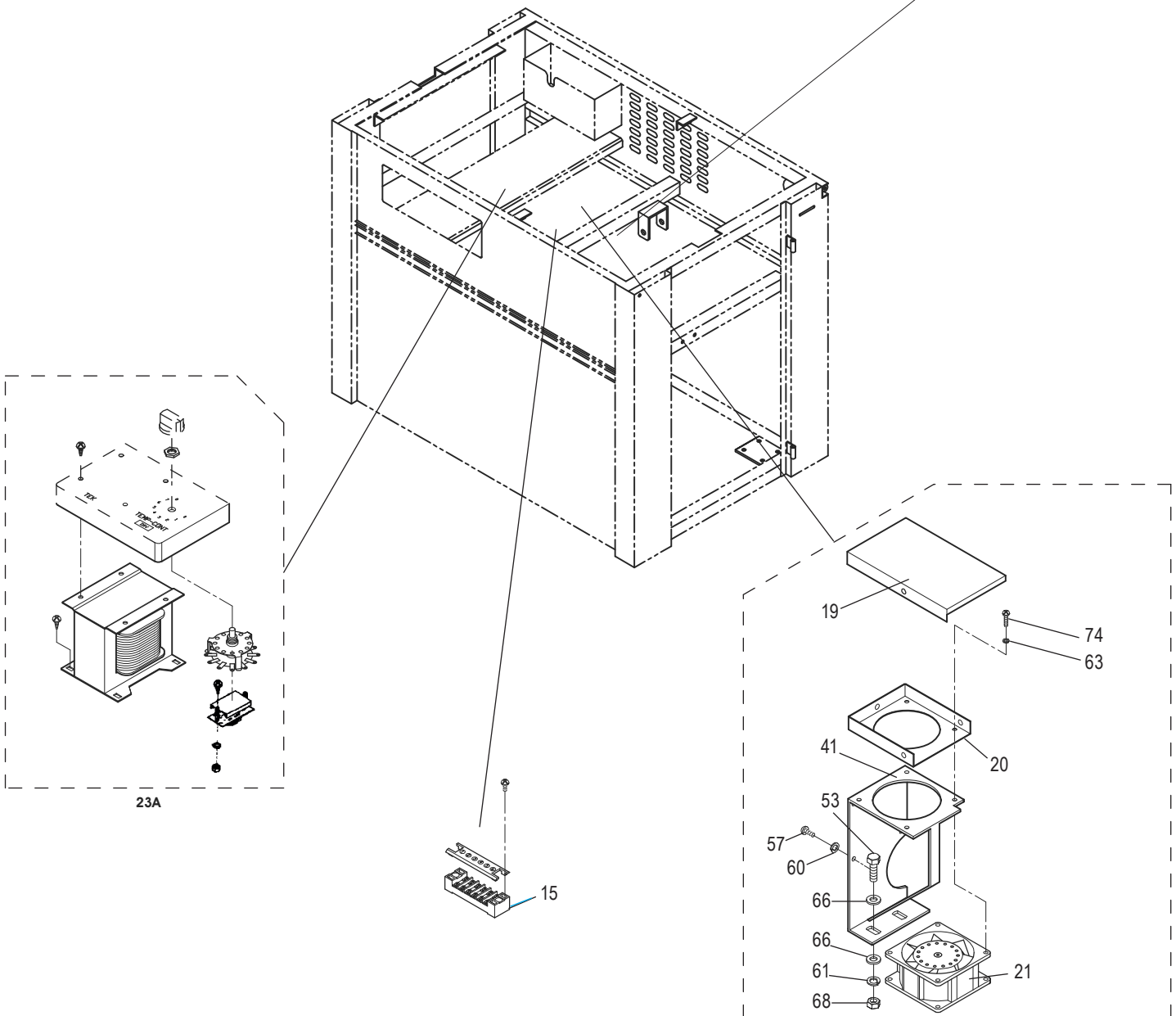
#	DESCRIPTION	QTÉ	RÉF. ULINE	RÉF. DU FABRICANT
228	Courroie en V (M-21)	2	H-959-TA228	TA-228
229	Collet	1	H-959-TA229	TA-229
236	Assemblage du tampon en caoutchouc	1	H-959-TA236	TA-236
238	Anneau de retenue (E-3)	1	H-959-TA238	TA-238
239	Support d'outil de coupe	1	H-959-TA239	TA-239
240	Boulon hexagonal de M5 x 16 mm	4	H-959-M5X16	HBS0516
241	Entretoise	3	-----	TA-241
244	Ensemble de vis à tête hexagonale de M5 x 6 mm	2	H-959HBS0506	HBS0506
245	Ensemble de vis à tête hexagonale de M6 x 6 mm	2	H-959-M6X6	HSS0606G
246	Rondelle plate (M6, ensemble de 50)	18	H-959-PW06	PW06C
247	Écrou hexagonal de M6	6	H-959-HN06	HN06
248	Écrou hexagonal de M4	1	H-959-HN04	HN04
249	Rondelle de blocage de M4	4	H-959-SW04	SW04
250	Rondelle de blocage de M5	5	H-959-SW05	SW05
251	Rondelle plate de M5	2	H-959-PW05	PW05
252	Boulon hexagonal de M5 x 25 mm	1	H-959-HB0525	HBS0525H
253	Écrou hexagonal de M5	2	H-959-HN05	HN05
254	Rondelle de blocage de M8	5	H-959-SW08	SW08
255	Écrou hexagonal de M3	1	-----	HN03
256	Rondelle plate de M6	2	H-959-PW06A	PW06A
258	Condensateur de démarrage	1	H-959-TF046	TF-046
259	Microcontact (LS-1, LS-3)	2	H-959-TF006	TF-006
260	Plaque signalétique (LS-3)	1	-----	LA-50082
261	Plaque signalétique (LS-1)	1	H-959LA50080	LA-50080
262	Rondelle de blocage de M3	3	-----	SW03
263	Plaque signalétique (SOL-2)	1	H-959SOL2Q	LA-50084
264	Varistance	1	H-959-TF071	TF-071
265	Rondelle plate de M8	4	-----	PW08C

ULINE H-959
CERCLEUSE POUR
FEUILLARD EN
POLYPROPYLENE

1 800 295-5510
 uline.com



SCHEMA DES PIÈCES ÉLECTRIQUES



ULINE H-959
CERCLEUSE POUR
FEUILLARD EN
POLYPROPYLENE

1 800 295-5510
 uline.com

LISTE DES PIÈCES ÉLECTRIQUES

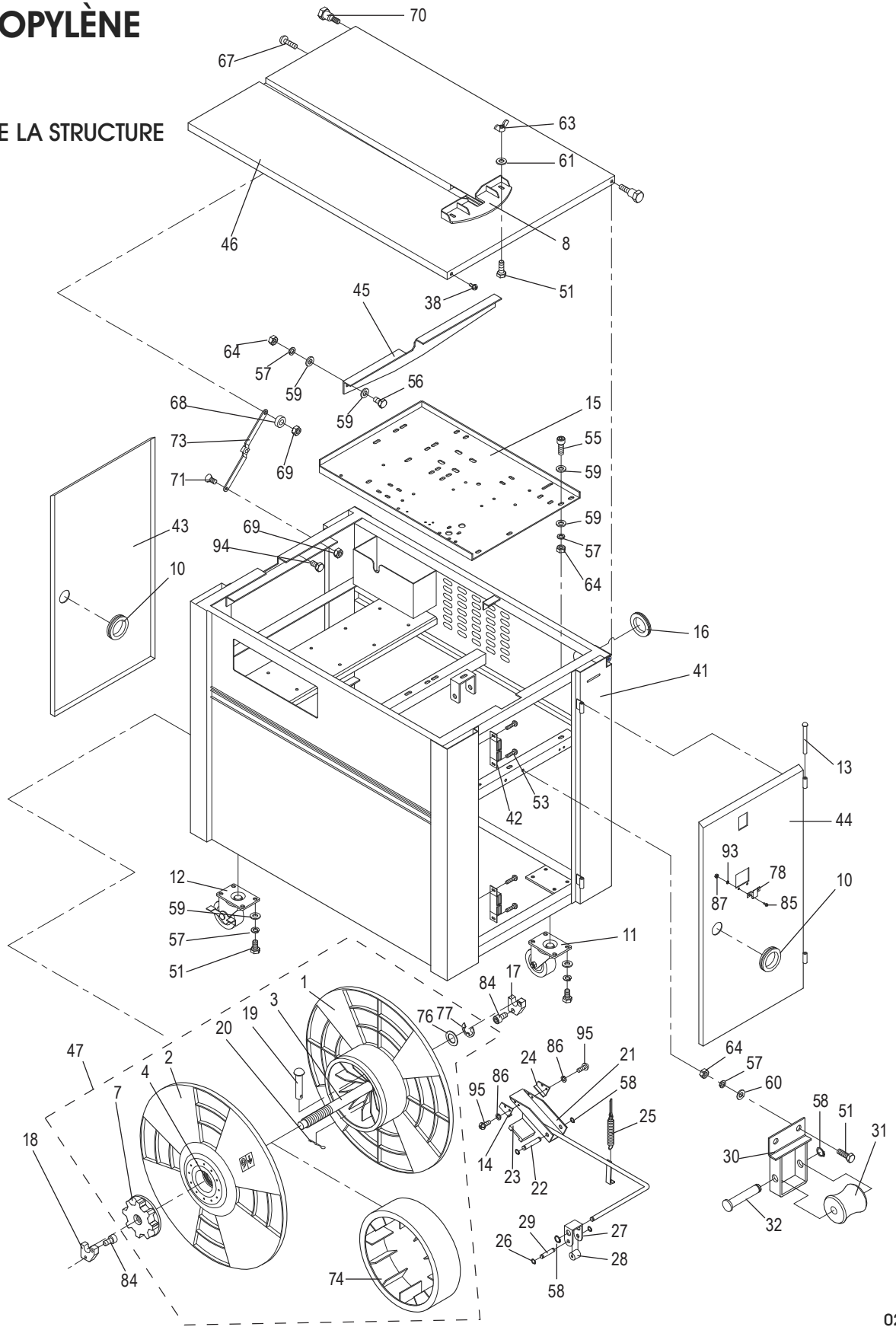
#	DESCRIPTION	QTÉ	RÉF. ULINE	RÉF. DU FABRICANT
5	Plaque d'interrupteur de sécurité	1	-----	TF-005
15	Support de borne	1	H-959-15Q	TF-015
18	Interrupteur de fin de course, sécurité	1	H-959-TF018	TF-018
19	Plaque adiabatique	1	H-959-TF019	TF-019
20	Couvercle de ventilateur	1	H-959-FC	TF-020
21	Ventilateur (110 V)	1	H-959-TF021	TF-021
23A	Assemblage de transformateur et élément chauffant (110 V)	1	H-959-TF023A	TF-023A
31	Couvercle de l'interrupteur	1	H-959-TF031	TF-031
41	Support de ventilateur	1	-----	TJ-022
53	Boulon hexagonal de M6 x 20 mm	2	H-959-HBM6	HBS0620
55	Vis à métaux de M4 X 25 mm	2	H-959-S0425	PMS0425
57	Vis à métaux de M4 X 10 mm	8	H-959-TB196	PMS0410
60	Rondelle de blocage de M4	8	H-959-SW04	SW04
61	Rondelle de blocage de M6	2	H-959-SW06	SW06
63	Rondelle de blocage de M5	6	H-959-SW05	SW05
66	Rondelle plate de M6, ensemble de 50)	4	H-959-PW06	PW06C
68	Écrou hexagonal de M6 mm	2	H-959-HN06	HN06
70	Écrou hexagonal de M4 mm	2	H-959-TF071	HN04
74	Vis à métaux de M5 x 8 mm	2	-----	TMS0508
76	Rondelle plate de M4	4	H-959-PW04	PW04

ULINE H-959

CERCLEUSE POUR FEUILLARD EN POLYPROPYLENE

1 800 295-5510
uline.com

SCHEMA DE LA STRUCTURE



ULINE H-959
CERCLEUSE POUR
FEUILLARD EN
POLYPROPYLENE

1 800 295-5510
 uline.com

LISTE DES PIÈCES DE LA STRUCTURE

#	DESCRIPTION	QTÉ	RÉF. ULINE	RÉF. DU FABRICANT
1	Bride intérieure	1	H-959-TE001	TE-001
2	Bride extérieure	1	H-959-TC014	TC-014
3	Arbre	1	H-959-TE003	TE-003
4	Protecteur	1	H-959-TC015	TC-015
7	Poignée à écrou pour bobine	1	H-959-TC016	TC-016
8	Guide d'emballage	1	H-959-TC004	TC-004
10	Passe-fil	2	H-959-TE010	TE-010
11	Roulette	2	H-959-TE011	TE-011
12	Roulette avec frein	2	H-959-TE012	TE-012
13	Goupille d'arrêt	4	H-959-LPIN	TE-013
14	Support de frein (droit)	1	H-959-TE014	TE-014
15	Support	1	-----	TC-002
16	Passe-fil	1	H-959TC-008	TC-008
17	Douille (gauche)	1	H-959-TE017	TE-017
18	Douille (droite)	1	H-959-TE018	TE-018
19	Tige	1	H-959-TC020	TC-020
20	Goupille fendue	1	H-959-TC021	TC-021
21	Ensemble de frein	1	H-959-TE021	TE-021
22	Tige	1	-----	TE-022
23	Tampon de frein en caoutchouc	1	H-959-TE023	TE-023
24	Support de frein (gauche)	1	H-959-TE024	TE-024
25	Ressort	1	H-959-TE025	TE-025
26	Anneau de retenue	2	H-959-SNAP	ER04
27	Support de rouleau	1	H-959-TE027	TE-027
28	Rouleau	1	H-959-TE028	TE-028
29	Tige	1	H-959-TE029	TE-029
30	Support de guide de ruban	1	H-959-TE030	TE-030
31	Rouleau	1	H-959-TC049	TC-049
32	Arbre	1	H-959-TC048	TC-048
41	Cadre	1	-----	TE-041
42	Loqueteau à aimant	4	H-959-TE042	TE-042
43	Porte gauche	1	H-959-LDOOR	TE-043
44	Porte droite	1	H-959-RDOOR	TE-044
45	Support	1	-----	TE-045
46	Plaque supérieure	1	H-959-TC043	TC-043
47	Ensemble du bobine	1	H-959-TE001A	TE-001A
51	Boulon hexagonal de M6 x 12 mm	12	H-959-HB0612	HB0612
53	Vis à métaux de M3 x 5 mm	8	H-959-0305Q	TMS0305

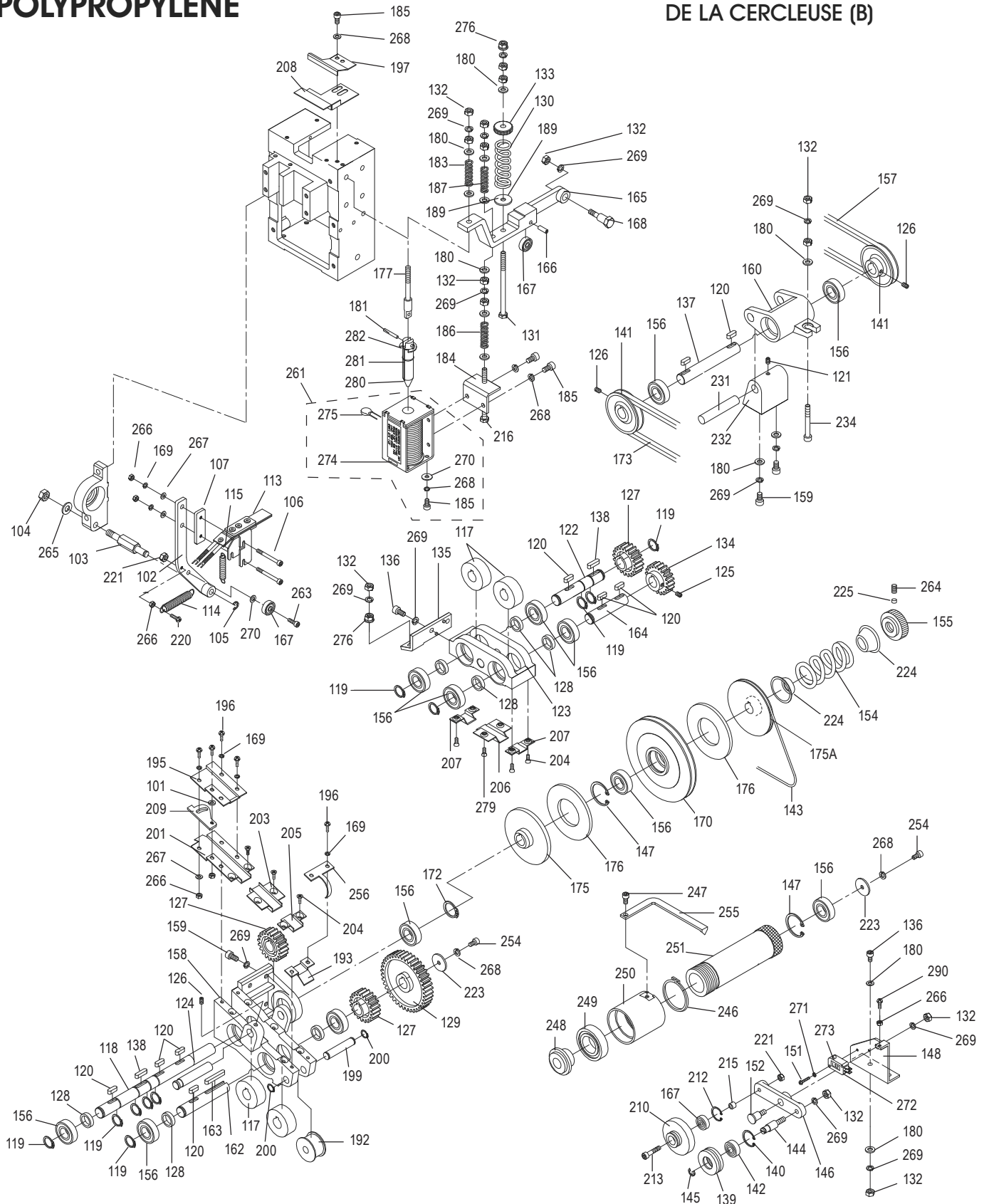
ULINE H-959
CERCLEUSE POUR
FEUILLARD EN
POLYPROPYLENE

1 800 295-5510
 uline.com

LISTE DES PIÈCES DE LA STRUCTURE

#	DESCRIPTION	QTÉ	RÉF. ULINE	RÉF. DU FABRICANT
55	Vis à métaux à boulon hexagonal de M6 x 20 mm	14	H-959-HBM6	HBS0620
56	Vis à métaux à boulon hexagonal de M6 x 20 mm	2	H-959-HBM6	HB0620
57	Rondelle de blocage de M6	20	H-959-SW06	SW06
58	Anneau de retenue (S-10)	5	H-959-SR10	SR10
59	Rondelle plate – C (M6, ensemble de 50)	50	H-959-PW06	PW06C
60	Rondelle plate A	2	H-959-PW06A	PW06A
61	Rondelle plate B	2	H-959-PW06BQ	PW06B
63	Écrou à oreilles de M6	2	H-959-WN06A	WN06
64	Écrou hexagonal de M6	8	H-959-HN06	HN06
65	Plaque d'interrupteur de sécurité	2	-----	TE-065
67	Vis à métaux de M6 X 12 mm	1	H-959-0612Q	TMS0612
68	Collet	1	H-959-TC068	TC-068
69	Écrou freiné de M6	2	H-959-NTE06Q	NTE06
70	Arbre	2	H-959-TC070	TC-070
71	Vis à métaux de M6 X 12 mm	1	H-959-FMS612	FMS0612
73	Charnière	1	H-959-HINGE	T5-2-10170
74	Tambour central de 230 mm)	1	H-959-TC074	TC-074
75	Tambour central de 280 mm) (facultatif, non illustré)	1	H-959-TC075	TC-075
76	Rondelle	1	H-959-TC076	TC-076
77	Anneau de retenue (E-19)	1	H-959-ER19	ER19
78	Guide	1	H-959-TB205	TB-205
84	Boulon hexagonal de M6 x 12 mm	4	H-959-HB0612	HB0612
85	Vis à métaux de M4 x 8 mm	2	H-959-MSCREW	TMS0408
86	Rondelle de blocage de M4	2	H-959-SW04	SW04
87	Écrou hexagonal de M4	6	H-959-HN04	HN04
92	Vis à métaux de M4 X 25 mm	4	H-959-S0425	PMS0425
93	Rondelle plate de M4	6	H-959-PW04	PW04
94	Boulon hexagonal de M6 x 10 mm	1	H-959HB06100	HB0610
95	Vis à métaux de M4 x 8 mm	2	H-959PMS0408	PMS0408

**SCHÉMA DE L'ASSEMBLAGE
DE LA CERCLEUSE (B)**



ULINE H-959
CERCLEUSE POUR
FEUILLARD EN
POLYPROPYLENE

1 800 295-5510
 uline.com

LISTE DES PIÈCES DE L'ASSEMBLAGE DE LA CERCLEUSE (B)

#	DESCRIPTION	QTÉ	RÉF. ULINE	RÉF. DU FABRICANT
101	Rondelle plate de M4	2	H-959-PW04	PW04
102	Bras d'élément chauffant	1	H-959-TB102	TB-102
103	Tige	1	H-959-TB103	TB-103
104	Écrou hexagonal de M8	1	H-959-HN08	HN08
105	Anneau de retenue (E-6)	1	H-959-ER06	ER06
106	Boulon hexagonal de M4 x 40 mm	2	H-959-M4X40	HBS0440H
107	Plaque latérale	1	H-959-TB107	TB-107
113	Élément chauffant	1	H-959-TB113	TB-113
114	Ressort de rappel	1	H-959-TB114	TB-114
115	Ressort	1	H-959-TB115	TB-115
117	Rouleau	4	H-959-TB117	TB-117
118	Arbre pour réglage de la tension extérieure	1	H-959-TB118A	TB-118A
119	Anneau de butée (S-15)	9	H-959-SR15	SR-15
120	Clé de 5 x 5 x 15	9	H-959-KYA05	KYA050515
121	Ensemble de vis à tête hexagonale de M5 x 6 mm	2	H-959HBS0506	HSS0506G
122	Arbre	1	-----	TB-122
123	Support	1	-----	TB-123
124	Tige	1	-----	TB-124
125	Ensemble de vis à tête hexagonale (M6 x 6)	1	H-959-M6X6	HSS0606G
126	Ensemble de vis à tête hexagonale (M5 x 8)	3	H-959-M5X8	HSS0508G
127	Engrenage	3	H-959-TB127	TB-127
128	Collet	7	H-959-TB128	TB-128
129	Engrenage d'alimentation	1	-----	TB-129
130	Ressort	1	H-959-TB130	TB-130
131	Boulon hexagonal de M6 x 100 mm	1	H-959HB06100	HB06100
132	Écrou hexagonal de M6	16	H-959-HN06	HN06
133	Écrou	1	H-959-TB133	TB-133
134	Engrenage	1	H-959-TB134	TB-134
135	Bras de support	1	-----	TB-135
136	Boulon hexagonal de M6 x 16 mm	4	-----	-----
137	Arbre	1	H-959-TB137	TB-137
138	Clé de 5 x 5 x 20	2	H-959-TB138	KYA050520
139	Poulie	1	H-959-TB139	TB-139
140	Anneau de butée (S-22)	1	-----	RR22
141	Poulie	1	H-959-TB141	TB-141
142	Roulement, 608ZZ	1	H-959-608ZZ	BR608ZZ
143	Courroie ronde	1	H-959-TB143	TB-143

ULINE H-959
CERCLEUSE POUR
FEUILLARD EN
POLYPROPYLENE

1 800 295-5510
 uline.com

LISTE DES PIÈCES DE L'ASSEMBLAGE DE LA CERCLEUSE (B) SUITE

#	DESCRIPTION	QTÉ	RÉF. ULINE	RÉF. DU FABRICANT
144	Arbre	1	-----	TB-144
145	Anneau de retenue (E-7)	1	H-959-ER07S	ER07S
146	Bras	1	-----	TB-146
147	Anneau de retenue (H-32)	2	H-959-RR32	RR32
148	Support	1	H-959-TB148	TB-148
151	Vis à métaux de M3 x 15 mm	2	H-959-0315	PMS0315
152	Arbre	1	H-959-TB152	TB-152
154	Ressort	1	H-959-TB154	TB-154
155	Écrou	1	-----	TB-155
156	Roulement, 6002ZZ	12	H-959-6002ZZ	BR6002ZZ
157	Courroie en V (K-21)	1	H-959-TB157	TB-157
158	Support	1	-----	TB-158
159	Boulon hexagonal de M6 x 20 mm	6	H-959-HBM6	HBS0620
160	Support	1	H-959-TB160	TB-160
162	Arbre	1	-----	TB-162
163	Clé de 5 x 5 x 38	1	H-959-KY5558	KYA050538
164	Arbre	1	-----	TB-164
165	Bras de solénoïde	1	-----	TB-165
166	Cheville ressort de 5 x 20 mm	1	H-959-166Q	SP0520
167	Roulement, 635ZZ	3	H-959-TA076	BR635ZZ
168	Goupille de bras	1	H-959-APIN	TB-168
169	Rondelle de blocage de M4	6	H-959-SW04	SW04
170	Poulie	1	H-959-TB170	TB-170
172	Anneau de butée (S-15)	1	H-959-SR15	SR15
173	Courroie en V (K-19)	1	H-959-TB173	TB-173
175	Plaque	1	H-959-TB175	TB-175
175A	Plaque – Poulie à courroie ronde	1	H-959-TB175A	TB-175A
176	Disque de friction	2	H-959-TB176	TB-176
177	Arbre de tirage	1	H-959-TB177	TB-177
180	Rondelle plate de M6, (ensemble de 50)	23	H-959-PW06A	PW06A
181	Cheville ressort de 4 x 14 mm	1	H-959-SP0414	SP0414
183	Ressort	1	-----	TB-183
184	Support d'arrêt	1	-----	TB-184
185	Boulon hexagonal de M5 x 10	4	H-959HBS0510	HBS0510
186	Ressort	1	-----	TB-186
187	Ressort	1	-----	TB-187
189	Dispositif de retenue	1	H-32-TB189	TB-189
192	Rouleau	1	H-959-TB192	TB-192
193	Guide	1	H-959-TB193	TB-193

ULINE H-959
CERCLEUSE POUR
FEUILLARD EN
POLYPROPYLENE

1 800 295-5510
 uline.com

LISTE DES PIÈCES DE L'ASSEMBLAGE DE LA CERCLEUSE (B) SUITE

#	DESCRIPTION	QTÉ	RÉF. ULINE	RÉF. DU FABRICANT
195	Couvercle de sortie	1	H-959-195	TB-195
196	Vis à métaux de M4 X 10 mm	7	H-959-TB196	PMS0410
197	Guide d'entrée du feuillard (supérieur)	1	H-959-TB197	TB-197
199	Tige	1	H-959-TB199	TB-199
200	Anneau de butée (S-10)	2	H-959-SR10	SR10
201	Guide de sortie	1	H-959-201	TB-201
203	Guide	1	H-959-203	TB-203
204	Vis à métaux de M4 x 8 mm	10	H-959FMS0408	FMS0408
205	Guide	1	H-959-TB205	TB-205
206	Couvercle	1	H-959-TB206	TB-206
207	Guide	2	H-959-TB207	TB-207
208	Guide d'entrée du feuillard (inférieur)	1	H-959-TB208	TB-208
209	Plaque de réglage de largeur du feuillard	1	H-959-209	TB-209
210	Poulie	1	H-959-TB210	TB-210
212	Anneau de butée (S-19)	1	-----	RR19
213	Boulon hexagonal de M5 x 25 mm	1	H-959-HB0525	HBS0525H
215	Collet	1	-----	TB-215
216	Boulon hexagonal de M6 x 80 mm	1	-----	HBO680
220	Vis à métaux de M4 X 12 mm	2	H-959-M4X12	PMS0412
221	Écrou hexagonal de M5	2	H-959-HN05	HN05
223	Rondelle	2	H-959-TB223	TB-223
224	Coupelle d'appui du ressort	2	-----	TB-224
225	Bague	1	H-959-TB225	TB-225
231	Tige	1	H-959-TB231Q	TB-231
232	Support	1	H-959-TB232Q	TB-232
234	Boulon hexagonal de M6 x 75 mm	1	-----	HBS0665H
246	Anneau de butée	1	H-959-SR40	SR-40
247	Boulon hexagonal de M5 x 6 mm	1	H-959HBS0506	HBS0506
248	Coupelle d'appui du ressort	1	H-959-TB248	TB-248
249	Roulement, 6005ZZ	1	H-959-BR6005	BR6005ZZ
250	Tube de retenue de ressort	1	H-959-TB250	TB-250
251	Tube de réglage de tension	1	H-959-TB251	TB-251
254	Boulon hexagonal de M5 x 12 mm	2	H-959HBS0512	HBS0512
255	Bras de jauge de tension	1	H-959-TB255	TB-255
256	Guide d'alimentation	1	H-959-TB256	TB-256
261	Ensemble solénoïde (110 V)	1	H-959-TF003A	TF-003A
263	Boulon hexagonal de M5 x 16 mm	1	H-959-M5X16	HBS0516
265	Rondelle de blocage de M8	1	H-959-SW08	SW08
266	Écrou hexagonal de M4	7	H-959-HN04	HN04

ULINE H-959
CERCLEUSE POUR
FEUILLARD EN
POLYPROPYLENE

1 800 295-5510
 uline.com

LISTE DES PIÈCES DE L'ASSEMBLAGE DE LA CERCLEUSE (B) SUITE

#	DESCRIPTION	QTÉ	RÉF. ULINE	RÉF. DU FABRICANT
267	Rondelle plate de M4	3	H-959-PW04	PW04
268	Rondelle de blocage	1	H-959-SW05	SW05
269	Rondelle de blocage de M6	15	H-959-SW06	SW06
270	Rondelle plate de M5	1	H-959-PW05	PW05
271	Rondelle de blocage de M3	2	-----	SW03
272	Microcontact (LS-2)	1	H-959-TF007	TF-007
273	Plaque signalétique (LS-2)	1	H-959-LS2Q	LA-50081
274	Plaque signalétique (SOL-1)	1	H-959-SOL1Q	LA-50083
275	Varistance	1	H-959-TF071	TF-071
276	Écrou à embase de M6	2	H-959-FLG06	FLG06
279	Vis à métaux de M4 x 6 mm	2	H-959FMS0406	FMS0406
280	Arbre de solénoïde	1	H-959-TA060	TA-060
281	Bague d'étanchéité	1	H-959-TA086	TA-086
282	Anneau de butée (S-12)	1	H-959-TB172	ER12
290	Vis à métaux	1	-----	TMS0412